



HSM12

PARTS BOOK



Revision #02
Starting Serial #711239

HSMFG0917

Part #77517

Manufactured By
H&S MANUFACTURING CO., INC.

P.O. BOX 768 (715) 387-3414 FAX (715) 384-5463
MARSHFIELD, WISCONSIN 54449

CONTENTS

Instructions for Ordering Parts.	1
Figure 1 - Main Frame.	2-5
Figure 2 - Pole.	6-7
Figure 3 - Pick - Up Head.	8-11
Figure 4 - Head Merger/Motor Circuit.	12-13
Figure 5 - Merger/Head Lift Hydraulic	14-15
Figure 6 - Merger Extensions.	16-17
Figure 7 - 2'4'6' Extension Hydraulics	18-19
Figure 8 - Merger Wiring.	20-21
Figure 9 - Merger Control Box.	22-23
Figure 10 - Merger Pickup Hydraulic Cylinder 2 X 8.	24
Figure 11 - Merger Pole Hydraulic Cylinder.	25
Figure 12 - Merger Optional Extension Hydraulic Cylinder.	26
Figure 13 - Optional Windrow Inverter	27
Figure 14 - Optional Cross Conveyor Stop Kit.	28-29
Figure 15 - Merger Optional Wet Kit	30-33
Figure 16 - Extension Shut-off.	34-35
Parts Notes	36

INSTRUCTIONS FOR ORDERING PARTS

All service parts should be ordered through your authorized H&S dealer. They will be able to give you faster service if you will provide them with the following

1. Model & Serial number is located on the right side frame behind the transport wheel.
2. All reference to left or right apply to the machine as viewed from the rear.
3. Parts should not be ordered from illustration only. Please order by complete part number.
4. If your dealer has to order parts - give shipping instructions:

VIA truck - large pieces (please specify local truck lines)

VIA United Parcel Service (include full address)

H&S MFG. CO. INC.	
MARSHFIELD, WIS.	
MOD. NO.	<input type="text"/>
SER. NO.	<input type="text"/>
DESCR.	<input type="text"/>

PLEASE RECORD NUMBERS FOR YOUR UNIT FOR QUICK REFERENCE

ABOUT IMPROVEMENTS

H&S IS CONTINUALLY STRIVING TO IMPROVE IT'S PRODUCTS

We must therefore, reserve the right to make improvements or changes whenever it becomes practical to do so without incurring any obligation to make changes or additions to the equipment previously sold.

FIGURE 1

MAIN FRAME

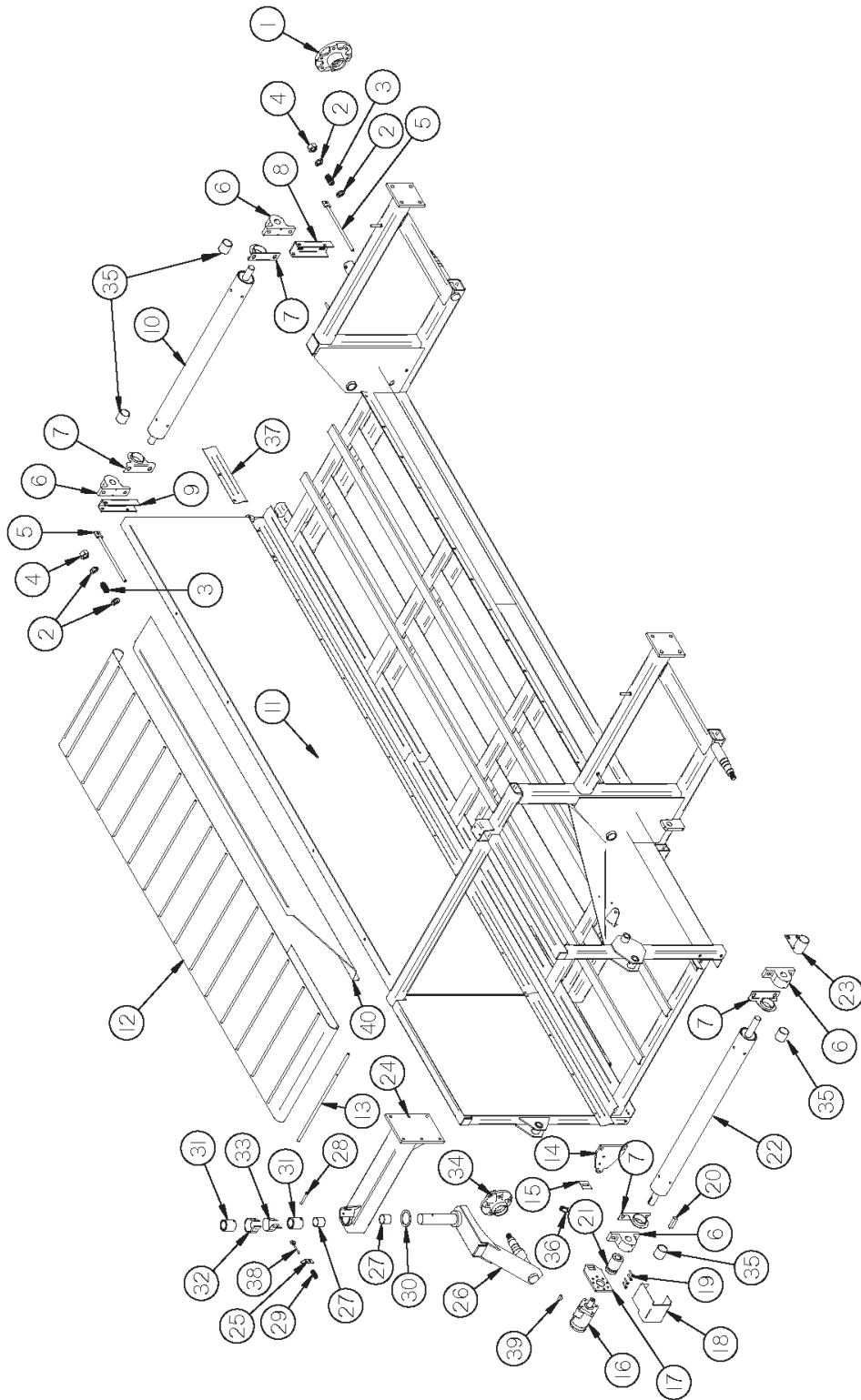


FIGURE 1

MAIN FRAME

<u>ITEM</u>	<u>PART #</u>	<u>DESCRIPTION</u>
1	RG101	HUB WITH RACES
*	RG254	HUB COMPLETE
*	12N17	SEAL
*	12N18	INNER BEARING
*	12N19	INNER RACE
*	YBSD16005	STUD BOLT
*	YNWL16005	STUD NUT
*	17G146	OUTER RACE
*	12N25	OUTER BEARING
*	YWFL28005	WASHER
*	YNSL28005	HUB NUT
*	17G144	HUB CAP
*	YPCT05020	5/32" X 1-3/4" COTTER PIN
*	UR1	9.5 L X 15 TIRE AND TUBE
*	12N24	WHEEL 15 X 8
2	YWFL16005	WASHER 1/2"
3	DWM125	SPRING-BLUE
4	YNHX16005	NUT 1/2"
5	DWM25	TIGHTENER
6	DWM132	PILLOW BLOCK BEARING
7	DWM36	ANTI-WRAP GUARD
8	SWM34	TIGHTENER ARM
9	SWM33	BACK TIGHTENER ARM
10	SWM10	CONVEYOR ROLLER
11	WM308	MAIN FRAME
12	WM301	CROSS CONVEYOR BELT
*	SWM38	CROSS CONVEYOR LACING
*	WM379	DUTCHMEN BELT 42" X 3-1/4" SINGLE
13	SWM37	LACING PIN
14	DWM51	MALE TORQUE ARM
15	DWM45	MOTOR SPACER
16	DF1	HYDRAULIC MOTOR
*	WM225	SEAL KIT
17	DWM39	TORQUE ARM
18	DWM41	MOTOR SHIELD
19	YSHS08045	CAP SCREW-COUPLER

NOTE: * MEANS NOT SHOWN

FIGURE 1

MAIN FRAME

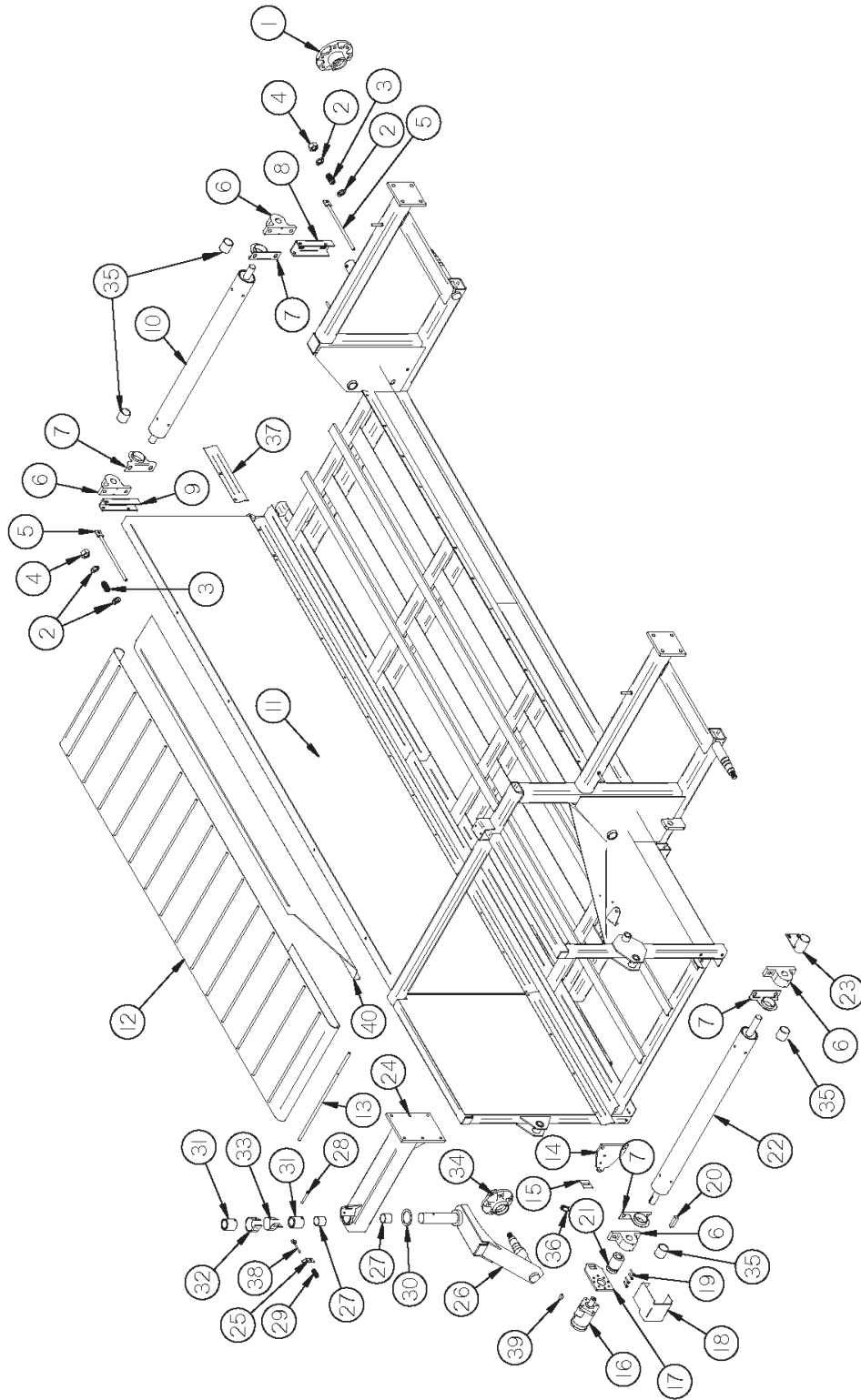


FIGURE 1

MAIN FRAME

<u>ITEM</u>	<u>PART #</u>	<u>DESCRIPTION</u>
20	G23B	KEY 5/16" X 1-3/8"
21	DWM27	COUPLER
22	SWM11	DRIVE ROLLER
23	DWM31	SHAFT SHIELD
*	WM309	SHAFT SHIELD
24	SWM3	CASTER MOUNT
25	WM211	BRAKE ANGLE
26	SWM2	CASTER
27	RG26	BUSHING, BRONZE, 2.015" ID X 2.25" OD X 2.00"
28	BFR313	ROLL PIN 5/16" X 2-3/4"
29	WM210	SPRING-RED
30	RG24	BRONZE WASHER 2"ID X 3"OD X 1/8"
31	DWM59	BRAKE BUSHING
32	WM288	BRAKE PAD
33	WM286	BRAKE BAND
34	BFR60	HUB WITH RACES
*	BFR75	HUB (COMPLETE)
*	BFR57	SEAL
*	17G145	INNER BEARING
*	17G146	INNER RACE
*	YBSD16005	STUD BOLT
*	YNWL16005	STUD NUT
*	BFR61	OUTER RACE
*	BFR62	OUTER BEARING
*	YWFL24010	WASHER
*	YNSL24010	NUT
*	BFR66	HUB CAP
*	YPCT05010	COTTER PIN
*	BFR128	TIRE 6.70 X 15 SL
*	BFR67	WHEEL 15 X 5
35	SWM30	SPACER
36	S122	CLIP PIN CABLE
37	SWM59	LEFT REAR GUARD EXTENSION
38	YBTE10040	I-BOLT
39	5B10	KEY 1/4" X 1" WOODRUFF
40	WM300	HAY DEFLECTOR

NOTE: * MEANS NOT SHOWN

FIGURE 2

POLE

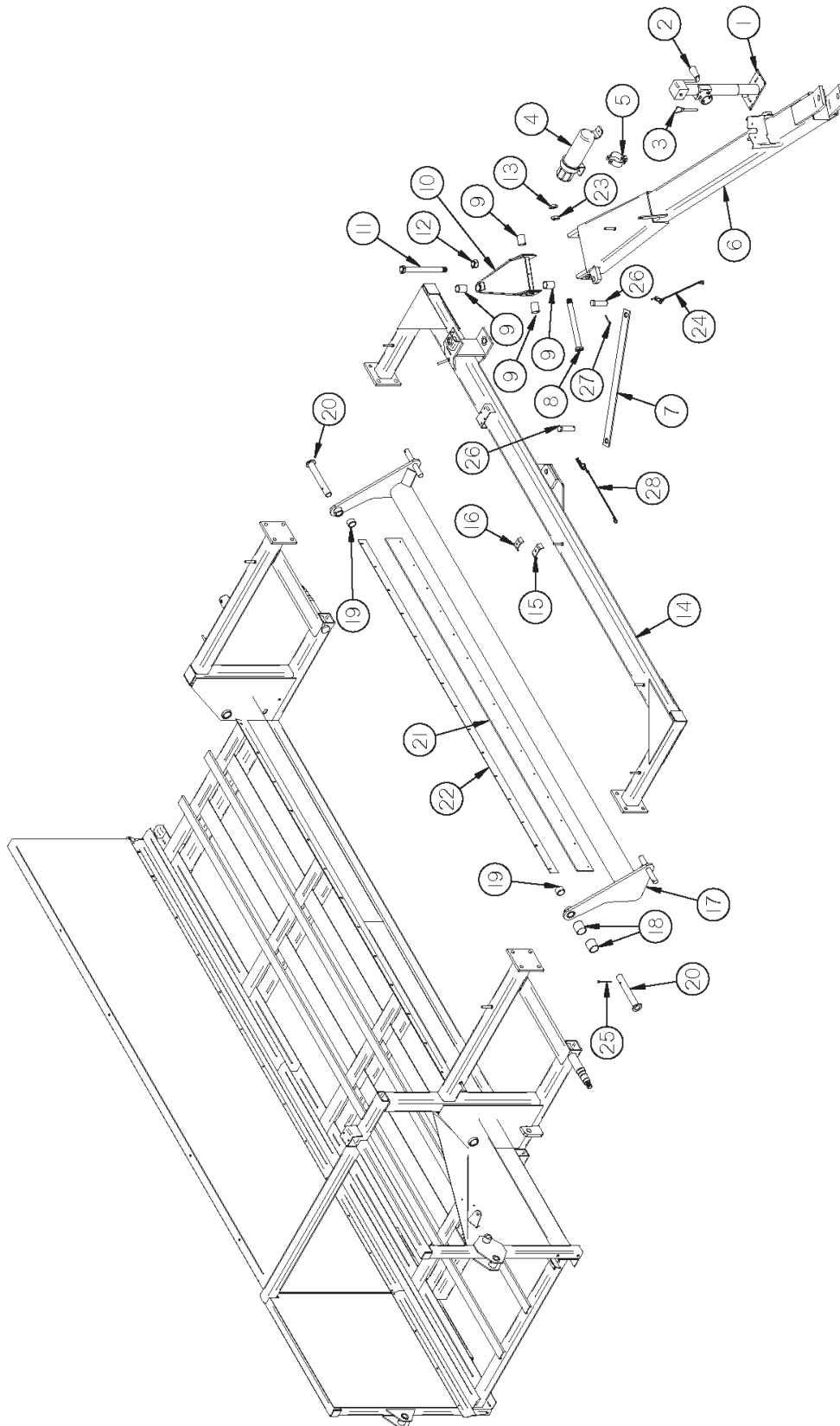


FIGURE 2

POLE

<u>ITEM</u>	<u>PART #</u>	<u>DESCRIPTION</u>
1	BFR753	JACK
2	5N78	JACK HANDLE
3	12N117	JACK PIN & CHAIN
4	S522	MANUAL HOLDER
5	S523	MANUAL CLAMP LARGE
6	WM227	POLE
7	WM129	TRANSPORT LOCK
8	WM202	POLE PIN
9	RG11	BUSHING 1" ID X 1-1/4" OD X 2"
10	WM228	STEERING PIVOT
11	WM231	QUEEN PIN
12	YNSL32005	NUT-SLOTTED 1"-14 FULL THREAD
13	YNJM32005	JAM NUT 1"-14 FULL THREAD
14	WM226	TONGUE CROSS
15	HE42	HOSE BRACKET
16	23N67	HOSE BRACKET FRONT
17	WM230	PICKUP LIFTER
18	RG132	BUSHING 1-1/4" ID X 2"
19	SWM30	SPACER
20	SWM13	PIN
21	WM235	SKIRT BELT
22	WM236	SKIRT
23	YWSI32005	1" STAR WASHER
24	WM378	LANYARD, TRANSPORT LOCK
25	YBHH08085	BOLT 1/4" X 3" GR. 5
26	YPCV32020	CLEVIS PIN 1" X 3-1/4"
27	YPCT06020	COTTER PIN
28	WM377	LANYARD, CROP ROLLER

FIGURE 3

PICK - UP HEAD

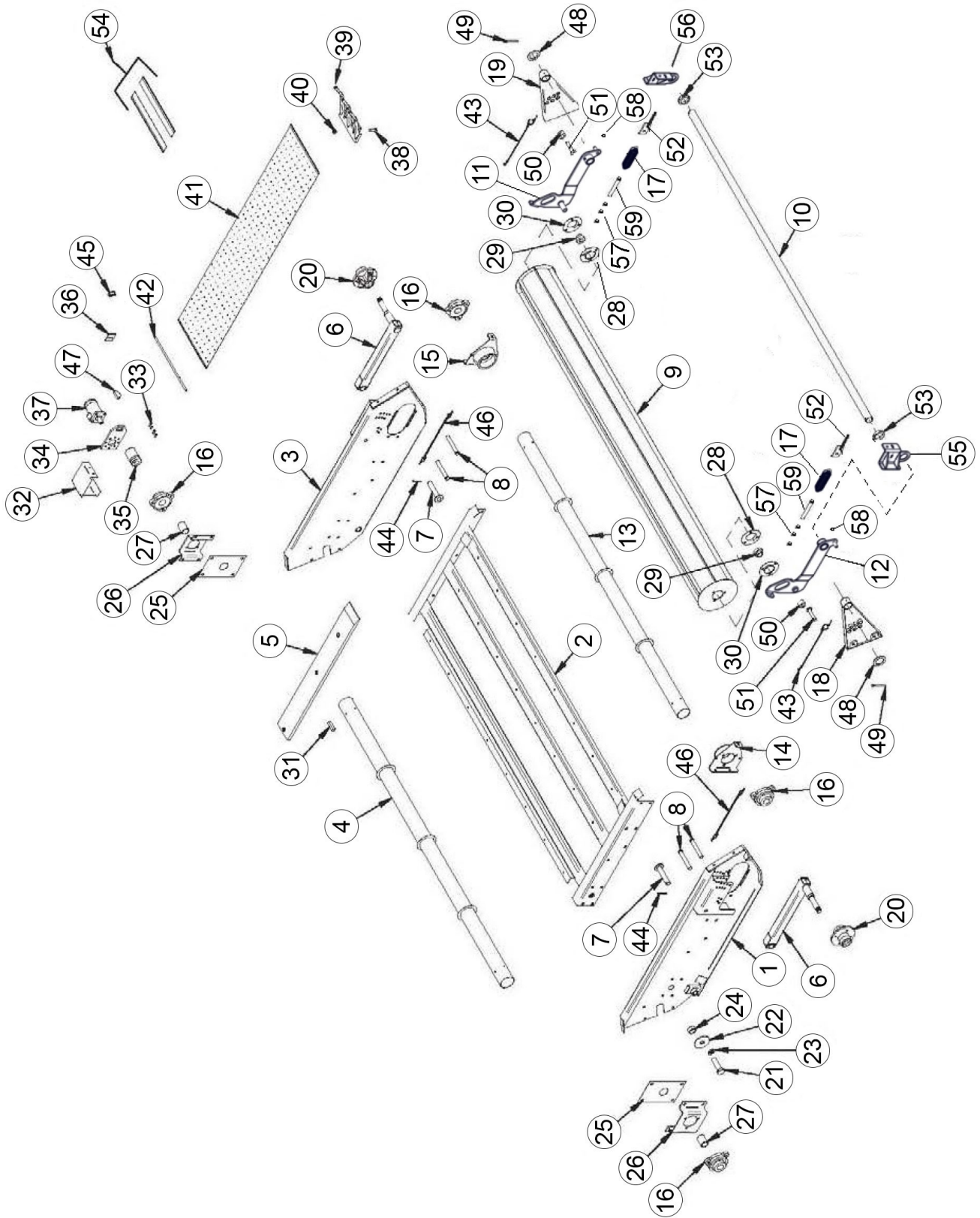


FIGURE 3

PICK - UP HEAD

<u>ITEM</u>	<u>PART #</u>	<u>DESCRIPTION</u>
1	DWM6	RIGHT HEAD PANEL
2	WM307	FLAT BELT FRAME
3	DWM5	LEFT HEAD PANEL
4	SHM22	HEAD DRIVE ROLLER
5	SWM15	SLIDES (8)
6	DWM229	GAUGE ARMS
7	DWM7	PIVOT PIN
8	YPCV16020	CLEVIS PIN 1/2" X 5"
9	WM352	12' CROP ROLLER
10	WM346	FRONT SUPPORT
11	77980	SIDE ARM WLDMT, LH
12	77981	SIDE ARM WLDMT, RH
13	SHM21	FRONT IDLER ROLLER
14	WM179	RIGHT FRONT ROLLER BRACKET
15	WM192	LEFT FRONT ROLLER BRACKET
16	55660	3 BOLT PILLOW BLOCK BRG WITH LOCK COLLAR
17	75862	SPRING, EXTENSION,
18	WM350	RIGHT BRACKET
19	WM351	LEFT BRACKET
20	CAT177	HUB-COMPLETE
*	CAT135A	SEAL
*	CAT10	BEARING (2)
*	BFR275	RACE (2)
*	YBSD16005	STUD
*	YNWL16005	WHEEL NUT, 1/2" - 20 UNF
*	YNL32006	HEX NUT, SLOTTED JAM, 1"-14
*	YPCT05010	COTTER PIN
*	CAT46	HUB CAP
*	SWM17	WHEEL (2)
*	SWM18	TIRE 5.70-8 (2)
21	YBHH32005	BOLT 1" X 2-1/2" GR.5 FULL THREAD
22	WM218	WASHER
23	YWLO32005	1" LOCK WASHER
24	WM183	PIVOT BUSHING
25	WM180	SIDE PANEL SLOT PLATE

NOTE: * MEANS NOT SHOWN

FIGURE 3

PICK - UP HEAD

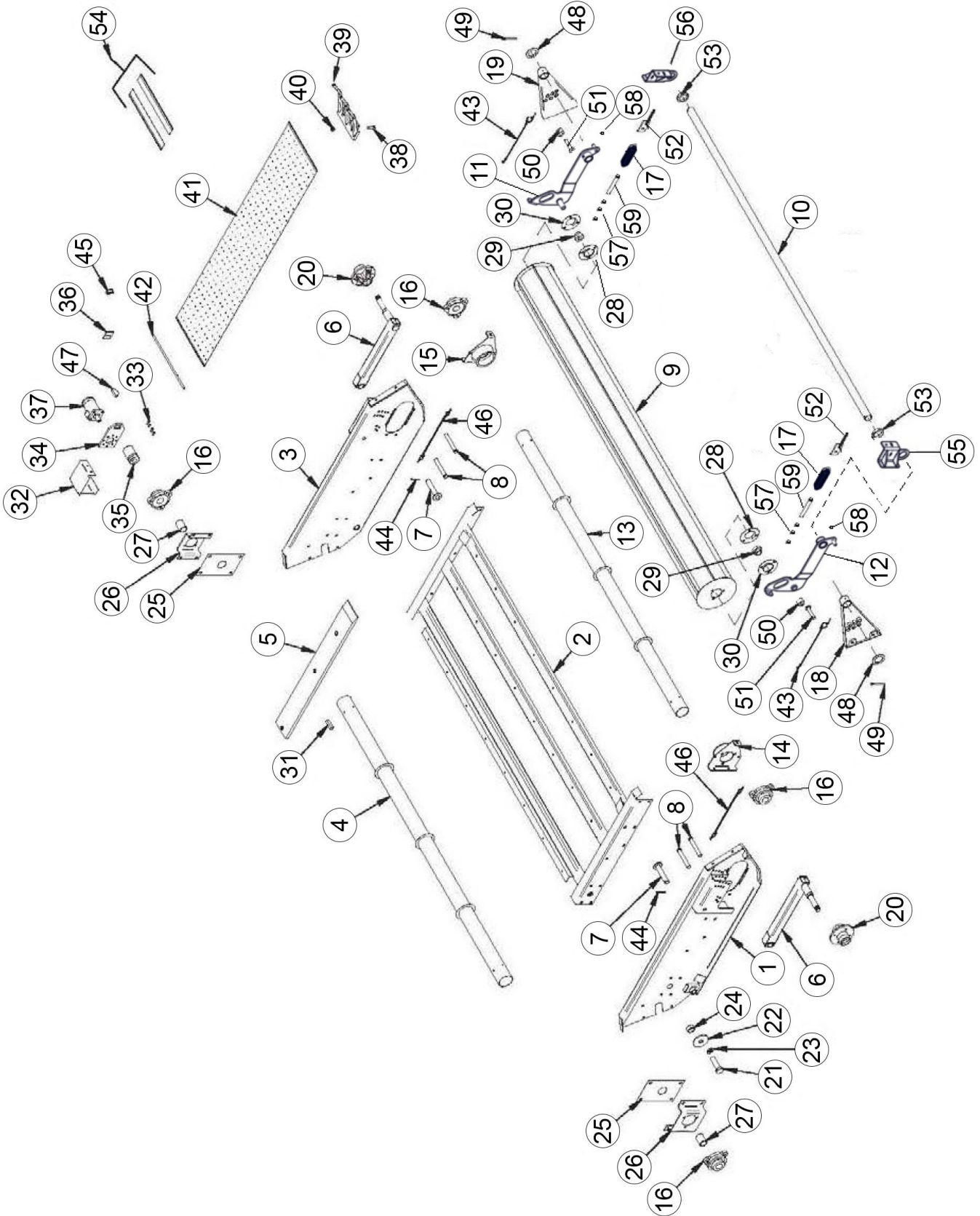


FIGURE 3

PICK - UP HEAD

<u>ITEM</u>	<u>PART #</u>	<u>DESCRIPTION</u>
26	SHM12	BEARING BRACKET RH
27	SHM23	SPACER
28	F14	FLANGE
29	12N122	1-1/4" BEARING WITH LOCK COLLAR
30	F114A	FLANGE (45° ZERK)
31	G23B	KEY 5/16" X 1-3/8"
32	DWM40	HEAD SHIELD
33	YSHS08045	CAP SCREW-COUPLER
34	DWM39	HYDRAULIC MOTOR MOUNT
35	DWM27	COUPLER
36	DWM45	MOTOR SPACER
37	DWM84	HYDRAULIC MOTOR
*	WM225	SEAL KIT
38	YBEV08005	1/4" X 3/4" ELEVATOR BOLTS (780)
39	SWM1	PICKUP TEETH (390)
40	YNLK08005	1/4" KEPS LOCK NUTS (780)
41	SWM56	PICKUP BELTS - ONLY
*	SWM57	COMPLETE BELT W/ TEETH
42	SWM41	LACING PIN
43	SHM12	BEARING BRACKET LH
44	YPCT06020	3/16" X 2" COTTER PIN
45	YPLY08010	LYNCH PIN, 1/4" X 1-1/2"
46	HD225	LANYARD, HITCH
47	5B10	KEY 1/4" X 1" WOODRUFF
48	DWM227	WIND GUARD WASHER
49	YPCT08010	COTTER PIN 1/4" X 2-1/2"
50	WM353	POLY BUMPER
51	WM354	ADJUSTMENT PIN
52	12V78	TIGHTENER BRACKET
53	WM347	COLLAR
54	SWM64	REPAIR DUTCHMAN KIT
*	SWM63	DUTCHMAN ASSEMBLY
55	77984	SPRING TIGHTENER BRACKET RIGHT
56	77988	SPRING TIGHTENER BRACKET LEFT
57	YNHX16005	NUT, HEX, 1/2-13, NA, A, ZC
58	G89	STRAIGHT ZERK 1/4-28X90
59	YBCR16054	BOLT, CARR, 1/2-13 X 6.00, GR5, ZC

NOTE: * MEANS NOT SHOWN

FIGURE 4
HEAD MERGER/MOTOR CIRCUIT

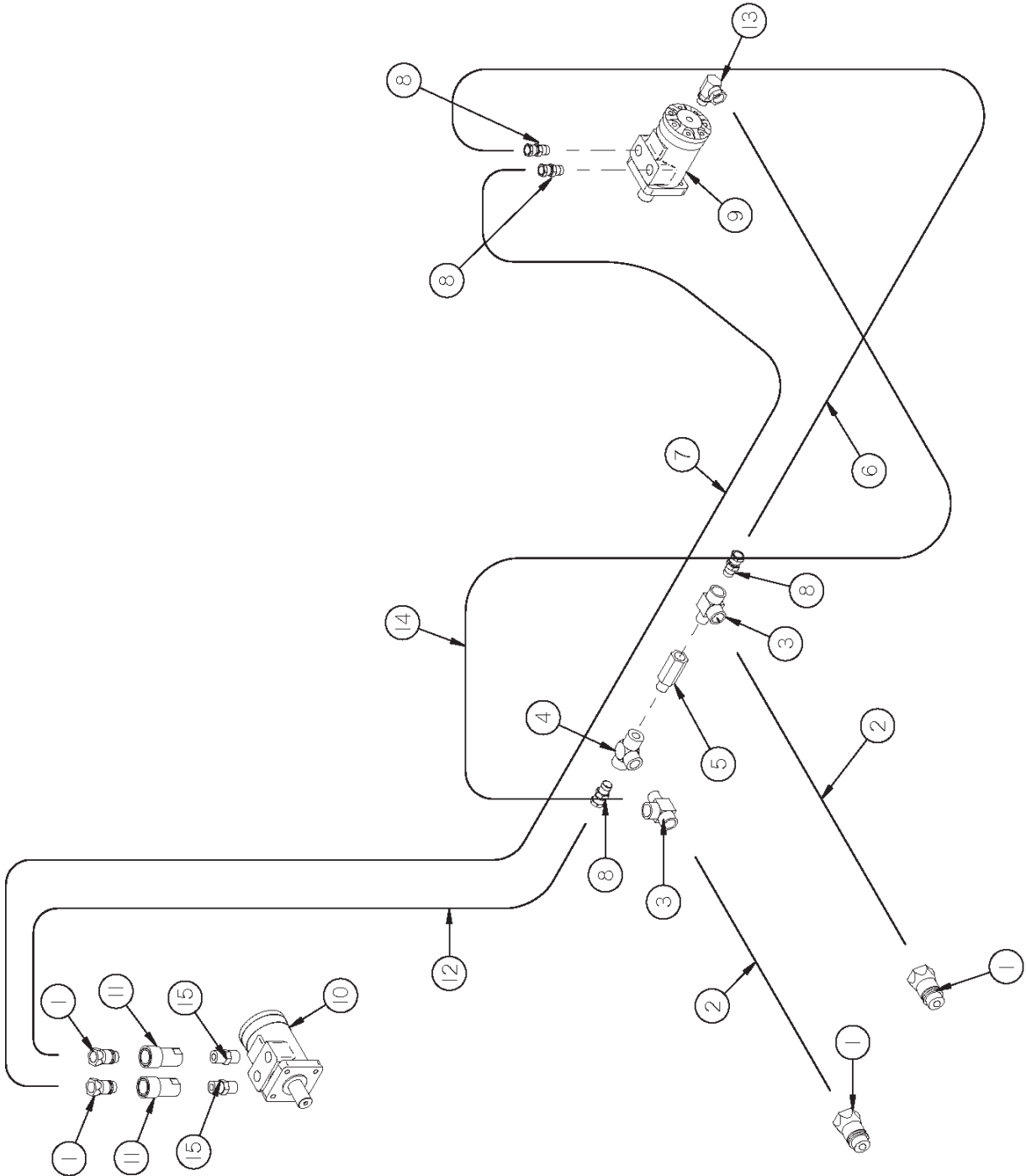


FIGURE 4

HEAD MERGER/MOTOR CIRCUIT

<u>ITEM</u>	<u>PART #</u>	<u>DESCRIPTION</u>
1	DWM205	MALE COUPLER
2	WM259	HOSE 1/2" X 164"
3	16SV352	1/2" SERVICE TEE
4	DF8	1/2" TEE
5	DF18	1/2" CHECK VALVE
6	WM255	HOSE 1/2" X 84"
7	WM312	HOSE 1/2" X 394"
8	MA12	1/2" MALE ADAPTER UNION
9	DWM84	HYDRAULIC MOTOR
*	WM225	SEAL KIT
10	DF1	HYDRAULIC MOTOR
11	DWM206	FEMALE COUPLER
12	WM313	HOSE 1/2" X 302"
13	DWM119	O-RING ADAPTER
14	WM271	HOSE 1/4" X 102"
15	WM141	1/2" NIPPLE NUT

NOTE: * MEANS NOT SHOWN

FIGURE 5

MERGER/HEAD LIFT HYDRAULICS

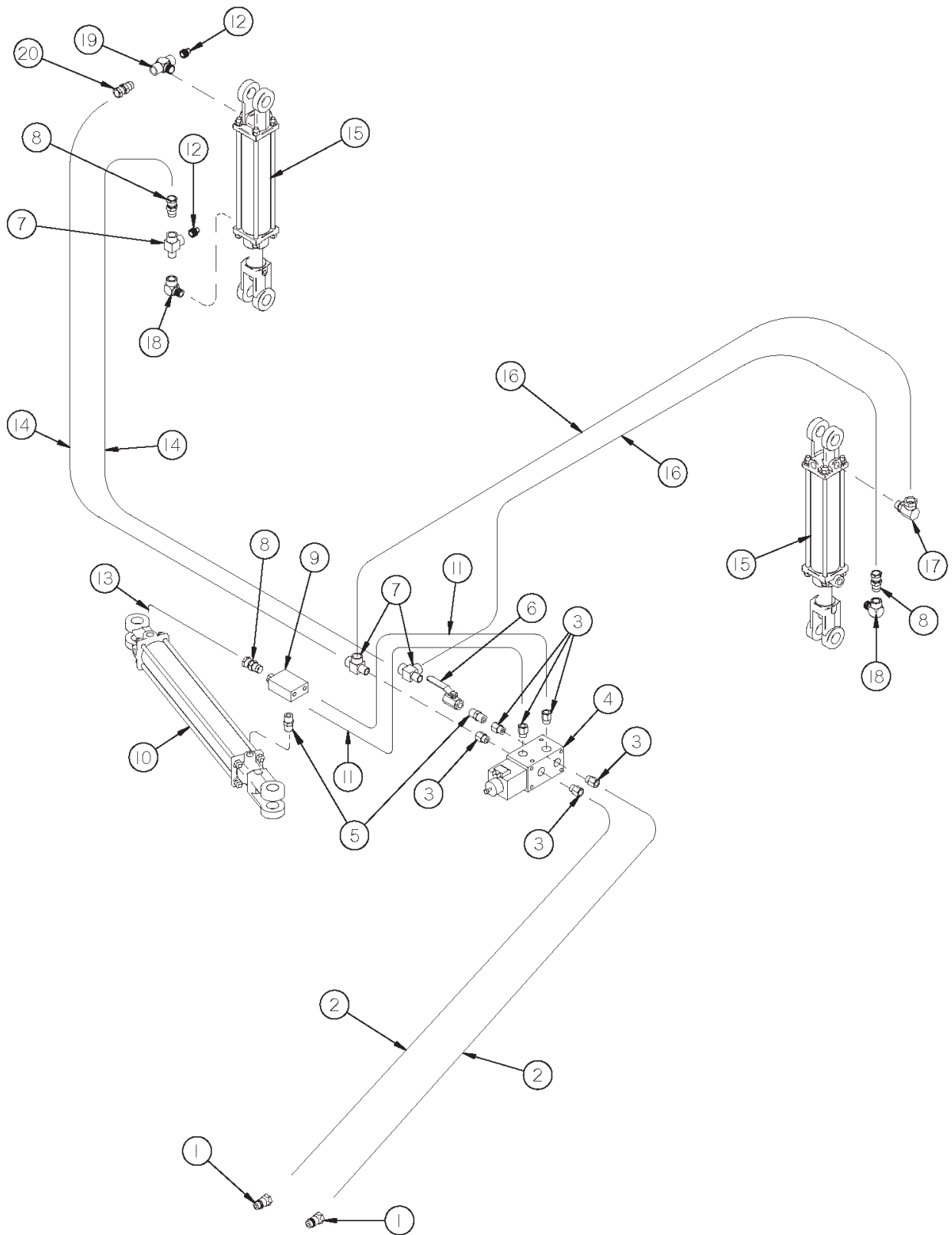


FIGURE 5

MERGER/HEAD LIFT HYDRAULICS

<u>ITEM</u>	<u>PART #</u>	<u>DESCRIPTION</u>
1	DWM205	MALE COUPLER
2	WM258	HOSE 1/4" X 164"
3	WM148	FEMALE ADAPTERS
4	FR81	VALVE
*	WM325	SOLENOID
5	BFR188	3/8" NIPPLE NUT
6	16SV338	3/8" BALL VALVE
7	23N116	3/8" SERVICE TEE
8	T244	ADAPTER UNION W/ .042" ORIFICE
*	BFR122	ADAPTER UNION (THREADED)
*	DWM250	ORIFICE .042
9	WM176	POLE LOCK VALVE
10	56001	2" X 16" CYLINDER
11	WM260	HOSE 1/4" X 24"
12	WM147	PIPE PLUG 3/8"
13	BFR315	HOSE 1/4" X 20"
14	WM315	1/4 X 175" - 3/8 MP & 3/8 MP
15	55999	2" X 8" HYDRAULIC CYLINDER
16	WM314	1/4 X 108" - 3/8 MP & 3/8 MP
17	DWM110	3/8" STREET ELBOW W/90 DEGREE SWIVEL
18	23N234	3/8" STREET ELBOW
19	WM146	3/8" MALE/ FEMALE TEE
20	DWM233	3/8" ADAPTER UNION (UN-THREADED)

NOTE: * MEANS NOT SHOWN

FIGURE 6

MERGER EXTENSIONS

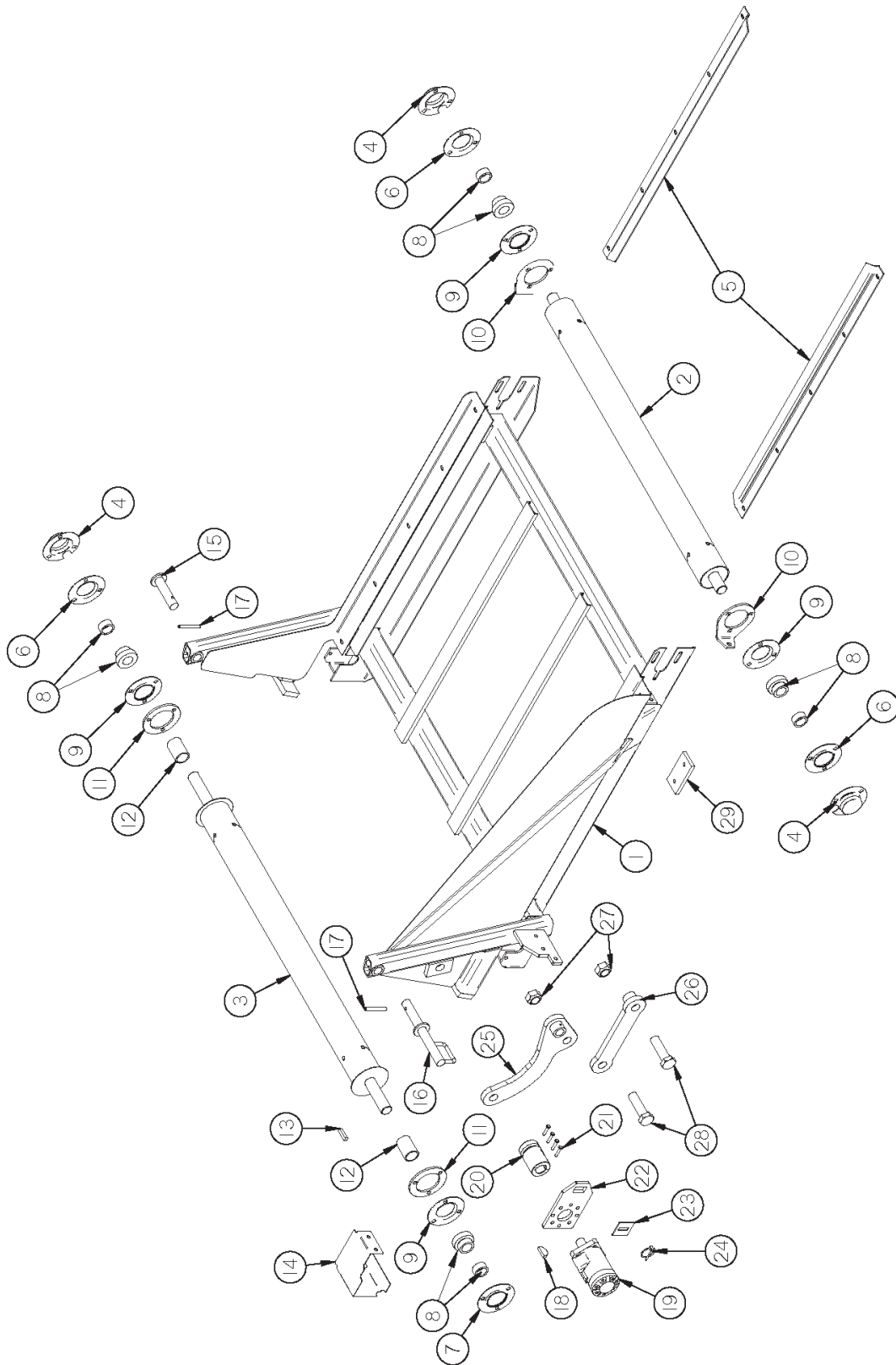


FIGURE 6

MERGER EXTENSIONS

<u>ITEM</u>	<u>2' EXT</u>	<u>4' EXT</u>	<u>6' EXT</u>	<u>DESCRIPTION</u>
1	WM316	WM320	WM321	FRAME
2	WM244			TIGHTENER ROLLER
3	WM243			DRIVE ROLLER
4	77321			BEARING SHIELD
5	WM272	WM273	WM274	BELT GUARD
*	WM252	WM253	WM254	BELT
*	SWM37			LACING PIN
*	SWM38			LACING- CROSS CONVEYOR
6	F114			FLANGE W/ STRAIGHT ZERK
7	F114A			FLANGE W/ 45° ZERK
8	12N122			BEARING
9	F14			FLANGE
10	WM250			FLANGE TIGHTENER
11	23N174			FLANGE SPACER
12	WM136			EXT. PVC SHIELD
13	WM121			SQUARE KEY 5/16 X 1
14	WM319			MOTOR SHIELD
15	WM245			EXTENSION PIVOT PIN
16	WM248			EXTENSION PIVOT PIN FRONT
17	YPEX10015			EXPANSION PIN, 5/16 X 1-3/4
18	5B10			WOODRUFF KEY 1/4 X 1
19	DF1			HYDRAULIC MOTOR
*	WM225			SEAL KIT
20	DWM27			COUPLER
21	YSHS08045			SOCKET HEAD CAP SCREW
22	DWM39			TORQUE ARM
23	DWM45			MOTOR SPACER
24	YPLY08011			LYNCH PIN, 1/4 X 1-9/16
25	WM317			LONG LINK
26	WM318			SHORT LINK
27	YNL32005			NUT TOP LOCK, 1 G2
28	YBHH32010			BOLT HEX 1 X 3-1/2 G5
29	WM251			RUBBER BUMPER

NOTE: * MEANS NOT SHOWN

FIGURE 7
2'4'6' EXTENSION HYDRAULICS

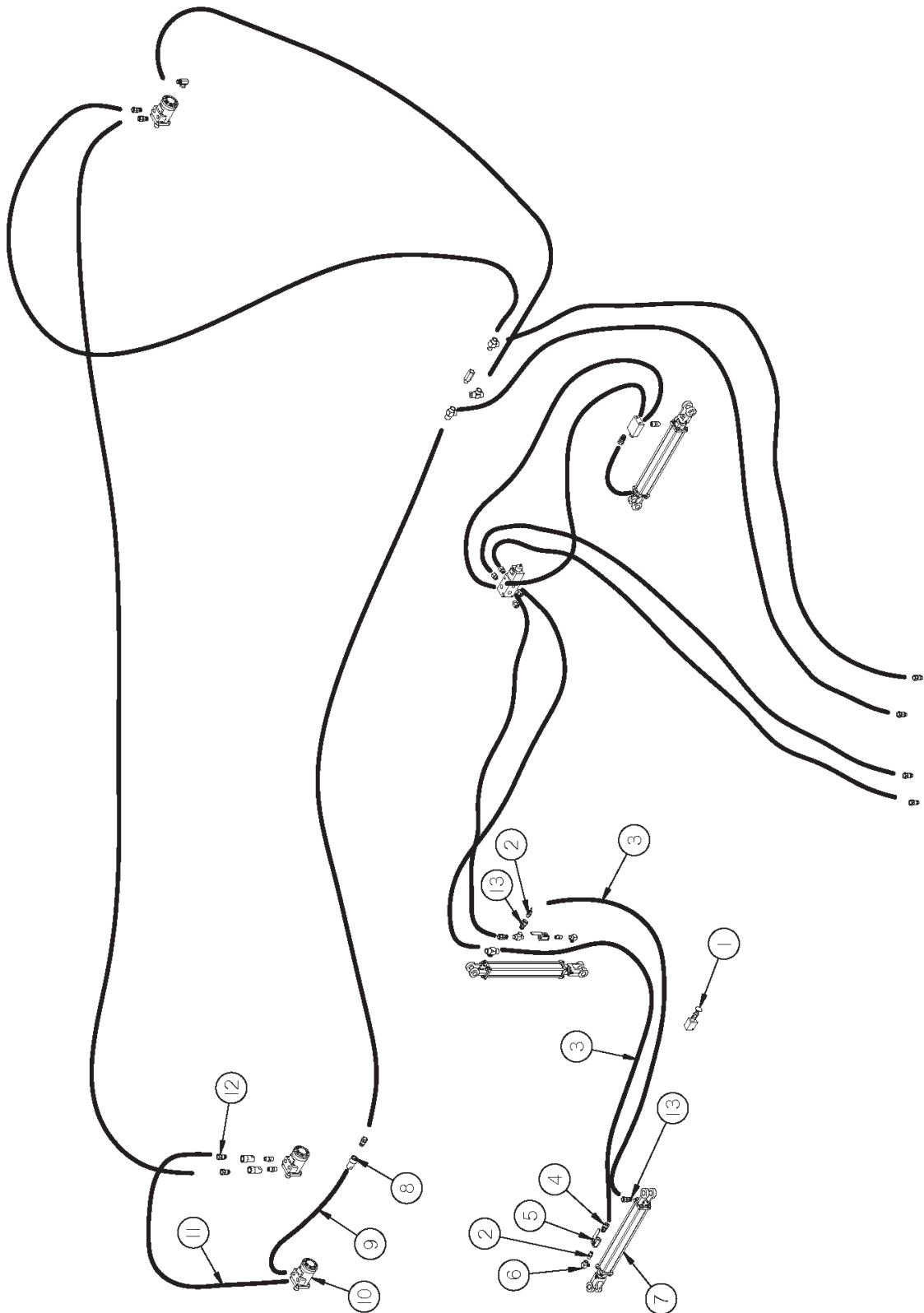


FIGURE 7

2'4'6' EXTENSION HYDRAULICS

<u>ITEM</u>	<u>PART #</u>	<u>DESCRIPTION</u>
1	16SV339	SEQUENCE VALVE
2	BFR188	3/8" NIPPLE NUT
3	WM257	HOSE 1/4" X 140"
4	T244	3/8" UNION ADAPTER W/ .042" ORIFICE
5	16SV338	3/8" BALL VALVE
6	23N234	3/8" STREET TEE
7	56015	2" X 16" HYDRAULIC CYLINDER WITH 90 DEG TO PORTS
8	DWM206	FEMALE COUPLER
9	DWM101	HOSE, 1/2" X 49"
10	DF1	HYDRAULIC MOTOR
*	WM225	SEAL KIT
11	WM264	HOSE 1/2" X 40"
12	DWM205	MALE COUPLER
13	DWM233	3/8" ADAPTER UNION

NOTE: * MEANS NOT SHOWN

FIGURE 8

MERGER WIRING

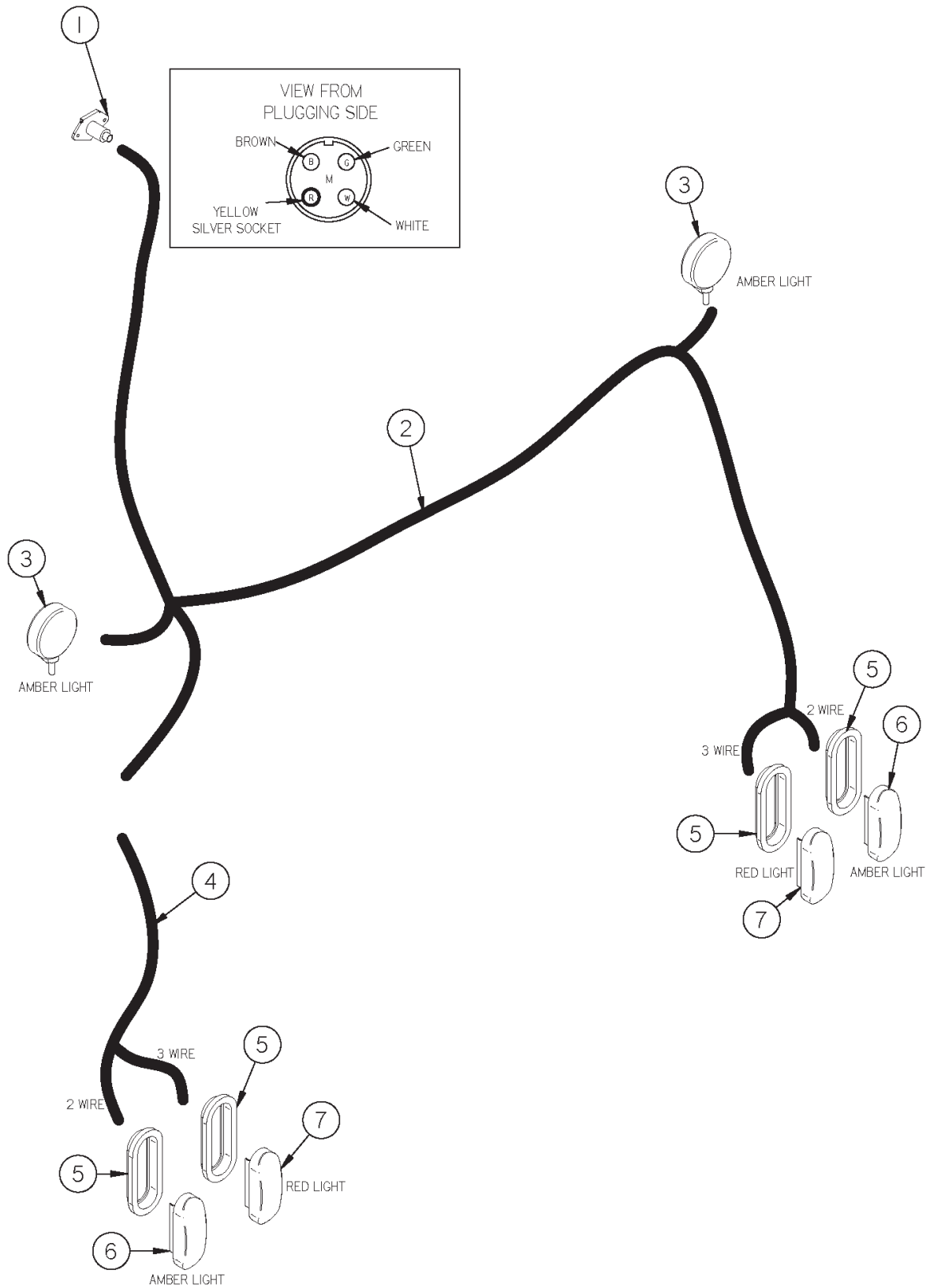


FIGURE 8
MERGER WIRING

<u>ITEM</u>	<u>PART#</u>	<u>DESCRIPTION</u>
1	SWM46	PLUG IN
2	WM365	LIGHT HARNESS (RIGHT)
3	DWM129	AMBER LIGHT (YELLOW HAZARD)
4	WM366	LIGHT HARNESS (LEFT)
5	S308	RUBBER LIGHT MOUNT
6	DWM131	AMBER LIGHT
7	S310	RED LIGHT
*	WM331	COMPLETE LIGHT HARNESS

NOTE: * MEANS NOT SHOWN

FIGURE 9

MERGER CONTROL BOX

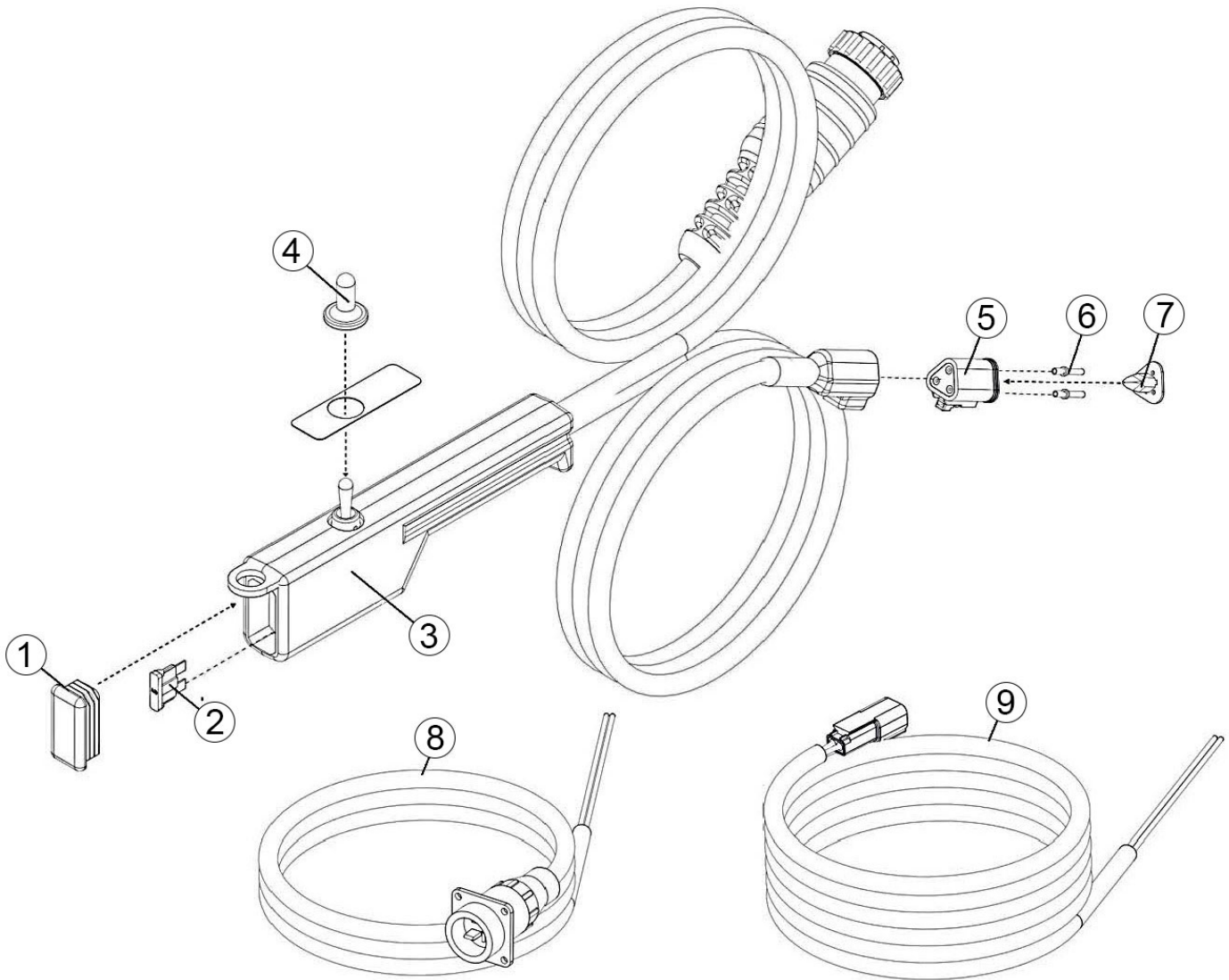


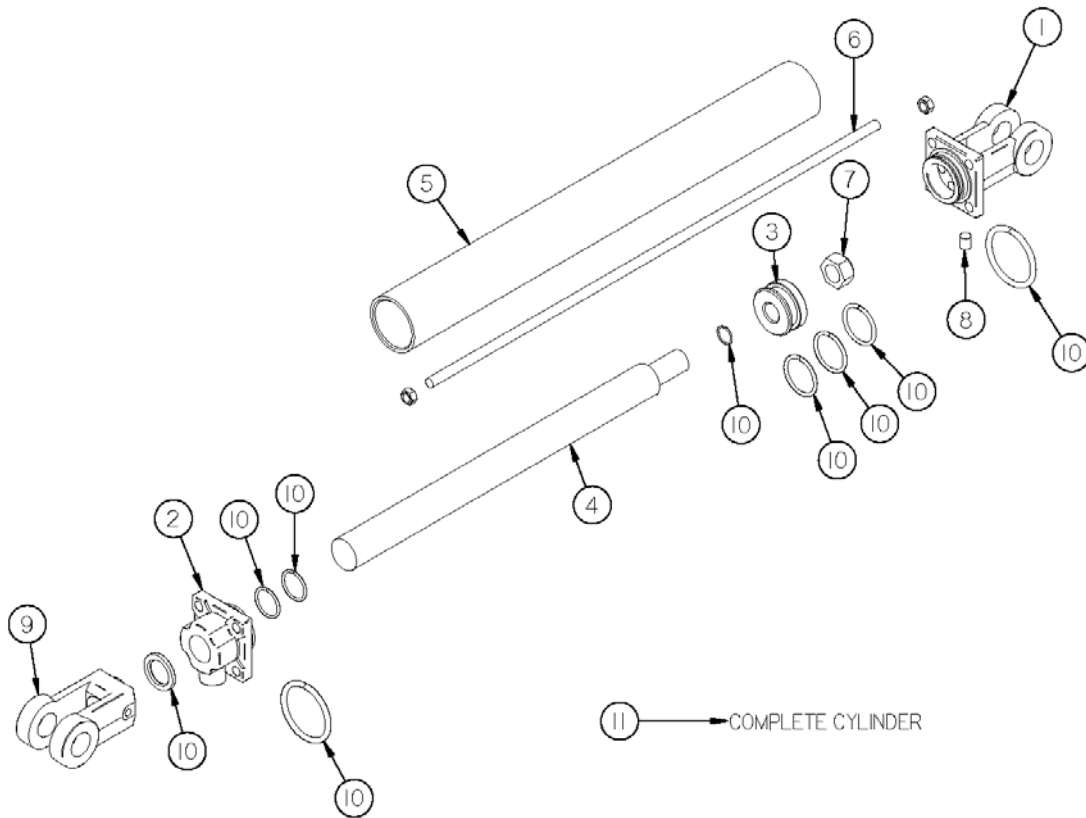
FIGURE 9
MERGER CONTROL BOX

<u>ITEM</u>	<u>PART #</u>	<u>DESCRIPTION</u>
1	61564	CAP
2	61597	FUSE, BLADE, 5AMP
3	63363	HAND CONTROLLER
4	16SV235	SWITCH BOOTS
5	58790	DEUTSCH 2 PIN PLUG HOUSING
6	56760	DEUTSCH SOCKET, SOLID, 14-16 GA.
7	58793	LOCKING WEDGE FOR DT06-2S
8	16SV269	TRACTOR CONTROL CABLE
9	WM108	MERGER POWER SUPPLY CORD W/ENDS
*	63352	HAND CONTROLLER (ON-OFF)

NOTE: * MEANS NOT SHOWN

FIGURE 10

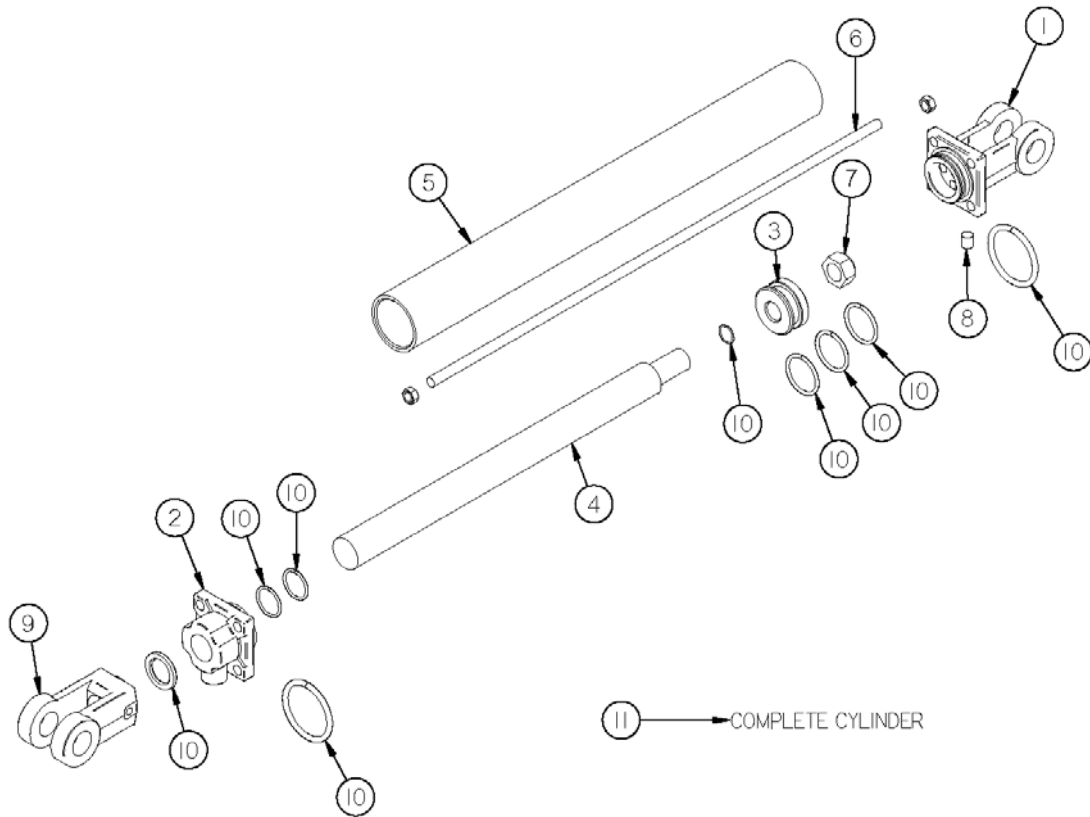
MERGER PICKUP HYDRAULIC CYLINDER 2 X 8



ITEM	PART #	DESCRIPTION
1	23N142A	CLEVIS
2	56174	ROD CAP
3	56180	PISTON
4	T184A	ROD
5	BFR68	CYLINDER TUBE
6	T186	TIE ROD
7	23N148	PISTON NUT
8	23N149	PLUG
9	23N150A	ROD CLEVIS
10	56187	SEAL KIT
11	55999	COMPLETE CYLINDER

FIGURE 11

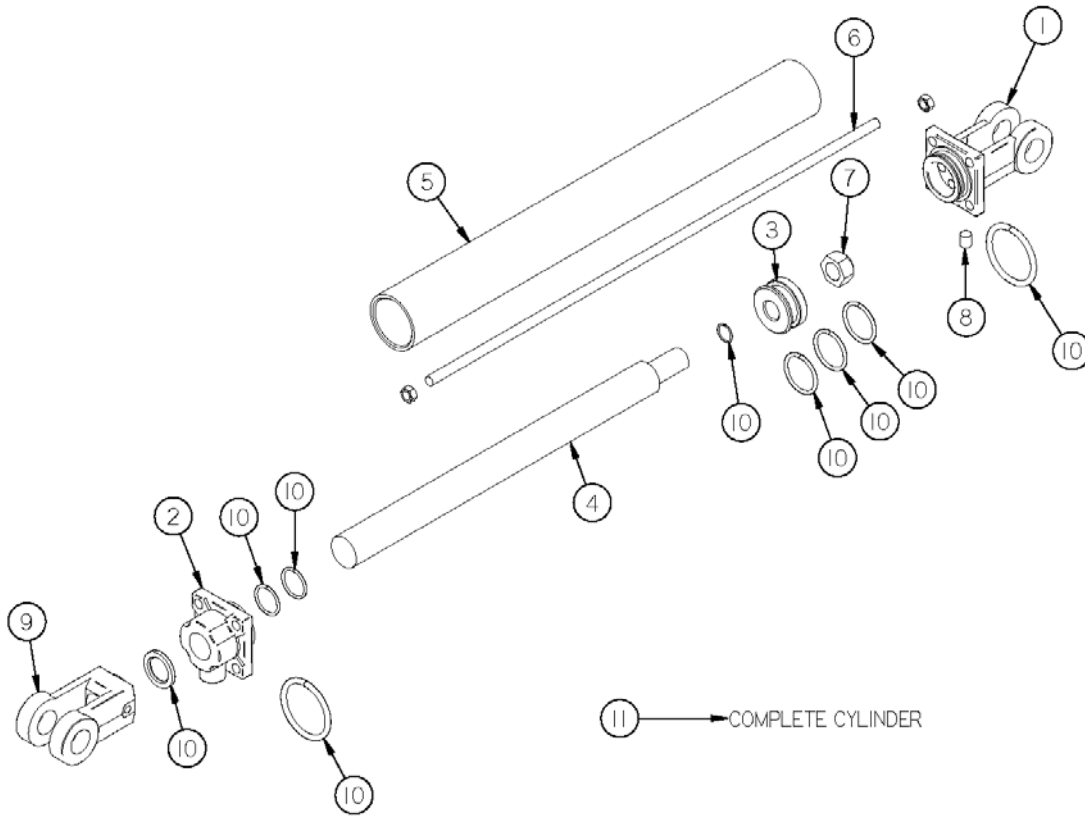
MERGER POLE HYDRAULIC CYLINDER 16"



<u>ITEM</u>	<u>PART #</u>	<u>DESCRIPTION</u>
1	23N142A	CLEVIS
2	23N143A	ROD CAP
3	23N144	PISTON
4	23N145A	ROD
5	23N146	CYLINDER TUBE
6	23N147	TIE ROD
7	23N148	PISTON NUT
8	23N149	PLUG
9	23N150A	ROD CLEVIS
10	23N151	SEAL KIT
11	56001	COMPLETE CYLINDER

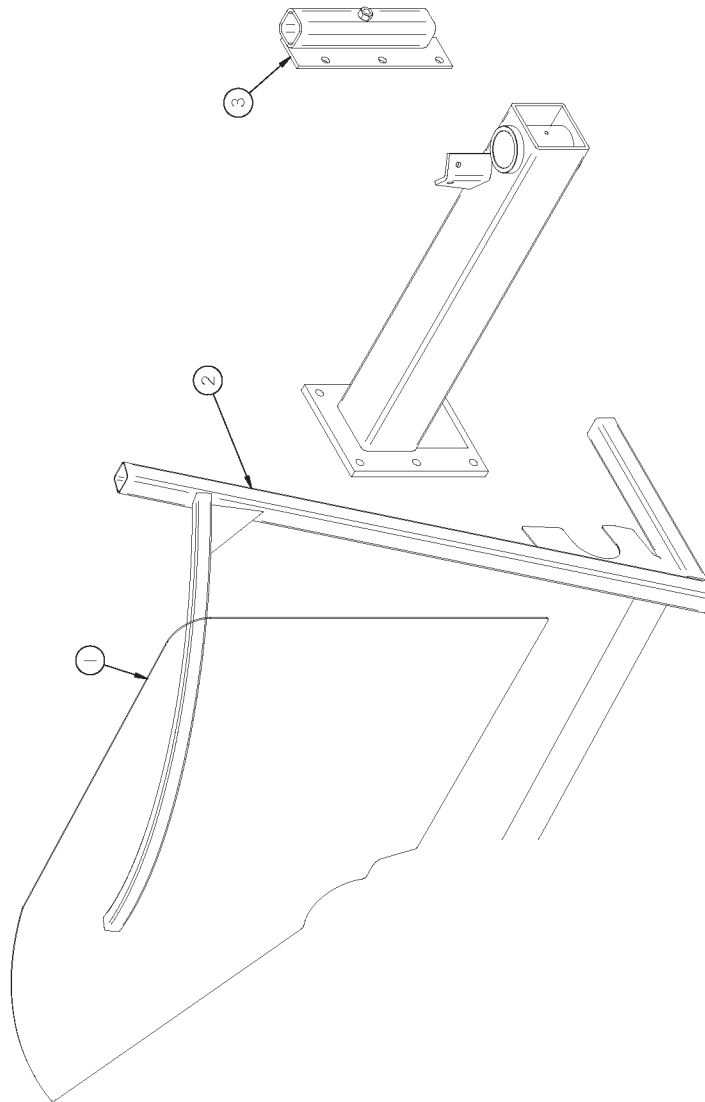
FIGURE 12

OPTIONAL EXTENSION HYDRAULIC CYLINDER



<u>ITEM</u>	<u>PART #</u>	<u>DESCRIPTION</u>
1	23N142A	CLEVIS
2	56174	ROD CAP
3	56180	PISTON
4	23N145A	ROD
5	23N146	CYLINDER TUBE
6	23N147	TIE ROD
7	23N148	PISTON NUT
8	23N149	PLUG
9	23N150A	ROD CLEVIS
10	56187	SEAL KIT
11	56015	HYDRAULIC CYLINDER

FIGURE 13
OPTIONAL WINDROW INVERTER



<u>ITEM</u>	<u>PART #</u>	<u>DESCRIPTION</u>
1	SWM50	WINDROW INVERTER POLY
2	SWM51	WINDROW INVERTER FRAME
3	SWM52	STORAGE MOUNT

FIGURE 14

OPTIONAL CROSS CONVEYOR STOP KIT

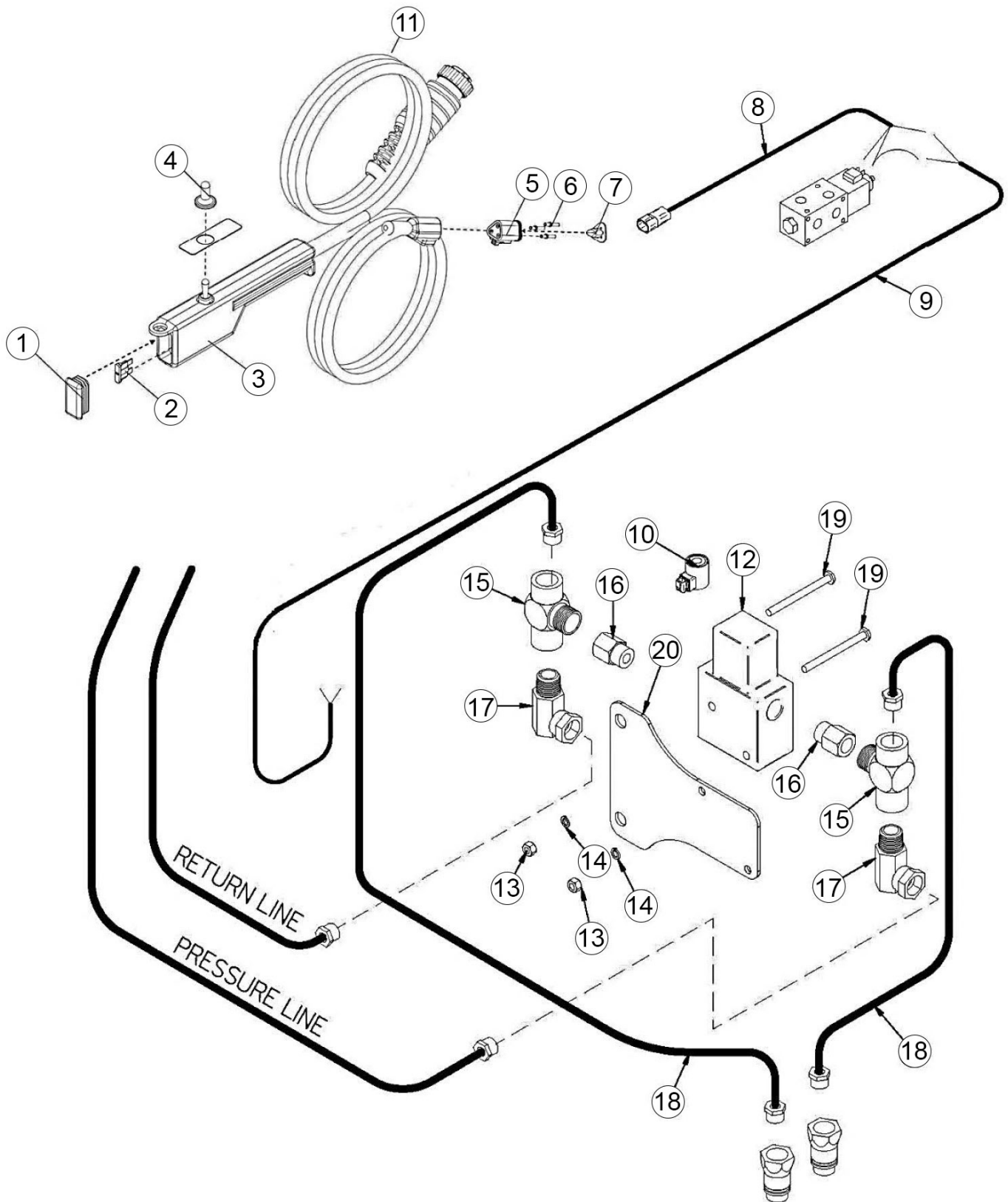


FIGURE 14

OPTIONAL CROSS CONVEYOR STOP KIT

<u>ITEM</u>	<u>PART #</u>	<u>DESCRIPTION</u>
1	61564	CAP
2	61597	FUSE, BLADE, 5AMP
3	63364	HAND CONTROLLER (ON-OFF-ON)
4	16SV235	SWITCH BOOTS
5	60113	DEUTSCH, 3 SOCKET PLUG HOUSING
6	56760	DEUTSCH SOCKET, SOLID, 14-16 GA.
7	60114	WEDGELOCK, 3 SOCKET
8	WM283	18' POLE CORD
9	WM327	SOLENOID CORD 23'4"
10	8739	COIL FOR WM293 VALVE
11	16SV271	CONTROL BOX POWER SUPPLY W/ PLUG IN SLOTS
*	63352	COMPLETE CONTROL BOX
12	WM293	VALVE
13	YNHX08005	1/4"-20 NUT
14	YWLO08005	1/4" LOCK WASHER
15	WM139	1/2" TEE
16	WM289	7/8" O-RING TO 1/2" NPT BUSHING
17	WM175	ADAPTER, UNION, 1/2" NPT MALE X 1/2" NPT SWIVEL FEMALE, 90 DEGREE
18	DWM101	1/2" X 49" - 1/2" MPX & 1/2"MP HOSE
19	YBHH08055	1/4" X 2-1/2" GR. 5 BOLT
20	WM333	VALVE BRACKET

FIGURE 15

MERGER OPTIONAL WET KIT

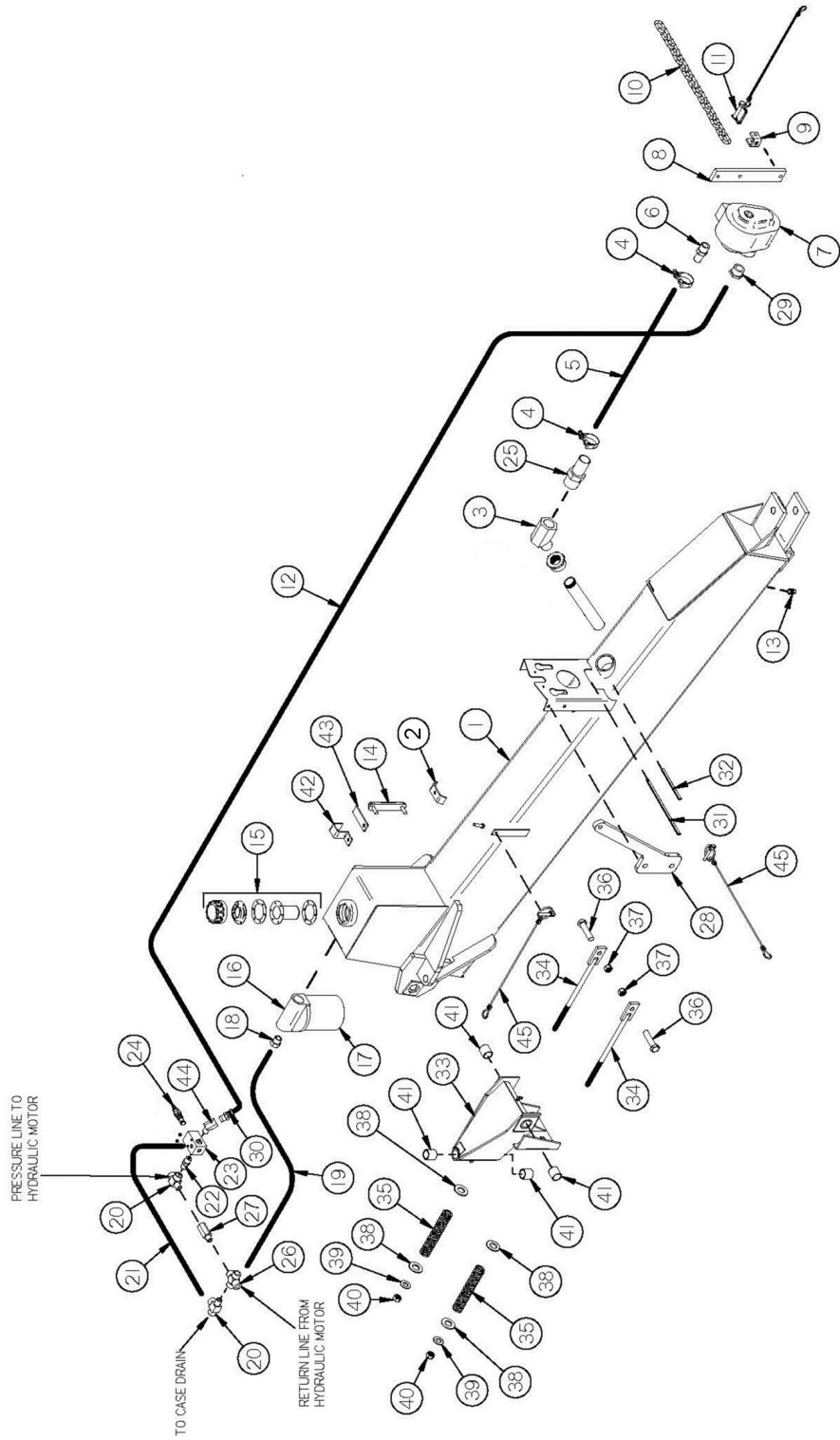


FIGURE 15

MERGER OPTIONAL WET KIT

<u>ITEM</u>	<u>PART #</u>	<u>DESCRIPTION</u>
1	HSW15	POLE TANK
2	HE42	HOSE HOLDER
3	DWM242	STREET ELBOW 45°
4	DWM138	HOSE CLAMP
5	HSW3	SUCTION HOSE 1-1/4" X 46"
6	HSW9	HOSE BARB 1-5/16-12 TO 1-1/4 TUBE
7	HSW16	PTO PUMP
8	WM168	TORQUE ARM
9	HSW5	CHAIN YOKE
10	BFR111	CHAIN
11	HSW20	LANYARD, PUMP CHAIN
12	HSW6	HYDRAULIC HOSE 3/4 X 122 #12 SAE x 1/2 MP
13	DWM159	DRAIN PLUG
14	DWM204	OIL LEVEL GAUGE
15	DWM81	FILLER STRAINER CAP
16	LW119	FILTER BASE
17	LW289	FILTER
18	LW99	BUSHING 3/4" TO 1/2"
19	16SV143	HYDRAULIC HOSE 1/2 x 19" 1/2 MP - 1/2 MPX
20	LW96	SERVICE TEE 1/2"
21	S395	HYDRAULIC HOSE 1/2 x 10.5" 1/2 MP - 1/2" 90°
22	WM141	MPX
23	56350	NIPPLE 1/2"
24	56349	RELIEF VALVE MANIFOLD

FIGURE 15

MERGER OPTIONAL WET KIT

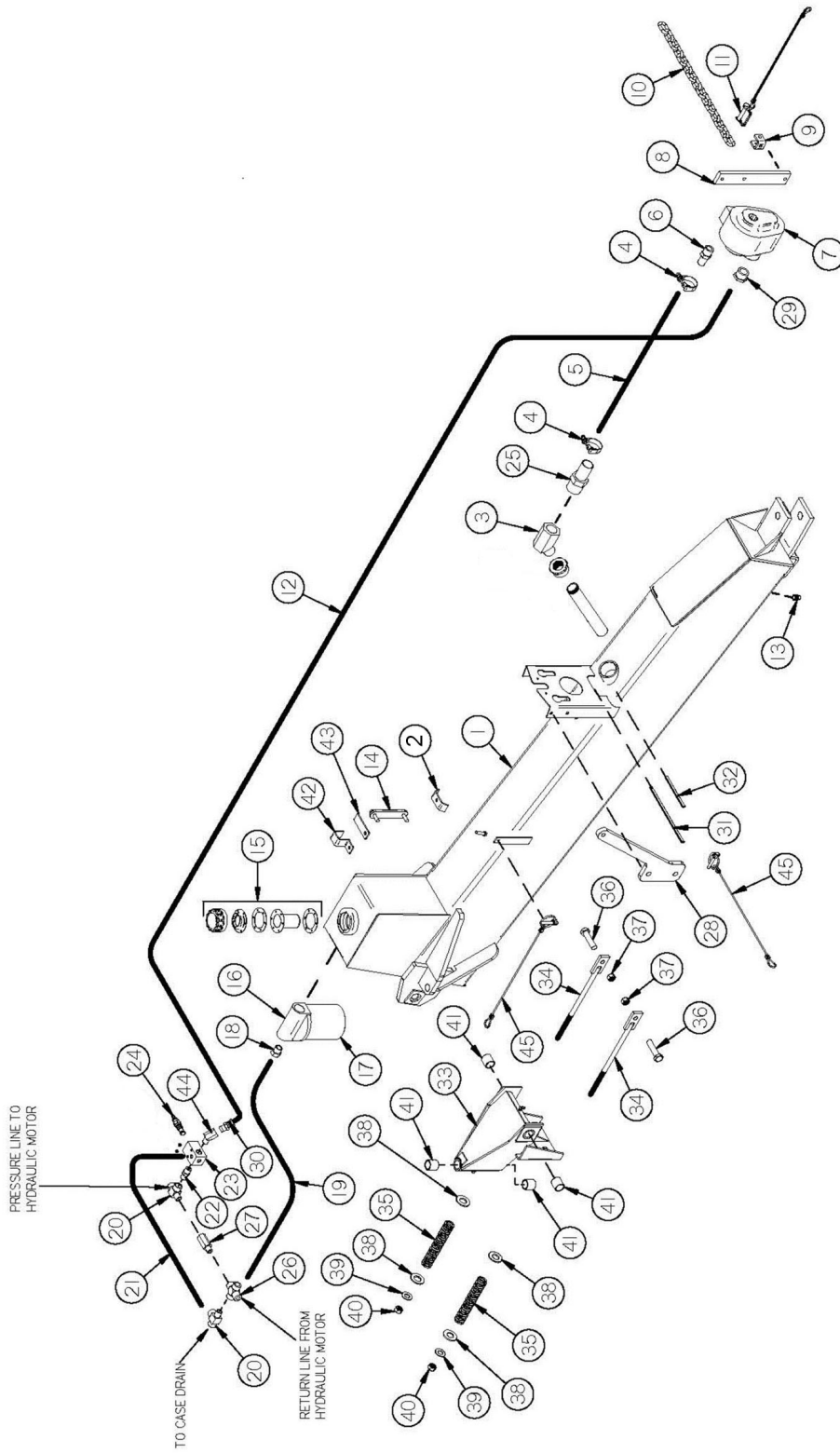


FIGURE 15

MERGER OPTIONAL WET KIT

<u>ITEM</u>	<u>PART #</u>	<u>DESCRIPTION</u>
*	56348	RELIEF VALVE (ITEM #'S 23 & 24)
25	DWM143	HOSE BARB
26	JB83	1/2" CROSS
27	DF18	1/2" CHECK VALVE
28	HSW8	PUMP HOLDER
29	HSW10	PORT BUSHING 1-5/16-12 TO
30	MA12	1-1/16-12 1/2" MALE ADAPTER UNION
31	HSW11	HOLE EDGING
32	HSW12	SLOT EDGING
33	HSW14	SPRING ASSIST PIVOT
34	RG10	SPRING ADJUST ROD
35	T148	SPRING
36	YBHH20020	BOLT, 5/8" X 1-3/4" GR. 5
37	YNTL20005	HEX NUT, TOP LOCK, 5/8"-11
38	RG9	SPRING RETAINER
39	YWFL20005	WASHER, FLAT, 5/8" USS
40	YNNY20005	HEX NUT, NYLON LOCKNUT, 5/8"-11 1"
41	RG11	ID X 1-1/4" OD X 2" BUSHING
42	HE15	HOSE CLAMP
43	HSW17	HOSE CLAMP BASE
44	LW187	STREET ELBOW 45°
45	WM377	LANYARD, CROP ROLLER

NOTE: " MEANS SAME AS PREVIOUS

FIGURE 16

EXTENSION SHUTOFF

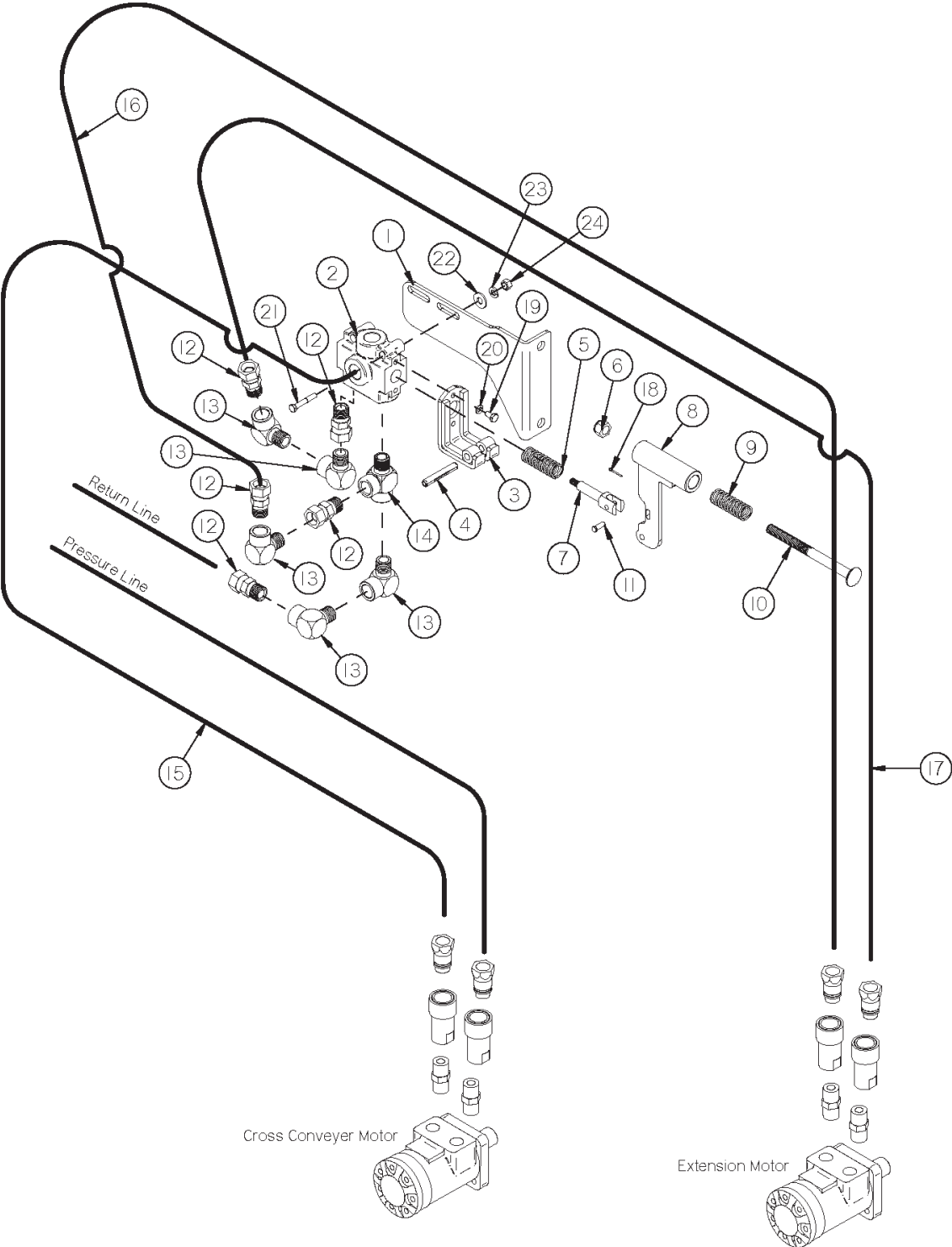


FIGURE 16

EXTENSION SHUTOFF

<u>ITEM</u>	<u>PART #</u>	<u>DESCRIPTION</u>
1	WM335	SHUT-OFF BRACKET
2	16SV133	SELECTOR VALVE
3	WM324	SHUT-OFF LEVER BRACKET
4	YPEX12020	EXPANSION PIN, 3/8" X 2"
5	T241	SPRING
6	YNNJ16005	HEX NUT, NYLON JAM NUT, 1/2"
7	WM336	SPRING PIN
8	WM334	SPRING GUIDE LEVER
9	23N211	SPRING
10	WM337	SPRING GUIDE BOLT
11	YPCV08005	CLEVIS PIN, 1/4" X 1"
12	MA12	1/2" MALE ADAPTER UNION
13	HE58	STREET ELBOW (5502-8-8)
14	LW96	SERVICE TEE (5602-8)
15	WM263	HYDRAULIC HOSE
16	WM264	HYDRAULIC HOSE
17	DWM101	HYDRAULIC HOSE
18	YPCT02005	COTTER PIN, 1/16" X 1/2"
19	YBHH08015	BOLT, 1/4" X 1/2" GR. 5
20	YWLO08005	WASHER, LOCK, 1/4"
21	YBHH10070	BOLT, 5/16"-18 X 2" GR. 5
22	YWFL10005	WASHER, FLAT, 5/16" USS
23	YWLO10005	WASHER, LOCK, 5/16"
24	YNHX10005	HEX NUT, 5/16"

H&S MFG. CO.

products approved

for the

FEMA

SEAL OF QUALITY

