

# H&S

# PARTS BOOK

## HT7 TEDDER



Revision #01  
Starting Ser #811HM7A001

Part #77371  
HSMFG1117

**P.O. BOX 768, MARSHFIELD, WI 54449**  
**(715) 387-3414 FAX (715) 384-5463**  
**[www.hsmfgco.com](http://www.hsmfgco.com)**

# CONTENTS

Instructions For Ordering Parts - About Improvements . . . . .	1
Figure 1 - Frame & Shields. . . . .	2-3
Figure 2 - Cam, Belt & Drive Assembly. . . . .	4-7
Figure 3 - Bevel Gearbox. . . . .	8-9
Figure 4 - Pto. . . . .	9-10

## **INSTRUCTIONS FOR ORDERING PARTS**

All service parts should be ordered through your authorized H&S dealer. They will be able to give you faster service if you will provide them with the following

1. Model & Serial number is located on the left, rear main frame of your unit.
2. All reference to left or right apply to the machine as viewed from the rear.
3. Parts should not be ordered from illustration only. Please order by complete part number.
4. If your dealer has to order parts - give shipping instructions:

VIA truck - large pieces (please specify local truck lines)

VIA United Parcel Service (include full address)

<b>H&amp;S MFG. CO. INC.</b>	
MARSHFIELD, WIS.	
MOD. NO.	<input type="text"/>
SER. NO.	<input type="text"/>
DESCR.	<input type="text"/>

PLEASE RECORD NUMBERS FOR YOUR UNIT FOR QUICK REFERENCE

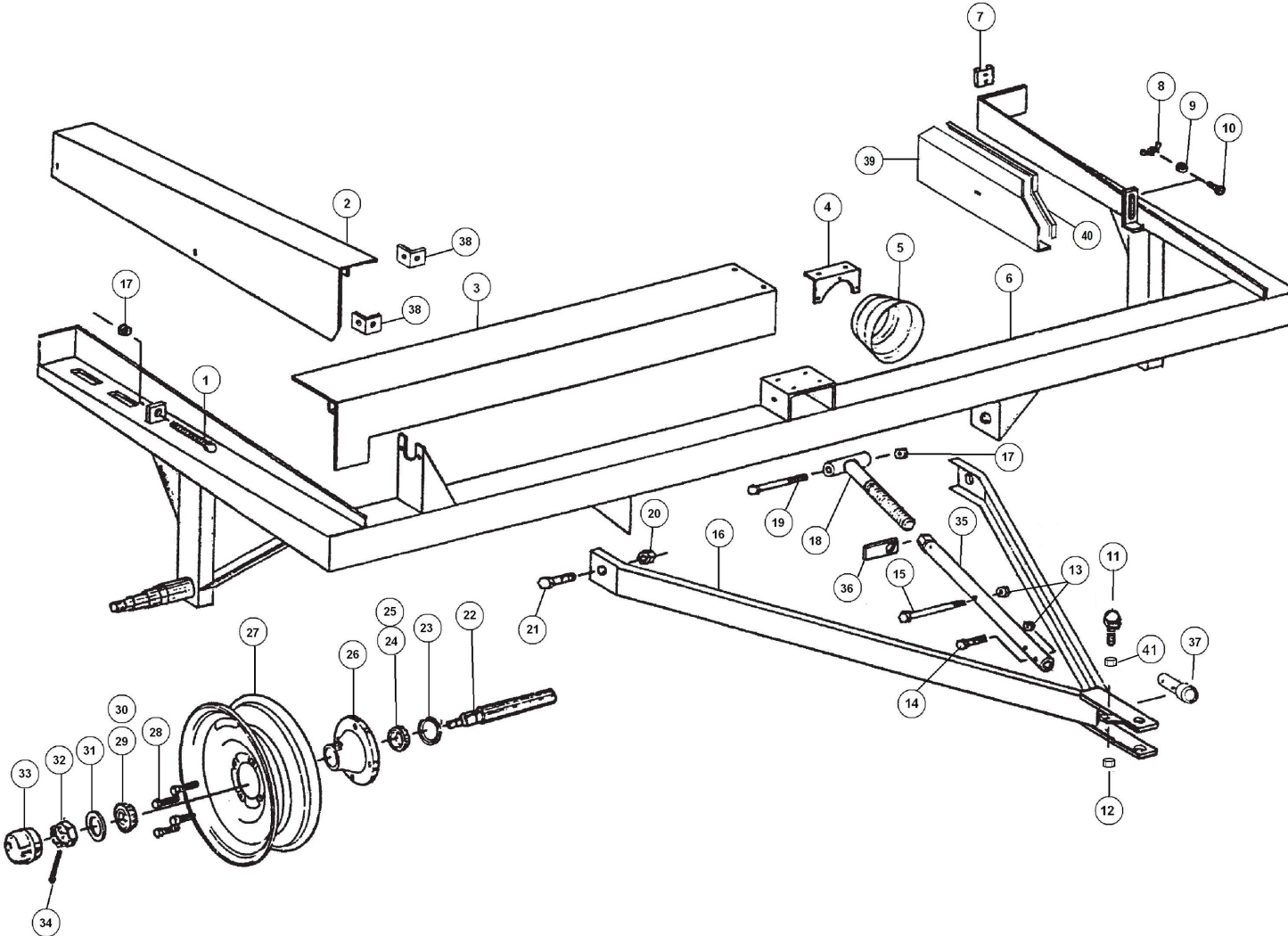
### **ABOUT IMPROVEMENTS**

H&S IS CONTINUALLY STRIVING TO IMPROVE IT'S PRODUCTS

We must therefore, reserve the right to make improvements or changes whenever it becomes practical to do so without incurring any obligation to make changes or additions to the equipment previously sold.

# FIGURE 1

## FRAME & SHIELDS



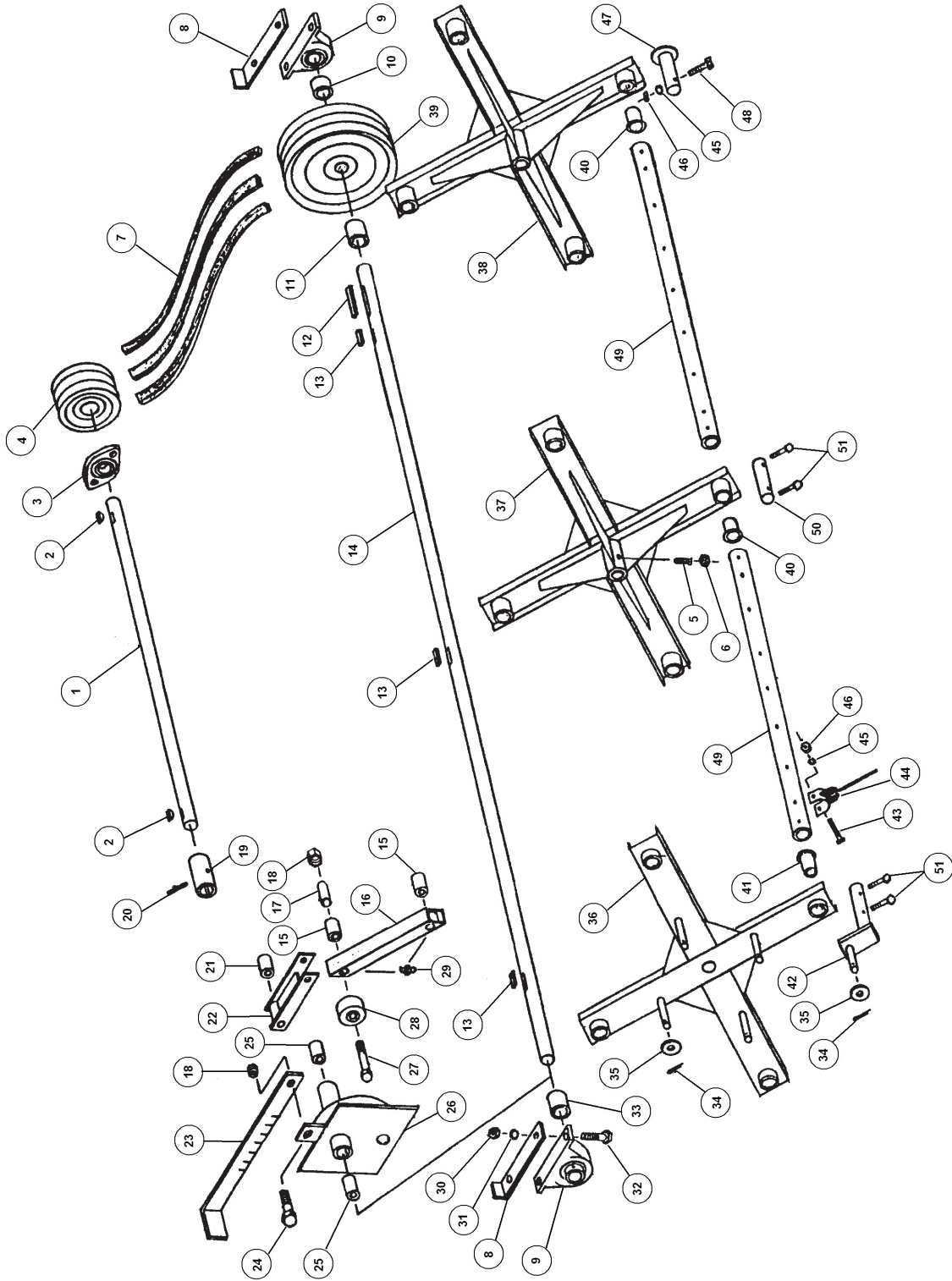
# FIGURE 1

## FRAME & SHIELDS

<u>ITEM</u>	<u>PART #</u>	<u>DESCRIPTION</u>
1	9S16	BOLT TIGHTNER 1/2 X 4-1/2
2	T10	SIDE SHIELD
3	T711	FRONT SHIELD
4	T12	GEAR BOX SHIELD
5	17G45	PLASTIC PTO SHIELD
6	T714	TEDDER MAIN FRAME
7	F97	SMV BRACKET
8	T15	WING NUT 1/4 G5
9	YWFL08005	WASHER FLAT, 1/4 USS
10	YBCR08040	BOLT CARR 1/4 X 3/4 G5
11	YBHH16105	BOLT HEX 1/2 X 3 G5
12	YNRL16005	NUT HEX, 1/2
13	YNNY12005	NUT HEX 3/8, G2
14	T114	BOLT 3/8 X 2 G5
15	YBHH12225	BOLT 3/8 X 6.00 G5
16	T21	POLE FOR TEDDER
17	YNHX16005	NUT HEX, 1/2 G2
18	T22	ADJUSTMENT SCREW
19	YBHH16175	NUT HEX, 1/2 G2
20	T23	LOCK NUT, 3/4
21	YBHH24015	BOLT HEX 3/4 X 2 G5
22	T25	SPINDLE
23	T26	SEAL
24	T27	BEARING
25	17G146	OUTER RACE
26	T29	HUB ASSY
27	T30	WHEEL, 15 X 5, 4 BOLT
28	T31	HUB BOLT, 1/2 X 1-1/4
29	BFR62	OUTER BEARING
30	BFR61	OUTER RACE
31	T34	WASHER
32	YNSL24010	NUT SLOT, 3/4 G2
33	T36	HUB CAP
34	YPCT05010	COTTER PIN 5/32 X 1-1/2E
35	T117	ADJUSTMENT PIPE
36	T118	ADJUSTMENT LOCK
37	T119	ADJUSTMENT END SHAFT
38	T120	SHIELD ANGLE
39	T121	LH SIDE SHIELD
40	T124	PLASTIC EDGE FOR SHIELD
*	YNWL16005	NUT WHEEL, 1/2 G5
*	YBWL16010	BOLT WHEEL 1/2 X 1-1/4 G5
41	YNHX24005	NUT HEX, 3/4

# FIGURE 2

## CAM, BELT & DRIVE ASSEMBLY



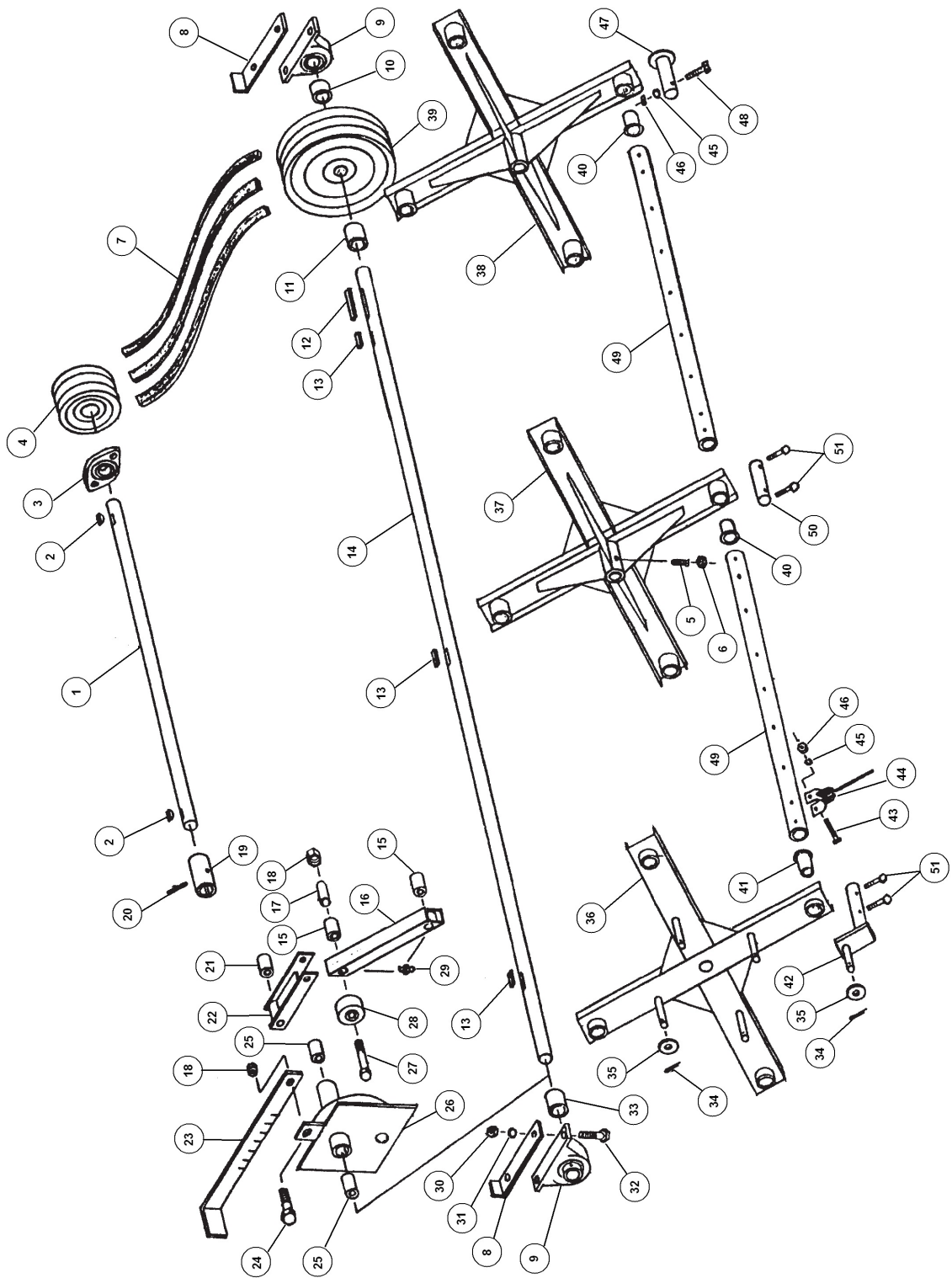
## FIGURE 2

### CAM, BELT & DRIVE ASSEMBLY

<u>ITEM</u>	<u>PART #</u>	<u>DESCRIPTION</u>
1	T739	FRONT SHAFT
2	5B10	WOODRUFF KEY, 1/4 X 1
3	T40	BEARING W/COLLAR
4	T260	DRIVE PULLEY
5	T115	SETSCREW
6	T116	NUT SQUARE, 3/4
7	T44	V-BELT
8	T45	TIGHTENER BRACKET
9	T46	PILLOW BLOCK BEARING
10	T47	SPACER 1-3/8
11	T48	SPACER 2-5/8
12	T49	SQUARE KEY 5/16 X 4
13	T50	SQUARE KEY 5/16 X 2
14	T751	REEL SHAFT
15	T52	BRONZE BUSHING
16	T53	CAM LONG ARM
17	T122	BUSHING FOR BOLT
18	T60	NUT LOCK, 5/8
19	T57	GEAR BOX CONNECTOR
20	YPEX10015	EXPANSION PIN, 5/16 X 1-3/4
21	T58	BRONZE BUSHING
22	T59	SHORT CAM ARM
23	T61	CAM HANDLE
24	YBHH20010	BOLT HEX 5/8 X 1-1/2 G5
25	T63	BRONZE BUSHING
26	T64	CAM ASSEMBLY W/BUSHINGS

# FIGURE 2

## CAM, BELT & DRIVE ASSEMBLY





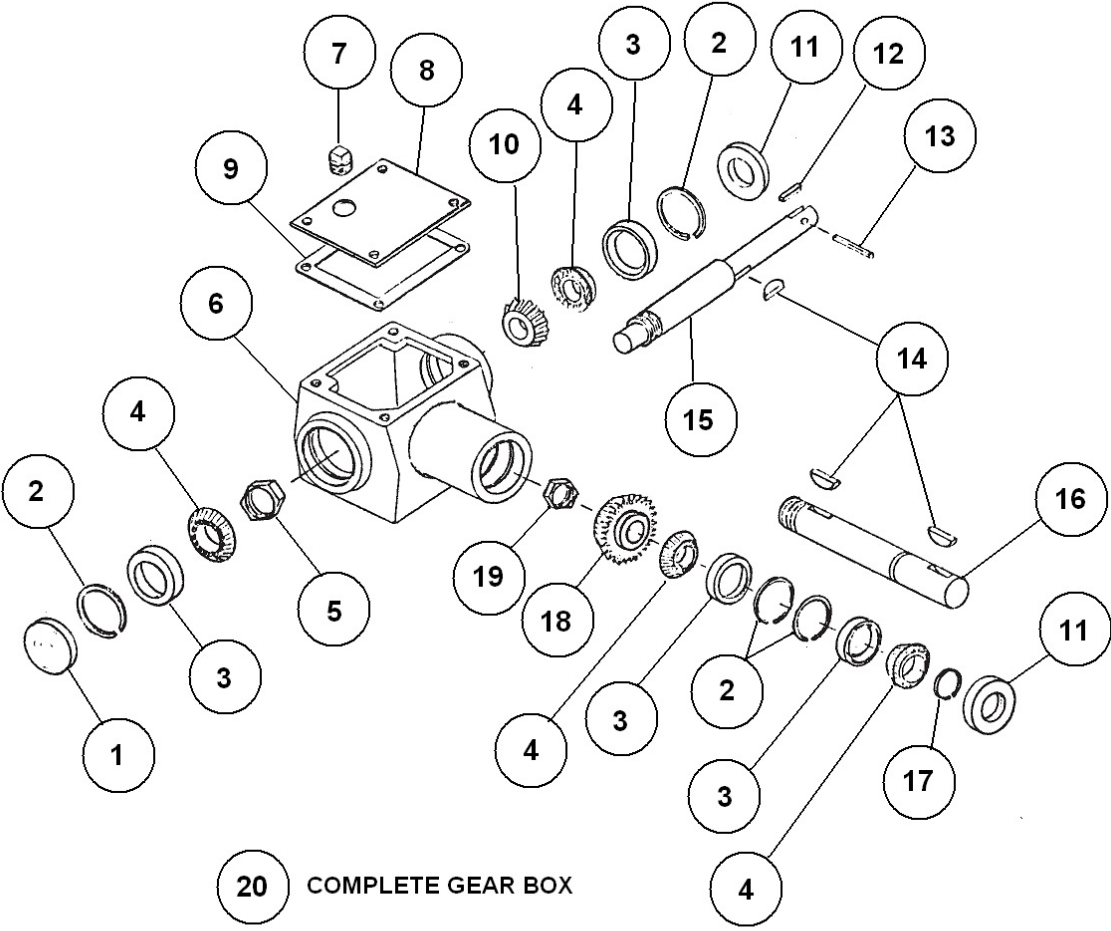
## FIGURE 2

### CAM, BELT & DRIVE ASSEMBLY

<u>ITEM</u>	<u>PART #</u>	<u>DESCRIPTION</u>
27	YBHH20065	BOLT HEX 5/8 X 4 G5
28	T66	CAM ROLLER BEARING
29	T67	GREASE ZERK LONG2
30	YNHX16005	NUT HEX 1/2
31	YWL16005	WASHER LOCK 1/2
32	YBHH16080	BOLT HEX 1/2 X 2-1/2 G5
33	T71	REEL SPACEER LH
34	T72	COTTER PIN 5/32 X 1-1/2
35	T73	WASHER
36	T74	LH REEL CROSS
37	T75	CENTER REEL CROSS
38	T76	RH REEL CROSS
39	T77	PULLEY, TRIPLE, 14"
40	T78	FLANGE BUSHING
41	T79	FLANGE BUSHING
42	T80	LH STUB SHAFT
43	T123	BOLT 3/8 X 2 1/4 G5
44	T82	RUBBER MOUNTED TEETH
45	YWLO12005	WASHER, LOCK, 3/8
46	YNHX12005	NUT HEX, 3/8
47	T83	RH STUB SHAFT
48	YBHH12075	BOLT HEX, 3/8 X 2 G5
49	T784-8	REEL PIPE
*	T784-9	REEL PIPE
50	T85	REEL PIPE CENTERS
51	T114	BOLT 3/8 X 2 G5

\* MEANS NOT SHOWN

**FIGURE 3**  
**BEVEL GEARBOX**



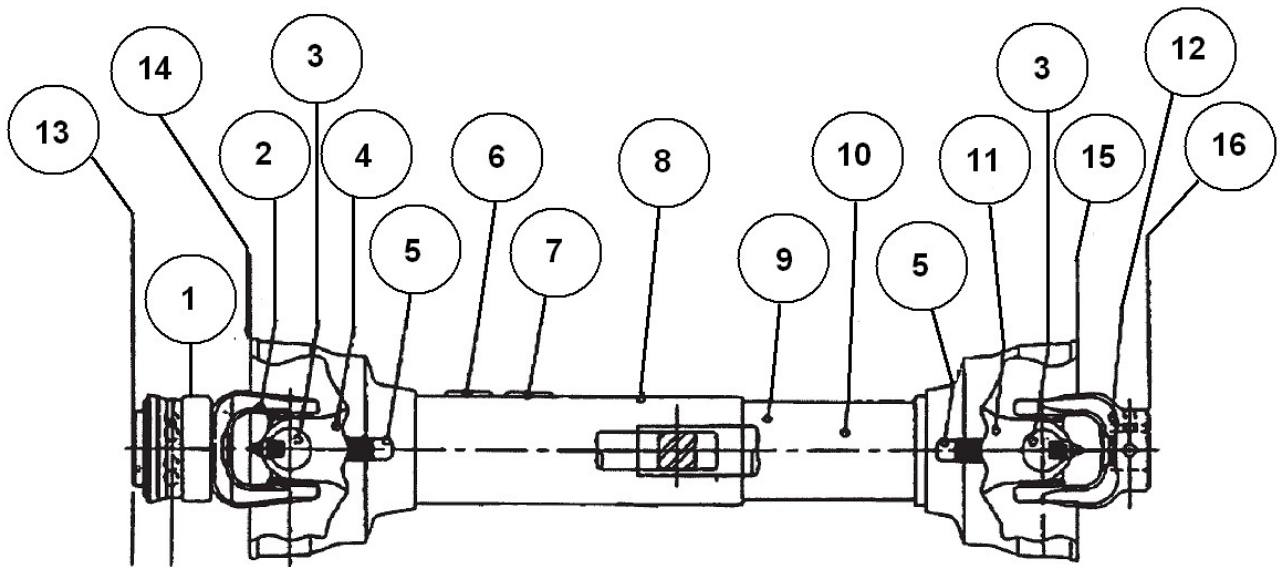
# FIGURE 3

## BEVEL GEARBOX

<u>ITEM</u>	<u>PART #</u>	<u>DESCRIPTION</u>
1	X2	DUST CAP
2	3G19	SNAP RING
3	3G18	RACE #15245 TIMKIN
4	3G7	BEARING #15101
5	3G11	GEAR BOX NUT
6	3G1	GEAR BOX HOUSING
7	3G20	VENT PLUG
8	3G3	COVER
9	3G2	GEAR BOX GASKET
10	X3G5	GEAR, 12T
11	3G9	SEAL, TRANSCOM
12	S135	SQUARE KEY, 1/4" X 1-1/4"
13	YPEX10015	ROLL PIN, 5/16" X 1-3/4"
14	5B10	WOODRUFF KEY, 1/4" X 1.00" BIN STOCKED
15	T86	GEAR BOX FRONT SHAFT
16	T87	GEAR BOX SIDE SHAFT
17	3G21	SNAP RING BIN STOCKING
18	X36	GEAR, 18T
19	3G4	GEAR BOX NUT
20	T112	COMPLETE GEAR BOX

# FIGURE 4

## PTO



## **FIGURE 4**

### **PTO**

<b><u>ITEM</u></b>	<b><u>PART #</u></b>	<b><u>DESCRIPTION</u></b>
1	S225	SPRING LOCK REPAIR KIT
2	S379	LOCK YOKE ASSEMBLY (HD)
3	T274	03-15374 12P CROSS & BEARING KIT
4	T275	YOKE & SHAFT
5	S206	NYLON BEARING
6	16SV283	SAFETY SIGN
7	16SV384	540 RPM SIGN
8	T276	OUTER GUARD
9	T277	INNER GUARD
10	16SV388	SAFETY SIGN
11	T278	YOKE & TUBE
12	T279	YOKE
13	T280	JOINT & SHAFT HALF ASSY W/GUAR
14	T281	JOINT & SHAFT HALF ASSY W/GUAR
15	T282	JOINT & TUBE HALF ASSY W/GUARD
16	T283	JOINT & TUBE HALF ASSEMBLY
17	T273	PTO, COMPLETE
*	S402	PTO SAFETY MANUAL

**\* MEANS NOT SHOWN**





