

H&S

PARTS BOOK

1100 LINEWRAP



Revision #04
Starting Ser. #121LW11001

HSMFG1020

PART#78783

Manufactured by
H&S MANUFACTURING CO., INC.
2608 S. HUME AVE. MARSHFIELD, WI 54449
(715) 387-3414 | hsmfgco.com



CONTENTS

Instructions for Ordering Parts - About Improvements	1
Figure 1 - Tail Roller & Components.	2-3
Figure 2 - Mid Roller & Components.	4-5
Figure 3 - Hoop & Components	6-7
Figure 4 - Tension Head & Components	8-9
Figure 5 - Shield & Components.	10-11
Figure 6 - Hoop Roller & Components RH.	12-13
Figure 7 - Hoop Roller & Components LH.	14-15
Figure 8 - Forks & Components.	16-17
Figure 9 - Rear Axle Beam & Components	18-19
Figure 10 - Rear Hub & Components.	20-21
Figure 11 - Drive Motor & Components	22-23
Figure 12 - Manifold Assembly.	24-25
Figure 13 - Manifold & Manual Holder.	26-27
Figure 14 - Riser Components.	28-29
Figure 15 - Bale Guide Components.	30-31
Figure 16 - Front Hub & Components	32-33
Figure 17 - Steering Components	34-35
Figure 18 - Push-Off Components	36-37
Figure 19 - Safety Cable & Components.	38-39
Figure 20 - Engine Guard Panels.	40-41
Figure 21 - Tail Cylinder.	42-43
Figure 22 - Hydraulic Tank & Components.	44-45
Figure 23 - Engine & Components.	46-47
Figure 24 - Hydraulics & Components.	48-49
Figure 25 - Pusher Slide.	50-51
Figure 26 - Work Light (Optional)	52-53
Figure 27 - Riser Shelf (Optional)	54-55
Figure 28 - Remote.	56-57
Figure 29 - Remote Start & Steer Kit.	58-59
Figure 30 - Tail Light (Optional).	60-61
Figure 31 - Electrical.	62-63
Parts Notes	64

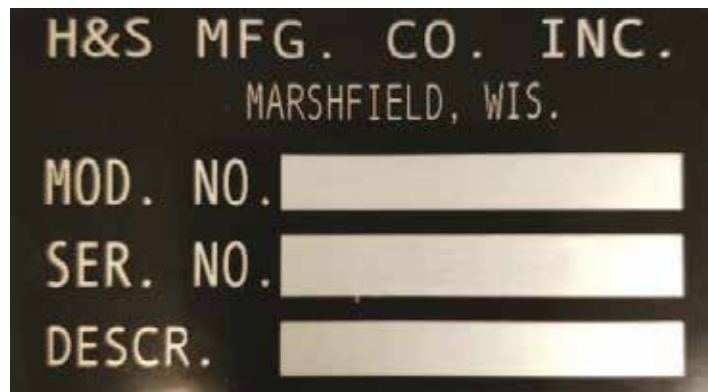
INSTRUCTIONS FOR ORDERING PARTS

All service parts should be ordered through your authorized H&S dealer. He will be able to give you faster service if you will provide them with the following:

1. Model & Serial Number - Both can be located on the back side of the panel below the control box.
2. All references to left or right apply to the machine as viewed from the rear.
3. Parts should not be ordered from illustration only. Please order complete part number.
4. If your dealer has to order parts - give shipping instructions:

VIA truck - large pieces (please specify local truck lines)

VIA United Parcel Service (include full address)



PLEASE RECORD NUMBERS FOR YOUR UNIT FOR QUICK REFERENCE

ABOUT IMPROVEMENTS

H&S IS CONTINUALLY STRIVING TO IMPROVE IT'S PRODUCTS

We must therefore, reserve the right to make improvements or changes whenever it becomes practical to do so, without incurring any obligation to make changes or additions to the equipment previously sold.

FIGURE 1
TAIL ROLLER & COMPONENTS

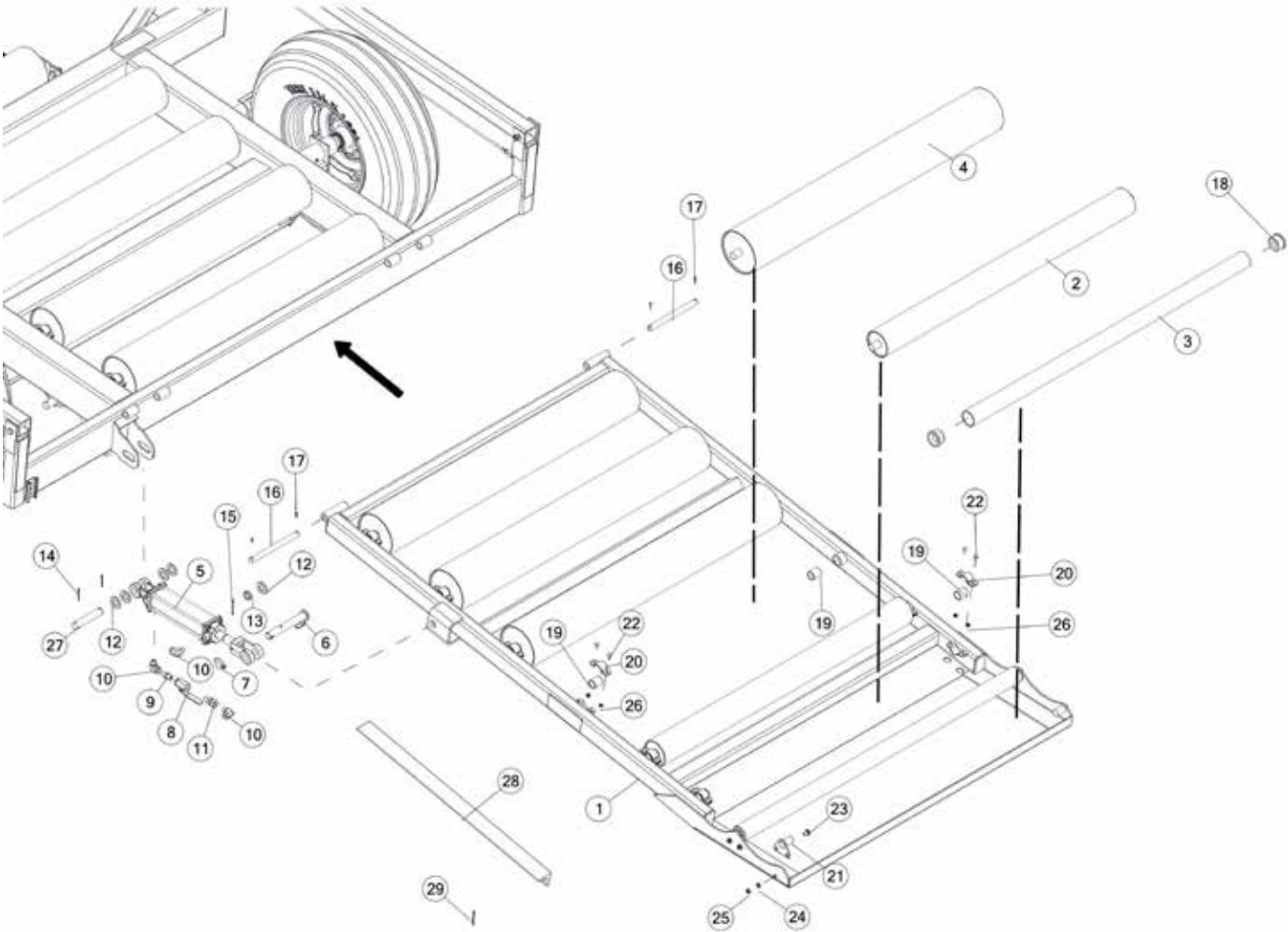


FIGURE 1

TAIL ROLLER & COMPONENTS

<u>ITEM</u>	<u>QTY</u>	<u>PART#</u>	<u>DESCRIPTION</u>
1	1	LW246	TAIL
2	2	LW157	SMALL ROLLER
3	2	LW230	END ROLLER
4	4	LW158	LARGE ROLLER
5	1	56006	COMPLETE CYLINDER
6	1	57148	TAIL PIN
7	1	YPLY08011	LYNCH PIN, 1/4 X 1-9/16
8	1	16SV338	BALL VALVE, 3/8
9	1	16SV351	NIPPLE, 3/8
10	2	23N234	FITTING, 90, 3/8 NPT, 3/8 NPT
11	1	58721	MALE ADAPTER UNION 3/8
12	5	BFR33	WASHER
13	1	X94	1ST BEATER SPACER
14	2	YPCT05010	COTTER PIN, 5/32 X 1-1/2
15	1	YPCT06020	COTTER PIN, 3/16 X 2
16	2	LW54	TAIL HINGE PIN
17	4	YSKP08010	SET SCREW SOCKET, 1/4-20 X 1/2
18	4	LW229	POLY ROLLER INSERT
19	12	LW63	PVC BEARING
20	12	LW340	ROLLER HOLDER
21	2	LW231	BEARING BRACKET
22	8	YBCR08040	BOLT CARRIAGE, 1/4 X 3/4 G5
23	3	YBCR12065	BOLT CARRIAGE, 3/8 X 3/4 G5
24	3	YWLO12005	WASHER LOCK, 3/8
25	3	YNJM12005	NUT JAM, 3/8
26	10	YNTL08005	NUT HEX, 1/4
27	1	LW237	CYLINDER PIN
28	1	LW372	TAIL LOCKBAR ANGLE
29	1	YPCT05025	COTTER PIN, 5/32 X 2

FIGURE 2 MID ROLLER & COMPONENTS

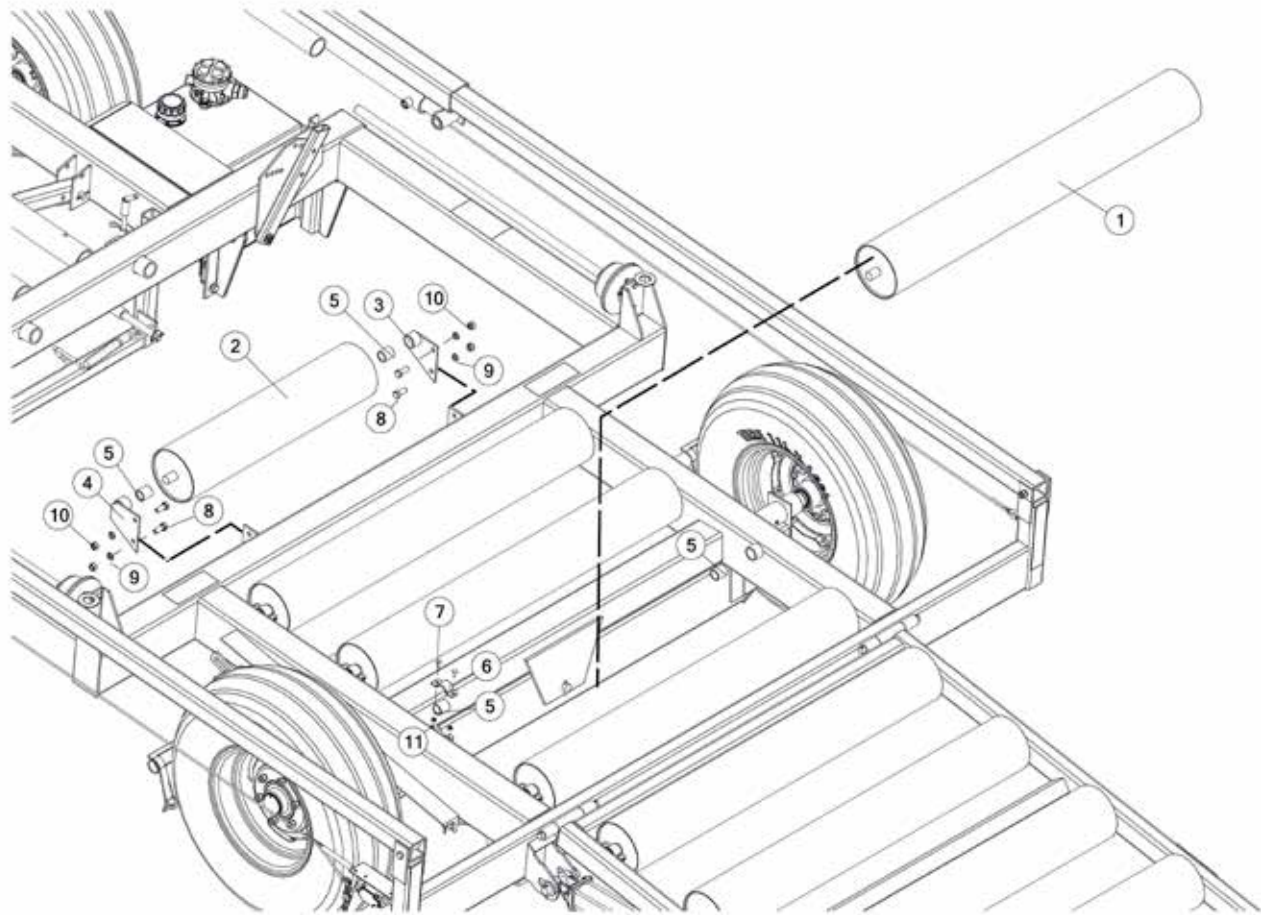


FIGURE 2
MID ROLLER & COMPONENTS

<u>ITEM</u>	<u>QTY</u>	<u>PART#</u>	<u>DESCRIPTION</u>
1	7	LW158	LARGE ROLLER
2	1	LW163	SHORT ROLLER
3	1	LW155	ROLLER BRACKET MOUNT RH
4	1	LW154	ROLLER BRACKET MOUNT LH
5	10	LW63	PVC BEARING
6	4	LW340	ROLLER HOLDER
7	8	YBCR08040	BOLT CARRIAGE, 1/4 X 3/4 G5
8	4	YBHH16045	BOLT HEX, 1/2 X 1-1/4 G5
9	4	YWLO16005	WASHER LOCK, 1/2
10	4	YNHX16005	NUT HEX, 1/2
11	8	YNTL08005	NUT HEX, 1/4

FIGURE 3
TAIL ROLLER & COMPONENTS

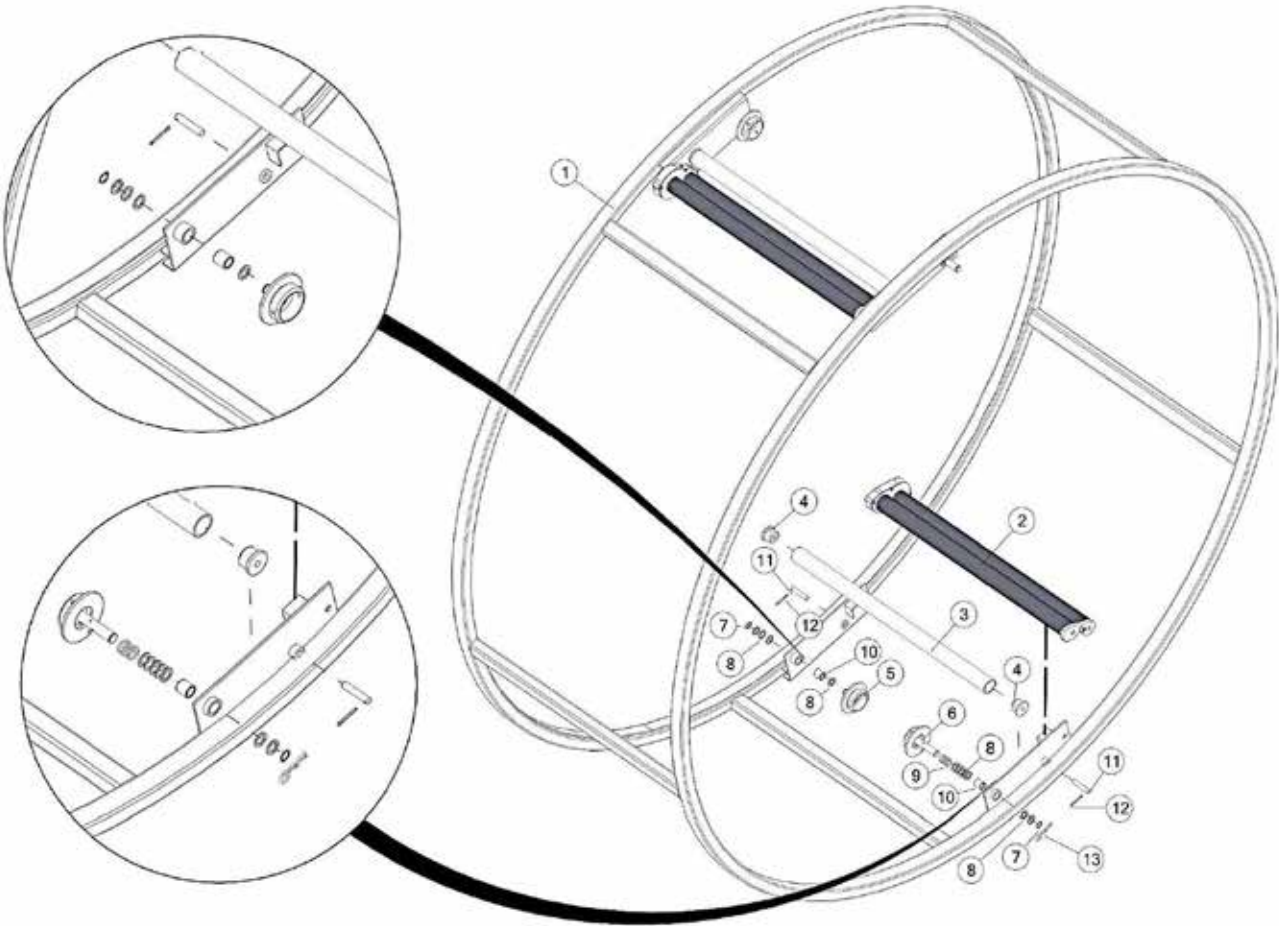


FIGURE 3
TAIL ROLLER & COMPONENTS

<u>ITEM</u>	<u>QTY</u>	<u>PART#</u>	<u>DESCRIPTION</u>
1	1	59446	HOOP
2	2	LW280	COMPLETE TENSIONER
3	2	LW348	PVC ROLLER
4	4	LW349	PVC ROLLER END SMALL
5	2	LW29	FRONT WRAP HOLDER
6	2	LW164	REAR WRAP HOLDER
7	4	10R32	SNAP RING
8	20	LW42	WASHER/SPACER
9	2	BFR240	SPRING
10	10	LW121	BRONZE BUSHING
11	4	LW50	WRAP PVC ROLLER SHAFT
12	4	YPCT05010	COTTER PIN, 5/32 X 1-1/2
13	2	YPHR02010	HAIR PIN

FIGURE 4 TENSION HEAD & COMPONENTS

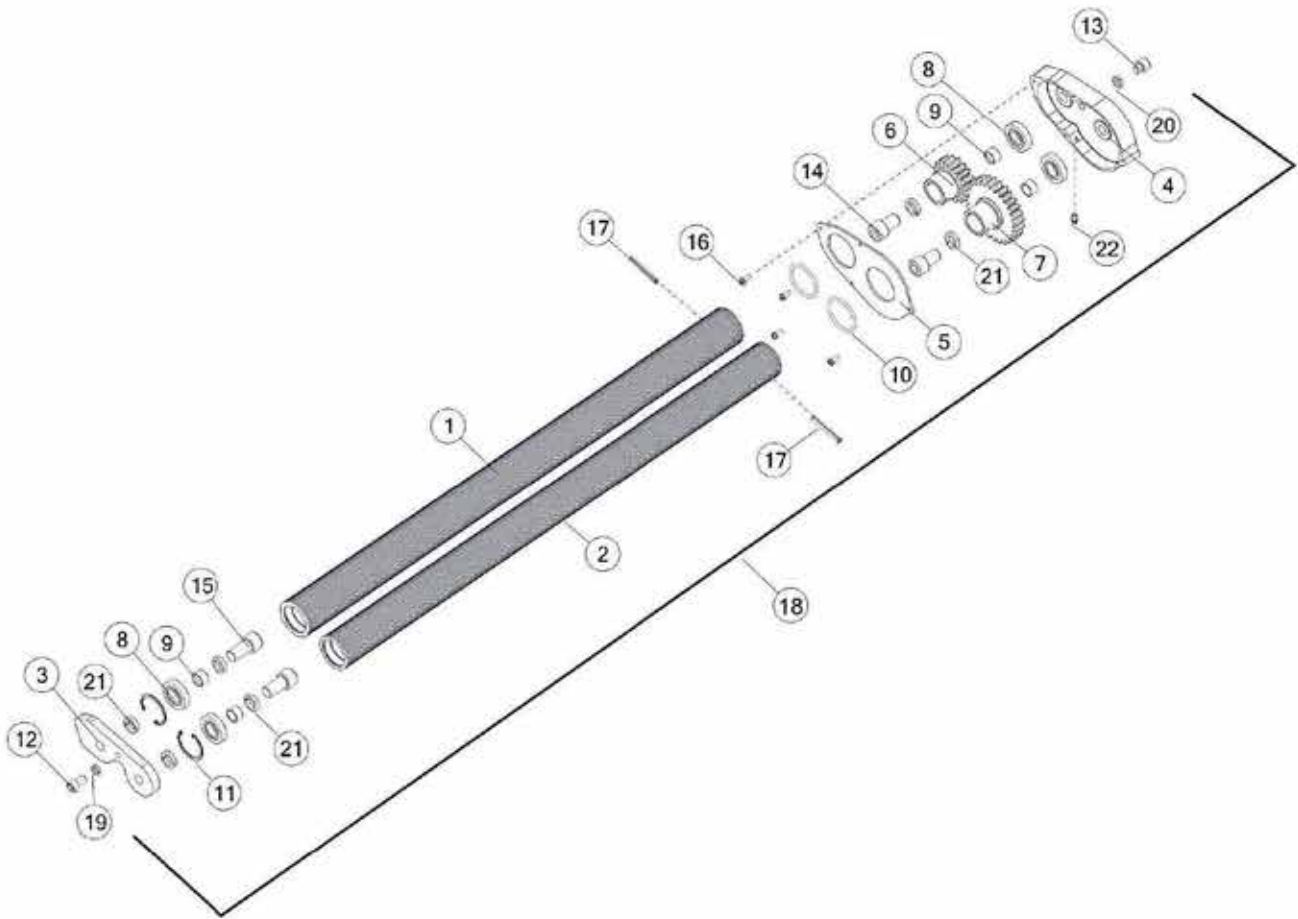


FIGURE 4

TENSION HEAD & COMPONENTS

<u>ITEM</u>	<u>QTY</u>	<u>PART#</u>	<u>DESCRIPTION</u>
1	1	LW279	ROLLER, LARGE
2	1	LW278	ROLLER, SMALL
3	1	LW271	IDLER END PLATE
4	1	LW257	GEAR CASE
5	1	LW264	GEAR CASE COVER
6	1	LW260	SPUR GEAR (18T)
7	1	LW261	SPUR GEAR (28T)
8	4	LW258	BEARING
9	4	LW259	BEARING BUSHING
10	2	LW266	SEAL, O-RING 1/8 X 1-3/4
11	2	LW269	RETAINER RING
12	1	YSHS12030	BOLT SOCKET, 3/8 X 5/8 G8
13	1	YSHS14005	BOLT SOCKET, 7/16 X1/2 G8
14	2	YSHS20007	BOLT SOCKET, 5/8 X 1 G8
15	2	YSHS20011	BOLT SOCKET, 5/8 X1-1/4 G8
16	2	YSMP64005	MACHINE PPHS, #10-32 X 1/2
17	2	YPEX08020	EXPANSION PIN, 1/4 X 2
18	1	LW280	COMPLETE TENSIONER
19	1	YWHC12005	WASHER, LOCK, HI COLLAR, 3/8
20	1	86729	SPACER
21	2	YWHC20005	WASHER, LOCK, HI COLLAR, 5/8
22	1	G89	STRAIGHT ZERK, 1/4

FIGURE 5 **SHIELD & COMPONENTS**

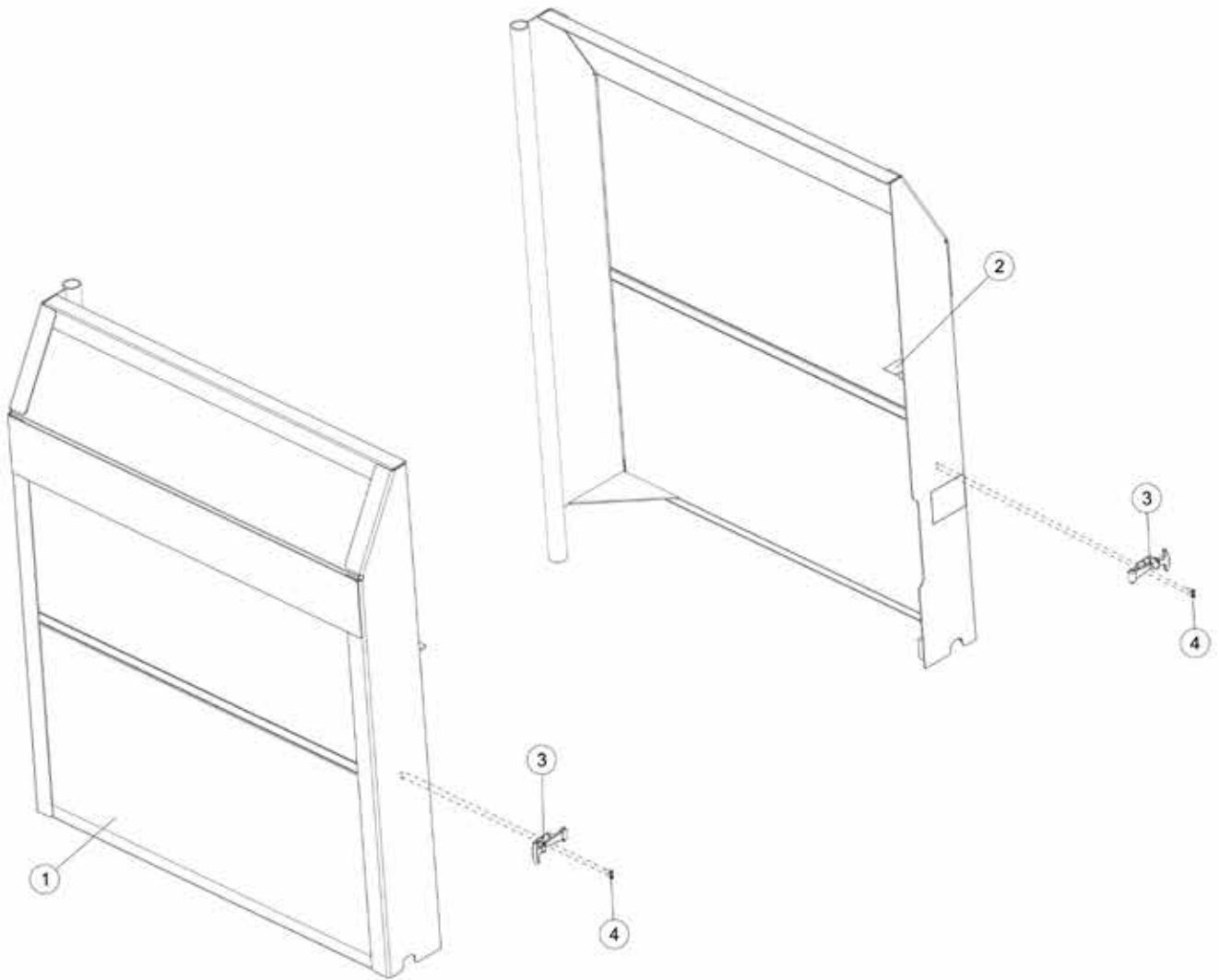


FIGURE 5
SHIELD & COMPONENTS

<u>ITEM</u>	<u>QTY</u>	<u>PART#</u>	<u>DESCRIPTION</u>
1	1	78718	HOOP SHIELD LH
2	1	78719	HOOP SHIELD RH
3	2	X233	LATCH ASSEMBLY
4	4	YSPN64005	SCREW, PAN HEAD #10-24 X 5/8

FIGURE 6 **HOOP ROLLER & COMPONENTS RH**

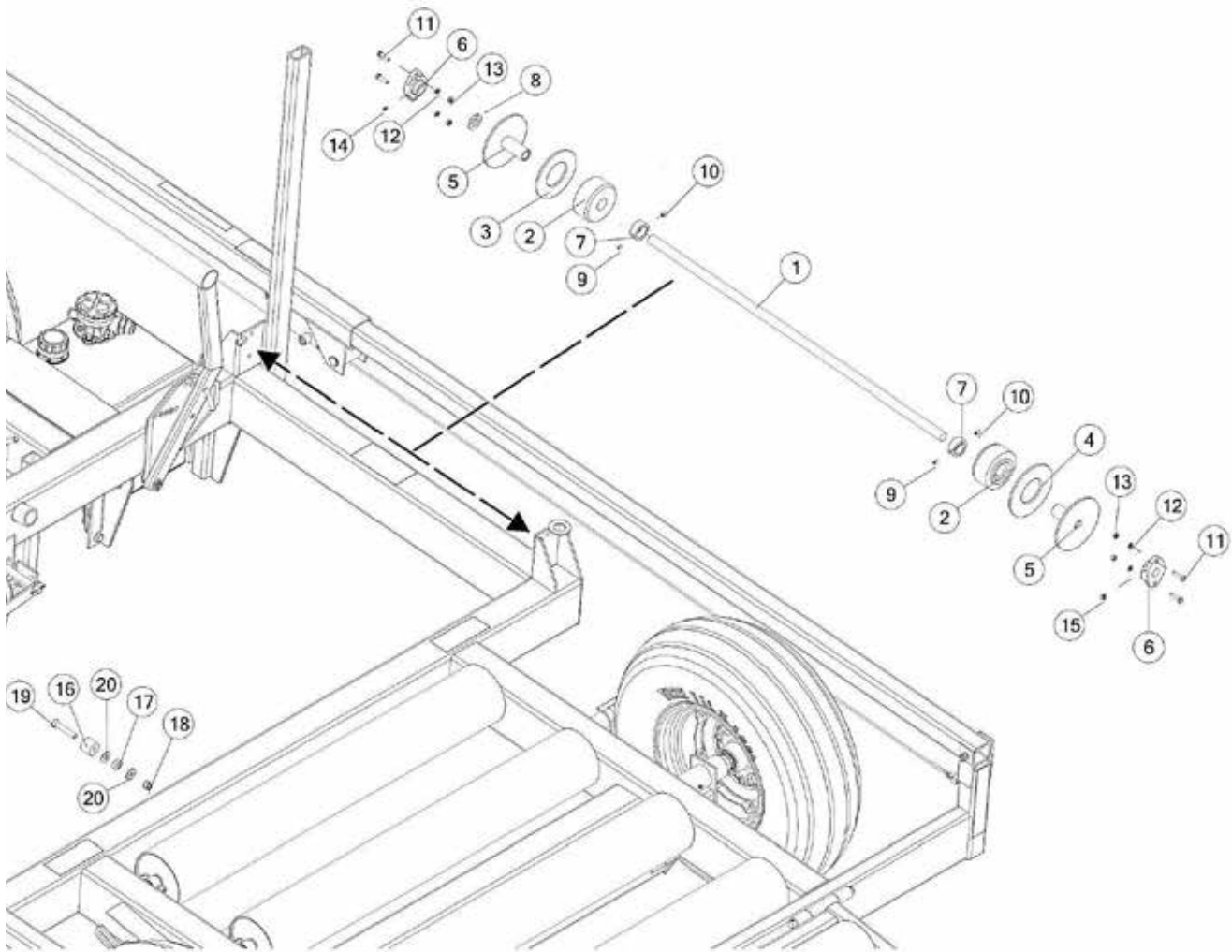


FIGURE 6

HOOP ROLLER & COMPONENTS RH

<u>ITEM</u>	<u>QTY</u>	<u>PART#</u>	<u>DESCRIPTION</u>
1	1	LW53	HOOP ROLLER SHAFT
2	2	LW22	HOOP ROLLER
3	1	LW341	HOOP ROLLER SIDE WASHER A
4	1	LW64	HOOP ROLLER SIDE WASHER
5	2	LW61	HOOP ROLLER HUB
6	2	T40	BEARING
7	2	LW60	HOOP ROLLER COLLAR
8	1	BFR33	WASHER
9	2	YSKP10010	SCREW SOCKET HEAD, 5/16 X 3/8
10	2	YSKP12010	SCREW SOCKET, 3/8 X 1/2
11	4	YBHH10045	BOLT HEX, 5/16 X 1-1/4 G5
12	4	YWLO10005	WASHER LOCK, 5/16
13	4	YNHX10010	NUT HEX, 5/16 G5
14	1	G89	STRAIGHT ZERK, 1/4 X 90
15	1	RG51	GREASE ZERK, 1/4, 90 DEGREE
16	1	LW67	REAR HOOP GUIDE
17	1	R65	SHIELD SPACER
18	1	YNNY16005	NUT HEX, 1/2 G2
19	1	YSFS16045	BOLT FLAT, SOK 1/2 X 3
20	2	YWFL16005	WASHER FLAT, 1/2

FIGURE 7 HOOP ROLLER & COMPONENTS LH

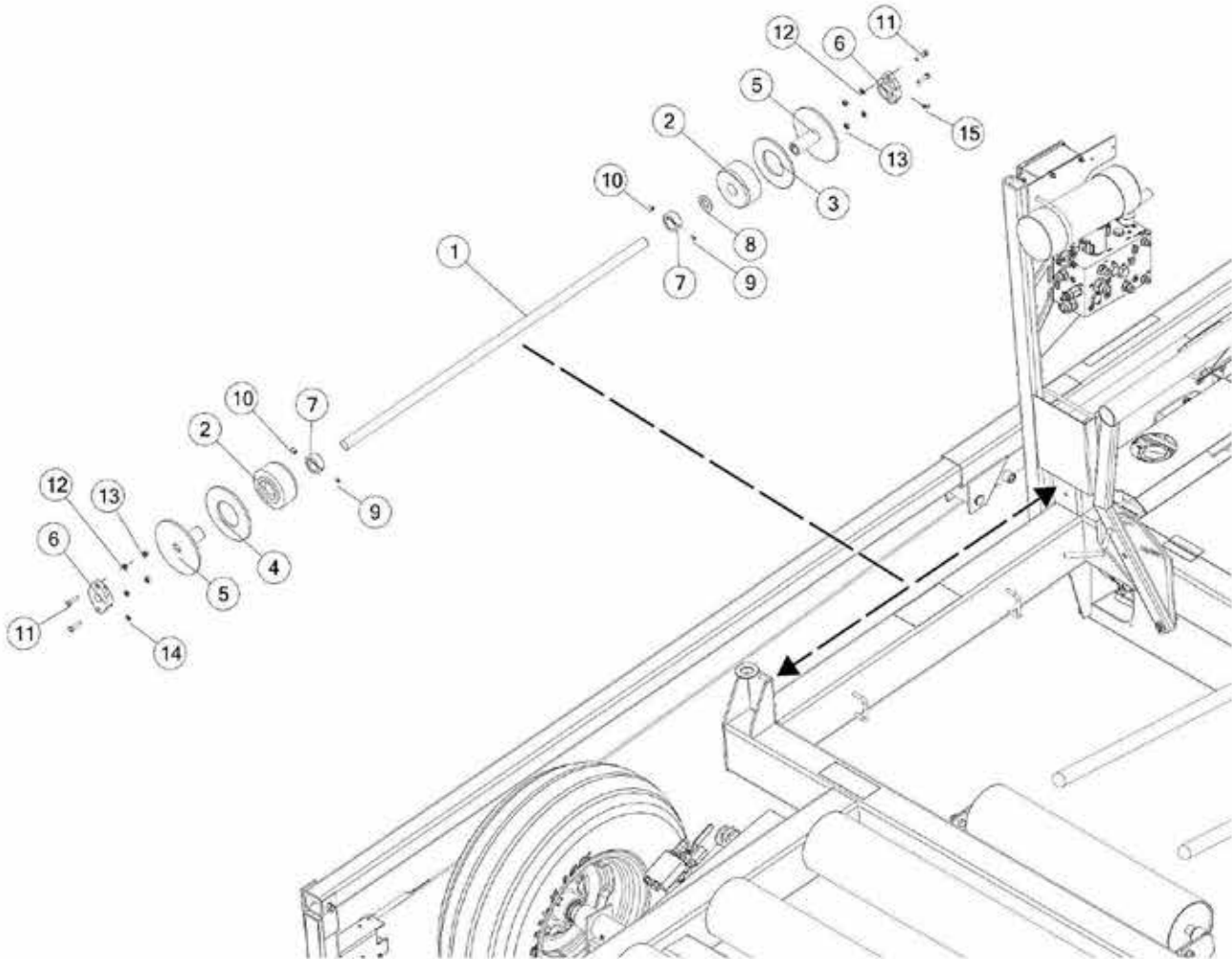


FIGURE 7
HOOP ROLLER & COMPONENTS LH

<u>ITEM</u>	<u>QTY</u>	<u>PART#</u>	<u>DESCRIPTION</u>
1	1	LW53	HOOP ROLLER SHAFT
2	2	LW22	HOOP ROLLER
3	1	LW341	HOOP ROLLER SIDE WASHER A
4	1	LW64	HOOP ROLLER SIDE WASHER
5	2	LW61	HOOP ROLLER HUB
6	2	T40	BEARING
7	2	LW60	HOOP ROLLER COLLAR
8	1	BFR33	WASHER
9	2	YSKP10010	SCREW SOCKET HEAD, 5/16 X 3/8
10	2	YSKP12010	SCREW SOCKET, 3/8 X 1/2
11	4	YBHH10045	BOLT HEX, 5/16 X 1-1/4 G5
12	4	YWLO10005	WASHER LOCK, 5/16
13	4	YNHX10010	NUT HEX, 5/16 G5
14	1	G89	STRAIGHT ZERK, 1/4 X 90
15	1	RG51	GREASE ZERK, 1/4, 90 DEGREE

FIGURE 8
FORKS & COMPONENTS

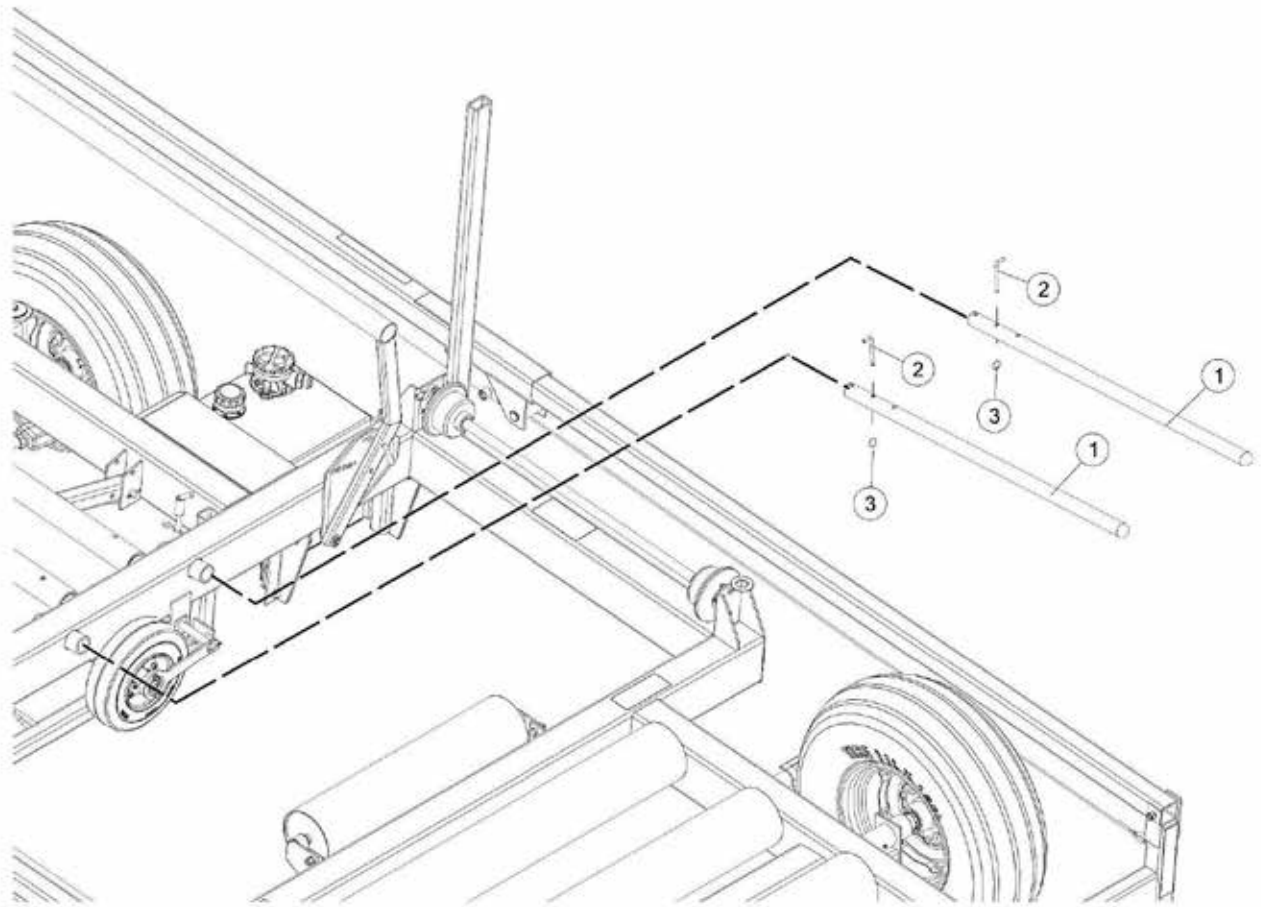


FIGURE 8
FORKS & COMPONENTS

<u>ITEM</u>	<u>QTY</u>	<u>PART#</u>	<u>DESCRIPTION</u>
1	2	LWSH23	FORK
2	2	LW169	CLEVIS PIN
3	2	LW170	CIRCLE COTTER PIN

FIGURE 9 REAR AXLE BEAM & COMPONENTS

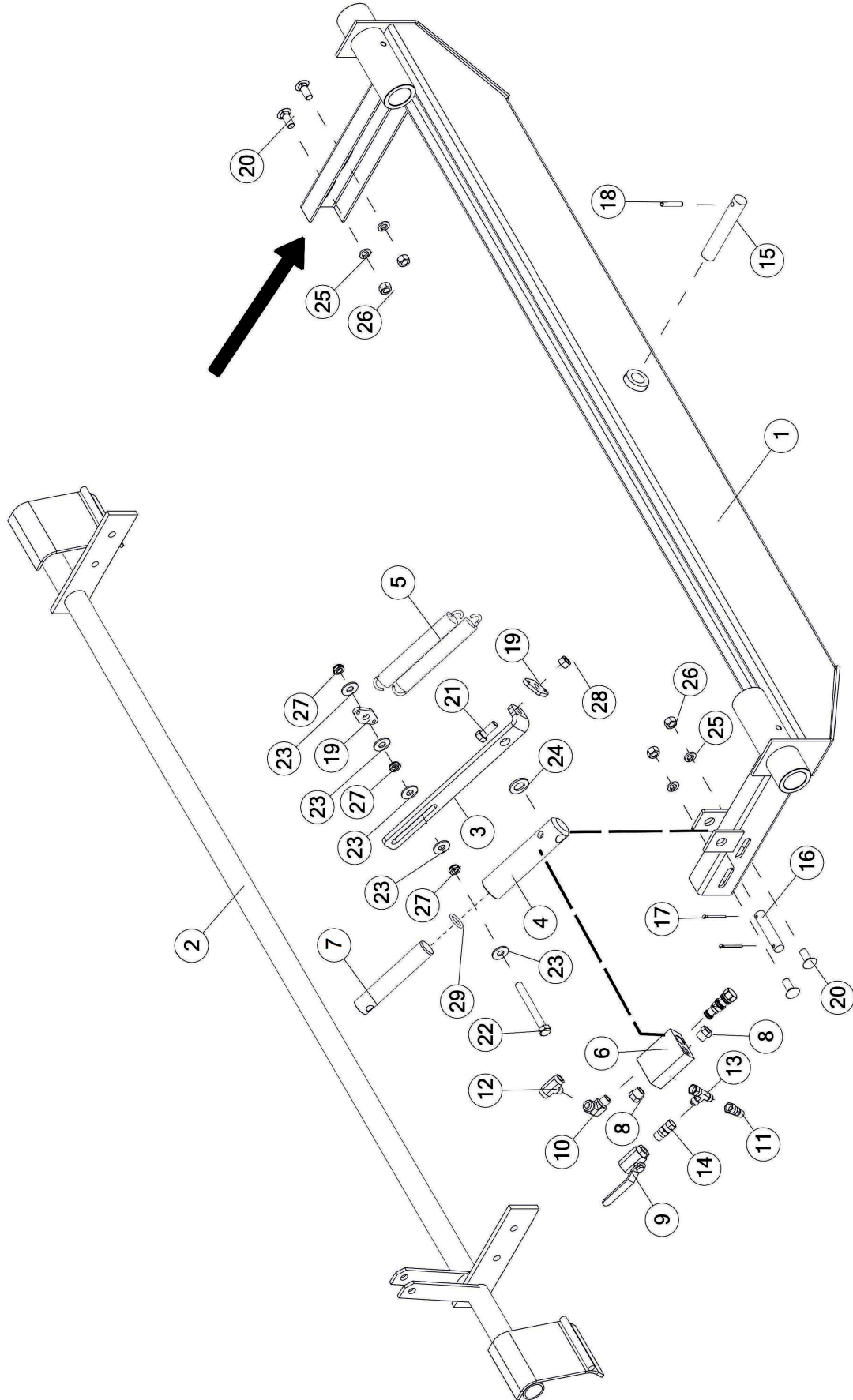


FIGURE 9

REAR AXLE BEAM & COMPONENTS

<u>ITEM</u>	<u>QTY</u>	<u>PART#</u>	<u>DESCRIPTION</u>
1	1	LW20	REAR AXLE
2	1	LW12	BRAKE
3	1	LW45	BRAKE CYLINDER STOP
4	1	LWSH27	HYDRAULIC CYLINDER
5	2	10R14	SPRING
6	1	WM176	VALVE
7	1	LWSH26	CARTRIDGE VALVE
8	2	1098	BUSHING
9	1	16SV338	BALL VALVE, 3/8
10	1	53435	STREET ELBOW
11	1	53428	FITTING MALE SWIVEL CONNECTOR
12	1	53436	FITTING MALE TEE
13	1	CHM242	FITTING TEE, 6JIC x 6JIC
14	1	CHM202	FITTING MALE SWIVEL CONNECTOR
15	1	LW43	REAR AXLE PIN
16	1	LW57	BRAKE CYLINDER PIN
17	2	YPCT05010	COTTER PIN, 5/32 X 1-1/2
18	1	YPEX10015	EXPANSION PIN, 5/16 X 1-3/4
19	2	54046	SPRING BRACKET
20	4	YBCR16015	BOLT CARRIAGE, 1/2 X 1-1/4 G5
21	1	YBHH16045	BOLT HEX, 1/2 X 1-1/4 G5
22	1	YBHH16145	BOLT HEX 1/2 X 4-1/2 G5
23	5	YWFL16005	WASHER FLAT, 1/2
24	1	YWFL24020	WASHER, FLAT, 3/4
25	4	YWLO16005	WASHER LOCK, 1/2
26	4	YNHX16005	NUT HEX, 1/2 G2
27	3	YNNJ16005	NUT JAM, 1/2 G2
28	1	YNRL16005	NUT HEX, 1/2
29	1	S99	O-RING

FIGURE 10 **REAR HUB & COMPONENTS**

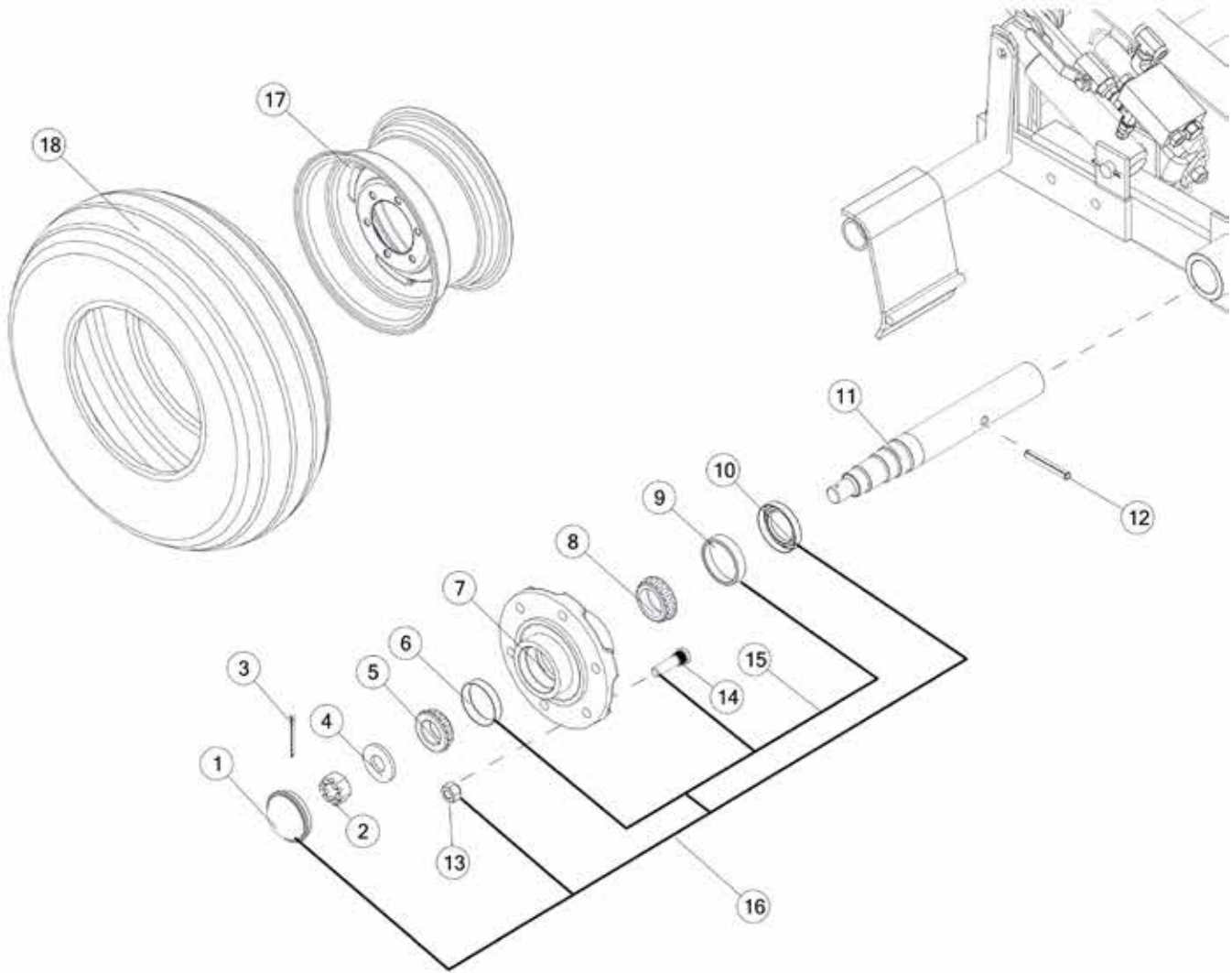


FIGURE 10

REAR HUB & COMPONENTS

<u>ITEM</u>	<u>QTY</u>	<u>PART#</u>	<u>DESCRIPTION</u>
1	2	17G144	HUB CAP
2	2	YNSL28005	NUT SLOT, 7/8 G2
3	2	YPCT05025	COTTER PIN, 5/31 X 2
4	2	HD200	WASHER
5	2	17G145	TAPERED BEARING
6	2	17G146	OUTER RACE
7	2	RG101	HUB W/RACE
8	2	12N18	TAPERED BEARING
9	2	12N19	INNER RACE
10	2	12N17	SEAL
11	2	LW27	SPINDLE
12	2	YPEX12025	EXPANSION PIN, 3/8 X 2-3/4
13	12	YNWL16005	WHEEL NUT, 1/2 G5
14	12	YBSD16005	BOLT STUD, 1/2 X 1-7/8 G5
15	2	RG101	HUB W/RACES
16	2	RG254	HUB COMPLETE
17	2	12N24	WHEEL, 15 X 8, 6 BOLT
18	2	UR2A	TIRE, 11L X 15SL
*	2	33417	COMPLETE TIRE AND WHEEL

***MEANS NOT SHOWN**

FIGURE 11 **DRIVE MOTOR & COMPONENTS**

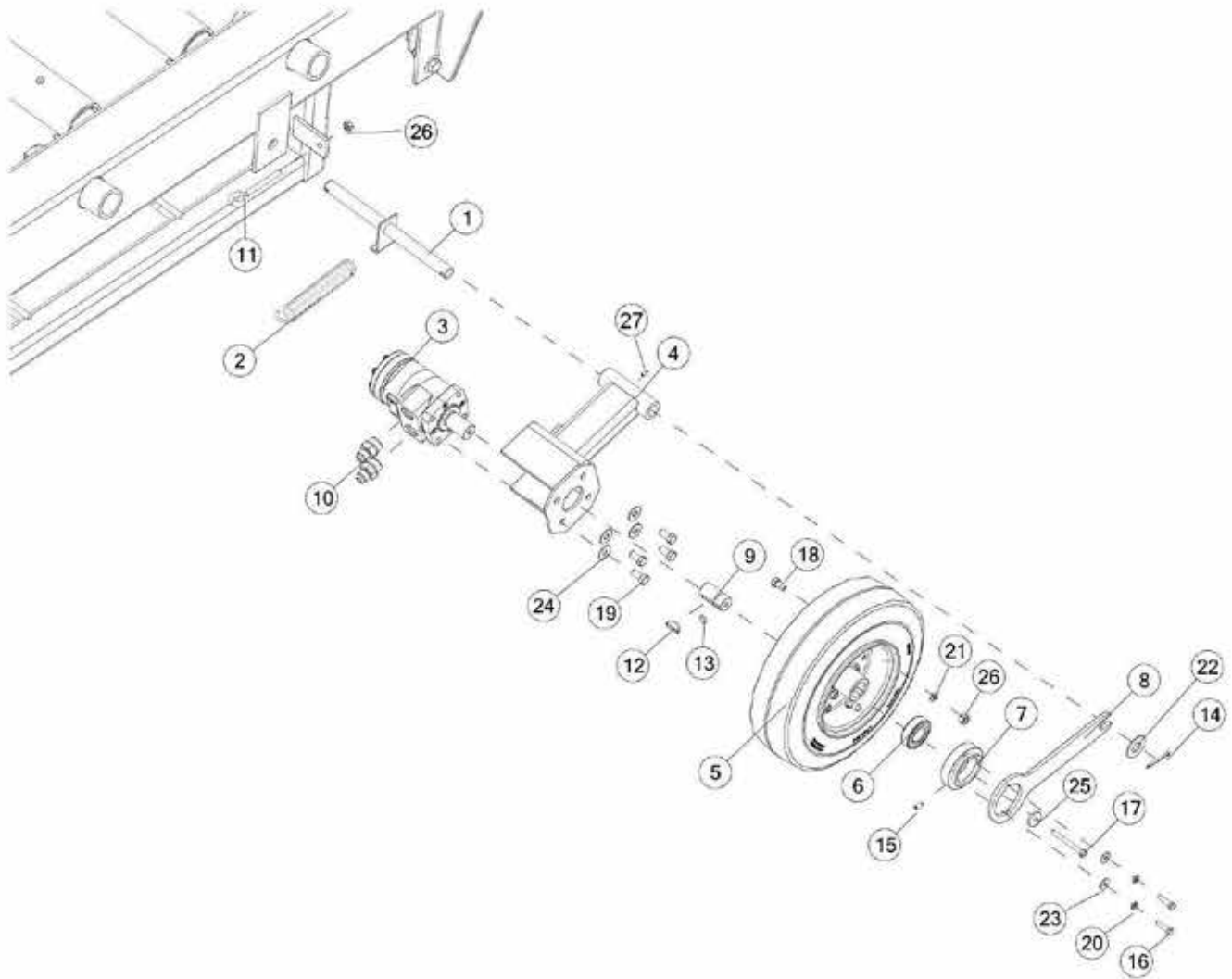


FIGURE 11

DRIVE MOTOR & COMPONENTS

<u>ITEM</u>	<u>QTY</u>	<u>PART#</u>	<u>DESCRIPTION</u>
1	1	LWWE144	MOTOR PIVOT SHAFT
2	1	ST36	SPRING
3	1	75811	HYDRAULIC MOTOR
4	1	LW11	HYDRAULIC MOTOR MOUNT
5	1	LW113A	DRIVE WHEEL
6	1	8643	ONE WAY BEARING
7	1	LWSH29	TORQUE ARM BEARING MOUNT
8	1	LW3G43	BEARING TORQUE ARM
9	1	LWSH25	ONE WAY BEARING SHAFT
10	2	GM27	FITTING, 8JIC
11	1	YBTE10030	BOLT TURNED EYE, 5/16 X 3
12	1	5B10	WOODRUFF KEY, 1/4 X 1
13	1	LWMS24	BEARING KEY
14	1	YPCT05010	COTTER PIN 5/32 X 1-1/2
15	1	YSKP08010	SOCKET SET SCREW, 1/4 X 1/2
16	2	YBHH08010	BOLT HEX, 1/4 X 1 G5
17	1	YBHH08055	BOLT HEX, 1/4 X 2-1/2 G5
18	6	YBHH10132	BOLT HEX, 5/16 X 5/8 G5
19	4	YBHH12135	BOLT HEX, 3/8 X 3/4 G5
20	2	YWLO08005	WASHER LOCK, 1/4
21	6	YWLO10005	WASHER LOCK, 5/16
22	1	16SV49	WASHER
23	2	YWFL08005	WASHER FLAT, 1/4
24	4	YWFL12005	WASHER FLAT, 3/8
25	1	LW10G32	BEARING SHAFT WASHER
26	7	YNHX10010	NUT HEX, 5/16 G5
27	1	G89	STRAIGHT ZERK, 1/4 X 90

FIGURE 12 **MANIFOLD ASSEMBLY**

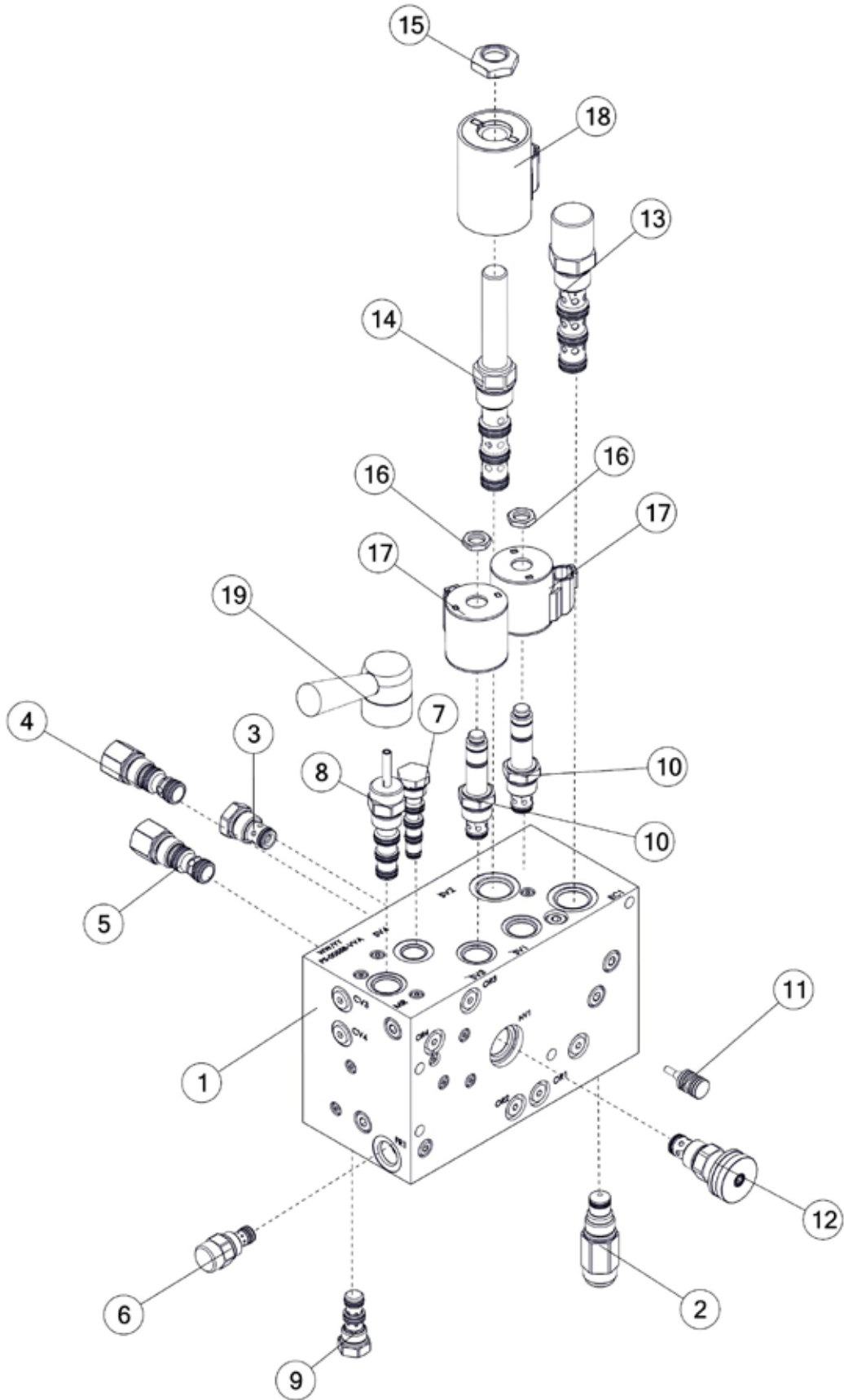


FIGURE 12

MANIFOLD ASSEMBLY

<u>ITEM</u>	<u>QTY</u>	<u>PART#</u>	<u>DESCRIPTION</u>
1	1	78450	MANIFOLD BODY
2	1	77061	HYD VALVE, 1500 PSI RELIEF
*	1	77135	SEAL KIT
3	1	77063	HYD VALVE, 30 PSI CHECK
*	1	77136	SEAL KIT
4	1	77064	HYD VALVE, 80 PSI LOGIC
*	1	77137	SEAL KIT
5	1	77065	HYD VALVE, 20 PSI LOGIC
*	1	77137	SEAL KIT
6	1	77066	HYD VALVE, FLOW CONTROL
*	1	77138	SEAL KIT
7	1	77075	DIRECTIONAL CAVITY PLUG
*	1	77134	SEAL KIT
8	1	78467	HYD VALVE, ROTARY
*	1	78786	SEAL KIT
9	1	78471	HYD VALVE, PILOT CHECK
*	1	78785	SEAL KIT
10	2	78864	HYD VALVE, DIRECTIONAL
*	2	77135	SEAL KIT
11	1	77062	HYD PISTON, 1 PILOT
12	1	LW318	HYD VALVE, NEEDLE ROTARY
*	1	LW319	SEAL KIT
13	1	77067	HYD VALVE, 160 PSI EC HYD
*	1	77139	SEAL KIT
14	1	77069	VALVE, DIRECTIONAL
*	1	77139	SEAL KIT
15	1	77077	HYD, SPOOL NUT, #12
16	2	77078	HYD, SPOOL NUT, #8
17	2	78469	ELEC COIL, POPPET FITTING
18	1	78473	ELEC COIL, FLOW CONTROL
19	1	78468	ROTARY HANDLE

***MEANS NOT SHOWN**

FIGURE 13
MANIFOLD & MANUAL HOLDER

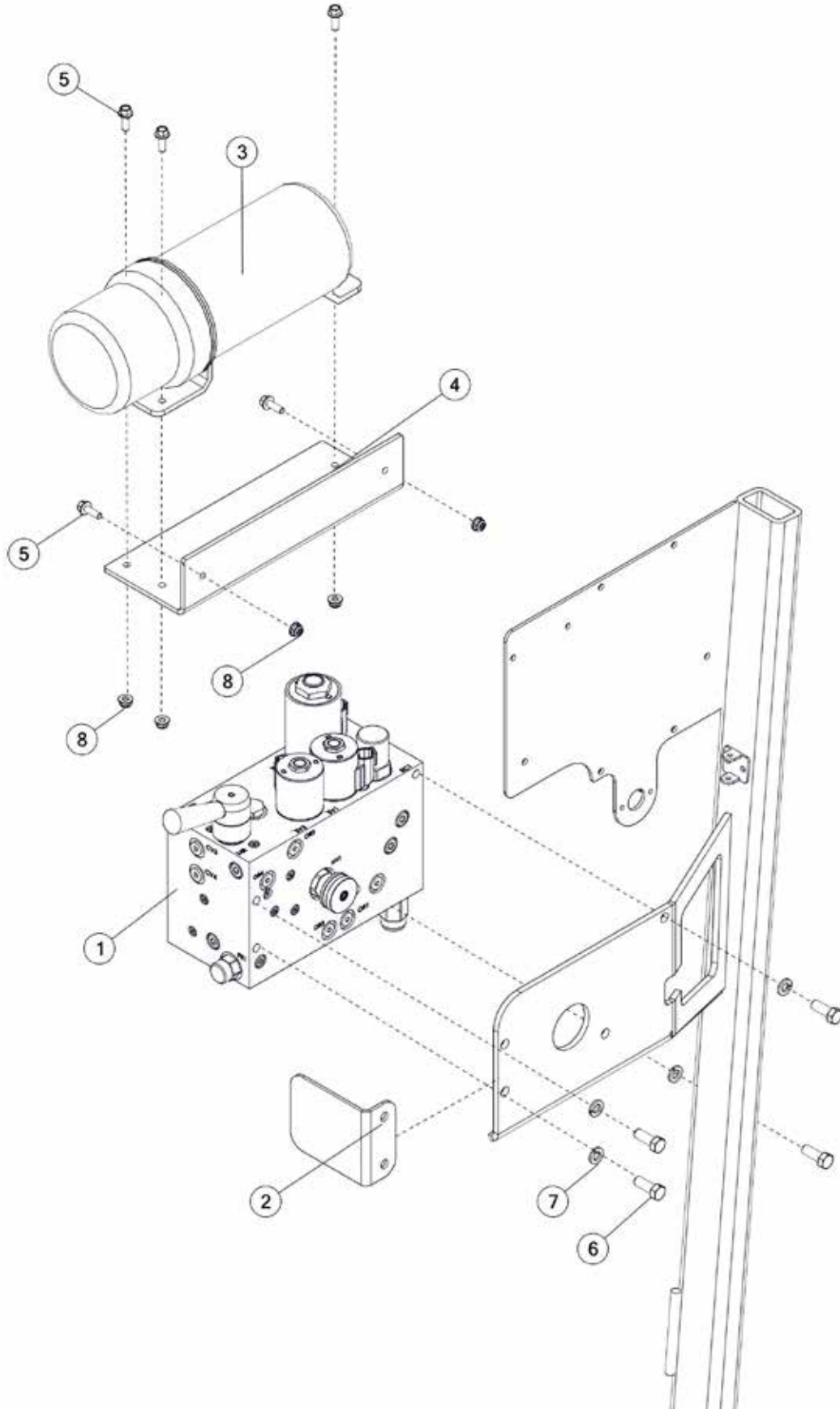


FIGURE 13
MANIFOLD & MANUAL HOLDER

<u>ITEM</u>	<u>QTY</u>	<u>PART#</u>	<u>DESCRIPTION</u>
1	1	78450	MANIFOLD BODY
2	1	78781	BRACKET
3	1	85453	MANUAL HOLDER
4	1	85456	MANUAL HOLDER BRACKET
5	5	YBFB08075	BOLT FLANGE, 1/4 X 3/4 G5
6	4	YBHH12015	BOLT, 3/8 X 1 G8
7	4	YWLO12010	WASHER LOCK, 3/8 G8
8	5	YNFG08010	NUT FLANGE , 1/4

FIGURE 14 **RISER COMPONENTS**

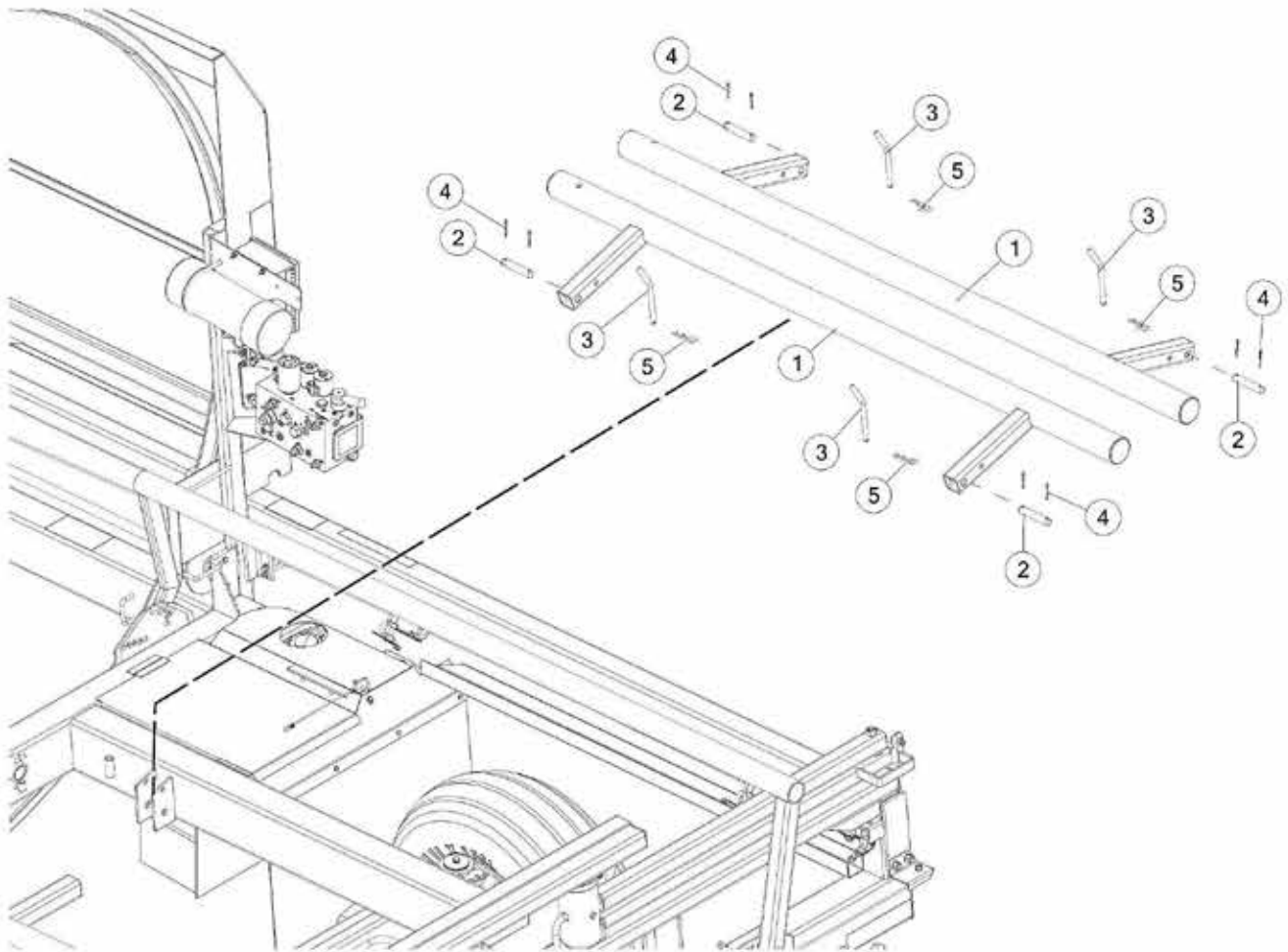


FIGURE 14
RISER COMPONENTS

<u>ITEM</u>	<u>QTY</u>	<u>PART#</u>	<u>DESCRIPTION</u>
1	2	LW10	BALE RISER
2	4	LW57	PIN
3	4	LW49	RISER PIN
4	8	YPCT05010	COTTER PIN, 5/32 X 1-1/2
5	2	YPHR02010	HAIR PIN

FIGURE 15
BALE GUIDE COMPONENTS

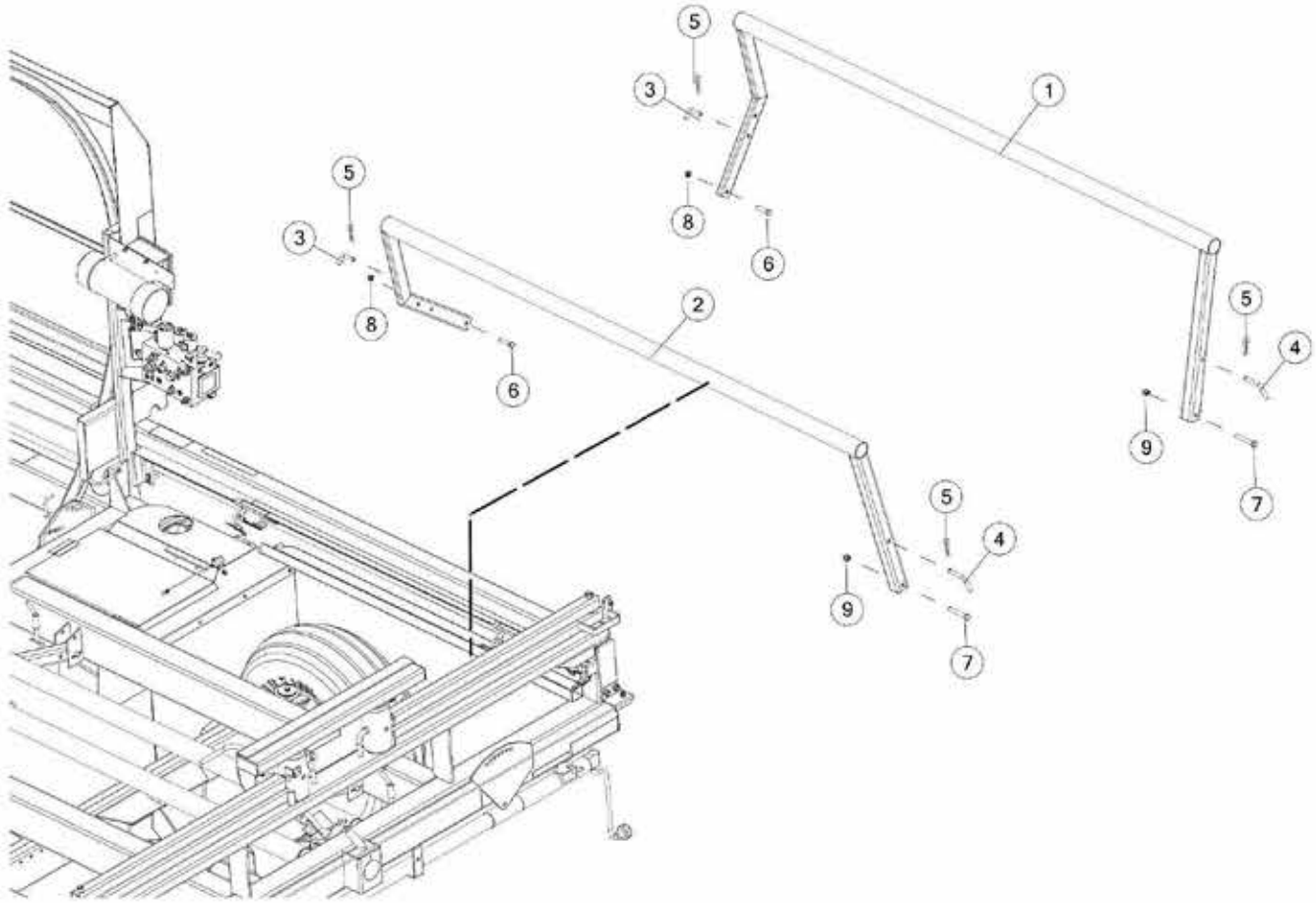


FIGURE 15
BALE GUIDE COMPONENTS

<u>ITEM</u>	<u>QTY</u>	<u>PART#</u>	<u>DESCRIPTION</u>
1	1	LW8	BALE GUIDE LH
2	1	LW9	BALE GUIDE RH
3	2	LW51	BACK BALE GUIDE PIN
4	2	LW52	FRONT BALE GUIDE PIN
5	4	YPHR02010	HAIR PIN
6	2	YBHH16065	BOLT HEX, 1/2 X 2 G5
7	2	YBHH16120	BOLT HEX, 1/2 X 3-1/4 G5
8	2	YNNJ16005	NUT JAM, 1/2 LKNY G2
9	2	YNNY16005	NUT HEX, 1/2 LKNY G2

FIGURE 16
FRONT HUB & COMPONENTS

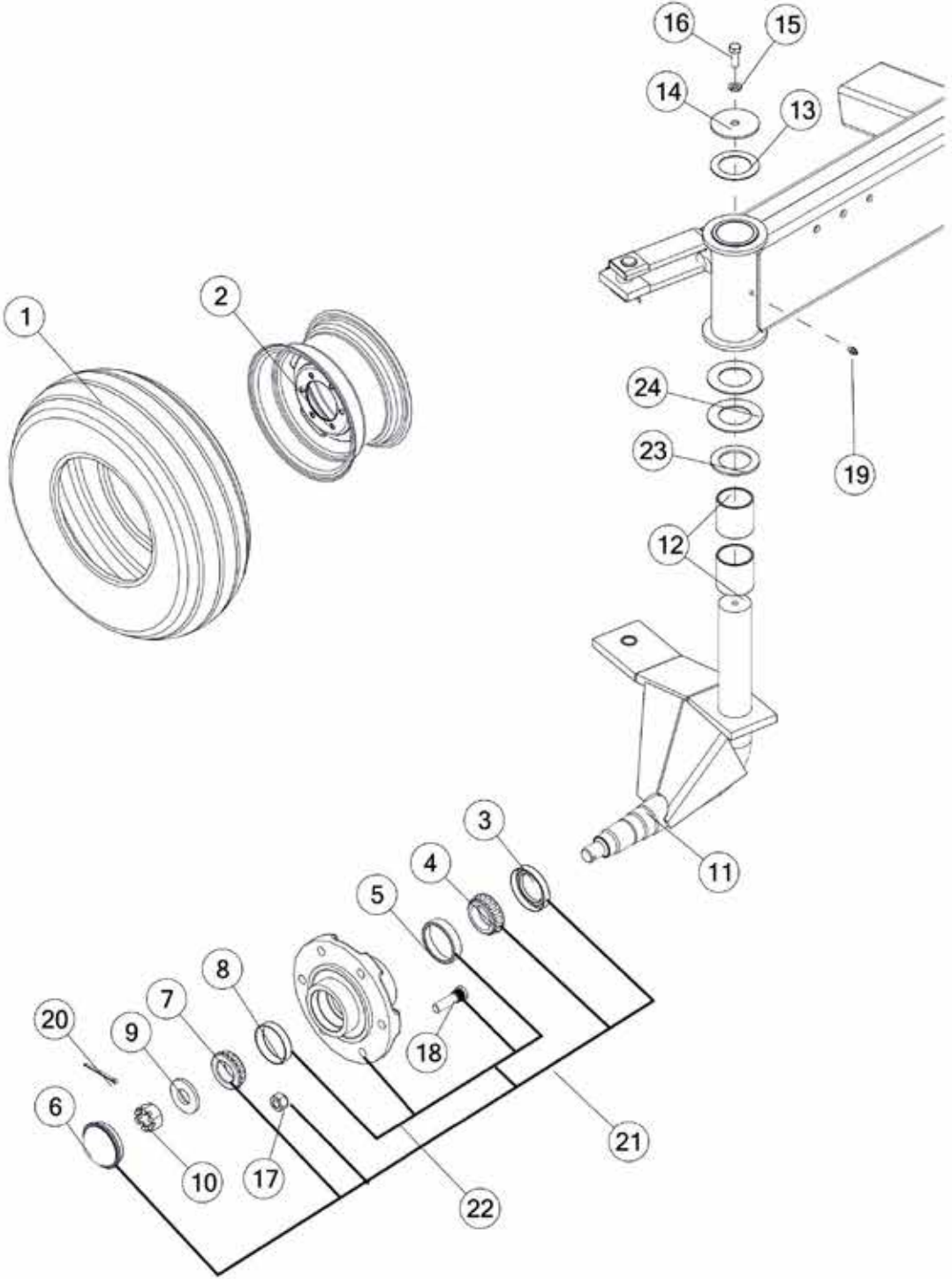


FIGURE 16

FRONT HUB & COMPONENTS

<u>ITEM</u>	<u>QTY</u>	<u>PART#</u>	<u>DESCRIPTION</u>
1	2	UR2A	TIRE, 11L X 15
2	2	12N24	WHEEL, 15 X 8, 6-BOLT
3	2	12N17	SEAL
4	2	12N18	TAPER BEARING
5	2	12N19	INNER RACE
6	2	17G144	HUB CAP
7	2	17G145	ROLLER BEARING
8	2	17G146	OUTER RACE
9	2	HD200	WASHER
10	2	YNSL28005	NUT SLOT, 7/8 G2
11	1	RG86	SPINDLE, FRONT RH
*	1	RG93	SPINDLE, FRONT LH
12	4	RGT3	BRONZE BUSHING
13	2	RG90	WASHER
14	2	RG89	SPINDLE CAP, FRONT
15	2	YWLO12005	WASHER, LOCK, 3/8
16	2	YBHH12010	BOLT HEX, 3/8 X 1 G5
17	12	YNWL16005	NUT WHEEL, 1/2 G5
18	12	YBSD16005	BOLT STUD, 1/2 X 1-7/8 G5
19	2	G89	STRAIGHT ZERK, 1/4 X 90
20	2	YPCT05025	COTTER PIN, 5/32 X 2
21	2	RG254	COMPLETE HUB
22	2	RG101	HUB W/RACES
23	2	RG87	THRUST WASHER
24	2	RG88	THRUST WASHER
*	2	33417	COMPLETE TIRE AND WHEEL

***MEANS NOT SHOWN**

FIGURE 17 STEERING COMPONENTS

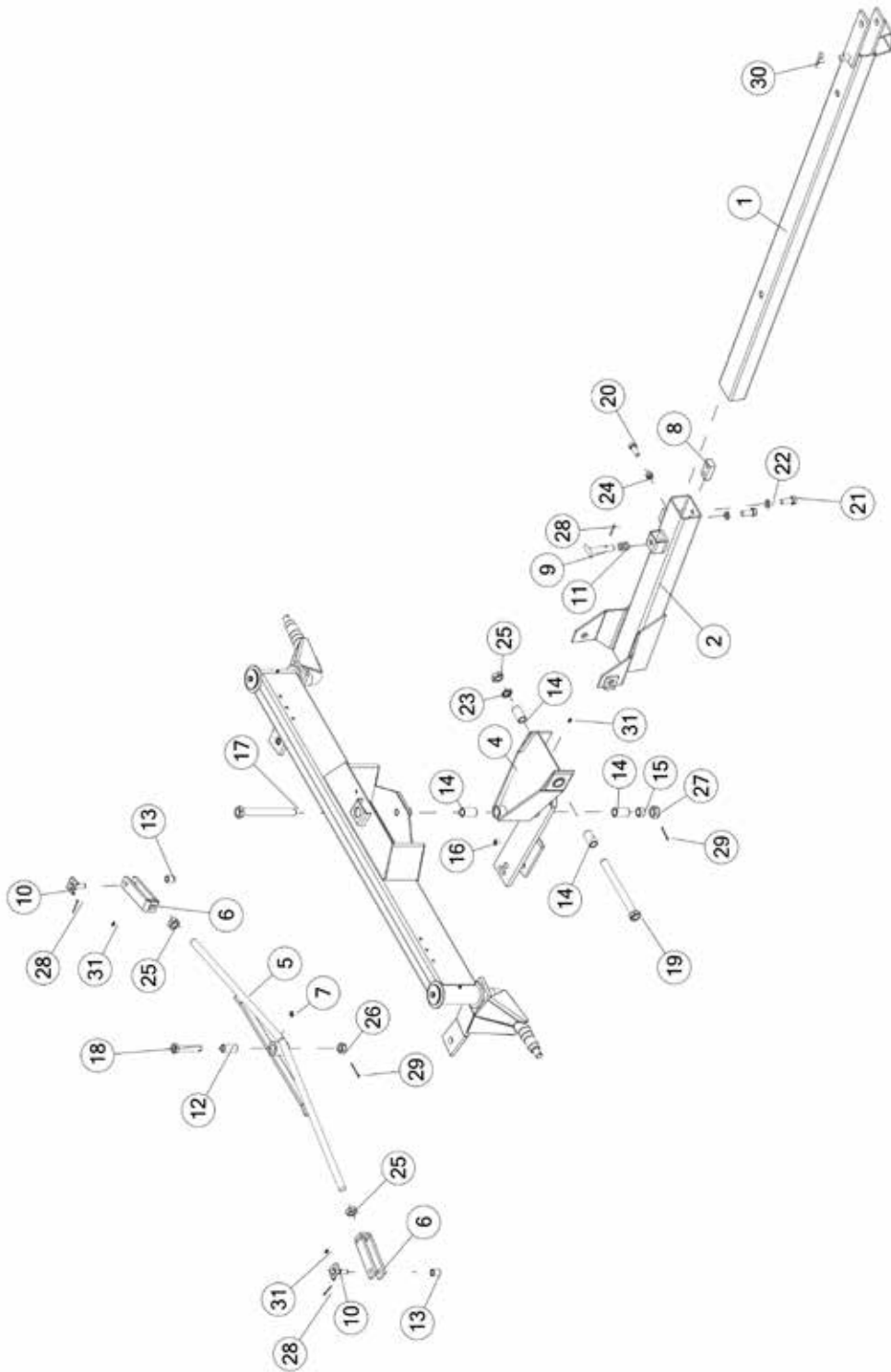


FIGURE 17

STEERING COMPONENTS

<u>ITEM</u>	<u>QTY</u>	<u>PART#</u>	<u>DESCRIPTION</u>
1	1	LW16	INNER POLE
2	1	LW15	OUTER POLE
3	1	RG51	GREASE ZERK, 1/4, 90 DEG
4	1	LW44	POLE PIVOT
5	1	RG83	TIE ROD
6	2	RG91	CLEVIS
7	1	RG21	GREASE ZERK, 45 DEG
8	1	RG291	TELEPOLE STOP
9	1	BFR241	ADJUSTMENT HANDLE
10	1	RG30	CLEVIS PIN
11	2	BFR240	SPRING
12	1	RG18	BRONZE BUSHING
13	1	RG31	BRONZE BUSHING
14	2	RG77	BRONZE BUSHING
15	4	RG81	BRONZE BUSHING
16	1	RG51	GREASE ZERK, 1/4 X 90
17	1	RG287	QUEEN PIN
18	1	RG33	TIE ROD CENTER BOLT
19	1	RG85	POLE PIN
20	1	YBHH16025	BOLT HEX, 1/2 X 1-1/2 G2
21	2	YBHH20010	BOLT HEX, 5/8 X 1-1/2 G5
22	2	YWLO20005	WASHER LOCK, 5/8
23	1	YWSI28005	WASHER LOCK STAR, 7/8
24	1	YNHX16005	NUT HEX, 1/2 G2
25	3	YNJM28005	NUT JAM, 7/8
26	1	YNLS24010	NUT SLOTTED, 3/4 G2
27	1	YNLS28005	NUT SLOTTED, 7/8 G2
28	2	YPCT05010	COTTER PIN 5/32 X 1-1/2
29	2	YPCT05025	COTTER PIN, 5/32 X 2
30	1	YPHR02010	HAIR PIN
31	3	G89	STRAIGHT ZERK, 1/4 X 90

FIGURE 18 **PUSH-OFF COMPONENTS**

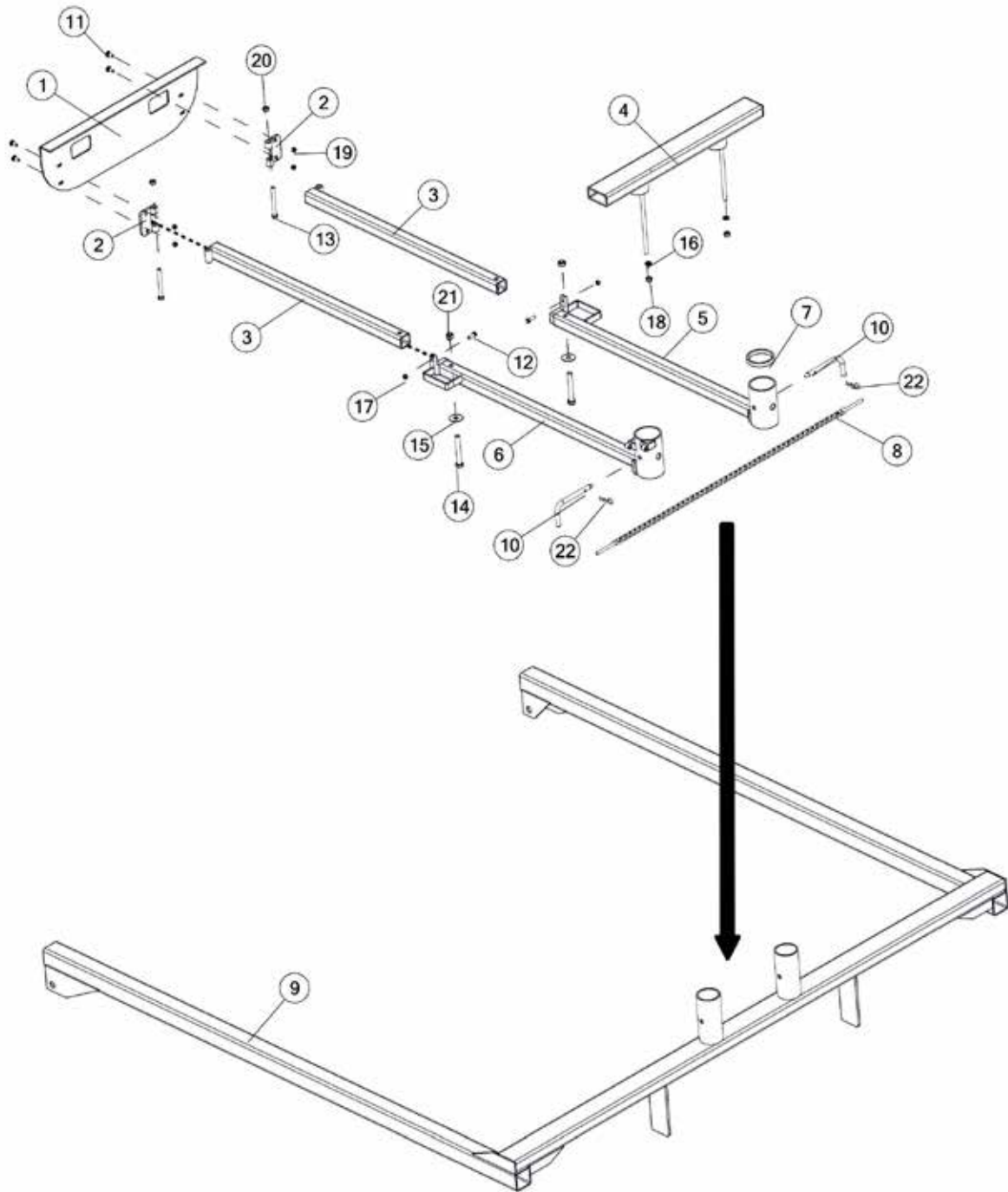


FIGURE 18

PUSH-OFF COMPONENTS

<u>ITEM</u>	<u>QTY</u>	<u>PART#</u>	<u>DESCRIPTION</u>
1	1	LW344	PUSH OFF PLATE
2	2	LW345	PUSHER HINGE TAB
3	2	LW70	PUSH OFF ARMS SECONDARY
4	1	LW69	PUSHER TOP
5	1	73719	PUSH OFF ARM LH
6	1	73720	PUSH OFF ARM RH
7	1	LW284	SPACER
8	1	LW71	CHAIN
9	1	LW3	PUSHER
10	2	LW21	LOCKING PIN
11	4	YBCR12010	BOLT CARRIAGE, 3/8 X 1 G5
12	2	YSHS12005	BOLT SOCKET, 3/8 G8
13	2	YBHH16150	BOLT HEX, 1/2 X 4-3/4 G5
14	2	YBHH20075	BOLT HEX, 5/8 X 4-3/4 G5
15	2	LW376	PUSH OFF WASHER
16	2	YWLO16005	WASHER LOCK, 1/2
17	2	YNHX12005	NUT HEX, 3/8
18	2	YNHX16005	NUT HEX, 1/2 G2
19	4	YNRL12005	NUT HEX, 3/8
20	2	YNL16005	NUT HEX, 1/2 G5
21	2	YNL20005	NUT HEX, 5/8
22	2	YPHR02010	HAIR PIN

FIGURE 19 **SAFETY CABLE & COMPONENTS**

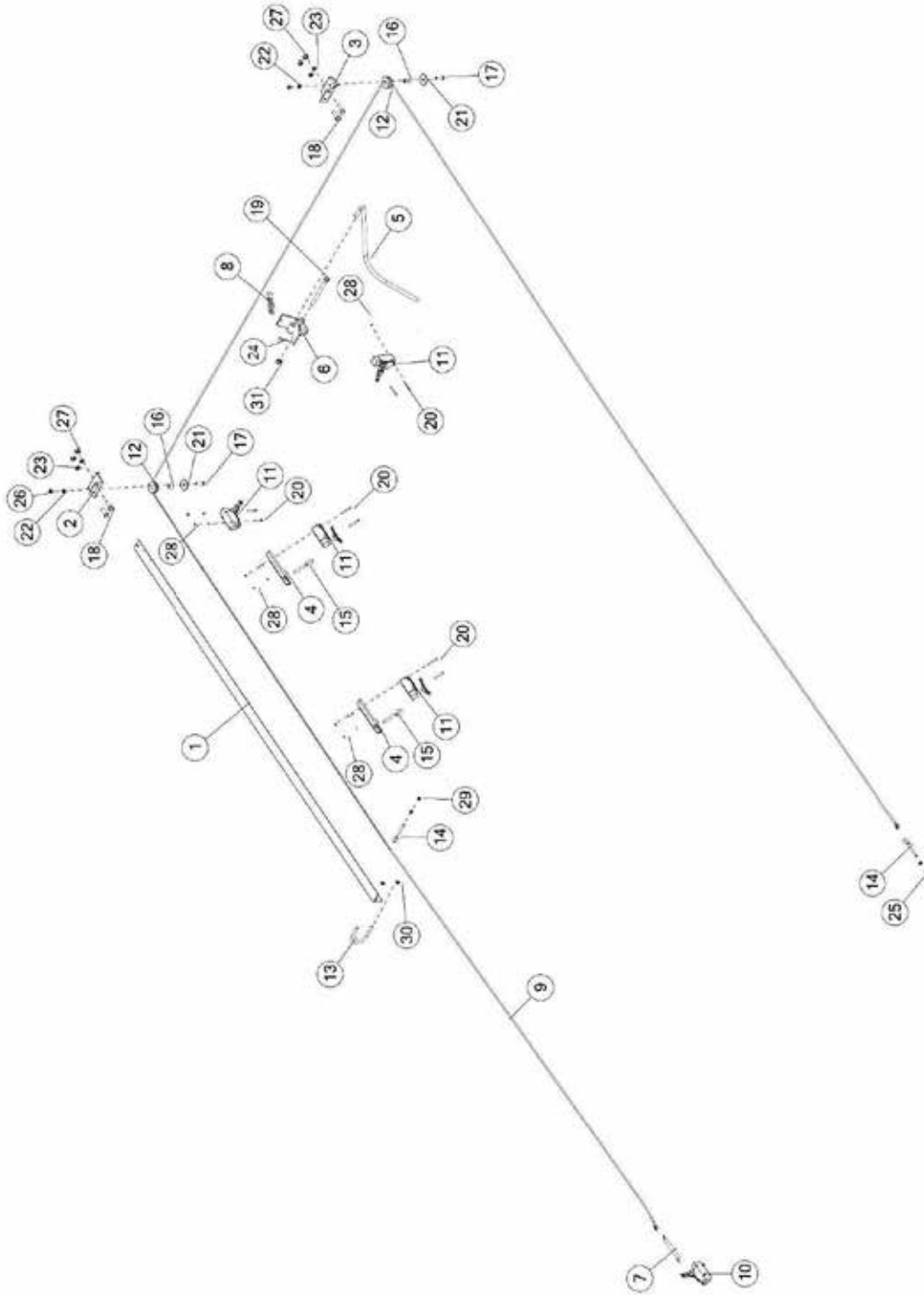


FIGURE 19

SAFETY CABLE & COMPONENTS

<u>ITEM</u>	<u>QTY</u>	<u>PART#</u>	<u>DESCRIPTION</u>
1	1	LW31	SWITCH SLIDE RAIL
2	1	LW35	SAFETY PULLEY MOUNT LH
3	1	LW36	SAFETY PULLEY MOUNT RH
4	2	LW32	LIMIT SWITCH SLIDE
5	1	LW19	START TRIGGER ARM
6	1	LW18	START TRIGGER PIVOT
7	1	LW111	SAFETY SPRING
8	1	R27	SPRING
9	1	78704	SAFETY CABLE
10	1	78770	MICRO SAFETY SWITCH
11	4	LW78	MICRO SWITCH
12	2	BFR292	PULLEY
13	1	YBPU12015	BOLT U, 3/8 X 3
14	2	YBTE10030	BOLT TURNED EYE, 5/16 X 3
15	2	YBTE12015	BOLT TURNED EYE, 3/8 X 2-1/2
16	2	ST81	EXTENSION SPACER, 11/16
17	2	YBHH12025	BOLT HEX, 3/8 X 1-1/2 G5
18	4	YBHH16025	BOLT HEX, 1/2 X 1-1/2 G2
19	1	YBHH16165	BOLT HEX, 1/2 X 6 G5
20	4	YSHS64010	BOLT SOCKET, #10-32 X1-3/4 G8
21	2	YWCU12005	WASHER FLAT, 3/8
22	2	YWLO12005	WASHER LOCK, 3/8
23	4	YWLO16005	WASHER LOCK, 1/2
24	1	YPHR02005	HAIR PIN
25	1	YNHX10005	NUT HEX, 5/16
26	2	YNHX12005	NUT HEX, 3/8
27	4	YNHX16005	NUT HEX, 1/2 G2
28	6	YNLK64005	NUT KEPS, #10-32
29	1	YNJM10005	NUT JAM, 5/16
30	2	YNJM12005	NUT JAM, 3/8
31	1	YNNY16005	NUT HEX, 1/2 G2

FIGURE 20 **ENGINE GUARD PANELS**

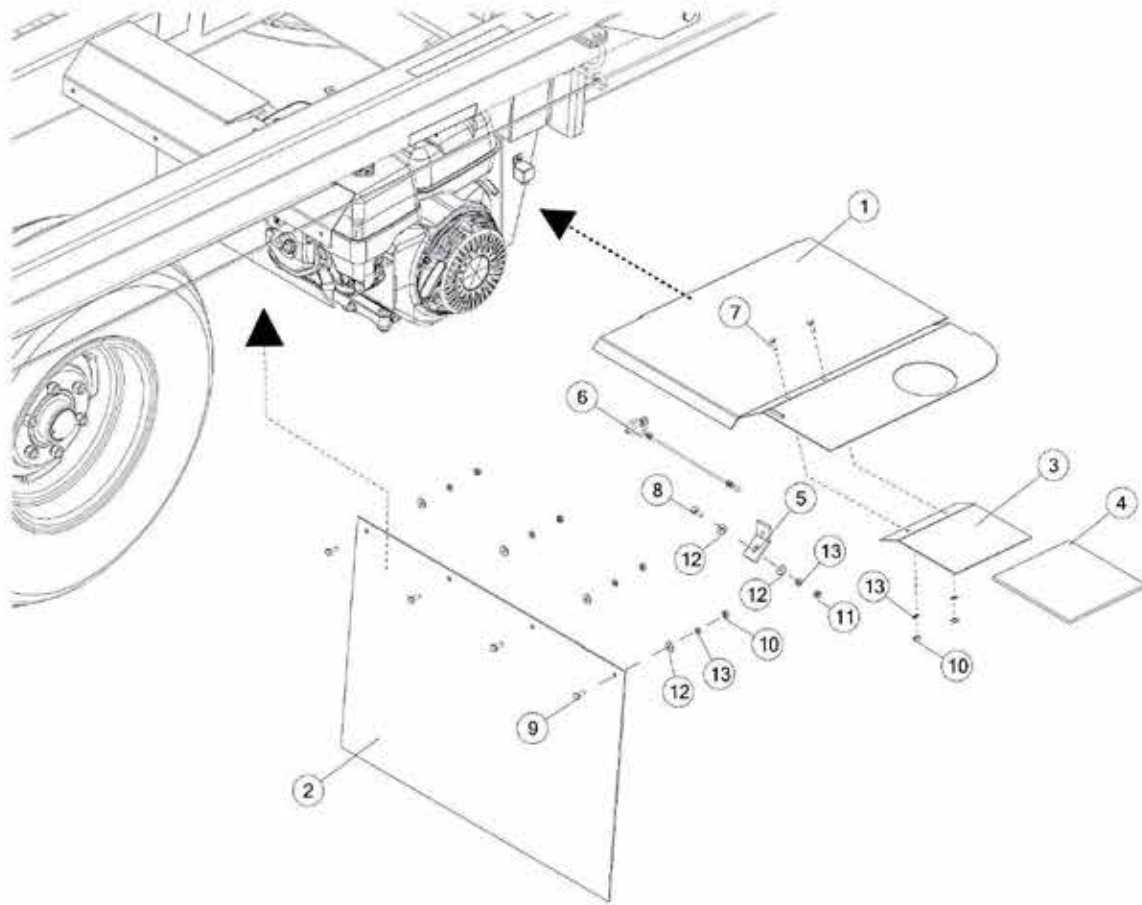


FIGURE 20 ENGINE GUARD PANELS

<u>ITEM</u>	<u>QTY</u>	<u>PART#</u>	<u>DESCRIPTION</u>
1	1	LW33	ENGINE COVER
2	1	LW68	MUD FLAP
3	1	LW168	HEAT SHIELD
4	1	MS22	FLAME RETARDENT PAD
5	1	LW46	ENGINE SHIELD CLIP
6	1	S122	LYNCH PIN W/LANYARD
7	2	YBCR08040	BOLT CARRIAGE, 1/4 X 3/4 G5
8	1	YBHH08010	BOLT HEX, 1/4 X 1 G5
9	4	YBHH08100	BOLT HEX, 1/4 X 3/4 G5
10	6	YNHX08005	NUT HEX, 1/4 G5
11	1	YNHX08007	NUT HEX, 1/4 G5
12	6	YWFL08005	WASHER FLAT, 1/4
13	7	YWLO08005	WASHER LOCK, 1/4

FIGURE 21
TAIL CYLINDER

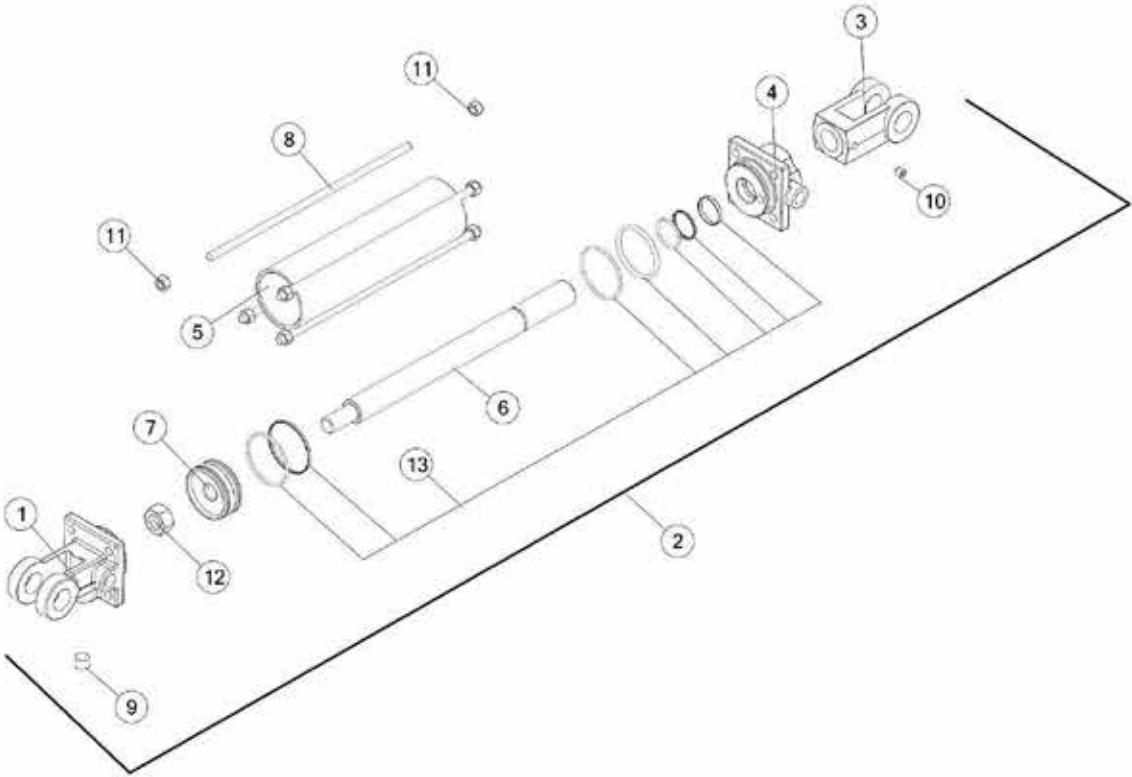


FIGURE 21 TAIL CYLINDER

<u>ITEM</u>	<u>QTY</u>	<u>PART#</u>	<u>DESCRIPTION</u>
1	1	56173	CLEVIS CAP
2	1	56006	HYDRAULIC CYLINDER, 2-1/2 X 8
3	1	23N150A	ROD CLEVIS
4	1	56175	ROD CAP
5	1	T185	CYLINDER TUBE
6	1	T184A	CYLINDER ROD
7	1	56181	PISTON
8	4	T186	TIE ROD
9	1	23N149	PLUG
10	1	YSSO12015	SET SCREW, SOCKET, 3/8 X 3/8
11	8	YNHX12006	NUT HEX, 3/8 G2
12	1	23N148	PISTON NUT
13	1	56188	SEAL KIT

FIGURE 22 HYDRAULIC TANK & COMPONENTS

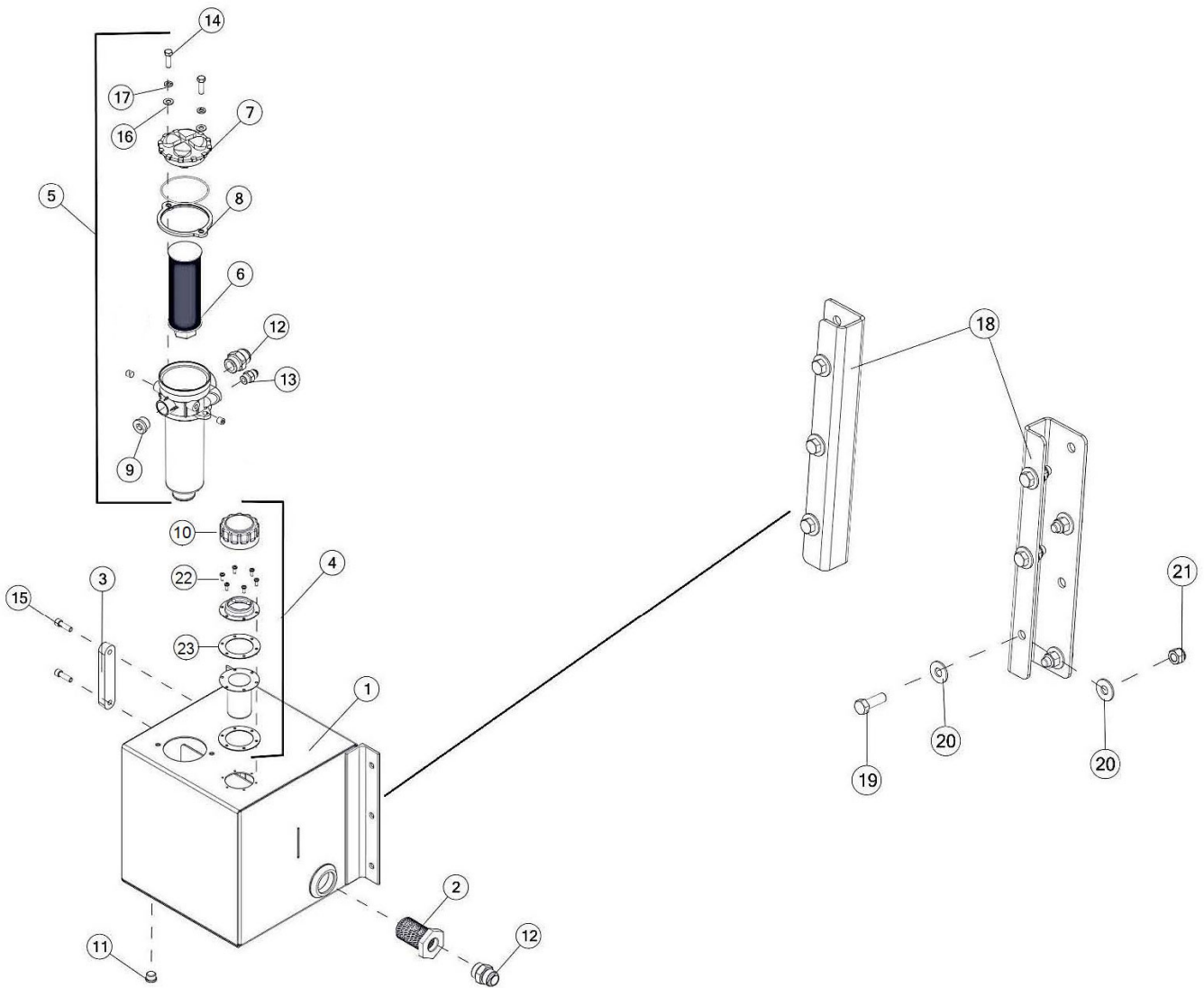


FIGURE 22

HYDRAULIC TANK & COMPONENTS

<u>ITEM</u>	<u>QTY</u>	<u>PART#</u>	<u>DESCRIPTION</u>
1	1	76223	TANK
2	1	76227	SCREEN
3	1	78772	GUAGE
4	1	78773	FILTER ASSEMBLY
5	1	76187	TANK FILTER ASSEMBLY
6	1	77420	OIL FILTER
7	1	78776	FILTER HOUSING CAP
8	1	78779	SEAL KIT
9	1	58166	HEX PLUG, 8
10	1	78775	PIPE PLUG, 1/4
11	1	58166	HEX PLUG 8
12	1	TFM23	FITTING, 16JIC X 16ORB
13	1	TS137	FITTING, 8JIC X 8ORB
14	2	YBHH12035	BOLT HEX, 3/8 X 1-1/4 G5
15	2	YSHS12005	BOLT SOCKET, 3/8 X 1-1/4 G8
16	2	YWFL12010	WASHER FLAT, 3/8 SAE G8
17	2	YWLO12010	WASHER LOCK, 3/8 G8
18	2	78652	BRACKET
19	6	YBHH16030	BOLT HEX, 1/2 X 1-1/2 G5
20	12	YWFL16005	WASHER FLAT, 1/2
21	6	YNNY16005	NUT HEX, 1/2 G2
22	6	YSMP64005	MACHINE PPHS, #10-32 X 1/2
23	2	78774	GASKET

FIGURE 23 **ENGINE & COMPONENTS**

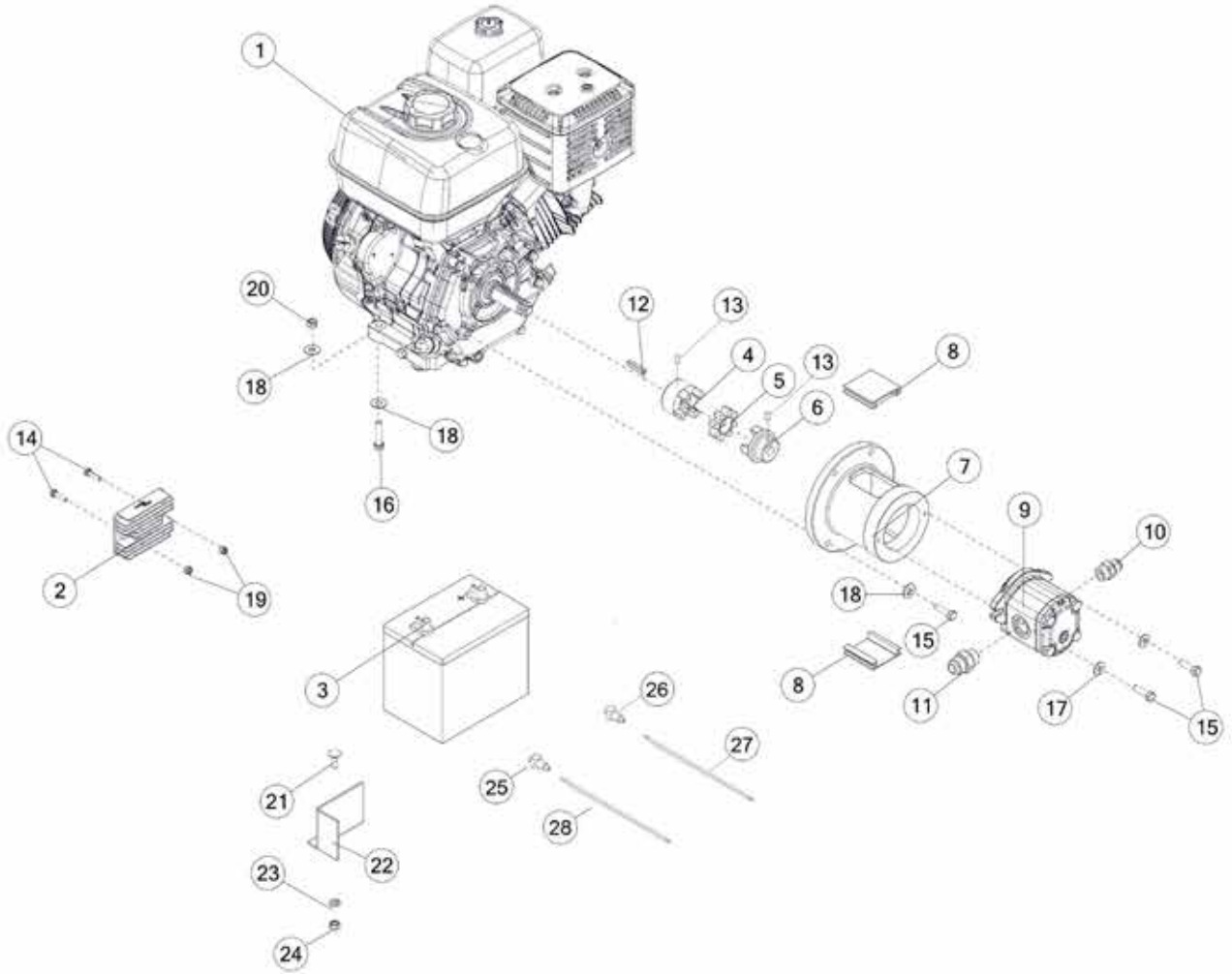


FIGURE 23

ENGINE & COMPONENTS

<u>ITEM</u>	<u>QTY</u>	<u>PART#</u>	<u>DESCRIPTION</u>
1	1	75398	ENGINE
2	1	78209	REGULATOR
3	1	LW166	BATTERY
4	1	LW301	COUPLING
5	1	LW287	SHORE SPIDER
6	1	LW286	COUPLING
7	1	LW300	PUMP HOUSING
8	2	59679	HOUSING COVER
9	1	75810	HYDRAULIC PUMP
10	1	GM57	FITTING, 10J IC X 10ORB
11	1	SD273	FITTING, 12JIC X 12ORB
12	1	PB218	KEY
13	2	YSSO64005	SET SCREW, SOCKET, #10-32 X 1/4
14	2	YBHH08010	BOLT HEX, 1/4 X 1 G5
15	6	YBHH12035	BOLT HEX 3/8 X 1-1/4 G5
16	4	YBHH12060	BOLT HEX, 3/8 X 1-3/4 G5
17	2	YWFL10005	WASHER FLAT, 5/16
18	8	YWFL12005	WASHER FLAT, 3/8
19	2	YNNY08005	NUT HEX, 1/4 G2
20	4	YNRL12005	NUT HEX, 3/8
21	2	YBCR12010	BOLT CARRIAGE, 3/8
22	1	LW40	BATTERY HOLDER
23	1	YWLO12005	WASHER LOCK, 3/8
24	2	YNXH12005	HEX NUT, 3/8
25	1	59850	BOOT, BLACK
26	1	77595	BOOT, RED
27	1	79446	BATTERY CABLE, RED
28	1	LW172	BATTERY CABLE, BLACK
*	1	72477	FUEL CAP
*	1	72441	DIP STICK
*	1	72442	OIL PLUG
*	1	78206	ELEMENT AIR CLEANER
*	1	78207	ELEMENT OUTER CLEANER
*	1	78208	SPARK PLUG

***MEANS NOT SHOWN**

FIGURE 24
HYDRAULICS & COMPONENTS

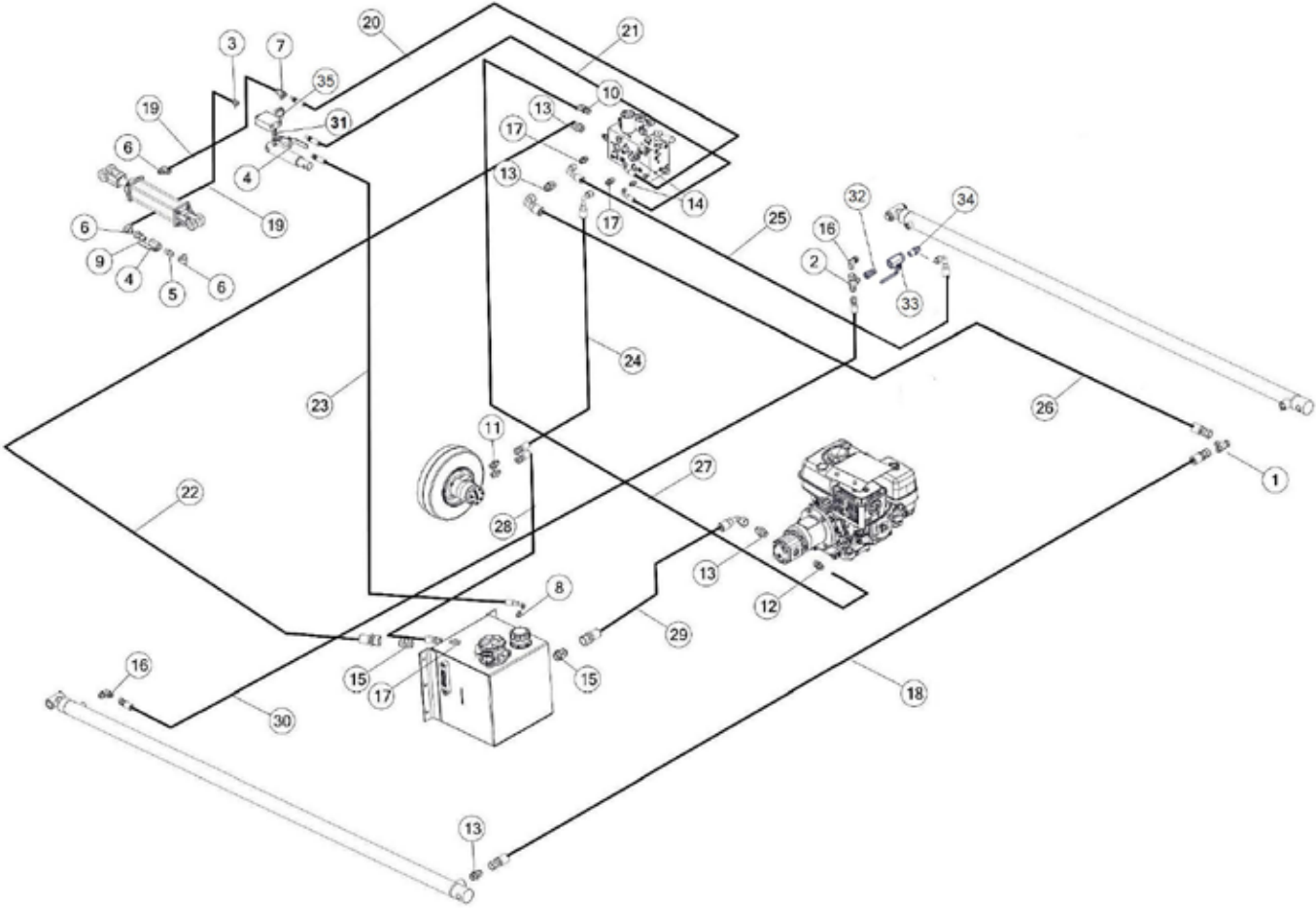


FIGURE 24

HYDRAULICS & COMPONENTS

<u>ITEM</u>	<u>QTY</u>	<u>PART#</u>	<u>DESCRIPTION</u>
1	1	79132	FITTING TEE, 3/4JIC, 3/4ORB, 3/4JIC
2	1	63336	SWIVEL RUN NUT TEE
3	2	1098	BUSHING, 3/8 TO 1/4
4	2	16SV338	VALVE BALL, 3/8
5	1	16SV351	FITTING STRAIGHT, 6NPT X 6NPT
6	3	23N234	FITTING, 90, 3/8 NPT, 3/8 NPT
7	1	53436	MALE BRANCH TEE
8	1	53449	FITTING STRAIGHT, 4JIC X 2NPT
9	1	58247	FITTING MALE ADAPTER, 3/8
10	1	CHM175	FITTING 45, 10 ORB
11	2	GM27	FITTING STRAIGHT, 8JIC X 10ORB
12	1	GM57	FITTING STRAIGHT, 10JIC X 10ORB
13	3	SD273	FITTING STRAIGHT, 12JIC X12ORB
14	2	SD279	FITTING STRAIGHT, 4JIC X 6ORB
15	1	TFM23	FITTING STRAIGHT, 16JIC X 16ORB
16	2	TS135	FITTING 90, 8JIC X 8ORB
17	3	TS137	FITTING STRAIGHT, 8JIC X 8ORB
18	1	79128	HYD HOSE, 12 X 98
19	2	LW80	HYD HOSE, 4 X 57
20	1	79124	HYD HOSE, 4 X 104
21	1	79123	HYD HOSE, 4 X 104
22	1	79119	HYD HOSE, 12 X 130
23	1	79127	HYD HOSE, 4 X 154
24	1	79122	HYD HOSE, 8 X 74
25	1	79121	HYD HOSE, 8 X 57
26	1	79120	HYD HOSE, 12 X 108
27	1	79118	HYD HOSE, 10 X 54
28	1	79126	HYD HOSE, 8 X 73
29	1	79125	HYD HOSE, 12 X 57
30	1	79129	HYD HOSE, 8 X 120
31	1	CHM202	FITTING, ST, 06JIC, 06NPT
32	1	58190	MALE CONNECTOR
33	1	85426	BALL VALVE
34	1	TFM90	FITTING, ST, 08JIC, 08NPT
35	1	53435	FITTING, 90, 3/8 NPT, 1/4 NPT

FIGURE 25
PUSHER SLIDE

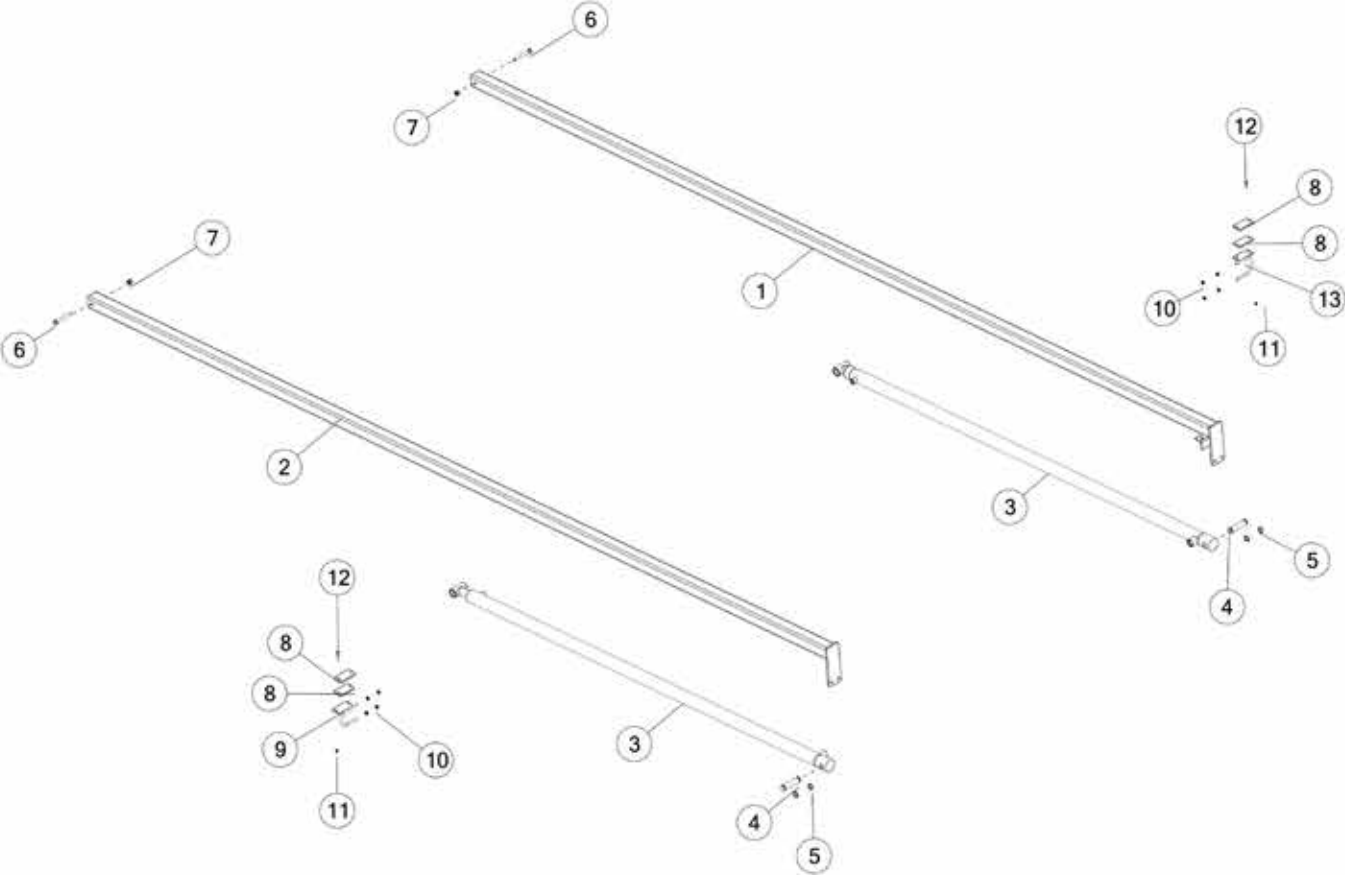


FIGURE 25 **PUSHER SLIDE**

<u>ITEM</u>	<u>QTY</u>	<u>PART#</u>	<u>DESCRIPTION</u>
1	1	LW6	PUSHER SLIDE LH
2	1	LW7	PUSHER SLIDE RH
3	2	78612	HYD CLINDER, 2 X 84
*	1	78293	SEAL KIT
4	2	LW58	PIN
5	4	3G21	SNAP RING
6	2	YBHH16125	BOLT HEX, 1/2 X 3-3/4 G5
7	2	YNNY16005	NUT HEX, 1/2 G2
8	4	LW228	POLY SKID PLATE
9	1	LW226	SKID PLATE RH
10	8	YNJM12005	NUT JAM, 3/8
11	2	YNRL08005	NUT HEX, 1/4
12	2	YBCR08035	BOLT CARRIAGE, 1/4 X 3/4 G2
13	1	LW227	SKID PLATE LH

***MEANS NOT SHOWN**

FIGURE 26
WORK LIGHT (OPTIONAL)

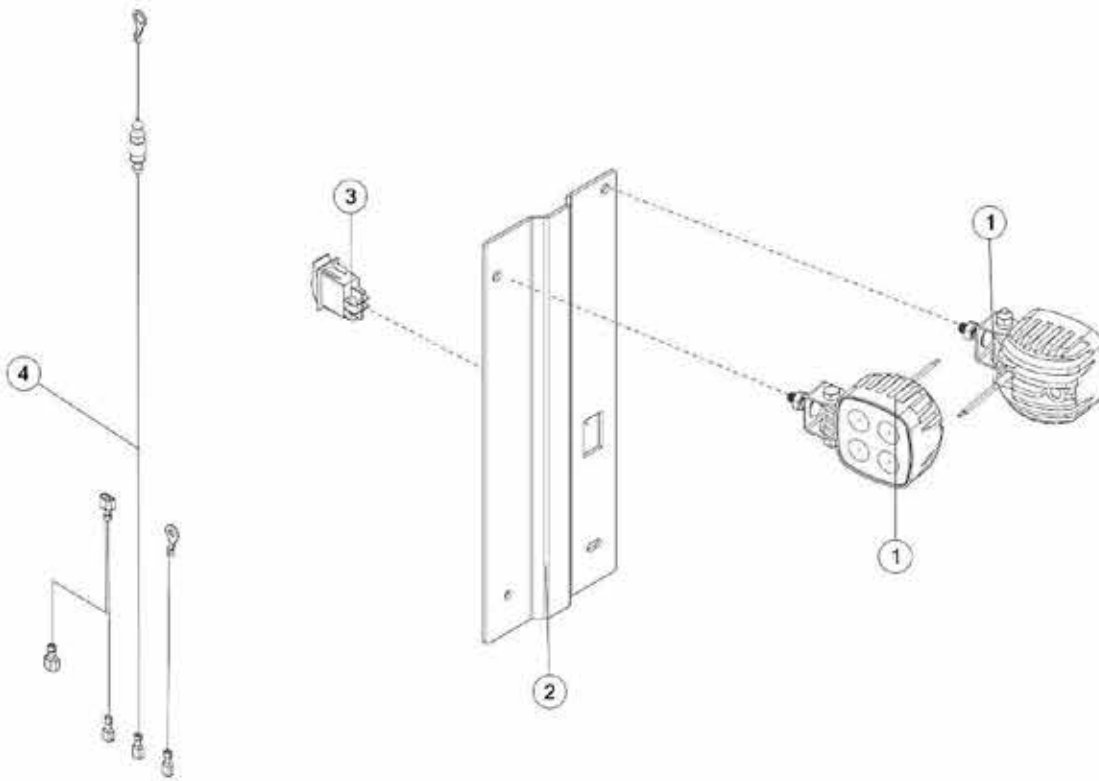


FIGURE 26
WORK LIGHT (OPTIONAL)

<u>ITEM</u>	<u>QTY</u>	<u>PART#</u>	<u>DESCRIPTION</u>
1	2	70620	WORK LIGHT
2	1	LW149	LIGHT BRACKET
3	1	LW151	LIGHT SWITCH
4	1	79484	LIGHT HARNESS

FIGURE 27
RISER SHELF (OPTIONAL)

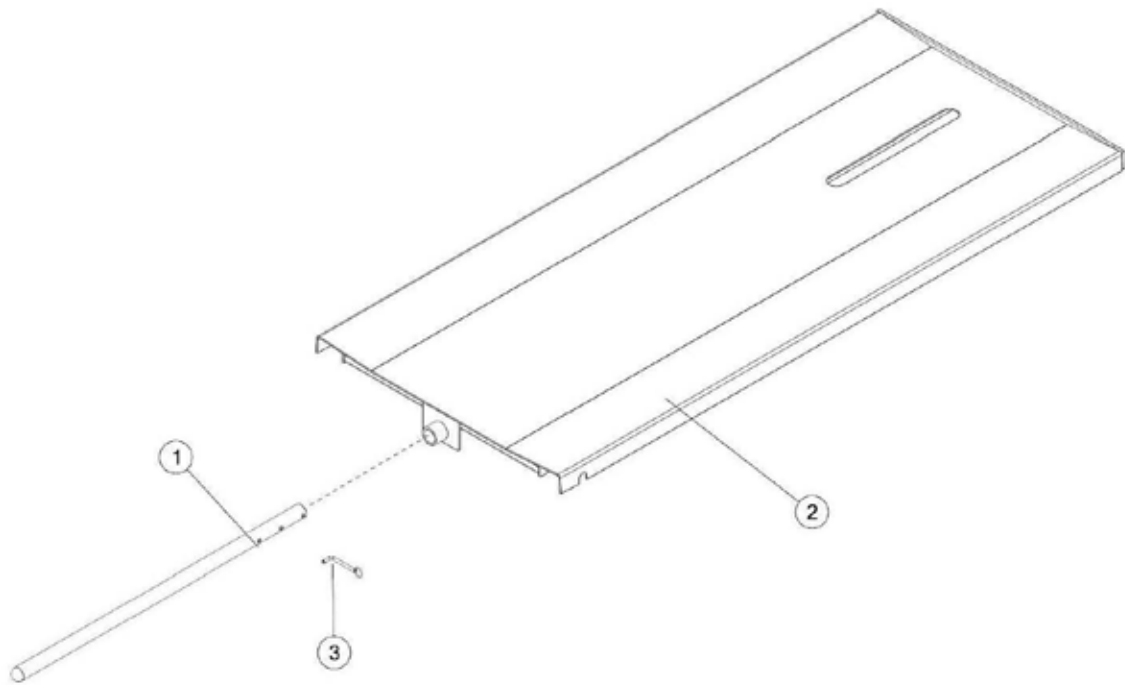


FIGURE 27
RISER SHELF (OPTIONAL)

<u>ITEM</u>	<u>QTY</u>	<u>PART#</u>	<u>DESCRIPTION</u>
1	1	LWSH23	FORK
2	1	LW198	RISER SHELF
3	1	LW169	FORK PIN

FIGURE 28 REMOTE

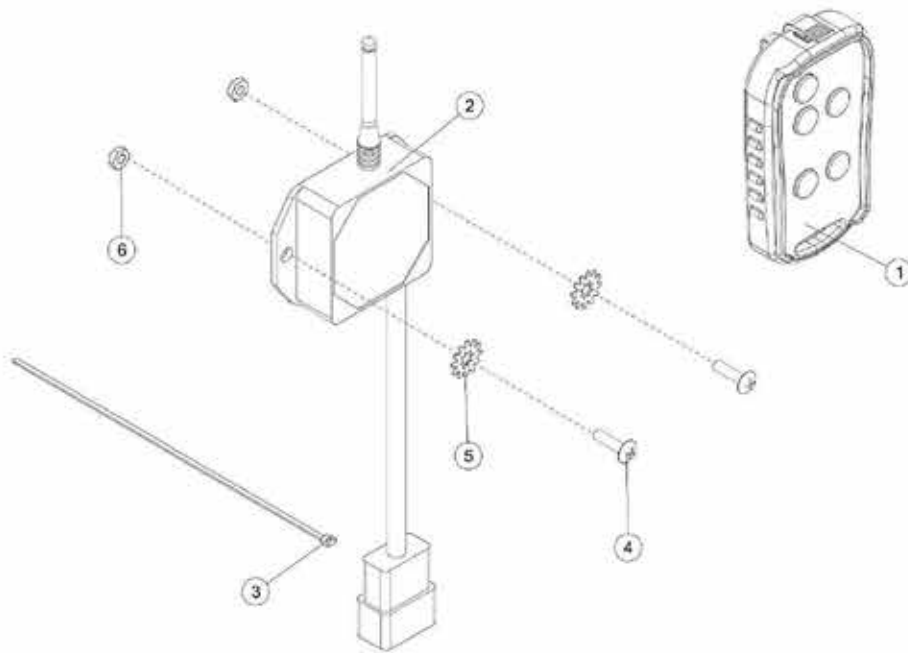


FIGURE 28 **REMOTE**

<u>ITEM</u>	<u>QTY</u>	<u>PART#</u>	<u>DESCRIPTION</u>
1	1	70752	TRANSMITTER W/CHARGER
2	1	LW282	MINI RECEIVER 8 OUTPUT
3	1	CIZT102	ZIP TIE
4	2	YSTP64010	TRUSS HEAD PHILLIPS SCREW, #10 X 3/4
5	2	YWSI64005	WASHER LOCK, STAR
6	2	YNNY64005	NUT HEX, #10, G2

FIGURE 29
REMOTE START & STEER KIT

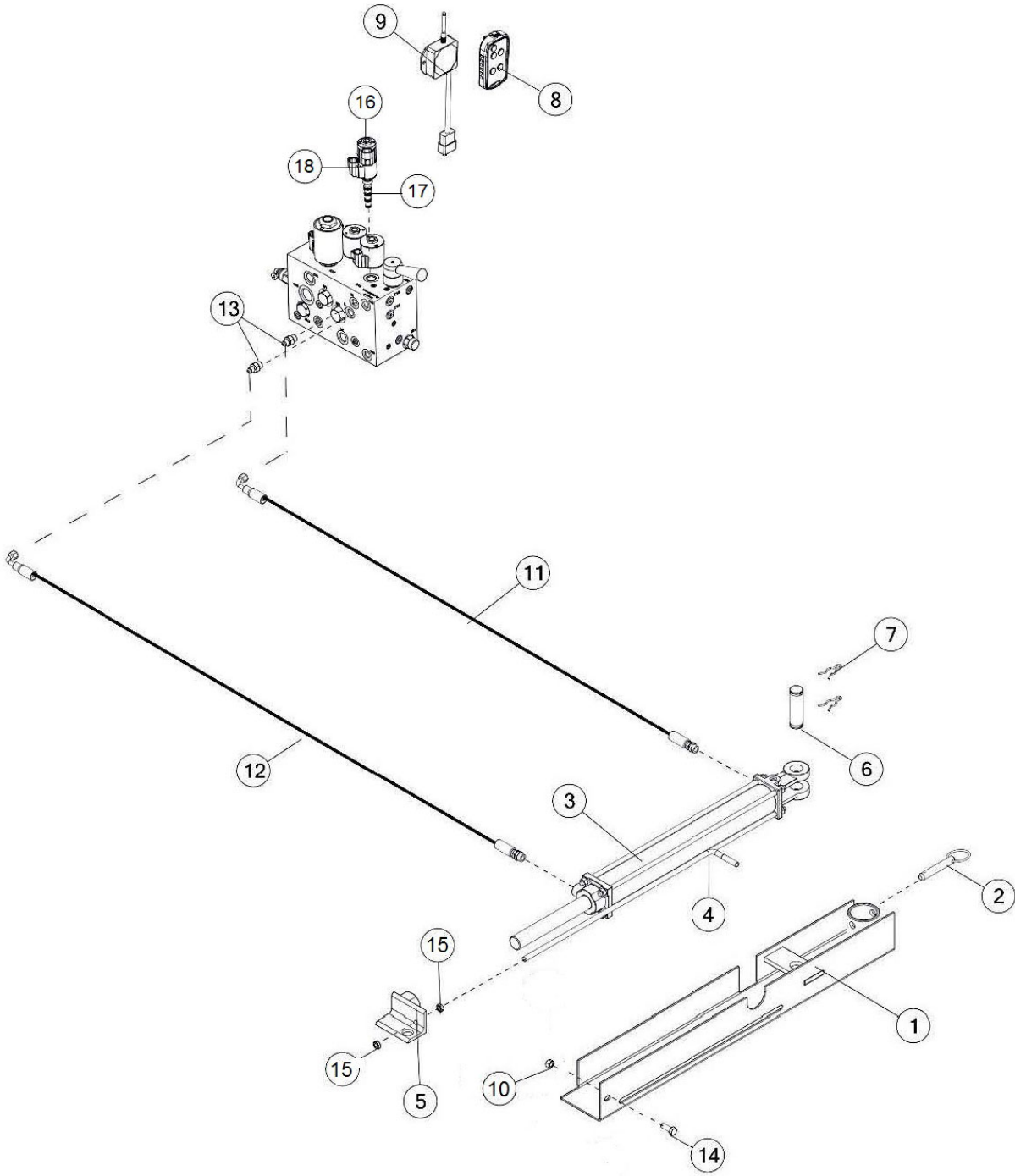


FIGURE 29

REMOTE START & STEER KIT

<u>ITEM</u>	<u>QTY</u>	<u>PART#</u>	<u>DESCRIPTION</u>
1	1	78771	STEERING CYLINDER TRAY
2	1	BFR4	PULL PIN
3	1	56315	HYD CYLINDER (2 X 16)
4	1	LW235	INDICATOR ROD
5	1	LW234	STEERING ANGLE
6	1	T143	PIN
7	1	YPHR02020	HAIR PIN
8	1	70752	TRANSMITTER W/CHARGER
9	1	LW282	MINI RECEIVER 8 OUTPUT
10	1	YNFG12006	NUT FLANGE, 3/8 GF
11	1	79131	HYD HOSE, 4 X 132
12	1	79130	HYD HOSE, 4 X 152
13	2	SD279	FITTING, 4JIC X 6ORB
14	1	YBFB12003	BOLT FLANGE, 3/8 X 1 G5 ZC
15	2	YNJM12005	NUT JAM, 3/8
16	1	74394	HYD VALVE, 5 WAY
17	1	74395	ELEC COIL, POPPET
18	1	77074	ELEC COIL, SPACER, 8

***MEANS NOT SHOWN**

FIGURE 30
TAIL LIGHT (OPTIONAL)

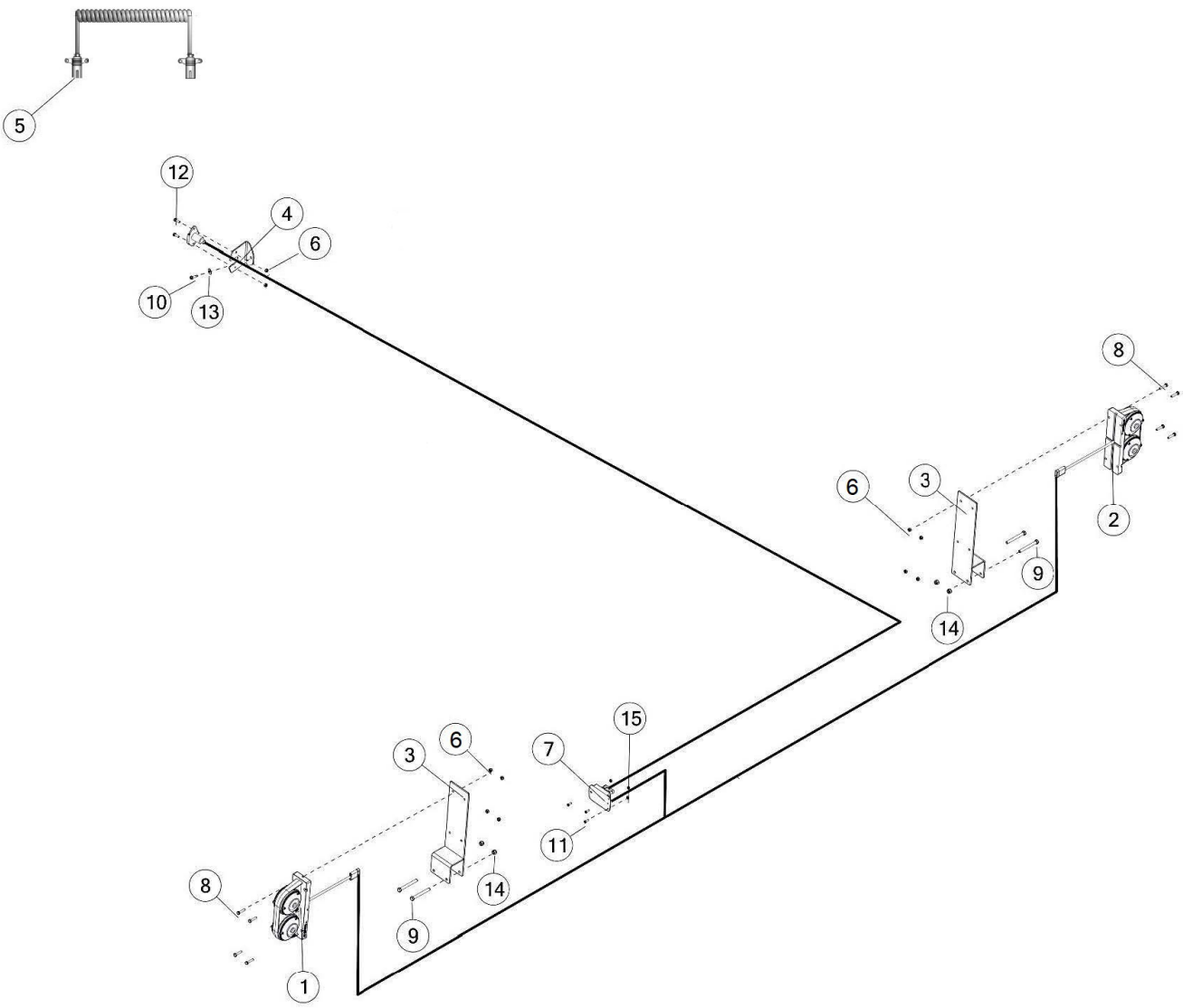


FIGURE 30
TAIL LIGHT (OPTIONAL)

<u>ITEM</u>	<u>QTY</u>	<u>PART#</u>	<u>DESCRIPTION</u>
1	1	77923	TAIL LIGHT LH
2	1	77924	TAIL LIGHT RH
3	2	78057	LIGHT BRACKET
4	1	BFR659	LIGHT BRACKET
5	1	TLPC	TRANSPORT LIGHT CORD
6	10	YNNY08005	NUT HEX, 1/4 G2
7	1	69908	MODULE CONTROL BLINKER
8	8	YBHH08030	BOLT HEX, 1/4 X 1-1/4 G2 BOLT
9	4	YBHH12145	HEX, 3/8 X 3-1/2 G5 SELF
10	1	YSDR08005	DRILLING SCREW, 1/4 X 1
11	3	YSPN64005	SCREW, PAN HEAD #10 X 5/8
12	2	YBHH08095	BOLT HEX, 1/4 X 3/4 G2
13	1	YWFL10005	WASHER FLAT, 5/16
14	4	YNNY12005	NUT HEX, 3/8, G2
15	3	YNNY64005	NUT HEX, #10 G2

FIGURE 31
ELECTRICAL

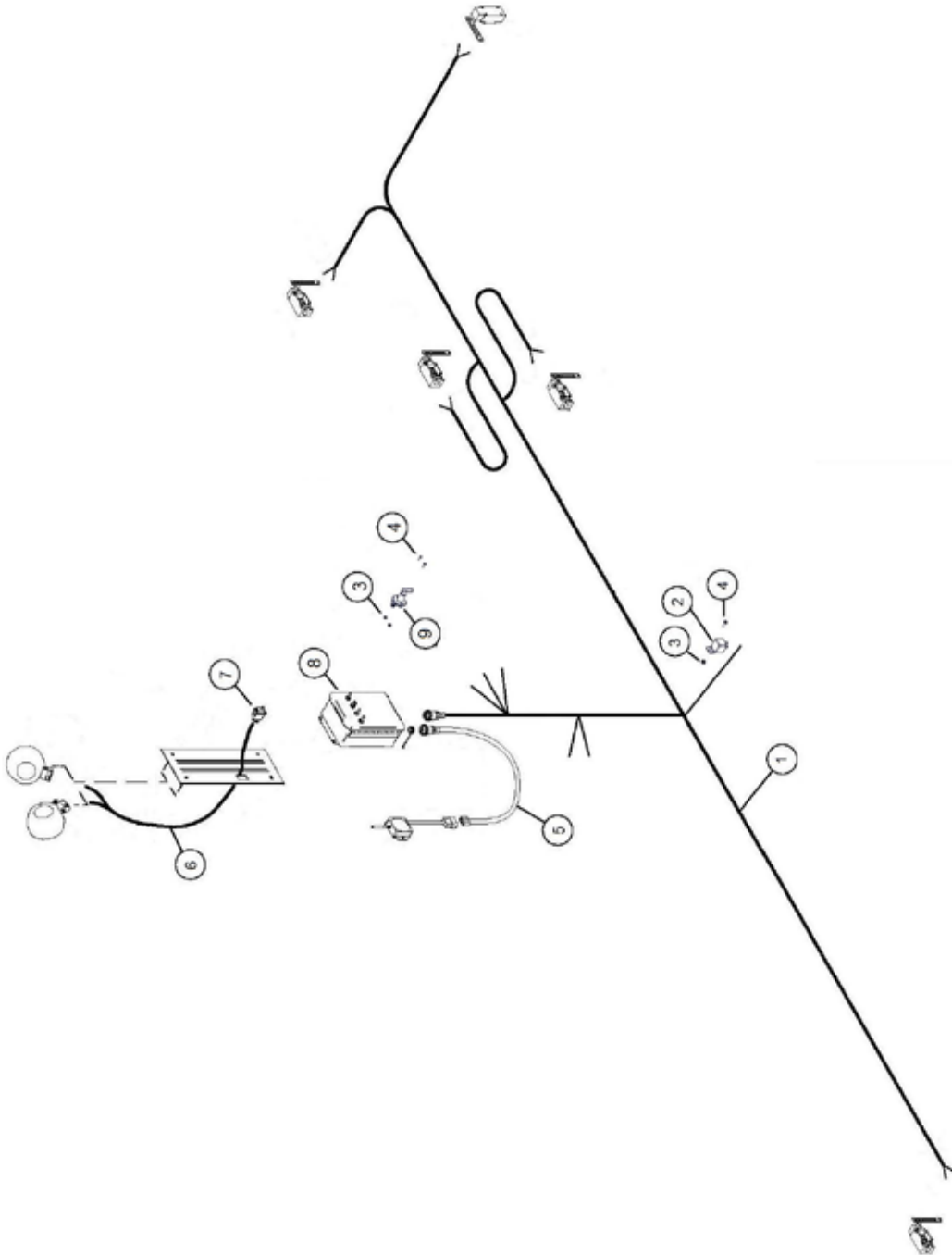


FIGURE 31 **ELECTRICAL**

<u>ITEM</u>	<u>QTY</u>	<u>PART#</u>	<u>DESCRIPTION</u>
1	1	79454	MAIN HARNESS
*	1	79479	THROTTLE WIRE, MALE
*	1	79480	THROTTLE WIRE, FEMALE
2	1	77591	RELAY
3	3	YNNY64005	NUT HEX, 10-24 G2
4	4	YSPN64005	SCREW PAN HEAD, #10-24 X 5/8
5	1	79473	REMOTE STEERING HARNESS
6	1	79484	LIGHT HARNESS
7	1	LW151	LIGHT SWITCH
8	1	78617	CONTROL MODULE
9	1	77587	ELEC, BATT SWITCH, 100A
*	1	77589	SPARE KEY

***MEANS NOT SHOWN**

PARTS BOOK UPDATES

1. Replace 77136 with 77135 seal kit Figure 12
2. Added TLPC to Figure 31
3. Hardware Change to Figure 19
4. Remot Start & Steer Kit is not standard 10/9/20

H&S MFG. CO.

products approved

for the

FEMA

SEAL OF QUALITY

