



LW1100

LINEWRAP

PARTS BOOK

Part #78783 HSMFG101122 Rev. #07 Starting Ser. #321LW11009

STRONG HERITAGE - STRONG PEOPLE - STRONGER FUTURE



TABLE OF CONTENTS

FIGURE #	CONTENTS	PAGE #
*	INSTRUCTIONS FOR ORDERING PARTS	1
1	TAIL ROLLER & COMPONENTS	2-3
2	MID ROLLER & COMPONENTS	4-5
3	HOOP & COMPONENTS	6-7
4	TENSION HEAD & COMPONENTS	8-9
5	SHIELD & COMPONENTS	10-11
6	HOOP ROLLER & COMPONENTS RH	12-13
7	HOOP ROLLER & COMPONENTS LH	14-15
8	FORKS & COMPONENTS	16-17
9	REAR AXLE BEAM & COMPONENTS	18-19
10	REAR HUB & COMPONENTS	20-21
11	DRIVE MOTOR & COMPONENTS	22-23
12	MANIFOLD ASSEMBLY	24-25
13	MANIFOLD & MANUAL HOLDER	26-27
14	RISER COMPONENTS	28-29
15	BALE GUIDE COMPONENTS	30-31
16	FRONT HUB & COMPONENTS	32-33
17	STEERING COMPONENTS	34-35
18	PUSH-OFF COMPONENTS	36-37
19	SAFETY CABLE & COMPONENTS	38-39
20	ENGINE GUARD PANELS	40-41
21	TAIL CYLINDER	42-43
22	HYDRAULIC TANK & COMPONENTS	44-45
23	ENGINE & COMPONENTS	46-47
24	HYDRAULICS & COMPONENTS	48-49
25	PUSHER SLIDE	50-51
26	OPTIONAL WORK LIGHT	52-53
27	OPTIONAL RISER SHELF - BWO3	54-55
28	REMOTE	56-57
29	REMOTE START & STEER KIT	58-59
30	OPTIONAL TAIL LIGHTS	60-61
31	ELECTRICAL	62-63
*	PARTS NOTES	64



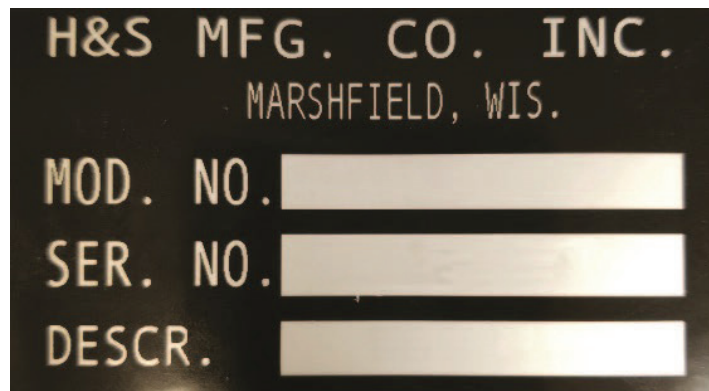
INSTRUCTIONS FOR ORDERING PARTS

All service parts should be ordered through your authorized H&S dealer. Your Dealership will be able to give you faster service if you will provide them with the following:

1. All references to left or right apply to the machine as viewed from the rear.
2. Parts should not be ordered from illustration only. Please order complete part number.
3. If your dealer has to order parts - give shipping instructions:

VIA truck - large pieces (please specify local truck lines)

VIA United Parcel Service (include full address)



PLEASE RECORD NUMBERS FOR YOUR UNIT FOR QUICK REFERENCE

H&S IS CONTINUALLY STRIVING TO IMPROVE ITS PRODUCTS

We must, therefore, reserve the right to make improvements or changes whenever it becomes practical to do so, without incurring any obligation to make changes or additions to the equipment previously sold.



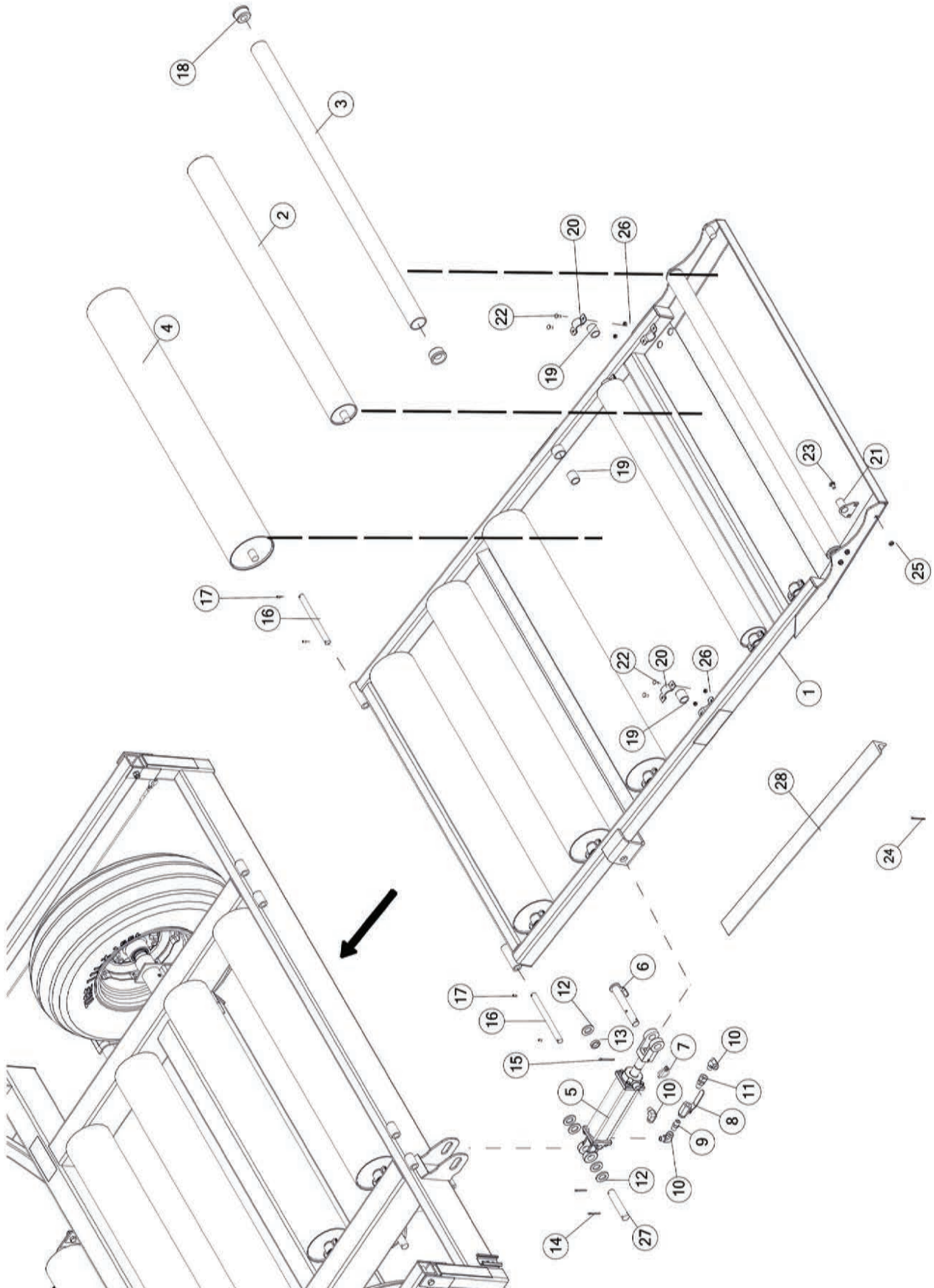




FIGURE 1 TAIL ROLLER & COMPONENTS

REF #	PART #	DESCRIPTION	QTY
1	LW246	TAIL	1
2	LW157	SMALL ROLLER	2
3	LW230	END ROLLER	2
4	LW158	LARGE ROLLER	4
5	56006	COMPLETE CYLINDER	1
6	57148	TAIL PIN	1
7	YPLY08011	LYNCH PIN, 1/4 X 1-9/16	1
8	16SV338	BALL VALVE, 3/8	1
9	16SV351	NIPPLE, 3/8	1
10	23N234	FITTING, 90, 3/8 NPT, 3/8 NPT	2
11	58721	MALE ADAPTER UNION 3/8	1
12	BFR33	WASHER	5
13	X94	1ST BEATER SPACER	1
14	YPCT05010	COTTER PIN, 5/32 X 1-1/2	2
15	YPCT06020	COTTER PIN, 3/16 X 2	1
16	LW54	TAIL HINGE PIN	2
17	YSKP08010	SET SCREW SOCKET, 1/4-20 X 1/2	4
18	LW229	POLY ROLLER INSERT	4
19	LW63	PVC BEARING	12
20	LW340	ROLLER HOLDER	12
21	LW231	BEARING BRACKET	2
22	YBCR08040	BOLT CARRIAGE, 1/4 X 3/4 G5	8
23	YBCR12065	BOLT CARRIAGE, 3/8 X 3/4 G5	3
24	YPCT05025	COTTER PIN, 5/32 X 2	1
25	YNFG12006	NUT FLANGE, 3/8 GF	3
26	YNFG08010	NUT FLANGE, 1/4 GF	10
27	LW237	CYLINDER PIN	1
28	LW372	TAIL LOCKBAR ANGLE	1





FIGURE 2
MID ROLLER & COMPONENTS

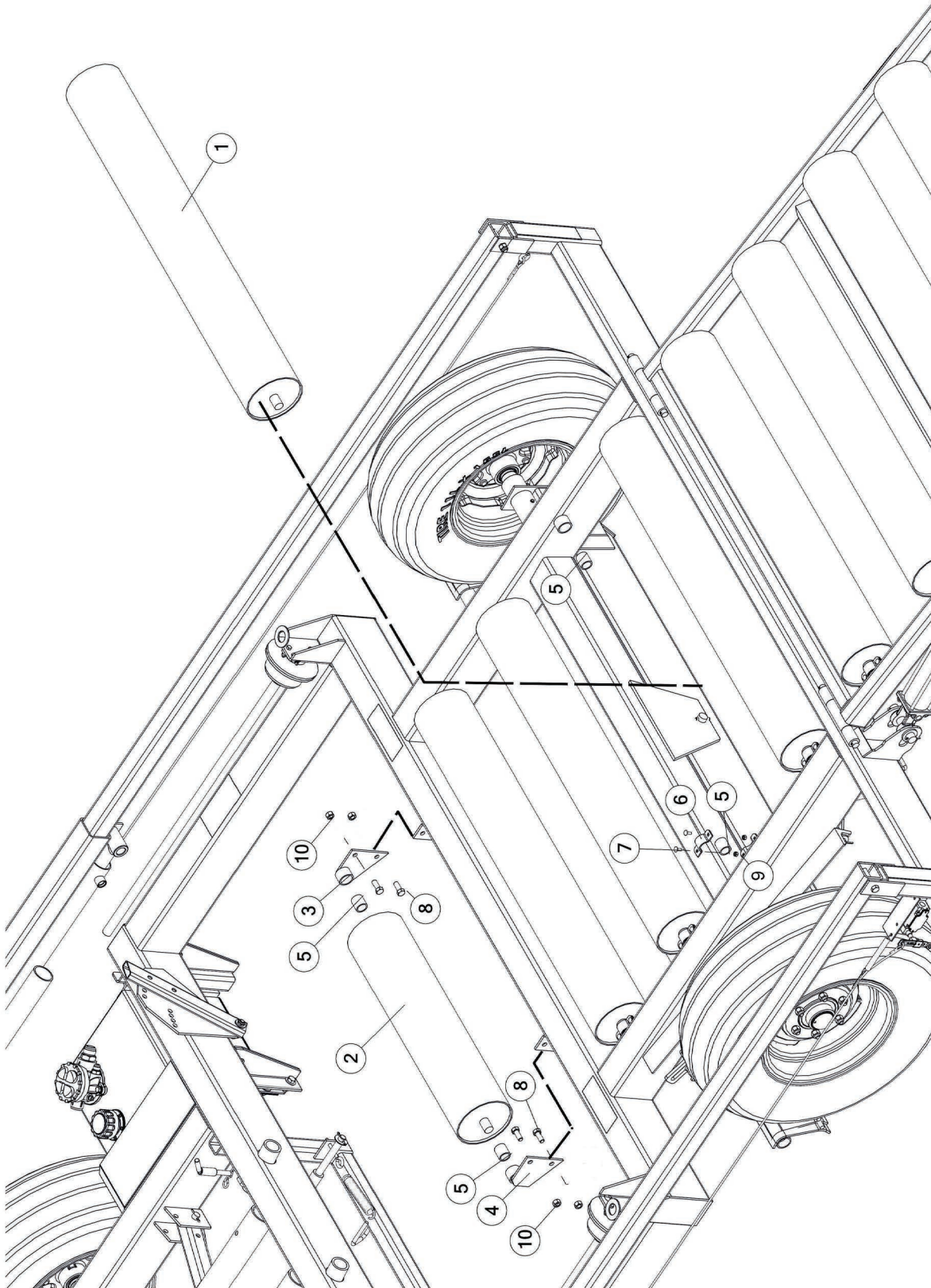
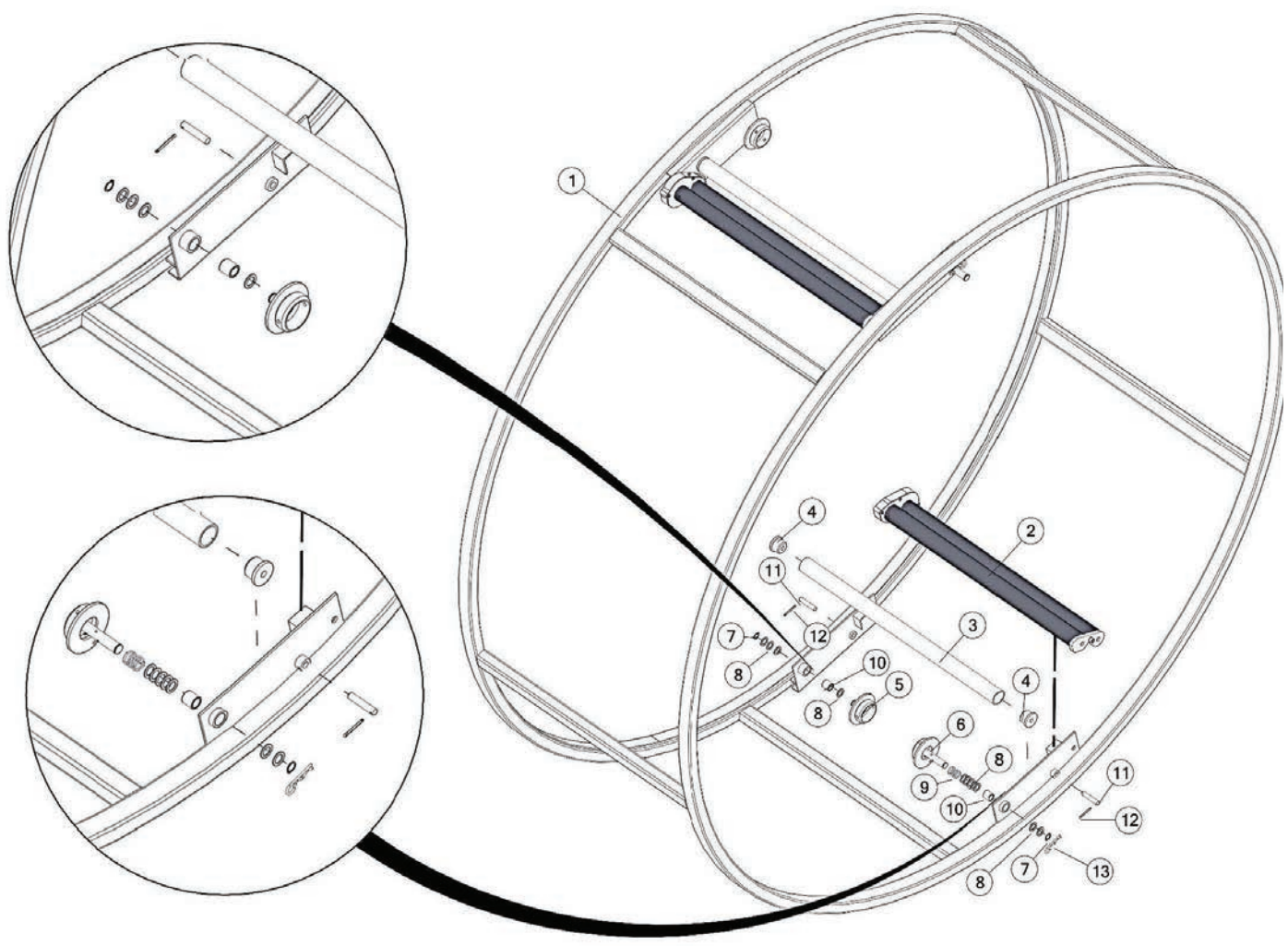




FIGURE 2
MID ROLLER & COMPONENTS

REF #	PART #	DESCRIPTION	QTY
1	LW158	LARGE ROLLER	7
2	LW163	SHORT ROLLER	1
3	LW155	ROLLER BRACKET MOUNT RH	1
4	LW154	ROLLER BRACKET MOUNT LH	1
5	LW63	PVC BEARING	10
6	LW340	ROLLER HOLDER	4
7	YBCR08040	BOLT CARRIAGE, 1/4 X 3/4 G5	8
8	YBFB16125	BOLT FLANGE, 1/2 X 1-1/4 G5	4
9	YNFG08010	NUT FLANGE, 1/4 GF	8
10	YNFG16003	NUT FLANGE, 1/2 GF	4





REF #	PART #	DESCRIPTION	QTY
1	LW2	HOOP	1
2	LW280	COMPLETE TENSIONER	2
3	LW348	PVC ROLLER	2
4	LW349	PVC ROLLER END SMALL	4
5	LW29	FRONT WRAP HOLDER	2
6	LW164	REAR WRAP HOLDER	2
7	10R32	SNAP RING	4
8	LW42	WASHER/SPACER	20
9	BFR240	SPRING	2
10	LW121	BRONZE BUSHING	10
11	LW50	WRAP PVC ROLLER SHAFT	4
12	YPCT05010	COTTER PIN, 5/32 X 1-1/2	4
13	YPHR02010	HAIR PIN	2



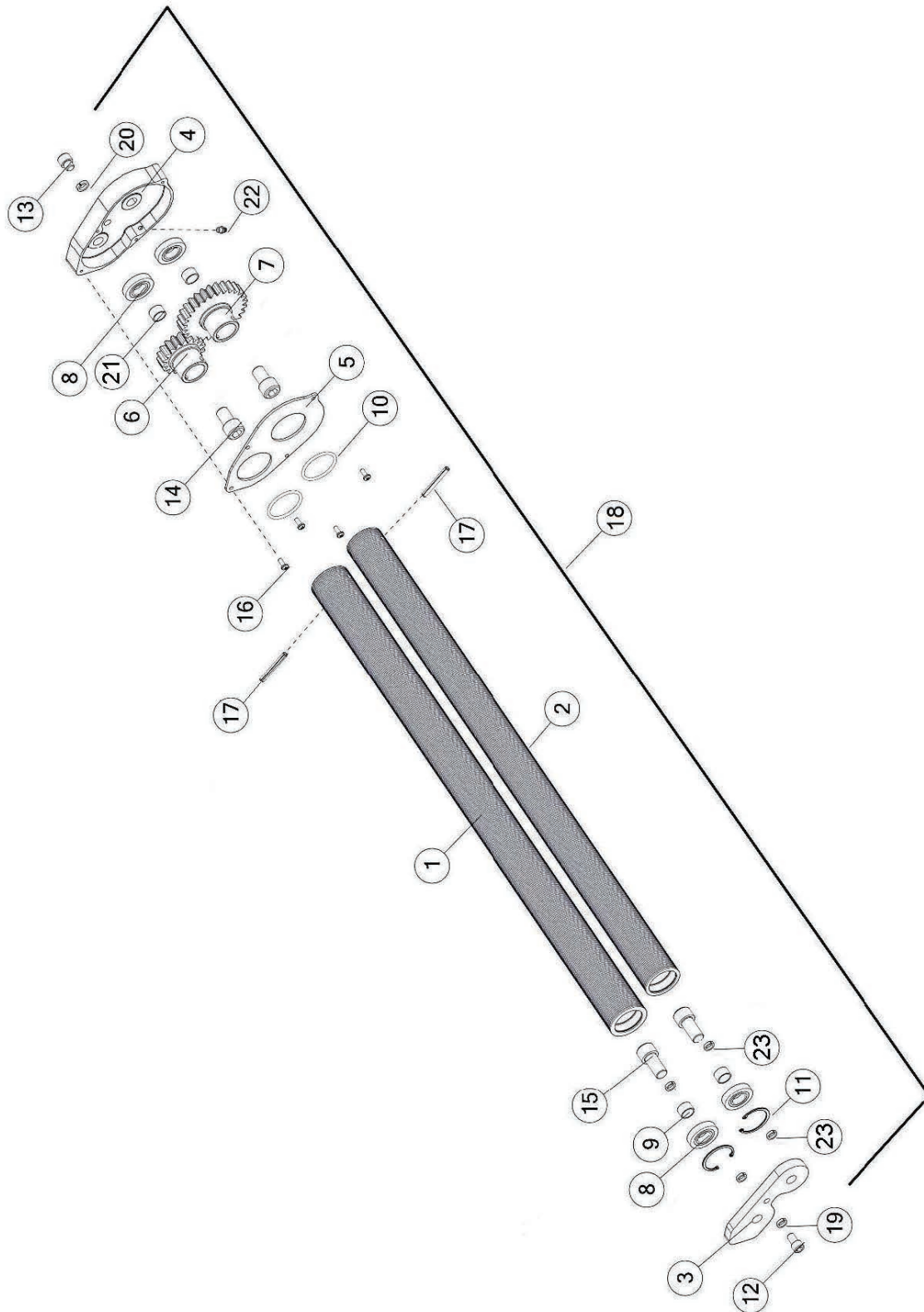




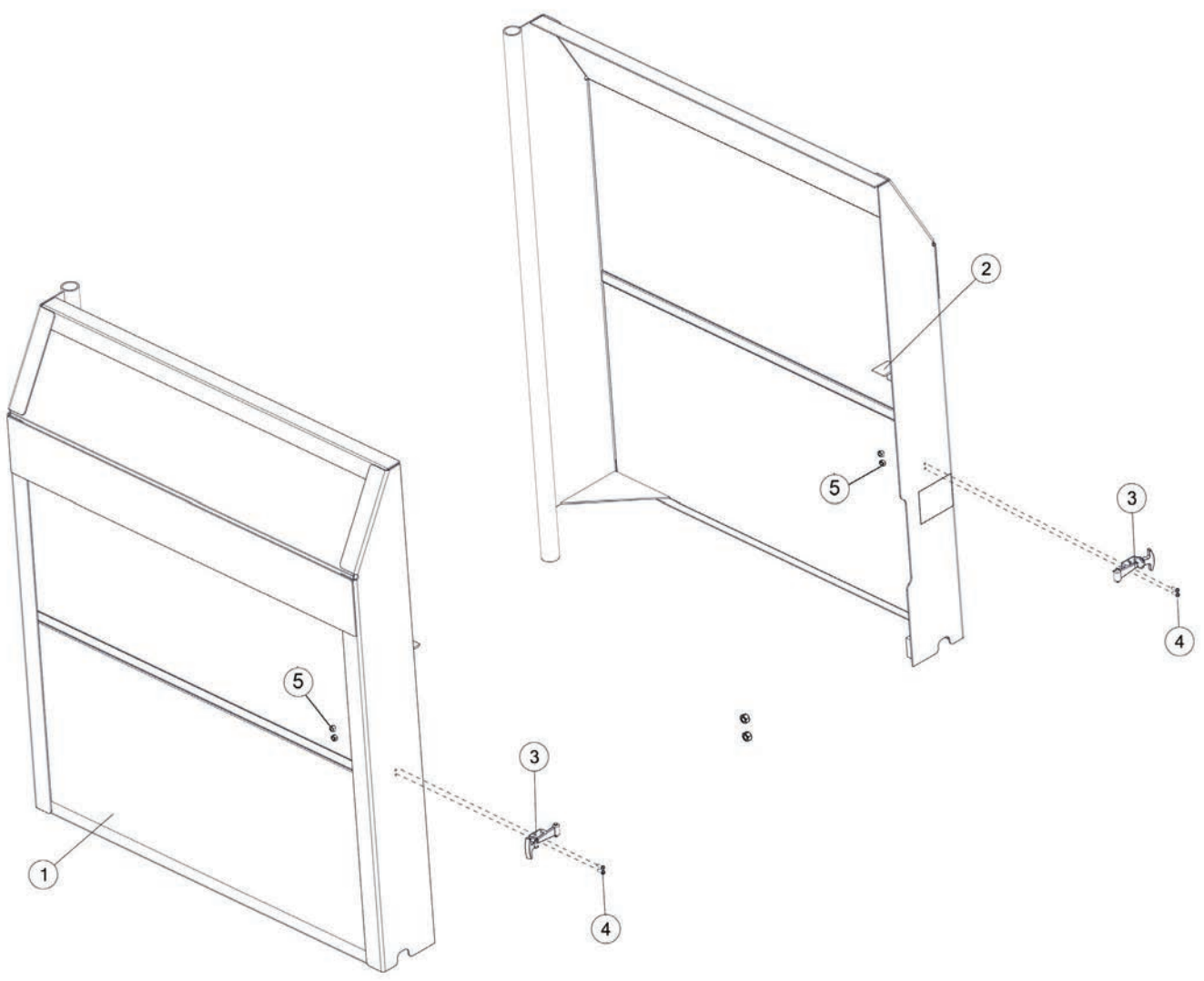
FIGURE 4 TENSION HEAD & COMPONENTS

REF #	PART #	DESCRIPTION	QTY
1	LW279	ROLLER, LARGE	1
2	LW278	ROLLER, SMALL	1
3	LW271	IDLER END PLATE	1
4	89701	GEAR CASE	1
5	LW264	GEAR CASE COVER	1
6	89511	SPUR GEAR (18T)	1
7	89510	SPUR GEAR (28T)	1
8	LW258	BEARING	4
9	LW259	BEARING BUSHING	2
10	LW266	SEAL, O-RING 1/8 X 1-3/4	2
11	LW269	RETAINER RING	2
12	YSHS12030	BOLT SOCKET, 3/8 X 5/8 G8	1
13	YSHS14005	BOLT SOCKET, 7/16 X 3/8 G8	1
14	YSHS20007	BOLT SOCKET, 5/8 X 1 G8	2
15	YSHS20011	BOLT SOCKET, 5/8 X1-1/4 G8	2
16	YSMP64005	MACHINE PPHS, #10-32 X 1/2	2
17	YPEX08020	EXPANSION PIN, 1/4 X 2	2
18	90220	TENSION HEAD	1
19	YWHC12005	WASHER, LOCK, HI COLLAR, 3/8	1
20	86729	SPACER	1
21	89509	BEARING BUSHING	2
22	G89	STRAIGHT ZERK, 1/4	1
23	YWHC20005	WASHER, LOCK HI COLLAR, 5/8	4





FIGURE 5 SHIELD & COMPONENTS



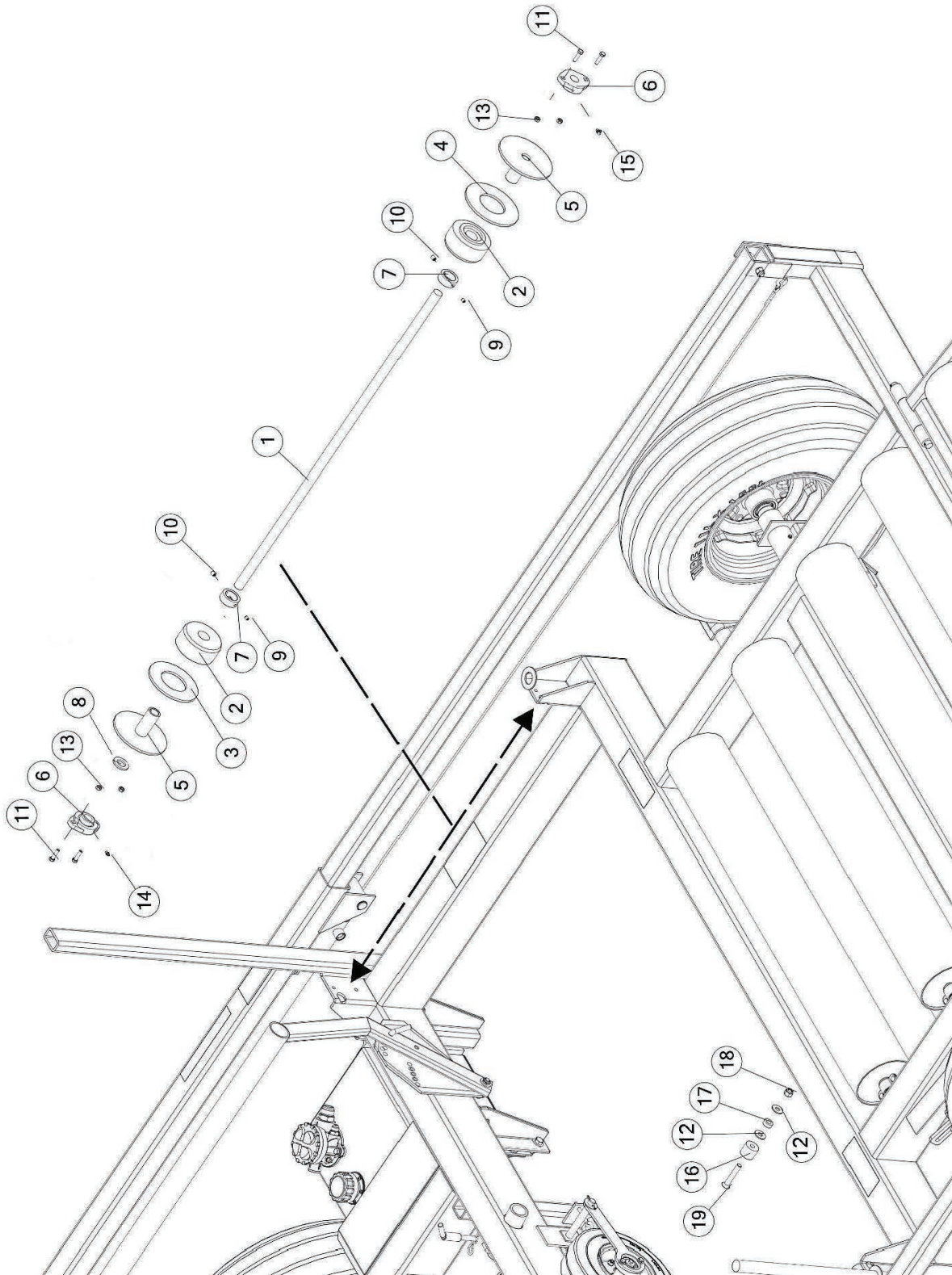




FIGURE 6

HOOP ROLLER & COMPONENTS RH

REF #	PART #	DESCRIPTION	QTY
1	LW53	HOOP ROLLER SHAFT	1
2	LW22	HOOP ROLLER	2
3	LW341	HOOP ROLLER SIDE WASHER A	1
4	LW64	HOOP ROLLER SIDE WASHER	1
5	LW61	HOOP ROLLER HUB	2
6	T40	BEARING	2
7	LW60	HOOP ROLLER COLLAR	2
8	BFR33	WASHER	1
9	YSKP10010	SCREW SOCKET HEAD, 5/16 X 3/8	2
10	YSKP12010	SCREW SOCKET, 3/8 X 1/2	2
11	YBFB10125	BOLT FLANGE, 5/16 X 1-1/4 G5	4
12	YWFL16005	WASHER FLAT, 1/2	2
13	YNFG10005	NUT FLANGE, 5/16 GF	4
14	G89	STRAIGHT ZERK, 1/4 X 90	1
15	RG51	GREASE ZERK, 1/4, 90 DEGREE	1
16	LW67	REAR HOOP GUIDE	1
17	R65	SHIELD SPACER	1
18	YNFG16003	NUT FLANGE, 1/2 GF	1
19	YSFS16045	BOLT FLAT, SOK 1/2 X 3	1





FIGURE 7
HOOP ROLLER & COMPONENTS LH

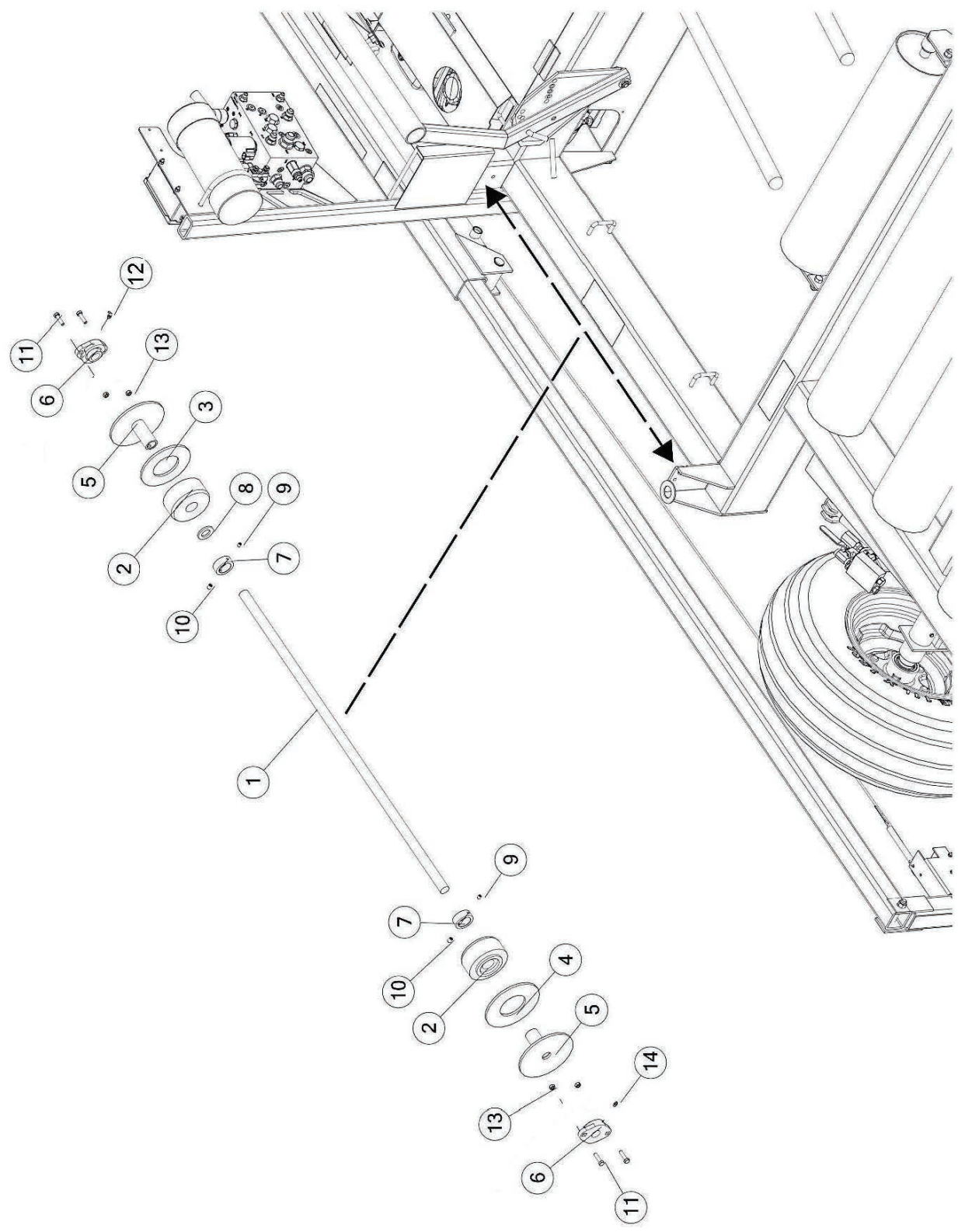




FIGURE 7

HOOP ROLLER & COMPONENTS LH

REF #	PART #	DESCRIPTION	QTY
1	LW53	HOOP ROLLER SHAFT	1
2	LW22	HOOP ROLLER	2
3	LW341	HOOP ROLLER SIDE WASHER A	1
4	LW64	HOOP ROLLER SIDE WASHER	1
5	LW61	HOOP ROLLER HUB	2
6	T40	BEARING	2
7	LW60	HOOP ROLLER COLLAR	2
8	BFR33	WASHER	1
9	YSKP10010	SCREW SOCKET HEAD, 5/16 X 3/8	2
10	YSKP12010	SCREW SOCKET, 3/8 X 1/2	2
11	YBFB10125	BOLT FLANGE, 5/16 X 1-1/4 G5	4
12	RG51	GREASE ZERK, 1/4, 90 DEGREE	1
13	YNFG10005	NUT FLANGE, 5/16 GF	4
14	G89	STRAIGHT ZERK, 1/4 X 90	1



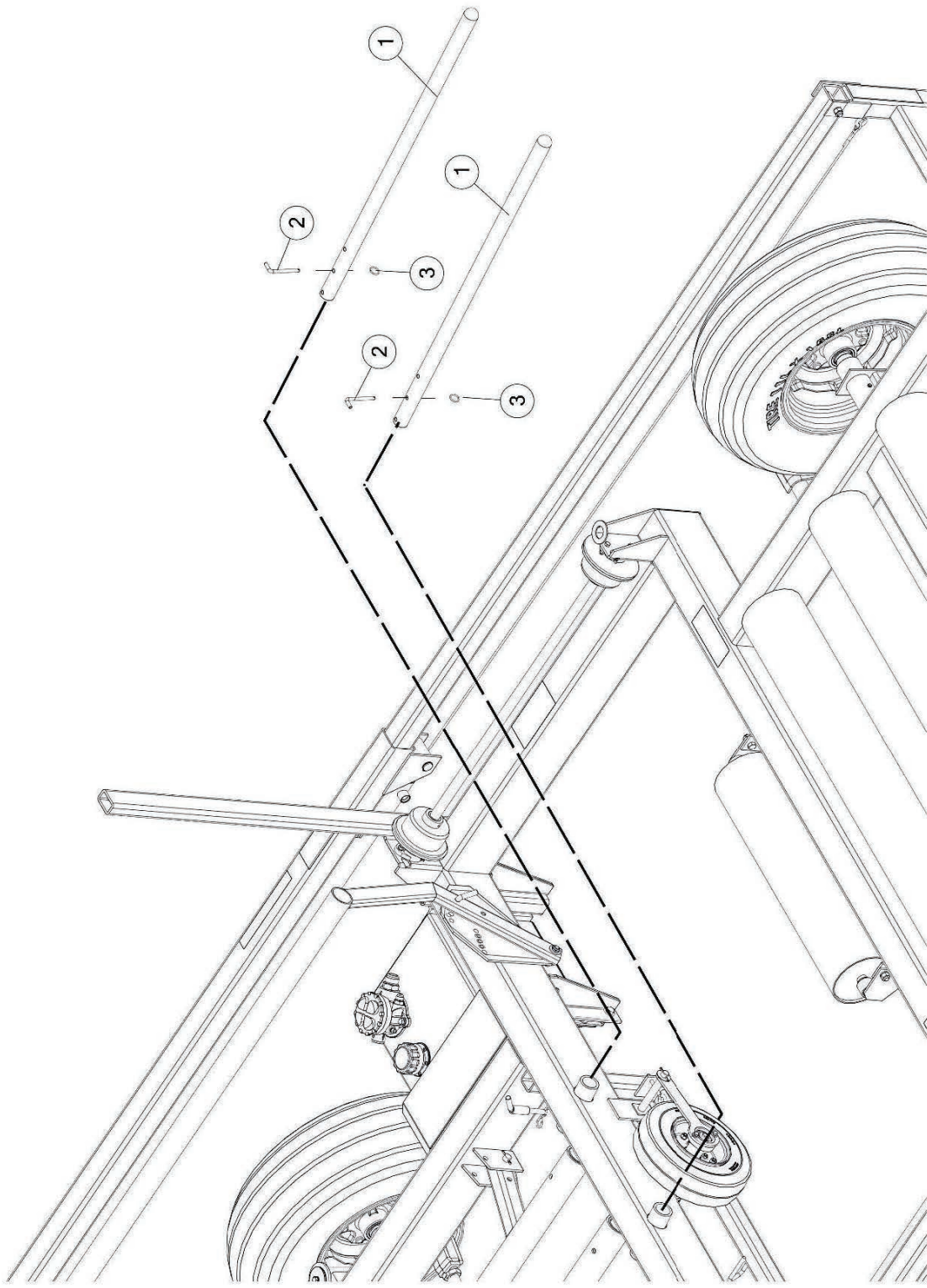




FIGURE 8

FORKS & COMPONENTS

REF #	PART #	DESCRIPTION	QTY
1	LWSH23	FORK	2
2	LW169	CLEVIS PIN	2
3	LW170	CIRCLE COTTER PIN	2





FIGURE 9

REAR AXLE BEAM & COMPONENTS

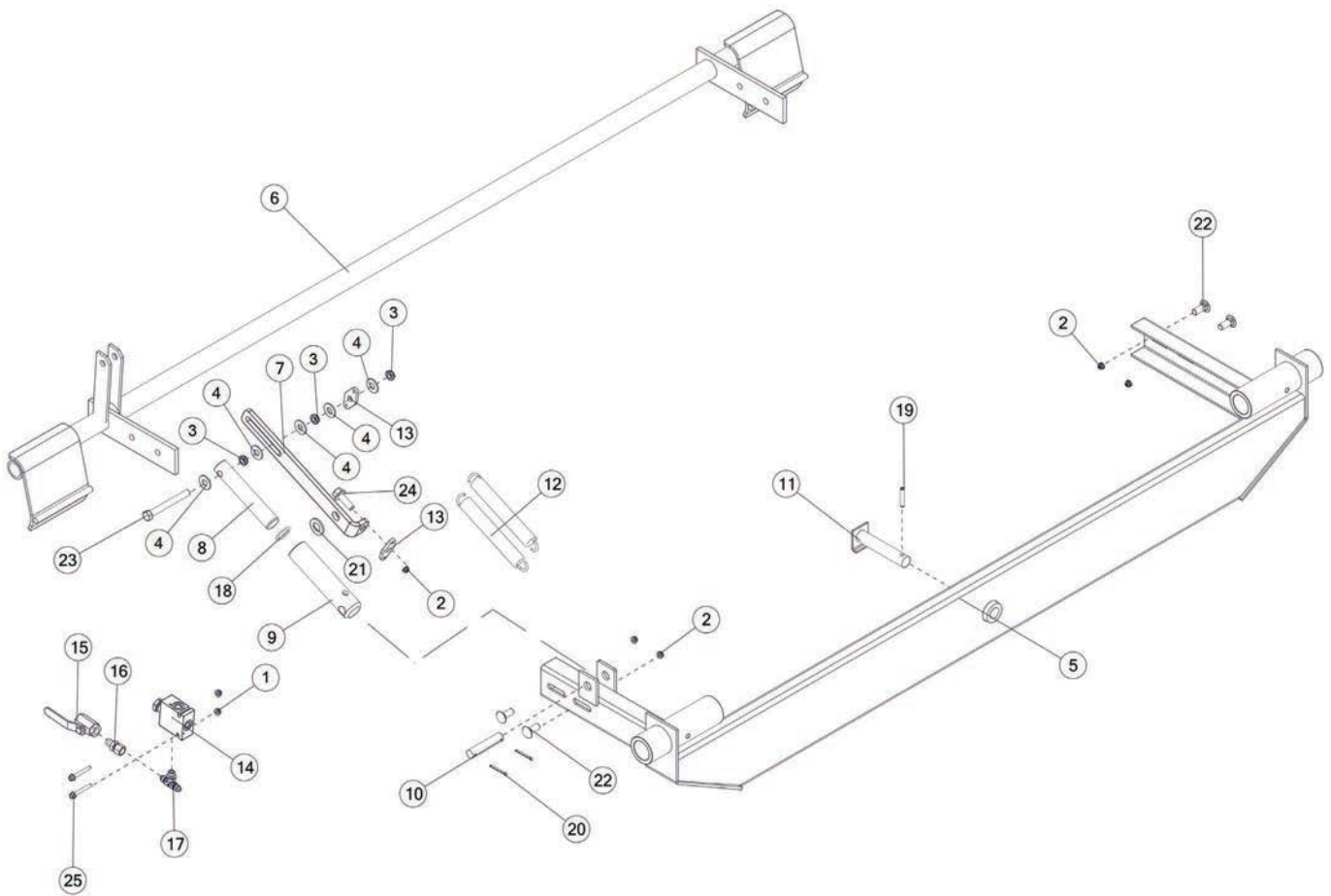




FIGURE 9

REAR AXLE BEAM & COMPONENTS

REF #	PART #	DESCRIPTION	QTY
1	YNFG08010	NUT FLG, 1/4 GF	2
2	YNFG16003	NUT FLANGE, 1/2 GF	5
3	YNNJ16005	NUT, JAM, 1/2-13, LKNY, G2, ZC	3
4	YWFL16005	WASHER, FLAT, 1/2 USS	5
5	LW20	REAR AXLE WELD-UP	1
6	LW12	BRAKE ASSEMBLY	1
7	LW45	BRAKE CYLINDER STOP	1
8	LWSH26	PISTON 1.25 DIA.	1
9	LWSH27	HYDRAULIC CYLINDER 1.25 DIA.	1
10	LW57	BRAKE CYLINDER PIN	1
11	LW43	REAR AXLE PIN	1
12	10R14	SPRG, COIL, 8.5, 25, TENS	2
13	54046	LW DUAL SPRING BRACKET	2
14	89997	HYDRAULIC MANIFOLD	1
15	16SV338	BALL VALVE, 3/8	1
16	CHM266	MALE CONNECTOR 37 DEG SWIVEL	1
17	89939	FITTING T, 6 JIC, 6 JIC, 6 ORB	1
18	S99	O-RING	1
19	YPEX10015	EXPANSION PIN, 5/16 X 1-3/4	1
20	YPCT05010	COTTER PIN 5/32" X 1-1/2"	2
21	YWFL24020	WASHER,FLAT, SAE 3/4, ZINC	1
22	YBCR16015	BOLT CARRIAGE, 1/2-13 X 1-1/4, GR5, ZC	4
23	YBHH16145	BOLT, 1/2 X 4-1/2 GR 5 FULL THREAD	1
24	YBFB16150	BOLT FLANGE, 1/2 X 1-1/2 G5	1
25	YBFB08200	BOLT FLANGE, 1/4 X 2 G5	1



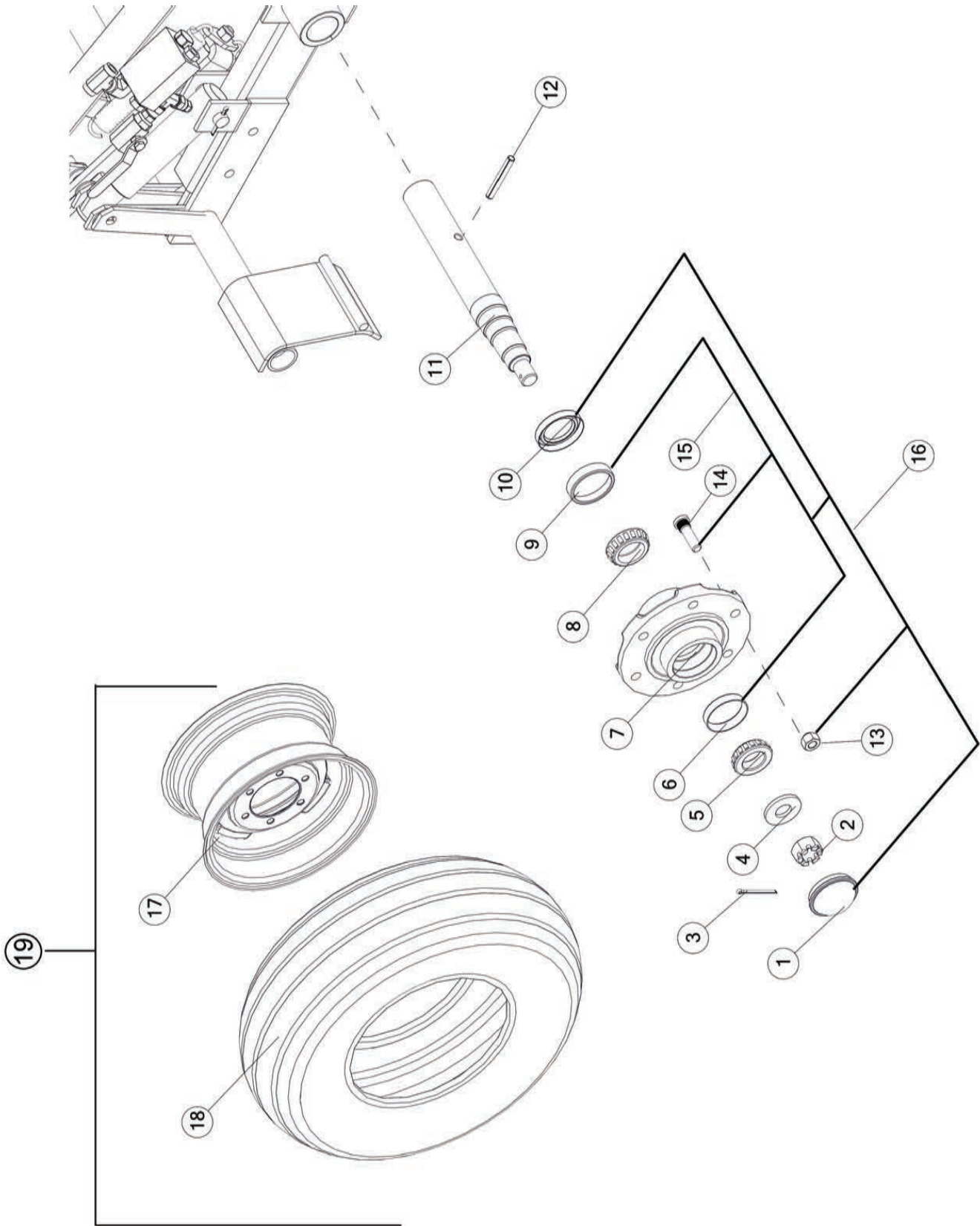




FIGURE 10
REAR HUB & COMPONENTS

REF #	PART #	DESCRIPTION	QTY
1	17G144	HUB CAP	2
2	YNSL28005	NUT SLOT, 7/8 G2	2
3	YPCT05025	COTTER PIN, 5/31 X 2	2
4	HD200	WASHER	2
5	17G145	TAPERED BEARING	2
6	17G146	OUTER RACE	2
7	RG101	HUB W/RACE	2
8	DWM461	TAPERED BEARING	2
9	DWM462	INNER RACE	2
10	12N17	SEAL	2
11	LW27	SPINDLE	2
12	YPEX12025	EXPANSION PIN, 3/8 X 2-3/4	2
13	YNWL16005	WHEEL NUT, 1/2 G5	12
14	YBSD16005	BOLT STUD, 1/2 X 1-7/8 G5	12
15	RG101	HUB W/RACES	2
16	RG254	HUB COMPLETE	2
17	12N24	WHEEL, 15 X 8, 6 BOLT	2
18	UR2A	TIRE, 11L X 15SL	2
19	33417	COMPLETE TIRE AND WHEEL	2



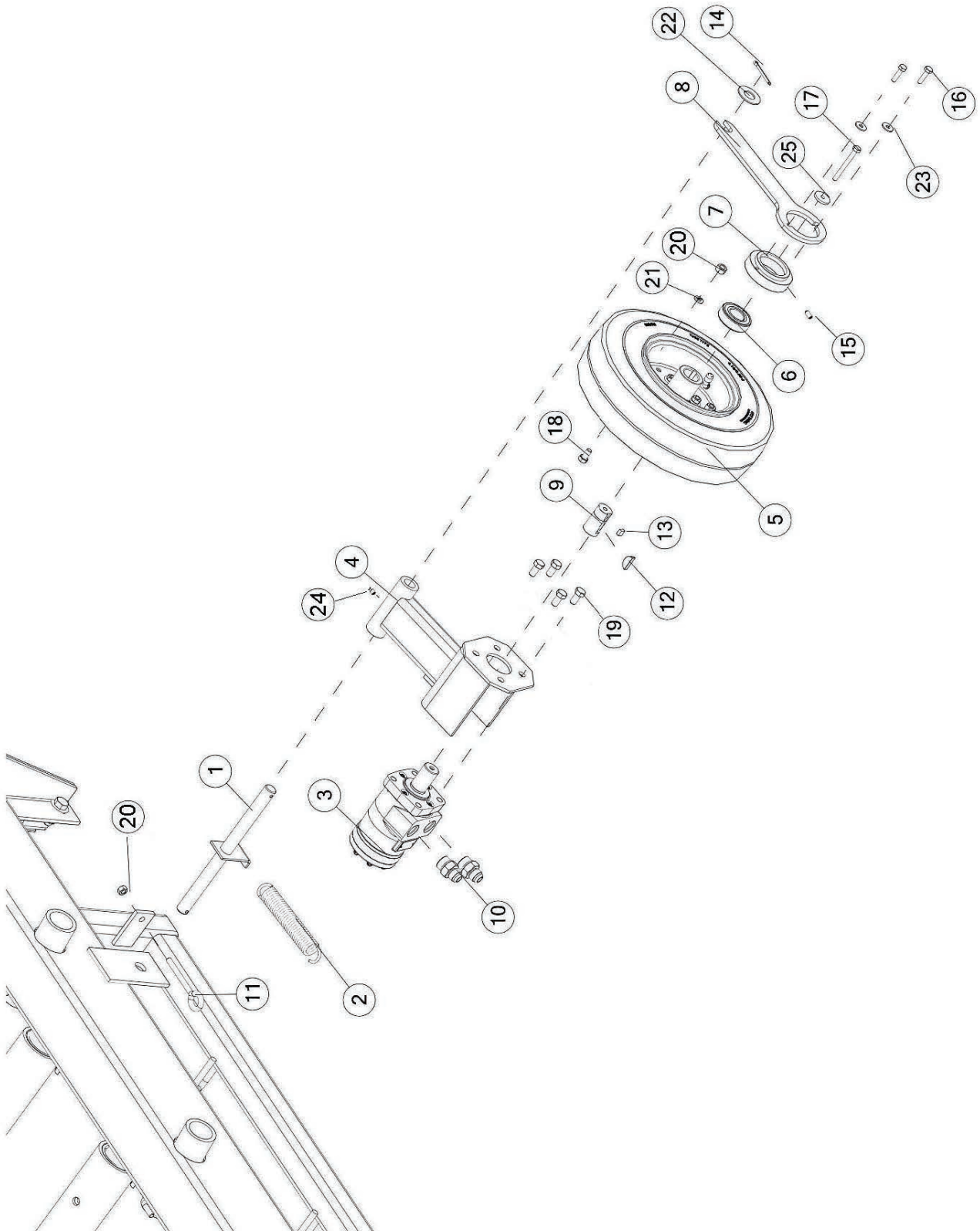




FIGURE 11

DRIVE MOTOR & COMPONENTS

REF #	PART #	DESCRIPTION	QTY
1	LWWE144	MOTOR PIVOT SHAFT	1
2	ST36	SPRING	1
3	75811	HYDRAULIC MOTOR	1
4	LW11	HYDRAULIC MOTOR MOUNT	1
5	LW113A	DRIVE WHEEL	1
6	8643	ONE WAY BEARING	1
7	LWSH29	TORQUE ARM BEARING MOUNT	1
8	LW3G43	BEARING TORQUE ARM	1
9	LWSH25	ONE WAY BEARING SHAFT	1
10	GM27	FITTING, 8JIC	2
11	YBTE10030	BOLT TURNED EYE, 5/16 X 3	1
12	5B10	WOODRUFF KEY, 1/4 X 1	1
13	LWMS24	BEARING KEY	1
14	YPCT05010	COTTER PIN 5/32 X 1-1/2	1
15	YSKP08010	SOCKET SET SCREW, 1/4 X 1/2	1
16	YBFB08100	BOLT FLANGE, 1/4 X 1 G5	2
17	YBFB08250	BOLT FLANGE, 1/2 X 2-1/2 G5	1
18	YBHH10132	BOLT HEX, 5/16 X 5/8 G5	6
19	YBFB12075	BOLT FLANGE, 3/8 X 3/4 G5	4
20	YNFG10005	NUT FLANGE, 5/16 GF	7
21	YWLO10005	WASHER LOCK, 5/16	6
22	16SV49	WASHER	1
23	YWFL08005	WASHER FLAT, 1/4	2
24	G89	STRAIGHT ZERK, 1/4 X 90	1
25	LW10G32	BEARING SHAFT WASHER	1





FIGURE 12
MANIFOLD ASSEMBLY

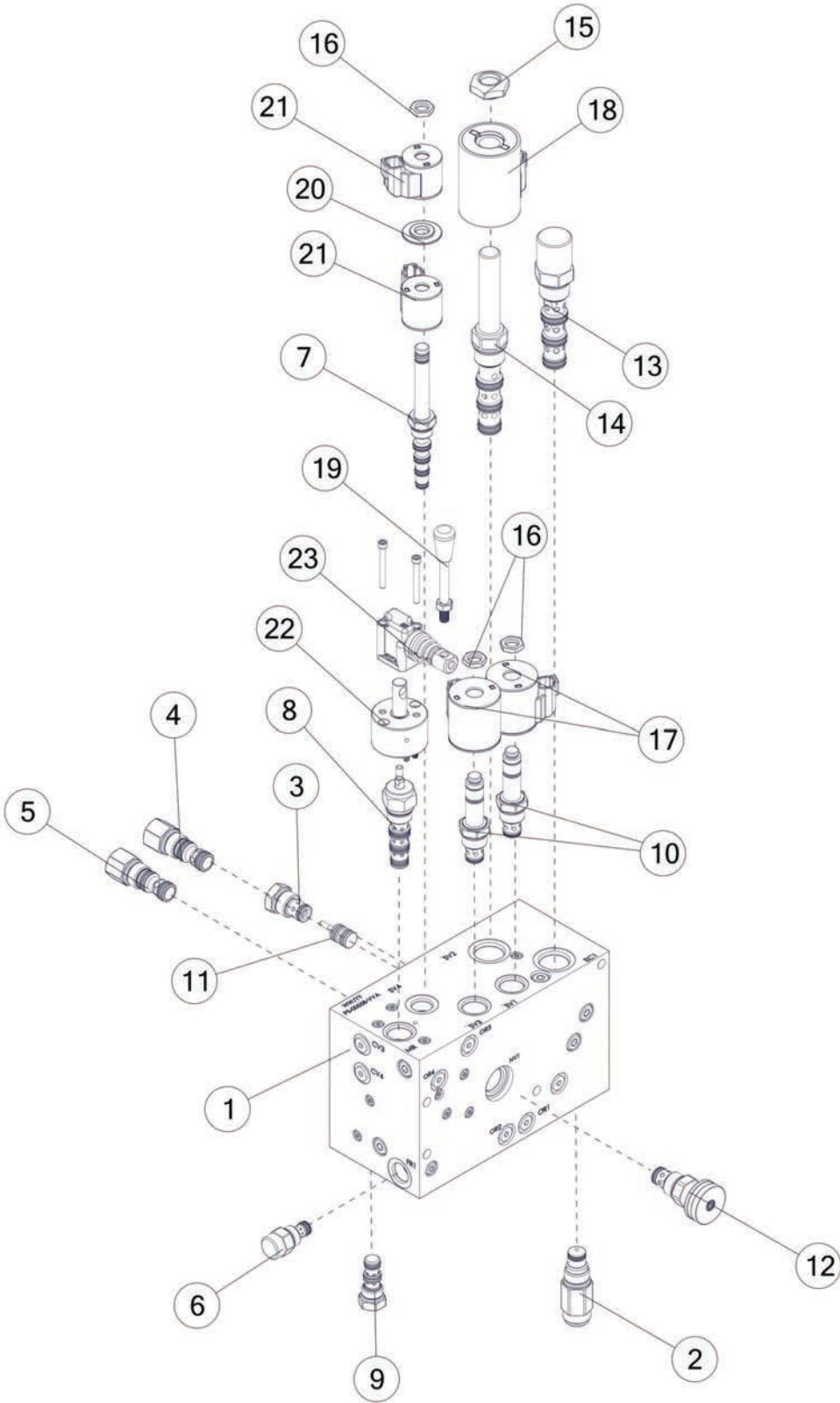




FIGURE 12 MANIFOLD ASSEMBLY

REF #	PART #	DESCRIPTION	QTY
1	78450	HYDRAULIC MANIFOLD	1
2	77061	HYD VALVE, 1500 PSI RELIEF	1
*	77135	SEAL KIT	1
3	77063	HYD VALVE, 30 PSI CHECK	1
*	77136	SEAL KIT	1
4	77064	HYD VALVE, 80 PSI LOGIC	1
*	77137	SEAL KIT	1
5	77065	HYD VALVE, 20 PSI LOGIC	1
*	77137	SEAL KIT	1
6	77066	HYD VALVE, FLOW CONTROL	1
*	77138	SEAL KIT	1
7	92934	HYD VALVE, 5 WAY	1
*	77134	SEAL KIT	1
8	92907	HYDRAULIC VALVE, LEVER	1
*	92934	SEAL KIT	1
9	78471	HYD VALVE, PILOT CHECK	1
*	74919	SEAL KIT	1
10	78864	HYD VALVE, DIRECTIONAL	2
*	77136	SEAL KIT	2
11	77062	HYD PISTON, 1 PILOT	1
12	LW318	HYD VALVE, NEEDLE	1
*	LW319	SEAL KIT	1
13	77067	HYD VALVE, 160 PSI EC	1
*	77139	SEAL KIT	1
14	77069	HYD VALVE, DIRECTIONAL	1
*	77139	SEAL KIT	1
15	77077	HYD, SPOOL NUT, #12	1
16	77078	HYD, SPOOL NUT, #8	3
17	78469	ELEC COIL, POPPET	2
18	78473	ELEC COIL, FLOW CONTROL	1
19	92906	LEVER	1
20	77074	ELEC, COIL SPACER, #8	1
21	74395	ELEC, COIL, #08 1.36A	2
22	92908	LEVER BASE ADAPTER	1
23	92909	LEVER BOX	1





FIGURE 13

MANIFOLD & MANUAL HOLDER

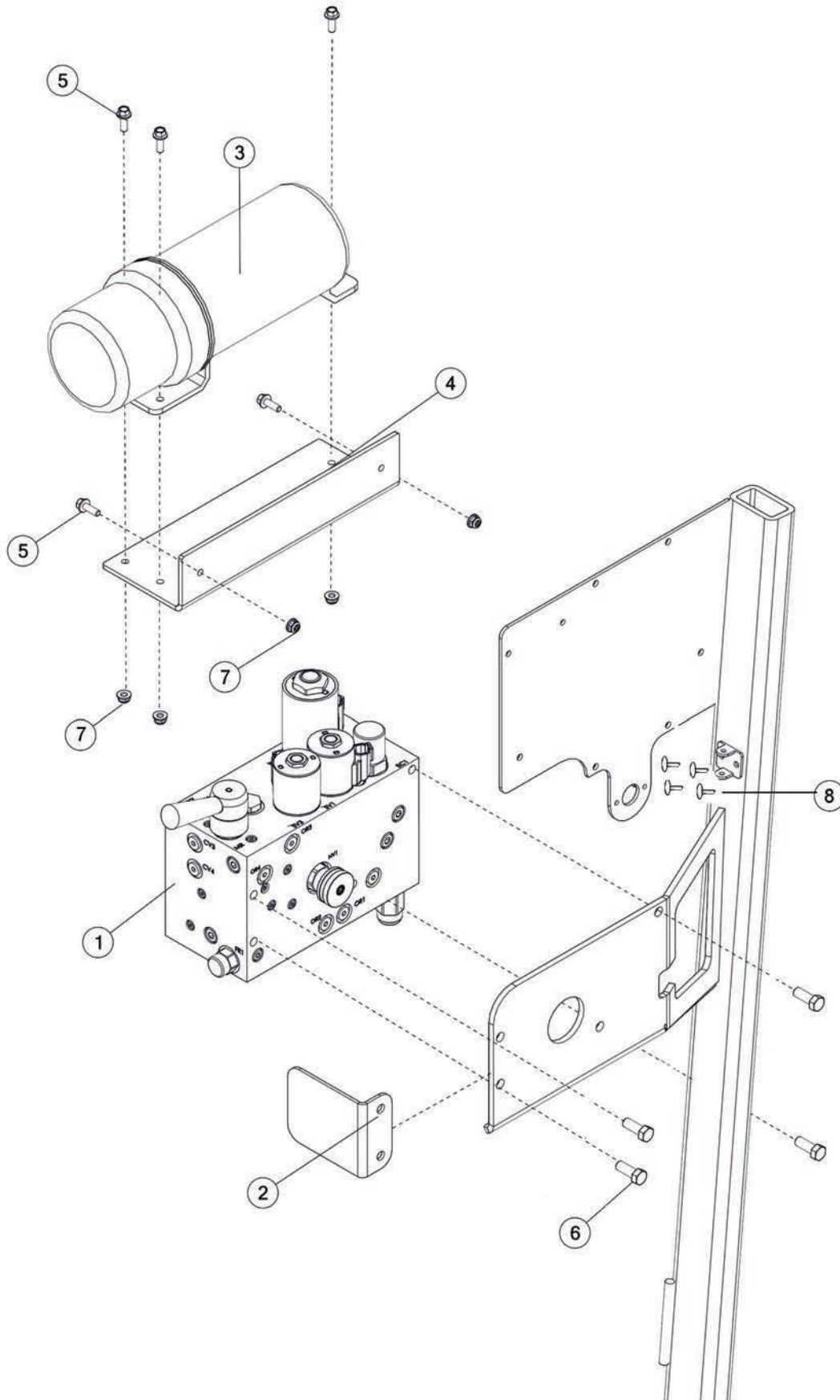




FIGURE 13
MANIFOLD & MANUAL HOLDER

REF #	PART #	DESCRIPTION	QTY
1	78450	MANIFOLD BODY	1
2	93160B	BRACKET W/DECAL	1
3	85453	MANUAL HOLDER	1
4	85456	MANUAL HOLDER BRACKET	1
5	YBFB08075	BOLT FLANGE, 1/4 X 3/4 G5	5
6	YBFB12003	BOLT FLANGE, 3/8 X 1 G8	4
7	YNFG08010	NUT FLANGE , 1/4	5
8	YSTC64005	THREAD CUTTING SCREW, PAN HEAD, 10-32 X 1/2	4



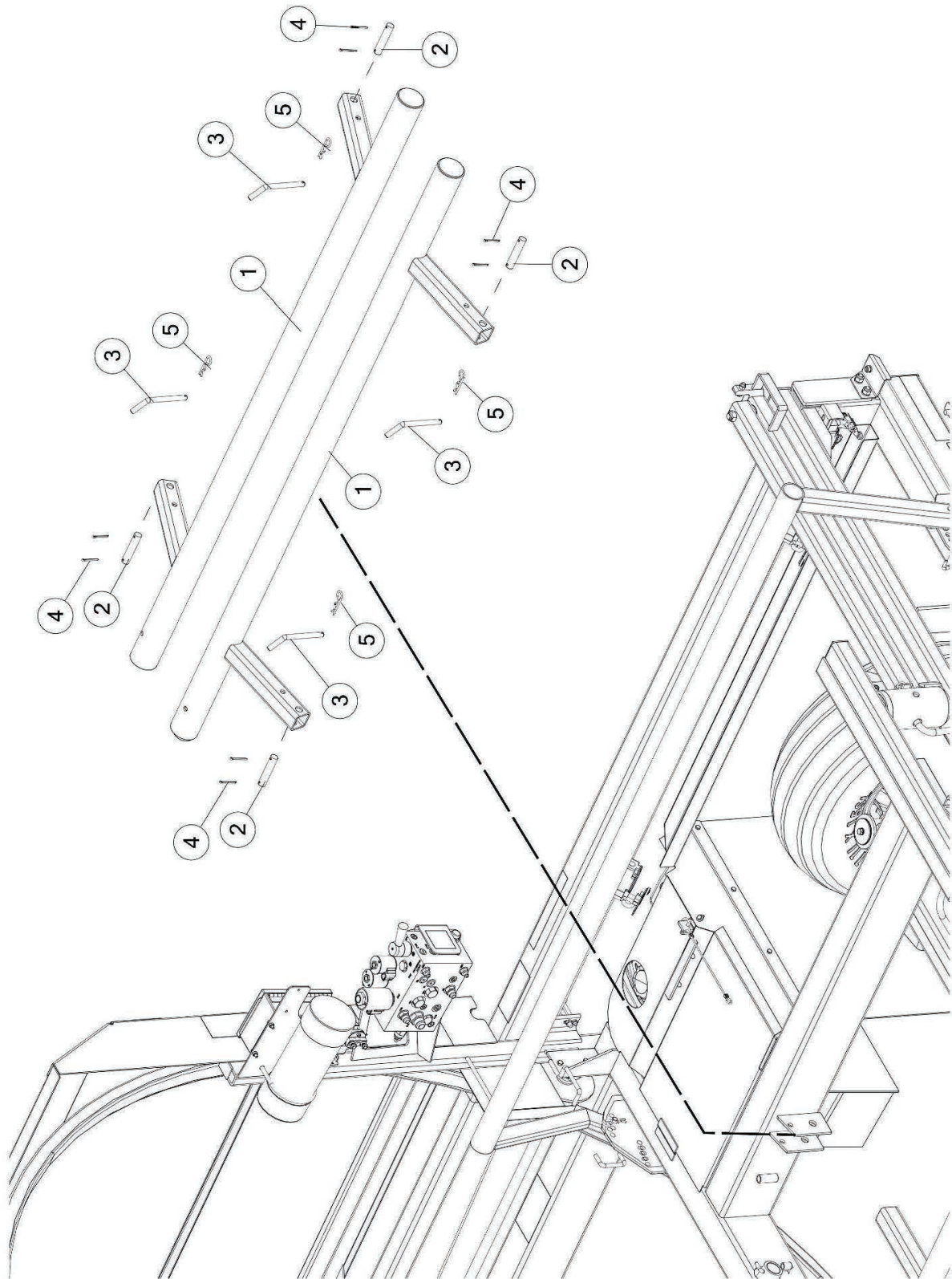




FIGURE 14

RISER COMPONENTS

REF #	PART #	DESCRIPTION	QTY
1	LW10	BALE RISER	2
2	LW57	PIN	4
3	LW49	RISER PIN	4
4	YPCT05010	COTTER PIN, 5/32 X 1-1/2	8
5	YPHR02010	HAIR PIN	2





FIGURE 15
BALE GUIDE COMPONENTS

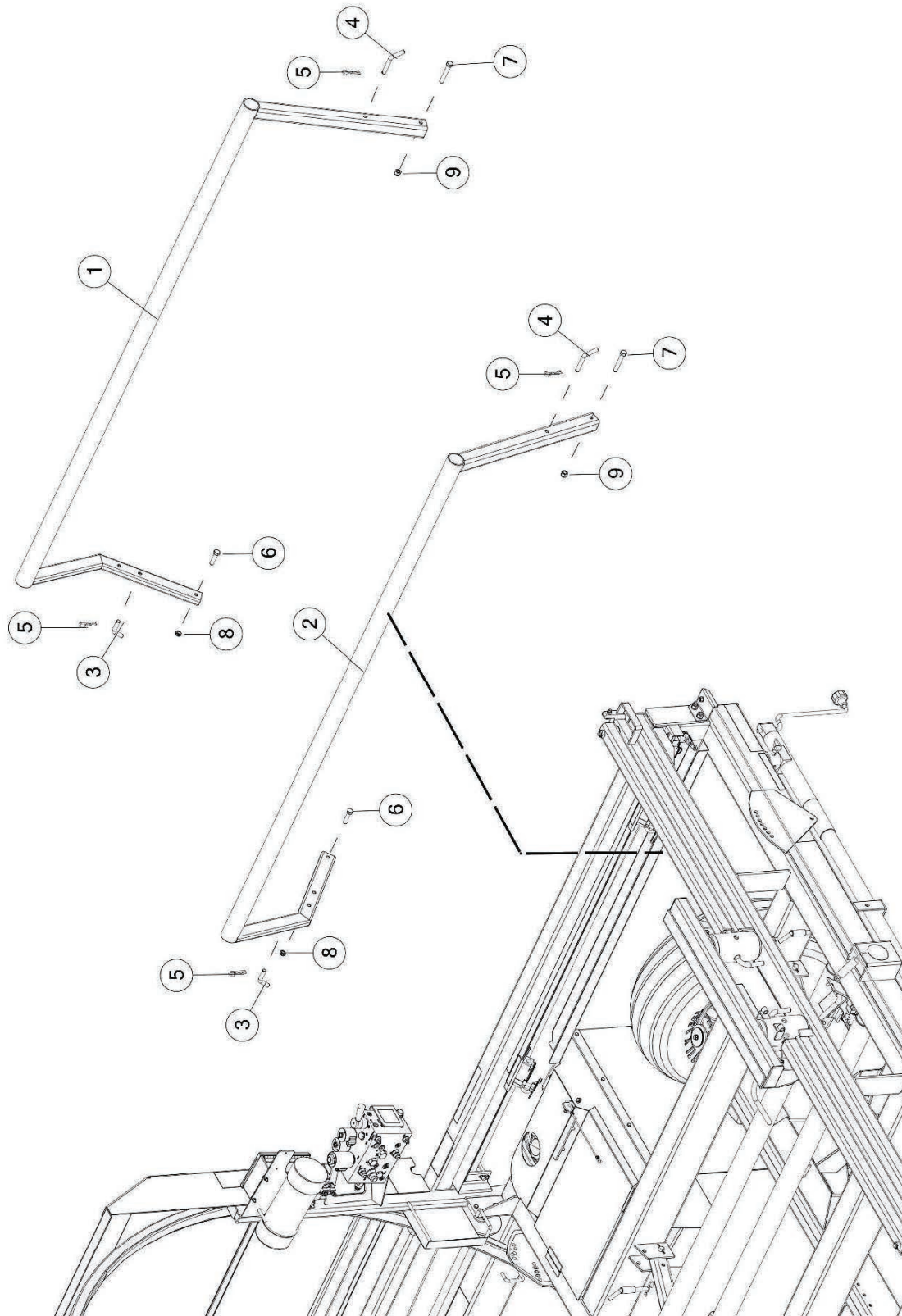


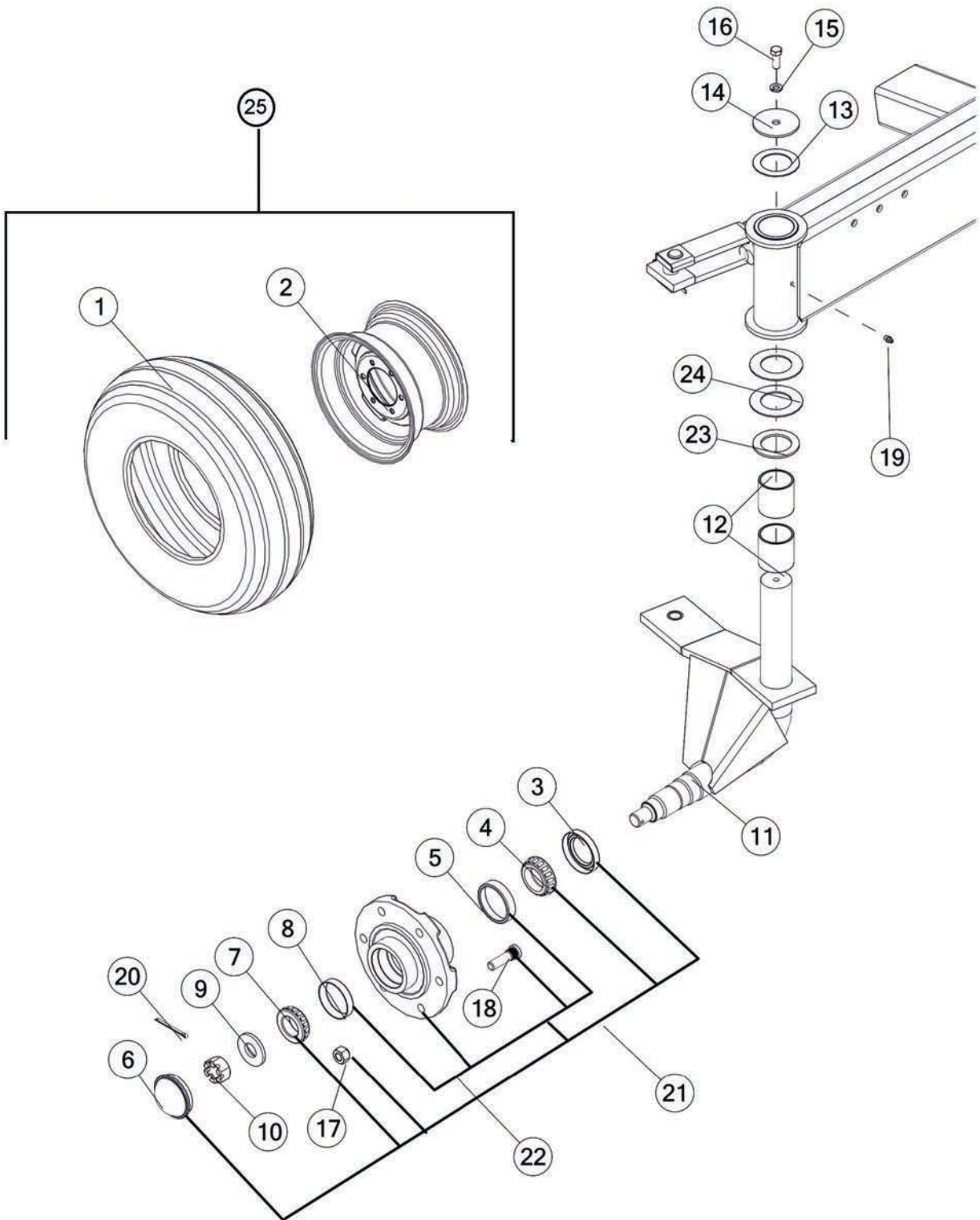


FIGURE 15

BALE GUIDE COMPONENTS

REF #	PART #	DESCRIPTION	QTY
1	LW8	BALE GUIDE LH	1
2	LW9	BALE GUIDE RH	1
3	LW51	BACK BALE GUIDE PIN	2
4	LW52	FRONT BALE GUIDE PIN	2
5	YPHR02010	HAIR PIN	4
6	YBFB16200	BOLT FLANGE, 1/2 X 2 G5	2
7	YBHH16120	BOLT HEX, 1/2 X 3-1/4 G5	2
8	YNNJ16005	NUT JAM, 1/2 LKNY G2	2
9	YNFG16003	NUT FLANGE, 1/2 GF	2





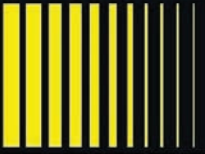


FIGURE 16

FRONT HUB & COMPONENTS

REF #	PART #	DESCRIPTION	QTY
1	UR2A	TIRE, 11L X 15	2
2	12N24	WHEEL, 15 X 8, 6-BOLT	2
3	12N17	SEAL	2
4	DWM461	TAPER BEARING	2
5	DWM462	INNER RACE	2
6	17G144	HUB CAP	2
7	17G145	ROLLER BEARING	2
8	17G146	OUTER RACE	2
9	HD200	WASHER	2
10	YNSL28005	NUT SLOT, 7/8 G2	2
11	RG86	SPINDLE, FRONT RH	1
*	RG93	SPINDLE, FRONT LH	1
12	RGT3	BRONZE BUSHING	4
13	RG90	WASHER	2
14	RG89	SPINDLE CAP, FRONT	2
15	YWLO12005	WASHER, LOCK, 3/8	2
16	YBHH12010	BOLT HEX, 3/8 X 1 G5	2
17	YNWL16005	NUT WHEEL, 1/2 G5	12
18	YBSD16005	BOLT STUD, 1/2 X 1-7/8 G5	12
19	G89	STRAIGHT ZERK, 1/4 X 90	2
20	YPCT05025	COTTER PIN, 5/32 X 2	2
21	RG254	COMPLETE HUB	2
22	RG101	HUB W/RACES	2
23	RG87	THRUST WASHER	2
24	RG88	THRUST WASHER	2
25	33417	COMPLETE TIRE AND WHEEL	2



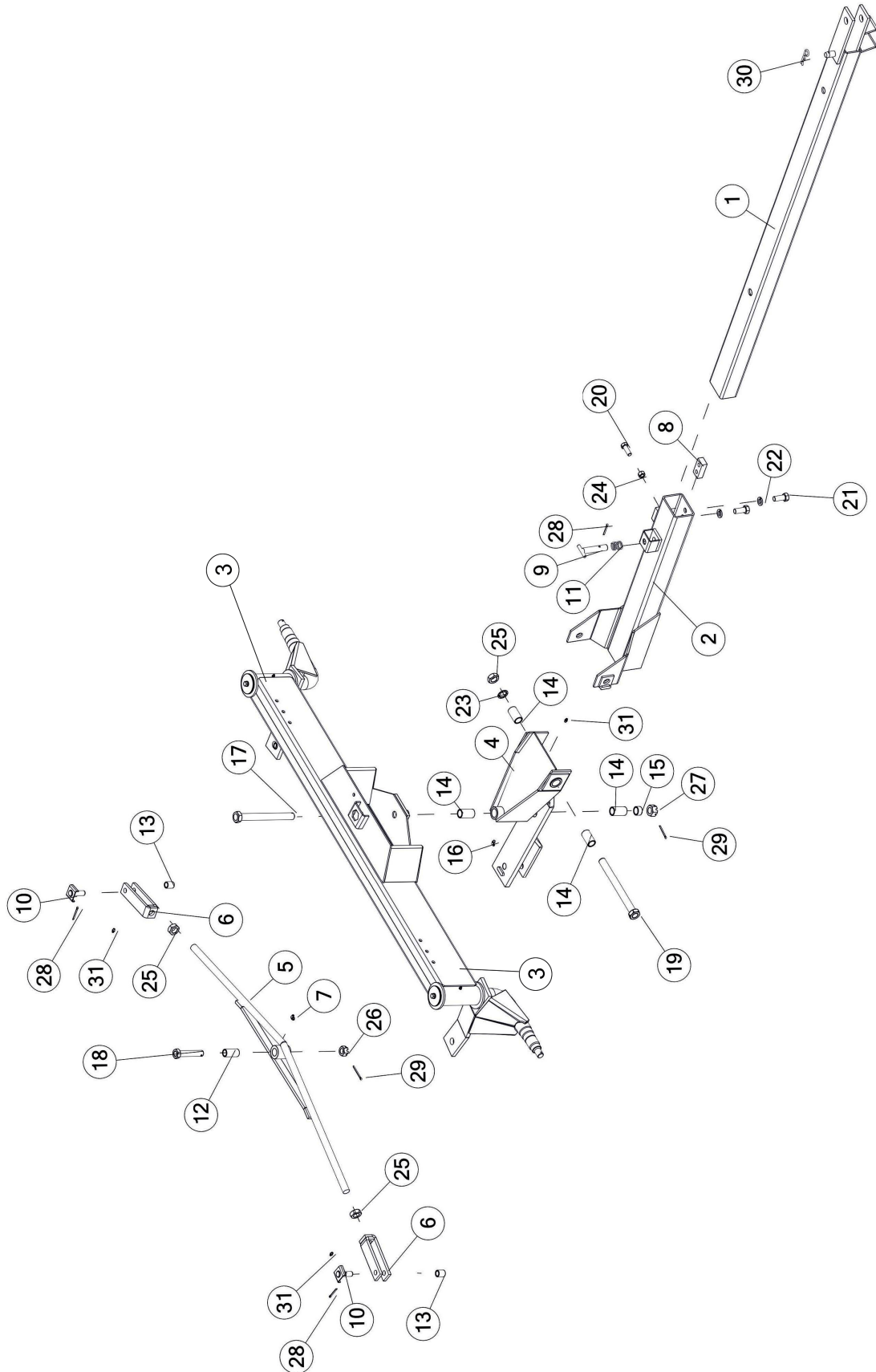




FIGURE 17

STEERING COMPONENTS

REF #	PART #	DESCRIPTION	QTY
1	LW16	INNER POLE	1
2	LW15	OUTER POLE	1
3	RG51	GREASE ZERK, 1/4, 90 DEG	1
4	LW44	POLE PIVOT	1
5	RG83	TIE ROD	1
6	RG91	CLEVIS	2
7	RG21	GREASE ZERK, 45 DEG	1
8	RG291	TELEPOLE STOP	1
9	BFR241	ADJUSTMENT HANDLE	1
10	RG30	CLEVIS PIN	1
11	BFR240	SPRING	2
12	RG18	BRONZE BUSHING	1
13	RG31	BRONZE BUSHING	1
14	RG77	BRONZE BUSHING	2
15	RG81	BRONZE BUSHING	4
16	RG51	GREASE ZERK, 1/4 X 90	1
17	RG287	QUEEN PIN	1
18	RG33	TIE ROD CENTER BOLT	1
19	RG85	POLE PIN	1
20	YBHH16025	BOLT HEX, 1/2 X 1-1/2 G2	1
21	YBHH20010	BOLT HEX, 5/8 X 1-1/2 G5	2
22	YWLO20005	WASHER LOCK, 5/8	2
23	YWSI28005	WASHER LOCK STAR, 7/8	1
24	YNHX16005	NUT HEX, 1/2 G2	1
25	YNJM28005	NUT JAM, 7/8	3
26	YNSL24010	NUT SLOTTED, 3/4 G2	1
27	YNSL28005	NUT SLOTTED, 7/8 G2	1
28	YPCT05010	COTTER PIN 5/32 X 1-1/2	2
29	YPCT05025	COTTER PIN, 5/32 X 2	2
30	YPHR02010	HAIR PIN	1
31	G89	STRAIGHT ZERK, 1/4 X 90	3





FIGURE 18
PUSH-OFF COMPONENTS

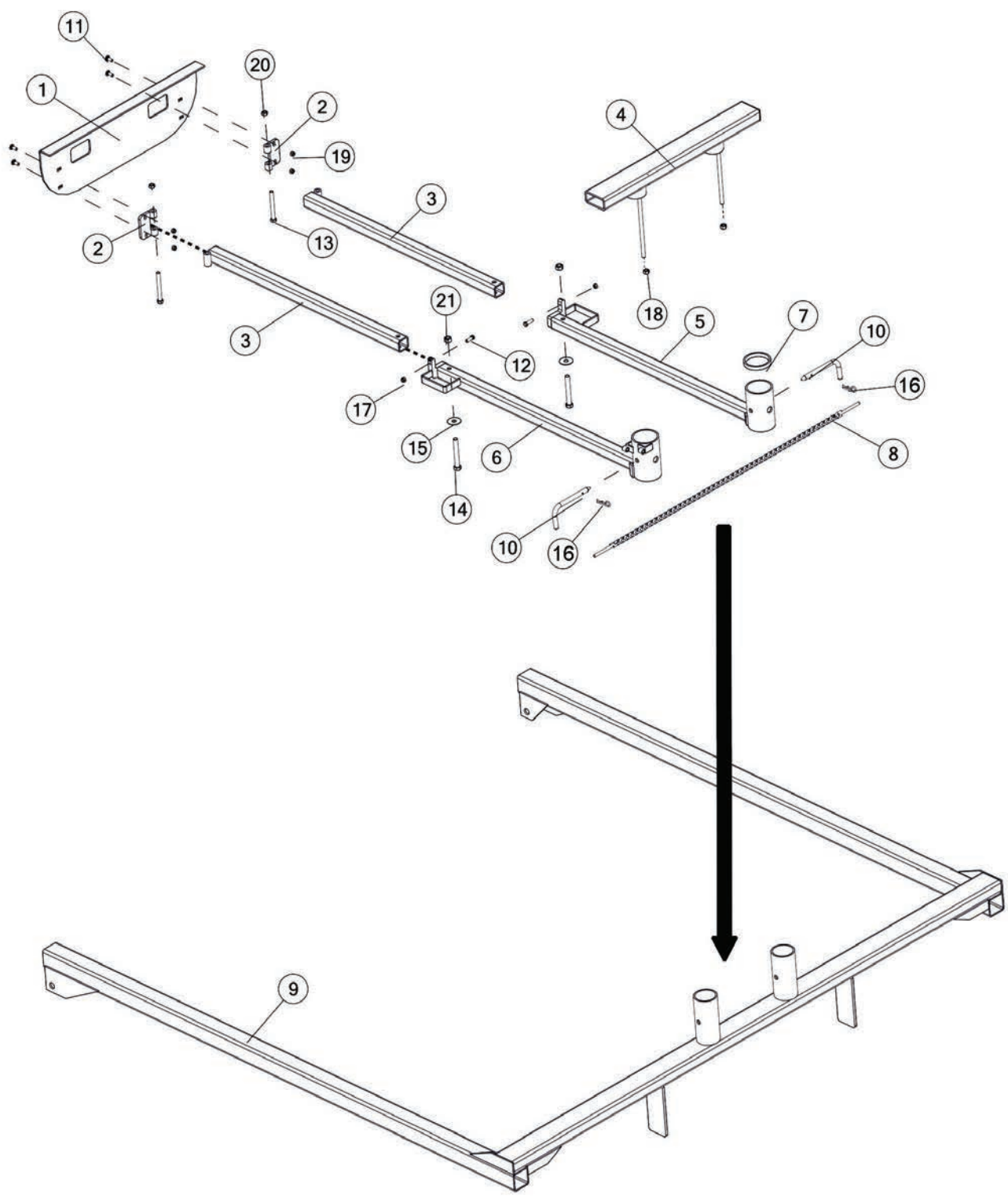




FIGURE 18 PUSH-OFF COMPONENTS

REF #	PART #	DESCRIPTION	QTY
1	LW344	PUSH OFF PLATE	1
2	LW345	PUSHER HINGE TAB	2
3	LW70	PUSH OFF ARMS SECONDARY	2
4	LW69	PUSHER TOP	1
5	73719	PUSH OFF ARM LH	1
6	73720	PUSH OFF ARM RH	1
7	LW284	SPACER	1
8	LW71	CHAIN	1
9	LW3	PUSHER	1
10	LW21	LOCKING PIN	2
11	YBCR12010	BOLT CARRIAGE, 3/8 X 1 G5	4
12	YSHS12005	BOLT SCOCKET, 3/8 G8	2
13	YBHH16150	BOLT HEX, 1/2 X 4-3/4 G5	2
14	YBHH20075	BOLT HEX, 5/8 X 4-3/4 G5	2
15	LW376	PUSH OFF WASHER	2
16	YPHR02010	HAIR PIN	2
17	YNHX12005	NUT HEX, 3/8	2
18	YNFG16003	NUT FLANGE, 1/2 GF	2
19	YNFG12006	NUT FLANGE, 3/8 GF	4
20	YNTL16005	NUT HEX, 1/2 G5	2
21	YNTL20005	NUT HEX, 5/8	2

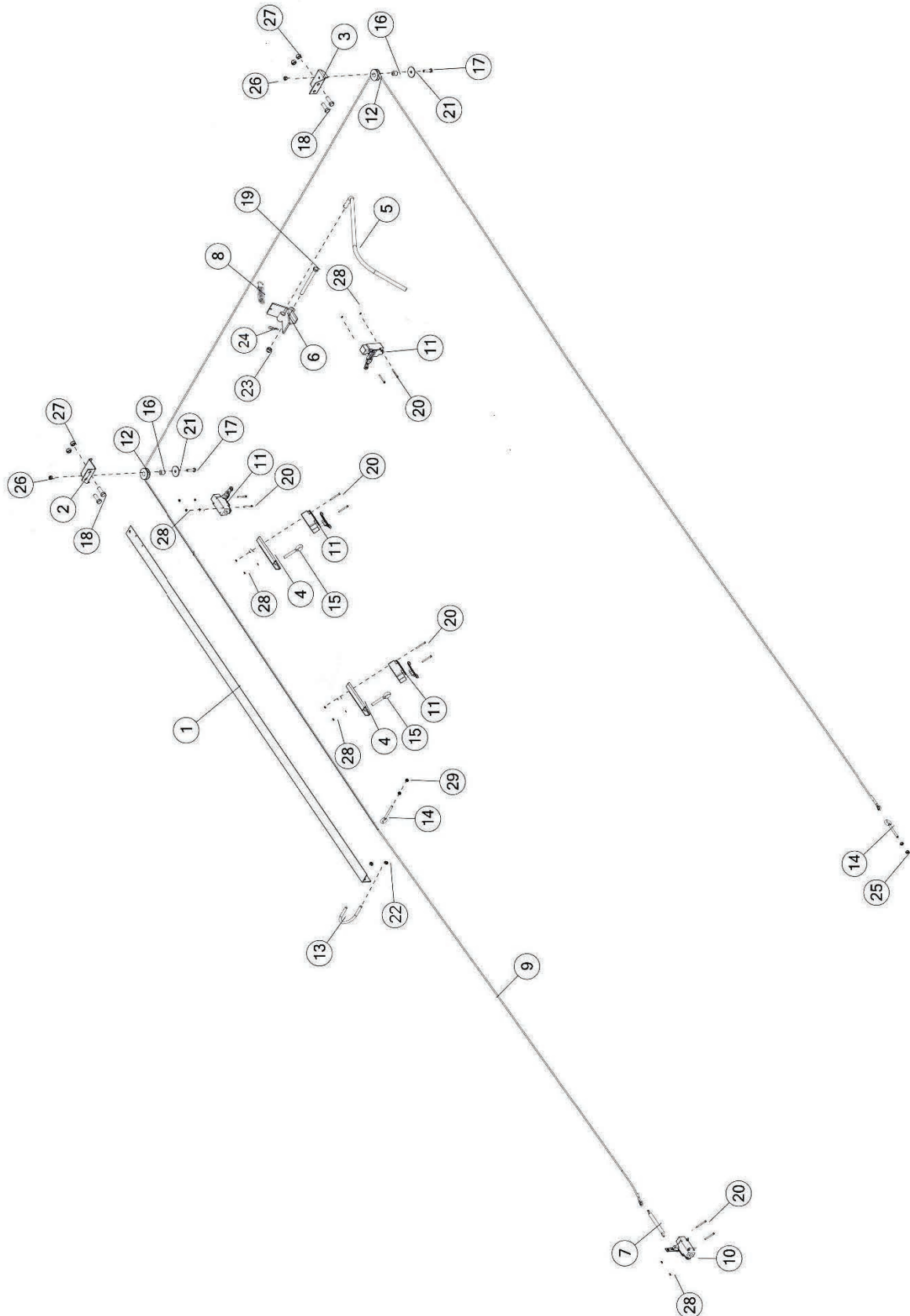




FIGURE 19

SAFETY CABLE & COMPONENTS

REF #	PART #	DESCRIPTION	QTY
1	LW31	SWITCH SLIDE RAIL	1
2	LW35	SAFETY PULLEY MOUNT LH	1
3	LW36	SAFETY PULLEY MOUNT RH	1
4	LW32	LIMIT SWITCH SLIDE	2
5	LW19	START TRIGGER ARM	1
6	LW18	START TRIGGER PIVOT	1
7	LW111	SAFETY SPRING	1
8	R27	SPRING	1
9	78704	SAFETY CABLE	1
10	78770	MICRO SAFETY SWITCH	1
11	LW78	MICRO SWITCH	4
12	BFR292	PULLEY	2
13	YBPU12015	BOLT U, 3/8 X 3	1
14	YBTE10030	BOLT TURNED EYE, 5/16 X 3	2
15	YBTE12015	BOLT TURNED EYE, 3/8 X 2-1/2	2
16	ST81	EXTENSION SPACER, 11/16	2
17	YBFB12175	BOLT FLANGE, 3/8 X 1-3/4 G5	2
18	YBFB16150	BOLT FLANGE, 1/2 X 1-1/2 G5	4
19	YBHH16165	BOLT HEX, 1/2 X 6 G5	1
20	YSHS64009	BOLT SOCKET, #10-32 X 1-5/8 G8 ZC	10
21	YWCU12005	WASHER FLAT, 3/8	2
22	YNJM12005	NUT JAM, 3/8	2
23	YNNY16005	NUT HEX, 1/2 G2	1
24	YPHR02005	HAIR PIN	1
25	YNHX10005	NUT HEX, 5/16	1
26	YNFG12006	NUT FLANGE, 3/8 GF	2
27	YNFG16003	NUT FLANGE, 1/2 GF	4
28	YNNY64006	NUT HEX, 10-32 SS	10
29	YNJM10005	NUT JAM, 5/16	1





FIGURE 20
ENGINE GUARD PANELS

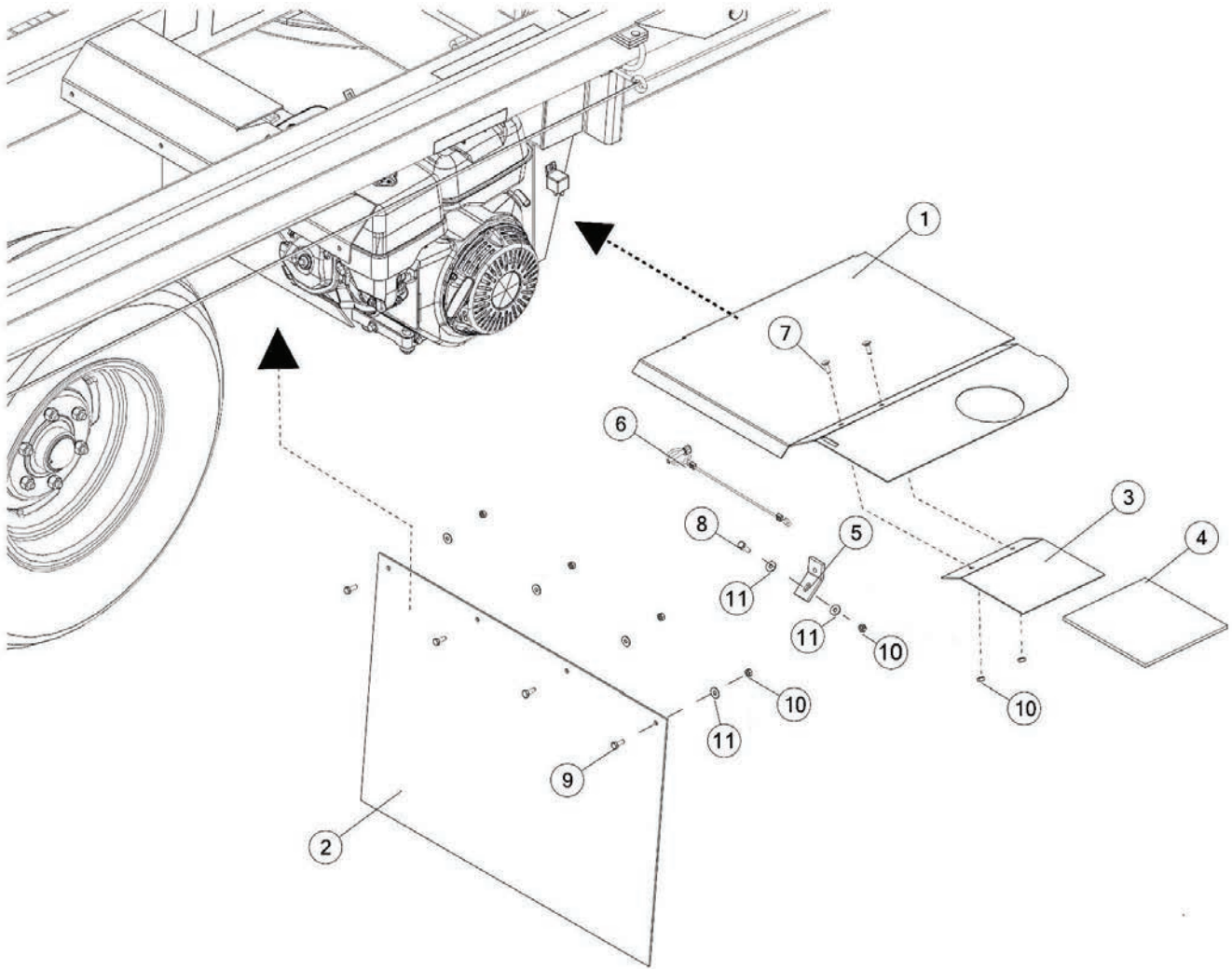




FIGURE 20

ENGINE GUARD PANELS

REF #	PART #	DESCRIPTION	QTY
1	LW33	ENGINE COVER	1
2	LW68	MUD FLAP	1
3	LW168	HEAT SHIELD	1
4	MS22	FLAME RETARDENT PAD	1
5	LW46	ENGINE SHIELD CLIP	1
6	S122	LYNCH PIN W/LANYARD	1
7	YBCR08040	BOLT CARRIAGE, 1/4 X 3/4 G5	2
8	YBFB08100	BOLT FLANGE, 1/4 X 1 G5	1
9	YBFB08075	BOLT FLANGE, 1/4 X 3/4 G5	4
10	YNFG08010	NUT FLANGE, 1/4 GF	7
11	YWFL08005	WASHER FLAT, 1/4	6



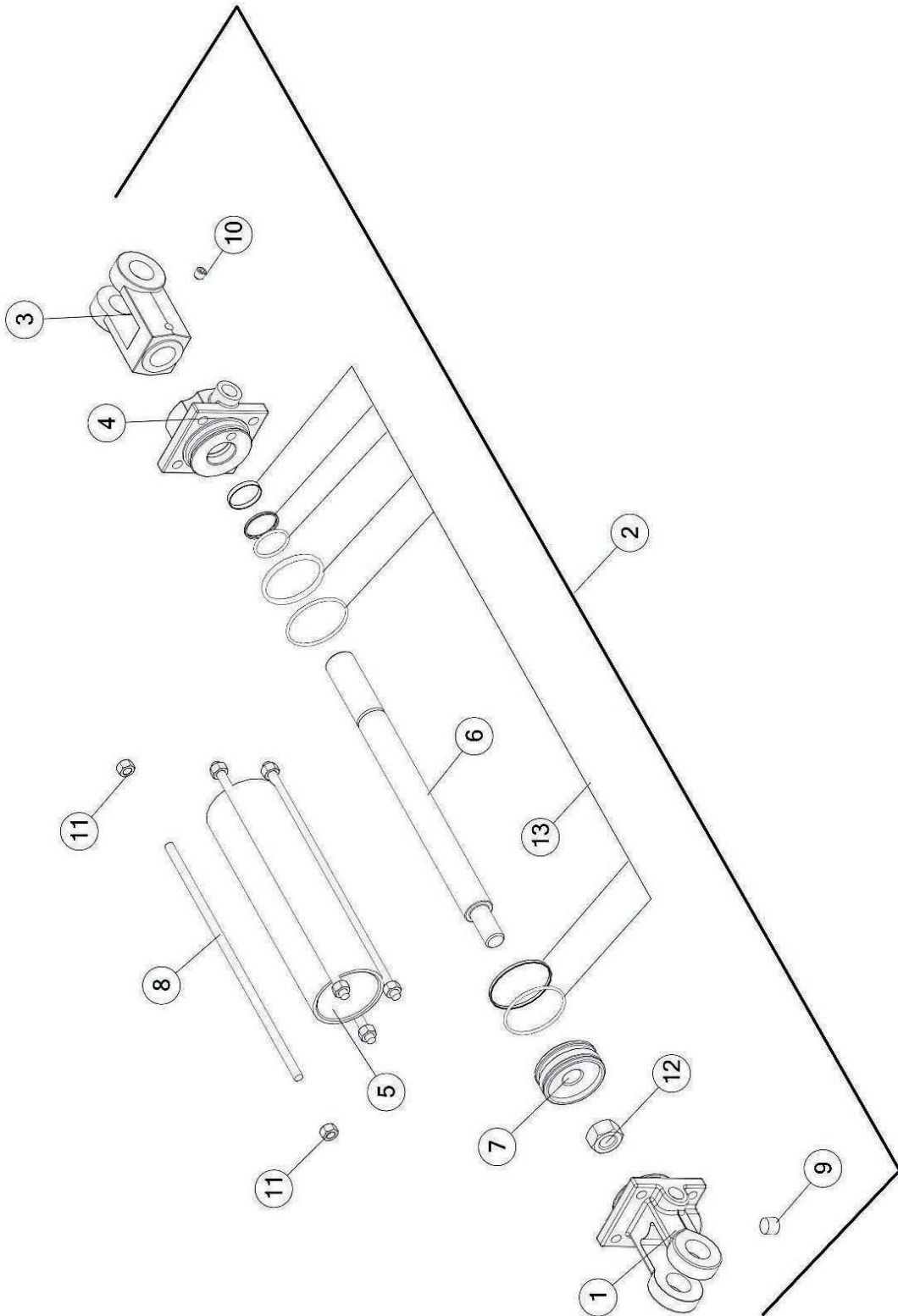


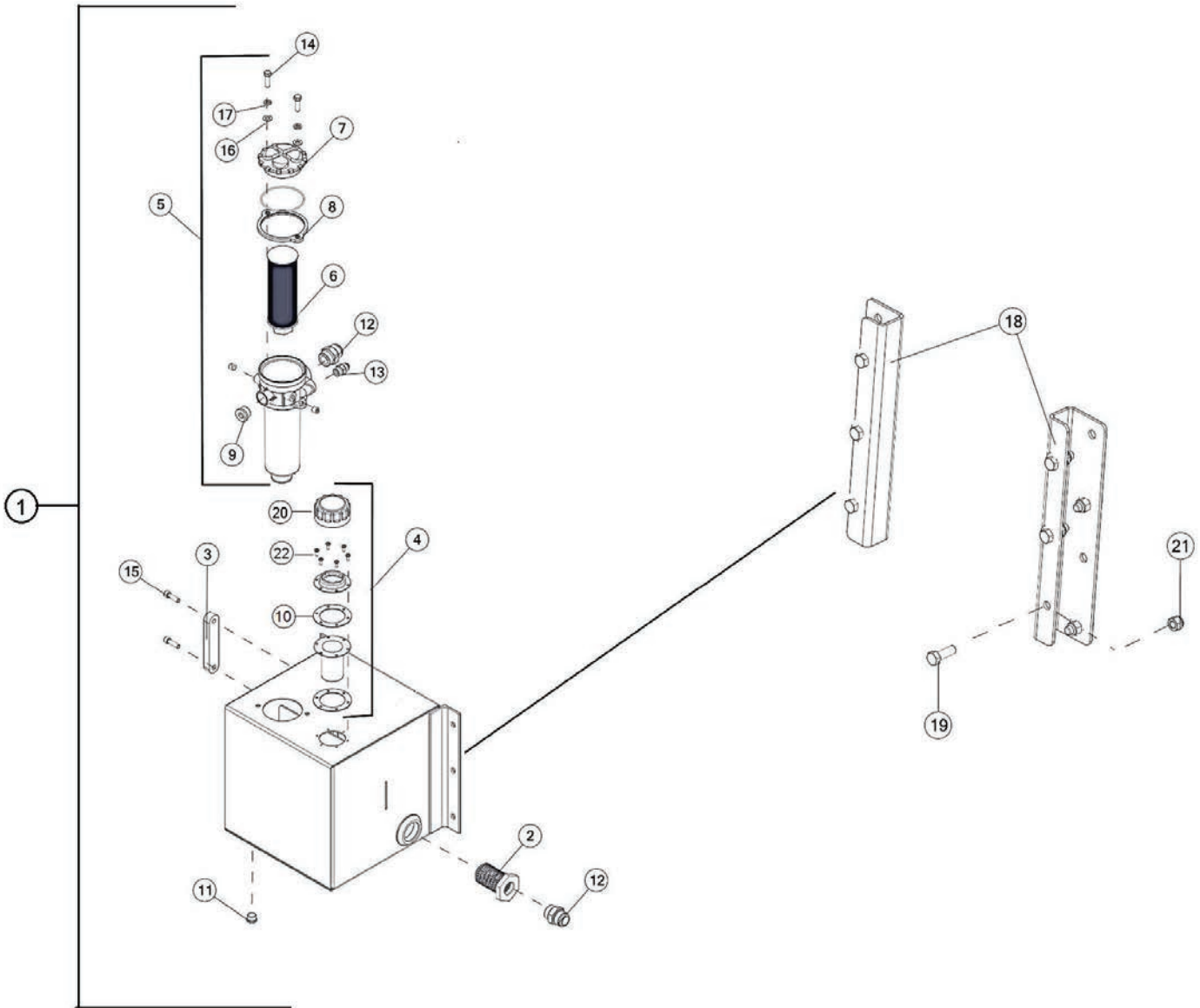


FIGURE 21

TAIL CYLINDER

REF #	PART #	DESCRIPTION	QTY
1	56173	CLEVIS CAP	1
2	56006	HYDRAULIC CYLINDER, 2-1/2 X 8	1
3	23N150A	ROD CLEVIS	1
4	56175	ROD CAP	1
5	T185	CYLINDER TUBE	1
6	T184A	CYLINDER ROD	1
7	56181	PISTON	1
8	T186	TIE ROD	4
9	23N149	PLUG	1
10	YSSO12015	SET SCREW, SOCKET, 3/8 X 3/8	1
11	YNHX12006	NUT HEX, 3/8 G2	8
12	23N148	PISTON NUT	1
13	56188	SEAL KIT	1







REF #	PART #	DESCRIPTION	QTY
1	76223B	OIL TANK ASSEMBLY W/DECAL, 11 GAL	1
2	76227	SCREEN	1
3	78772	GUAGE	1
4	78773	FILTER ASSEMBLY	1
5	76187	TANK FILTER ASSEMBLY	1
6	77420	OIL FILTER	1
7	78776	FILTER HOUSING CAP	1
8	78779	SEAL KIT	1
9	58166	HEX PLUG, 8	1
10	78774	GASKET	2
11	58166	HEX PLUG 8	1
12	TFM23	FITTING, 16JIC X 16ORB	1
13	TS137	FITTING, 8JIC X 8ORB	1
14	YBHH12035	BOLT HEX, 3/8 X 1-1/4 G5	2
15	YSHS12005	BOLT SOCKET, 3/8 X 1-1/4 G8	2
16	YWFL12010	WASHER FLAT, 3/8 SAE G8	2
17	YWLO12010	WASHER LOCK, 3/8 G8	2
18	78652	BRACKET	2
19	YBFB16125	BOLT FLANGE, 1/2 X 1-1/4 G5	10
20	78775	OIL CAP	1
21	YNFG16003	NUT FLANGE, 1/2 GF	10
22	YSMP64005	MACHINE PPHS, #10-32 X 1/2	6



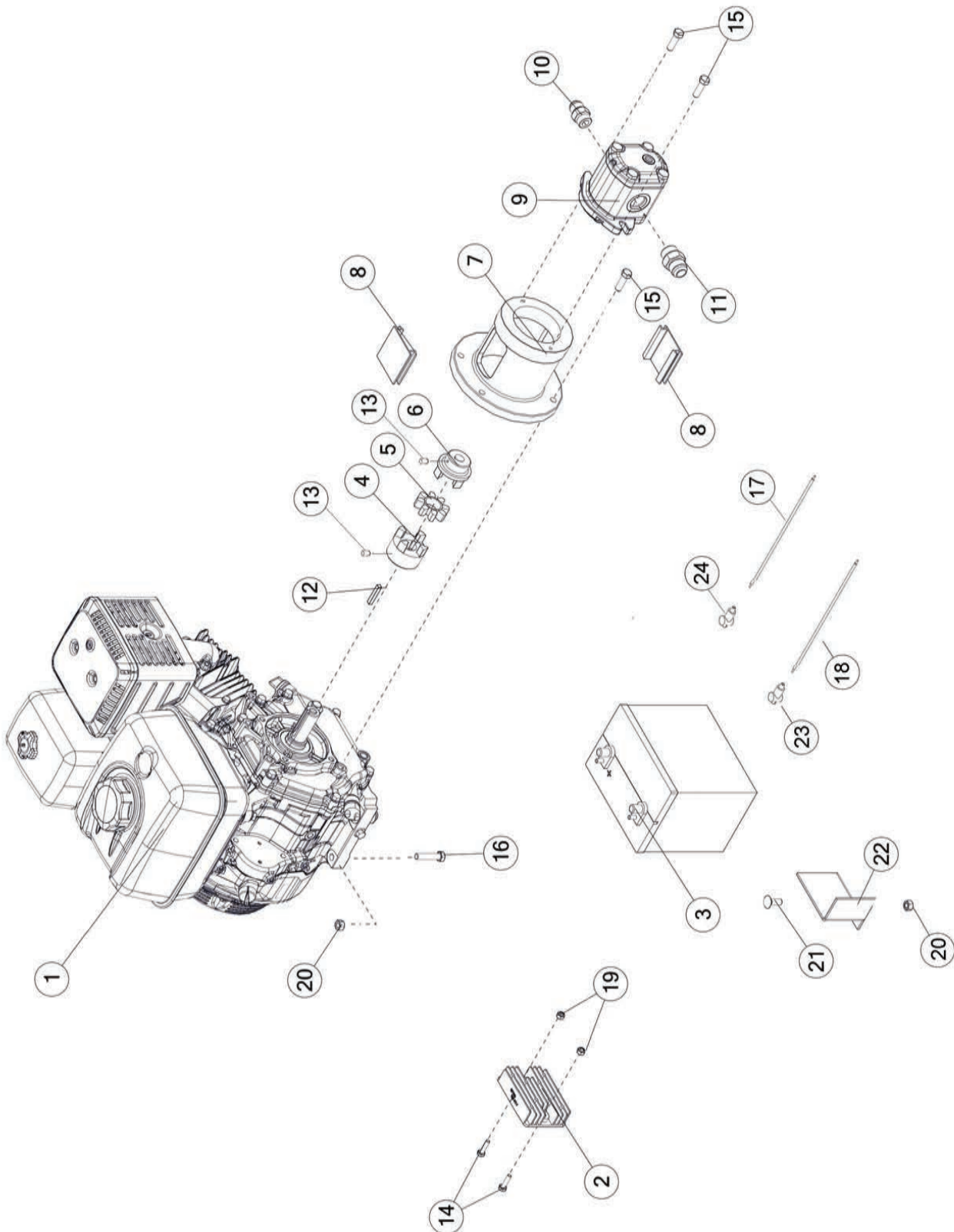




FIGURE 23

ENGINE & COMPONENTS

REF #	PART #	DESCRIPTION	QTY
1	75398	ENGINE	1
2	78209	REGULATOR	1
3	LW166	BATTERY	1
4	LW301	COUPLING	1
5	LW287	SHORE SPIDER	1
6	LW286	COUPLING	1
7	LW300	PUMP HOUSING	1
8	59679	HOUSING COVER	2
9	75810	HYDRAULIC PUMP	1
10	GM57	FITTING, 10J IC X 10ORB	1
11	SD273	FITTING, 12JIC X 12ORB	1
12	PB218	KEY	1
13	YSSO64005	SET SCREW, SOCKET, #10-32 X 1/4	2
14	YBFB08100	BOLT FLANGE , 1/4 X 1 G5	2
15	YBFB12125	BOLT BLANGE, 3/8 X 1-1/4 G5	6
16	YBFB12175	BOLT FLANGE, 3/8 X 1-3/4 G5	4
17	79446	BATTERY CABLE, RED	1
18	LW172	BATTERY CABLE, BLACK	1
19	YNFG08010	NUT FLANGE , 1/4 GF	2
20	YNFG12006	NUT FLANGE , 3/8 GF	6
21	YBCR12010	BOLT CARRIAGE, 3/8	2
22	LW40	BATTERY HOLDER	1
23	59850	BOOT, BLACK	1
24	77595	BOOT, RED	1
*	72477	FUEL CAP	1
*	72441	DIP STICK	1
*	72442	OIL PLUG	1
*	78206	ELEMENT AIR CLEANER	1
*	78207	ELEMENT OUTER CLEANER	1
*	78208	SPARK PLUG	1



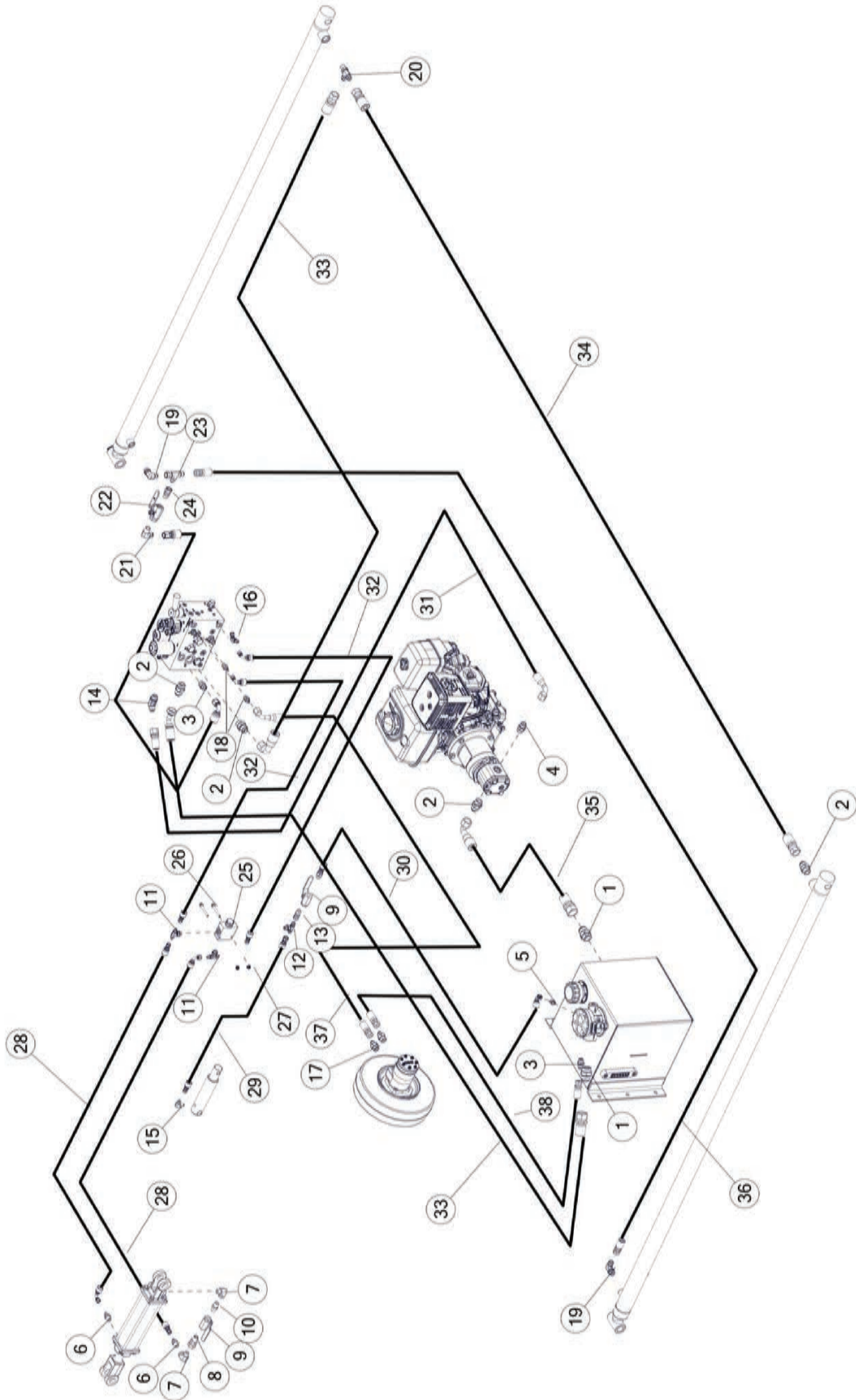




FIGURE 24

HYDRAULICS & COMPONENTS

REF #	PART #	DESCRIPTION	QTY
1	TFM23	FTG,ST,16JIC,16ORB,STL	2
2	SD273	FTG,ST,12JIC,12ORB,STL	4
3	TS137	FTG,ST,8JIC,8ORB,STL	2
4	GM57	FTG,ST,10JIC,10ORB,STL	1
5	53449	FITTING, ST, 04JIC , 02NPT,	1
6	58124	FITTING, ST, 04JIC , 06NPT	2
7	23N234	ELBOW, STREET, 3/8", 90 DEGREE	2
8	58247	MALE ADAPTER UNION, 3/8	1
9	16SV338	BALL VALVE, 3/8	2
10	16SV351	FITTING STRAIGHT, 6NPT X 6NPT	1
11	83279	FITTING T, 4 JIC, 4 JIC, 6 ORB	2
12	89939	FITTING T, 6 JIC, 6 JIC, 6 ORB	1
13	CHM266	MALE CONNECTOR 37 DEG SWIVEL	1
14	CHM175	FITTING, 45, 10JIC X 10ORB	1
15	58469	FITTING, 90, 4JIC X 1/4NPT	1
16	71281	FITTING, 90, 4JIC X 6ORB	1
17	GM27	FITTING, ST, 8JIC X 10ORB STL	2
18	SD279	FITTING, ST, 4JIC X 6ORB STL	2
19	TS135	FITTING, 90, 8JIC X 8ORB	2
20	77465	FITTING, T, 8JIC X 8ORB X 8JIC STL	1
21	58189	FITTING, 90, 8JIC X 1/2NPT	1
22	85426	BALL VALVE, 1/2 NPT	1
23	63336	FITTING, TEE, 8JIC X 8JIC X 8JIC	1
24	58190	MALE CONNECTOR 37 DEG SWIVEL	1
25	89997	HYDRAULIC MANIFOLD	1
26	YBFB08200	BOLT FLANGE, 1/4 X 2 G5	2
27	YNFG08010	NUT FLANGE, 1/4 GF	2
28	89957	HYDRAULIC HOSE, 4, 105IN	2
29	89969	HYDRAULIC HOSE, 4, 48IN	1
30	89965	HYDRAULIC HOSE, 4, 132	1
31	79118	HYDRAULIC HOSE, -10, 54IN	1
32	89941	HYDRAULIC HOSE, 4, 76-1/2IN	3
33	79119	HYDRAULIC HOSE, -12, 130IN	2
34	79128	HYDRAULIC HOSE, 12, 98IN	1
35	79125	HYDRAULIC HOSE, 12, 57IN	1
36	79129	HYDRAULIC HOSE, 8, 120IN	1
37	79122	HYDRAULIC HOSE, 8, 74IN	1
38	79126	HYDRAULIC HOSE, 8, 73IN	1





FIGURE 25
PUSHER SLIDE

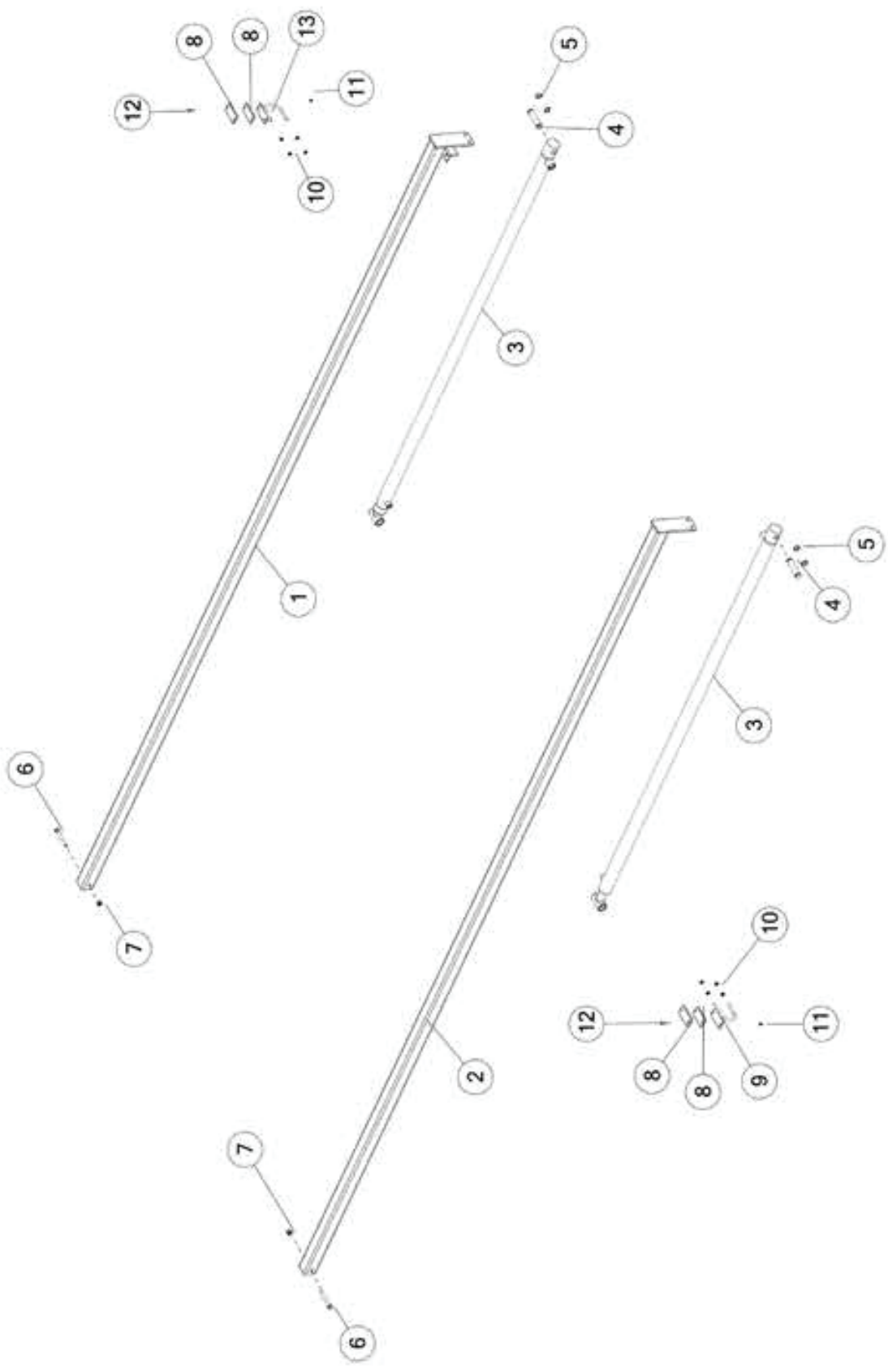




FIGURE 25

PUSHER SLIDE

REF #	PART #	DESCRIPTION	QTY
1	LW6	PUSHER SLIDE LH	1
2	LW7	PUSHER SLIDE RH	1
3	78612	HYD CLINDER, 2 X 84	2
*	78293	SEAL KIT	1
4	LW58	PIN	2
5	3G21	SNAP RING	4
6	YBHH16125	BOLT HEX, 1/2 X 3-3/4 G5	2
7	YNNY16005	NUT HEX, 1/2 G2	2
8	LW228	POLY SKID PLATE	4
9	LW226	SKID PLATE RH	1
10	YNJM12005	NUT JAM, 3/8	8
11	YNRL08005	NUT HEX, 1/4	2
12	YBCR08035	BOLT CARRIAGE, 1/4 X 3/4 G2	2
13	LW227	SKID PLATE LH	1





FIGURE 26
OPTIONAL WORK LIGHT

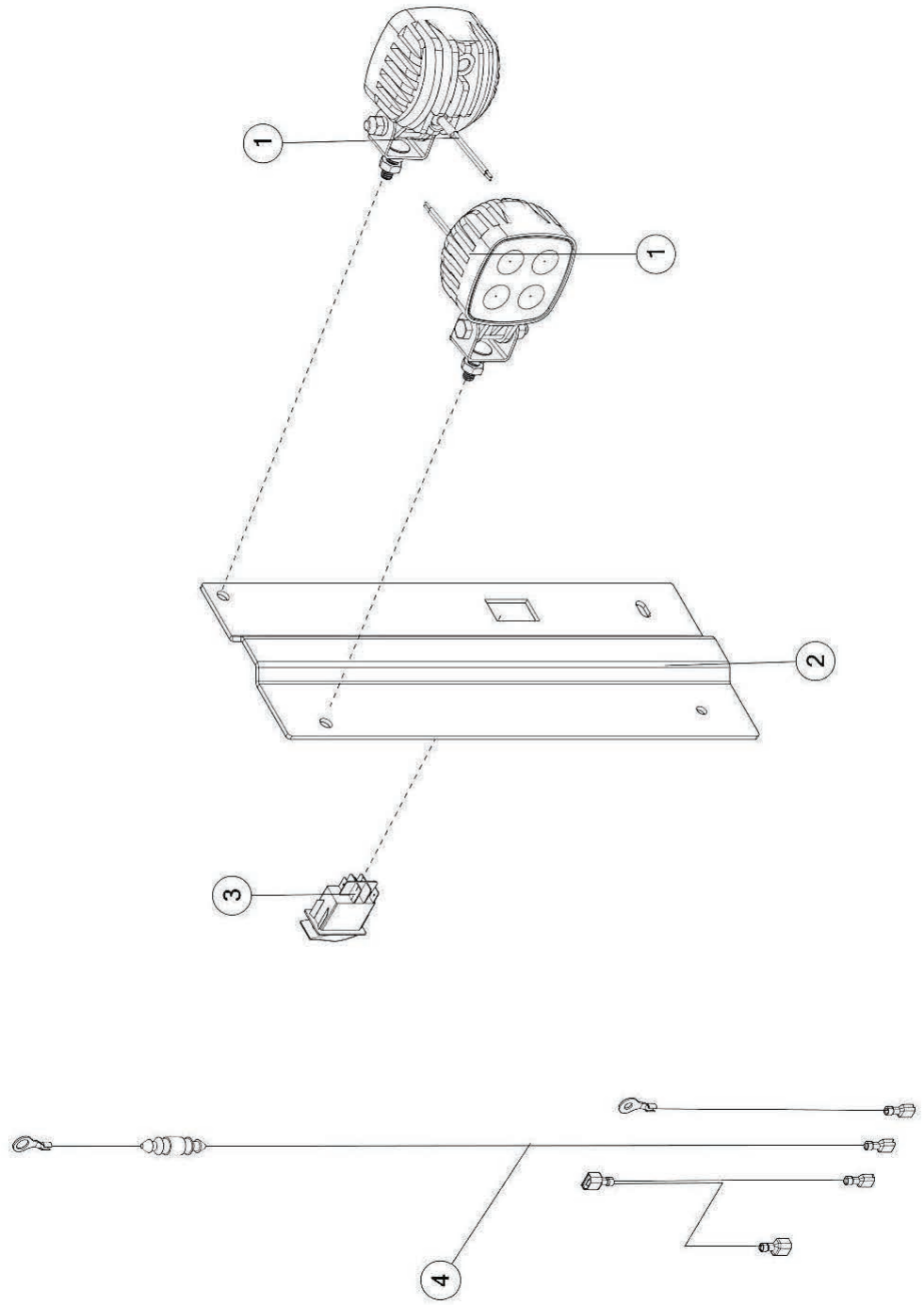




FIGURE 26
OPTIONAL WORK LIGHT

REF #	PART #	DESCRIPTION	QTY
1	70620	WORK LIGHT	2
2	LW149	LIGHT BRACKET	1
3	LW151	LIGHT SWITCH	1
4	79484	LIGHT HARNESS	1





FIGURE 27
OPTIONAL RISER SHELF (BWO3)

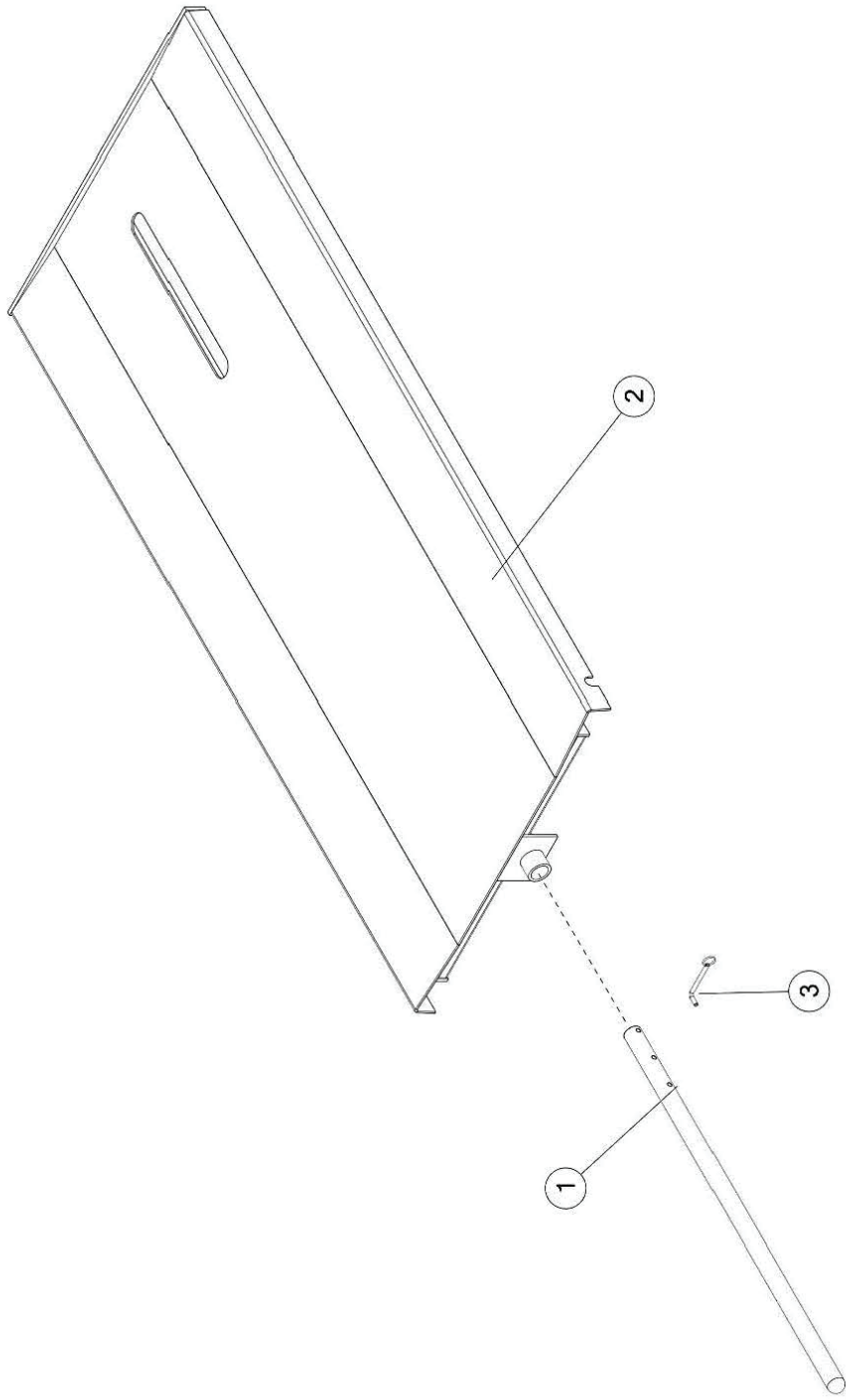




FIGURE 27

OPTIONAL RISER SHELF (BWO3)

REF #	PART #	DESCRIPTION	QTY
1	LWSH23	FORK	1
2	LW198	RISER SHELF	1
3	LW169	FORK PIN	1





FIGURE 28

REMOTE

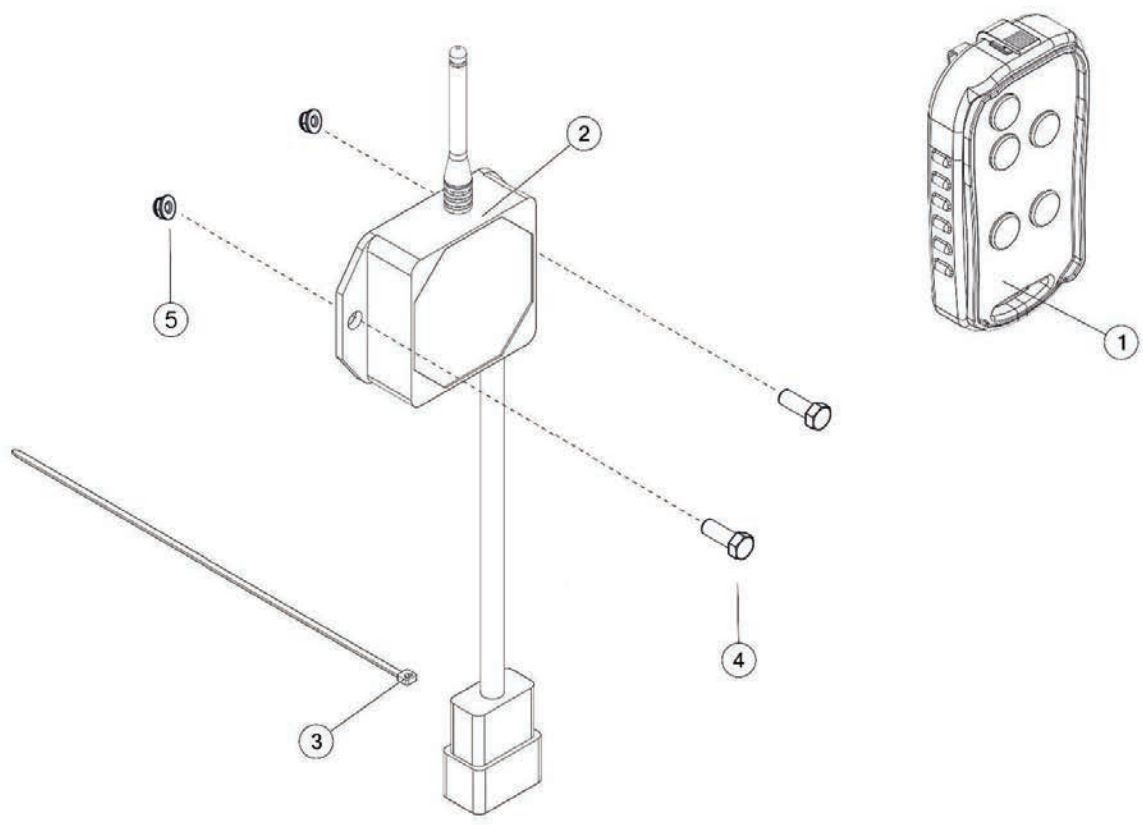




FIGURE 28
REMOTE

REF #	PART #	DESCRIPTION	QTY
1	70752	TRAMSMITTER W/CHARGER	1
2	LW282	MINI RECEIVER 8 OUTPUT	1
3	CIZT102	ZIP TIE	1
4	YBHH08095	BOLT HEX, 1/4 X 3/4 G2	2
5	YNFG08010	NUT FLANGE, 1/4 GF	2





FIGURE 29

REMOTE START & STEER KIT

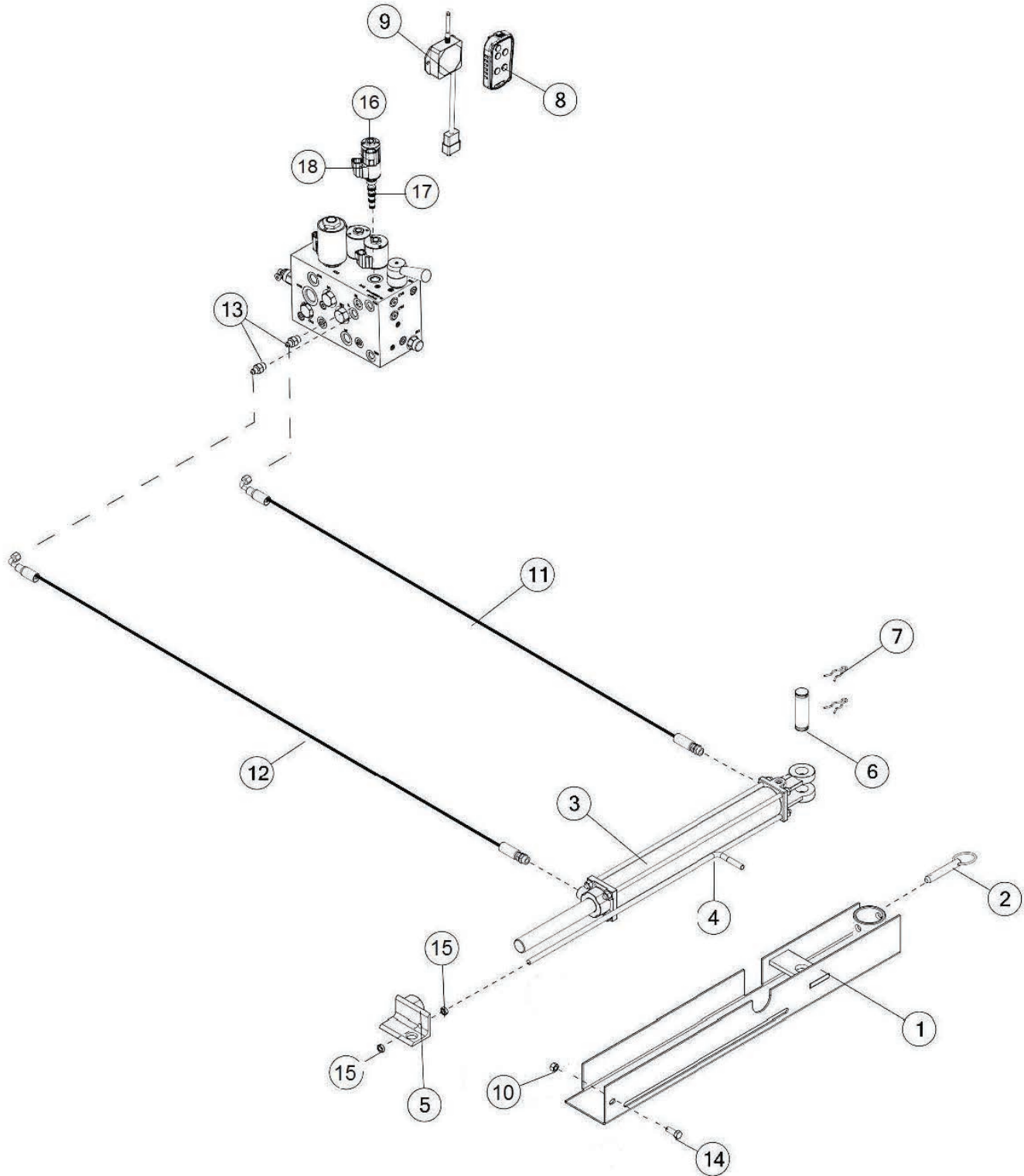




FIGURE 29

REMOTE START & STEER KIT

REF #	PART #	DESCRIPTION	QTY
1	78771	STEERING CYLINDER TRAY	1
2	BFR4	PULL PIN	1
3	56315	HYD CYLINDER (2 X 16)	1
4	LW235	INDICATOR ROD	1
5	LW234	STEERING ANGLE	1
6	T143	PIN	1
7	YPHR02020	HAIR PIN	2
8	70752	TRANSMITTER W/CHARGER	1
9	LW282	MINI RECEIVER 8 OUTPUT	1
10	YNFG12006	NUT FLANGE, 3/8 GF	1
11	79131	HYD HOSE, 4 X 132	1
12	79130	HYD HOSE, 4 X 152	1
13	SD279	FITTING, 4JIC X 6ORB	2
14	YBFB12003	BOLT FLANGE, 3/8 X 1 G5 ZC	1
15	YNJM12005	NUT JAM, 3/8	2
16	74394	HYD VALVE, 5 WAY	1
17	74395	ELEC COIL, POPPET	1
18	77074	ELEC COIL, SPACER, 8	1





FIGURE 30 OPTIONAL TAIL LIGHTS

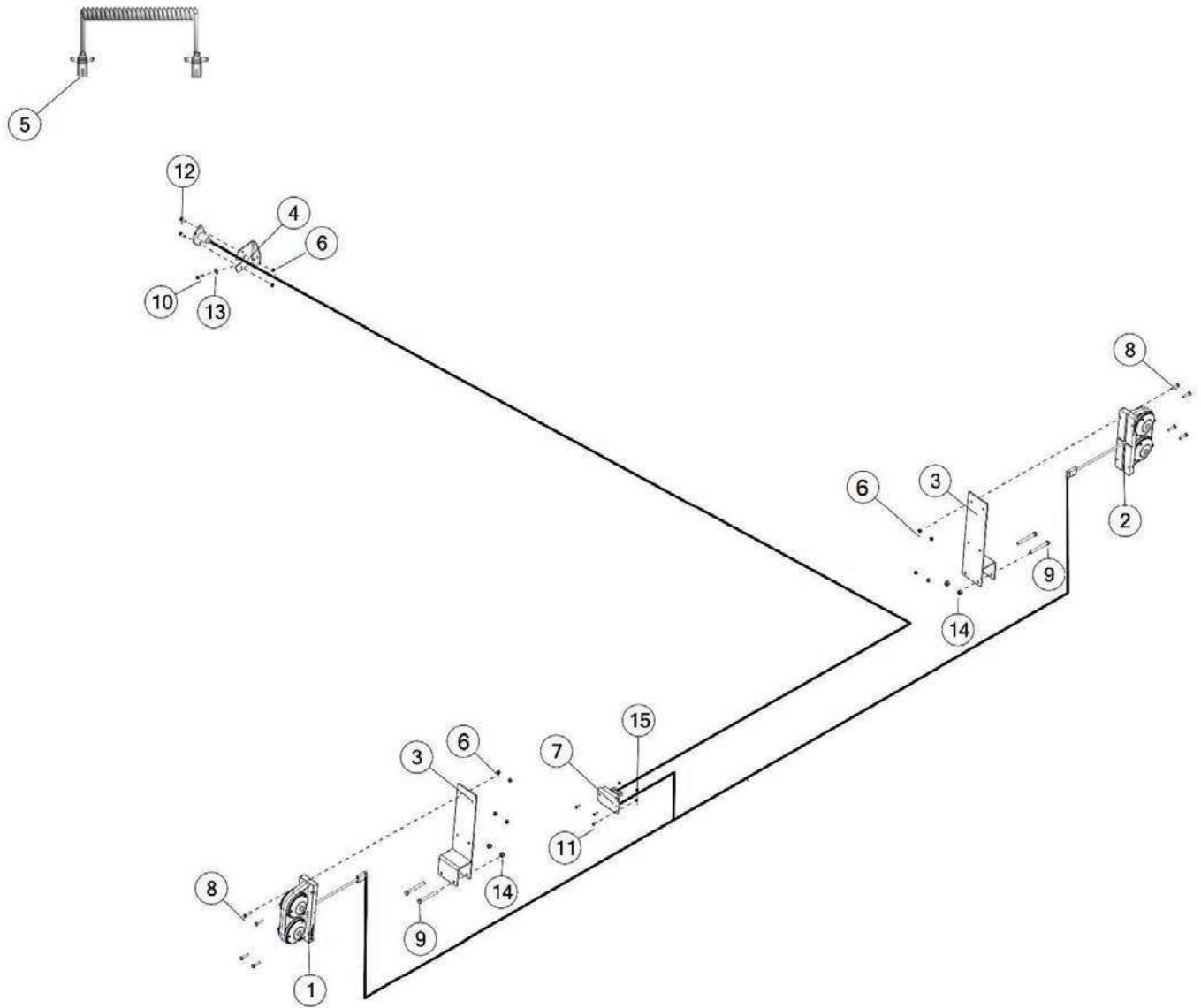




FIGURE 30 OPTIONAL TAIL LIGHTS

REF #	PART #	DESCRIPTION	QTY
1	77923	TAIL LIGHT LH	1
2	77924	TAIL LIGHT RH	1
3	78057	LIGHT BRACKET	2
4	BFR659	LIGHT BRACKET	1
5	TLPC	TRANSPORT LIGHT CORD	1
6	YNNY08005	NUT HEX, 1/4 G2	10
7	69908	MODULE CONTROL BLINKER	1
8	YBHH08030	BOLT HEX, 1/4 X 1-1/4 G2	8
9	YBHH12145	BOLT HEX, 3/8 X 3-1/2 G5	4
10	YSDR08005	SELF DRILLING SCREW, 1/4 X 1	1
11	YSPN64005	SCREW, PAN HEAD #10 X 5/8	3
12	YBHH08095	BOLT HEX, 1/4 X 3/4 G2	2
13	YWFL10005	WASHER FLAT, 5/16	1
14	YNNY12005	NUT HEX, 3/8, G2	4
15	YNNY64005	NUT HEX, #10 G2	3





FIGURE 31

ELECTRICAL

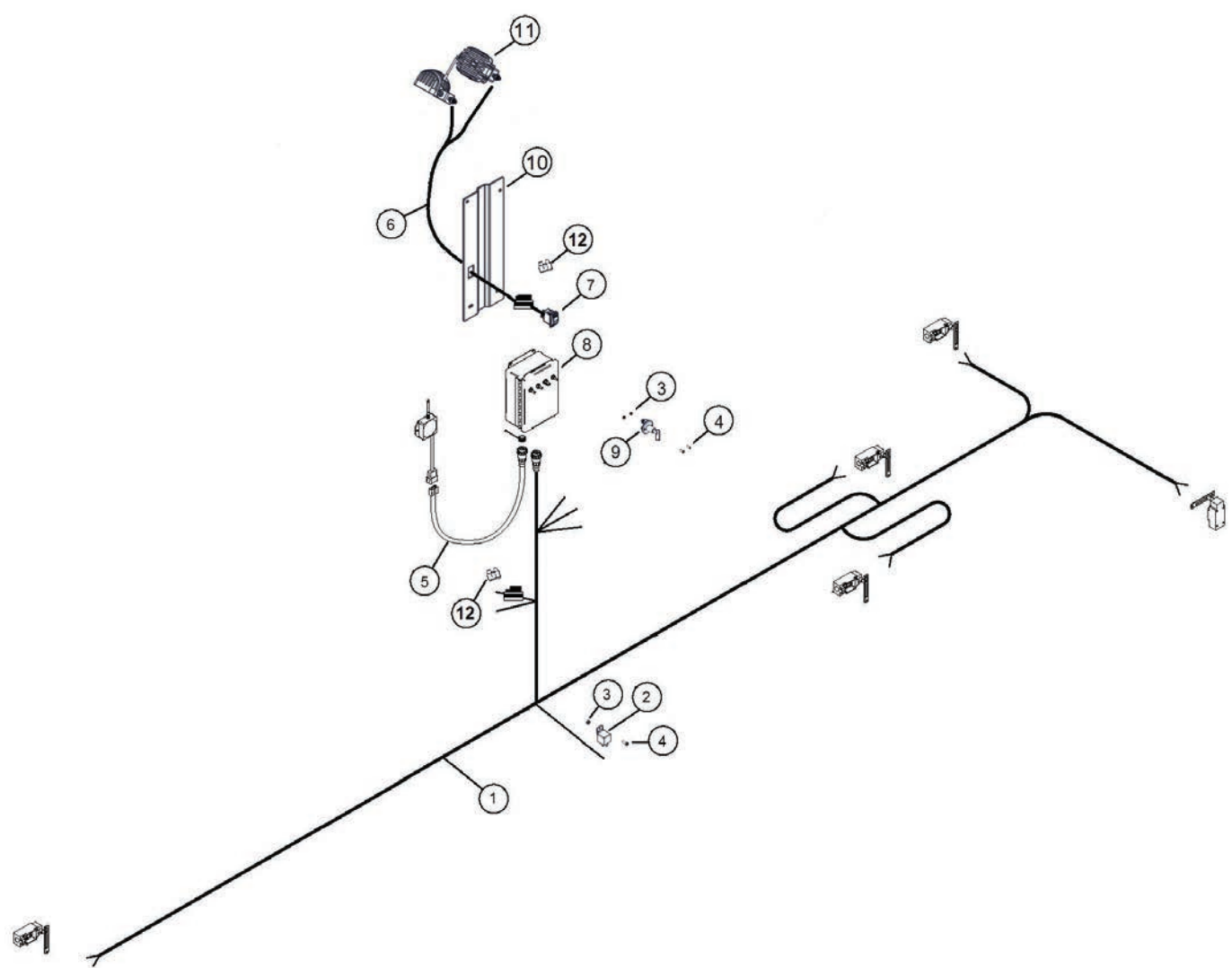




FIGURE 31
ELECTRICAL

REF #	PART #	DESCRIPTION	QTY
1	79454	MAIN HARNESS	1
*	79479	THROTTLE WIRE, MALE	1
*	79480	THROTTLE WIRE, FEMALE	1
2	77591	RELAY	1
3	YNNY64005	NUT HEX, 10-24 G2	3
4	YSPN64005	SCREW PAN HEAD, #10-24 X 5/8	4
5	79473	REMOTE STEERING HARNESS	1
6	79484	LIGHT HARNESS	1
7	LW151	LIGHT SWITCH	1
8	78617	CONTROL MODULE	1
9	77587	ELEC, BATT SWITCH, 100A	1
10	LW149	LIGHT MOUNT BRACKET	1
11	70620	LIGHT LED	2
12	EFAT030	ELEC, FUSE, ATO, 30 AMP	2
*	77589	SPARE KEY	1





H&S MFG. CO.
products approved
for the
FEMA
SEAL OF QUALITY



Manufactured by:
H&S MANUFACTURING CO., INC.
2608 S. HUME AVE. MARSHFIELD, WI 54449
(715) 387-3414 | hsmfgco.com

