



PARTS BOOK

PS6138

MANURE SPREADER

Part #97105

Rev. #01

HSMFG101823

Starting Ser. #421PS38008



TABLE OF CONTENTS

FIGURE #	CONTENTS	PAGE #
*	INSTRUCTIONS FOR ORDERING PARTS	1
1	FRONT POLE & COMPONENTS	2-3
2	DRIVE SHAFT & COMPONENTS	4-5
3	AXLE & COMPONENTS	6
4	HUB & WHEEL ASSEMBLY	7
5	PTO SHIELD & COMPONENTS	8
6	FRONT APRON SHIELD & COMPONENTS	9
7	FLOOR	10
8	STONE GUARD & COMPONENTS	11
9	REAR APRON DRIVESHAFT & CHAIN	12-13
10	ENDGATE & COMPONENTS	14-15
11	BEATERS & COMPONENTS	16-17
12	BEATER PAN & COMPONENTS	18-19
13	HYDRAULICS	20-21
14	GREASE LINES	22
15	HYDRAULIC MOTOR & COMPONENTS	23
16	PTO & COMPONENTS	24-25
17	GEARBOX ASSEMBLY, BEATER	26-27
18	GEARBOX ASSEMBLY, APRON	28-29
19	LIGHTS OPTIONAL	30
20	OPTIONAL PSOVSEC - ELECTRIC ADJUST HYDRAULIC VARIABLE SPEED APRON CONTROL	31
21	OPTIONAL HPO1034CV - 1-3/4 1000 RPM PTO	32-33
22	OPTIONAL HPO1038CV - 1-3/8 1000 RPM PTO	34-35
23	OPTIONAL PSOHALC - HYDRAULIC ACTUATOR LIGHT COVERS	36-37
24	OPTIONAL HPOFASE - SCREEN EXTENSION	38-39
25	OPTIONAL PSOVSC - MANUAL HYD VAR. SPEED CONTROL	40-41
26	OPTIONAL PSO38RVP - MAIN APRON REVERSER VALVE	42-43
27	OPTIONAL PSO38RSSP - RUBBER SPRING SUSPENSION	44-45
28	OPTIONAL TIRE AND WHEEL PACKAGES	46
29	OPTIONAL HITCHES	47
*	PARTS NOTES	48



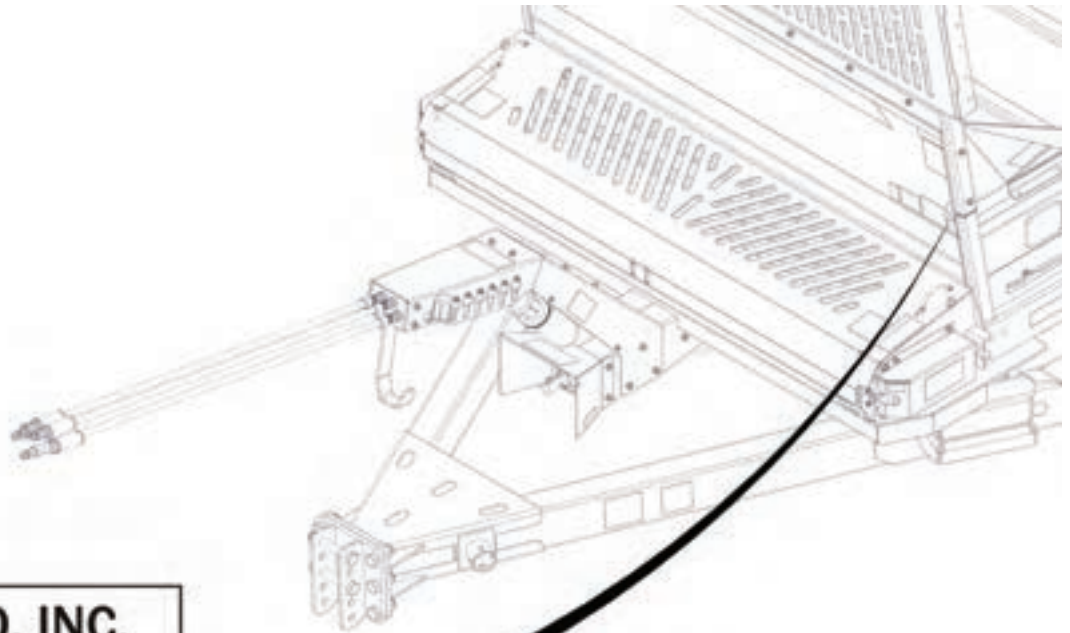
INSTRUCTIONS FOR ORDERING PARTS

All service parts should be ordered through your authorized H&S dealer. Your Dealership will be able to give you faster service if you will provide them with the following:

1. All references to left or right apply to the machine as viewed from the rear.
2. Parts should not be ordered from illustration only. Please order complete part number.
3. If your dealer has to order parts, give shipping instructions:

VIA truck - large pieces (please specify local truck lines)

VIA United Parcel Service (include full address)



H&S MFG. CO. INC. MARSHFIELD, WIS.	
MOD. NO.	<input type="text"/>
SER. NO.	<input type="text"/>
DESCR.	<input type="text"/>

PLEASE RECORD NUMBERS FOR YOUR UNIT
FOR QUICK REFERENCE

H&S IS CONTINUALLY STRIVING TO IMPROVE ITS PRODUCTS

We must, therefore, reserve the right to make improvements or changes whenever it becomes practical to do so, without incurring any obligation to make changes or additions to the equipment previously sold.





FIGURE 1
FRONT POLE & COMPONENTS

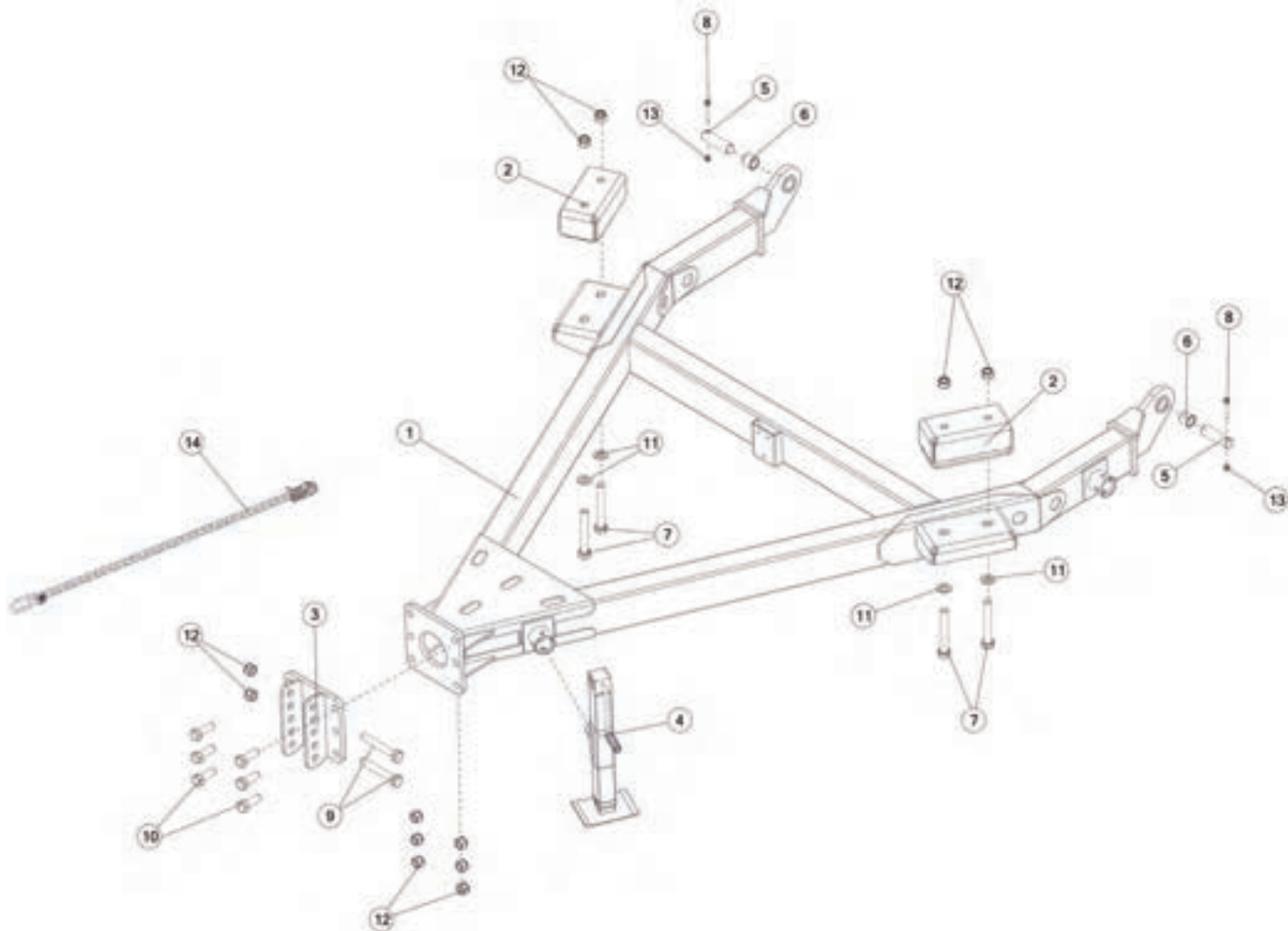




FIGURE 2
DRIVE SHAFT & COMPONENTS

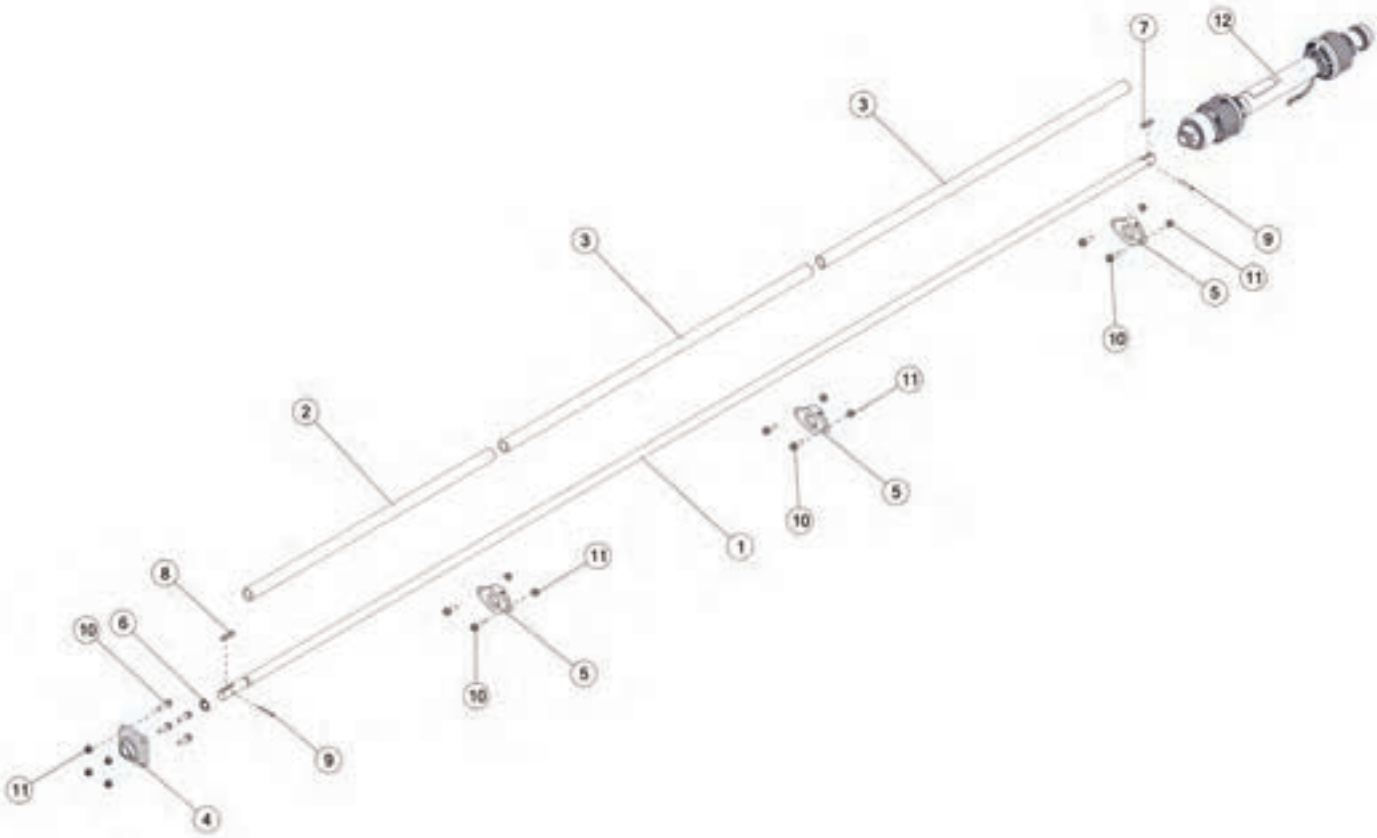




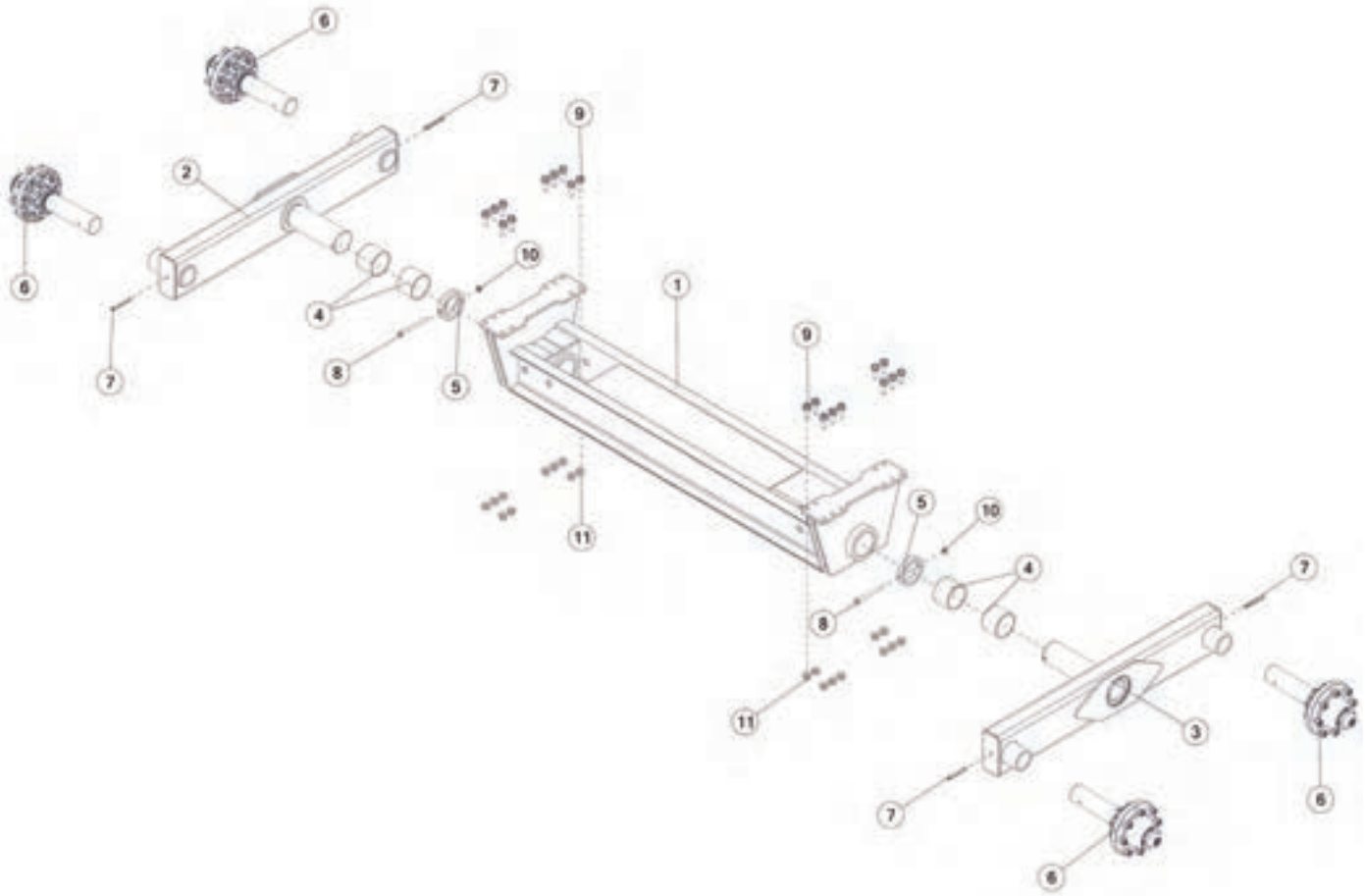
FIGURE 2
DRIVE SHAFT & COMPONENTS

REF #	PART #	DESCRIPTION	QTY
1	93747	INPUT SHAFT	1
2	93891	SHAFT GUARD, FRONT	1
3	93892	SHAFT GUARD, REAR	2
4	12V99	BEARING, FLANGE, 5.13 X 1.5 X 2.02	1
5	42N18	PILLOW BLOCK BEARING, 1-1/2	3
6	12V62	HEAVY DUTY EXTERNAL SNAP RING, 1-1/2	1
7	PB87	SQUARE KEY, 3/8 X 2	1
8	S138	SQUARE KEY, 3/8 X 2-3/8	1
9	YPEX12025	EXPANSION PIN, 3/8 X 2-3/4	2
10	YBFB16175	BOLT FLANGE, 1/2 X 1-3/4 G5	10
11	YNFG16003	NUT FLANGE, 1/2 GF	10
12	87914	COMPLETE PTO, 1-3/4 1000 RPM	1





FIGURE 3 AXLE & COMPONENTS

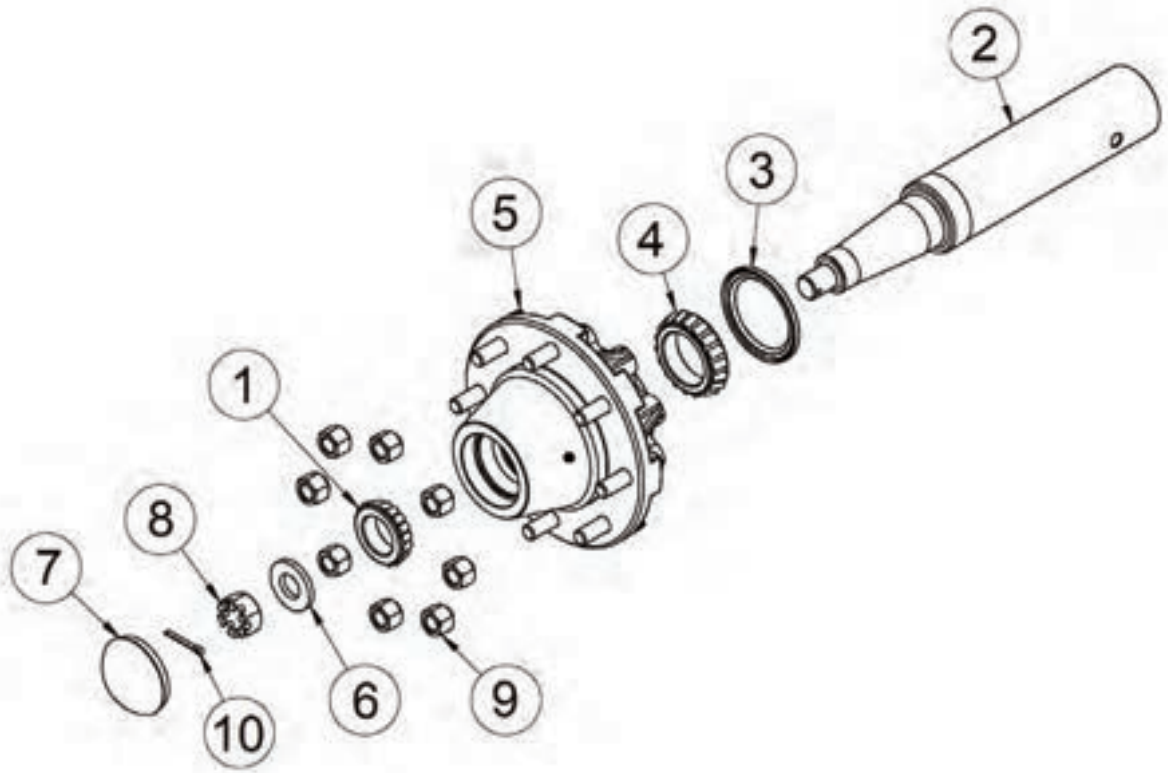


REF #	PART #	DESCRIPTION	QTY
1	81643	AXLE HOUSING	1
2	33SV37	TANDEM BEAM, RH	1
3	33SV36	TANDEM BEAM, LH	1
4	70157	BUSHING, NYLATRON, 4-1/2 OD X 4 ID X 3-1/4	4
5	16SV214	AXLE MOUNT COLLAR	2
6	54476	HUB AND SPINDLE ASSEMBLY	4
7	YPEX16020	EXPANSION PIN, 1/2 X 4	4
8	YBHH16165	BOLT HEX, 1/2 X 6 G5	2
9	YBFB20200	BOLT FLANGE, 5/8 X 2 G5	20
10	YNTL16005	NUT HEX, 1/2-13 LKTL C ZC	2
11	YNFG20005	NUT FLANGE, 5/8-11 LKTL F ZC	20



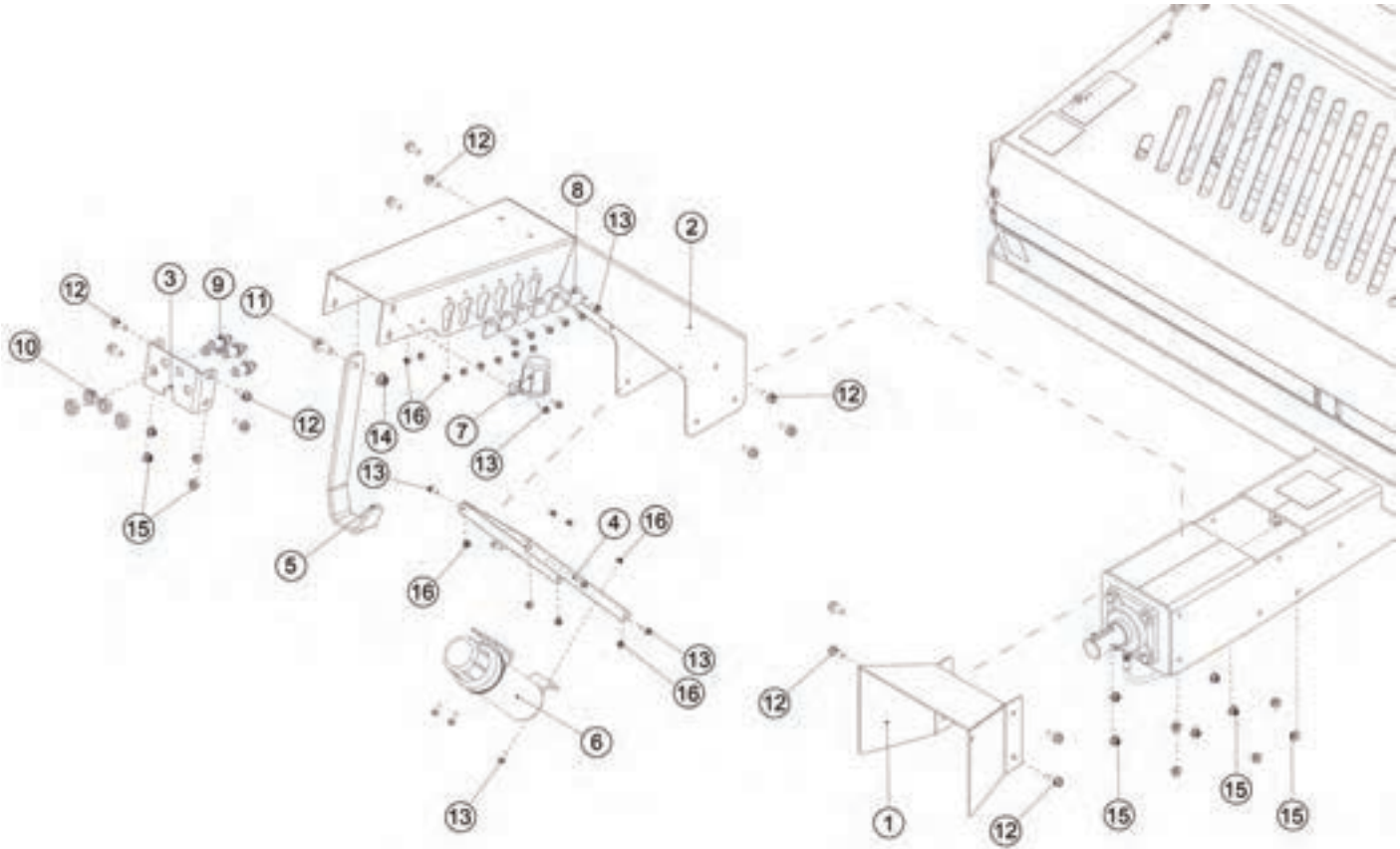


FIGURE 4 HUB & WHEEL ASSEMBLY



REF #	PART #	DESCRIPTION	QTY
1	17G150	INNER BEARING	4
2	33SV40	SPINDLE, 3 X 17-15/16	4
3	33SV42	SEAL	4
4	54597	BEARING CONE	4
5	33SV45	HUB W/RACES & STUDS	4
6	33SV95	WASHER	4
7	RG171	HUB CAP	4
8	YNSL32005	NUT HEX , SLOTTED, 1 G2	4
9	YNWL20005	NUT WHEEL, 5/8 G5	32
10	YPCT06005	COTTER PIN, 3/16 X 1-1/2	4
*	54476	HUB AND SPINDLE ASSEMBLY	4



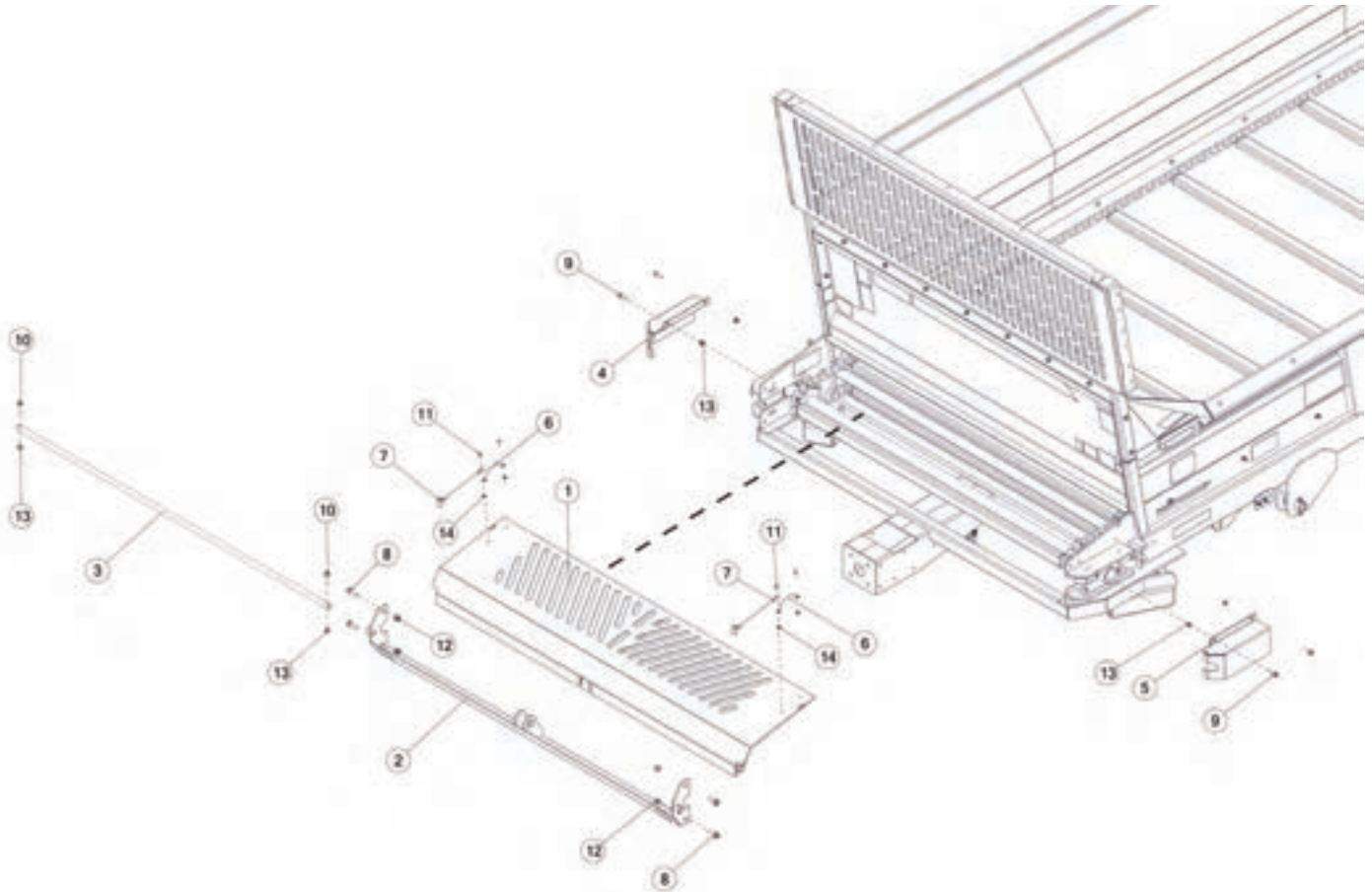


REF #	PART #	DESCRIPTION	QTY
1	92470B	PTO SHIELD W/DECALS	1
2	92759B1	HOSE HOLDER W/DECALS	1
3	92756	BULKHEAD MOUNT	1
4	92766	COVER PLATE	1
5	92761	PTO HOLDER	1
6	S522	MANUAL HOLDER	1
7	CHM38	PLUG STORAGE	1
8	77200	PLATE, 1.75 X 1.5 X 0.19	6
9	59448	FITTING STRAIGHT, 8JIC, 8JIC BULKHEAD	4
10	YNJM24012	NUT JAM, 3/4 A	4
11	YBFB16125	BOLT FLANGE, 1/2 X 1-1/4 G5	1
12	YBFB12003	BOLT FLANGE, 3/8 X 1 G5	14
13	YBFB08075	BOLT FLANGE, 1/4 X 3/4 G5	15
14	YNFG16003	NUT FLANGE, 1/2 GF	1
15	YNFG12006	NUT FLANGE, 3/8 GF	14
16	YNFG08010	NUT FLANGE, 1/4 GF	15



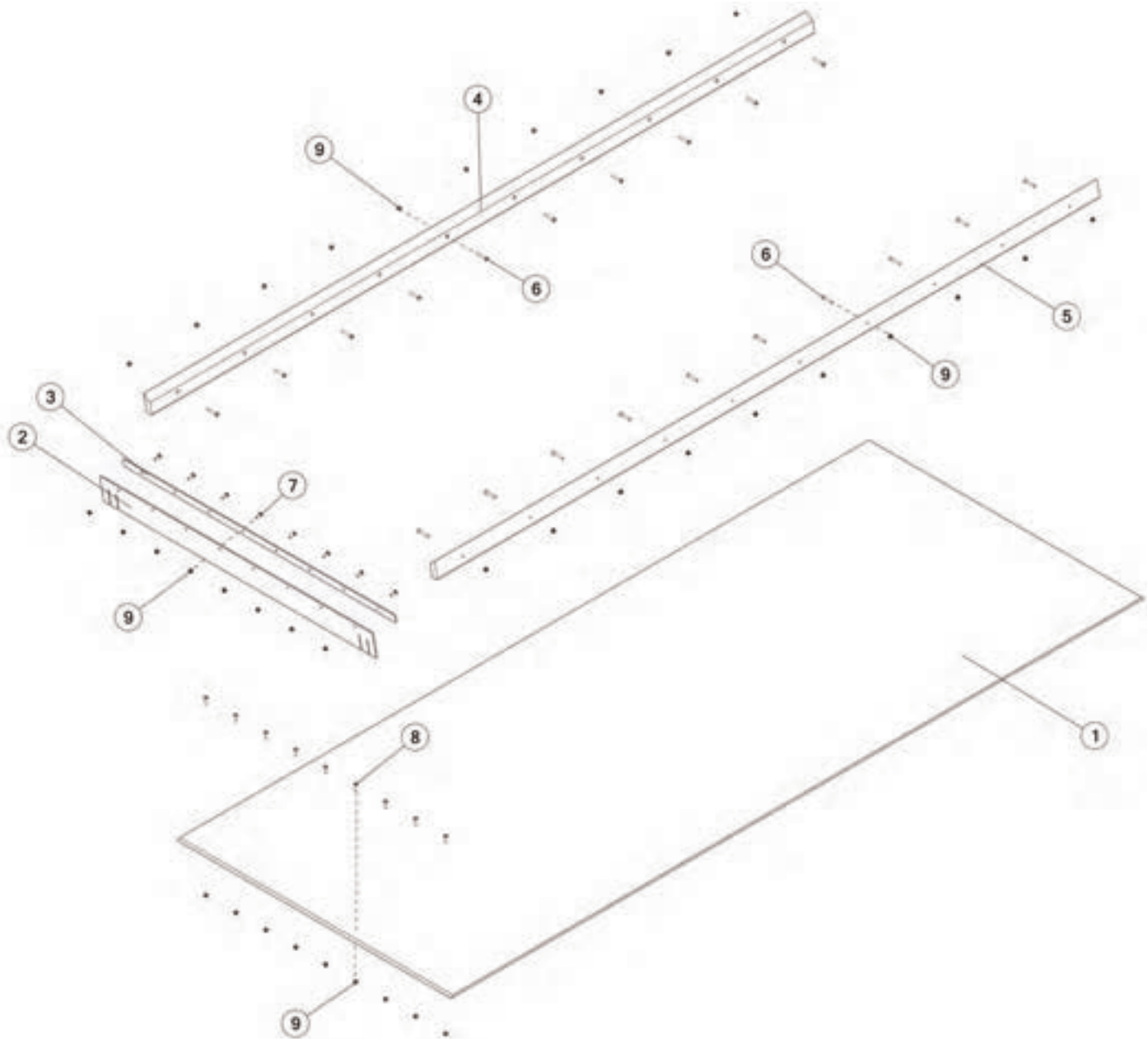


FIGURE 6 FRONT APRON SHIELD & COMPONENTS



REF #	PART #	DESCRIPTION	QTY
1	93856B	APRON SHIELD, FRONT W/DECALS	1
2	94081B	APRON SHIELD PIVOT W/DECALS	1
3	93860	FRONT SHIELD PIVOT	1
4	97218B	IDLER SUPPORT COVER, RH W/DECALS	1
5	97082B	IDLER SUPPORT COVER, LH W/DECALS	1
6	TS96	SHIELD HANDLE	2
7	S122	LANYARD, CLIP PIN CABLE	2
8	YBFB16150	BOLT FLANGE, 1/2 X 1-1/2 G5	4
9	YBFB12125	BOLT FLANGE, 3/8 X 1-1/4 G5	4
10	YBFB12200	BOLT FLANGE, 3/8 X 2 G5	2
11	YBHH08100	BOLT HEX, 1/4-20 X 3/4 G5	4
12	YNFG16003	NUT FLANGE, 1/2 GF	4
13	YNFG12006	NUT FLANGE, 3/8 GF	6
14	YNFG08010	NUT FLANGE, 1/4 GF	4





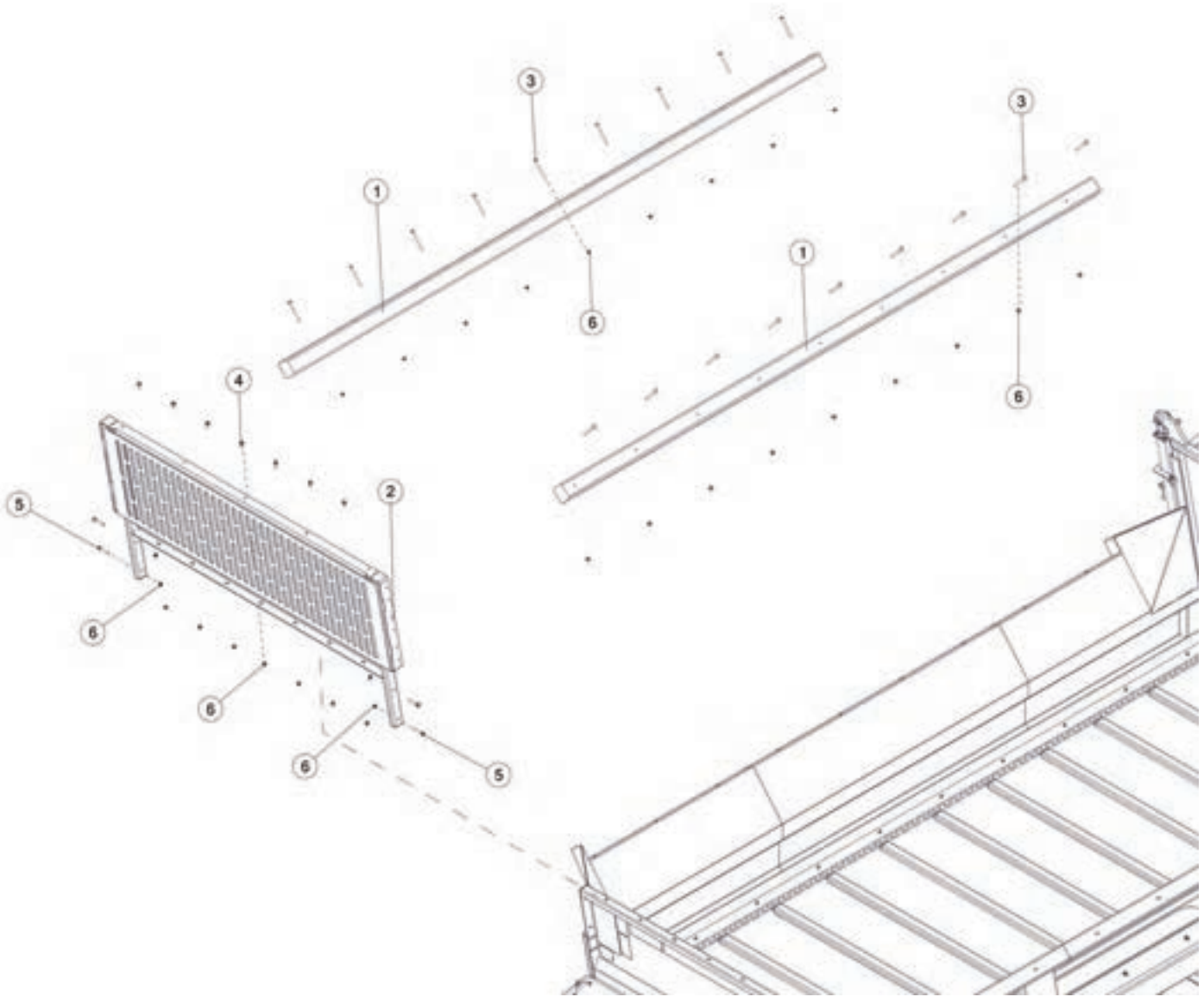
REF #	PART #	DESCRIPTION	QTY
1	81380	POLY FLOOR	1
2	93767	RUBBER SEAL	1
3	93768	RUBBER HOLDDOWN PLATE	1
4	93730	APRON GUIDE, RH	1
5	93729	APRON GUIDE, LH	1
6	YSFS12250	BOLT FLAT, SOK, 3/8-16 X 2-1/2 ZC	20
7	YBCR12020	BOLT CARRIAGE, 3/8-16 X 1-1/4 G5 ZC	8
8	YSFS12016	BOLT FLAT, SOK, 3/8-16 X 1-1/2 ZC	9
9	YNFG12006	NUT FLANGE, 3/8 GF	37





FIGURE 8

STONE GUARD & COMPONENTS



REF #	PART #	DESCRIPTION	QTY
1	93861	POLY TOP RAIL	2
2	93837	STONE GUARD	1
3	YBCR12105	BOLT CARRIAGE, FT, 3/8-16 X 4-1/2 G5 ZC	18
4	YBFB12003	BOLT FLANGE, 3/8 X 1 G5	7
5	YBFB12250	BOLT FLANGE, 3/8 X 2-1/2 G5	4
6	YNFG12006	NUT FLANGE, 3/8 GF	2



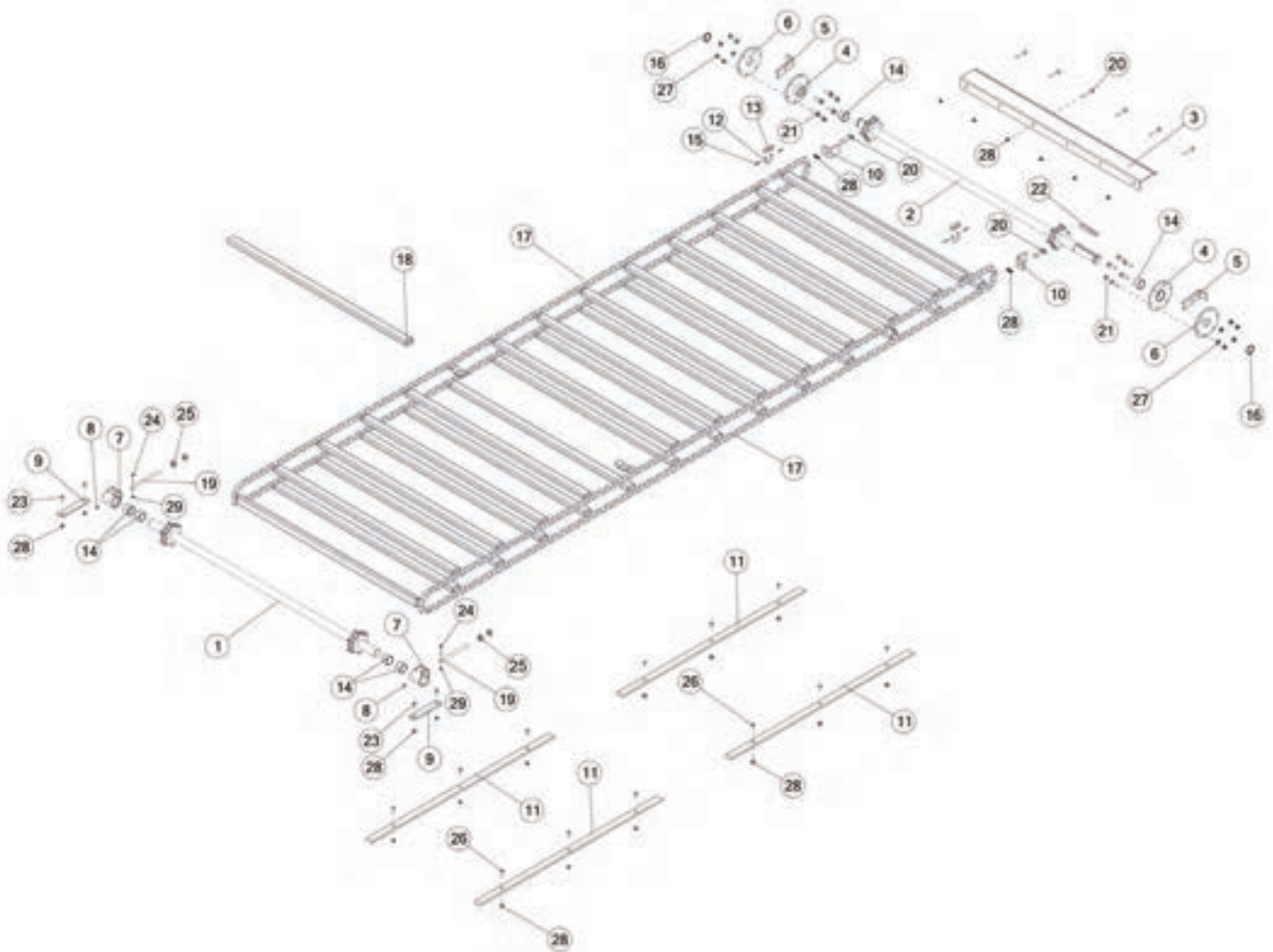




FIGURE 9

REAR APRON DRIVESHAFT & CHAIN

REF #	PART #	DESCRIPTION	QTY
1	93759	APRON IDLER	1
2	93749	APRON DRIVESHAFT	1
3	96535	DRIVESHAFT COVER	1
4	93751	DRIVESHAFT HOLDER	2
5	97017	FILLER PLATE	2
6	93750	MOUNTING FLANGE	2
7	93761	IDLER SHAFT HOLDER	2
8	BFR28	GREASE ZERK, 1/8 NPT	2
9	93757	GUIDE PLATE	4
10	96536	SPROCKET CLEANER	2
11	93826	APRON SLIDE	4
12	97570	CONNECTOR ROD	2
13	97572	CONNECTOR PLATE	2
14	50N8	BUSHING, BRONZE 2.5 OD X 2.265 ID X 1.5	6
15	YPCT06010	COTTER PIN, 3/16 X 1-1/4	4
16	84614	STANDARD EXTERNAL SNAP RING, 2-1/4	2
17	97514	APRON CHAIN, 5/8, #80, 219P	2
18	97542	APRON SLAT	22
19	93765	TENSIONER ROD	2
20	YBFB12300	BOLT FLANGE, 3/8 X 3 G5	10
21	YBFB16200	BOLT FLANGE, 1/2 X 2 G5	12
22	90715	SQUARE KEY, 16MM X 5-15/16	1
23	YSFS12016	BOLT FLAT, SOK, 3/8-16 X 1-1/2 ZC	8
24	YBFB08200	BOLT FLANGE, 1/4 X 2 G5	2
25	YNAC24006	NUT HEX, 3/4-6	4
26	YSFS12005	BOLT FLAT, SOK, 3/8-16 X 1-1/4 BO	12
27	YNFG16003	NUT FLANGE, 1/2 GF	12
28	YNFG12006	NUT FLANGE, 3/8 GF	26
29	YNFG08010	NUT FLANGE, 1/4 GF	2





FIGURE 10

ENDGATE & COMPONENTS

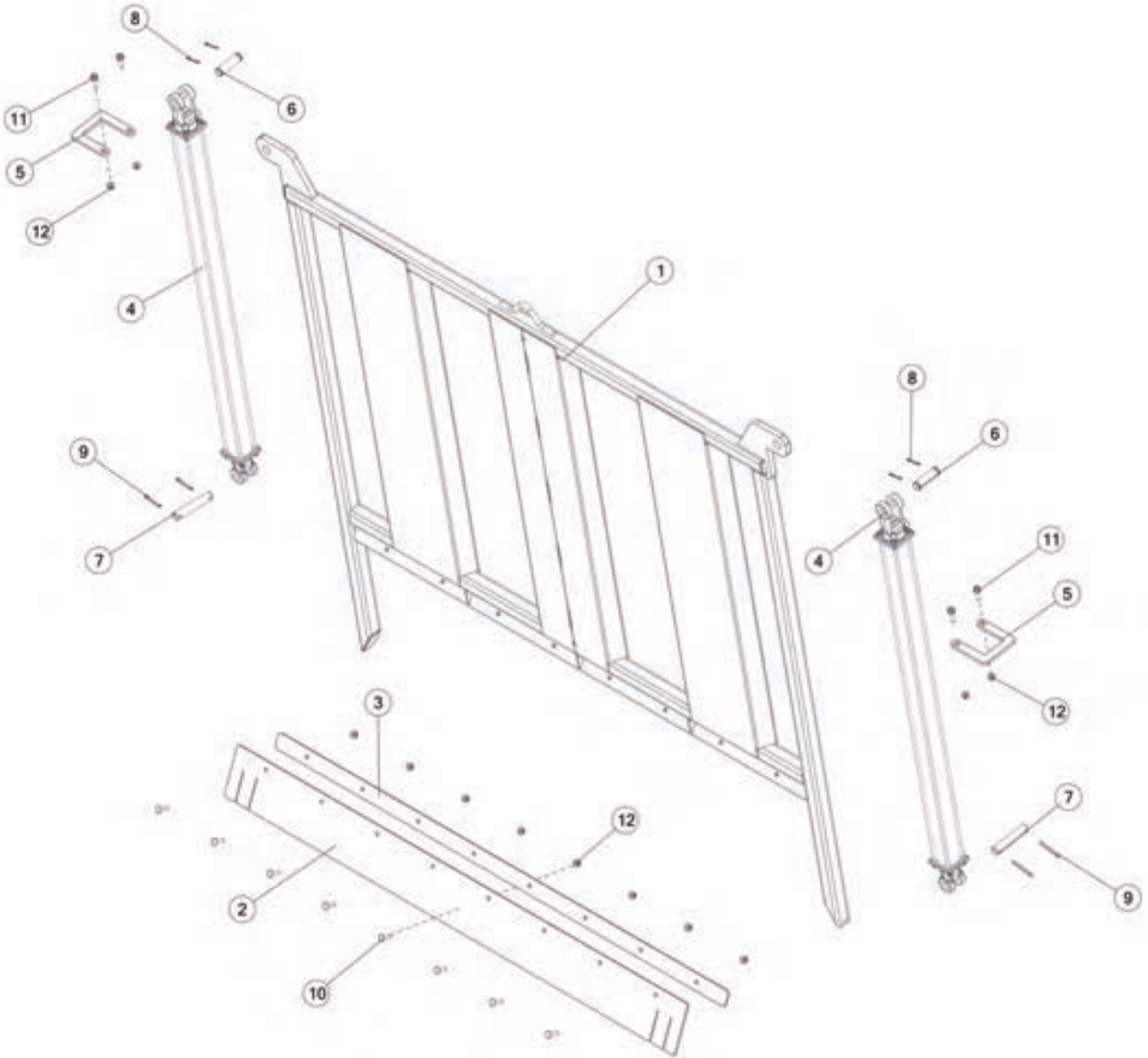




FIGURE 10

ENDGATE & COMPONENTS

REF #	PART #	DESCRIPTION	QTY
1	93878	ENDGATE	1
2	93767	RUBBER SEAL	1
3	93768	RUBBER HOLDDOWN PLATE	1
4	58684	HYDRAULIC CYLINDER, 2-1/2 X 48	2
*	58687	SEAL KIT	2
5	84845	CYLINDER CATCH	2
6	T143	HYDRAULIC CYLINDER PIN	2
7	91174	CYLINDER PIN, 5	2
8	YPCT06005	COTTER PIN, 3/16 X 1-1/2	4
9	YPCT08010	COTTER PIN, 1/4 X 2-1/2	4
10	YBCR12015	BOLT CARRIAGE, 3/8-16 X 1-1/2 G5 ZC	8
11	YBFB12150	BOLT FLANGE, 3/8 X 1-1/2 G5	4
12	YNFG12006	NUT FLANGE, 3/8 GF	12





FIGURE 11 BEATERS & COMPONENTS

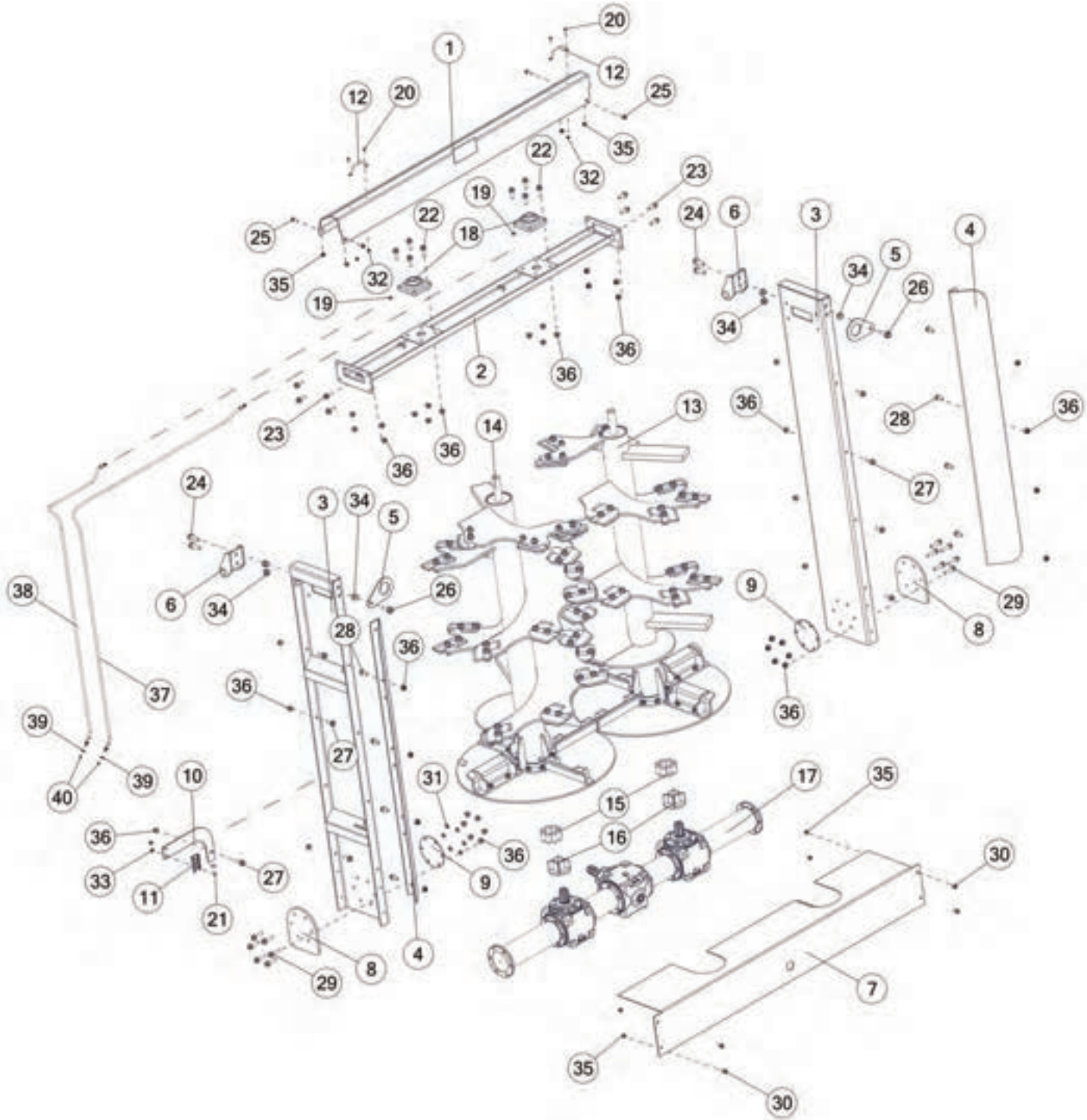




FIGURE 11

BEATERS & COMPONENTS

REF #	PART #	DESCRIPTION	QTY
1	87579B	BEARING SHIELD W/ DECALS	1
2	87578B	UPPER BEARING MOUNT W/ DECALS	1
3	93693B	BEATER PANEL W/DECALS	2
4	85230	BEATER DEFLECTOR	2
5	HGV50	LIFTING EYE	2
6	87761	BEATER HANGER	2
7	94245B	GEARBOX COVER W/DECALS	1
8	96799	BEATER SUPPORT LEG	2
9	87572	GEARBOX SHIM	2
10	92783	SMV BRACKET	1
11	F97	SMV HOLDER	1
12	TS96	SHIELD HANDLE	2
13	93702	VERTICAL BEATER ASSEMBLY, RH	1
14	93700	VERTICAL BEATER ASSEMBLY, LH	1
15	87886	POLY ROD	16
16	87559	GEARBOX SPLINE COUPLER	2
17	89999	VERTICAL BEATER GEARBOX ASSEMBLY	1
18	12V99	BEARING, FLANGE, 5.13 X 1.50 X 2.02	2
19	TS323	FITTING STRAIGHT, 1/4-28, 1/8-27 NPT	2
20	YBHH08100	BOLT HEX, 1/4-20 X 3/4 G5	4
21	YBCR10030	BOLT CARRIAGE, 5/16-18 X 3/4 G5 ZC	2
22	YBFB16175	BOLT FLANGE, 1/2 X 1-3/4 G5	8
23	YBFB16150	BOLT FLANGE, 1/2 X 1-1/2 G5	8
24	YBFB20200	BOLT FLANGE, 5/8 X 2 G5	4
25	YBFB12125	BOLT FLANGE, 3/8 X 1-1/4 G5	4
26	YBFB20175	BOLT FLANGE, 5/8 X 1-3/4 G5	2
27	YBFB16150	BOLT FLANGE, 1/2 X 1-1/2 G5	8
28	YBFB16125	BOLT FLANGE, 1/2 X 1-1/4 G5	8
29	YBFB16225	BOLT FLANGE, 1/2 X 2-1/4 G5	12
30	YBFB12003	BOLT FLANGE, 3/8 X 1 G5	4
31	YWLO16005	WASHER, LOCK, 1/2	6
32	YNFG08010	NUT FLANGE, 1/4 GF	4
33	YNFG10005	NUT FLANGE, 5/16 GF	2
34	YNFG20005	NUT FLANGE, 5/8-11 LKTL F ZC	6
35	YNFG12006	NUT FLANGE, 3/8 GF	8
36	YNFG16003	NUT FLANGE, 1/2 GF	36
37	88907	GREASE HOSE, 3, 110	1
38	89723	GREASE HOSE, 3, 77	1
39	YNJM04005	NUT JAM, 1/8 A	2
40	G89	STRAIGHT ZERK, 1/4-28	2





FIGURE 12 BEATER PAN & COMPONENTS

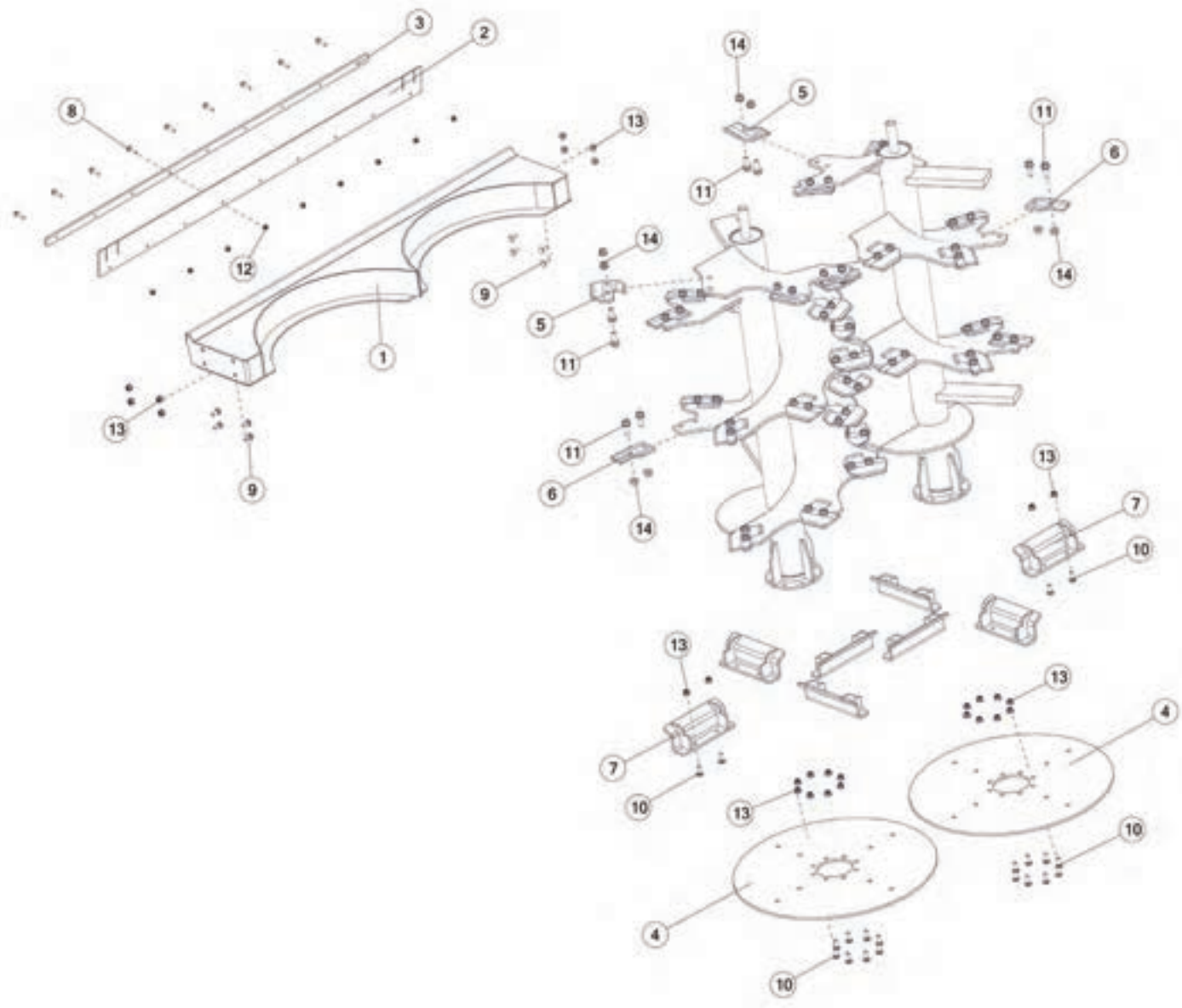




FIGURE 13
HYDRAULICS

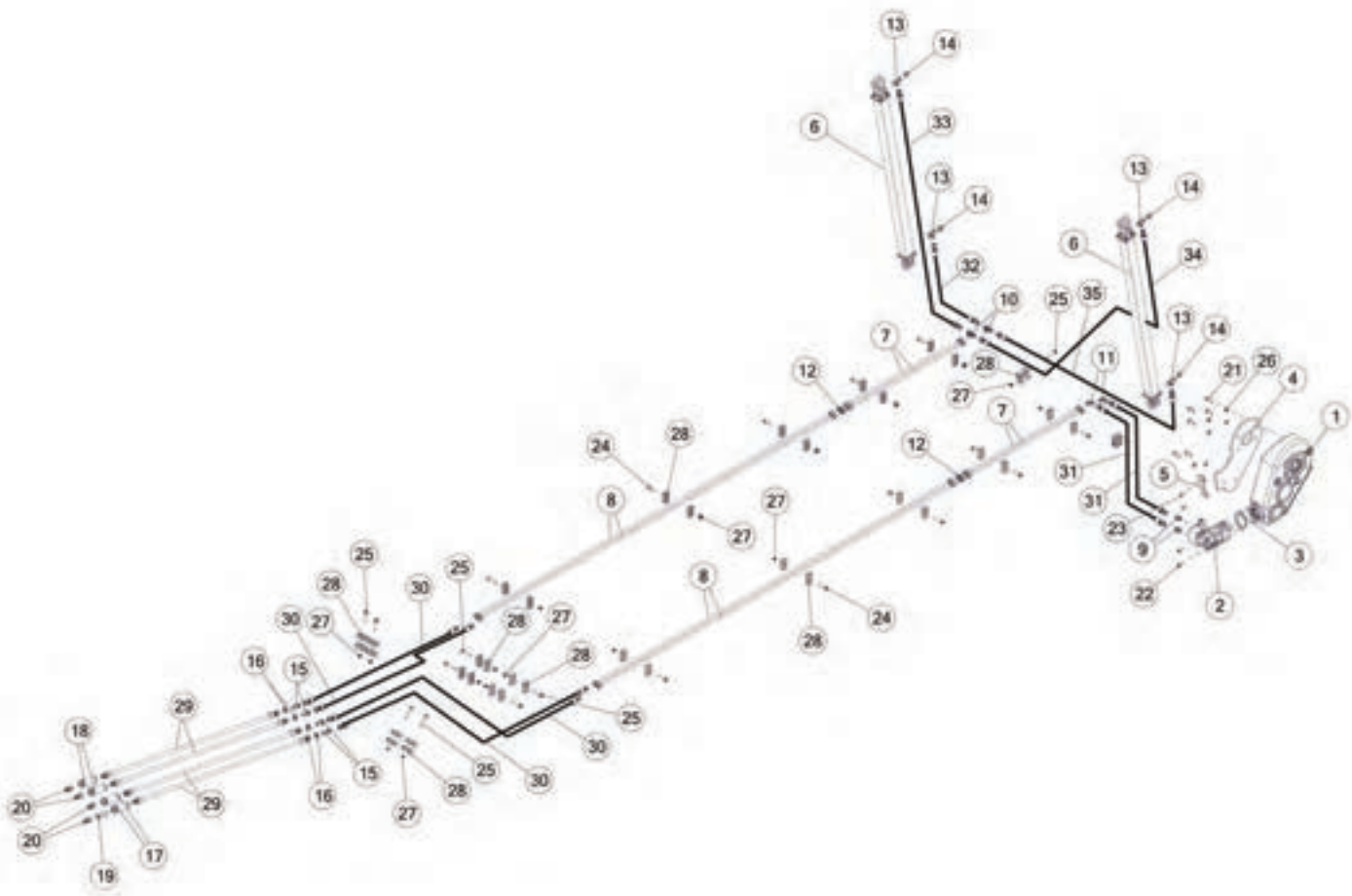


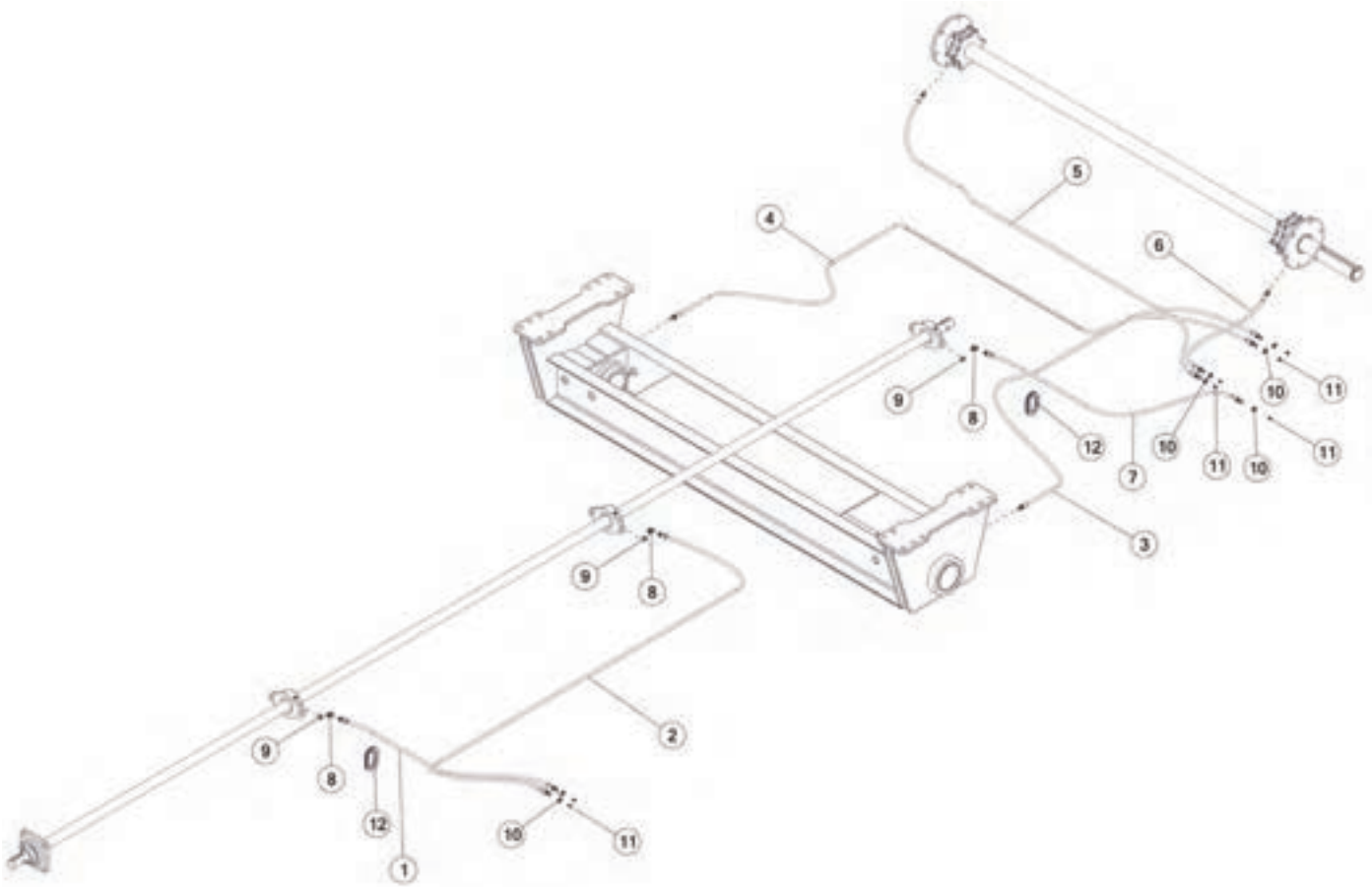


FIGURE 13

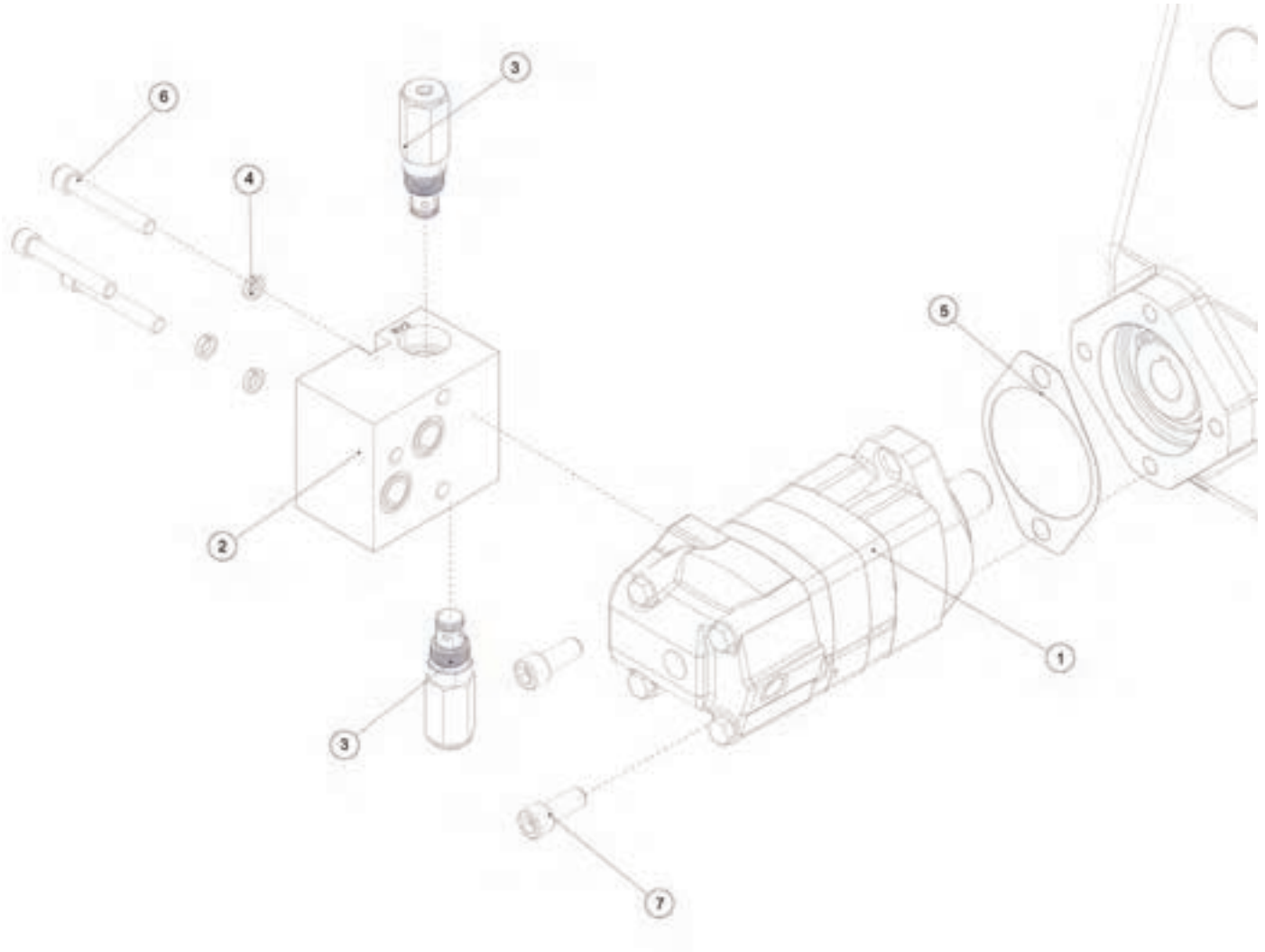
HYDRAULICS

REF #	PART #	DESCRIPTION	QTY
1	82387B	GEARBOX ASSEMBLY, APRON W/DECALS	1
2	95168	HYDRAULIC MOTOR	1
3	94375	GASKET, HYDRAULIC MOTOR	1
4	93893	GEARBOX PLATE	1
5	92689	GEARBOX STOP PLATE	1
6	58684	HYDRAULIC CYLINDER, 2-1/2 X 48	2
7	96839	HYDRAULIC TUBE, 1/2 X 38	4
8	89070	HYDRAULIC TUBE, 1/2 X 120	4
9	GM27	FITTING STRAIGHT, 8JIC, 10ORB, STL	2
10	81311	FITTING T, 8JIC, 8JIC, 8JIC, STL	2
11	1142	UNION ELBOW, 90 8 ETX-S	2
12	GM17	ADAPTER, 8 HTX-S	4
13	77465	FITTING T, 8JIC, 8ORB, 8JIC, STL	4
14	58163	FITTING CAP, 8JIC	4
15	59448	FITTING STRAIGHT, 8JIC, 8JIC, BULKHEAD	4
16	YNJM24012	NUT JAM, 3/4 A	4
17	94023	HOSE GRIPS, RED	1
18	94024	HOSE GRIPS, BLACK	1
19	92767	HYDRAULIC VALVE, CHECK	1
20	67148	FITTING STRAIGHT, 8ORB, QUICK COUPLER TIP	4
21	YBHH80020	BOLT HEX, M14-2 X 35, 8.8 ZC	6
22	YSHM78030	BOLT SOCKET, M12-1.75X30 8.8 BO	2
23	YBHH12010	BOLT HEX, 3/8 X 1 G5	2
24	YBFB12250	BOLT FLANGE, 3/8 X 2-1/2	10
25	YBFB12275	BOLT FLANGE, 3/8 X 2-3/4 G5	9
26	YWLO80020	WASHER, LOCK, M14	6
27	YNFG12006	NUT FLANGE, 3/8 GF	21
28	86567	DOUBLE CLAMP, UNIVERSAL	38
29	93943	HYDRAULIC HOSE, 8, 60	4
30	93948	HYDRAULIC HOSE, 8, 104	4
31	89654	HYDRAULIC HOSE, 8, 21	2
32	93911	HYDRAULIC HOSE, 8, 40	1
33	93909	HYDRAULIC HOSE, 8, 87	1
34	93914	HYDRAULIC HOSE, 8, 126	1
35	97057	HYDRAULIC HOSE, 8, 80	1





REF #	PART #	DESCRIPTION	QTY
1	93820	GREASE HOSE, 3, 40	1
2	92711	GREASE HOSE, 3, 106	1
3	89723	GREASE HOSE, 3, 78	1
4	93802	GREASE HOSE, 3, 118	1
5	93907	GREASE HOSE, 3, 85	1
6	93905	GREASE HOSE, 3, 25	1
7	93822	GREASE HOSE, 3, 48	1
8	93819	FITTING 45, 1/8NPT, 1/8NPT	3
9	TS323	FITTING STRAIGHT, 1/4-28, 1/8-27NPT	3
10	YNJM04005	NUT JAM, 1/8 A	7
11	G89	STRAIGHT ZERK, 1/4-28	7
12	96892	EDGE TRIM, 1/4 X 7-3/4	2



REF #	PART #	DESCRIPTION	QTY
1	95164	HYDRAULIC MOTOR	1
2	95165	RELIEF BLOCK	1
3	95169	RELIEF VALVE	2
4	YWHC12005	WASHER LOCK, HI COLLAR, 3/8 ZC	3
5	94375	GASKET, HYDRAULIC MOTOR	1
6	YSHS12014	BOLT SOCKET, 3/8-16 X 2-1/2 BO	3
7	YSHM78030	BOLT SOCKET, M12-1.75 X 30 8.8 BO	2





FIGURE 16
1000 RPM PTO & COMPONENTS

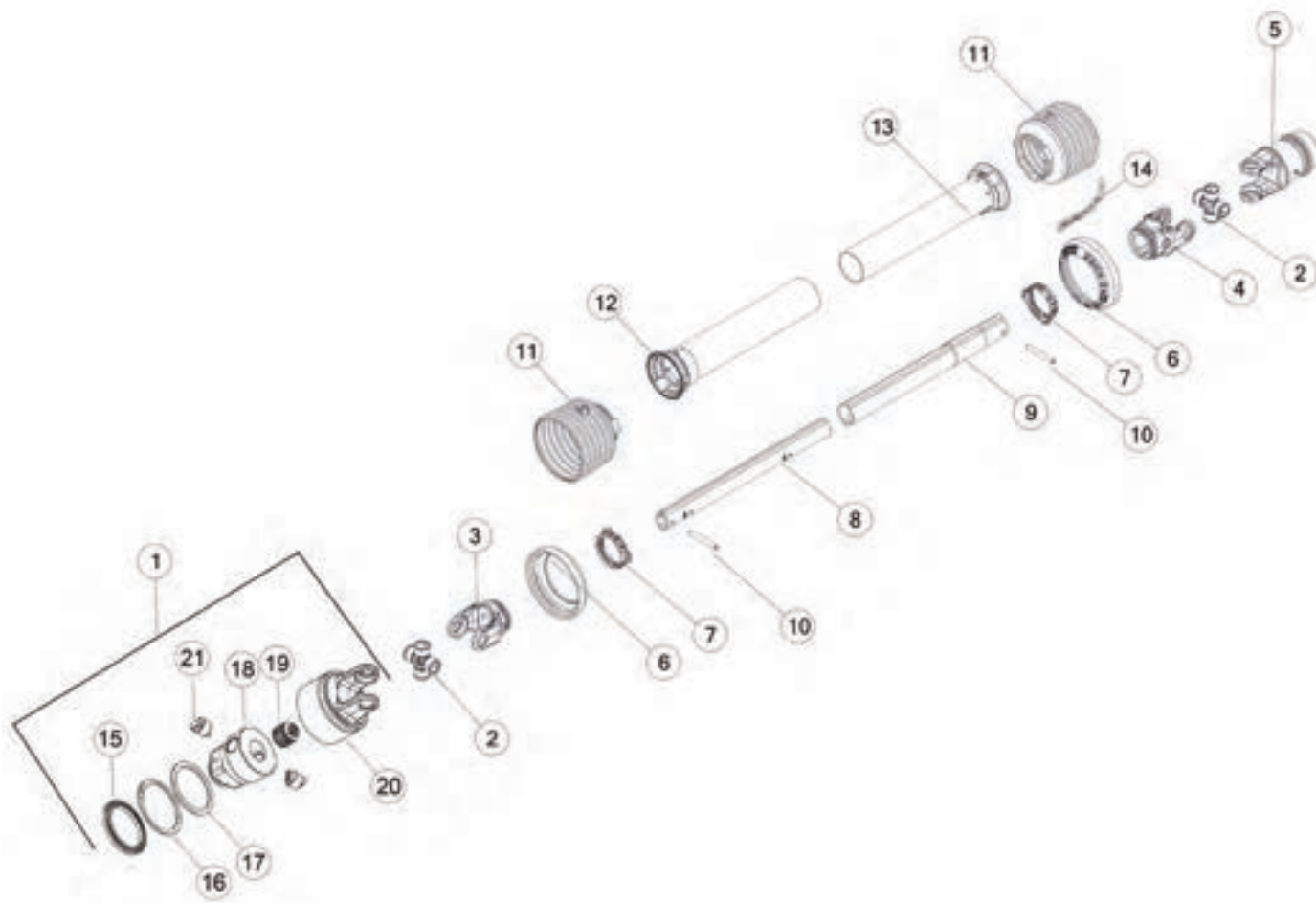




FIGURE 17
GEARBOX ASSEMBLY, BEATER
89999

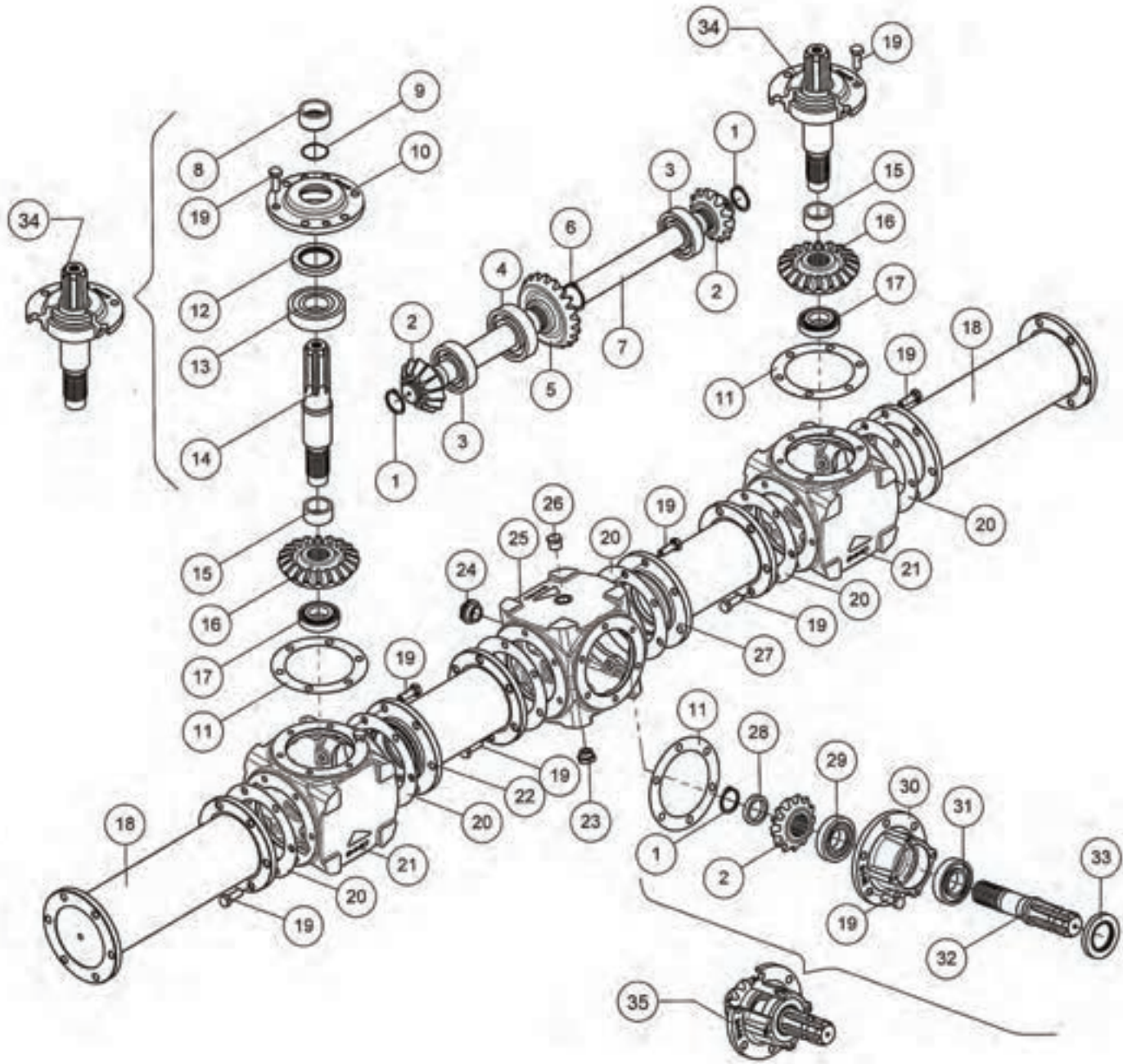




FIGURE 17

GEARBOX ASSEMBLY, BEATER

89999

REF #	PART #	DESCRIPTION	QTY
1	89837	SNAP RING	3
2	89838	GEAR	3
3	89839	BEARING	2
4	89840	BEARING	1
5	89841	GEAR	1
6	89842	SNAP RING	1
7	89843	SHAFT	1
8	89844	SPACER	2
9	89845	O-RING	2
10	89846	FLANGE	2
11	89847	GASKET	3
12	89848	SEAL	2
13	89849	BEARING	2
14	89850	SHAFT	2
15	89851	SPACER	2
16	89852	GEAR	2
17	89853	BEARING	2
18	89854	SPACER	2
19	89855	BOLT HEX, M12 X 35	54
20	89856	GASKET	6
21	89857	HOUSING	2
22	89858	HOUSING SPACER, RH	1
23	89859	OIL PLUG	1
24	89860	SIGHT GLASS	1
25	89861	CENTRAL HOUSING	1
26	89862	BREATHER PLUG	1
27	89863	HOUSING SPACER, LH	1
28	89864	SPACER	1
29	89865	BEARING	1
30	89866	HUB	1
31	89867	BEARING	1
32	89868	SHAFT	1
33	89869	SEAL	1
34	89870	OUTPUT HUB ASSEMBLY	2
35	89871	INPUT HUB ASSEMBLY	1
*	89999	VERTICAL BEATER GEARBOX ASSEMBLY	1



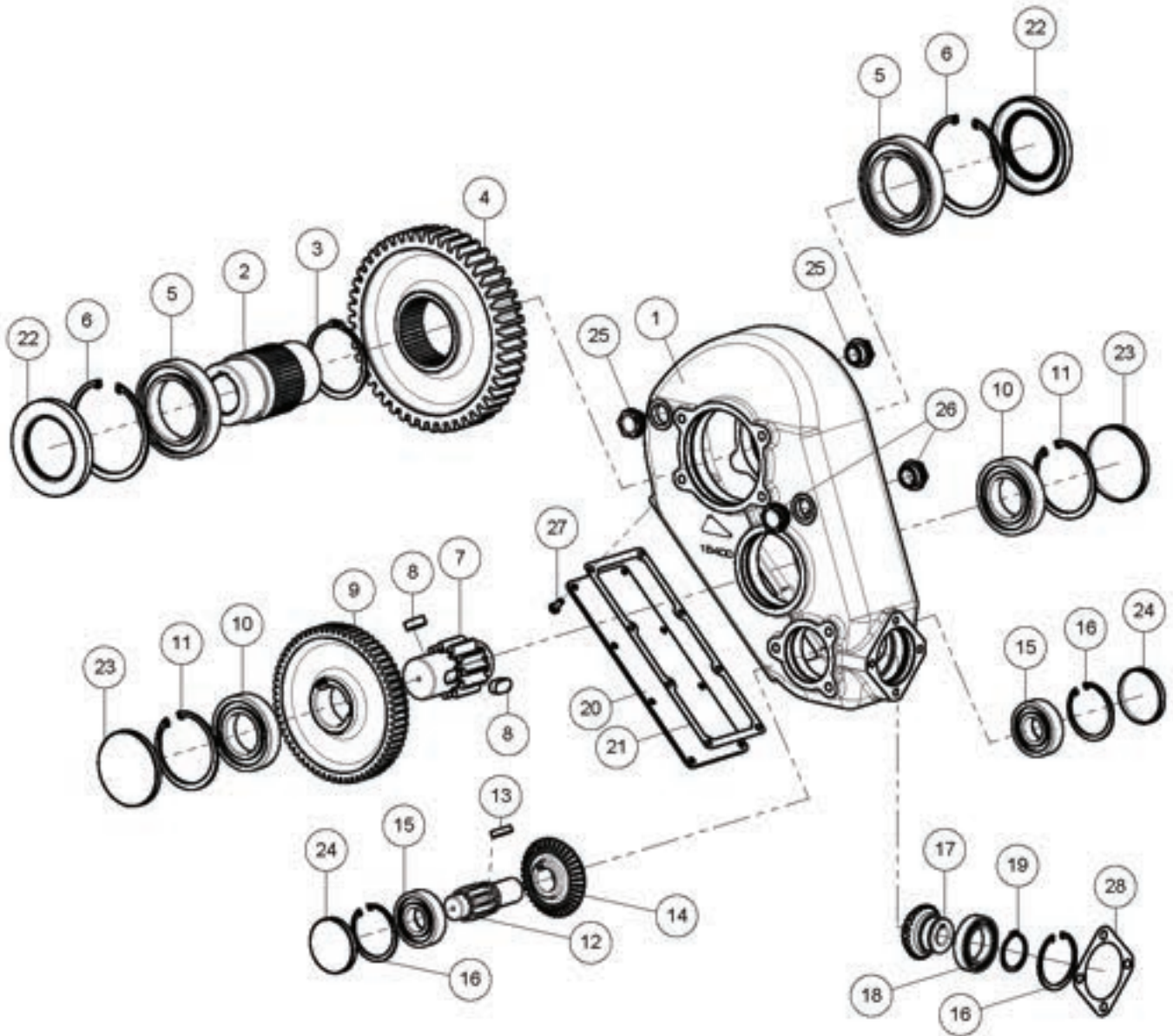


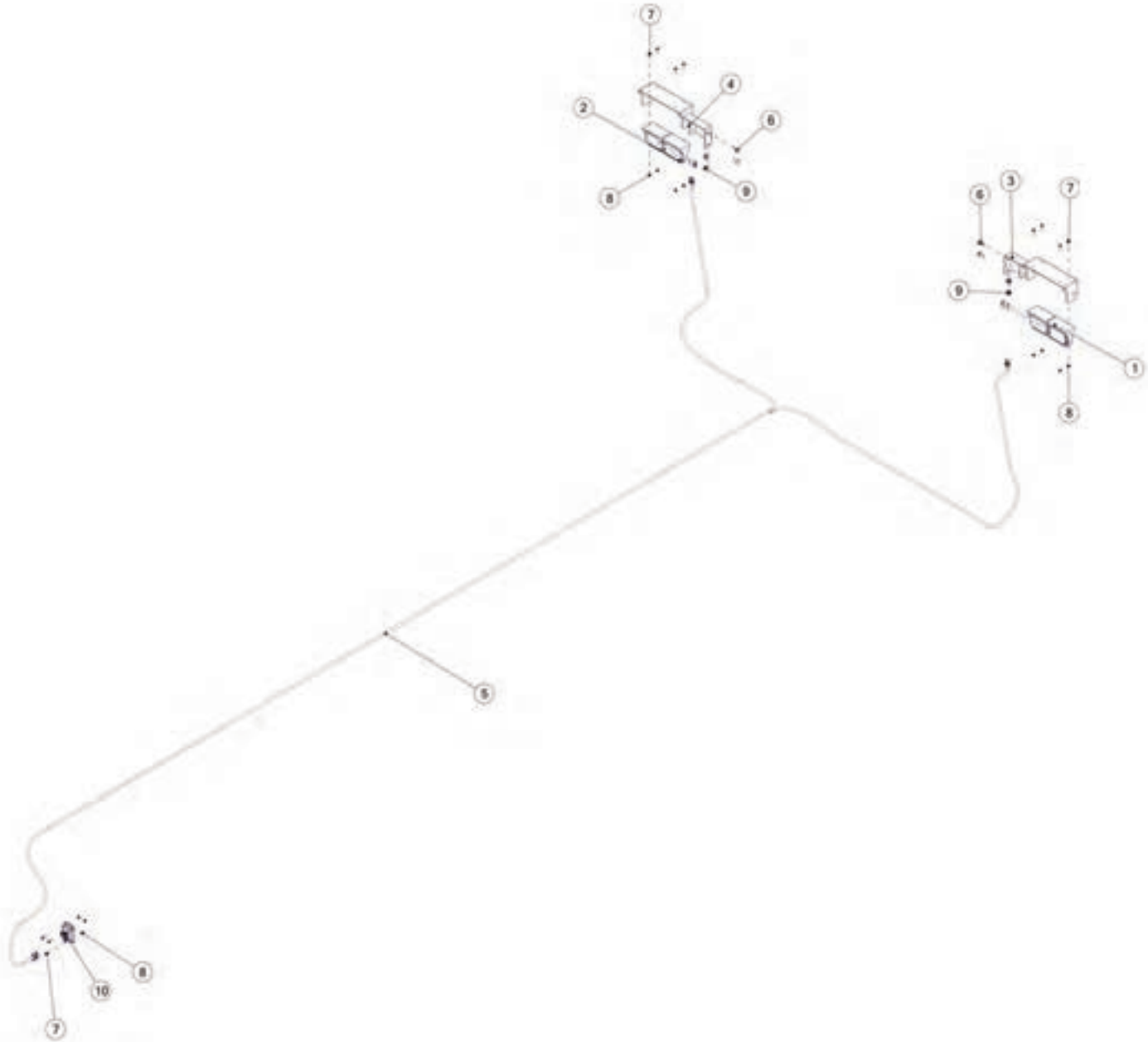


FIGURE 18

GEARBOX ASSEMBLY, APRON

REF #	PART #	DESCRIPTION	QTY
1	96566	GEARBOX HOUSING	1
2	96567	SLEEVE, SHAFT	1
3	96568	SNAP RING	1
4	96569	GEAR, CROWN	1
5	96570	BEARING	2
6	96571	SNAP RING	2
7	96572	GEAR, PINION	1
8	96573	SQ W/ROUND ENDS KEY, 18MM X 11MM	2
9	96574	GEAR, CROWN	1
10	96575	BEARING	2
11	96576	SNAP RING	2
12	96577	GEAR, SPUR	1
13	96578	SQ W/ROUND ENDS KEY, 10MM X 8MM	1
14	96579	GEAR, CROWN	1
15	96580	BEARING	2
16	86974	SNAP RING	3
17	96581	GEAR, PINION	1
18	86982	BALL BEARING	1
19	86983	SNAP RING	1
20	96582	COVER PLATE	1
21	96583	GASKET	1
22	96584	SEAL	2
23	96585	CAP	2
24	86987	PLUG	2
25	86984	BREATHER	2
26	86985	OIL LEVEL PLUG	2
27	86991	BOLT	8
28	96586	GASKET	1
*	82387B	GEARBOX ASSEMBLY, APRON W/DECALS	1



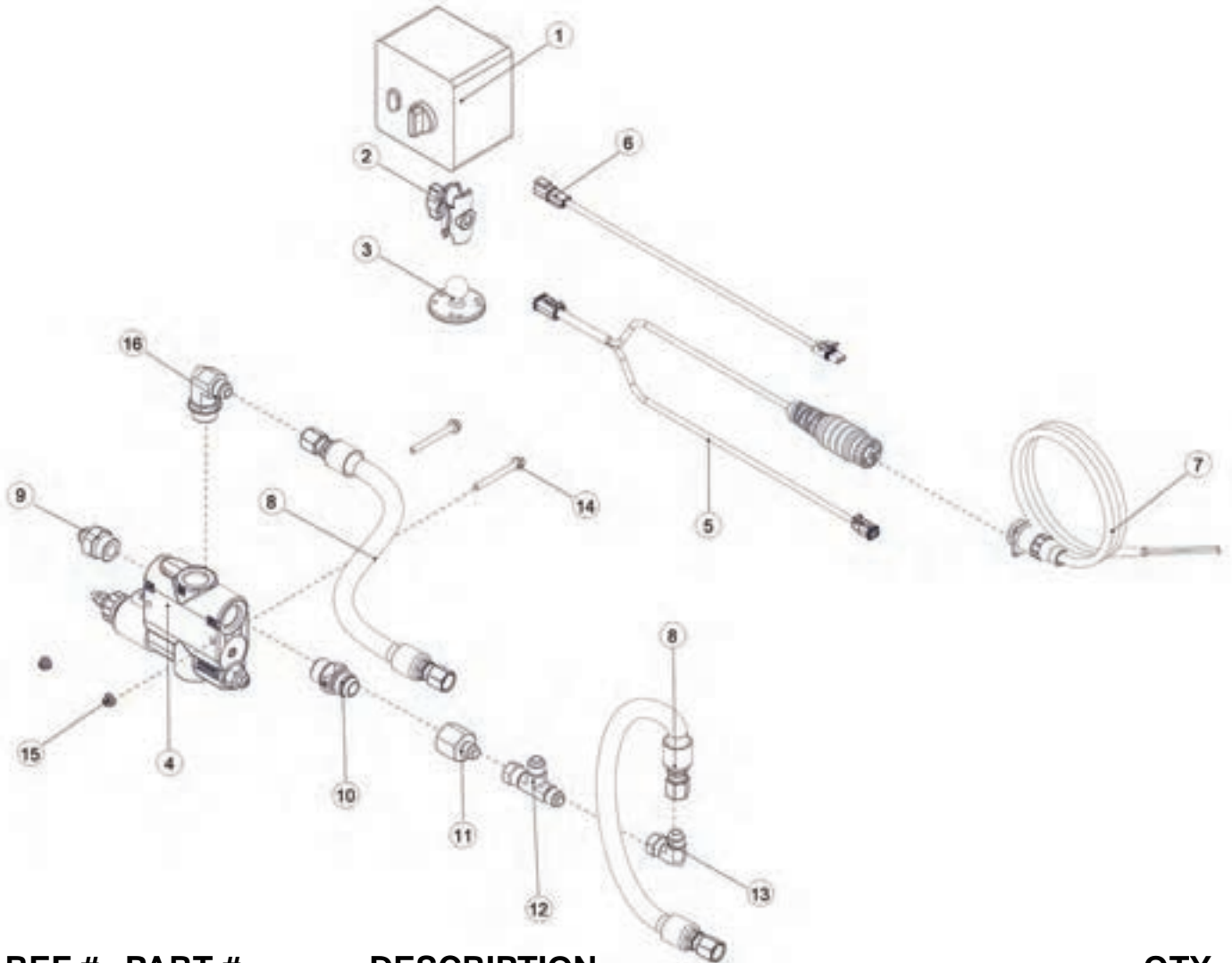


REF #	PART #	DESCRIPTION	QTY
1	TFM71	LED TAIL LIGHT ASSY, LH	1
2	TFM72	LED TAIL LIGHT ASSY, RH	1
3	91757B	LIGHT BRACKET, LH W/DECALS	1
4	91758B	LIGHT BRACKET, RH W/DECALS	1
5	94262	ELECTRIC HARNESS, LIGHTS	1
6	YBCR16015	BOLT CARRIAGE, 1/2-13 X 1-1/4 G5 ZC	4
7	YBFB08100	BOLT FLANGE, 1/4 X 1 G5	11
8	YNFG08010	NUT FLANGE, 1/4 GF	11
9	YNFG16003	NUT FLANGE, 1/2 GF	4
10	69908	MODULE, CONTROL, BLINKER	1
*	94718	BRAKE HARNESS	1



FIGURE 20

OPTIONAL Psovsec - ELECTRIC ADJUST HYDRAULIC VARIABLE SPEED APRON CONTROL



REF #	PART #	DESCRIPTION	QTY
1	91719	CONTROL BOX	1
2	85272	RAM DOUBLE SOCKET SHORT ARM	1
3	71445	MOUNT, RAM, CTRL MODULE	1
4	89668	ELECTRIC FLOW CONTROL	1
5	91713	CAB HARNESS	1
6	91712	IMPLEMENT HARNESS	1
7	16SV269	TRACTOR CONTROL CABLE	1
8	92790	HYDRAULIC HOSE, 8, 22	2
9	SD315	FITTING STRAIGHT, 8JIC, 12ORB, STL	1
10	92787	FITTING STRAIGHT, 12ORB, 12JIC, CHECK	1
11	92788	FITTING STRAIGHT, 12JIC, 8JIC	1
12	63336	FITTING TEE, 8JIC, 8JIC, 8JIC	1
13	TFM83	ELBOW, 90 DEGREE	1
14	YBFB08250	BOLT FLANGE, 1/4 X 2-1/2 G5	2
15	YNFG08010	NUT FLANGE, 1/4 GF	2
16	TFM87	FITTING 90, 8JIC, 12ORB	1



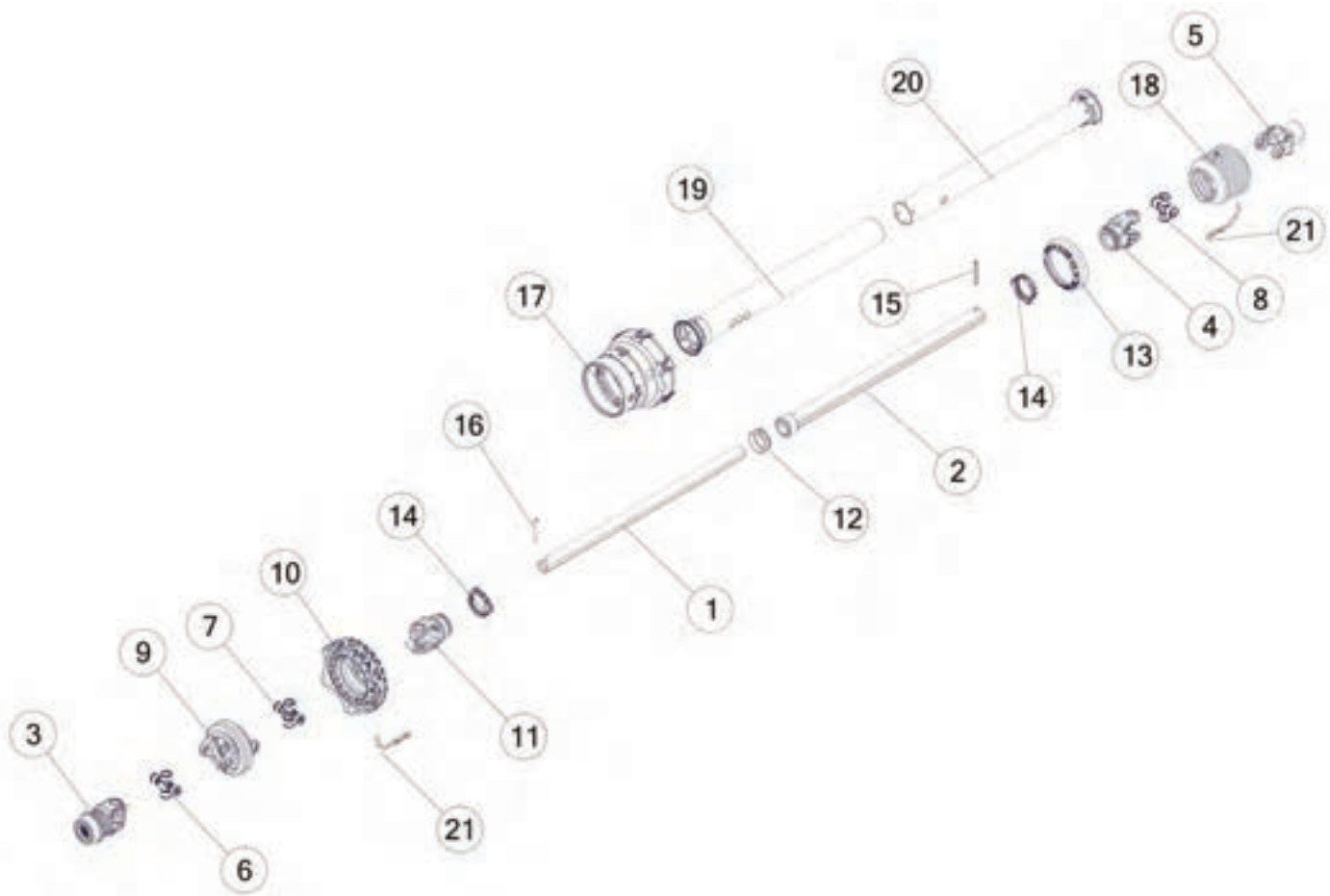




FIGURE 21

OPTIONAL HPO1034CV PTO
1-3/4" 1000 RPM CONSTANT VELOCITY

REF #	PART #	DESCRIPTION	QTY
1	89772	INNER SHAFT	1
2	89790	OUTER SHAFT	1
3	89799	YOKE	1
4	89787	YOKE	1
5	89789	YOKE	1
6	89768	CROSS AND BEARING KIT	1
7	89770	CROSS AND BEARING KIT	1
8	89786	CROSS AND BEARING KIT	1
9	89769	DOUBLE YOKE	1
10	89776	NET GUARD	1
11	89771	INBOARD YOKE	1
12	89793	SUPPORT BEARING	1
13	89792	REINFORCING COLLAR	1
14	87919	BEARING RING	2
15	87920	SPRING PIN	1
16	89773	SPRING PIN	1
17	89784	CV GUARD	1
18	87926	GUARD CONE	1
19	89774	OUTER GUARD TUBE	1
20	89791	GUARD TUBE INNER	1
21	87916	RESTRAINT CHAIN	2
*	89800	COMPLETE PTO, 1-3/4 1000 RPM	1





FIGURE 22

OPTIONAL HPO1038CV PTO
1-3/8" 1000 RPM CONSTANT VELOCITY

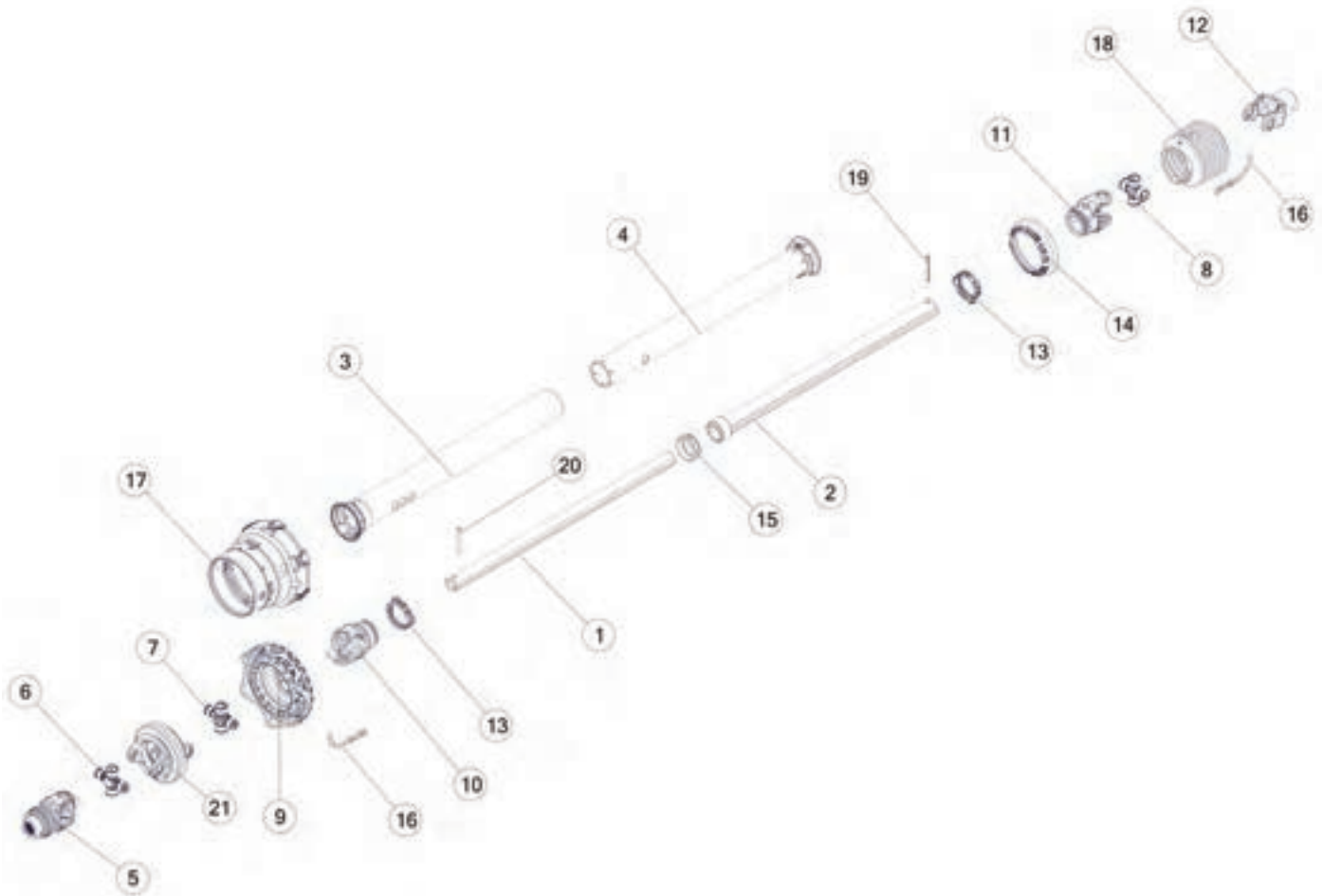




FIGURE 22
OPTIONAL HPO1038CV PTO
1-3/8" 1000 RPM CONSTANT VELOCITY

REF #	PART #	DESCRIPTION	QTY
1	89772	INNER SHAFT	1
2	89790	OUTER SHAFT	1
3	89774	OUTER GUARD TUBE	1
4	89791	GUARD TUBE INNER	1
5	89767	YOKE ASSEMBLY	1
6	89768	CROSS AND BEARING KIT	1
7	89770	CROSS AND BEARING KIT	1
8	89786	CROSS AND BEARING KIT	1
9	89776	NET GUARD	1
10	89771	INBOARD YOKE	1
11	89787	YOKE	1
12	89789	YOKE	1
13	87919	BEARING RING	2
14	89792	REINFORCING COLLAR	1
15	89793	SUPPORT BEARING	1
16	87916	RESTRAINT CHAIN	2
17	89784	CV GUARD	1
18	87926	GUARD CONE	1
19	87920	SPRING PIN	1
20	89773	SPRING PIN	1
21	89769	DOUBLE YOKE	1
*	89794	COMPLETE PTO, 1-3/8 1000 RPM	1



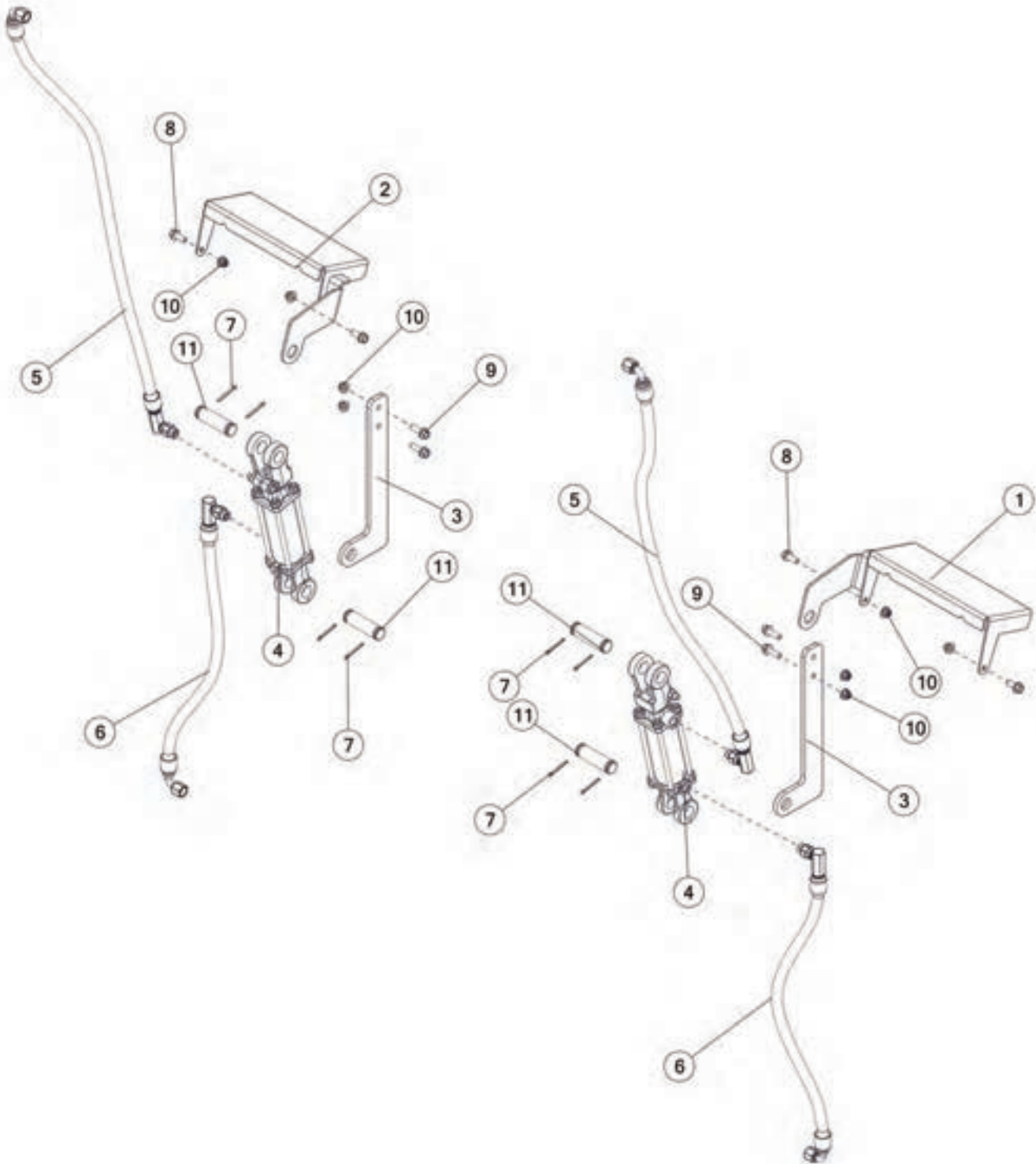




FIGURE 23

OPTIONAL PSHALC HYDRAULIC ACTUATOR LIGHT COVERS

REF #	PART #	DESCRIPTION	QTY
1	92810	LIGHT COVER, LH	1
2	92820	LIGHT COVER, RH	1
3	91766	CYLINDER MOUNT	2
4	70797	HYDRAULIC CYLINDER, 2 X 4	2
5	92831	HYDRAULIC HOSE, 8, 52	2
6	92826	HYDRAULIC HOSE, 8, 30	2
7	YPCT05010	COTTER PIN, 5/32 X 1-1/2	8
8	YBFB12003	BOLT FLANGE, 3/8 X 1 G5	4
9	YBFB12125	BOLT FLANGE, 3/8 X 1-1/4 G5	4
10	YNFG12006	NUT FLANGE, 3/8 GF	8
11	T143	PIN	4





FIGURE 24
OPTIONAL HPOFASE
SCREEN EXTENSION

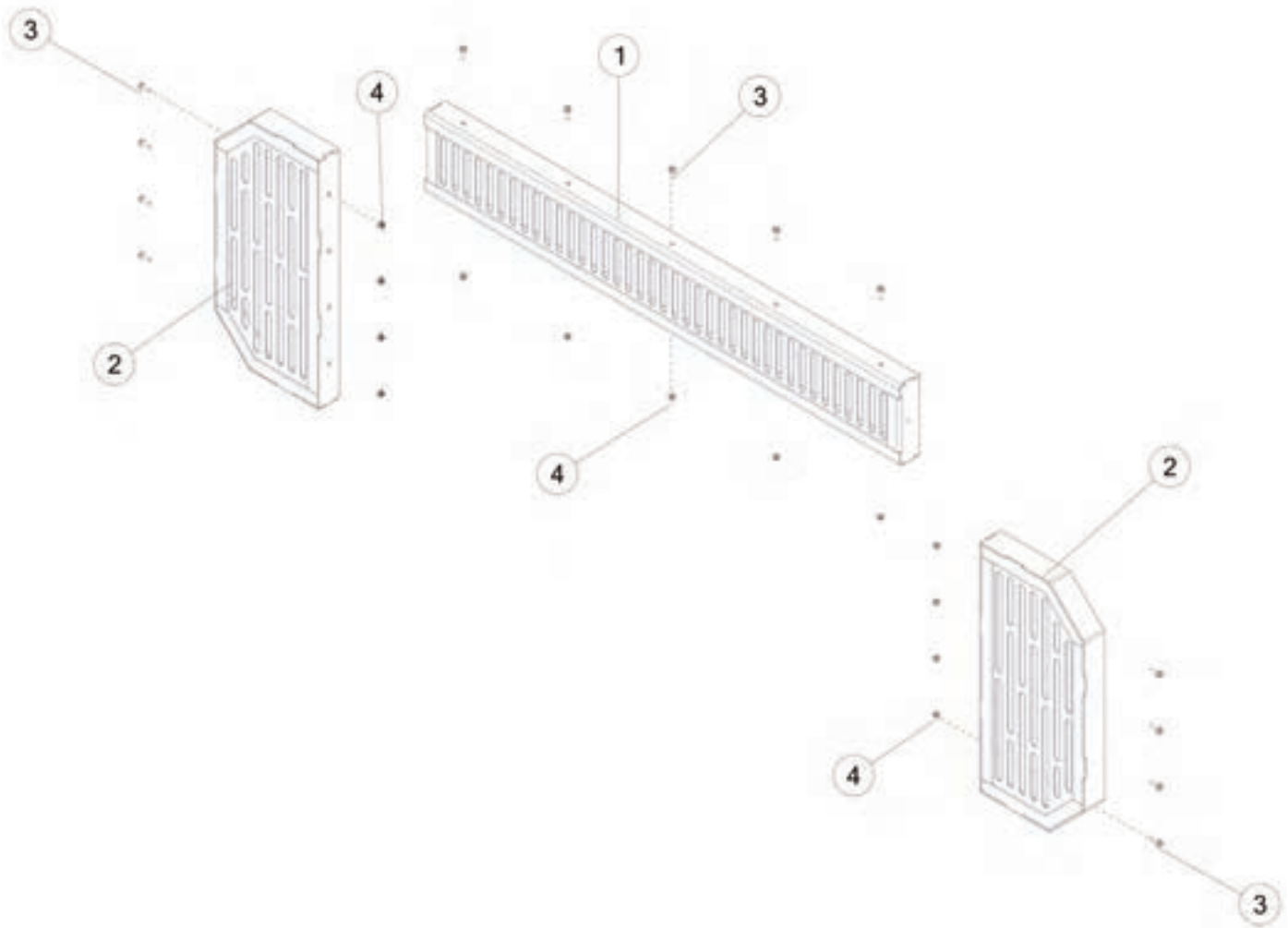




FIGURE 25

OPTIONAL PSOVSC
MANUAL HYD VARIABLE SPEED CONTROL

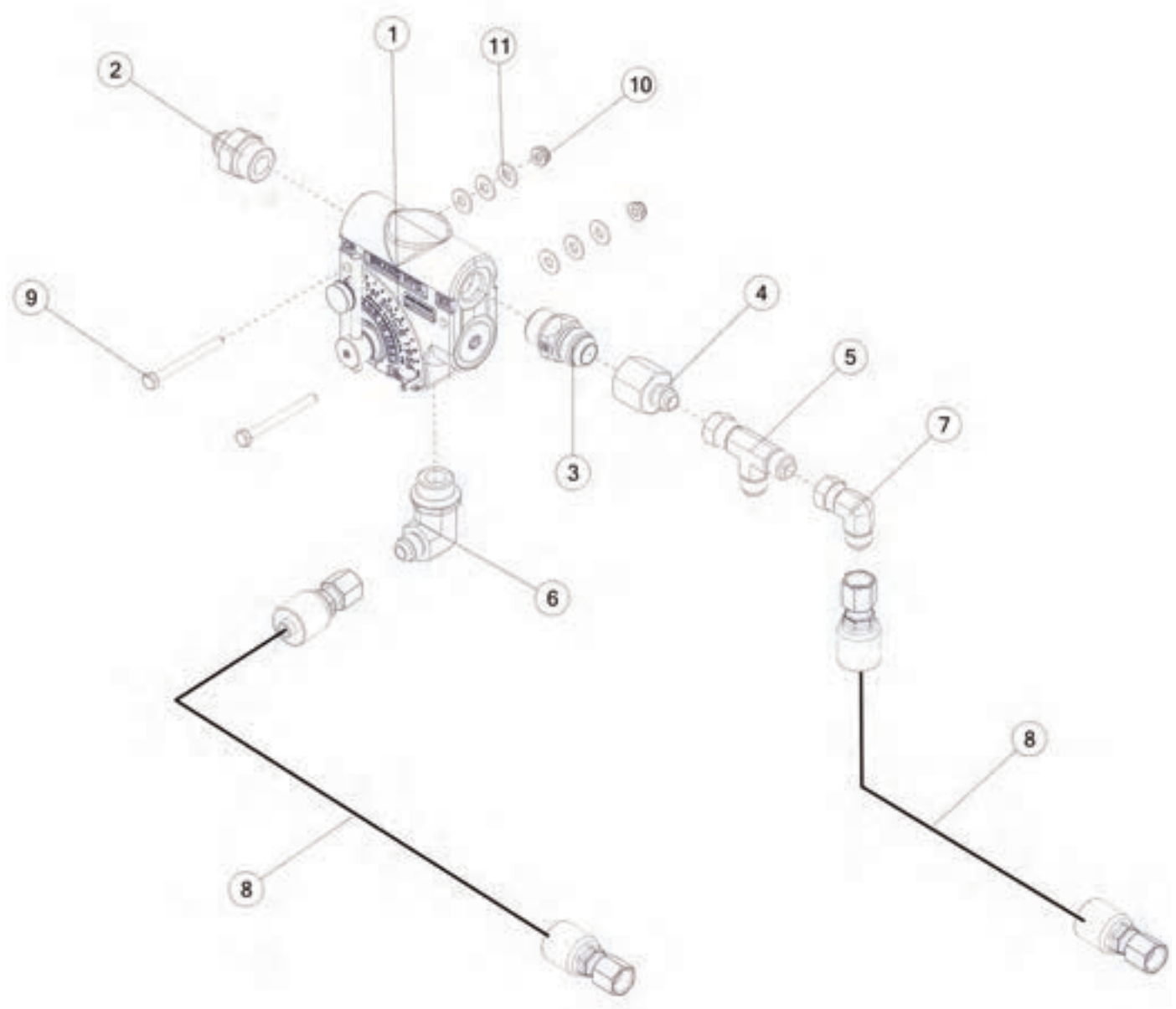




FIGURE 25

OPTIONAL PSOVSC

MANUAL HYD VARIABLE SPEED CONTROL

REF #	PART #	DESCRIPTION	QTY
1	89583	FLOW CONTROL	1
2	GM27	FITTING STRAIGHT, 8JIC, 10ORB	1
3	97455	FITTING STRAIGHT, 10ORB, 10JIC, CHECK	1
4	97456	FITTING STRAIGHT, 10JIC, 8JIC	1
5	63336	SWIVEL RUN NUT TEE	1
6	GM19	FITTING 90, 8JIC, 10ORB	1
7	TFM83	ELBOW, 90 DEGREE	1
8	92790	HYDRAULIC HOSE, 8, 22	2
9	YBHH08070	BOLT HEX, 1/4 X 2-3/4 G5	2
10	YNFG08010	NUT FLANGE, 1/4 GF	2
11	YWFL08005	WASHER FLAT, 1/4	6



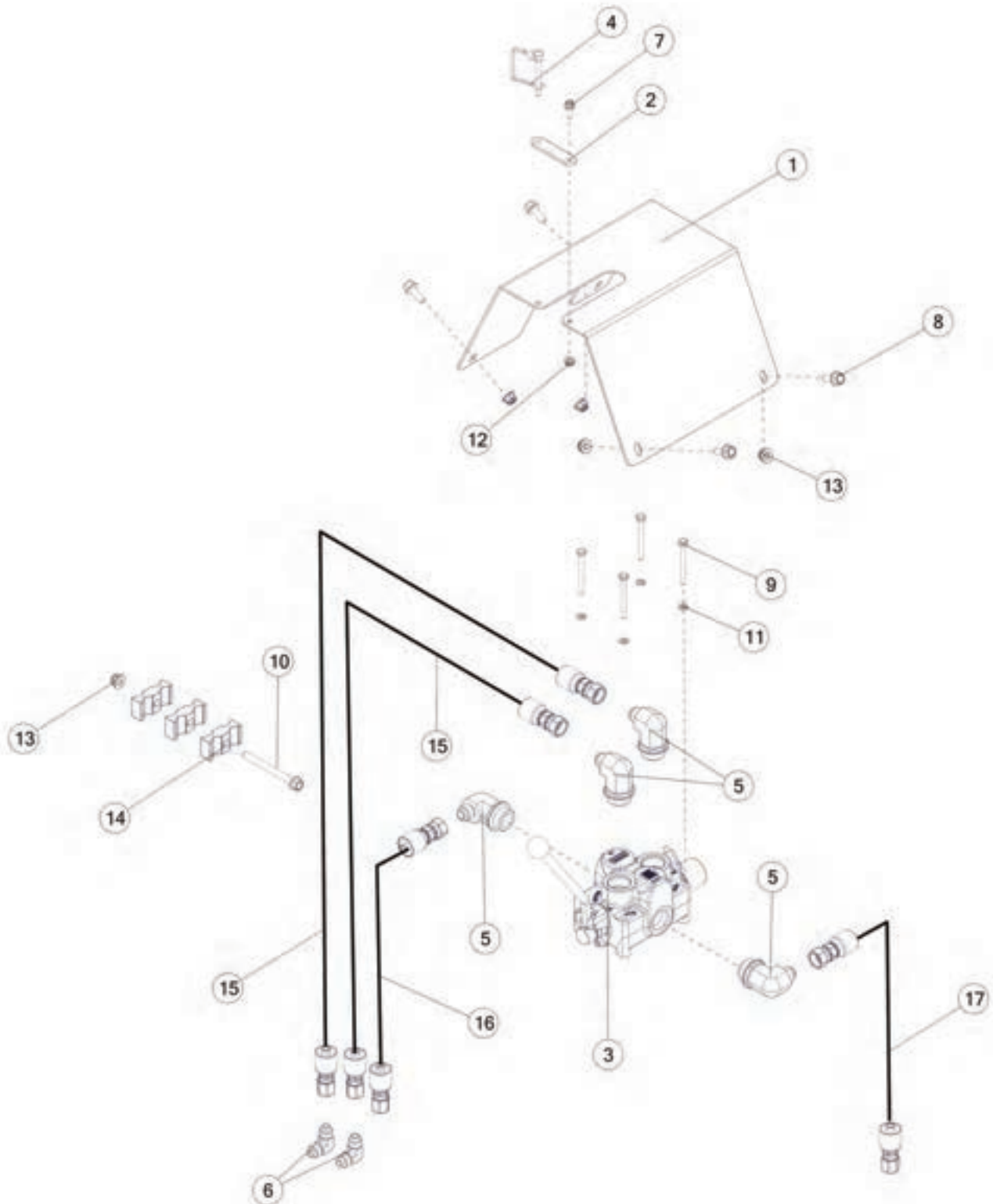




FIGURE 26 OPTIONAL PSO38RVP MAIN APRON REVERSER VALVE PACKAGE

REF #	PART #	DESCRIPTION	QTY
1	94366	VALVE SHIELD	1
2	94367	HANDLE STOP	1
3	91737	HYDRAULIC VALVE, DIRECTIONAL CONTROL	1
4	94369	SNAPPER PIN	1
5	92513	FITTING 90, 10JIC, 16ORB	4
6	1142	UNION ELBOW, 90, 8 ETX-S	2
7	YBFB08075	BOLT FLANGE, 1/4 X 3/4 G5	1
8	YBFB12003	BOLT FLANGE, 3/8 X 1 G5	4
9	YBHH08070	BOLT HEX, 1/4 X 2-3/4 GR 5	4
10	YBFB12400	BOLT FLANGE, 3/8 X 4 G5	1
11	YWLO08005	WASHER, LOCK, 1/4 ZC	4
12	YNFG08010	NUT FLANGE, 1/4 GF	1
13	YNFG12006	NUT FLANGE, 3/8 GF	5
14	86567	DOUBLE CLAMP, UNIVERSAL	3
15	92729	HYDRAULIC HOSE, 8, 39	2
16	94363	HYDRAULIC HOSE, 8, 42	1
17	97137	HYDRAULIC HOSE, 8, 49	1



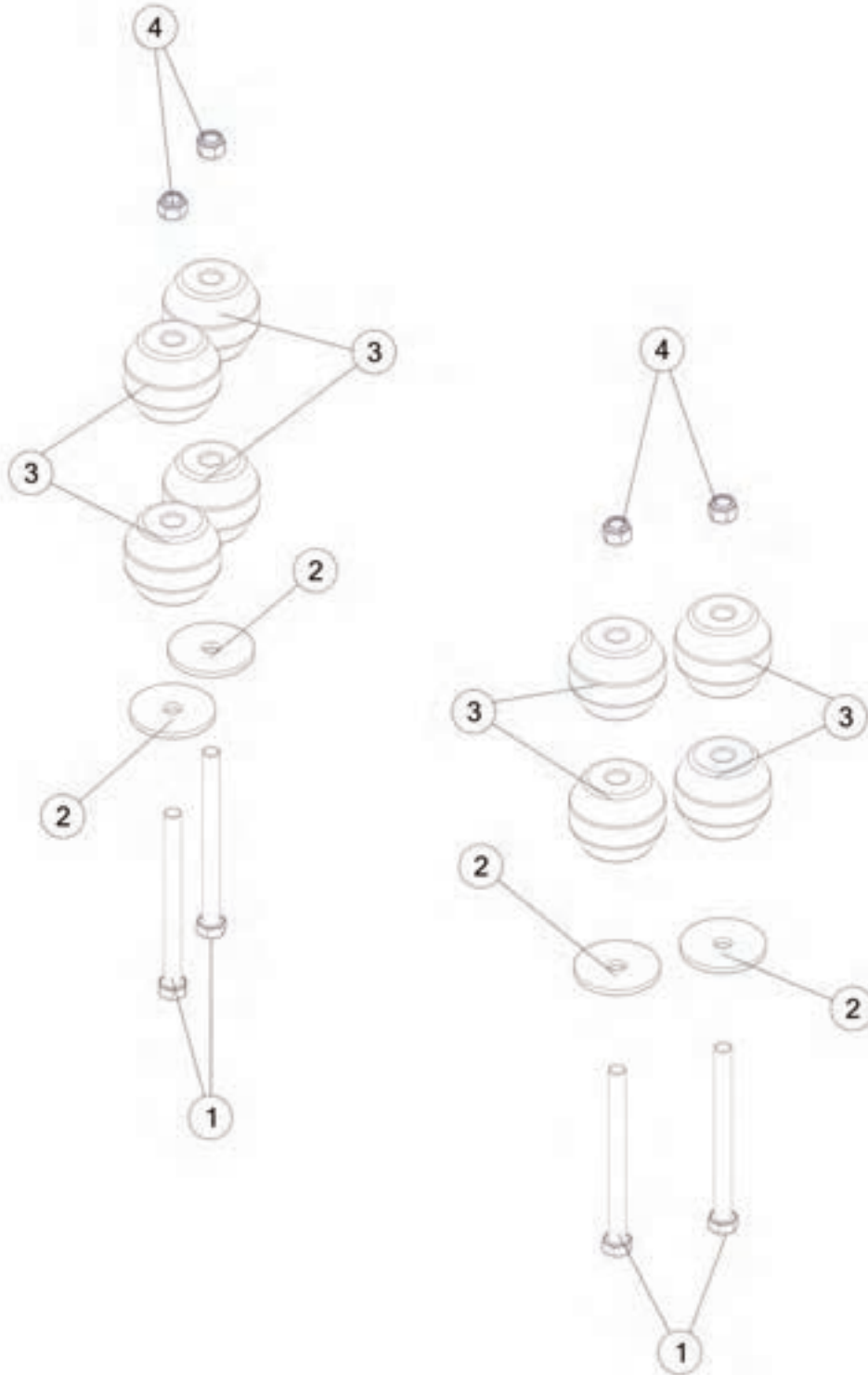




FIGURE 27

OPTIONAL PSO38RSSP
RUBBER SPRING SUSPENSION PACKAGE

REF #	PART #	DESCRIPTION	QTY
1	YBHH32120	BOLT HEX, 1-8 X 12 G5	4
2	91153	WASHER, FLAT, 1	4
3	91058	RUBBER SPRING	8
4	YNNY32005	NUT HEX, 1-8 LKNY G2 ZC	4

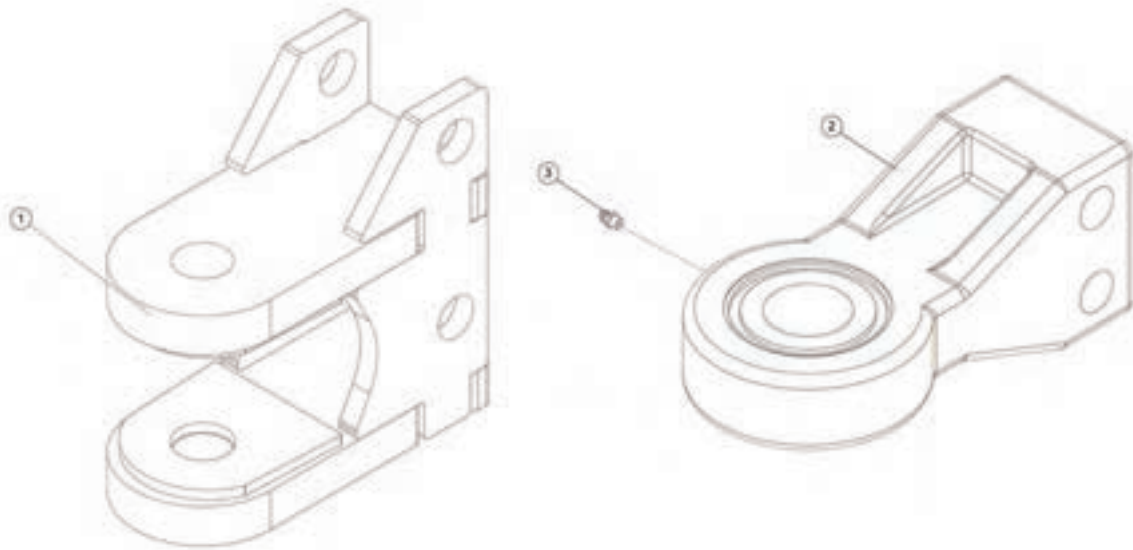




REF #	PART #	DESCRIPTION	QTY
1	90192	ASSEMBLY, TIRE AND WHEEL	4
2	90185	WHEEL, 22.5 X 13.5 8 BOLT SILVER	4
3	16SV88	TIRE, 425 X 22.5	4
4	72438	VALVE STEM, 1-1/2	4
1	90193	ASSEMBLY, TIRE AND WHEEL	4
2	90186	WHEEL, W16C-16.1 8 BOLT SILVER	4
3	UR8	TIRE, 19L X 16.1	4
4	72437	VALVE STEM, 1.25IN HD	4
1	90197	ASSEMBLY, TIRE AND WHEEL, RH	2
*	90198	ASSEMBLY, TIRE AND WHEEL, LH	2
2	90187	WHEEL, 22.5 X 16.00 8 BOLT SILVER	2
3	33381	TIRE, 550/45 - 22.5 16PLY FLOATATION	2
4	72437	VALVE STEM, 1.25IN HD	2



FIGURE 29
OPTIONAL PSOCH CLEVIS HITCH
OPTIONAL HTCHB BULLNOSE HITCH



REF #	PART #	DESCRIPTION	QTY
1	58538	ADJUSTABLE CLEVIS	1
2	58290	ARTICULATING HITCH	1
3	G89	STRAIGHT ZERK, 1/4-28	1







Manufactured By:

H&S MANUFACTURING CO., INC.

2608 S. HUME AVE. MARSHFIELD, WI 54449
(715) 387-3414 | hsmfgco.com

