



**PS6180**

**MANURE SPREADER**

**PARTS BOOK**

Part #92784 HSMFG082422 Rev. #00 Starting Ser. #221PS80001

**STRONG HERITAGE - STRONG PEOPLE - STRONGER FUTURE**

| <b>FIGURE #</b> | <b>CONTENTS</b>  | <b>PAGE #</b> |
|-----------------|--|---------------|
| *               | INSTRUCTIONS FOR ORDERING PARTS  | 1             |
| 1               | FRONT POLE & COMPONENTS  | 2-3           |
| 2               | DRIVE SHAFT & COMPONENTS   | 4-5           |
| 3               | AXLE & COMPONENTS  | 6-7           |
| 4               | HUB & WHEEL ASSEMBLY   | 8-9           |
| 5               | PTO SHIELD & COMPONENTS  | 10-11         |
| 6               | FRONT APRON SHIELD & COMPONENTS  | 12-13         |
| 7               | FLOOR  | 14-15         |
| 8               | REAR APRON DRIVESHAFT & CHAIN  | 16-17         |
| 9               | STONE GUARD & COMPONENTS   | 18-19         |
| 10              | ENDGATE & COMPONENTS   | 20-21         |
| 11              | BEATERS & COMPONENTS   | 22-23         |
| 12              | BEATER PAN & COMPONENTS  | 24-25         |
| 13              | HYDRAULICS   | 26-27         |
| 14              | GREASE LINES   | 28-29         |
| 15              | HYDRAULIC MOTOR & COMPONENTS   | 30-31         |
| 16              | PTO & COMPONENTS   | 32-33         |
| 17              | LIGHTS   | 34-35         |
| 18              | OPTIONAL CHOSCH - SWIVEL DOUBLE CLEVIS HITCH                             | 36-37         |
| 19              | OPTIONAL HTCHB4 - CATEGORY 4 BULLNOSE HITCH                              | 38-39         |
| 20              | OPTIONAL HTCHB5 - CATEGORY 5 BULLNOSE HITCH                              | 40-41         |
| 21              | OPTIONAL HTCHC - CLEVIS HITCH  | 42-43         |
| 22              | OPTIONAL PSO4WBRK -<br>4 WHEEL BRAKE PACKAGE - FACTORY INSTALLED         | 44-45         |
| 23              | OPTIONAL PSO1034CVP - 1-3/4" 1000 RPM CV PTO                             | 46-47         |
| 24              | OPTIONAL PSO1038CVP - 1-3/8" 1000 RPM CV PTO                             | 48-49         |
| 25              | OPTIONAL PSOHALC - HYDRAULIC ACTUATOR LIGHT COVERS                       | 50-51         |
| 26              | OPTIONAL PSORVP - REVERSER VALVE PACKAGE                                 | 52-53         |
| 27              | OPTIONAL PSOS800 - 5-POINT SCALE   | 54-55         |
| 28              | OPTIONAL PSOVSEC -<br>HYDRAULIC VARIABLE SPEED APRON CONTROL             | 56-57         |
| 29              | OPTIONAL TSOGP -<br>SCALE DISPLAY W/GPS FACTORY INSTALLED W/SCALE SYSTEM | 58-59         |
| 30              | OPTIONAL TSOALOG -<br>KIT-NT560 AUTOLOG FACTORY INSTALLED W/SCALE SYSTEM | 60-61         |
| 31              | OPTIONAL TSOW -<br>SCALE DISPLAY FACTORY INSTALLED W/SCALE SYSTEM        | 62-63         |



# TABLE OF CONTENTS

| FIGURE # | CONTENTS   | PAGE # |
|----------|--|--------|
| 32       | OPTIONAL TWP700S -<br>(4) 700/50 X 22.5 FLOTATION TIRES/RIMS   | 64-65  |
| 33       | OPTIONAL TWP70026S -<br>(4) 700/50 X 26.5 FLOTATION TIRES/RIMS | 66-67  |
| 34       | OPTIONAL PSOCJACK - CRANK JACK                                 | 68-69  |
| 35       | OPTIONAL PSOHJACK - HYDRAULIC JACK                             | 70-71  |
| *        | PARTS NOTES  | 72     |



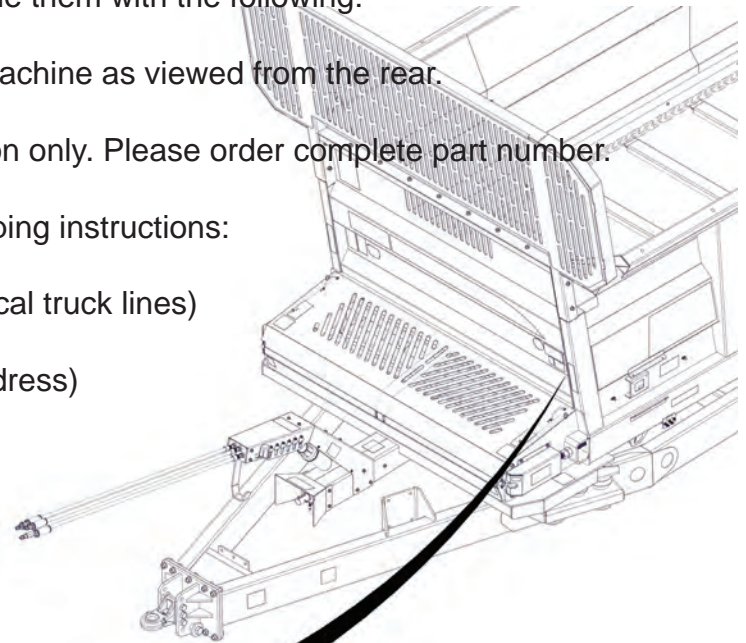
# INSTRUCTIONS FOR ORDERING PARTS

All service parts should be ordered through your authorized H&S dealer. Your Dealership will be able to give you faster service if you will provide them with the following:

1. All references to left or right apply to the machine as viewed from the rear.
2. Parts should not be ordered from illustration only. Please order complete part number.
3. If your dealer has to order parts, give shipping instructions:

VIA truck - large pieces (please specify local truck lines)

VIA United Parcel Service (include full address)



**H&S MFG. CO. INC.**  
MARSHFIELD, WIS.

MOD. NO.

SER. NO.

DESCR.

PLEASE RECORD NUMBERS FOR YOUR UNIT  
FOR QUICK REFERENCE

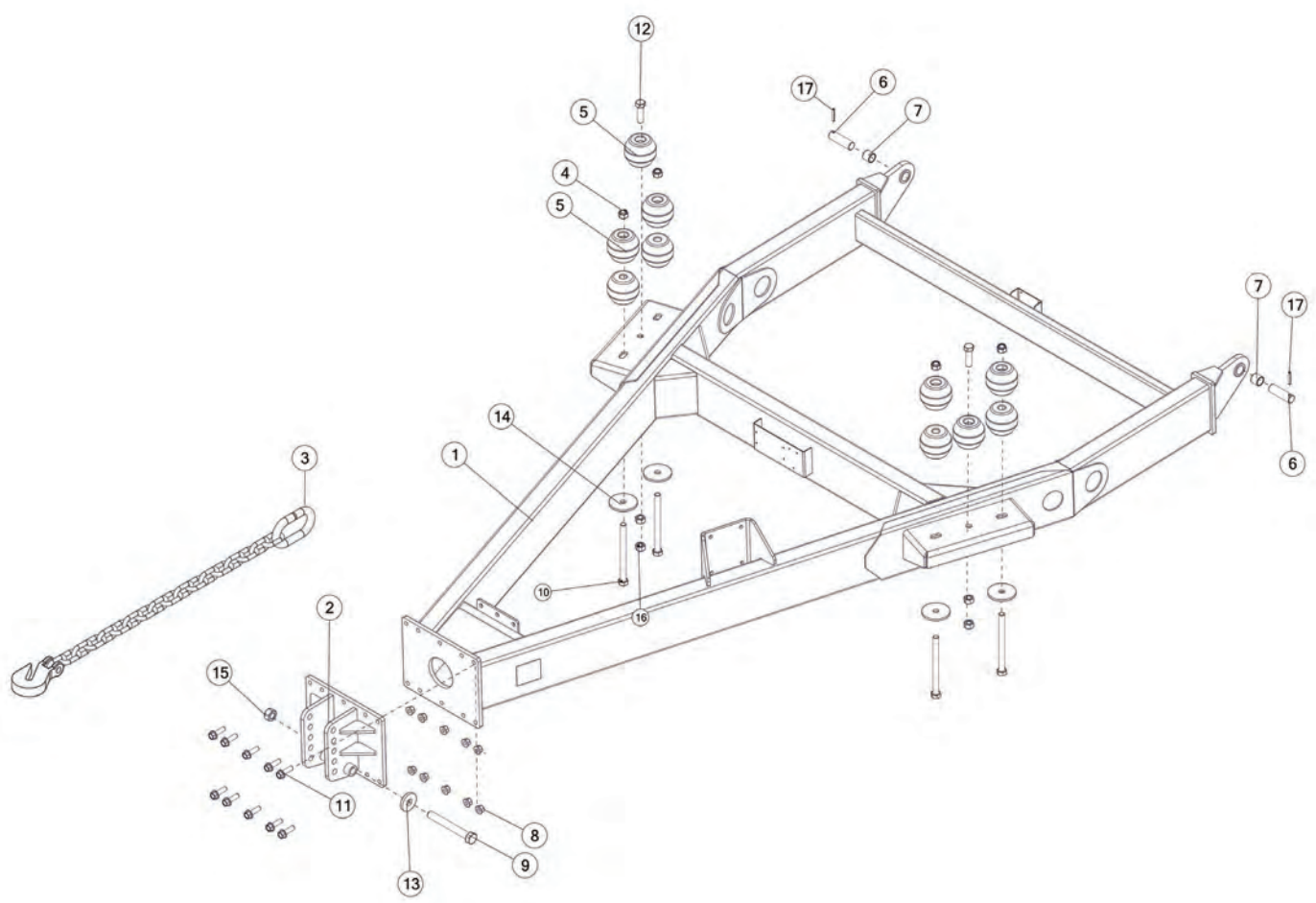
H&S IS CONTINUALLY STRIVING TO IMPROVE ITS PRODUCTS

We must, therefore, reserve the right to make improvements or changes whenever it becomes practical to do so, without incurring any obligation to make changes or additions to the equipment previously sold.





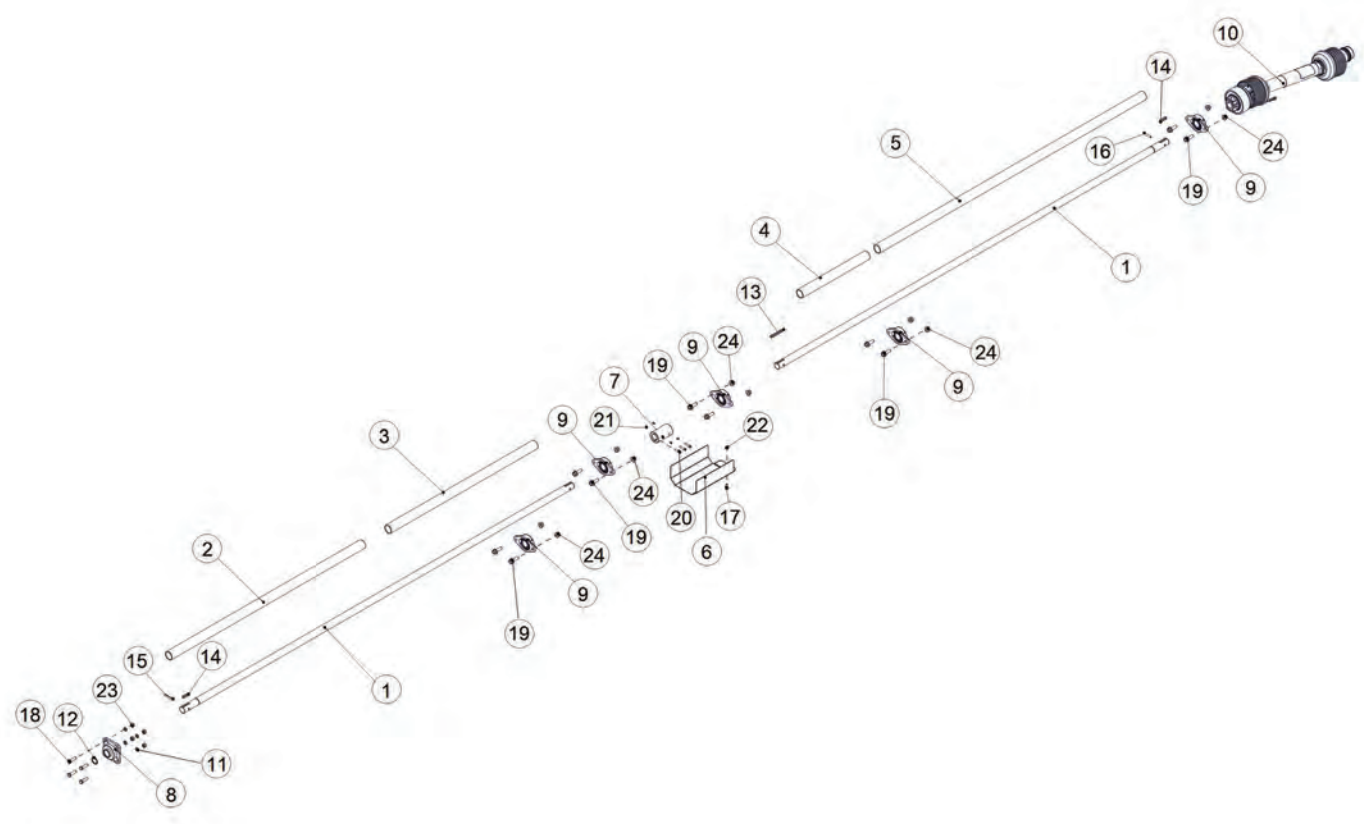
**FIGURE 1**  
**FRONT POLE & COMPONENTS**







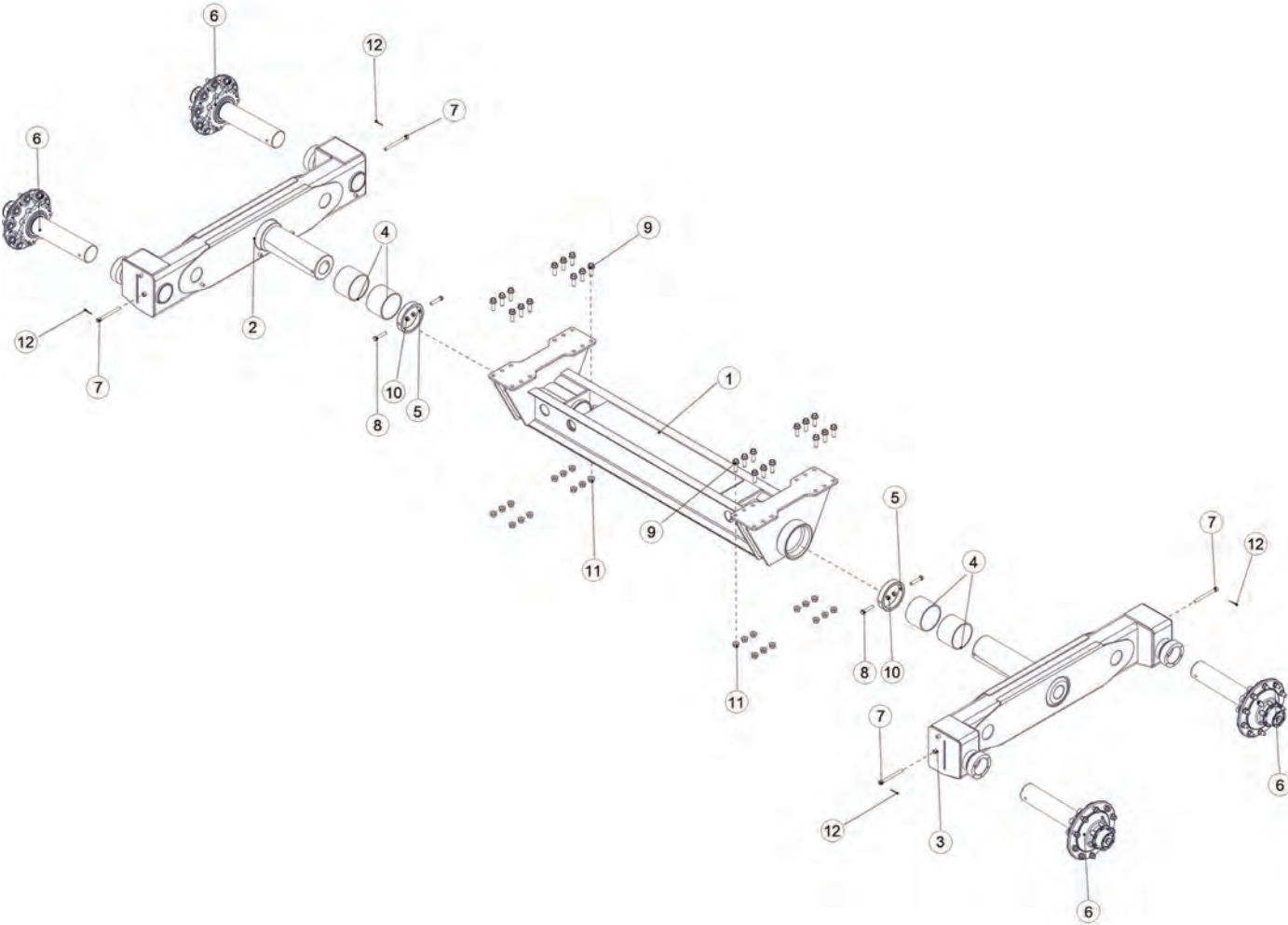
**FIGURE 2**  
**DRIVE SHAFT & COMPONENTS**







# FIGURE 3 AXLE & COMPONENTS

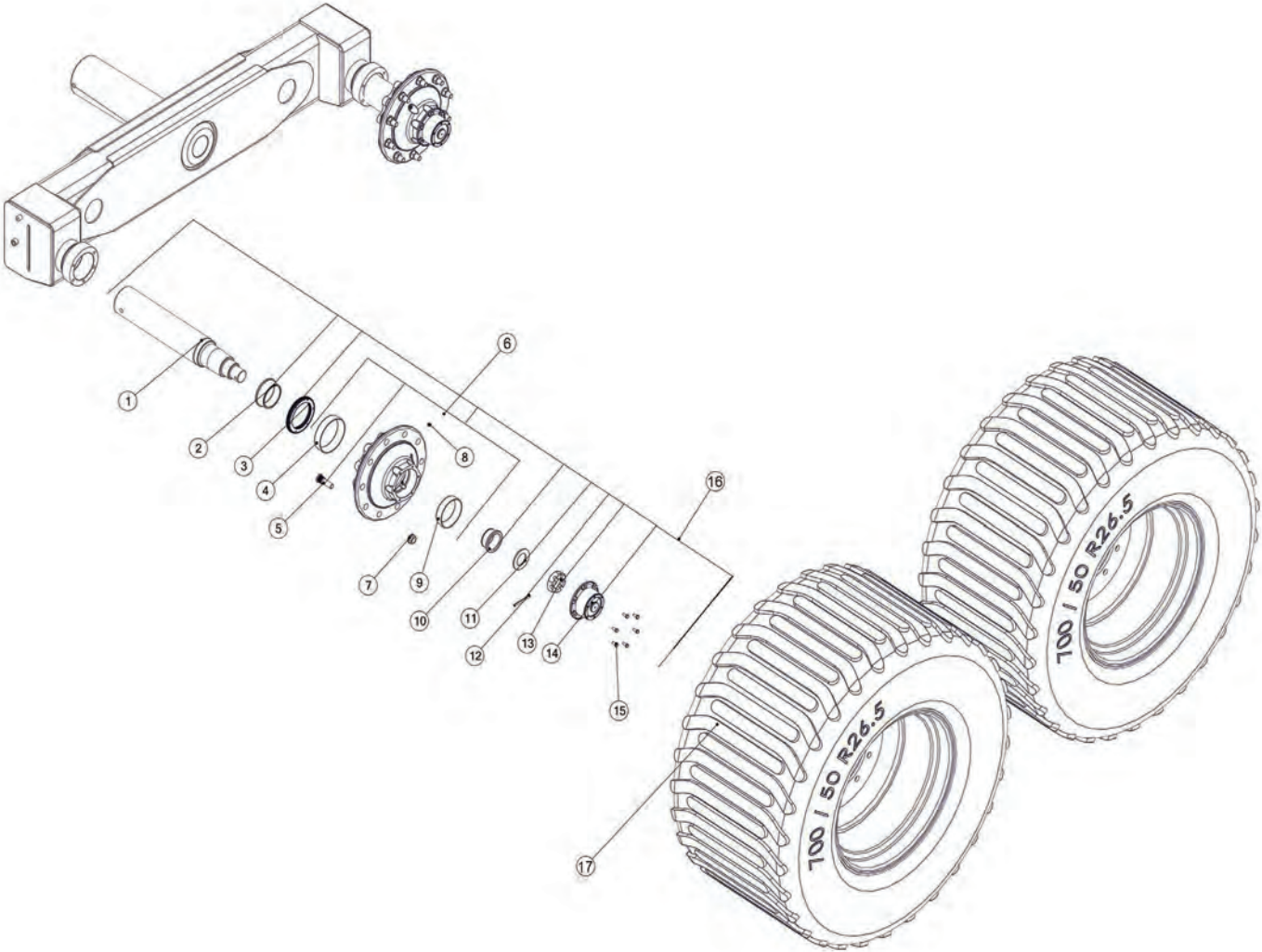








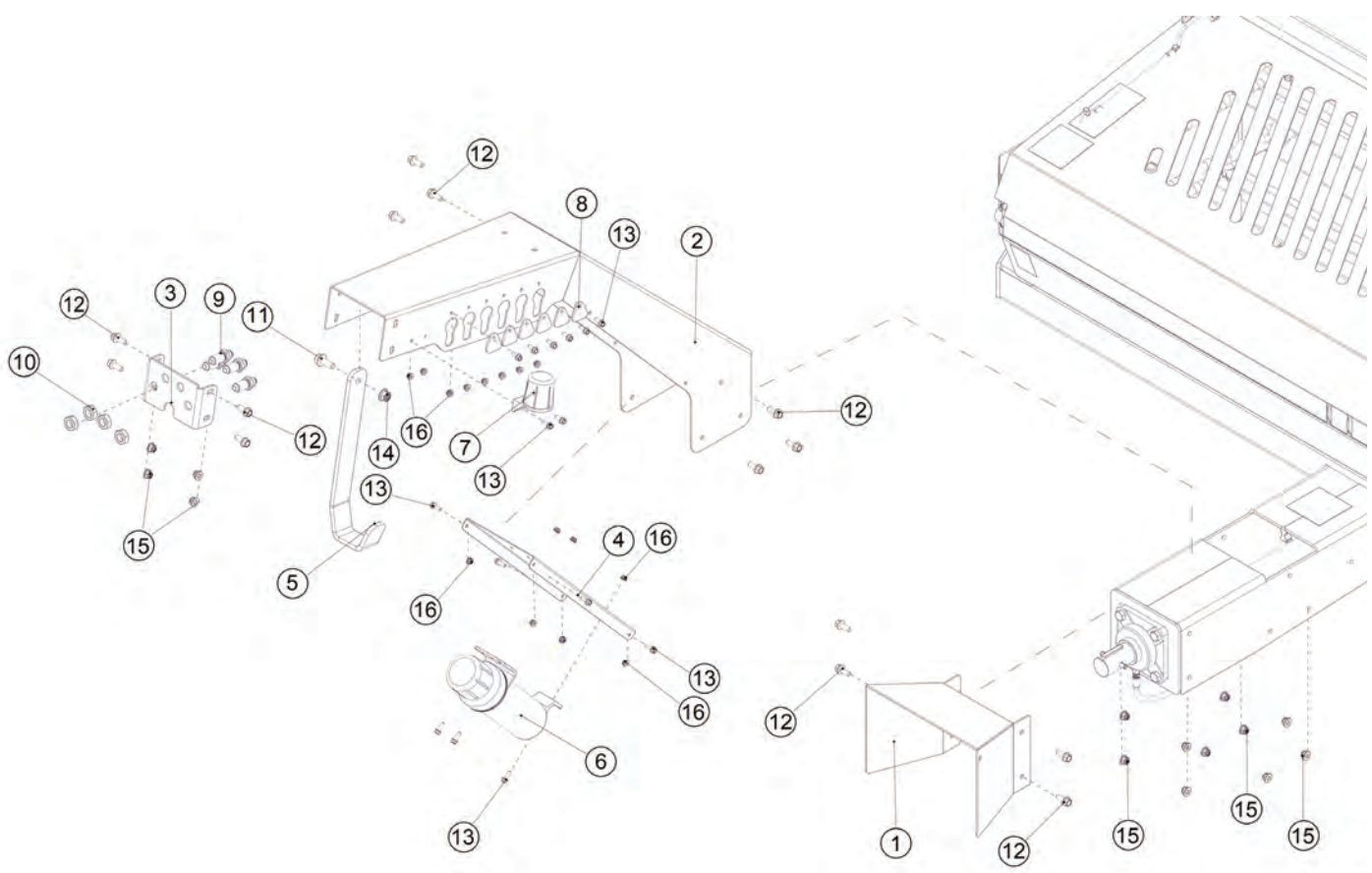
# FIGURE 4 HUB & WHEEL ASSEMBLY







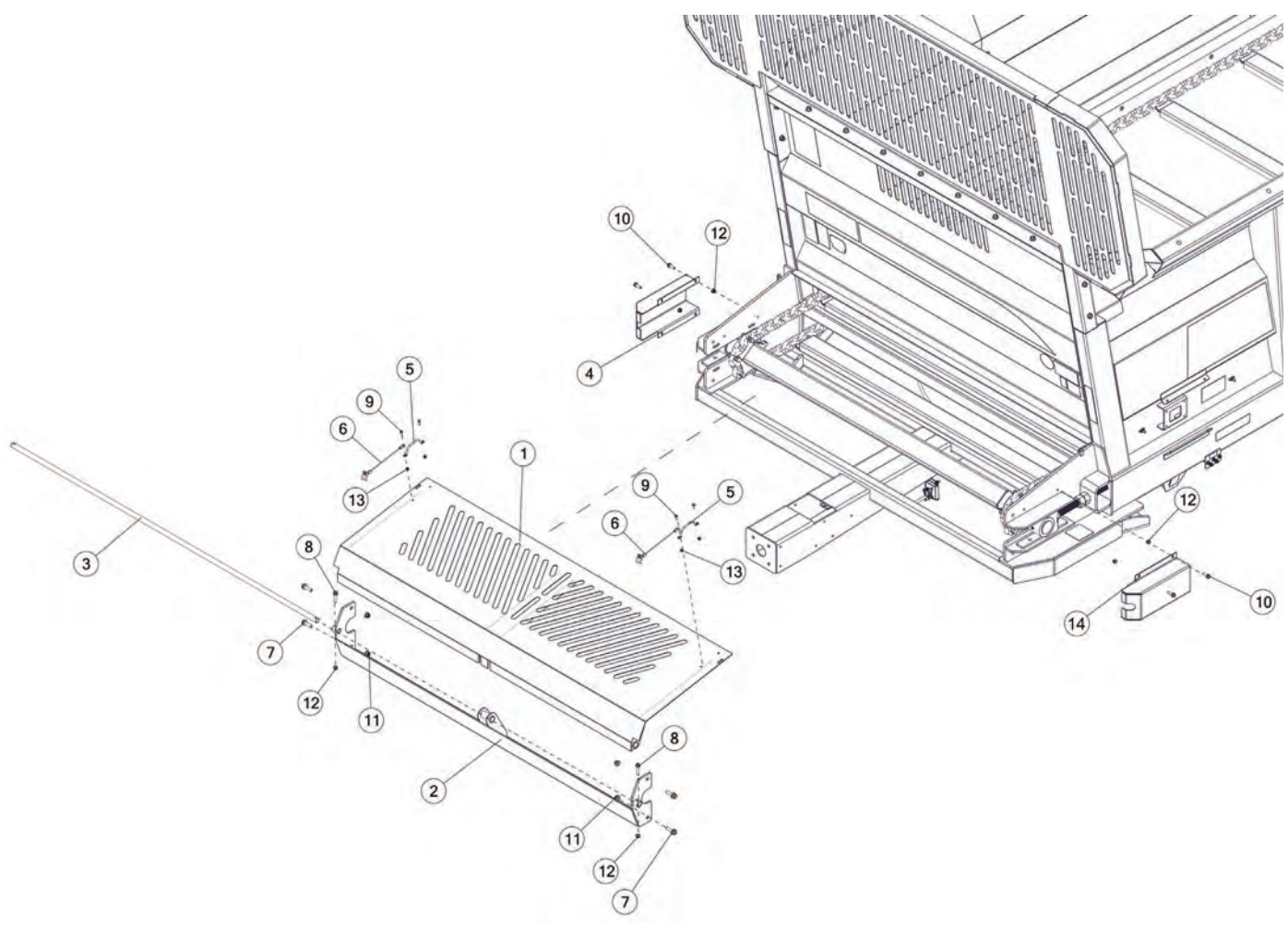
# FIGURE 5 PTO SHIELD & COMPONENTS



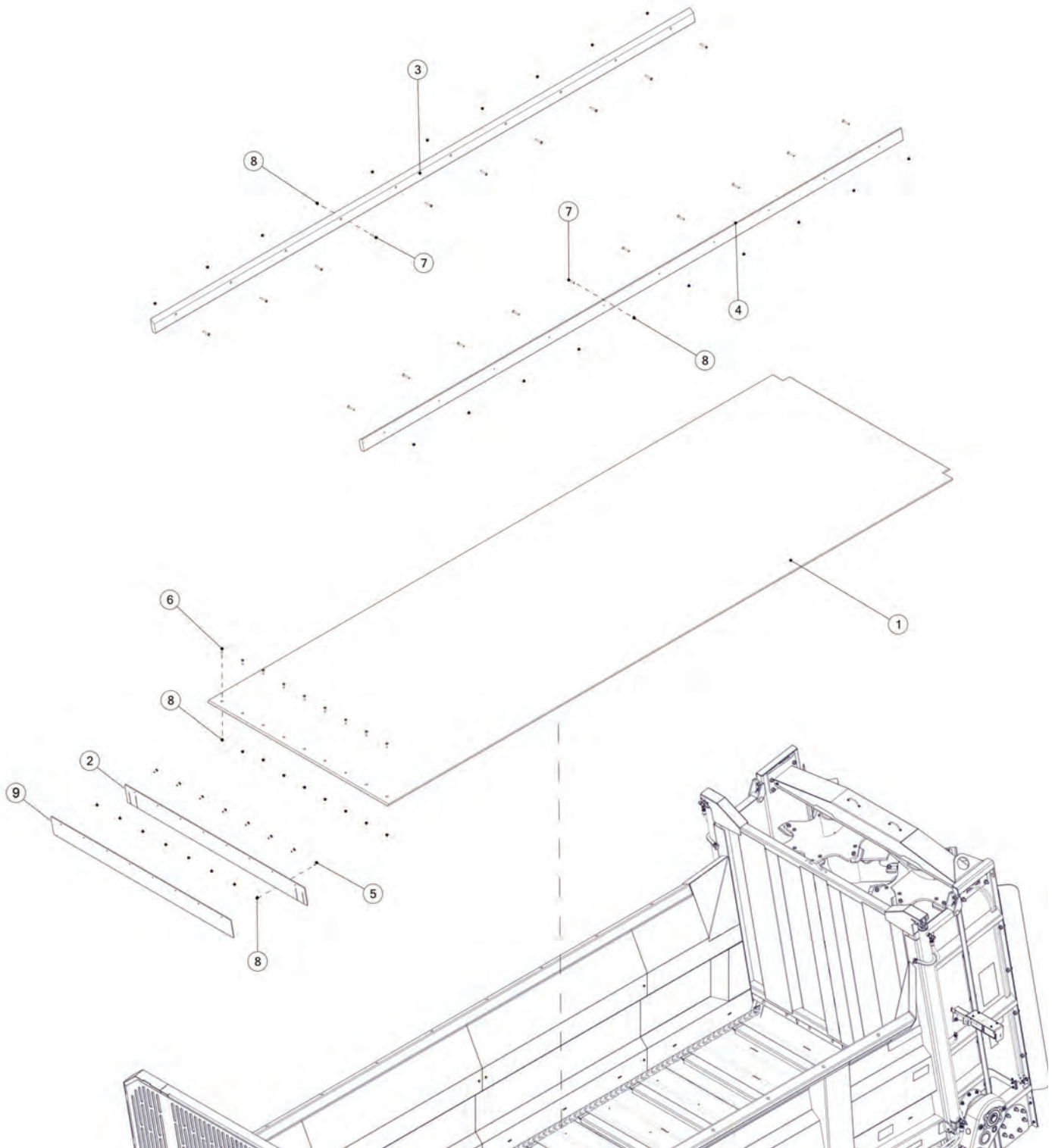




# FIGURE 6 FRONT APRON SHIELD & COMPONENTS









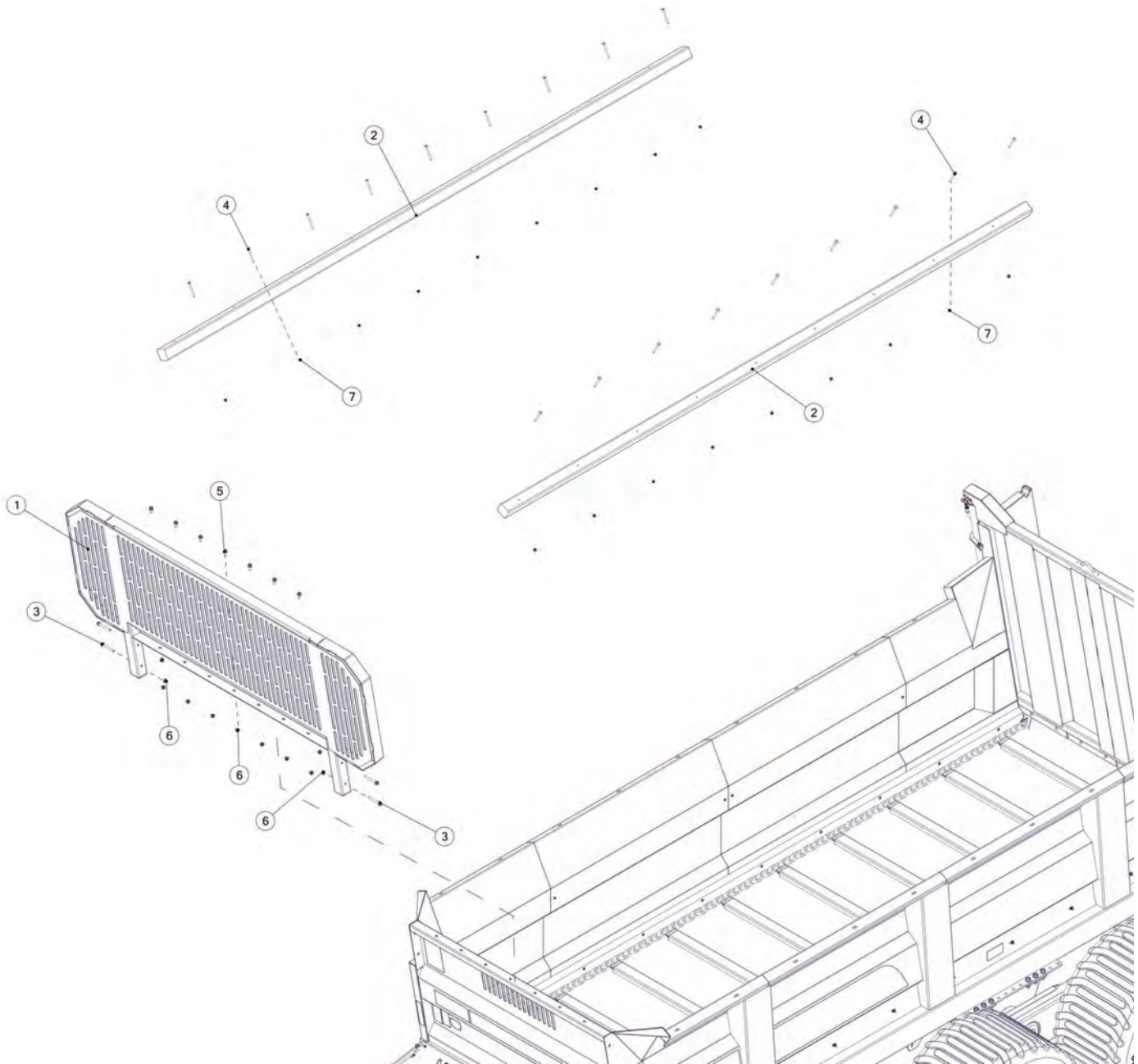








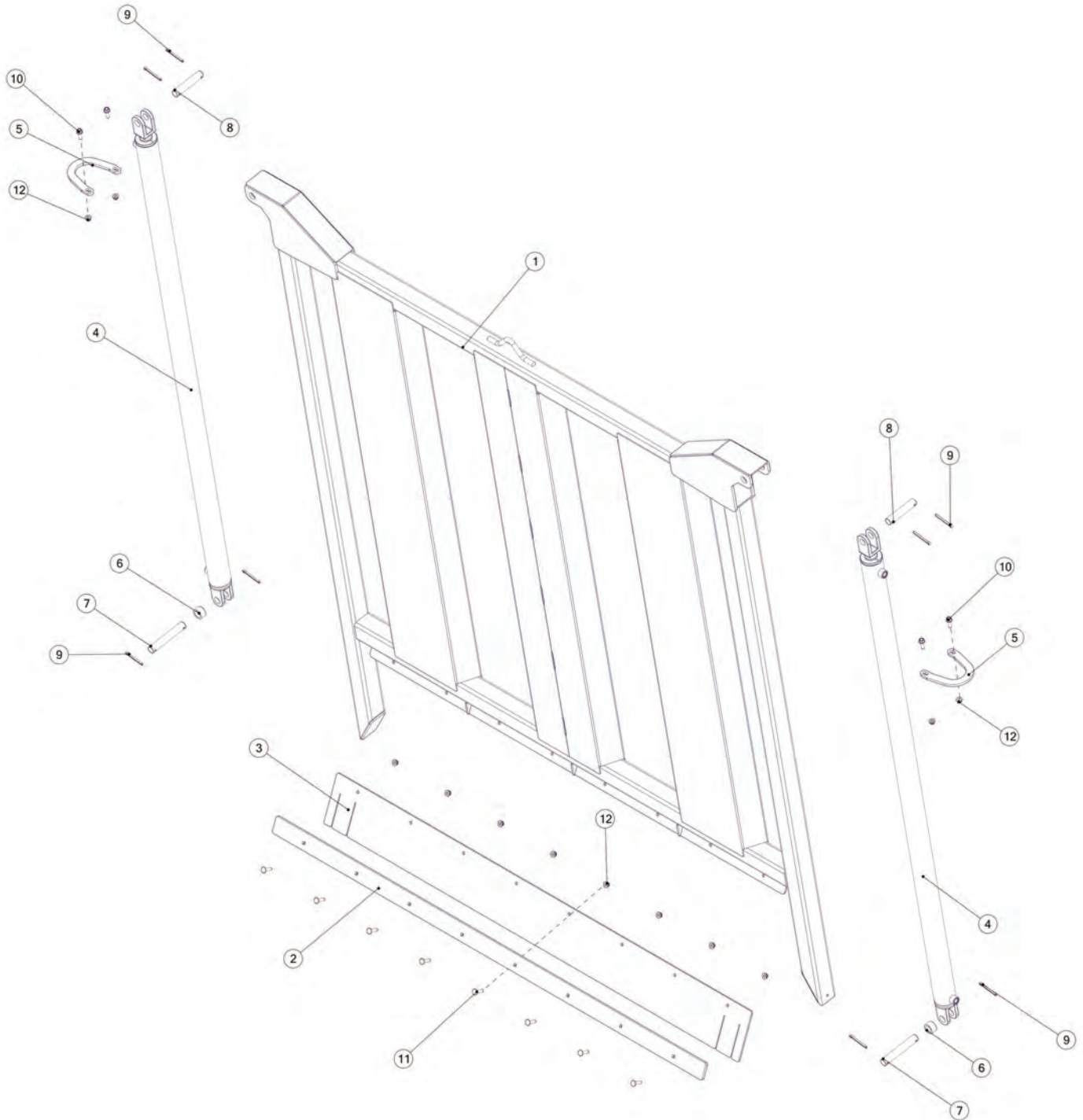
# FIGURE 9 STONE GUARD & COMPONENTS







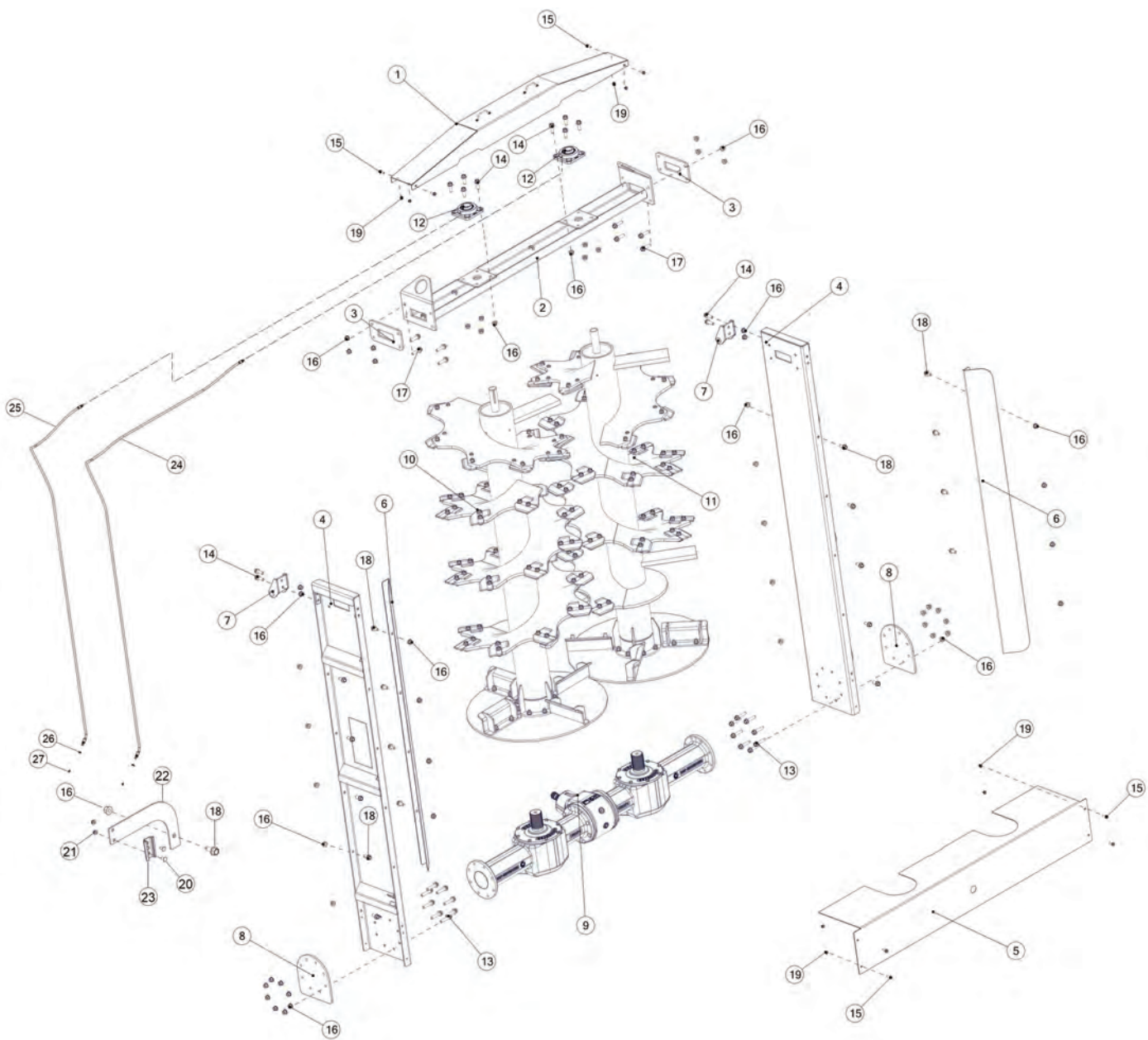
# FIGURE 10 ENDGATE & COMPONENTS







# FIGURE 11 BEATERS & COMPONENTS



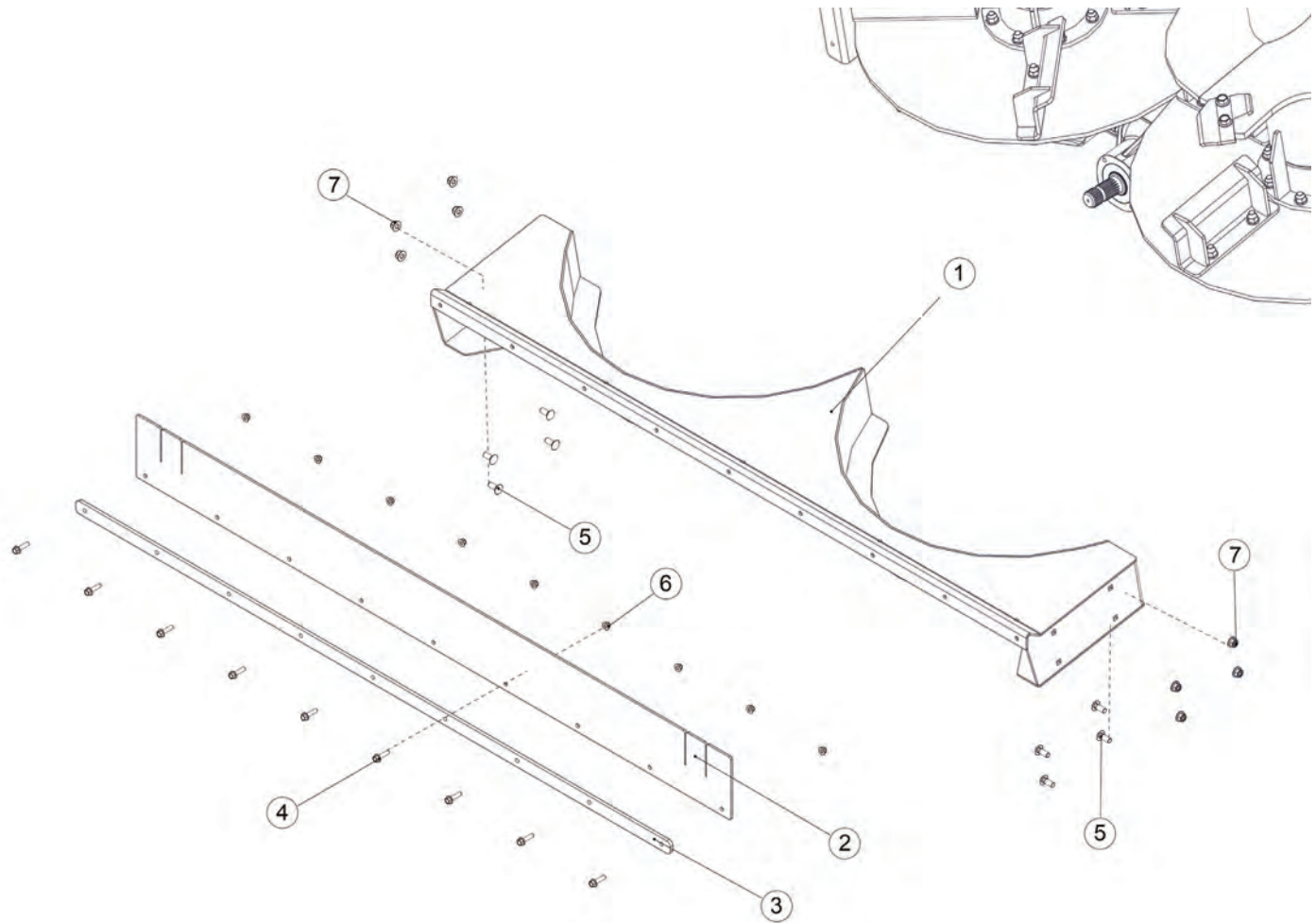






# FIGURE 12

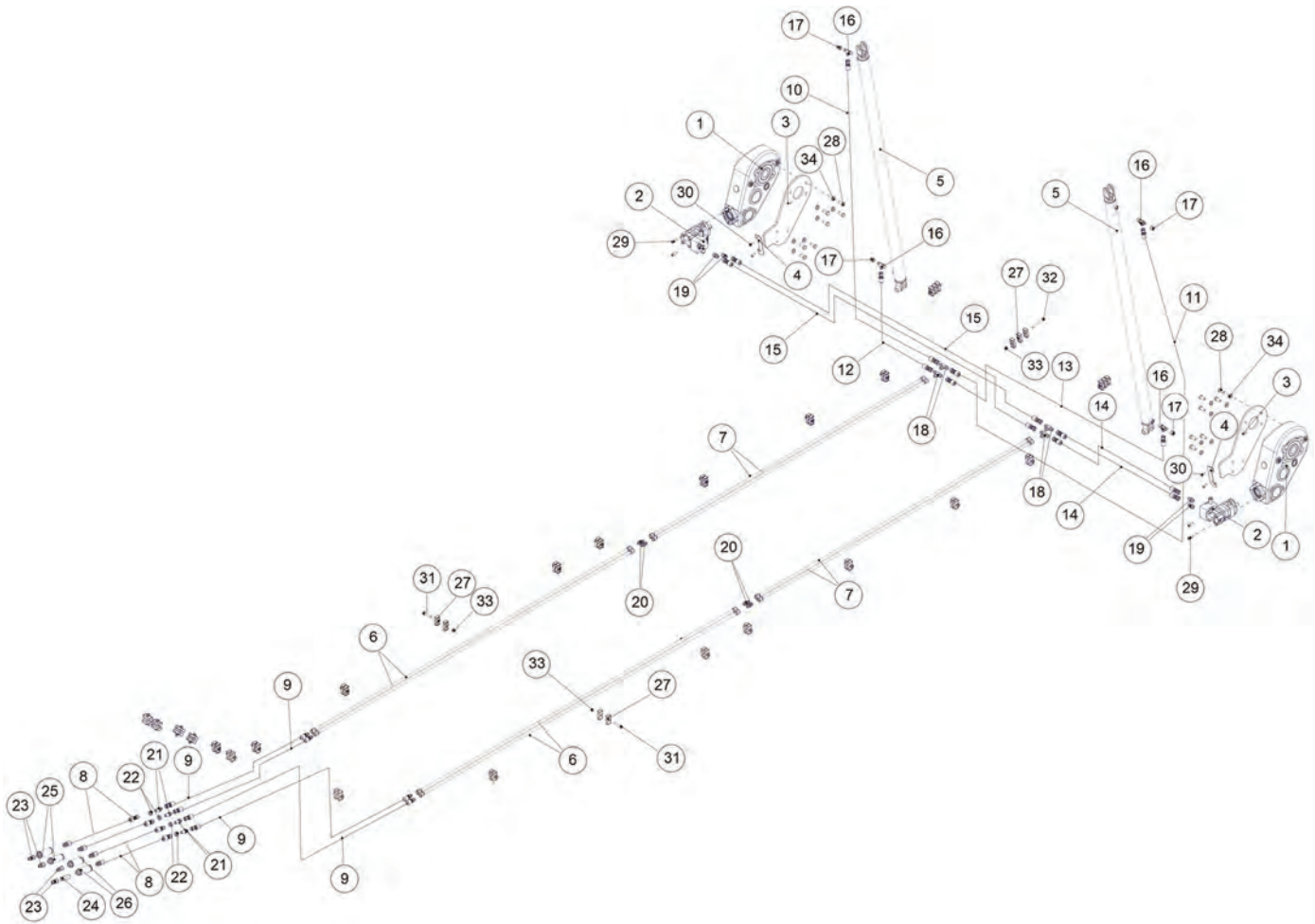
## BEATER PAN & COMPONENTS







# FIGURE 13 HYDRAULICS





# FIGURE 13

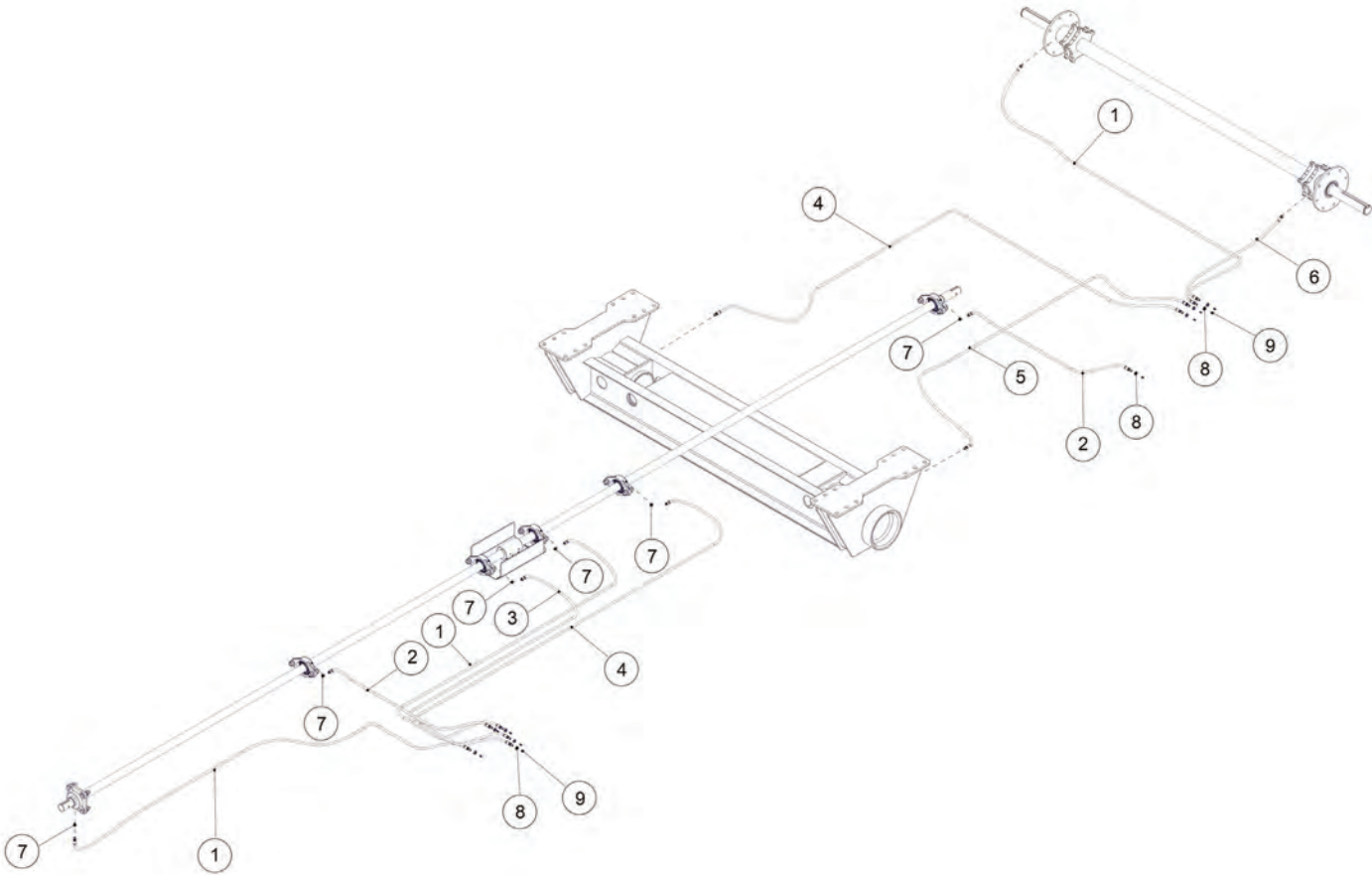
## HYDRAULICS

| REF # | PART #    | DESCRIPTION                                | QTY |
|-------|-----------|--|-----|
| 1     | 91430     | GEARBOX ASSY                               | 2   |
| 2     | 95168     | HYDRAULIC MOTOR                            | 2   |
| 3     | 91690     | GEARBOX PLATE                              | 2   |
| 4     | 92689     | GEARBOX STOP PLATE                         | 2   |
| 5     | 88127     | HYDRAULIC CYLINDER, 2.5 X 72               | 2   |
| 6     | 88529     | HYDRAULIC TUBE, 5/8 X 119                  | 4   |
| 7     | 94874     | HYDRAULIC TUBE, 5/8 X 102                  | 4   |
| 8     | 92769     | HYDRAULIC HOSE, 8, 72                      | 4   |
| 9     | 92765     | HYDRAULIC HOSE, 8, 116                     | 4   |
| 10    | 92728     | HYDRAULIC HOSE, 8, 119                     | 1   |
| 11    | 92731     | HYDRAULIC HOSE, 8, 162                     | 1   |
| 12    | 92729     | HYDRAULIC HOSE, 8, 40                      | 1   |
| 13    | 92734     | HYDRAULIC HOSE, 8, 82                      | 1   |
| 14    | 92740     | HYDRAULIC HOSE, 8, 25                      | 2   |
| 15    | 92741     | HYDRAULIC HOSE, 8, 66                      | 2   |
| 16    | 77465     | FITTING, T, 8 JIC, 8 ORB, 8 JIC, STL       | 4   |
| 17    | 58163     | JIC CAP                                    | 4   |
| 18    | 81633     | FITTING, T, 10JIC, 10JIC, 10JIC, ST        | 4   |
| 19    | GM57      | FITTING, STRAIGHT, 10JIC, 10ORB, STL       | 4   |
| 20    | 83779     | FITTING, STRAIGHT, 10 JIC, 10JIC           | 4   |
| 21    | 59448     | FITTING, STRAIGHT, 8JIC, 8JIC, BULKHEAD    | 4   |
| 22    | YNJM24012 | NUT JAM, 3/4 A                             | 4   |
| 23    | 67148     | FITTING, STRAIGHT, 8ORB, QUICK COUPLER TIP | 4   |
| 24    | 92767     | HYDRAULIC VALVE, CHECK                     | 1   |
| 25    | 94024     | HOSE GRIPS, BLACK                          | 2   |
| 26    | 94023     | HOSE GRIPS, RED                            | 2   |
| 27    | 86567     | DOUBLE CLAMP, UNIVERSAL                    | 53  |
| 28    | YBHH82035 | BOLT HEX, M16-2 X 35 10.9 ZC               | 14  |
| 29    | YSHM78030 | BOLT SOCKET, M12-1.75 X3 0 8.8 BO          | 4   |
| 30    | YBHH12010 | BOLT HEX, 3/8 X 1 G5                       | 4   |
| 31    | YBFB12250 | BOLT FLANGE, 3/8 X 2-1/2 G5                | 21  |
| 32    | YBFB12400 | BOLT FLANGE, 3/8 X 4 G5                    | 3   |
| 33    | YNFG12006 | NUT FLANGE, 3/8 GF                         | 24  |
| 34    | YWLO24005 | WASHER, LOCK, 3/4                          | 14  |
|       |           |  |     |
|       |           |  |     |
|       |           |  |     |





**FIGURE 14**  
**GREASE LINES**

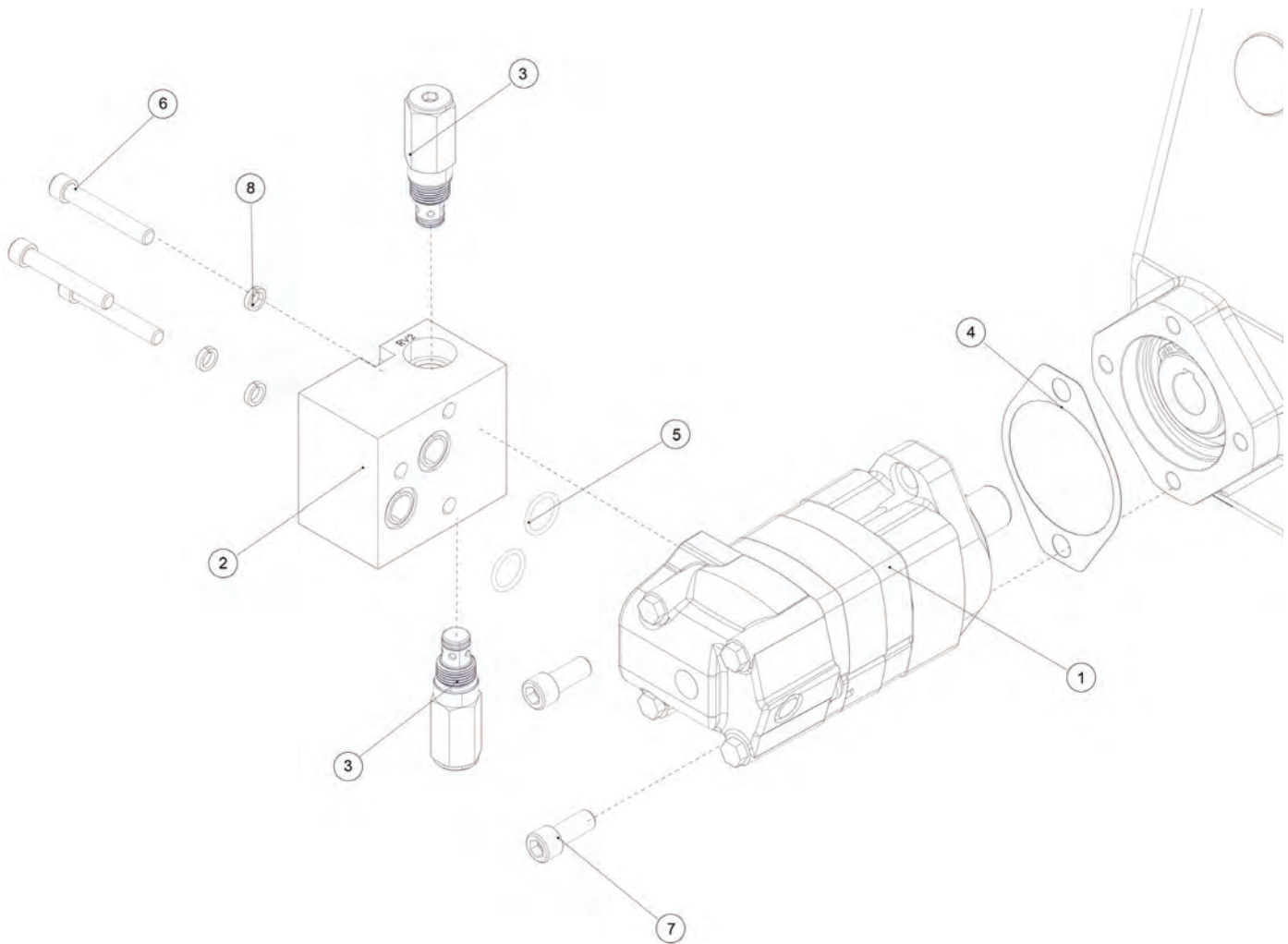






# FIGURE 15

## HYDRAULIC MOTOR & COMPONENTS



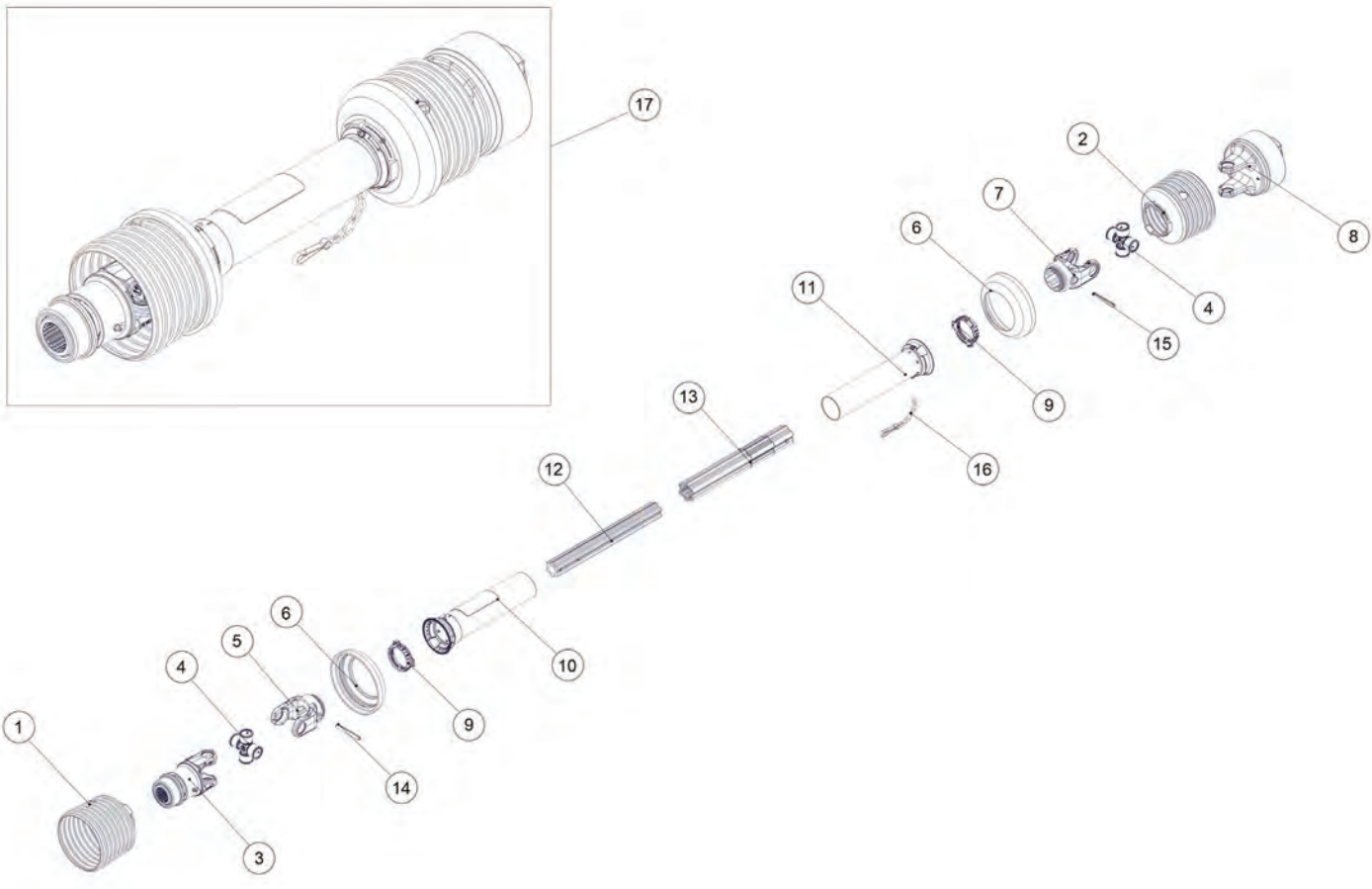




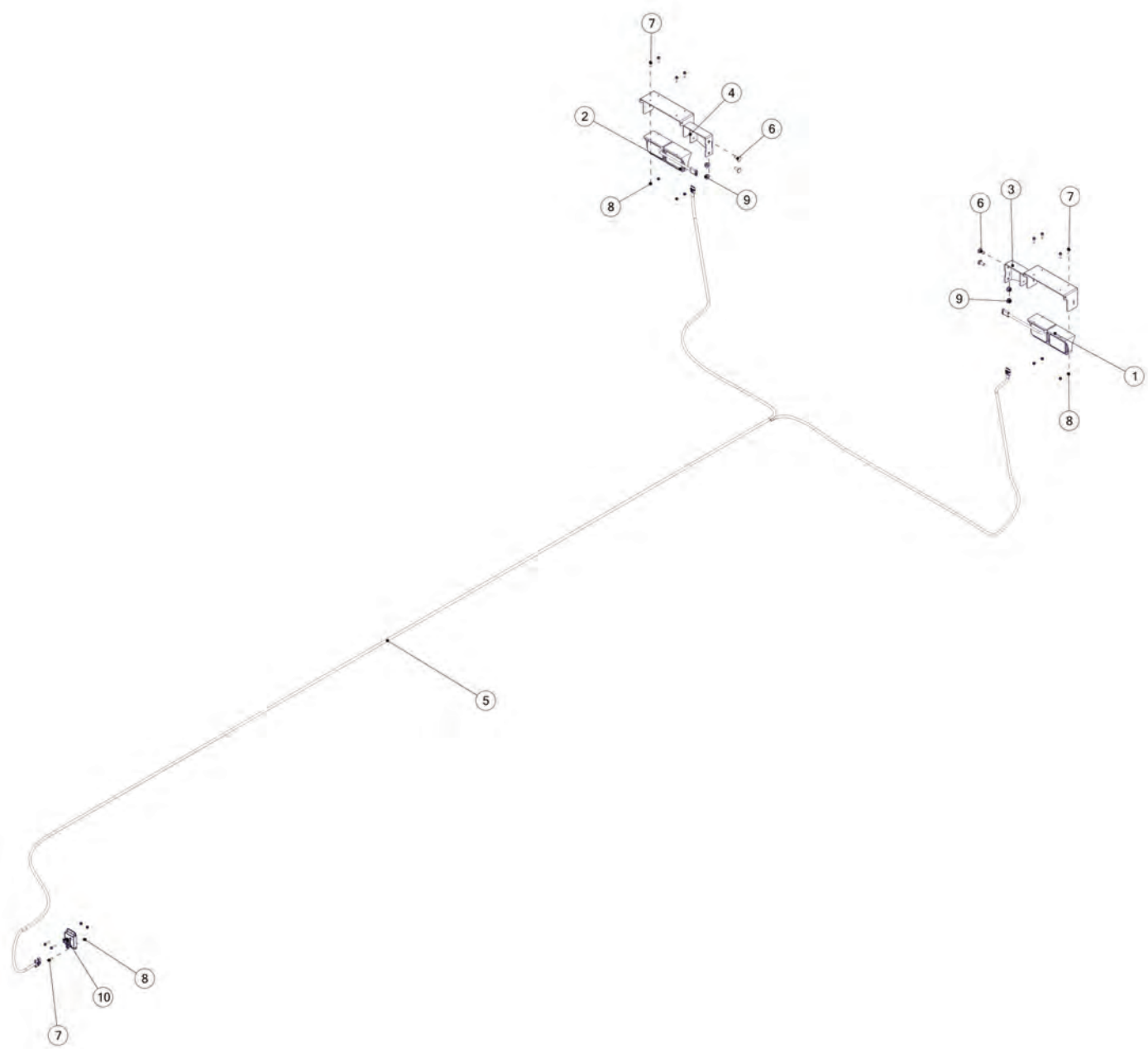


# FIGURE 16

## PTO & COMPONENTS





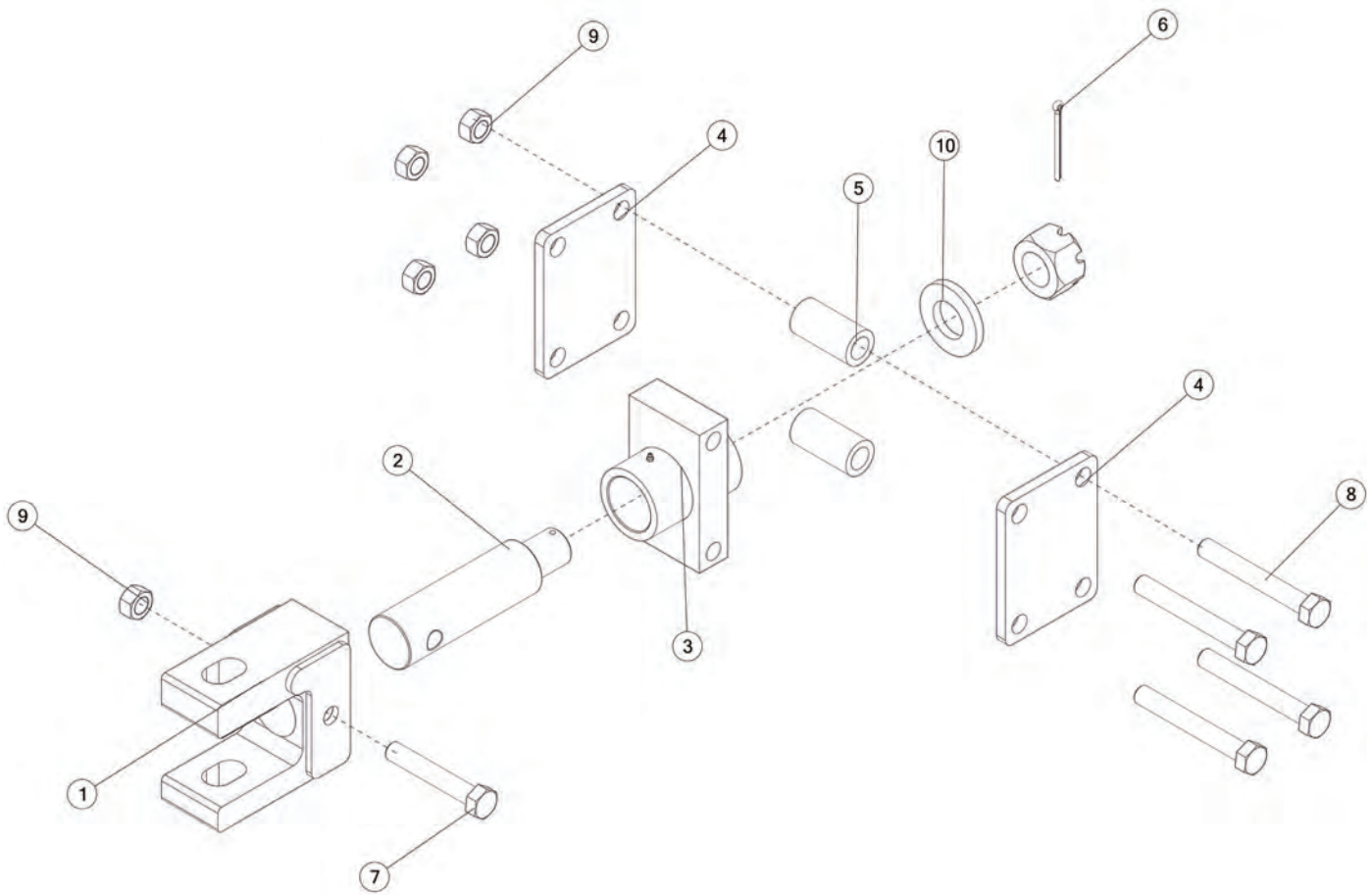






# FIGURE 18

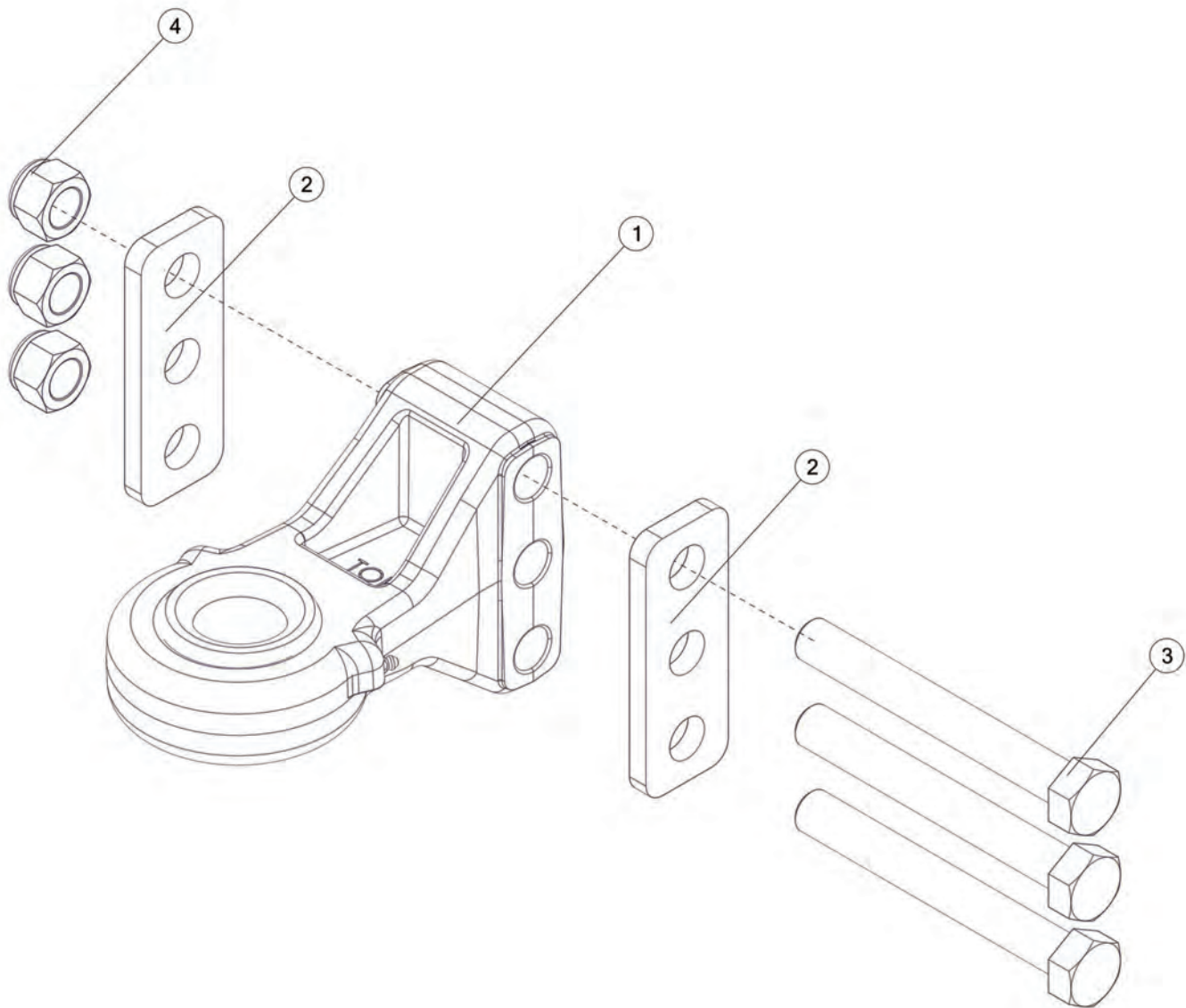
## OPTIONAL CHOSCH SWIVEL DOUBLE CLEVIS HITCH







**FIGURE 19**  
OPTIONAL HTCHB4  
CATEGORY 4 BULLNOSE HITCH



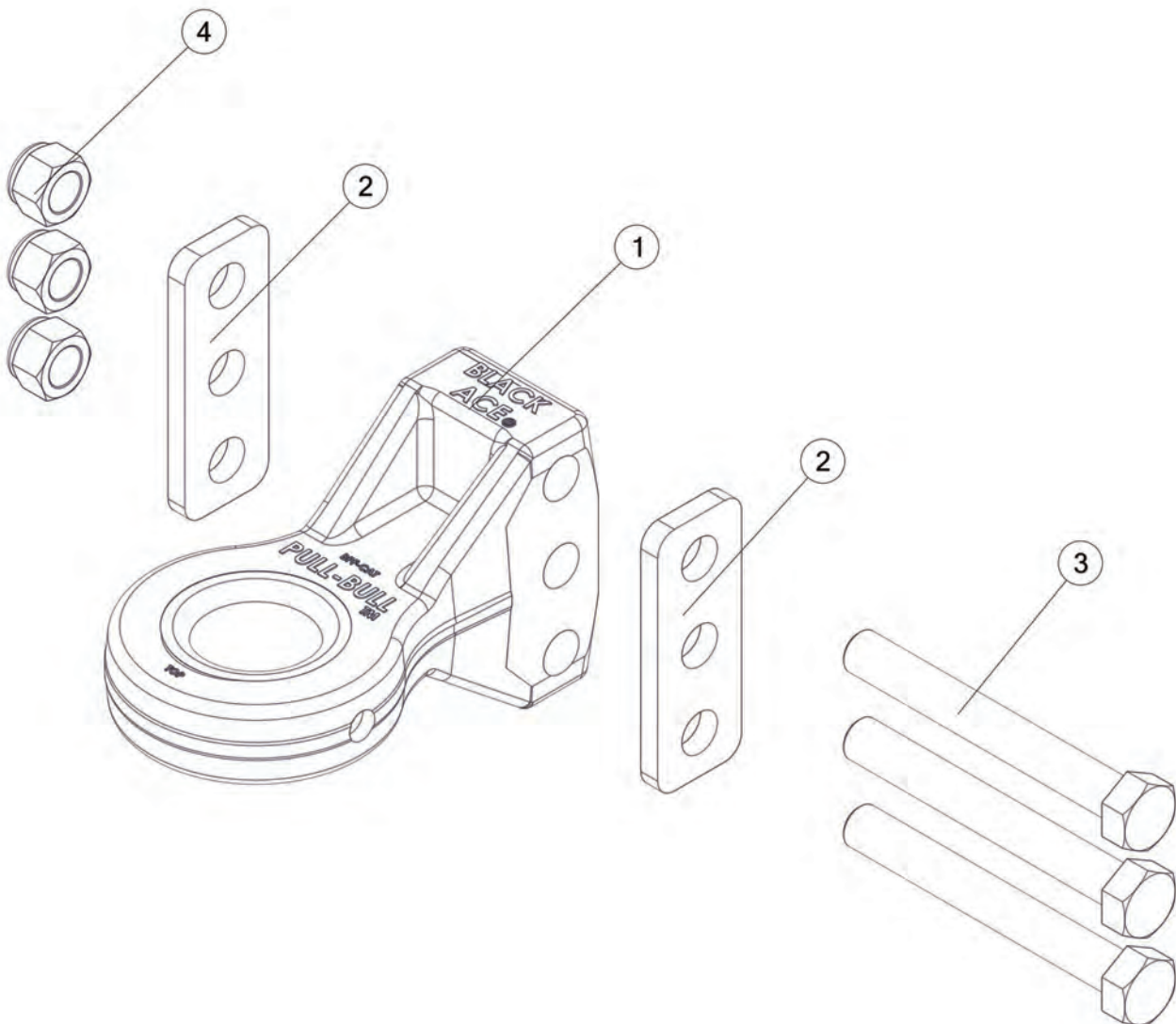






# FIGURE 20

OPTIONAL HTCHB5  
CATEGORY 5 BULLNOSE HITCH

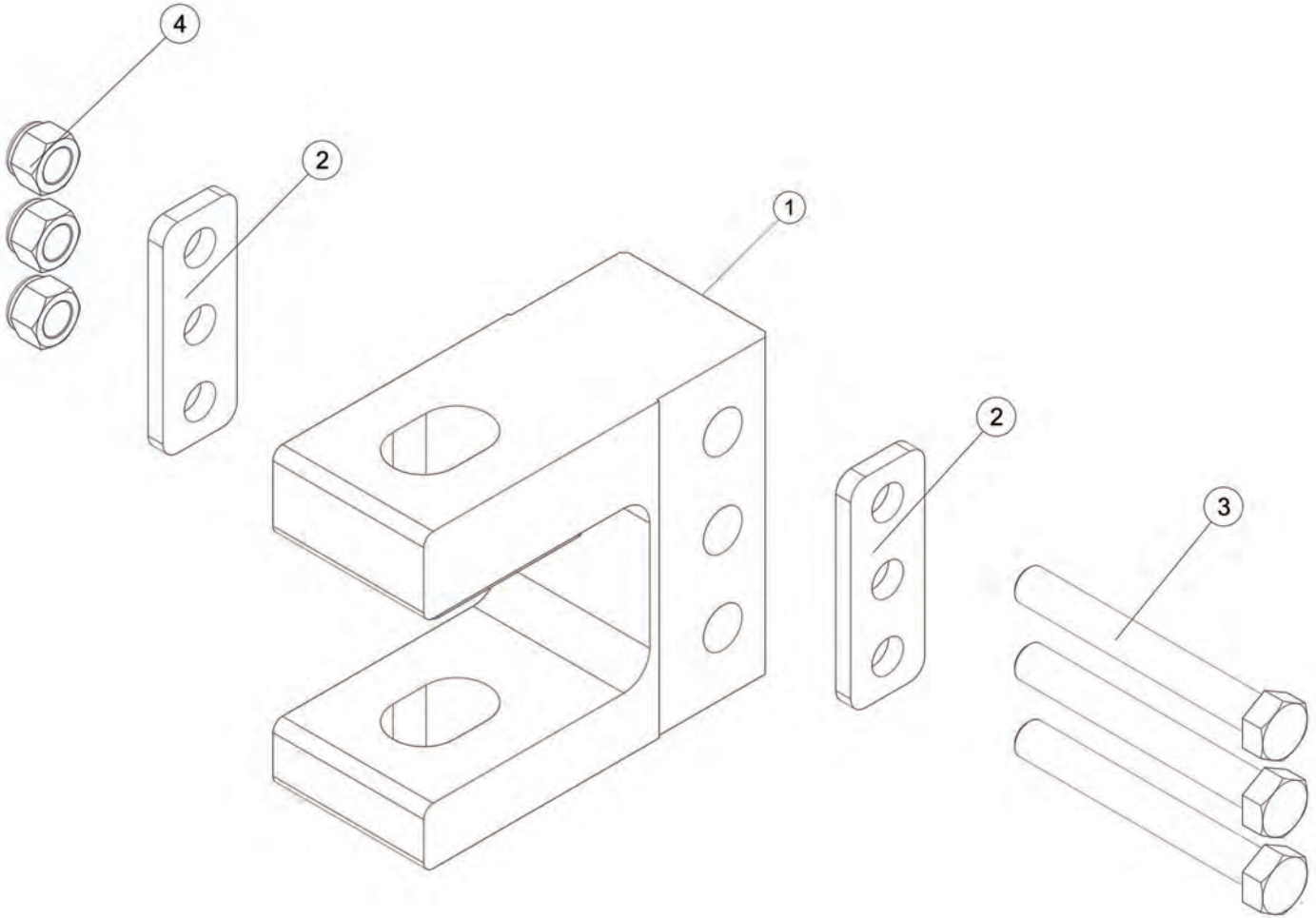




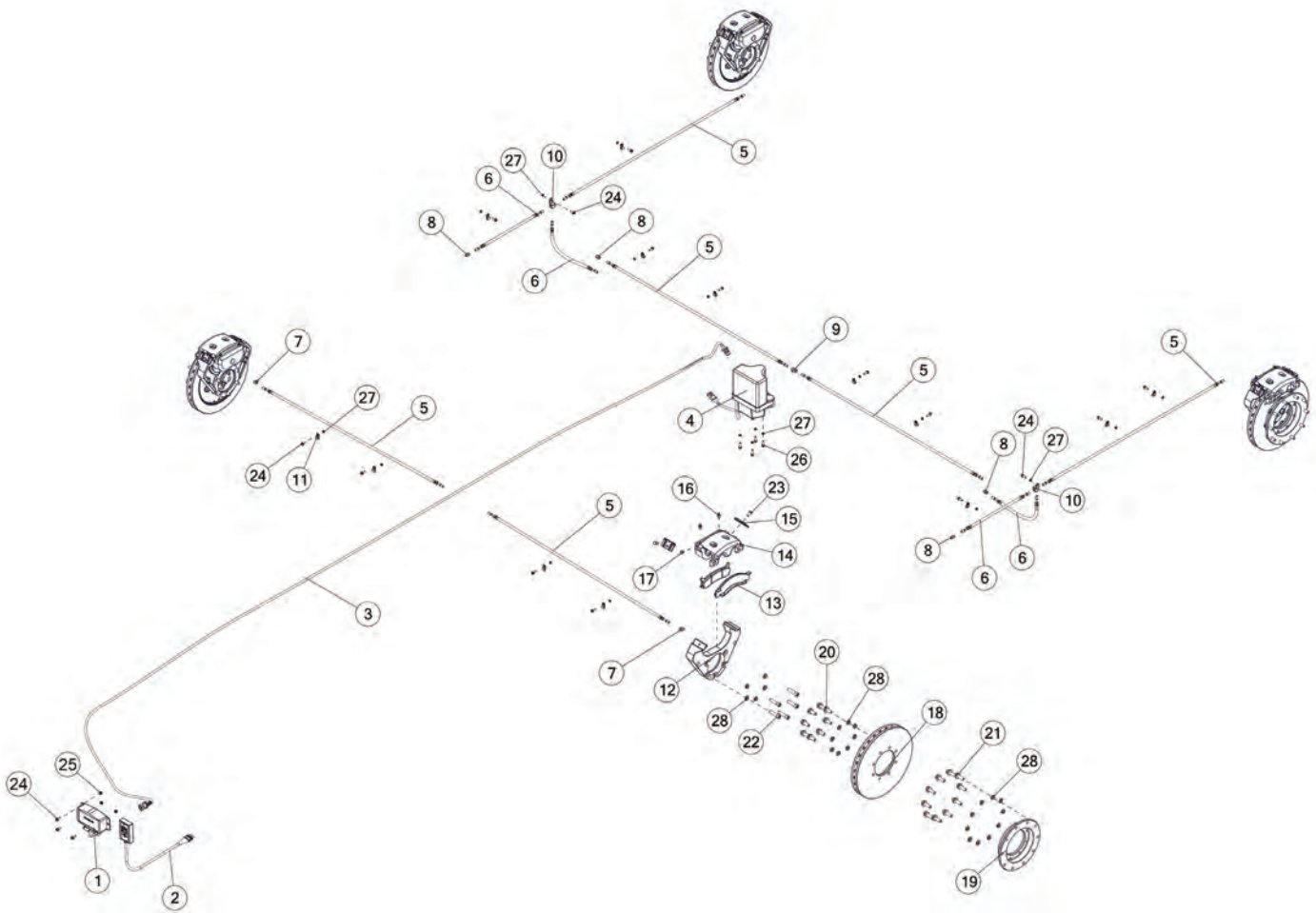


# FIGURE 21

OPTIONAL HTCHC  
CLEVIS HITCH



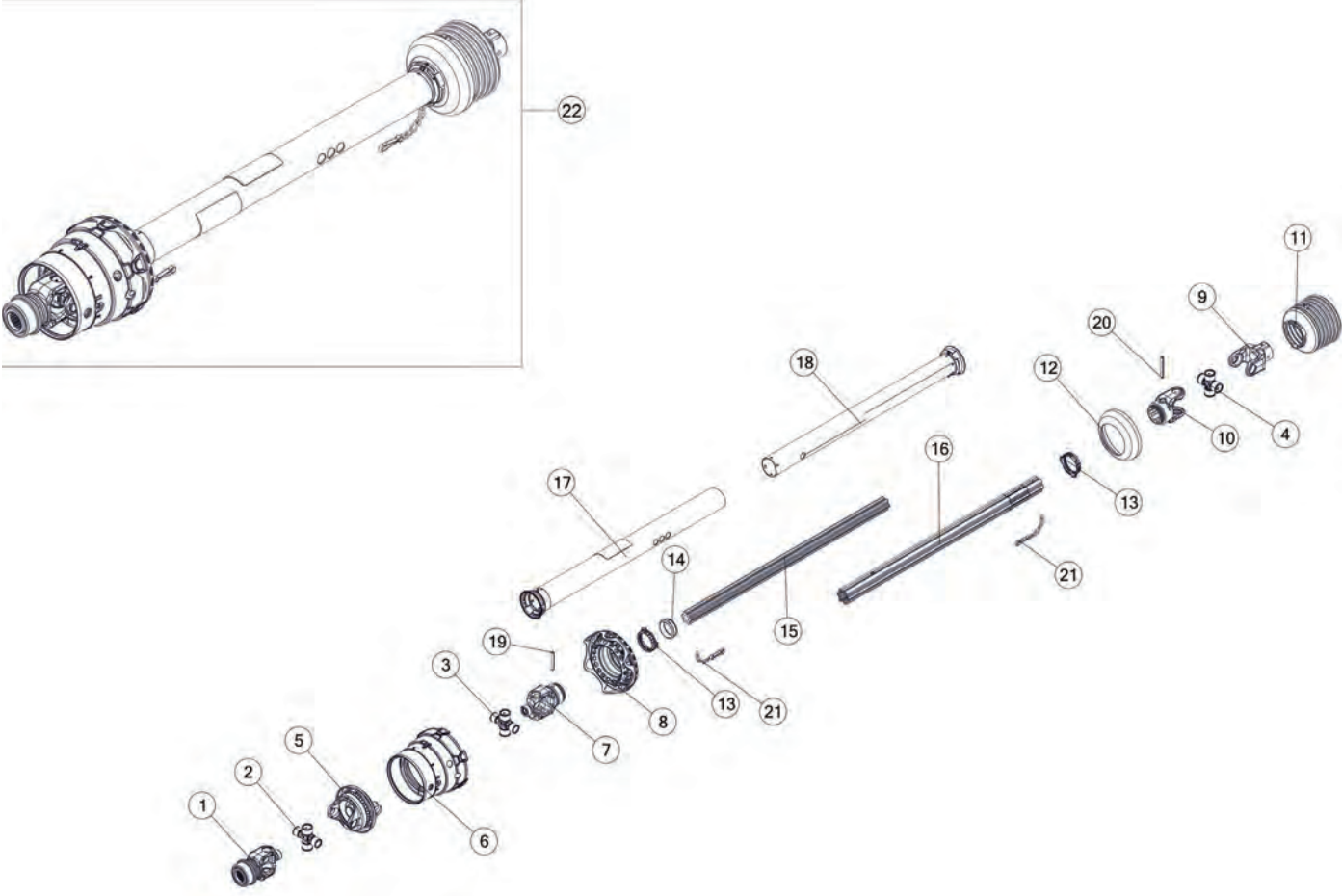








**FIGURE 23**  
OPTIONAL PSO1034CVP  
1-3/4" 1000 RPM CV PTO

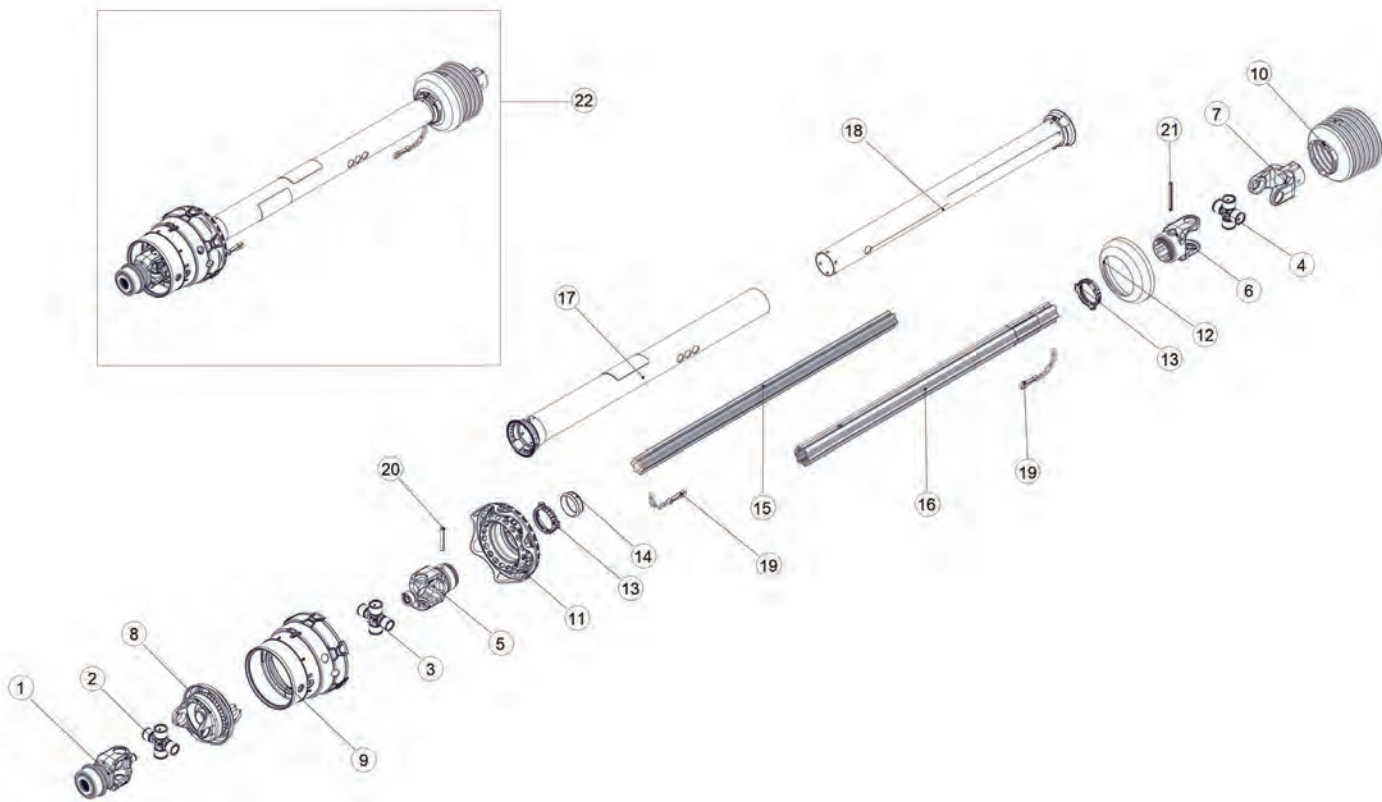




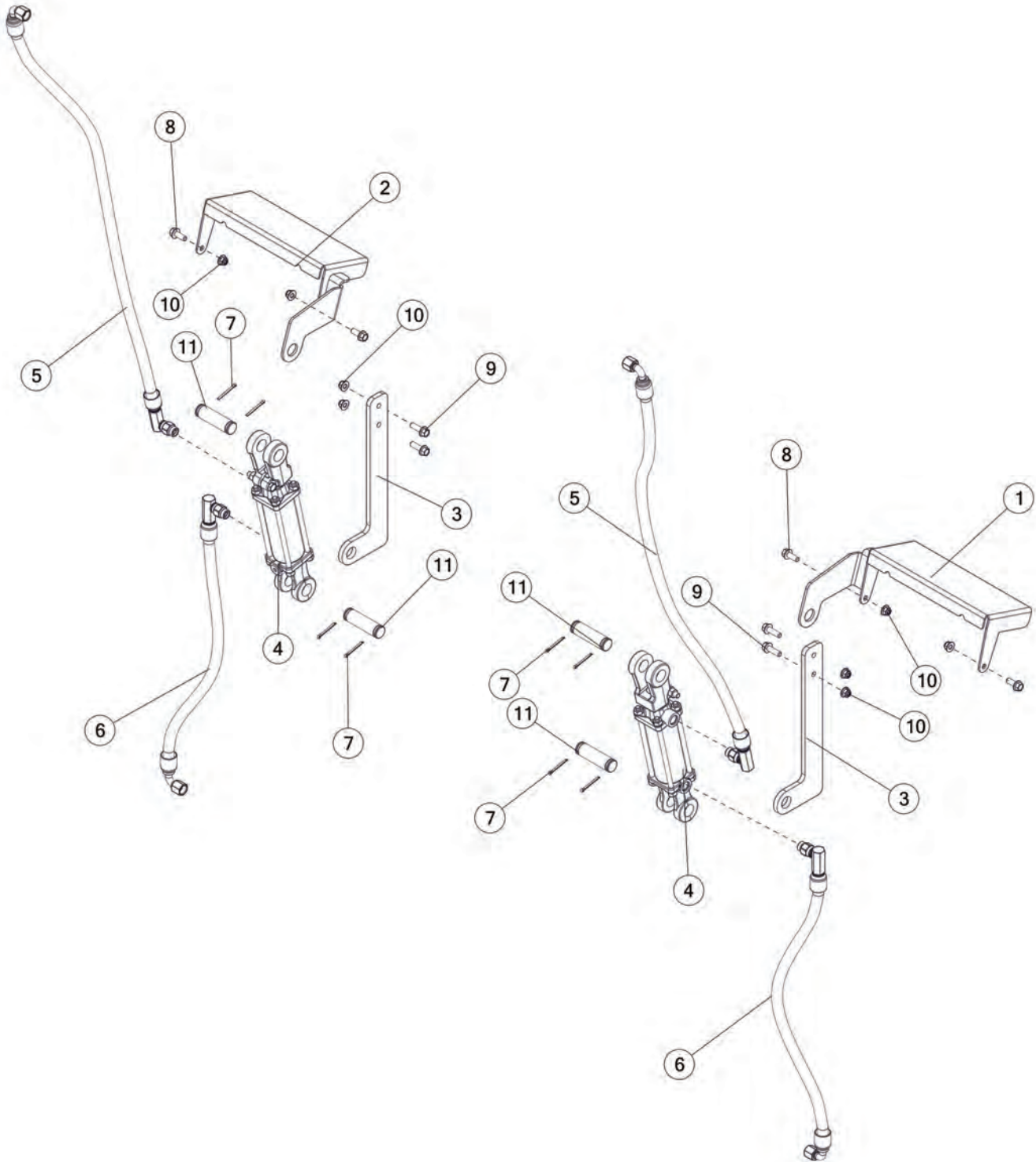




**FIGURE 24**  
OPTIONAL PSO1038CVP  
1-3/8" 1000 RPM CV PTO





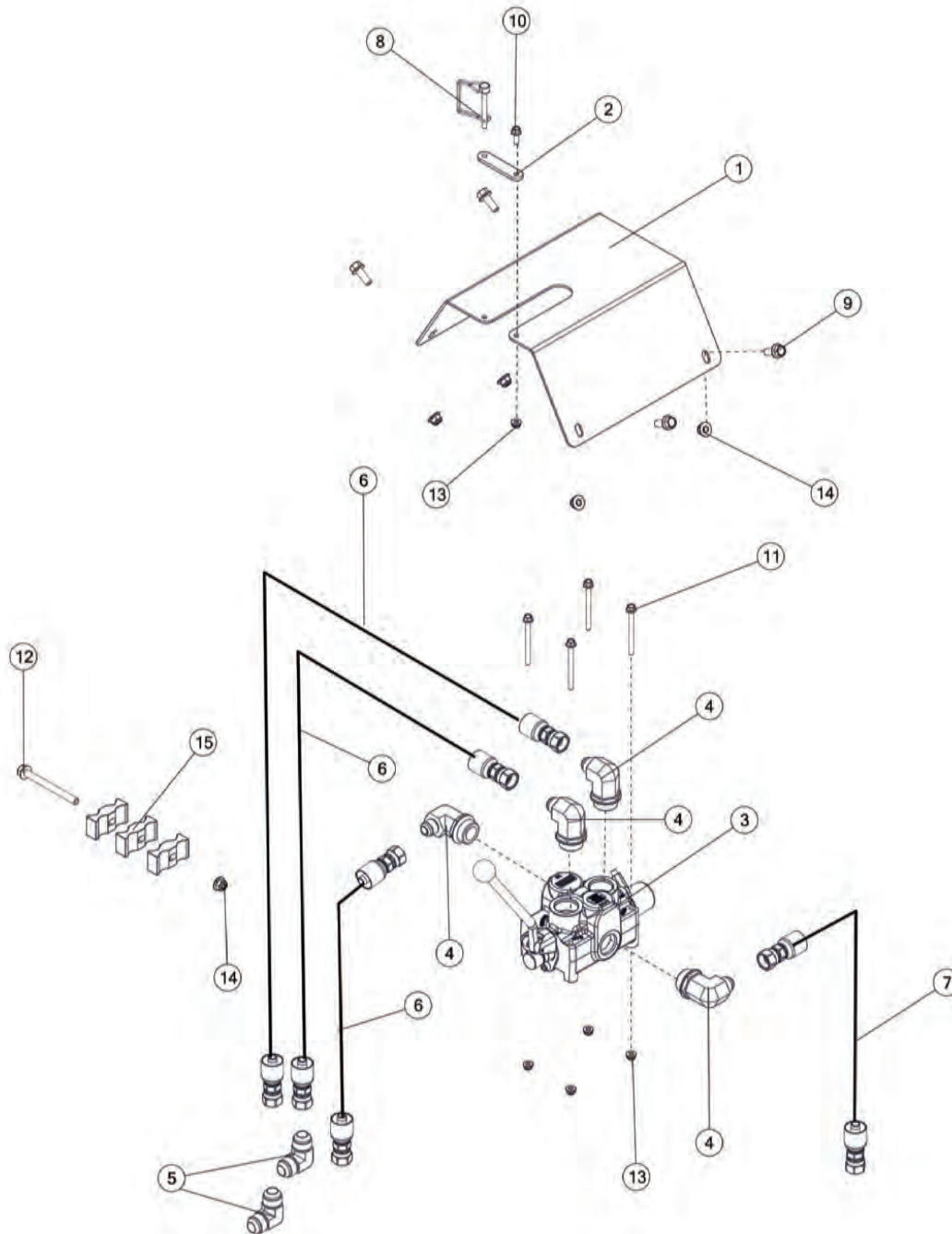






# FIGURE 26

## OPTIONAL PSORVP REVERSER VALVE PACKAGE

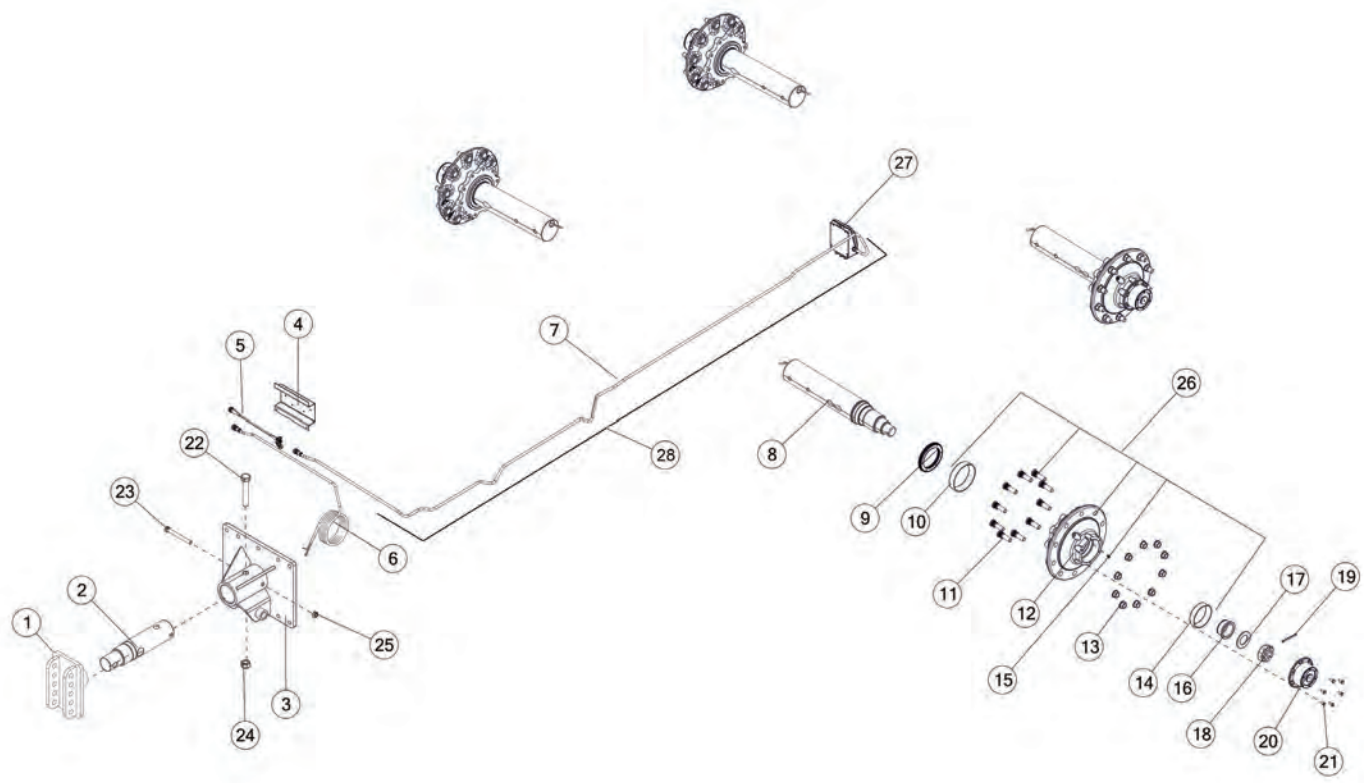






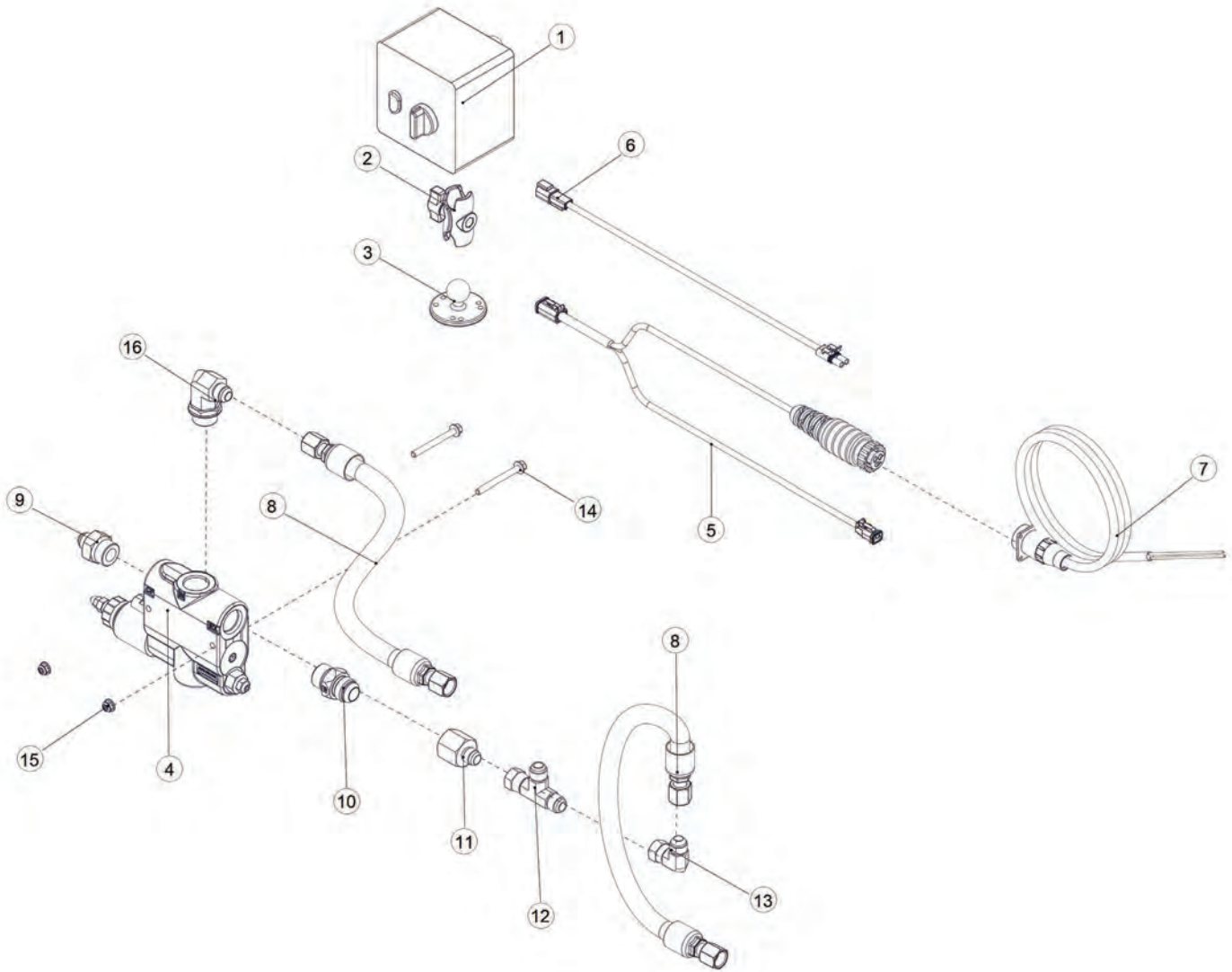
# FIGURE 27

OPTIONAL PSOS800  
5-POINT SCALE





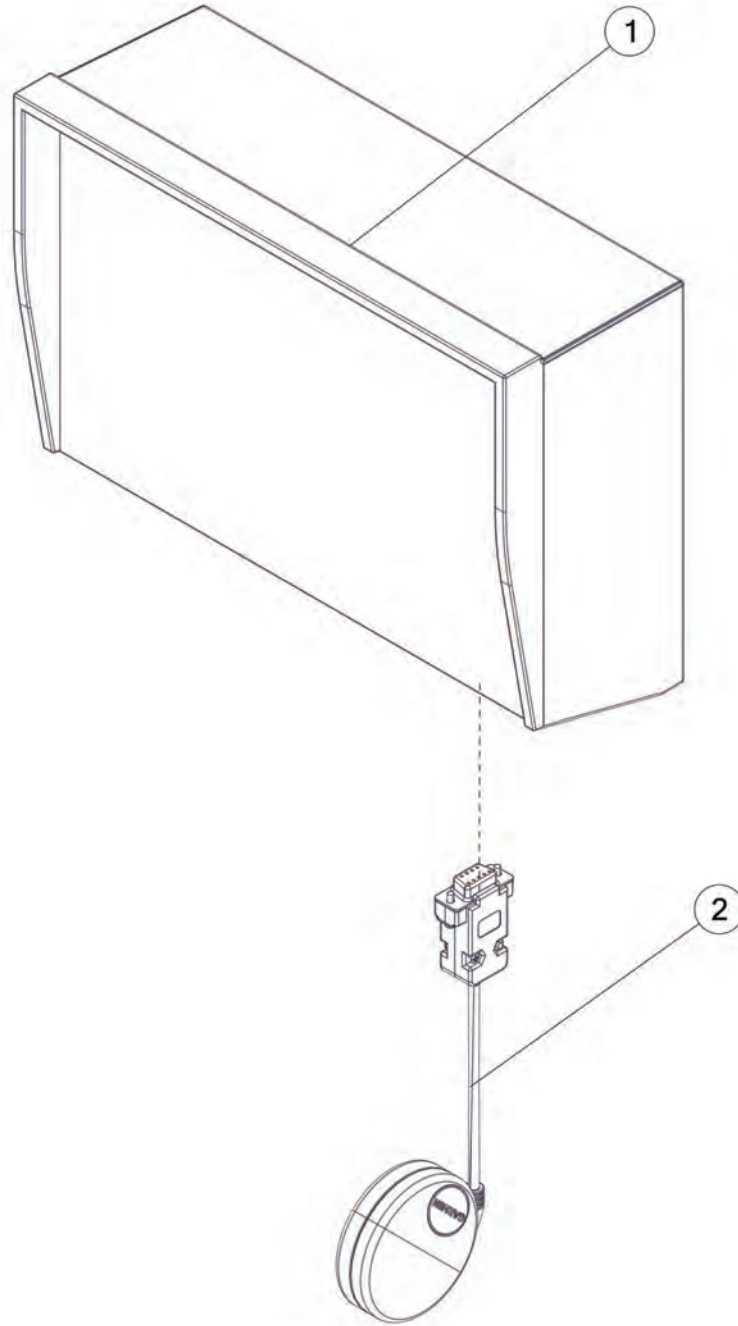








**FIGURE 29**  
OPTIONAL TSOGP - SCALE DISPLAY W/GPS  
FACTORY INSTALLED W/SCALE SYSTEM

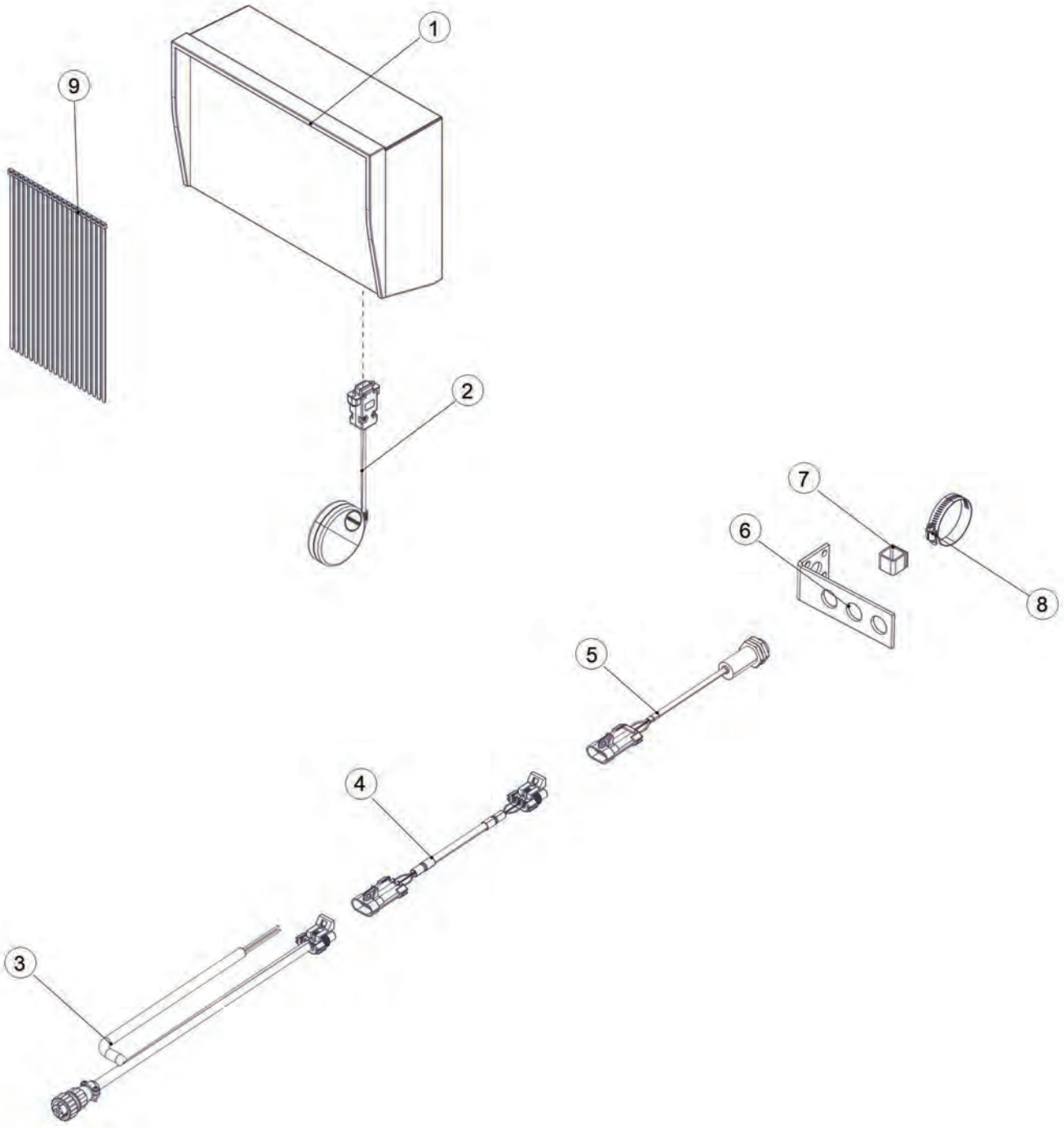






# FIGURE 30

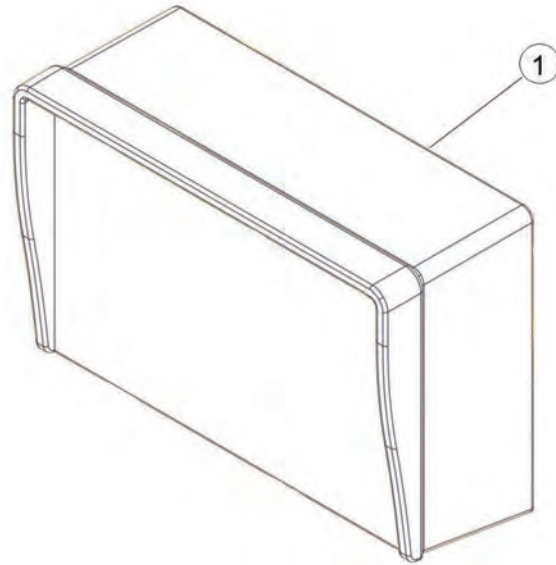
OPTIONAL TSOALOG - KIT-NT560 AUTOLOG  
FACTORY INSTALLED W/ SCALE SYSTEM







**FIGURE 31**  
**OPTIONAL TSOW - SCALE DISPLAY**  
**FACTORY INSTALLED W/SCALE SYSTEM**



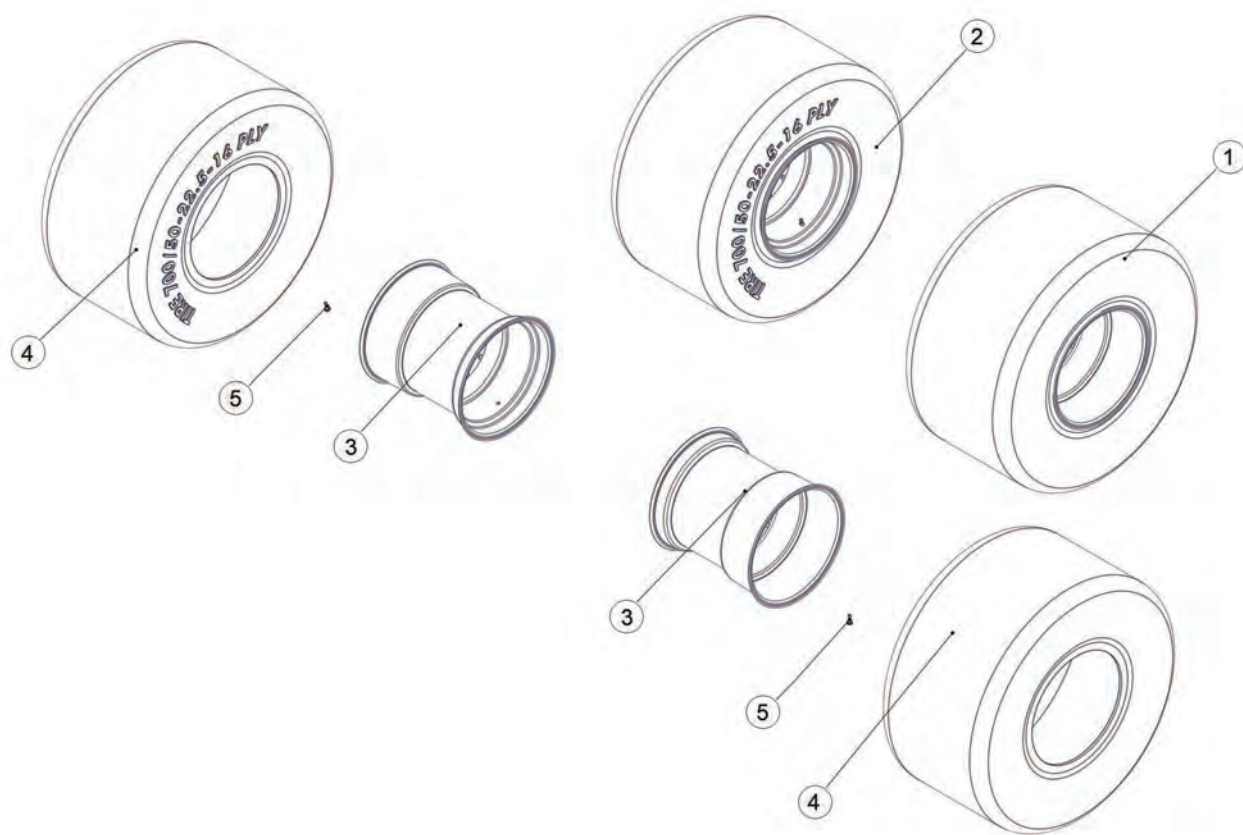






# FIGURE 32

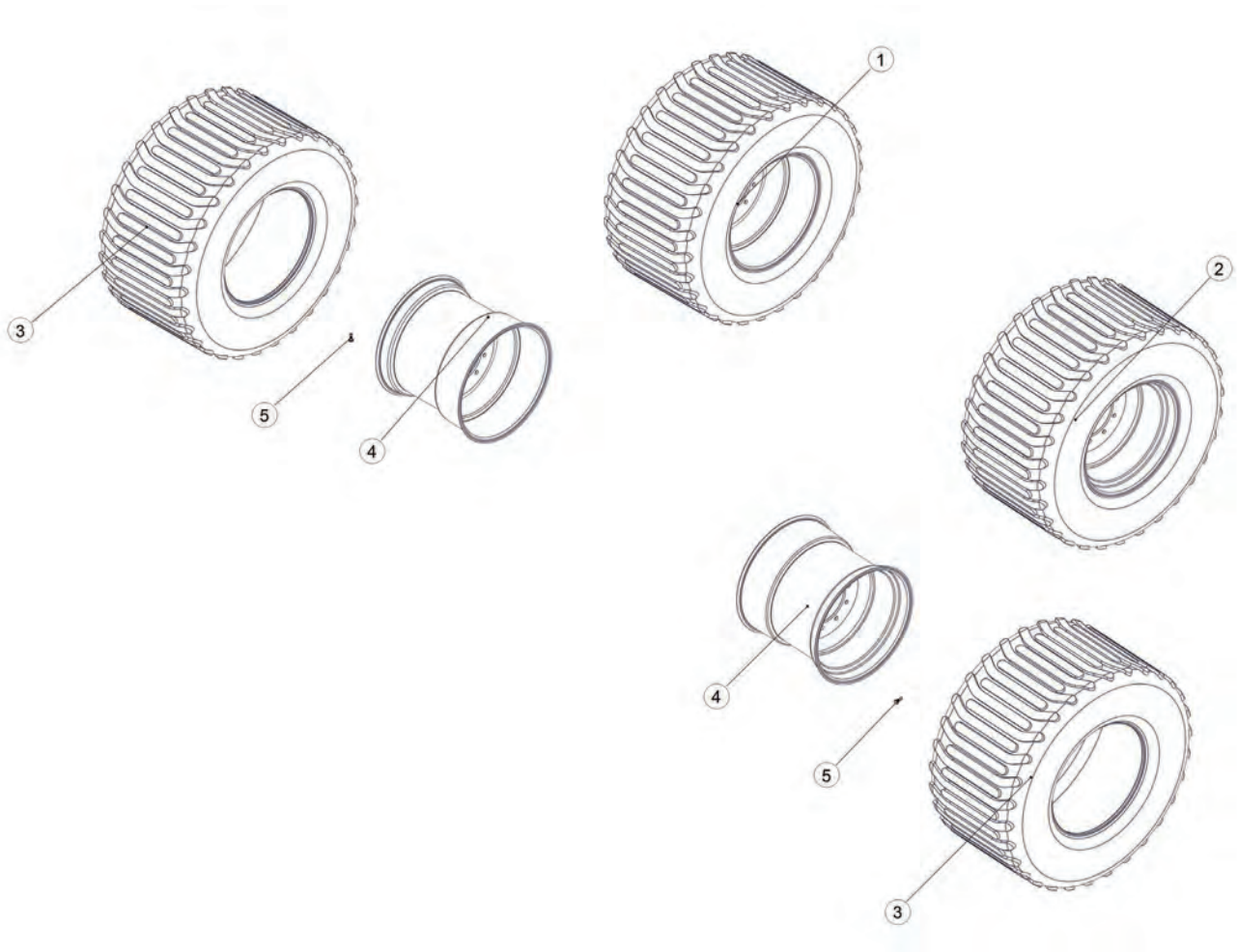
OPTIONAL TWP700S  
(4) 700/50 X 22.5 FLOTATION TIRES/RIMS







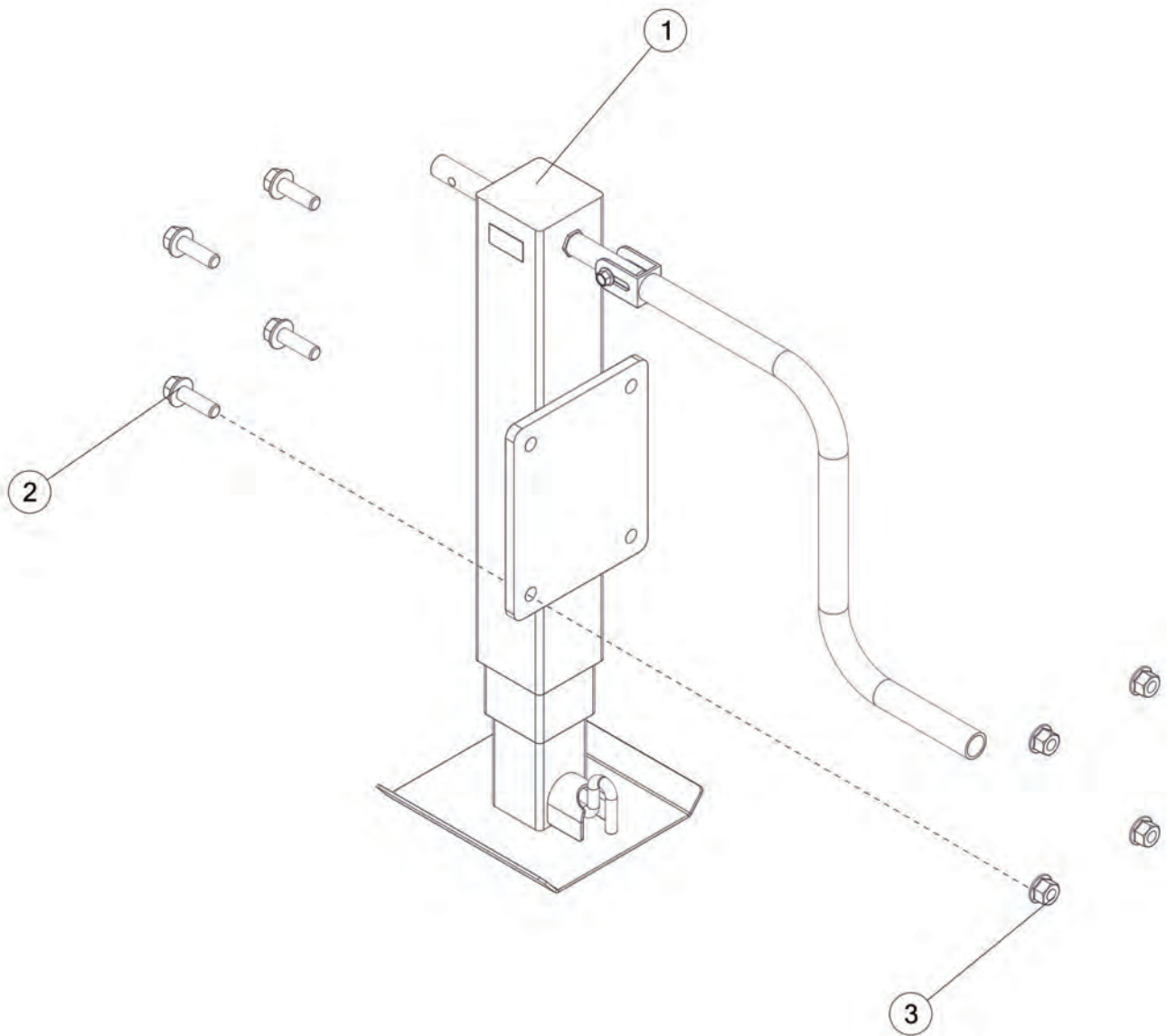
**FIGURE 33**  
OPTIONAL TWP70026S  
(4) 700/50 X 26.5 FLOTATION TIRES/RIMS



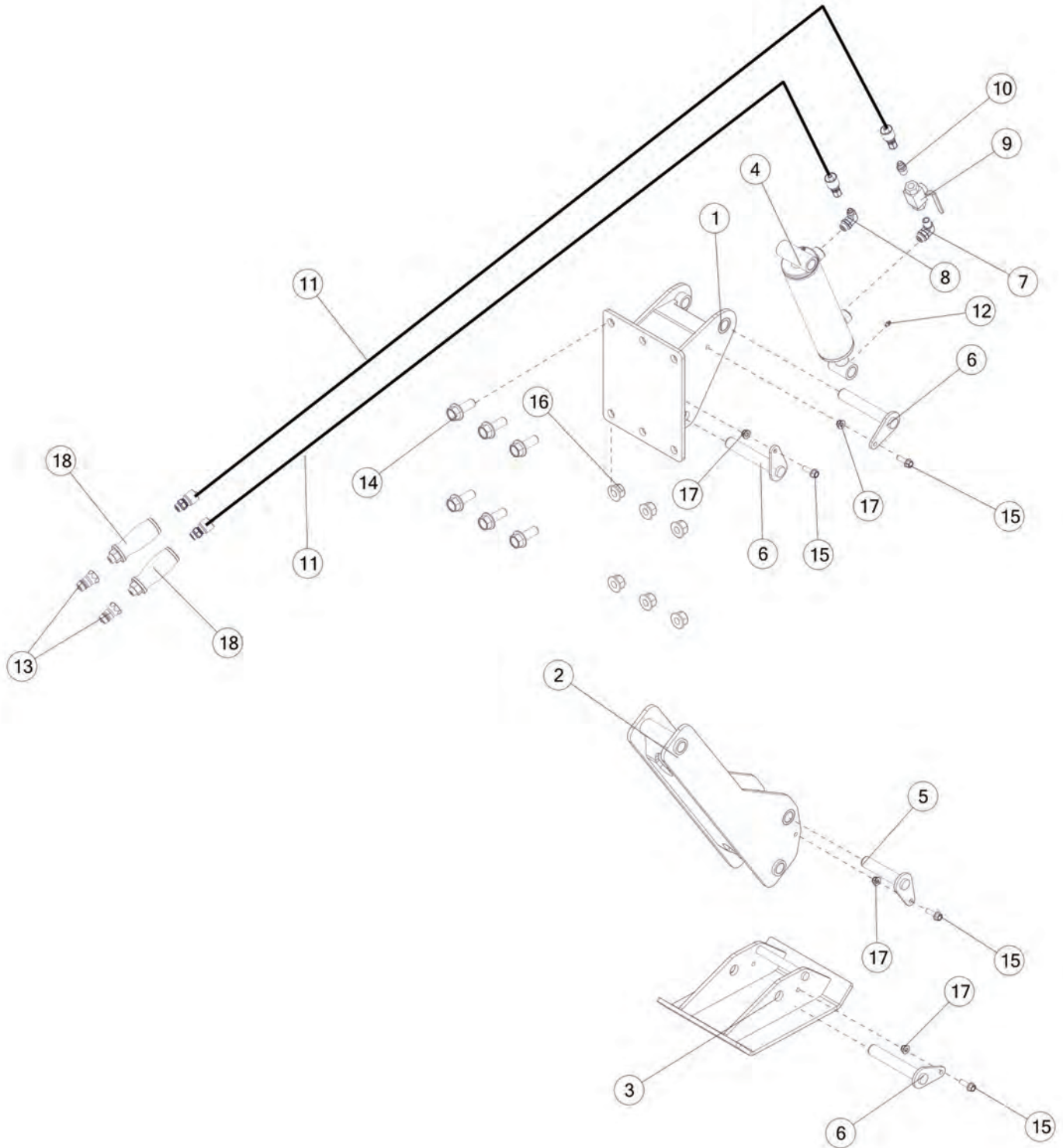




**FIGURE 34**  
OPTIONAL PSOCJACK  
CRANK JACK















H&S MFG. CO.  
products approved  
for the  
FEMA  
SEAL OF QUALITY



Manufactured by:  
H&S MANUFACTURING CO., INC.  
2608 S. HUME AVE. MARSHFIELD, WI 54449  
(715) 387-3414 | hsmfgco.com

