

# H&S

# PARTS BOOK

## 7117

# ROLLER MILL



Revision #00 TEMP BOOK  
Starting Ser. #121RM71001

HSMFG1120

PART #90265

Manufactured by  
**H&S MANUFACTURING CO., INC.**  
2608 S. HUME AVE. MARSHFIELD, WI 54449  
(715) 387-3414 | hsmfgco.com



# CONTENTS

Instructions for Ordering Parts . . . . .	1
Figure 1 - Hitch and Jack Components. . . . .	2-3
Figure 2 - Front Shield and Components . . . . .	4-5
Figure 3 - Flywheel and Components . . . . .	6-7
Figure 4 - Roller Chain and Components . . . . .	8-9
Figure 5 - Fender and Tank Support RH . . . . .	10-11
Figure 6 - Fender and Tank Support LH . . . . .	12-13
Figure 7 - Wheel and Hub Assembly . . . . .	14-15
Figure 8 - Hopper and Components . . . . .	16-17
Figure 9 - Tank Cover and Components . . . . .	18-19
Figure 10 - Tank Windows and Components . . . . .	20-21
Figure 11 - Mixing Auger and Components . . . . .	22-23
Figure 12 - Yoke and Tube and Components . . . . .	24-25
Figure 13 - Ladder and Components . . . . .	26-27
Figure 14 - Unloading Auger and Components. . . . .	28-29
Figure 15 - Vertical Auger Tube and Components . . . . .	30-31
Figure 16 - Vertical Auger and Components . . . . .	32-33
Figure 17 - Auger Housing and Components . . . . .	34-35
Figure 18 - Gate and Components . . . . .	36-37
Figure 19 - Horizontal Auger and Components . . . . .	38-39
Figure 20 - Transfer Auger and Components . . . . .	40-41
Figure 21 - Hydraulics . . . . .	42-45
Figure 22 - Hydraulic Tank . . . . .	46-47
Figure 23 - 6' Folding Extension Option. . . . .	48-49
Figure 24 - 3' Folding Extension Option. . . . .	50-51
Figure 25 - Rear Supplement Hopper Option. . . . .	52-53
Figure 26 - 2500 Scale Option. . . . .	54-55
Figure 27 - 3410 Scale Option. . . . .	56-57
Figure 28 - Gearbox . . . . .	58-59
Figure 29 - Lights. . . . .	60-61
Figure 30 - 540 RPM PTO Option . . . . .	62-63
<b>ROLLER MILL . . . . .</b>	<b>64-83</b>
Figure 1 - Top Hopper . . . . .	66-67
Figure 2 - Top Hopper (Knob) . . . . .	68-69
Figure 3 - Roller Mill Upper Half . . . . .	70-71
Figure 4 - Worm Drive Roll Adjustment . . . . .	72-73
Figure 5 - Roll Drive Rear . . . . .	74-75
Figure 6 - Feed Auger Assembly . . . . .	76-77
Figure 7 - Crank Assembly . . . . .	78-79
Figure 8 - Feed Auger Hydraulics . . . . .	80-81
Figure 9 - Roll Bushing Assembly B-Loc Bushing . . . . .	82-83

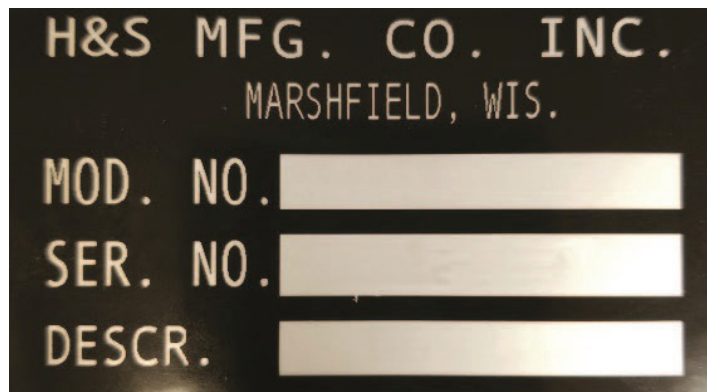
# **INSTRUCTIONS FOR ORDERING PARTS**

All service parts should be ordered through your authorized H&S dealer. Your Dealership will be able to give you faster service if you will provide them with the following:

1. Model & Serial Number - Both can be located the bottom of front guard.
2. All references to left or right apply to the machine as viewed from the rear.
3. Parts should not be ordered from illustration only. Please order complete part number.
4. If your dealer has to order parts - give shipping instructions:

VIA truck - large pieces (please specify local truck lines)

VIA United Parcel Service (include full address)



H&S MFG. CO. INC.  
MARSHFIELD, WIS.

MOD. NO.

SER. NO.

DESCR.

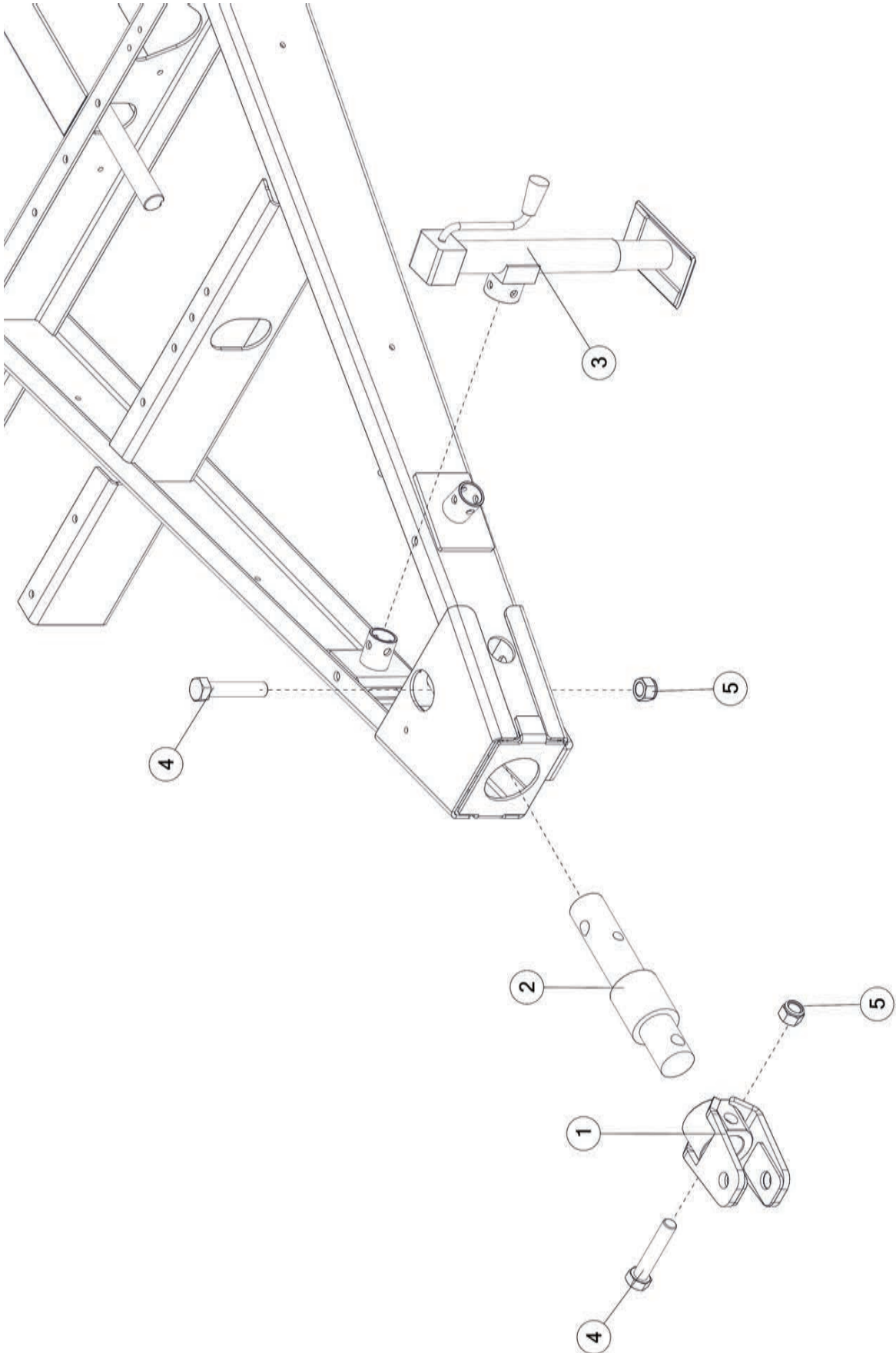
PLEASE RECORD NUMBERS FOR YOUR UNIT FOR QUICK REFERENCE

## **ABOUT IMPROVEMENTS**

H&S IS CONTINUALLY STRIVING TO IMPROVE ITS PRODUCTS

We must, therefore, reserve the right to make improvements or changes whenever it becomes practical to do so, without incurring any obligation to make changes or additions to the equipment previously sold.

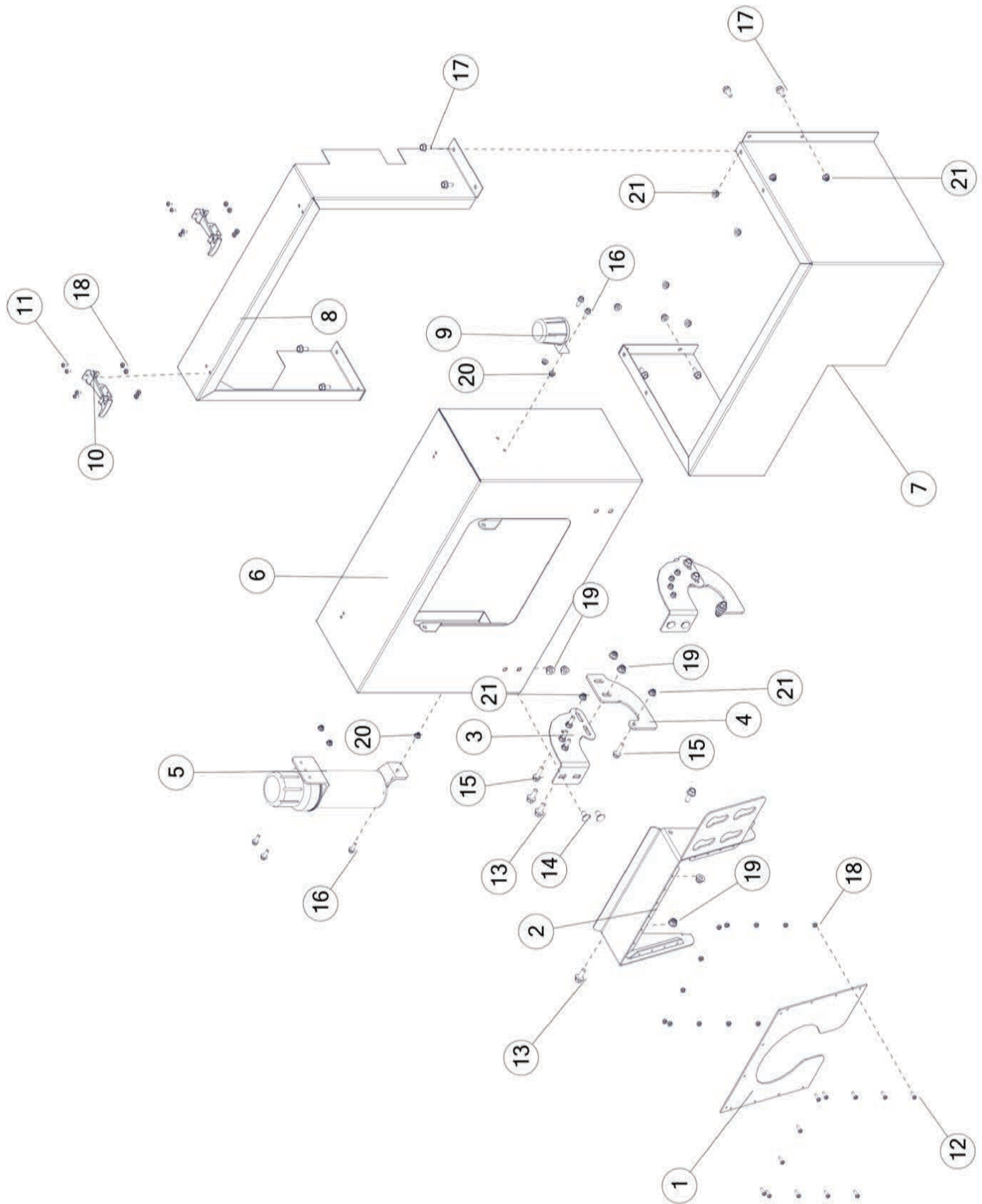
# **FIGURE 1** **HITCH AND JACK COMPONENTS**



**FIGURE 1**  
**HITCH AND JACK COMPONENTS**

<b><u>ITEM</u></b>	<b><u>QTY</u></b>	<b><u>PART#</u></b>	<b><u>DESCRIPTION</u></b>
1	1	GM74	CLEVIS HITCH
2	1	GM403	HITCH LOAD CELL
3	1	GM396	JACK
4	2	YBHH32020	BOLT HEX, 1 X 5 G5
5	2	YNNY32005	NUT HEX, NYLON LOCKNUT, 1

**FIGURE 2**  
**FRONT SHIELD AND COMPONENTS**

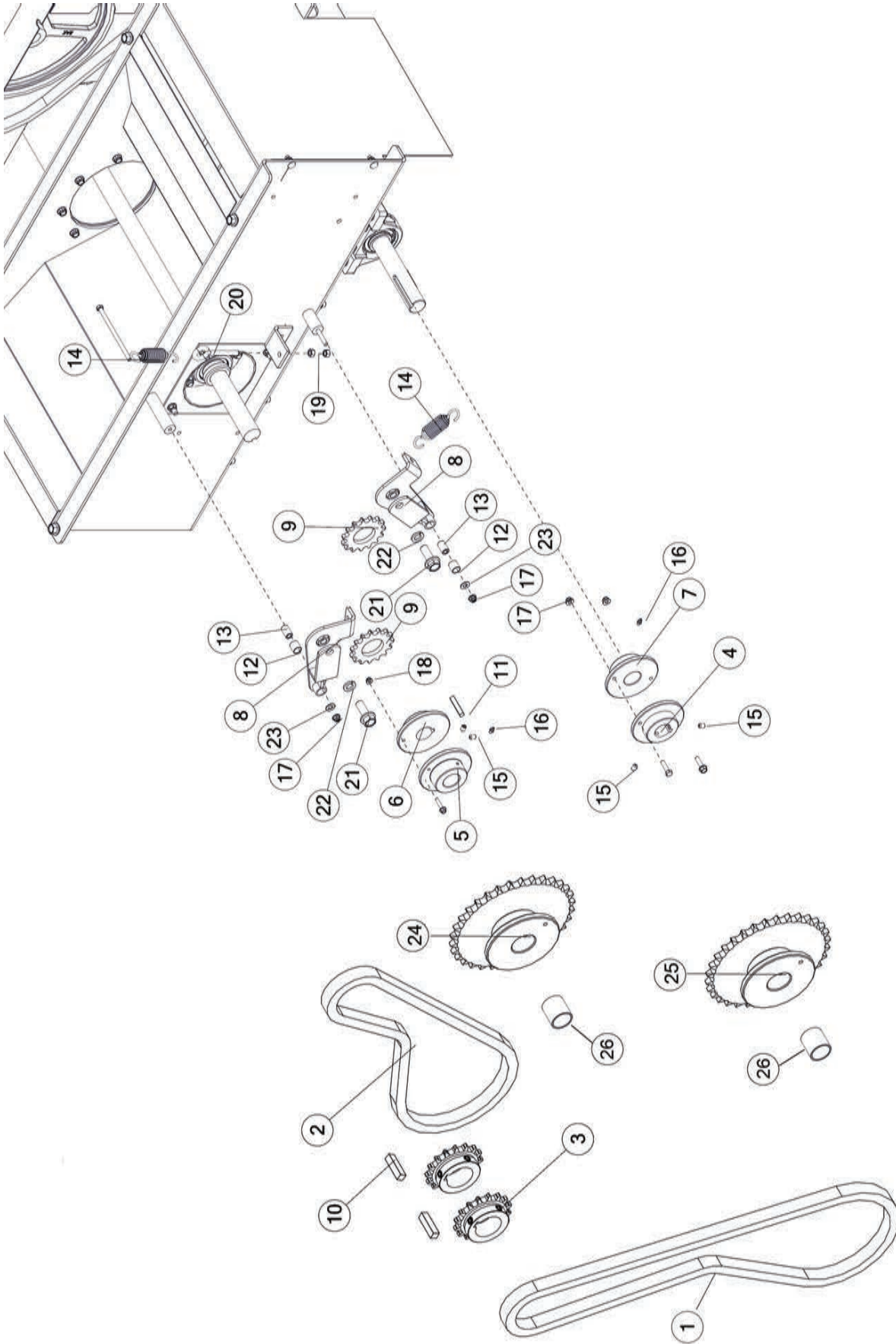


## FIGURE 2

### FRONT SHIELD AND COMPONENTS

<u>ITEM</u>	<u>QTY</u>	<u>PART#</u>	<u>DESCRIPTION</u>
1	1	84893	POLY PTO GUARD
2	1	80606	SHEILD PTO GUARD
3	2	80608	SHILED FRONT HINGE TOP
4	2	GM529	SHLD FRT HNGE BTM, 7 X 4.63 X .19
5	1	S522	MANUAL HOLDER
6	1	90056	CHAIN SHIELD, FRONT
7	1	90054	CHAIN SHIELD, LOWER
8	1	90040	CHAIN SHIELD, BACK
9	1	CHM38	PLUG STORAGE
10	2	X233	079-0101 LATCH ASSEMBLY
11	8	YSPN64004	MACHINE PPHS, #10-24 X 3/8 SS
12	12	YSPN64005	MACHINE PPHS, #10-24 X 5/8 ZINC
13	4	YBFB12003	BOLT FLANGE, 3/8 X 1 G5
14	4	YBCR12065	BOLT CARRIAGE, 3/8-16 X 3/4 G5 ZC
15	10	YBFB10125	BOLT FLANGE, 5/16 X 1-1/4 G5
16	5	YBFB08075	BOLT FLANGE, 1/4 X 3/4 G5
17	8	YBFB10075	BOLT FLANGE, 5/16 X 3/4 G5
18	20	YNNY64005	NUT HEX, #10-24 LKNY G2 ZC
19	10	YNFG12006	NUT FLANGE, 3/8 GF
20	5	YNFG08010	NUT FLANGE, 1/4 GF
21	18	YNFG10005	NUT FLANGE, 5/16 GF

# FIGURE 3 FLYWHEEL AND COMPONENTS



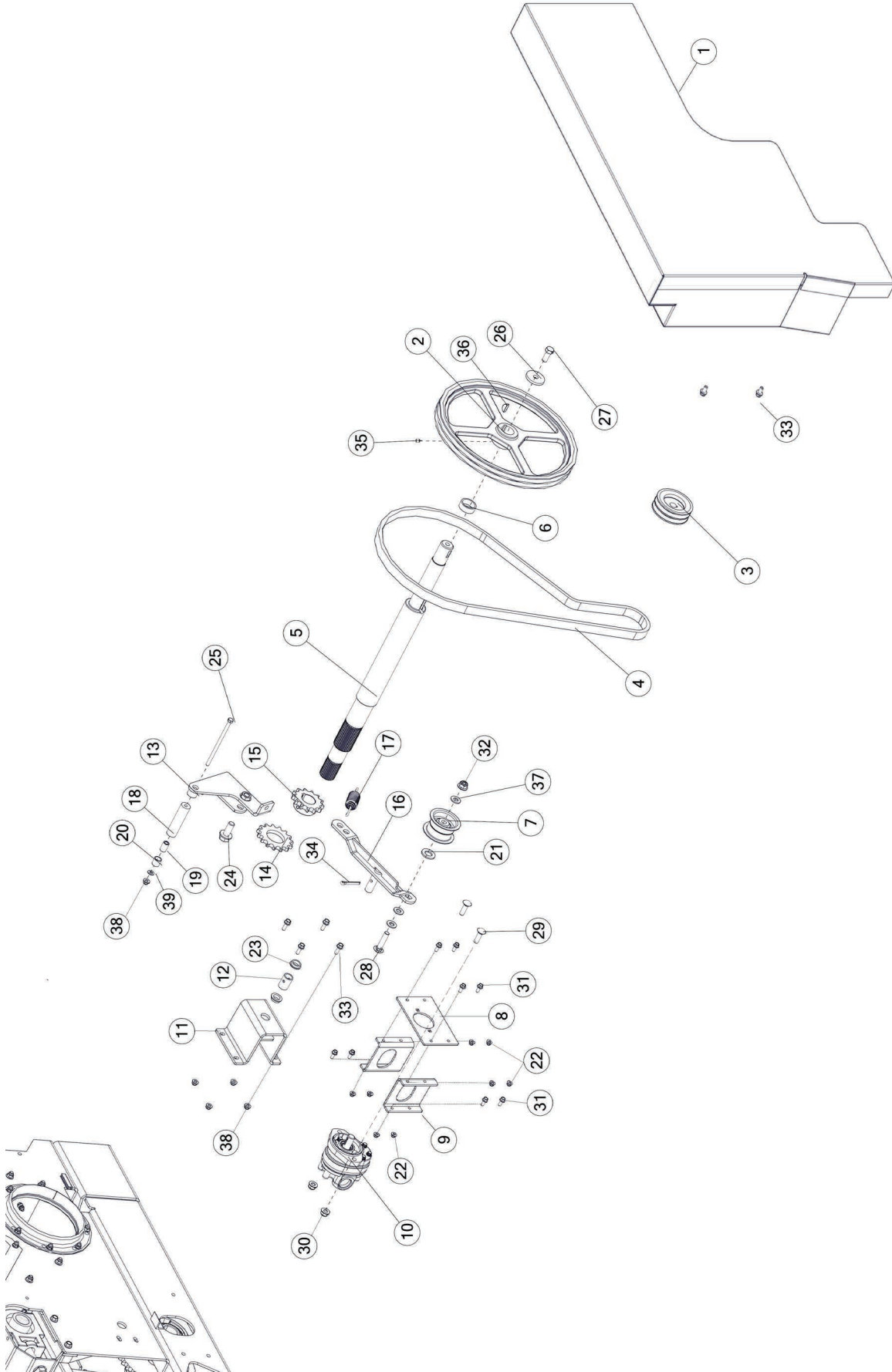


## FIGURE 3

### FLYWHEEL AND COMPONENTS

<u>ITEM</u>	<u>QTY</u>	<u>PART#</u>	<u>DESCRIPTION</u>
1	1	84938	ROLLER CHAIN 60 X 86
2	1	84939	ROLLER CHAIN, 60 X 67
3	2	81461	SPKT, 60, B, 16, 1 15/16
4	1	17G71	BACK SHEAR HUB
5	1	87392	SHEAR HUB
6	1	87390	BACK SHEAR HUB
7	1	84809	SINGLE SPROCKET, 35
8	2	82207	TENSIONER BRKT, CHAIN
9	2	GM251	MAIN DRIVE IDLER
10	2	BBS59	SQUARE KEY, 1/2 X 2
11	1	PB87	SQUARE KEY, 3/8 X 2
12	2	GM296	IDLER PIVOT BUSHING, 3/4 OD X 5/8 ID X 3/4
13	2	GM299	TUBE, RD, TENSIONER PIVOT
14	2	GM410	EXTENSION SPRING
15	4	YSSO12005	SET SCREW, SOCKET, 3/8-16 X 1/2
16	2	G89	STRAIGHT ZERK, 1/4-28
17	4	YNFG10005	NUT FLANGE, 5/16 GF
18	1	YNFG08010	NUT FLANGE, 1/4 GF
19	2	YNHX12004	NUT HEX, 3/8-16 NA G2 NF
20	1	YBWE12100	BOLT WELDED EYE, 3/8-16 X 3 ZC
21	2	YBFB20175	BOLT FLANGE, 5/8 X 1-3/4 G5
22	2	YWLO20010	WASHER LOCK, 5/8, G8 YELLOW ZINC
23	2	YWFL12010	WASHER FLAT, 3/8 SAE G8 YELLOW ZINC
24	1	87393	SINGLE SPROCKET, 32
25	1	84211	SINGLE SPROCKET, 32
26	2	89750	BRONZE BUSHING, 1-1/2 X 1-7/8

# **FIGURE 4** **ROLLER CHAIN AND COMPONENTS**

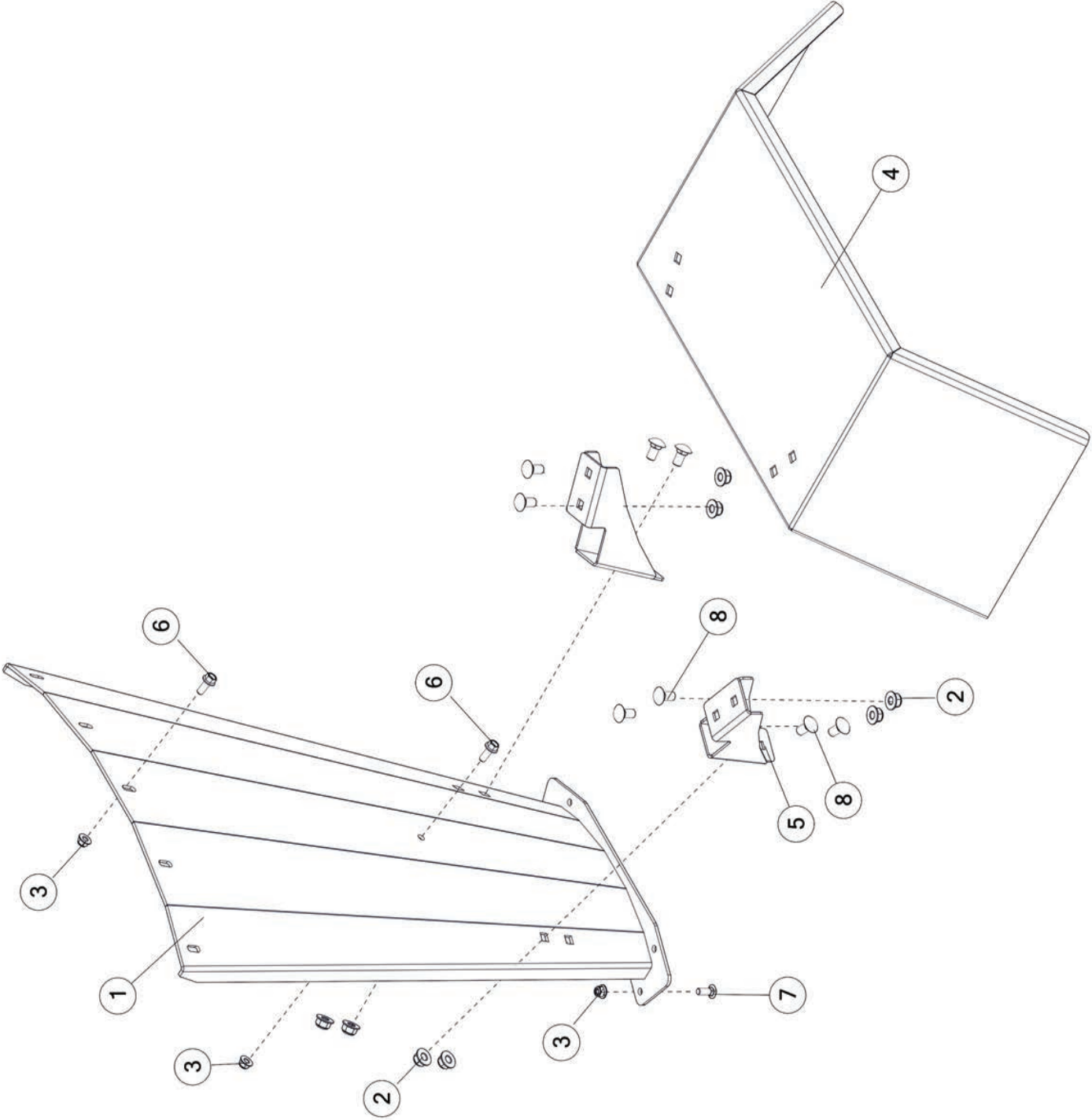


## FIGURE 4

### ROLLER CHAIN AND COMPONENTS

<u>ITEM</u>	<u>QTY</u>	<u>PART#</u>	<u>DESCRIPTION</u>
1	1	84868	SHIELD BELT, ROLLER
2	1	56635	SHEAVE 2AK154, 1.375 SHAFT
3	1	88022	BELT PULLEY
4	1	81621	BELT, 2A71
5	1	80793	MAIN DRIVE SHAFT
6	1	84508	SPACER, 0.59
7	1	K156	PULLEY, 2.64, .53 BORE
8	1	81618	BRKT, HYD PUMP
9	2	82225	PUMP BRACKET, STANDOFF
10	1	81560	HYD PUMP
11	1	84799	TENSIONER BRKT
12	1	84943	BUSHING
13	1	79711	CHAIN TENSIONER WLDMT
14	1	GM251	MAIN DRIVE IDLER
15	1	TS36	SINGLE SPROCKET, 13
16	1	79716	BELT TENSIONER WLDMT
17	1	GM410	EXTENSION SPRING
18	1	84429	SPACER, 4.875, TENSIONER
19	1	GM299	TUBE, RD, TENSIONER PIVOT
20	1	GM296	IDLER PIVOT BUSHING, 3/4 OD X 5/8 ID X 3/4
21	1	YWFL24020	WASHER FLAT, SAE 3/4, ZINC
22	8	YNFG12006	NUT FLANGE, 3/8 GF
23	2	GM416	NYLTRN BSH, .76 X 1.21 X .32
24	1	YBFB20150	BOLT FLANGE, 5/8 X 1-1/2 G5
25	1	YBHH10135	BOLT HEX, 5/16 X 6 G5
26	1	GM415	INPUT YOKE WASHER
27	1	YBHH16046	BOLT HEX, 1/2 X 1-1/4 G5 FINE THREAD
28	1	YBCR16023	BOLT CARRIAGE, 1/2-13 X 2-1/4 G5 ZC
29	2	YBCR14007	BOLT CARRIAGE, 7/16-14 X 1-1/2 G5 ZC
30	2	YNFG14011	NUT FLANGE, 7/16 GF
31	8	YBFB12003	BOLT FLANGE, 3/8 X 1 G5
32	1	YNFG16003	NUT FLANGE, 1/2 GF
33	6	YBFB10001	BOLT FLANGE, 5/16 X 1 G5
34	1	YPCT08005	COTTER PIN, 1/4 X 1-3/4
35	1	YSKP10010	SET SCREW, SOCKET, KNURLED CUP PT, 5/16 - 18 X 3/8
36	1	G12	WOODRUF KEY, 5/16 X 1
37	3	YWFL16015	WASHER FLAT, 1/2 SAE G8 YELLOW ZINC
38	4	YNFG10005	NUT FLANGE, 5/16 GF
39	1	YWFL10010	WASHER FLAT, 5/16 SAE G8 YELLOW ZINC

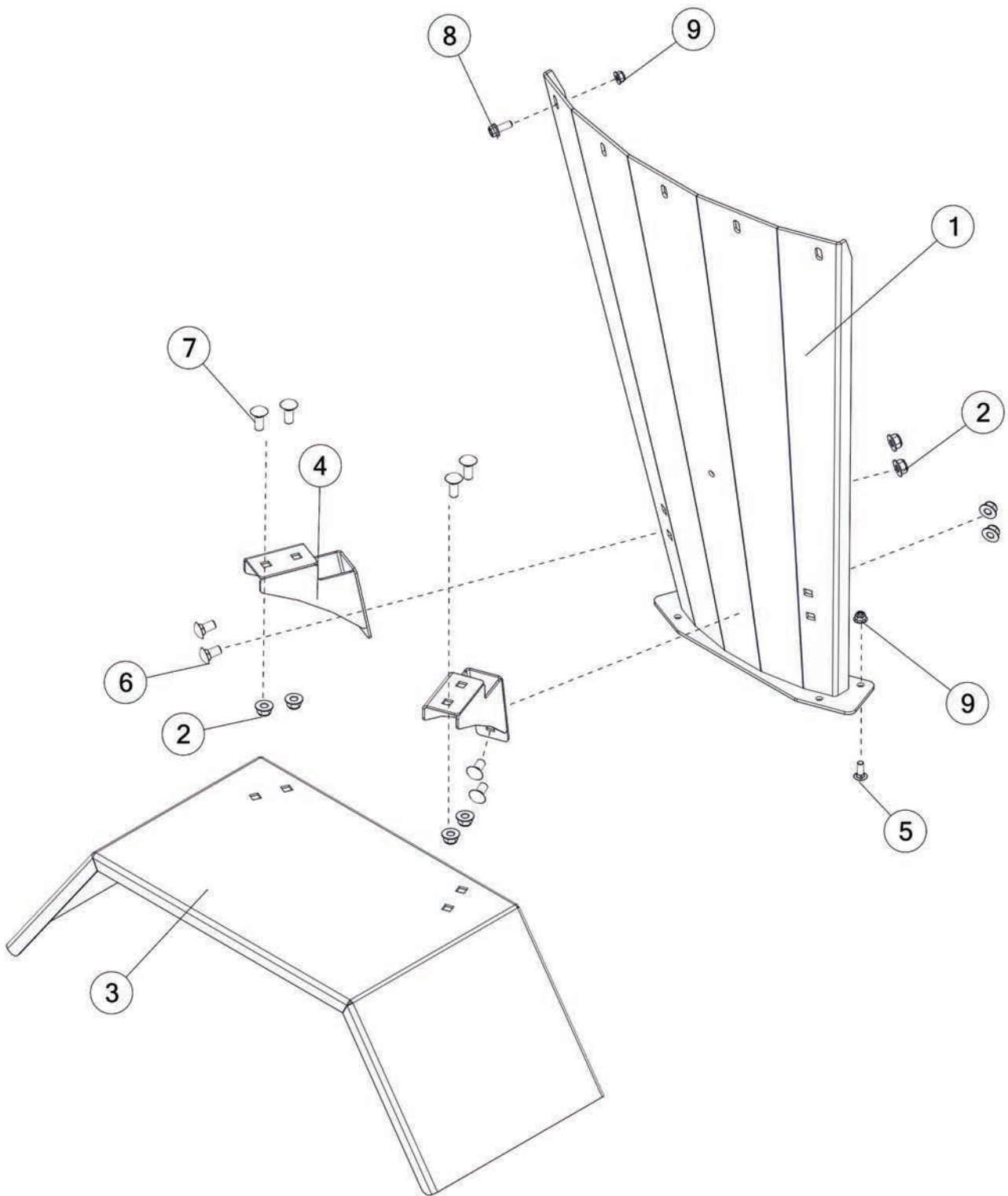
**FIGURE 5**  
**FENDER AND TANK SUPPORT RH**



**FIGURE 5**  
**FENDER AND TANK SUPPORT RH**

<b><u>ITEM</u></b>	<b><u>QTY</u></b>	<b><u>PART#</u></b>	<b><u>DESCRIPTION</u></b>
1	1	GM76	TANK SIDE SUPPORT
2	8	YNFG16003	NUT FLANGE, 1/2 GF
3	9	YNFG12006	NUT FLANGE, 3/8 GF
4	1	GM333	FENDER
5	2	85662	FENDER SUPPORT BRKT
6	2	YBFB12003	BOLT FLANGE, 3/8 X 1 G5 ZC
7	7	YBCR12010	BOLT CARRIAGE, 3/8 X 1 G5
8	4	YBCR16005	BOLT CARRIAGE, 1/2 X 1 G5

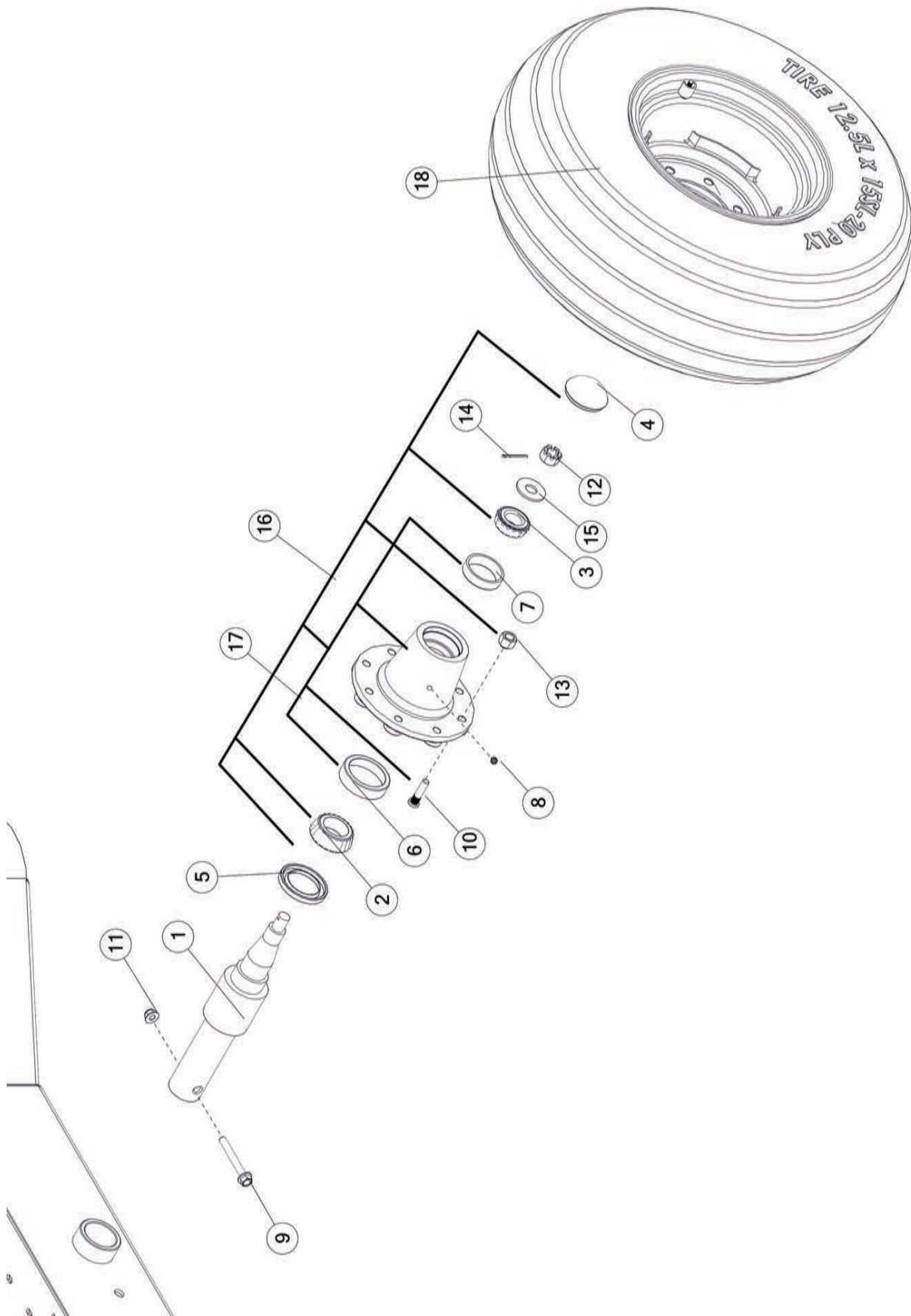
**FIGURE 6**  
**FENDER AND TANK SUPPORT LH**



**FIGURE 6**  
**FENDER AND TANK SUPPORT LH**

<b><u>ITEM</u></b>	<b><u>QTY</u></b>	<b><u>PART#</u></b>	<b><u>DESCRIPTION</u></b>
1	1	GM76	TANK SIDE SUPPORT
2	8	YNFG16003	NUT FLANGE, 1/2 GF
3	1	GM333	FENDER
4	2	85662	FENDER SUPPORT BRACKET
5	7	YBCR12010	BOLT CARRIAGE, 3/8 X 1 G5
6	4	YBCR16005	BOLT CARRIAGE, 1/2 X 1 G5
7	4	YBCR16015	BOLT CARRIAGE, 1/2 X 1-1/4 G5
8	5	YBFB12003	BOLT FLANGE, 3/8 X 1 G5 ZC
9	14	YNFG12006	NUT FLANGE, 3/8 GF

# FIGURE 7 WHEEL AND HUB ASSEMBLY



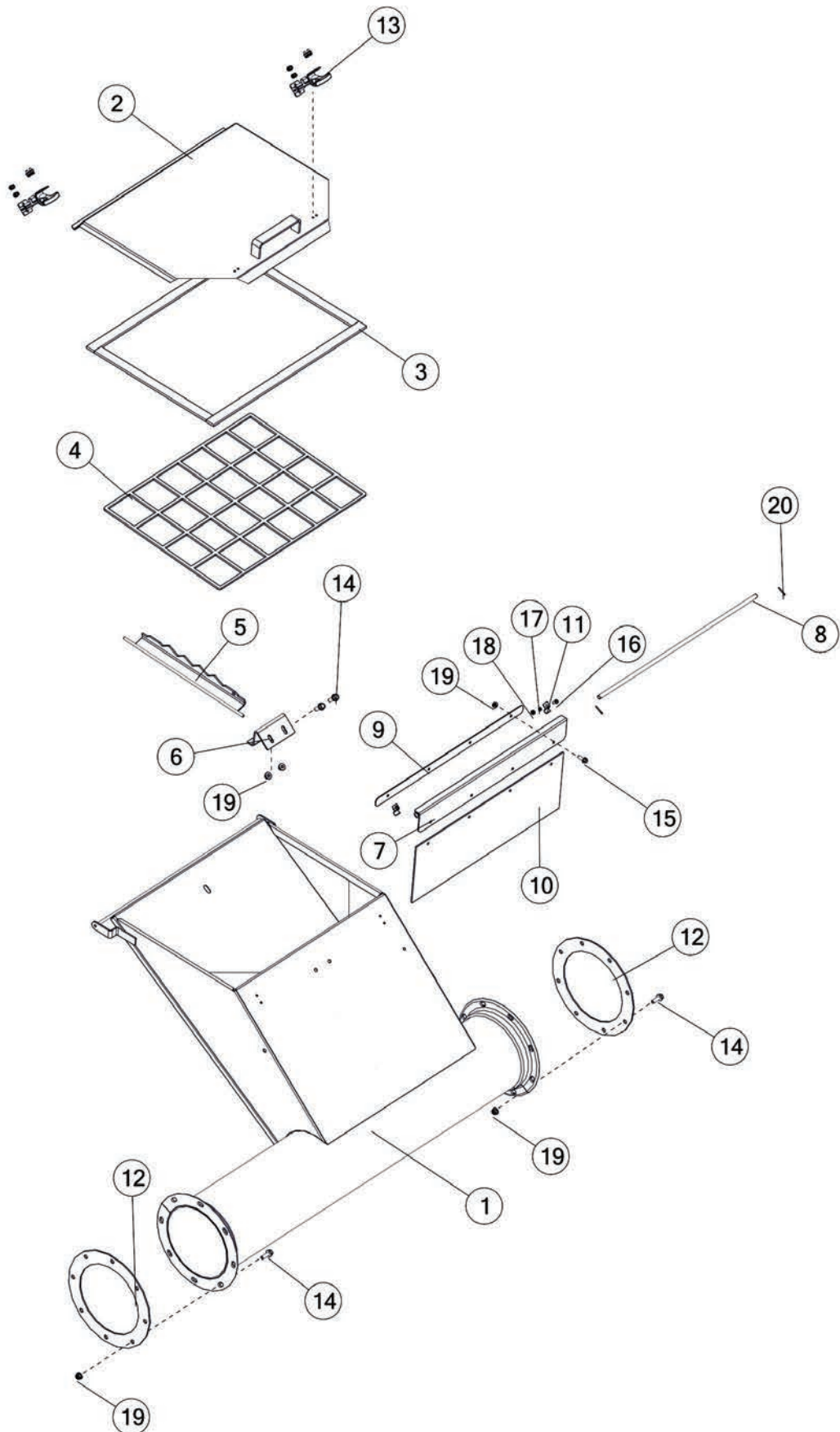


## FIGURE 7

### WHEEL AND HUB ASSEMBLY

<u>ITEM</u>	<u>QTY</u>	<u>PART#</u>	<u>DESCRIPTION</u>
1	1	GM402	SPINDLE LOAD CELL
2	1	53461	INNER BEARING
3	1	53462	OUTER BEARING
4	1	B2	HUB CAP
5	1	B90	GREASE SEAL
6	1	B91A	INNER RACE
7	1	B94A	OUTER RACE
8	1	BFR28	GREASE ZERK, 1/8 NPT
9	1	YBFB16400	BOLT FLANGE, 1/2 X 4 G5
10	8	YBSD20010	BOLT STUD, 5/8 X 2-1/2 G8
11	1	YNFG16003	NUT FLANGE, 1/2 GF
12	1	YNL28005	NUT HEX, SLOTTED, 7/8 G2
13	8	YNWL20005	NUT WHEEL, 5/8 G5
14	1	YPCT05020	COTTER PIN, 5/32 X 1-1/2
15	1	YWFL28005	WASHER FLAT, 7/8
16	1	16SV398	821 HUB WITH TIMKEN BEARINGS
17	1	53403	HUB WITH RACES OUTER
18	1	78227	TIRE 12.5L-15 ON WHEEL 15 X 10

# **FIGURE 8** **HOPPER AND COMPONENTS**



## FIGURE 8

### HOPPER AND COMPONENTS

<u>ITEM</u>	<u>QTY</u>	<u>PART#</u>	<u>DESCRIPTION</u>
1	1	81464	HOUSING, SUPPLEMENT HOPPER
2	1	90092	HOPPER COVER
3	1	79631	GASKET, SUPPLEMENT HOPPER
4	1	73901	SCREEN, SUPPLEMENT HOPPER
5	1	GM93	BAG BREAKER
6	1	73751	SUPPORT BRACKET
7	1	86033	FLAP WELDMENT
8	1	85668	HINGE ROD
9	1	85669	CHUTE FLAP CLAMP
10	1	85670	CHUTE FLAP POLY
11	2	GM91	HOSE CLAMP
12	2	74281	SHIM
13	2	X233	079-0101 LATCH ASSEMBLY
14	18	YBFB10001	BOLT FLANGE, 5/16 X 1 G5
15	4	YBFB08075	BOLT FLANGE, 1/4 X 3/4 G5
16	2	YSPP64005	MISC, PHILLIPS PAN HEAD TYPE, 10-32 X 1/2
17	2	YWLO64005	WASHER, LOCK, #10
18	2	YNNY64006	NUT HEX, 10-32, SS
19	18	YNFG10005	NUT FLANGE, 5/16 GF
20	2	YPCT03010	COTTER PIN, 3/32 X 3/4

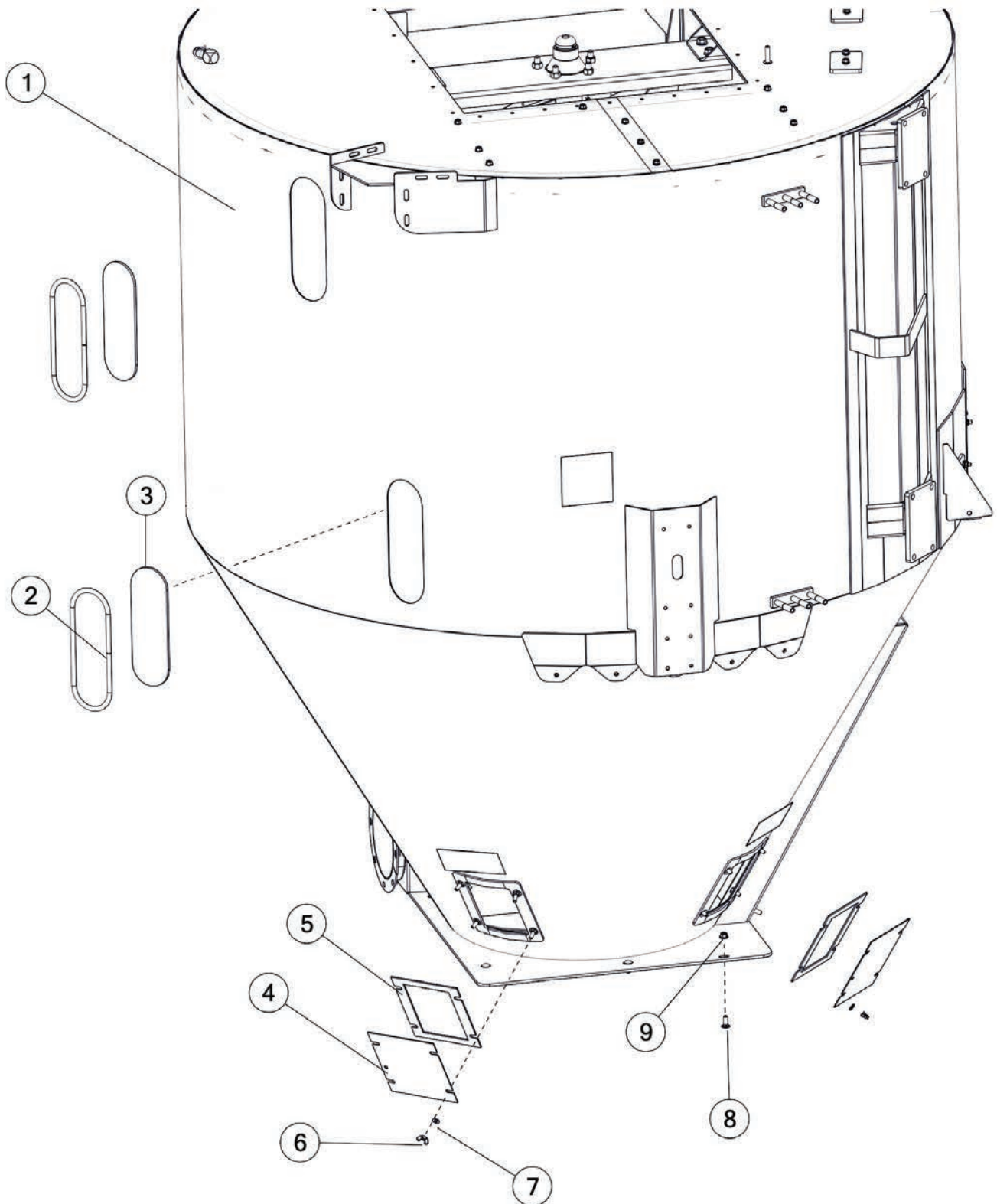


## FIGURE 9

### TANK COVER AND COMPONENTS

<u>ITEM</u>	<u>QTY</u>	<u>PART#</u>	<u>DESCRIPTION</u>
1	1	89721	TANK COVER, ASSEMBLY
2	1	GM571	LID GASKET LARGE
3	2	GM305	LATCH COVER 1 X 7.61 X .19
4	2	YBTE10015	BOLT TURNED EYE, 5/16 X 2-1/2
5	2	GM309	SPRING
6	2	YBFB10250	BOLT FLANGE, 5/16 X 2-1/2 G5
7	24	YBFB10001	BOLT FLANGE, 5/16 X 1 G5
8	6	YWFL12010	WASHER FLAT, 3/8
9	2	YNFG12006	NUT FLANGE, 3/8 GF
10	28	YNFG10005	NUT FLANGE, 5/16 GF
11	2	YNHX10010	NUT HEX, 5/16-18 NA G5 ZC
12	2	YNHX12004	NUT HEX, 3/8-16 NA G2 NF
13	2	YWFL10010	WASHER FLAT, 5/16

# **FIGURE 10** **TANK WINDOWS AND COMPONENTS**

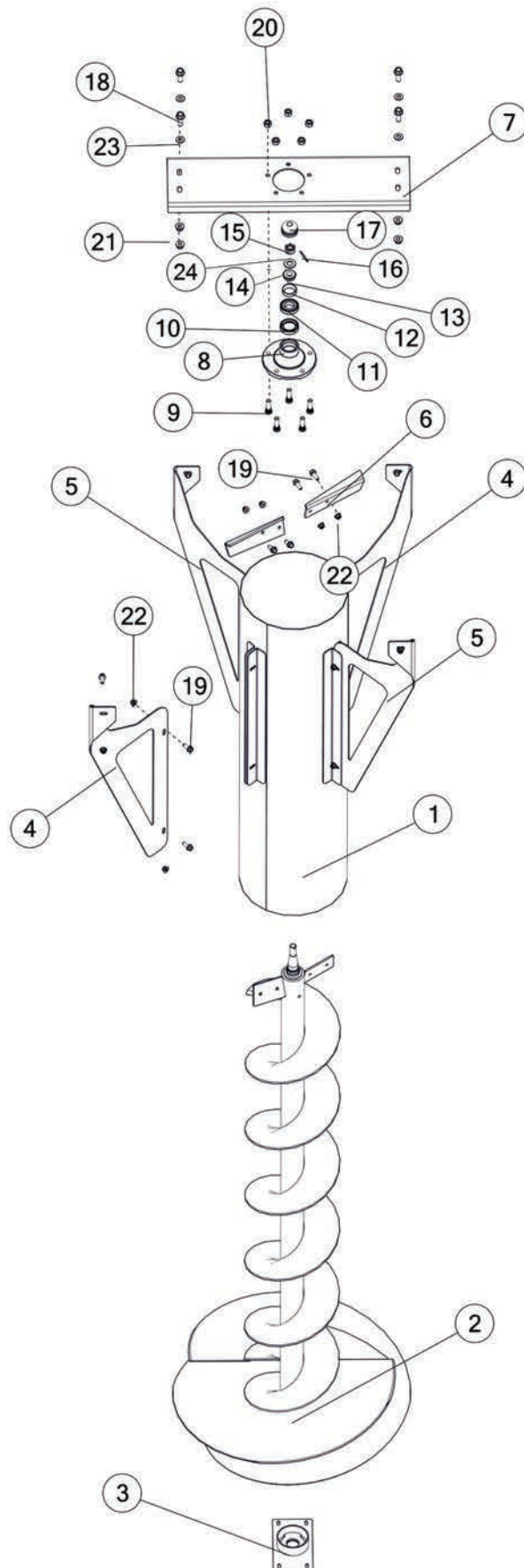


**FIGURE 10**  
**TANK WINDOWS AND COMPONENTS**

<u>ITEM</u>	<u>QTY</u>	<u>PART#</u>	<u>DESCRIPTION</u>
1	1	85495	TANK
2	5	GM347	WINDOW GASKET
3	5	GM346	TOP SIGHT WINDOW
4	4	GM488	AUGER CLEANOUT COVER
5	4	GM357	GASKET CLEANOUT
6	16	YNWG10005	NUT WING, 5/16-18 NA ZC
7	16	YWFL10010	WASHER FLAT, 5/16 SAE G8 YELLOW ZINC
8	3	YBCR12010	BOLT CARRIAGE, 3/8-16 X 1 G5 ZC
9	3	YNFG12006	NUT FLANGE, 3/8 GF

# FIGURE 11

## MIXING AUGER AND COMPONENTS



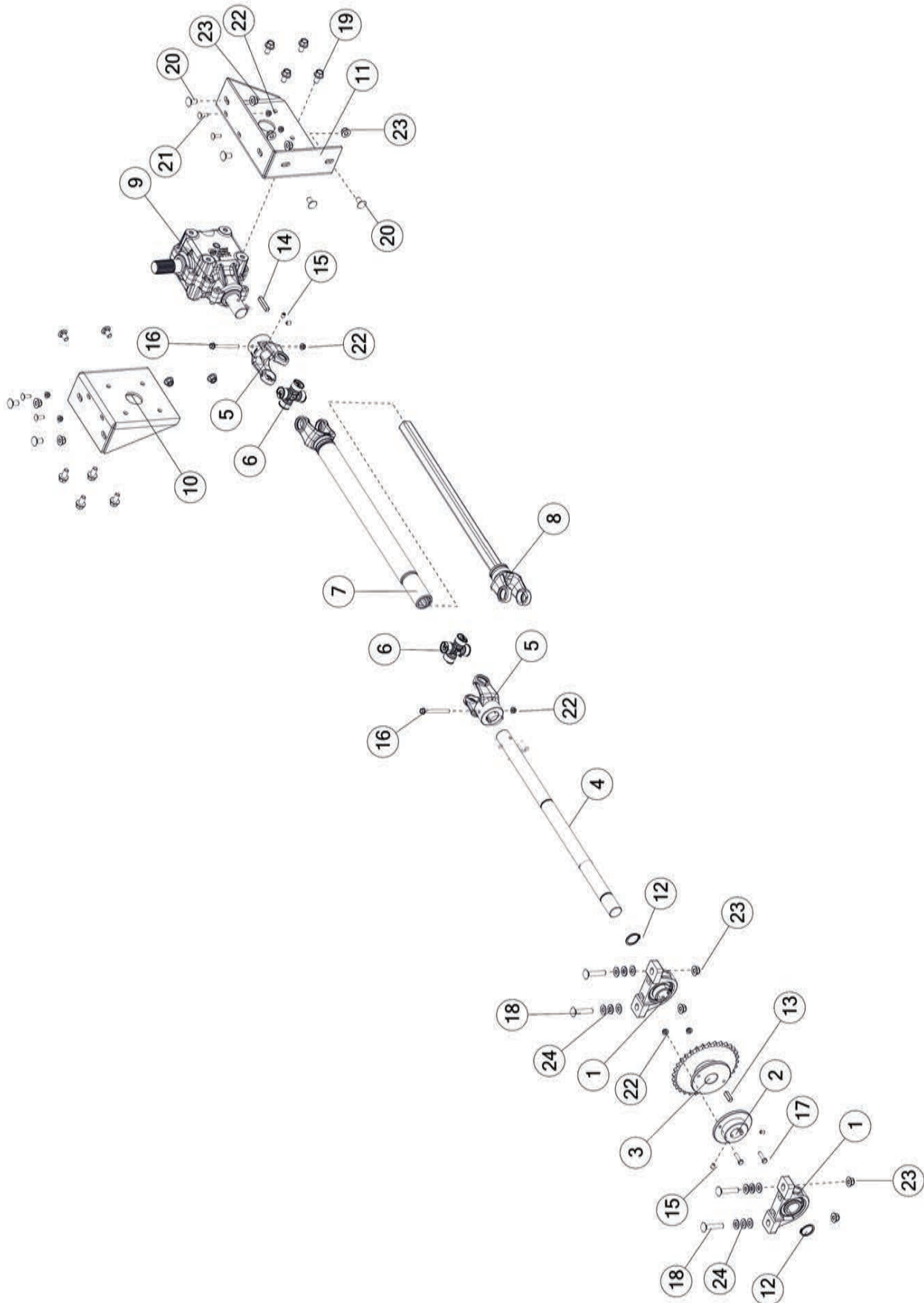


# FIGURE 11

## MIXING AUGER AND COMPONENTS

<u>ITEM</u>	<u>QTY</u>	<u>PART#</u>	<u>DESCRIPTION</u>
1	1	84971	MIXING AUGER TUBE
2	1	86436	MIXING AUGER
3	1	86245	STL PANEL, BOTTOM
4	2	GM564	WID SUPPORT A
5	2	GM565	WID SUPPORT B
6	2	86566	STEEL PANEL, BROADCAST
7	1	86420	HUB BRACKET
8	1	BFR60	HUB WITH RACES & STUDS
9	5	YBSD16005	BOLT STUD, 1/2 X 1-7/8 X 3/8 G5
10	1	60699	GREASE SEAL
11	1	17G145	TAPERED ROLLER BEARING
12	1	17G146	OUTER RACE
13	1	BFR62	OUTER BEARING
14	1	BFR61	OUTER RACE
15	1	YNSL24010	NUT HEX, SLOTTED, 3/4 G2
16	1	YPCT05010	COTTER PIN 5/32 X 1-1/2
17	1	BFR66	HUB CAP
18	4	YBFB16150	BOLT FLANGE, 1/2 X 1-1/2 G5
19	16	YBFB12003	BOLT FLANGE, 3/8 X 1 G5 ZC
20	5	YNWL16005	NUT WHEEL, 1/2 G5
21	4	YNFG16003	NUT FLANGE, 1/2 GF
22	16	YNFG12006	NUT FLANGE, 3/8 GF
23	4	YWFL16015	WASHER FLAT, 1/2 G8
24	1	YWFL24010	WASHER FLAT, 3/4

# FIGURE 12 YOKE AND TUBE AND COMPONENTS

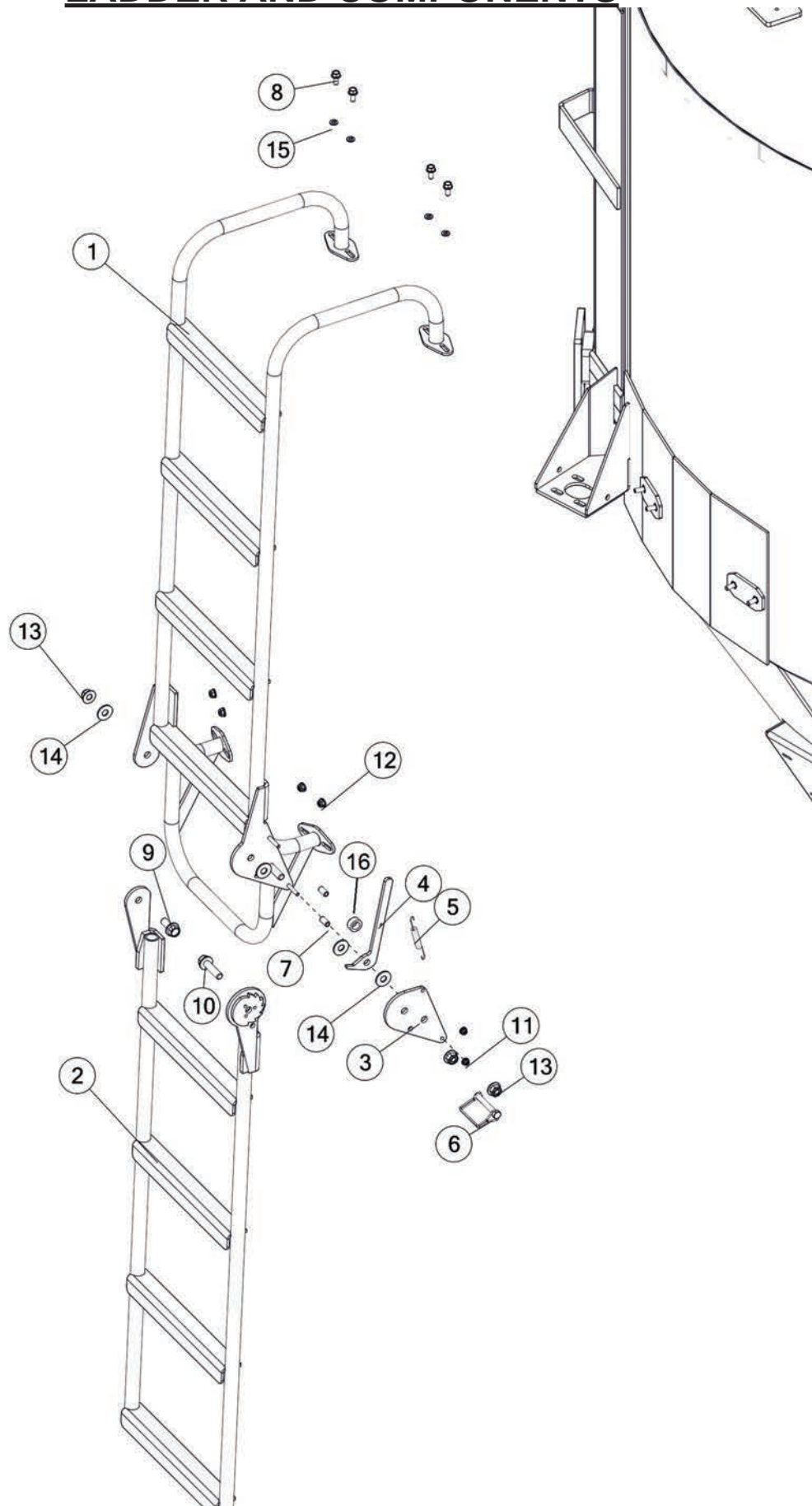


## FIGURE 12

### YOKE AND TUBE AND COMPONENTS

<u>ITEM</u>	<u>QTY</u>	<u>PART#</u>	<u>DESCRIPTION</u>
1	2	60659	PILLOW BLOCK BEARING
2	1	17G71	SHEAR HUB
3	1	84211	SINGLE SPROCKET, 32
4	1	87417	RND SHAFT, MIXING
5	2	82732	YOKE, IMPLEMENT, 1.5IN BORE
6	2	16SV179	CROSS KIT, 35R
7	1	82738	YOKE, TUBE, SLIP SLEEVE
8	1	82744	YOKE AND SHAFT
9	1	86580	GEARBOX
10	1	74241	GEAR BRACKET RH
11	1	73713	GEAR BRACKET LH
12	2	12V62	SNAP RING, 1-1/2IN HD EXTERNAL
13	1	68856	SQUARE KEY, 3/8 X 1-1/4
14	1	PB87	SQUARE KEY, 3/8 X 2
15	4	YSSO12005	SCREW SET, SOCKET, 3/8 X 1/2
16	2	YBFB10350	BOLT FLANGE, 5/16 X 3-1/2 G8
17	2	YBHH10040	BOLT HEX, 5/16-18 X 1-1/4 G2 ZC
18	4	YBCR16030	BOLT CARRIAGE, 1/2 X 2-1/2 G5
19	8	YBFB16100	BOLT FLANGE, 1/2 X 1 G5
20	4	YBCR16005	BOLT CARRIAGE, 1/2 X 1 G5
21	8	YBCR10010	BOLT CARRIAGE, 5/16 X 1 G5
22	8	YNFG10005	NUT FLANGE, 5/16 GF
23	20	YNFG16003	NUT FLANGE, 1/2 GF
24	12	YWFL16015	WASHER FLAT, 1/2 G8

# FIGURE 13 LADDER AND COMPONENTS

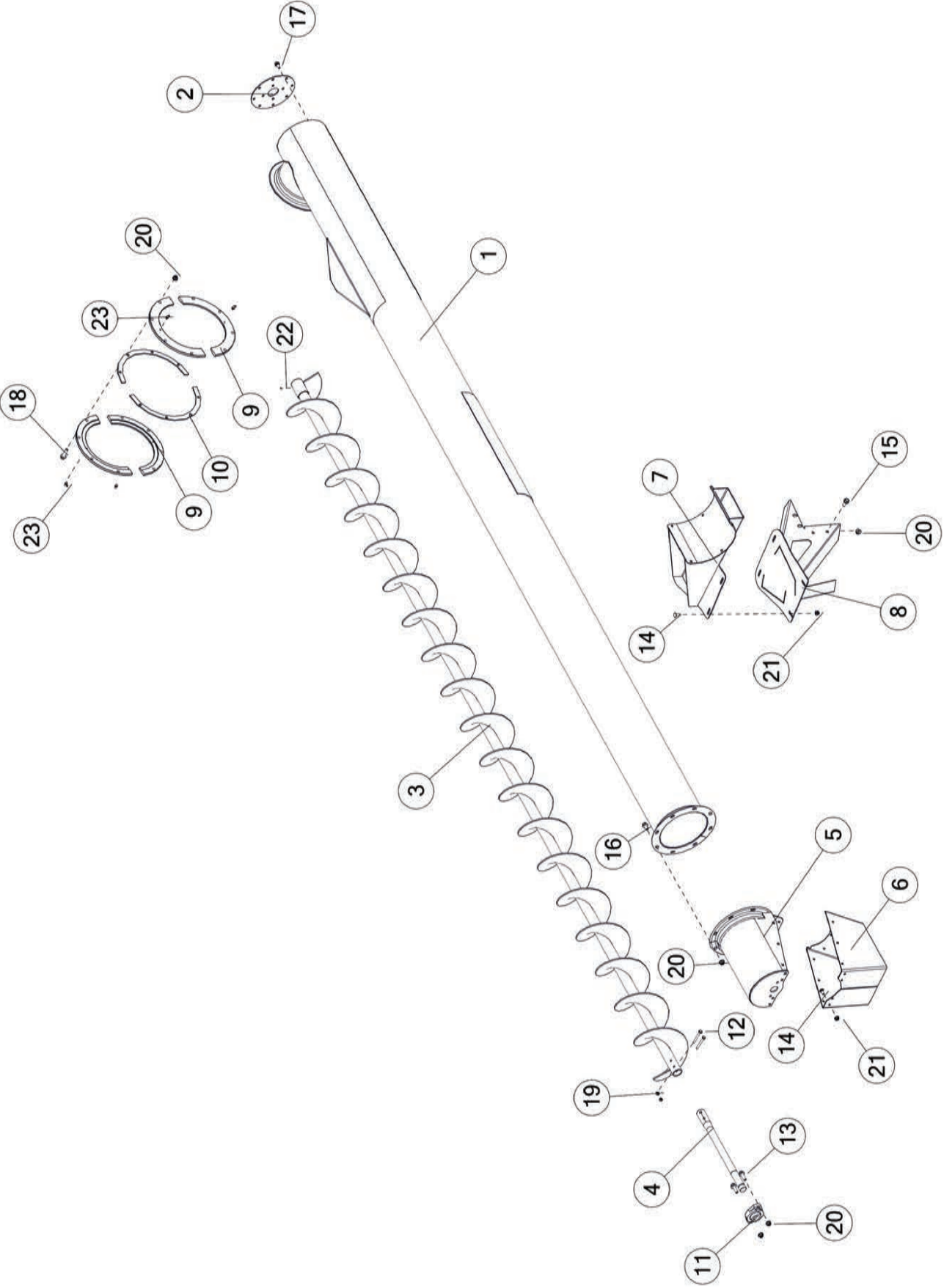


## FIGURE 13

### LADDER AND COMPONENTS

<u>ITEM</u>	<u>QTY</u>	<u>PART#</u>	<u>DESCRIPTION</u>
1	1	85484	TANK LADDER
2	1	85798	LOWER LADDER
3	1	86391	LADDER BRACKET
4	1	86388	DOG CLUTCH
5	1	GM208	LATCH SPRING
6	1	DWM191	SNAPPER PIN, 3/8 X 2-3/4
7	2	86404	SPACER
8	4	YBFB10075	BOLT FLANGE, 5/16 X 3/4 G5
9	1	YBFB16125	BOLT FLANGE, 1/2 X 1-1/4 G5
10	1	YBFB16200	BOLT FLANGE, 1/2 X 2 G5
11	2	YNFG08010	NUT FLANGE , 1/4 GF
12	4	YNFG10005	NUT FLANGE, 5/16 GF
13	2	YNFG16003	NUT FLANGE, 1/2 GF
14	2	YWFL16005	WASHER FLAT, 1/2
15	4	YWLO10005	WASHER LOCK, 5/16
16	1	80N11	FRONT POST SPACER

**FIGURE 14**  
**UNLOADING AUGER AND COMPONENTS**

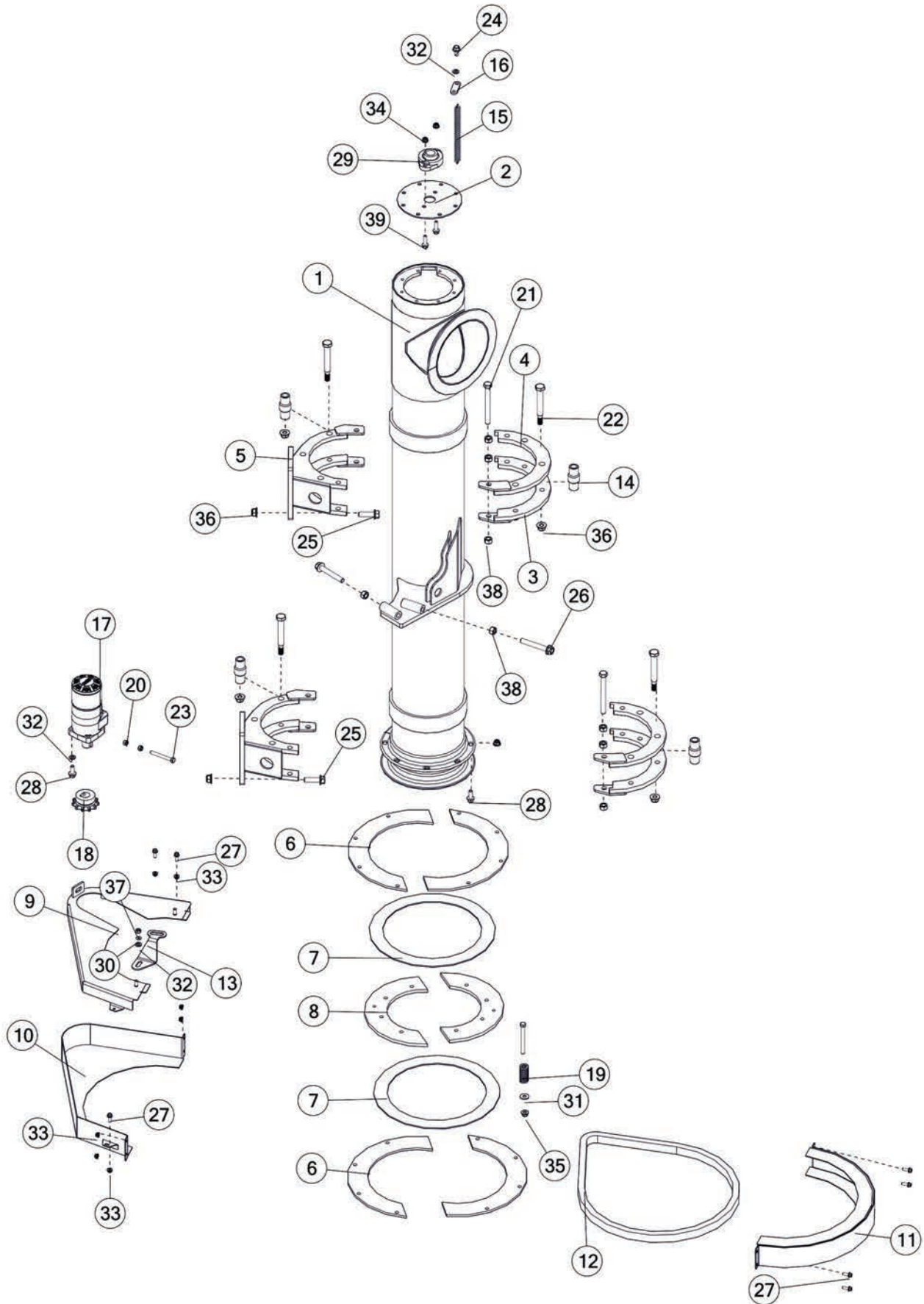


## FIGURE 14

### UNLOADING AUGER AND COMPONENTS

<u>ITEM</u>	<u>QTY</u>	<u>PART#</u>	<u>DESCRIPTION</u>
1	1	85626	UNLOADING AUGER HOUSING
2	1	GM245	AUGER INNER DRIVE CAP
3	1	80542	UNLOADING AUGER 12FT
4	1	85691	AUGER LONG BEARING SHAFT
5	1	GM243	SPOUT
6	1	GM244	SPOUT RUBBER
7	1	89649	AUGER CRADLE
8	1	89648	AUGER CRADLE BRACKET
9	3	GM231	STAGGERED PIVOT COLLAR
10	1	GM232	COLLAR SHIM
11	1	T40	BEARING W/LOCK COLLAR, 1
12	2	YBHH08060	BOLT HEX, 1/4-20 X 2-1/4 G5 ZC
13	2	YBFB12125	BOLT FLANGE, 3/8 X 1-1/4 G5
14	17	YBCR10030	BOLT CARRIAGE, 5/16 X 3/4 G5
15	8	YBFB12003	BOLT FLANGE, 3/8 X 1 G5 ZC
16	8	YBFB12075	BOLT FLANGE, 3/8 X 3/4 G5
17	8	YBFB10075	BOLT FLANGE, 5/16 X 3/4 G5
18	8	YBFB12150	BOLT FLANGE, 3/8 X 1-1/2 G5
19	9	YNHX08005	NUT HEX, 1/4 G5
20	24	YNFG12006	NUT FLANGE, 3/8 GF
21	4	YNFG10005	NUT FLANGE, 5/16 GF
22	1	YSSO64005	SET SCREW, SOCKET, #10-32 X 1/4
23	4	RG51	ZERK, 90 DEGREE 1/4-28

# FIGURE 15 VERTICAL AUGER TUBE AND COMPONENTS



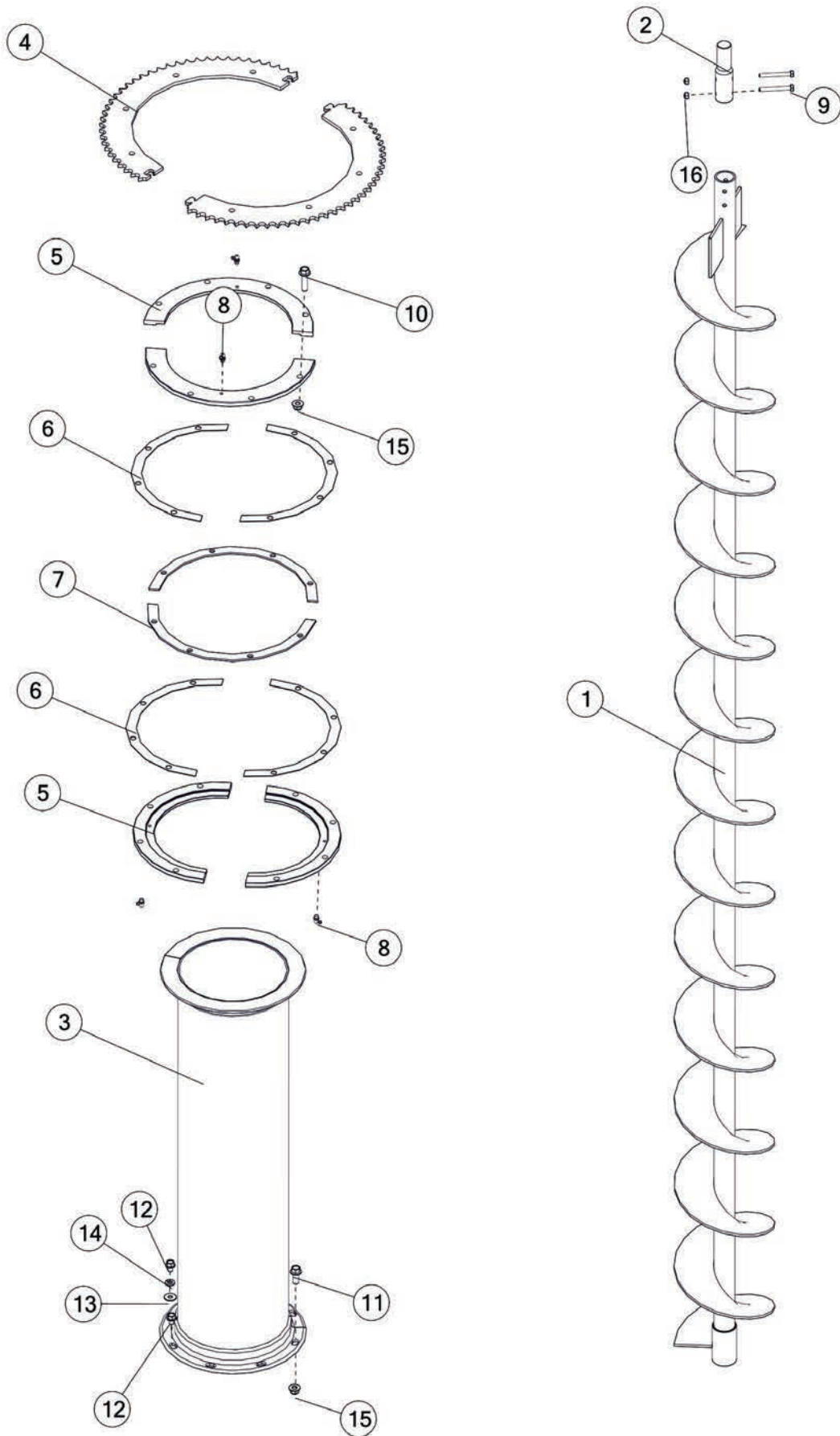


# FIGURE 15

## VERTICAL AUGER TUBE AND COMPONENTS

<u>ITEM</u>	<u>QTY</u>	<u>PART#</u>	<u>DESCRIPTION</u>
1	1	85625	VERTICAL AUGER TUBE
2	1	85932	AUGER INNER IDLE CAP
3	2	GM340	SPLIT RING BOTTOM
4	2	GM341	SPLIT RING TOP
5	2	75386	WELDMENT, AUGER, TOP
6	4	GM229	PLATE, 15-1/2 X 8.23 X 1/4, CLUTCH FACE
7	2	GM237	GREEN BRAKE, CLUTCH MATERIAL
8	2	GM228	PLATE, 12.98 X 7.01 X .38, CLUTCH PLATE
9	1	86076	CHAIN SHIELD, TOP
10	1	86078	CHAIN SHIELD, BOTTOM
11	1	75434	GUARD, RING, OUTER
12	1	84459	ROLLER CHAIN, 60 X 79
13	1	86084	BRACKET GUARD
14	12	GM345	TOP ROLLER
15	1	23N187	EXTENSION SPRING
16	1	GM436	HOSE HOLDER
17	1	81570	HYDRAULIC MOTOR, 22.6CI
18	1	GM226	AUGER TURN SPROCKET
19	18	WM210	DIE SPRING, HEAVY LOAD, 1.0X1.5X2.0
20	2	YNHX10010	NUT HEX, 5/16-18 NA G5 ZC
21	4	YBHH16156	BOLT HEX, 1/2 X 5 G5 FULL THREAD
22	12	GM342	BOLT SHOULDER, 5/8 X 4-7/8, 1/2-13
23	1	YBHH10095	BOLT HEX, 5/16 X 3 G2 FULL THREAD
24	8	YBFB12075	BOLT FLANGE, 3/8 X 3/4 G5
25	8	YBFB16175	BOLT FLANGE, 1/2 X 1-3/4 G5
26	2	YBFB16350	BOLT FLANGE, 1/2 X 3-1/2 G5
27	7	YBFB08075	BOLT FLANGE, 1/4 X 3/4 G5
28	12	YBFB12003	BOLT FLANGE, 3/8 X 1 G5
29	1	T40	BEARING, 2 BOLT, 1 BORE W/COLLAR
30	1	YWFL06010	WASHER FLAT, USS #10 ZINC
31	8	YWFL12005	WASHER FLAT, 3/8 USS
32	8	YWLO12005	WASHER LOCK, 3/8
33	7	YNFG08010	NUT FLANGE, 1/4 GF
34	2	YNFG10005	NUT FLANGE, 5/16 GF
35	16	YNFG12006	NUT FLANGE, 3/8 GF
36	20	YNFG16003	NUT FLANGE, 1/2 GF
37	1	YNHX10005	NUT HEX, 5/16-18 NA A ZC
38	12	YNHX1600	NUT HEX, 1/2-13 NA
39	2	YBFB10125	BOLT FLANGE, 5/16 X 1-1/4 G5

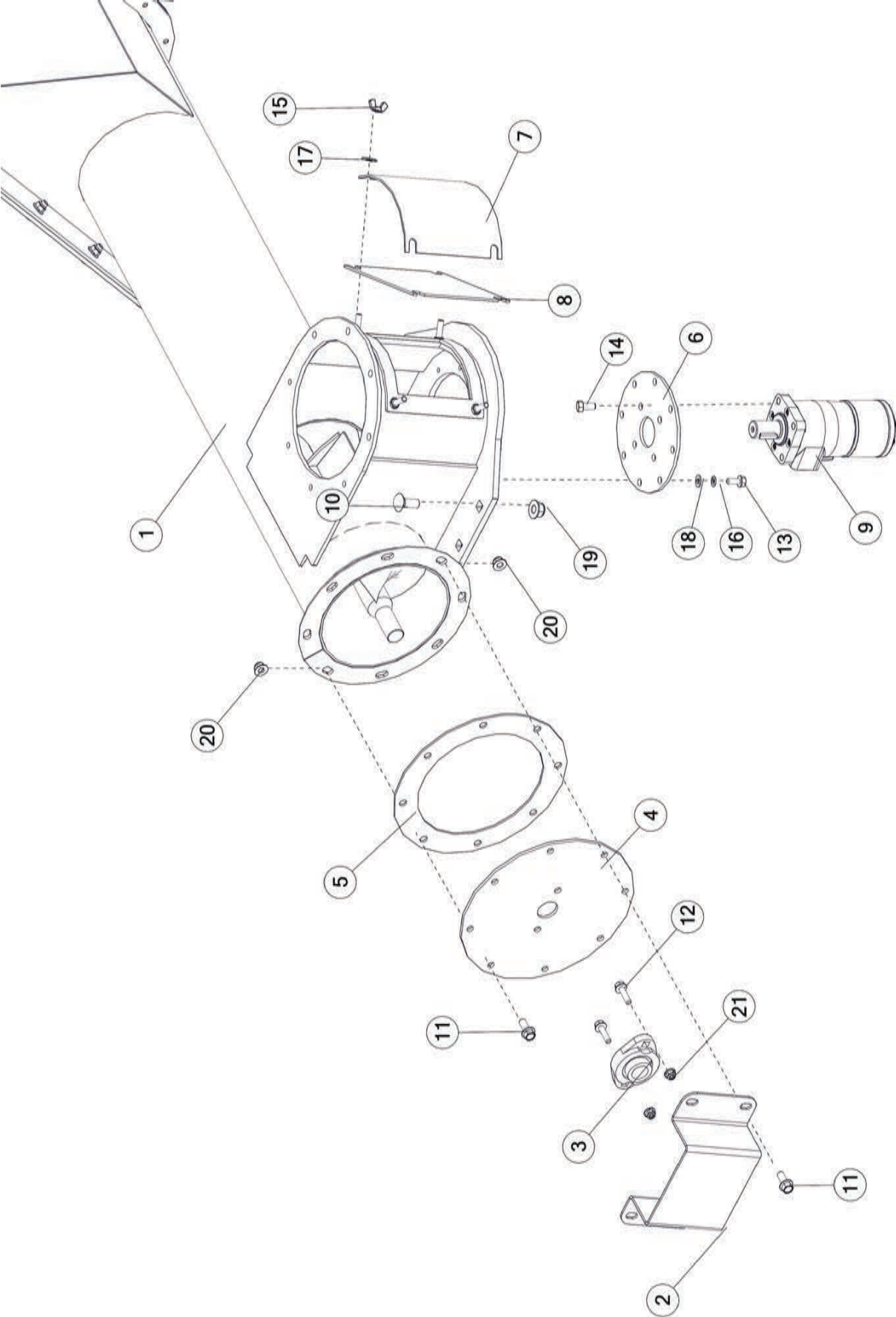
# FIGURE 16 VERTICAL AUGER AND COMPONENTS



**FIGURE 16**  
**VERTICAL AUGER AND COMPONENTS**

<u>ITEM</u>	<u>QTY</u>	<u>PART#</u>	<u>DESCRIPTION</u>
1	1	78393	AUGER, VERTICAL
2	1	GM233	VERTICAL AUGER SHAFT
3	1	78157	ROUND TUBE, AUGER
4	2	GM238	CLUTCH SPROCKET, 60 B
5	4	GM231	STAGGERED PIVOT COLLAR
6	4	GM459	COLLAR SHIM
7	1	GM232	COLLAR SHIM
8	4	RG51	ZERK, 90 DEGREE 1/4-28
9	2	YBHH08060	BOLT HEX, 1/4-20 X 2-1/4 G5 ZC
10	8	YBFB12150	BOLT FLANGE, 3/8 X 1-1/2 G5
11	4	YBFB12003	BOLT FLANGE, 3/8 X 1 G5 ZC
12	4	YBFB10002	BOLT FLANGE, 5/16 X 1/2 G5
13	4	YWFL10005	WASHER LOCK, 3/8
14	4	YWLO12005	WASHER LOCK, 3/8
15	16	YNFG12006	NUT FLANGE, 3/8 GF
16	2	YNTL08005	NUT HEX, TOP LOCK, 1/4 G5

**FIGURE 17**  
**AUGER HOUSING AND COMPONENTS**

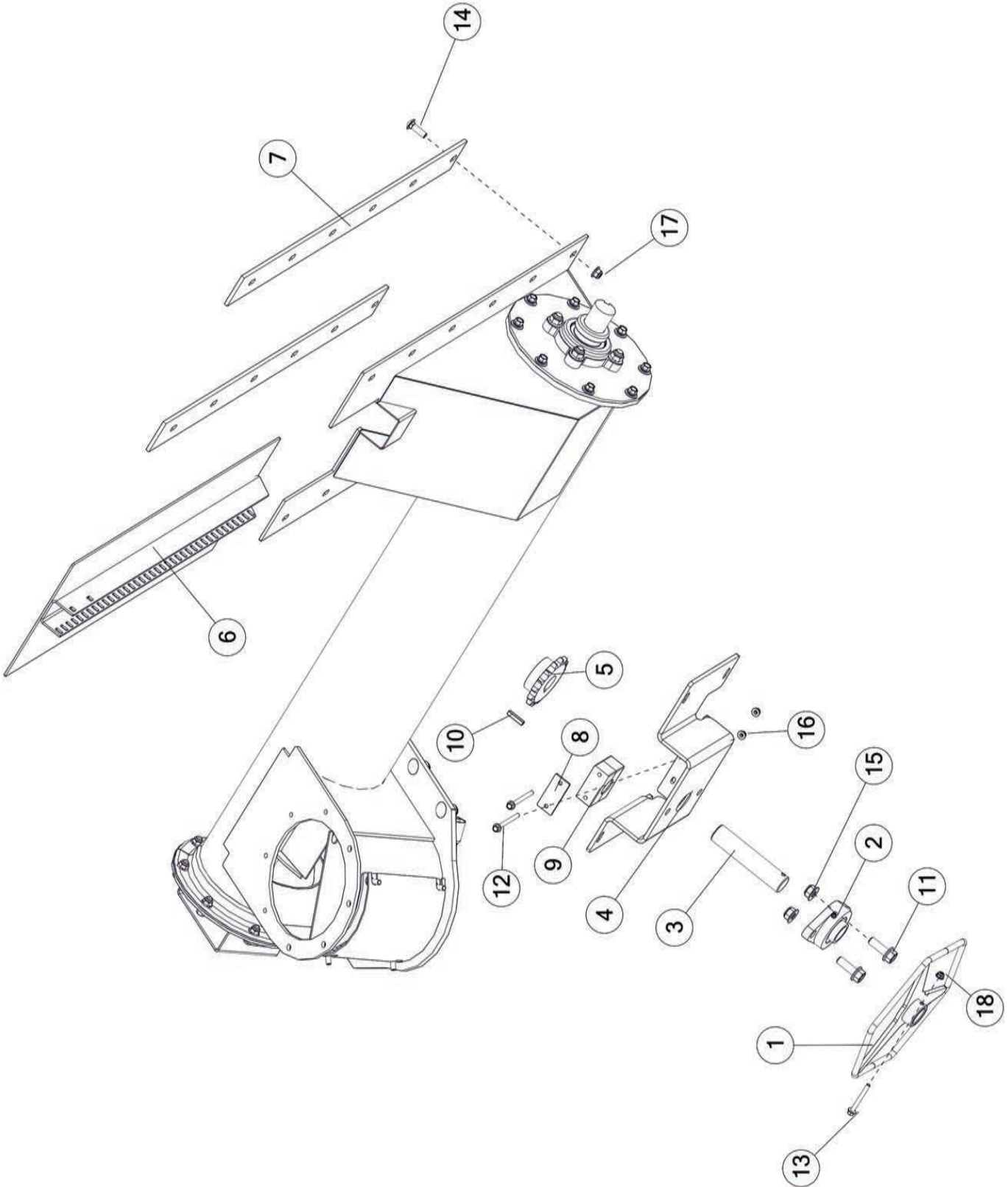


## FIGURE 17

### AUGER HOUSING AND COMPONENTS

<u>ITEM</u>	<u>QTY</u>	<u>PART#</u>	<u>DESCRIPTION</u>
1	1	85488	AUGER HOUSING ASSEMBLY
2	1	86534	SHAFT SHIELD
3	1	T40	BEARING W/LOCK COLLAR, 1
4	1	78254	AUGER COVER
5	1	74281	SHIM
6	1	81642	AUGER INNER DRIVE CAP
7	1	80194	STEEL PANEL, CLEANOUT DOOR
8	1	84174	GASKET, CLEANOUT
9	1	85344	HYDRAULIC MOTOR, 10.1CI
10	4	YBCR16015	BOLT CARRIAGE, 1/2 X 1-1/4 G5
11	8	YBFB12003	BOLT FLANGE, 3/8 X 1 G5 ZC
12	2	YBFB10125	BOLT FLANGE, 5/16 X 1-1/4 G5
13	8	YBFB10075	BOLT FLANGE, 5/16 X 3/4 G5
14	4	YBHH12135	BOLT HEX, 3/8 X 3/4 G5
15	4	YNWG10005	NUT WING, 5/16-18 NA ZC
16	8	YWLO10005	WASHER LOCK, 5/16
17	4	YWFL10005	WASHER LOCK, 3/8
18	8	YWFL10010	WASHER FLAT, 5/16 G8
19	4	YNFG16003	NUT FLANGE, 1/2 GF
20	8	YNFG12006	NUT FLANGE, 3/8 GF
21	2	YNFG10005	NUT FLANGE, 5/16 GF

# FIGURE 18 GATE AND COMPONENTS

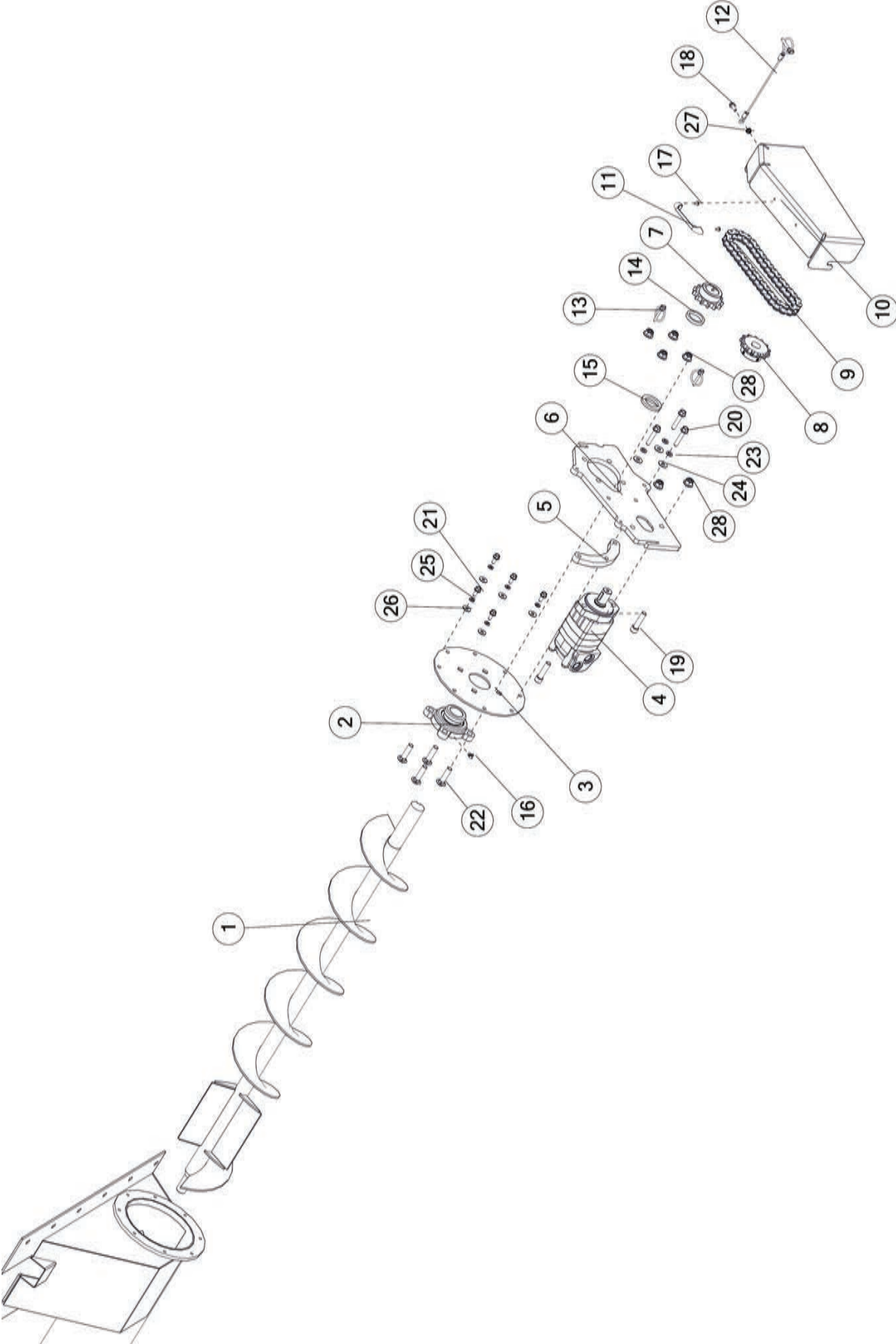


## FIGURE 18

### GATE AND COMPONENTS

<u>ITEM</u>	<u>QTY</u>	<u>PART#</u>	<u>DESCRIPTION</u>
1	1	85582	HANDLE, GATE
2	1	12N29	FLANGE BEARING
3	1	85568	HANDLE SHAFT
4	1	85698	GATE BRACKET
5	1	55230	SPROCKET, 60B15, 1-1/4 SHAFT
6	1	85690	GATE
7	2	80232	SPACER, 1/4
8	1	56566	CLAMP TOP PLATE
9	1	CHM289	CLAMP HALVES 1-1/4 TUBE
10	1	S135	SQUARE KEY, 1/4 X 1-1/4
11	2	YBFB16150	BOLT FLANGE, 1/2 X 1-1/2 G5
12	2	YBFB08300	BOLT FLANGE, 1/4 X 3 G5
13	1	YBFB08225	BOLT FLANGE, 1/4 X 2-1/4 G5
14	12	YBCR12020	BOLT CARRIAGE, 3/8 X 1-1/4 G5
15	1	YNFG16003	NUT FLANGE, 1/2 GF
16	2	YNFG08010	NUT FLANGE , 1/4 GF
17	12	YNFG12006	NUT FLANGE, 3/8 GF
18	1	YNFG08010	NUT FLANGE , 1/4 GF

**FIGURE 19**  
**HORIZONTAL AUGER AND COMPONENTS**



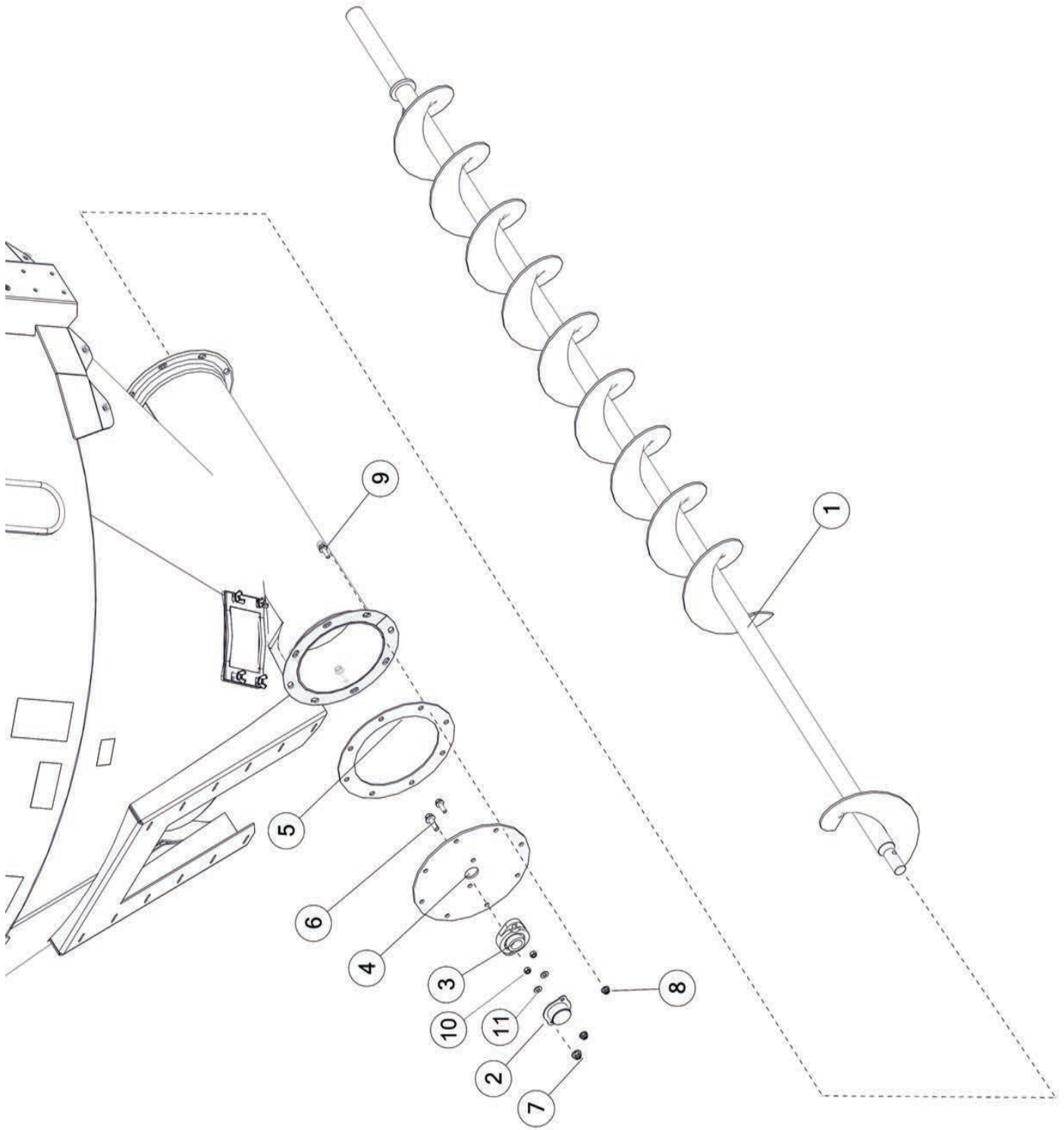


## FIGURE 19

### HORIZONTAL AUGER AND COMPONENTS

<u>ITEM</u>	<u>QTY</u>	<u>PART#</u>	<u>DESCRIPTION</u>
1	1	85646	HORIZONTAL AUGER, ASSY
2	1	78670	BALL BEARING, 1.50
3	1	85629	AUGER DRIVE CAP
4	1	81565	HYD MOTOR, 6.2CI
5	1	89615	SPACER
6	1	89618	MOTOR PLATE
7	1	TS36	SINGLE SPROCKET, 13
8	1	85671	SINGLE SPROCKET, 13
9	1	85995	ROLLER CHAIN, #60, 36P
10	1	89626	SHIELD
11	1	79671	PULL HANDLE, PLASTIC
12	1	S122	LANYARD, CLIP PIN CABLE
13	2	YPLY06010	LYNCH PIN, 3/16 X 1-9/16
14	1	89620	SPACER
15	1	78669	STOP RING
16	1	RG51	ZERK, 90 DEGREE 1/4"-28
17	2	YSPN64004	MACHINE PPHS, #10-24 X 3/8 SS
18	1	YBFB08075	BOLT FLANGE, 1/4 X 3/4 G5
19	2	YSHS16015	BOLT SOCKET, 1/2-13 X 2 BO
20	3	YBFB12200	BOLT FLANGE, 3/8 X 2 G5
21	5	YBFB10075	BOLT FLANGE, 5/16 X 3/4 G5
22	4	YBCR16020	BOLT CARRIAGE, 1/2-13 X 2 G5 ZC
23	3	YWLO12005	WASHER LOCK, 3/8
24	3	YWFL12005	WASHER FLAT, 3/8 USS
25	5	YWLO10005	WASHER LOCK, 5/16
26	5	YWFL10005	WASHER FLAT, 5/16 USS
27	1	YNFG08010	NUT FLANGE, 1/4 GF
28	6	YNFG16003	NUT FLANGE, 1/2 GF

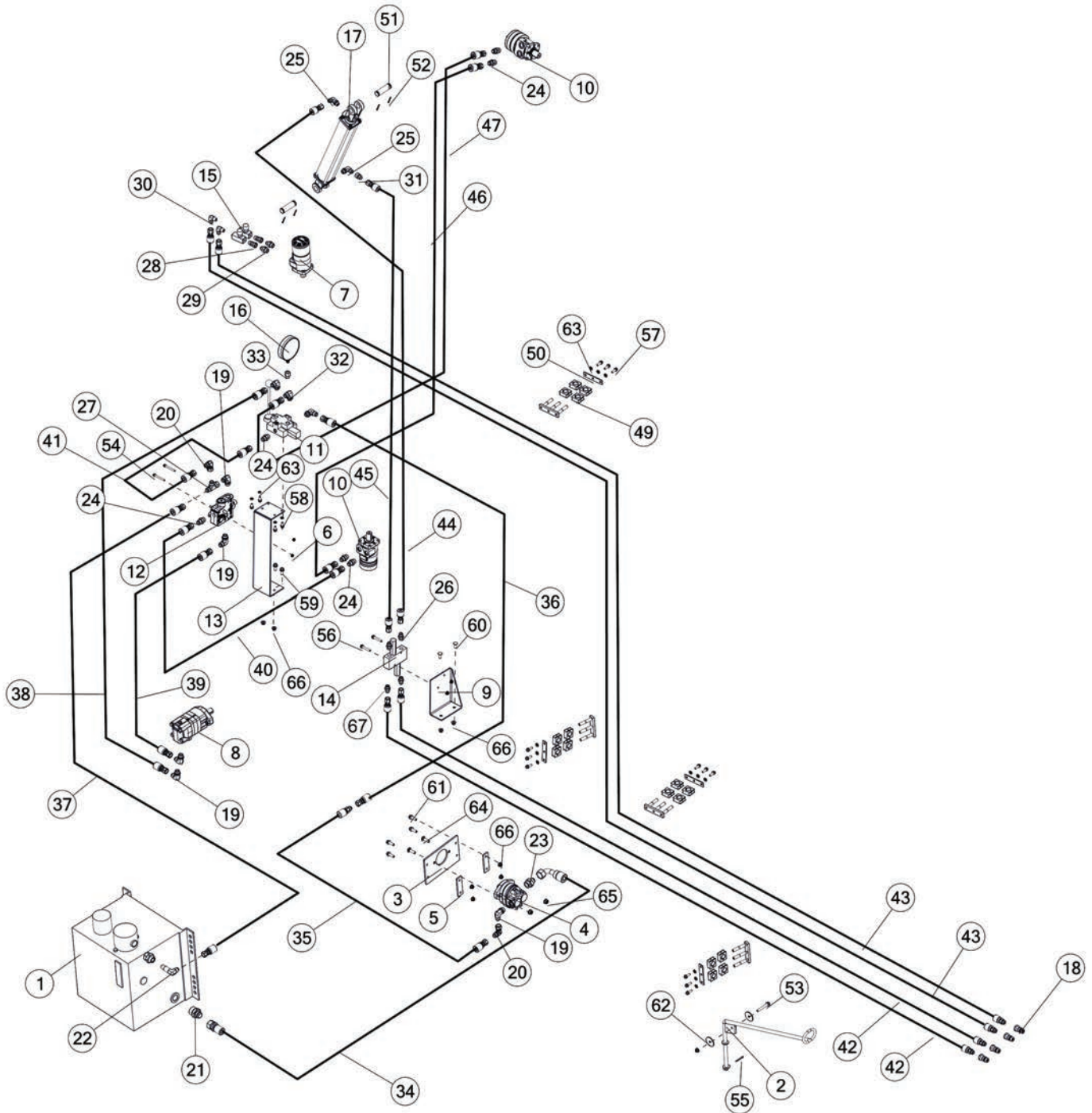
**FIGURE 20**  
**TRANSFER AUGER AND COMPONENTS**



**FIGURE 20**  
**TRANSFER AUGER AND COMPONENTS**

<b><u>ITEM</u></b>	<b><u>QTY</u></b>	<b><u>PART#</u></b>	<b><u>DESCRIPTION</u></b>
1	1	78665	TRANSFER AUGER ASSEMBLY
2	1	86534	SHAFT SHIELD
3	1	T40	BEARING W/LOCK COLLAR, 1
4	1	78254	AUGER COVER
5	1	74281	SHIM
6	2	YBFB12125	BOLT FLANGE, 3/8 X 1-1/4 G5
7	2	YNFG12006	NUT FLANGE, 3/8 GF
8	8	YNFG10005	NUT FLANGE, 5/16 GF
9	8	YBFB12003	BOLT FLANGE, 3/8 X 1 G5 ZC
10	2	YNHX12005	NUT HEX, 3/8
11	2	YWFL12010	WASHER FLAT, 3/8

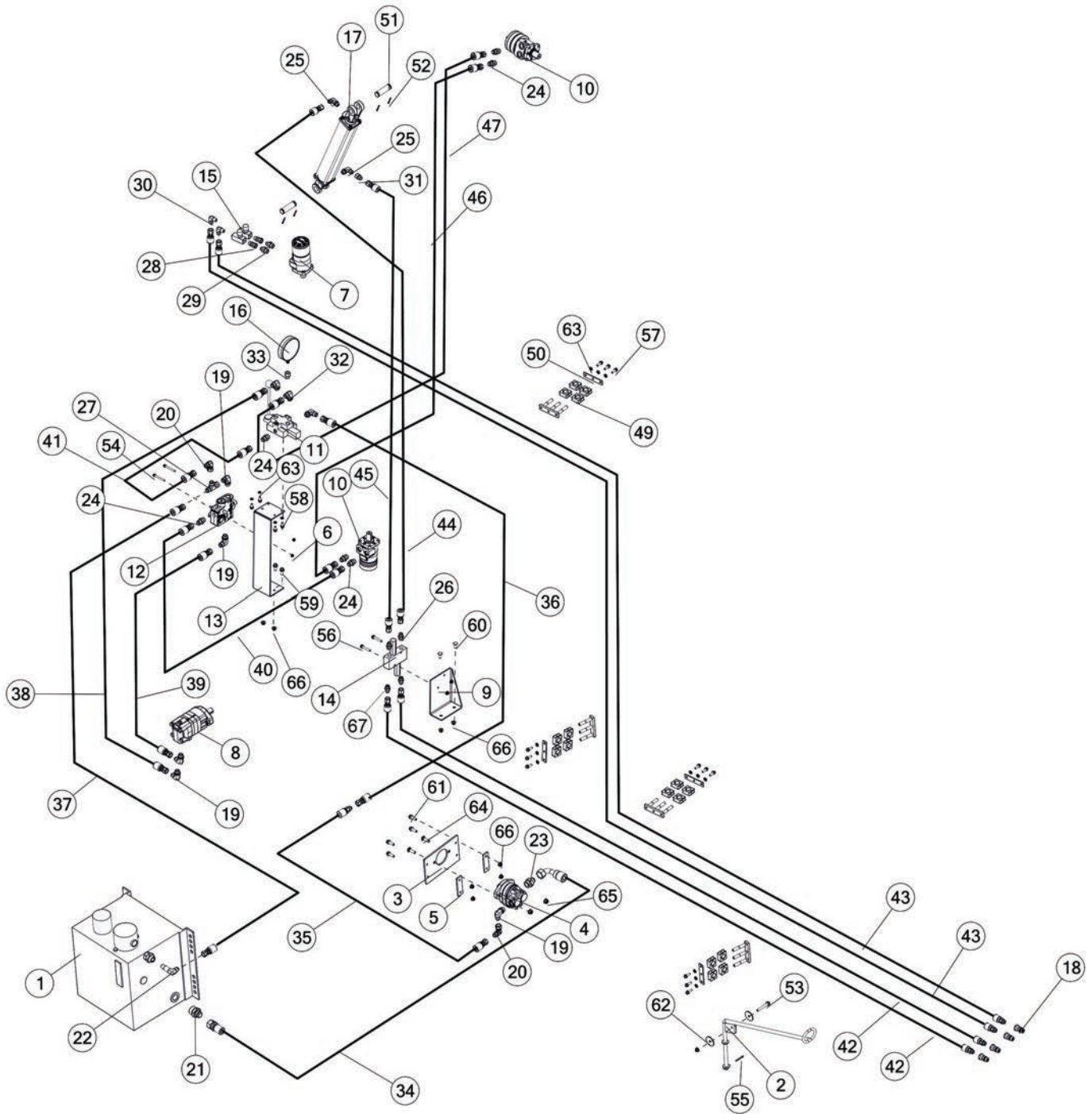
# FIGURE 21 HYDRAULICS



## FIGURE 21 HYDRAULICS

<u>ITEM</u>	<u>QTY</u>	<u>PART#</u>	<u>DESCRIPTION</u>
1	1	81577	HYD TANK, 12GAL
2	1	GM440	GRINDER HOSE HOLDER
3	1	81618	HYD PUMP BRACKET
4	1	81560	HYD PUMP
5	2	81620	PUMP SHIM, 0.19
6	2	YNFG08010	NUT FLANGE, 1/4 GF
7	1	81570	HYD MOTOR, 22.6CI
8	1	81565	HYD MOTOR, 6.2CI
9	1	84333	HYD VALVE BRKT
10	2	85344	HYD MOTOR, 10.1CI
11	1	81576	HYD VALVE, CONTROL
12	1	GM20	FLOW CONTROL
13	1	84297	CONTROL BRACKET
14	1	81571	HYD VALVE, CROSS PORT
15	1	CHM265	F600S PARKER COLOR FLOW NEEDLE VALVE
16	1	84937	HYD VALVE, GAUGE
17	1	78777	HYD CYLINDER, 2.5 X 18, ORB
18	1	67148	FITTING, ST, 8ORB, QUICK COUPLER TIP
19	5	GM56	FITTING 90, 10JIC X 10ORB
20	2	83997	FITTING 90, 10 JIC, 10 JIC
21	1	81644	FITTING, ST, 16JIC, 20NPT
22	1	84342	MALE ELBOW, 37DEC/NPT
23	1	8722	FITTING, ST, 12JIC, 12ORB, STL
24	6	GM57	FITTING, ST, 10JIC, 10ORB, STL
25	2	TS135	FITTING, ELBOW, 8-C5OX-S
26	2	TS137	FITTING, ST, 8 JIC, 8 ORB, STL
27	1	GM55	FITTING, TEE, 10JIC X 10JIC X 10JIC
28	2	84724	MALE CONNECTOR 37 DEG SWIVEL
29	2	GM27	FITTING, ST, 8JIC, 10ORB, STL
30	1	TS136	FITTING, 90, 8JIC X 3/8NPT
31	1	TS197	IN-LINE CONNECTOR, ORIFICE, 8-XHX7-S .031
32	1	83733	FITTING, 90, 10JIC X 8ORB
33	1	82668	FITTING, ST, 8ORB, 1/4NPT, STL
34	1	84338	HYD HOSE, 16, 80IN
35	1	83842	HYD HOSE, 10, 111IN
36	1	83844	HYD HOSE, 10, 242IN
37	1	83849	HYD HOSE, 10, 162IN
38	1	85986	HYD HOSE, 10, 40IN
39	1	83851	HYD HOSE, 10, 24IN
40	1	83850	HYD HOSE, 10, 36IN

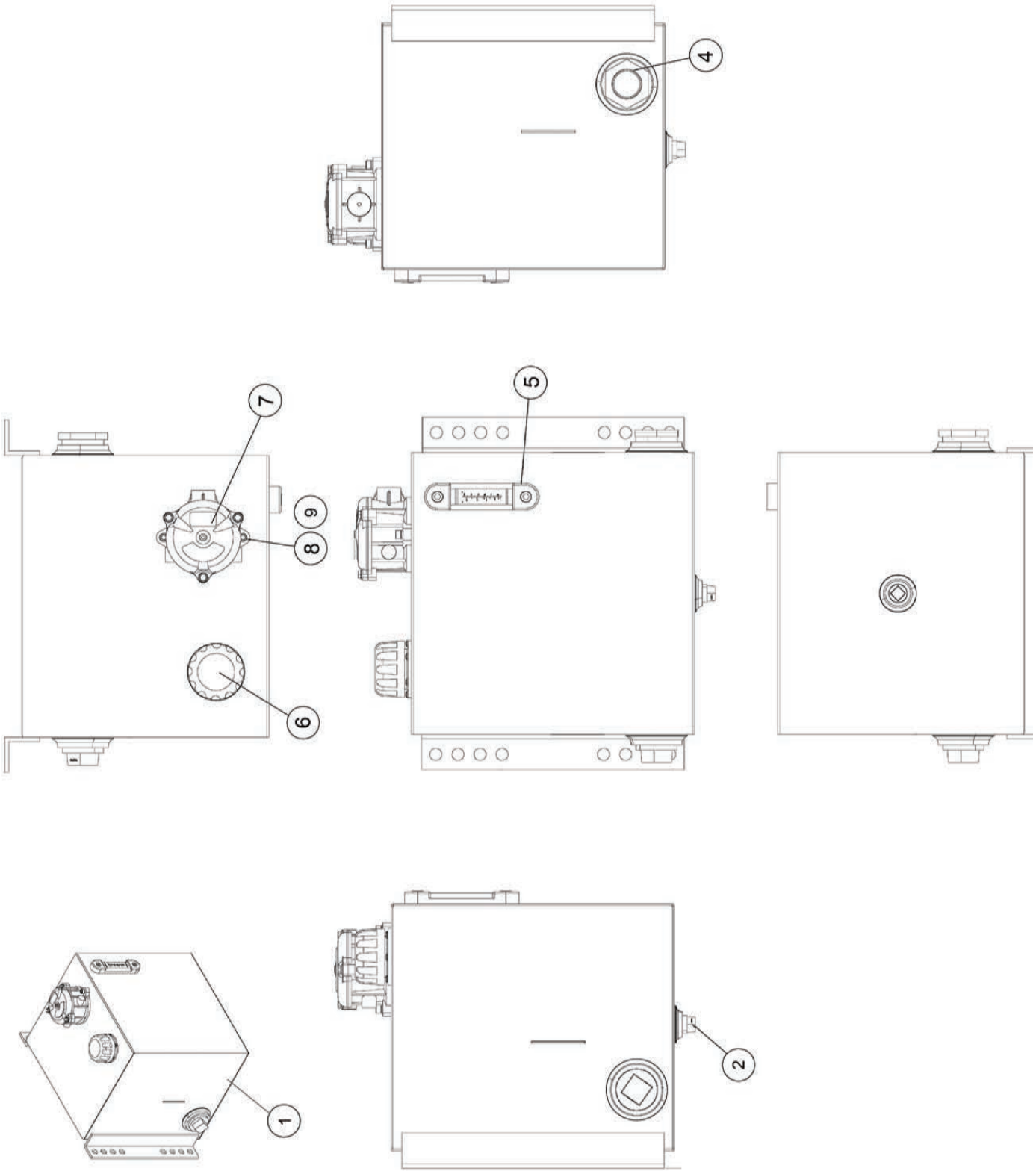
# FIGURE 21 HYDRAULICS



## FIGURE 21 HYDRAULICS

<u>ITEM</u>	<u>QTY</u>	<u>PART#</u>	<u>DESCRIPTION</u>
41	1	84731	HYD HOSE, 10, 32IN
42	1	83902	HYD HOSE, 8, 251IN
43	1	83903	HYD HOSE, 8, 288IN
44	1	83852	HYD HOSE, 8, 158IN
45	1	83853	HYD HOSE, 8, 172IN
46	1	83846	HYD HOSE, 10, 185IN
47	1	82561	HYD HOSE, 10, 185IN
48	2	82556	HYD HOSE, 10, 185IN
49	16	GM66	HOSE CLAMP INSERT 1/2
50	4	GM64	TOP PLATE
51	2	T143	HYDRAULIC CYLINDER PIN
52	4	YPCT05010	COTTER PIN 5/32 X 1-1/2
53	1	YBFB12275	BOLT FLANGE, 3/8 X 2-3/4 G5
54	2	YBFB08250	BOLT FLANGE, 1/4 X 2-1/2 G5
55	1	YPCT06005	COTTER PIN, 3/16 X 1-1/2
56	2	YBFB10200	BOLT FLANGE, 5/16 X 2 G5
57	12	YBFB10001	BOLT FLANGE, 5/16 X 1 G5
58	4	YBFB10075	BOLT FLANGE, 5/16 X 3/4 G5
59	2	YBFB12003	BOLT FLANGE, 3/8 X 1 G5
60	2	YBCR12010	BOLT CARRIAGE, 3/8-16 X 1 G5 ZC
61	4	YBFB12125	BOLT FLANGE, 3/8 X 1-1/4 G5
62	2	YWCU99005	WASHER, CUSTOM, FENDER 3/8 X 2OD
63	4	YWLO1005	WASHER LOCK
64	2	YBCR14007	BOLT CARRIAGE, 7/16-14 X 1-1/2 G5 ZC
65	2	YNFG14011	NUT FLANGE, 7/16 GF
66	4	YNFG12006	NUT FLANGE, 3/8 GF
67	2	TS137	FITTING, ST, 8 JIC, 8 ORB STL

**FIGURE 22**  
**HYDRAULIC TANK**



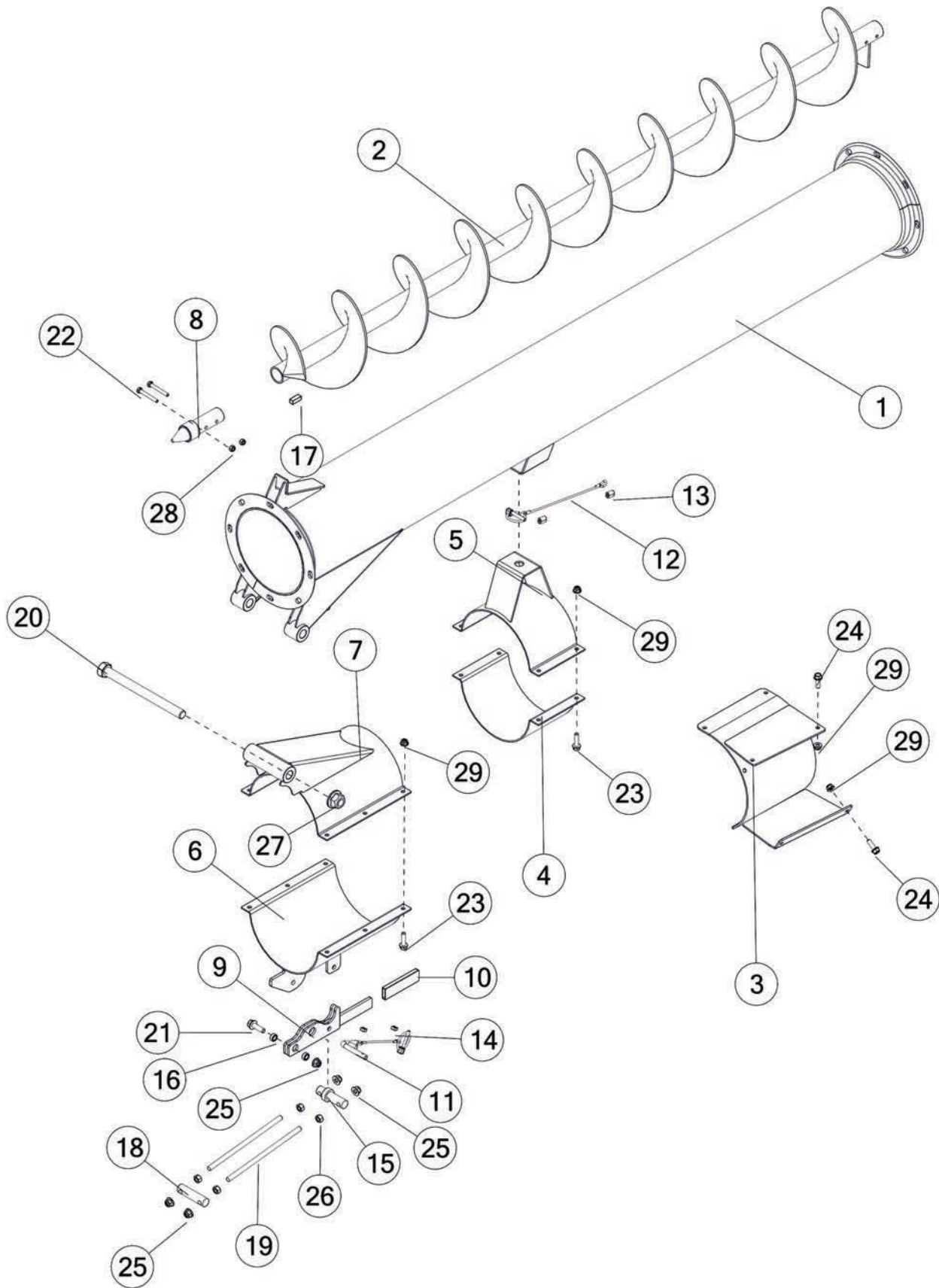


**FIGURE 22**  
**HYDRAULIC TANK**

<u>ITEM</u>	<u>QTY</u>	<u>PART#</u>	<u>DESCRIPTION</u>
1	1	90612	OIL TANK
2	1	90618	TANK PLUG
3	1	90613	DRAIN PLUG, MAGENT
4	1	90614	SUCTION STRAINER
5	1	90615	TANK GUAGE
6	1	90616	TANK BREATHER
7	1	90617	TANK FILTER
8	2	YSHS10010	BOLT SOCKET, 5/16 X 1-1/4
9	2	YWHC12006	WASHER LOCK, 5/16

# FIGURE 23

## 6' FOLDING EXTENSION OPTION

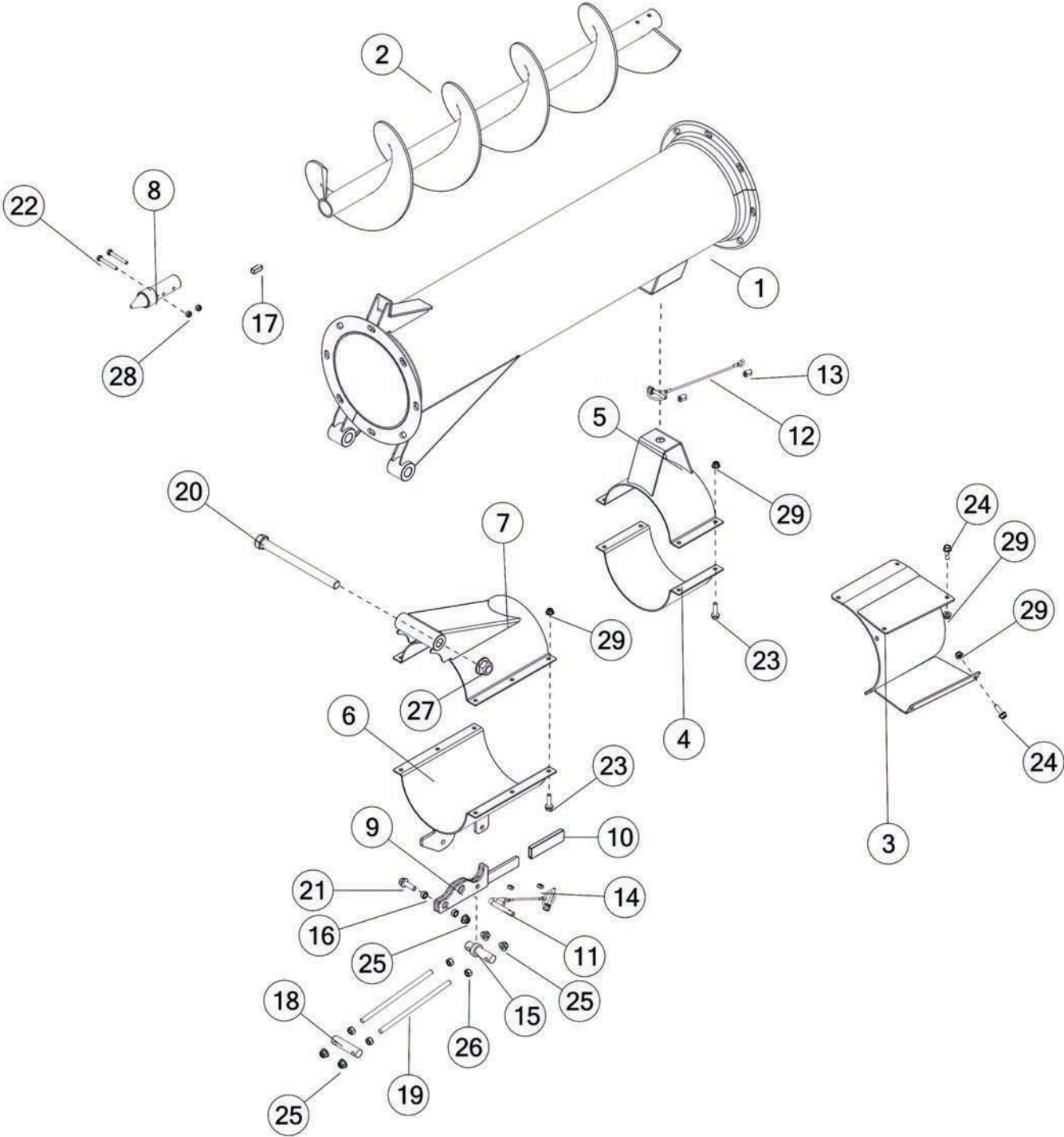


## FIGURE 23

### 6' FOLDING EXTENSION OPTION

<u>ITEM</u>	<u>QTY</u>	<u>PART#</u>	<u>DESCRIPTION</u>
1	1	GM278	6 FT EXTENSION HOUSING
2	1	GM531	6 FT EXTENSION AUGER (CUPPED FLIGHTING)
3	1	GM514	CRADLE EXTENSION
4	1	GM289	TRANSPORT LOCK CLAMP
5	1	GM290	TRANSPORT LOCK LATCH
6	1	GM284	LATCH CLAMP
7	1	GM283	PIVOT CLAMP
8	1	GM282	AUGER CONNECT SHAFT
9	1	GM285	LATCH HANDLE
10	1	GM370	HANDLE GRIP
11	1	GM573	LATCH PIN W/CLIP PIN & LANYARD
12	1	S122	LYNCH PIN W/CABLE
13	2	71279	SLEEVE
14	2	ES15	CABLE CLAMP, 1/8
15	1	GM369	LATCH PIVOT PIN
16	2	GM180	DOOR PIVOT
17	1	50N140	SQUARE KEY, 3/8 X 1
18	1	GM286	LATCH PIVOT SHAFT
19	2	GM287	LATCH ROD
20	1	YBHH24120	BOLT HEX, 3/4-10 X 9 G5 ZC
21	1	YBFB12125	BOLT FLANGE, 3/8 X 1-1/4 G5
22	2	YBHH08045	BOLT HEX, 1/4 X 2 G5
23	10	YBFB10125	BOLT FLANGE, 5/16 X 1-1/4 G5
24	4	YBFB10001	BOLT FLANGE, 5/16 X 1 G5
25	5	YNFG12006	NUT FLANGE, 3/8 GF
26	4	YNHX12004	NUT HEX, 3/8 G2
27	1	YNFG24006	NUT FLANGE, TOPLOCK 3/4 GG
28	2	YNNY08005	NUT HEX, NYLON LOCKNUT, 1/4 G2
29	14	YNFG10005	NUT FLANGE, 5/16 GF

**FIGURE 24**  
**3' FOLDING EXTENSION OPTION**

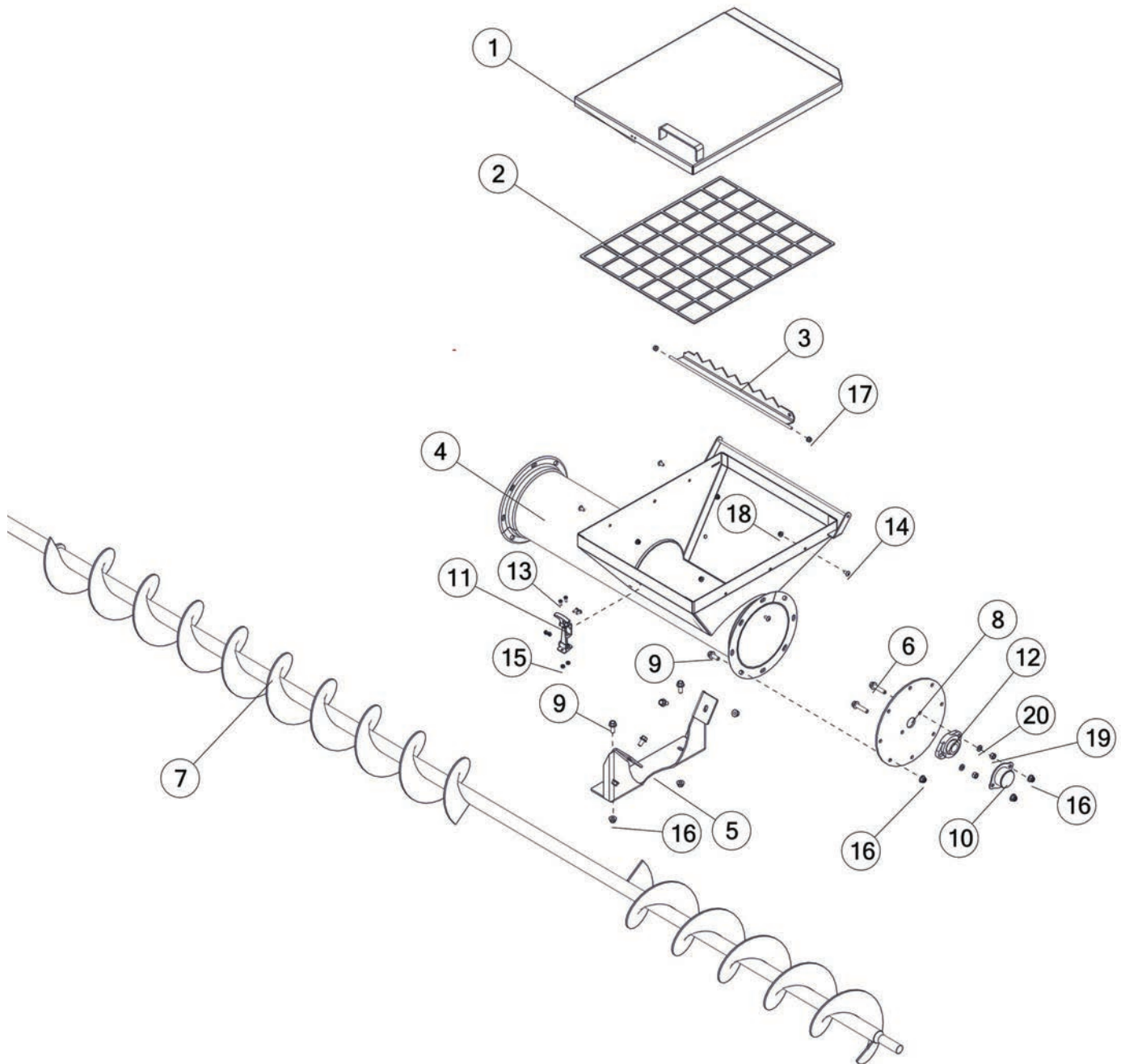


## FIGURE 24

### 3' FOLDING EXTENSION OPTION

<u>ITEM</u>	<u>QTY</u>	<u>PART#</u>	<u>DESCRIPTION</u>
1	1	GM279	3 FT EXTENSION HOUSING
2	1	GM530	3 FT EXTENSION AUGER (CUPPED FLIGHTING)
3	1	GM514	CRADLE EXTENSION
4	1	GM289	TRANSPORT LOCK CLAMP
5	1	GM290	TRANSPORT LOCK LATCH
6	1	GM284	LATCH CLAMP
7	1	GM283	PIVOT CLAMP
8	1	GM282	AUGER CONNECT SHAFT
9	1	GM285	LATCH HANDLE
10	1	GM370	HANDLE GRIP
11	1	GM573	LATCH PIN W/CLIP PIN & LANYARD
12	1	S122	LYNCH PIN W/CABLE
13	2	71279	SLEEVE
14	2	ES15	CABLE CLAMP, 1/8
15	1	GM369	LATCH PIVOT PIN
16	2	GM180	DOOR PIVOT
17	1	50N140	SQUARE KEY, 3/8 X 1
18	1	GM286	LATCH PIVOT SHAFT
19	2	GM287	LATCH ROD
20	1	YBHH24120	BOLT HEX, 3/4-10 X 9 G5 ZC
21	1	YBFB12125	BOLT FLANGE, 3/8 X 1-1/4 G5
22	2	YBHH08045	BOLT HEX, 1/4 X 2 G5
23	10	YBFB10125	BOLT FLANGE, 5/16 X 1-1/4 G5
24	4	YBFB10001	BOLT FLANGE, 5/16 X 1 G5
25	5	YNFG12006	NUT FLANGE, 3/8 GF
26	4	YNHX12004	NUT HEX, 3/8 G2
27	1	YNFG24006	NUT FLANGE, TOPLOCK 3/4 GG
28	2	YNNY08005	NUT HEX, NYLON LOCKNUT, 1/4 G2
29	14	YNFG10005	NUT FLANGE, 5/16 GF

# **FIGURE 25** **REAR SUPPLEMENT HOPPER OPTION**



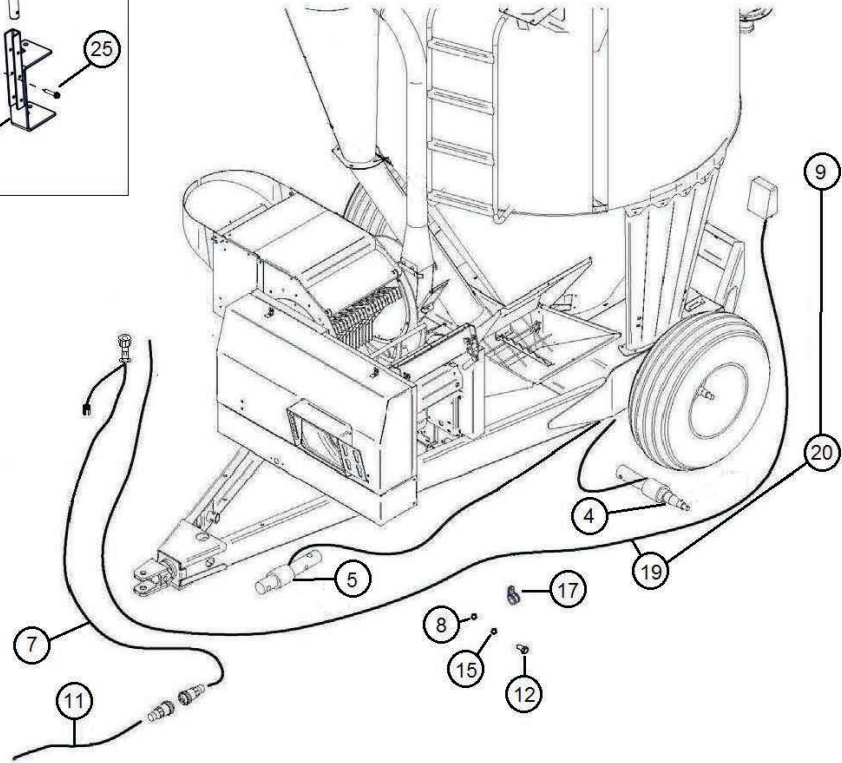
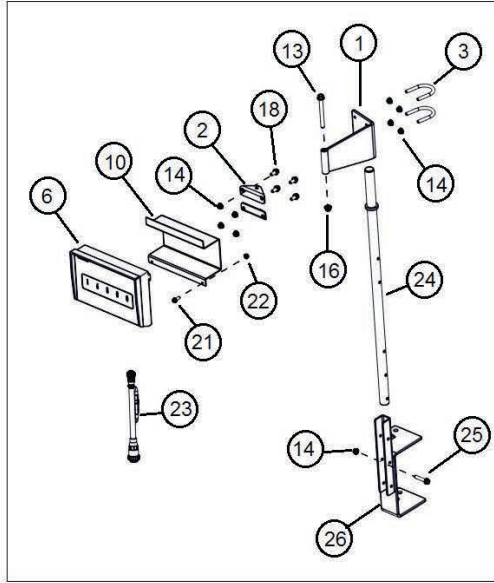
## FIGURE 25

### REAR SUPPLEMENT HOPPER OPTION

<u>ITEM</u>	<u>QTY</u>	<u>PART#</u>	<u>DESCRIPTION</u>
1	1	85805	HOPPER COVER, REAR
2	1	85422	STL PANEL, SCREEN
3	1	85435	BREAKER, ANGLE
4	1	85815	FEED TANK
5	1	85390	HOPPER BRKT, REAR
6	2	YBFB12175	BOLT FLANGE, 3/8 X 1-3/4 G5
7	1	89995	AUGER ASSY, TRANSFER
8	1	78254	AUGER COVER
9	12	YBFB12003	BOLT FLANGE, 3/8 X 1 G5
10	1	89622	BEARING FLANGE GUARD
11	1	X233	079-0101 LATCH ASSEMBLY
12	1	T40	BEARING, 2 BOLT, 1 BORE W/COLLAR
13	4	YSPP64005	MISC, PHILLIPS PAN HEAD TYPE, 10-32 X 1/2
14	4	YSTP08005	TRUSS HEAD PHILLIPS MACH. SCREW, 1/4-20 X 1/2
15	4	YNNY64006	NUT HEX, 10-32 SS
16	14	YNFG12006	NUT FLANGE, 3/8 GF
17	2	YNFG08005	NUT FLANGE, 1/4-20 LKTL F ZC
18	4	YNFG08010	NUT FLANGE, 1/4 GF
19	2	YNHX12005	NUT HEX, 3/8
20	2	YWLO12005	WASHER LOCK, 3/8

# FIGURE 26

## 2500 SCALE OPTION





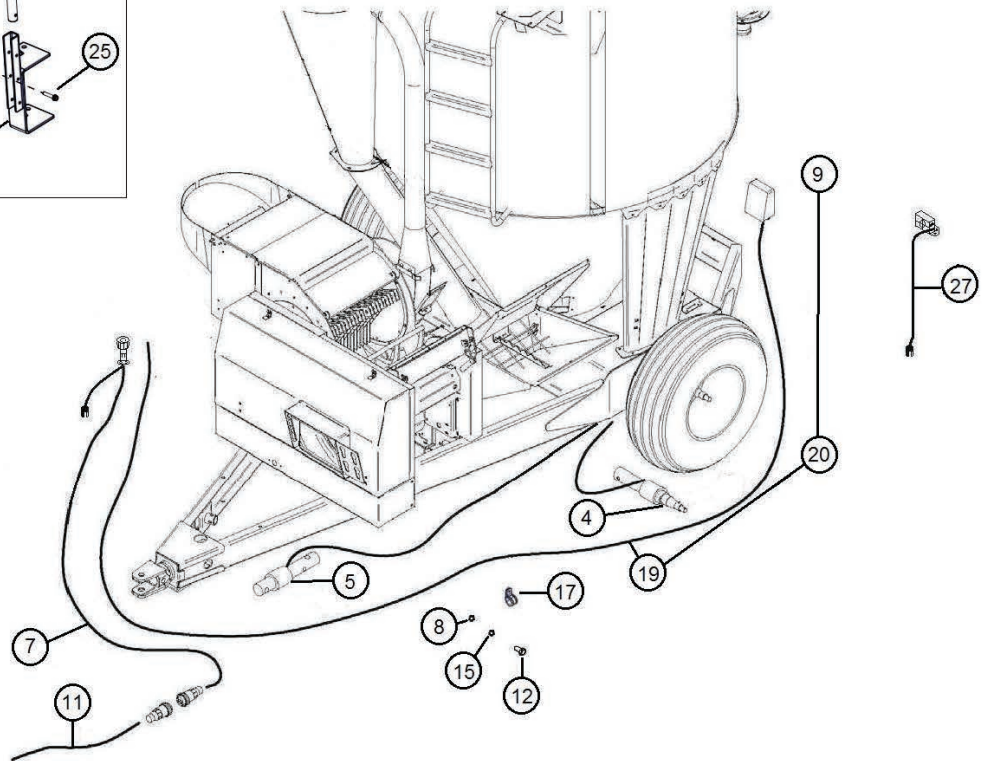
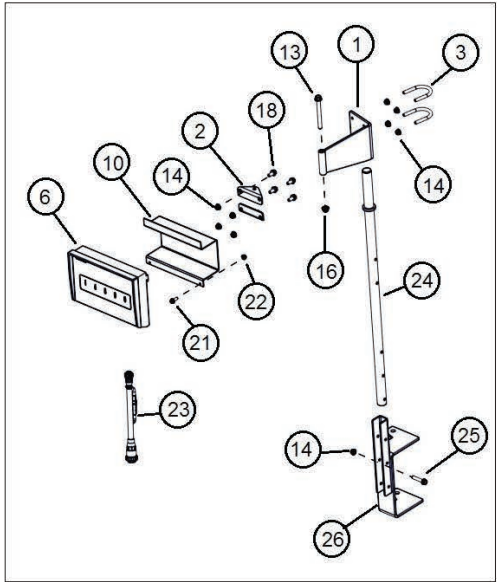
## FIGURE 26

### 2500 SCALE OPTION

<u>ITEM</u>	<u>QTY</u>	<u>PART#</u>	<u>DESCRIPTION</u>
1	1	85110	SCALE BRACKET
2	2	GM401	CONTROL BOX MOUNT
3	2	YBPU10005	BOLT ,U-BOLT, 5/16-18 X 1-1/2
4	2	GM402	SPINDLE LOAD CELL
5	1	GM403	HITCH LOAD CELL
6	1	GM404	SCALE MONITOR
7	1	77616	ELECTRIC HARNESS, POWER
8	1	YNHX08005	NUT HEX, 1/4 G5
9	1	GM407	JUNCTION BOX
10	1	GM408	SCALE HANGER BRACKET
11	1	16SV269	TRACTOR CONTROL HARNESS
12	1	YBHH08100	BOLT HEX, 1/4 X 3/4 G5
13	1	YBFB12400	BOLT FLANGE, 3/8 X 4 G5
14	9	YNFG10005	NUT FLANGE, 5/16 GF
15	1	YWLO08005	WASHER LOCK, 1/4
16	1	YNFG12006	NUT FLANGE, 3/8 GF
17	1	HGV162	RUBBER WIRE HOLDER, 1/2
18	4	YBFB10075	BOLT FLANGE, 5/16 X 3/4 G5
19	1	GM406	JUNCTION BOX CORD
20	1	77617	JUNCTION BOX KIT
21	2	YBFB08075	BOLT FLANGE, 1/4 X 3/4 G5
22	2	YNFG08010	NUT FLANGE , 1/4 GF
23	1	77616	ELEC HARNESS, POWER
24	1	85120	SCALE BRACKET, POST
25	1	YBFB10175	BOLT FLANGE, 5/16 X 1-3/4 G5
26	1	85125	SCALE BRACKET

# FIGURE 27

## 3410 SCALE OPTION

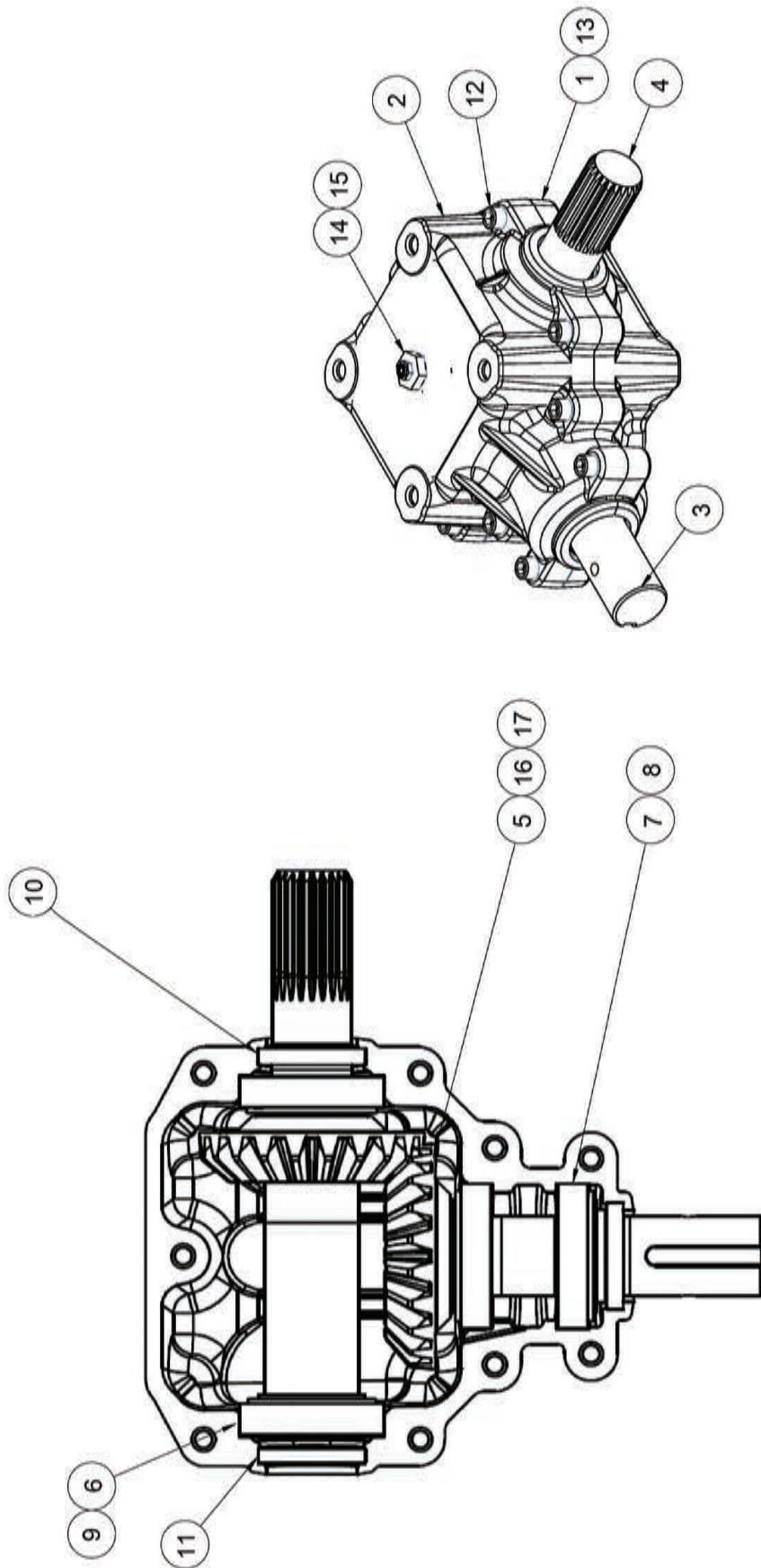


## FIGURE 27

### 3410 SCALE OPTION

<u>ITEM</u>	<u>QTY</u>	<u>PART#</u>	<u>DESCRIPTION</u>
1	1	85110	SCALE BRACKET
2	2	GM401	CONTROL BOX MOUNT
3	2	YBPU10005	BOLT,U-BOLT,5/16-18X1-1/2
4	2	GM402	SPINDLE LOAD CELL
5	1	GM403	HITCH LOAD CELL
6	1	GM466	SCALE DISPLAY W/ALARM
7	1	77616	ELECTRIC HARNESS, POWER
8	1	YNHX08005	NUT HEX, 1/4 G5
9	1	GM407	JUNCTION BOX
10	1	GM408	SCALE HANGER BRACKET
11	1	16SV269	TRACTOR CONTROL HARNESS
12	1	YBHH08100	BOLT HEX, 1/4 X 3/4 G5
13	1	YBFB12400	BOLT FLANGE, 3/8 X 4 G5
14	9	YNFG10005	NUT FLANGE, 5/16 GF
15	1	YWLO08005	WASHER LOCK, 1/4
16	1	YNFG12006	NUT FLANGE, 3/8 GF
17	1	HGV162	RUBBER WIRE HOLDER, 1/2
18	4	YBFB10075	BOLT FLANGE, 5/16 X 3/4 G5
19	1	GM406	JUNCTION BOX CORD
20	1	77617	JUNCTION BOX KIT
21	2	YBFB08075	BOLT FLANGE, 1/4 X 3/4 G5
22	2	YNFG08010	NUT FLANGE , 1/4 GF
23	1	77616	ELECTRIC HARNESS, POWER
24	1	85120	SCALE BRACKET, POST
25	1	YBFB10175	BOLT FLANGE, 5/16 X 1-3/4 G5
26	1	85125	SCALE BRACKET
27	1	57399	HORN-ALARM PACK W/BRACKET

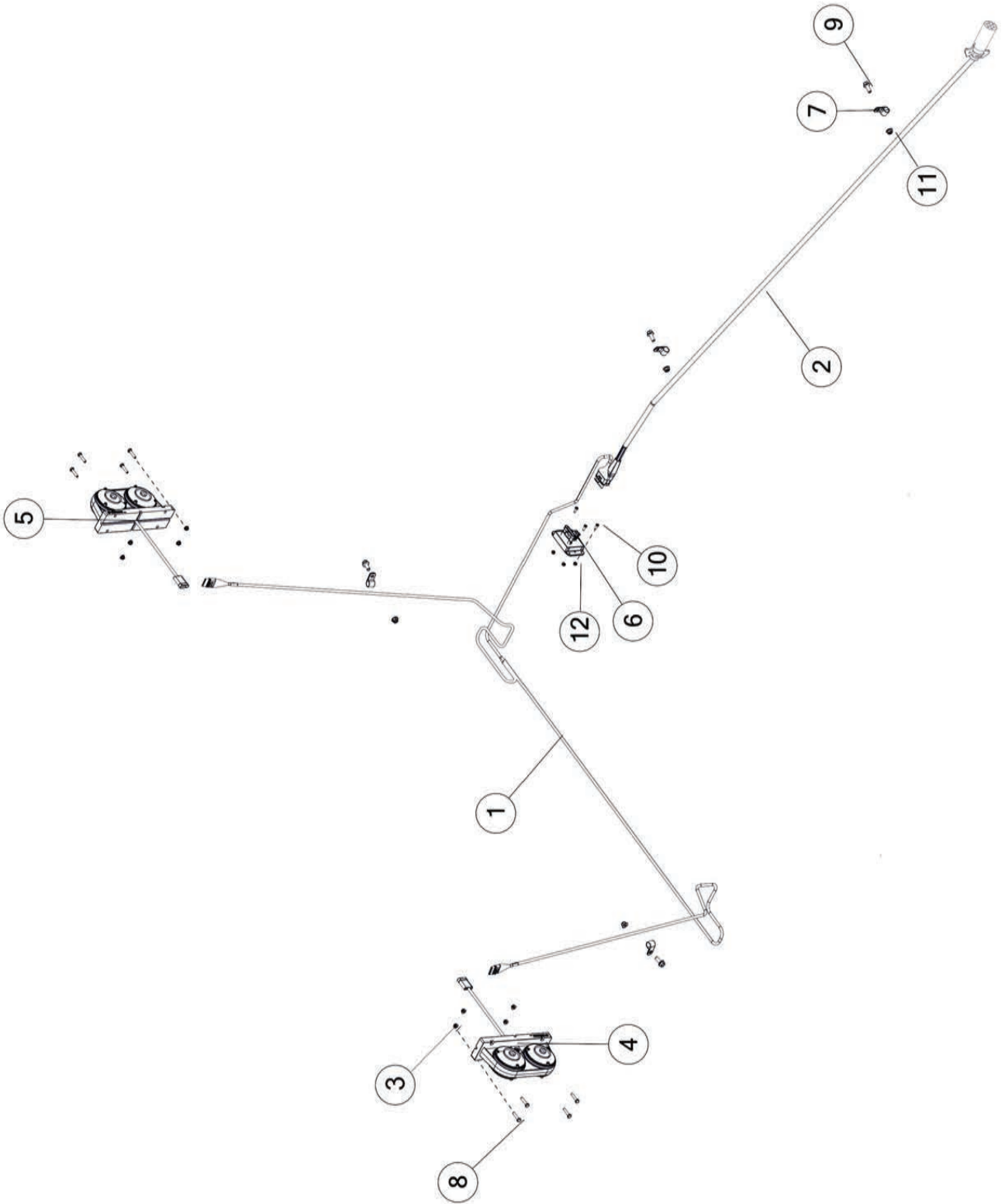
**FIGURE 28**  
**GEARBOX**



## **FIGURE 28** **GEARBOX**

<b><u>ITEM</u></b>	<b><u>QTY</u></b>	<b><u>PART#</u></b>	<b><u>DESCRIPTION</u></b>
1	1	18VB20	BOTTOM HOUSING
2	1	86140	TOP HOUSING
3	1	88893	SHAFT
4	1	88894	SHAFT
5	1	88895	GEAR
6	1	G53	BEARING CONE
7	1	88896	BEARING CONE
8	1	88897	BEARING CUP
9	1	18VB25	RACE
10	2	18VB34	SEAL
11	1	86150	SEAL
12	9	YSHS12008	BOLT SOCKET, 3/8 X 1-1/2 G8
13	1	HGV95	PLUG, 1/2 NPT
14	1	SD133	BUSHING, 1/2 TO 1/8
15	1	86156	PLUG VENT, 1/8
16	1	88898	SPACER
17	1	88899	KEY

**FIGURE 29**  
**LIGHTS**



## FIGURE 29 LIGHTS

<u>ITEM</u>	<u>QTY</u>	<u>PART#</u>	<u>DESCRIPTION</u>
1	1	84248	ELEC HARNESS, TAIL LIGHTS
2	1	89684	ELECTRIC HARNESS, LIGHT
3	8	YNFG08010	NUT FLANGE, 1/4 GF
4	1	77924	TAIL LIGHT ASSY, RH
5	1	77923	TAIL LIGHT ASSY, LH
6	1	69908	MODULE, CONTROL, BLINKER
7	4	HGV72	CUSHION WIRE CLAMP 3/4
8	8	YBHH08030	BOLT HEX, 1/4 X 1-1/4 G2
9	5	YBFB12003	BOLT FLANGE, 3/8 X 1 G5
10	3	YSPN64005	MACHINE PPHS, #10-24 X 5/8 ZINC
11	5	YNFG12006	NUT FLANGE, 3/8 GF
12	3	YNNY64005	NUT HEX, #10-24 LKNY G2 ZC

**FIGURE 30**  
**540 RPM PTO OPTIONAL**



## FIGURE 30

### 540 RPM PTO OPTIONAL

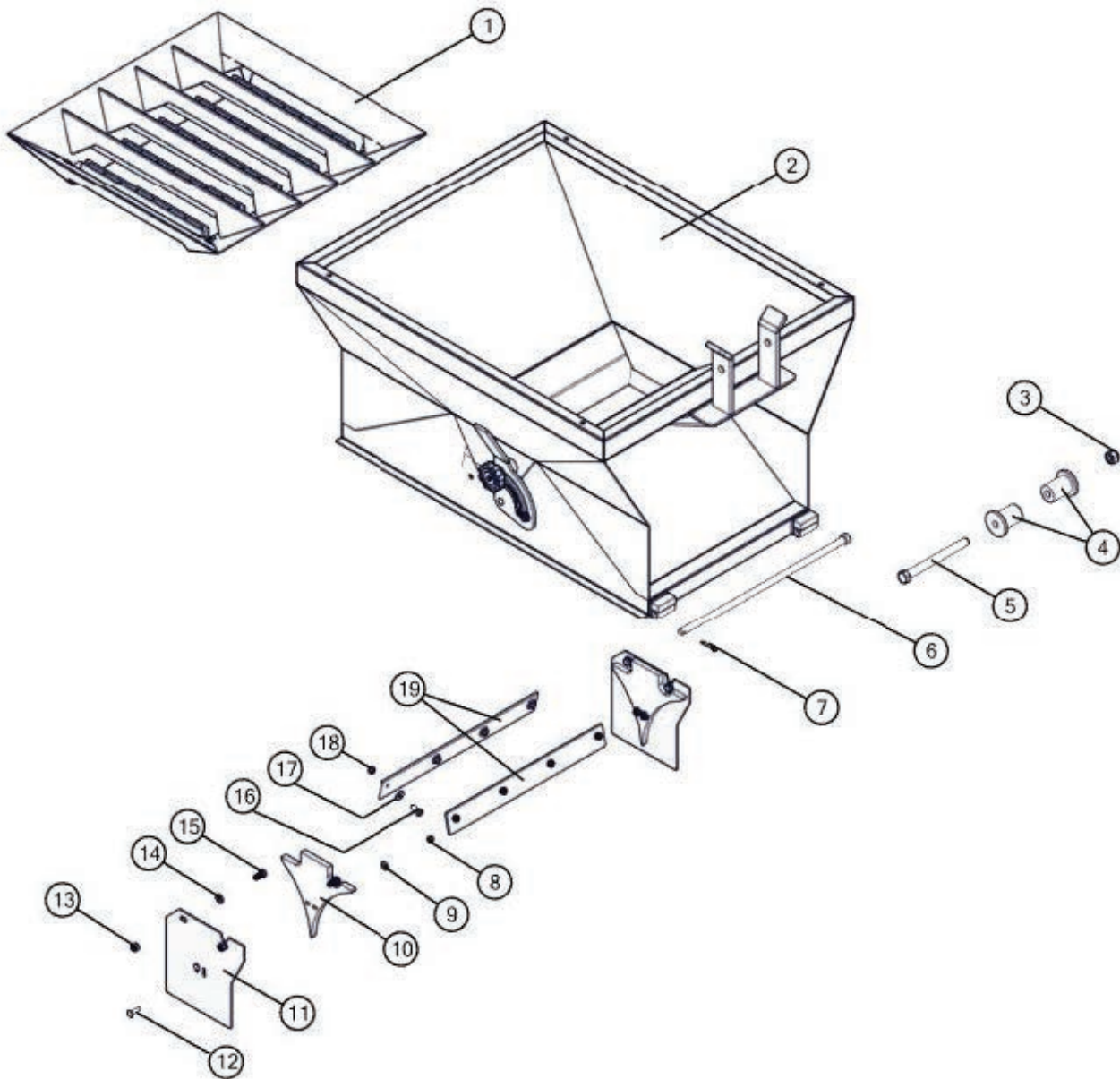
<u>ITEM</u>	<u>QTY</u>	<u>PART#</u>	<u>DESCRIPTION</u>
1	1	16SV274	SAFETY SLIDE LOCK REPAIR KIT, 1-3/8
2	1	GM374	SAFETY SLIDE LOCK YOKE ASSY 540 RPM
3	2	GM376	55R CROSS & BEARING KIT
4	1	GM377	YOKE & SHAFT
5	2	GM378	NYLON REPAIR KIT
6	1	16SV283	DECAL, PTO SAFETY
7	1	GM379	SAFETY SIGN 540 RPM
8	1	GM381	OUTER GUARD
9	1	GM382	INNER GUARD
10	1	16SV286	SAFETY SIGN (C.V INSTRUCTIONAL DECAL)
11	1	GM383	YOKE, TUBE & SLIP SLEEVE
12	1	GM384	YOKE
13	1	GM385	JOINT & SHAFT HALF ASSY W/GUARD
14	1	GM386	JOINT & SHAFT HALF ASSY
15	1	GM387	JOINT & TUBE HALF ASSY W/GUARD
16	1	GM388	JOINT & TUBE HALF ASSY
17	1	GM389	COMPLETE PTO 540 RPM
18	1	N/A	N/A
*	1	S402	MANUAL-AG IMPLEMENT DRIVELINES

# ROLLER MILL

# CONTENTS

Figure 1 - Top Hopper . . . . .	66-67
Figure 2 - Top Hopper (Knob) . . . . .	68-69
Figure 3 - Roller Mill Upper Half . . . . .	70-71
Figure 4 - Worm Drive Roll Adjustment . . . . .	72-73
Figure 5 - Roll Drive Rear . . . . .	74-75
Figure 6 - Feed Auger Assembly . . . . .	76-77
Figure 7 - Crank Assembly . . . . .	78-79
Figure 8 - Feed Auger Hydraulics . . . . .	80-81
Figure 9 - Roll Bushing Assembly B-Loc Bushing . . . . .	82-83

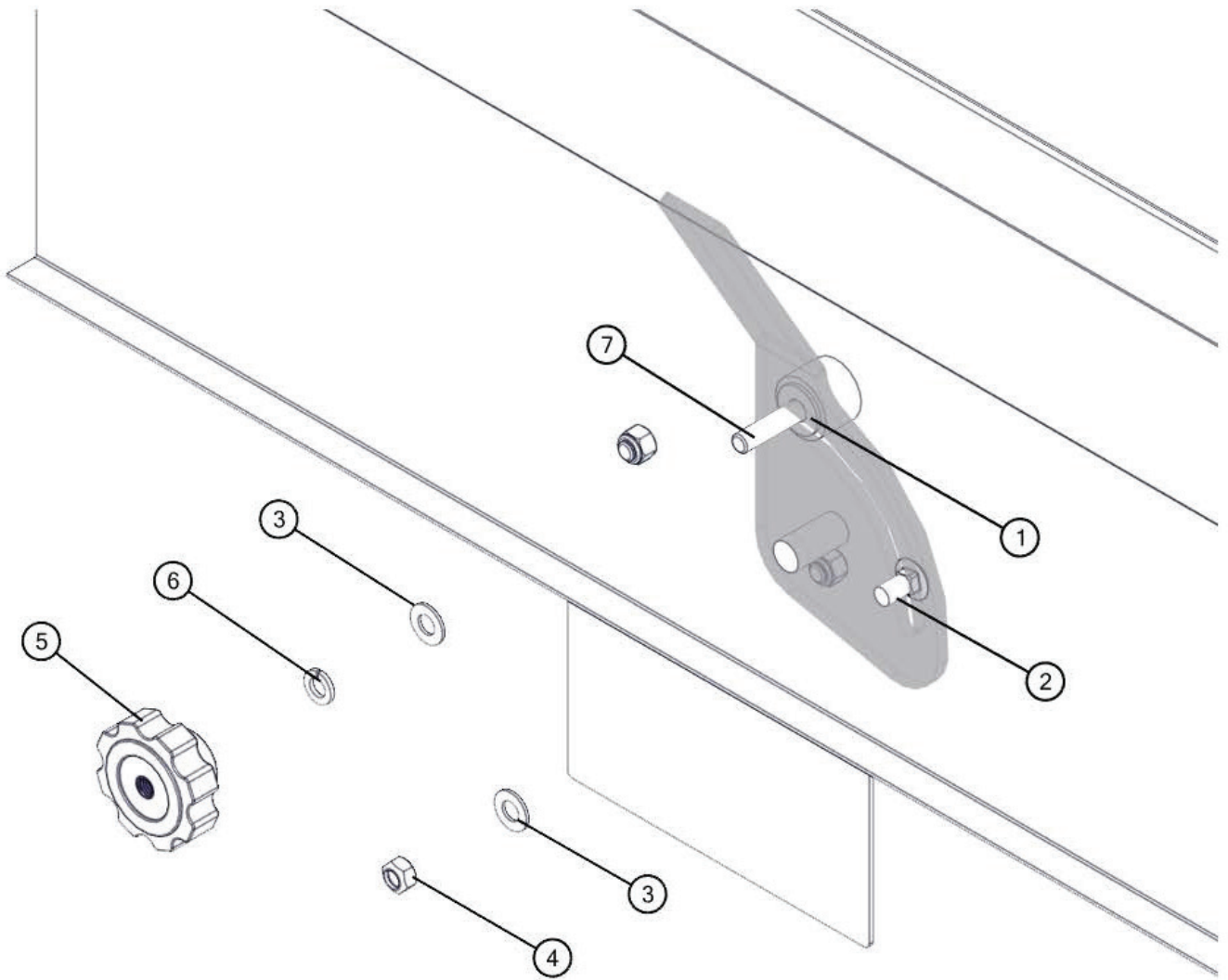
# FIGURE 1 TOP HOPPER



# FIGURE 1

<u>ITEM</u>	<u>QTY</u>	<u>PART#</u>	<u>DESCRIPTION</u>
1	1	RN611800-0003.00	GRATE MAGNET - 12" ROLLER MILL
2	1	RN611800-0507.00	18" TOP HOPPER WELDMENT - 2020
3	1	RN167200-0690	NYLOC NUT - 5/8" NC GR.5 PL
4	2	RN413000-0580.00	GUIDE ROLLER - FEED AUGER
5	1	RN159400-0748	HEX BOLT 5/8" X 7" GR.5 PL
6	1	RN611800-0007.00	HINGE PIN
7	1	RN170000-0180	COTTER PIN - 3/16" X 1"
8	4	RN167200-0642	NYLOC NUT - 1/4" NC GR.5 PL
9	4	RN168000-0022	FLAT WASHER - 1/4" USS PL
10	2	RN147100-0287	UHMW WEAR PLATE INSERT - 8"
11	2	RN414000-0872.00	WEAR PLATE - 8" FRAME - SHELL CAST ROLLS - MILLS
12	4	RN163100-0103	CARRIAGE BOLT - 1/4" NC X 1" GR.5 PL
13	4	RN167200-0652	NYLOC NUT - 3/8" NC GR.5 PL
14	4	RN168000-0540	FLAT WASHER - 3/8" SAE
15	4	RN159300-0944	HEX BOLT - 3/8" NC X 3/4" GR.5 PL
16	8	RN159300-0730	HEX BOLT - 5/16" NC X 3/4" GR.5 PL
17	8	RN168000-0040	FLAT WASHER - 5/16" USS PL
18	8	RN167200-0648	NYLOC NUT - 5/16" NC GR.5 PL
19	2	RN411800-0514.00	BELT - GRAIN CONTAINMENT - TOP HOPPER

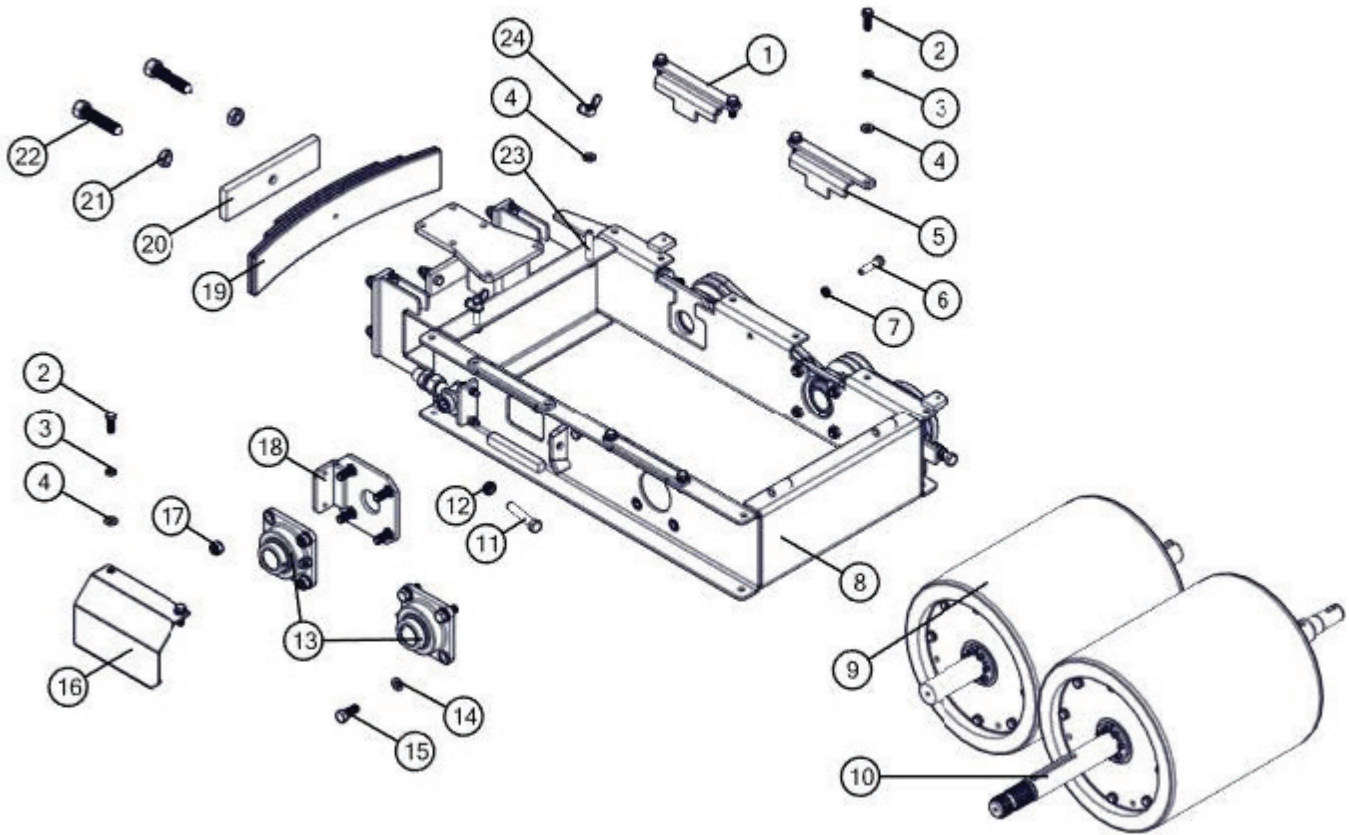
**FIGURE 2**  
**TOP HOPPER (KNOB)**



## FIGURE 2

<u>ITEM</u>	<u>QTY</u>	<u>PART#</u>	<u>DESCRIPTION</u>
1	1	RN168000-0049	FLAT WASHER - 3/8" USS PL
2	1	RN163000-0506	CARRIAGE BOLT 3/8" NC X 3/4" GR.5 PL
3	2	RN168000-0540	FLAT WASHER - 3/8" SAE
4	1	RN167200-0412	LOCK NUT - 3/8" NC
5	1	RN140000-0224	LOCK KNOB
6	1	RN168600-0071	LOCK WASHER - 3/8" PL
7	1	RN159400-0004	HEX BOLT - 3/8" NC X 2-1/2" GR.5 PL

# FIGURE 3 ROLLER MILL UPPER HALF

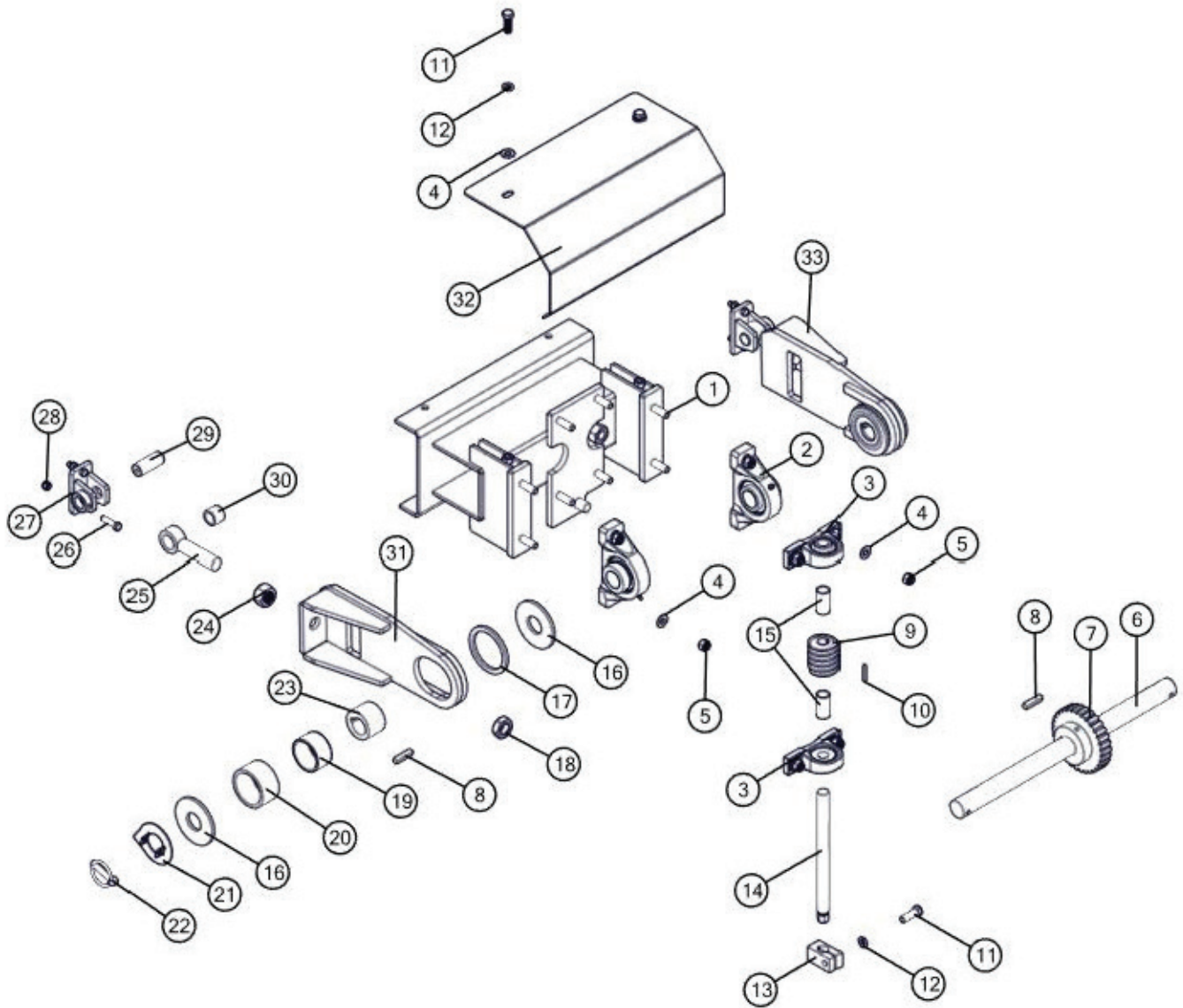




## FIGURE 3

<u>ITEM</u>	<u>QTY</u>	<u>PART#</u>	<u>DESCRIPTION</u>
1	2	RN612400-0541.00	MAIN FRAME INSERT
2	8	RN159400-0401	HEX BOLT - 1/2" NC X 1-1/2" GR.5 PL
3	8	RN168600-0098	LOCK WASHER - 1/2" PL
4	10	RN168000-0544	FLAT WASHER - 1/2" SAE PLTD
5	2	RN614000-0182.02	MAIN FRAME INSERT
6	2	RN159600-0420	HEX BOLT - FULL THREAD - 1/2" NC X 2" GR.5 PL
7	2	RN167000-0650	JAM NUT - 1/2" NC GR.5 PL
8	1	RN615100-0804.00	18" MILL FRAME WELDMENT
9	1	RN711800-0510.00	18" IDLER ROLL B-LOC - 1 15/16"
10	1	RN711800-0527.00	18" DRIVE ROLL B-LOC 1 15/16" - H&S 2019
11	2	RN159600-0535	HEX BOLT - FULL THREAD - 5/8" NC X 3-1/2" GR.5 PL
12	2	RN167000-0658	JAM NUT - 5/8" NC GR.5 PL
13	4	RN114000-0019	1-15/16" - 4 BOLT FLANGE BEARING
14	8	RN168600-0120	LOCK WASHER - 5/8" PL
15	8	RN159400-0594	HEX BOLT - 5/8" NC X 1-1/2" GR.5 PL
16	1	RN414000-0664.01	BEARING SHIELD
17	8	RN167200-0690	NYLOC NUT - 5/8" NC GR.5 PL
18	2	RN615000-0695.01	BEARING SLIDE - BOLTED HEAD 8" FRAME
19	1	RN303100-0025	LEAF SPRING
20	1	RN414000-0062.03	SPRING PUSH PLATE
21	2	RN167000-0693	JAM NUT - 7/8" NC GR.5 PL
22	2	RN614000-0328.00	SPRING ADJUSTMENT SCREW - 7/8" NC
23	2	RN159400-0460	HEX BOLT - 1/2" NC X 3" GR.5 PL
24	2	RN167100-0995	WING NUT 1/2" NC

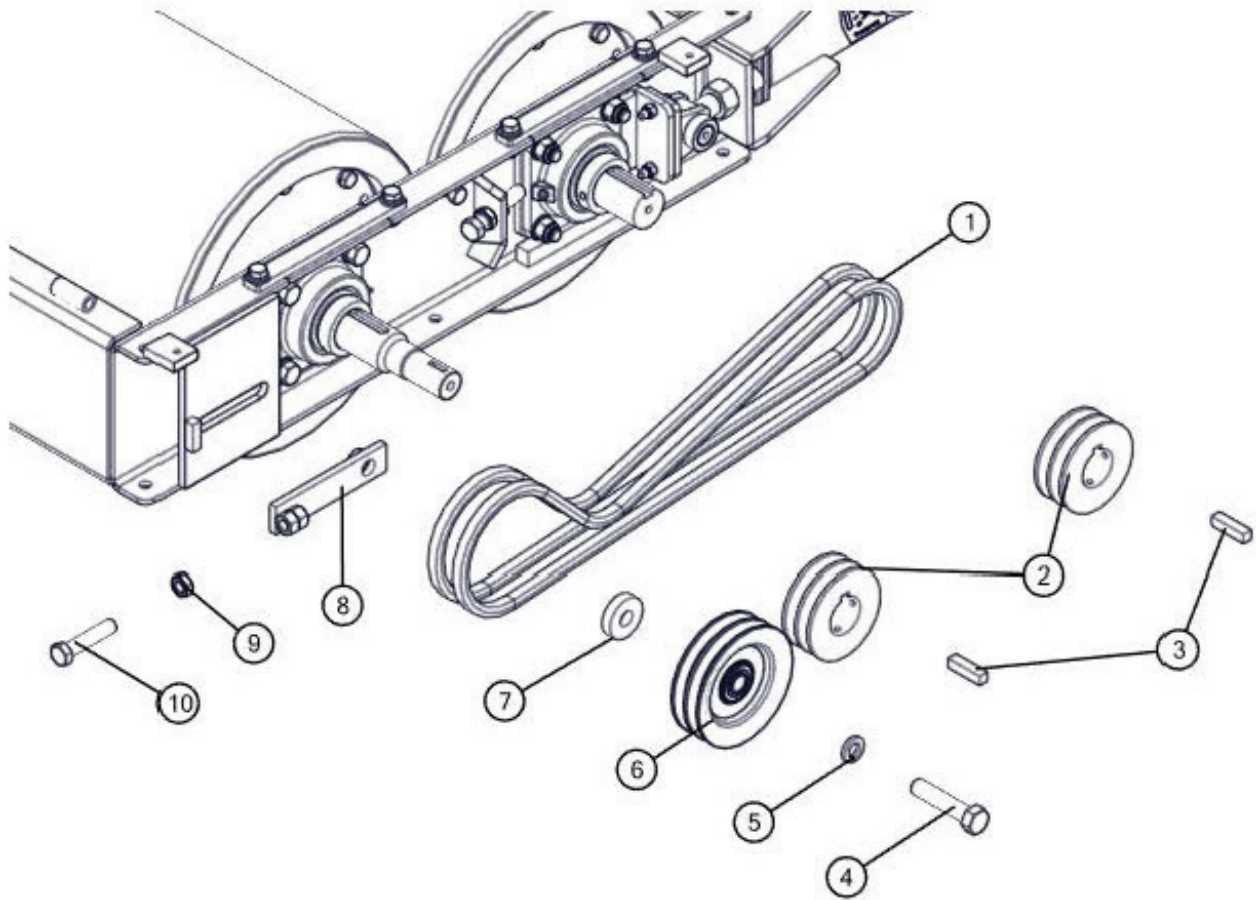
# FIGURE 4 WORM DRIVE ROLL ADJUSTMENT



## FIGURE 4

<u>ITEM</u>	<u>QTY</u>	<u>PART#</u>	<u>DESCRIPTION</u>
1	8	RN159400-0427	HEX BOLT - 1/2" NC X 2" GR.5 PL
2	2	RN114000-0008	1-1/2" BEARING - PILLOW BLOCK
3	2	RN113900-0914	7/8" BEARING - PILLOW BLOCK
4	10	RN168000-0544	FLAT WASHER - 1/2" SAE PLTD
5	8	RN167200-0688	NYLOC NUT - 1/2" NC GR.5 PL
6	1	RN415100-0801.00	CAM SHAFT - SPRING CAN ASSEMBLY - 18"
7	1	RN121000-0630	WORM GEAR - 6DP - SINGLE START, 30 TOOTH, 1-1/2 " ID
8	3	RN414000-0652.00	3/8" KEYSTOCK X 1-3/4"
9	1	RN120000-0601	STEEL WORM 6DP SINGLE START RH 7/8" ID
10	1	RN414000-0582.00	3/16"KEYSTOCK X 1-1/2"
11	3	RN159400-0401	HEX BOLT - 1/2" NC X 1-1/2" GR.5 PL
12	3	RN168600-0098	LOCK WASHER - 1/2" PL
13	1	RN414000-0243.01	WORM WHEEL BRAKE
14	1	RN615100-0361.00	WORM SHAFT - 7/8" X 11"-3/4"
15	2	RN413600-0114.00	WORM GEAR SPACER
16	4	RN415100-0361.00	CAPPING WASHER
17	2	RN415100-0360.01	SPACING WASHER
18	2	RN167000-0697	JAM NUT - 1" NF RH GR.5 BL
19	2	RN415100-0217.00	OILITE BUSHING - 2-3/8" X 2-3/4" X 1-1/2"
20	2	RN415100-0215.00	OILITE BUSHING - 2-3/4" X 3-1/4" X 1-3/4"
21	2	RN483100-0707.00	CAM POSITION INDICATOR - 1-1/2"
22	2	RN161500-0455	LYNCH PIN - 7/16" X 1-3/4"
23	2	RN415100-0034.01	SPRING CAM HUB
24	2	RN167000-0870	HEX NUT - 1" NF GR.5 BL RH
25	2	RN615100-0304.00	ADJUSTER EYE ROD
26	4	RN159300-0988	HEX BOLT - 3/8" NC X 1-1/2 GR.5 PL
27	2	RN613000-0069.00	CLEVIS WELDMENT
28	4	RN167200-0652	NYLOC NUT - 3/8" NC GR.5 PL
29	2	RN414000-0239.00	CAM PIVOT PIN - 1" X 2-1/2"
30	2	RN113500-0126	OILITE BUSHING - 1" X 1-1/4" X 1"
31	1	RN615100-0220.00	PULL PLATE - LH
32	1	RN415100-0802.01	SPRING CAM ADJUSTER SHIELD
33	1	RN615100-0219.00	PULL PLATE - RH

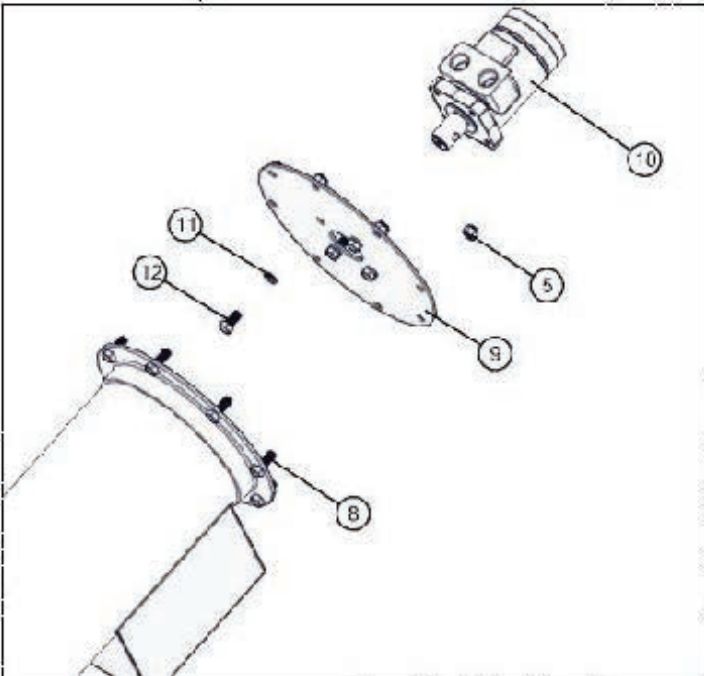
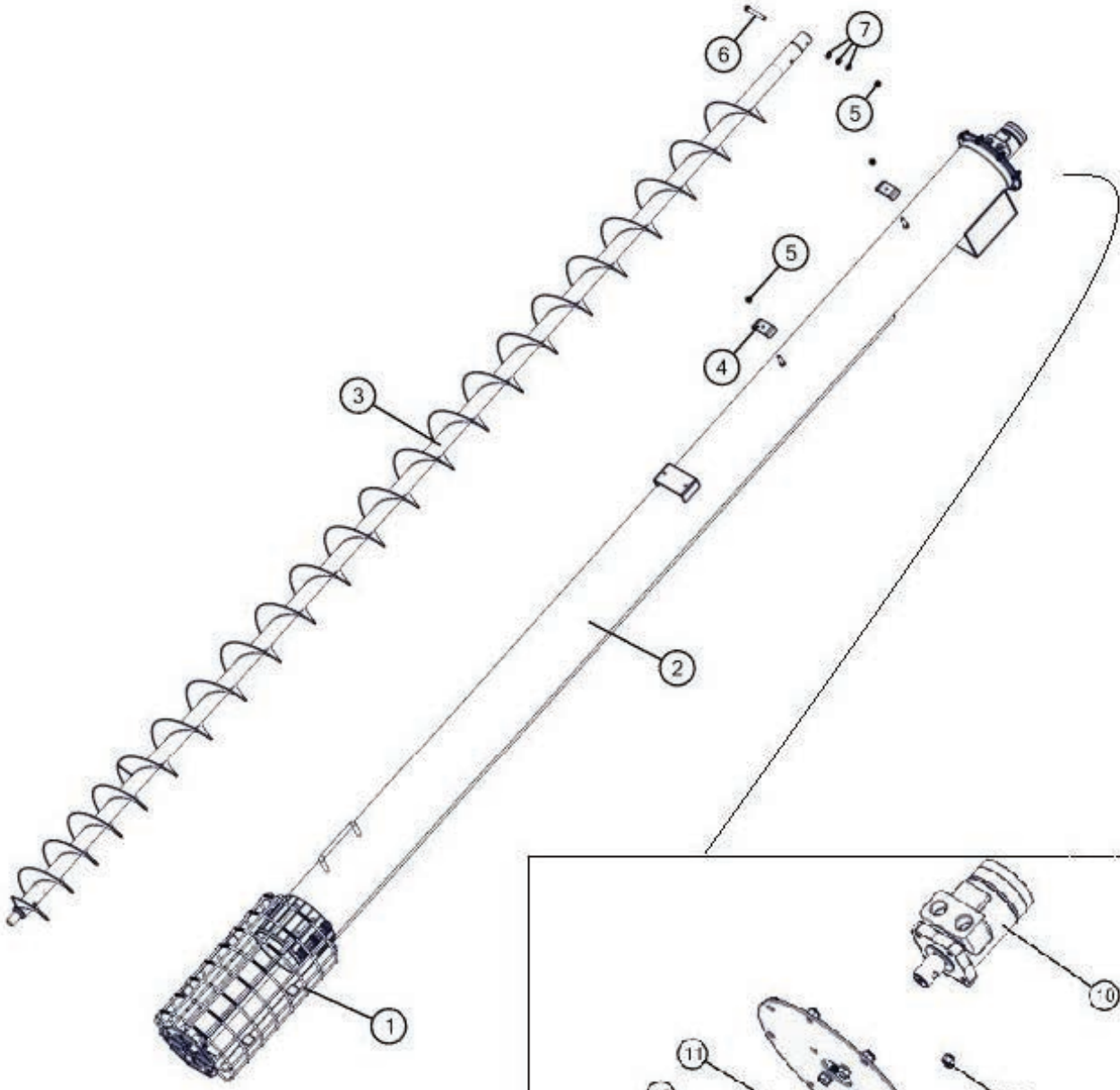
**FIGURE 5**  
**ROLL DRIVE REAR**



## FIGURE 5

<u>ITEM</u>	<u>QTY</u>	<u>PART#</u>	<u>DESCRIPTION</u>
1	2	RN144000-0664	V-BELT - BB60
2	2	RN124000-0005	PULLEY - 2 GROOVE 4-1/2" X 1-15/16"
3	2	RN411800-0521.00	1/2" KEYSTOCK X 2" LONG
4	1	RN159400-0810	HEX BOLT - 3/4" NC X 3-1/2" GR.5 PL
5	1	RN168600-0127	LOCK WASHER - 3/4" NC PL
6	1	RN814000-0022.00	IDLER PULLEY BRG ASS'Y
7	1	RN414000-0812.01	WASHER
8	1	RN614000-0505.00	REAR BELT TENSIONER WELDMENT
9	1	RN167000-0658	JAM NUT - 5/8" NC GR.5 PL
10	1	RN159600-0530	HEX BOLT - FULL THREAD - 5/8" NC X 3" GR.5 PL

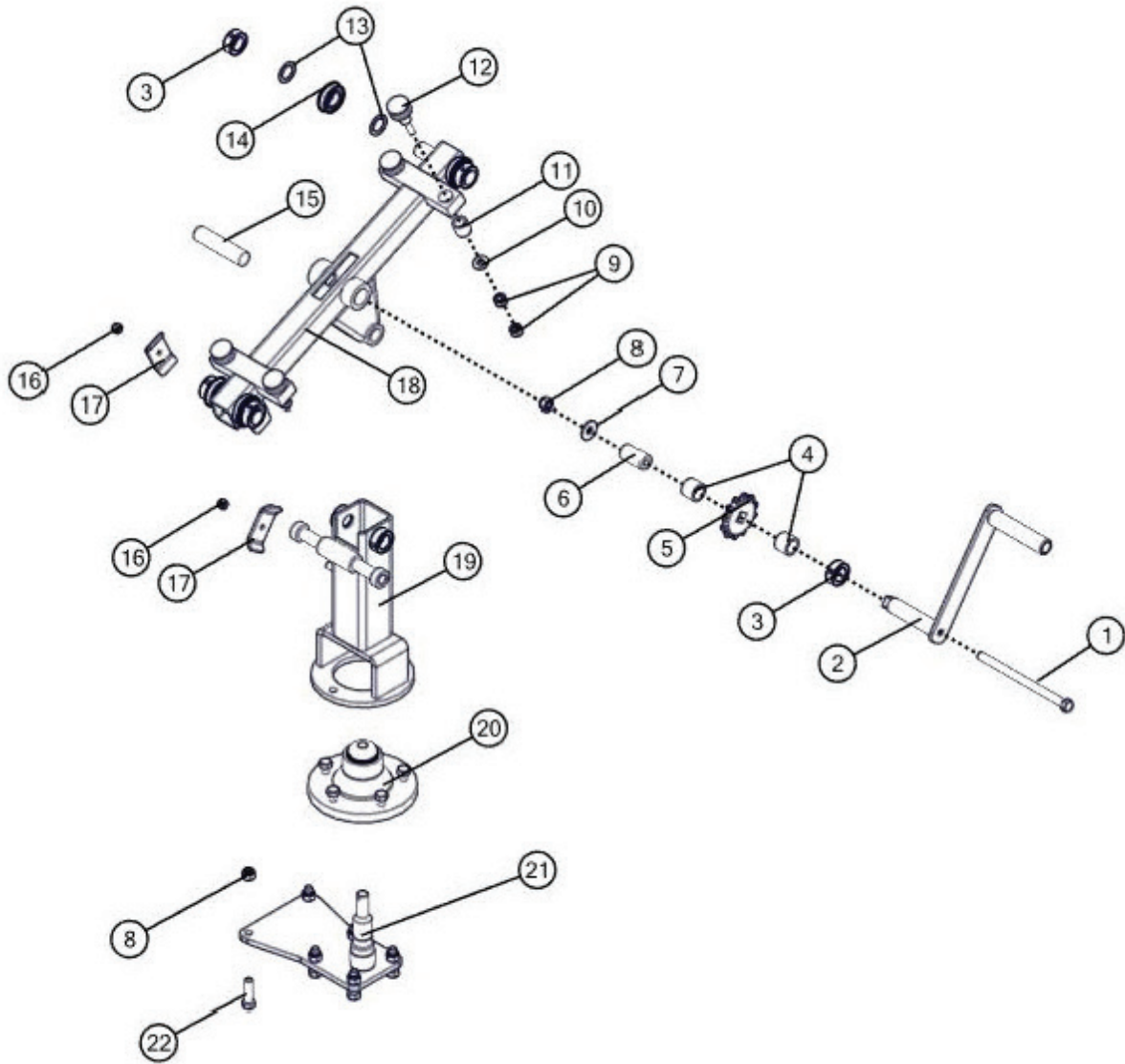
**FIGURE 6**  
**FEEDER AUGER ASSEMBLY**



## FIGURE 6

<u>ITEM</u>	<u>QTY</u>	<u>PART#</u>	<u>DESCRIPTION</u>
1	1	RN275000-0008	IN-FEED AUGER SAFETY CAGE - 8"
2	1	RN650000-0272.00	8" X 12' TELESCOPIC FEED AUGER TUBE WELDM'T
3	1	RN650000-0271.00	8" X12' FEED AUGER WELD'T
4	2	RN480100-0722.01	HOSE CLAMP
5	11	RN167200-0652	NYLOC NUT - 3/8" NC GR.5 PL
6	1	RN159400-0005	HEX BOLT - 3/8" NC X 3" GR.5 PL
7	3	RN168000-0540	FLAT WASHER - 3/8" SAE
8	8	RN159300-0961	HEX BOLT - 3/8" NC X 1" GR.5 PL
9	1	RN471300-0193.03	AUGER ENDPLATE - 8"
10	1	RN111100-0362	7.3 ORBITAL MOTOR EATON#101-1858-009
11	4	RN168600-0071	LOCK WASHER - 3/8" PL
12	4	RN159300-0944	HEX BOLT - 3/8" NC X 3/4" GR. 5 PL

# FIGURE 7 CRANK ASSEMBLY

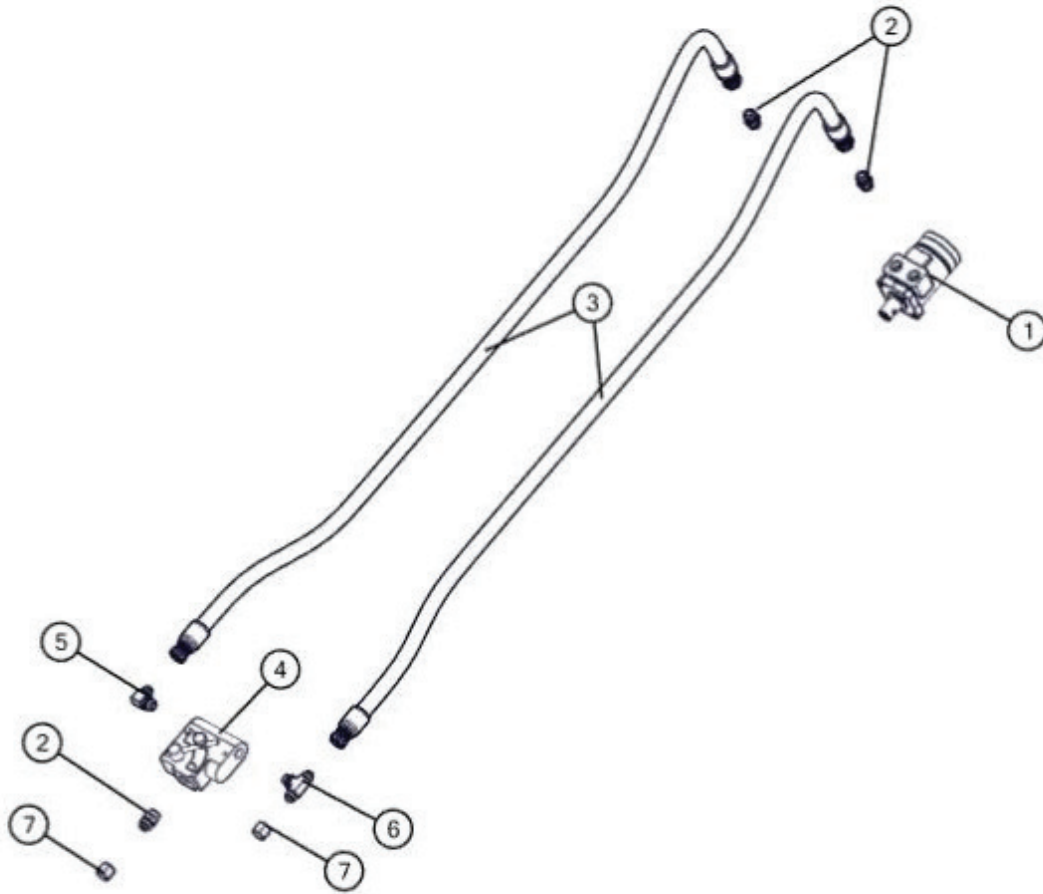




## FIGURE 7

<u>ITEM</u>	<u>QTY</u>	<u>PART#</u>	<u>DESCRIPTION</u>
1	1	RN159400-0527	1/2 X 8 NC BOLT GR 5 PL
2	1	RN650000-0274.00	CRANK HANDLE - TELESCOPIC FEED AUGER
3	1	RN280000-0016	SET COLLAR 1" ID
4	2	RN113500-0126	OILITE BUSHING - 1" X 1-1/4" X 1"
5	1	RN450000-0398.00	CRANK SPROCKET - SQUARE DRIVE
6	1	RN450000-0397.00	SHAFT -CRANK ASS'Y
7	1	RN168000-0065	FLAT WASHER - 1/2" USS PLTD
8	7	RN167200-0688	NYLOC NUT - 1/2" NC GR.5 PL
9	8	RN167000-0809	HEX NUT - 1/2" NC GR.5 PL
10	4	RN168000-0544	FLAT WASHER - 1/2" SAE PLTD
11	4	RN113500-0101	OILITE BUSHING - 3/4" X 1" X 1"L
12	4	RN450000-0011.00	INLET AUGER ROLLER GUIDE
13	8	RN168000-0614	MACHINERY BUSHING/ WASHER - 1" ID X 18 GA
14	4	RN114000-0098	1" BEARING - 52MM CYLINDRICAL OD
15	1	RN452400-0050.01	PIVOT TOWER PIN
16	2	RN167200-0652	NYLOC NUT - 3/8" NC GR.5 PL
17	2	RN480100-0722.01	HOSE CLAMP
18	1	RN650000-0273.00	TROLLEY WELDMENT - TELESCOPIC FEED AUGER 2019
19	1	RN614000-0327.00	FEED AUGER PIVOT TOWER -18" MILL HS
20	1	RN340800-0511	HUB ASSEMBLY COMPLETE - 511
21	1	RN614000-0522.00	PIVOT 511 HUB/ SPINDLE BOLT-ON - TELESC FEED AUGER
22	6	RN159400-0410	HEX BOLT - 1/2" NC X 1-3/4" GR.5 PL

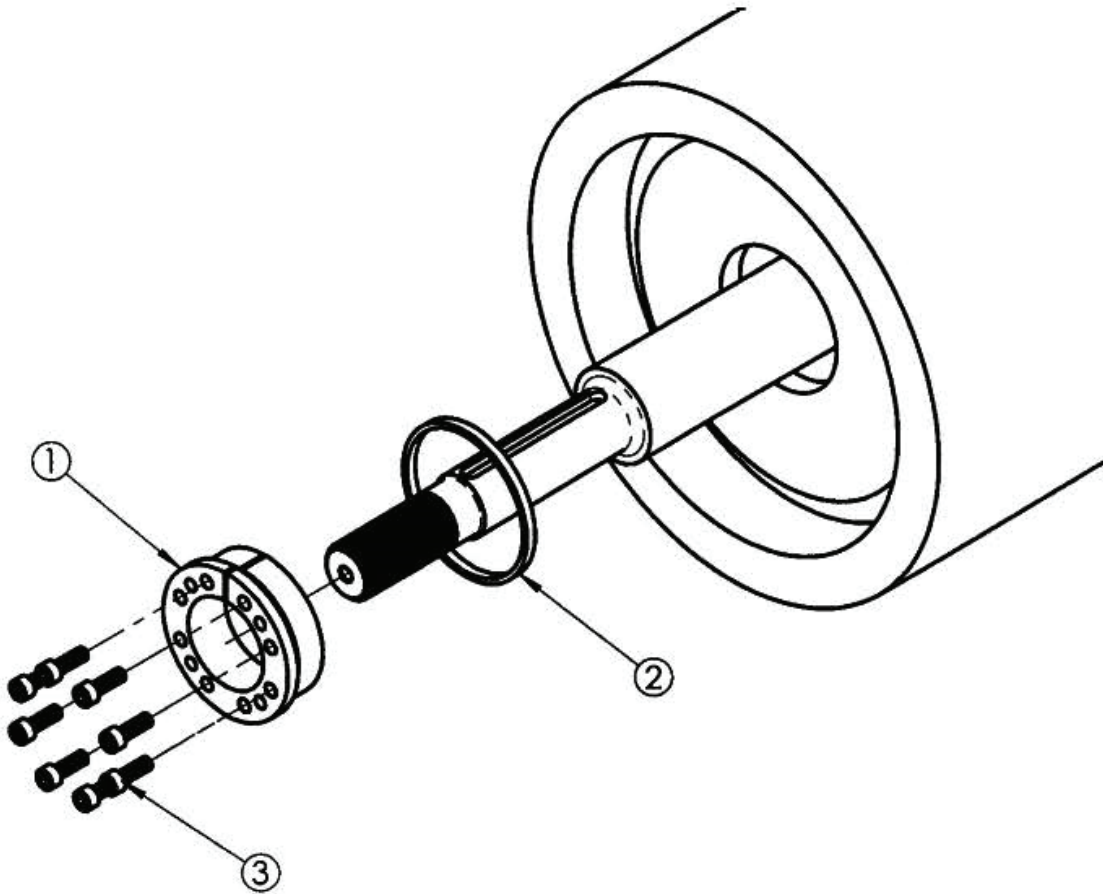
# FIGURE 8 FEEDER AUGER HYDRAULICS



## FIGURE 8

<u>ITEM</u>	<u>QTY</u>	<u>PART#</u>	<u>DESCRIPTION</u>
1	1	RN111100-0362	7.3 ORBITAL MOTOR EATON#101-1858-009
2	3	RN086400-0813	HEX NIPPLE #10 JICM X #10 ORBM
3	2	RN393600-0070	HYD HOSE 2WB THIN COVER 5/8" X 70"
4	1	RN110100-0398	FLOW CONTROL - FC51 1/2" NPT
5	1	RN086800-0911	#10 ORBM TO #10 JICM 90 ELBOW
6	1	RN085100-0820	TEE #10 JICM X #10 JICM X #10 ORBM
7	2	RN081100-0102	CAP - #10 JIC

**FIGURE 9**  
**ROLL BUSHING ASSEMBLY B-LOC BUSHING**



**FIGURE 9**

<b>Roll Size Dia x Length</b>	<b>[ #1 ] B-Loc Hub Part # &amp; I/D</b>	<b>[ #2 ] B-Loc Spacer Ring &amp; Size</b>	<b>[ #3 ] Socket Head Cap Screw (QTY) &amp; Size</b>	<b>Tightening Torque (ft-lbs)</b>
<b>8-5/8" n x 10"</b>	141000-0001 1-3/8"	N/A	(8) 6mm x 1.0 x 20mm	12
<b>10-5/8" n x 16"</b>	141000-0002 1-15/16"	N/A	(7) 8mm x 1.25 x 25mm	30
<b>16" n x 12"</b>	141000-0002 1-15/16"	N/A	(7) 8mm x 1.25 x 25mm	30
<b>16" n x 18"</b>	141000-0002 1-15/16"	N/A	(7) 8mm x 1.25 x 25mm	30
<b>16" n x 24"</b>	141000-0002 1-15/16"	N/A	(7) 8mm x 1.25 x 25mm	30
<b>16" n x 24H</b>	141000-0004 2-7/16"	N/A	(9) 8mm x 1.25 x 25mm	30
<b>16" n x 30"</b>	141000-0004 2-7/16"	N/A	(9) 8mm x 1.25 x 25mm	30
<b>16" n x 30H</b>	141000-0003 2-15/16"	141000-0006	(8) 10mm x 1.5 x 30mm	60
<b>16" n x 36"</b>	141000-0003 2-15/16"	141000-0006	(8) 10mm x 1.5 x 30mm	60
<b>16" n x 48"</b>	141000-0003 2-15/16"	141000-0006	(8) 10mm x 1.5 x 30mm	60



# CHANGE NOTES

**H&S MFG. CO.**

products approved

for the

**FEMA**

**SEAL OF QUALITY**

