



7117

ROLLER MILL

PARTS BOOK

Part #90265

HSMFG050621

Rev. #01

Starting Ser. #121RM71002

STRONG HERITAGE - STRONG PEOPLE - STRONGER FUTURE

CONTENTS

Instructions for Ordering Parts	1
Figure 1 - Hitch and Jack Components	2-3
Figure 2 - Front Shield and Components	4-5
Figure 3 - Flywheel and Components	6-7
Figure 4 - Roller Chain and Components	8-9
Figure 5 - Fender and Tank Support RH	10-11
Figure 6 - Fender and Tank Support LH	12-13
Figure 7 - Wheel and Hub Assembly	14-15
Figure 8 - Hopper and Components	16-17
Figure 9 - Tank Cover and Components	18-19
Figure 10 - Tank Windows and Components	20-21
Figure 11 - Mixing Auger and Components	22-23
Figure 12 - Yoke and Tube and Components	24-25
Figure 13 - Ladder and Components	26-27
Figure 14 - Unloading Auger and Components	28-29
Figure 15 - Vertical Auger Tube and Components	30-31
Figure 16 - Vertical Auger and Components	32-33
Figure 17 - Auger Housing and Components	34-35
Figure 18 - Gate and Components	36-37
Figure 19 - Horizontal Auger and Components	38-39
Figure 20 - Transfer Auger and Components	40-41
Figure 21 - Hydraulics	42-45
Figure 22 - Hydraulic Tank	46-47
Figure 23 - 6' Folding Extension Option	48-49
Figure 24 - 3' Folding Extension Option	50-51
Figure 25 - Rear Supplement Hopper Option	52-53
Figure 26 - 2500 Scale Option	54-55
Figure 27 - 3410 Scale Option	56-57
Figure 28 - Gearbox	58-59
Figure 29 - Lights	60-61
Figure 30 - 540 RPM PTO	62-63
Figure 31- Intake Auger Option RMOSIA	64-65
Figure 32- Intake Auger Option RMOSIA	66-67
Figure 33- Intake Auger Option RMOSIA	68-69
ROLLER MILL	70-89
Figure 1 - Top Hopper	72-73
Figure 2 - Top Hopper (Knob)	74-75
Figure 3 - Roller Mill Upper Half	76-77
Figure 4 - Worm Drive Roll Adjustment	78-79
Figure 5 - Roll Drive Rear	80-81
Figure 6 - Feed Auger Assembly	82-83
Figure 7 - Crank Assembly	84-85
Figure 8 - Feed Auger Hydraulics	86-87
Figure 9 - Roll Bushing Assembly B-Loc Bushing	88-89

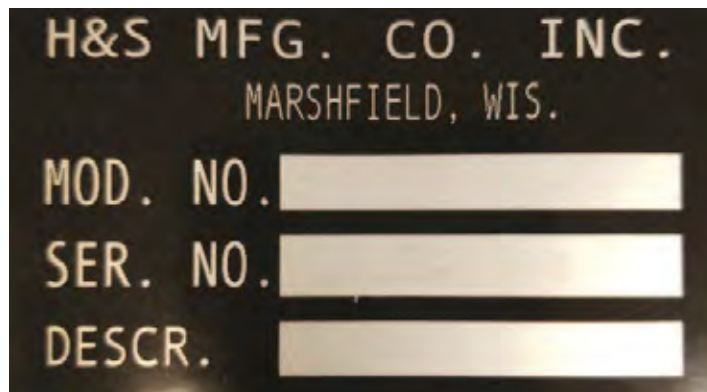
INSTRUCTIONS FOR ORDERING PARTS

All service parts should be ordered through your authorized H&S dealer. Your Dealership will be able to give you faster service if you will provide them with the following:

1. Model & Serial Number - Both can be located the bottom of front guard.
2. All references to left or right apply to the machine as viewed from the rear.
3. Parts should not be ordered from illustration only. Please order complete part number.
4. If your dealer has to order parts - give shipping instructions:

VIA truck - large pieces (please specify local truck lines)

VIA United Parcel Service (include full address)



H&S MFG. CO. INC.
MARSHFIELD, WIS.

MOD. NO.

SER. NO.

DESCR.

PLEASE RECORD NUMBERS FOR YOUR UNIT FOR QUICK REFERENCE

ABOUT IMPROVEMENTS

H&S IS CONTINUALLY STRIVING TO IMPROVE ITS PRODUCTS

We must, therefore, reserve the right to make improvements or changes whenever it becomes practical to do so, without incurring any obligation to make changes or additions to the equipment previously sold.

FIGURE 1 **HITCH AND JACK COMPONENTS**

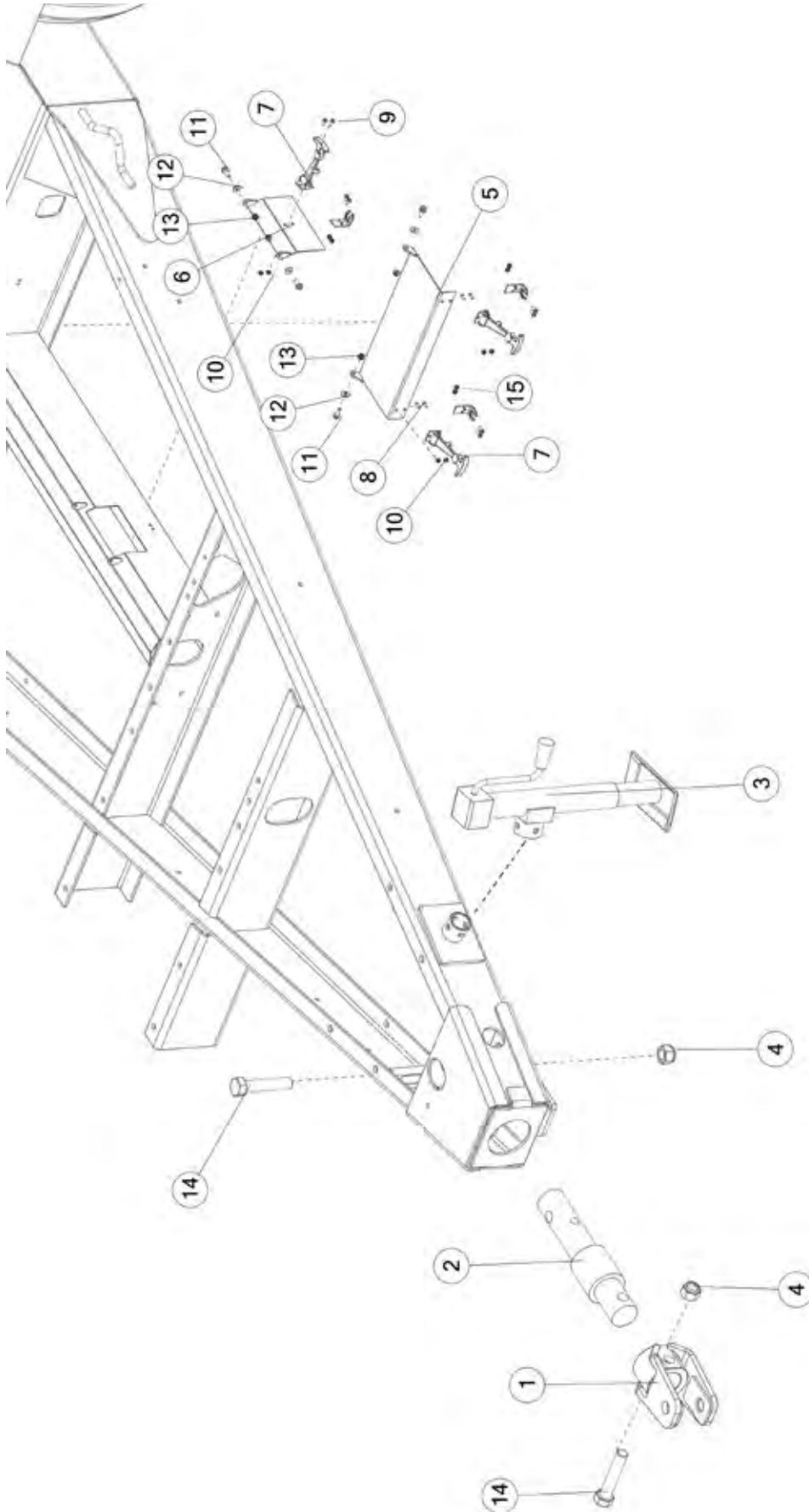


FIGURE 1

HITCH AND JACK COMPONENTS

<u>ITEM</u>	<u>QTY</u>	<u>PART#</u>	<u>DESCRIPTION</u>
1	1	GM74	HITCH CLEVIS
2	1	GM403	HITCH LOAD CELL
3	1	GM396	JACK
4	2	YNNY32005	NUT HEX, 1-8, LKNY, G2, ZC
5	1	89717	ACCESS COVER
6	1	87469	COVER
7	3	X233	LATCH ASSEMBLY
8	4	YSFM62005	FLAT HEAD CAP SCREW, CROSS #8-32 X 1/2
9	8	YSPP64005	PHILLIPS PAN HEAD TYPE, 10-32 X 1/2
10	4	YNNY62005	NUT HEX, #8-32, LKNY, G2, ZC
11	4	YBFB08075	BOLT FLANGE 1/4 X 3/4 G5
12	4	YWFL08005	WASHER, FLAT, 1/4 USS
13	4	YNFG08010	NUT FLANGE, 1/4 GF
14	2	YBHH32020	BOLT HEX, 1-8 X 5 G5
15	8	YNNY64006	NUT HEX, 10-32 SS

FIGURE 2 **FRONT SHIELD AND COMPONENTS**

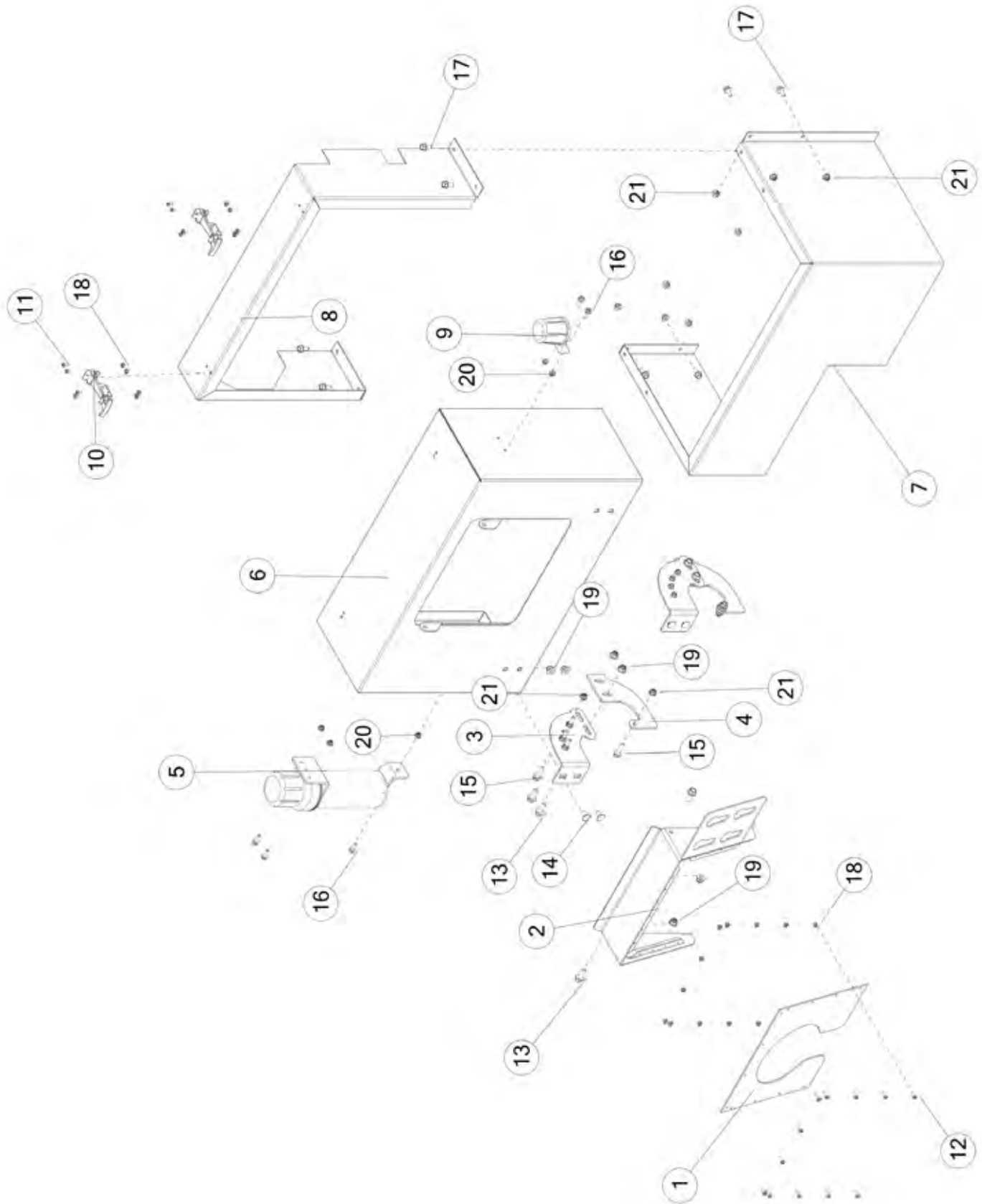


FIGURE 2

FRONT SHIELD AND COMPONENTS

<u>ITEM</u>	<u>QTY</u>	<u>PART#</u>	<u>DESCRIPTION</u>
1	1	84893	POLY PTO GUARD
2	1	80606	SHEILD PTO GUARD
3	2	80608	SHILED FRONT HINGE TOP
4	2	GM529	SHLD FRT HNGE BTM, 7 X 4.63 X .19
5	1	S522	MANUAL HOLDER
6	1	90056B	CHAIN SHIELD, FRONT
7	1	90054	CHAIN SHIELD, LOWER
8	1	90040	CHAIN SHIELD, BACK
9	1	CHM38	PLUG STORAGE
10	2	X233	079-0101 LATCH ASSEMBLY
11	8	YSPN64004	MACHINE PPHS, #10-24 X 3/8 SS
12	12	YSPN64005	MACHINE PPHS, #10-24 X 5/8 ZINC
13	4	YBFB12003	BOLT FLANGE, 3/8 X 1 G5
14	4	YBCR12065	BOLT CARRIAGE, 3/8-16 X 3/4 G5 ZC
15	10	YBFB10125	BOLT FLANGE, 5/16 X 1-1/4 G5
16	5	YBFB08075	BOLT FLANGE, 1/4 X 3/4 G5
17	8	YBFB10075	BOLT FLANGE, 5/16 X 3/4 G5
18	20	YNNY64005	NUT HEX, #10-24 LKNY G2 ZC
19	10	YNFG12006	NUT FLANGE, 3/8 GF
20	5	YNFG08010	NUT FLANGE, 1/4 GF
21	18	YNFG10005	NUT FLANGE, 5/16 GF

FIGURE 3
FLYWHEEL AND COMPONENTS

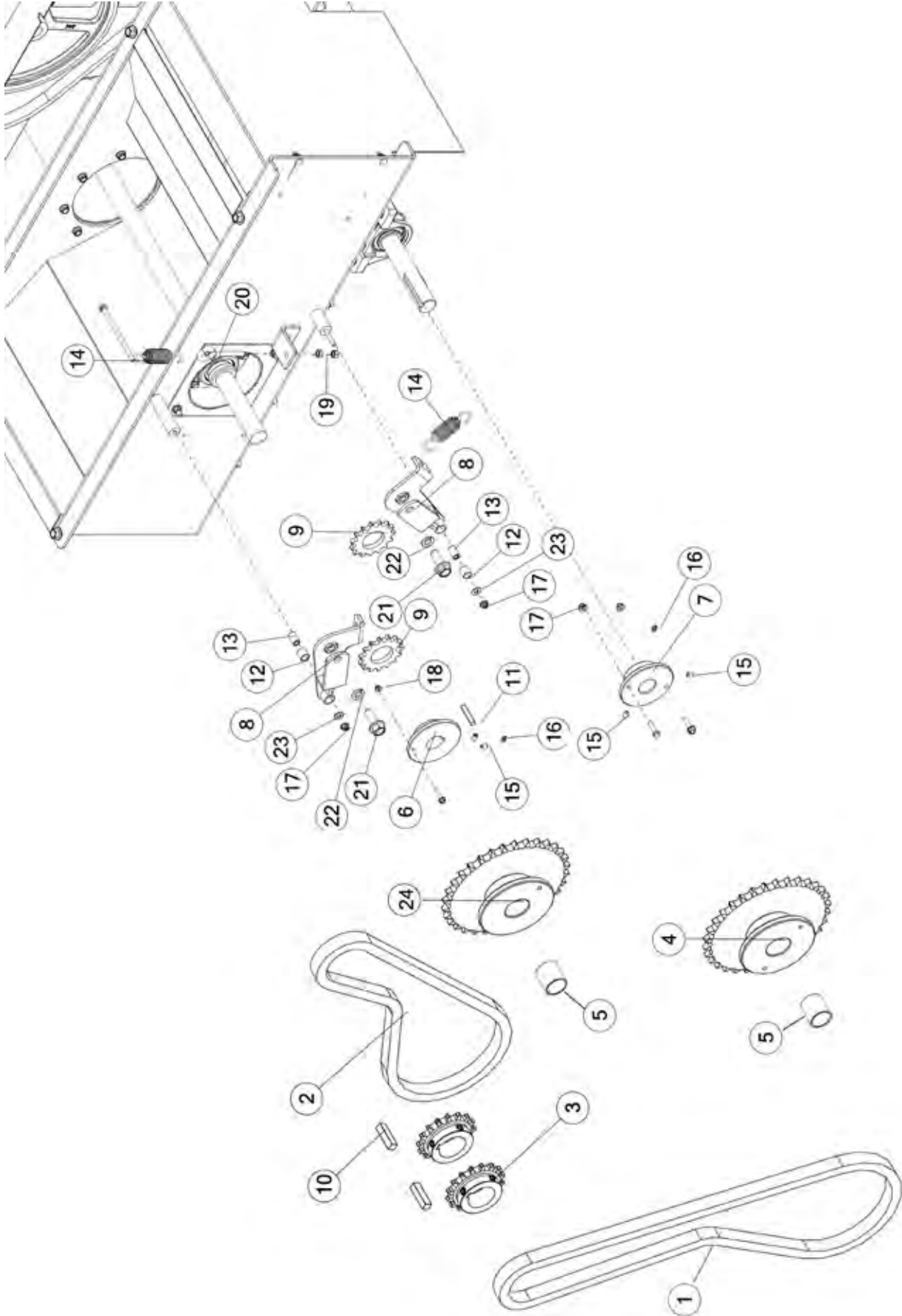


FIGURE 3

FLYWHEEL AND COMPONENTS

<u>ITEM</u>	<u>QTY</u>	<u>PART#</u>	<u>DESCRIPTION</u>
1	1	84938	ROLLER CHAIN 60 X 86
2	1	84939	ROLLER CHAIN, 60 X 67
3	2	81461	SPKT, 60, B, 16, 1 15/16
4	1	17G71	BACK SHEAR HUB
5	1	87392	SHEAR HUB
6	1	87390	BACK SHEAR HUB
7	1	84809	SINGLE SPROCKET, 35
8	2	82207	TENSIONER BRKT, CHAIN
9	2	GM251	MAIN DRIVE IDLER
10	2	BBS59	SQUARE KEY, 1/2 X 2
11	1	PB87	SQUARE KEY, 3/8 X 2
12	2	GM296	IDLER PIVOT BUSHING, 3/4 OD X 5/8 ID X 3/4
13	2	GM299	TUBE, RD, TENSIONER PIVOT
14	2	GM410	EXTENSION SPRING
15	4	YSSO12005	SET SCREW, SOCKET, 3/8-16 X 1/2
16	2	G89	STRAIGHT ZERK, 1/4-28
17	4	YNFG10005	NUT FLANGE, 5/16 GF
18	1	YNFG08010	NUT FLANGE, 1/4 GF
19	2	YNHX12004	NUT HEX, 3/8-16 NA G2 NF
20	1	YBWE12100	BOLT WELDED EYE, 3/8-16 X 3 ZC
21	2	YBFB20175	BOLT FLANGE, 5/8 X 1-3/4 G5
22	2	YWLO20010	WASHER LOCK, 5/8, G8 YELLOW ZINC
23	2	YWFL12010	WASHER FLAT, 3/8 SAE G8 YELLOW ZINC
24	1	87393	SINGLE SPROCKET, 32
25	1	84211	SINGLE SPROCKET, 32
26	2	89750	BRONZE BUSHING, 1-1/2 X 1-7/8

FIGURE 4 **ROLLER CHAIN AND COMPONENTS**

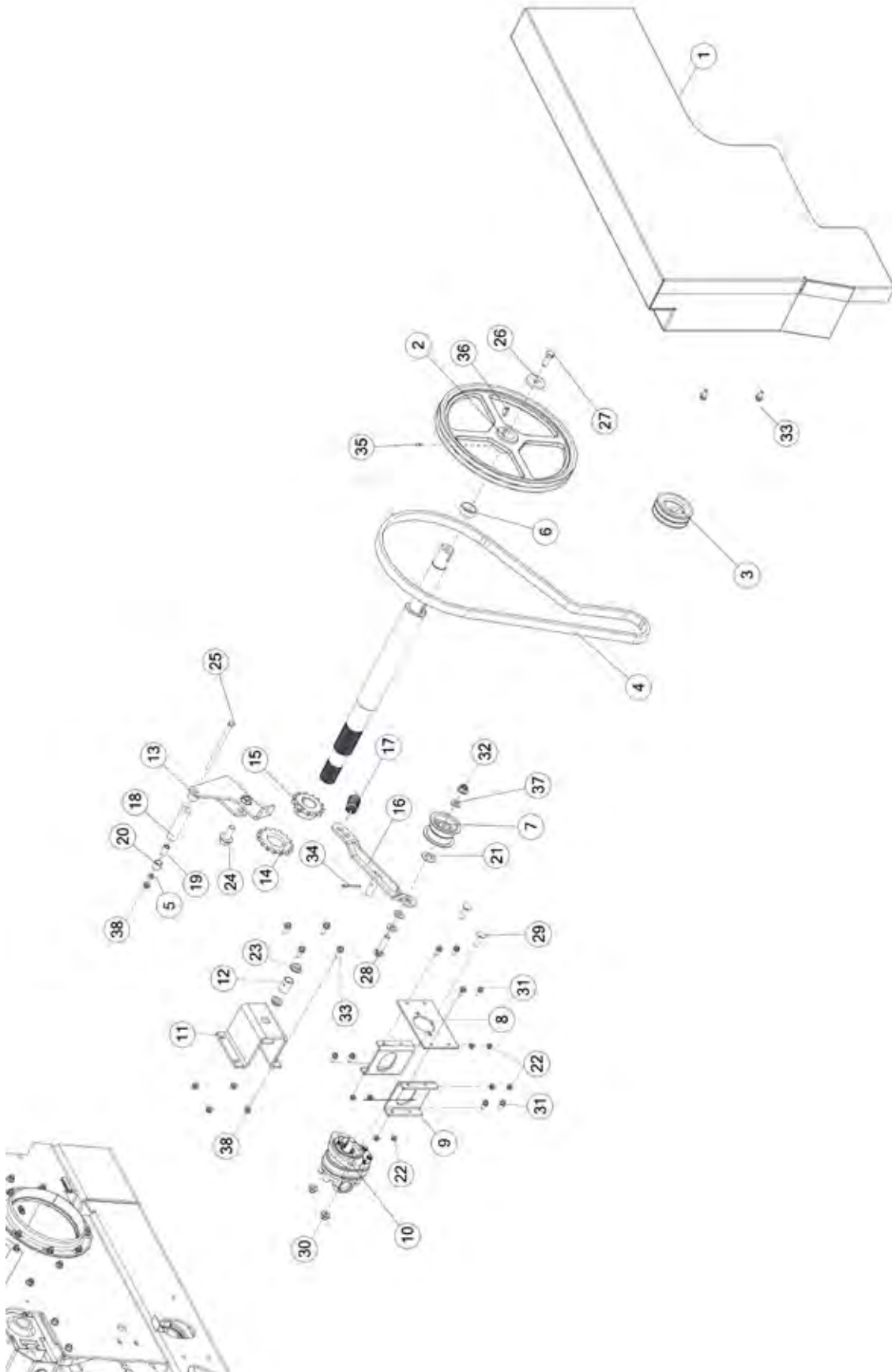


FIGURE 4

ROLLER CHAIN AND COMPONENTS

<u>ITEM</u>	<u>QTY</u>	<u>PART#</u>	<u>DESCRIPTION</u>
1	1	84868	SHIELD BELT, ROLLER
2	1	56635	SHEAVE 2AK154, 1.375 SHAFT
3	1	88022	BELT PULLEY
4	1	81621	BELT, 2A71
5	1	YWFL10010	WASHER FLAT, 5/16 SAE G8 YELLOW ZINC
6	1	84508	SPACER, 0.59
7	1	K156	PULLEY, 2.64, .53 BORE
8	1	81618	BRKT, HYD PUMP
9	2	82225	PUMP BRACKET, STANDOFF
10	1	81560	HYD PUMP
11	1	84799	TENSIONER BRKT
12	1	84943	BUSHING
13	1	79711	CHAIN TENSIONER WLDMT
14	1	GM251	MAIN DRIVE IDLER
15	1	TS36	SINGLE SPROCKET, 13
16	1	79716	BELT TENSIONER WLDMT
17	1	GM410	EXTENSION SPRING
18	1	84429	SPACER, 4.875, TENSIONER
19	1	GM299	TUBE, RD, TENSIONER PIVOT
20	1	GM296	IDLER PIVOT BUSHING, 3/4 OD X 5/8 ID X 3/4
21	1	YWFL24020	WASHER FLAT, SAE 3/4, ZINC
22	8	YNFG12006	NUT FLANGE, 3/8 GF
23	2	GM416	NYLTRN BSH, .76 X 1.21 X .32
24	1	YBFB20150	BOLT FLANGE, 5/8 X 1-1/2 G5
25	1	YBHH10135	BOLT HEX, 5/16 X 6 G5
26	1	GM415	INPUT YOKE WASHER
27	1	YBHH16046	BOLT HEX, 1/2 X 1-1/4 G5 FINE THREAD
28	1	YBCR16023	BOLT CARRIAGE, 1/2-13 X 2-1/4 G5 ZC
29	2	YBCR14007	BOLT CARRIAGE, 7/16-14 X 1-1/2 G5 ZC
30	2	YNFG14011	NUT FLANGE, 7/16 GF
31	8	YBFB12003	BOLT FLANGE, 3/8 X 1 G5
32	1	YNFG16003	NUT FLANGE, 1/2 GF
33	6	YBFB10001	BOLT FLANGE, 5/16 X 1 G5
34	1	YPCT08005	COTTER PIN, 1/4 X 1-3/4
35	1	YSKP10010	SET SCREW, SOCKET, KNURLED CUP PT, 5/16 - 18 X 3/8
36	1	G12	WOODRUF KEY, 5/16 X 1
37	3	YWFL16015	WASHER FLAT, 1/2 SAE G8 YELLOW ZINC
38	4	YNFG10005	NUT FLANGE, 5/16 GF

FIGURE 5
FENDER AND TANK SUPPORT RH

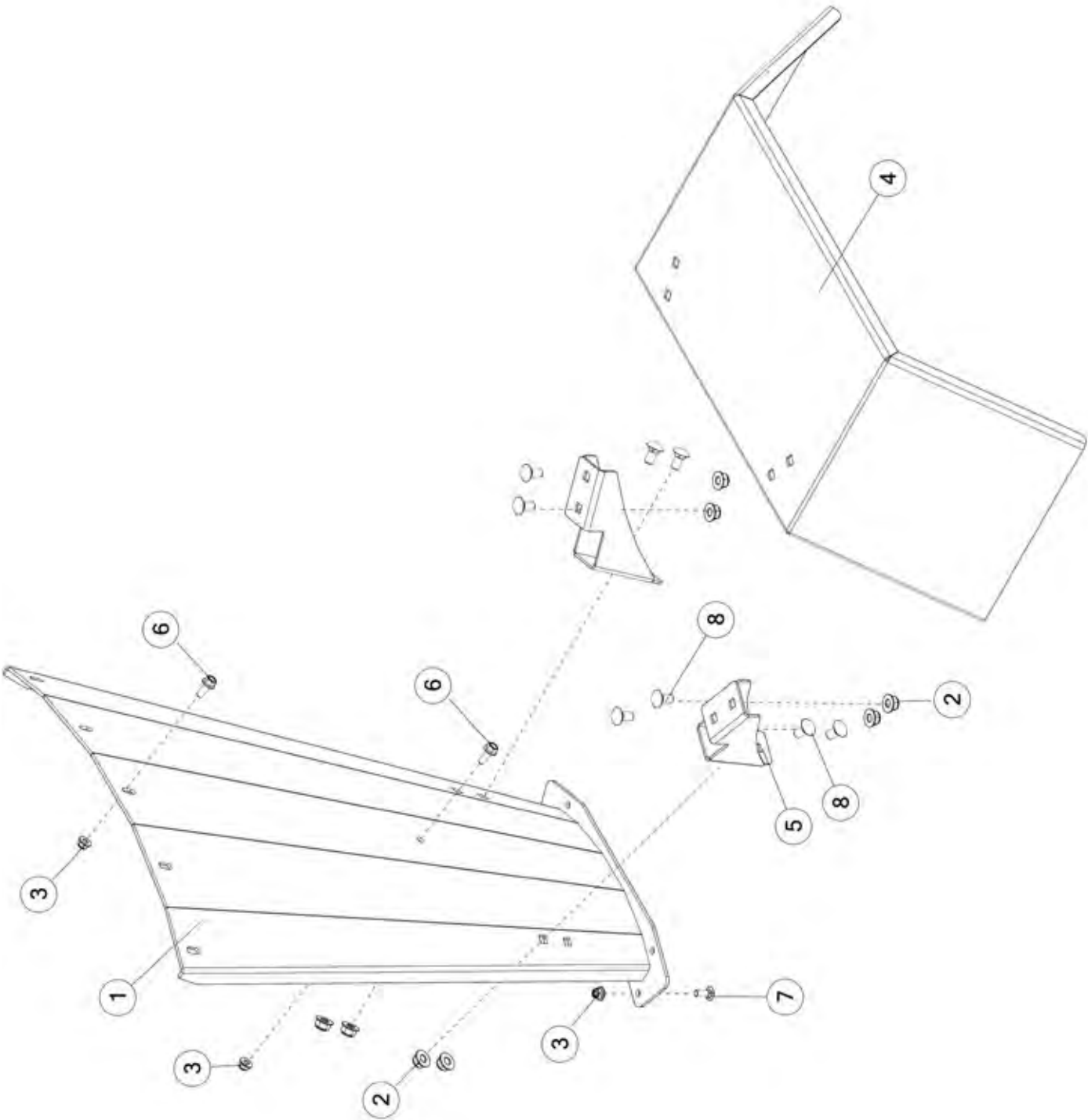


FIGURE 5
FENDER AND TANK SUPPORT RH

<u>ITEM</u>	<u>QTY</u>	<u>PART#</u>	<u>DESCRIPTION</u>
1	1	GM76	TANK SIDE SUPPORT
2	8	YNFG16003	NUT FLANGE, 1/2 GF
3	9	YNFG12006	NUT FLANGE, 3/8 GF
4	1	GM333	FENDER
5	2	85662	FENDER SUPPORT BRKT
6	2	YBFB12003	BOLT FLANGE, 3/8 X 1 G5 ZC
7	7	YBCR12010	BOLT CARRIAGE, 3/8 X 1 G5
8	4	YBCR16005	BOLT CARRIAGE, 1/2 X 1 G5

FIGURE 6
FENDER AND TANK SUPPORT LH

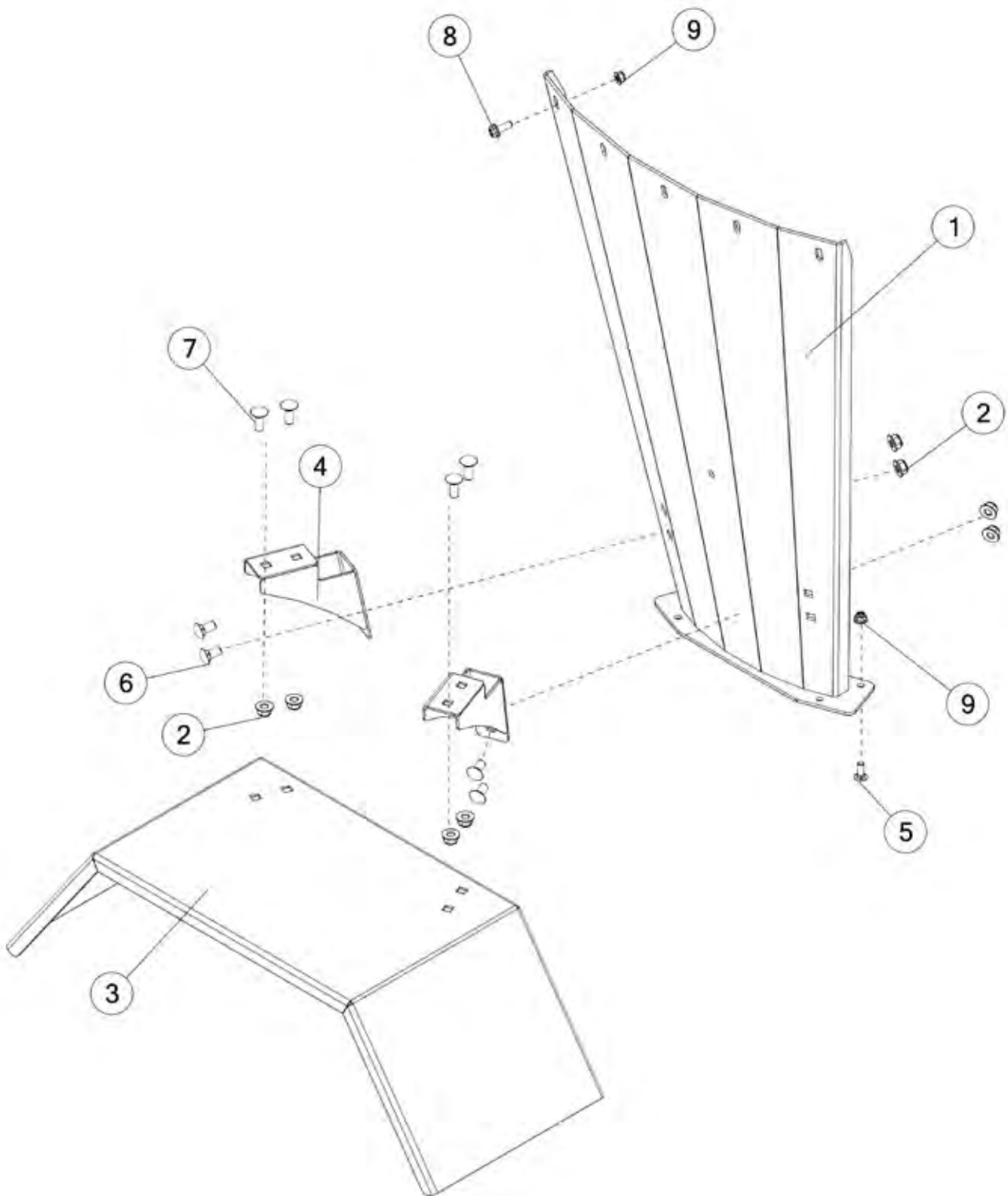


FIGURE 6
FENDER AND TANK SUPPORT LH

<u>ITEM</u>	<u>QTY</u>	<u>PART#</u>	<u>DESCRIPTION</u>
1	1	GM76	TANK SIDE SUPPORT
2	8	YNFG16003	NUT FLANGE, 1/2 GF
3	1	GM333	FENDER
4	2	85662	FENDER SUPPORT BRACKET
5	7	YBCR12010	BOLT CARRIAGE, 3/8 X 1 G5
6	4	YBCR16005	BOLT CARRIAGE, 1/2 X 1 G5
7	4	YBCR16015	BOLT CARRIAGE, 1/2 X 1-1/4 G5
8	5	YBFB12003	BOLT FLANGE, 3/8 X 1 G5 ZC
9	14	YNFG12006	NUT FLANGE, 3/8 GF

FIGURE 7
WHEEL AND HUB ASSEMBLY

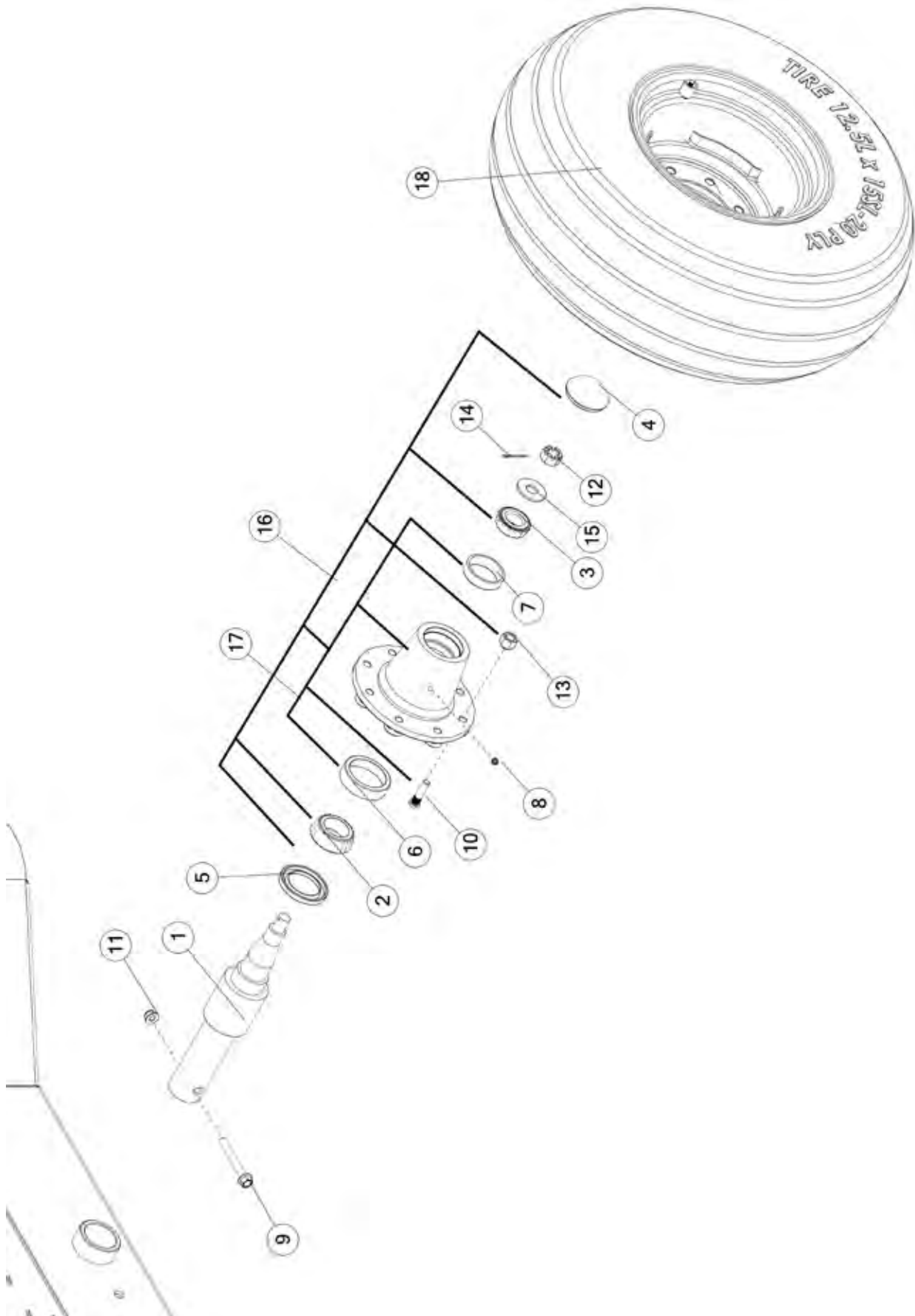


FIGURE 7

WHEEL AND HUB ASSEMBLY

<u>ITEM</u>	<u>QTY</u>	<u>PART#</u>	<u>DESCRIPTION</u>
1	1	GM402	SPINDLE LOAD CELL
2	1	53461	INNER BEARING
3	1	53462	OUTER BEARING
4	1	B2	HUB CAP
5	1	B90	GREASE SEAL
6	1	B91A	INNER RACE
7	1	B94A	OUTER RACE
8	1	BFR28	GREASE ZERK, 1/8 NPT
9	1	YBFB16400	BOLT FLANGE, 1/2 X 4 G5
10	8	YBSD20010	BOLT STUD, 5/8 X 2-1/2 G8
11	1	YNFG16003	NUT FLANGE, 1/2 GF
12	1	YNSL28005	NUT HEX, SLOTTED, 7/8 G2
13	8	YNWL20005	NUT WHEEL, 5/8 G5
14	1	YPCT05020	COTTER PIN, 5/32 X 1-1/2
15	1	YWFL28005	WASHER FLAT, 7/8
16	1	16SV398	821 HUB WITH TIMKEN BEARINGS
17	1	53403	HUB WITH RACES OUTER
18	1	78227	TIRE 12.5L-15 ON WHEEL 15 X 10

FIGURE 8 **HOPPER AND COMPONENTS**

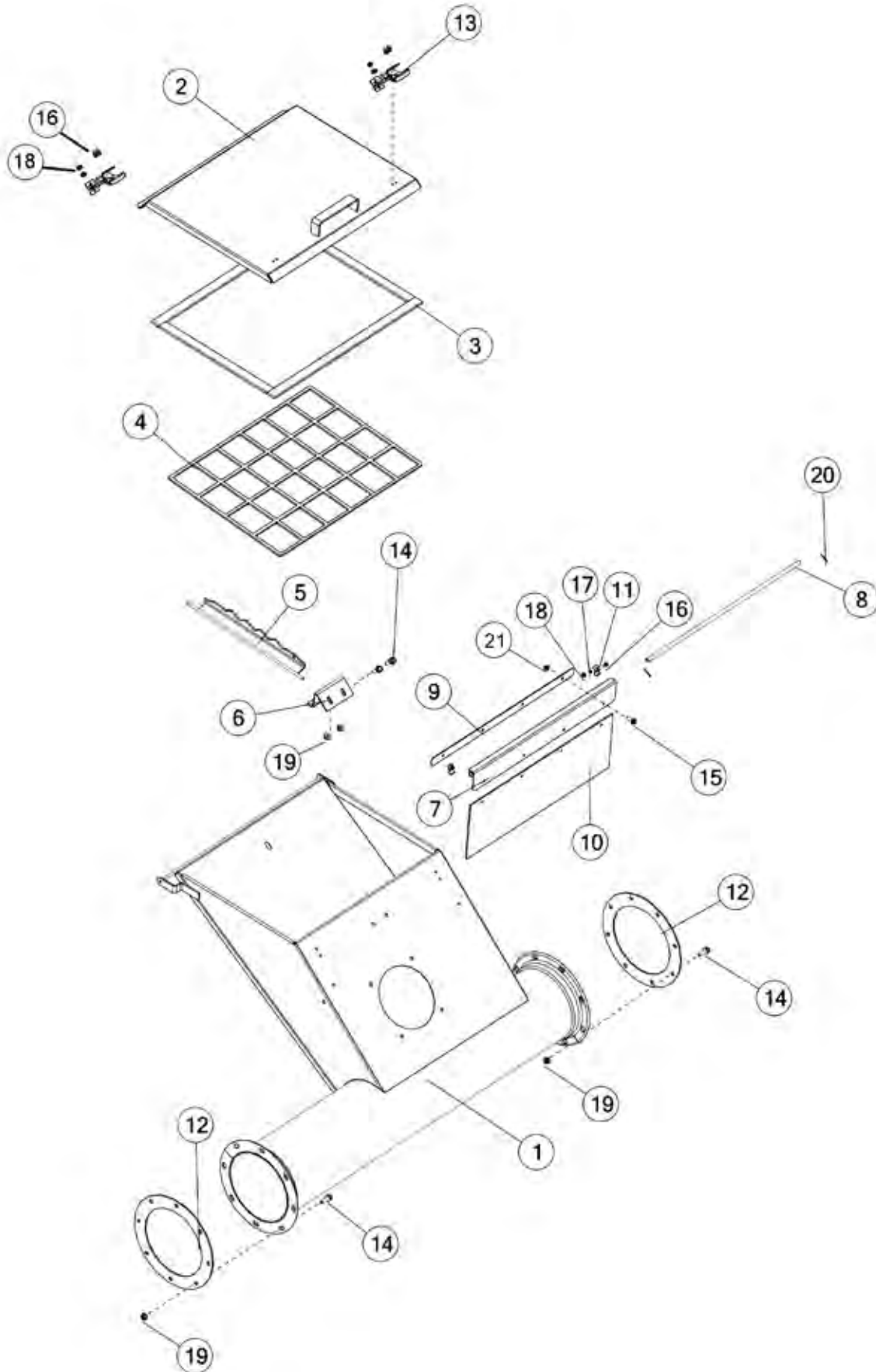


FIGURE 8

HOPPER AND COMPONENTS

<u>ITEM</u>	<u>QTY</u>	<u>PART#</u>	<u>DESCRIPTION</u>
1	1	81464	HOUSING, SUPPLEMENT HOPPER
2	1	90092B	HOPPER COVER
3	1	79631	GASKET, SUPPLEMENT HOPPER
4	1	73901	SCREEN, SUPPLEMENT HOPPER
5	1	GM93	BAG BREAKER
6	1	73751	SUPPORT BRACKET
7	1	86033	FLAP WELDMENT
8	1	85668	HINGE ROD
9	1	85669	CHUTE FLAP CLAMP
10	1	85670	CHUTE FLAP POLY
11	2	GM91	HOSE CLAMP
12	*	74281	SHIM
13	2	X233	079-0101 LATCH ASSEMBLY
14	18	YBFB10001	BOLT FLANGE, 5/16 X 1 G5
15	4	YBFB08075	BOLT FLANGE, 1/4 X 3/4 G5
16	6	YSPP64005	SCREW PAN HEAD, #10-32 X 1/2
17	2	YWLO64005	WASHER, LOCK, #10
18	6	YNNY64006	NUT HEX, 10-32 SS
19	18	YNFG10005	NUT FLANGE, 5/16 GF
20	2	YPCT03010	COTTER PIN, 3/32 X 3/4
21	4	YNFG08010	NUT FLANGE, 1/4

FIGURE 9 **TANK COVER AND COMPONENTS**

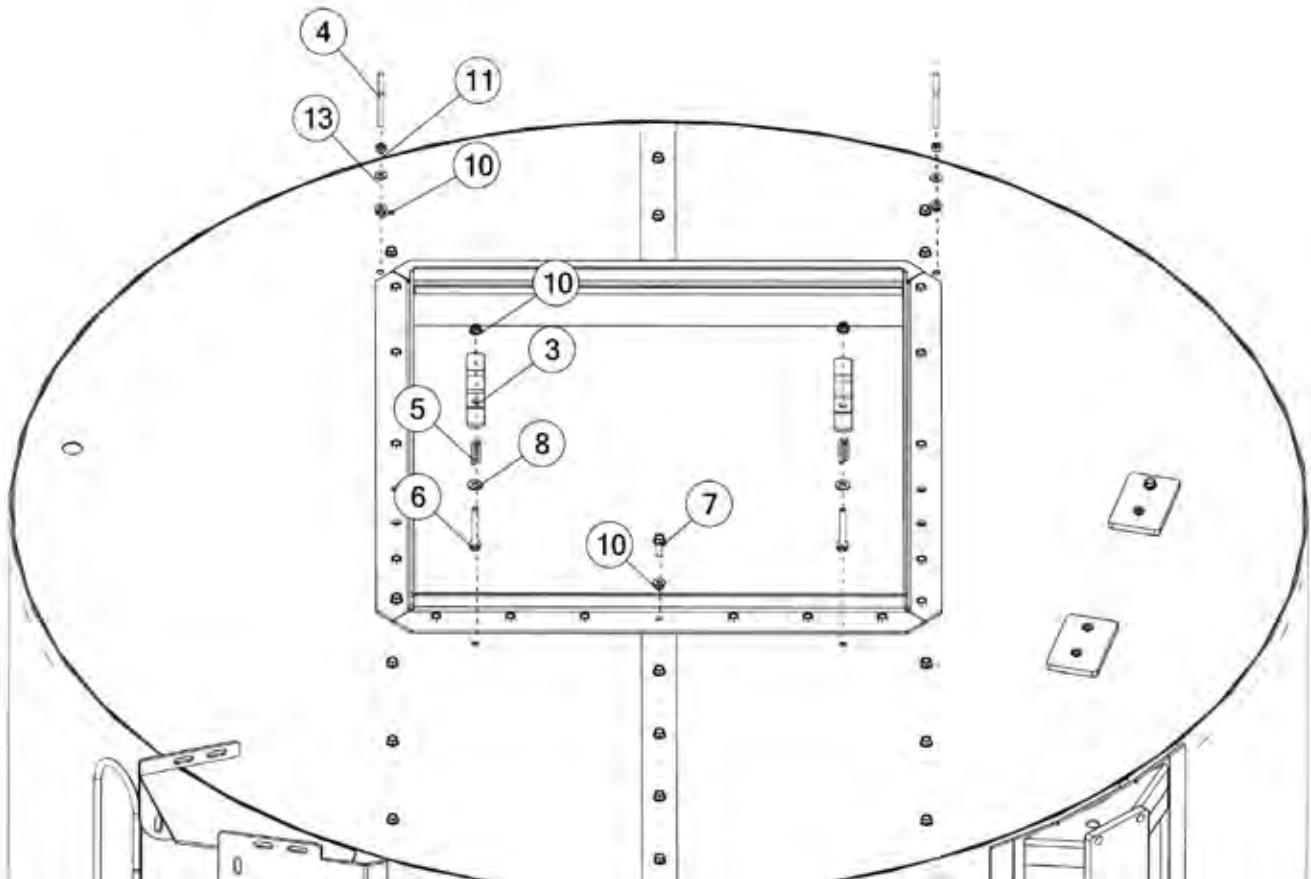
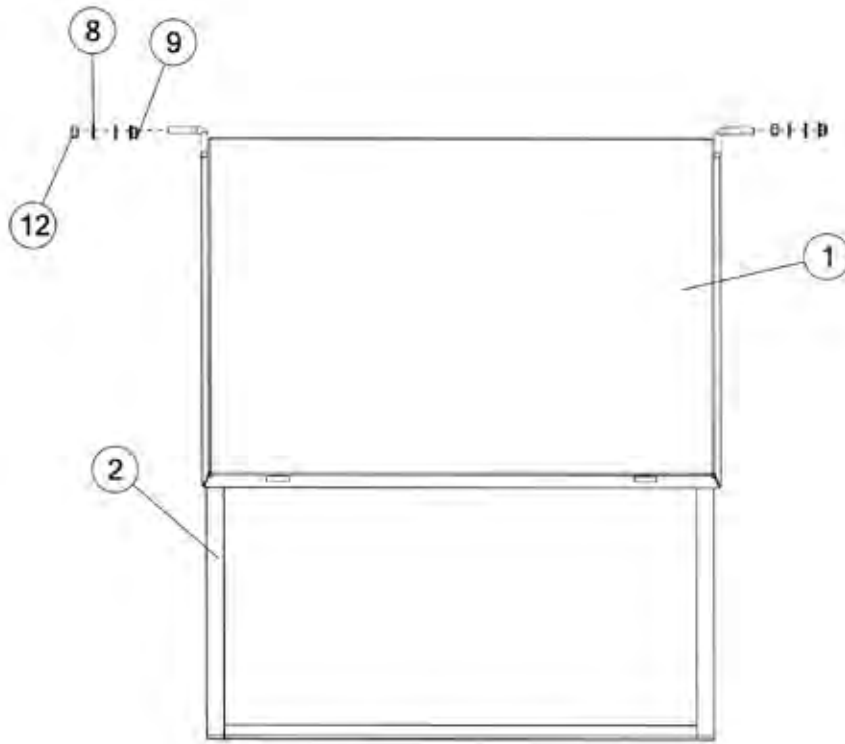


FIGURE 9

TANK COVER AND COMPONENTS

<u>ITEM</u>	<u>QTY</u>	<u>PART#</u>	<u>DESCRIPTION</u>
1	1	89721	TANK COVER, ASSEMBLY
2	1	GM571	LID GASKET LARGE
3	2	GM305	LATCH COVER 1 X 7.61 X .19
4	2	YBTE10015	BOLT TURNED EYE, 5/16 X 2-1/2
5	2	GM309	SPRING
6	2	YBFB10250	BOLT FLANGE, 5/16 X 2-1/2 G5
7	24	YBFB10001	BOLT FLANGE, 5/16 X 1 G5
8	6	YWFL12010	WASHER FLAT, 3/8
9	2	YNFG12006	NUT FLANGE, 3/8 GF
10	28	YNFG10005	NUT FLANGE, 5/16 GF
11	2	YNHX10010	NUT HEX, 5/16-18 NA G5 ZC
12	2	YNHX12004	NUT HEX, 3/8-16 NA G2 NF
13	2	YWFL10010	WASHER FLAT, 5/16

FIGURE 10 **TANK WINDOWS AND COMPONENTS**

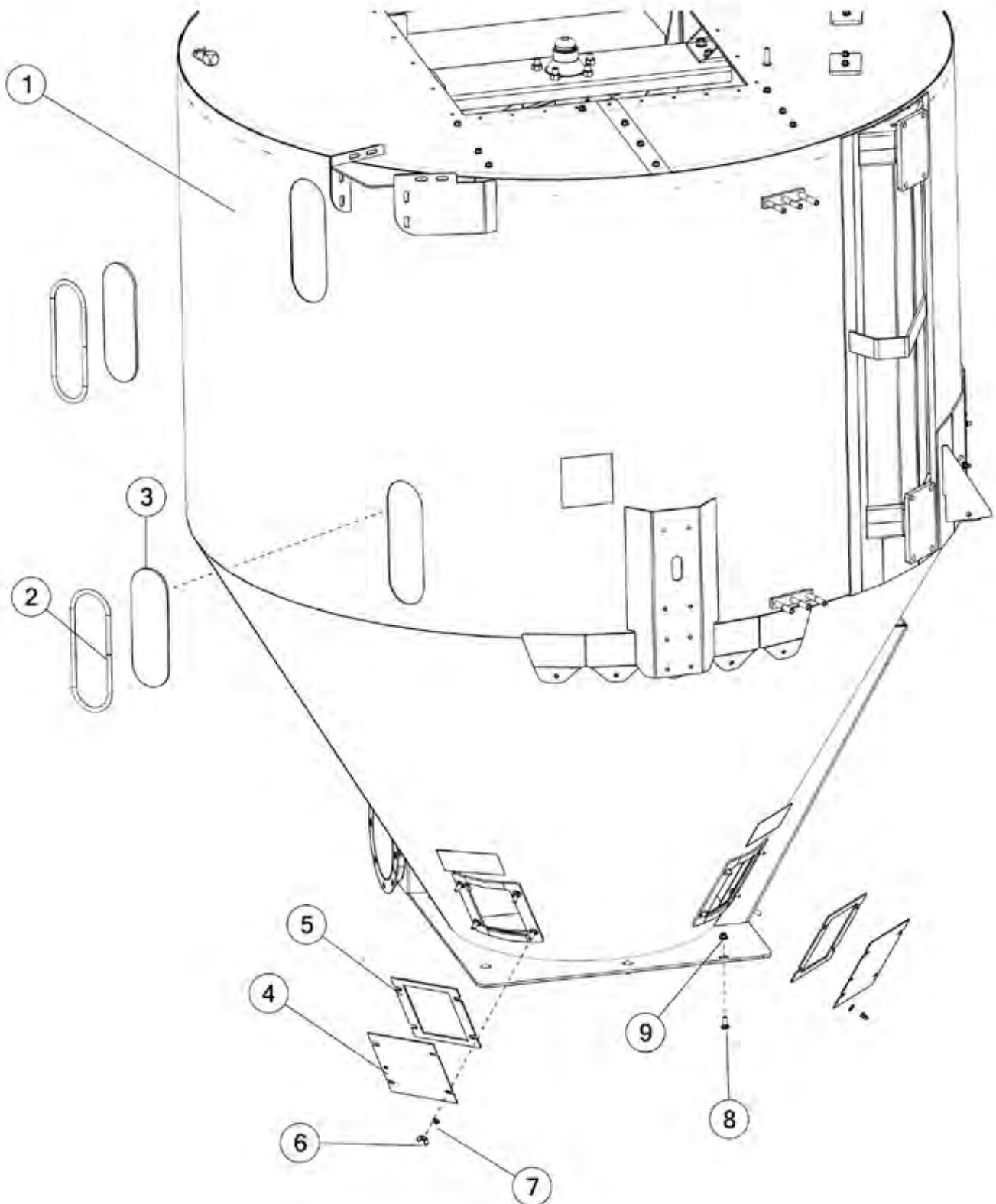


FIGURE 10
TANK WINDOWS AND COMPONENTS

<u>ITEM</u>	<u>QTY</u>	<u>PART#</u>	<u>DESCRIPTION</u>
1	1	85495	TANK
2	5	GM347	WINDOW GASKET
3	5	GM346	TOP SIGHT WINDOW
4	4	GM488B	AUGER CLEANOUT COVER
5	4	GM357	GASKET CLEANOUT
6	16	YNWG10005	NUT WING, 5/16-18 NA ZC
7	16	YWFL10010	WASHER FLAT, 5/16 SAE G8 YELLOW ZINC
8	3	YBCR12010	BOLT CARRIAGE, 3/8-16 X 1 G5 ZC
9	3	YNFG12006	NUT FLANGE, 3/8 GF

FIGURE 11 **MIXING AUGER AND COMPONENTS**

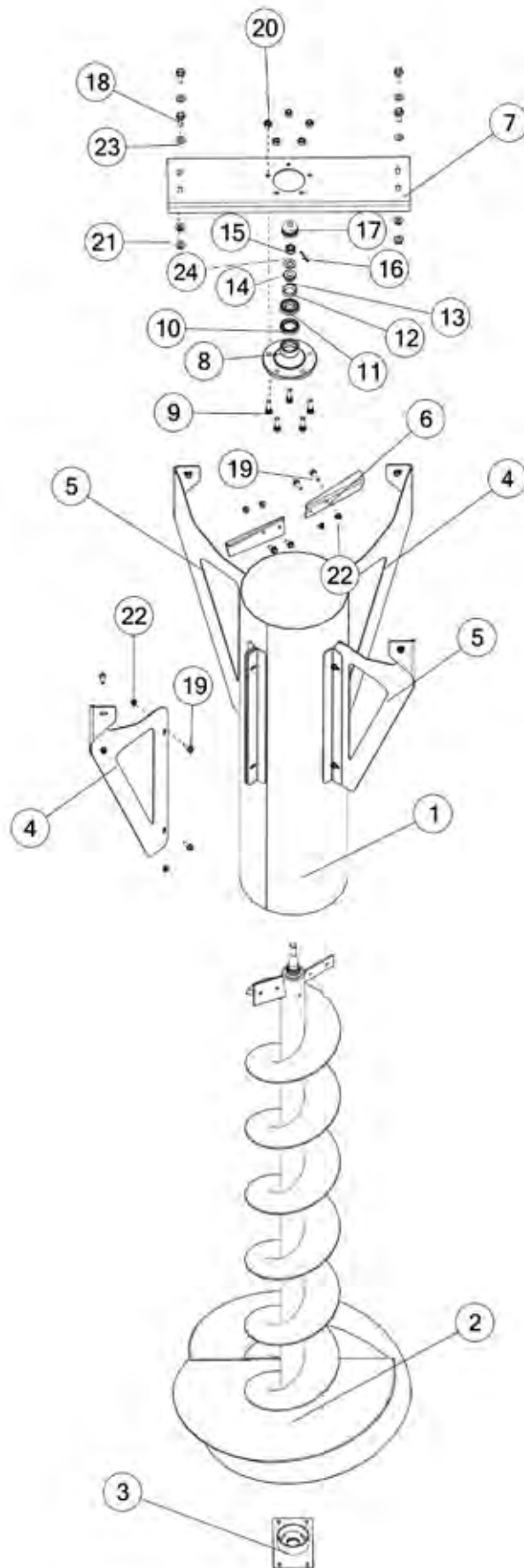


FIGURE 11

MIXING AUGER AND COMPONENTS

<u>ITEM</u>	<u>QTY</u>	<u>PART#</u>	<u>DESCRIPTION</u>
1	1	84971	MIXING AUGER TUBE
2	1	86436	MIXING AUGER
3	1	86245	STL PANEL, BOTTOM
4	2	GM564	WID SUPPORT A
5	2	GM565	WID SUPPORT B
6	2	86566	STEEL PANEL, BROADCAST
7	1	86420	HUB BRACKET
8	1	BFR60	HUB WITH RACES & STUDS
9	5	YBSD16005	BOLT STUD, 1/2 X 1-7/8 X 3/8 G5
10	1	60699	GREASE SEAL
11	1	17G145	TAPERED ROLLER BEARING
12	1	17G146	OUTER RACE
13	1	BFR62	OUTER BEARING
14	1	BFR61	OUTER RACE
15	1	YNSL24010	NUT HEX, SLOTTED, 3/4 G2
16	1	YPCT05010	COTTER PIN 5/32 X 1-1/2
17	1	BFR66	HUB CAP
18	4	YBFB16150	BOLT FLANGE, 1/2 X 1-1/2 G5
19	16	YBFB12003	BOLT FLANGE, 3/8 X 1 G5 ZC
20	5	YNWL16005	NUT WHEEL, 1/2 G5
21	4	YNFG16003	NUT FLANGE, 1/2 GF
22	16	YNFG12006	NUT FLANGE, 3/8 GF
23	4	YWFL16015	WASHER FLAT, 1/2 G8
24	1	YWFL24010	WASHER FLAT, 3/4

FIGURE 12 YOKE AND TUBE AND COMPONENTS

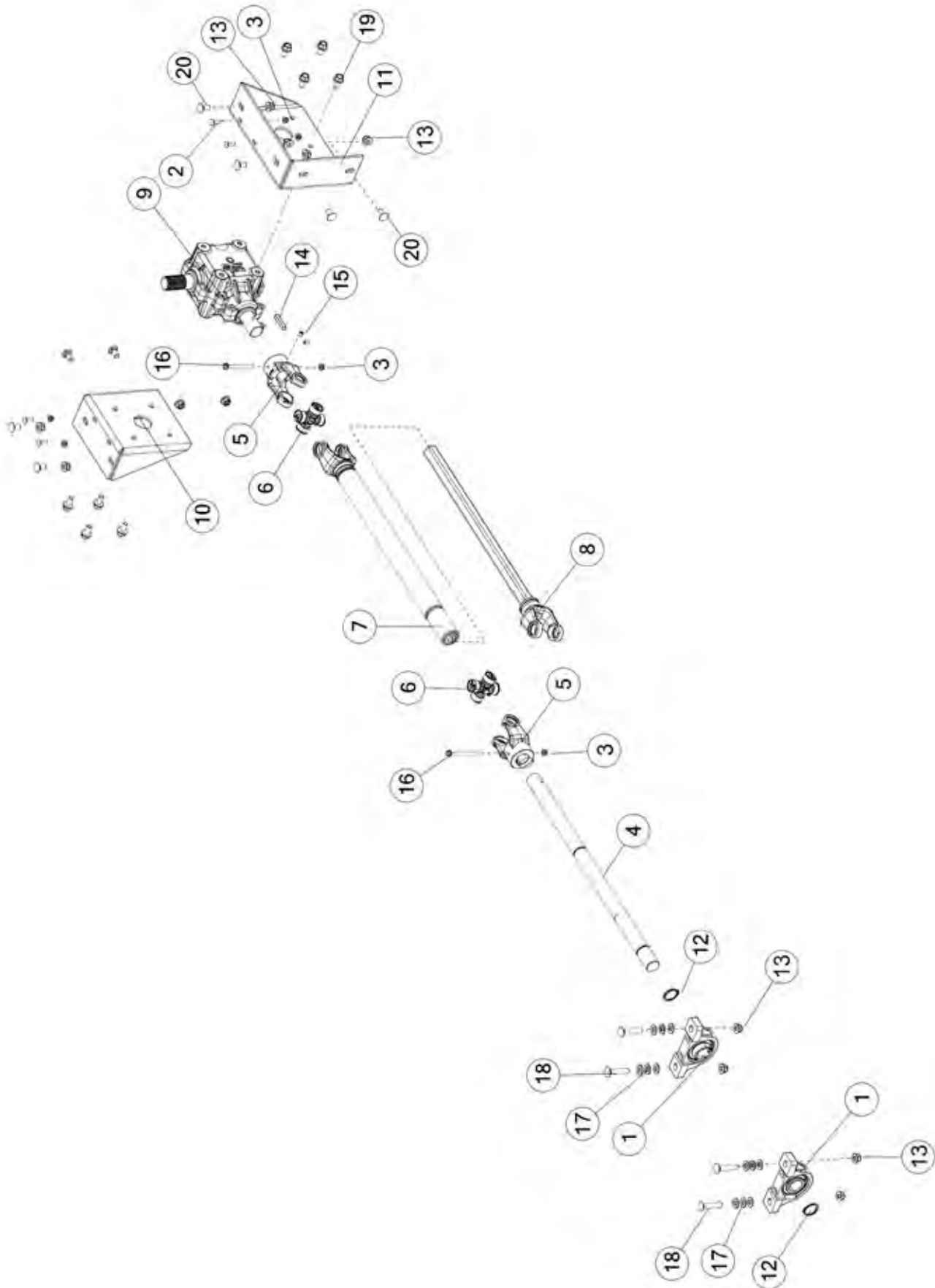


FIGURE 12

YOKE AND TUBE AND COMPONENTS

<u>ITEM</u>	<u>QTY</u>	<u>PART#</u>	<u>DESCRIPTION</u>
1	2	60659	PILLOW BLOCK BEARING
2	8	YBCR10010	BOLT CARRIAGE, 5/16 X 1 G5
3	6	YNFG10005	NUT FLANGE, 5/16 GF
4	1	87540	DRIVE SHAFT
5	2	82732	YOKE, IMPLEMENT, 1.5IN BORE
6	2	16SV179	CROSS KIT, 35R
7	1	82738	YOKE, TUBE, SLIP SLEEVE
8	1	82744	YOKE AND SHAFT
9	1	86580	GEARBOX
10	1	74241	GEAR BRACKET RH
11	1	73713	GEAR BRACKET LH
12	2	12V62	SNAP RING, 1-1/2IN HD EXTERNAL
13	20	YNFG16003	NUT FLANGE, 1/2 GF
14	1	PB87	SQUARE KEY, 3/8 X 2
15	2	YSSO12005	SCREW SET, SOCKET, 3/8 X 1/2
16	2	YBFB10350	BOLT FLANGE, 5/16 X 3-1/2 G8
17	12	YWFL16015	WASHER FLAT, 1/2 G8
18	4	YBCR16030	BOLT CARRIAGE, 1/2 X 2-1/2 G5
19	8	YBFB16100	BOLT FLANGE, 1/2 X 1 G5
20	4	YBCR16005	BOLT CARRIAGE, 1/2 X 1 G5

FIGURE 13 LADDER AND COMPONENTS

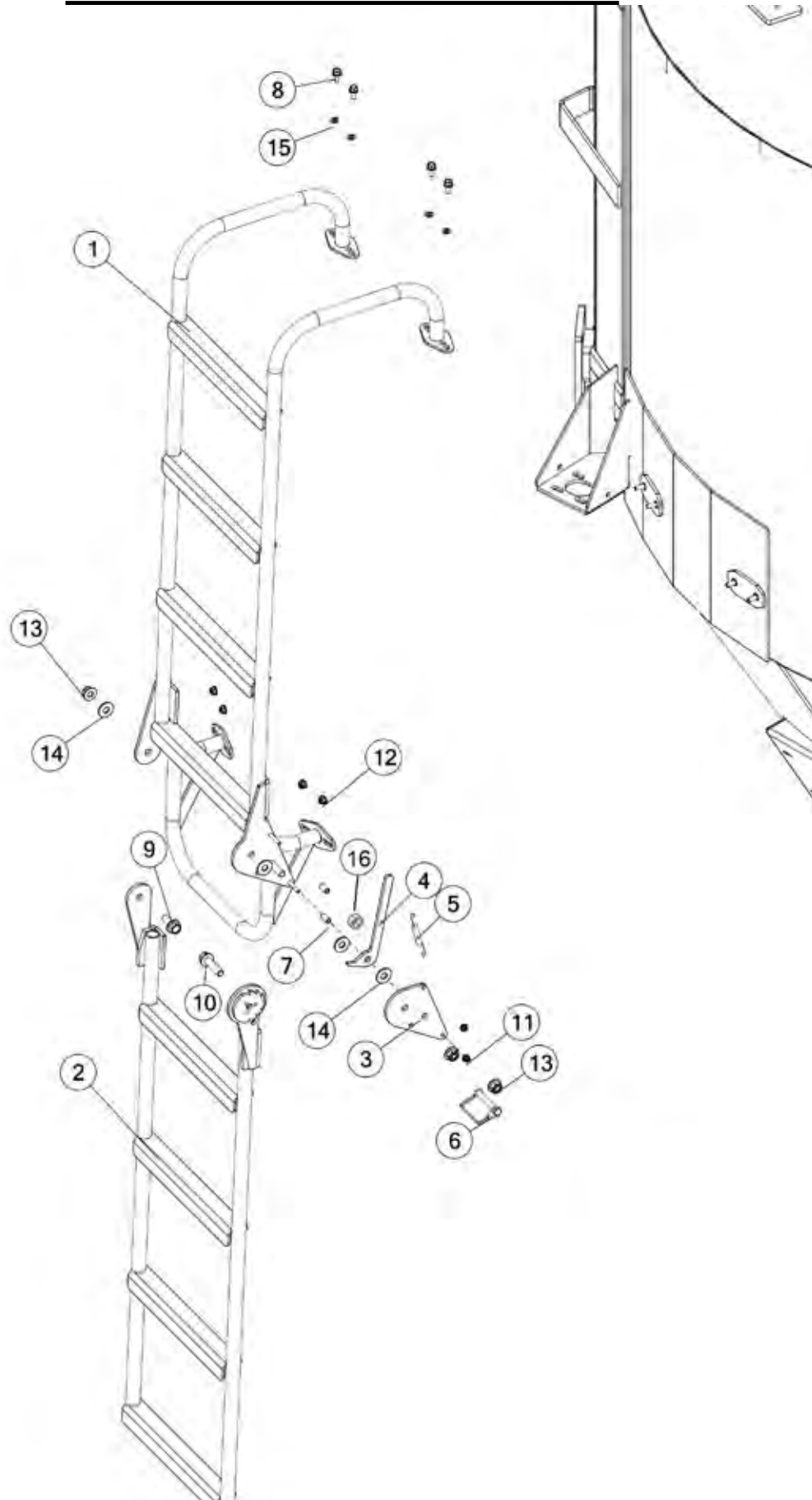


FIGURE 13

LADDER AND COMPONENTS

<u>ITEM</u>	<u>QTY</u>	<u>PART#</u>	<u>DESCRIPTION</u>
1	1	85484	TANK LADDER
2	1	85798	LOWER LADDER
3	1	86391	LADDER BRACKET
4	1	86388	DOG CLUTCH
5	1	GM208	LATCH SPRING
6	1	DWM191	SNAPPER PIN, 3/8 X 2-3/4
7	2	86404	SPACER
8	4	YBFB10075	BOLT FLANGE, 5/16 X 3/4 G5
9	1	YBFB16125	BOLT FLANGE, 1/2 X 1-1/4 G5
10	1	YBFB16200	BOLT FLANGE, 1/2 X 2 G5
11	2	YNFG08010	NUT FLANGE , 1/4 GF
12	4	YNFG10005	NUT FLANGE, 5/16 GF
13	2	YNFG16003	NUT FLANGE, 1/2 GF
14	2	YWFL16005	WASHER FLAT, 1/2
15	4	YWLO10005	WASHER LOCK, 5/16
16	1	80N11	FRONT POST SPACER

FIGURE 14
UNLOADING AUGER AND COMPONENTS

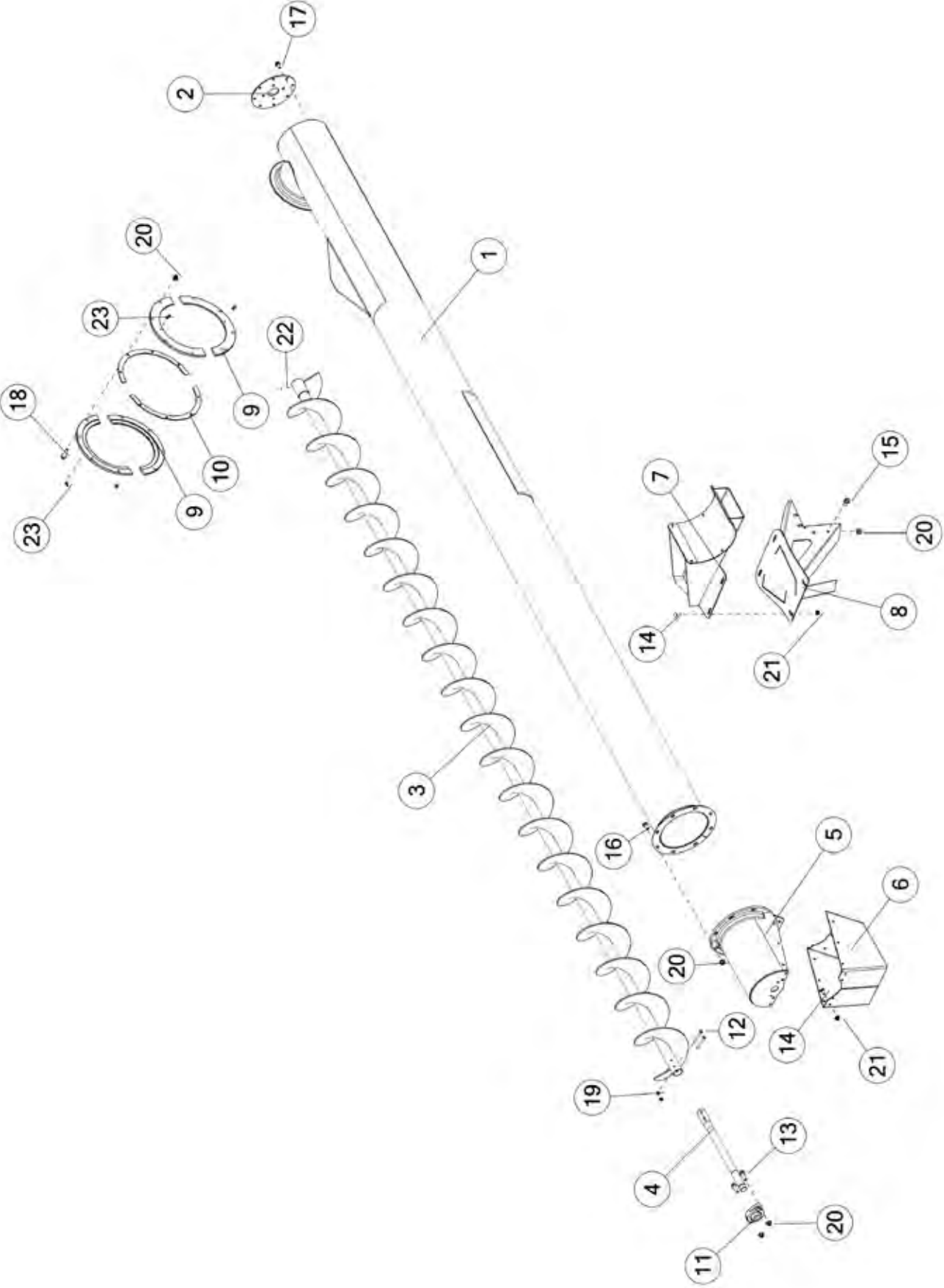


FIGURE 14

UNLOADING AUGER AND COMPONENTS

<u>ITEM</u>	<u>QTY</u>	<u>PART#</u>	<u>DESCRIPTION</u>
1	1	85626	UNLOADING AUGER HOUSING
2	1	GM245	AUGER INNER DRIVE CAP
3	1	80542	UNLOADING AUGER 12FT
4	1	85691	AUGER LONG BEARING SHAFT
5	1	GM243	SPOUT
6	1	GM244	SPOUT RUBBER
7	1	89649	AUGER CRADLE
8	1	89648	AUGER CRADLE BRACKET
9	3	GM231	STAGGERED PIVOT COLLAR
10	1	GM232	COLLAR SHIM
11	1	T40	BEARING W/LOCK COLLAR, 1
12	2	YBHH08060	BOLT HEX, 1/4-20 X 2-1/4 G5 ZC
13	2	YBFB12125	BOLT FLANGE, 3/8 X 1-1/4 G5
14	17	YBCR10030	BOLT CARRIAGE, 5/16 X 3/4 G5
15	8	YBFB12003	BOLT FLANGE, 3/8 X 1 G5 ZC
16	8	YBFB12075	BOLT FLANGE, 3/8 X 3/4 G5
17	8	YBFB10075	BOLT FLANGE, 5/16 X 3/4 G5
18	8	YBFB12150	BOLT FLANGE, 3/8 X 1-1/2 G5
19	9	YNHX08005	NUT HEX, 1/4 G5
20	24	YNFG12006	NUT FLANGE, 3/8 GF
21	4	YNFG10005	NUT FLANGE, 5/16 GF
22	1	YSSO64005	SET SCREW, SOCKET, #10-32 X 1/4
23	4	RG51	ZERK, 90 DEGREE 1/4-28

FIGURE 15 **VERTICAL AUGER TUBE AND COMPONENTS**

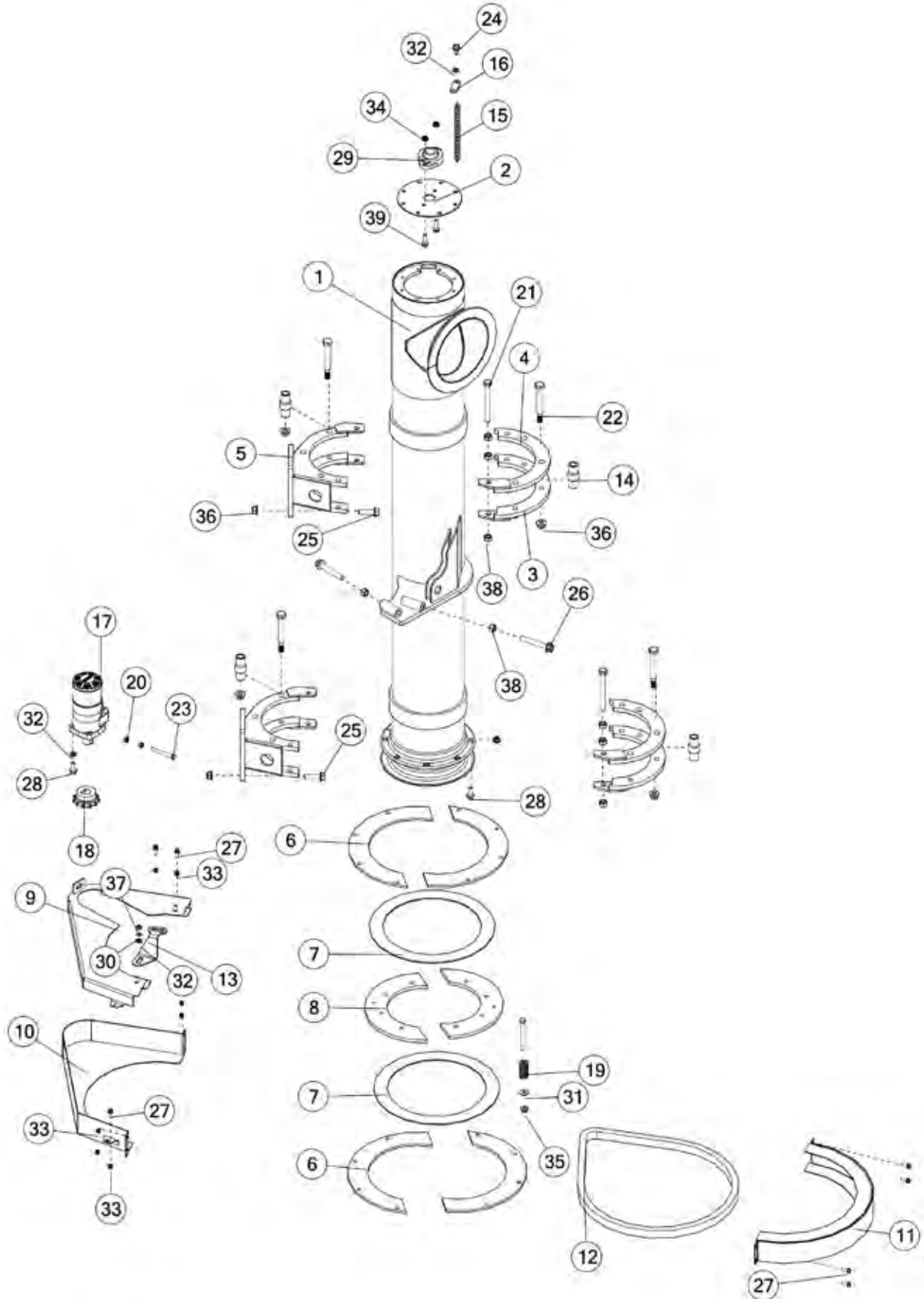


FIGURE 15

VERTICAL AUGER TUBE AND COMPONENTS

<u>ITEM</u>	<u>QTY</u>	<u>PART#</u>	<u>DESCRIPTION</u>
1	1	85625	VERTICAL AUGER TUBE
2	1	85932	AUGER INNER IDLE CAP
3	2	GM340	SPLIT RING BOTTOM
4	2	GM341	SPLIT RING TOP
5	2	75386	WELDMENT, AUGER, TOP
6	4	GM229	PLATE, 15-1/2 X 8.23 X 1/4, CLUTCH FACE
7	2	GM237	GREEN BRAKE, CLUTCH MATERIAL
8	2	GM228	PLATE, 12.98 X 7.01 X .38, CLUTCH PLATE
9	1	86076	CHAIN SHIELD, TOP
10	1	86078	CHAIN SHIELD, BOTTOM
11	1	75434	GUARD, RING, OUTER
12	1	84459	ROLLER CHAIN, 60 X 79
13	1	86084	BRACKET GUARD
14	12	GM345	TOP ROLLER
15	1	23N187	EXTENSION SPRING
16	1	GM436	HOSE HOLDER
17	1	81570	HYDRAULIC MOTOR, 22.6CI
18	1	GM226	AUGER TURN SPROCKET
19	18	WM210	DIE SPRING, HEAVY LOAD, 1.0X1.5X2.0
20	2	YNHX10010	NUT HEX, 5/16-18 NA G5 ZC
21	4	YBHH16156	BOLT HEX, 1/2 X 5 G5 FULL THREAD
22	12	GM342	BOLT SHOULDER, 5/8 X 4-7/8, 1/2-13
23	1	YBHH10095	BOLT HEX, 5/16 X 3 G2 FULL THREAD
24	8	YBFB12075	BOLT FLANGE, 3/8 X 3/4 G5
25	8	YBFB16175	BOLT FLANGE, 1/2 X 1-3/4 G5
26	2	YBFB16350	BOLT FLANGE, 1/2 X 3-1/2 G5
27	7	YBFB08075	BOLT FLANGE, 1/4 X 3/4 G5
28	12	YBFB12003	BOLT FLANGE, 3/8 X 1 G5
29	1	T40	BEARING, 2 BOLT, 1 BORE W/COLLAR
30	1	YWFL06010	WASHER FLAT, USS #10 ZINC
31	8	YWFL12005	WASHER FLAT, 3/8 USS
32	8	YWLO12005	WASHER LOCK, 3/8
33	7	YNFG08010	NUT FLANGE, 1/4 GF
34	2	YNFG10005	NUT FLANGE, 5/16 GF
35	16	YNFG12006	NUT FLANGE, 3/8 GF
36	20	YNFG16003	NUT FLANGE, 1/2 GF
37	1	YNHX10005	NUT HEX, 5/16-18 NA A ZC
38	12	YNHX1600	NUT HEX, 1/2-13 NA
39	2	YBFB10125	BOLT FLANGE, 5/16 X 1-1/4 G5

FIGURE 16 VERTICAL AUGER AND COMPONENTS

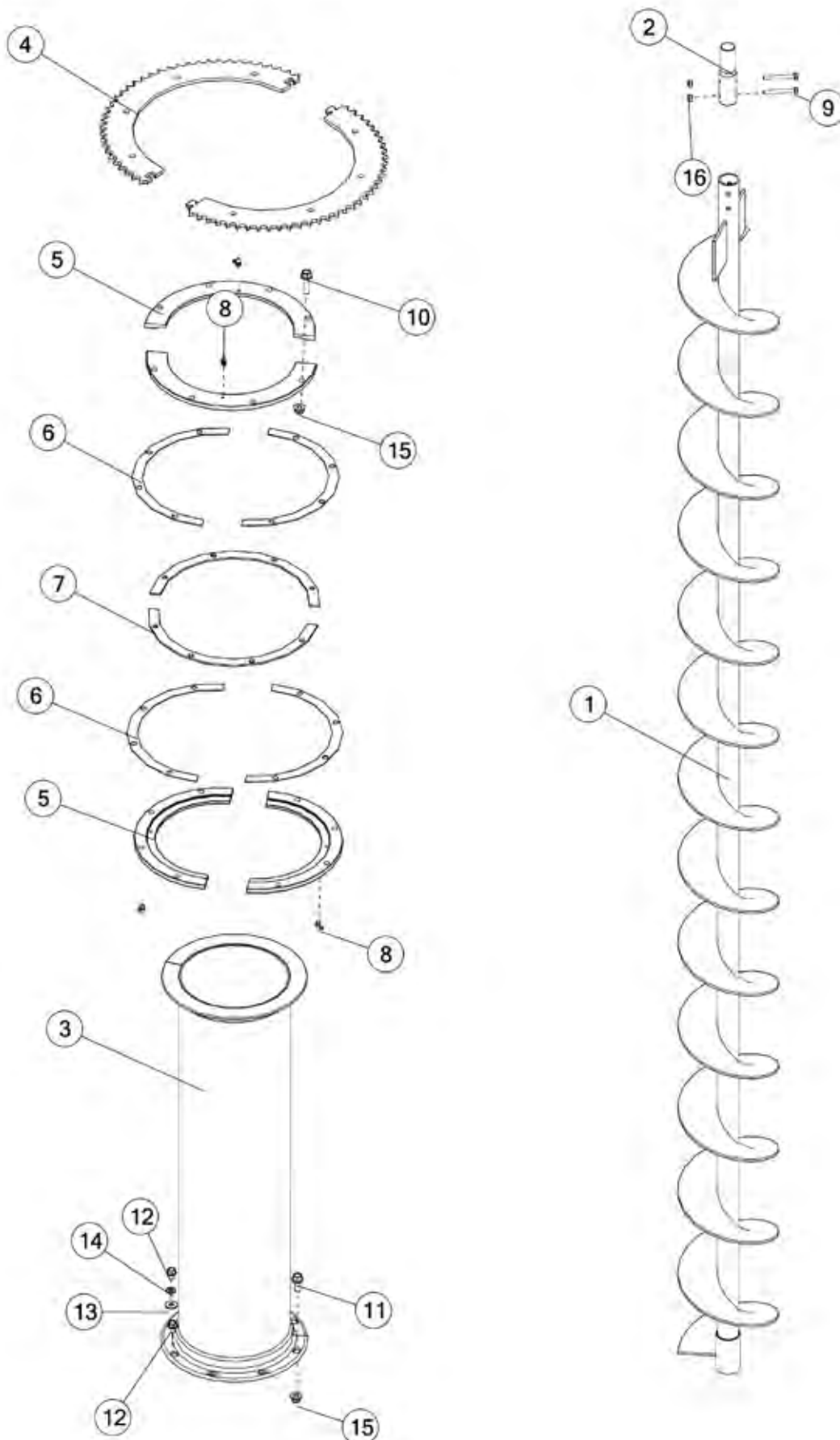


FIGURE 16
VERTICAL AUGER AND COMPONENTS

<u>ITEM</u>	<u>QTY</u>	<u>PART#</u>	<u>DESCRIPTION</u>
1	1	78393	AUGER, VERTICAL
2	1	GM233	VERTICAL AUGER SHAFT
3	1	78157	ROUND TUBE, AUGER
4	2	GM238	CLUTCH SPROCKET, 60 B
5	4	GM231	STAGGERED PIVOT COLLAR
6	4	GM459	COLLAR SHIM
7	1	GM232	COLLAR SHIM
8	4	RG51	ZERK, 90 DEGREE 1/4-28
9	2	YBHH08060	BOLT HEX, 1/4-20 X 2-1/4 G5 ZC
10	8	YBFB12150	BOLT FLANGE, 3/8 X 1-1/2 G5
11	4	YBFB12003	BOLT FLANGE, 3/8 X 1 G5 ZC
12	4	YBFB10002	BOLT FLANGE, 5/16 X 1/2 G5
13	4	YWFL10005	WASHER LOCK, 3/8
14	4	YWLO12005	WASHER LOCK, 3/8
15	16	YNFG12006	NUT FLANGE, 3/8 GF
16	2	YNTL08005	NUT HEX, TOP LOCK, 1/4 G5

FIGURE 17 **AUGER HOUSING AND COMPONENTS**

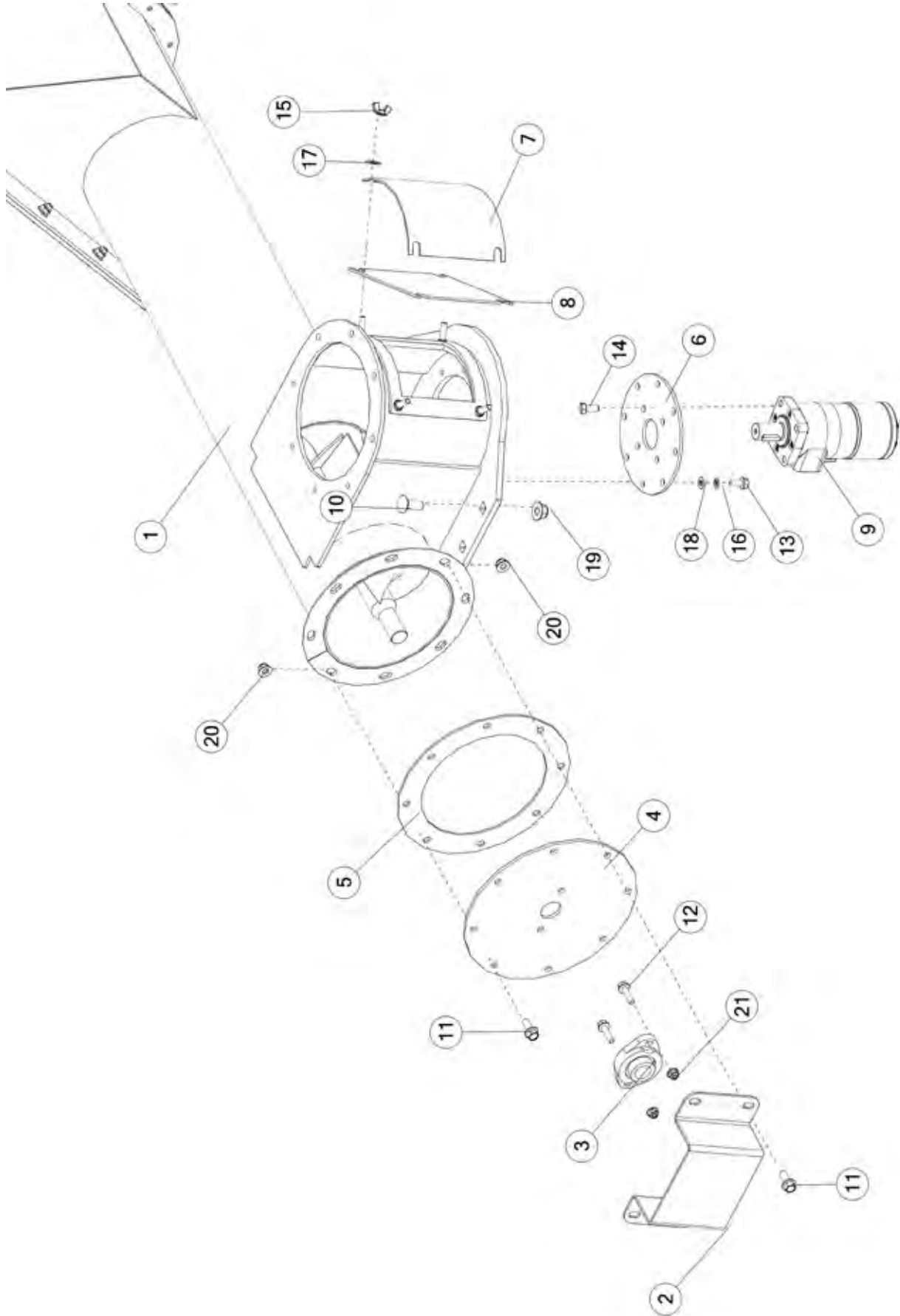


FIGURE 17

AUGER HOUSING AND COMPONENTS

<u>ITEM</u>	<u>QTY</u>	<u>PART#</u>	<u>DESCRIPTION</u>
1	1	85488	AUGER HOUSING ASSEMBLY
2	1	86534	SHAFT SHIELD
3	1	T40	BEARING W/LOCK COLLAR, 1
4	1	78254	AUGER COVER
5	1	74281	SHIM
6	1	81642	AUGER INNER DRIVE CAP
7	1	80194	STEEL PANEL, CLEANOUT DOOR
8	1	84174	GASKET, CLEANOUT
9	1	85344	HYDRAULIC MOTOR, 10.1CI
10	4	YBCR16015	BOLT CARRIAGE, 1/2 X 1-1/4 G5
11	8	YBFB12003	BOLT FLANGE, 3/8 X 1 G5 ZC
12	2	YBFB10125	BOLT FLANGE, 5/16 X 1-1/4 G5
13	8	YBFB10075	BOLT FLANGE, 5/16 X 3/4 G5
14	4	YBHH12135	BOLT HEX, 3/8 X 3/4 G5
15	4	YNWG10005	NUT WING, 5/16-18 NA ZC
16	8	YWLO10005	WASHER LOCK, 5/16
17	4	YWFL10005	WASHER LOCK, 3/8
18	8	YWFL10010	WASHER FLAT, 5/16 G8
19	4	YNFG16003	NUT FLANGE, 1/2 GF
20	8	YNFG12006	NUT FLANGE, 3/8 GF
21	2	YNFG10005	NUT FLANGE, 5/16 GF

FIGURE 18 **GATE AND COMPONENTS**

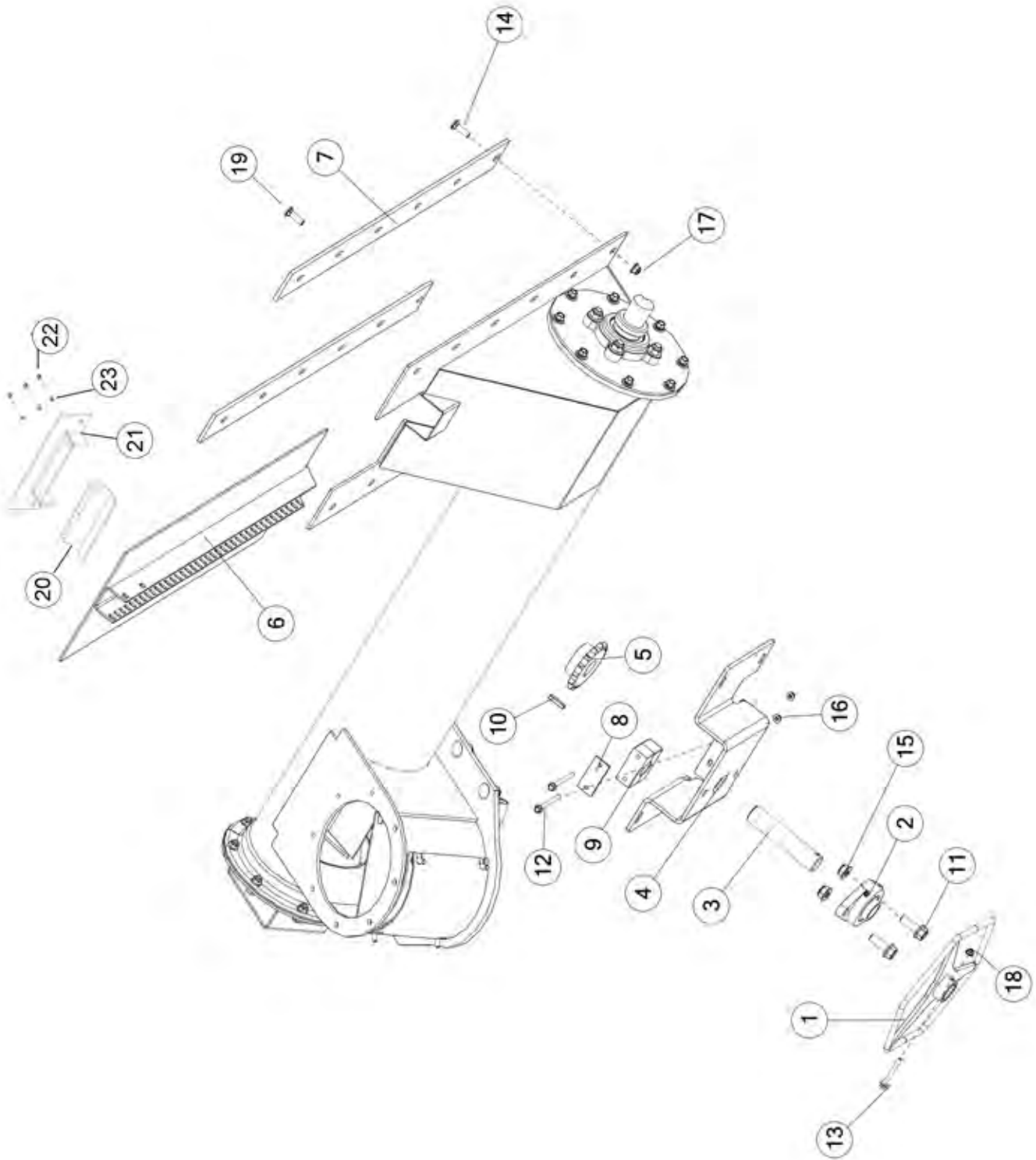


FIGURE 18

GATE AND COMPONENTS

<u>ITEM</u>	<u>QTY</u>	<u>PART#</u>	<u>DESCRIPTION</u>
1	1	85582	HANDLE, GATE
2	1	12N29	FLANGE BEARING
3	1	85568	HANDLE SHAFT
4	1	85698	GATE BRACKET
5	1	55230	SPROCKET, 60B15, 1-1/4 SHAFT
6	1	85690	GATE
7	2	80232	SPACER, 1/4
8	1	56566	CLAMP TOP PLATE
9	1	CHM289	CLAMP HALVES 1-1/4 TUBE
10	1	S135	SQUARE KEY, 1/4 X 1-1/4
11	2	YBFB16150	BOLT FLANGE, 1/2 X 1-1/2 G5
12	2	YBFB08300	BOLT FLANGE, 1/4 X 3 G5
13	1	YBFB08225	BOLT FLANGE, 1/4 X 2-1/4 G5
14	10	YBCR12020	BOLT CARRIAGE, 3/8 X 1-1/4 G5
15	1	YNFG16003	NUT FLANGE, 1/2 GF
16	2	YNFG08010	NUT FLANGE , 1/4 GF
17	12	YNFG12006	NUT FLANGE, 3/8 GF
18	1	YNFG08010	NUT FLANGE , 1/4 GF
19	2	YBCR12030	BOLT CARRIAGE, 3/8-16 X 1-3/4 G5 ZC
20	1	92280	GATE SEAL
21	1	92279	WIPER BRACKET
22	3	YBFB08100	BOLT FLANGE, 1/4 X 1 G5
23	3	YNFG08100	NUT FLANGE, 1/4 GF

FIGURE 19
HORIZONTAL AUGER AND COMPONENTS

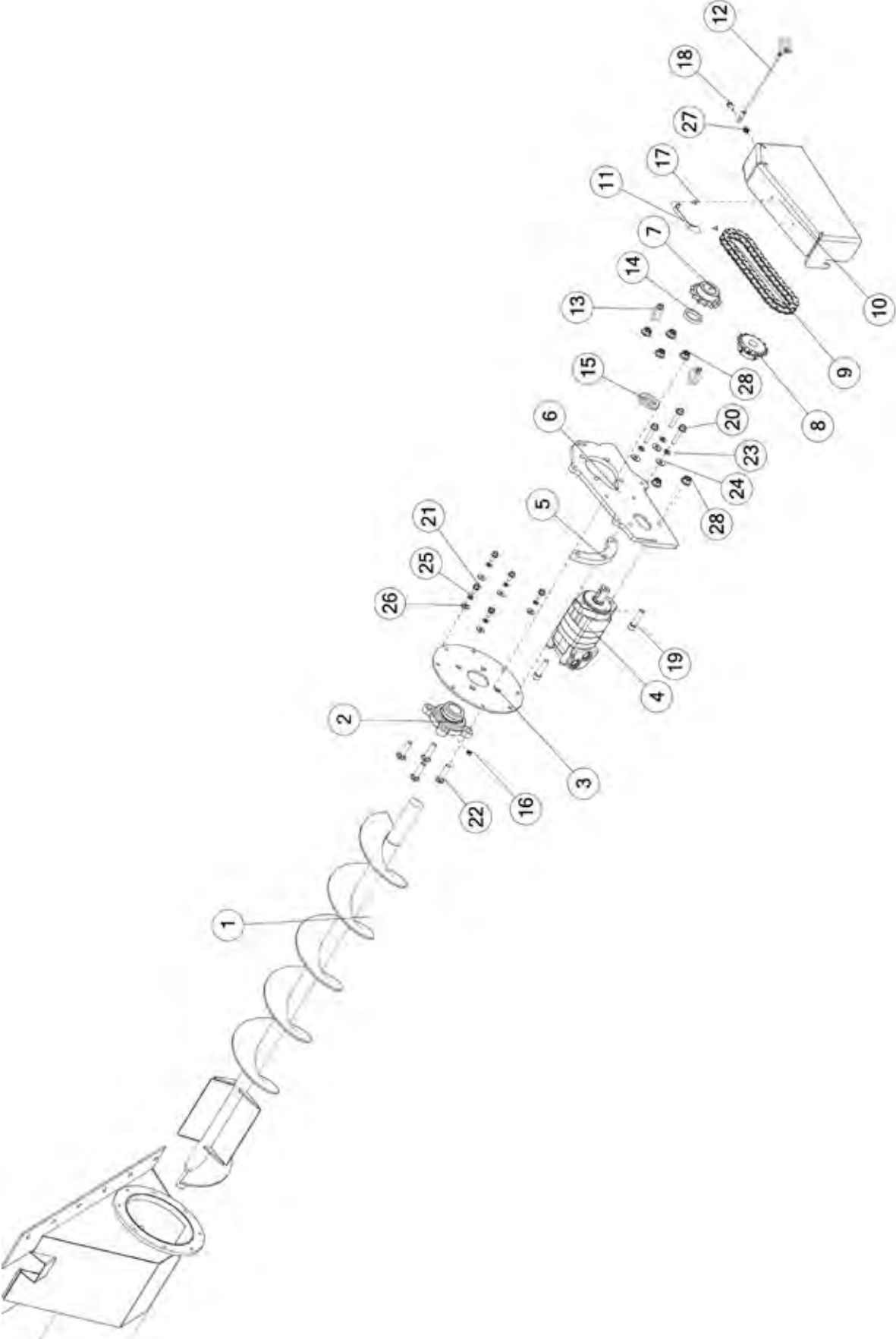


FIGURE 19

HORIZONTAL AUGER AND COMPONENTS

<u>ITEM</u>	<u>QTY</u>	<u>PART#</u>	<u>DESCRIPTION</u>
1	1	85646	HORIZONTAL AUGER, ASSY
2	1	78670	BALL BEARING, 1.50
3	1	85629	AUGER DRIVE CAP
4	1	81565	HYD MOTOR, 6.2CI
5	1	89615	SPACER
6	1	89618	MOTOR PLATE
7	1	TS36	SINGLE SPROCKET, 13
8	1	85671	SINGLE SPROCKET, 13
9	1	85995	ROLLER CHAIN, #60, 36P
10	1	89626	SHIELD
11	1	79671	PULL HANDLE, PLASTIC
12	1	S122	LANYARD, CLIP PIN CABLE
13	2	YPLY06010	LYNCH PIN, 3/16 X 1-9/16
14	1	89620	SPACER
15	1	78669	STOP RING
16	1	RG51	ZERK, 90 DEGREE 1/4"-28
17	2	YSPN64004	MACHINE PPHS, #10-24 X 3/8 SS
18	1	YBFB08075	BOLT FLANGE, 1/4 X 3/4 G5
19	2	YSHS16015	BOLT SOCKET, 1/2-13 X 2 BO
20	3	YBFB12200	BOLT FLANGE, 3/8 X 2 G5
21	5	YBFB10075	BOLT FLANGE, 5/16 X 3/4 G5
22	4	YBCR16020	BOLT CARRIAGE, 1/2-13 X 2 G5 ZC
23	3	YWLO12005	WASHER LOCK, 3/8
24	3	YWFL12005	WASHER FLAT, 3/8 USS
25	5	YWLO10005	WASHER LOCK, 5/16
26	5	YWFL10005	WASHER FLAT, 5/16 USS
27	1	YNFG08010	NUT FLANGE, 1/4 GF
28	6	YNFG16003	NUT FLANGE, 1/2 GF

FIGURE 20
TRANSFER AUGER AND COMPONENTS

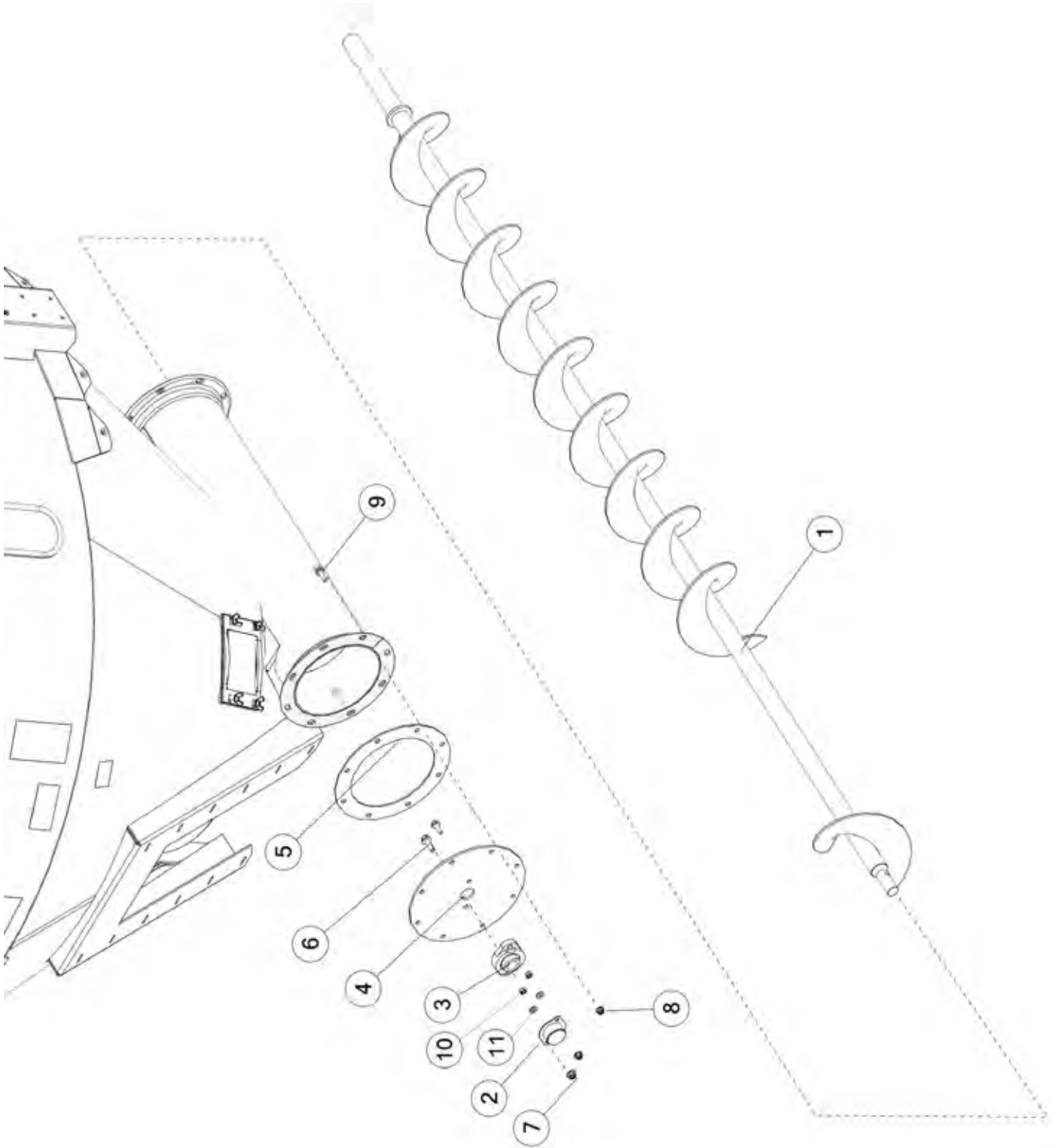


FIGURE 20
TRANSFER AUGER AND COMPONENTS

<u>ITEM</u>	<u>QTY</u>	<u>PART#</u>	<u>DESCRIPTION</u>
1	1	78665	TRANSFER AUGER ASSEMBLY
2	1	86534	SHAFT SHIELD
3	1	T40	BEARING W/LOCK COLLAR, 1
4	1	78254	AUGER COVER
5	1	74281	SHIM
6	2	YBFB12125	BOLT FLANGE, 3/8 X 1-1/4 G5
7	2	YNFG12006	NUT FLANGE, 3/8 GF
8	8	YNFG10005	NUT FLANGE, 5/16 GF
9	8	YBFB12003	BOLT FLANGE, 3/8 X 1 G5 ZC
10	2	YNHX12005	NUT HEX, 3/8
11	2	YWFL12010	WASHER FLAT, 3/8

FIGURE 21 HYDRAULICS

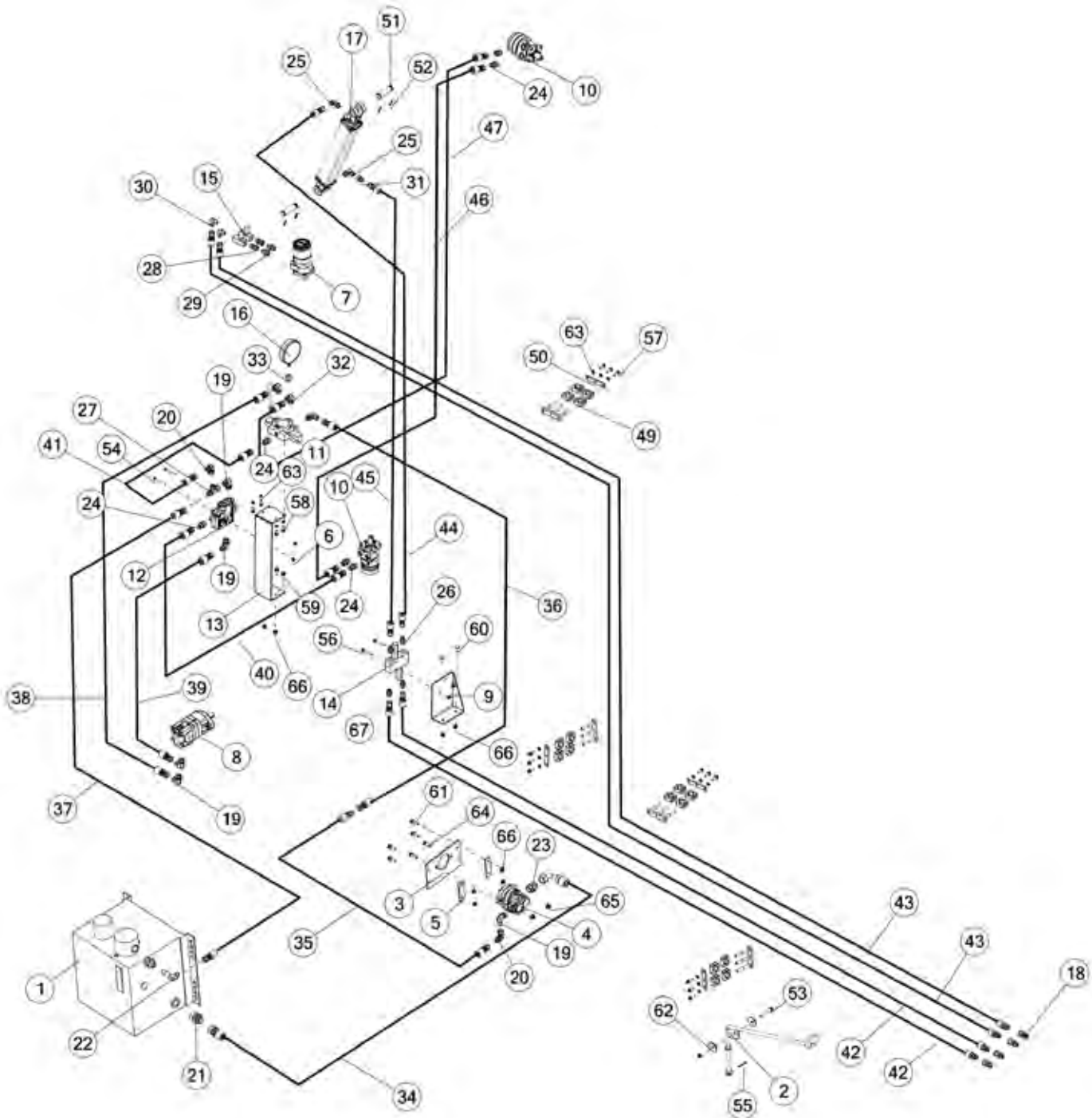


FIGURE 21 HYDRAULICS

<u>ITEM</u>	<u>QTY</u>	<u>PART#</u>	<u>DESCRIPTION</u>
1	1	81577	HYD TANK, 12GAL
2	1	GM440	GRINDER HOSE HOLDER
3	1	81618	HYD PUMP BRACKET
4	1	81560	HYD PUMP
5	2	81620	PUMP SHIM, 0.19
6	2	YNFG08010	NUT FLANGE, 1/4 GF
7	1	81570	HYD MOTOR, 22.6CI
8	1	81565	HYD MOTOR, 6.2CI
9	1	84333	HYD VALVE BRKT
10	2	85344	HYD MOTOR, 10.1CI
11	1	81576	HYD VALVE, CONTROL
12	1	GM20	FLOW CONTROL
13	1	84297	CONTROL BRACKET
14	1	81571	HYD VALVE, CROSS PORT
15	1	CHM265	F600S PARKER COLOR FLOW NEEDLE VALVE
16	1	84937	HYD VALVE, GAUGE
17	1	78777	HYD CYLINDER, 2.5 X 18, ORB
18	1	67148	FITTING, ST, 8ORB, QUICK COUPLER TIP
19	5	GM56	FITTING 90, 10JIC X 10ORB
20	2	83997	FITTING 90, 10 JIC, 10 JIC
21	1	81644	FITTING, ST, 16JIC, 20NPT
22	1	84342	MALE ELBOW, 37DEC/NPT
23	1	8722	FITTING, ST, 12JIC, 12ORB, STL
24	6	GM57	FITTING, ST, 10JIC, 10ORB, STL
25	2	TS135	FITTING, ELBOW, 8-C5OX-S
26	2	TS137	FITTING, ST, 8 JIC, 8 ORB, STL
27	1	GM55	FITTING, TEE, 10JIC X 10JIC X 10JIC
28	2	84724	MALE CONNECTOR 37 DEG SWIVEL
29	2	GM27	FITTING, ST, 8JIC, 10ORB, STL
30	1	TS136	FITTING, 90, 8JIC X 3/8NPT
31	1	TS197	IN-LINE CONNECTOR, ORIFICE, 8-XHX7-S .031
32	1	83733	FITTING, 90, 10JIC X 8ORB
33	1	82668	FITTING, ST, 8ORB, 1/4NPT, STL
34	1	84338	HYD HOSE, 16, 80IN
35	1	83842	HYD HOSE, 10, 111IN
36	1	83844	HYD HOSE, 10, 242IN
37	1	83849	HYD HOSE, 10, 162IN
38	1	85986	HYD HOSE, 10, 40IN
39	1	83851	HYD HOSE, 10, 24IN
40	1	83850	HYD HOSE, 10, 36IN

FIGURE 21 HYDRAULICS

<u>ITEM</u>	<u>QTY</u>	<u>PART#</u>	<u>DESCRIPTION</u>
41	1	84731	HYD HOSE, 10, 32IN
42	1	83902	HYD HOSE, 8, 251IN
43	1	83903	HYD HOSE, 8, 288IN
44	1	83852	HYD HOSE, 8, 158IN
45	1	83853	HYD HOSE, 8, 172IN
46	1	83846	HYD HOSE, 10, 185IN
47	1	82561	HYD HOSE, 10, 185IN
48	2	82556	HYD HOSE, 10, 185IN
49	16	GM66	HOSE CLAMP INSERT 1/2
50	4	GM64	TOP PLATE
51	2	T143	HYDRAULIC CYLINDER PIN
52	4	YPCT05010	COTTER PIN 5/32 X 1-1/2
53	1	YBFB12275	BOLT FLANGE, 3/8 X 2-3/4 G5
54	2	YBFB08250	BOLT FLANGE, 1/4 X 2-1/2 G5
55	1	YPCT06005	COTTER PIN, 3/16 X 1-1/2
56	2	YBFB10200	BOLT FLANGE, 5/16 X 2 G5
57	12	YBFB10001	BOLT FLANGE, 5/16 X 1 G5
58	4	YBFB10075	BOLT FLANGE, 5/16 X 3/4 G5
59	2	YBFB12003	BOLT FLANGE, 3/8 X 1 G5
60	2	YBCR12010	BOLT CARRIAGE, 3/8-16 X 1 G5 ZC
61	4	YBFB12125	BOLT FLANGE, 3/8 X 1-1/4 G5
62	2	YWCU99005	WASHER, CUSTOM, FENDER 3/8 X 2OD
63	4	YWLO1005	WASHER LOCK
64	2	YBCR14007	BOLT CARRIAGE, 7/16-14 X 1-1/2 G5 ZC
65	2	YNFG14011	NUT FLANGE, 7/16 GF
66	4	YNFG12006	NUT FLANGE, 3/8 GF
67	2	TS137	FITTING, ST, 8 JIC, 8 ORB STL

FIGURE 22 **HYDRAULIC TANK**

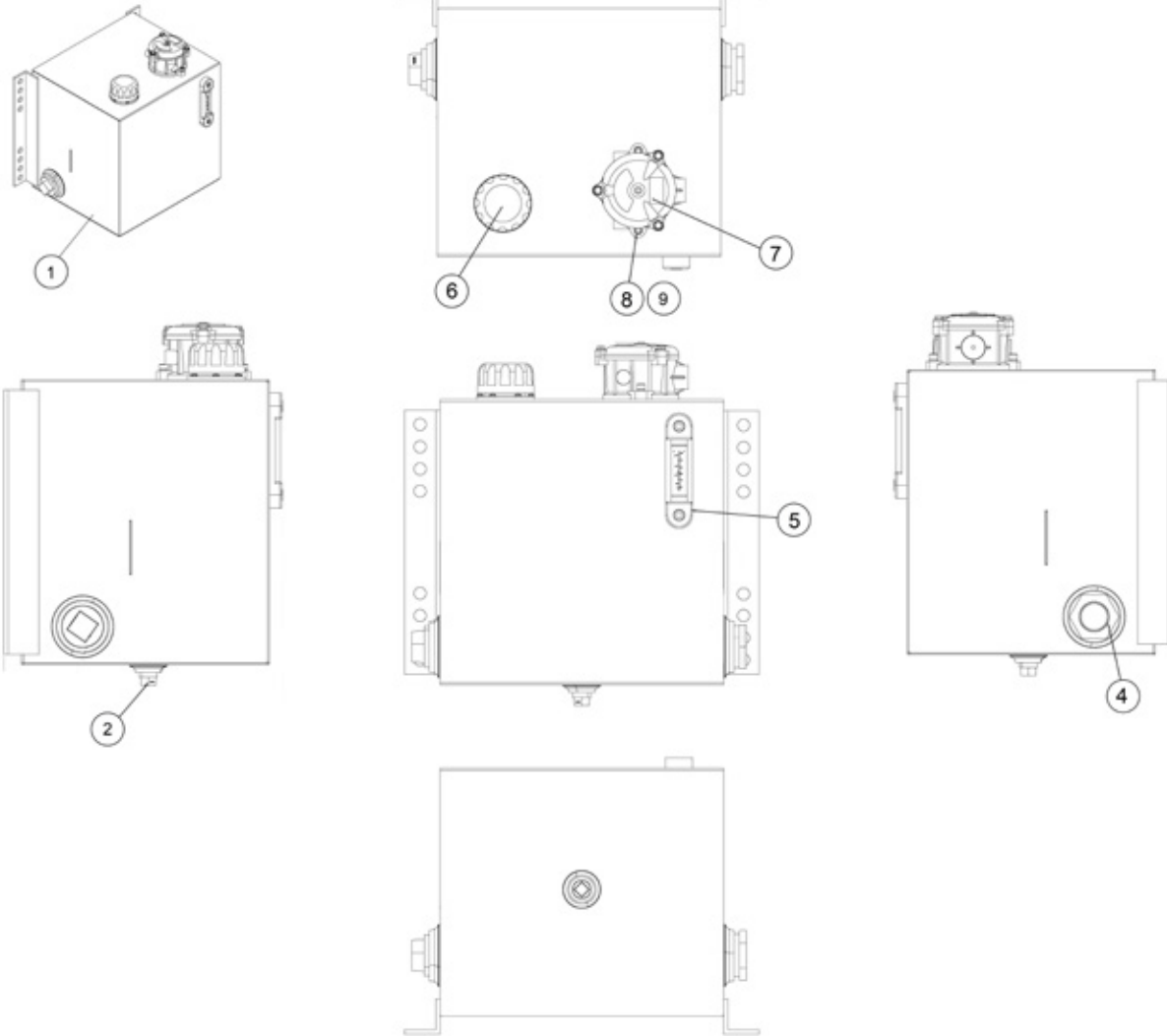


FIGURE 22 HYDRAULIC TANK

<u>ITEM</u>	<u>QTY</u>	<u>PART#</u>	<u>DESCRIPTION</u>
1	1	90951	OIL TANK
2	1	90618	TANK PLUG
3	1	90952	DRAIN PLUG, MAGENT
4	1	90614	SUCTION STRAINER
5	1	90615	TANK GUAGE
6	1	90616	TANK BREATHER
7	1	90617	TANK FILTER
8	2	YSHS10010	BOLT SOCKET, 5/16 X 1-1/4
9	2	YWHC12006	WASHER LOCK, 5/16
*	1	81577B	HYDRAULIC TANK

FIGURE 23
6' FOLDING EXTENSION OPTION

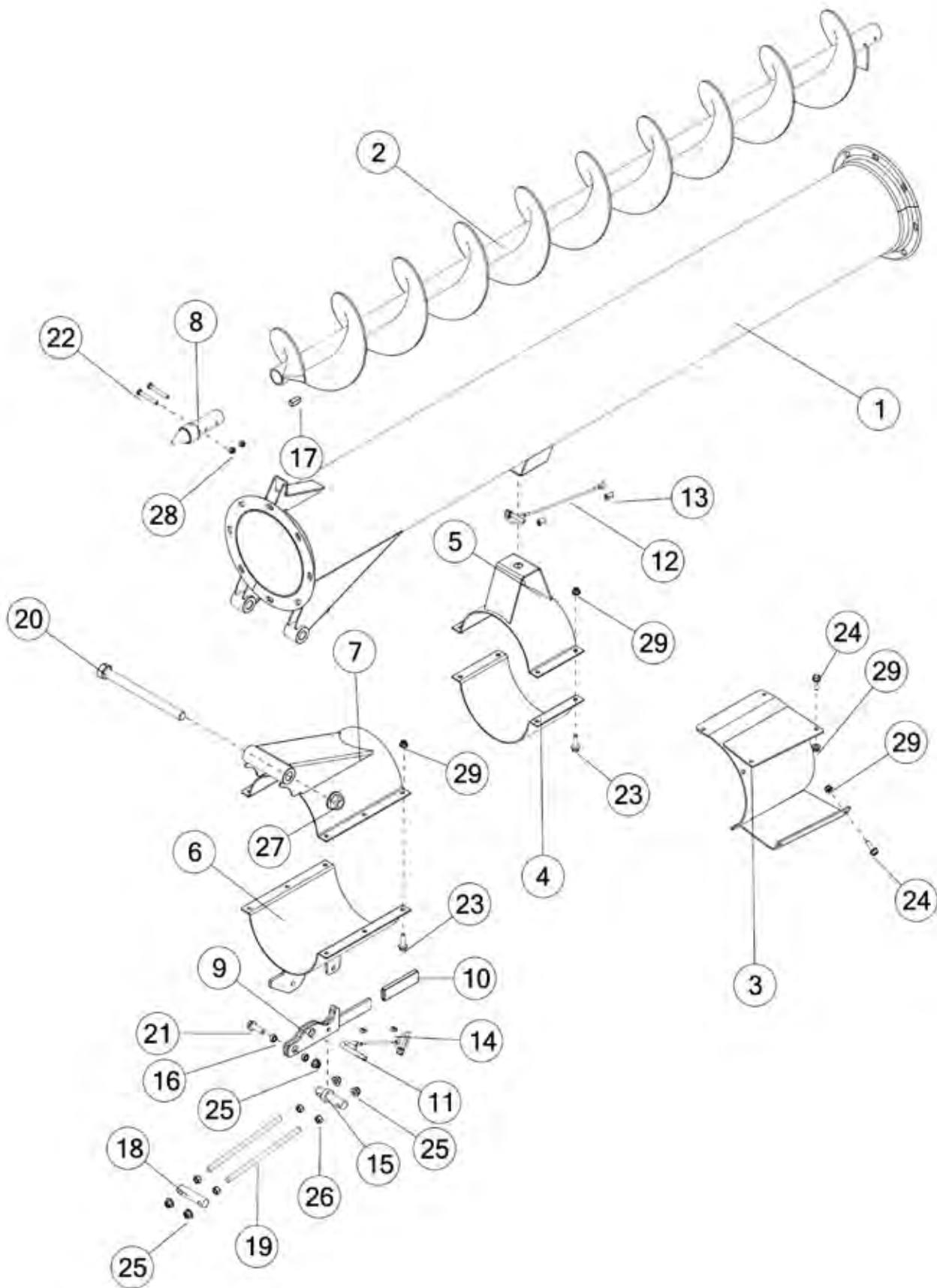


FIGURE 23

6' FOLDING EXTENSION OPTION

<u>ITEM</u>	<u>QTY</u>	<u>PART#</u>	<u>DESCRIPTION</u>
1	1	GM278	6 FT EXTENSION HOUSING
2	1	GM531	6 FT EXTENSION AUGER (CUPPED FLIGHTING)
3	1	GM514	CRADLE EXTENSION
4	1	GM289	TRANSPORT LOCK CLAMP
5	1	GM290	TRANSPORT LOCK LATCH
6	1	GM284	LATCH CLAMP
7	1	GM283	PIVOT CLAMP
8	1	GM282	AUGER CONNECT SHAFT
9	1	GM285	LATCH HANDLE
10	1	GM370	HANDLE GRIP
11	1	GM573	LATCH PIN W/CLIP PIN & LANYARD
12	1	S122	LYNCH PIN W/CABLE
13	2	71279	SLEEVE
14	2	ES15	CABLE CLAMP, 1/8
15	1	GM369	LATCH PIVOT PIN
16	2	GM180	DOOR PIVOT
17	1	50N140	SQUARE KEY, 3/8 X 1
18	1	GM286	LATCH PIVOT SHAFT
19	2	GM287	LATCH ROD
20	1	YBHH24120	BOLT HEX, 3/4-10 X 9 G5 ZC
21	1	YBFB12125	BOLT FLANGE, 3/8 X 1-1/4 G5
22	2	YBHH08045	BOLT HEX, 1/4 X 2 G5
23	10	YBFB10125	BOLT FLANGE, 5/16 X 1-1/4 G5
24	4	YBFB10001	BOLT FLANGE, 5/16 X 1 G5
25	5	YNFG12006	NUT FLANGE, 3/8 GF
26	4	YNHX12004	NUT HEX, 3/8 G2
27	1	YNFG24006	NUT FLANGE, TOPLOCK 3/4 GG
28	2	YNNY08005	NUT HEX, NYLON LOCKNUT, 1/4 G2
29	14	YNFG10005	NUT FLANGE, 5/16 GF

FIGURE 24 **3' FOLDING EXTENSION OPTION**

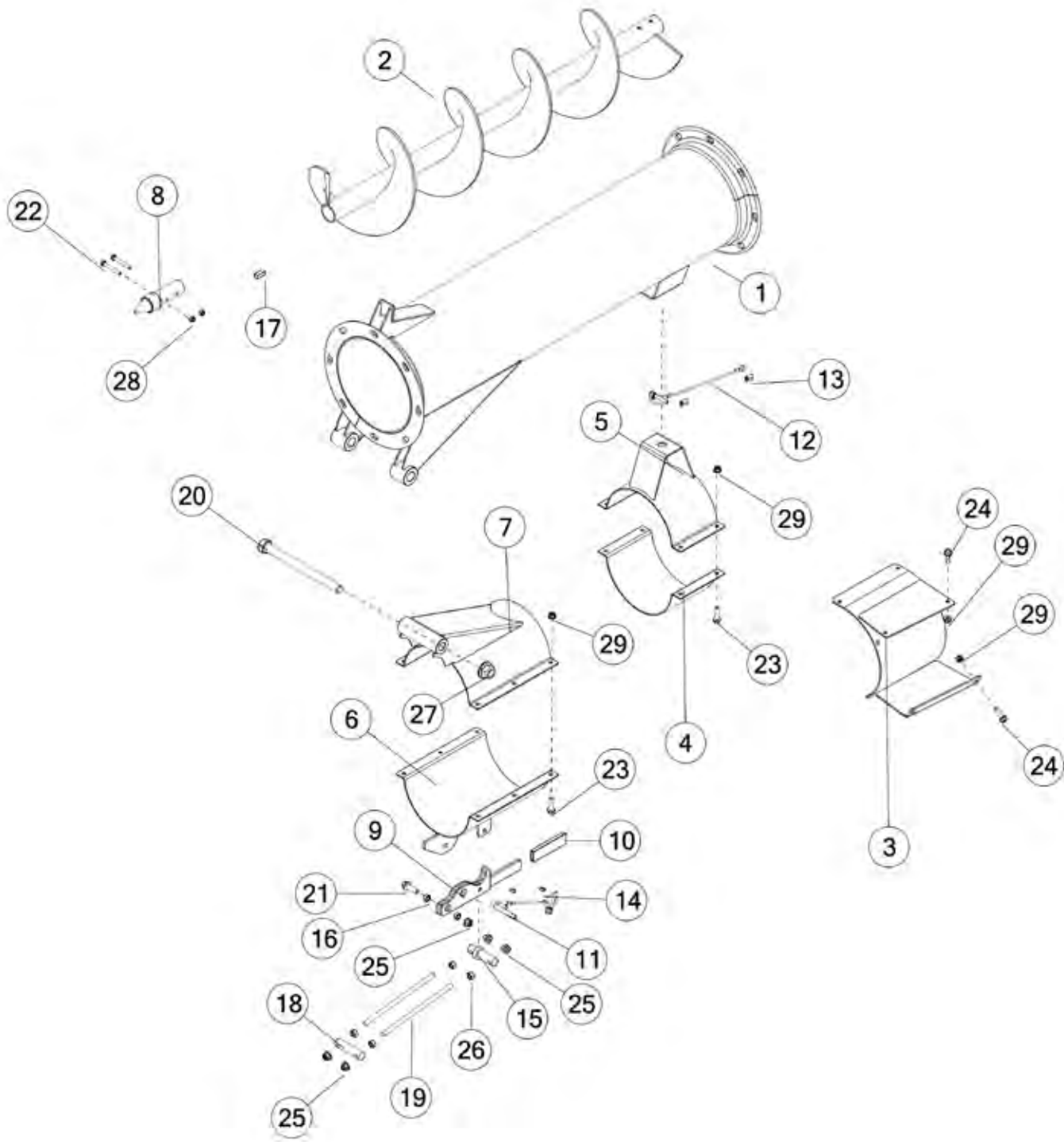


FIGURE 24

3' FOLDING EXTENSION OPTION

<u>ITEM</u>	<u>QTY</u>	<u>PART#</u>	<u>DESCRIPTION</u>
1	1	GM279	3 FT EXTENSION HOUSING
2	1	GM530	3 FT EXTENSION AUGER (CUPPED FLIGHTING)
3	1	GM514	CRADLE EXTENSION
4	1	GM289	TRANSPORT LOCK CLAMP
5	1	GM290	TRANSPORT LOCK LATCH
6	1	GM284	LATCH CLAMP
7	1	GM283	PIVOT CLAMP
8	1	GM282	AUGER CONNECT SHAFT
9	1	GM285	LATCH HANDLE
10	1	GM370	HANDLE GRIP
11	1	GM573	LATCH PIN W/CLIP PIN & LANYARD
12	1	S122	LYNCH PIN W/CABLE
13	2	71279	SLEEVE
14	2	ES15	CABLE CLAMP, 1/8
15	1	GM369	LATCH PIVOT PIN
16	2	GM180	DOOR PIVOT
17	1	50N140	SQUARE KEY, 3/8 X 1
18	1	GM286	LATCH PIVOT SHAFT
19	2	GM287	LATCH ROD
20	1	YBHH24120	BOLT HEX, 3/4-10 X 9 G5 ZC
21	1	YBFB12125	BOLT FLANGE, 3/8 X 1-1/4 G5
22	2	YBHH08045	BOLT HEX, 1/4 X 2 G5
23	10	YBFB10125	BOLT FLANGE, 5/16 X 1-1/4 G5
24	4	YBFB10001	BOLT FLANGE, 5/16 X 1 G5
25	5	YNFG12006	NUT FLANGE, 3/8 GF
26	4	YNHX12004	NUT HEX, 3/8 G2
27	1	YNFG24006	NUT FLANGE, TOPLOCK 3/4 GG
28	2	YNNY08005	NUT HEX, NYLON LOCKNUT, 1/4 G2
29	14	YNFG10005	NUT FLANGE, 5/16 GF

FIGURE 25 **REAR SUPPLEMENT HOPPER OPTION**

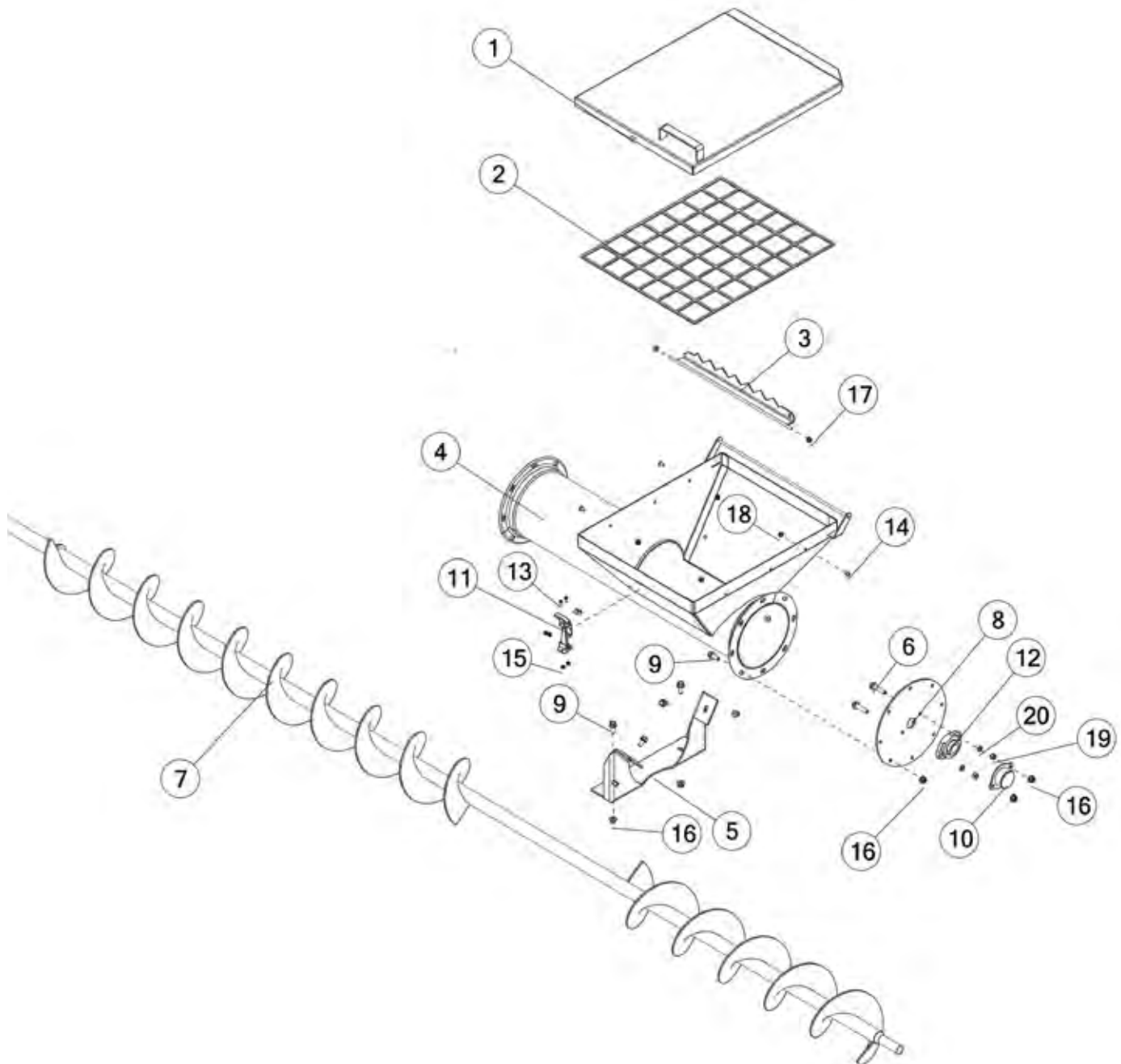


FIGURE 25

REAR SUPPLEMENT HOPPER OPTION

<u>ITEM</u>	<u>QTY</u>	<u>PART#</u>	<u>DESCRIPTION</u>
1	1	85805	HOPPER COVER, REAR
2	1	85422	STL PANEL, SCREEN
3	1	85435	BREAKER, ANGLE
4	1	85815	FEED TANK
5	1	85390	HOPPER BRKT, REAR
6	2	YBFB12175	BOLT FLANGE, 3/8 X 1-3/4 G5
7	1	89995	AUGER ASSY, TRANSFER
8	1	78254	AUGER COVER
9	12	YBFB12003	BOLT FLANGE, 3/8 X 1 G5
10	1	89622	BEARING FLANGE GUARD
11	1	X233	079-0101 LATCH ASSEMBLY
12	1	T40	BEARING, 2 BOLT, 1 BORE W/COLLAR
13	4	YSPP64005	MISC, PHILLIPS PAN HEAD TYPE, 10-32 X 1/2
14	4	YSTP08005	TRUSS HEAD PHILLIPS MACH. SCREW, 1/4-20 X 1/2
15	4	YNNY64006	NUT HEX, 10-32 SS
16	14	YNFG12006	NUT FLANGE, 3/8 GF
17	2	YNFG08005	NUT FLANGE, 1/4-20 LKTL F ZC
18	4	YNFG08010	NUT FLANGE, 1/4 GF
19	2	YNHX12005	NUT HEX, 3/8
20	2	YWLO12005	WASHER LOCK, 3/8

FIGURE 26 2500 SCALE OPTION

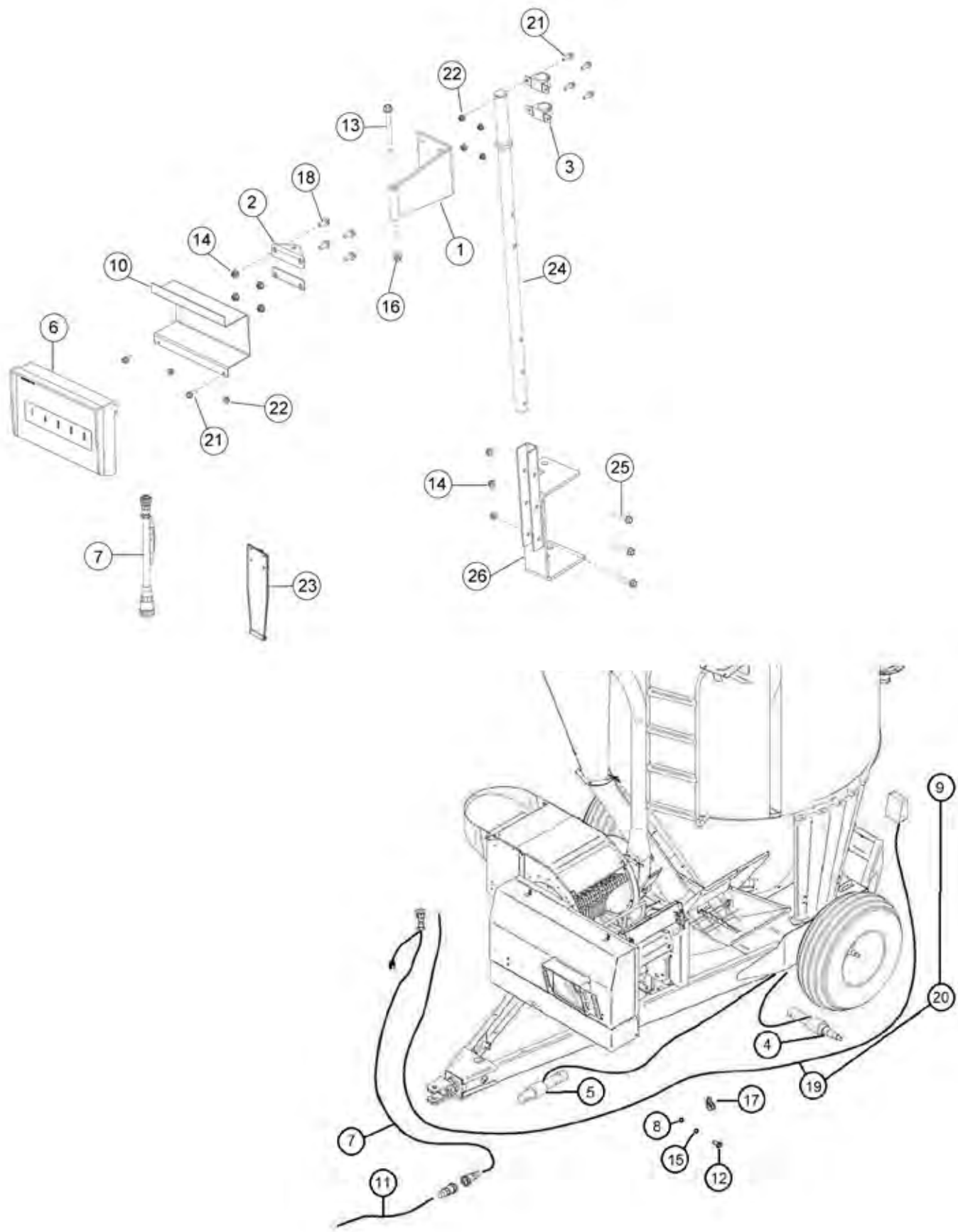


FIGURE 26

2500 SCALE OPTION

<u>ITEM</u>	<u>QTY</u>	<u>PART#</u>	<u>DESCRIPTION</u>
1	1	85110	SCALE BRACKET
2	2	GM401	SCALE BRACKET
3	2	92900	TUBE CLAMP
4	2	GM402	SPINDLE LOAD CELL
5	1	GM403	HITCH LOAD CELL
6	1	GM404	SCALE DISPLAY
7	1	77616	ELECTRIC HARNESS, POWER
8	1	YNHX08005	NUT HEX, 1/4
9	1	GM407	JUNCTION BOX
10	1	GM408	SCALE HANGER BRACKET
11	1	16SV269	TRACTOR CONTROL CORD
12	1	YBHH08100	BOLT HEX, 1/4
13	1	YBFB12400	BOLT FLANGE, 3/8 X 4 G5
14	7	YNFG10005	NUT FLANGE, 5/16
15	1	YWLO08005	WASHER LOCK, 1/4
16	1	YNFG12006	NUT FLANGE, 3/8
17	1	HGV162	RUBBER WIRE HOLDER, 1/2
18	4	YBFB10075	BOLT FLANGE, 5/16 X 3/4 G5
19	1	GM406	JUNCTION BOX CORD
20	1	77617	JUNCTION BOX KIT, INCLUDES ITEM 9 & 19
21	6	YBFB08075	BOLT FLANGE, 1/4 X 3/4 G5
22	6	YNFG08010	NUT FLANGE, 1/4
23	1	90847	SCALE BRACKET
24	1	85120	SCALE BRACKET, POST
25	1	YBFB10175	BOLT FLANGE, 5/16 X 1-3/4 G5
26	1	85125	SCALE BRACKET

FIGURE 27 3410 SCALE OPTION

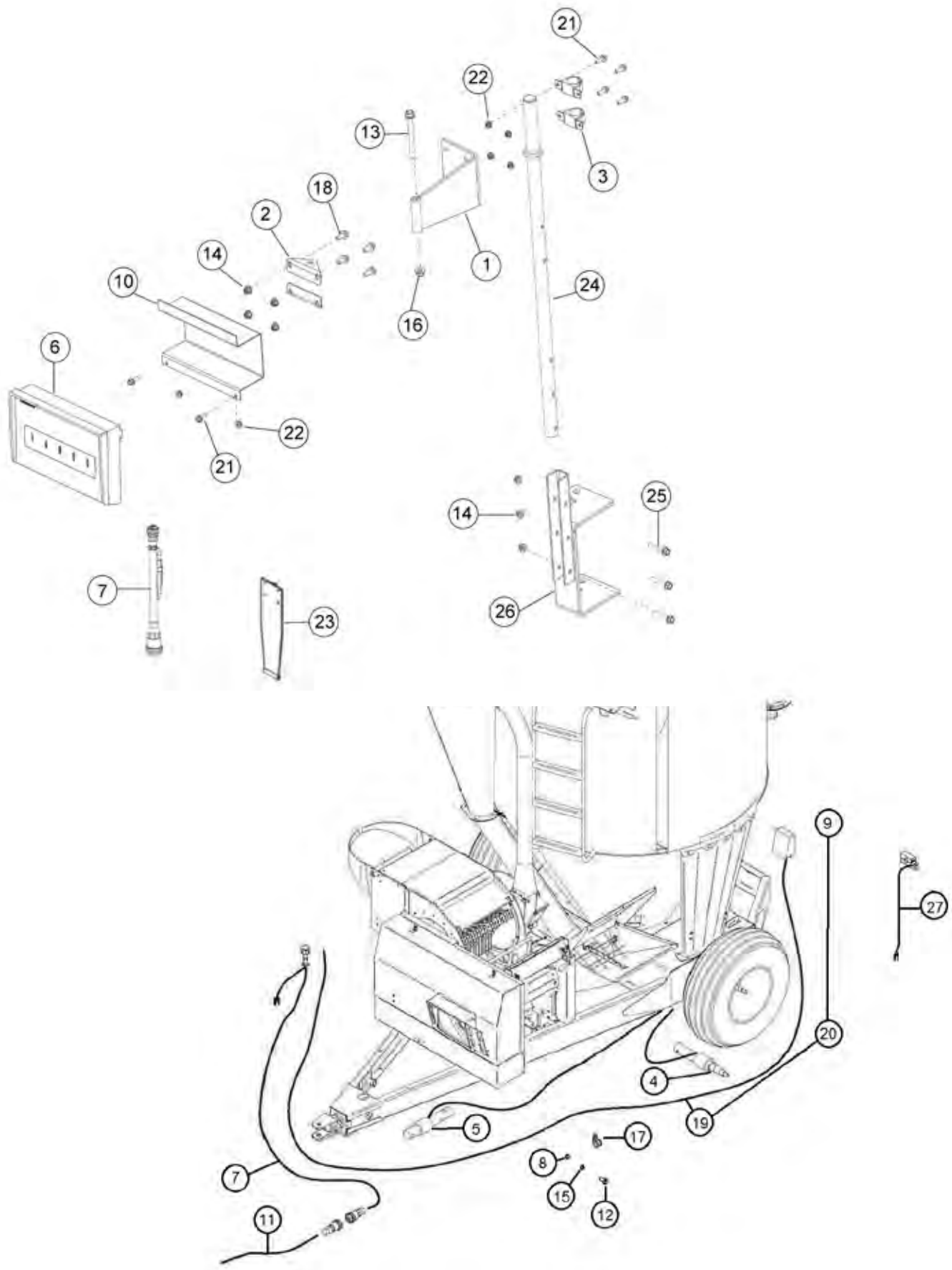


FIGURE 27

3410 SCALE OPTION

<u>ITEM</u>	<u>QTY</u>	<u>PART#</u>	<u>DESCRIPTION</u>
1	1	85110	SCALE BRACKET
2	2	GM401	SCALE BRACKET
3	2	92900	TUBE CLAMP
4	2	GM402	SPINDLE LOAD CELL
5	1	GM403	HITCH LOAD CELL
6	1	GM466	SCALE DISPLAY
7	1	77616	ELECTRIC HARNESS, POWER
8	1	YNHX08005	NUT HEX, 1/4
9	1	GM407	JUNCTION BOX
10	1	GM408	SCALE HANGER BRACKET
11	1	16SV269	TRACTOR CONTROL CORD
12	1	YBHH08100	BOLT HEX, 1/4
13	1	YBFB12400	BOLT FLANGE, 3/8 X 4 G5
14	7	YNFG10005	NUT FLANGE, 5/16
15	1	YWLO08005	WASHER LOCK, 1/4
16	1	YNFG12006	NUT FLANGE, 3/8
17	1	HGV162	RUBBER WIRE HOLDER, 1/2
18	4	YBFB10075	BOLT FLANGE, 5/16 X 3/4 G5
19	1	GM406	JUNCTION BOX CORD
20	1	77617	JUNCTION BOX KIT, INCLUDES ITEM 9 & 19
21	6	YBFB08075	BOLT FLANGE, 1/4 X 3/4 G5
22	6	YNFG08010	NUT FLANGE, 1/4
23	1	90847	SCALE BRACKET
24	1	85120	SCALE BRACKET, POST
25	1	YBFB10175	BOLT FLANGE, 5/16 X 1-3/4 G5
26	1	85125	SCALE BRACKET
27	1	57399	HORN ALARM PACK/BRKT

FIGURE 28
GEARBOX

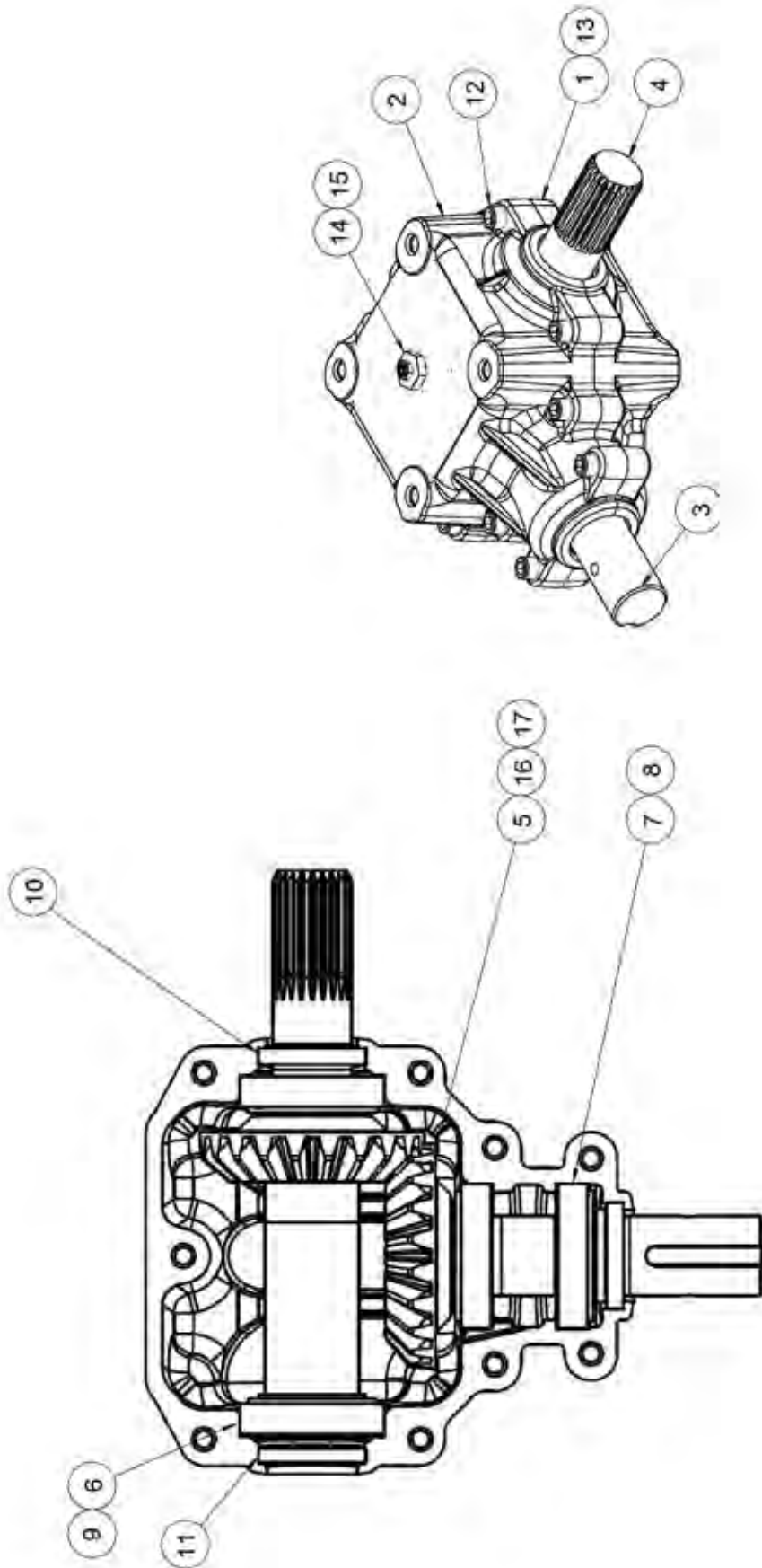


FIGURE 28 **GEARBOX**

<u>ITEM</u>	<u>QTY</u>	<u>PART#</u>	<u>DESCRIPTION</u>
1	1	18VB20	BOTTOM HOUSING
2	1	86140	TOP HOUSING
3	1	88893	SHAFT
4	1	88894	SHAFT
5	1	88895	GEAR
6	1	G53	BEARING CONE
7	1	88896	BEARING CONE
8	1	88897	BEARING CUP
9	1	18VB25	RACE
10	2	18VB34	SEAL
11	1	86150	SEAL
12	9	YSHS12008	BOLT SOCKET, 3/8 X 1-1/2 G8
13	1	HGV95	PLUG, 1/2 NPT
14	1	SD133	BUSHING, 1/2 TO 1/8
15	1	86156	PLUG VENT, 1/8
16	1	88898	SPACER
17	1	88899	KEY

FIGURE 29
LIGHTS

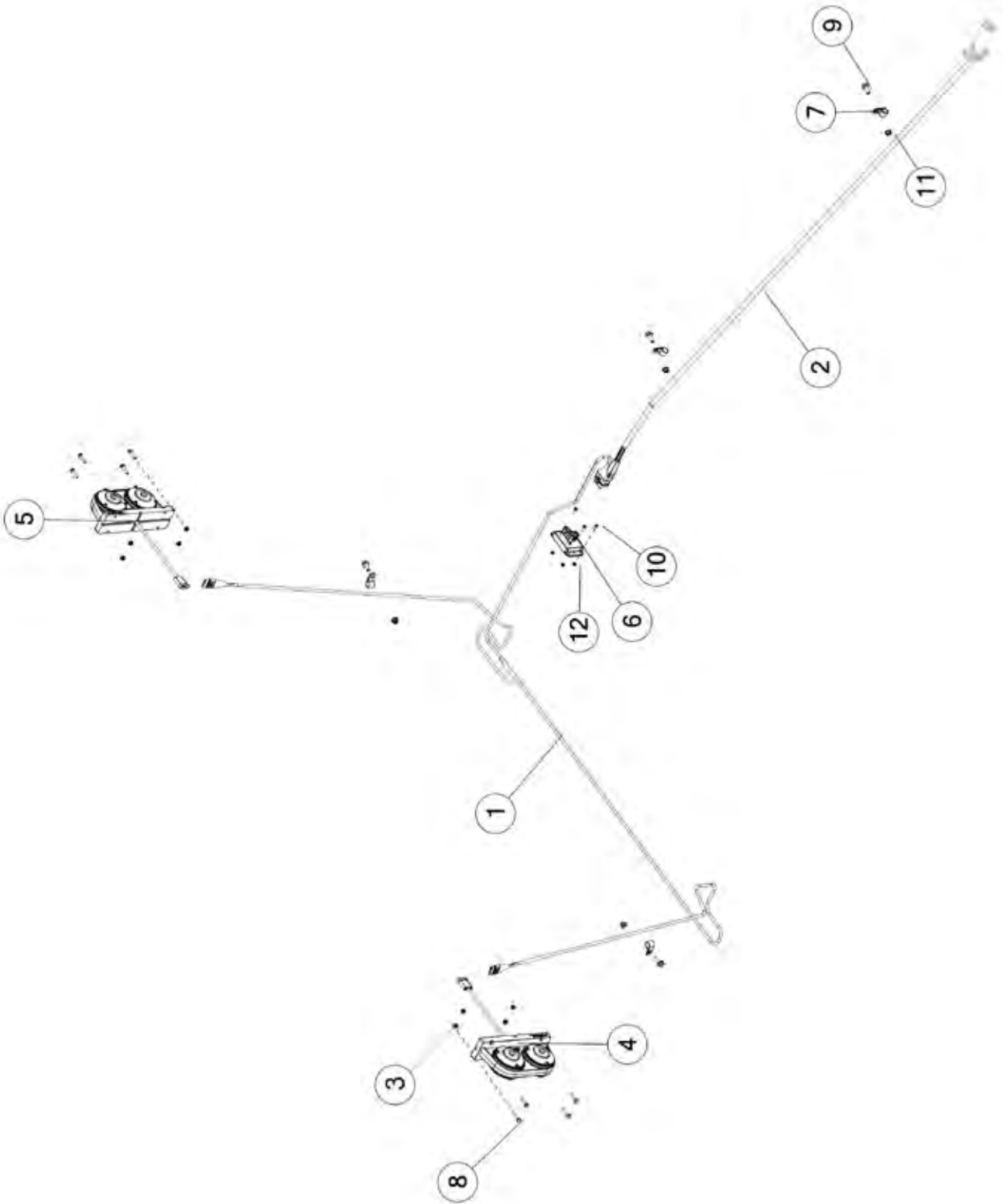


FIGURE 29 LIGHTS

<u>ITEM</u>	<u>QTY</u>	<u>PART#</u>	<u>DESCRIPTION</u>
1	1	84248	ELEC HARNESS, TAIL LIGHTS
2	1	89684	ELECTRIC HARNESS, LIGHT
3	8	YNFG08010	NUT FLANGE, 1/4 GF
4	1	77924	TAIL LIGHT ASSY, RH
5	1	77923	TAIL LIGHT ASSY, LH
6	1	69908	MODULE, CONTROL, BLINKER
7	4	HGV72	CUSHION WIRE CLAMP 3/4
8	8	YBHH08030	BOLT HEX, 1/4 X 1-1/4 G2
9	5	YBFB12003	BOLT FLANGE, 3/8 X 1 G5
10	3	YSPN64005	MACHINE PPHS, #10-24 X 5/8 ZINC
11	5	YNFG12006	NUT FLANGE, 3/8 GF
12	3	YNNY64005	NUT HEX, #10-24 LKNY G2 ZC

FIGURE 30
540 RPM PTO

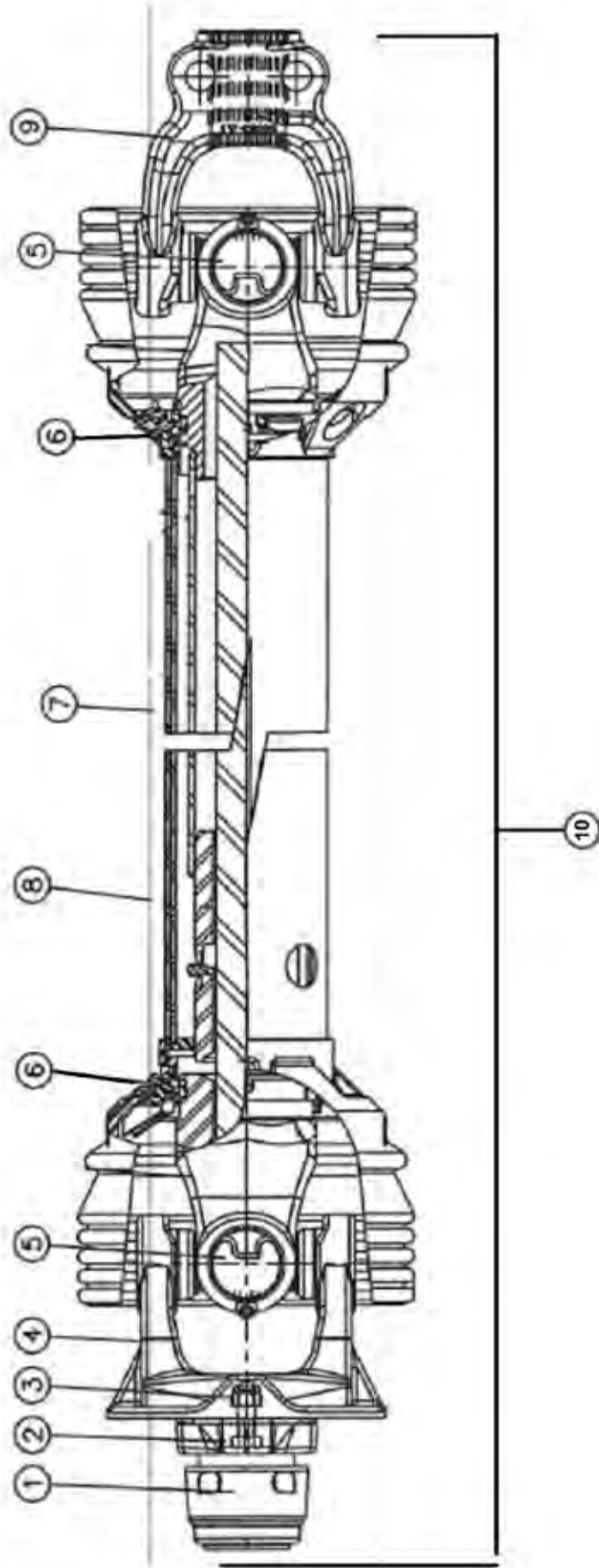


FIGURE 30
540 RPM PTO

<u>ITEM</u>	<u>QTY</u>	<u>PART#</u>	<u>DESCRIPTION</u>
1	1	16SV274	SAFETY SLIDE LOCK REPAIR KIT, 1-3/8
2	2	YBFB12003	BOLT FLANGE, 3/8 X 1 G5 ZC
3	2	YNFG12006	NUT FLANGE, 3/8 GF
4	1	92214	BALL SHEAR ASM.
5	2	63405	CROSS KIT, 55E
6	2	57972	GUARD REPAIR KIT
7	1	92218	OUTER GUARD
8	1	92219	INNER GUARD
9	1	92221	YOKE
10	1	86124	PTO, 540, 51.75

FIGURE 31
INTAKE AUGER OPTION RMOSIA

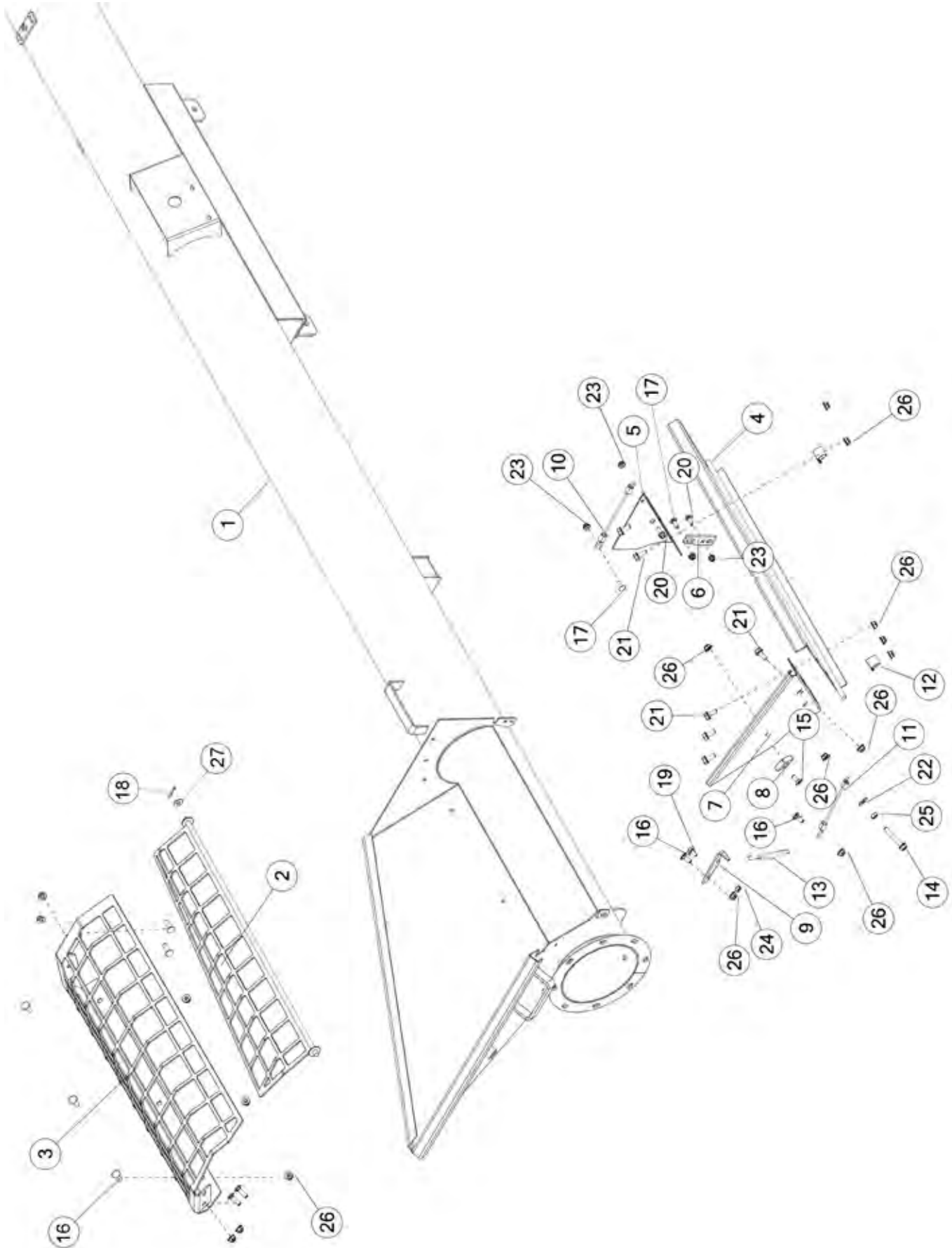


FIGURE 31

INTAKE AUGER OPTION RMOSIA

<u>ITEM</u>	<u>QTY</u>	<u>PART#</u>	<u>DESCRIPTION</u>
1	1	91014	INFEED AUGER
2	1	86493	HINGED GRATE
3	1	86500	AUGER GRATE, 8IN
4	1	86472	SIDE, 8 IN. AUGER
5	1	86476	TROUGH END PANEL
6	1	86575	HINGE BRACKET, INFEED
7	1	86471	TROUGH END PANEL
8	1	0161PL01	POLY BUMPER
9	1	GM188	TROUGH LATCH
10	2	P-MS-16	LANYARD, 10 INCH CABLE
11	4	71279	SLEEVE
12	2	HGV72	WIRE CLAMP, 3/4
13	1	GM208	LATCH SPRING
14	1	YBFB10350	BOLT FLANGE, 5/16 X 3-1/2 G8
15	1	YSFS10001	BOLT FLAT SOK, 5/16-18 X 3/4 ZC
16	9	YBCR10030	BOLT CARRIAGE, 5/16 X 3/4 G5
17	3	YBCR08040	BOLT CARRIAGE, 1/4 X 3/4 G5
18	1	YPCT06002	COTTER PIN, 3/16 X 1
19	1	YSOV10005	SCREW, OVAL HEAD, .31 - 18 X 3/4 18-8 SS
20	2	YBFB08075	BOLT FLANGE, 1/4 X 3/4 G5
21	4	YBFB10075	BOLT FLANGE, 5/16 X 3/4 G5
22	1	YWFL10005	WASHER LOCK, 3/8
23	4	YNFG08010	NUT FLANGE , 1/4 GF
24	1	YNNY08005	NUT HEX, NYLON LOCKNUT, 1/4 G2
25	1	YNHX10010	NUT HEX, 5/16 G5
26	17	YNFG10005	NUT FLANGE, 5/16 GF
27	1	YWFL12005	WASHER FLAT, 3/8 G5

FIGURE 32
INTAKE AUGER OPTION RMOSIA

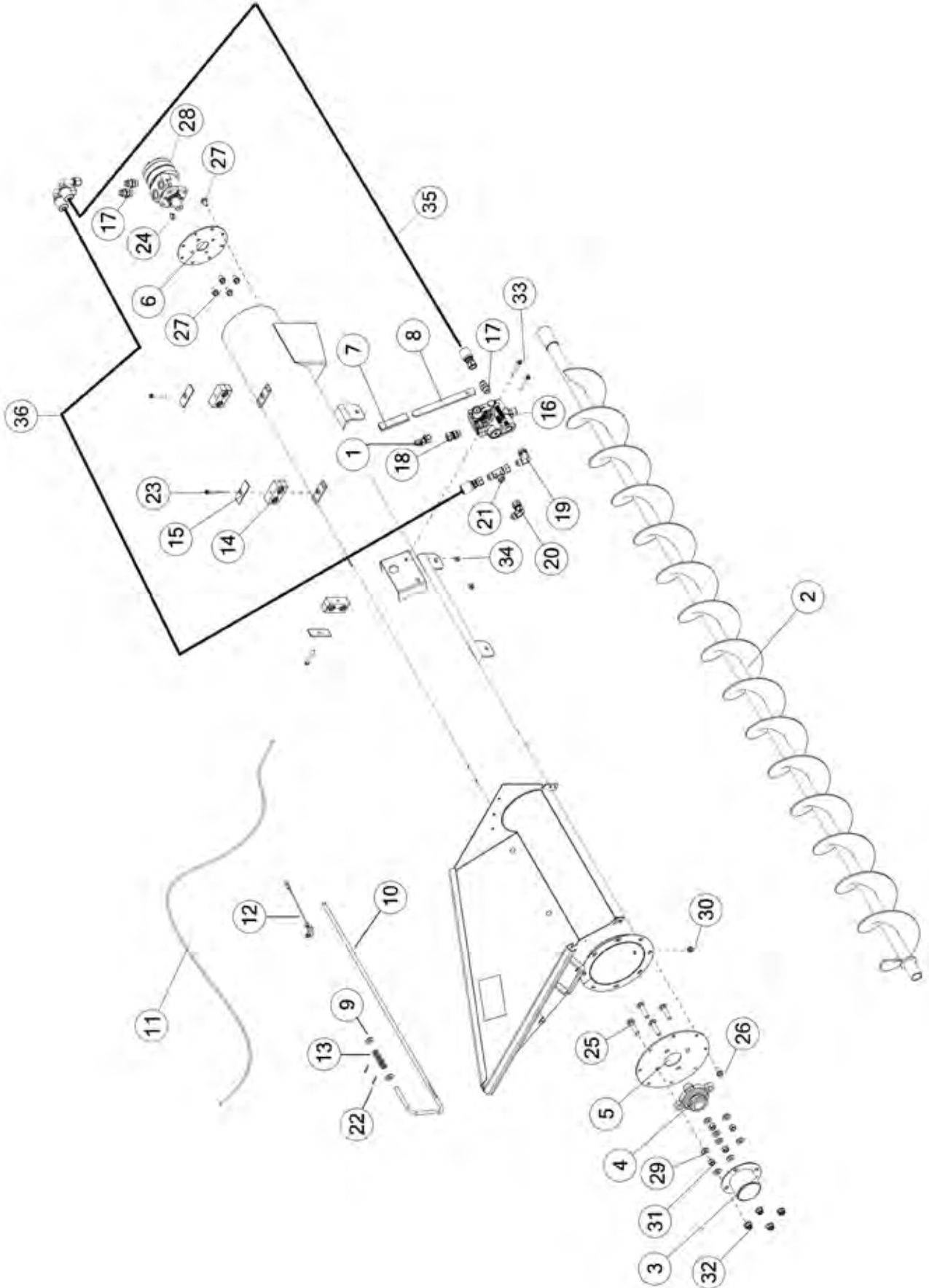


FIGURE 32

INTAKE AUGER OPTION RMOSIA

<u>ITEM</u>	<u>QTY</u>	<u>PART#</u>	<u>DESCRIPTION</u>
1	1	92905	FITTING 45, 10JIC, 10JIC
2	1	91110	8 IN. INFEED AUGER, ASSY
3	1	89611	BEARING FLANGE GUARD
4	1	78670	BALL BEARING, 1.50
5	1	85629	AUGER DRIVE CAP
6	1	GM245	AUGER INNER DRIVE CAP
7	1	GM370	HANDLE GRIP
8	1	89976	HANDLE BRACKET
9	2	YWFL16005	WASHER FLAT, 1/2
10	1	91105	HANDLE LATCH
11	1	GM434	TRIP ROPE
12	1	GM572	LANYARD, CLIP PIN CABLE
13	1	17G128	COIL SPRING
14	3	86579	HOSE CLAMP, DOUBLE, 5/8"
15	3	86581	T4 HOSE CLAMP COVER
16	1	GM20	FLOW CONTROL
17	1	GM57	FITTING, ST, 10JIC, 10ORB, STL
18	1	84907	FITTING ST, 5/8 JIC, 10 ORB
19	1	GM56	FITTING, 90, 10JIC X 10ORB
20	1	83997	FITTING 90, 10 JIC, 10 JIC
21	1	GM55	FITTING, TEE, 10JIC X 10JIC X 10JIC
22	2	YPCT06002	COTTER PIN, 3/16 X 1
23	3	YBFB10225	BOLT FLANGE, 5/16 X 2-1/4 G5
24	1	5B10	WOODRUF KEY, 1/4 X 1
25	4	YBCR16023	BOLT CARRIAGE, 1/2-13 X 2-1/4 G5 ZC
26	8	YBFB12003	BOLT FLANGE, 3/8 X 1 G5
27	4	YBFB12075	BOLT FLANGE, 3/8 X 3/4 G5
28	1	78105	HYDRAULIC MOTOR, 7.3CI
29	8	YWFL16010	WASHER FLAT, SAE 1/2
30	8	YNFG12006	NUT FLANGE, 3/8 GF
31	4	YNHX16005	NUT HEX, 1/2-13 NAA ZC
32	4	YNFG16003	NUT FLANGE, 1/2 GF
33	2	YBFB08250	BOLT FLANGE. 1//4 X 2-1/2
34	2	YNFG08010	NUT FLANGE, 1/4
35	1	91113	HYDRAULIC HOSE, 10, 66 1/2
36	1	91114	HYDRAULIC HOSE, 10, 76 1/2

FIGURE 33 INTAKE AUGER OPTION RMOSIA

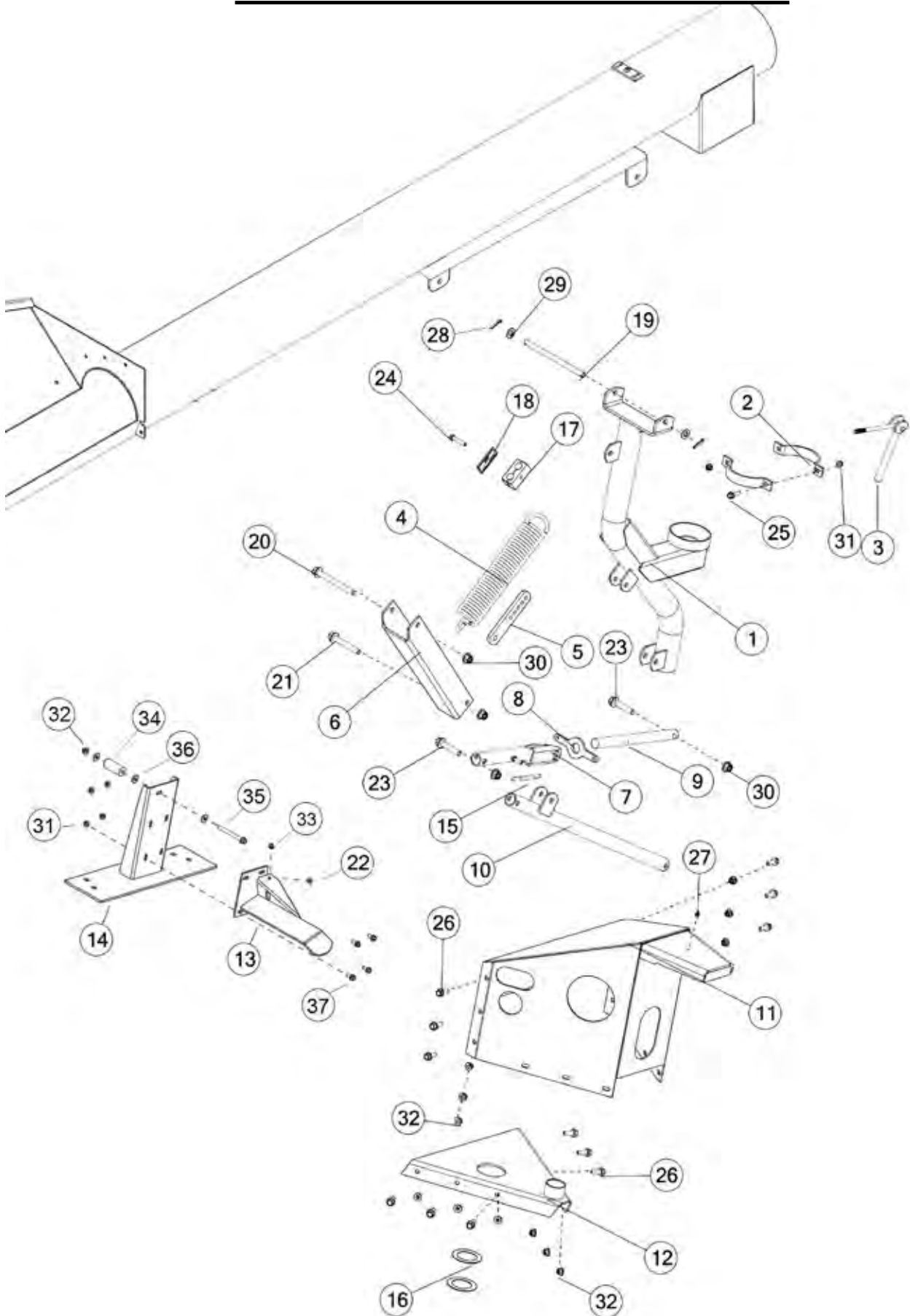


FIGURE 33

INTAKE AUGER OPTION RMOSIA

<u>ITEM</u>	<u>QTY</u>	<u>PART#</u>	<u>DESCRIPTION</u>
1	1	GM212	TUBE TROUGH PIVOT
2	2	GM213	BRAKE BAND
3	1	GM217	TIGHTENER ASSY
4	1	GM204	SPRING
5	1	GM206	SPRING ADJUSTMENT
6	1	GM203	SEGMENT LIFT SUPPORT
7	1	GM209	TUBE LIFT ASSY
8	2	GM210	AUGER LIFT LOCK
9	1	GM211	SHAFT LIFT
10	1	GM207	PIVOT LINKAGE
11	1	90998	PIVOT SUPPORT TOP
12	1	91003	SUPPORT PIVOT LOWER
13	1	90693	INFEED SUPPORT BRACKET
14	1	86568	VERTICAL SUPPORT
15	1	GM208	LATCH SPRING
16	2	GM219	PIVOT WASHER
17	2	86579	HOSE CLAMP, DOUBLE, 5/8 (SET OF 2)
18	1	86581	HOSE CLAMP COVER
19	1	GM458	PIVOT PIN (065461)
20	1	YBFB16500	BOLT FLANGE, 1/2 X 5 G5
21	1	YBFB16400	BOLT FLANGE, 1/2 X 4 G5
22	1	YBFB08075	BOLT FLANGE, 1/4 X 3/4 G5
23	2	YBFB16250	BOLT FLANGE, 1/2 X 2-1/2 G5
24	1	YBFB10225	BOLT FLANGE, 5/16 X 2-1/4 G5
25	2	YBFB10125	BOLT FLANGE, 5/16 X 1-1/4 G5
26	11	YBFB12003	BOLT FLANGE, 3/8 X 1 G5
27	1	RG51	ZERK, 90 DEGREE 1/4-28
28	2	YPCT06002	COTTER PIN, 3/16 X 1
29	2	YWFL16010	WASHER FLAT, SAE 1/2
30	4	YNFG16003	NUT FLANGE, 1/2 GF
31	4	YNFG10005	NUT FLANGE, 5/16 GF
32	11	YNFG12006	NUT FLANGE, 3/8 GF
33	1	YNFG08010	NUT FLANGE, 1/4 GF
34	1	90244	CYLINDER SPACER
35	1	YBFB12400	BOLT FLANGE, 3/8 X 4
36	3	YWFL12005	FLAT WASHER, 3/8
37	5	YBFB10075	BOLT FLANGE, 5/16 X 3/4

ROLLER MILL

CONTENTS

Figure 1 - Top Hopper	72-73
Figure 2 - Top Hopper (Knob)	74-75
Figure 3 - Roller Mill Upper Half	76-77
Figure 4 - Worm Drive Roll Adjustment	78-79
Figure 5 - Roll Drive Rear	80-81
Figure 6 - Feed Auger Assembly	82-83
Figure 7 - Crank Assembly	84-85
Figure 8 - Feed Auger Hydraulics	86-87
Figure 9 - Roll Bushing Assembly B-Loc Bushing	88-89

FIGURE 1 TOP HOPPER

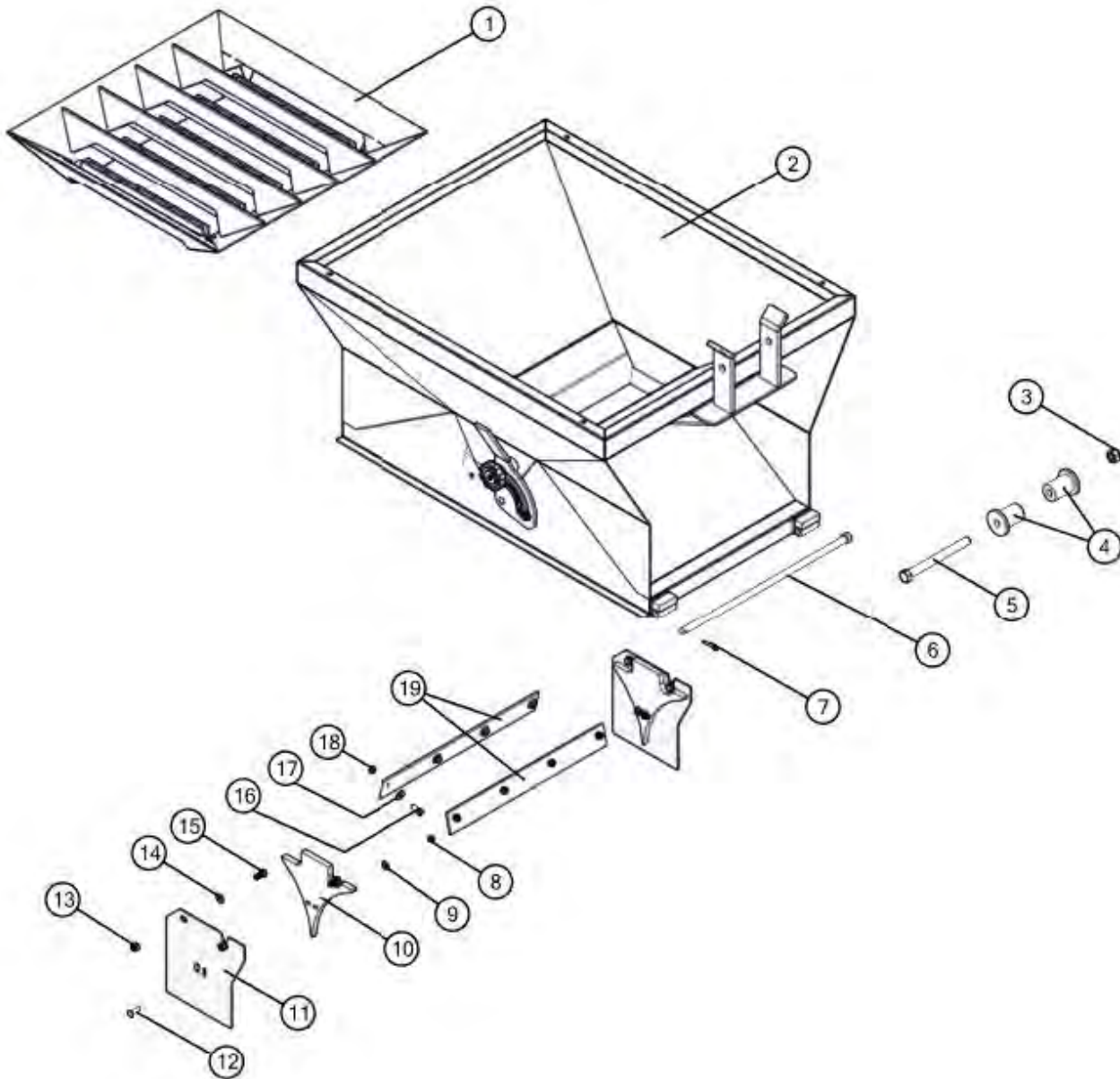


FIGURE 1 TOP HOPPER

<u>ITEM</u>	<u>QTY</u>	<u>PART#</u>	<u>DESCRIPTION</u>
1	1	RN6118000003	GRATE MAGNET - 12" ROLLER MILL
2	1	RN6118000507	18" TOP HOPPER WELDMENT - 2020
3	1	YNNY20005	NYLOC NUT - 5/8" NC GR.5 PL
4	2	RN4130000580	GUIDE ROLLER - FEED AUGER
5	1	YBHH20105	HEX BOLT 5/8" X 7" GR.5 PL
6	1	RN6118000007	HINGE PIN
7	1	YPCT05010	COTTER PIN - 3/16" X 1"
8	4	YNNY08005	NYLOC NUT - 1/4" NC GR.5 PL
9	4	YWFL08005	FLAT WASHER - 1/4" USS PL
10	2	RN1471000287	UHMW WEAR PLATE INSERT - 8"
11	2	RN4140000872	WEAR PLATE - 8" FRAME - SHELL CAST ROLLS - MILLS
12	4	YBCR08005	CARRIAGE BOLT - 1/4" NC X 1" GR.5 PL
13	4	YNNY12005	NYLOC NUT - 3/8" NC GR.5 PL
14	4	YWFL12010	FLAT WASHER - 3/8" SAE
15	4	YBHH12135	HEX BOLT - 3/8" NC X 3/4" GR.5 PL
16	8	YBHH10105	HEX BOLT - 5/16" NC X 3/4" GR.5 PL
17	8	YWFL10005	FLAT WASHER - 5/16" USS PL
18	8	YNNY10005	NYLOC NUT - 5/16" NC GR.5 PL
19	2	RN4118000514	BELT - GRAIN CONTAINMENT - TOP HOPPER

FIGURE 2
TOP HOPPER (KNOB)

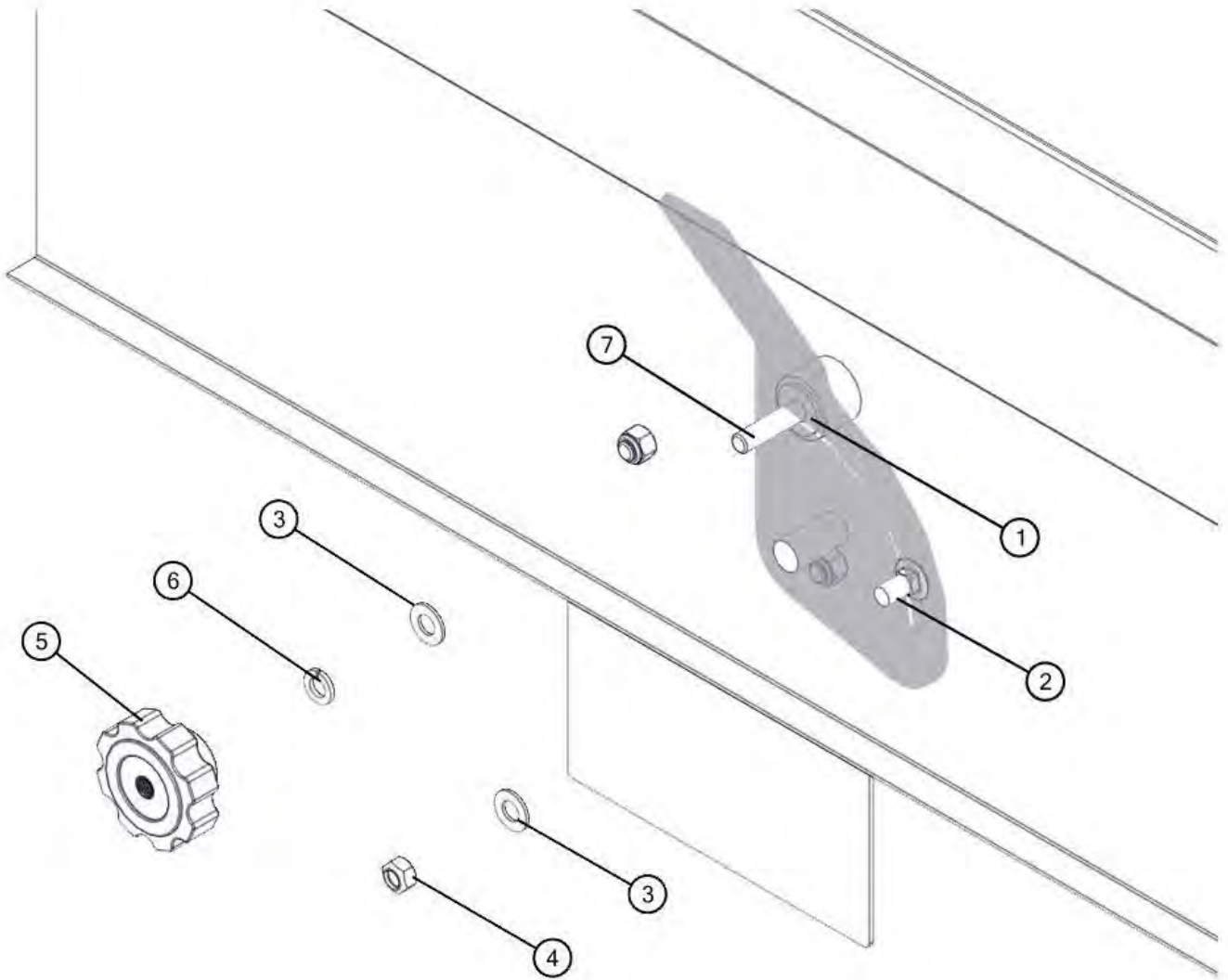


FIGURE 2
TOP HOPPER (KNOB)

<u>ITEM</u>	<u>QTY</u>	<u>PART#</u>	<u>DESCRIPTION</u>
1	1	YWFL12005	FLAT WASHER - 3/8" USS PL
2	1	YBCR12065	CARRIAGE BOLT 3/8" NC X 3/4" GR.5 PL
3	2	YWFL12010	FLAT WASHER - 3/8" SAE
4	1	YNL12005	LOCK NUT - 3/8" NC
5	1	RN1400000224	LOCK KNOB
6	1	YWLO12010	LOCK WASHER - 3/8" PL
7	1	YBHH12090	HEX BOLT - 3/8" NC X 2-1/2" GR.5 PL

FIGURE 3 ROLLER MILL UPPER HALF

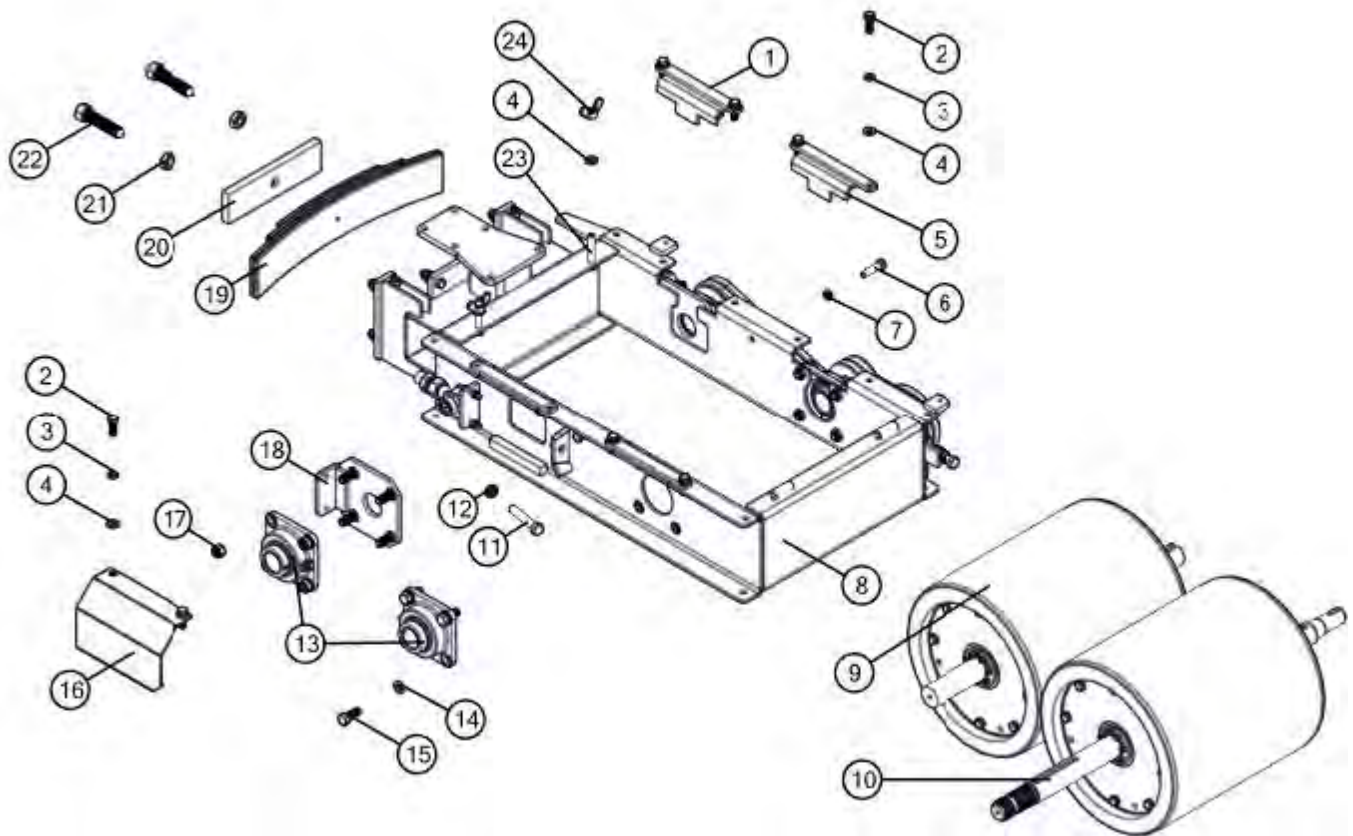


FIGURE 3

ROLLER MILL UPPER HALF

<u>ITEM</u>	<u>QTY</u>	<u>PART#</u>	<u>DESCRIPTION</u>
1	2	RN6124000541	MAIN FRAME INSERT
2	8	YBHH16030	HEX BOLT - 1/2" NC X 1-1/2" GR.5 PL
3	8	YWLO16010	LOCK WASHER - 1/2" PL
4	10	YWFL16015	FLAT WASHER - 1/2" SAE PLTD
5	2	RN6140000182	MAIN FRAME INSERT
6	2	RN1596000420	HEX BOLT - FULL THREAD - 1/2" NC X 2" GR.5 PL
7	2	YNJM16005	JAM NUT - 1/2" NC GR.5 PL
8	1	RN6151000804	18" MILL FRAME WELDMENT
9	1	RN7118000510	18" IDLER ROLL B-LOC - 1 15/16"
10	1	RN7118000527	18" DRIVE ROLL B-LOC 1 15/16" - H&S 2019
11	2	YBHH20056	HEX BOLT - FULL THREAD - 5/8" NC X 3-1/2" GR.5 PL
12	2	YNJM20005	JAM NUT - 5/8" NC GR.5 PL
13	4	RN1140000019	1-15/16" - 4 BOLT FLANGE BEARING
14	8	YWLO20010	LOCK WASHER - 5/8" PL
15	8	YBHH20010	HEX BOLT - 5/8" NC X 1-1/2" GR.5 PL
16	1	RN4140000664	BEARING SHIELD
17	8	YNNY20005	NYLOC NUT - 5/8" NC GR.5 PL
18	2	RN6150000695	BEARING SLIDE - BOLTED HEAD 8" FRAME
19	1	RN3031000025	LEAF SPRING
20	1	RN4140000062	SPRING PUSH PLATE
21	2	RN1670000693	JAM NUT - 7/8" NC GR.5 PL
22	2	RN6140000328	SPRING ADJUSTMENT SCREW - 7/8" NC
23	2	YBHH16105	HEX BOLT - 1/2" NC X 3" GR.5 PL
24	2	RN1671000995	WING NUT 1/2" NC

FIGURE 4 **WORM DRIVE ROLL ADJUSTMENT**

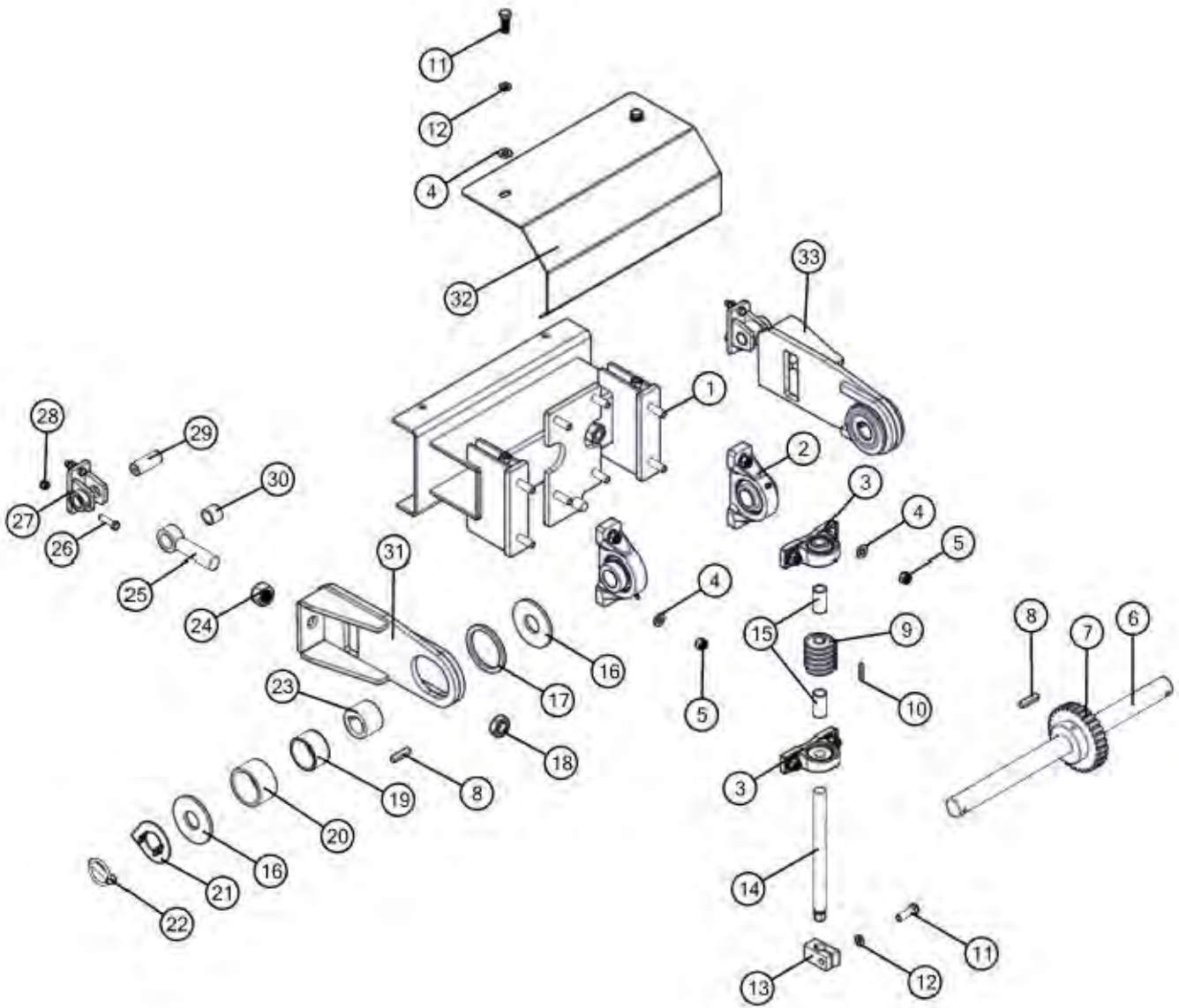


FIGURE 4

WORM DRIVE ROLL ADJUSTMENT

<u>ITEM</u>	<u>QTY</u>	<u>PART#</u>	<u>DESCRIPTION</u>
1	8	YBHH16065	HEX BOLT - 1/2" NC X 2" GR.5 PL
2	2	RN1140000008	1-1/2" BEARING - PILLOW BLOCK
3	2	RN1139000914	7/8" BEARING - PILLOW BLOCK
4	10	YWFL16015	FLAT WASHER - 1/2" SAE PLTD
5	8	YNNY16005	NYLOC NUT - 1/2" NC GR.5 PL
6	1	RN4151000801	CAM SHAFT - SPRING CAN ASSEMBLY - 18"
7	1	RN1210000630	WORM GEAR - 6DP - SINGLE START, 30 TOOTH, 1-1/2 " ID
8	3	RN4140000652	3/8" KEYSTOCK X 1-3/4"
9	1	RN1200000601	STEEL WORM 6DP SINGLE START RH 7/8" ID
10	1	RN4140000582	3/16"KEYSTOCK X 1-1/2"
11	3	YBHH16030	HEX BOLT - 1/2" NC X 1-1/2" GR.5 PL
12	3	YWLO16010	LOCK WASHER - 1/2" PL
13	1	RN4140000243	WORM WHEEL BRAKE
14	1	RN6151000361	WORM SHAFT - 7/8" X 11"-3/4"
15	2	RN4136000114	WORM GEAR SPACER
16	4	RN4151000361	CAPPING WASHER
17	2	RN4151000360	SPACING WASHER
18	2	YNJM32005	JAM NUT - 1" NF RH GR.5 BL
19	2	RN4151000217	OILITE BUSHING - 2-3/8" X 2-3/4" X 1-1/2"
20	2	RN4151000215	OILITE BUSHING - 2-3/4" X 3-1/4" X 1-3/4"
21	2	RN4831000707	CAM POSITION INDICATOR - 1-1/2"
22	2	RN1615000455	LYNCH PIN - 7/16" X 1-3/4"
23	2	RN4151000034	SPRING CAM HUB
24	2	YNHX32005	HEX NUT - 1" NF GR.5 BL RH
25	2	RN6151000304	ADJUSTER EYE ROD
26	4	YBHH12025	HEX BOLT - 3/8" NC X 1-1/2 GR.5 PL
27	2	RN6130000069	CLEVIS WELDMENT
28	4	YNNY12005	NYLOC NUT - 3/8" NC GR.5 PL
29	2	RN4140000239	CAM PIVOT PIN - 1" X 2-1/2"
30	2	RN1135000126	OILITE BUSHING - 1" X 1-1/4" X 1"
31	1	RN6151000220	PULL PLATE - LH
32	1	RN4151000802	SPRING CAM ADJUSTER SHIELD
33	1	RN6151000219	PULL PLATE - RH

FIGURE 5 ROLL DRIVE REAR

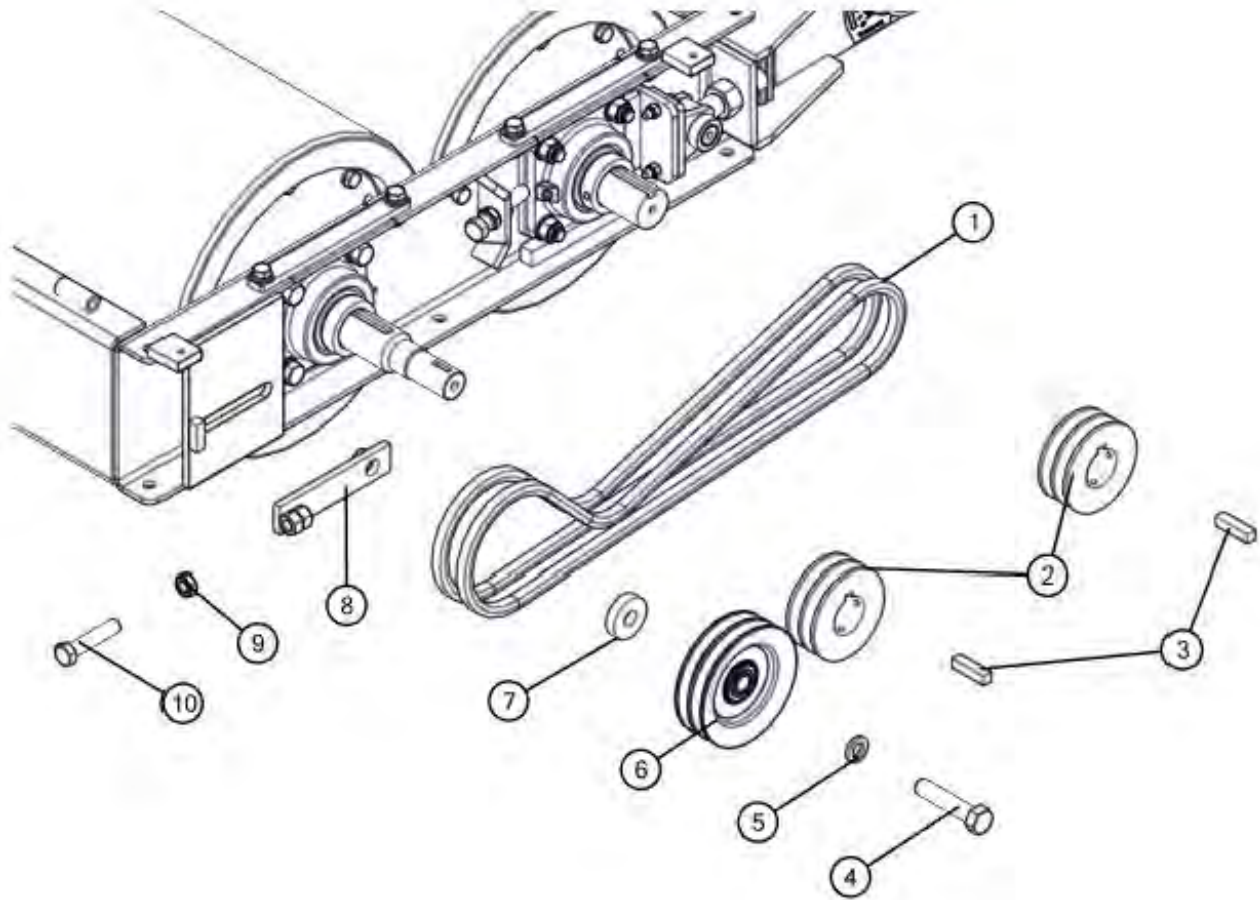


FIGURE 5
ROLL DRIVE REAR

<u>ITEM</u>	<u>QTY</u>	<u>PART#</u>	<u>DESCRIPTION</u>
1	2	RN1440000664	V-BELT - BB60
2	2	RN1240000005	PULLEY - 2 GROOVE 4-1/2" X 1-15/16"
3	2	BBS59	1/2" KEYSTOCK X 2" LONG
4	1	YBHH24055	HEX BOLT - 3/4" NC X 3-1/2" GR.5 PL
5	1	YWLO24015	LOCK WASHER - 3/4" NC PL
6	1	RN8140000022	IDLER PULLEY BRG ASS'Y
7	1	RN4140000812	WASHER
8	1	RN6140000505	REAR BELT TENSIONER WELDMENT
9	1	YNJM20005	JAM NUT - 5/8" NC GR.5 PL
10	1	RN1596000530	HEX BOLT - FULL THREAD - 5/8" NC X 3" GR.5 PL

FIGURE 6
FEEDER AUGER ASSEMBLY

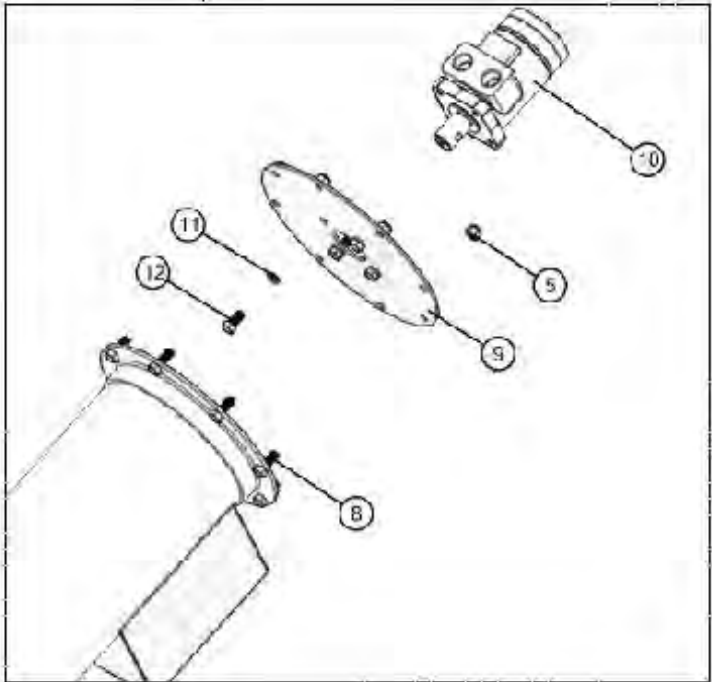
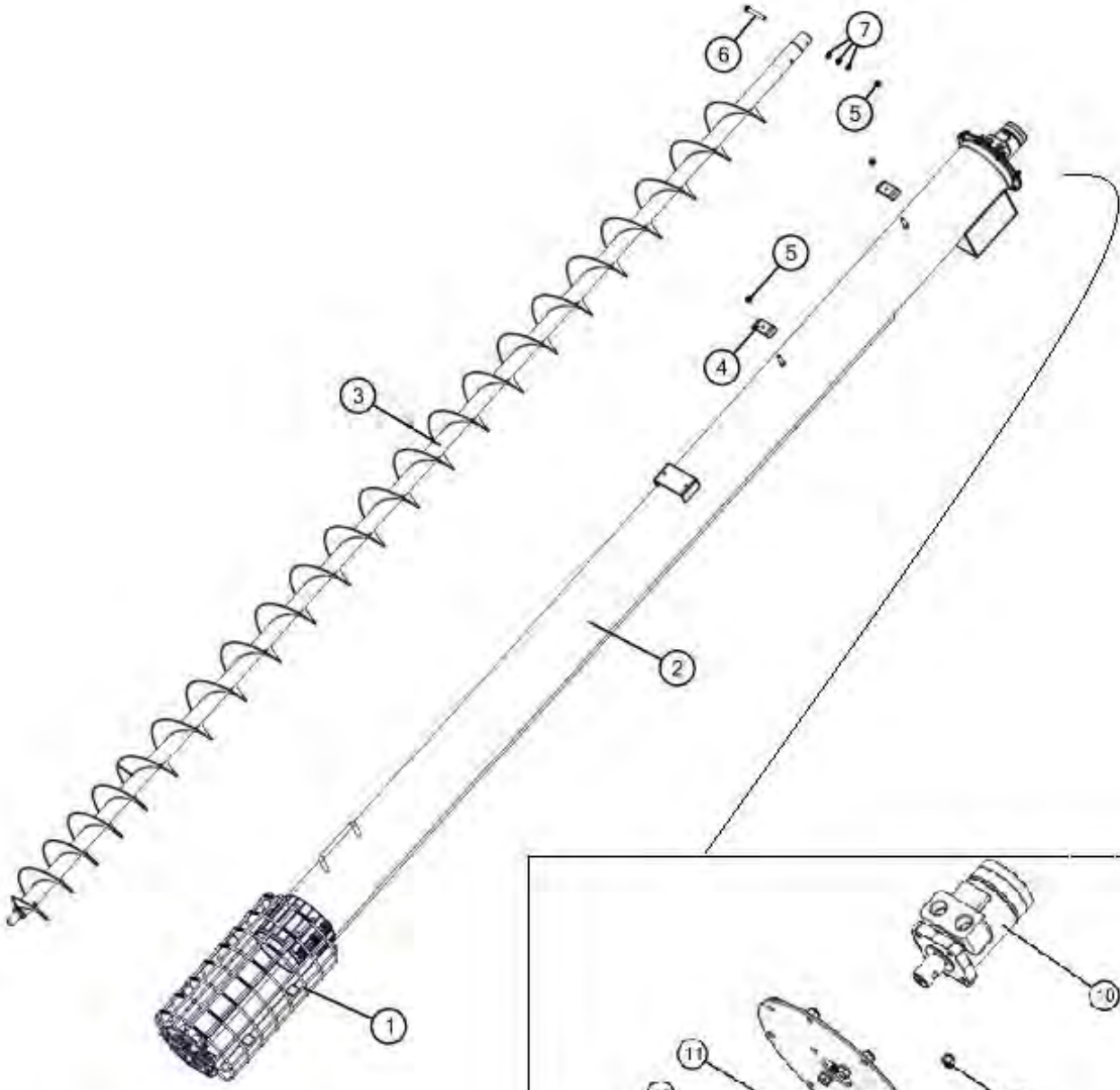


FIGURE 6

FEEDER AUGER ASSEMBLY

<u>ITEM</u>	<u>QTY</u>	<u>PART#</u>	<u>DESCRIPTION</u>
1	1	RN2750000008	IN-FEED AUGER SAFETY CAGE - 8"
2	1	RN6500000272	8" X 12' TELESCOPIC FEED AUGER TUBE WELDM'T
3	1	RN6500000271	8" X12' FEED AUGER WELD'T
4	2	RN4801000722	HOSE CLAMP
5	11	YNNY12005	NYLOC NUT - 3/8" NC GR.5 PL
6	1	YBHH12120	HEX BOLT - 3/8" NC X 3" GR.5 PL
7	3	YWFL12005	FLAT WASHER - 3/8" SAE
8	8	YBHH12010	HEX BOLT - 3/8" NC X 1" GR.5 PL
9	1	RN4713000193	AUGER ENDPLATE - 8"
10	1	RN1111000362	7.3 ORBITAL MOTOR EATON#101-1858-009
11	4	YWLO12010	LOCK WASHER - 3/8" PL
12	4	YBHH12135	HEX BOLT - 3/8" NC X 3/4" GR. 5 PL

FIGURE 7 CRANK ASSEMBLY

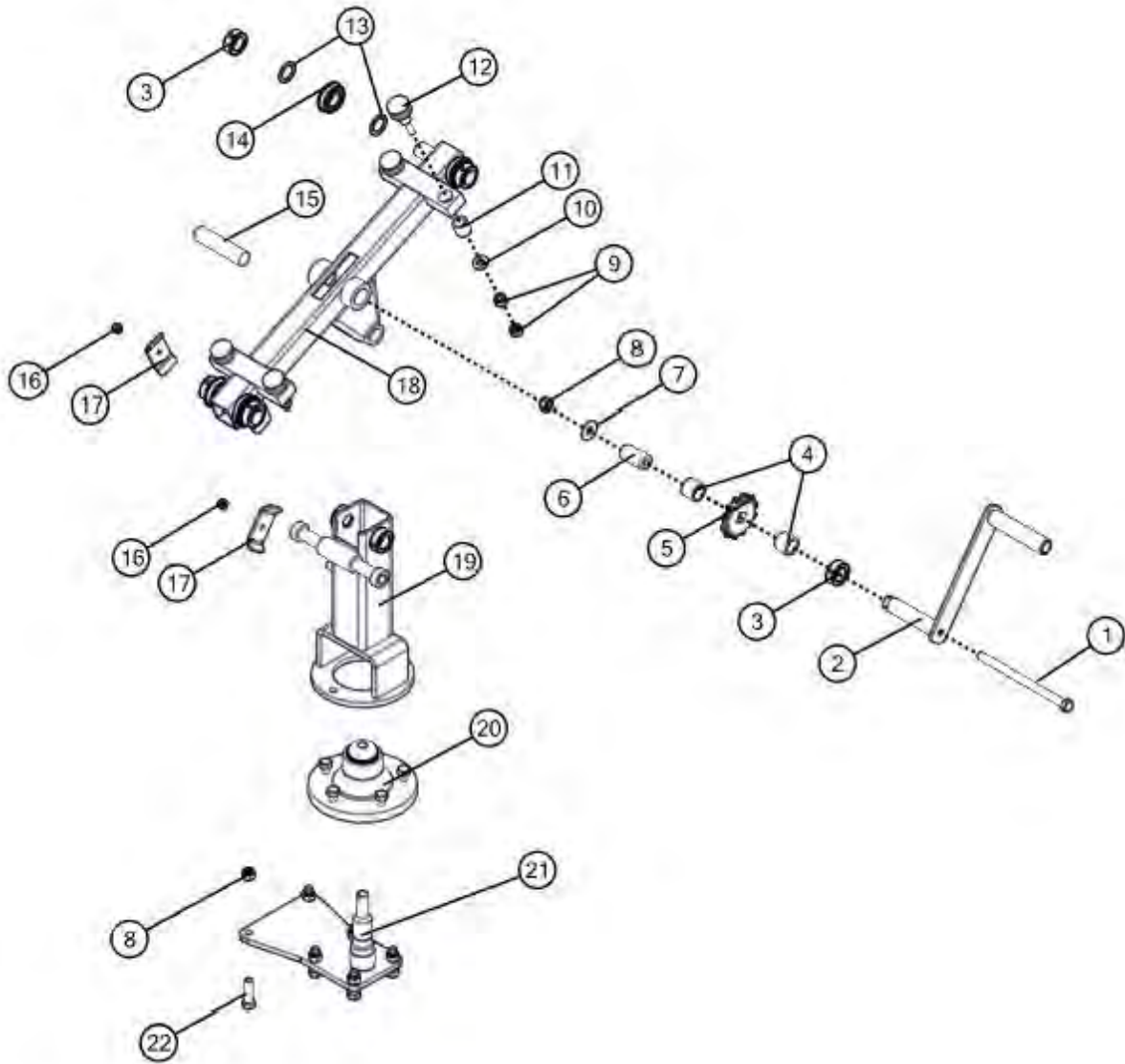


FIGURE 7

CRANK ASSEMBLY

<u>ITEM</u>	<u>QTY</u>	<u>PART#</u>	<u>DESCRIPTION</u>
1	1	RN1594000527	1/2 X 8 NC BOLT GR 5 PL
2	1	RN6500000274	CRANK HANDLE - TELESCOPIC FEED AUGER
3	1	RN2800000016	SET COLLAR 1" ID
4	2	RN1135000126	OILITE BUSHING - 1" X 1-1/4" X 1"
5	1	RN4500000398	CRANK SPROCKET - SQUARE DRIVE
6	1	RN4500000397	SHAFT -CRANK ASS'Y
7	1	YWFL16005	FLAT WASHER - 1/2" USS PLTD
8	7	YNNY10005	NYLOC NUT - 1/2" NC GR.5 PL
9	8	RN1670000809	HEX NUT - 1/2" NC GR.5 PL
10	4	YWFL16015	FLAT WASHER - 1/2" SAE PLTD
11	4	RN1135000101	OILITE BUSHING - 3/4" X 1" X 1"L
12	4	RN4500000011	INLET AUGER ROLLER GUIDE
13	8	RN1680000614	MACHINERY BUSHING/ WASHER - 1" ID X 18 GA
14	4	RN1140000098	1" BEARING - 52MM CYLINDRICAL OD
15	1	RN4524000050	PIVOT TOWER PIN
16	2	YNNY12005	NYLOC NUT - 3/8" NC GR.5 PL
17	2	RN4801000722	HOSE CLAMP
18	1	RN6500000273	TROLLEY WELDMENT - TELESCOPIC FEED AUGER 2019
19	1	RN6140000327	FEED AUGER PIVOT TOWER -18" MILL HS
20	1	RN3408000511	HUB ASSEMBLY COMPLETE - 511
21	1	RN6140000522	PIVOT 511 HUB/ SPINDLE BOLT-ON - TELESC FEED AUGER
22	6	YBHH16055	HEX BOLT - 1/2" NC X 1-3/4" GR.5 PL

FIGURE 8 **FEEDER AUGER HYDRAULICS**

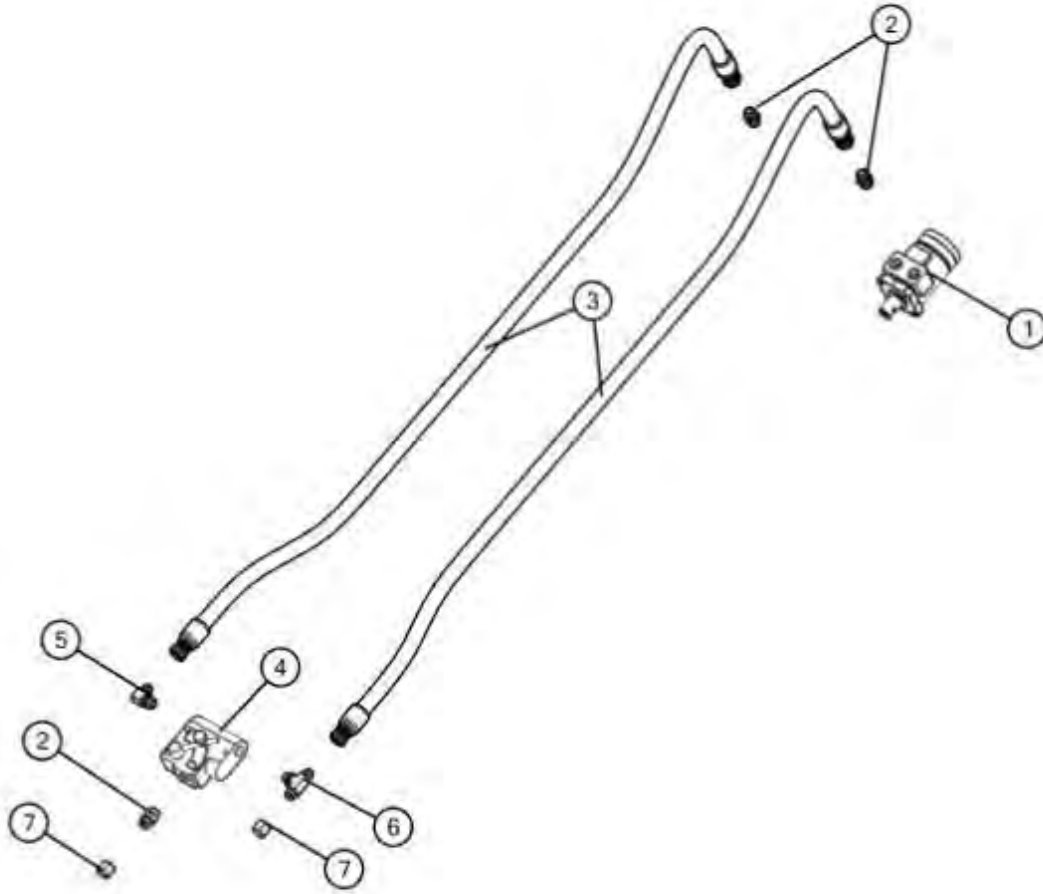


FIGURE 8
FEEDER AUGER HYDRAULICS

<u>ITEM</u>	<u>QTY</u>	<u>PART#</u>	<u>DESCRIPTION</u>
1	1	RN1111000362	7.3 ORBITAL MOTOR EATON#101-1858-009
2	3	RN0864000813	HEX NIPPLE #10 JICM X #10 ORBM
3	2	RN3936000070	HYD HOSE 2WB THIN COVER 5/8" X 70"
4	1	RN1101000398	FLOW CONTROL - FC51 1/2" NPT
5	1	RN0868000911	#10 ORBM TO #10 JICM 90 ELBOW
6	1	RN0851000820	TEE #10 JICM X #10 JICM X #10 ORBM
7	2	RN0811000102	CAP - #10 JIC

FIGURE 9
ROLL BUSHING ASSEMBLY B-LOC BUSHING

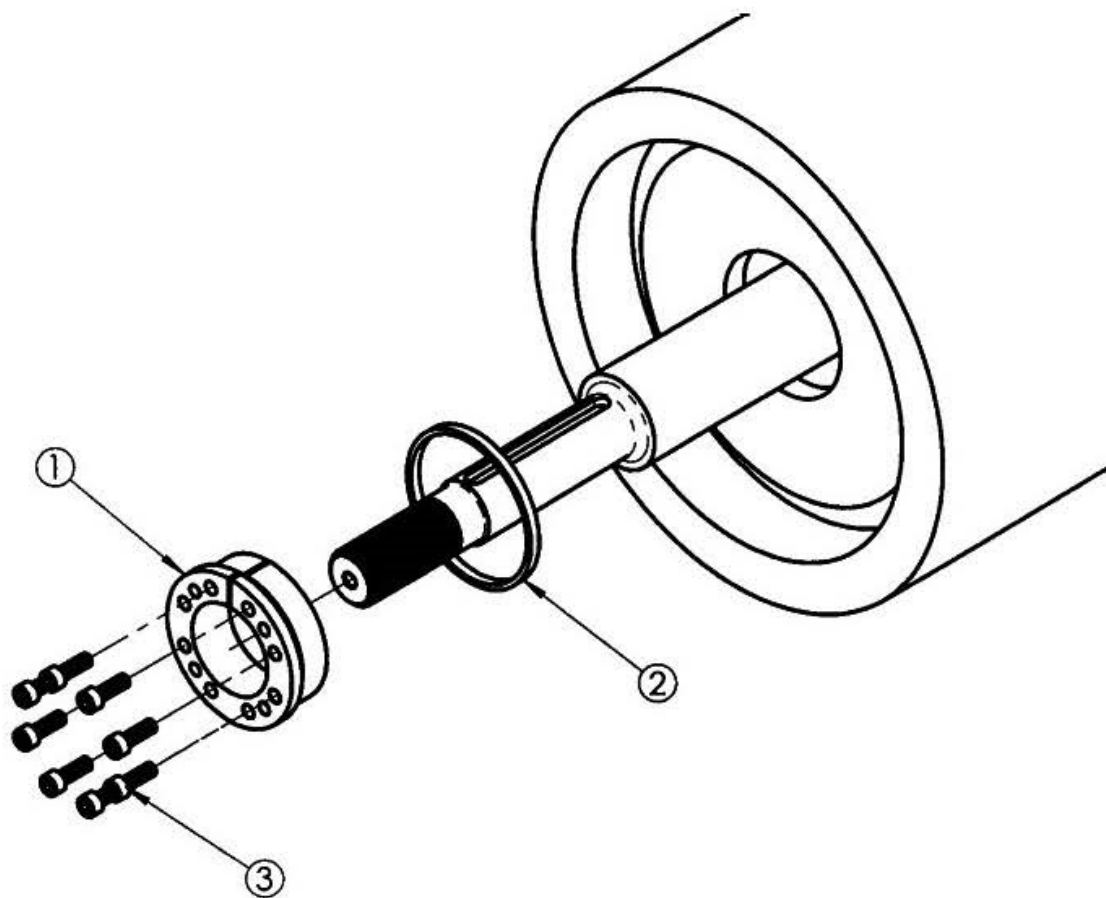


FIGURE 9

ROLL BUSHING ASSEMBLY B-LOC BUSHING

Roll Size Dia x Length	[#1] B-Loc Hub Part # & I/D	[#2] B-Loc Spacer Ring & Size	[#3] Socket Head Cap Screw (QTY) & Size	Tightening Torque (ft-lbs)
8-5/8" n x 10"	141000-0001 1-3/8"	N/A	(8) 6mm x 1.0 x 20mm	12
10-5/8" n x 16"	141000-0002 1-15/16"	N/A	(7) 8mm x 1.25 x 25mm	30
16" n x 12"	141000-0002 1-15/16"	N/A	(7) 8mm x 1.25 x 25mm	30
16" n x 18"	141000-0002 1-15/16"	N/A	(7) 8mm x 1.25 x 25mm	30
16" n x 24"	141000-0002 1-15/16"	N/A	(7) 8mm x 1.25 x 25mm	30
16" n x 24H	141000-0004 2-7/16"	N/A	(9) 8mm x 1.25 x 25mm	30
16" n x 30"	141000-0004 2-7/16"	N/A	(9) 8mm x 1.25 x 25mm	30
16" n x 30H	141000-0003 2-15/16"	141000-0006	(8) 10mm x 1.5 x 30mm	60
16" n x 36"	141000-0003 2-15/16"	141000-0006	(8) 10mm x 1.5 x 30mm	60
16" n x 48"	141000-0003 2-15/16"	141000-0006	(8) 10mm x 1.5 x 30mm	60

CHANGE NOTES

H&S MFG. CO.

products approved

for the

FEMA

SEAL OF QUALITY



Manufactured by:

H&S MANUFACTURING CO., INC.

2608 S. HUME AVE. MARSHFIELD, WI 54449

(715) 387-3414 | hsmfgco.com

