



# **RM7117**

## **ROLLER MIXER**

### **PARTS BOOK**

Part #90265 HSMFG010322 Rev. #02 Starting Ser. #221RM71001

**STRONG HERITAGE - STRONG PEOPLE - STRONGER FUTURE**



# TABLE OF CONTENTS

FIGURE #	CONTENTS	PAGE #
*	INSTRUCTIONS FOR ORDERING PARTS	1
1	HITCH AND JACK COMPONENTS	2-3
2	FRONT SHIELD AND COMPONENTS	4-5
3	FLYWHEEL AND COMPONENTS	6-7
4	ROLLER CHAIN AND COMPONENTS	8-9
5	FENDER AND TANK SUPPORT RH	10-11
6	FENDER AND TANK SUPPORT LH	12-13
7	SHAFT SHIELD AND COMPONENTS	14-15
8	HOPPER AND COMPONENTS	16-17
9	TANK COVER AND COMPONENTS	18-19
10	TANK WINDOWS AND COMPONENTS	20-21
11	MIXING AUGER AND COMPONENTS	22-23
12	YOKE AND TUBE COMPONENTS	24-25
13	LADDER AND COMPONENTS	26-27
14	UNLOADING AUGER AND COMPONENTS	28-29
15	VERTICAL AUGER TUBE AND COMPONENTS	30-31
16	VERTICAL AUGER AND COMPONENTS	32-33
17	AUGER HOUSING AND COMPONENTS	34-35
18	GATE AND COMPONENTS	36-37
19	HORIZONTAL AUGER AND COMPONENTS	38-39
20	TRANSFER AUGER AND COMPONENTS	40-41
21	HYDRAULICS	42-45
22	HYDRAULIC TANK	46-47
23	WHEEL AND HUB ASSEMBLY	48-49
24	6' FOLDING EXTENSION OPTION (GMOEXT6)	50-51
25	3' FOLDING EXTENSION OPTION (GMOEXT3)	52-53
26	REAR SUPPLEMENT HOPPER OPTION (GMORSH)	54-55
27	2500 SCALE OPTION (GMOBSSCL)	56-57
28	3410 SCALE OPTION (GMOPRMSCL)	58-59
29	GEARBOX	60-61
30	LIGHTS	62-63
31	540 RPM PTO	64-65
32	INTAKE AUGER OPTION (RMOSIA)	66-67
33	INTAKE AUGER OPTION (RMOSIA)	68-69
34	INTAKE AUGER OPTION (RMOSIA)	70-71



**RM7117**



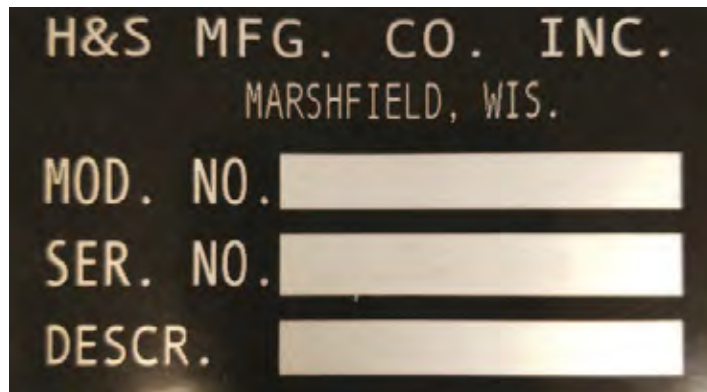
# INSTRUCTIONS FOR ORDERING PARTS

All service parts should be ordered through your authorized H&S dealer. Your Dealership will be able to give you faster service if you will provide them with the following:

1. Model & Serial Number - Both can be located the bottom of front guard.
2. All references to left or right apply to the machine as viewed from the rear.
3. Parts should not be ordered from illustration only. Please order complete part number.
4. If your dealer has to order parts, give shipping instructions:

VIA truck - large pieces (please specify local truck lines)

VIA United Parcel Service (include full address)



PLEASE RECORD NUMBERS FOR YOUR UNIT FOR QUICK REFERENCE

## ABOUT IMPROVEMENTS

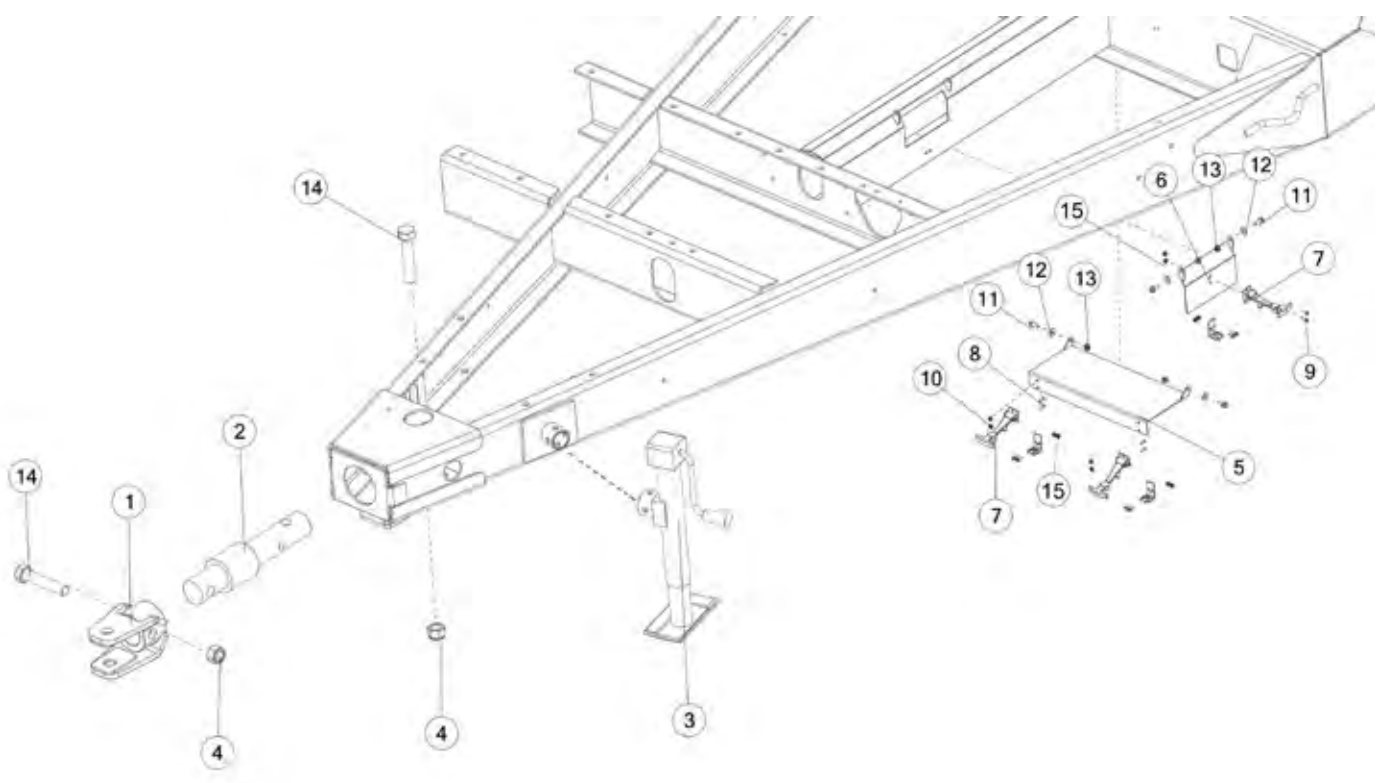
H&S IS CONTINUALLY STRIVING TO IMPROVE ITS PRODUCTS

We must, therefore, reserve the right to make improvements or changes whenever it becomes practical to do so, without incurring any obligation to make changes or additions to the equipment previously sold.





# FIGURE 1 HITCH AND JACK COMPONENTS





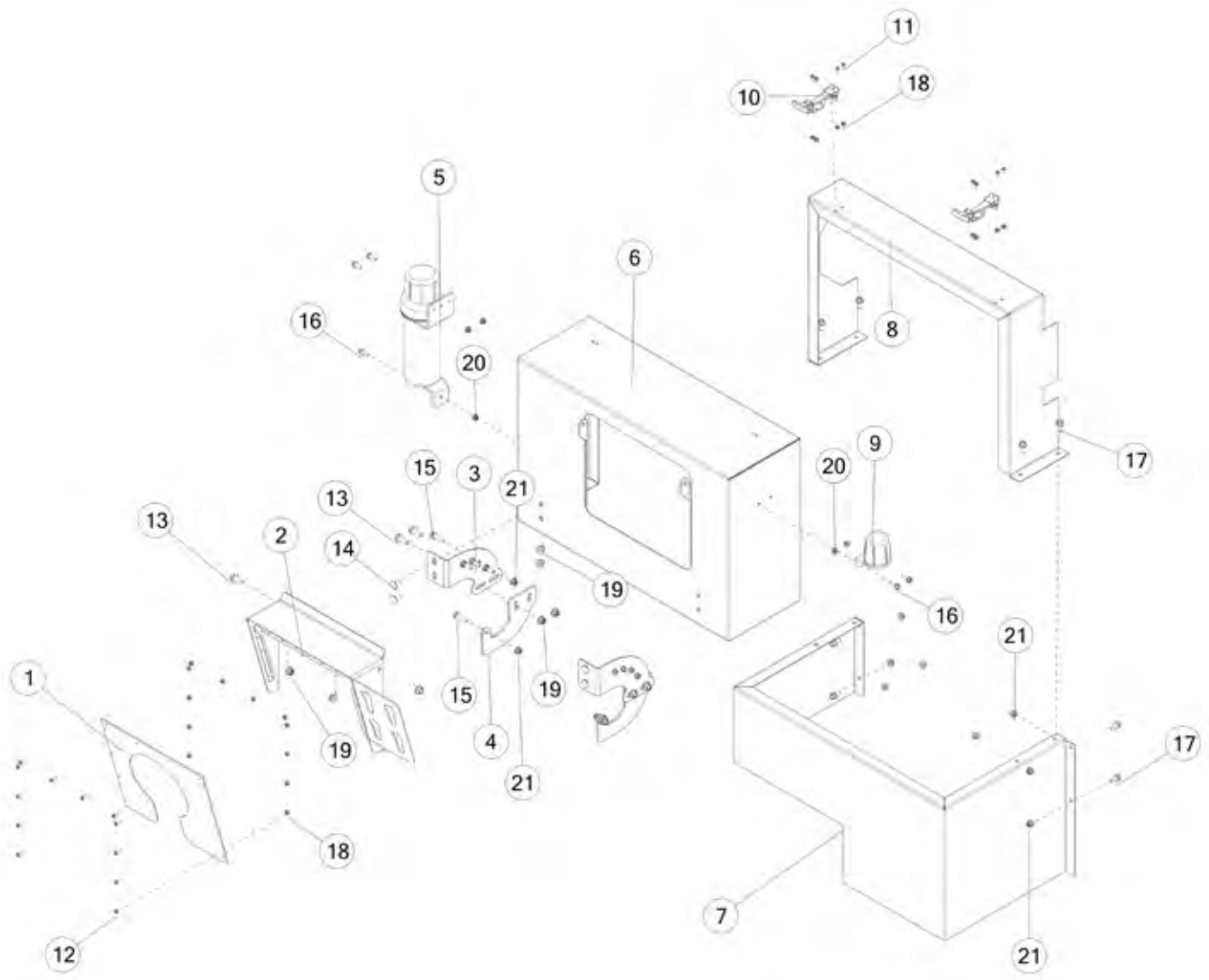
# FIGURE 1 HITCH AND JACK COMPONENTS

REF #	PART #	DESCRIPTION	QTY
1	GM74	HITCH CLEVIS	1
2	GM403	HITCH LOAD CELL	1
3	GM396	JACK	1
4	YNNY32005	NUT HEX, 1-8 LKNY, G2 ZC	2
5	89717	ACCESS COVER	1
6	87469	COVER	1
7	X233	LATCH ASSEMBLY	3
8	YSFM62005	FLAT HEAD CAP SCREW, CROSS #8-32 X 1/2	4
9	YSPP64005	PHILLIPS PAN HEAD TYPE, 10-32 X 1/2	8
10	YNNY62005	NUT HEX, #8-32 LKNY G2 ZC	2
11	YBFB08075	BOLT FLANGE, 1/4 X 3/4 G5	4
12	YWFL08005	WASHER, FLAT, 1/4 USS	4
13	YNFG08010	NUT FLANGE, 1/4 GF	4
14	YBHH32020	BOLT HEX, 1-8 X 5 G5	2
15	YNNY64006	NUT HEX, 10-32 SS	10





# FIGURE 2 FRONT SHIELD AND COMPONENTS







# FIGURE 2

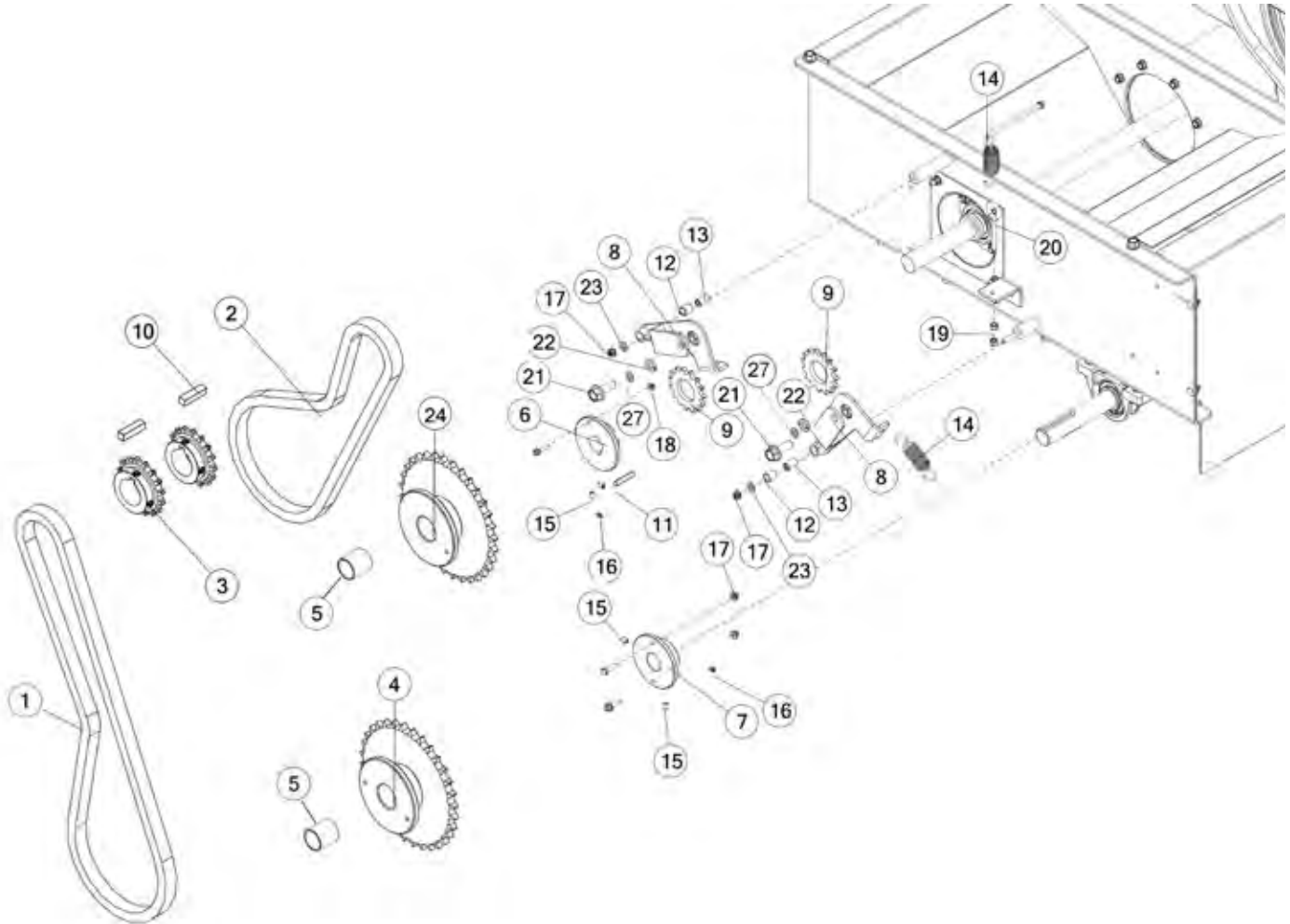
## FRONT SHIELD AND COMPONENTS

REF #	PART #	DESCRIPTION	QTY
1	84893	POLY PTO GUARD	1
2	80606	SHIELD PTO GUARD	1
3	80608	SHIELD FRONT HINGE TOP	2
4	GM529	SHIELD FRT HNGE BTM, 7 X 4.63 X .19	2
5	S522	MANUAL HOLDER	1
6	90056B	CHAIN SHIELD, FRONT	1
7	90054	CHAIN SHIELD, LOWER	1
8	90040	CHAIN SHIELD, BACK	1
9	CHM38	PLUG STORAGE	1
10	X233	079-0101 LATCH ASSEMBLY	2
11	YSPN64004	MACHINE PPHS, #10-24 X 3/8 SS	8
12	YSPN64005	MACHINE PPHS, #10-24 X 5/8 ZINC	12
13	YBFB12003	BOLT FLANGE, 3/8 X 1 G5	4
14	YBCR12065	BOLT CARRIAGE, 3/8-16 X 3/4 G5 ZC	4
15	YBFB10125	BOLT FLANGE, 5/16 X 1-1/4 G5	10
16	YBFB08075	BOLT FLANGE, 1/4 X 3/4 G5	5
17	YBFB10075	BOLT FLANGE, 5/16 X 3/4 G5	8
18	YNNY64005	NUT HEX, #10-24 LKNY G2 ZC	20
19	YNFG12006	NUT FLANGE, 3/8 GF	10
20	YNFG08010	NUT FLANGE, 1/4 GF	5
21	YNFG10005	NUT FLANGE, 5/16 GF	18





**FIGURE 3**  
**FLYWHEEL AND COMPONENTS**





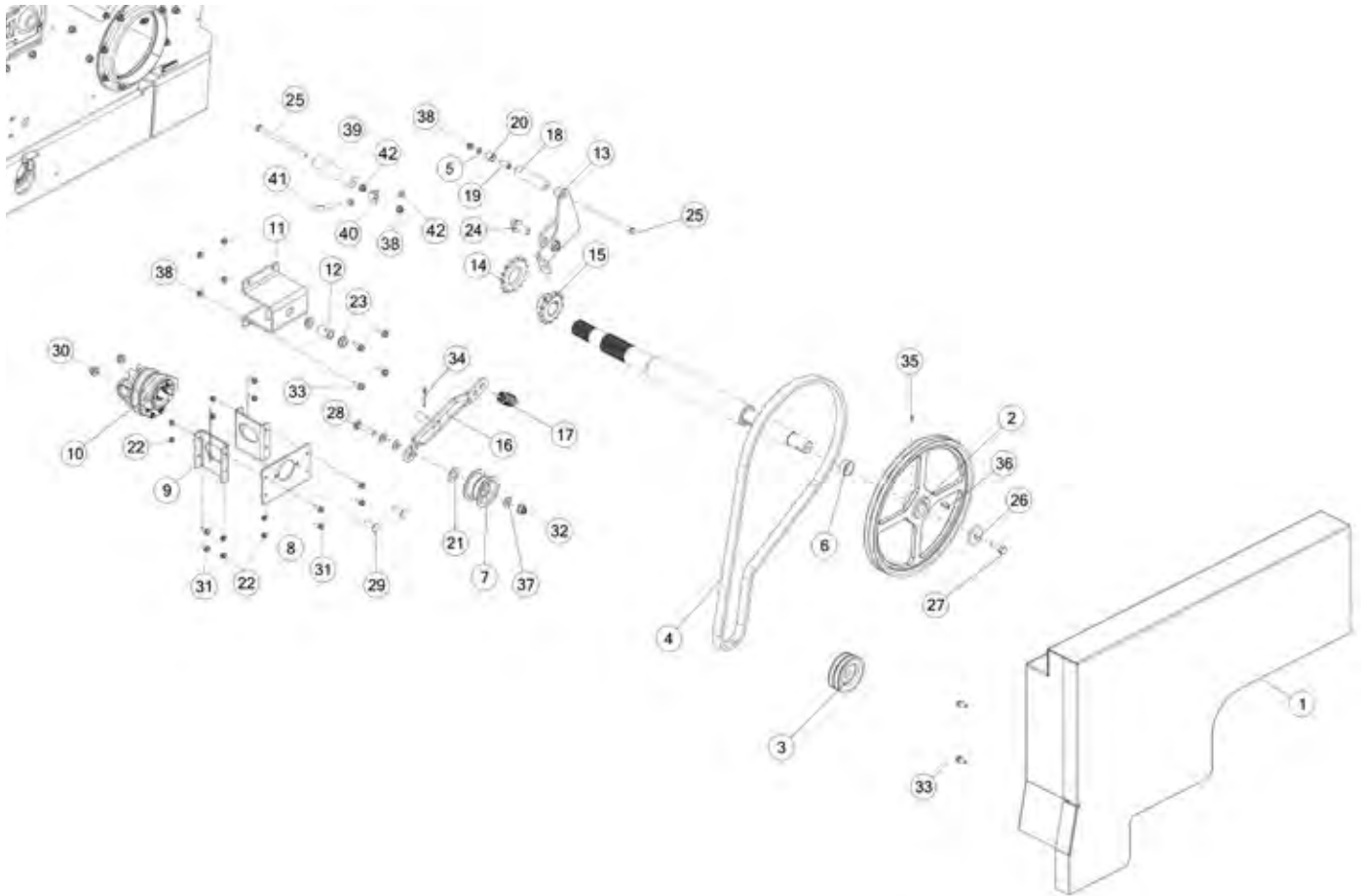
# FIGURE 3 FLYWHEEL AND COMPONENTS

REF #	PART #	DESCRIPTION	QTY
1	84938	ROLLER CHAIN 60 X 86	1
2	84939	ROLLER CHAIN, 60 X 67	1
3	81461	SPROCKET, 60, B, 16, 1-15/16	2
4	17G71	BACK SHEAR HUB	1
5	87392	SHEAR HUB	1
6	87390	BACK SHEAR HUB	1
7	84809	SINGLE SPROCKET, 35	1
8	82207	TENSIONER BRKT, CHAIN	2
9	GM251	MAIN DRIVE IDLER	2
10	BBS59	SQUARE KEY, 1/2 X 2	2
11	PB87	SQUARE KEY, 3/8 X 2	1
12	GM296	IDLER PIVOT BUSHING, 3/4 OD X 5/8 ID X 3/4	2
13	GM299	TUBE, RD, TENSIONER PIVOT	2
14	GM410	EXTENSION SPRING	2
15	YSSO12005	SET SCREW, SOCKET, 3/8-16 X 1/2	4
16	G89	STRAIGHT ZERK, 1/4-28	2
17	YNFG10005	NUT FLANGE, 5/16 GF	4
18	YNFG08010	NUT FLANGE, 1/4 GF	1
19	YNHX12004	NUT HEX, 3/8-16 NA G2 NF	2
20	YBWE12100	BOLT WELDED EYE, 3/8-16 X 3 ZC	1
21	YBFB20175	BOLT FLANGE, 5/8 X 1-3/4 G5	2
22	YWLO20010	WASHER LOCK, 5/8 G8 YELLOW ZINC	2
23	YWFL12010	WASHER FLAT, 3/8 SAE G8 YELLOW ZINC	2
24	87393	SINGLE SPROCKET, 32	1
25	84211	SINGLE SPROCKET, 32	1
26	89750	BRONZE BUSHING, 1-1/2 X 1-7/8	2
27	YWFL20010	WASHER FLAT, 5/8 G8	2





# FIGURE 4 ROLLER CHAIN AND COMPONENTS





# FIGURE 4

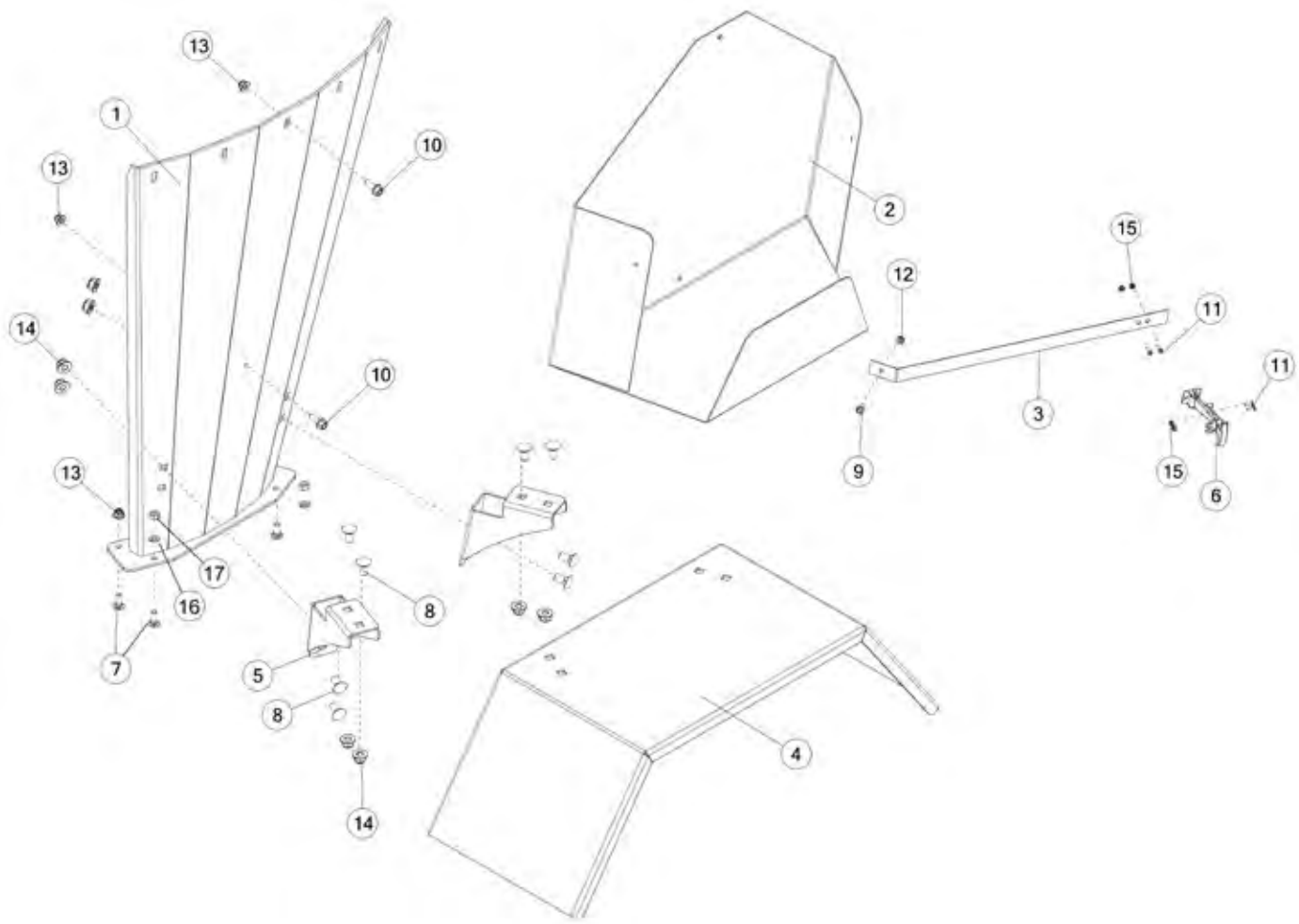
## ROLLER CHAIN AND COMPONENTS

REF #	PART #	DESCRIPTION	QTY
1	84868	SHIELD BELT, ROLLER	1
2	56635	SHEAVE 2AK154, 1.375 SHAFT	1
3	88022	BELT PULLEY	1
4	81621	BELT, 2A71	1
5	YWFL10010	WASHER FLAT, 5/16 SAE G8 YELLOW ZINC	1
6	84508	SPACER, 0.59	1
7	K156	PULLEY, 2.64, .53 BORE	1
8	81618	BRKT, HYD PUMP	1
9	82225	PUMP BRACKET, STANDOFF	2
10	81560	HYD PUMP	1
11	84799	TENSIONER BRKT	1
12	84943	BUSHING	1
13	79711	CHAIN TENSIONER WLDMT	1
14	GM251	MAIN DRIVE IDLER	1
15	TS36	SINGLE SPROCKET, 13	1
16	79716	BELT TENSIONER WLDMT	1
17	GM410	EXTENSION SPRING	1
18	84429	SPACER, 4.875, TENSIONER	1
19	GM299	TUBE, RD, TENSIONER PIVOT	1
20	GM296	IDLER PIVOT BUSHING, 3/4 OD X 5/8 ID X 3/4	1
21	YWFL24020	WASHER FLAT, SAE 3/4 ZINC	1
22	YNFG12006	NUT FLANGE, 3/8 GF	8
23	GM416	NYLTRN BSH, .76 X 1.21 X .32	2
24	YBFB20150	BOLT FLANGE, 5/8 X 1-1/2 G5	1
25	YBHH10135	BOLT HEX, 5/16 X 6 G5	2
26	GM415	INPUT YOKE WASHER	1
27	YBHH16046	BOLT HEX, 1/2 X 1-1/4 G5 FINE THREAD	1
28	YBCR16023	BOLT CARRIAGE, 1/2-13 X 2-1/4 G5 ZC	1
29	YBCR14007	BOLT CARRIAGE, 7/16-14 X 1-1/2 G5 ZC	2
30	YNFG14011	NUT FLANGE, 7/16 GF	2
31	YBFB12003	BOLT FLANGE, 3/8 X 1 G5	8
32	YNFG16003	NUT FLANGE, 1/2 GF	1
33	YBFB10001	BOLT FLANGE, 5/16 X 1 G5	6
34	YPCT08005	COTTER PIN, 1/4 X 1-3/4	1
35	YSKP10010	SET SCREW, SKT KNURLED CUP PT, 5/16 - 18 X 3/8	1
36	G12	WOODRUF KEY, 5/16 X 1	1
37	YWFL16015	WASHER FLAT, 1/2 SAE G8 YELLOW ZC	3
38	YNFG10005	NUT FLANGE, 5/16 GF	6
39	84852	TENSIONER SPACER, 5-3/4	1
40	R26	SPRING BRACKET	1
41	YBTE10035	BOLT TURNED EYE, 5/16-18 X 3	1
42	YNHX10005	NUT HEX, 5/16 G2	2





# FIGURE 5 FENDER AND TANK SUPPORT RH

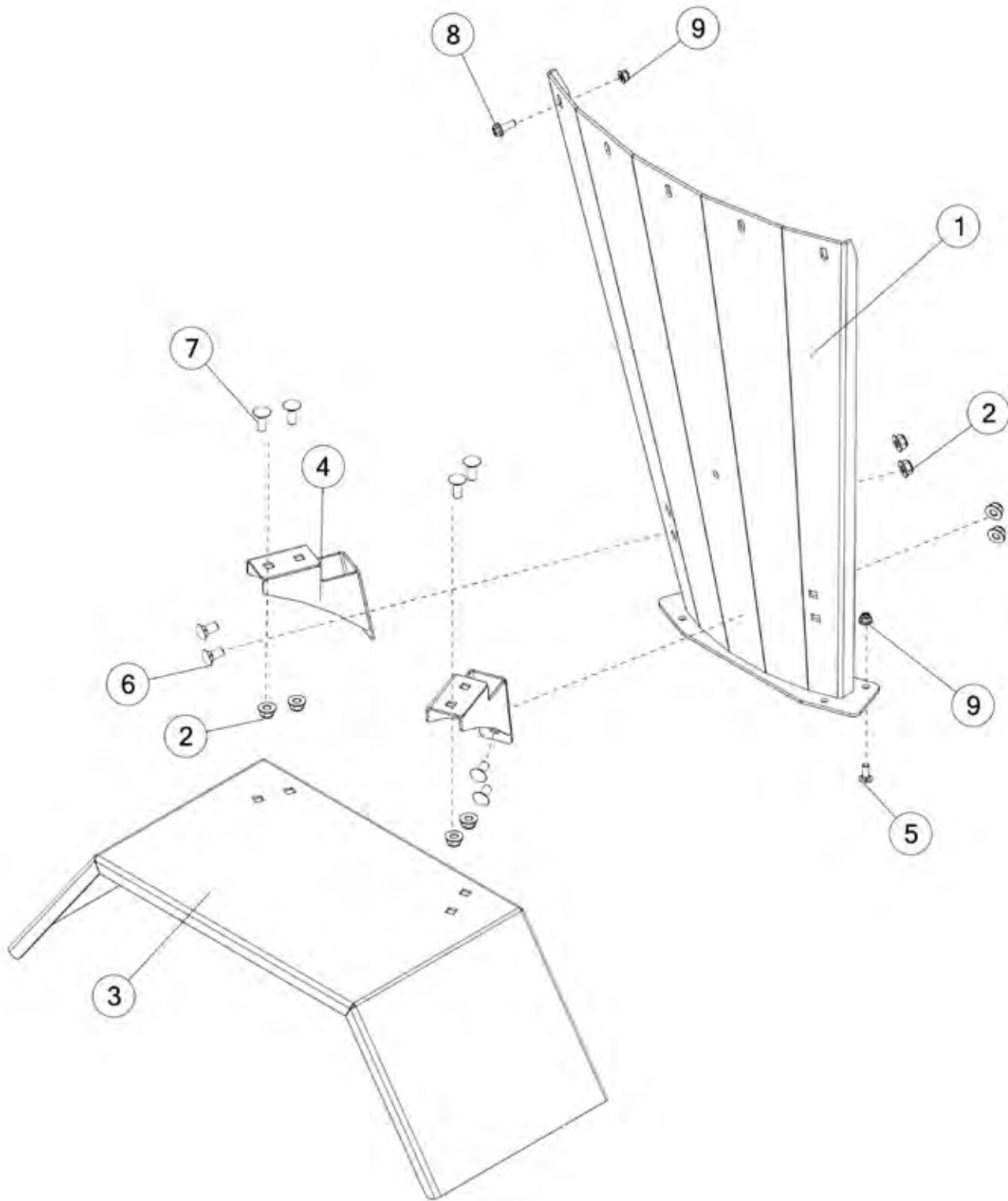


REF #	PART #	DESCRIPTION	QTY
1	GM76	TANK SIDE SUPPORT	1
2	90159B	SCREEN HOLDER	1
3	GM399	SCREEN HOLDER STRAP	1
4	GM333	FENDER	1
5	85662	FENDER SUPPORT BRKT	2
6	X233	LATCH ASSEMBLY	1
7	YBCR12010	BOLT CARRIAGE, 3/8 X 1 G5	7
8	YBCR16005	BOLT CARRIAGE, 1/2 X 1 G5	8
9	YBFB08005	BOLT FLANGE, 1/4 X 1/2 G5	1
10	YBFB12003	BOLT FLANGE, 3/8 X 1 G5 ZC	6
11	YSPP62005	PAN HEAD PHILLIPS, #8 X 1/2	4
12	YNFG08010	NUT FLANGE, 1/4 GF	1
13	YNFG12006	NUT FLANGE, 3/8 GF	10
14	YNFG16003	NUT FLANGE, 1/2 GF	8
15	YNNY62005	NUT HEX, NYLON INSERT LOCKNUT, #8	4
16	YWLO12005	WASHER LOCK, 3/8	2
17	YNHX12005	NUT HEX, 3/8 G2	2





**FIGURE 6**  
**FENDER AND TANK SUPPORT LH**







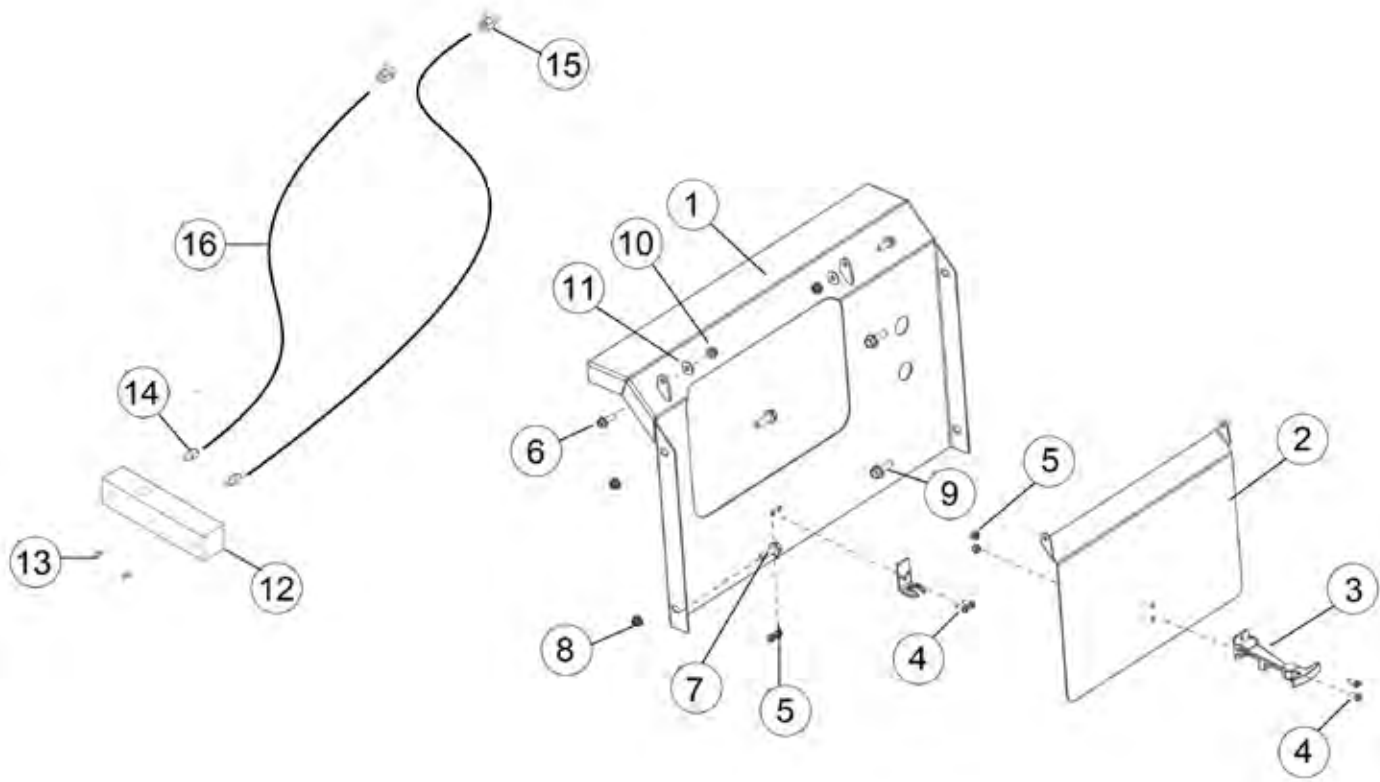
# FIGURE 6 FENDER AND TANK SUPPORT LH

REF #	PART #	DESCRIPTION	QTY
1	GM76	TANK SIDE SUPPORT	1
2	YNFG16003	NUT FLANGE, 1/2 GF	8
3	GM333	FENDER	1
4	85662	FENDER SUPPORT BRACKET	2
5	YBCR12010	BOLT CARRIAGE, 3/8 X 1 G5	7
6	YBCR16005	BOLT CARRIAGE, 1/2 X 1 G5	4
7	YBCR16015	BOLT CARRIAGE, 1/2 X 1-1/4 G5	4
8	YBFB12003	BOLT FLANGE, 3/8 X 1 G5 ZC	5
9	YNFG12006	NUT FLANGE, 3/8 GF	14





# FIGURE 7 SHAFT SHIELD AND COMPONENTS





# FIGURE 7

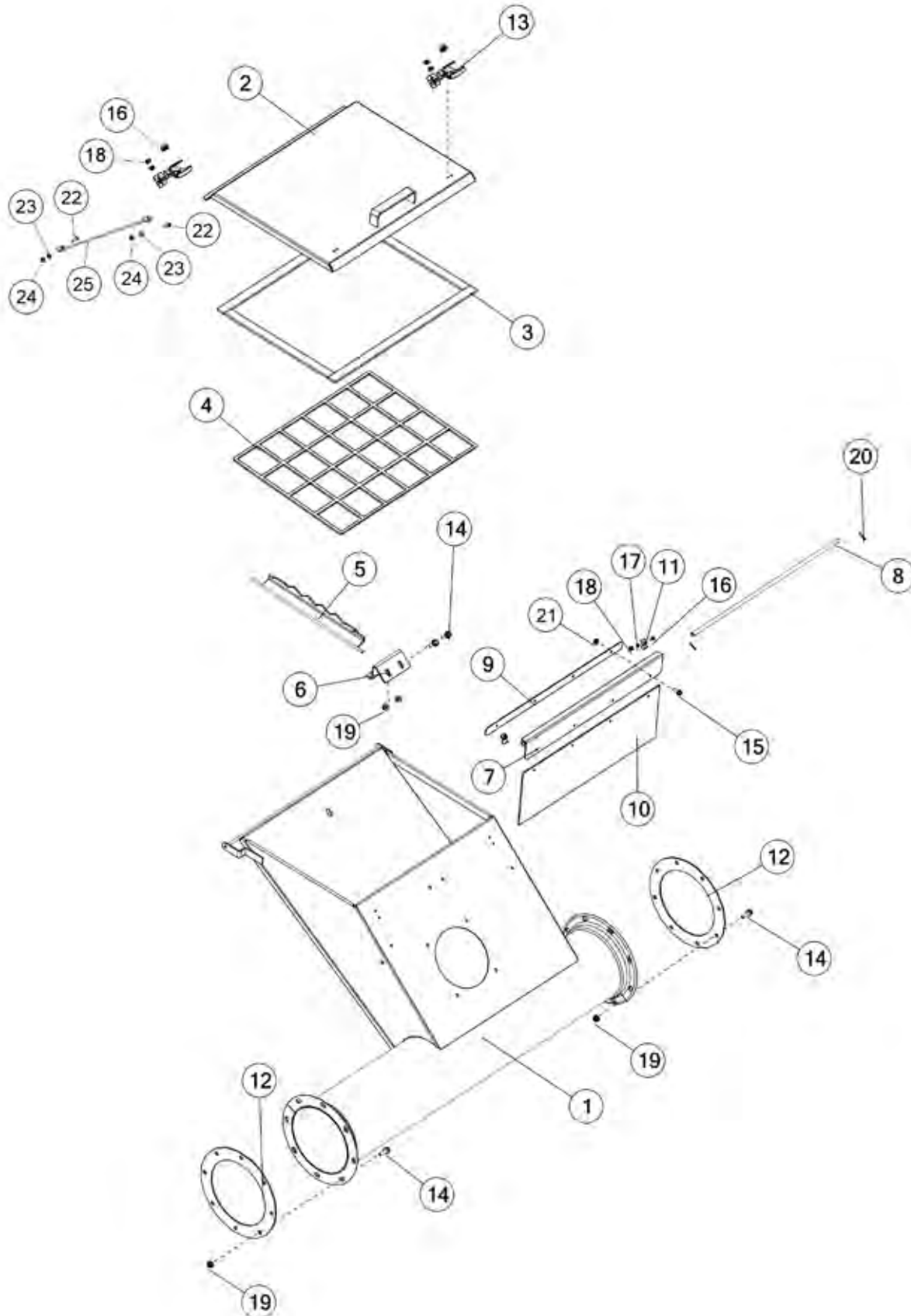
## SHAFT SHIELD AND COMPONENTS

REF #	PART #	DESCRIPTION	QTY
1	90124	SHAFT SHIELD	1
2	90120B	SHIELD COVER W/DECAL	1
3	X233	LATCH ASSEMBLY	1
4	YSPN64004	MACHINE PPHS, #10-24 X 3/8 SS	4
5	YNNY64005	NUT HEX, NYLON INSERT LOCKNUT, #10	4
6	YBFB08075	BOLT FLANGE, 1/4 X 3/4 G5	2
7	YBCR10010	BOLT CARRIAGE, 5/16 X 1 G5	2
8	YNFG10005	NUT FLANGE, 5/16 GF	2
9	YBFB12075	BOLT FLANGE, 3/8 X 3/4 G5	2
10	YNFG08010	NUT FLANGE , 1/4 GF	2
11	YWFL08005	WASHER FLAT, 1/4	2
12	SD83	GREASE BLOCK, 3-PORT	1
13	G89	STRAIGHT ZERK 1/4-28 X 90	2
14	GM424	GREASE LINE ADAPTER, 1/4-28	2
15	GM429	GREASE LINE ADAPTER 90 DEGREE, 1/4-28	2
16	GM428	GREASE LINE, 85	2





# FIGURE 8 HOPPER AND COMPONENTS





# FIGURE 8

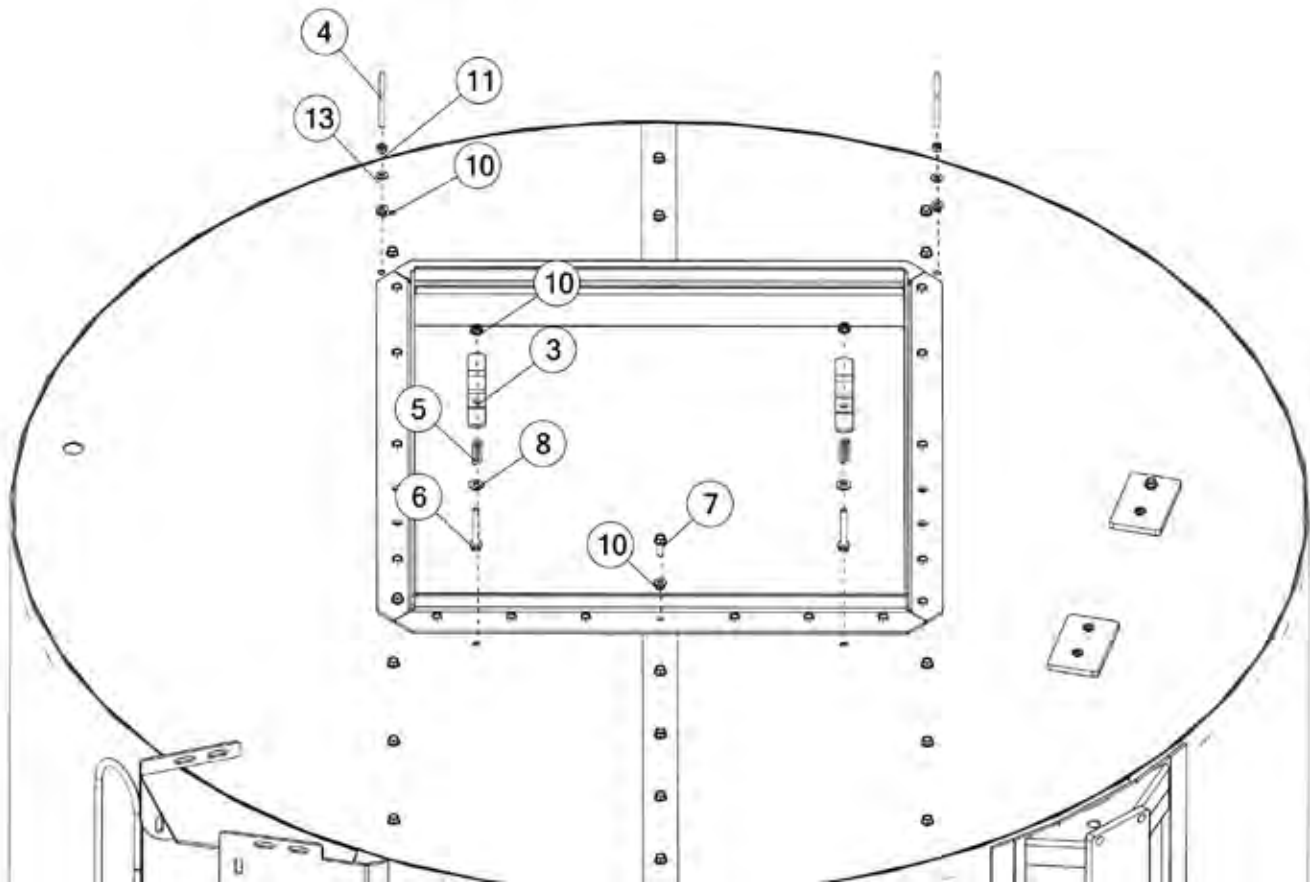
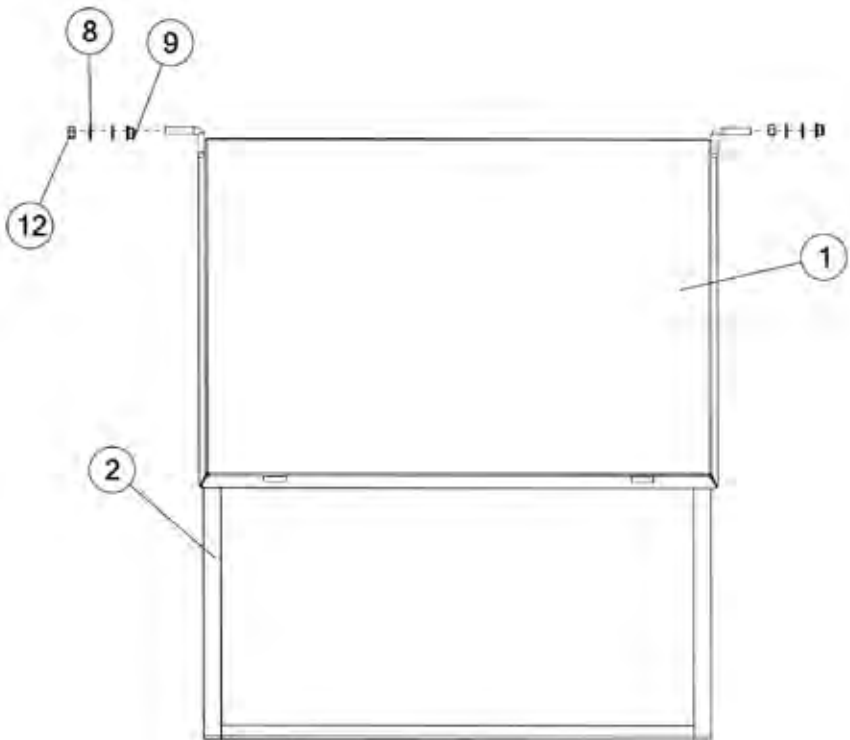
## HOPPER AND COMPONENTS

REF #	PART #	DESCRIPTION	QTY
1	81464	HOUSING, SUPPLEMENT HOPPER	1
2	93792	HOPPER COVER	1
3	79631	GASKET, SUPPLEMENT HOPPER	1
4	73901	SCREEN, SUPPLEMENT HOPPER	1
5	GM93	BAG BREAKER	1
6	73751	SUPPORT BRACKET	1
7	86033	FLAP WELDMENT	1
8	85668	HINGE ROD	1
9	85669	CHUTE FLAP CLAMP	1
10	85670	CHUTE FLAP POLY	1
11	GM91	HOSE CLAMP	2
12	74281	SHIM	*
13	X233	079-0101 LATCH ASSEMBLY	2
14	YBFB10001	BOLT FLANGE, 5/16 X 1 G5	18
15	YBFB08075	BOLT FLANGE, 1/4 X 3/4 G5	4
16	YSPP64005	SCREW PAN HEAD, #10-32 X 1/2	6
17	YWLO64005	WASHER, LOCK, #10	2
18	YNNY64006	NUT HEX, 10-32 SS	6
19	YNFG10005	NUT FLANGE, 5/16 GF	18
20	YPCT03010	COTTER PIN, 3/32 X 3/4	2
21	YNFG08010	NUT FLANGE, 1/4	4
22	YSPN64005	SCREW PAN HEAD, #10-24 X 5/8	2
23	YWFL06005	WASHER FLAT, 3/16 #10	2
24	YNNY64005	NUT HEX, NYLON INSERT LOCKNUT #10	2
25	93755	LANYARD, 16	1





**FIGURE 9**  
**TANK COVER AND COMPONENTS**





## FIGURE 9 TANK COVER AND COMPONENTS

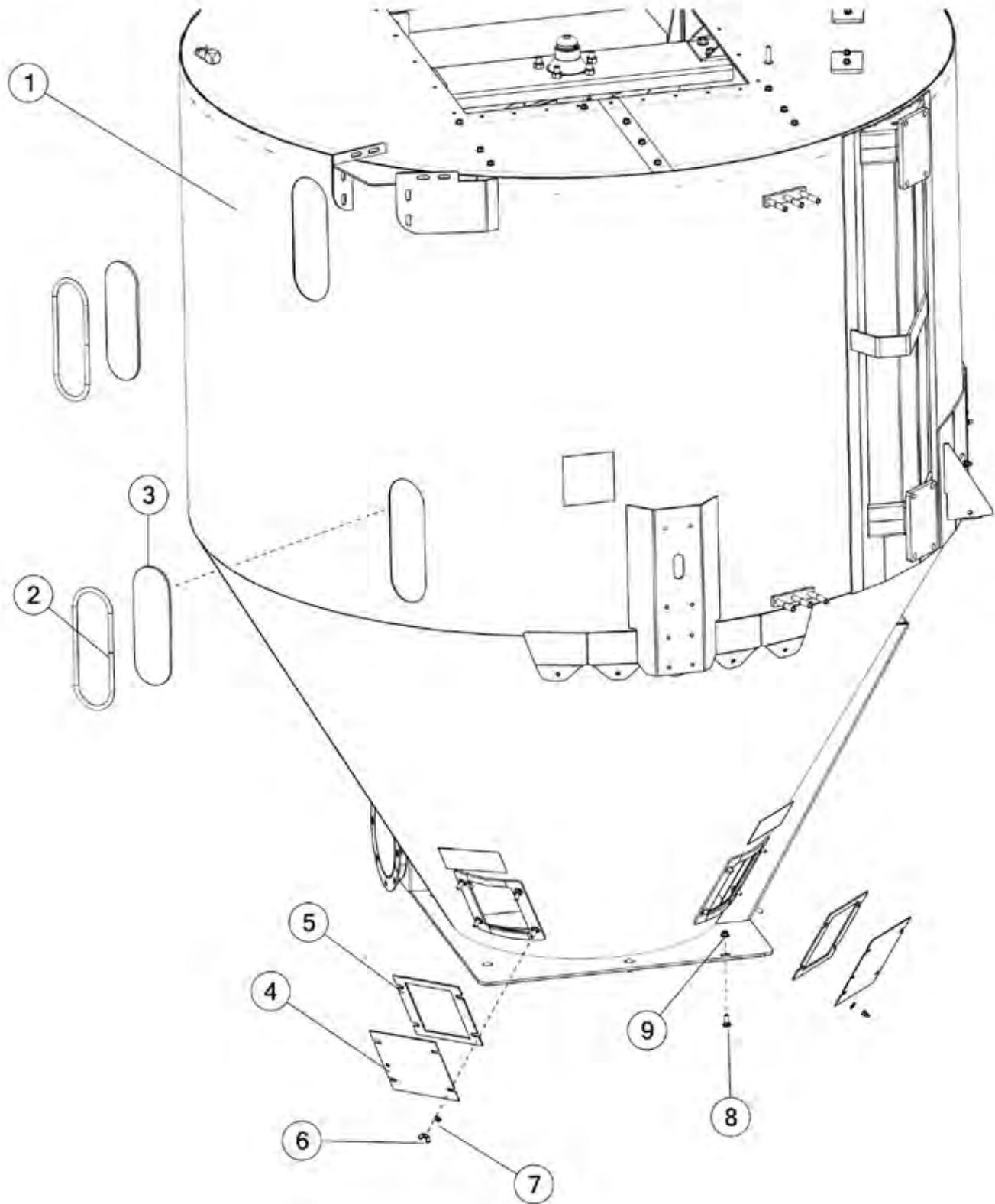
REF #	PART #	DESCRIPTION	QTY
1	89721	TANK COVER, ASSEMBLY	1
2	90867	LID GASKET, THICK	1
3	GM305	LATCH COVER, 1 X 7.61 X .19	2
4	YBTE10015	BOLT TURNED EYE, 5/16 X 2-1/2	2
5	GM309	SPRING	2
6	YBFB10250	BOLT FLANGE, 5/16 X 2-1/2 G5	2
7	YBFB10001	BOLT FLANGE, 5/16 X 1 G5	24
8	YWFL12010	WASHER FLAT, 3/8	6
9	YNFG12006	NUT FLANGE, 3/8 GF	2
10	YNFG10005	NUT FLANGE, 5/16 GF	28
11	YNHX10010	NUT HEX, 5/16-18 NA G5 ZC	2
12	YNHX12004	NUT HEX, 3/8-16 NA G2 NF	2
13	YWFL10010	WASHER FLAT, 5/16	2





# FIGURE 10

## TANK WINDOWS AND COMPONENTS





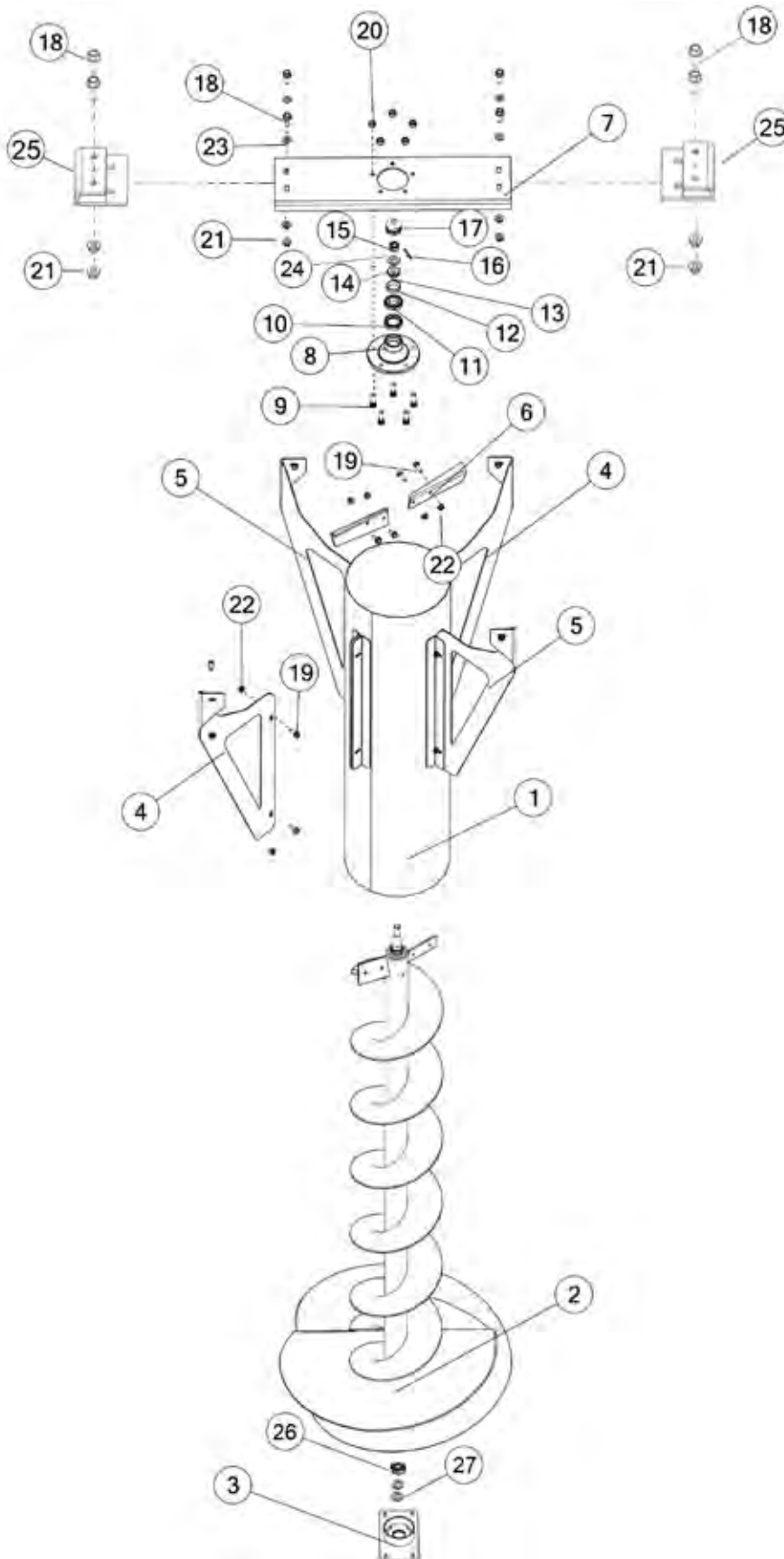


# FIGURE 10

## TANK WINDOWS AND COMPONENTS

REF #	PART #	DESCRIPTION	QTY
1	85495	TANK	1
2	GM347	WINDOW GASKET	5
3	GM346	TOP SIGHT WINDOW	5
4	GM488B	AUGER CLEANOUT COVER	4
5	GM357	GASKET CLEANOUT	4
6	YNWG10005	NUT WING, 5/16-18 NA ZC	16
7	YWFL10010	WASHER FLAT, 5/16 SAE G8 YELLOW ZINC	16
8	YBCR12010	BOLT CARRIAGE, 3/8-16 X 1 G5 ZC	3
9	YNFG12006	NUT FLANGE, 3/8 GF	3







# FIGURE 11

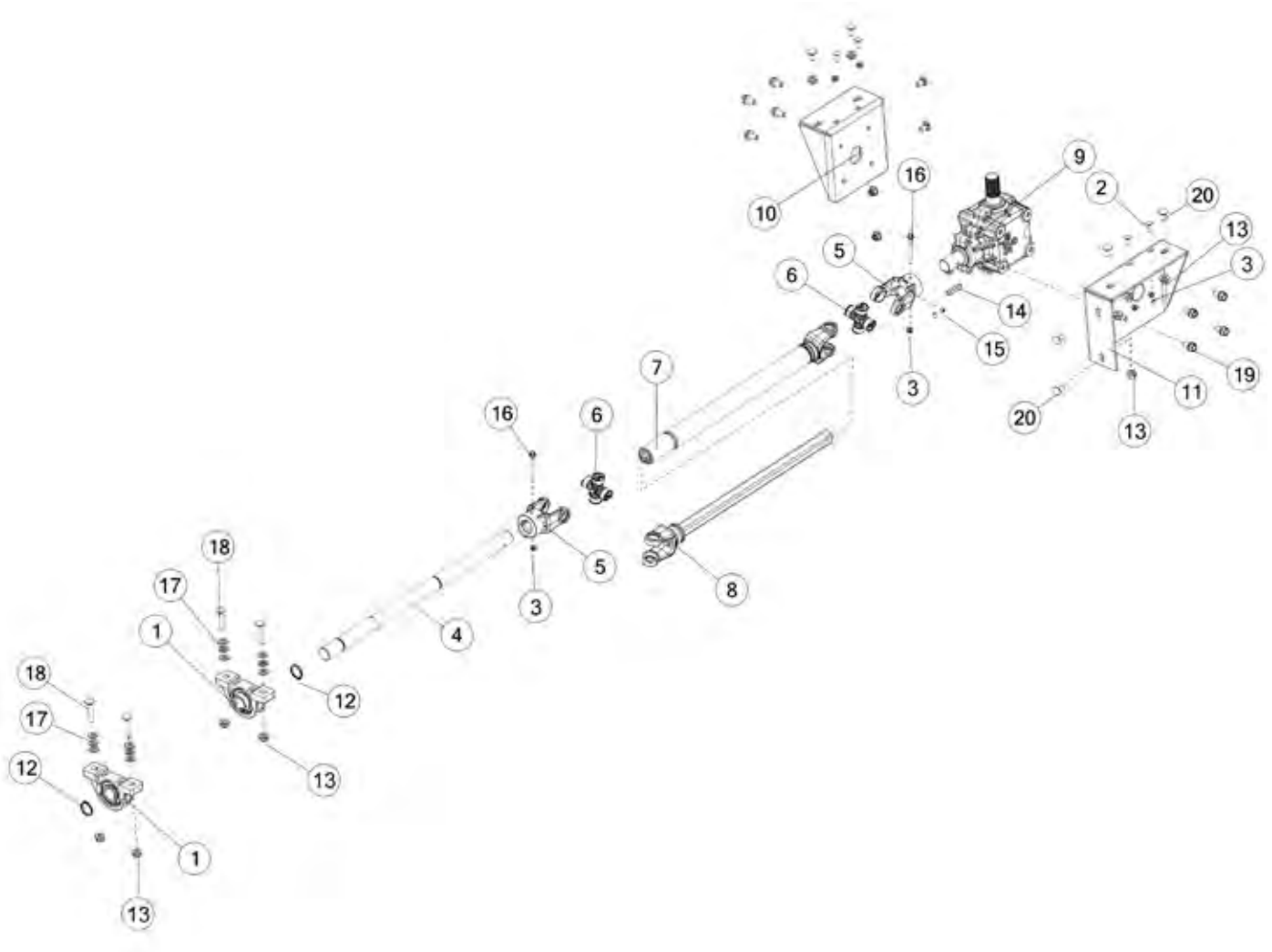
## MIXING AUGER AND COMPONENTS

REF #	PART #	DESCRIPTION	QTY
1	84971	MIXING AUGER TUBE	1
2	86436	MIXING AUGER	1
3	86245	STL PANEL, BOTTOM	1
4	GM564	WID SUPPORT A	2
5	GM565	WID SUPPORT B	2
6	86566	STEEL PANEL, BROADCAST	2
7	86420	HUB BRACKET	1
8	BFR60	HUB WITH RACES & STUDS	1
9	YBSD16005	BOLT STUD, 1/2 X 1-7/8 X 3/8 G5	5
10	60699	GREASE SEAL	1
11	17G145	TAPERED ROLLER BEARING	1
12	17G146	OUTER RACE	1
13	BFR62	OUTER BEARING	1
14	BFR61	OUTER RACE	1
15	YNSL24010	NUT HEX, SLOTTED, 3/4 G2	1
16	YPCT05010	COTTER PIN, 5/32 X 1-1/2	1
17	BFR66	HUB CAP	1
18	YBFB16150	BOLT FLANGE, 1/2 X 1-1/2 G5	4
19	YBFB12003	BOLT FLANGE, 3/8 X 1 G5 ZC	16
20	YNWL16005	NUT WHEEL, 1/2 G5	5
21	YNFG16003	NUT FLANGE, 1/2 GF	4
22	YNFG12006	NUT FLANGE, 3/8 GF	16
23	YWFL16015	WASHER FLAT, 1/2 G8	4
24	YWFL24010	WASHER FLAT, 3/4	1
25	93331	AUGER BRACKET	2
26	86582	HEX PLUG	1
27	RG87	THRUST WASHER, 1/8	2





# FIGURE 12 YOKE AND TUBE COMPONENTS





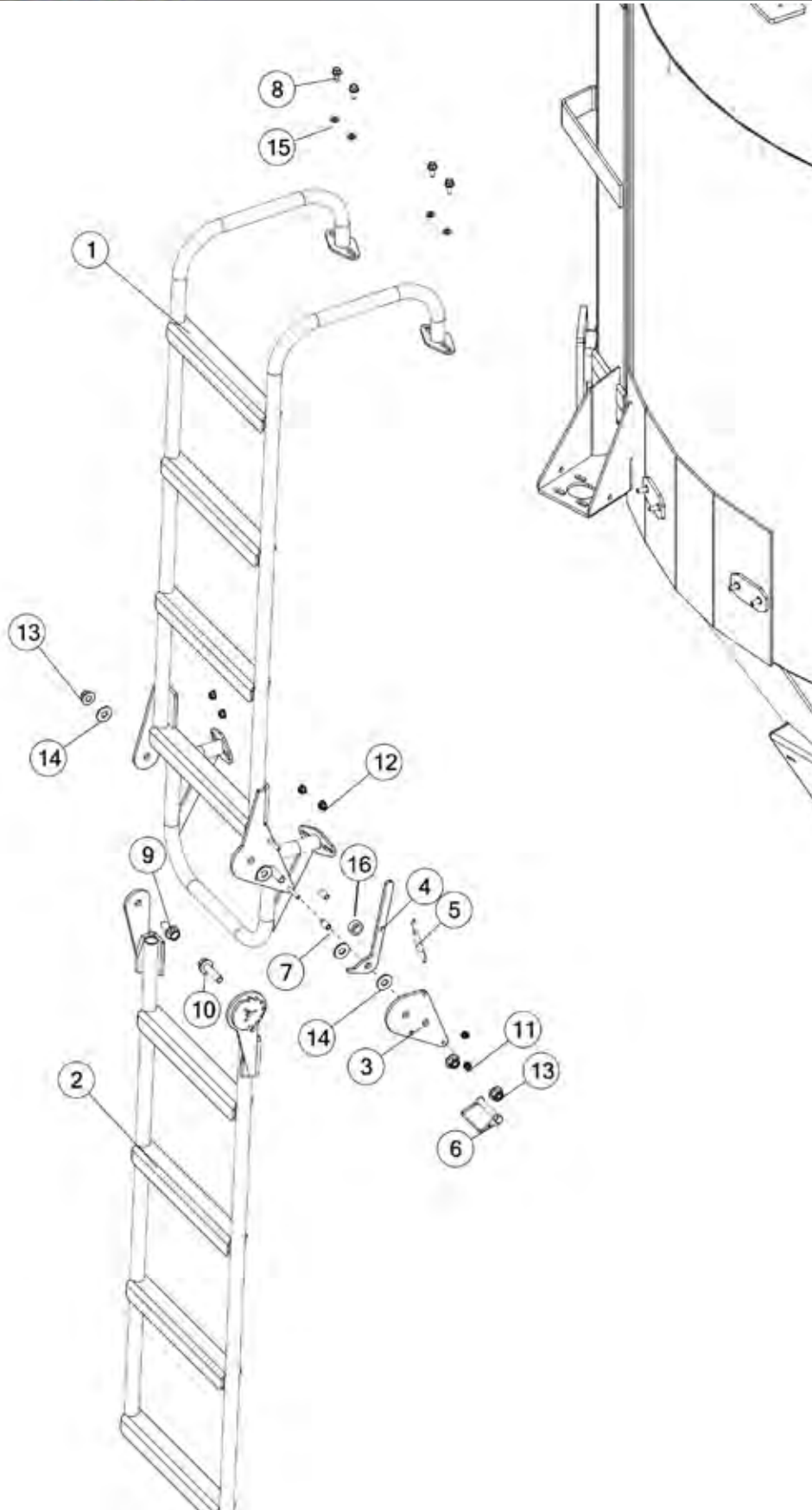
**FIGURE 12**  
**YOKE AND TUBE COMPONENTS**

REF #	PART #	DESCRIPTION	QTY
1	60659	PILLOW BLOCK BEARING	2
2	YBCR10010	BOLT CARRIAGE, 5/16 X 1 G5	8
3	YNFG10005	NUT FLANGE, 5/16 GF	6
4	87540	DRIVE SHAFT	1
5	82732	YOKE, IMPLEMENT, 1.5IN BORE	2
6	16SV179	CROSS KIT, 35R	2
7	82738	YOKE, TUBE, SLIP SLEEVE	1
8	82744	YOKE AND SHAFT	1
9	86580	GEARBOX	1
10	74241	GEAR BRACKET RH	1
11	73713	GEAR BRACKET LH	1
12	12V62	SNAP RING, 1-1/2 HD EXTERNAL	2
13	YNFG16003	NUT FLANGE, 1/2 GF	20
14	PB87	SQUARE KEY, 3/8 X 2	1
15	YSSO12005	SCREW SET, SOCKET, 3/8 X 1/2	2
16	YBFB10350	BOLT FLANGE, 5/16 X 3-1/2 G8	2
17	YWFL16015	WASHER FLAT, 1/2 G8	12
18	YBCR16030	BOLT CARRIAGE, 1/2 X 2-1/2 G5	4
19	YBFB16100	BOLT FLANGE, 1/2 X 1 G5	8
20	YBCR16005	BOLT CARRIAGE, 1/2 X 1 G5	4





# FIGURE 13 LADDER AND COMPONENTS





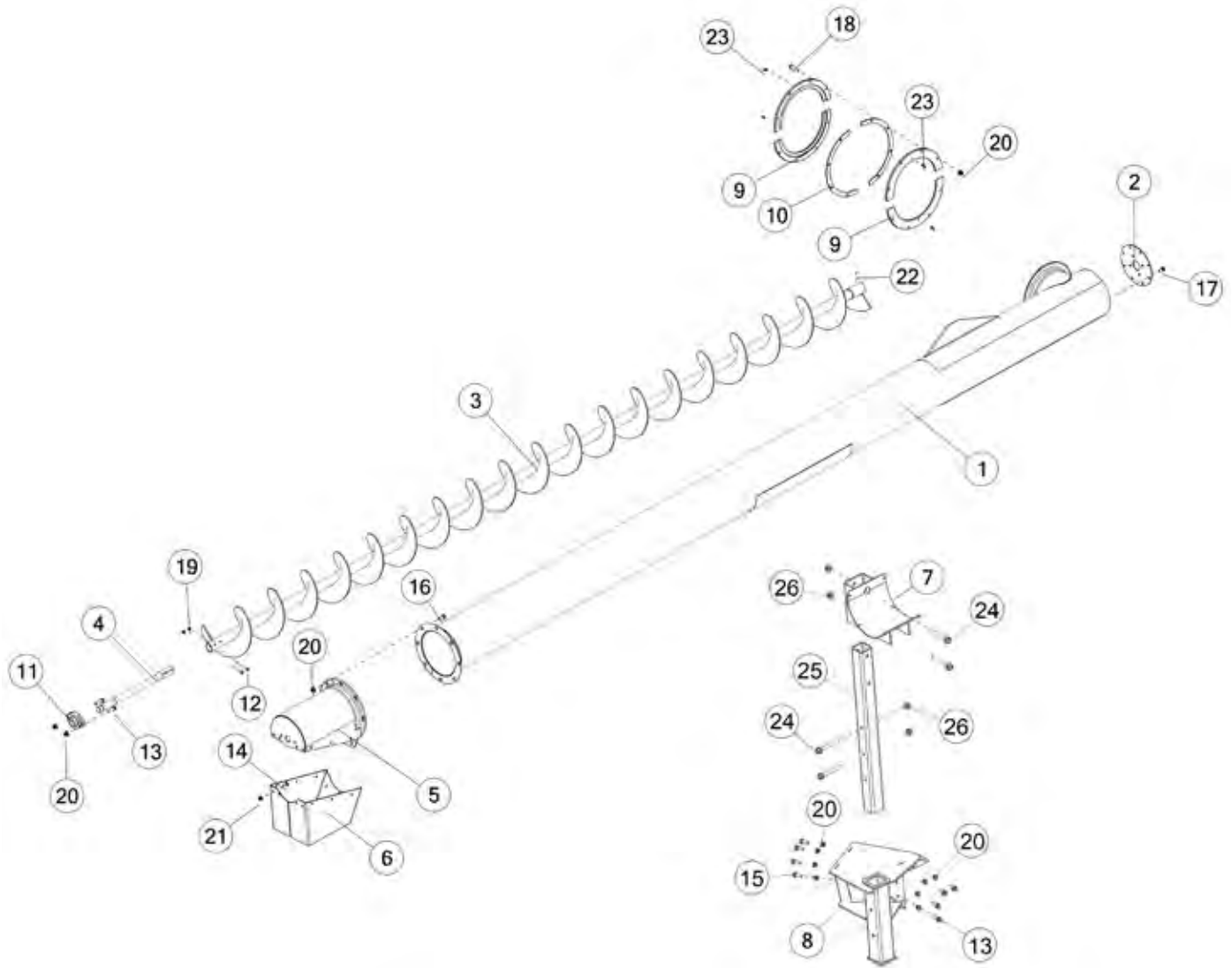
**FIGURE 13**  
**LADDER AND COMPONENTS**

REF #	PART #	DESCRIPTION	QTY
1	85484	TANK LADDER	1
2	85798	LOWER LADDER	1
3	86391	LADDER BRACKET	1
4	86388	DOG CLUTCH	1
5	GM208	LATCH SPRING	1
6	DWM191	SNAPPER PIN, 3/8 X 2-3/4	1
7	86404	SPACER	2
8	YBFB10075	BOLT FLANGE, 5/16 X 3/4 G5	4
9	YBFB16125	BOLT FLANGE, 1/2 X 1-1/4 G5	1
10	YBFB16200	BOLT FLANGE, 1/2 X 2 G5	1
11	YNFG08010	NUT FLANGE, 1/4 GF	2
12	YNFG10005	NUT FLANGE, 5/16 GF	4
13	YNFG16003	NUT FLANGE, 1/2 GF	2
14	YWFL16005	WASHER FLAT, 1/2	2
15	YWLO10005	WASHER LOCK, 5/16	4
16	80N11	FRONT POST SPACER	1



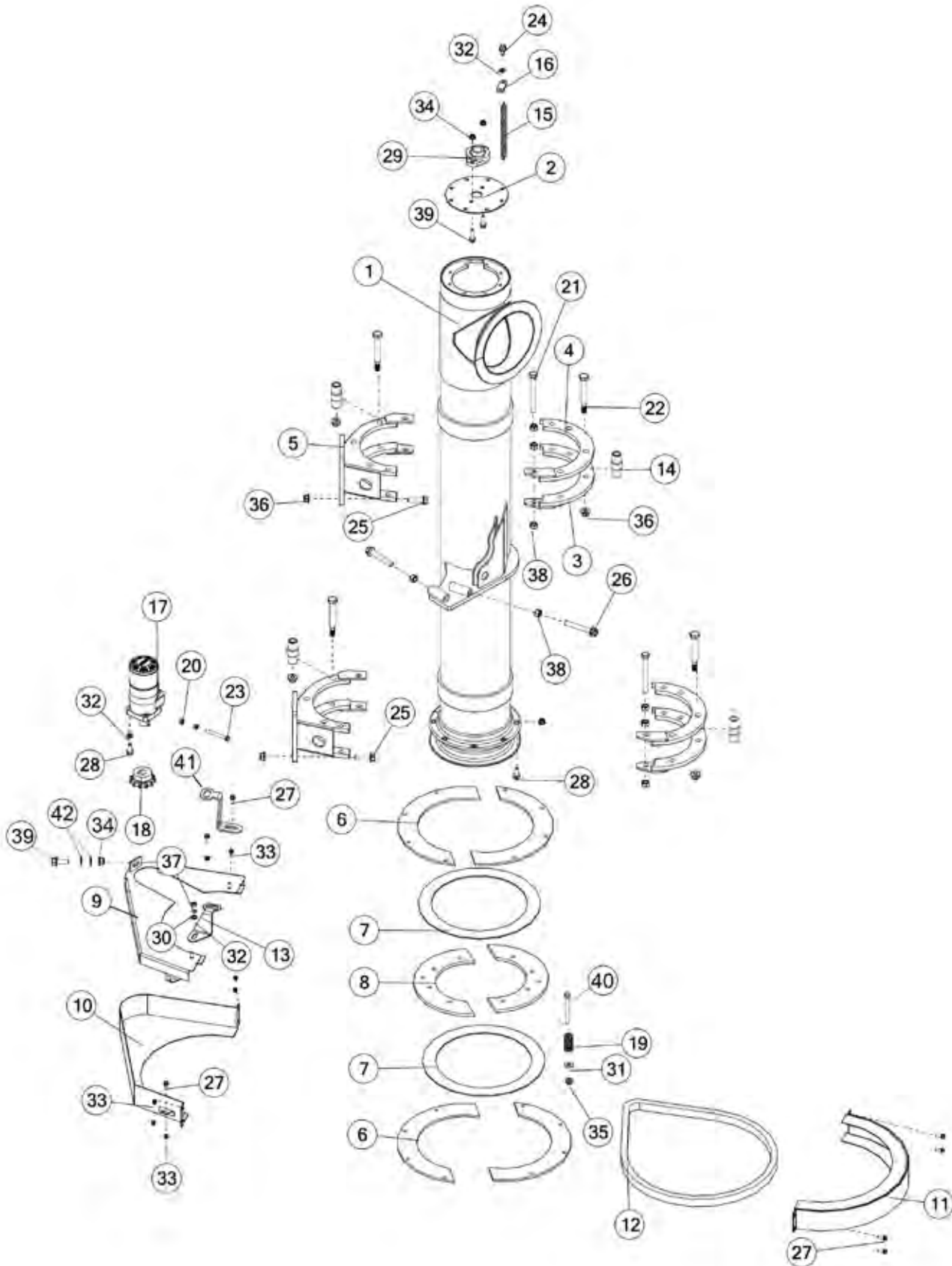


# FIGURE 14 UNLOADING AUGER AND COMPONENTS









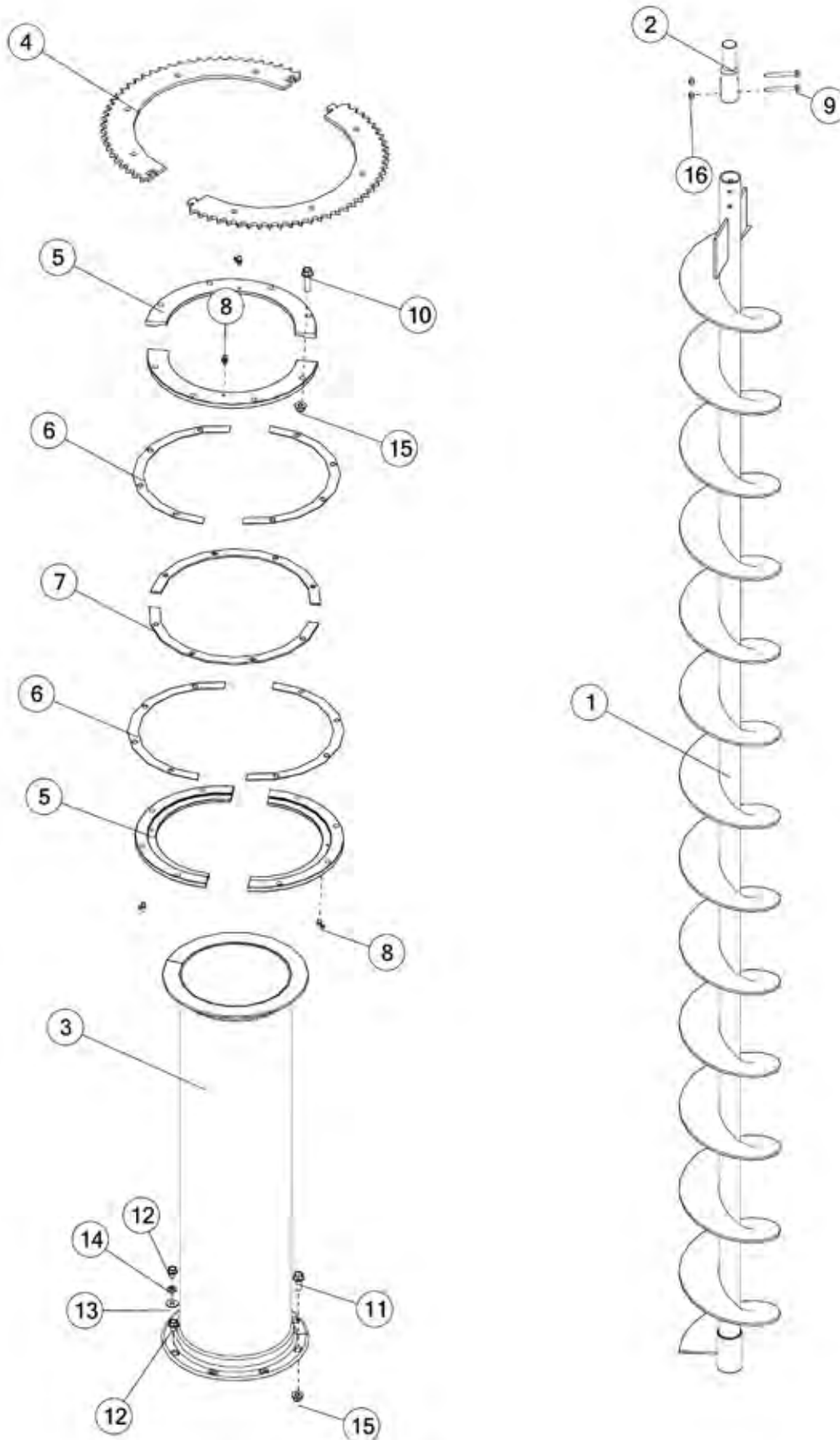


# FIGURE 15

## VERTICAL AUGER TUBE AND COMPONENTS

REF #	PART #	DESCRIPTION	QTY
1	85625	VERTICAL AUGER TUBE	1
2	85932	AUGER INNER IDLE CAP	1
3	GM340	SPLIT RING BOTTOM	2
4	GM341	SPLIT RING TOP	2
5	75386	AUGER, TOP	2
6	GM229	CLUTCH FACE	4
7	GM237	CLUTCH	2
8	GM228	CLUTCH PLATE	2
9	86076	CHAIN SHIELD, TOP	1
10	86078	CHAIN SHIELD, BOTTOM	1
11	75434B	GUARD, RING, OUTER	1
12	84459	ROLLER CHAIN, 60 X 79	1
13	86084	BRACKET GUARD	1
14	GM345	ROLLER	12
15	23N187	SPRING	1
16	GM436	HOSE HOLDER	1
17	81570	HYD MOTOR, 22.6CI	1
18	GM226	AUGER TURN SPROCKET	1
19	WM210	BRAKE SPRING	8
20	YNHX12004	NUT HEX, 3/8 G2	2
21	YBHH16156	BOLT HEX, FT, 1/2-13 X 5 G5 ZC	4
22	GM342	STEP BOLT	12
23	YBHH12099	BOLT HEX, FT, 3/8-16 X 2-1/4 G2 ZC	1
24	YBFB12075	BOLT FLANGE, 3/8 X 3/4 G5	8
25	YBFB16175	BOLT FLANGE, 1/2 X 1-3/4 G5	8
26	YBFB16350	BOLT FLANGE, 1/2 X 3-1/2 G5	2
27	YBFB08075	BOLT FLANGE, 1/4 X 3/4 G5	7
28	YBFB12003	BOLT FLANGE, 3/8 X 1 G5 ZC	12
29	T40	BEARING W/LOCK COLLAR, 1	1
30	YWFL06010	WASHER FLAT, 3/16 USS	1
31	YWFL12005	WASHER FLAT , 3/8 G5	8
32	YWLO12005	WASHER LOCK, 3/8	8
33	YNFG08010	NUT FLANGE, 1/4 GF	7
34	YNFG10005	NUT FLANGE, 5/16 GF	3
35	YNFG12006	NUT FLANGE, 3/8 GF	16
36	YNFG16003	NUT FLANGE, 1/2 GF	20
37	YNHX10005	NUT HEX, 5/16 G2	1
38	YNHX16004	NUT HEX, 1/2	12
39	YBFB10125	BOLT FLANGE, 5/16 X 1-1/4 G5	3
40	YBHH12160	BOLT HEX, 3/8 X 3-3/4 G5	8
41	81898	BRACKET GUARD	1
42	YWFL12010	WASHER FLAT, 3/8 G8	2

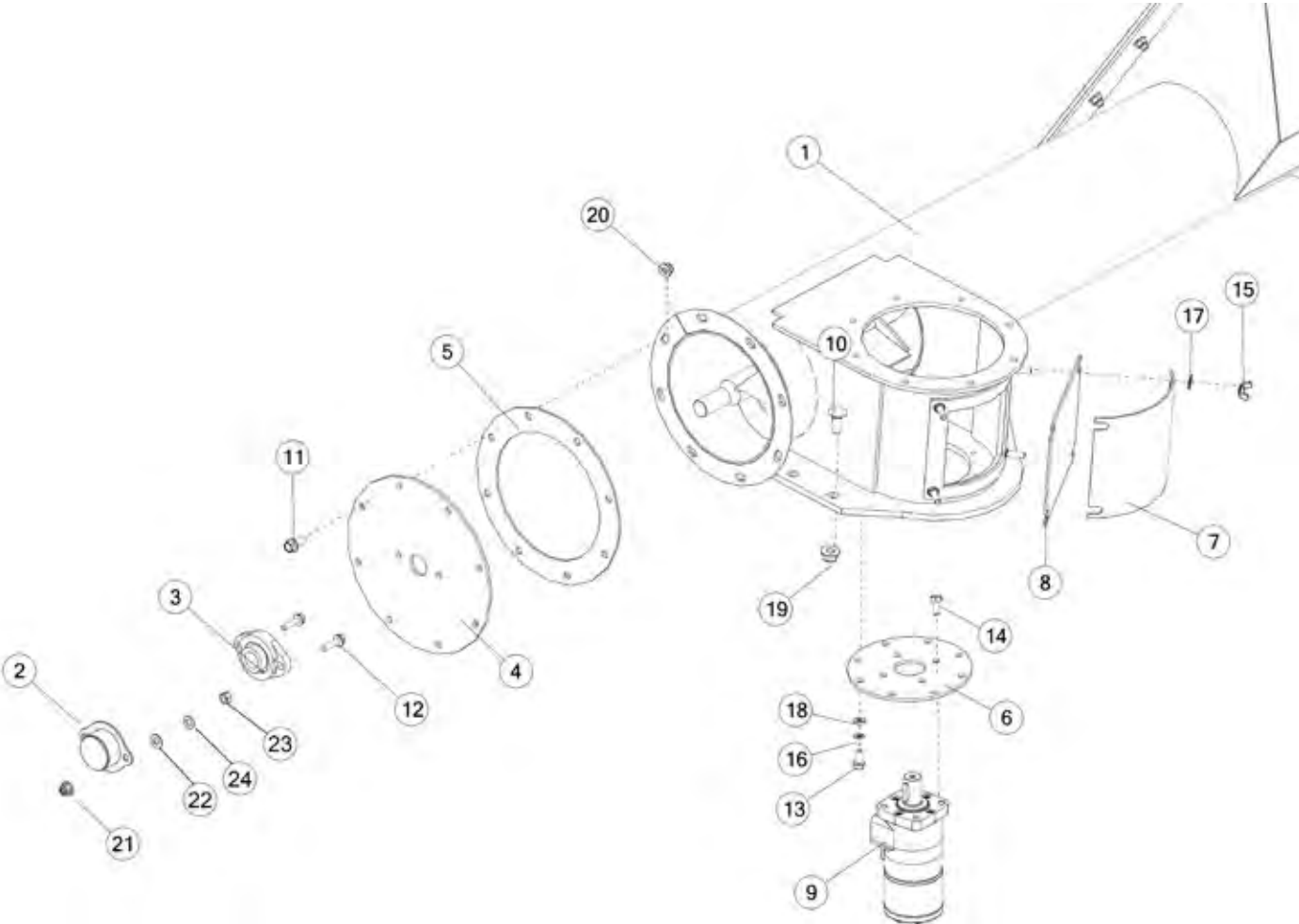








# FIGURE 17 AUGER HOUSING AND COMPONENTS



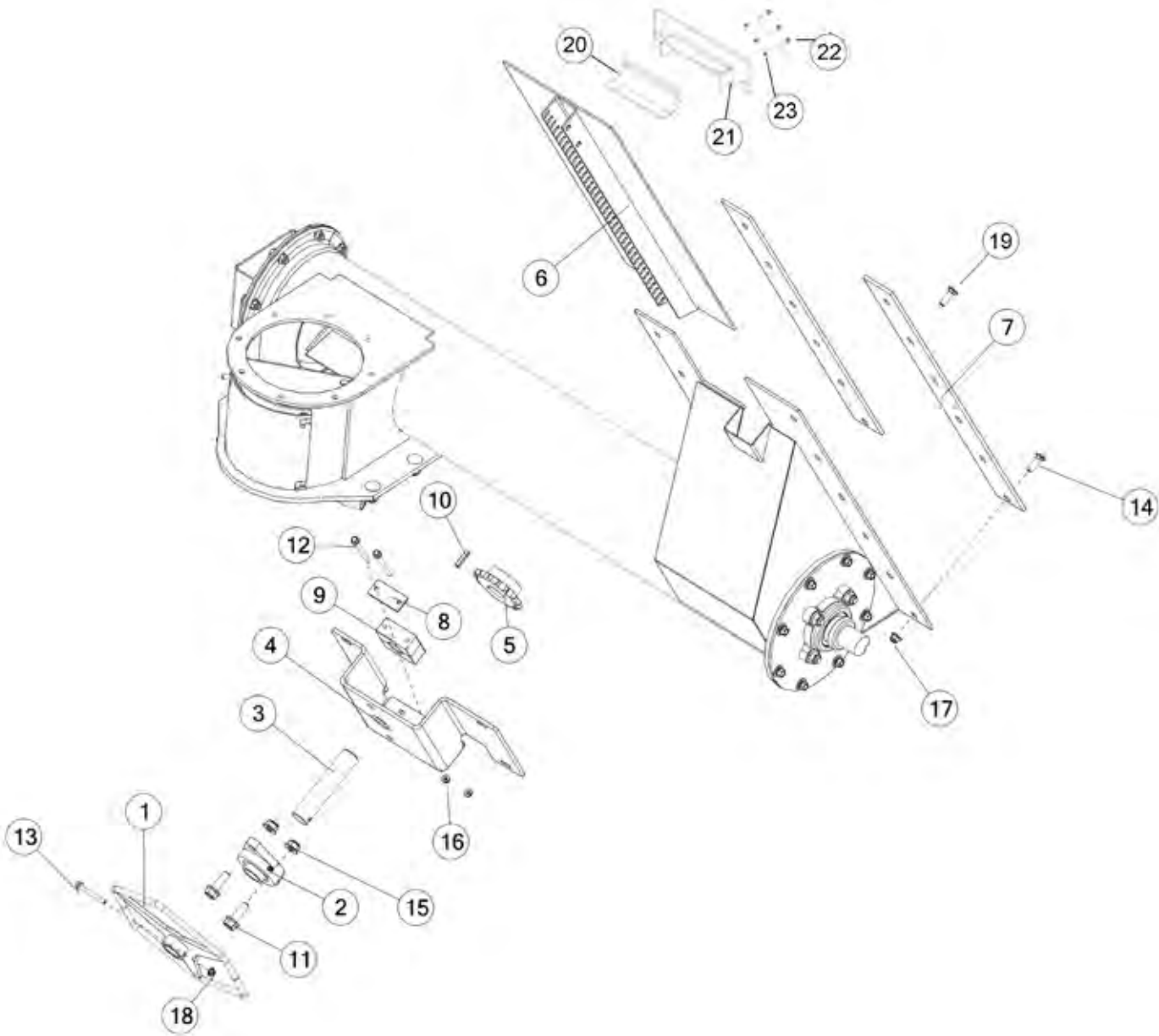


# FIGURE 17

## AUGER HOUSING AND COMPONENTS

REF #	PART #	DESCRIPTION	QTY
1	85488	AUGER HOUSING, ASSY	1
2	89622	SHAFT SHIELD	1
3	T40	BEARING, 2 BOLT, 1 BORE W/COLLAR	1
4	78254	AUGER COVER	1
5	74281	SHIM	1
6	81642	AUGER INNER DRIVE CAP	1
7	80194B	STL PANEL, CLEANOUT DOOR	1
8	84174	GASKET, CLEANOUT	1
9	85344	HYD MOTOR	1
10	YBCR16015	BOLT CARRIAGE, 1/2-13 X 1-1/4 G5 ZC	4
11	YBFB12003	BOLT FLANGE, 3/8 X 1 G5	8
12	YBFB10125	BOLT FLANGE, 5/16 X 1-1/4 G5	2
13	YBFB10075	BOLT FLANGE, 5/16 X 3/4 G5	8
14	YBHH12135	BOLT HEX, 3/8-16 X 3/4 G5	4
15	YNWG10005	NUT WING, 5/16-18 NA ZC	4
16	YWLO10005	WASHER, LOCK, 5/16	8
17	YWFL10005	WASHER, FLAT, 5/16 USS	4
18	YWFL10010	WASHER, FLAT, 5/16 SAE G8 YZ	8
19	YNFG16003	NUT FLANGE, 1/2 GF	4
20	YNFG12006	NUT FLANGE, 3/8 GF	8
21	YNFG10005	NUT FLANGE, 5/16 GF	2
22	YWFL12010	WASHER FLAT, 3/8 G8	2
23	YNHX12005	NUT HEX, 3/8 G2	2
24	YWLO12005	WASHER LOCK, 3/8	2





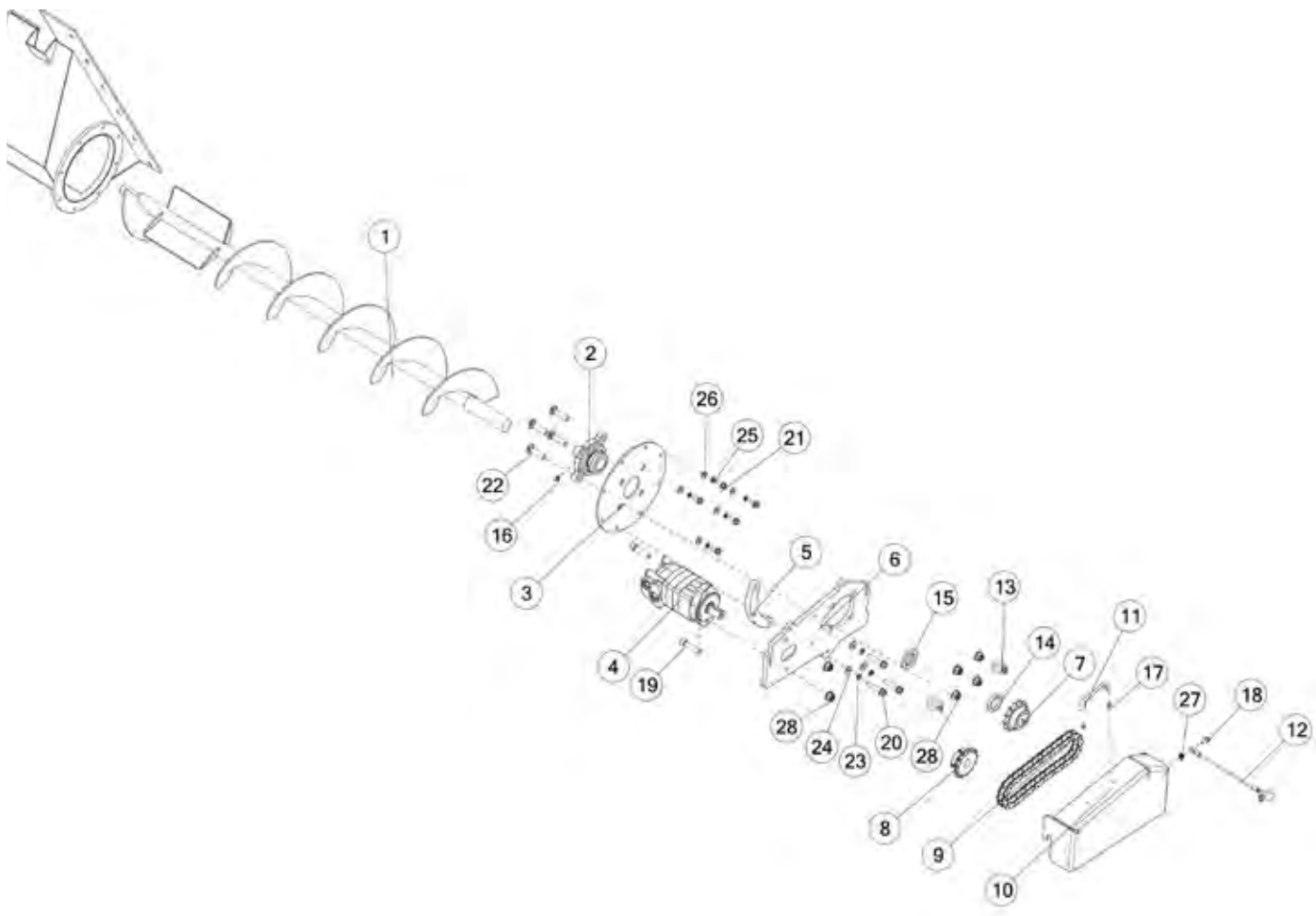






# FIGURE 19

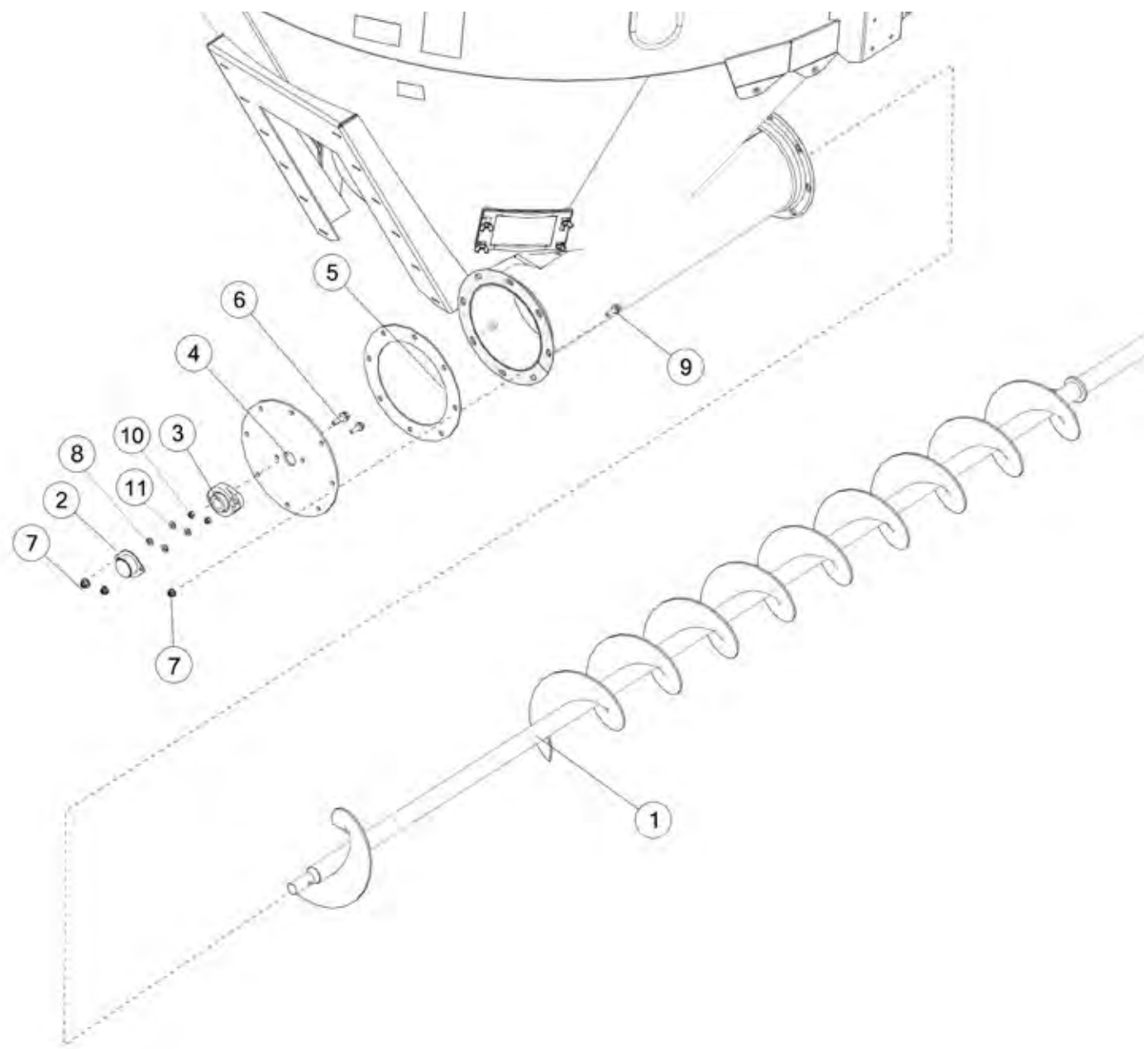
## HORIZONTAL AUGER AND COMPONENTS







# FIGURE 20 TRANSFER AUGER AND COMPONENTS

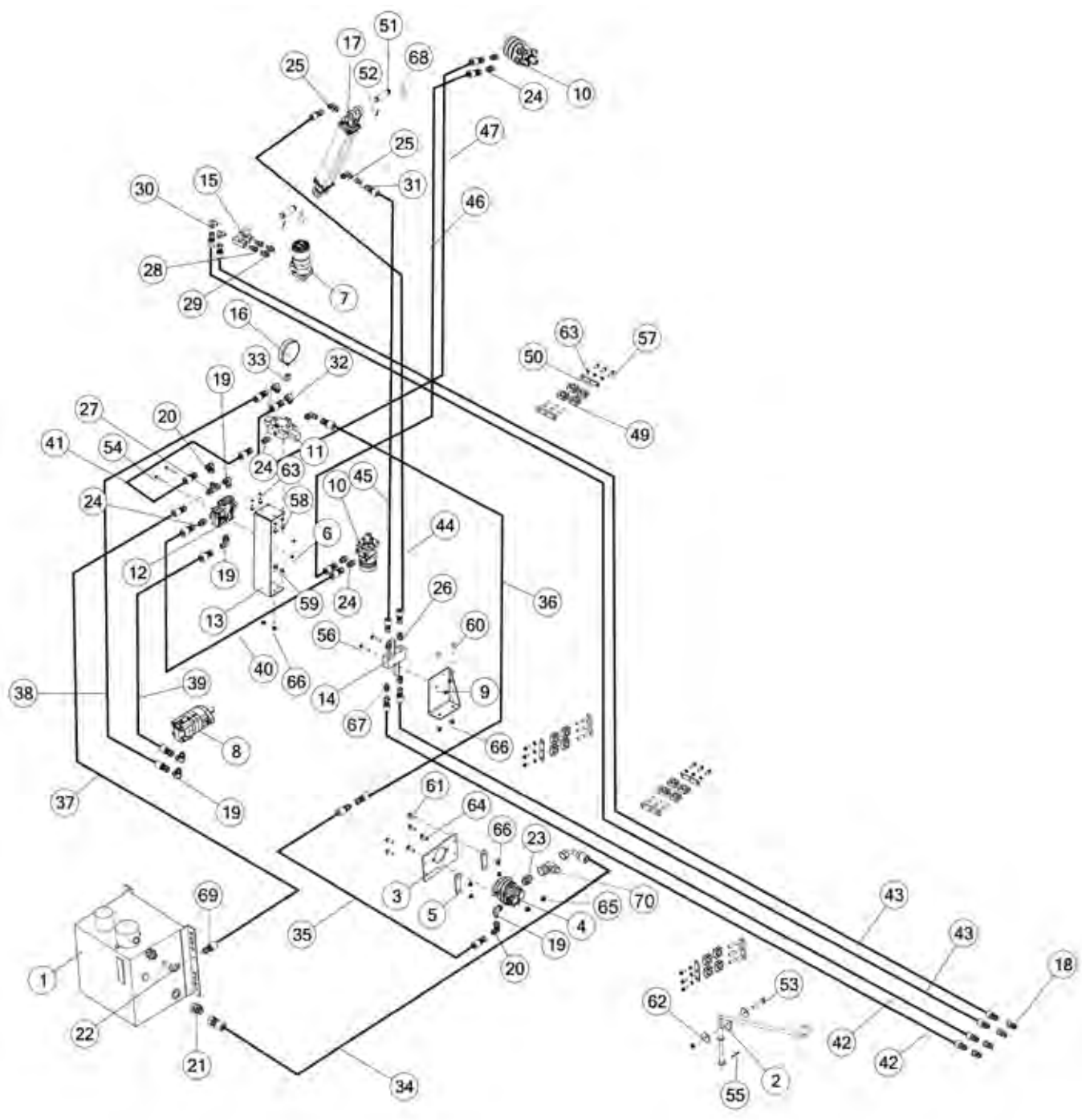






# FIGURE 21

## HYDRAULICS





# FIGURE 21

## HYDRAULICS

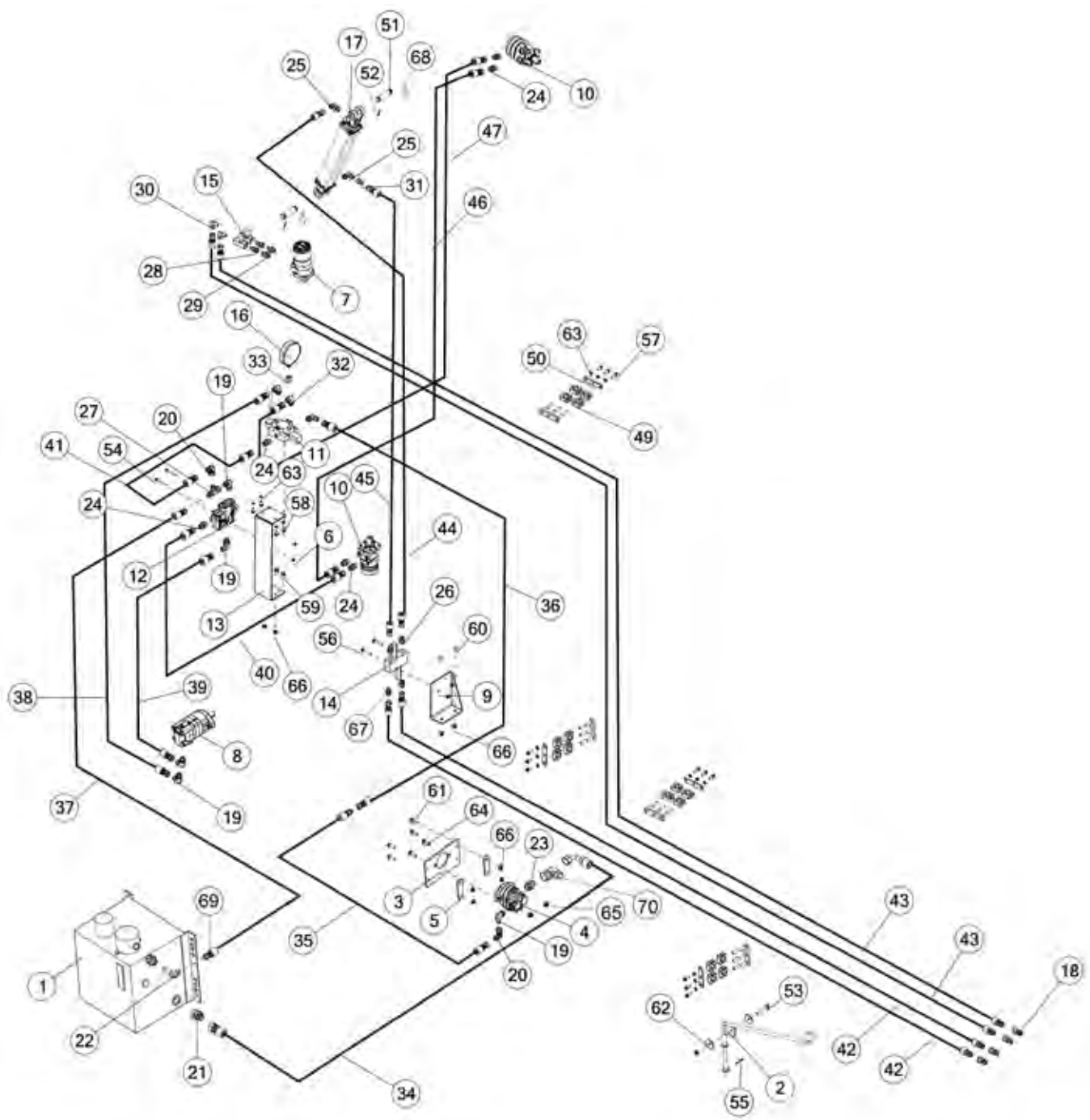
REF #	PART #	DESCRIPTION	QTY
1	81577	HYD TANK, 12GAL	1
2	GM440	GRINDER HOSE HOLDER	1
3	81618	HYD PUMP BRACKET	1
4	81560	HYD PUMP	1
5	81620	PUMP SHIM, .19	2
6	YNFG08010	NUT FLANGE, 1/4 GF	2
7	81570	HYD MOTOR, 22.6CI	1
8	81565	HYD MOTOR, 6.2CI	1
9	84333	HYD VALVE BRKT	1
10	85344	HYD MOTOR, 10.1CI	2
11	81576	HYD VALVE, CONTROL	1
12	GM20	FLOW CONTROL	1
13	84297	CONTROL BRACKET	1
14	81571	HYD VALVE, CROSS PORT	1
15	CHM265	F600S PARKER COLOR FLOW NEEDLE VALVE	2
16	84937	HYD VALVE, GAUGE	1
17	78777	HYD CYLINDER, 2.5 X 18, ORB	1
18	67148	FITTING, ST, 8ORB, QUICK COUPLER TIP	3
19	GM56	FITTING 90, 10JIC X 10ORB	5
20	83997	FITTING 90, 10 JIC, 10 JIC	2
21	81644	FITTING, ST, 16JIC, 20NPT	1
22	84342	MALE ELBOW, 37DEC/NPT	1
23	TFM23	FITTING STRAIGHT, 16JIC X 16ORB	1
24	GM57	FITTING, ST, 10JIC, 10ORB, STL	6
25	TS135	FITTING, ELBOW, 8-C5OX-S	2
26	TS137	FITTING, ST, 8 JIC, 8 ORB, STL	2
27	GM55	FITTING, TEE, 10JIC X 10JIC X 10JIC	1
28	84724	MALE CONNECTOR 37 DEG SWIVEL	2
29	GM27	FITTING, ST, 8JIC, 10ORB, STL	2
30	TS136	FITTING, 90, 8JIC X 3/8NPT	2
31	58177	ORIFICE, 8-XHX7-S .062	2
32	83733	FITTING, 90, 10JIC X 8ORB	1
33	82668	FITTING, ST, 8ORB, 1/4NPT, STL	1
34	93851	HYD HOSE, 16, 70IN	1
35	93853	HYD HOSE, 10, 278IN	1
36	83844	HYD HOSE, 10, 254IN	1
37	83849	HYD HOSE, 10, 162IN	1
38	85986	HYD HOSE, 10, 40IN	1
39	83851	HYD HOSE, 10, 24IN	1





# FIGURE 21

## HYDRAULICS





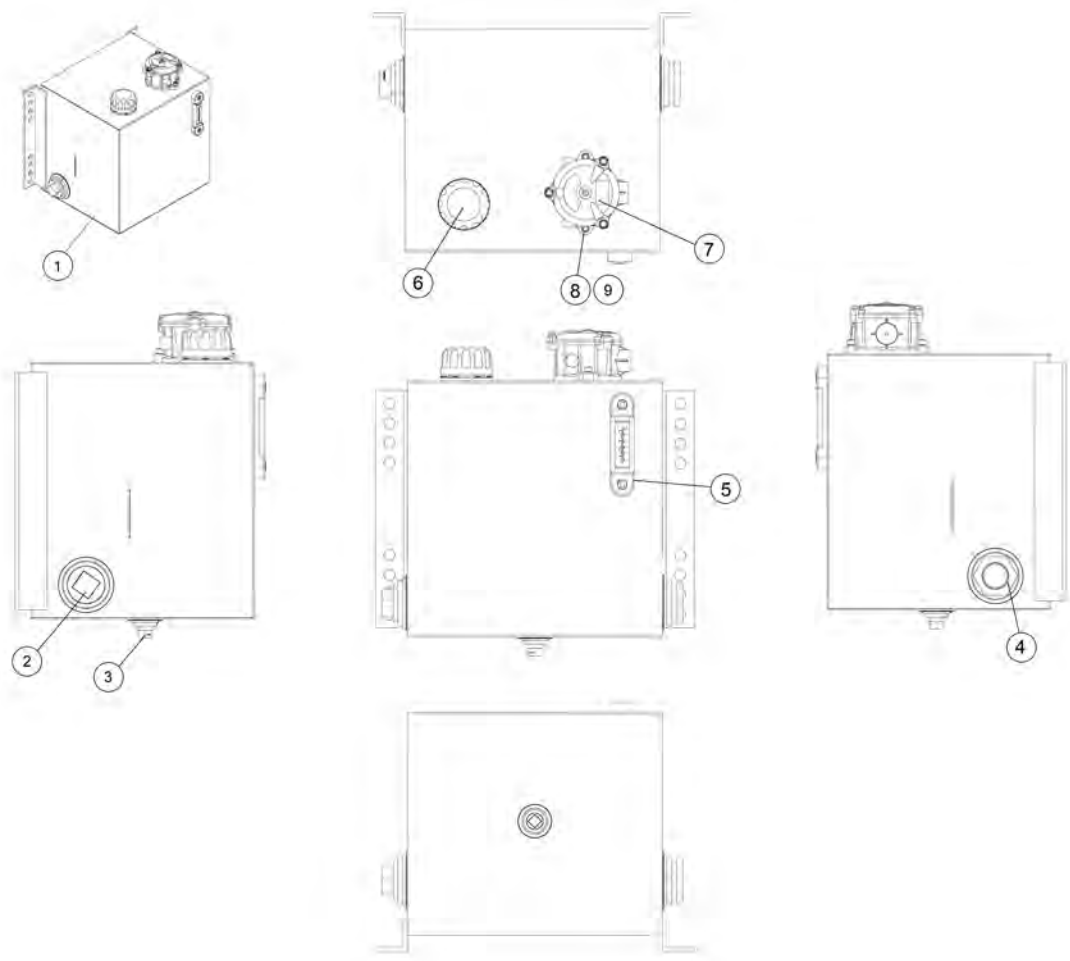


# FIGURE 21

## HYDRAULICS

REF #	PART #	DESCRIPTION	QTY
40	83850	HYD HOSE, 10, 36IN	1
41	84731	HYD HOSE, 10, 32IN	1
42	83902	HYD HOSE, 8, 251IN	1
43	83903	HYD HOSE, 8, 288IN	1
44	83852	HYD HOSE, 8, 158IN	1
45	83853	HYD HOSE, 8, 172IN	1
46	83846	HYD HOSE, 10, 185IN	1
47	82561	HYD HOSE, 10, 185IN	1
48	82556	HYD HOSE, 10, 185IN	2
49	GM66	HOSE CLAMP INSERT, 1/2	8
50	GM64	TOP PLATE	4
51	T143	HYDRAULIC CYLINDER PIN	2
52	YPCT05010	COTTER PIN, 5/32 X 1-1/2	4
53	YBFB12275	BOLT FLANGE, 3/8 X 2-3/4 G5	1
54	YBFB08250	BOLT FLANGE, 1/4 X 2-1/2 G5	2
55	YPCT06005	COTTER PIN, 3/16 X 1-1/2	1
56	YBFB10200	BOLT FLANGE, 5/16 X 2 G5	2
57	YBFB10001	BOLT FLANGE, 5/16 X 1 G5	12
58	YBFB10075	BOLT FLANGE, 5/16 X 3/4 G5	4
59	YBFB12003	BOLT FLANGE, 3/8 X 1 G5	2
60	YBCR12010	BOLT CARRIAGE, 3/8-16 X 1 G5 ZC	2
61	YBFB12125	BOLT FLANGE, 3/8 X 1-1/4 G5	4
62	YWCU99005	WASHER, CUSTOM, FENDER 3/8 X 2OD	2
63	YWLO1005	WASHER LOCK	12
64	YBCR14007	BOLT CARRIAGE, 7/16-14 X 1-1/2 G5 ZC	2
65	YNFG14011	NUT FLANGE, 7/16 GF	2
66	YNFG12006	NUT FLANGE, 3/8 GF	4
67	TS137	FITTING, ST, 8 JIC, 8 ORB STL	2
68	YPHR02020	HAIR PIN, #23-10	2
69	93280	FITTING STRAIGHT, 1NPT, 1/2NPT	1
70	8021	SWIVEL NUT ELBOW	1

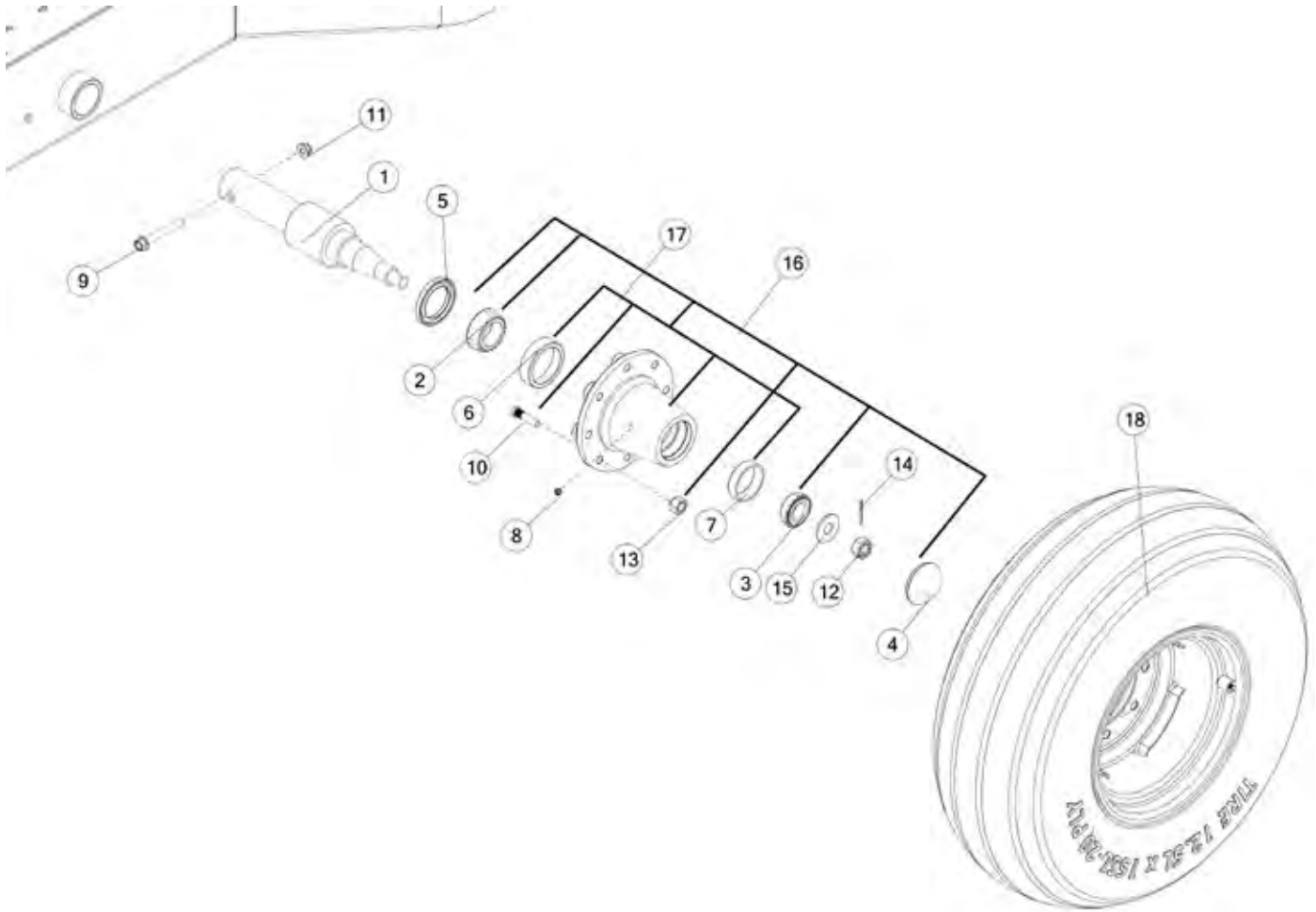








**FIGURE 23**  
**WHEEL AND HUB ASSEMBLY**





# FIGURE 23

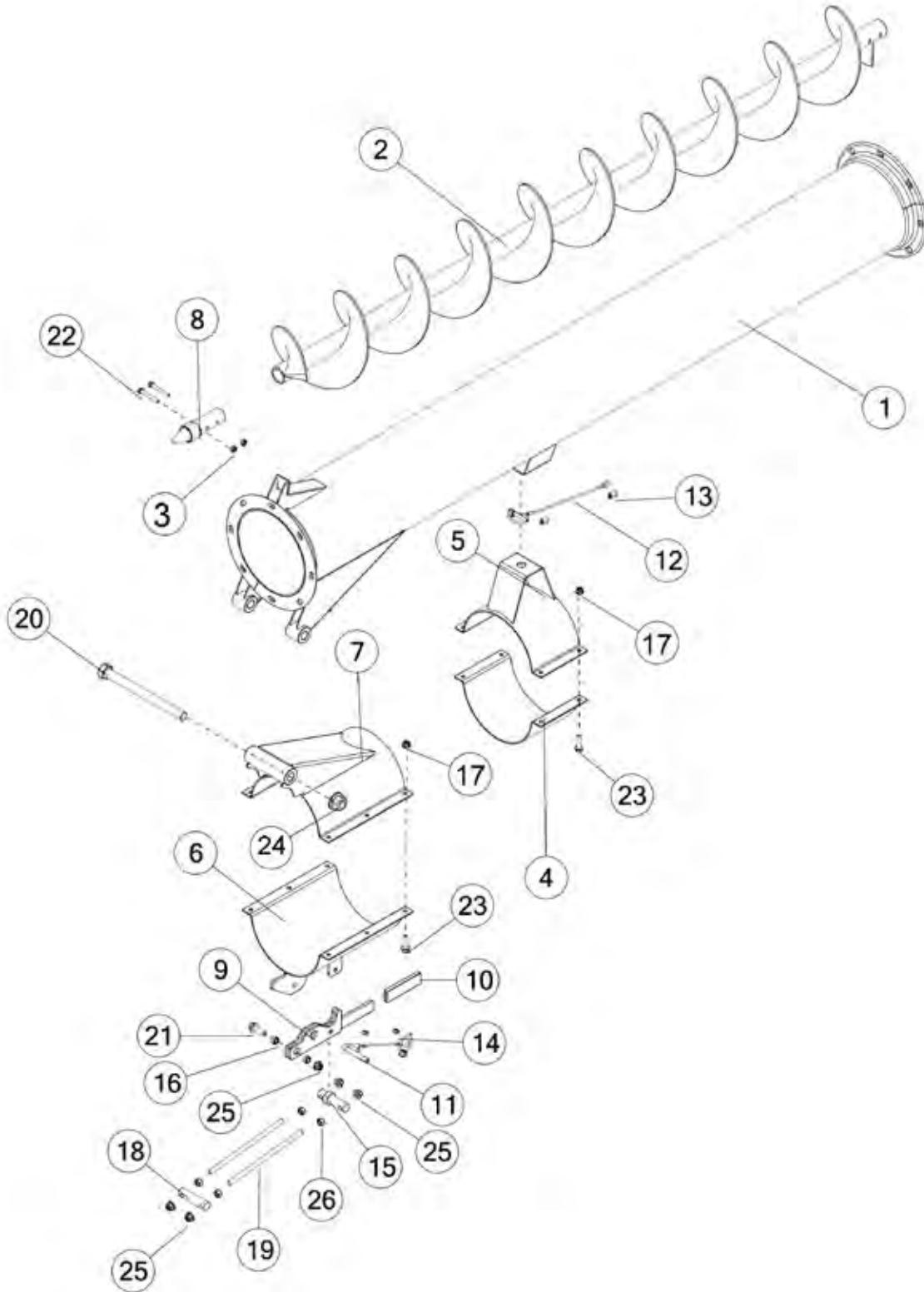
## WHEEL AND HUB ASSEMBLY

REF #	PART #	DESCRIPTION	QTY
1	GM402	SPINDLE LOAD CELL	1
2	53461	INNER BEARING	1
3	53462	OUTER BEARING	1
4	B2	HUB CAP	1
5	B90	GREASE SEAL	1
6	B91A	INNER RACE	1
7	B94A	OUTER RACE	1
8	BFR28	GREASE ZERK, 1/8 NPT	1
9	YBFB16400	BOLT FLANGE, 1/2 X 4 G5	1
10	YBSD20010	BOLT STUD, 5/8 X 2-1/2 G8	8
11	YNFG16003	NUT FLANGE, 1/2 GF	1
12	YNSL28005	NUT HEX, SLOTTED, 7/8 G2	1
13	YNWL20005	NUT WHEEL, 5/8 G5	8
14	YPCT05020	COTTER PIN, 5/32 X 1-1/2	1
15	YWFL28005	WASHER FLAT, 7/8	1
16	16SV398	821 HUB WITH TIMKEN BEARINGS	1
17	53403	HUB WITH RACES OUTER	1
18	78227	TIRE 12.5L-15 ON WHEEL 15 X 10	1





**FIGURE 24**  
**6' FOLDING EXTENSION OPTION (GMOEXT6)**



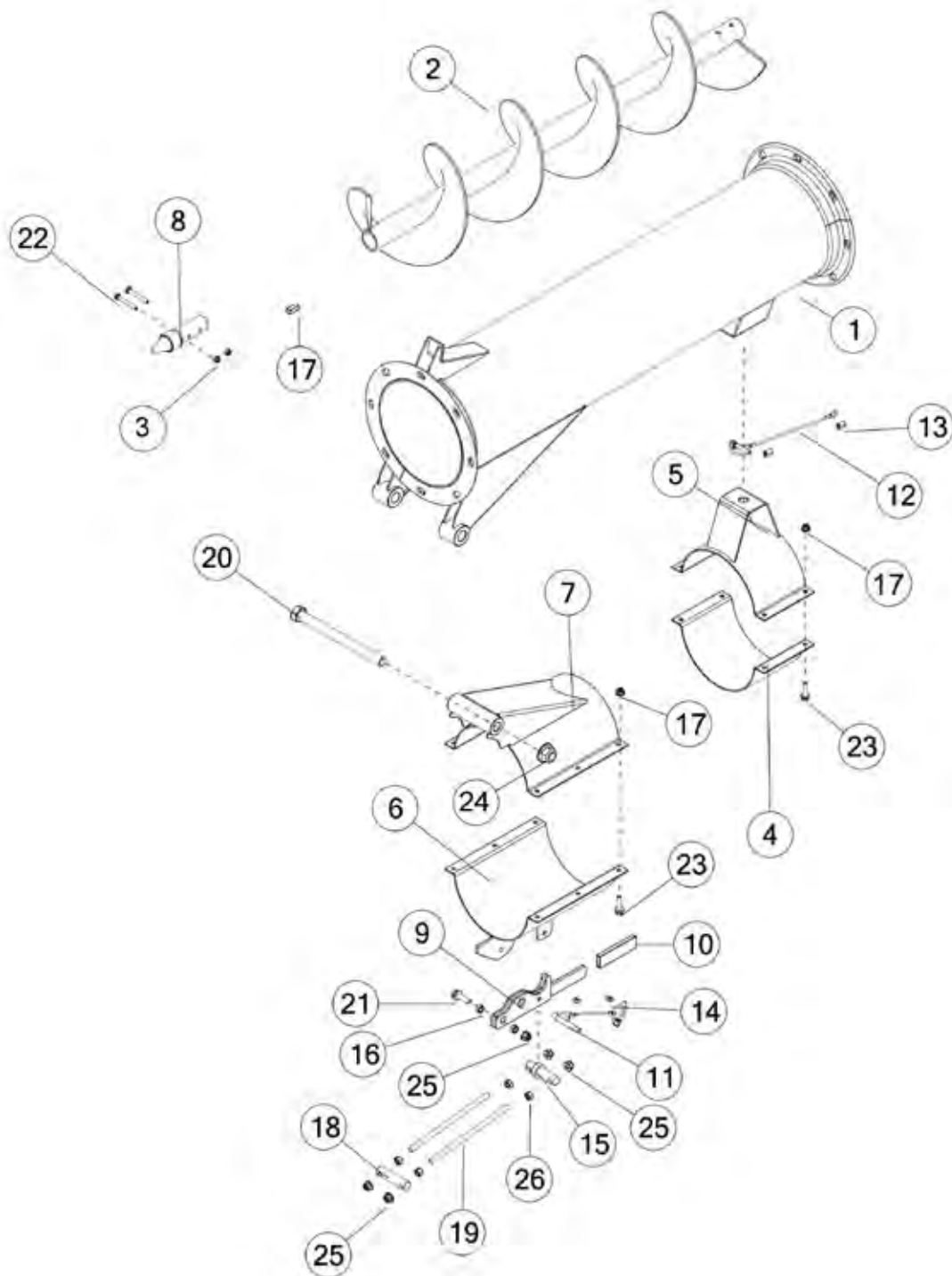


# FIGURE 24

## 6' FOLDING EXTENSION OPTION (GMOEXT6)

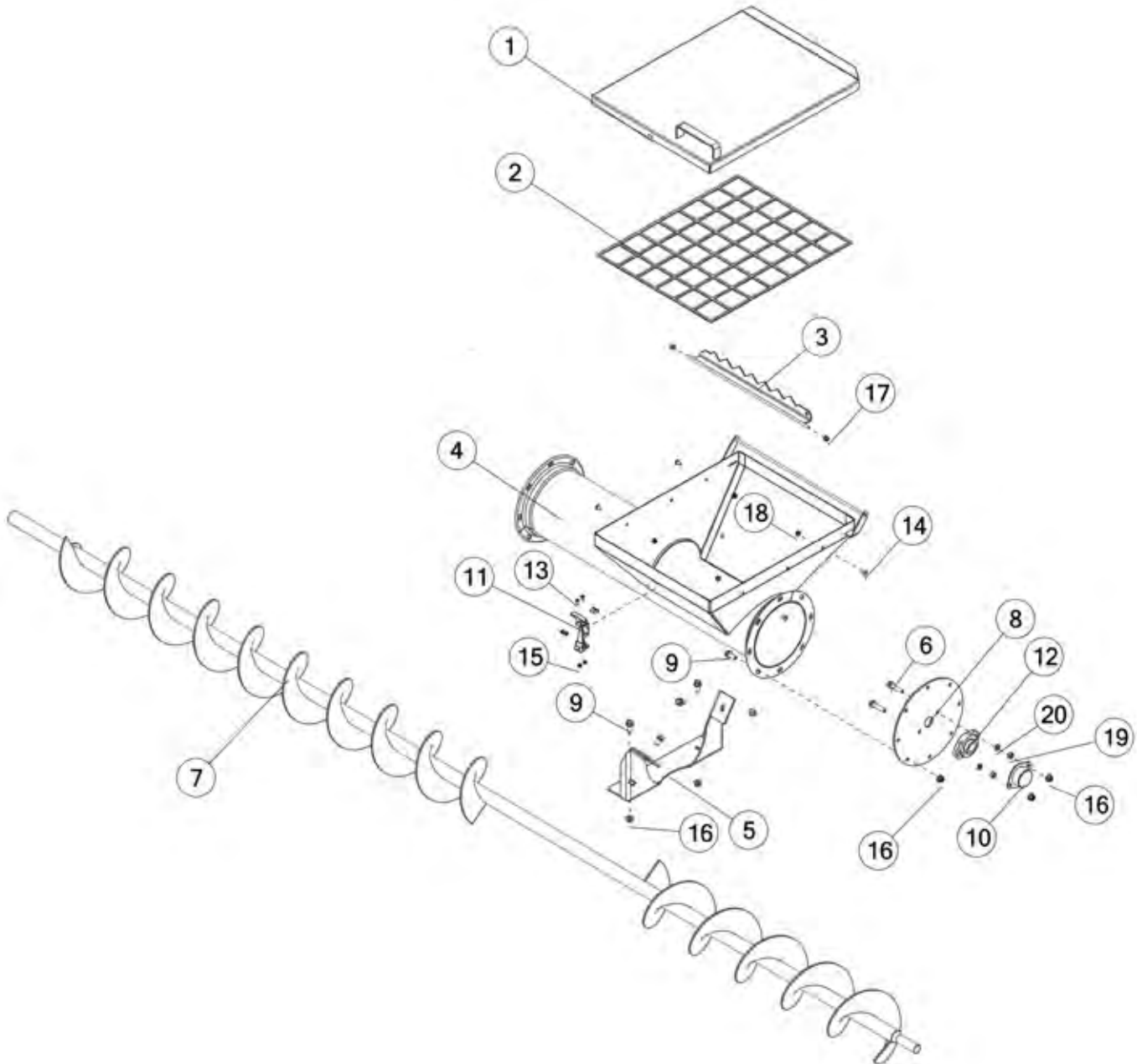
REF #	PART #	DESCRIPTION	QTY
1	GM278	EXTENSION HOUSING, 6FT	1
2	GM531	EXTENSION AUGER, CUPPED FLIGHTING 6FT	1
3	YNNY08005	NUT HEX, 1/4-20 LKNY G2 ZC	2
4	GM289	TRANSPORT LOCK CLAMP	1
5	GM290	TRANSPORT LOCK LATCH	1
6	GM284	LATCH CLAMP	1
7	GM283	PIVOT CLAMP	1
8	GM282	AUGER CONNECT SHAFT	1
9	GM285	LATCH HANDLE	1
10	GM370	HANDLE GRIP	1
11	GM573	LATCH PIN W/CLIP PIN & LANYARD	1
12	S122	LYNCH PIN W/CABLE	1
13	71279	SLEEVE	2
14	ES15	CABLE CLAMP, 1/8	2
15	GM369	LATCH PIVOT PIN	1
16	GM180	DOOR PIVOT	2
17	YNFG10005	NUT FLANGE, 5/16 GF	14
18	GM286	LATCH PIVOT SHAFT	1
19	GM287	LATCH ROD	2
20	YBHH24120	BOLT HEX, 3/4-10 X 9 G5 ZC	1
21	YBFB12125	BOLT FLANGE, 3/8 X 1-1/4 G5	1
22	YBHH08045	BOLT HEX, 1/4 X 2 G5	2
23	YBFB10125	BOLT FLANGE, 5/16 X 1-1/4 G5	10
24	YNFG24006	NUT FLANGE, TOP LOCK, 3/4 GG	1
25	YNFG12006	NUT FLANGE, 3/8 GF	5
26	YNHX12004	NUT HEX, 3/8 G2	4









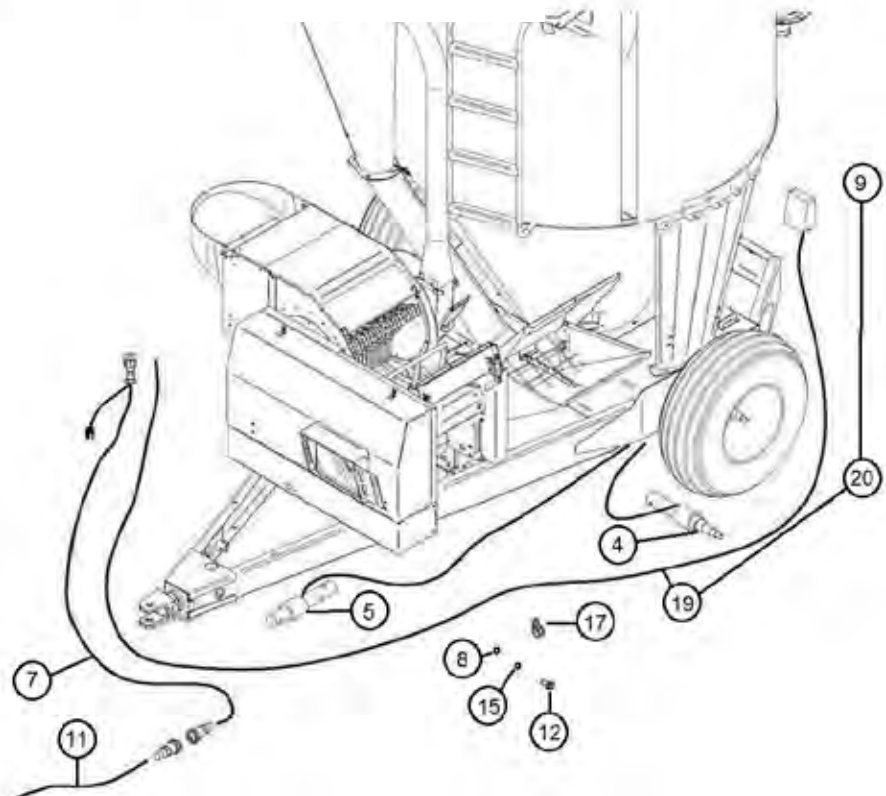
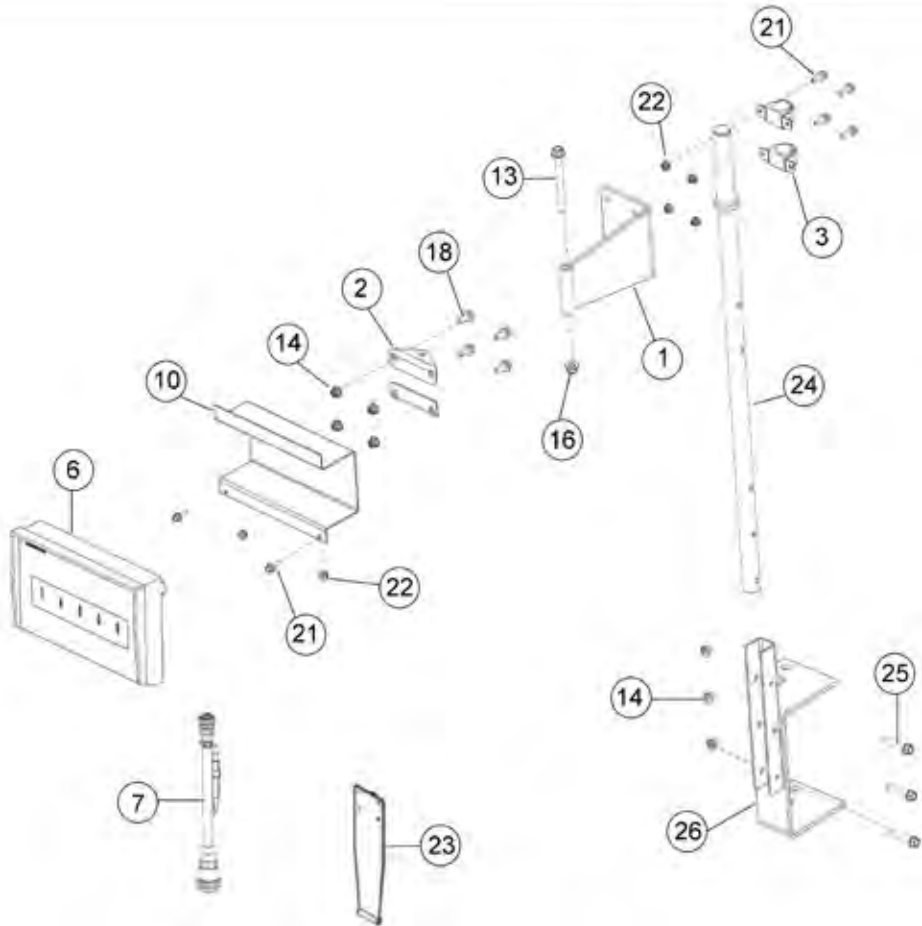




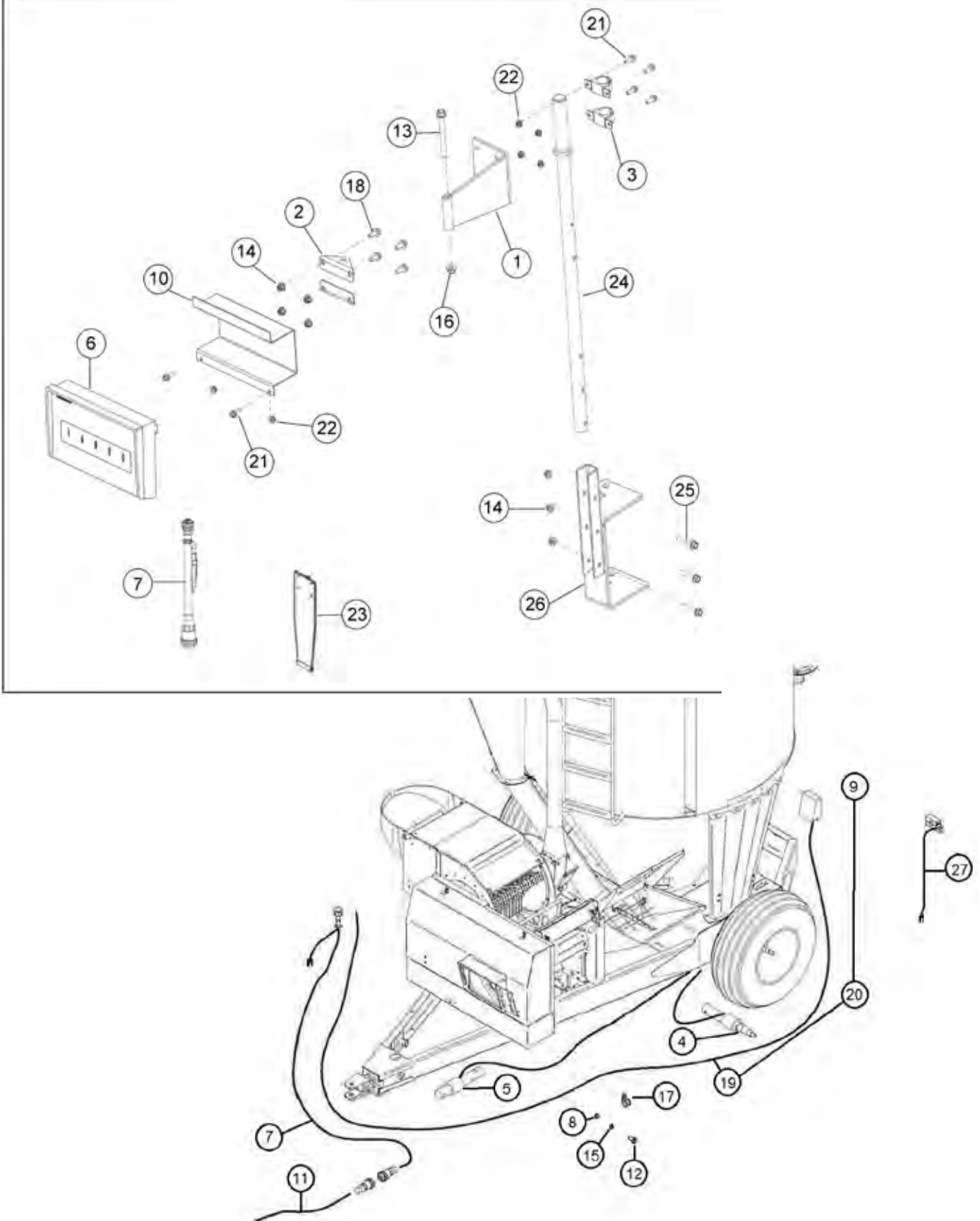


# FIGURE 27

2500 SCALE OPTION (GMOBSSCL)







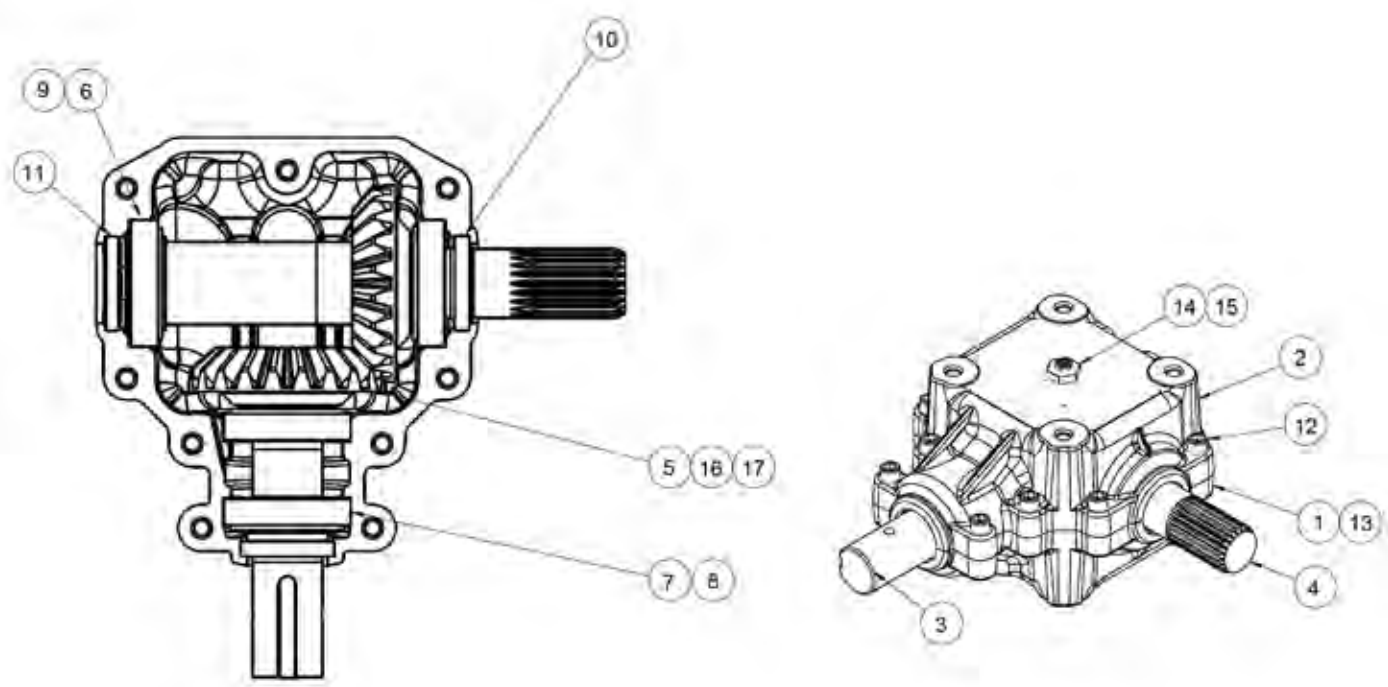


# FIGURE 28

## 3410 SCALE OPTION (GMOPRMSCL)

REF #	PART #	DESCRIPTION	QTY
1	85110	SCALE BRACKET	1
2	GM401	SCALE BRACKET	2
3	92900	TUBE CLAMP	2
4	GM402	SPINDLE LOAD CELL	2
5	GM403	HITCH LOAD CELL	1
6	GM466	SCALE DISPLAY	1
7	77616	ELECTRIC HARNESS, POWER	1
8	YNHX08005	NUT HEX, 1/4	1
9	GM407	JUNCTION BOX	1
10	GM408	SCALE HANGER BRACKET	1
11	16SV269	TRACTOR CONTROL CORD	1
12	YBHH08100	BOLT HEX, 1/4	1
13	YBFB12400	BOLT FLANGE, 3/8 X 4 G5	1
14	YNFG10005	NUT FLANGE, 5/16	7
15	YWLO08005	WASHER LOCK, 1/4	1
16	YNFG12006	NUT FLANGE, 3/8	1
17	HGV162	RUBBER WIRE HOLDER, 1/2	1
18	YBFB10075	BOLT FLANGE, 5/16 X 3/4 G5	4
19	GM406	JUNCTION BOX CORD	1
20	77617	JUNCTION BOX KIT, INCLUDES ITEM 9 & 19	1
21	YBFB08075	BOLT FLANGE, 1/4 X 3/4 G5	6
22	YNFG08010	NUT FLANGE, 1/4	6
23	90847	SCALE BRACKET	1
24	85120	SCALE BRACKET, POST	1
25	YBFB10175	BOLT FLANGE, 5/16 X 1-3/4 G5	1
26	85125	SCALE BRACKET	1
27	57399	HORN ALARM PACK/BRKT	1





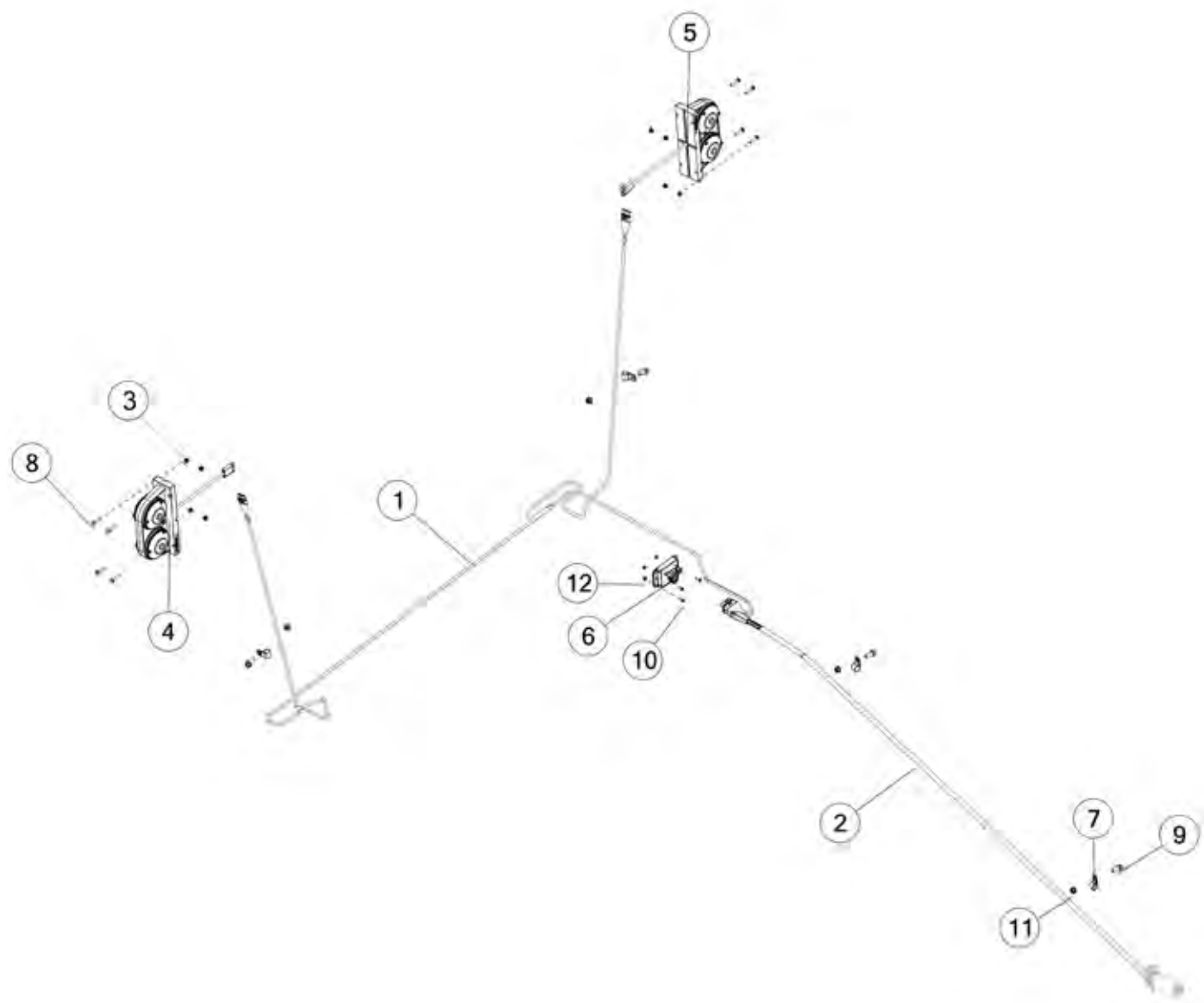






# FIGURE 30

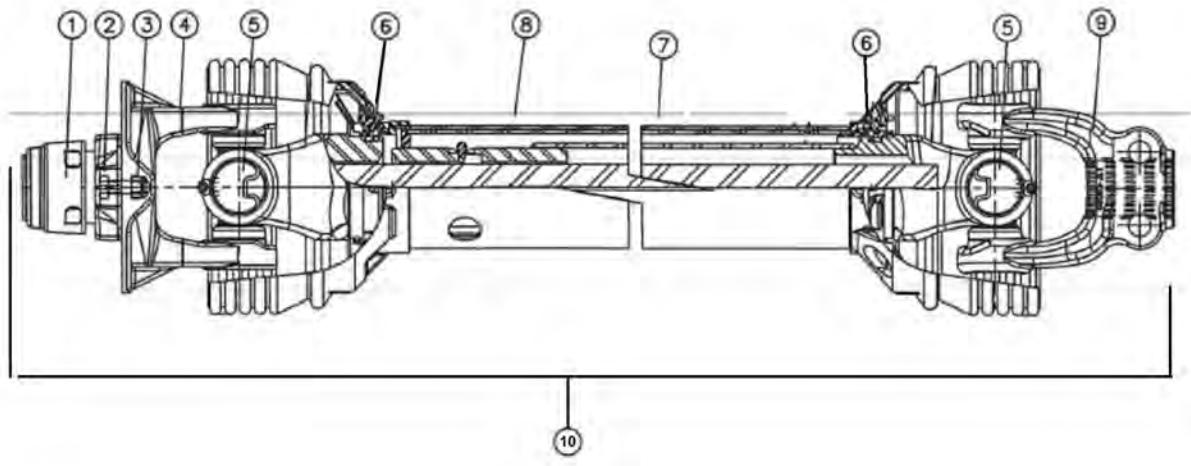
## LIGHTS







**FIGURE 31**  
540 RPM PTO

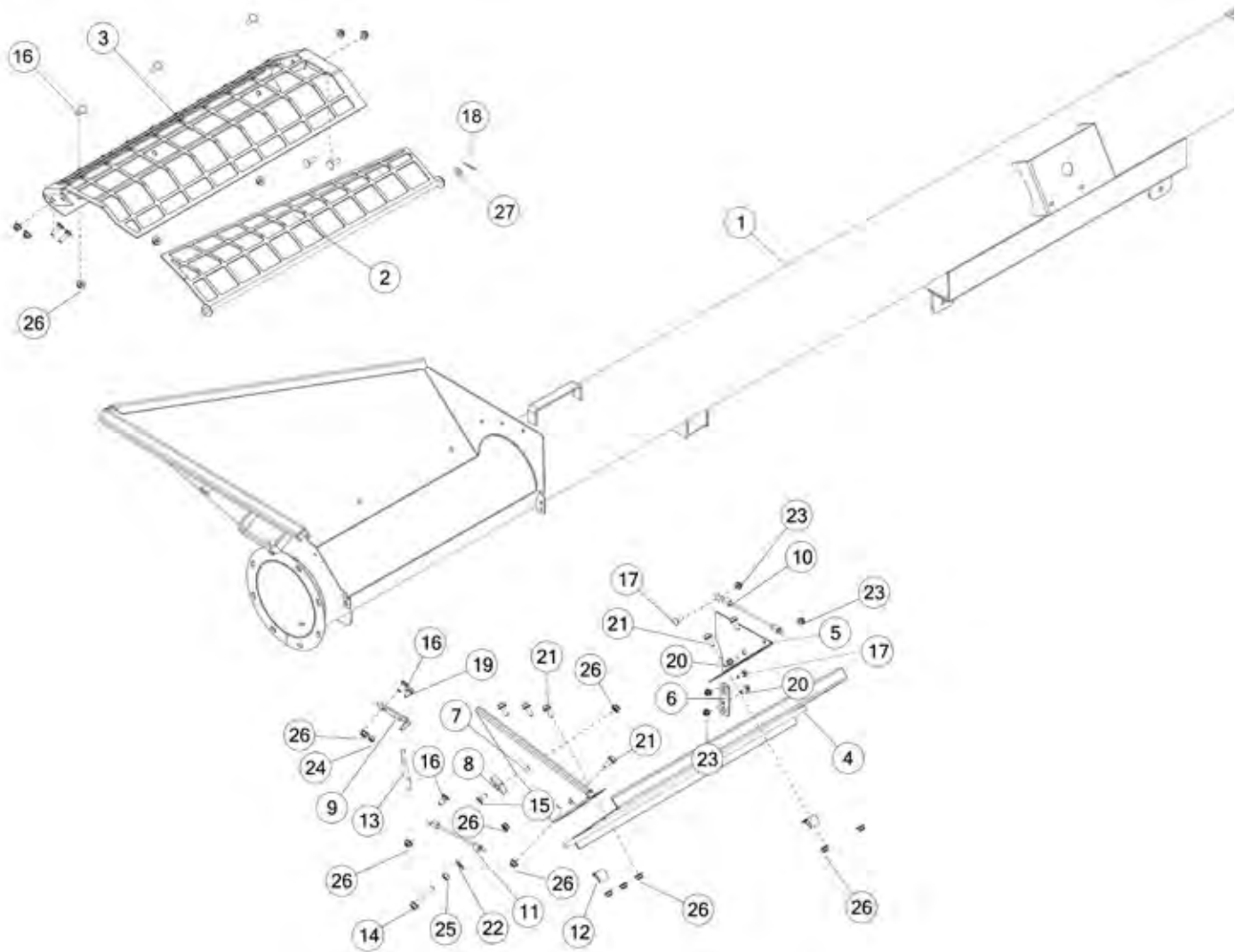






# FIGURE 32

## CONVENTIONAL SWINGING INTAKE AUGER OPTIONAL (RMOSIA)

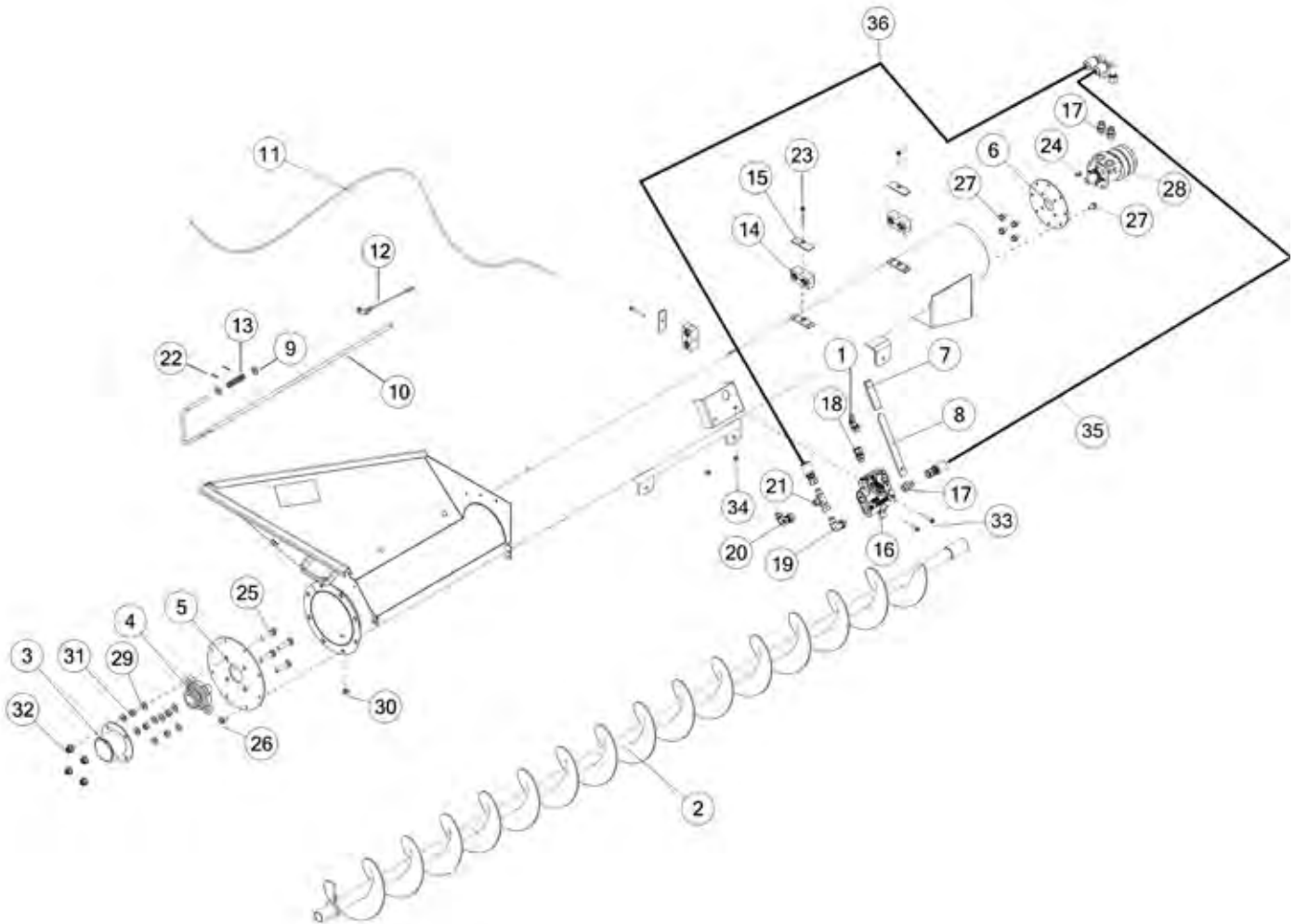






# FIGURE 33

## CONVENTIONAL SWINGING INTAKE AUGER OPTIONAL (RMOSIA)







# FIGURE 33

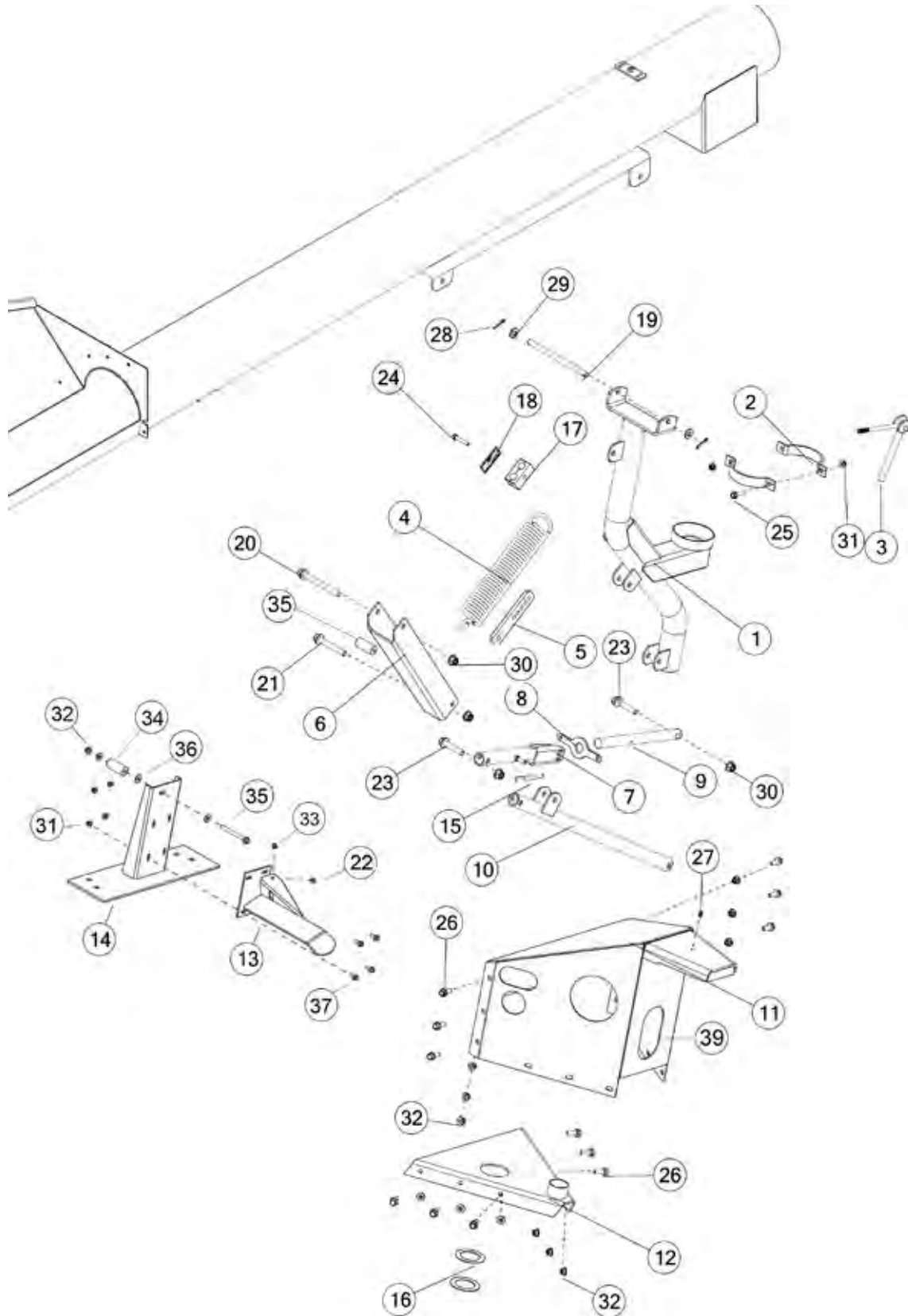
## CONVENTIONAL SWINGING INTAKE AUGER OPTIONAL (RMOSIA)

REF #	PART #	DESCRIPTION	QTY
1	92905	FITTING 45, 10JIC, 10JIC	1
2	91110	8 IN. INFEED AUGER, ASSY	1
3	89611	BEARING FLANGE GUARD	1
4	78670	BALL BEARING, 1.50	1
5	85629	AUGER DRIVE CAP	1
6	GM245	AUGER INNER DRIVE CAP	1
7	GM370	HANDLE GRIP	1
8	89976	HANDLE BRACKET	1
9	YWFL16005	WASHER FLAT, 1/2	2
10	91105	HANDLE LATCH	1
11	GM434	TRIP ROPE	1
12	GM572	LANYARD, CLIP PIN CABLE	1
13	17G128	COIL SPRING	1
14	86579	HOSE CLAMP, DOUBLE, 5/8"	3
15	86581	T4 HOSE CLAMP COVER	3
16	GM20	FLOW CONTROL	1
17	GM57	FITTING, ST, 10JIC, 10ORB, STL	1
18	84907	FITTING, ST, 5/8 JIC, 10 ORB	1
19	GM56	FITTING, 90, 10JIC X 10ORB	1
20	83997	FITTING, 90, 10 JIC, 10 JIC	1
21	GM55	FITTING, TEE, 10JIC X 10JIC X 10JIC	1
22	YPCT06002	COTTER PIN, 3/16 X 1	2
23	YBFB10225	BOLT FLANGE, 5/16 X 2-1/4 G5	3
24	5B10	WOODRUF KEY, 1/4 X 1	1
25	YBCR16023	BOLT CARRIAGE, 1/2-13 X 2-1/4 G5 ZC	4
26	YBFB12003	BOLT FLANGE, 3/8 X 1 G5	8
27	YBFB12075	BOLT FLANGE, 3/8 X 3/4 G5	4
28	78105	HYDRAULIC MOTOR, 7.3CI	1
29	YWFL16010	WASHER FLAT, SAE 1/2	8
30	YNFG12006	NUT FLANGE, 3/8 GF	8
31	YNHX16005	NUT HEX, 1/2-13 NA A ZC	4
32	YNFG16003	NUT FLANGE, 1/2 GF	4
33	YBFB08250	BOLT FLANGE, 1/4 X 2-1/2	2
34	YNFG08010	NUT FLANGE, 1/4	2
35	91113	HYDRAULIC HOSE, 10, 66 1/2	1
36	91114	HYDRAULIC HOSE, 10, 76 1/2	1





# FIGURE 34 CONVENTIONAL SWINGING INTAKE AUGER OPTIONAL (RMOSIA)





# FIGURE 34

## CONVENTIONAL SWINGING INTAKE AUGER OPTIONAL (RMOSIA)

REF #	PART #	DESCRIPTION	QTY
1	GM212	TUBE TROUGH PIVOT	1
2	GM213	BRAKE BAND	2
3	GM217	TIGHTENER ASSY	1
4	GM204	SPRING	1
5	GM206	SPRING ADJUSTMENT	1
6	GM203	SEGMENT LIFT SUPPORT	1
7	GM209	TUBE LIFT ASSY	1
8	GM210	AUGER LIFT LOCK	2
9	GM211	SHAFT LIFT	1
10	GM207	PIVOT LINKAGE	1
11	90998	PIVOT SUPPORT TOP	1
12	91003	SUPPORT PIVOT LOWER	1
13	90693	INFEED SUPPORT BRACKET	1
14	95643	VERTICAL SUPPORT	1
15	GM208	LATCH SPRING	1
16	GM219	PIVOT WASHER	2
17	86579	HOSE CLAMP, DOUBLE, 5/8 (SET OF 2)	2
18	86581	HOSE CLAMP COVER	1
19	GM458	PIVOT PIN (065461)	1
20	YBFB16500	BOLT FLANGE, 1/2 X 5 G5	1
21	YBFB16400	BOLT FLANGE, 1/2 X 4 G5	1
22	YBFB08075	BOLT FLANGE, 1/4 X 3/4 G5	1
23	YBFB16250	BOLT FLANGE, 1/2 X 2-1/2 G5	2
24	YBFB10225	BOLT FLANGE, 5/16 X 2-1/4 G5	1
25	YBFB10125	BOLT FLANGE, 5/16 X 1-1/4 G5	2
26	YBFB12003	BOLT FLANGE, 3/8 X 1 G5	11
27	RG51	ZERK, 90 DEGREE 1/4-28	1
28	YPCT06002	COTTER PIN, 3/16 X 1	2
29	YWFL16010	WASHER FLAT, SAE 1/2	2
30	YNFG16003	NUT FLANGE, 1/2 GF	4
31	YNFG10005	NUT FLANGE, 5/16 GF	4
32	YNFG12006	NUT FLANGE, 3/8 GF	11
33	YNFG08010	NUT FLANGE, 1/4 GF	1
34	90244	CYLINDER SPACER	1
35	YBFB12350	BOLT FLANGE, 3/8 X 3-1/2 G5	1
36	YWFL12005	FLAT WASHER, 3/8	3
37	YBFB10075	BOLT FLANGE, 5/16 X 3/4	5
38	GM205	SPACER	1
39	93717	EDGING, 3 X 6.875	1

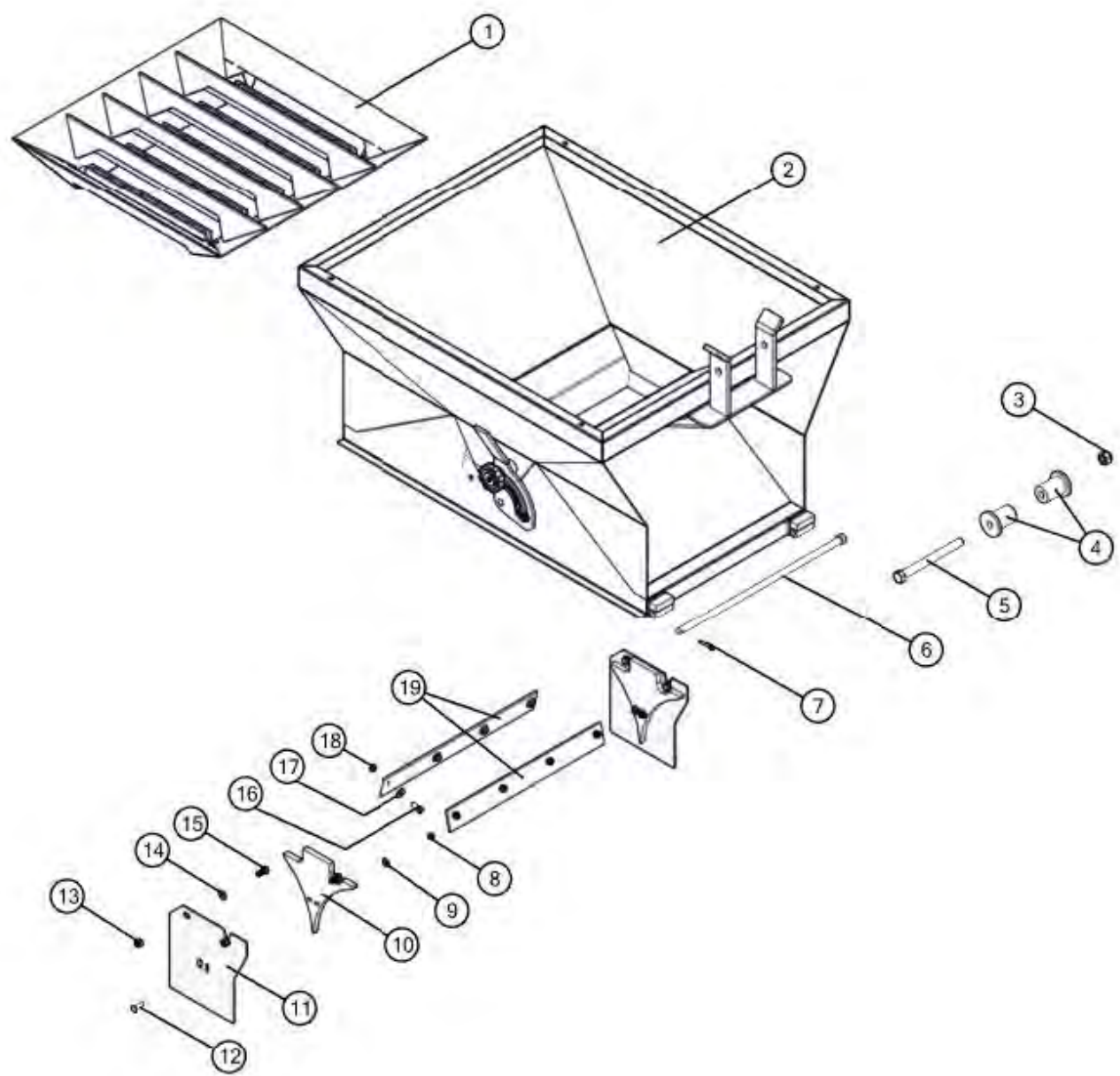


**RM7117**





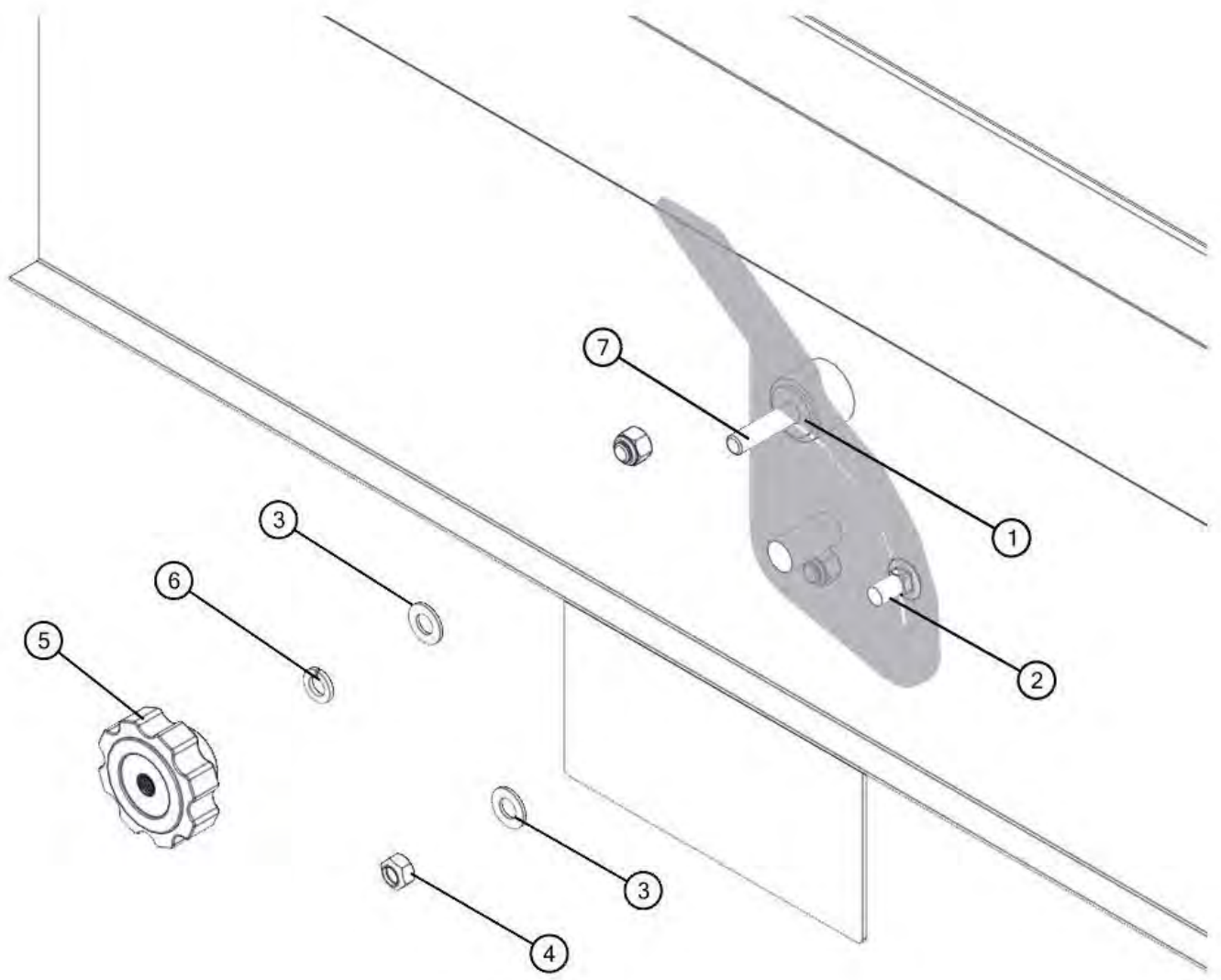
**FIGURE 1**  
**TOP HOPPER**







**FIGURE 2**  
**TOP HOPPER (KNOB)**

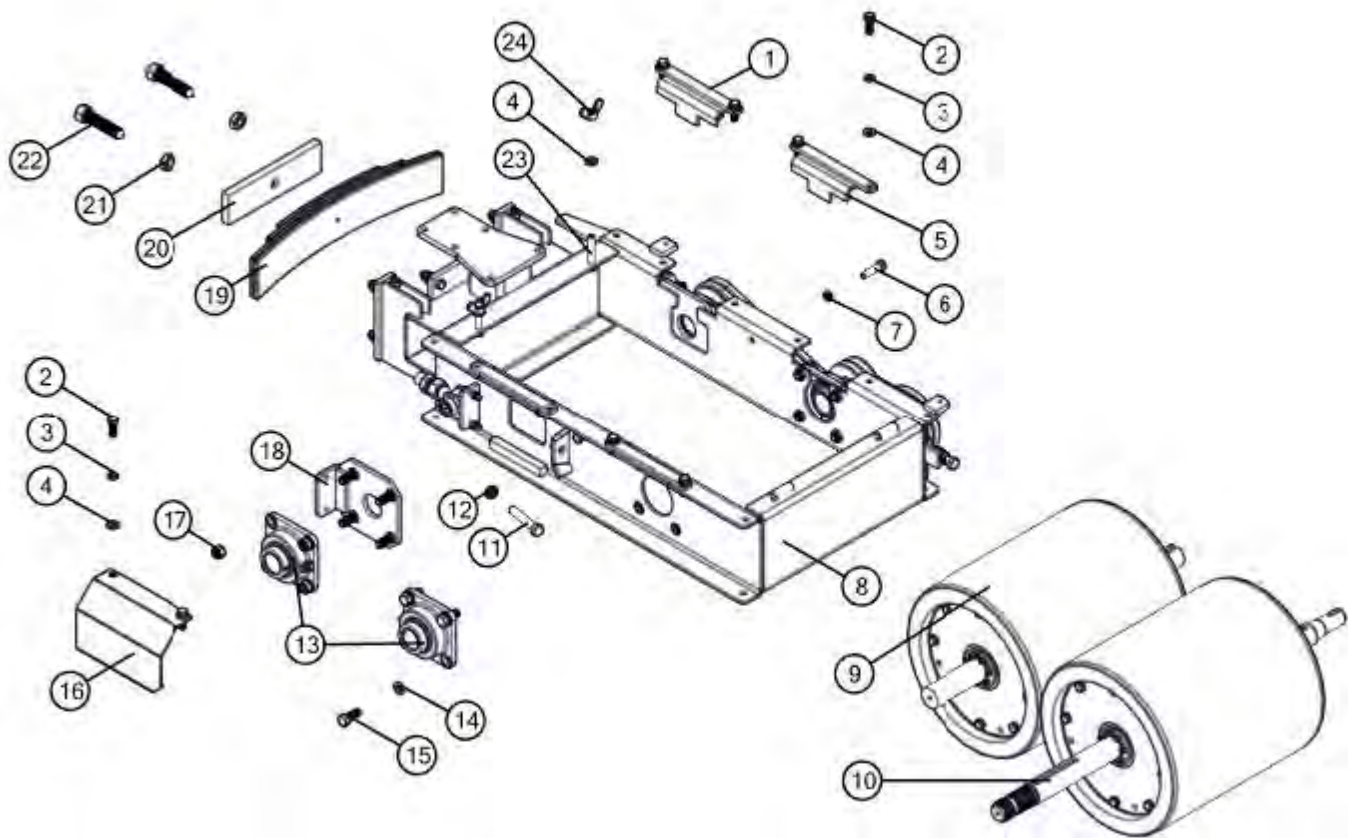








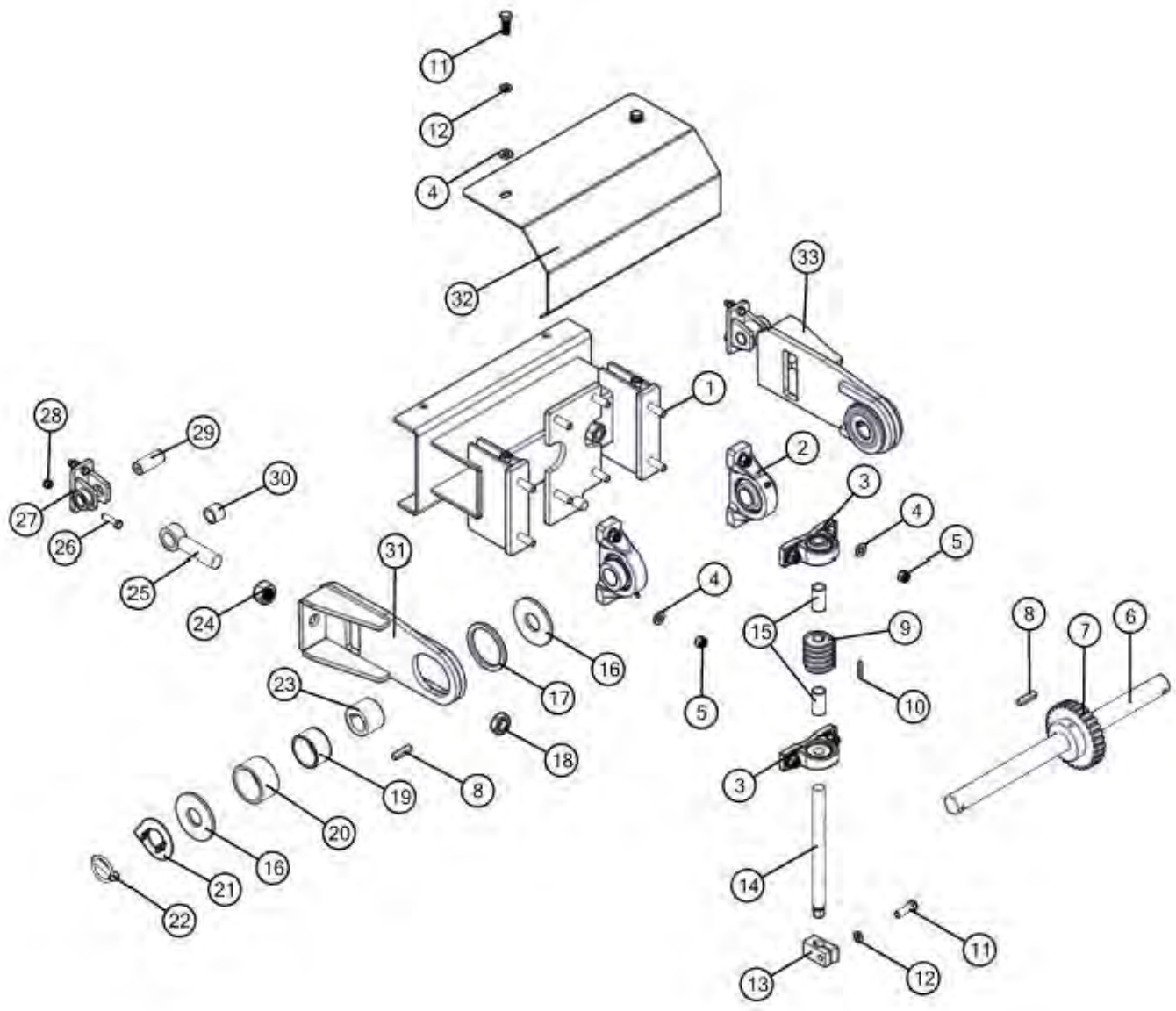
**FIGURE 3**  
**ROLLER MILL UPPER HALF**







# FIGURE 4 WORM DRIVE ROLL ADJUSTMENT





# FIGURE 4

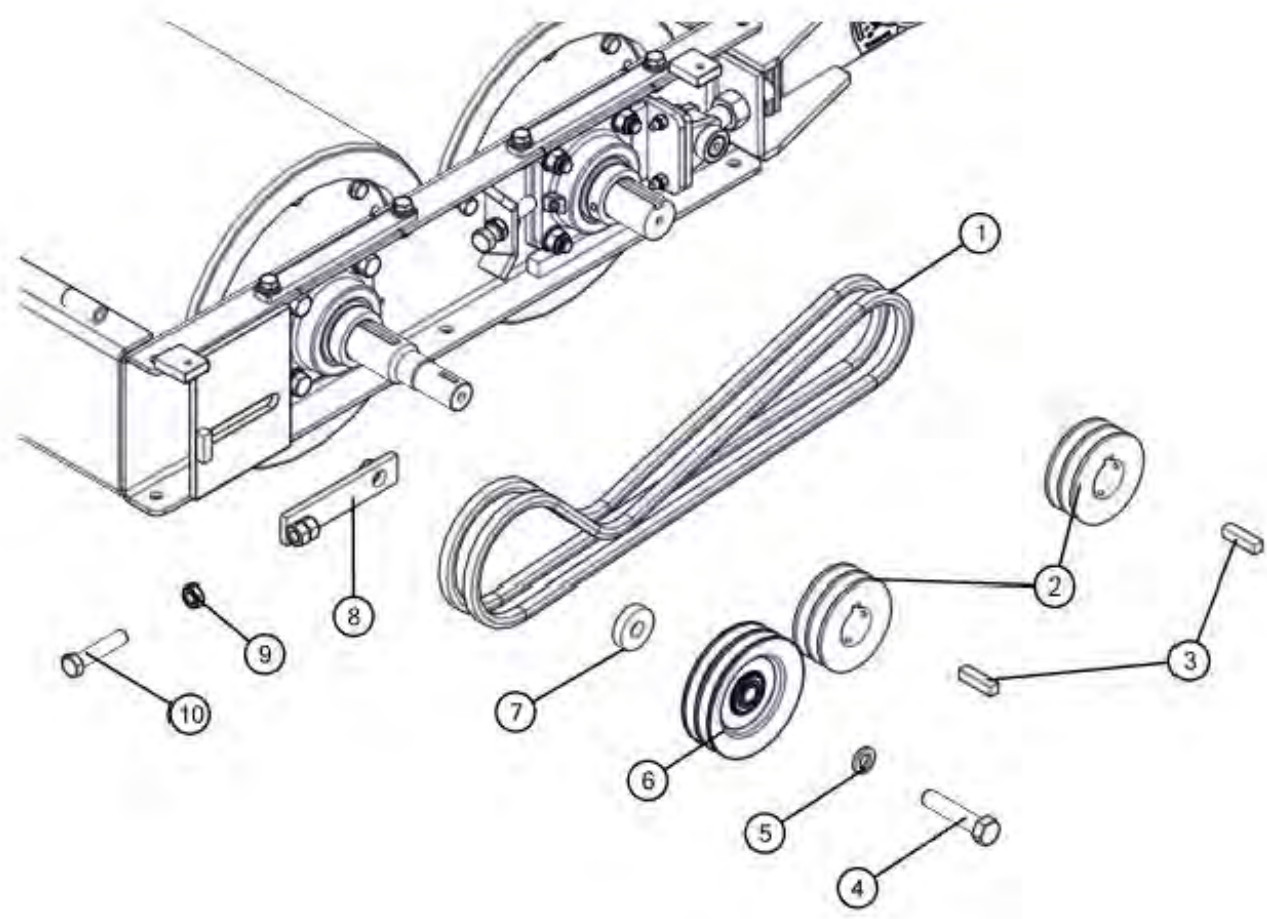
## WORM DRIVE ROLL ADJUSTMENT

REF #	PART #	DESCRIPTION	QTY
1	YBHH16065	HEX BOLT - 1/2" NC X 2" GR.5 PL	8
2	RN1140000008	1-1/2" BEARING - PILLOW BLOCK	2
3	RN11390000914	7/8" BEARING - PILLOW BLOCK	2
4	YWFL16015	FLAT WASHER - 1/2" SAE PLTD	10
5	YNNY16005	NYLOC NUT - 1/2" NC GR.5 PL	8
6	RN4151000801	CAM SHAFT - SPRING CAN ASSEMBLY - 18"	1
7	RN1210000630	WORM GEAR - 6DP - SINGLE START, 30 T, 1-1/2 " ID	1
8	RN4140000652	3/8" KEYSTOCK X 1-3/4"	3
9	RN1200000601	STEEL WORM 6DP SINGLE START RH 7/8" ID	1
10	RN4140000582	3/16"KEYSTOCK X 1-1/2"	1
11	YBHH16030	HEX BOLT - 1/2" NC X 1-1/2" GR.5 PL	3
12	YWLO16010	LOCK WASHER - 1/2" PL	3
13	RN4140000243	WORM WHEEL BRAKE	1
14	RN6151000361	WORM SHAFT - 7/8" X 11"-3/4"	1
15	RN4136000114	WORM GEAR SPACER	2
16	RN4151000361	CAPPING WASHER	4
17	RN4151000360	SPACING WASHER	2
18	YNJM32005	JAM NUT - 1" NF RH GR.5 BL	2
19	RN4151000217	OILITE BUSHING - 2-3/8" X 2-3/4" X 1-1/2"	2
20	RN4151000215	OILITE BUSHING - 2-3/4" X 3-1/4" X 1-3/4"	2
21	RN4831000707	CAM POSITION INDICATOR - 1-1/2"	2
22	RN1615000455	LYNCH PIN - 7/16" X 1-3/4"	2
23	RN4151000034	SPRING CAM HUB	2
24	YNHX32005	HEX NUT - 1" NF GR.5 BL RH	2
25	RN6151000304	ADJUSTER EYE ROD	2
26	YBHH12025	HEX BOLT - 3/8" NC X 1-1/2 GR.5 PL	4
27	RN6130000069	CLEVIS WELDMENT	2
28	YNNY12005	NYLOC NUT - 3/8" NC GR.5 PL	4
29	RN4140000239	CAM PIVOT PIN - 1" X 2-1/2"	2
30	RN1135000126	OILITE BUSHING - 1" X 1-1/4" X 1"	2
31	RN6151000220	PULL PLATE - LH	1
32	RN4151000802	SPRING CAM ADJUSTER SHIELD	1
33	RN6151000219	PULL PLATE - RH	1





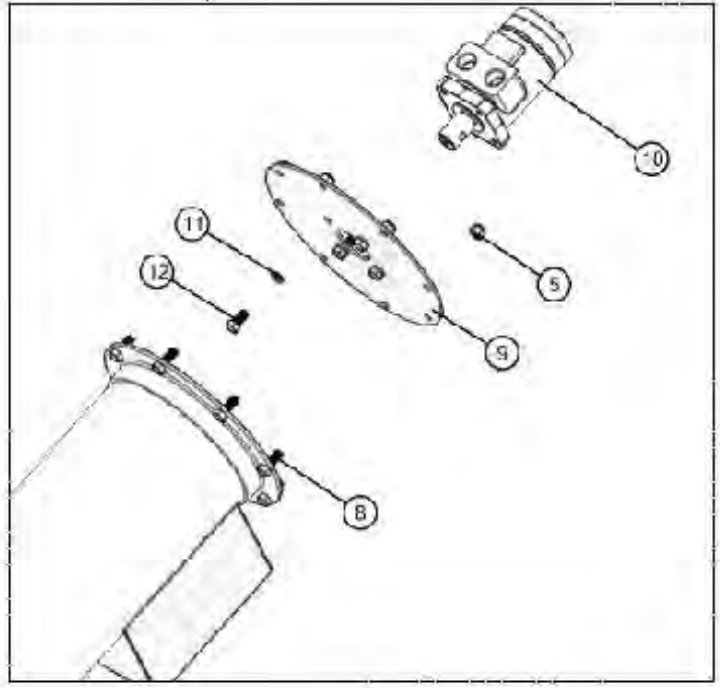
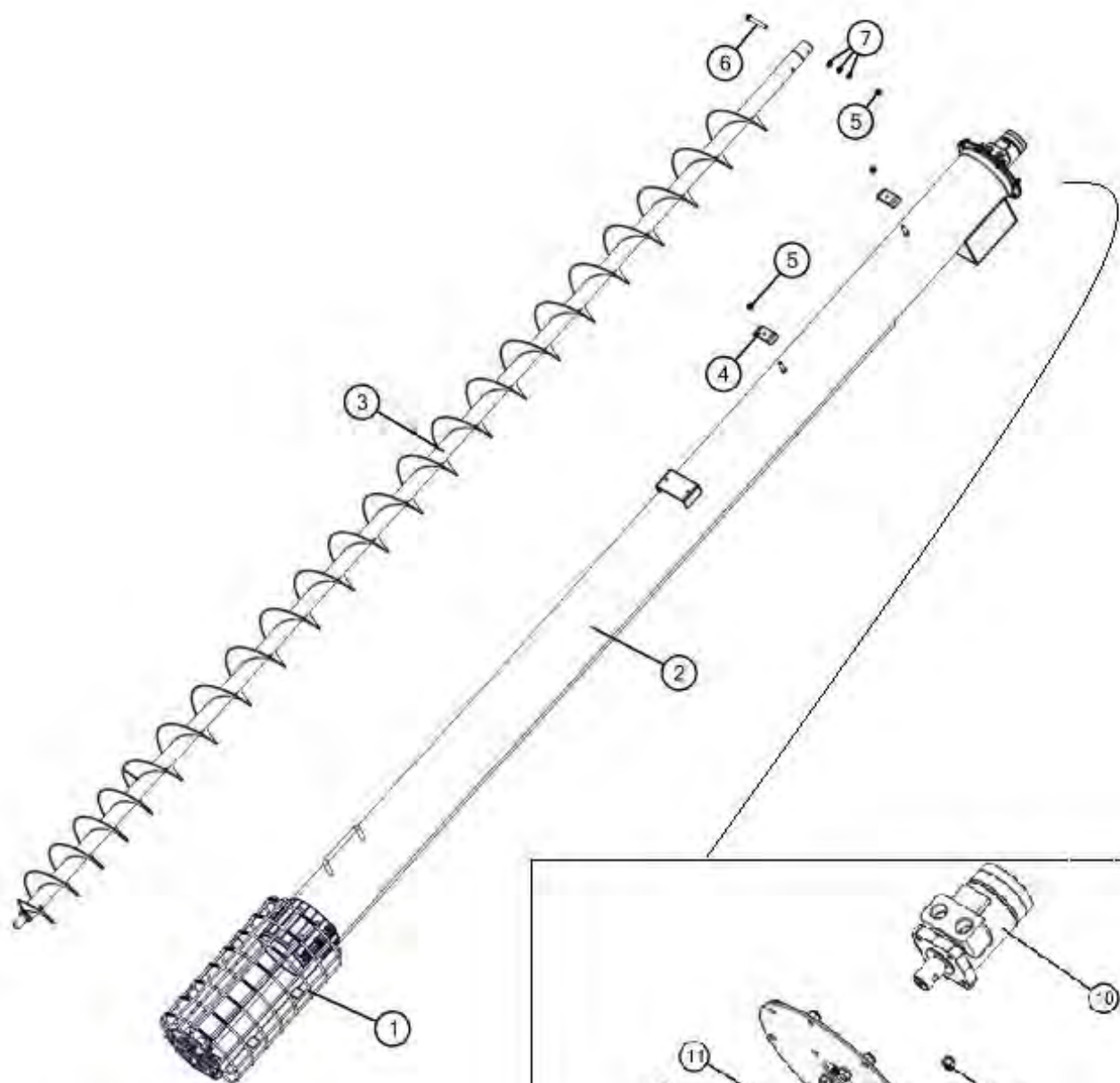
**FIGURE 5**  
**ROLL DRIVE REAR**







**FIGURE 6**  
**FEEDER AUGER ASSEMBLY**

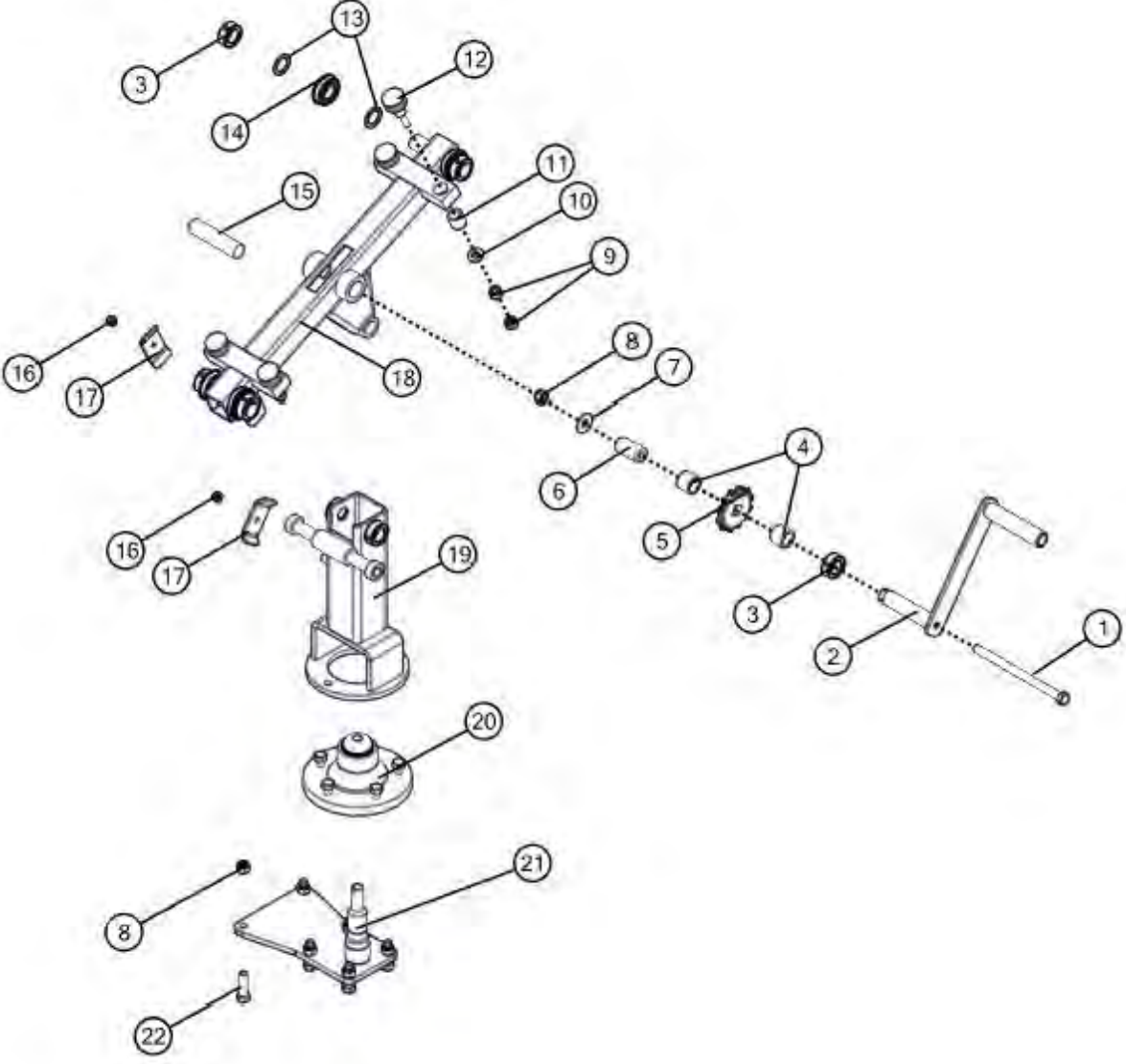




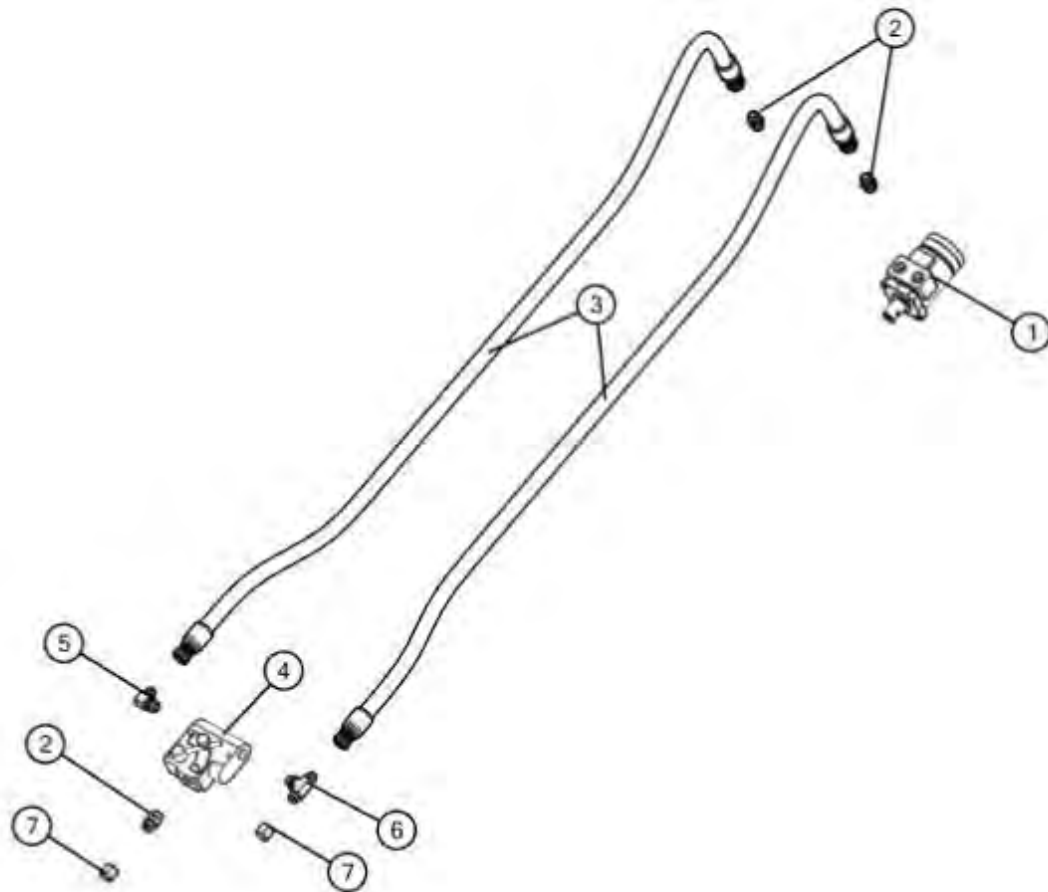




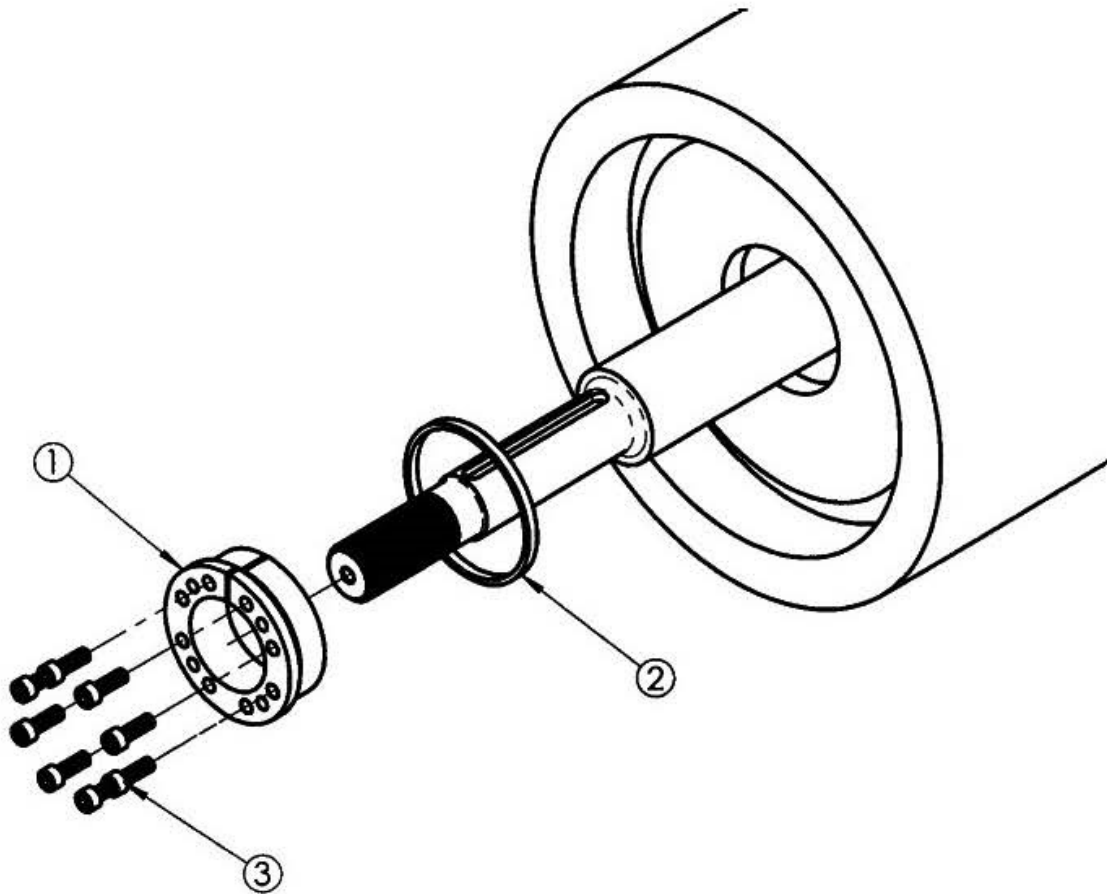
# FIGURE 7 CRANK ASSEMBLY













# FIGURE 9

## ROLL BUSHING ASSEMBLY B-LOC BUSHING

Roll Size Dia x Length	[ #1 ] B-Loc Hub Part # & I/D	[ #2 ] B-Loc Spacer Ring & Size	[ #3 ] Socket Head Cap Screw (QTY) & Size	Tightening Torque (ft-lbs)
<b>8-5/8" n x 10"</b>	141000-0001 1-3/8"	N/A	(8) 6mm x 1.0 x 20mm	12
<b>10-5/8" n x 16"</b>	141000-0002 1-15/16"	N/A	(7) 8mm x 1.25 x 25mm	30
<b>16" n x 12"</b>	141000-0002 1-15/16"	N/A	(7) 8mm x 1.25 x 25mm	30
<b>16" n x 18"</b>	141000-0002 1-15/16"	N/A	(7) 8mm x 1.25 x 25mm	30
<b>16" n x 24"</b>	141000-0002 1-15/16"	N/A	(7) 8mm x 1.25 x 25mm	30
<b>16" n x 24H</b>	141000-0004 2-7/16"	N/A	(9) 8mm x 1.25 x 25mm	30
<b>16" n x 30"</b>	141000-0004 2-7/16"	N/A	(9) 8mm x 1.25 x 25mm	30
<b>16" n x 30H</b>	141000-0003 2-15/16"	141000-0006	(8) 10mm x 1.5 x 30mm	60
<b>16" n x 36"</b>	141000-0003 2-15/16"	141000-0006	(8) 10mm x 1.5 x 30mm	60
<b>16" n x 48"</b>	141000-0003 2-15/16"	141000-0006	(8) 10mm x 1.5 x 30mm	60









H&S MFG. CO.  
products approved  
for the  
FEMA  
SEAL OF QUALITY



Manufactured by:  
H&S MANUFACTURING CO., INC.  
2608 S. HUME AVE. MARSHFIELD, WI 54449  
(715) 387-3414 | hsmfgco.com

