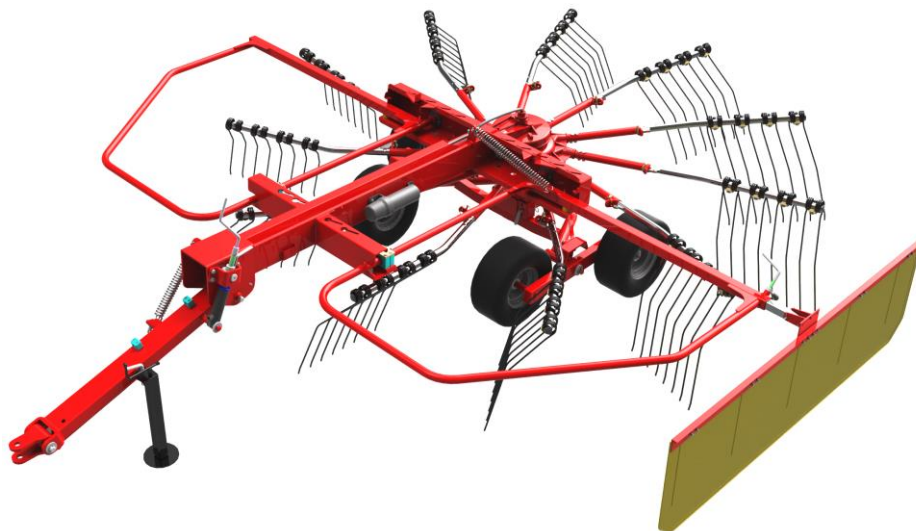




RR420 ROTARY RAKE

PARTS BOOK

Issue 8c - 5/2020



H&S Manufacturing Co., Inc.
2608 S. Hume Avenue Marshfield, WI 54449
• Telephone (715) 387-3414 • Fax (715) 384-5463
• Website www.hsmfgco.com



TABLE 1 - MOUNTED

Nr.	CODE	DESCRIPTION
1	18032254	THREE-POINT HITCH
2	18033185	BRACKET
3	12310122	SUPPORT PIN
4	3120128	SEEGER Ø16
5	3080202	SAFETY PIN D.10
6	3011707	H. H. SCREW M12L45 10.9 ZN
7	3030162	WASHER M12 ZN
8	18032255	PLATE
9	18032256	HOLED PIN Ø28 L.135
10	3011210	H. H. SCREW M8X50
11	3020209	SELF LOCKING NUT M8
12	12310115	3-POINT PIN
13	18032259	CONNECTING ROD WITH BALL JOINT
14	18032362	PIN Ø22 L.89
15	3030176	WASHER M22 ZN
16	3080102	ELASTIC PIN 6X36
17	11010536	SPRING
18	18032258	CONNECTING ROD WITH BRACKET
19	18032363	SCREW
20	3020222	SELF LOCKING NUT M22
21	18033216	COLLAR C3
22	18032512	CARDAN HOOK
23	18032260	BEARING FOOT
24	3080204	SAFETY PIN D.10
25	3040117	ELASTIC PIN 8X80
26	8020443	CARDAN SHAFT 600 NM 2 NOTT.
27	3020202	SELF LOCKING NUT M12
28	12310307	PIN

TABLE 2 (1/2) - MOUNTED

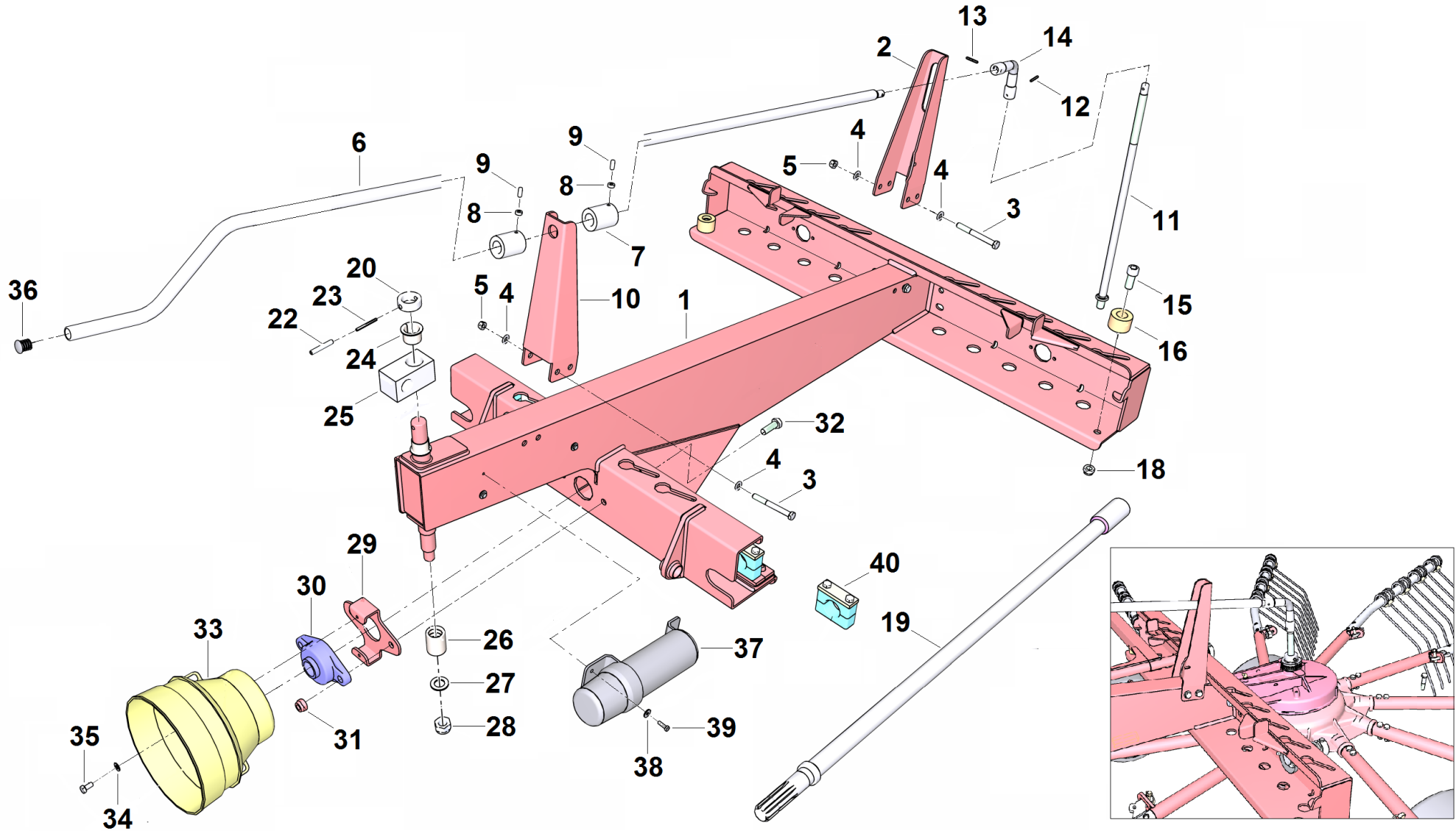




TABLE 2 (1/2) - MOUNTED

Nr.	CODE	DESCRIPTION
1	18032370	FRAME
2	18032263	REAR STRUT
3	3011313	H. H. SCREW M12X110 ZN
4	3030162	WASHER M12 ZN
5	3020202	SELF LOCKING NUT M12
6	18032261	AXLE
7	18032361	STOP
8	3020329	NUT M8 ZN
9	3050107	GRUB SCREW M8X20
10	18032267	FRONT STRUT
11	18032262	REGULATING SCREW
12	3080102	ELASTIC PIN 6X36
13	3080102	ELASTIC PIN 6X36
14	18033975	ARTICULED JOINT
15	3010660	H.S.H.C SCREW M16X40 ZN
16	18032232	SPRING
17	3020358	NUT M22X1,5 ZN
18	3020204	SELF LOCKING NUT M16
19	18032265	TRASSMISSION SHAFT
20	18032266	BUSH
21	12280006	SPACER PS 32X22X0,5
22	3080105	ELASTIC PIN 8X50
23	3080157	ELASTIC PIN 5X50
24	12240237	BUSH GLYCODUR 303426
25	18032257	SUPPORT
26	12071212	BUSH
27	3030176	WASHER M22 ZN
28	3020222	SELF LOCKING NUT M22
29	18033338	SUPPORT CAP
30	12250027	SUPPORT UCFL 207

TABLE 2 (2/2) - MOUNTED

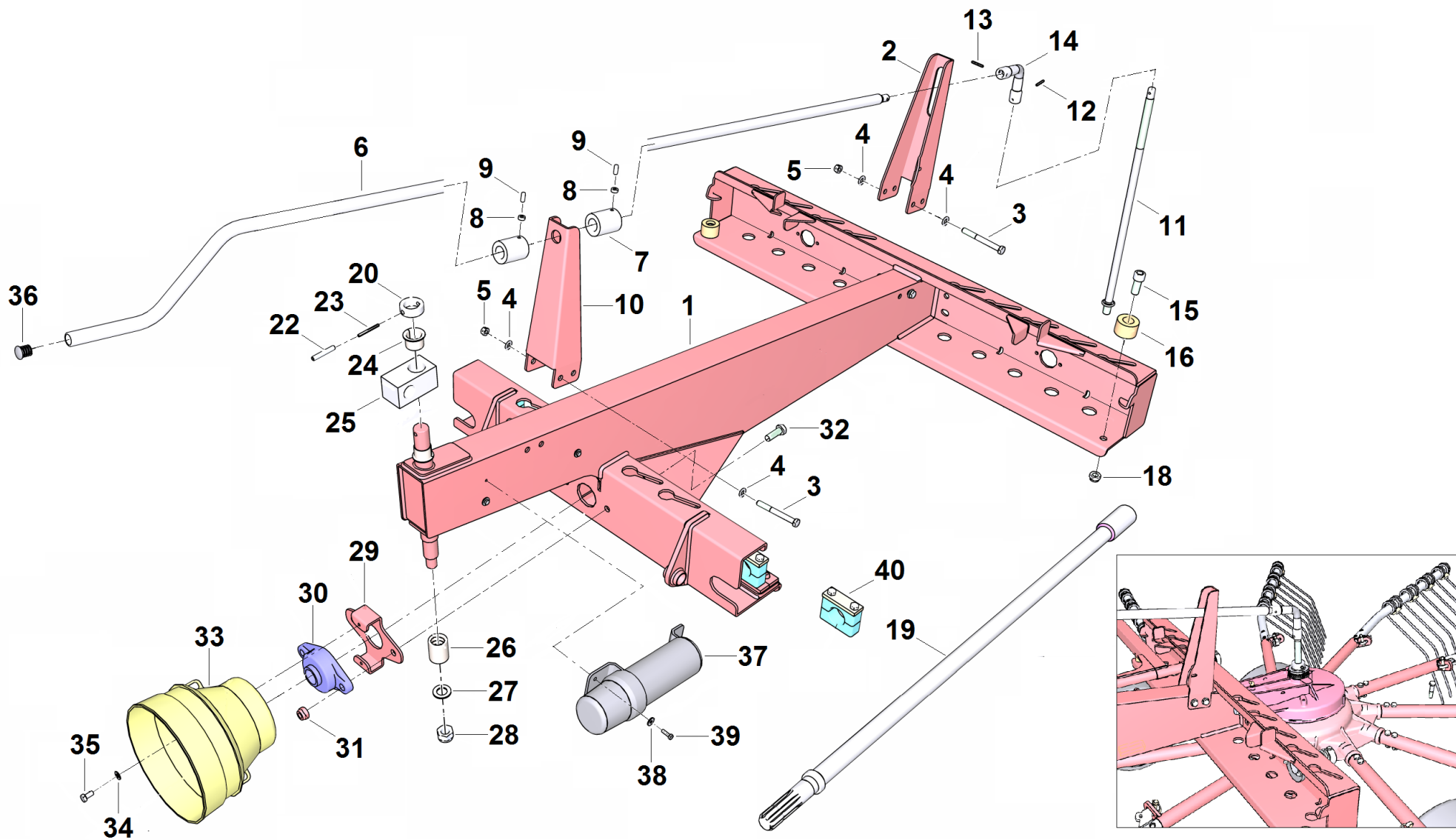


TABLE 3 - MOUNTED

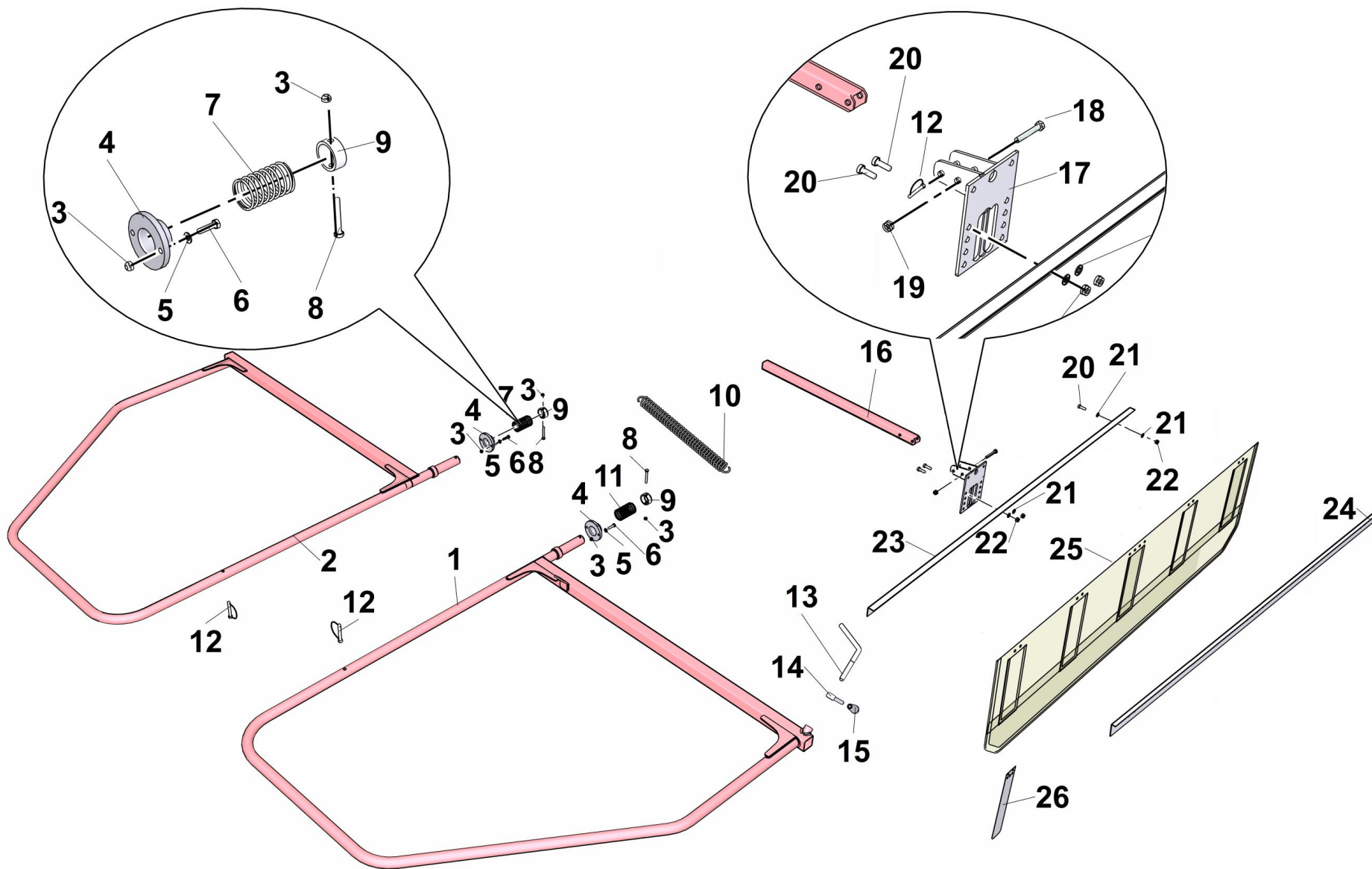




TABLE 3 - MOUNTED

Nr.	CODE	DESCRIPTION
1	18032273	LEFT PROTECTION
2	18032270	RIGHT PROTECTION
3	3020209	SELF LOCKING NUT M8
4	18032271	BUSH
5	3030156	WASHER M8 ZN
6	3010780	H. H. SCREW M8X30 ZN
7	11010537	SPRING
8	3011616	H. H. SCREW M8X60 ZN
9	18032286	SPRING STOP
10	11010534	SPRING
11	11010537	SPRING
12	3080204	SAFETY PIN D.10
13	18032285	LOCKING PIN
14	18033168	LOCKING RING NUT
15	3140001	KNOB
16	18032275	DEFLECTOR-HOLDER
17	18032366	DEFLECTOR-HOLDER BRACKET
18	3010756	H. H. SCREW M10X70 ZN
19	3020201	SELF LOCKING NUT M10
20	3011206	H. H. SCREW M10X30 ZN
21	3030159	WASHER M10 ZN
22	3020201	SELF LOCKING NUT M10
23	18032367	DEFLECTOR EXTERNAL FRAME
24	18032368	DEFLECTOR INTERNAL FRAME
25	12881029	DEFLECTOR
26	18032365	STIFFENING PLATE

TABLE 4 - MOUNTED

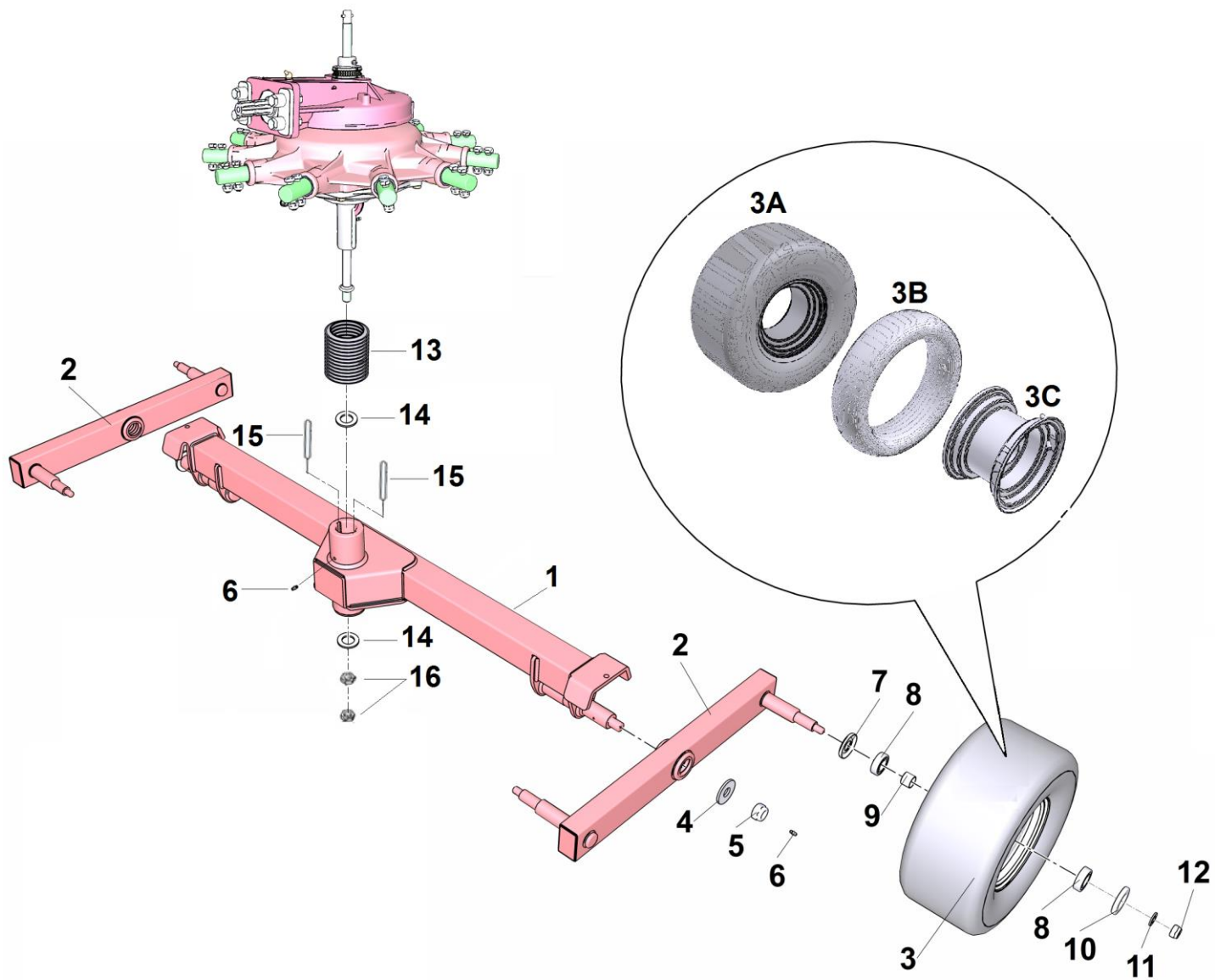


TABLE 5 - MOUNTED

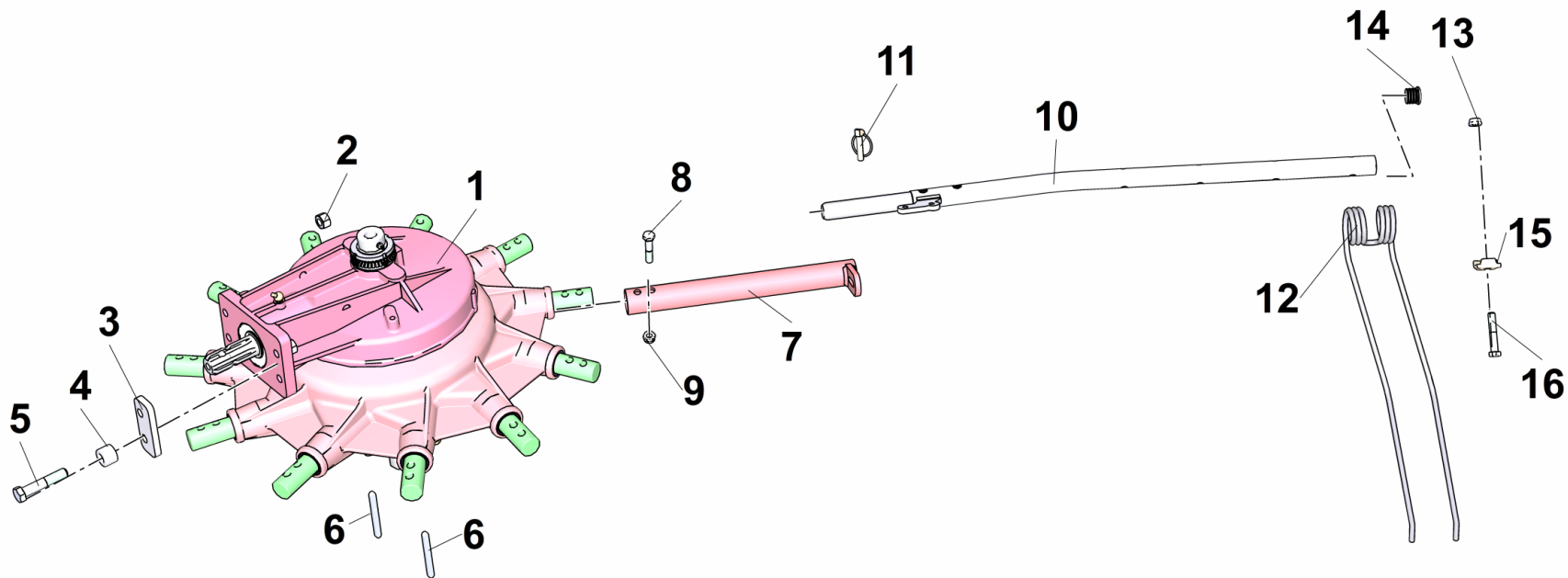


TABLE 6 (1/2) – PULL-TYPE

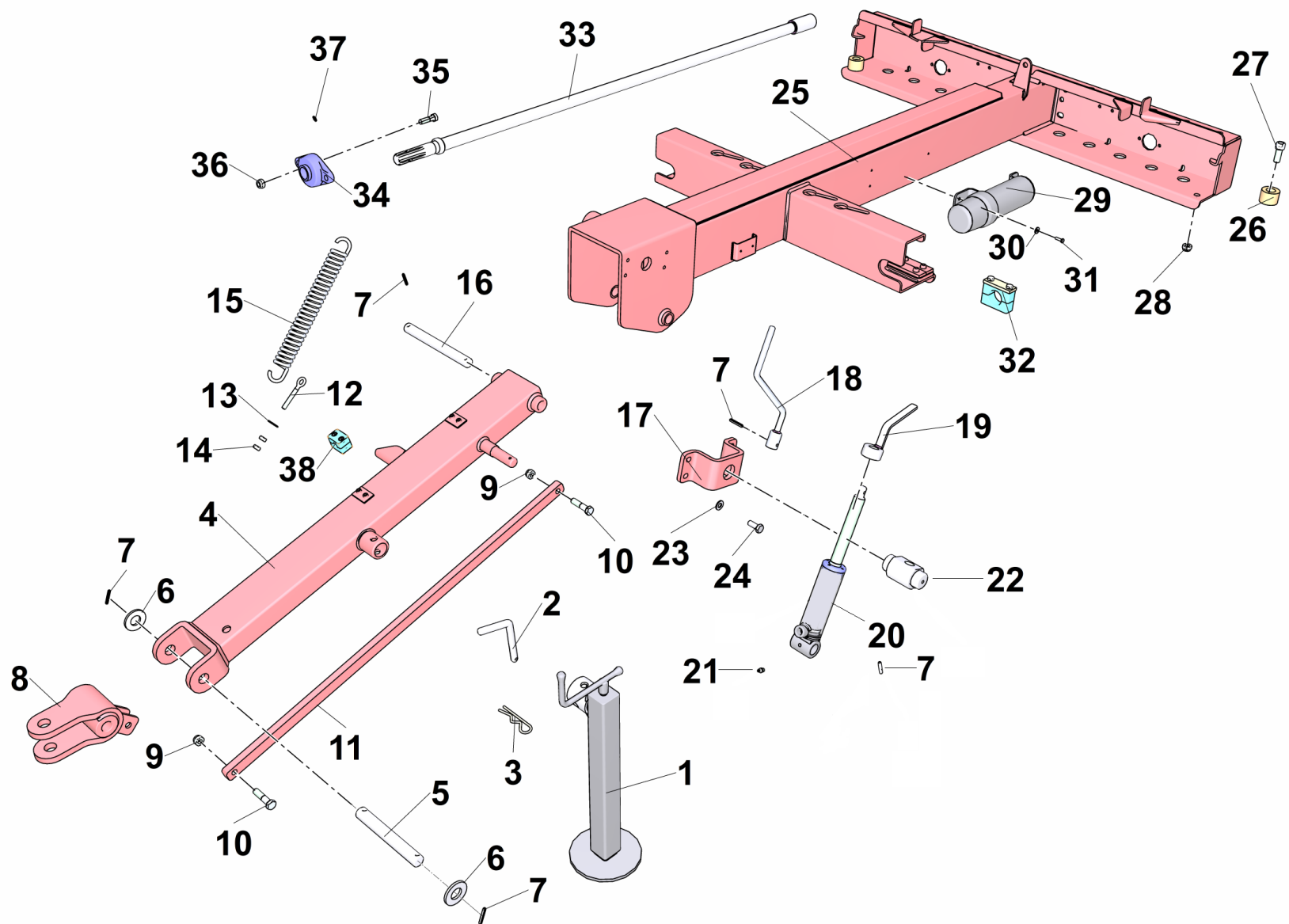




TABLE 6 (1/2) – PULL-TYPE

Nr.	CODE	DESCRIPTION
1	18032774	BEARING FOOT
2	18033195	HANDLE PIN
3	3040202	R COTTER PIN
4	18032229	PULL BAR
5	18032228	HOLED PIN
6	3030186	WASHER 56X26X5 ZN
7	3080102	ELASTIC PIN 6X36
8	18032227	COUPLING HITCH
9	3020203	SELF LOCKING NUT M14
10	3011202	H. H. SCREW M14X60 ZN
11	18032226	ROD
12	3220201	RING TENSIONER
13	3030169	WASHER M10 ZN
14	3020328	NUT M10 ZN
15	11010501	SPRING
16	18032238	HOLED PIN
17	18032235	CYLINDER BRACKET
18	18032233	REGULATING SCREW
19	18032234	RING
20	18032236	HYDRAULIC CYLINDER
21	3090101	GREASE ZERK M8X1
22	18032237	SPLIT NUT
23	3030159	WASHER M10 ZN
24	3011211	H. H. SCREW M10X25 ZN
25	18032231	FRAME
26	18032232	SPRING
27	3010660	H.S.H.C SCREW M16X40 ZN
28	3020204	SELF LOCKING NUT M16
29	9080022	MANUAL-HOLDER
30	3030160	WASHER M6 EXL ZN

TABLE 6 (2/2) – PULL-TYPE

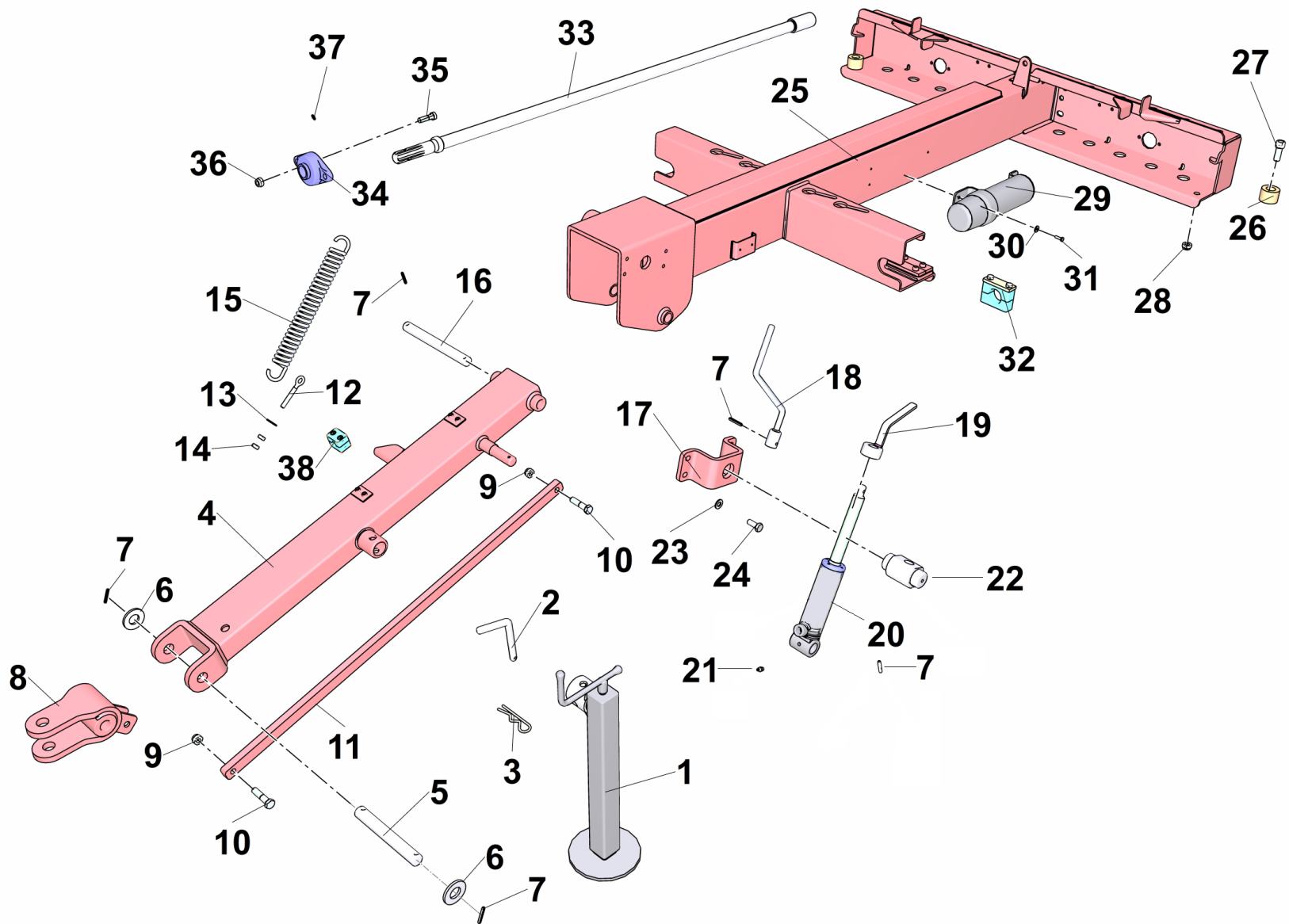


TABLE 7 (1/2) – PULL-TYPE

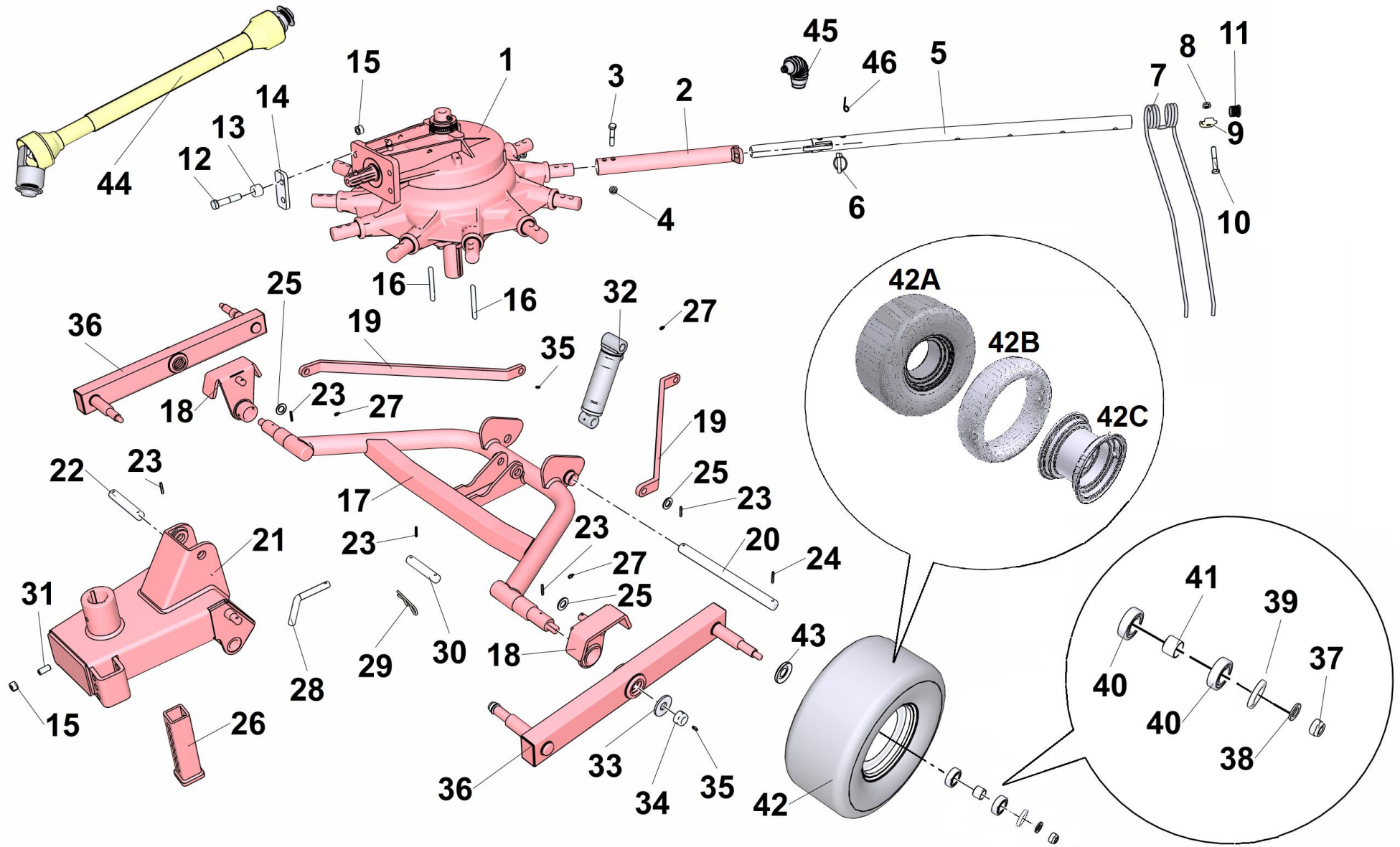




TABLE 7 (1/2) – PULL-TYPE

Nr.	CODE	DESCRIPTION
1	8010517 or 18036164	GEARBOX ROR -11
2	18032280	ARM-HOLDER
3	3011207	H. H. SCREW M12X60 ZN
4	3020202	SELF LOCKING NUT M12
5	18032279	ARM
6	3080202	SAFETY PIN D.10
7	18030584	SPRING
8	3020202	SELF LOCKING NUT M12
9	12881075	SPRING CLAMP
10	3011288	H. H. SCREW M12X70 ZN
11	9190013	RUBBER CAP D.35
12	3011631	H. H. SCREW M14X70 ZN
13	18033390	SPACER Ø28 L.20
14	18033315	PLATE FIX. ROTOR
15	3020363	NUT B. M14 ZN
16	3110029	TAB 10X8X110 A
17	18032246 or 18032360	TANDEM AXLE
18	18032240	TANDEM BLOCK
19	18032241	TANDEM ARM
20	18032247	HOLED PIN Ø30 L.370
21	18033308	GEARBOX SUPPORT
22	18032244	HOLED PIN Ø25 L.150
23	3080102	ELASTIC PIN 6X36
24	3080103	ELASTIC PIN 6X40
25	3030168	WASHER M20 ZN
26	18032242	STOP ROD
27	3090101	GREASE ZERK M8X1
28	18032284	HANDLE PIN Ø18
29	3040202	R COTTER PIN
30	18032283	HOLED PIN Ø25 L.130

TABLE 7 (2/2) – PULL-TYPE

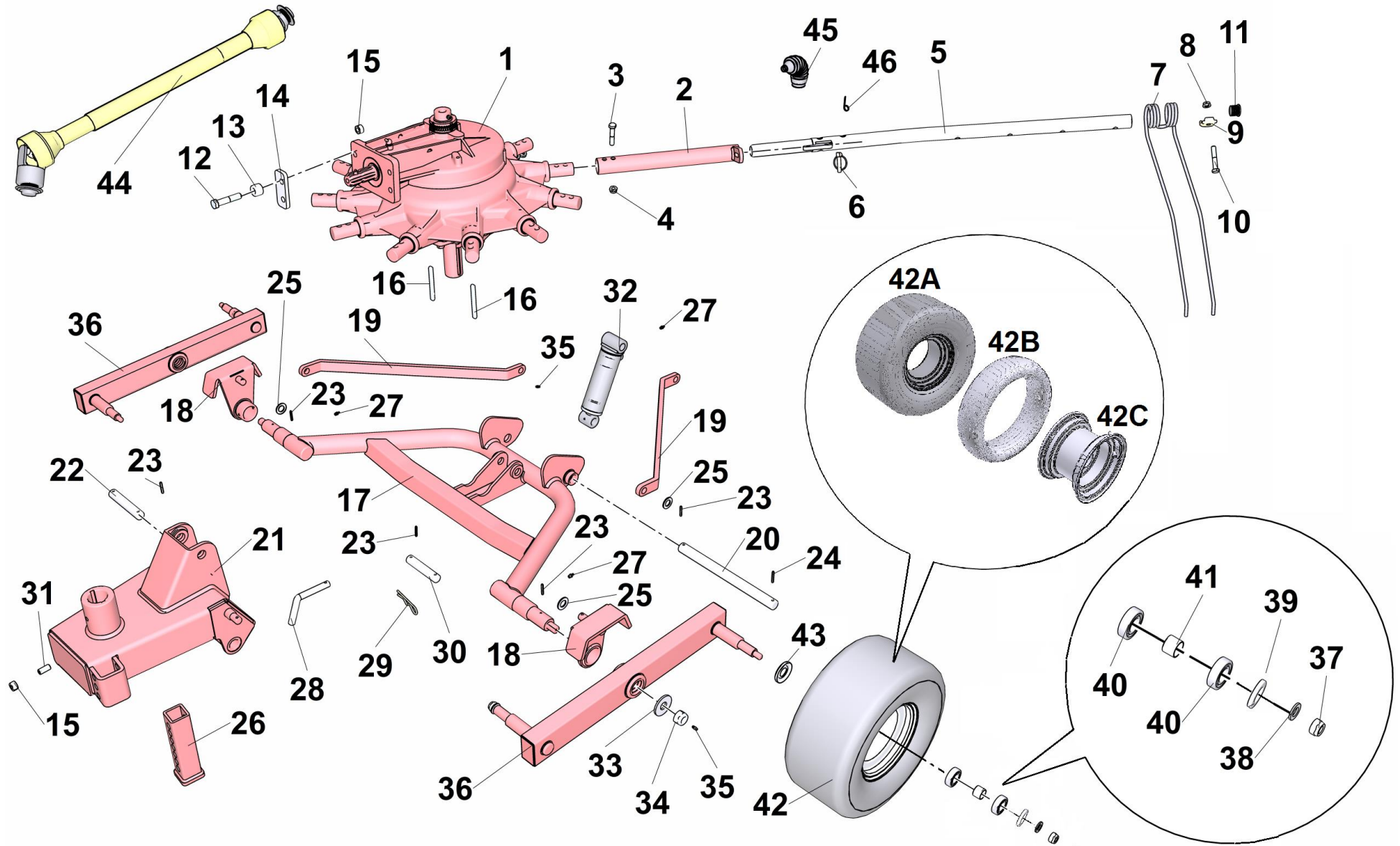


TABLE 8 – PULL-TYPE

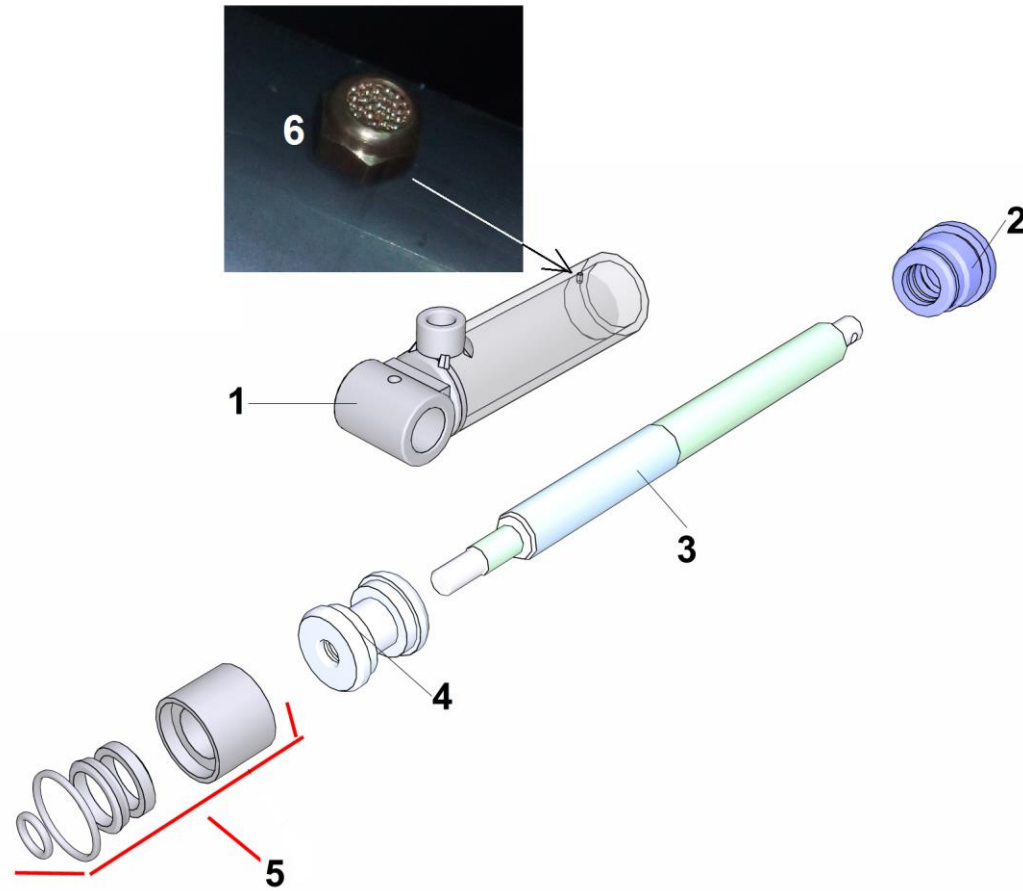


TABLE 8

Nr.	CODE	DESCRIPTION
1	18032236	COMPLETE CYLINDER Ø40 C.45
2		GUIDE
3		SHAFT
4		PISTON
5	18032253	SEAL KIT Ø40
6	18034330	VENT PLUG

TABLE 9 – PULL-TYPE

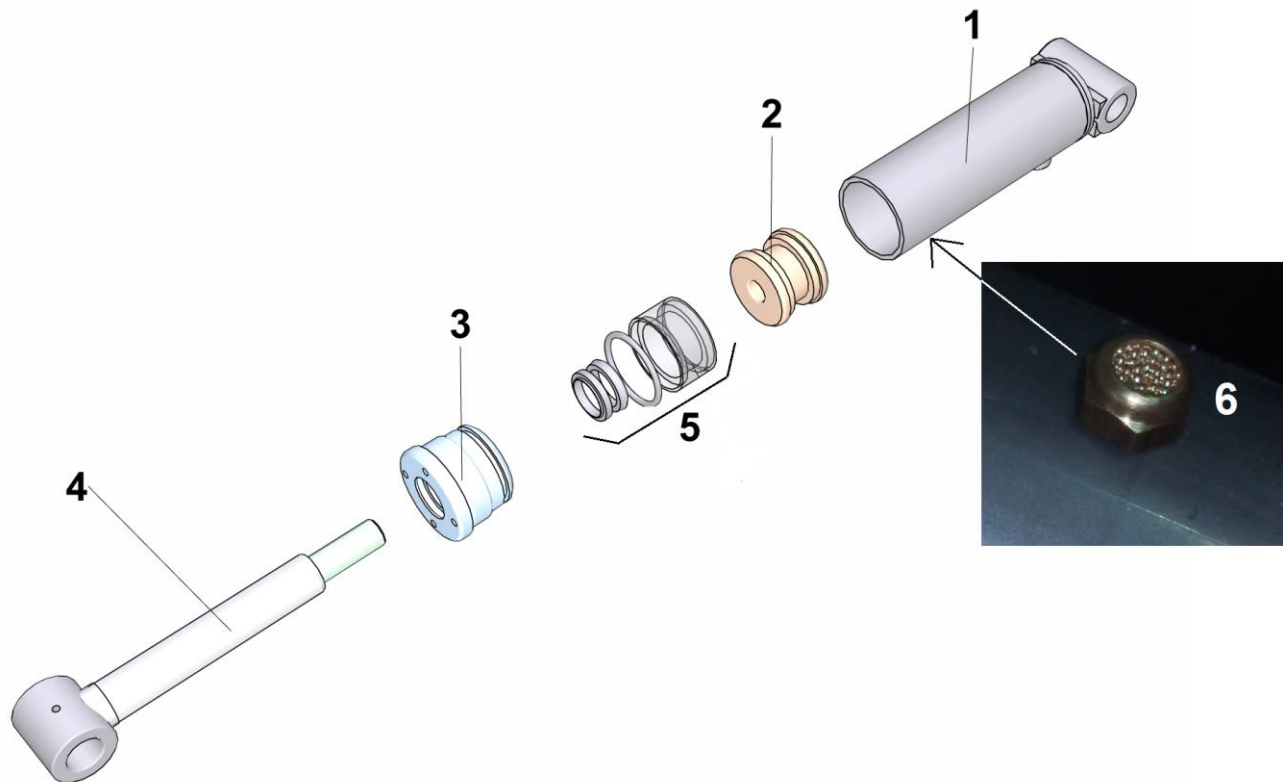


TABLE 9 – PULL-TYPE

Nr.	CODE	DESCRIPTION
1	18032245	COMPLETE CYLINDER Ø60 C.107
2		GUIDE
3		SHAFT
4		PISTON
5	18032249	SEAL KIT Ø60
6	18034330	VENT PLUG

TABLE 10 – (ON DEMAND)

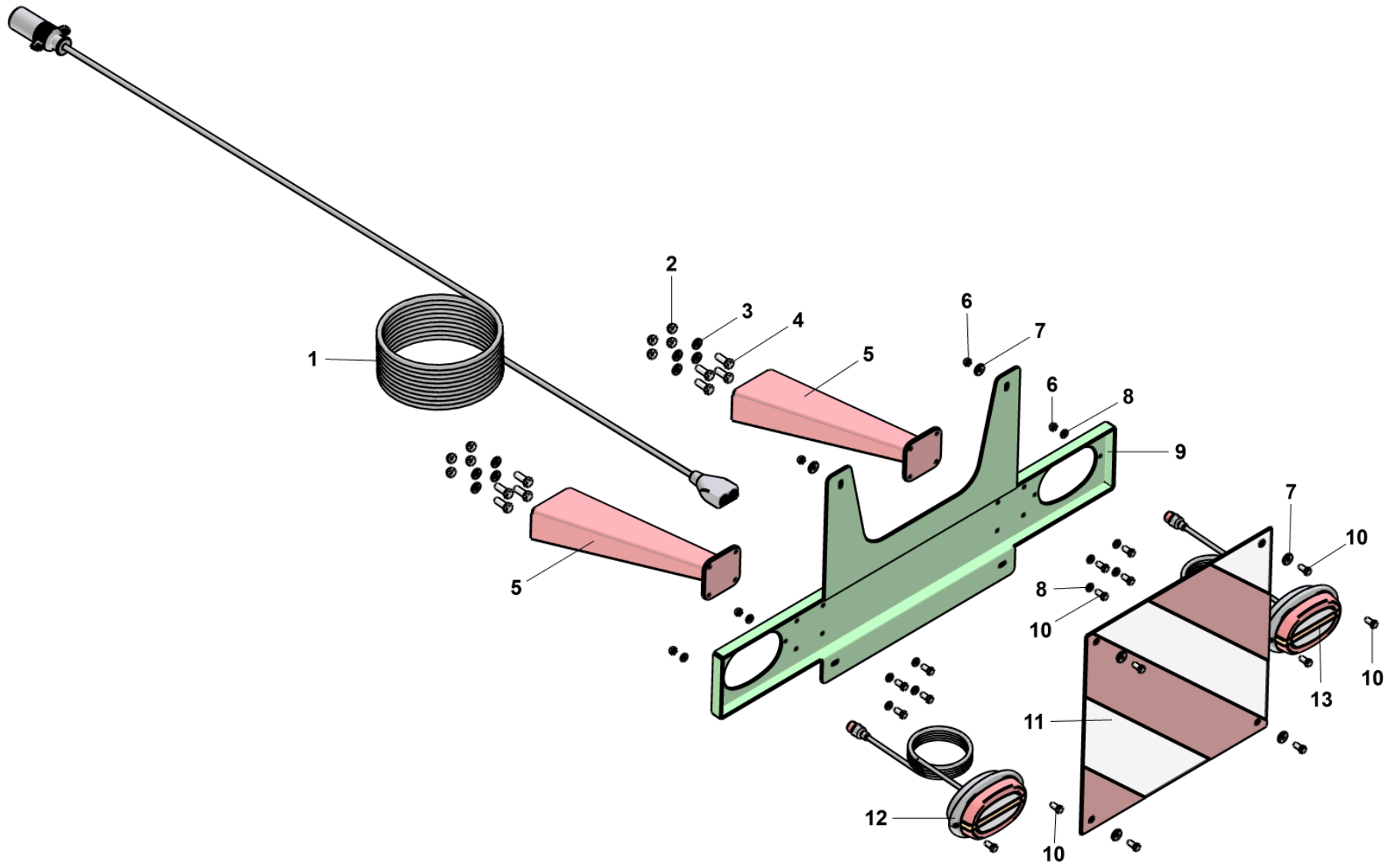


TABLE 11 – MOUNTED (ON DEMAND)

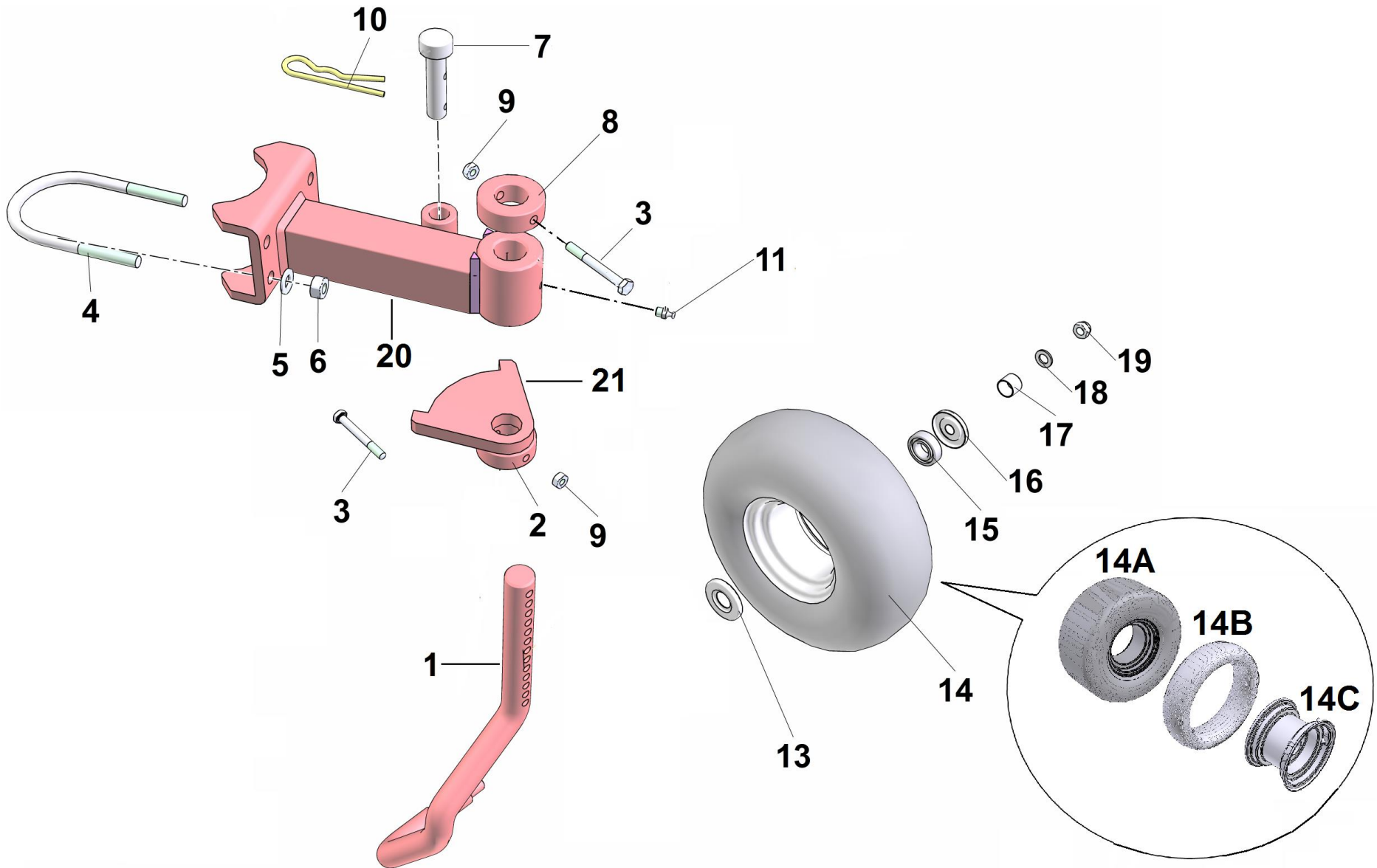



TABLE 11 – MOUNTED (ON DEMAND)

Nr.	CODE	DESCRIPTION
1	18033035	WHEEL AXLE WITH VERTICAL SUPPORT
2	18033034	SECTOR
3	3011612	H. H. SCREW M8X70 ZN
4	3170119	U BOLT M12
5	3030162	WASHER M12 ZN
6	3020333	NUT M12 ZN
7	18032340	PIN
8	12070103	BUSH
9	3020329	NUT M8 ZN
10	3040202	R COTTER PIN
11	3090101	GREASE ZERK M8X1
12		
13	12070314	INTERNAL DUST COVER CAP
14	12170103	COMPLETE WHEEL 15.600.6
14A	12070313	TIRE 15.600.6
14B	12070312	AIR TUBE 15.600.6
14C	12070311	WHEEL RIM 15.600.6
15	12240313	BEARING 6205 2RS
16	12070315	EXTERNAL DUST COVER CAP
17	12070307	SPACER D.25
18	3030175	WASHER 30X17X3 ZN
19	3020204	SELF LOCKING NUT M16
20	18033033	ARM
21	18033034	SECTOR

TABLE 12 (1/2)

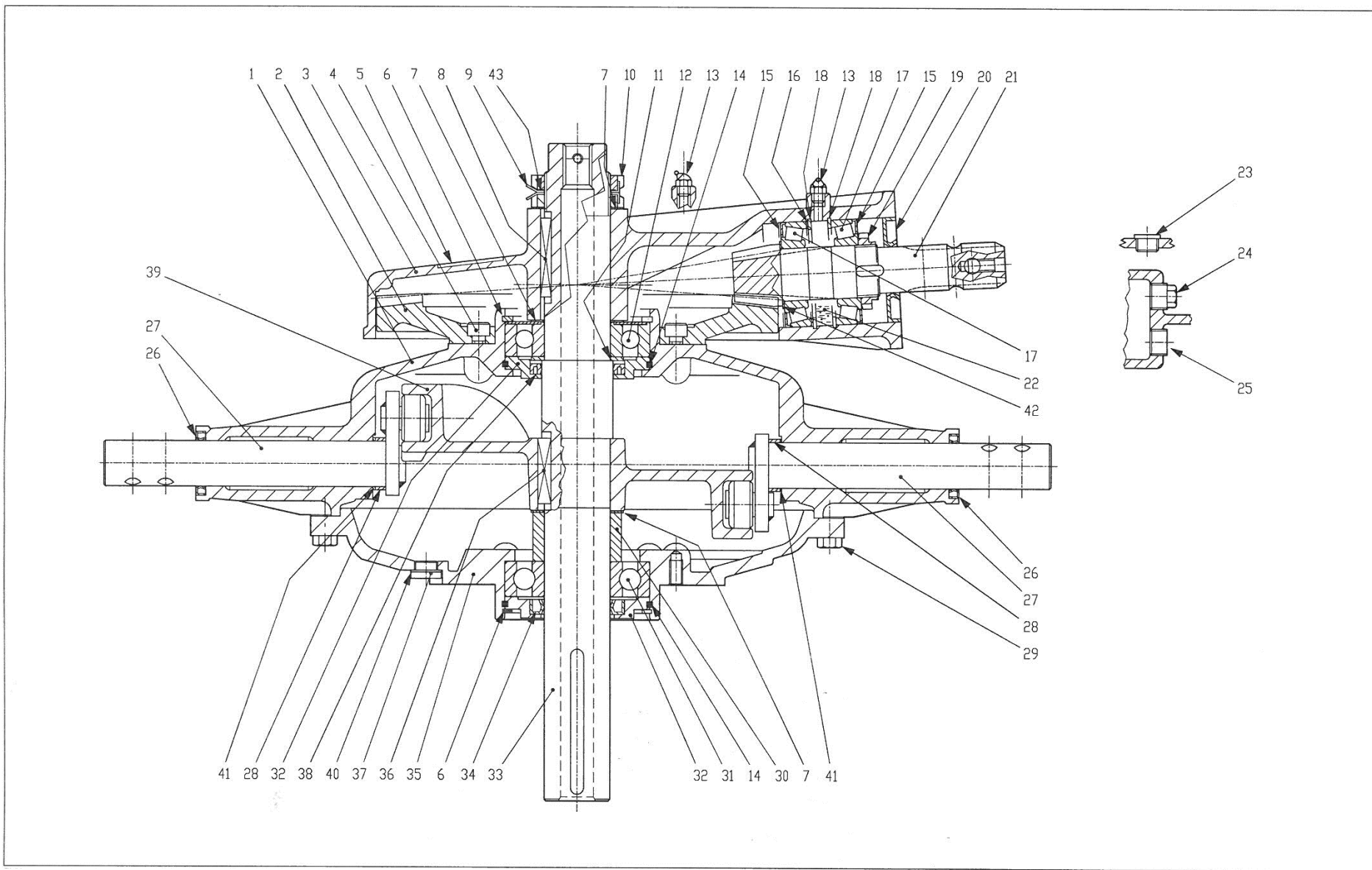




TABLE 12 (1/2)

Nr.	CODE	DESCRIPTION
1	18034017	MAIN BODY
2	18034018	CROWN Z82 M3,75
3	18034019	UPPER COVER
4	3010816	H.S.H.C SCREW 5931 M10X22
5	18034020	SERIAL PLATE
6	3120139	RING 110 UNI 7437
7	18034021	SHIM 50,3X70,3
8	3110028	KEI 10X8X60 UNI6604
9	3030187	WASHER 50X74X1,25
10	3180008	FASTENING GEAR M50X1,5
11	18034022	SHIM 70,2X50,2X2,5
12	12240256	BALL BEARING 6310 Z
13	3090111	GREASE NIPPLE 45G M10X1
14	18034023	SEAL 2-155
15	10011350	SEAL RING 30206 AV
16	18034024	SHIM 69X79,9
17	12240244	ROLLER BEARING 30208
18	3120147	RING 80 UNI 7437
19	18034025	NUT M40X1,5
20	12260097	RING 35X80X10
21	18034026	PINION Z10 M3.75
22	-	GREASE SHELL RETINAX WB2
23	18034027	HEX CAP 3/8" GAS
24	18034028	HEX CAP 1/2" GAS
25	18034029	HEX CAP 1/2" GAS
26	12260031	RING 35X45X7
27	18034030	ARM
28	18034035	BUSHING 35,3X43,5X9
29	3010281	SCREW 5739 M10X30
30	18034031	BUSHING 50,2X67X27,7

TABLE 12 (2/2)

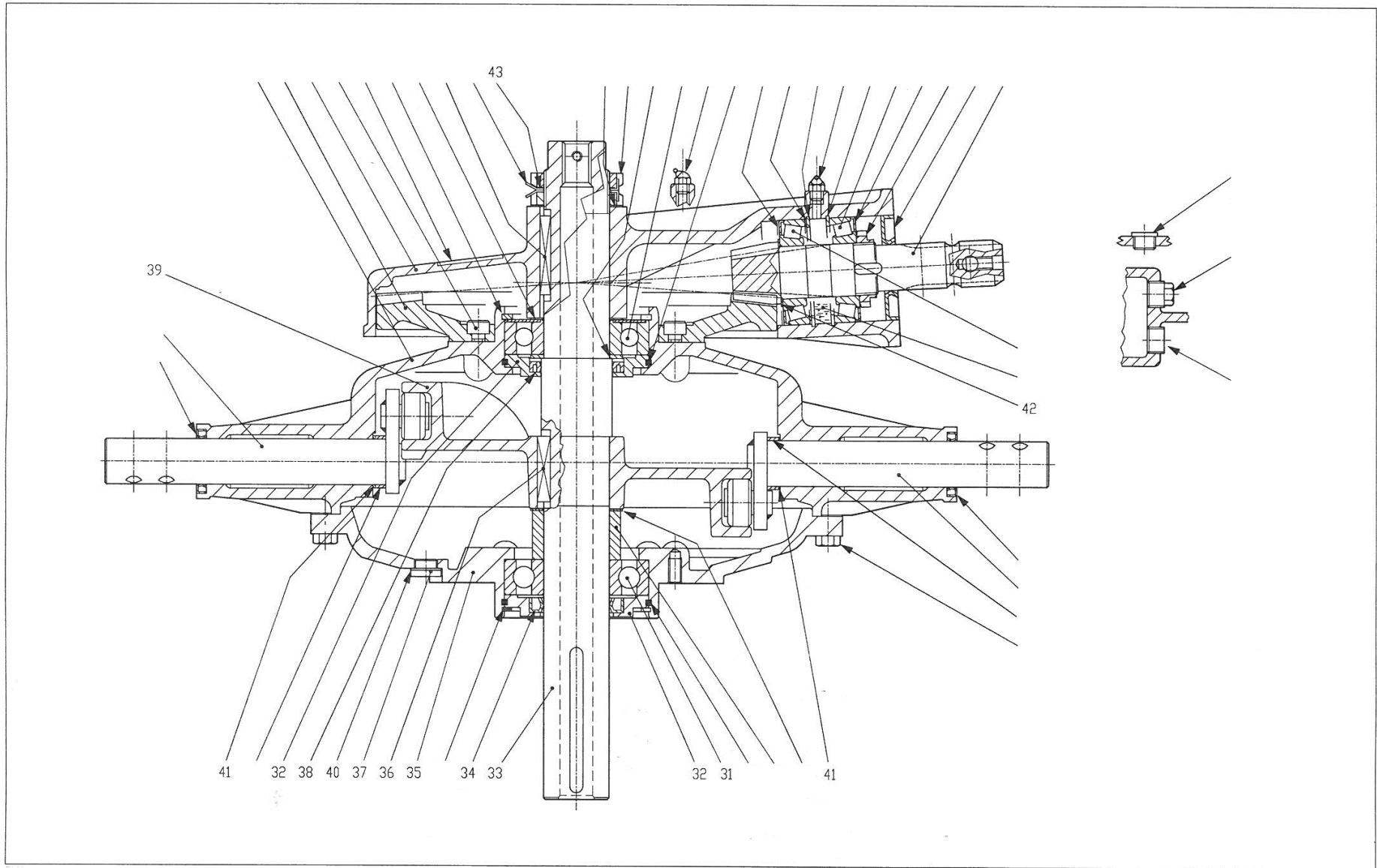


TABLE 14

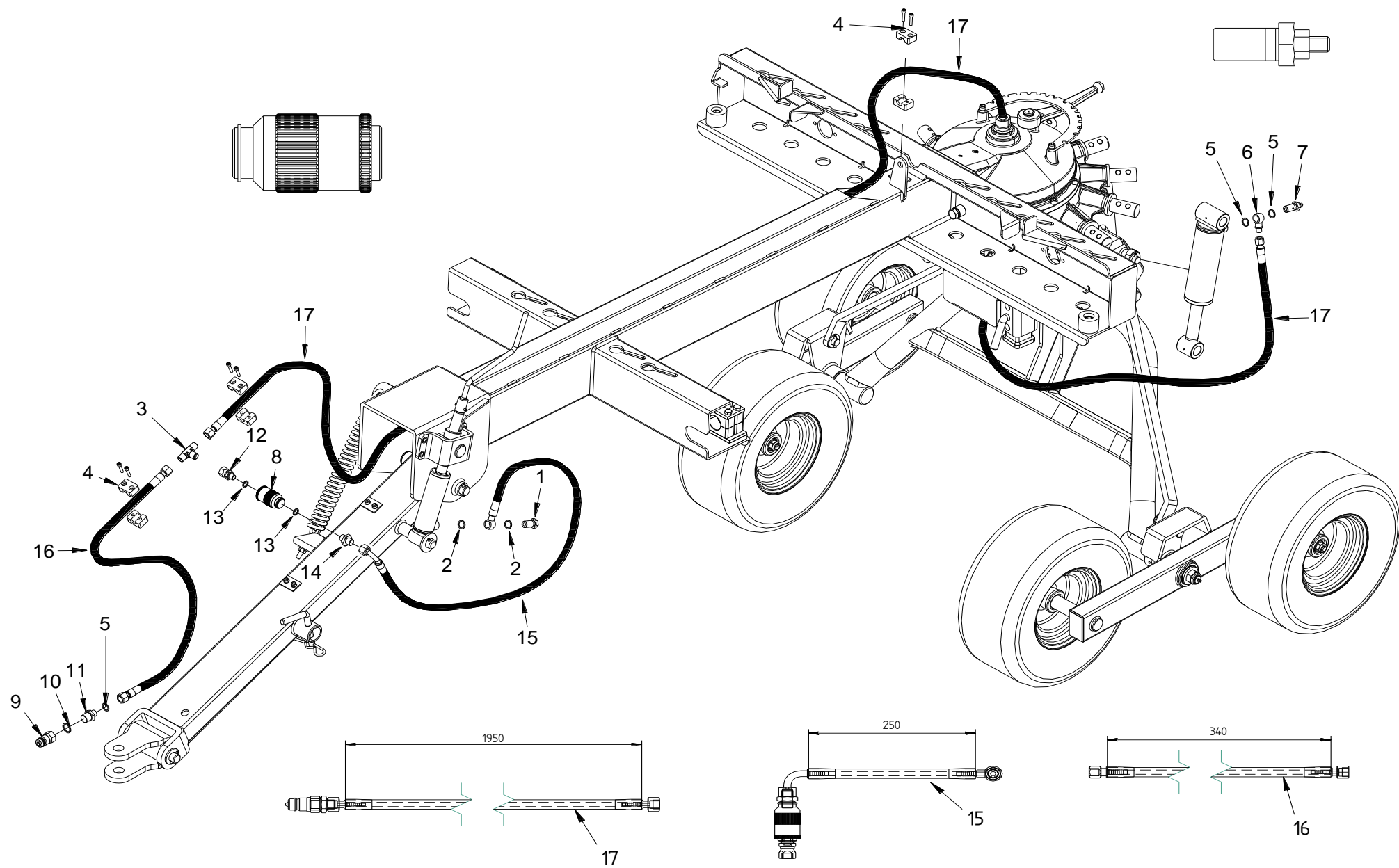


TABLE 15
Pittogrammi ed etichette - Safety labels and stickers - Étiquettes et stickers - Etiquetas de seguridad

TABLE 15

Nr.	CODICE - CODE - CODE - CÓDIGO	DESCRIZIONE	DESCRIPTION	DESCRIPTION	DESCRIPCION	Q.ty
1	9270109					4
2	9270048					2
3	9270164					1
4	9270043					2
10	9270075					..
11		KIT (1 + 2 + 3 + 4)				



Spare parts form

When ordering spare parts please make photo stats of this order form, fill out and mail or fax it directly to us at this address:

H&S
 2608 S. Hume Avenue
 P.O. Box 768 • Telephone (715) 387-3414
 FAX (715) 384-5463 • Website www.hsmfgco.com
 Marshfield, WI 54449

To ensure prompt assistance and replacement of parts always supply below required information, thank you.

company name			
Invoice address			
Country			
Destination of goods If different from above			
Pos.	Code number	Description	Quantity



Rev./Issue Rev./Rev.	Modifica / Change / Changement / Modificación	Pagine / Pages Pages / Páginas	Data / Date Date / Fecha
4	Esploso ruote (tav.4, 7 e 11)	68, 69, 76, 77, 78, 79, 84, 85	1/2016
4a	SP: changed code of item 8 table 13	91	2/2016
5	SP: improvement of tables 1 and 2 (graphic part) – tav.4: added items 14, 15 and 16	60, 62, 64, 68 and 69	11/2016
5a	AI: tav.16 added item 7 SP: tav.7 changed code of item 44	43 and 79	2/2017
5b	UM: changed safety pictograms SP: added table 15	13,14 and 93	5/2017
6	AI: tav.19 changed code item 5 and 6 SP: tav.1 changed code item 3 and 4 SP: tav. 8 and 9 added item 6	46, 60, 80 and 81	9/2017
7	SP: changed table 14, added item 4 ÷ 18	92 and 93	7/2018
8	OM: added grease and oil type	23 and 24	10/2018
8a	AI: tav.19 changed code item 4, added item 10 SP: tav.1 changed code item 2, added item 28	46, 60 and 61	6/2019
8b	AI: ass.7 eliminated item 5 SP: tav.6 eliminated washer for cylinder fixing	34, 72 and 74	2/2020
8c	AI: added ass.28 SP: tav.10 changed rear light kit	55, 82 and 83	5/2020

