



TD1136
TOP DOG
FORAGE BOX
PARTS BOOK

Part #95907

HSMFG071922 Rev. #00

Starting Ser. #TD1136.5 4ULJB3826PS004001

STRONG HERITAGE - STRONG PEOPLE - STRONGER FUTURE



FIGURE #	CONTENTS	PAGE #
*	INSTRUCTIONS FOR ORDERING PARTS	1
1	RH SIDE PANELS	2-3
2	RH SIDE EXTENSION PANELS	4-5
3	LH SIDE PANELS	6-7
4	LH SIDE EXTENSION PANELS	8-9
5	FRONT PANEL W/WINDOW	10-11
6	FRONT PANEL AND COMPONENTS	12-13
7	FLOOR HOLD DOWNS AND COMPONENTS	14-15
8	IDLER SHAFT AND COMPONENTS	16-17
9	DRIVE SHAFT AND COMPONENTS	18-19
10	FLOOR CHAIN	20-21
11	DRIVE SPROCKET LH	22-23
12	DRIVE SPROCKET RH	24-25
13	FRONT SHIELDS AND COMPONENTS	26-27
14	GLADHANDS AND COMPONENTS	28-29
15	AIR LINES AND COMPONENTS	30-31
16	HYDRAULICS	32-33
17	LANDING GEAR AND COMPONENTS	34-35
18	BUMPER AND COMPONENTS	36-37
19	AIR TANK AND COMPONENTS	38-39
20	SPRING SUSPENSION	40-41
21	AXLE SPRINGS AND COMPONENTS	42-43
22	CAMSHAFT AND COMPONENTS	44-45
23	BRAKES AND COMPONENTS	46-47
24	HUB AND COMPONENTS	48-49
25	ELECTRIC HARNESS AND LIGHTS	50-51
26	TOP PIVOT REAR DOOR W/HYD GATE DELAY	52-53
27	OPTIONAL FBOTPDSK SEAL KIT FOR TOP PIVOT DOOR	54-55
28	OPTIONAL TDO36RH ROOF HOOD	56-57
29	OPTIONAL TDOAIR54	58-63
	AIR RIDE SUSPENSION IN LIEU OF SPRING SUSPENSION	
30	OPTIONAL TDOESST36 ELEC DRIVE SIDE-TO-SIDE TARP	64-65
31	OPTIONAL TDOEAC	66-67
	ELEC ACTUATOR CONTROL FLIP DOWN FRONT	
32	OPTIONAL TIRES TWP425AW / TWP425SW	68-69
33	OPTIONAL TIRES TWP455AW / TWP455SW	70-71
34	OPTIONAL TIRES TWP825AW / TWP825SW	72-73
35	OPTIONAL TIRES TWP825AW/SW	74-75
*	PARTS NOTES	76



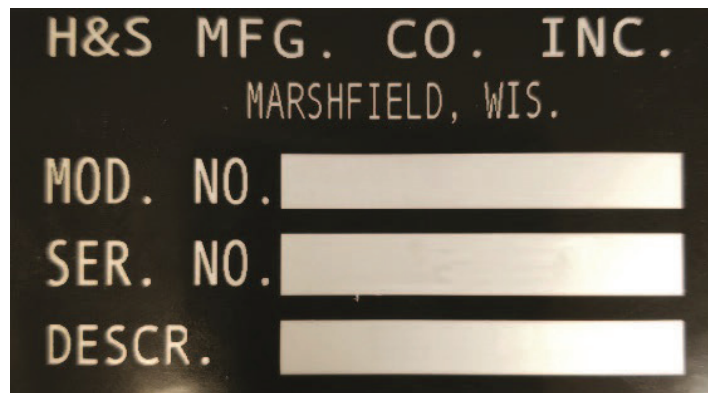
INSTRUCTIONS FOR ORDERING PARTS

All service parts should be ordered through your authorized H&S dealer. Your Dealership will be able to give you faster service if you will provide them with the following:

1. All references to left or right apply to the machine as viewed from the rear.
2. Parts should not be ordered from illustration only. Please order complete part number.
3. If your dealer has to order parts, give shipping instructions:

VIA truck - large pieces (please specify local truck lines)

VIA United Parcel Service (include full address)



MODEL & SERIAL # CAN BE LOCATED ON THE LEFT FRAME STRINGER BY THE JACK HANDLE

PLEASE RECORD NUMBERS FOR YOUR UNIT FOR QUICK REFERENCE

H&S IS CONTINUALLY STRIVING TO IMPROVE ITS PRODUCTS

We must, therefore, reserve the right to make improvements or changes whenever it becomes practical to do so, without incurring any obligation to make changes or additions to the equipment previously sold.



FIGURE 1
RH SIDE PANELS

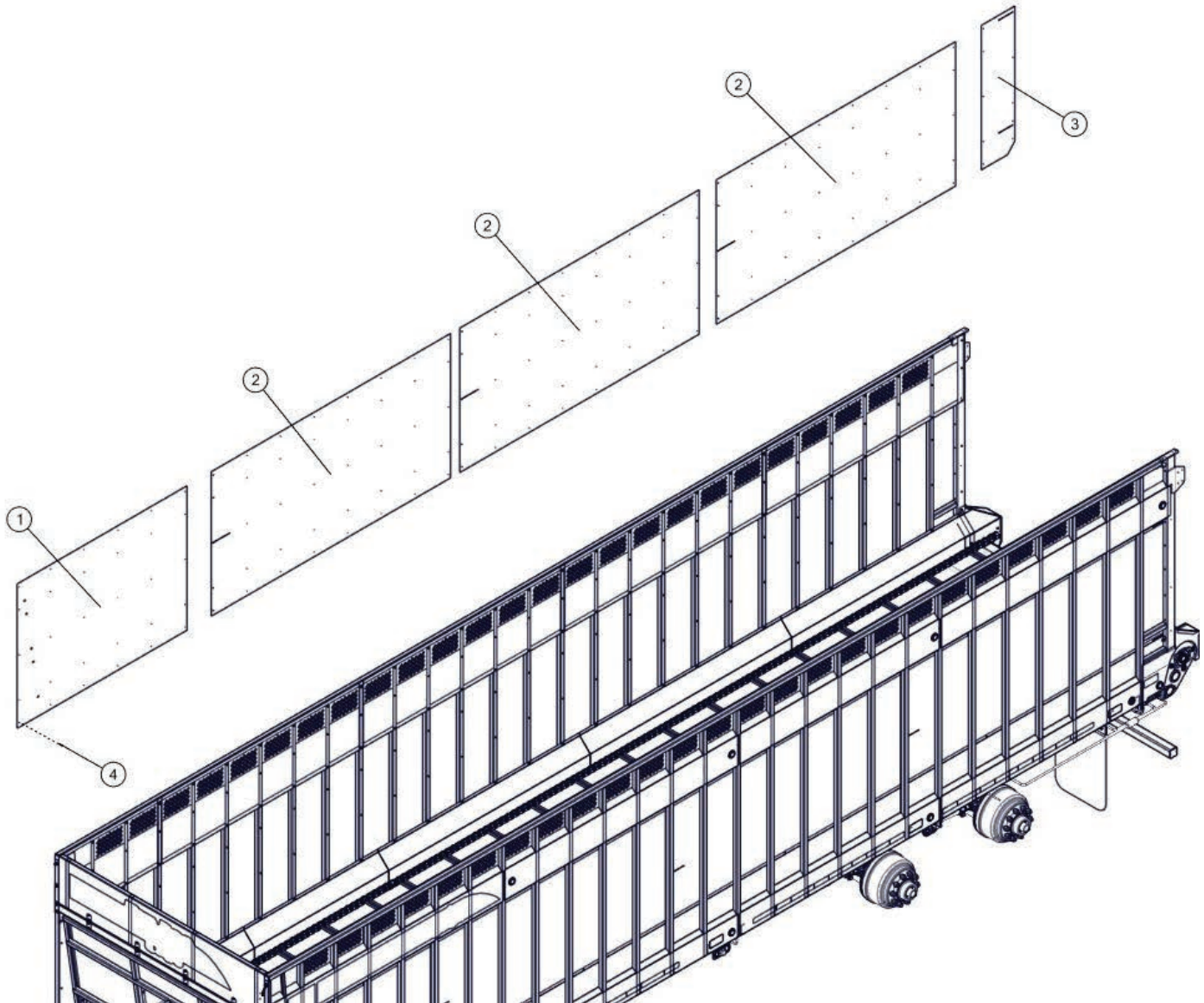




FIGURE 1
RH SIDE PANELS

REF #	PART #	DESCRIPTION	QTY
1	94420	SS PANEL, FRONT RH	1
2	94418	SS PANEL, CENTER	3
3	95891	STL PANEL, REAR	1
4	YSDR66007	SCR SELF DRILL, HEX WASH HD, #12-14 X 1-1/4 ZC	139





FIGURE 2
RH SIDE EXTENSION PANELS

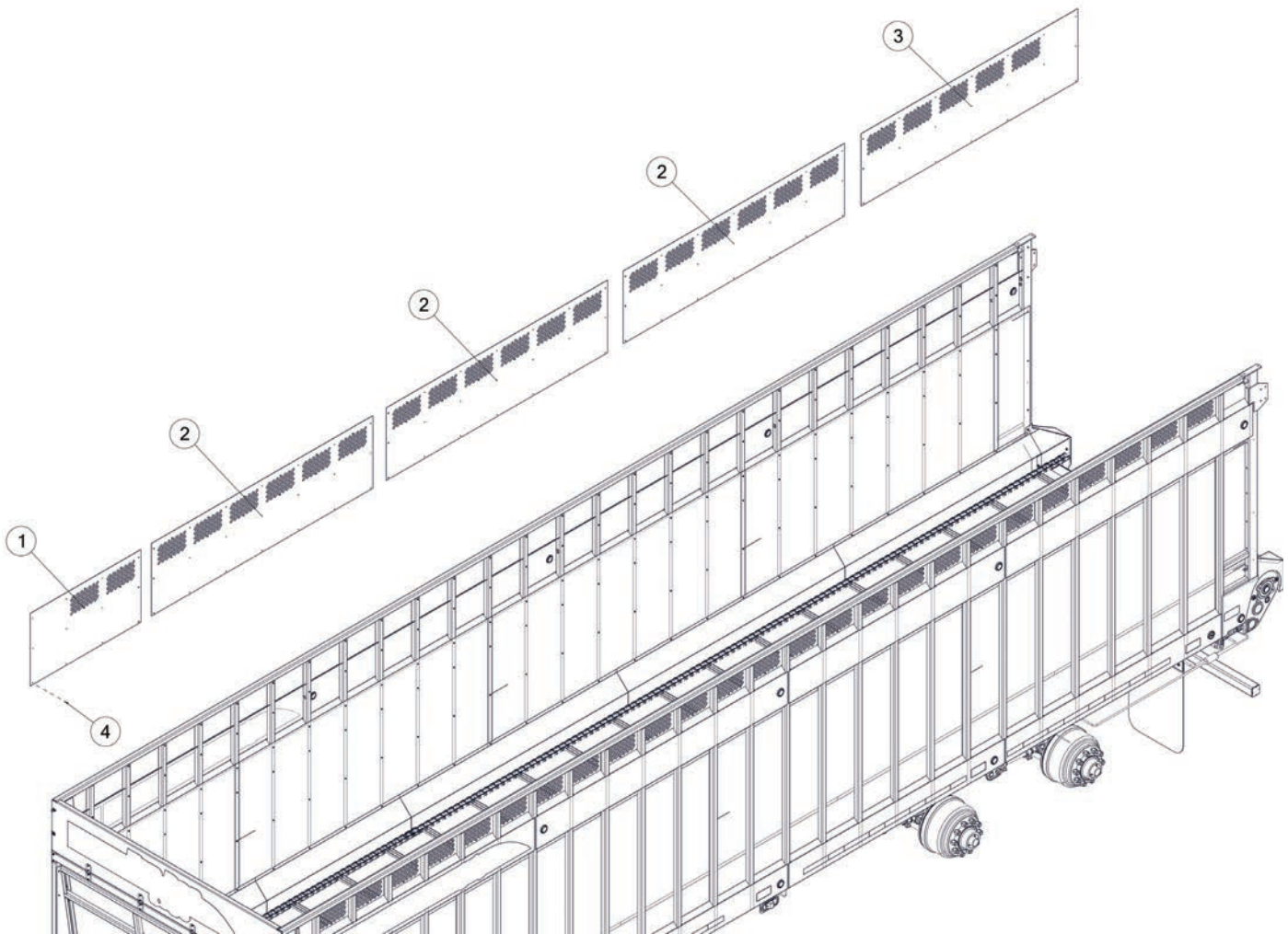




FIGURE 2 RH SIDE EXTENSION PANELS

REF #	PART #	DESCRIPTION	QTY
1	94377	SIDE EXTENSION, FRONT	1
2	94376	SIDE EXTENSION, CENTER	3
3	94378	SIDE EXTENSION, REAR	1
4	YSDR66007	SCR SELF DRILL, HEX WASH HD, #12-14 X 1-1/4 ZC	83





FIGURE 3
LH SIDE PANELS

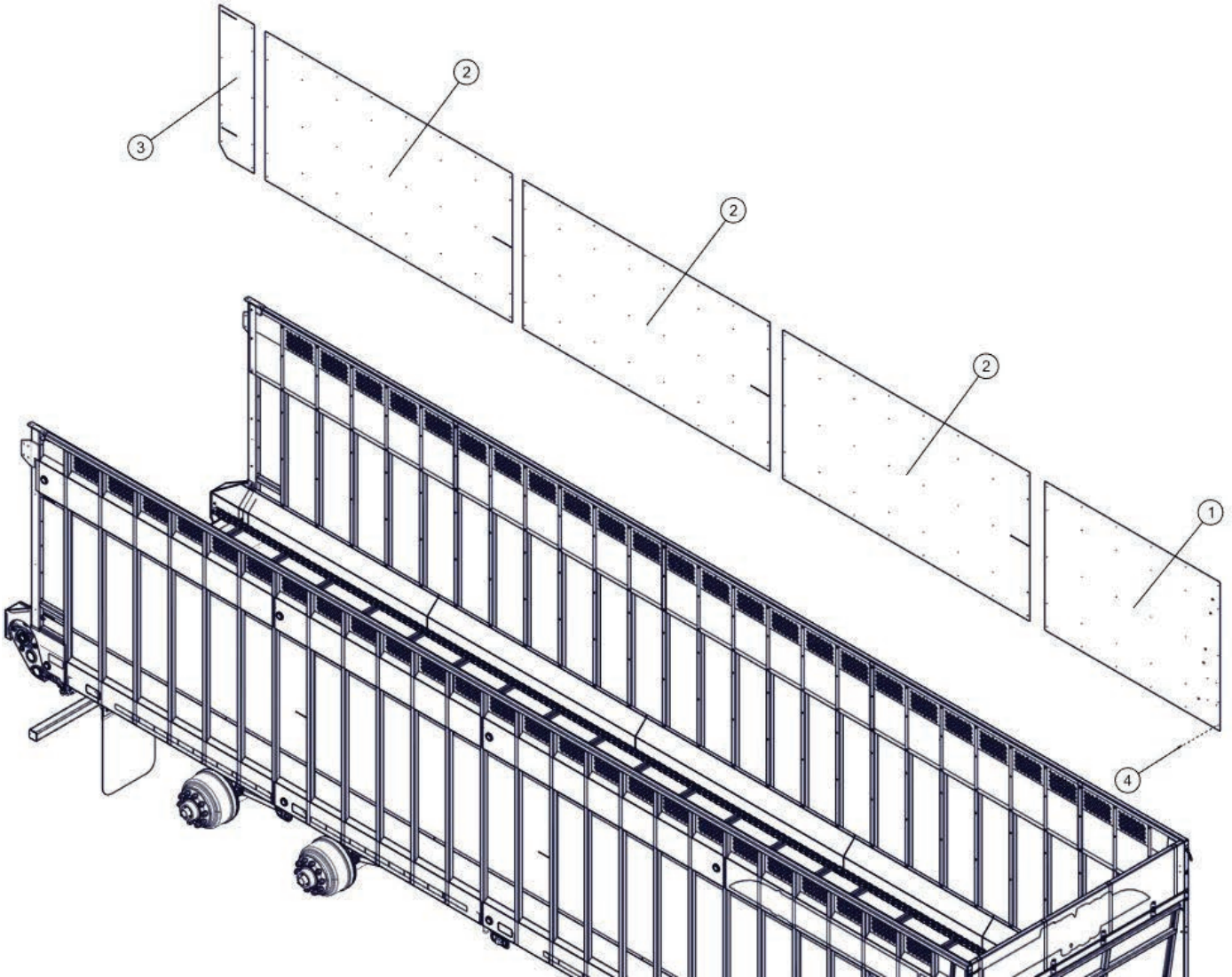




FIGURE 3

LH SIDE PANELS

REF #	PART #	DESCRIPTION	QTY
1	94424	SS PANEL, FRONT LH	1
2	94418	SS PANEL, CENTER	3
3	95891	STL PANEL, REAR	1
4	YSDR66007	SCR SELF DRILL, HEX WASH HD, #12-14 X 1-1/4 ZC	139





FIGURE 4
LH SIDE EXTENSION PANELS

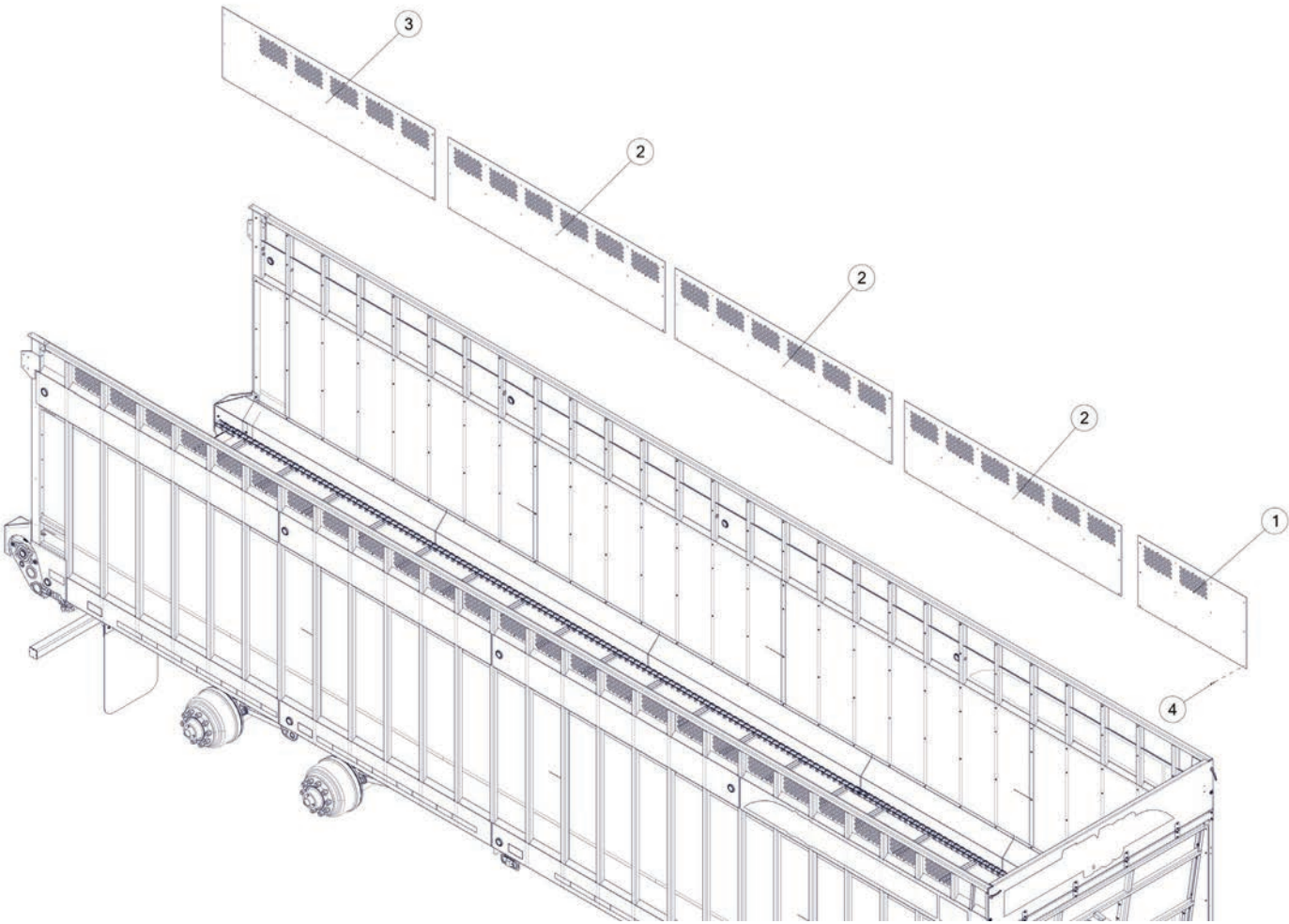




FIGURE 5
FRONT PANEL W/WINDOW

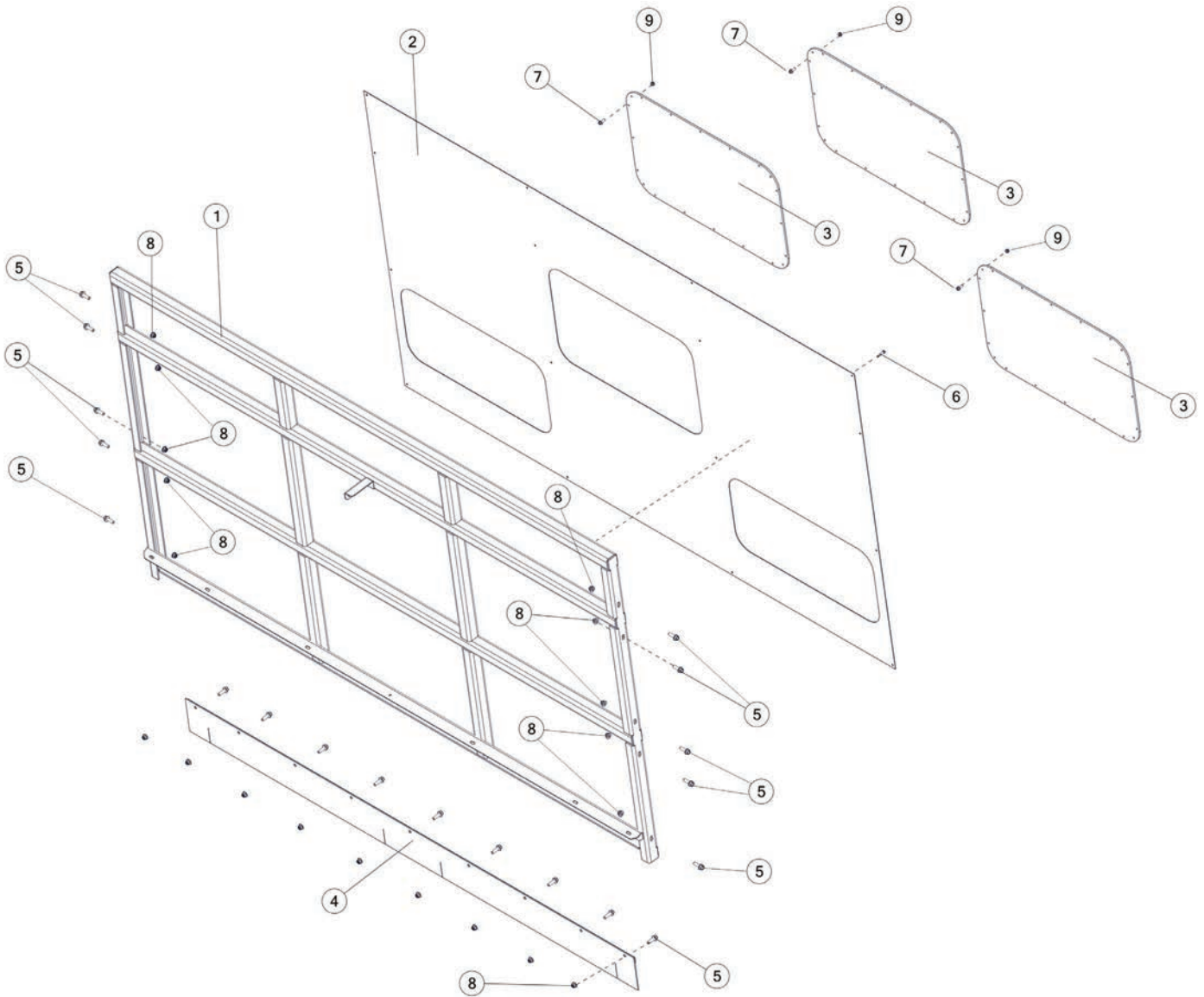




FIGURE 5
FRONT PANEL W/WINDOW

REF #	PART #	DESCRIPTION	QTY
1	94474	FRAME, FRONT WALL	1
2	94546	FRONT PANEL	1
3	55839	WINDOW WITH HOLES	3
4	94473	FRONT SEAL RUBBER	1
5	YBFB12125	BOLT FLANGE, 3/8 X 1-1/4 G5	19
6	YSDR66007	SCR SELF DRILL, HEX WASH HD, #12-14 X 1-1/4 ZC	16
7	YBFB08075	BOLT FLANGE, 1/4 X 3/4 G5	60
8	YNFG12006	NUT FLANGE, 3/8 GF	19
9	YNFG08010	NUT FLANGE, 1/4 GF	60





FIGURE 6 FRONT PANEL AND COMPONENTS

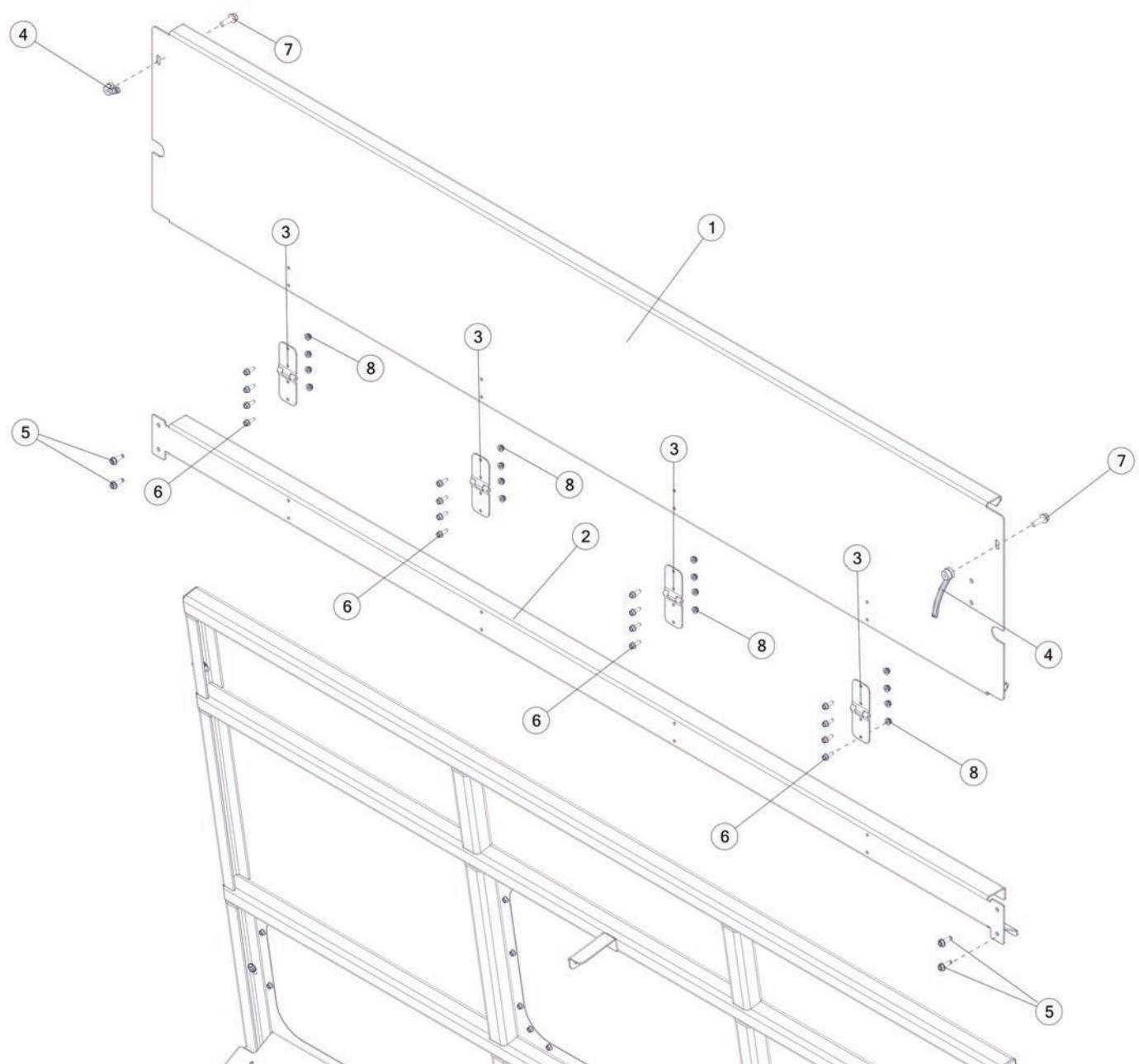




FIGURE 7 FLOOR HOLD DOWNS AND COMPONENTS

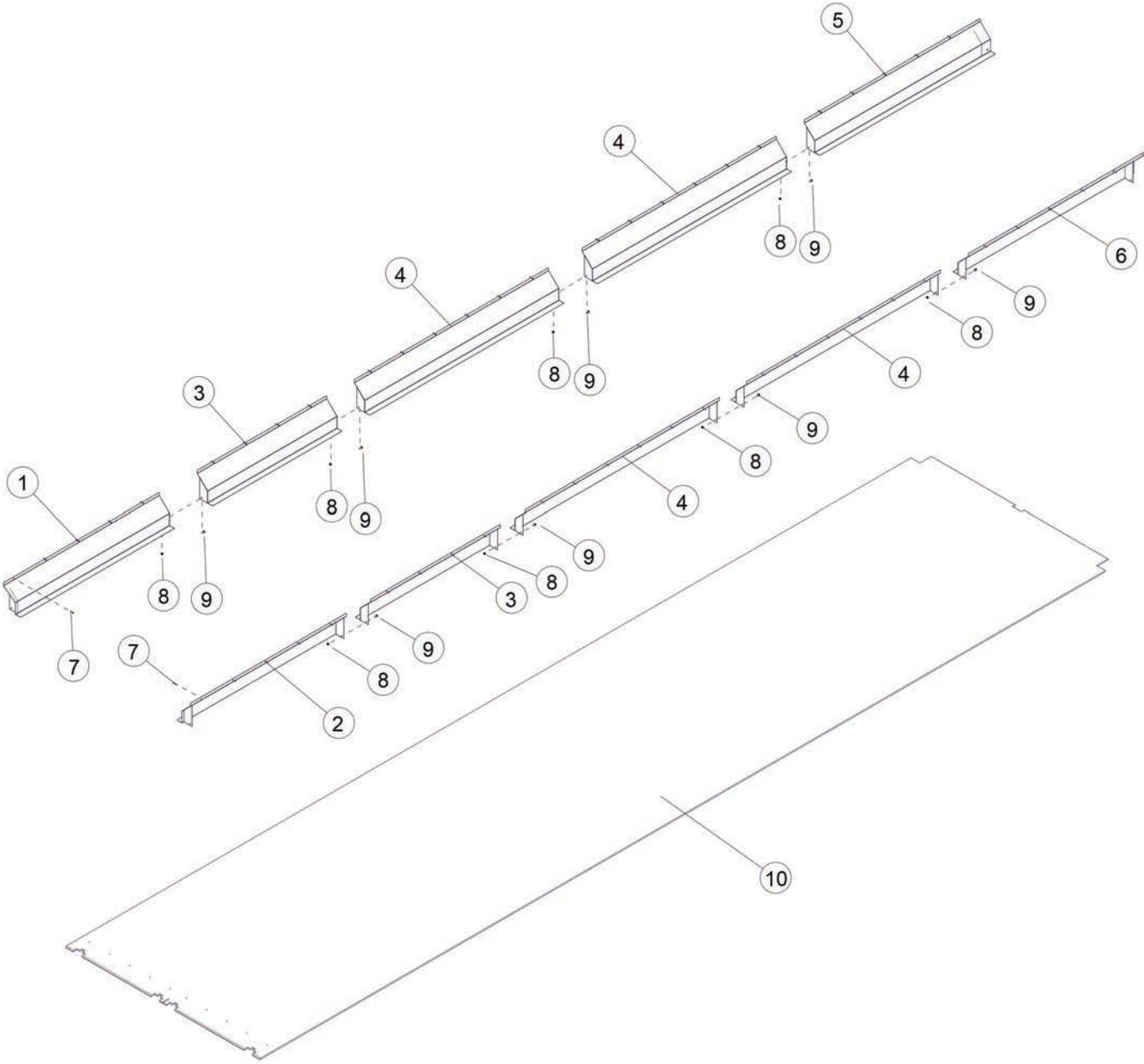
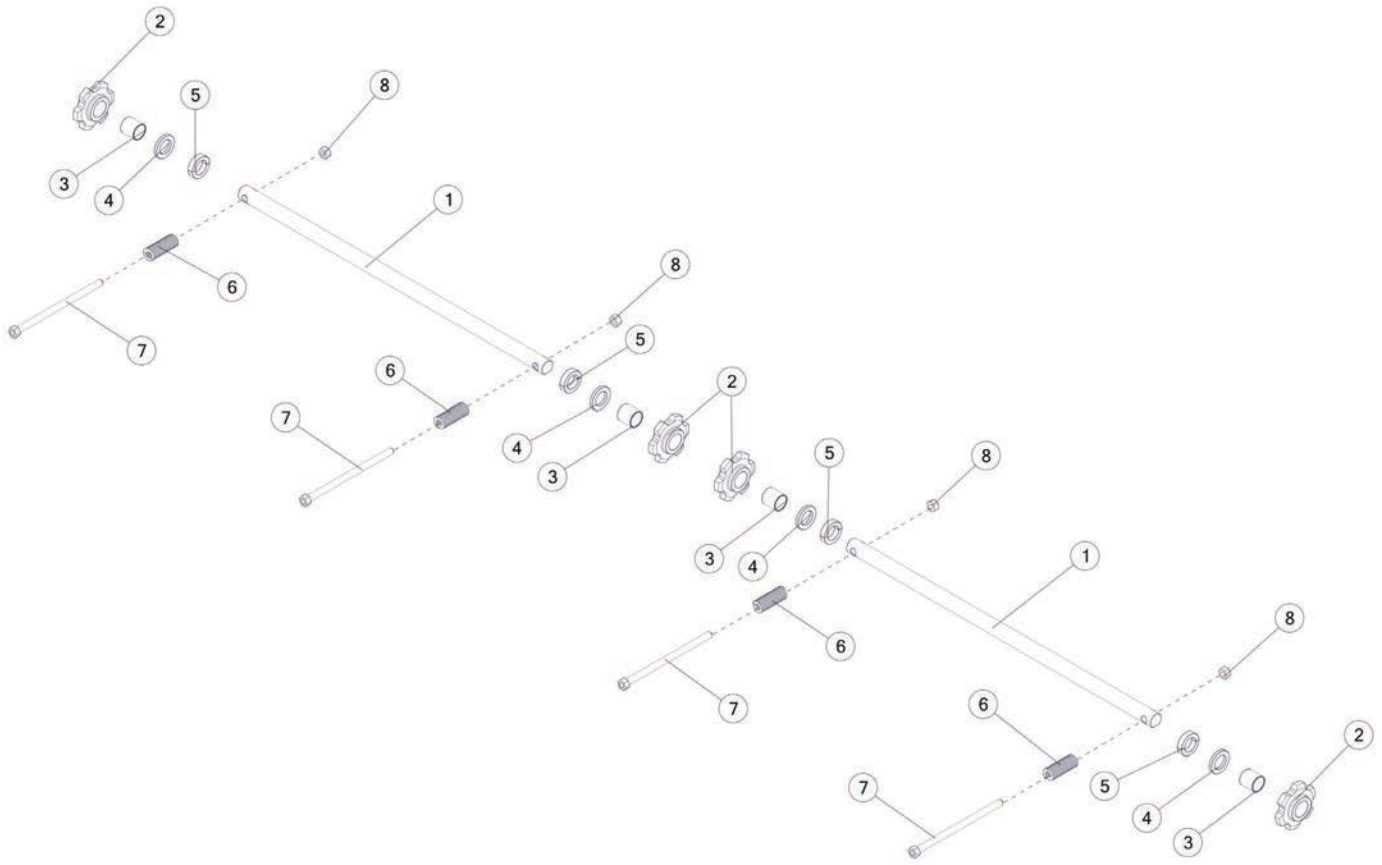




FIGURE 8 IDLER SHAFT AND COMPONENTS



**FIGURE 8
IDLER SHAFT AND COMPONENTS**

REF #	PART #	DESCRIPTION	QTY
1	BBS29	IDLER SHAFT, FRONT	2
2	BBSTSH07	IDLER SPROCKET, 88, C, 6	4
3	RGT3	BRONZE BUSHING, 2 X 1.77 X 2	4
4	BBSTPL05	IDLER SPROCKET POLY SPACER	4
5	8340	STEEL SPLIT SHAFT COLLAR	4
6	BBS35	COMPRESSION SPRING	4
7	BBS34	TIGHTENER ROD	4
8	YNHX24004	NUT HEX, 3/4-10 NA G5 ZC	4



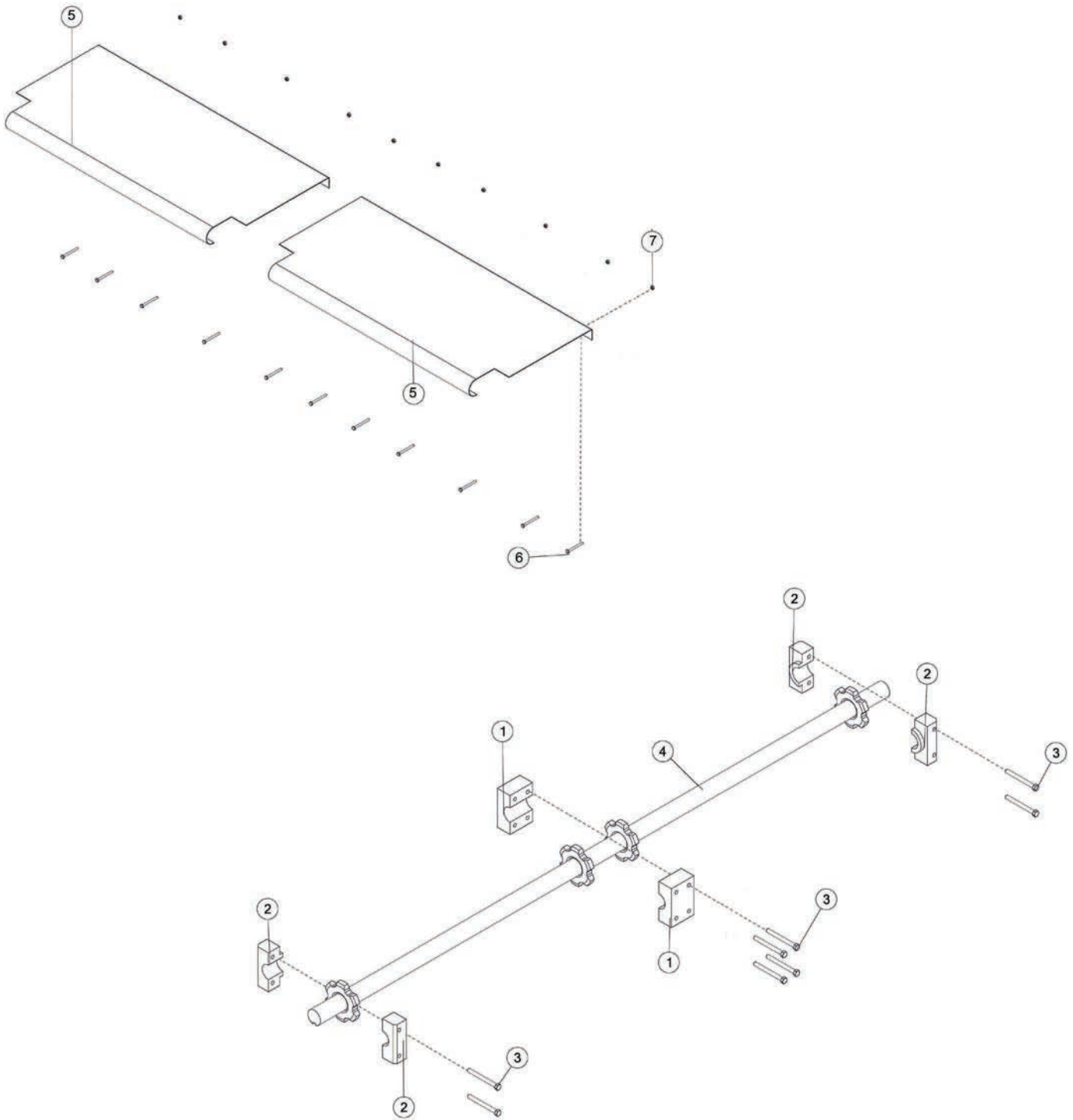




FIGURE 9 DRIVE SHAFT AND COMPONENTS

REF #	PART #	DESCRIPTION	QTY
1	BBS62	DRIVE SHAFT BRACKET	2
2	95902	OUTER DRIVE SHAFT BEARING	4
3	YBFB16500	BOLT FLANGE, 1/2 X 5 G5	10
4	95888	DRIVE SHAFT, 1100.5	1
5	93726	DRIVE SHAFT COVER	2
6	YBFB08250	BOLT FLANGE, 1/4 X 2-1/2 G5	10
7	YNFG08010	NUT FLANGE, 1/4	10





FIGURE 10
FLOOR CHAIN

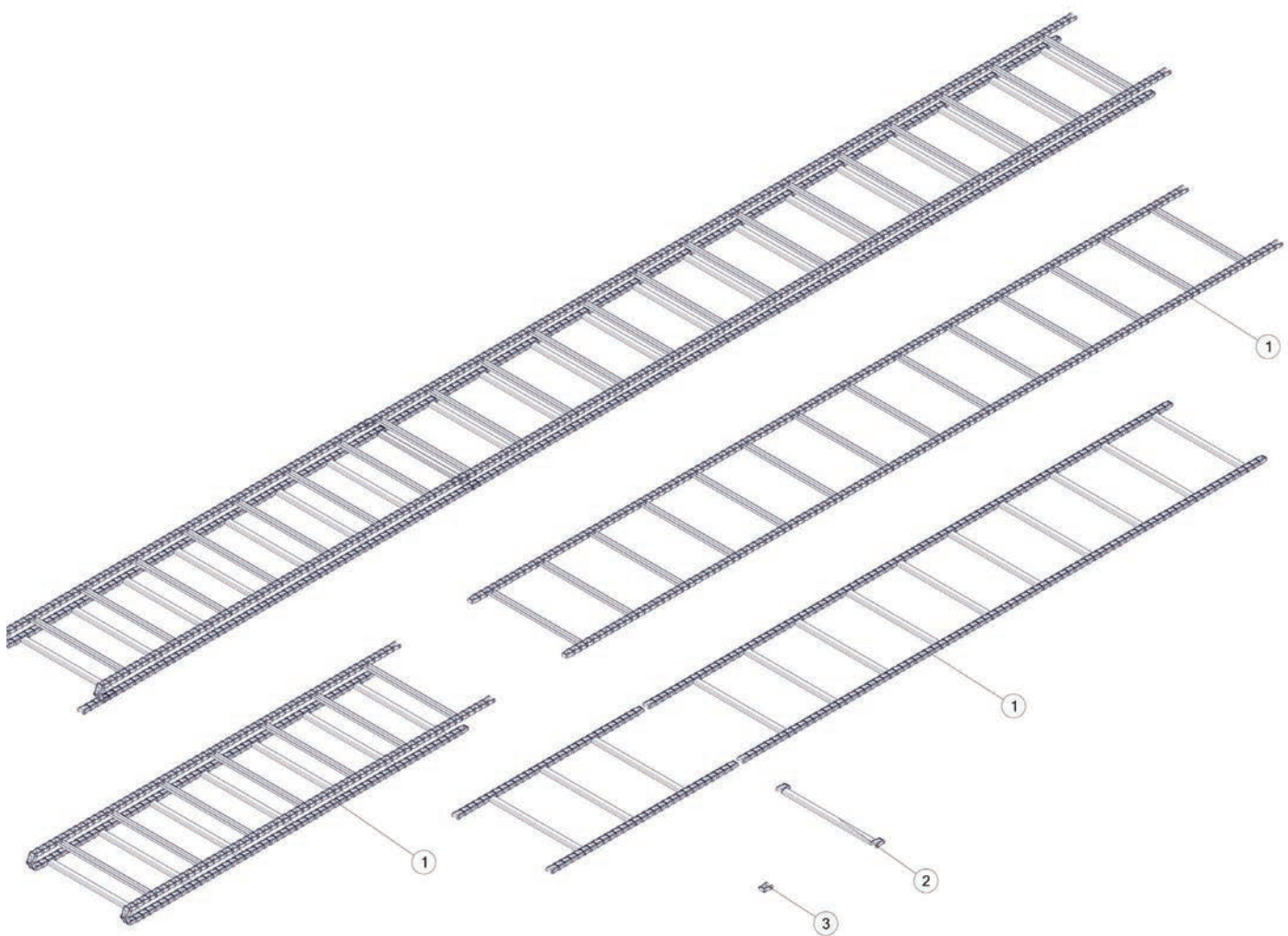




FIGURE 11

DRIVE SPROCKET LH

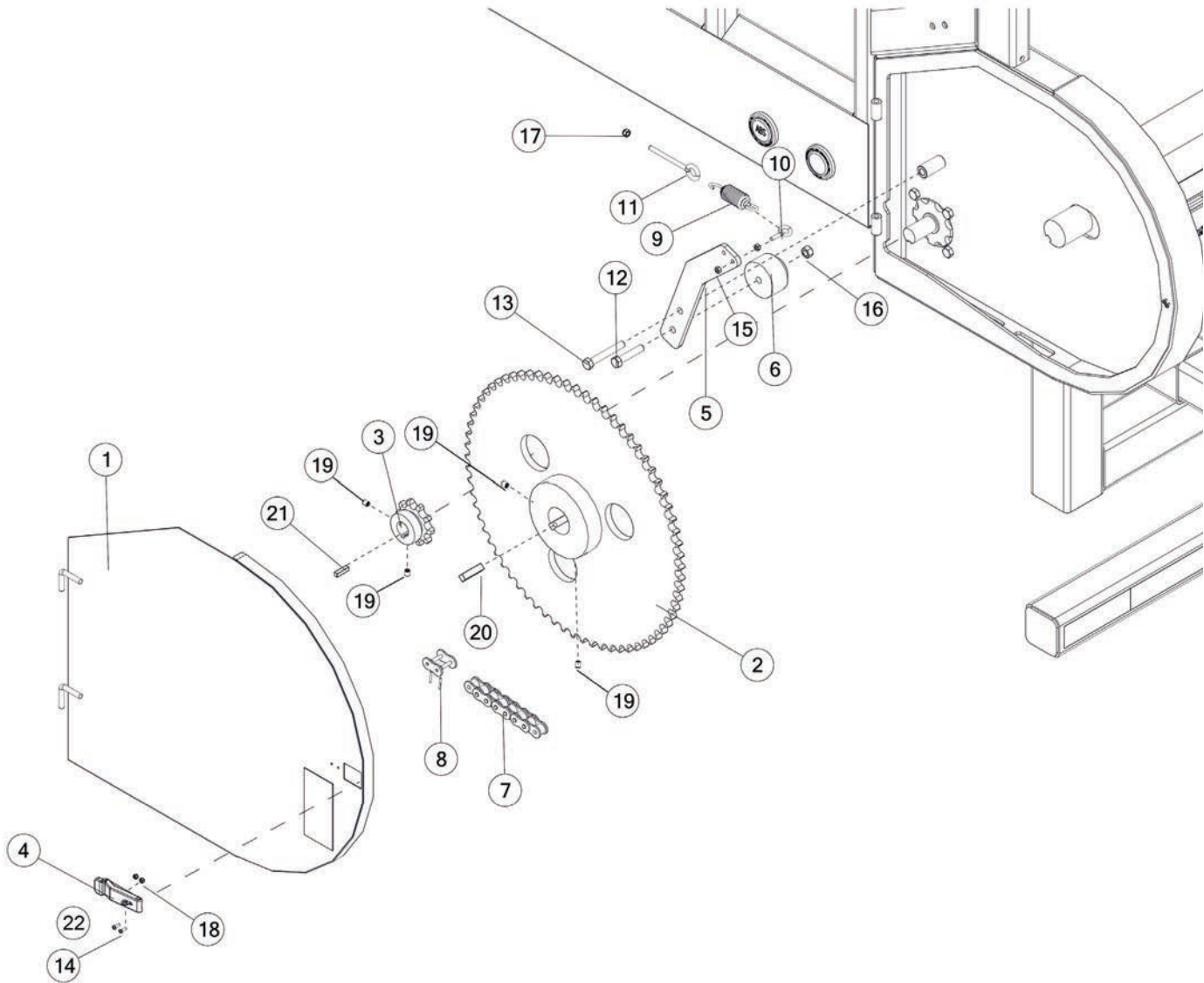




FIGURE 11 DRIVE SPROCKET LH

REF #	PART #	DESCRIPTION	QTY
1	82113B	LH CHAIN CASE SHIELD	1
2	BBS60	DRIVEN SPROCKET	1
3	BBS61	DRIVE SPROCKET	1
4	80180	DRAW LATCH	1
5	BBS9	TIGHTENER BAR	1
6	BBS10	POLY TIGHTENER	1
7	1042	ROLLER CHAIN	1
8	IFB17	CONNECTOR LINK	1
9	GM410	EXTENSION SPRING	1
10	YBTE08005	BOLT TURNED EYE, 1/4 X 1	1
11	YBTE10040	BOLT TURNED EYE, 5/16 X 4	1
12	YBHH16080	BOLT HEX, 1/2 X 2-1/2 G5	1
13	YBFB16400	BOLT FLG, 1/2 X 4 G5	1
14	YSPP62006	SCREW PAN HEAD, #8-32 X 1/2	2
15	YNHX08005	NUT HEX, 1/4	2
16	YNRL16005	NUT HEX, REVERSIBLE-SIDE LOCK, 1/2	1
17	YNFG10005	NUT FLANGE, 5/16	1
18	YNNY62005	NUT HEX, 8-32 G2	2
19	YSKP12010	SCREW SET, 3/8 X 1/2	4
20	BBS59	SQUARE KEY, 1/2 X 2	1
21	G23A	SQUARE KEY, 5/16 X 1-1/4	1
22	YPLY08011	LYNCH PIN, 1/4 X -9/16	1



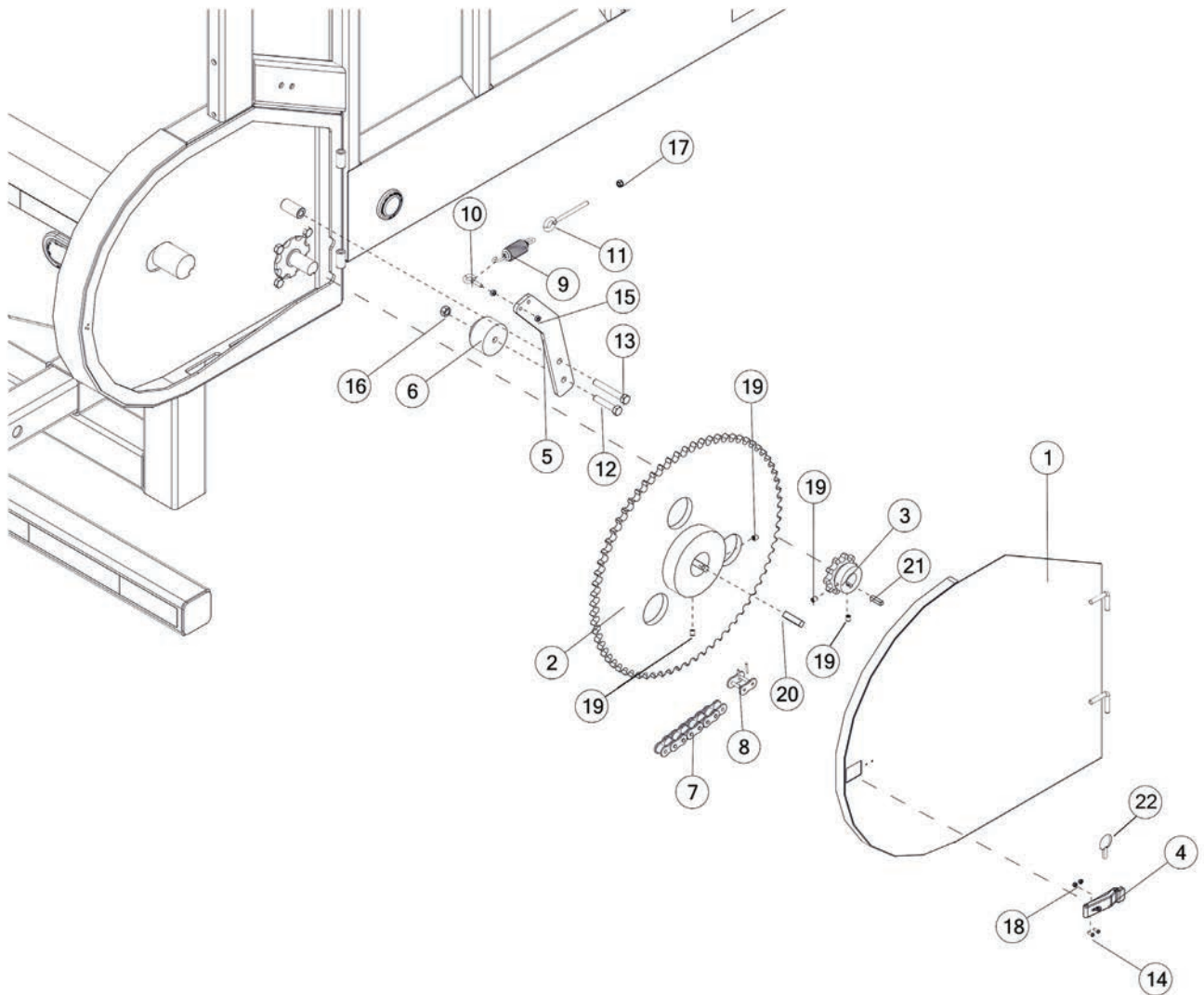




FIGURE 12

DRIVE SPROCKET RH

REF #	PART #	DESCRIPTION	QTY
1	82112B	CHAIN CASE SHIELD RH W/DECAL	1
2	BBS60	DRIVEN SPROCKET	1
3	BBS61	DRIVE SPROCKET	1
4	80180	DRAW LATCH	1
5	BBS9	TIGHTENER BAR	1
6	BBS10	POLY TIGHTENER	1
7	1042	ROLLER CHAIN	1
8	IFB17	CONNECTOR LINK	1
9	GM410	EXTENSION SPRING	1
10	YBTE08005	BOLT TURNED EYE, 1/4 X 1	1
11	YBTE10040	BOLT TURNED EYE, 5/16 X 4	1
12	YBHH16080	BOLT HEX, 1/2 X 2-1/2 G5	1
13	YBFB16400	BOLT FLANGE, 1/2 X 4 G5	1
14	YSPP62006	SCREW PAN HEAD, #8-32 X 1/2	2
15	YNHX08005	NUT HEX, 1/4	2
16	YNRL16005	NUT HEX, REVERSIBLE-SIDE LOCK, 1/2	1
17	YNFG10005	NUT FLANGE, 5/16	1
18	YNNY62005	NUT HEX, 8-32 G2	2
19	YSKP12010	SCREW SET, 3/8 X 1/2	4
20	BBS59	SQUARE KEY, 1/2 X 2	1
21	G23A	SQUARE KEY, 5/16 X 1-1/4	1





FIGURE 13 FRONT SHIELDS AND COMPONENTS

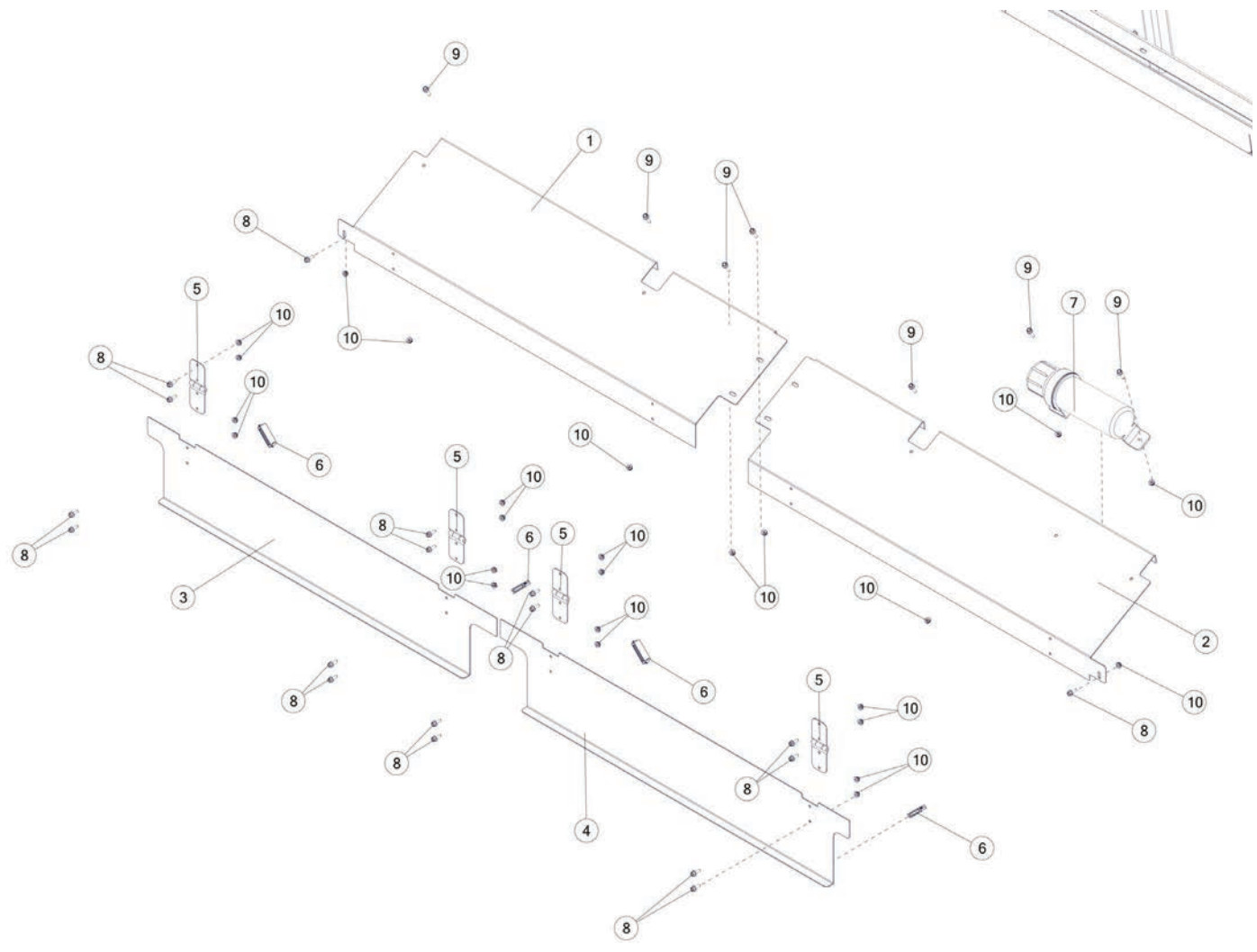




FIGURE 13
FRONT SHIELDS AND COMPONENTS

REF #	PART #	DESCRIPTION	QTY
1	94467	FRONT SHIELD	1
2	94468B	FRONT SHIELD SLANT W/DECALS, LH	1
3	94453B	SHIELD W/DECALS, FRONT LH	1
4	94470B	SHIELD W/DECALS, FRONT RH	1
5	82134	HINGE	4
6	82222	MAGNET, 14 LB	4
7	S522	MANUAL HOLDER	1
8	YBFB08075	BOLT FLANGE, 1/4 X 3/4 G5	18
9	YBFB08100	BOLT FLANGE, 1/4 X 1 G5	7
10	YNFG08010	NUT FLANGE, 1/4 GF	25





FIGURE 14 GLADHANDS AND COMPONENTS

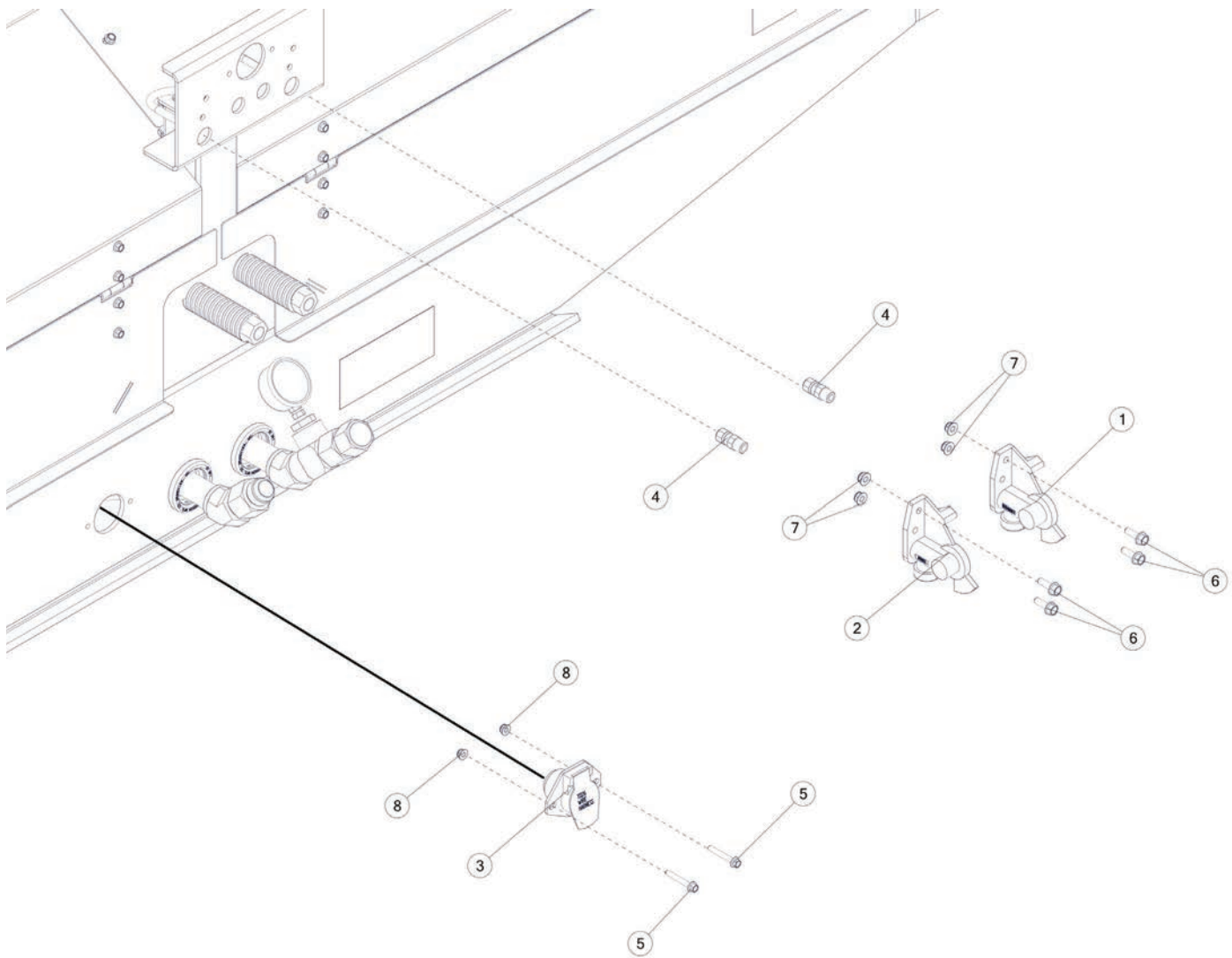




FIGURE 14

GLADHANDS AND COMPONENTS

REF #	PART #	DESCRIPTION	QTY
1	1015	37 DEGREE EMERGENCY GLADHAND, RED	1
2	1014	37 DEGREE SERVICE GLADHAND, BLUE	1
3	78653	ELEC HARNESS, FRONT TRUCK	1
4	1032	MALE CONNECTOR, 3/8	2
5	YBFB08175	BOLT FLANGE, 1/4 X 1-3/4 G5	2
6	YBFB10001	BOLT FLANGE, 5/16 X 1 G5	4
7	YNFG10005	NUT FLANGE, 5/16 GF	4
8	YNFG08010	NUT FLANGE, 1/4 GF	2





FIGURE 15 AIR LINES AND COMPONENTS

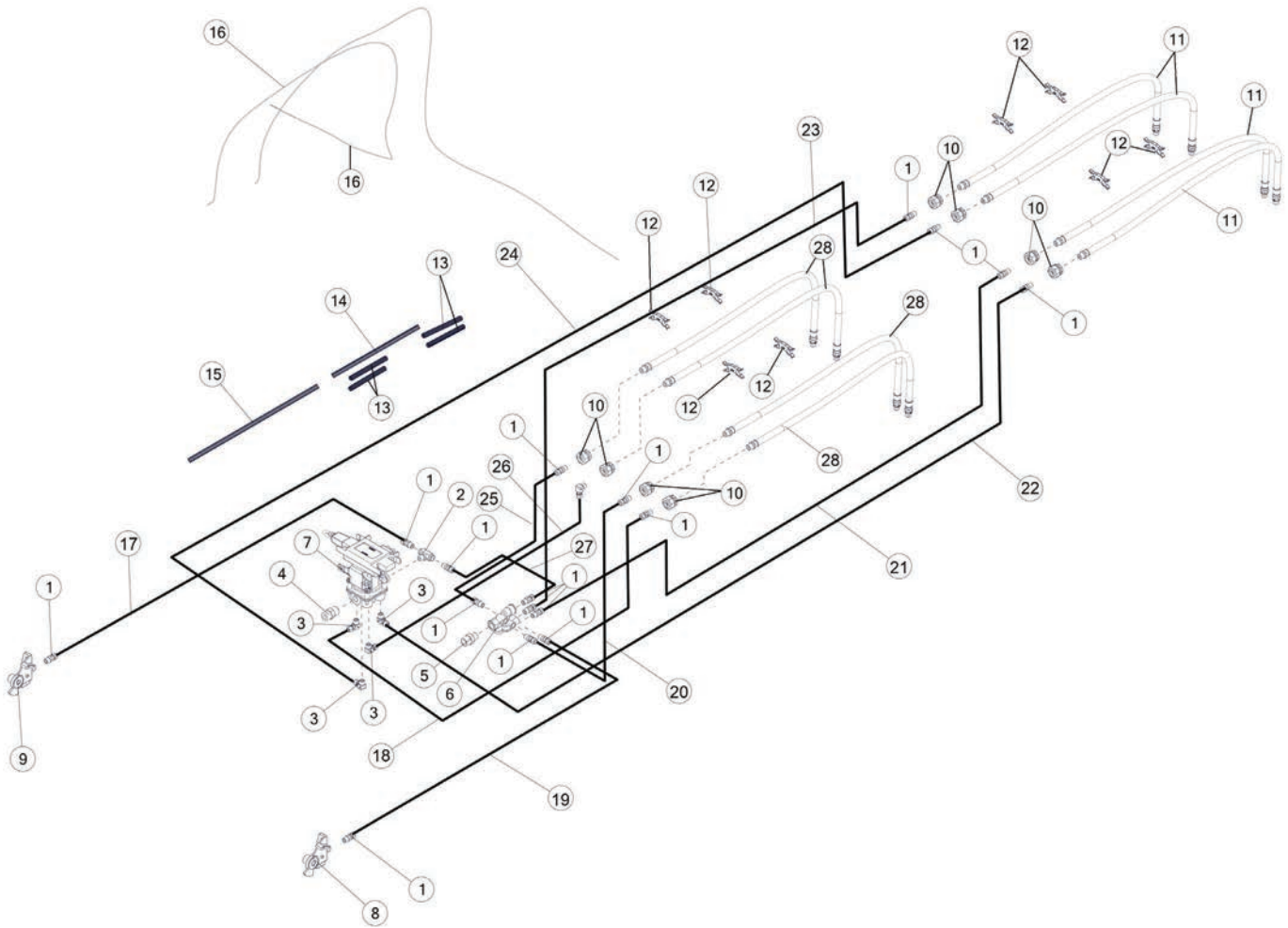




FIGURE 15

AIR LINES AND COMPONENTS

REF #	PART #	DESCRIPTION	QTY
1	1032	MALE CONNECTOR, 3/8	17
2	WM146	MALE BRANCH TEE	1
3	55798	FITTING ELBOW, 3/8 NPT	5
4	LW98	FITTING STRAIGHT, 12NPT X 12NPT	1
5	61584	FITTING STRAIGHT, 12NPT X 8NPT	1
6	1010	ABS SPRING BRAKE VALVE	1
7	1013	MERITOR WABCO ABS KIT 2S/1M	1
8	1015	37 DEGREE EMERGENCY GLADHAND, RED	1
9	1014	37 DEGREE SERVICE GLADHAND, BLUE	1
10	1114	BULKHEAD NIPPLE, 3/8 x 3/8	8
11	1116	HOSE, BACK	4
12	79676	HOSE SEPARATOR	8
13	93927	WIRE LOOM, 1/2 BLK SLT 6	4
14	93953	WIRE LOOM, 1/2 BLK SLT 12	1
15	93954	WIRE LOOM, 1/2 BLK SLT 18	1
16	55759	ABS ELECTRICAL LINE	2
17	94581	SUPPLY LINE, 380	1
18	55633	SUPPLY LINE, 25-1/2 BLUE	1
19	94577	EMERGENCY AIR LINE, 380	1
20	55632	EMERGENCY LINE, 19-1/2 RED	1
21	94596	EMERGENCY LINE, 70 RED	1
22	94636	SUPPLY LINE, 81 BLUE	1
23	94598	EMERGENCY LINE, 77 RED	1
24	94600	SUPPLY LINE, 70-1/2 BLUE	1
25	1109	EMERGENCY LINE, 22 RED	1
26	55631	SUPPLY LINE, 10 BLUE	1
27	55634	SUPPLY LINE, 15 BLUE	1
28	1115	HOSE, FRONT	4





FIGURE 16

HYDRAULICS

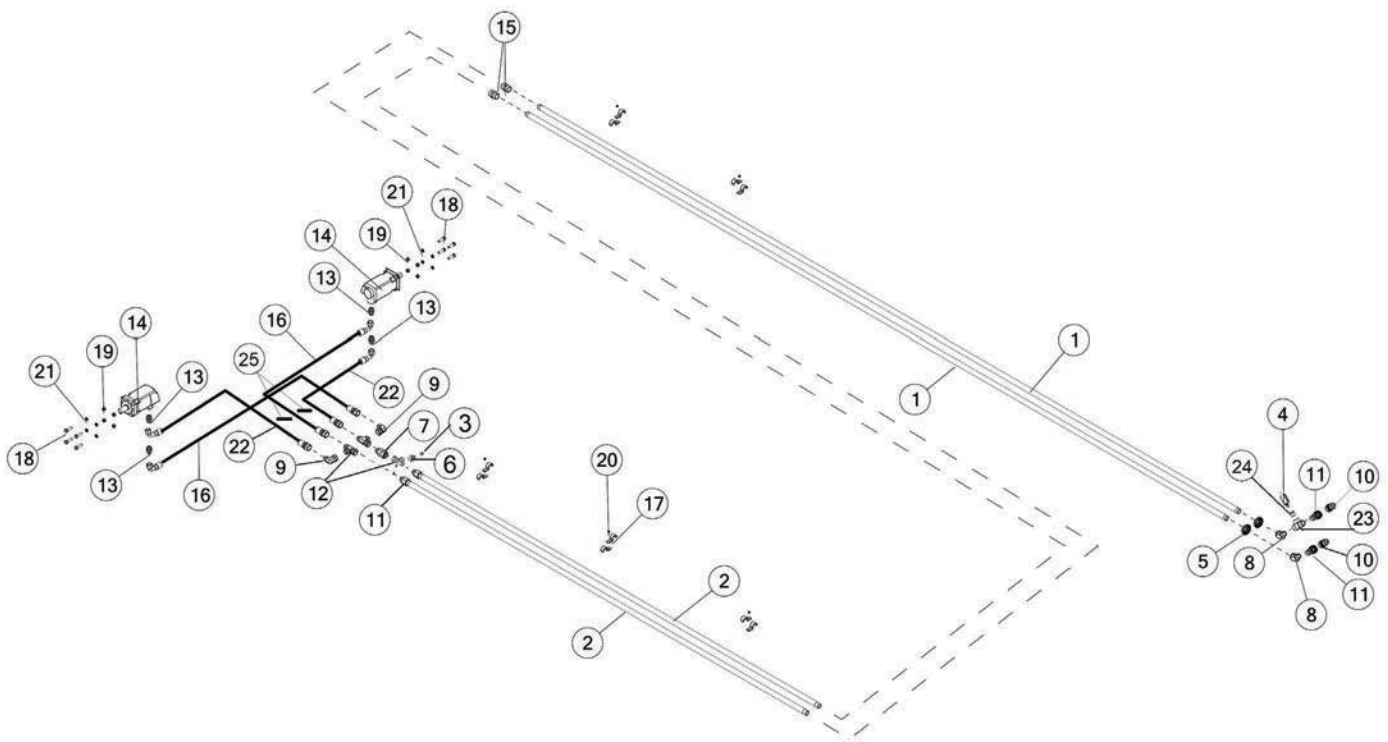




FIGURE 16

HYDRAULICS

REF #	PART #	DESCRIPTION	QTY
1	BBSTPI02	HYDRAULIC LINE	2
2	79549	HYDRAULIC LINE	2
3	83114	FITTING CAP, 6JIC	1
4	BBS33	4000 PSI GAUGE	1
5	BBS91	ROUND LIGHT GROMMET	2
6	CHM183	REDUCER	1
7	53829	CHECK VALVE	1
8	79550	FITTING, 45, 1NPT X 1NPT	2
9	8021	SWIVEL NUT ELBOW	2
10	94737	FITTING CAP, 16JIC	2
11	BBS65	FEMALE CONNECTOR	4
12	CHM182	SWIVEL NUT RUN TEE	2
13	SD273	FITTING, ST, 12JIC, 12ORB	4
14	33SV73	HYDRAULIC MOTOR	2
15	BBS85	MALE PIPE COUPLING	2
16	BBSTMS18	HYDRAULIC HOSE, MOTOR RETURN	2
17	BBS86	PIPE CLAMP	16
18	YBHH16065	BOLT HEX, 1/2-13 X 2 G5 ZC	8
19	YNFG16003	NUT FLANGE, 1/2 GF	8
20	YNNY08005	NUT HEX, 1/4 G2	5
21	83114	FITTING CAP, 6JIC	8
22	BBSTMS17	HYDRAULIC HOSE, PRESSURE TO MOTOR	2
23	DWM113	SERVICE TEE	1
24	BBS37	BUSHING, 1" NPTF TO 1/4" NPTF - 5406-16-4	1
25	T223	HOSE CLAMP	2





FIGURE 17

LANDING GEAR AND COMPONENTS

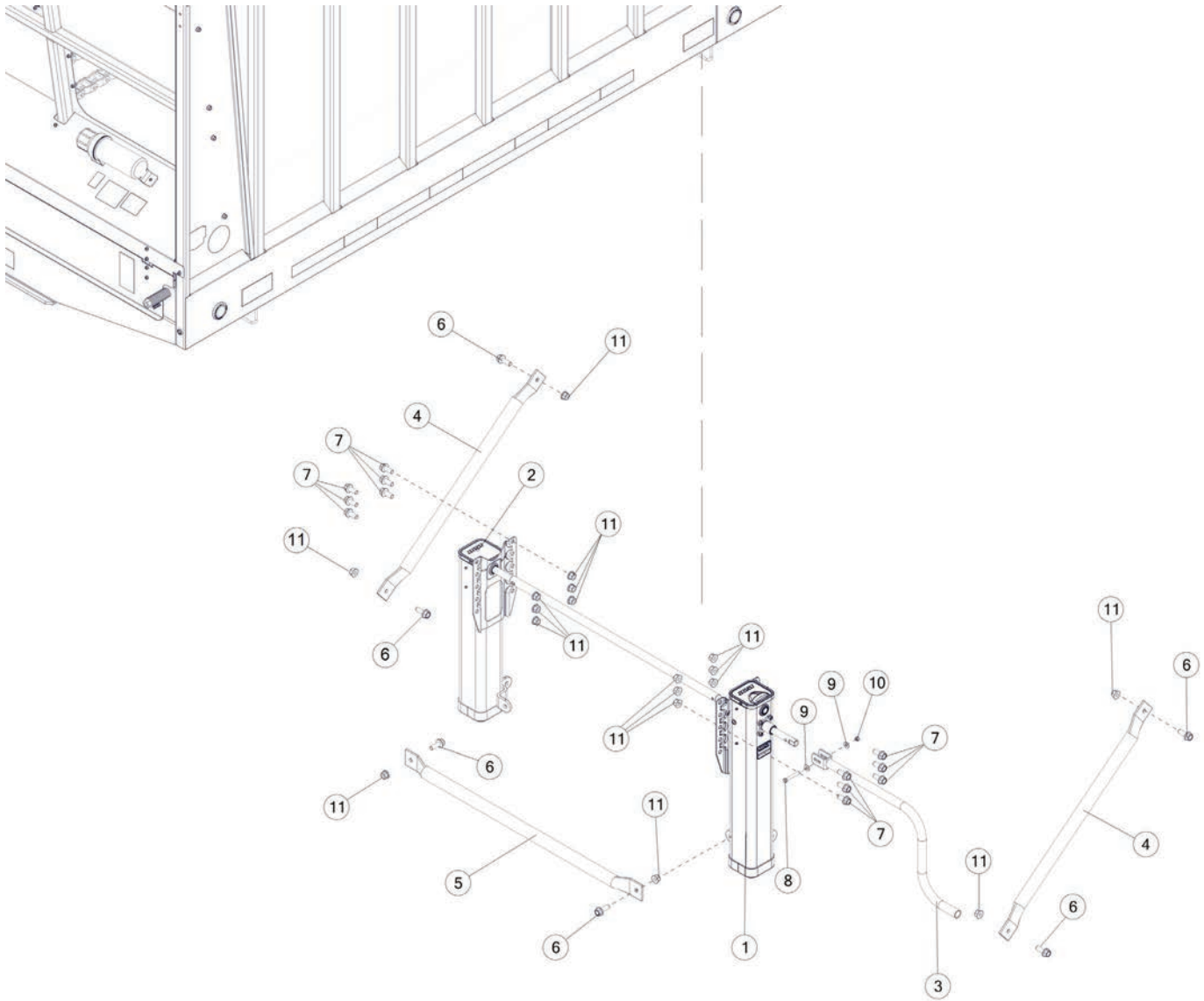




FIGURE 17
LANDING GEAR AND COMPONENTS

REF #	PART #	DESCRIPTION	QTY
1	8546	LANDING GEAR, LH	1
2	8545	LANDING GEAR, RH	1
3	8013	STANDARD CRANK HANDLE W/HARDWARE	1
4	1003	LANDING GEAR BRACE, 26-41	2
5	1004	LANDING GEAR BRACE, 42-57	1
6	YBFB20175	BOLT FLANGE, 5/8 X 1-3/4 G5	6
7	YBFB20150	BOLT FLANGE, 5/8 X 1-1/2 G5	12
8	YBHH12110	BOLT HEX, 3/8-16 X 2-3/4 G5	1
9	YWFL12005	WASHER, FLAT, 3/8 USS	2
10	YNRL12005	NUT HEX, 3/8-16 LKRS A ZC	1
11	YNFG20005	NUT FLANGE, 5/8-11 LKTL F ZC	18



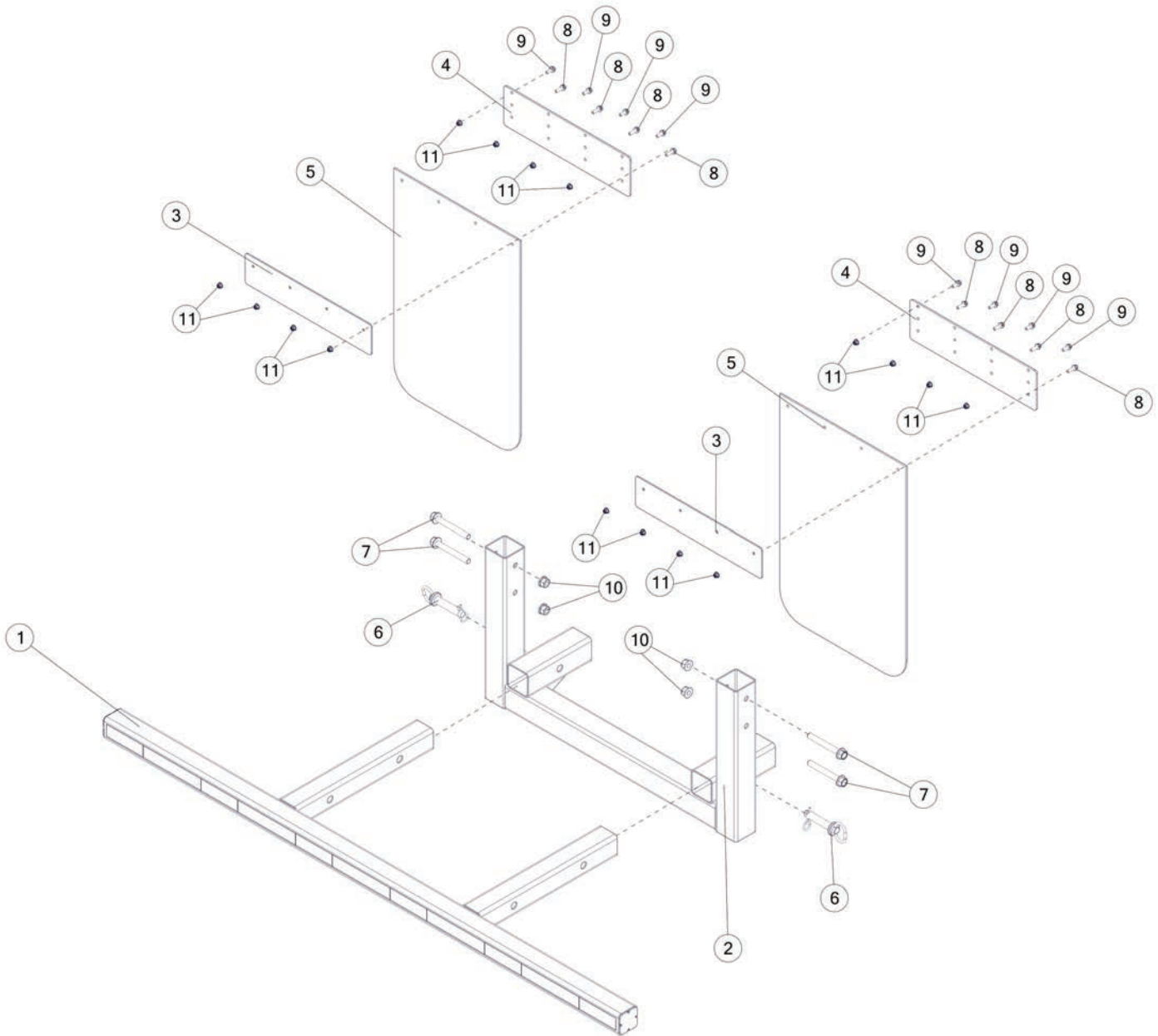




FIGURE 18

BUMPER AND COMPONENTS

REF #	PART #	DESCRIPTION	QTY
1	54497	BUMPER	1
2	94624	BRACKET, BUMPER	1
3	BBST6G09	MUD FLAP BRACKET	2
4	94564	MUD FLAP EXT BRACKET	2
5	8034	HS MUD FLAP, LONG	2
6	94635	PIN	2
7	YBFB24600	BOLT FLANGE, 3/4 X 6 G5	4
8	YBFB12125	BOLT FLANGE, 3/8 X 1-1/4 G5	8
9	YBFB12003	BOLT FLANGE, 3/8 X 1 G5	8
10	YNFG24006	NUT FLANGE, 3/4-10 LKTL G ZC	4
11	YNFG12006	NUT FLANGE, 3/8 GF	16





FIGURE 19

AIR TANK AND COMPONENTS

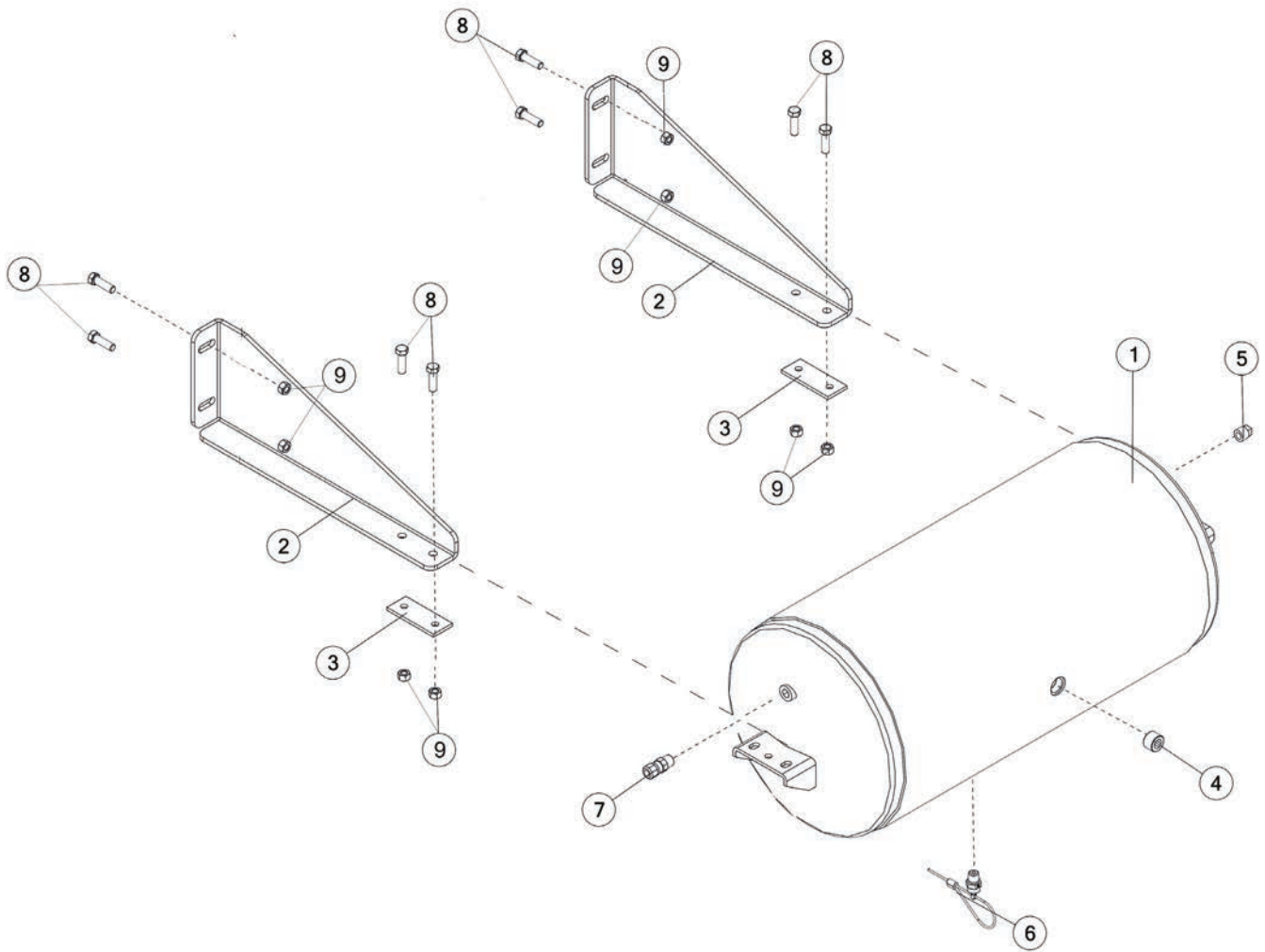




FIGURE 19

AIR TANK AND COMPONENTS

REF #	PART #	DESCRIPTION	QTY
1	1005	AIR TANK	1
2	54101	TANK HANGER	2
3	1006	AIR TANK RUBBER MOUNT	2
4	1037	HEX SOCKET PIPE PLUG, 3/4	1
5	1040	SQ HD PIPE PLUG, 3/8	1
6	1041	LANYARD VALVE, 1/4	1
7	1032	MALE CONNECTOR, 3/8	1
8	YBFB12125	BOLT FLANGE, 3/8 X 1-1/4 G5	8
9	YNFG12006	NUT FLANGE, 3/8 GF	8





FIGURE 20 SPRING SUSPENSION

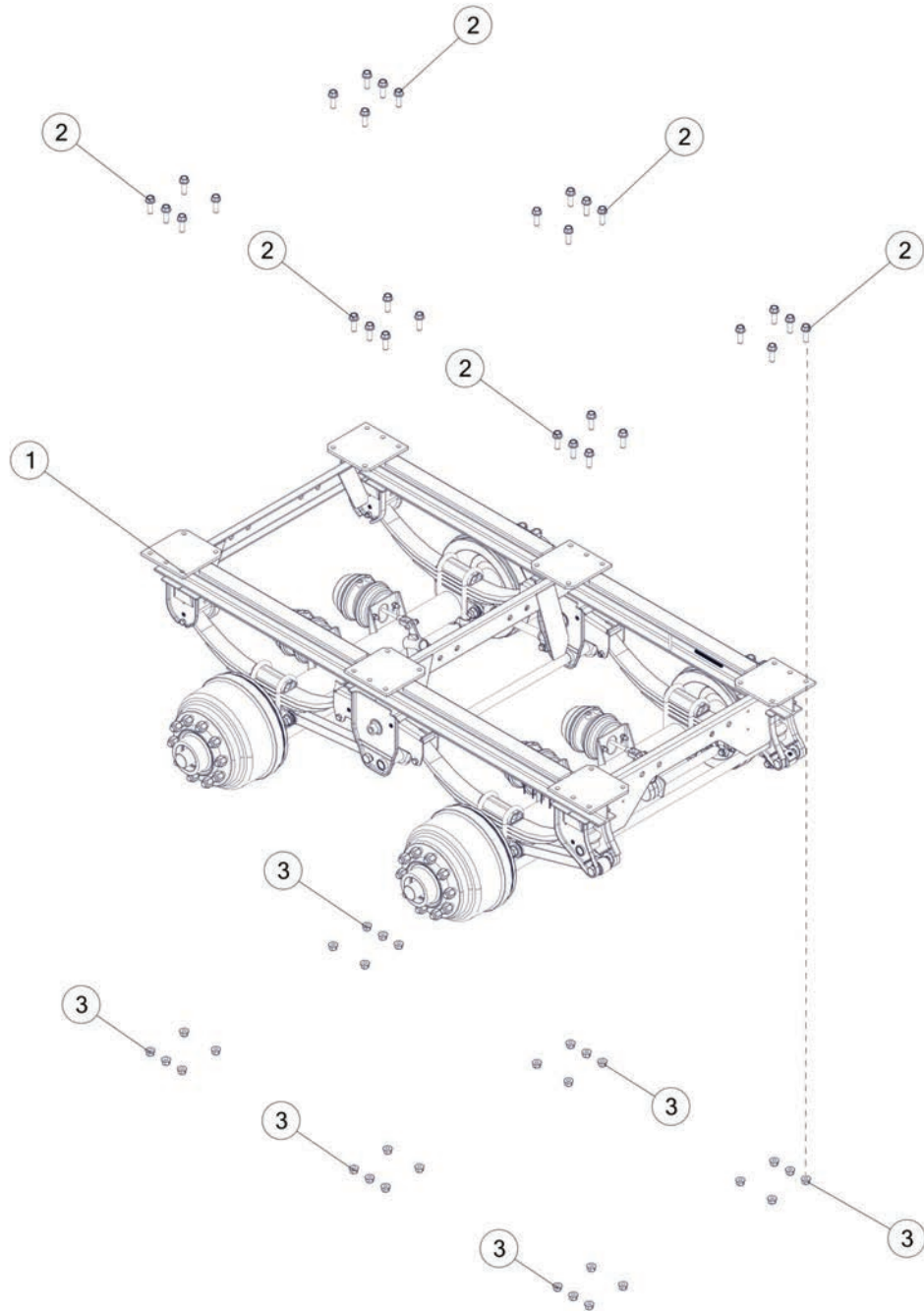




FIGURE 20
SPRING SUSPENSION

REF #	PART #	DESCRIPTION	QTY
1	94230	SPRING SUSPENSION	1
2	YBFB24005	BOLT FLANGE, 3/4 X 2-1/2 G8	30
3	YNFG24006	NUT FLANGE, 3/4	30





FIGURE 21 AXLE SPRINGS AND COMPONENTS

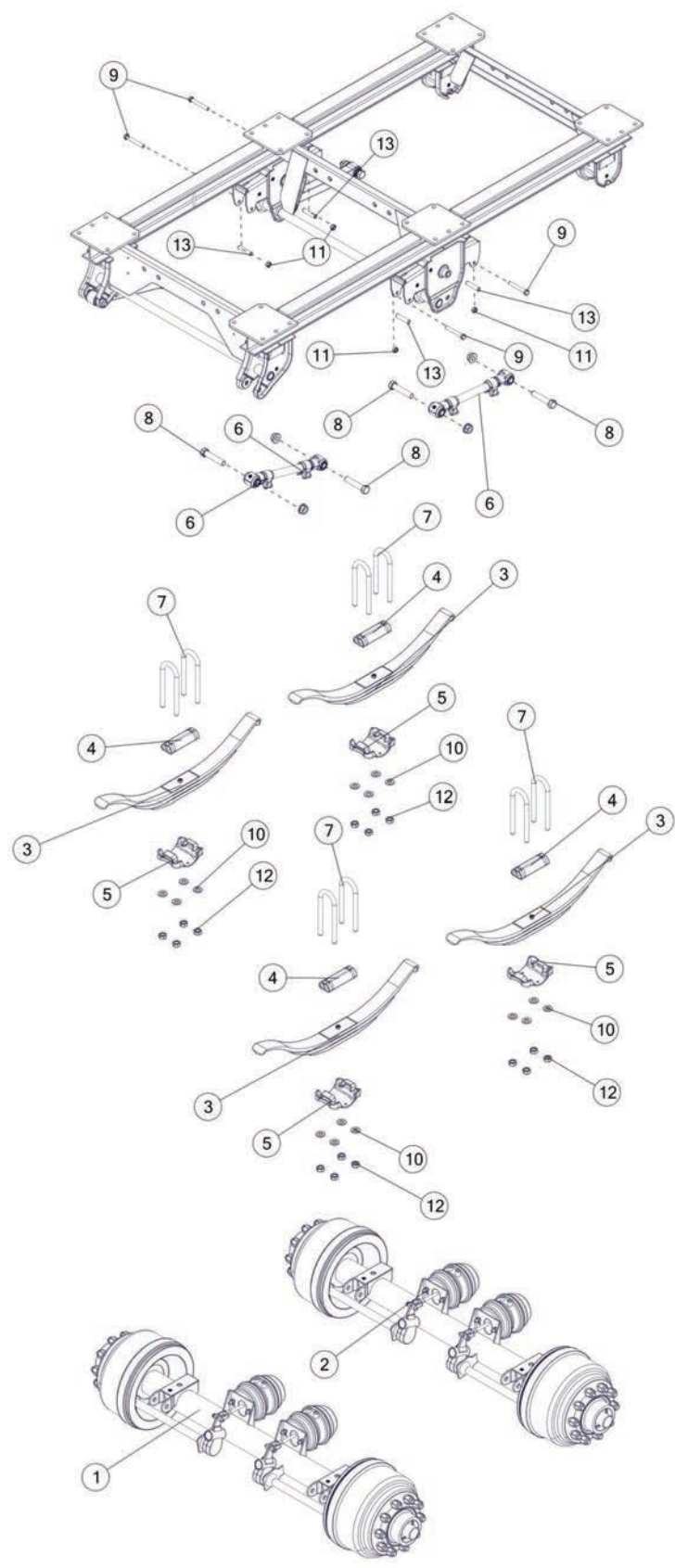




FIGURE 21

AXLE SPRINGS AND COMPONENTS

REF #	PART #	DESCRIPTION	QTY
1	86914	25000 LB AXLE P SPINDLE ABS	1
2	86922	25000 LB AXLE P SPINDLE NO ABS	1
3	54313	HUTCH LEAF SPRING	4
4	8321	TOP PLATE	4
5	8316	BOTTOM PLATE, 5 ROUND	4
6	8312	RADIUS ROD W/BUSHING, 19.25	4
7	YBPU28005	U-BOLT, 7/8-14 X 3 X 11-1/4	8
8	YBHH32024	BOLT HEX, 1-14 X 5 G8	8
9	YBHH20071	BOLT HEX, 5/8-18 X 4-1/2 G8	4
10	8322	WASHER	16
11	YNTL20006	NUT HEX, 5/8-18 LKTL C ZC	4
12	YNTL28005	NUT HEX, 7/8-14 LKTL C ZC	16
13	8235	SPACER SLEEVE	4



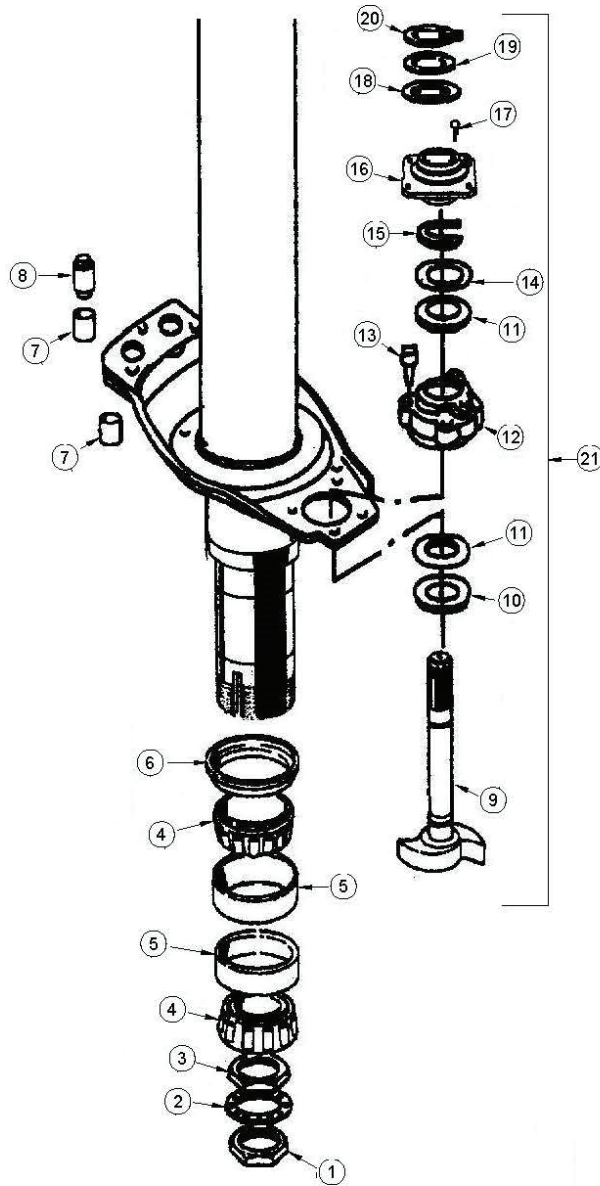




FIGURE 22 CAMSHAFT AND COMPONENTS

REF #	PART #	DESCRIPTION	QTY
1	8269	NUT	1
2	8270	WASHER	1
3	8271	NUT	1
4	8272	BEARING CONE	2
5	8273	BEARING RACE	2
6	8274	SEAL	1
7	8275	BUSHING	2
8	8276	ANCHOR PIN	1
9	8277	LH CAM	1
*	8291	RH CAM	1
10	8278	WASHER	1
11	8279	SEAL	2
12	8280	BUSHING	1
13	8281	CAPSCREW	1
14	8282	WASHER	1
15	8283	SNAP RING	1
16	8284	CAMSHAFT BUSHING	1
17	8285	CAPSCREW	1
18	8286	SLACK ADJUSTER WASHER	1
19	8287	SLACK ADJUSTER WASHER	1
20	8288	SLACK ADJUSTER SNAP RING	1
21	8289	CAM KIT, LH	1



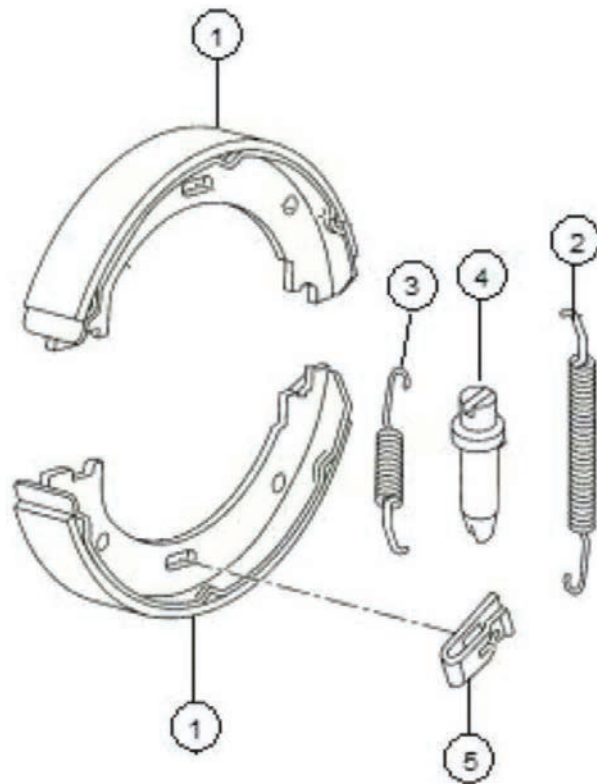




FIGURE 23

BRAKES AND COMPONENTS

REF #	PART #	DESCRIPTION	QTY
1	8292	BRAKE SHOE	2
2	8293	SPRING	1
3	8294	SPRING	1
4	8295	ADJUSTER	1
5	8296	CLIP	1
*	8297	RETAINER	1
*	8298	HARDWARE KIT W/BUSHINGS AND ANCHOR PINS	1



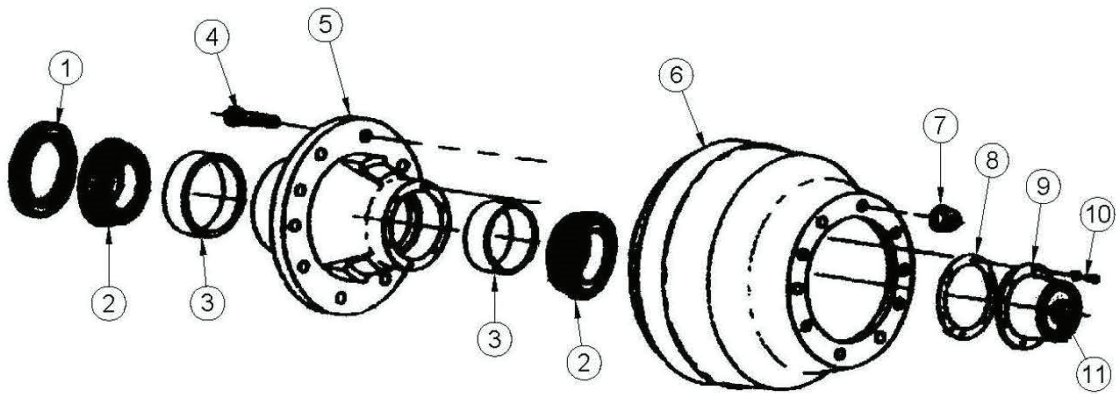




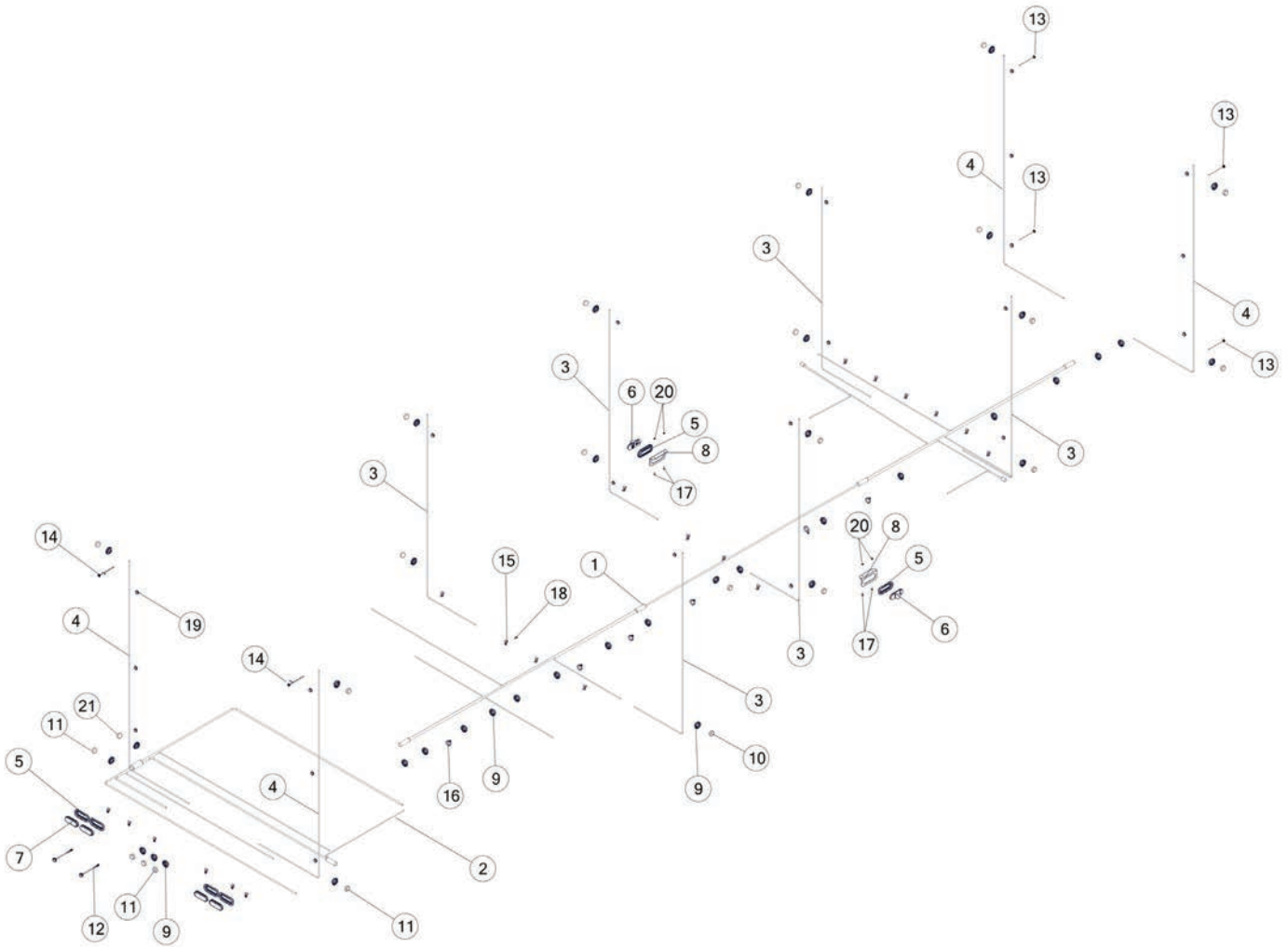
FIGURE 24
HUB AND COMPONENTS

REF #	PART #	DESCRIPTION	QTY
1	8300	SEAL	1
2	8301	CONE	2
3	8302	RACE	2
4	8303	STUD	10
5	8304	HUB	1
6	8305	BRAKE DRUM	1
7	8306	LUG NUT	10
8	8307	GASKET	1
9	8308	HUB CAP	1
10	8309	HUB CAP BOLT	6
11	8310	HUB CAP OIL DRAIN	1





FIGURE 25 ELECTRIC HARNESS AND LIGHTS





REF #	PART #	DESCRIPTION	QTY
1	78657	ELEC HARNESS, MID MAIN	1
2	78656	ELEC HARNESS, REAR MAIN	1
3	78655	ELECT HARNESS, MID MARKER	6
4	78654	ELECT HARNESS, F/R UPPER MARKER	4
5	S308	LIGHT GROMMET, OVAL	6
6	78700	LED LIGHT, AMBER SIDE TURN	2
7	78671	LED LIGHT, RED OVAL	4
8	BBST10G26	MID-TURN BRACKET	2
9	BBS91	LIGHT GROMMET, ROUND	40
10	BBS93	MARKER LIGHT, AMBER ROUND	16
11	BBS92	MARKER LIGHT, RED ROUND	3
12	BBS98	LICENSE LIGHT	2
13	8033	LED LIGHT, AMBER ROUND	4
14	8620	LED LIGHT, RED ROUND	2
15	HGV72	CUSHION WIRE CLAMP, 3/4	20
16	57173	CUSHION WIRE CLAMP, 2	6
17	YBFB08075	BOLT FLANGE, 1/4 X 3/4 G5	4
18	YSDR08005	SCREWSELF DRILL, HEX WASH HD, 1/4-14 X 1 ZC	16
19	8030	PUSH-IN MIL SPEC GROMMET	22
20	YNFG08010	NUT FLANGE, 1/4	4
21	BBS94	ABS LIGHT	1



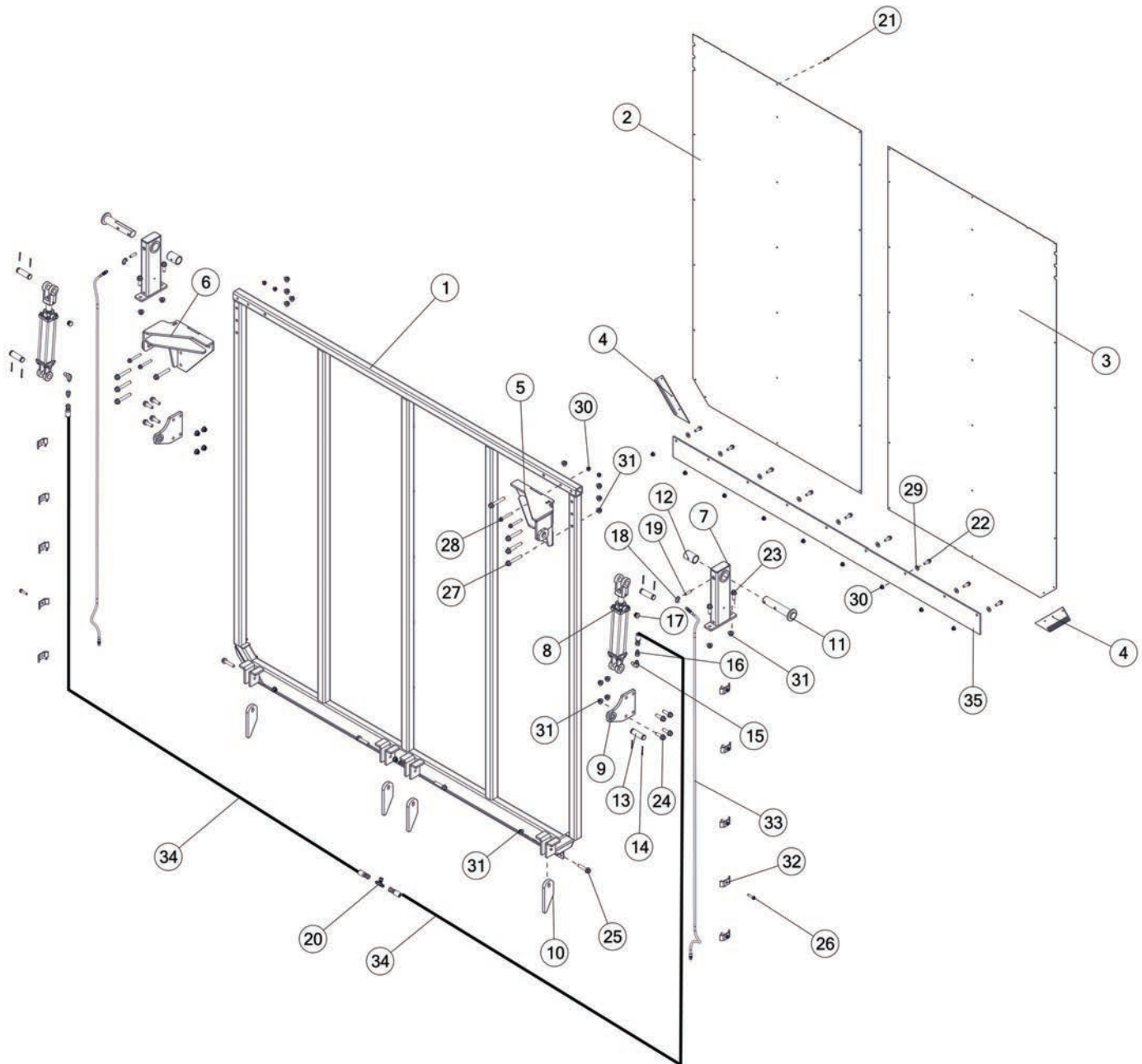




FIGURE 26

TOP PIVOT REAR DOOR W/HYD GATE DELAY

REF #	PART #	DESCRIPTION	QTY
1	95911	DOOR	1
2	94720	DOOR SKIN, LH	1
3	88124	DOOR SKIN	1
4	88283	CORNER DOOR SEAL	2
5	89945	UPPER GATE DELAY MOUNT, RH	1
6	89265	UPPER GATE DELAY MOUNT, LH	1
7	90679	STAKE TOP REAR ASSEMBLY	2
8	55999	CYLINDER, 2 x 8 3000 PSI	2
*	56187	SEAL KIT	2
9	89267	LOWER GATE DELAY MOUNT	2
10	BBS67	LATCH	4
11	BBS64	DOOR HINGE PIN	2
12	56244	BUSHING, DRIVE SHAFT	2
13	T143	HYDRAULIC CYLINDER PIN	4
14	YPCT05010	COTTER PIN, 5/32 X 1-1/2	8
15	CHM164	FITTING 90, 6JIC X 3/8NPT	2
16	58144	IN-LINE CONNECTOR, ORIFICE, 6-XHX7-S .062	2
17	BFR70	VENT PLUG, 3/8	2
18	90684	FITTING 90, 1/8NPT X 1/8NPT	2
19	90681	PIPE NIPPLE	2
20	58137	FITTING T, 6JIC X 6JIC X 6JIC	1
21	YSDR66007	SCR SELF DRILL, HEX WASH HD, #12-14 X 1-1/4 ZC	38
22	YBFB12125	BOLT FLANGE, 3/8 X 1-1/4 G5	9
23	YBFB16150	BOLT FLANGE, 1/2 X 1-1/2 G5	4
24	YBFB16175	BOLT FLANGE, 1/2 X 1-3/4 G5	8
25	YBFB16250	BOLT FLANGE, 1/2 X 2-1/2 G5	4
26	YSHW10020	SCREW THREAD CUTTING, 5/16 X 1-1/2	10
27	YBFB16350	BOLT FLANGE, 1/2 X 3-1/2 G5	8
28	YBFB12300	BOLT FLANGE, 3/8 X 3 G5	4
29	YWFL12005	WASHER FLAT, 3/8 USS	9
30	YNFG12006	NUT FLANGE, 3/8 GF	13
31	YNFG16003	NUT FLANGE, 1/2 GF	20
32	23N67	FRONT HOSE BRACKET	10
33	90729	HYDRAULIC HOSE, 2, 88	2
34	78689	HYDRAULIC HOSE, 6, 230	2
35	94722	DOOR RUBBER, REAR	1





FIGURE 27

OPTIONAL FBOTPDSK SEAL KIT FOR TOP PIVOT DOOR

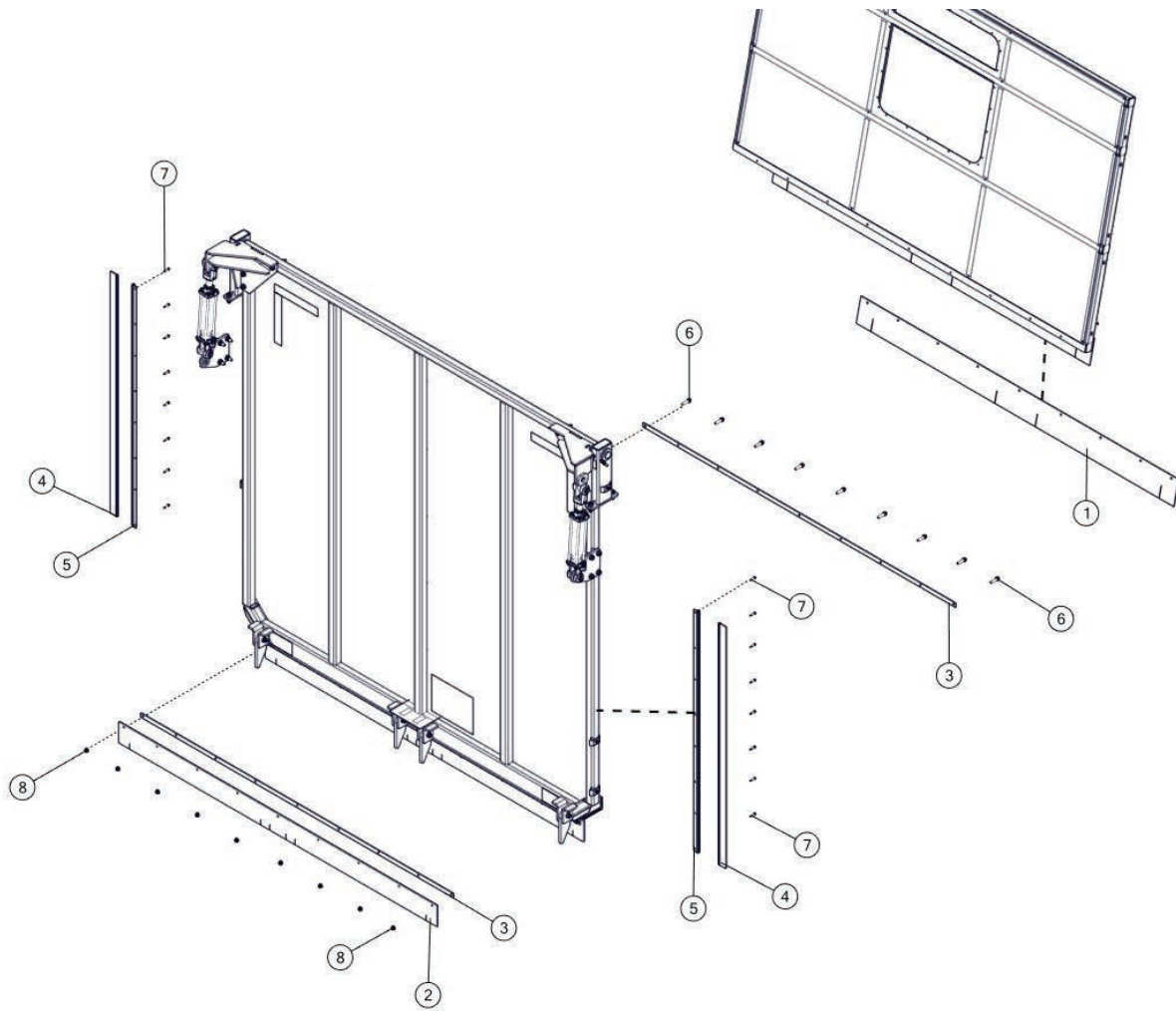




FIGURE 28
OPTIONAL TDO36RH
36FT ROOF HOOD - NOT INSTALLED

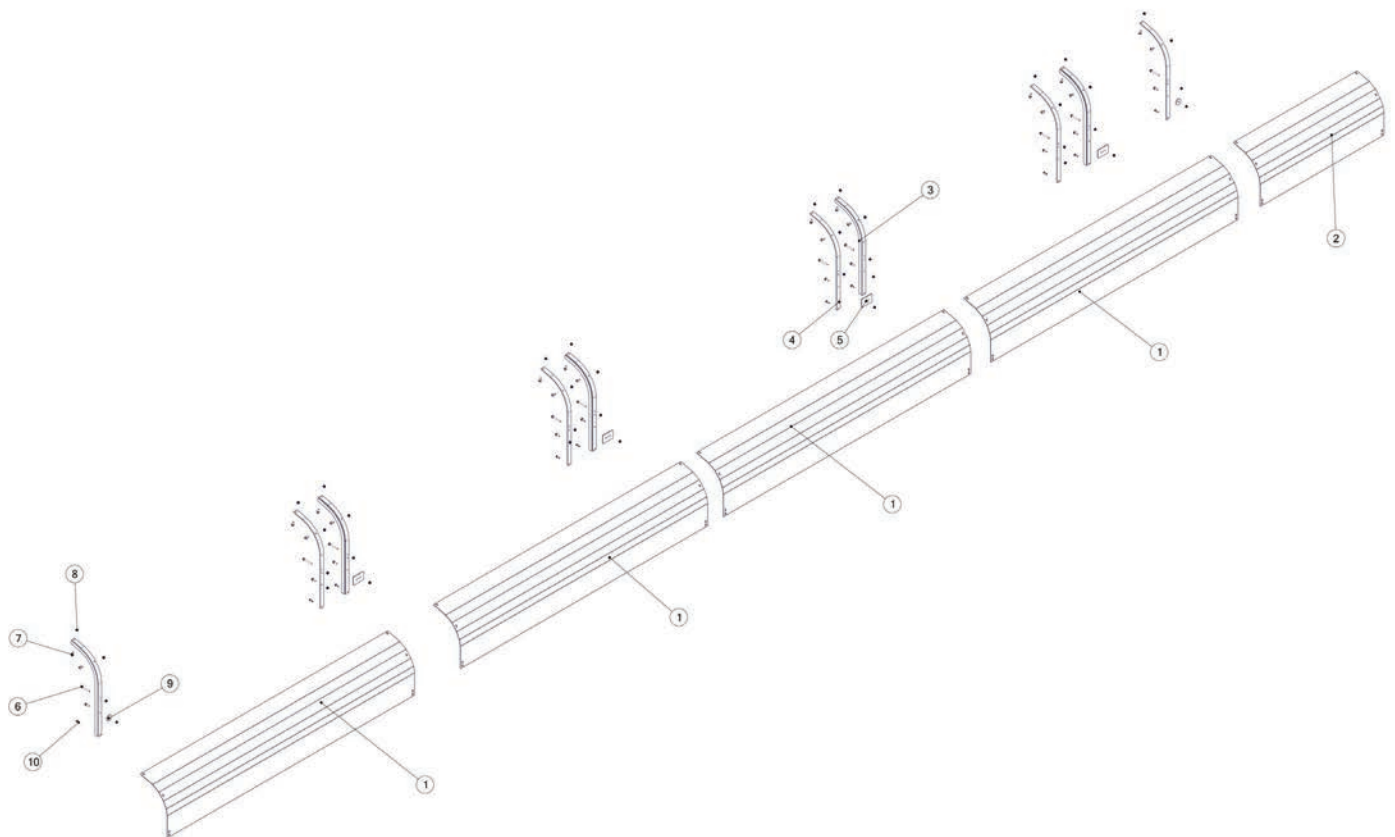




FIGURE 28
OPTIONAL TDO36RH
36FT ROOF HOOD - NOT INSTALLED

REF #	PART #	DESCRIPTION	QTY
1	86789	ROOF EDGE RADIUS	4
2	86834	ROOF EDGE RADIUS	1
3	86756	ROOF RADIUS SUPPORT, LH	5
4	86755	ROOF RADIUS SUPPORT, RH	5
5	82969	ROOF HOOD SCREEN WASHER	4
6	YBFB10300	BOLT FLANGE, 5/16 X 3 G5	11
7	YBFB10001	BOLT FLANGE, 5/16 X 1 G5	32
8	YNFG10005	NUT FLANGE, 5/16	43
9	YWCU12005	WASHER, FLAT, CUSTOM	2
10	YSDR08005	SCR SELF DRILL, HEX HEAD WASHER, 1/4-14 X 1	10





FIGURE 31
OPTIONAL TDOAIR54
AIR RIDE SUSPENSION IN LIEU OF SPRING SUSPENSION

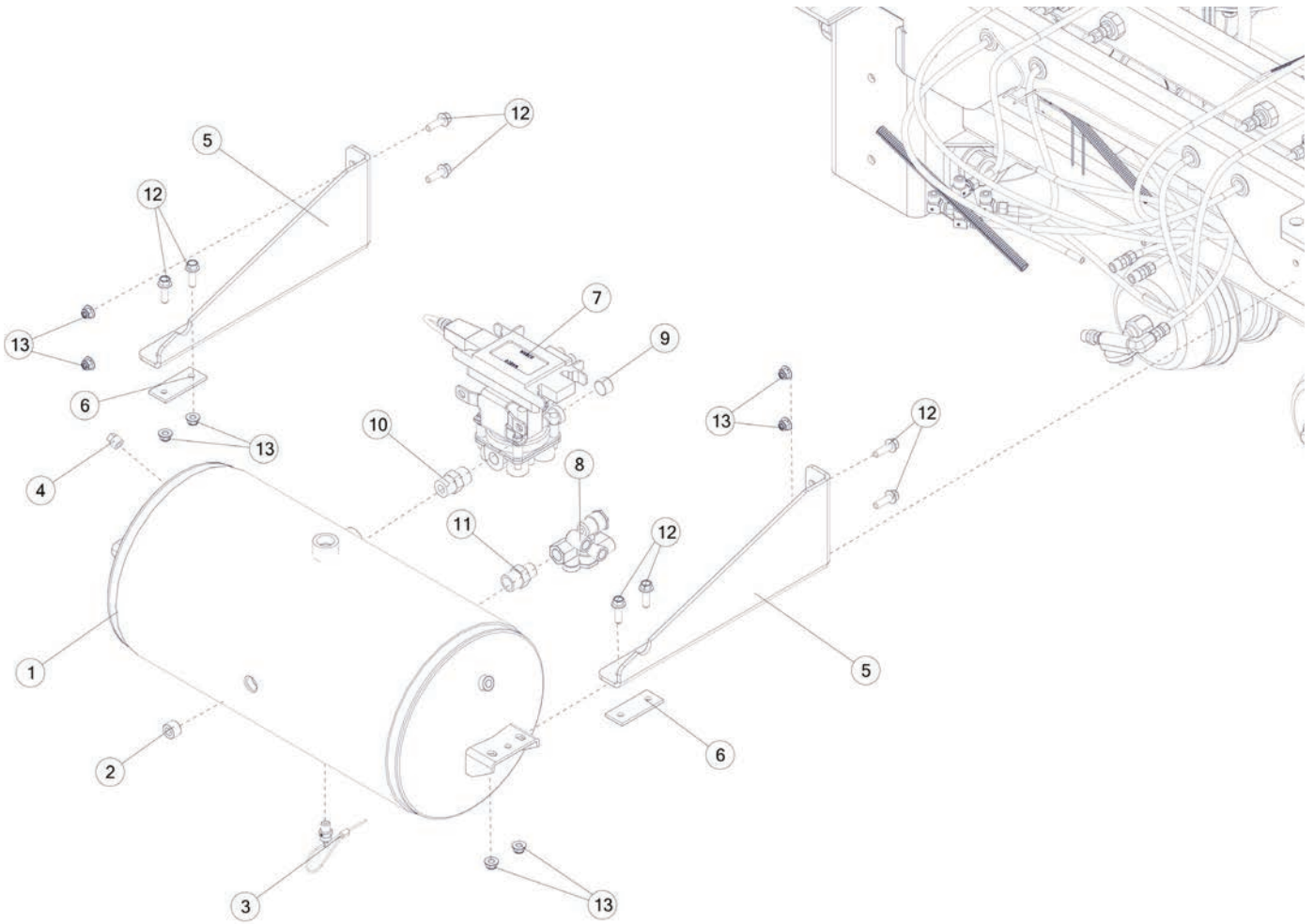




FIGURE 31

OPTIONAL TDOAIR54

AIR RIDE SUSPENSION IN LIEU OF SPRING SUSPENSION

REF #	PART #	DESCRIPTION	QTY
1	1005	AIR TANK W/3 PORTS	1
2	1037	HEX SOCKET PIPE PLUG, 3/4	1
3	1041	LANYARD VALVE, 1/4	1
4	1040	SQUARE HD PIPE PLUG, 3/8	1
5	54101	AIR TANK HANGER	2
6	1006	AIR TANK RUBBER MOUNT	2
7	1013	MERITOR WABCO ABS KIT 2S/1M	1
8	1010	ABS SPRING BRAKE VALVE	1
9	1037	HEX SOCKET PIPE PLUG, 3/4	1
10	LW98	FITTING, STRAIGHT, 12NPT X 12NPT	1
11	61584	FITTING, STRAIGHT, 12NPT X 8NPT	1
12	YBFB12125	BOLT FLANGE, 3/8 X 1-1/4 G5	8
13	YNFG12006	NUT FLANGE, 3/8 GF	8





FIGURE 31

OPTIONAL TDOAIR54

AIR RIDE SUSPENSION IN LIEU OF SPRING SUSPENSION

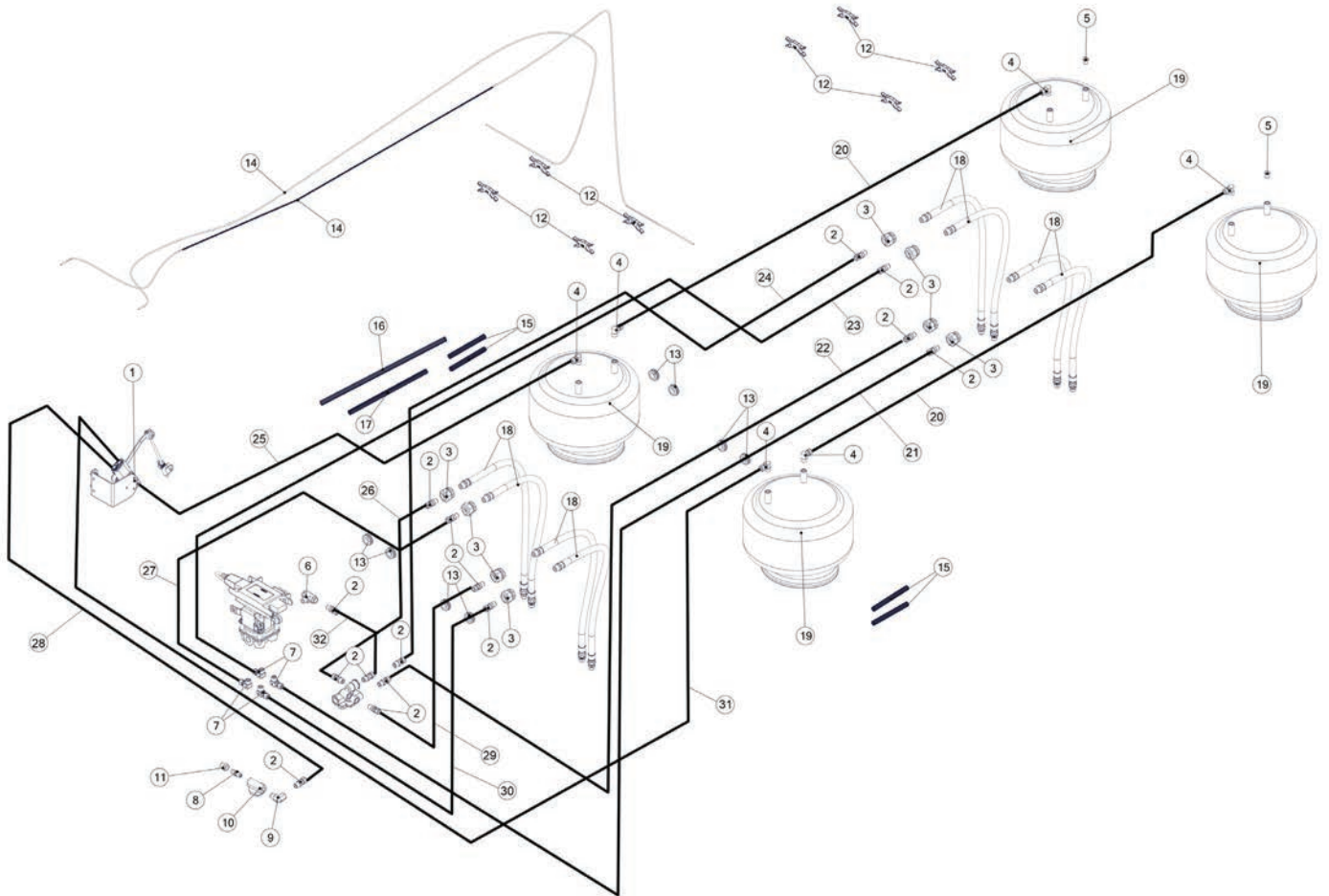




FIGURE 31

OPTIONAL TDOAIR54

AIR RIDE SUSPENSION IN LIEU OF SPRING SUSPENSION

REF #	PART #	DESCRIPTION	QTY
1	8009	HEIGHT CONTROL VALVE KIT	1
2	1032	MALE CONNECTOR, 3/8	15
3	1114	BULKHEAD NIPPLE, 3/8 X 3/8	8
4	1157	MALE ELBOW, 3/8 X 1/4 D.O.T.	6
5	1134	NPT HEX HEAD PIPE PLUG, 1/4	2
6	WM146	MALE BRANCH TEE	1
7	55798	FITTING, ELBOW, 3/8 NPT	4
8	1169	NIPPLE NUT, 1/4	1
9	53435	FITTING, 90, 3/8NPT X 1/4NPT	1
10	1168	REGULATOR, AIR SPRING	1
11	1098	BUSHING, 3/8 TO 1/4	1
12	79676	HOSE SEPARATOR	8
13	8030	PUSH-IN MIL SPEC GROMMET	8
14	8265	SENSOR EXTENSION CABLE	2
15	93927	WIRE LOOM 1/2, BLK SLT 6	4
16	93954	WIRE LOOM 1/2, BLK SLT 18	1
17	93953	WIRE LOOM 1/2, BLK SLT 12	1
18	8000	HOSE ASSEMBLY, 3/8 X 26	8
19	84644	AIR BAG	4
20	94920	AIR BAG LINE, 50 BLACK	2
21	94918	SUPPLY LINE, 90 BLUE	1
22	94911	EMERGENCY LINE, 70 RED	1
23	94915	SUPPLY LINE, 73 BLUE	1
24	94912	EMERGENCY LINE, 100 RED	1
25	95028	AIR SPRING SUPPLY, 40 BLACK	1
26	55824	SUPPLY LINE, 65 BLUE	1
27	55828	SUPPLY LINE, 19-1/4 BLUE	1
28	55751	TANK TO AIR REGULATOR, 44 BLACK	1
29	55827	EMERGENCY LINE, 19-1/2 RED	1
30	54469	SUPPLY LINE, 23-1/2 BLUE	1
31	94921	AIR SPRING SUPPLY, 54 BLACK	1
32	55634	SUPPLY LINE, 15 BLUE	1





FIGURE 31
OPTIONAL TDOAIR54
AIR RIDE SUSPENSION IN LIEU OF SPRING SUSPENSION

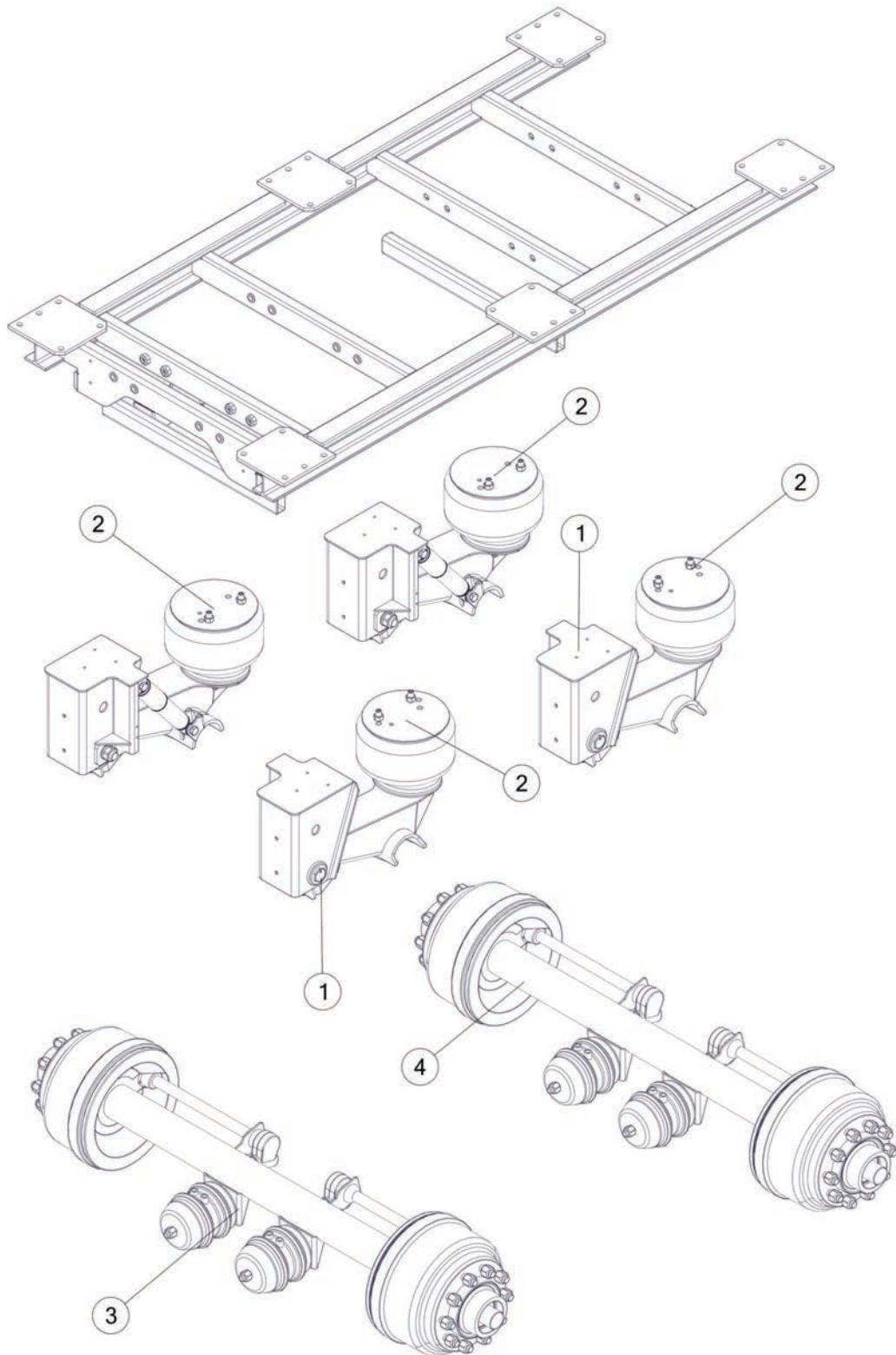




FIGURE 31

OPTIONAL TDOAIR54

AIR RIDE SUSPENSION IN LIEU OF SPRING SUSPENSION

REF #	PART #	DESCRIPTION	QTY
1	84642	AIR RIDE SUSPENSION	2
2	84644	AIR BAG	4
3	93489	25000 LB AXLE P SPINDLE NO ABS	1
4	93501	25000 LB AXLE P SPINDLE ABS	1





FIGURE 32

OPTIONAL TDOESST36

ELECTRIC DRIVE SIDE-TO-SIDE TARP

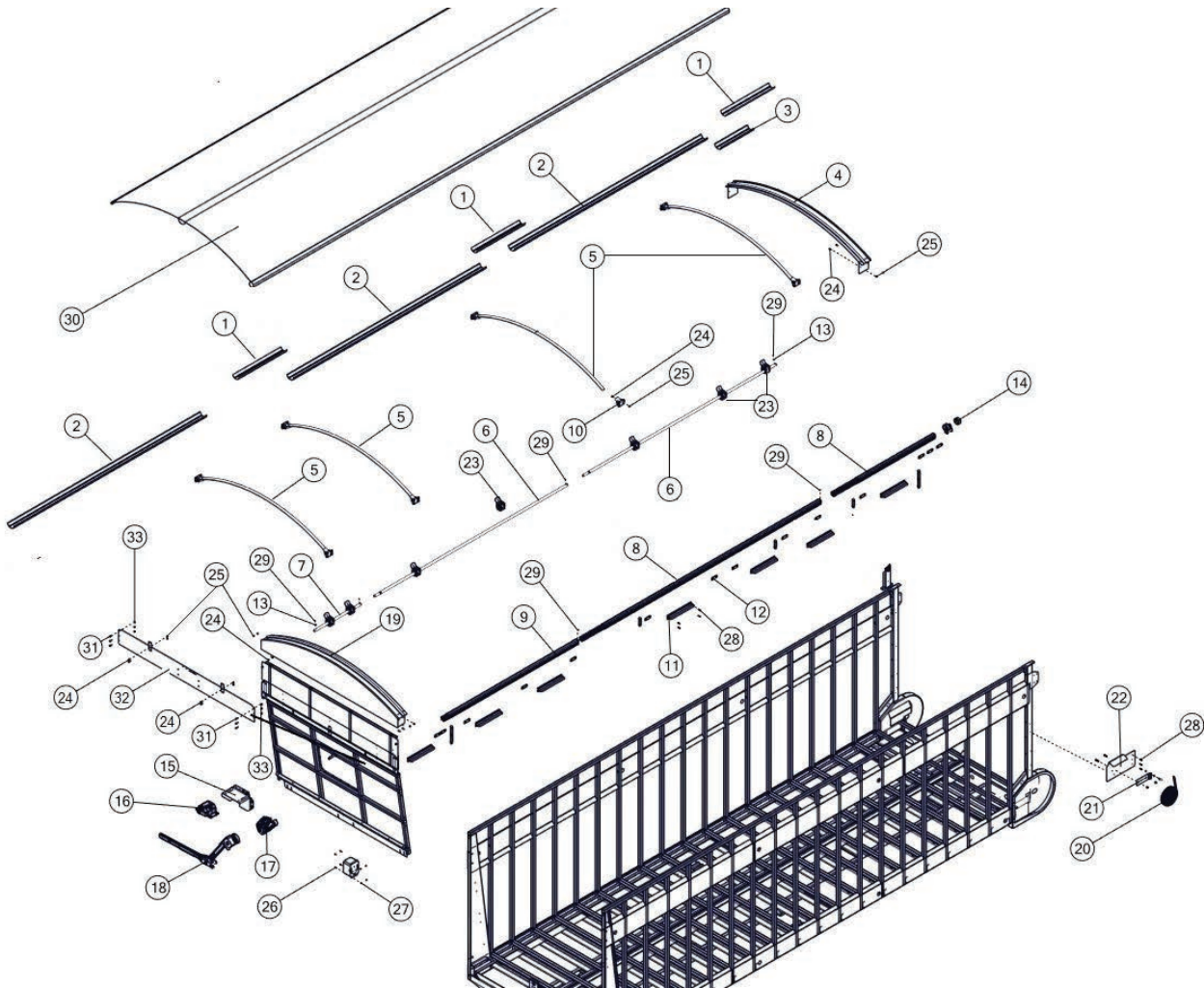




FIGURE 32
OPTIONAL TDOESST36
ELECTRIC DRIVE SIDE-TO-SIDE TARP

REF #	PART #	DESCRIPTION	QTY
1	92882	RIDGE POLE SPLICE	3
2	92818	RIDGE POLE,	3
3	92821	RIDGE POLE, 72	1
4	93117	END CAP ARCH	1
5	93115	BOW	4
6	92823	TARP POLE	3
7	92824	TUBE,73	1
8	92807	AXLE, 3 MIDDLE	2
9	93684	AXLE, FRONT	1
10	93408	BRACKET, BOW	8
11	92813	LOCKING LIP	7
12	92812	TARP CLIP	12
13	YWFL08005	WASHER, FLAT, 1/4 USS	2
14	92814	CAP	1
15	92829	BRACKET	1
16	92828	PIVOT ASSEMBLY	1
17	92836	TARP MOTOR	1
18	92833	PIVOT ARM ASSEMBLY	1
19	92792	END CAP	1
20	92797	SPOOL, ROLL RITE	1
21	92801	BRACKET, MOUNTING SPOOL	1
22	89901	TARP SPRING BRACKET	1
23	92811	TARP STOP	8
24	YBFB10001	BOLT FLANGE, 5/16 X 1 G5	28
25	YNFG10005	NUT FLANGE, 5/16 GF	28
26	YBFB08100	BOLT FLANGE, 1/4 X 1 G5	4
27	YNFG08010	NUT FLANGE, 1/4 GF	4
28	YSWH10005	SCREW, HEX WASHER HEAD, 5/16-18 X 1-1/4	36
29	GM234	RIVET, 3/16 DIA, .376 - .50 GRIP	20
30	93656	TARP, 36 FT	1
31	YBFB12125	BOLT FLANGE, 3/8 X 1-1/4 G5	10
32	93433	PLATE, TARP MOUNT	1
33	YNFG12006	NUT FLANGE, 3/8 GF	12
*	92726	TARP RETURN	1
*	92827	POWER ARM, ROLL RITE	1
*	93657	ROLL RITE KIT, 36FT	1





FIGURE 33
OPTIONAL TDOEAC
ELECTRIC ACTUATOR CONTROL FLIP DOWN FRONT

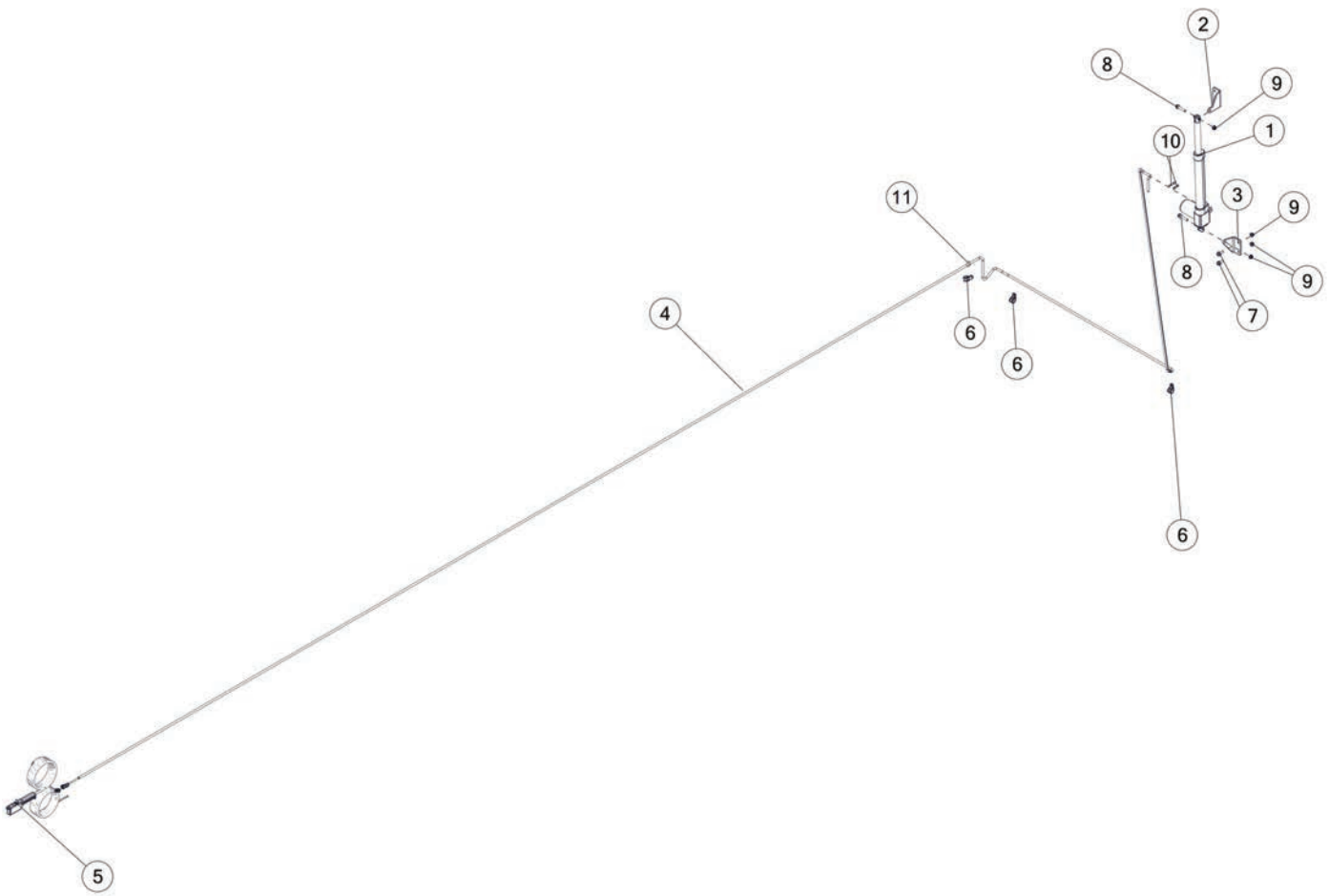




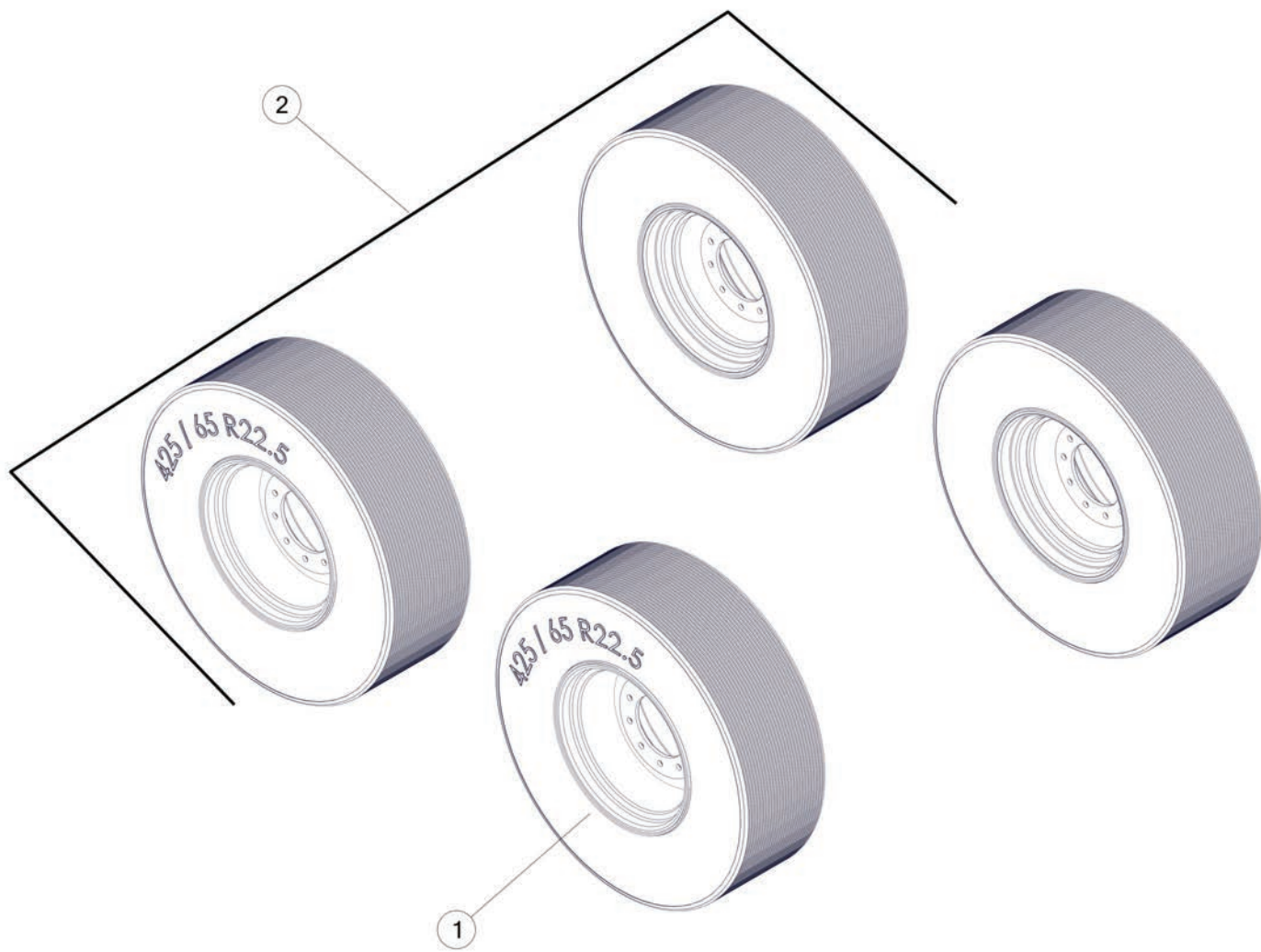
FIGURE 33
OPTIONAL TDOEAC
ELECTRIC ACTUATOR CONTROL FLIP DOWN FRONT

REF #	PART #	DESCRIPTION	QTY
1	82894	LINEAR ACTUATOR	1
2	80885	ACTUATOR MOUNT BRACKET	1
3	80888	ACTUATOR MOUNT BRACKET	1
4	82932	WIRE WITH DEUTSCH CONNECTIONS	1
5	89807	HAND CONTROLLER, (ON)-OFF-(ON)	1
6	87705	CUSHION WIRE CLAMP, 3/8	3
7	YBFB12003	BOLT FLANGE, 3/8 X 1 G5	2
8	YBFB12200	BOLT FLANGE, 3/8 X 2 G5	2
9	YNFG12006	NUT FLANGE, 3/8 GF	4
10	ECBC002	ELEC, CONN, BUTT, 14 GA INSULATED	2
11	56120	STRAIN RELIEF LOCKNUT, 1/2	1





FIGURE 36
OPTIONAL TIRES
TWP425AW / TWP425SW



REF #	PART #	DESCRIPTION	QTY
1	1124	425/65R22.5 TIRE ON POLISHED ALUM WHEEL	1
2	TWP425AW	425/65R22.5 TIRES ON 12.25X22.5 10 BOLT POLISHED ALUMINUM WHEELS (QYT 4)	1
1	1137	425/65R22.5 TIRE ON PAINTED STEEL WHEEL	1
2	TWP425SW	425/65R22.5 TIRES ON 12.25X22.5 10 BOLT STEEL WHEELS (QTY 4)	1



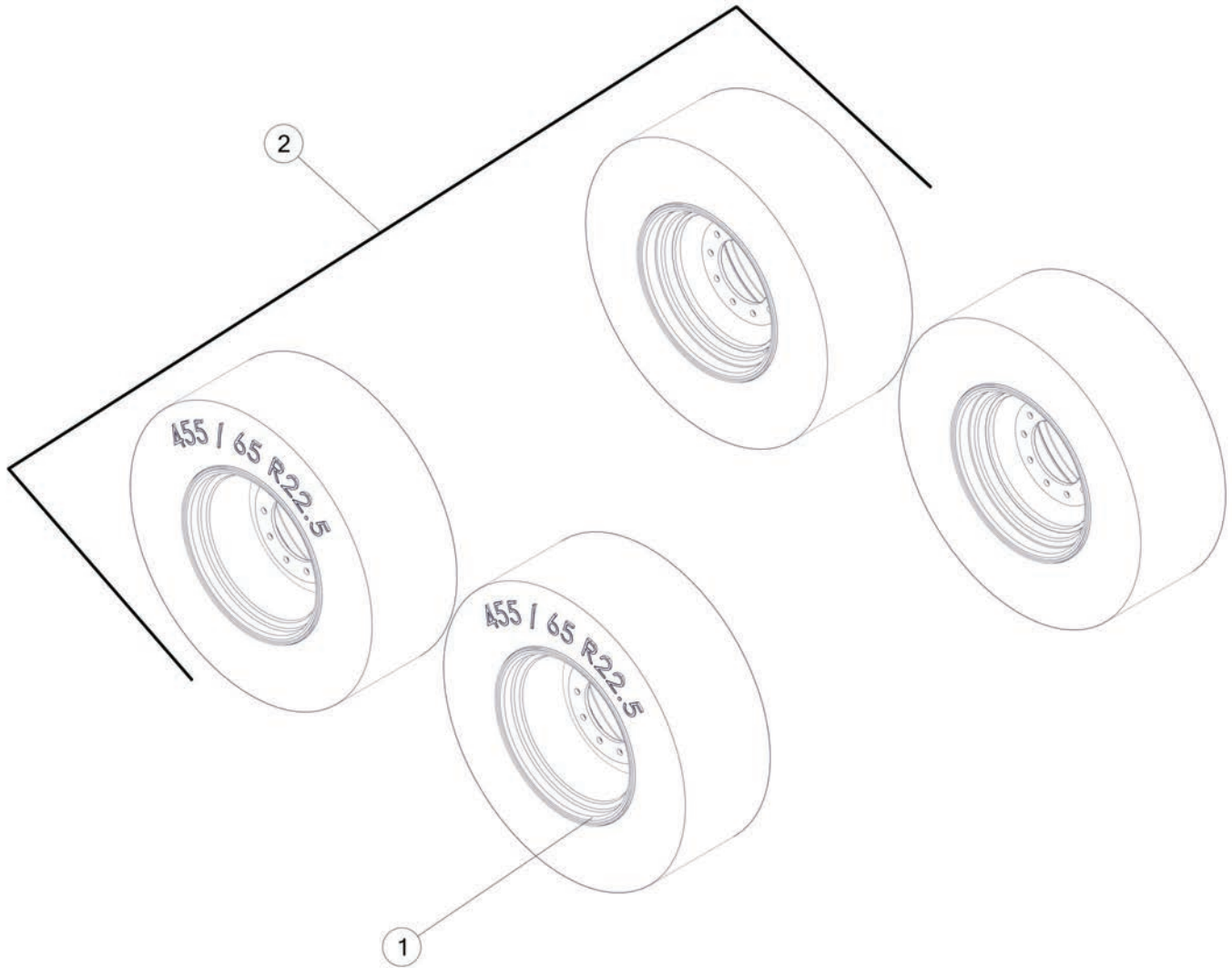




FIGURE 37
OPTIONAL TIRES
TWP455AW / TWP455SW

REF #	PART #	DESCRIPTION	QTY
1	1138	455/55R22.5 TIRE ON POLISHED WHEEL	1
2	TWP455AW	455/55R22.5 TIRES ON 14X22.5 10 BOLT POLISHED ALUMINUM WHEELS (QTY 4)	1
1	1139	455/55R22.5 TIRE ON PAINTED STEEL WHEEL	1
2	TWP455SW	455/55R22.5 TIRES ON 14X22.5 10 BOLT STEEL WHEELS (QTY 4)	1



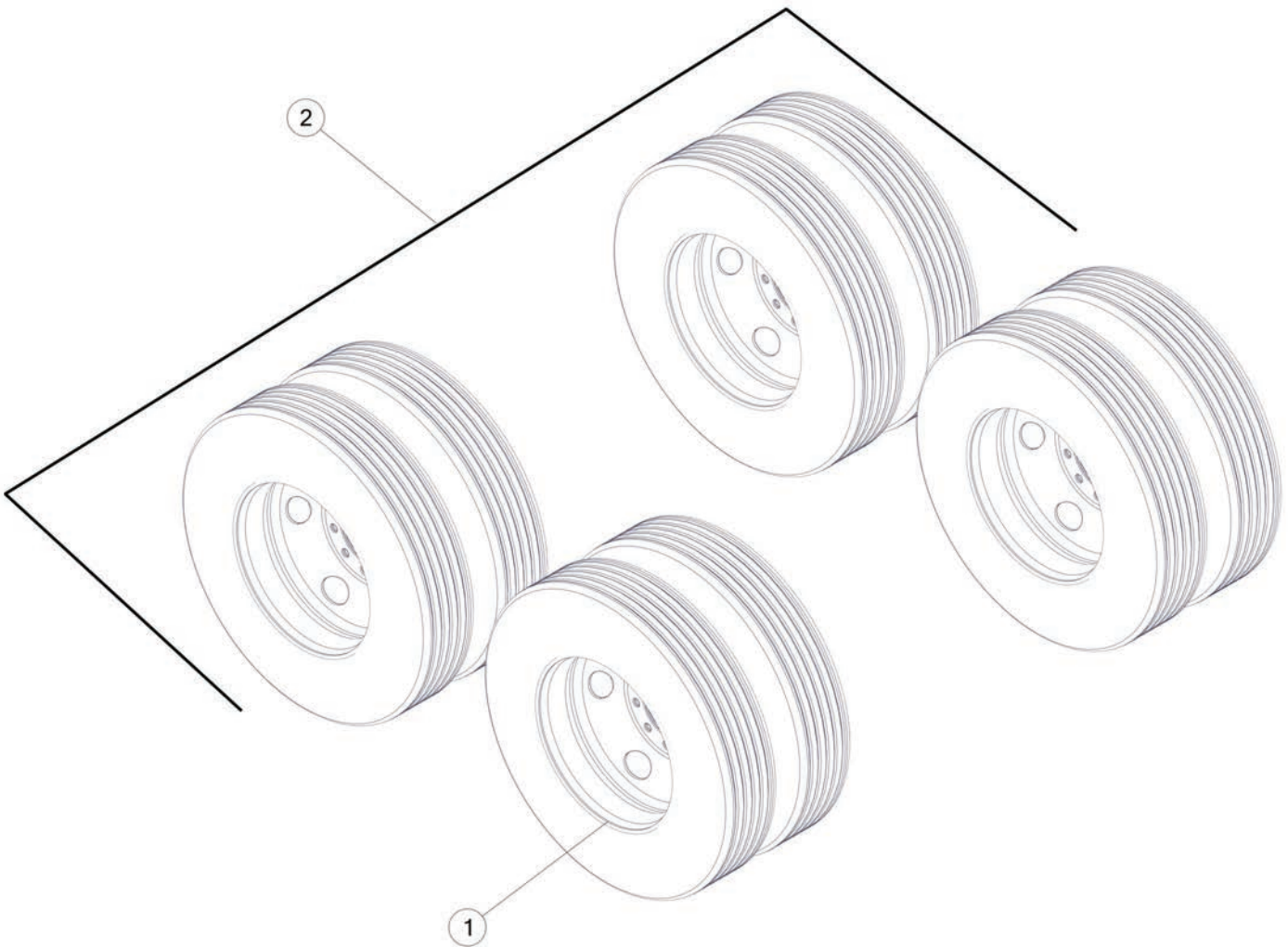




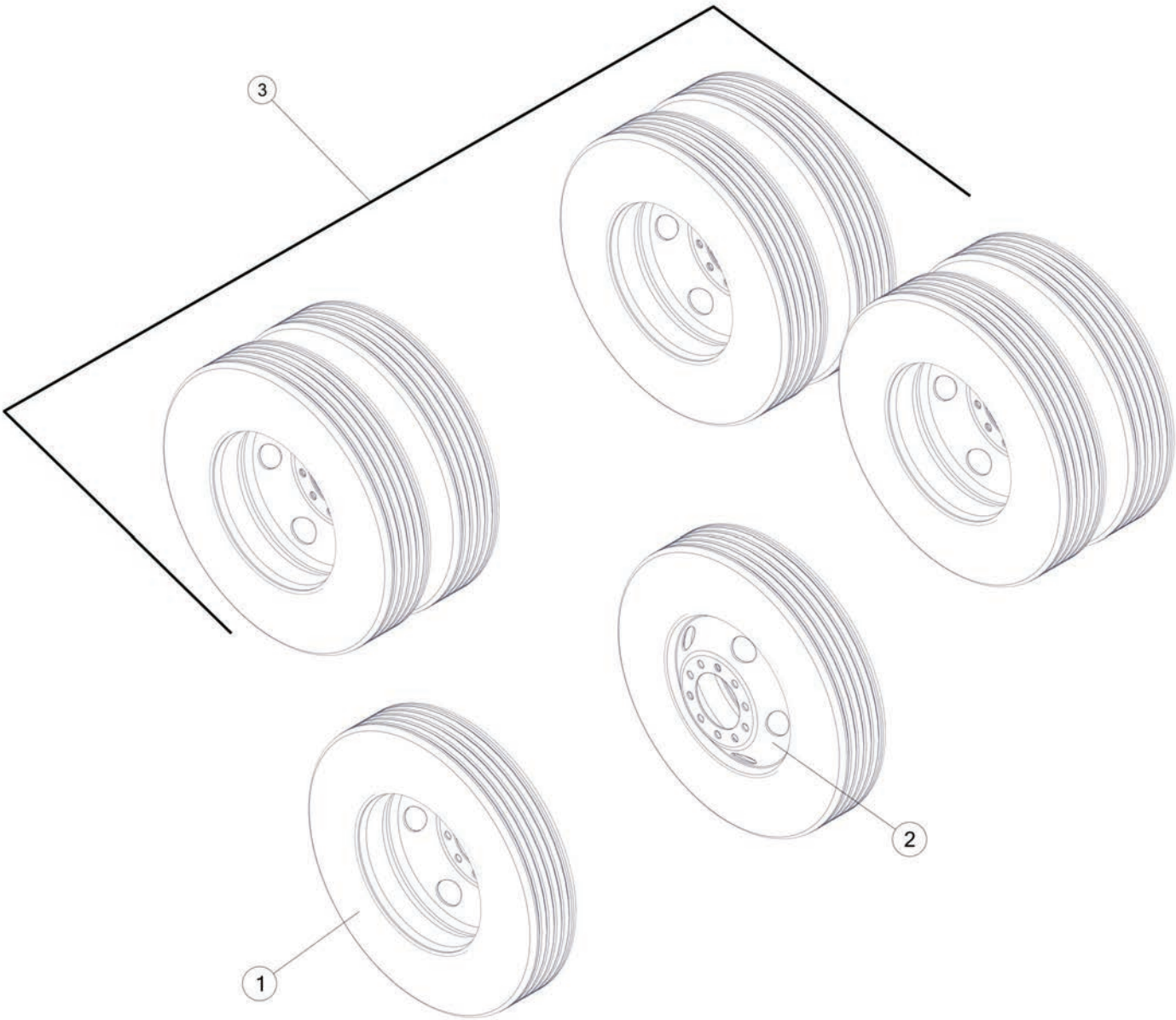
FIGURE 38
OPTIONAL TIRES
TWP825AW / TWP825SW

REF #	PART #	DESCRIPTION	QTY
1	1122	11R22.5 DUALS ON POLISHED ALUMINUM WHEEL	1
2	TWP825AW	11R22.5 TIRES ON 8.25X22.5 10-BOLT POLISHED ALUMINUM WHEELS (QTY 8)	1
1	1120	11RX22.5 DUALS ON STEEL WHEEL	1
2	TWP825SW	11R22.5 TIRES ON 8.25X22.5 10-BOLT STEEL WHEELS (QTY 8)	1





FIGURE 39
OPTIONAL TIRES
TWP825AW/SW



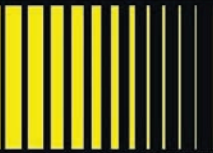


FIGURE 39
OPTONAL TIRES
TWP825AW/SW

REF #	PART #	DESCRIPTION	QTY
1	1122	11R22.5 DUALS ON POLISHED ALUMINUM WHEEL	1
2	1120	11RX22.5 DUALS ON STEEL WHEEL	1
3	TWP825AW/SW	11R22.5 TIRES ON 8.25X22.5 10-BOLT POLISHED ALUMINUM WHEELS (OUTSIDE) (QTY 4) AND STEEL WHEELS (INSIDE) (QTY 4)	1





PARTS NOTES



H&S MFG. CO.
products approved
for the
FEMA
SEAL OF QUALITY



Manufactured by:
H&S MANUFACTURING CO., INC.
2608 S. HUME AVE. MARSHFIELD, WI 54449
(715) 387-3414 | hsmfgco.com

