

TD1136

TOP DOG FORAGE BOX PARTS BOOK

Part #78437 HSMFG111621 Rev. #04 Starting Ser. #4ULJB3827MS002043

STRONG HERITAGE - STRONG PEOPLE - STRONGER FUTURE

CONTENTS

Instructions for Ordering Parts	1
Figure 1 - Body Panels LH	2-3
Figure 2 - Body Panels RH	4-5
Figure 3 - Front Panel & Components	6-7
Figure 4 - Window & Components	8-9
Figure 5 - Front Guards & Components	10-11
Figure 6 - Gladhands & Components	12-13
Figure 7 - Floor & Components	14-15
Figure 8 - Chain & Components	16-17
Figure 9 - Idler Shaft Components	18-19
Figure 10 - Drive Shaft & Components	20-21
Figure 11 - Drive Shaft Guards	22-23
Figure 12 - Drive Sprocket LH	24-25
Figure 13 - Drive Sprocket RH	26-27
Figure 14 - Hydraulics	28-29
Figure 15 - Gate Delay Optional.....	30-31
Figure 16 - Barn Doors Optional.....	32-33
Figure 17 - Hand Controller	34-35
Figure 18 - Bumper & Components	36-37
Figure 19 – Air Lines & Components	38-39
Figure 20 - Air Tank & Components	40-41
Figure 21 - Air Valve & Components	42-43
Figure 22 - Landing Gear & Components	44-45
Figure 23 - Camshaft & Components	46-47
Figure 24 - Tail Light & Components	48-49
Figure 25 - Lights	50-51
Figure 26 - Spring Suspension	52-53
Figure 27 - Hub & Components	54-55
Figure 28 - Brakes & Components	56-57
Figure 29 - Tarp & Components	58-59
Figure 30 - Optional Electric Actuator Control Flip Down	60-61
Figure 31 - Shur-Co Optional Electric Drive Side to Side Tarp	62-63
Figure 31 - Shur-Co Optional Electric Drive Side to Side Tarp - Main Kit	64-65
Figure 31 - Shur-Co Optional Electric Drive Side to Side Tarp - 4500HD Rocker Arm Kit	66-67
Figure 31 - Shur-Co Optional Electric Drive Side to Side Tarp - Pipe Kits	68-69
Figure 32 - Flow Control	70-71
Figure 33 - Grain Kit	72-75
Figure 34 - Screen Filler Kit	76-77
Figure 35 - Optional Roof Hood	78-79
Parts Notes	80

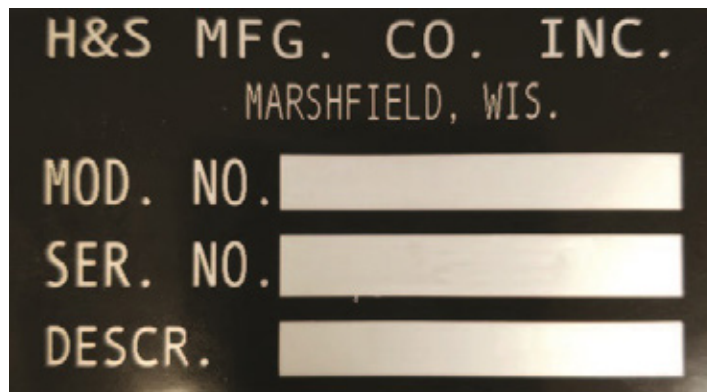
INSTRUCTIONS FOR ORDERING PARTS

All service parts should be ordered through your authorized H&S dealer. He will be able to give you faster service if you will provide them with the following:

1. Model & Serial Number - Both can be located on the left frame stringer by the jack handle.
2. All references to left or right apply to the machine as viewed from the rear.
3. Parts should not be ordered from illustration only. Please order complete part number.
4. If your dealer has to order parts - give shipping instructions:

VIA truck - large pieces (please specify local truck lines)

VIA United Parcel Service (include full address)



H&S MFG. CO. INC.
MARSHFIELD, WIS.

MOD. NO.

SER. NO.

DESCR.

PLEASE RECORD NUMBERS FOR YOUR UNIT FOR QUICK REFERENCE

ABOUT IMPROVEMENTS

H&S IS CONTINUALLY STRIVING TO IMPROVE ITS PRODUCTS

We must, therefore, reserve the right to make improvements or changes whenever it becomes practical to do so, without incurring any obligation to make changes or additions to the equipment previously sold.

FIGURE 1
BODY PANELS LH

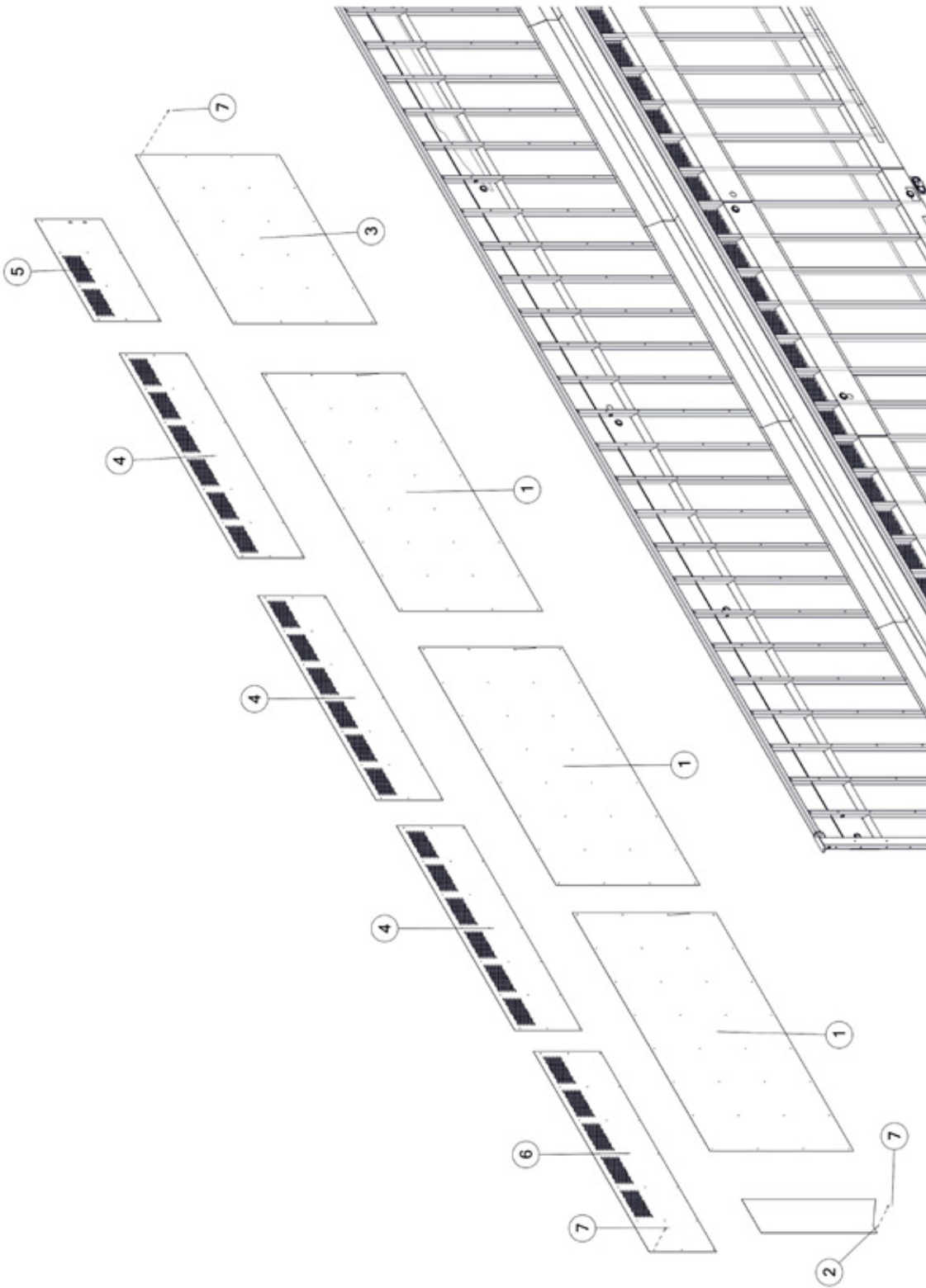


FIGURE 1
BODY PANELS LH

<u>ITEM</u>	<u>QTY</u>	<u>PART#</u>	<u>DESCRIPTION</u>
1	3	78452	PANEL SIDE, CENTER
2	1	79482	PANEL SIDE, BACK
3	1	81979	PANEL, FRONT
4	3	81793	EXTENSION SIDE, CENTER
5	1	81851	EXTENSION SIDE, FRONT
6	1	81852	EXTENSION SIDE, BACK
7	163	1043	HUCK RIVET

FIGURE 2
BODY PANELS RH

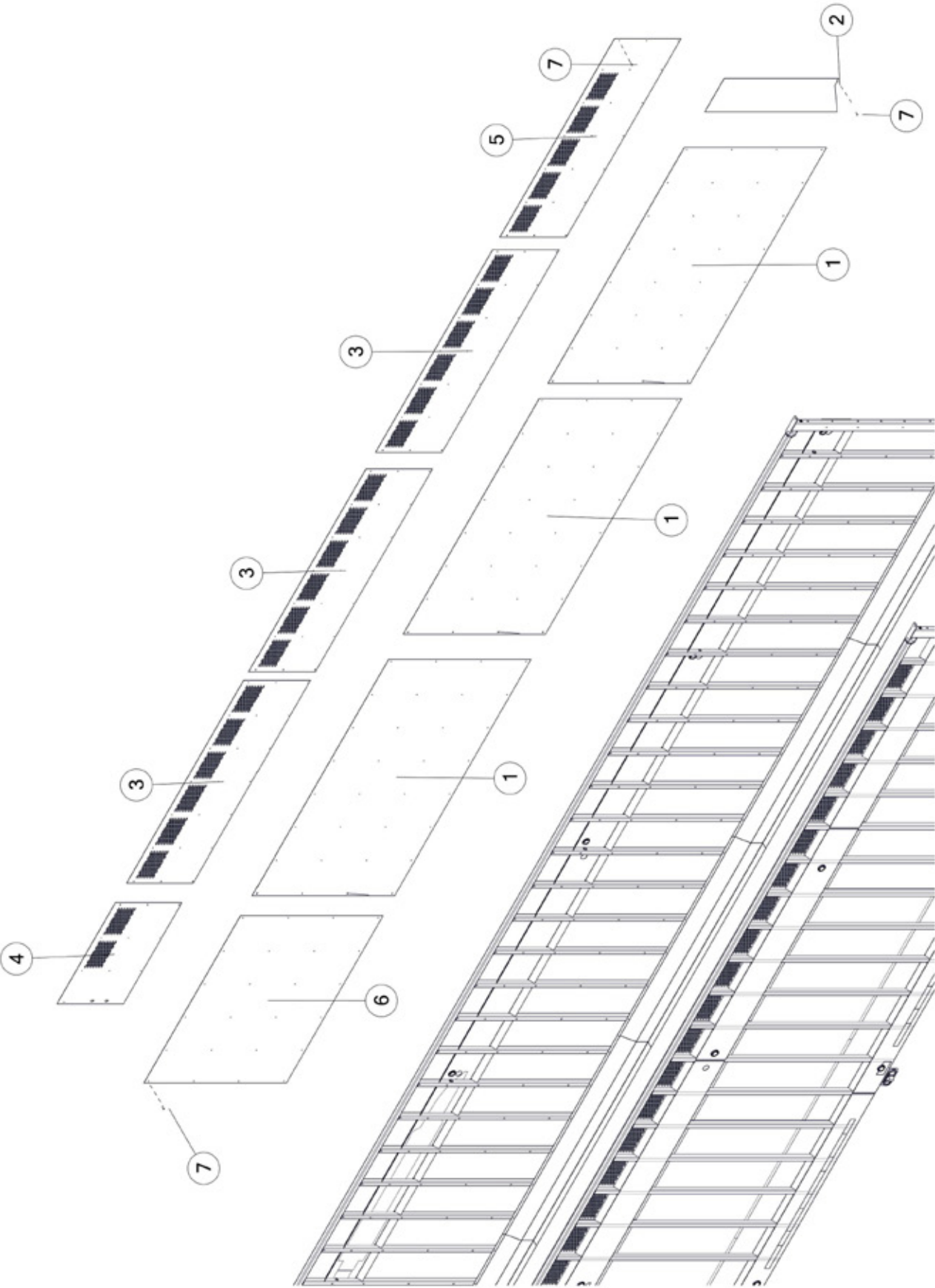


FIGURE 2
BODY PANELS RH

<u>ITEM</u>	<u>QTY</u>	<u>PART#</u>	<u>DESCRIPTION</u>
1	13	78452	PANEL, CENTER
2	1	79482	PANEL SIDE, BACK
3	3	81793	EXTENSION SIDE, CENTER
4	1	81851	EXTENSION SIDE, FRONT
5	1	81852	EXTENSION SIDE, BACK
6	1	81979	PANEL, FRONT
7	163	1043	HUCK RIVET

FIGURE 3
FRONT PANEL & COMPONENTS

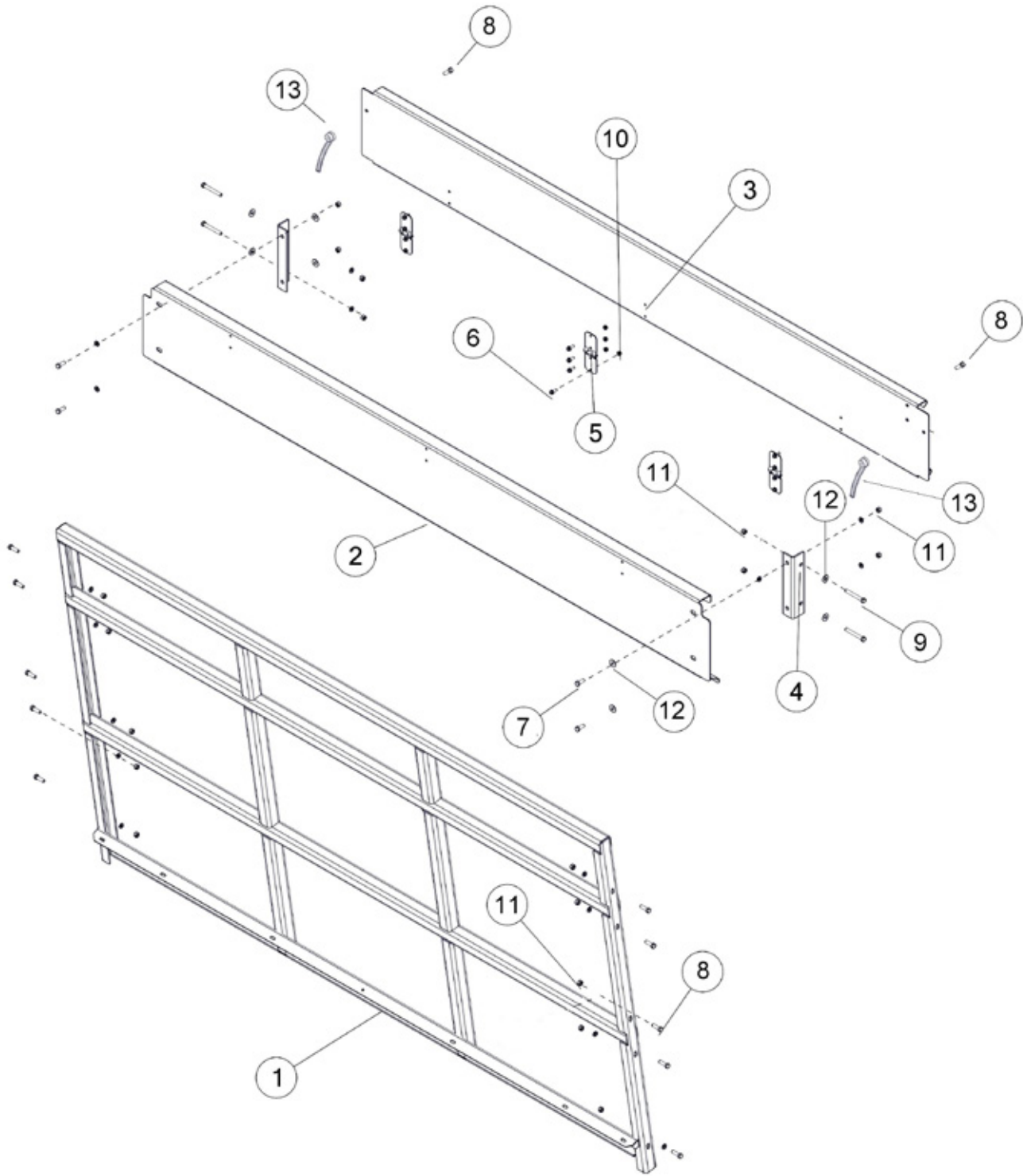


FIGURE 3
FRONT PANEL & COMPONENTS

<u>ITEM</u>	<u>QTY</u>	<u>PART#</u>	<u>DESCRIPTION</u>
1	1	78093	FRAME, SLANTED
2	1	82135	PANEL, FRONT UPPER
3	1	82138	PANEL, UPPER
4	2	02306G01	ANGLE
5	3	82134	HINGE
6	9	YBFB08075	BOLT FLANGE, 1/4 X 3/4 G5
7	4	YBFB12003	BOLT FLANGE, 3/8 X 1 G5
8	12	YBFB12125	BOLT FLANGE, 3/8 X 1-1/4 G5
9	4	YBFB12300	BOLT FLANGE, 3/8 X 3 G5
10	9	YNFG08010	NUT FLANGE, 1/4
11	36	YNFG12006	NUT FLANGE, 3/8
12	8	YNFG20005	WASHER FLAT, 3/8
13	2	S192	HANDLE NUT

FIGURE 4
WINDOW & COMPONENTS

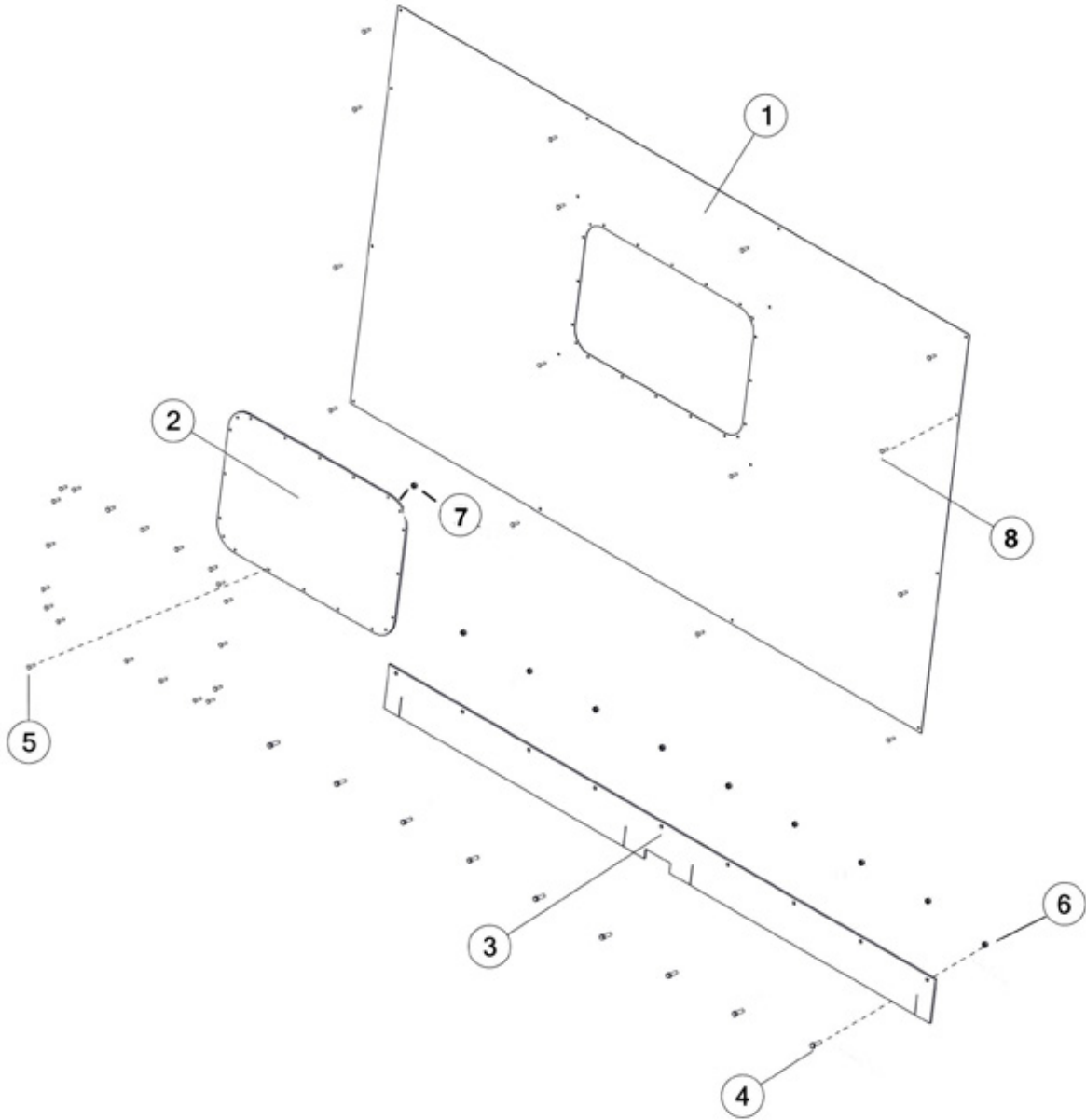


FIGURE 4
WINDOW & COMPONENTS

<u>ITEM</u>	<u>QTY</u>	<u>PART#</u>	<u>DESCRIPTION</u>
1	1	78092	PANEL, FRONT
2	1	55839	WINDOW W/HOLES
3	1	78274	RUBBER SEAL, FRONT
4	9	YBFB12125	BOLT FLANGE, 3/8 X 1-1/4 G5
5	20	YBFB08075	BOLT FLANGE, 1/4 X 3/4 G5
6	9	YNFG12006	NUT FLANGE, 3/8
7	20	YNFG08010	NUT FLANGE , 1/4 GF
8	16	1043	HUCK RIVET

FIGURE 5 FRONT GUARDS & COMPONENTS

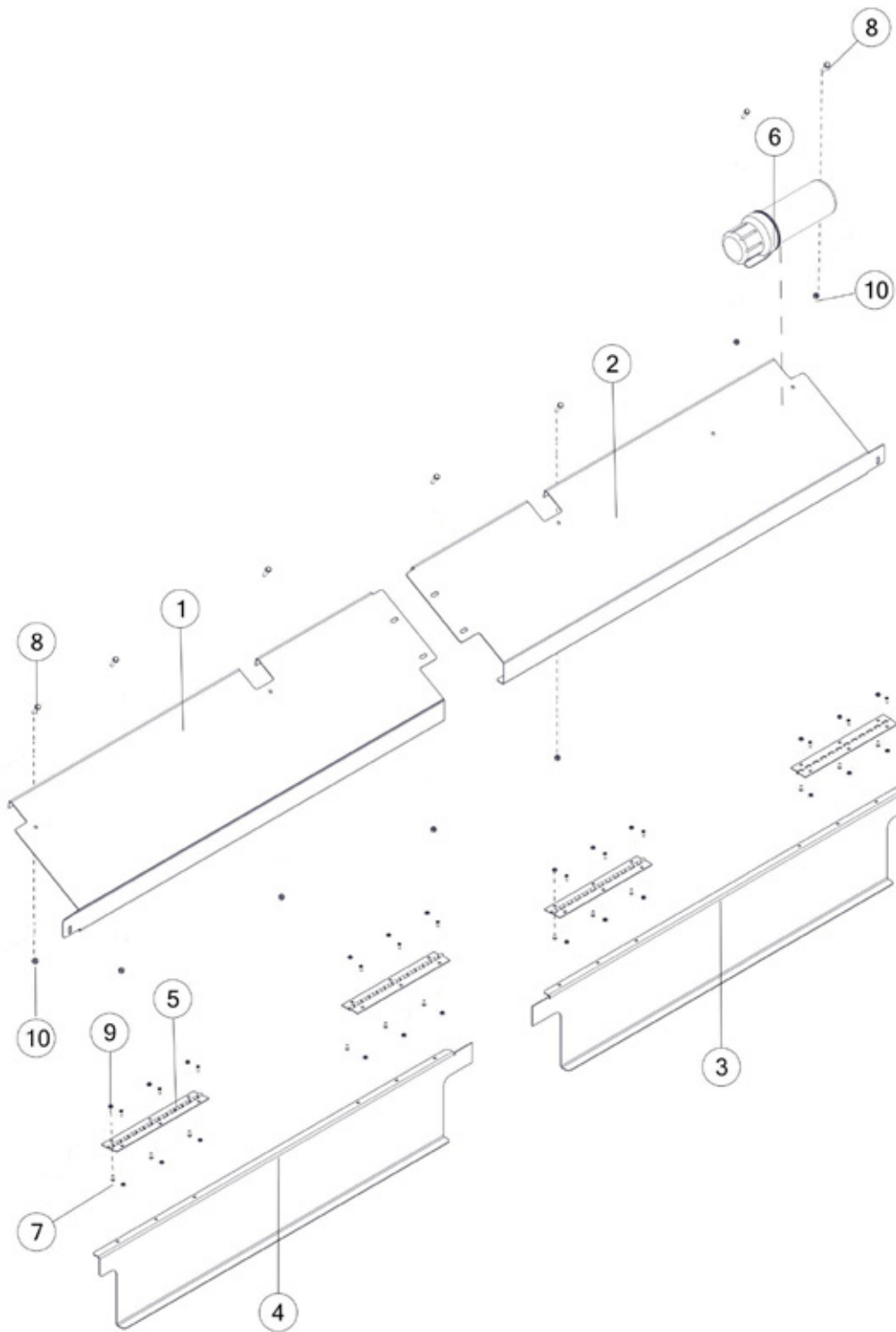


FIGURE 5 **FRONT GUARDS & COMPONENTS**

<u>ITEM</u>	<u>QTY</u>	<u>PART#</u>	<u>DESCRIPTION</u>
1	1	BBS72	SHIELD, FRONT
2	1	BBST14G28B	SHIELD SLANT, FRONT LH
3	1	BBST14G20B	SHIELD, FRONT BOTTOM LH
4	1	BBS73B	SHIELD, FRONT BOTTOM LH
5	4	BBSTMS15	HINGE 12 IN
6	1	S522	MANUAL HOLDER
7	24	YSFM62005	SCREW FLAT HEAD CAP, #8-32 X 1/2
8	8	YBFB08100	BOLT FLANGE, 1/4 X 1 G5
9	24	YNNY62005	NUT HEX, #8-32
10	8	YNFG08010	NUT FLANGE, 1/4

FIGURE 6 **GLADHANDS & COMPONENTS**

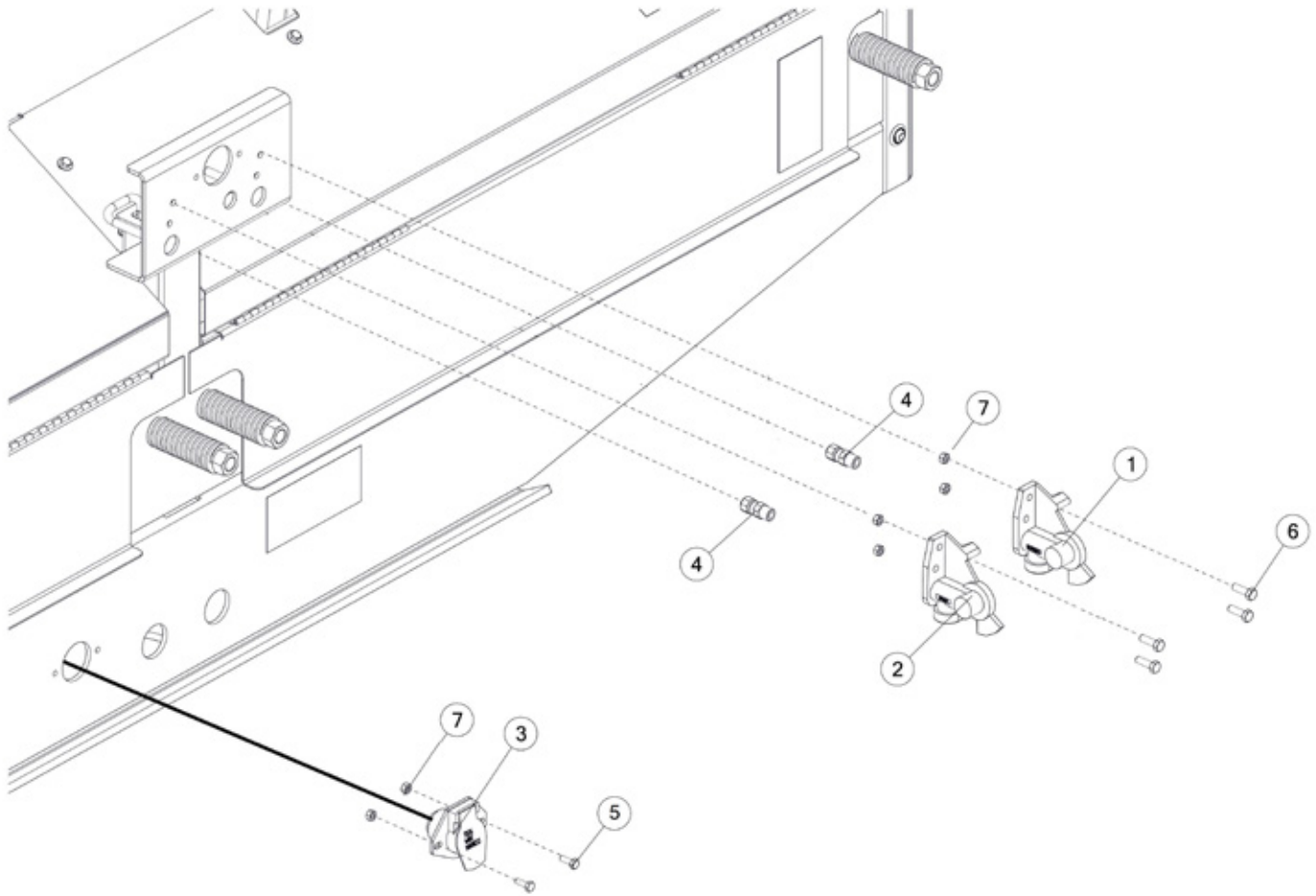


FIGURE 6
GLADHANDS & COMPONENTS

<u>ITEM</u>	<u>QTY</u>	<u>PART#</u>	<u>DESCRIPTION</u>
1	1	1015	37 DEGREE EMERGENCY GLADHAND (RED)
2	1	1014	37 DEGREE SERVICE GLADHAND (BLUE)
3	1	78653	ELEC HARNESS
4	2	1032	MALE CONNECTOR, 3/8
5	2	YBFB08075	BOLT FLANGE, 1/4 X 3/4 G5
6	4	YBHH10010	BOLT HEX, 5/16 X 1 G5
7	6	YNFG08010	NUT FLANGE, 1/4
*	1	78657	ELEC HARNESS

***MEANS NOT SHOWN**

FIGURE 7 FLOOR & COMPONENTS

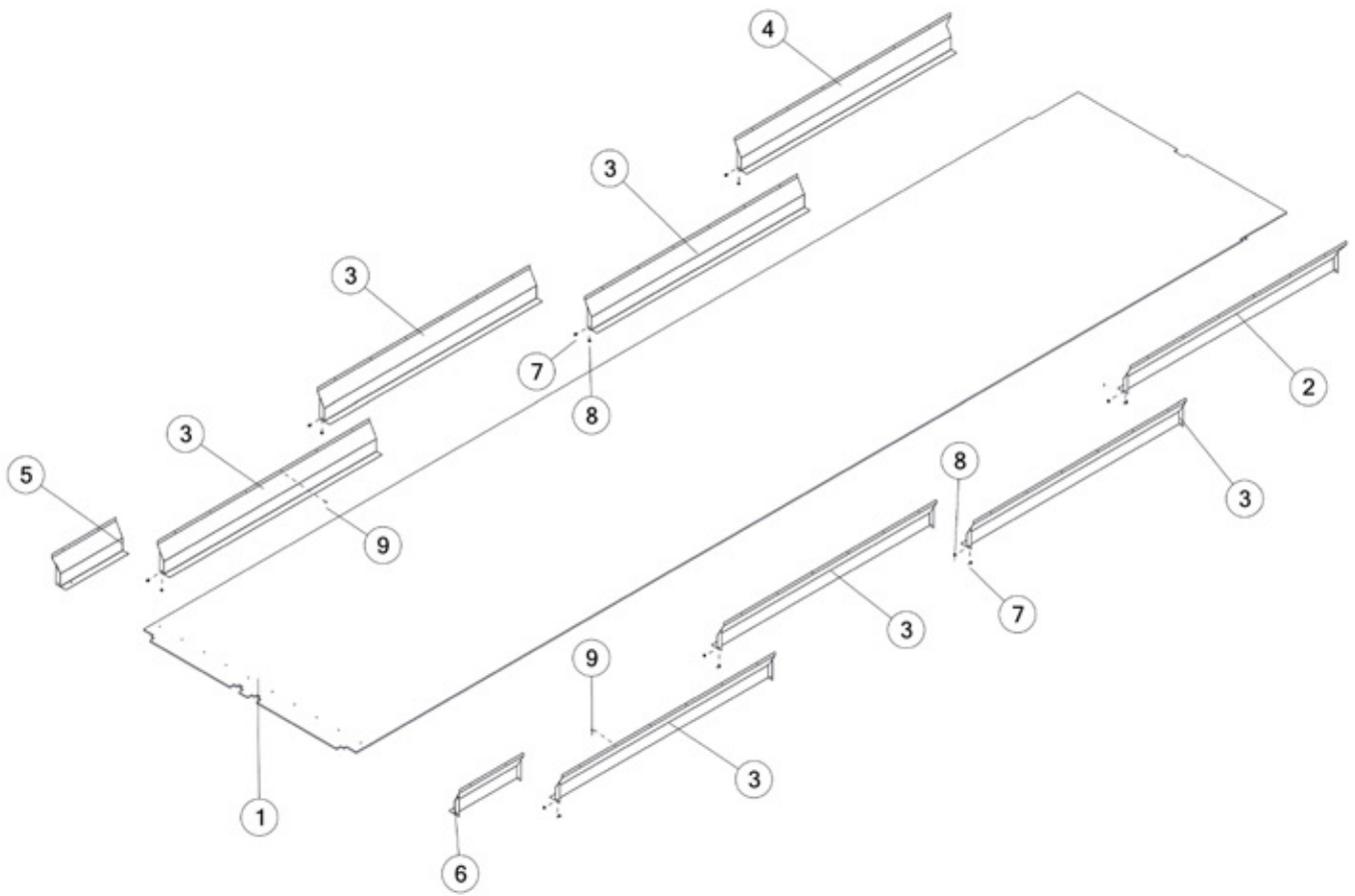


FIGURE 7
FLOOR & COMPONENTS

<u>ITEM</u>	<u>QTY</u>	<u>PART#</u>	<u>DESCRIPTION</u>
1	1	82201	POLY FLOOR
2	1	81940	PANEL SLANT, BACK LH
3	6	81947	PANEL SLANT, INSIDE, CENTER
4	1	81949	PANEL SLANT, BACK RH
5	1	82405	PANEL SLANT, FRONT RH
6	1	82484	PANEL SLANT, FRONT LH
7	8	YBFB12075	BOLT FLANGE, 3/8 X 3/4 G5
8	8	YNFG12006	NUT FLANGE, 3/8
9	52	YSDR66007	SCREW SELF DRILLING, 12 X 1-1/4

FIGURE 8
CHAIN & COMPONENTS

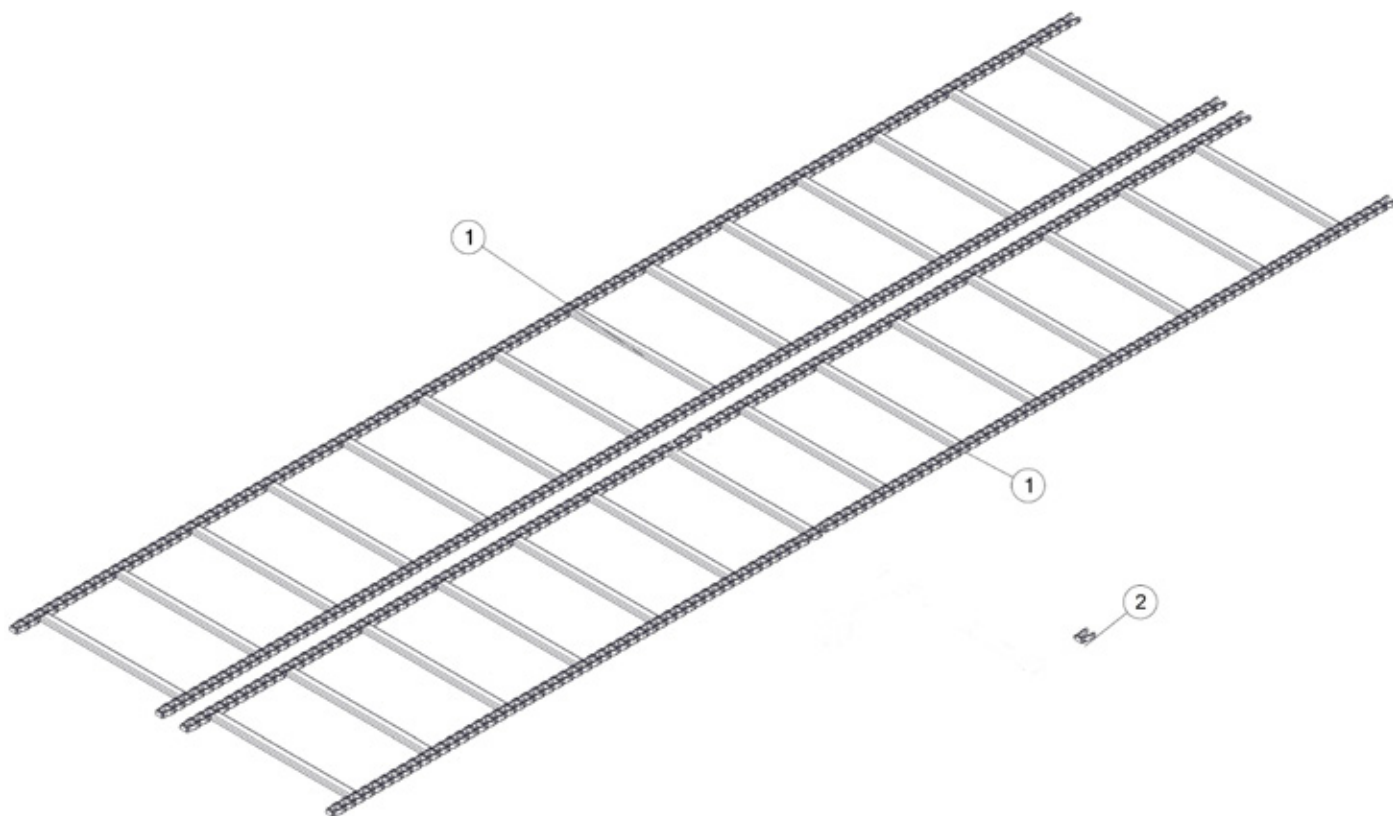


FIGURE 8
CHAIN & COMPONENTS

<u>ITEM</u>	<u>QTY</u>	<u>PART#</u>	<u>DESCRIPTION</u>
1	6	78317	PINTLE APRON CHAIN
2	480	8061	CONNECTOR LINK
*	2	55815	APRON CHAIN,PL88C X 40,5 SLATS

* ITEM NOT SHOWN

FIGURE 9 IDLER SHAFT COMPONENTS

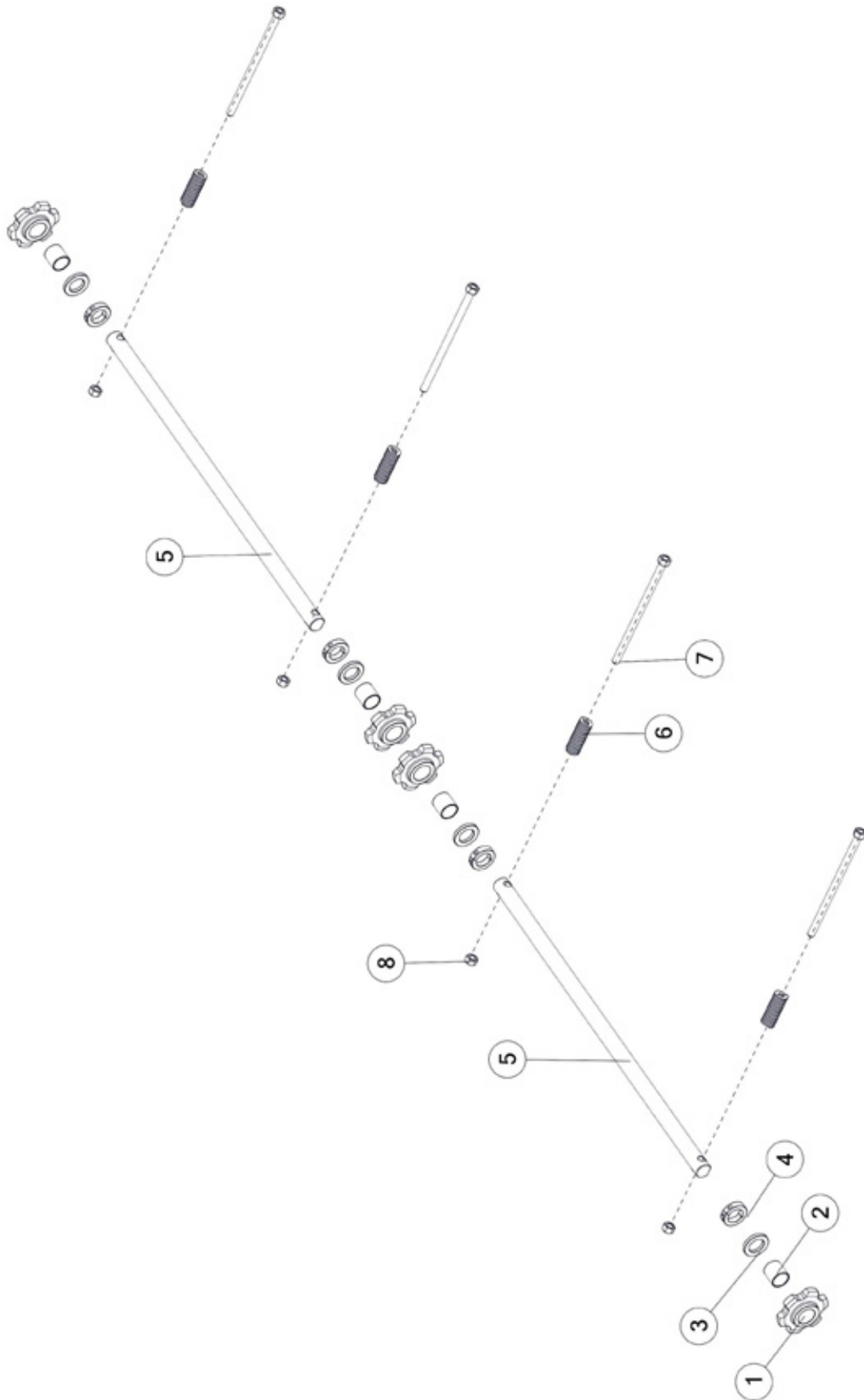


FIGURE 9
IDLER SHAFT COMPONENTS

<u>ITEM</u>	<u>QTY</u>	<u>PART#</u>	<u>DESCRIPTION</u>
1	4	BBSTSH07	IDLER SPROCKET
2	4	RGT3	BUSHING
3	4	BBSTPL05	POLY SPACER
4	4	8340	CLAMP COLLAR
5	4	BBS29	IDLER SHAFT, FRONT
6	7	BBS35	COMPRESSION SPRING
7	7	BBS34	TIGHTENER ROD

FIGURE 10 **DRIVE SHAFT & COMPONENTS**

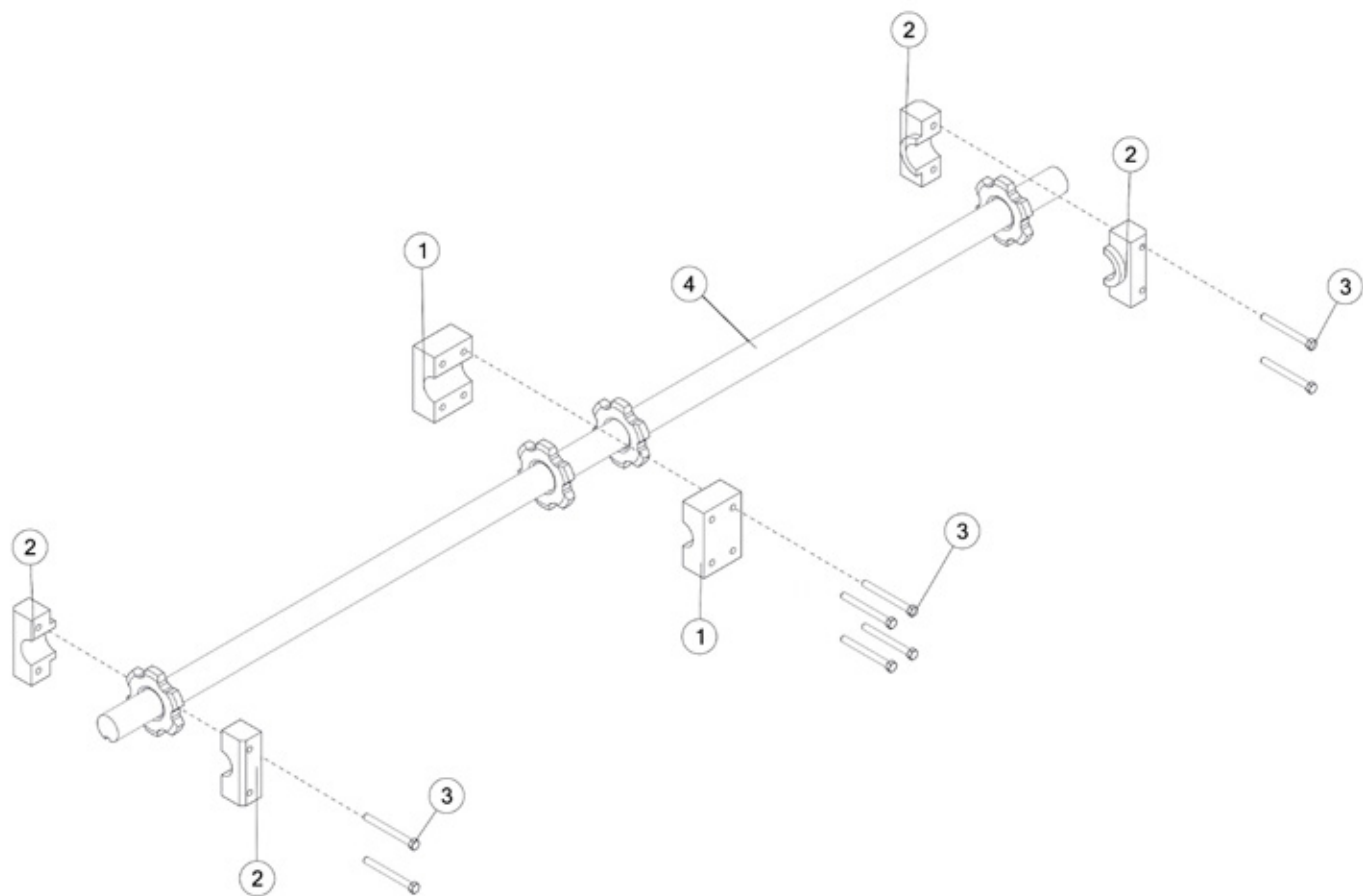


FIGURE 10
DRIVE SHAFT & COMPONENTS

<u>ITEM</u>	<u>QTY</u>	<u>PART#</u>	<u>DESCRIPTION</u>
1	2	BBS62	CENTER DRIVE SHAFT BEARING
2	4	BBS63	OUTER DRIVE SHAFT BEARING
3	8	YBFB16500	BOLT FLANGE, 1/2 X 5 G5
4	1	BBSTWE04	DRIVE SHAFT

FIGURE 11 DRIVE SHAFT GUARDS

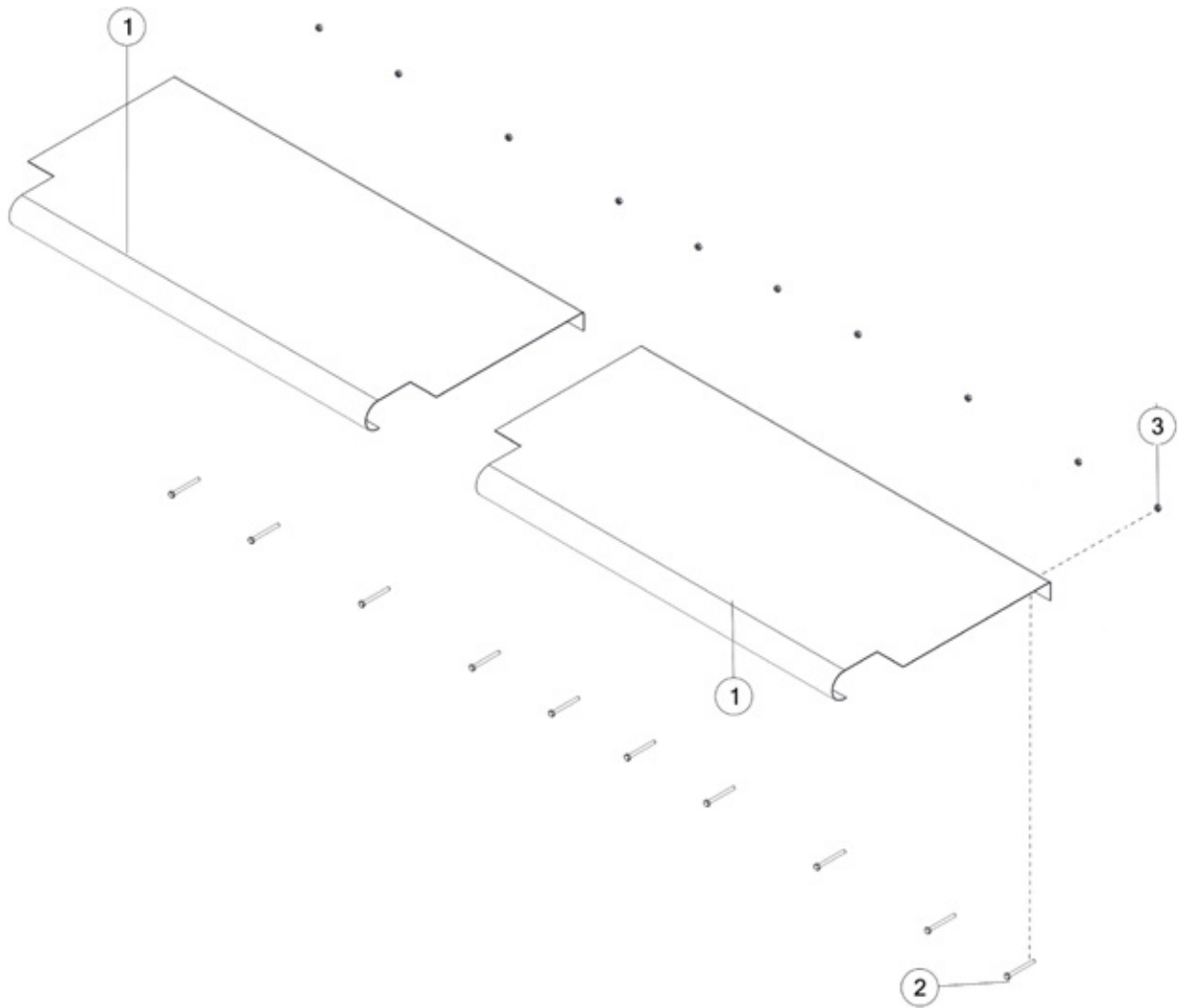


FIGURE 11
DRIVE SHAFT GUARDS

<u>ITEM</u>	<u>QTY</u>	<u>PART#</u>	<u>DESCRIPTION</u>
1	2	BBS76	DRIVE SHAFT GUARD
2	10	YBFB08250	BOLT FLANGE, 1/4 X 2-1/2 G5
3	10	YNFG08010	NUT FLANGE, 1/4

FIGURE 12
DRIVE SPROCKET LH

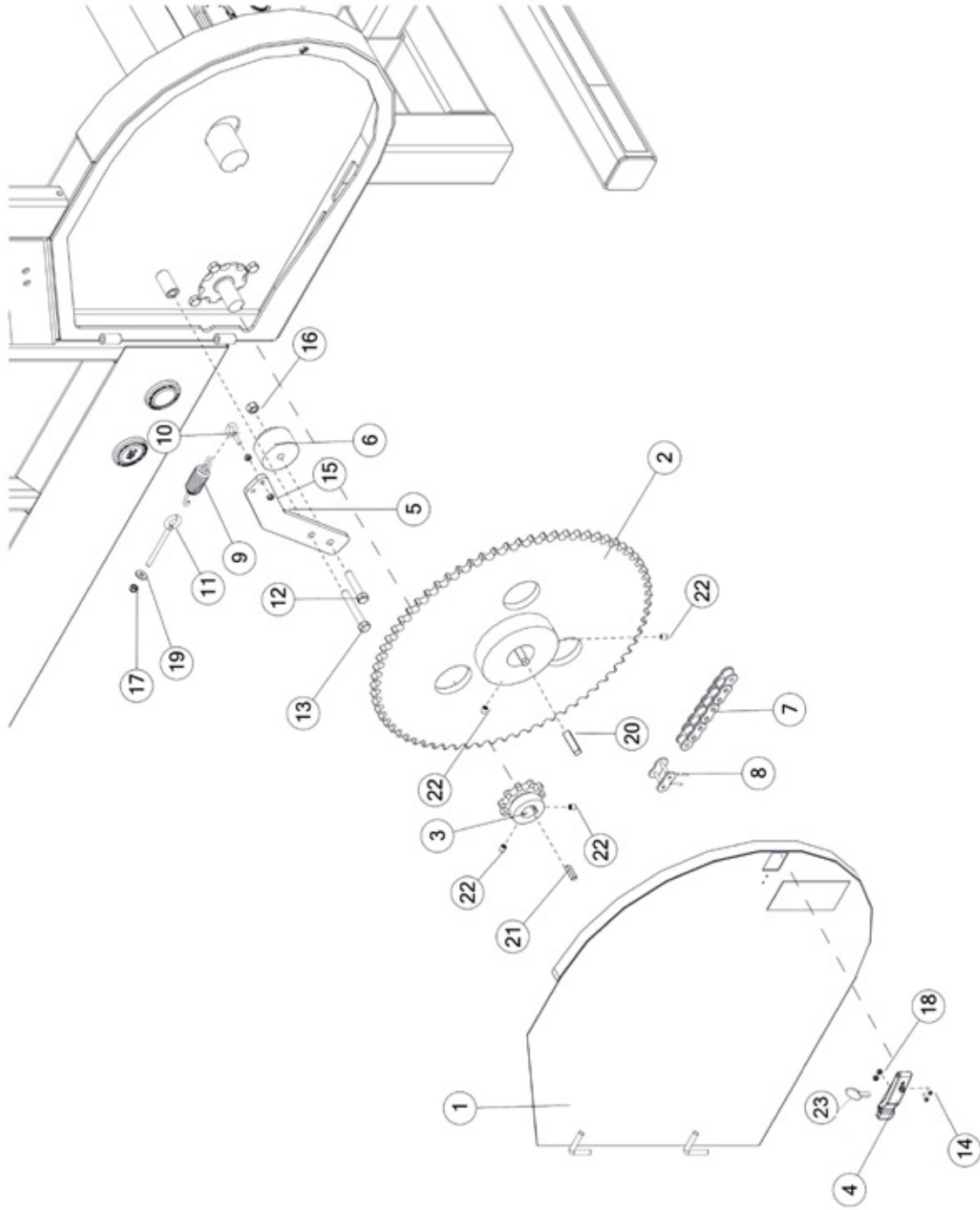


FIGURE 12

DRIVE SPROCKET LH

<u>ITEM</u>	<u>QTY</u>	<u>PART#</u>	<u>DESCRIPTION</u>
1	1	81996	SHIELD, CHAIN CASE LH
2	1	BBS60	DRIVEN SPROCKET
3	1	BBS61	DRIVE SPROCKET
4	1	80180	DRAW LATCH
5	1	BBS9	TIGHTENER BAR
6	1	BBS10	POLY TIGHTENER
7	1	1042	ROLLER CHAIN
8	1	IFB17	CONNECTOR LINK
9	1	GM410	EXTENSION SPRING
10	1	YBTE08005	BOLT TURNED EYE, 1/4 X 1
11	1	YBTE10040	BOLT TURNED EYE, 5/16 X 4
12	1	YBHH16080	BOLT HEX, 1/2 X 2-1/2 G5
13	1	YBHH16115	BOLT HEX, 1/2 X 3-1/2 G5
14	2	YSPP62006	SCREW PAN HEAD, #8-32 X 1/2
15	2	YNHX08005	NUT HEX, 1/4
16	1	YNRL16005	NUT HEX, REVERSIBLE-SIDE LOCK, 1/2
17	1	YNNY10005	NUT HEX, 5/16 G2
18	2	YNNY62005	NUT HEX, 8-32 G2
19	1	YWFL10005	WASHER FLAT, 5/16
20	1	BBS59	SQUARE KEY, 1/2 X 2
21	1	G23A	SQUARE KEY, 5/16 X 1-1/4
22	4	YSKP12010	SCREW SET, 3/8 X 1/2
23	1	YPLY08011	LYNCH PIN, 1/4 X 9/16

FIGURE 13 DRIVE SPROCKET RH

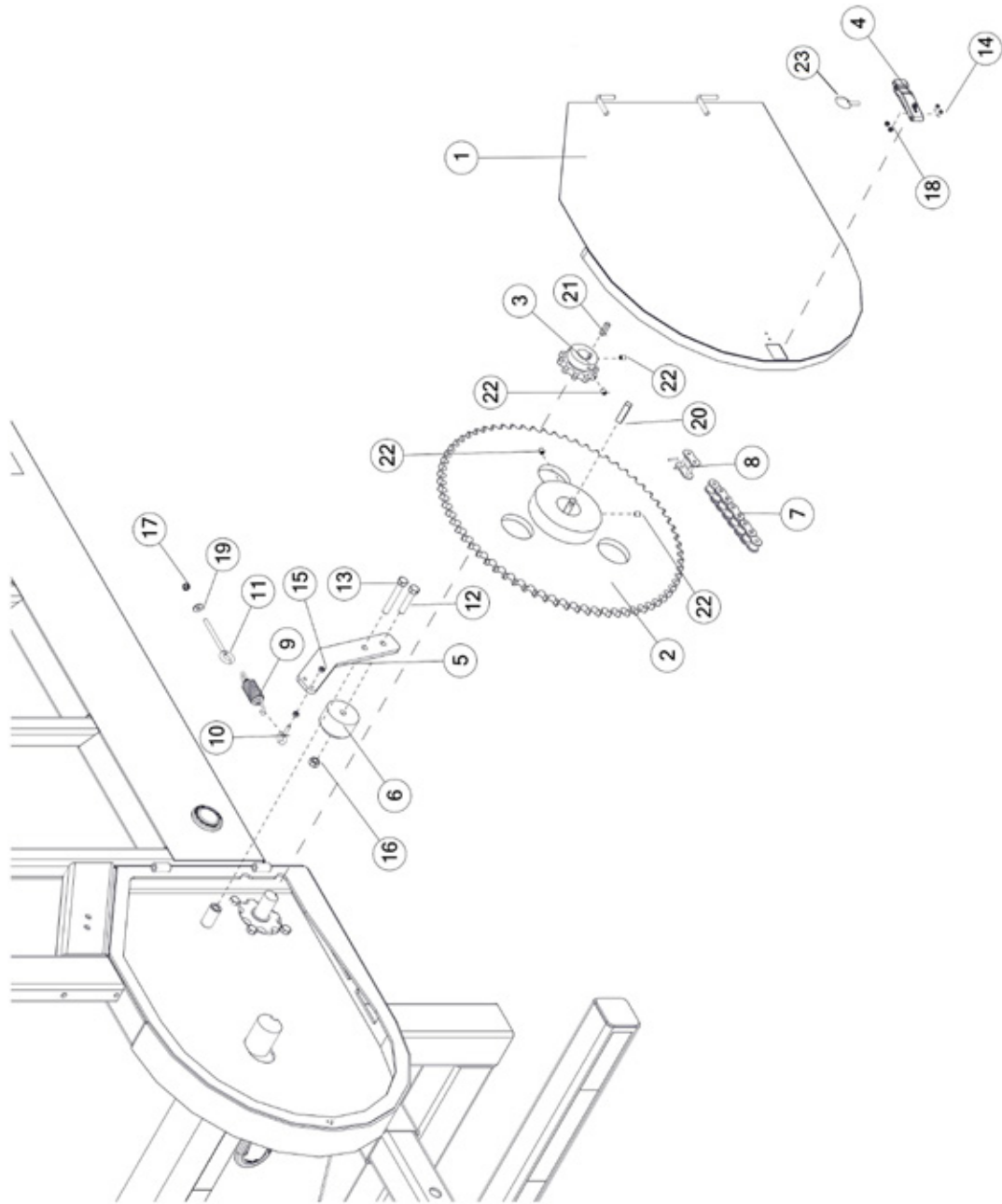


FIGURE 13

DRIVE SPROCKET RH

<u>ITEM</u>	<u>QTY</u>	<u>PART#</u>	<u>DESCRIPTION</u>
1	1	82103	SHIELD, CHAIN CASE RH
2	1	BBS60	DRIVEN SPROCKET
3	1	BBS61	DRIVE SPROCKET
4	1	80180	DRAW LATCH
5	1	BBS9	TIGHTENER BAR
6	1	BBS10	POLY TIGHTENER
7	1	1042 I	ROLLER CHAIN
8	1	FB17	CONNECTOR LINK
9	1	GM410	EXTENSION SPRING
10	1	YBTE08005	BOLT TURNED EYE, 1/4 X 1
11	1	YBTE10040	BOLT TURNED EYE, 5/16 X 4
12	1	YBHH16080	BOLT HEX, 1/2 X 2-1/2 G5
13	1	YBHH16115	BOLT HEX, 1/2 X 3-1/2 G5
14	2	YSPP62006	SCREW PAN HEAD, #8-32 X 1/2
15	2	YNHX08005	NUT HEX, 1/4
16	1	YNRL16005	NUT HEX, REVERSIBLE-SIDE LOCK, 1/2
17	1	YNNY10005	NUT HEX, 5/16 G2
18	2	YNNY62005	NUT HEX, 8-32 G2
19	1	YWFL10005	WASHER FLAT, 5/16
20	1	BBS59	SQUARE KEY, 1/2 X 2
21	1	G23A	SQUARE KEY, 5/16 X 1-1/4
22	4	YSKP12010	SCREW SET, 3/8 X 1/2
23	1	YPLY08011	LYNCH PIN, 1/4 X 9/16

FIGURE 14
HYDRAULICS

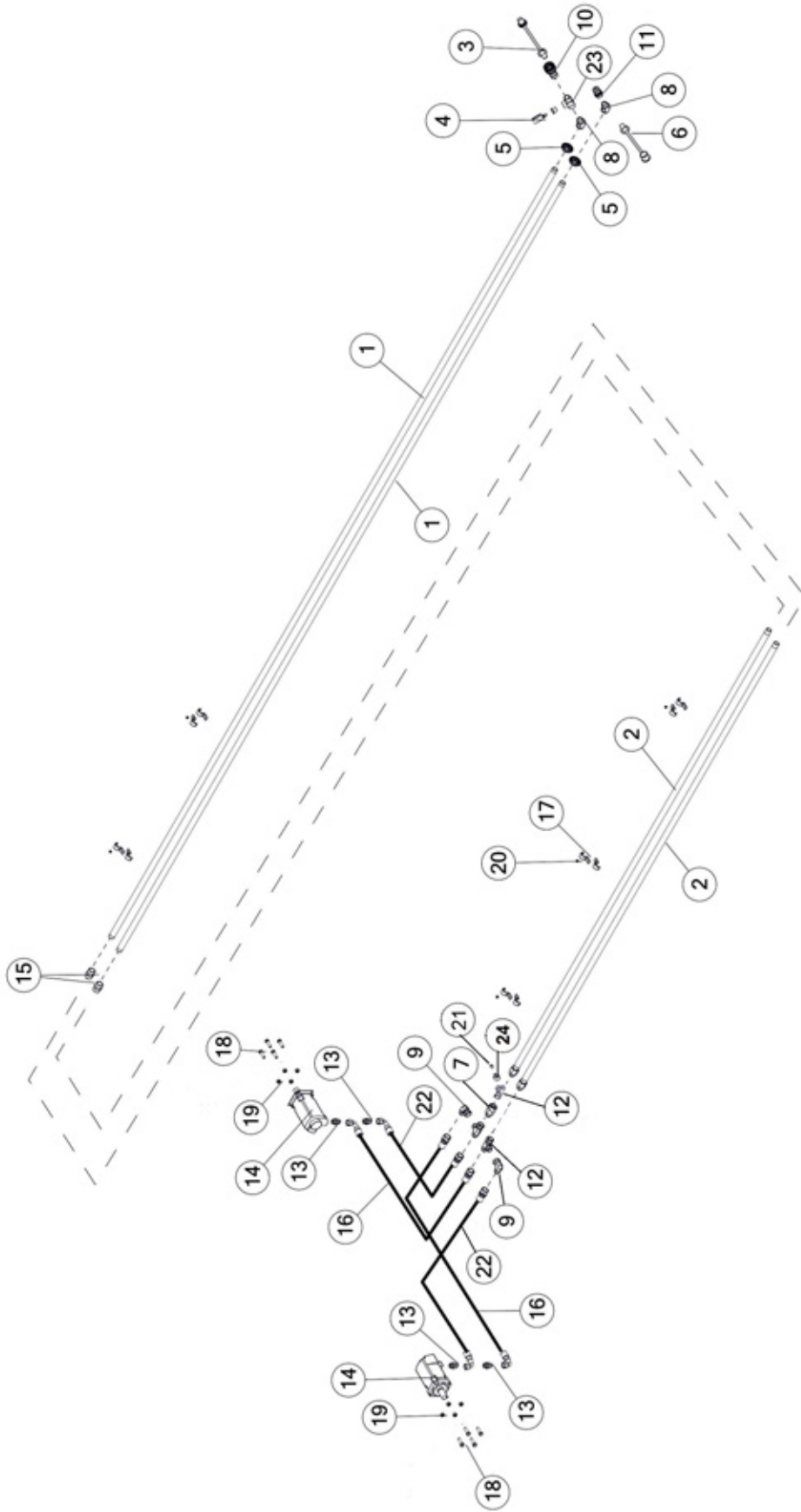


FIGURE 14 **HYDRAULICS**

<u>ITEM</u>	<u>QTY</u>	<u>PART#</u>	<u>DESCRIPTION</u>
1	2	BBSTPI02	HYDRAULIC LINE
2	2	79549	HYDRAULIC LINE
3	1	79642	COUPLER DUST PLUG
4	1	BBS33	4000 PSI GAUGE
5	2	BBS91	ROUND LIGHT GROMMET
6	1	79641	NIPPLE DUST CAP
7	1	53829	CHECK VALVE
8	2	79550	FITTING, 45, 1NPT X 1NPT
9	2	8021	SWIVEL NUT ELBOW
10	1	BBS31	QUICK COUPLER - FEMALE
11	2	BBS32	QUICK COUPLER - MALE
12	2	CHM182	SWIVEL NUT RUN TEE
13	4	SD273	FITTING, ST, 12JIC, 12ORB
14	2	33SV73	HYDRAULIC MOTOR
15	2	BBS85	MALE PIPE COUPLING
16	2	BBSTMS18	HYDRAULIC HOSE, MOTOR RETURN
17	5	BBS86	PIPE CLAMP
18	8	YBHH16065	BOLT HEX, 1/2-13 X 2 G5 ZC
19	8	YNFG16003	NUT FLANGE, 1/2 GF
20	5	YNNY08005	NUT HEX, 1/4 G2
21	8	83114	FITTING CAP, 6JIC
22	2	BBSTMS17	HYDRAULIC HOSE, PRESSURE TO MOTOR
23	1	DWM113	SERVICE TEE
24	1	CHM183	REDUCER

FIGURE 15
GATE DELAY OPTIONAL

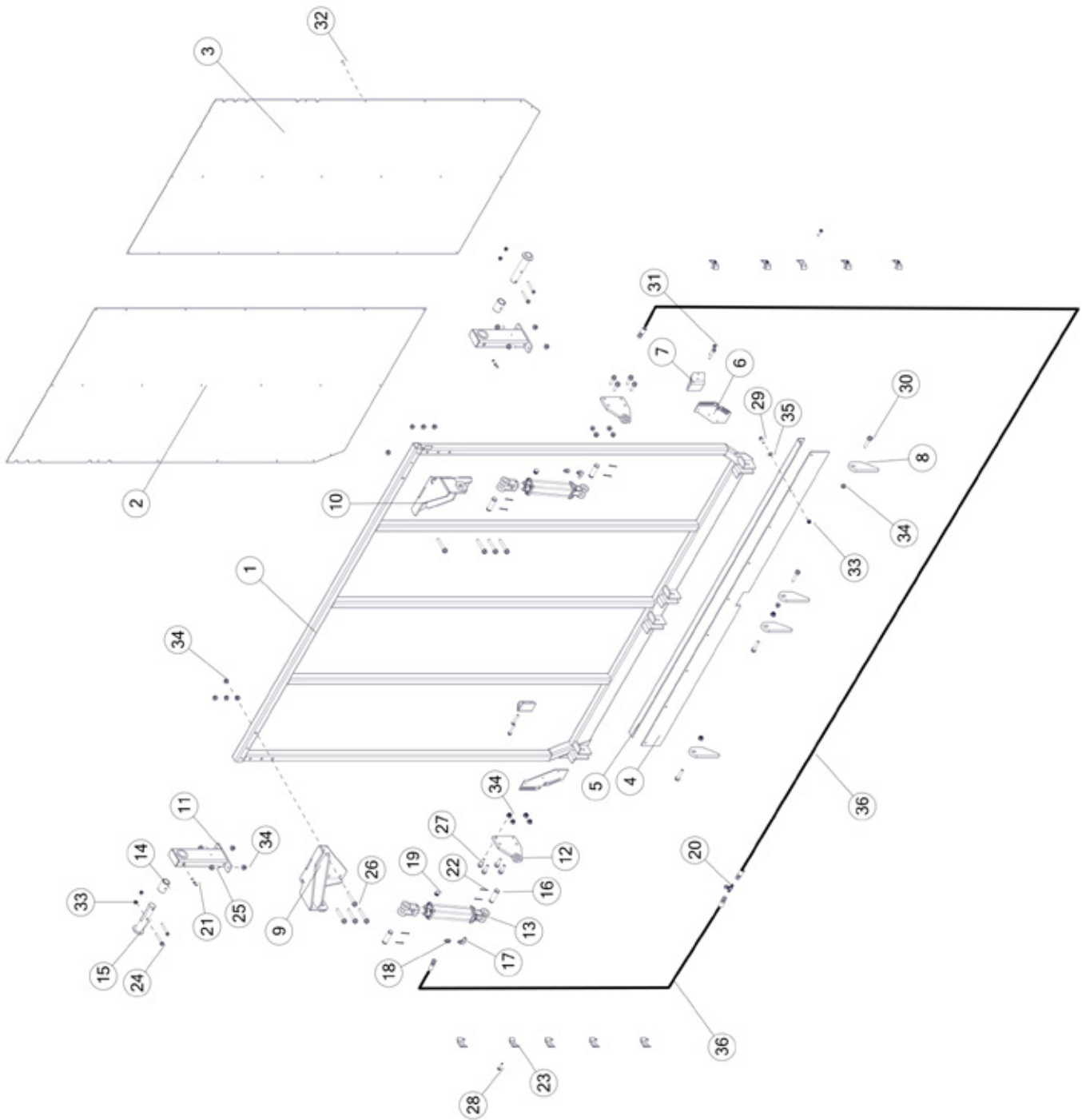


FIGURE 15

GATE DELAY OPTIONAL

<u>ITEM</u>	<u>QTY</u>	<u>PART#</u>	<u>DESCRIPTION</u>
1	1	BBS17	DOOR
2	1	BBST16G06	PANEL DOOR, RH
3	1	61409	PANEL DOOR, LH
4	1	78295	DOOR RUBBER, REAR DOOR
5	1	78296	DOOR ANGLE
6	2	55902	CORNER DOOR SEAL
7	2	56155	DOOR STOP, RH
8	4	BBS67	LATCH
9	1	89265	UPPER GATE DELAY MOUNT, LH
10	1	89945	UPPER GATE DELAY MOUNT, RH
11	2	BBS20	STAKE TOP REAR ASSEMBLY
12	2	89267	LOWER GATE DELAY MOUNT
13	2	55999	CYLINDER (3000 PSI), 2 X 8
*	2	56187	SEAL KIT
14	2	56244	BUSHING, DRIVE SHAFT
15	2	BBS64	DOOR HINGE PIN
16	4	T143	HYDRAULIC CYLINDER PIN
17	2	CHM164	FITTING, 90, 6JIC X 3/8NPT
18	2	58144	IN-LINE CONNECTOR, ORIFICE, 6-XHX7-S .062
19	2	BFR70	VENT PLUG, 3/8
20	1	58137	FITT T, 6JIC, 6JIC 6JIC
21	2	16SV26	PIPE GREASE ZERK
22	8	YPCT05010	COTTER PIN, 5/32 X 1-1/2
23	10	23N67	FRONT HOSE BRACKET
24	4	YBFB12300	BOLT FLANGE, 3/8 X 3 G5
25	4	YBFB16150	BOLT FLANGE, 1/2 X 1-1/2 G5
26	8	YBFB16350	BOLT FLANGE, 1/2 X 3-1/2 G5
27	8	YBFB16175	BOLT FLANGE, 1/2 X 1-3/4 G5
28	10	YSHW10020	THREAD CUTTING SCREW F, 5/16-18 X 1-1/2 HEX WASHER
29	9	YBFB12125	BOLT FLANGE, 3/8 X 1-1/4 G5
30	4	YBFB16250	BOLT FLANGE, 1/2 X 2-1/2 G5
31	4	YBFB12250	BOLT FLANGE, 3/8 X 2-1/2 G5
32	42	1043	HUCK RIVET
33	17	YNFG12006	NUT FLANGE, 3/8 GF
34	24	YNFG16003	NUT FLANGE, 1/2 GF
35	9	YWFL12005	WASHER, FLAT, 3/8
36	2	78689	HYDRAULIC HOSE, 6 X 230

FIGURE 16 BARN DOORS OPTIONAL

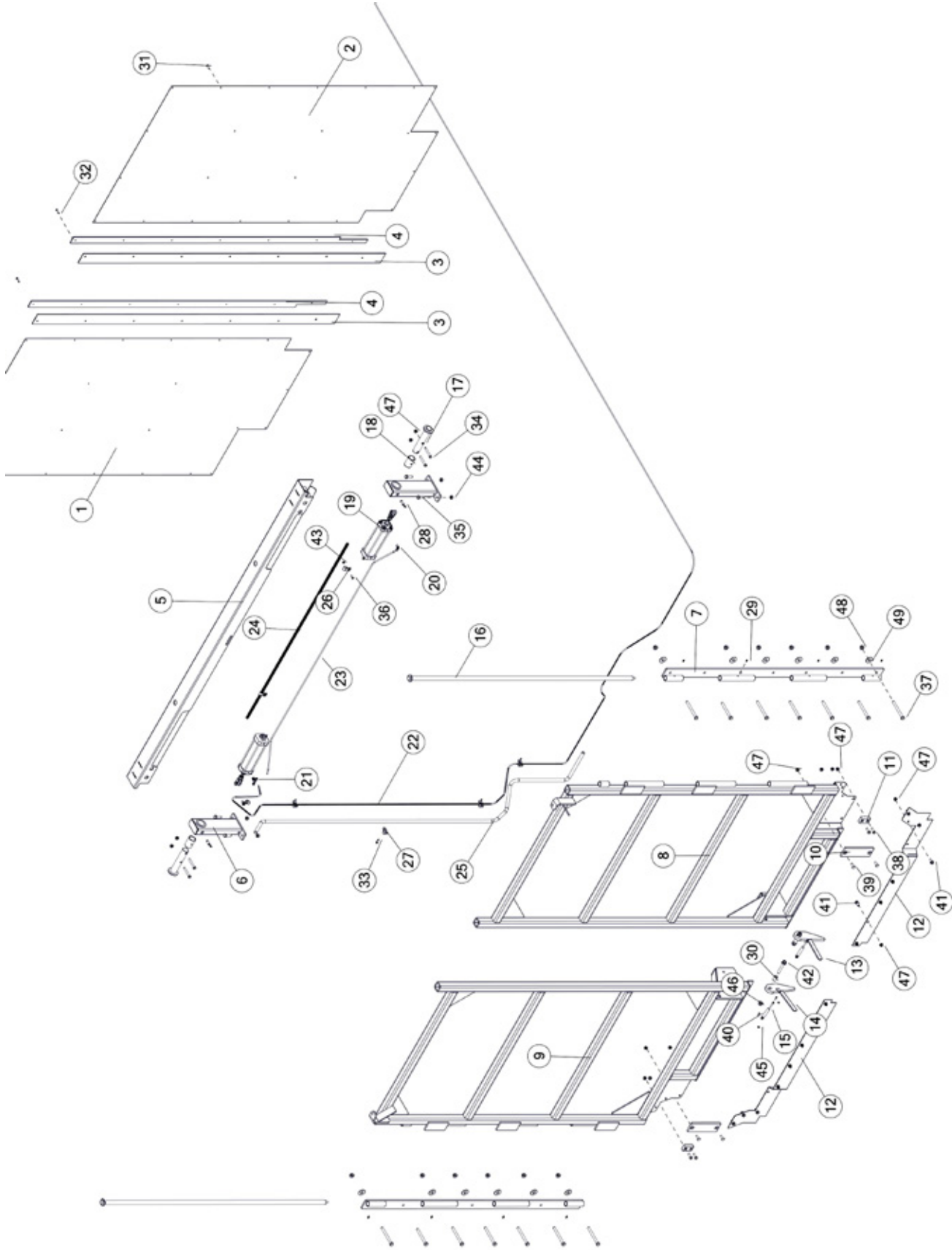


FIGURE 16

BARN DOORS OPTIONAL

<u>ITEM</u>	<u>QTY</u>	<u>PART#</u>	<u>DESCRIPTION</u>
1	1	66286	DOOR PANEL LH
2	1	022716G01	DOOR PANEL RH
3	2	0227RU02	DOOR SEAL
4	2	02273G05	DOOR SEAL HOLD DOWN
5	1	85203	TOP CHANNEL, AIR
6	2	BBS20	STAKE TOP REAR ASSEMBLY
7	2	82438	HINGE
8	1	82444	DOOR RH
9	1	82451	DOOR LH
10	2	0227PL01	POLY BUMPER
11	2	0227PL02	0227 BARN DOOR FILLER BLOCK
12	2	0227RU01	DOOR SEAL BOTTOM
13	1	0227WE08	LATCH RH
14	1	0227WE07	LATCH LH
15	2	SD190	GAS STRUT
16	2	82449	DOOR HINGE PIN
17	2	BBS64	DOOR HINGE PIN
18	2	56244	BUSHING, DRIVE SHAFT
19	2	GD49	AIR CYLINDER, 2-1/2" X 8
20	1	GD5	MALE ELBOW, 1/4
21	1	GD26	AIR TEE, 1/4
22	1	79792	CYLINDER SUPPLY LINE 530" (BLACK)
23	1	0227MS03	CYLINDER TIE AIR LINE
24	1	0227MS02	WIRE LOOM
25	1	0227MS01	AIR LINE SHIELD
26	3	HGV72	CUSHION WIRE CLAMP 3/4
27	4	1097	EMT CLAMP, 1/2
28	2	16SV26	30 DEG ZERK, 1/8 NPT X 2-3/32
29	8	MS26	STRAIGHT ZERK, 1/4
30	2	0227PI02	LATCH SPACER
31	48	1043	HUCK RIVET
32	14	YSDR66007	SELF DRILLING SCREW, HEX WASHER HEAD, #12-14 X 1-1/4
33	5	YSDR08005	SELF DRILLING SCREW, HEX WASHER HEAD, 1/4 X 1
34	4	YBHH12120	BOLT HEX, 3/8 X 3 G5
35	4	YBHH16030	BOLT HEX, 1/2 X 1-1/2 G5
36	2	YBHH08100	BOLT HEX, 1/4 X 3/4 G5
37	14	YBHH16160	BOLT HEX, 1/2 X 5-1/2 G5
38	4	YBHH12035	BOLT HEX, 3/8 X 1-1/4 G5
39	4	YBCR12020	BOLT CARRIAGE, 3/8-16 X 1-1/4 G5
40	4	1135	SCREW MACHINE, PHILLIPS HEAD, #8-32 X 3/4
41	16	YBFB12003	BOLT FLANGE, 3/8 X 1 G5
42	2	YBFB16350	BOLT FLANGE, 1/2 X 3-1/2 G5
43	2	YNTL08005	NUT HEX, 1/4
44	2	YNTL16005	NUT HEX, 1/2
45	4	YNHX62005	NUT HEX, MACHINE, #8-32
46	2	YNFG16005	NUT FLANGE, 1/2
47	16	YNFG12006	NUT FLANGE, 3/8
48	14	YNFG16003	NUT FLANGE, 1/2
49	12	YWFL20005	WASHER, FLAT, 5/8

FIGURE 17
HAND CONTROLLER

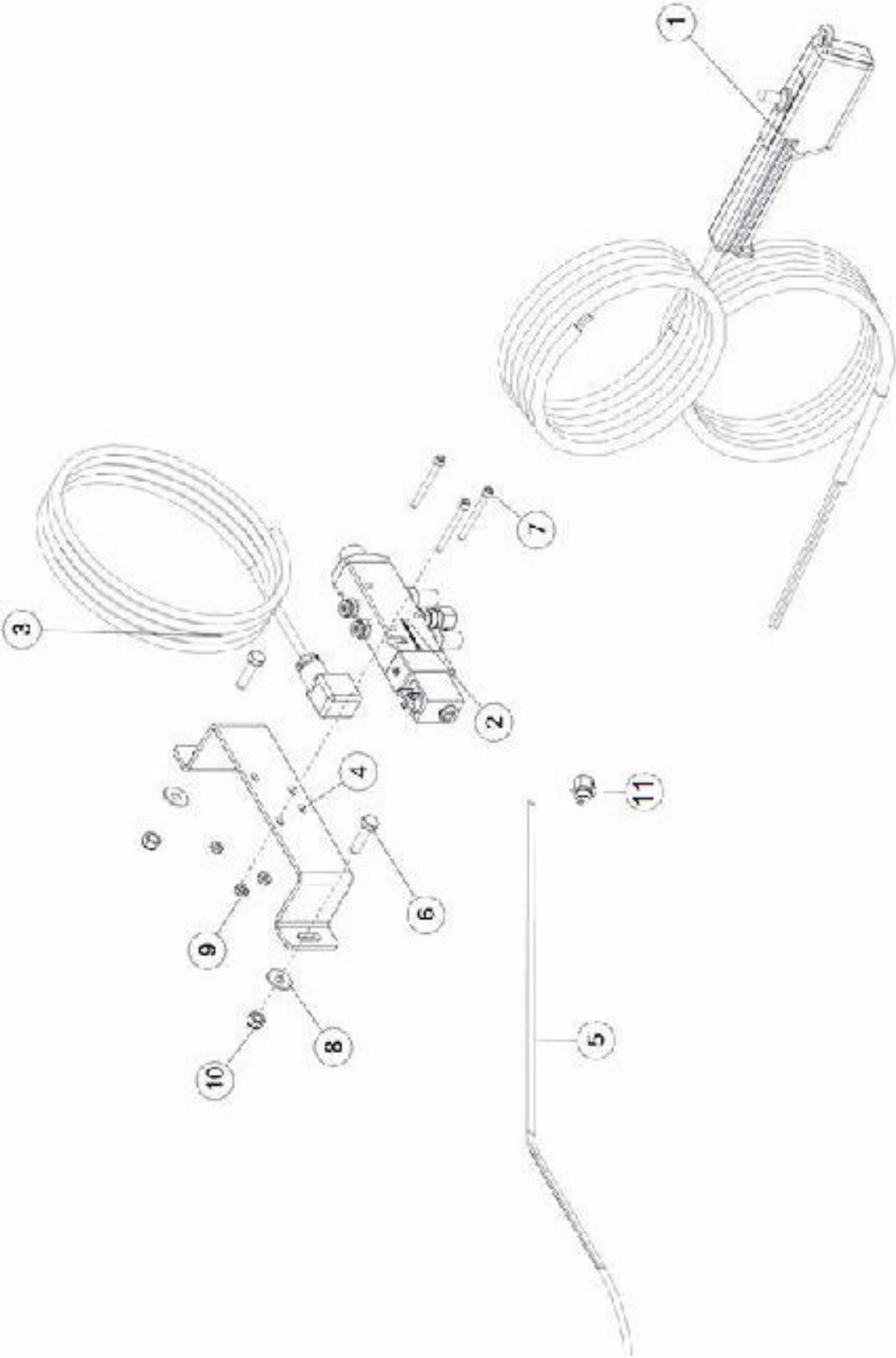


FIGURE 17 HAND CONTROLLER

<u>ITEM</u>	<u>QTY</u>	<u>PART#</u>	<u>DESCRIPTION</u>
1	1	63361	HAND CONTROLLER, (ON)-OFF
2	1	8031	VALVE 4 WA
3	1	1093	DIN CORD
4	1	54510	AIR VALVE MOUNTING BRACKET
5	1	79792	CYLINDER SUPPLY LINE 530 (BLACK)
6	2	YBHH08010	BOLT HEX, 1/4 X 1 G5
7	3	YSHS62005	BOLT SOCKET, #8-32 X 1-3/4
8	2	YWFL08005	WASHER FLAT, 1/4
9	3	YNHX62005	NUT HEX, MACHINE, #8-32
10	2	YNNY08005	NUT HEX, 1/4 G2
11	1	GD23	STRAIN RELIEF CONNECTOR

FIGURE 18 BUMPER & COMPONENTS

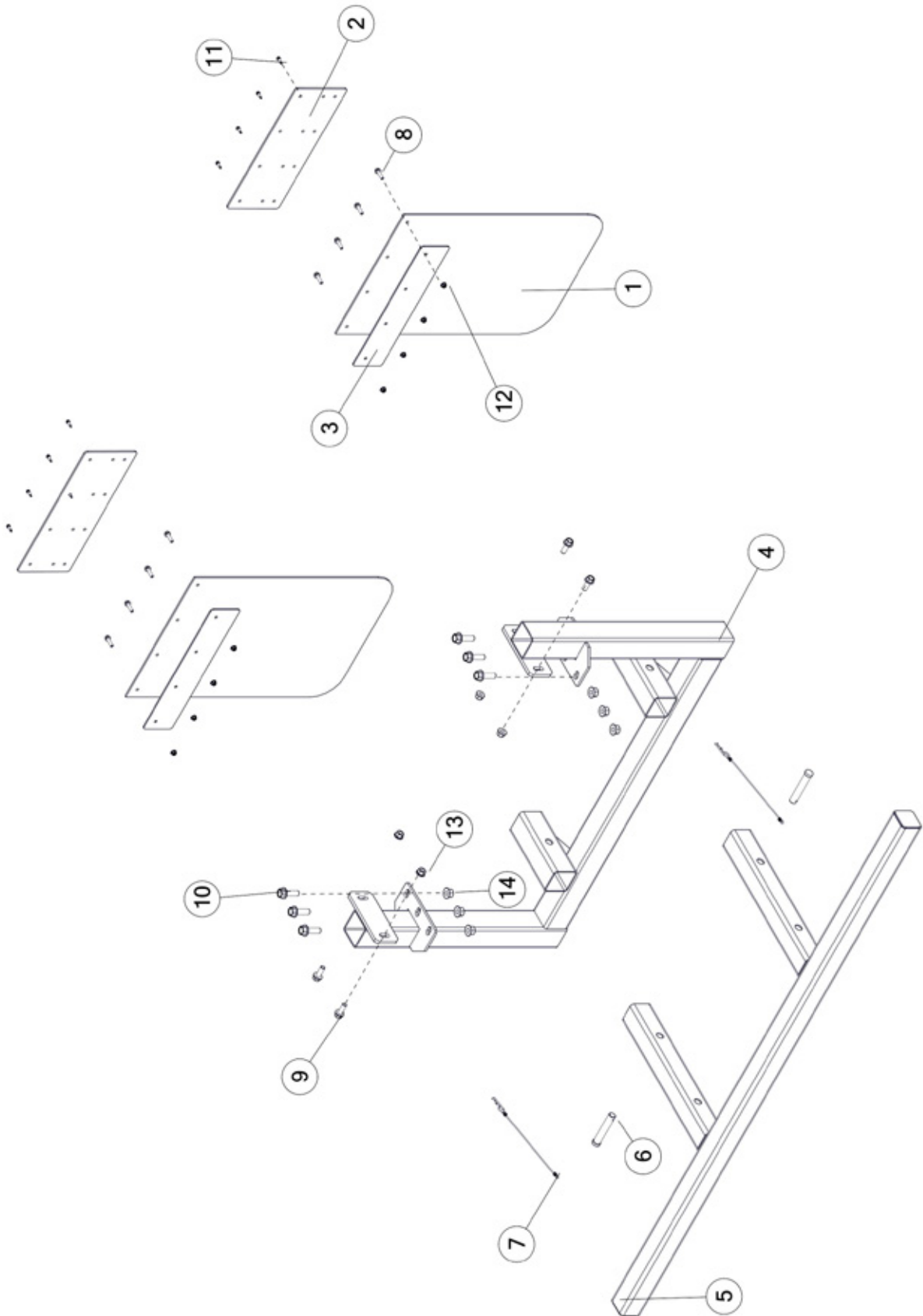


FIGURE 18

BUMPER & COMPONENTS

<u>ITEM</u>	<u>QTY</u>	<u>PART#</u>	<u>DESCRIPTION</u>
1	2	8034	MUDFLAP LONG
2	2	85463	MUD FLAP EXT. BRACKET
3	2	BBST6G09	MUD FLAP BRACKET
4	1	54149	BOLT ON BUMPER WELDMENT
5	1	54497	BUMPER
6	2	1118	CLEVIS PIN 1 X 4.75
7	2	57616	LANYARD, 9/64 X 2-11/16 HAIR PIN
8	8	YBFB12150	BOLT FLANGE, 3/8 X 1-1/2 G5
9	4	YBFB20175	BOLT FLANGE, 5/8 X 1-3/4 G5
10	6	YBFB24005	BOLT FLANGE, 3/4 X 2-1/2 G8
11	8	YSDR08005	SCREW SELF DRILLING,HEX WASHER HEAD, 1/4 X 1
12	8	YNFG12006	NUT FLANGE, 3/8
13	2	YNFG20005	NUT FLANGE, 5/8
14	6	YNFG24006	NUT FLANGE, 3/4

FIGURE 19 AIR LINES & COMPONENTS

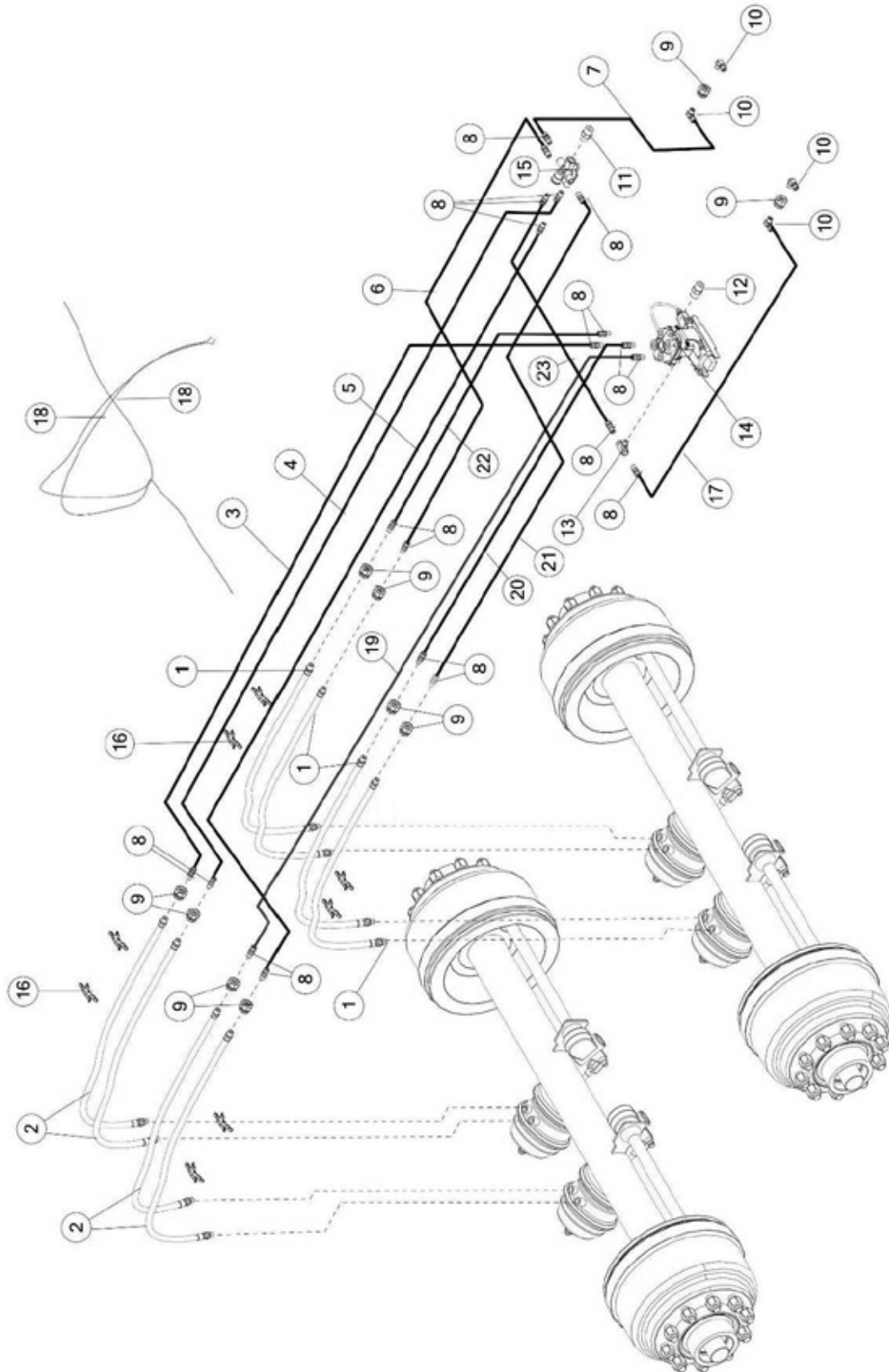


FIGURE 19

AIR LINES & COMPONENTS

<u>ITEM</u>	<u>QTY</u>	<u>PART#</u>	<u>DESCRIPTION</u>
1	4	1115	HOSE, FRONT
2	4	1116	HOSE, BACK
3	1	55630	SUPPLY LINE, 79
4	1	55758	EMERGENCY LINE, 67
5	1	55628	EMERGENCY LINE, 75
6	1	55632	EMERGENCY LINE, 19.5
7	1	54489	SUPPLY LINE, 149
8	20	1032	FITTING MALE CONN, 3/8
9	8	1114	FITTING BULKHEAD, 3/8 X 3/8
10	4	55798	FITTING ELBOW, 3/8 NPT
11	1	61584	FITTING NIPPLE, 3/4
12	1	LW98	FITTING NIPPLE, 3/4
13	1	WM146	FITTING TEE,
14	1	1013	MERITOR WABCO ABS KIT 2S/1M
15	1	1010	ABS SPRING BRAKE VALVE HOSE
16	8	79676	SEPARATOR
17	1	55746	SUPPLY LINE, 134.5
18	2	55759	ELECTRICAL LINE
19	1	55629	SUPPLY LINE, 67.5
20	1	55631	SUPPLY LINE, 10
21	1	1109	SUPPLY LINE, 22
22	1	55633	SUPPLY LINE, 25.5
23	1	55634	SUPPLY LINE, 15

FIGURE 20 AIR TANK & COMPONENTS

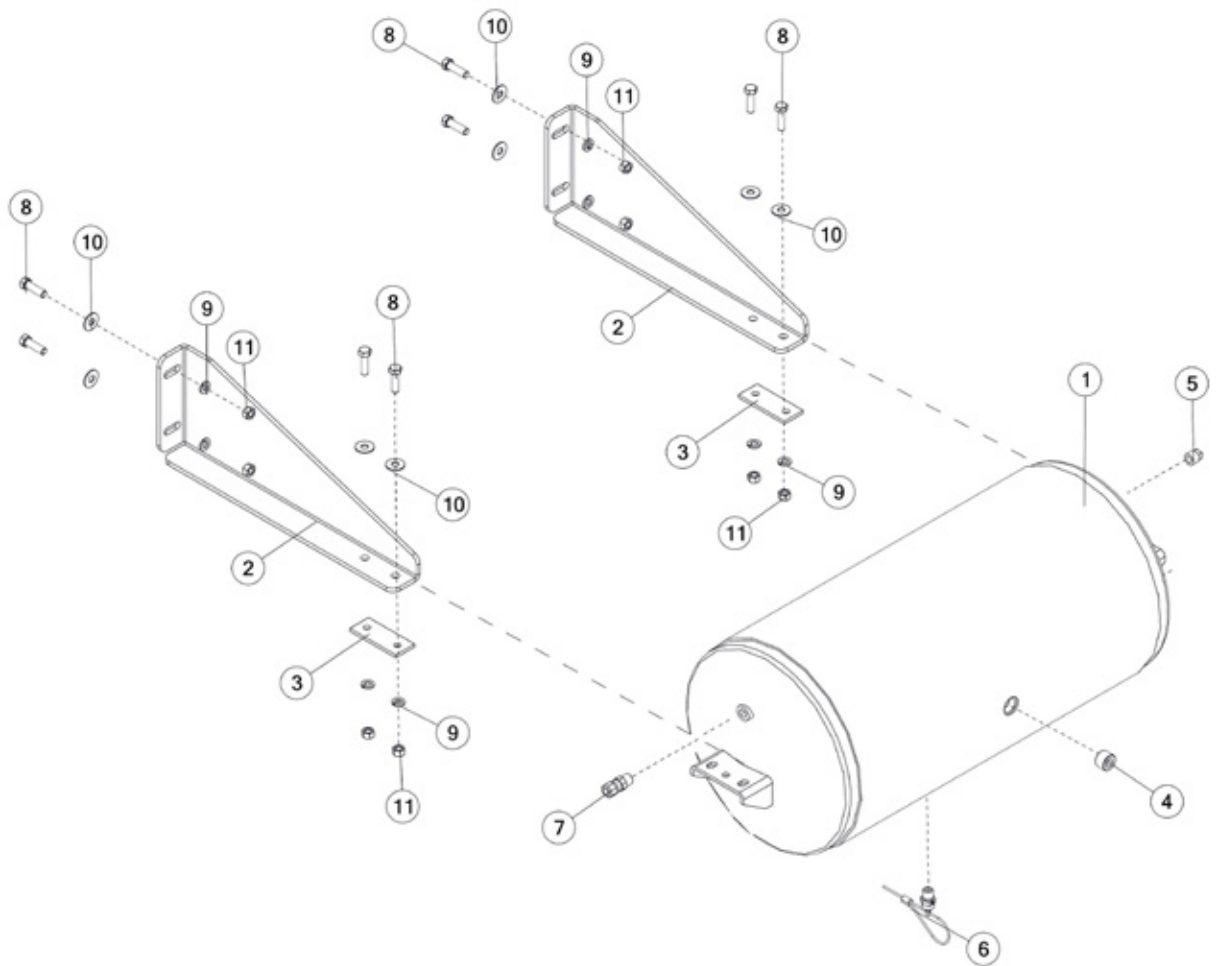


FIGURE 20
AIR TANK & COMPONENTS

<u>ITEM</u>	<u>QTY</u>	<u>PART#</u>	<u>DESCRIPTION</u>
1	1	1005	AIR TANK
2	2	54101	TANK HANGER
3	2	1006	AIR TANK RUBBER MOUNT
4	1	1037	HEX SOCKET PIPE PLUG, 3/4
5	1	1040	SQ HD PIPE PLUG, 3/8
6	1	1041	LANYARD VALVE, 1/4
7	1	1032	MALE CONN 3/8
8	6	YBHH12035	BOLT HEX, 3/8 X 1-1/4 G5
9	6	YWLO12005	WASHER LOCK, 3/8
10	4	YWFL12005	WASHER FLAT, 3/8
11	6	YNHX12005	NUT HEX, 3/8

FIGURE 21
AIR VALVE & COMPONENTS

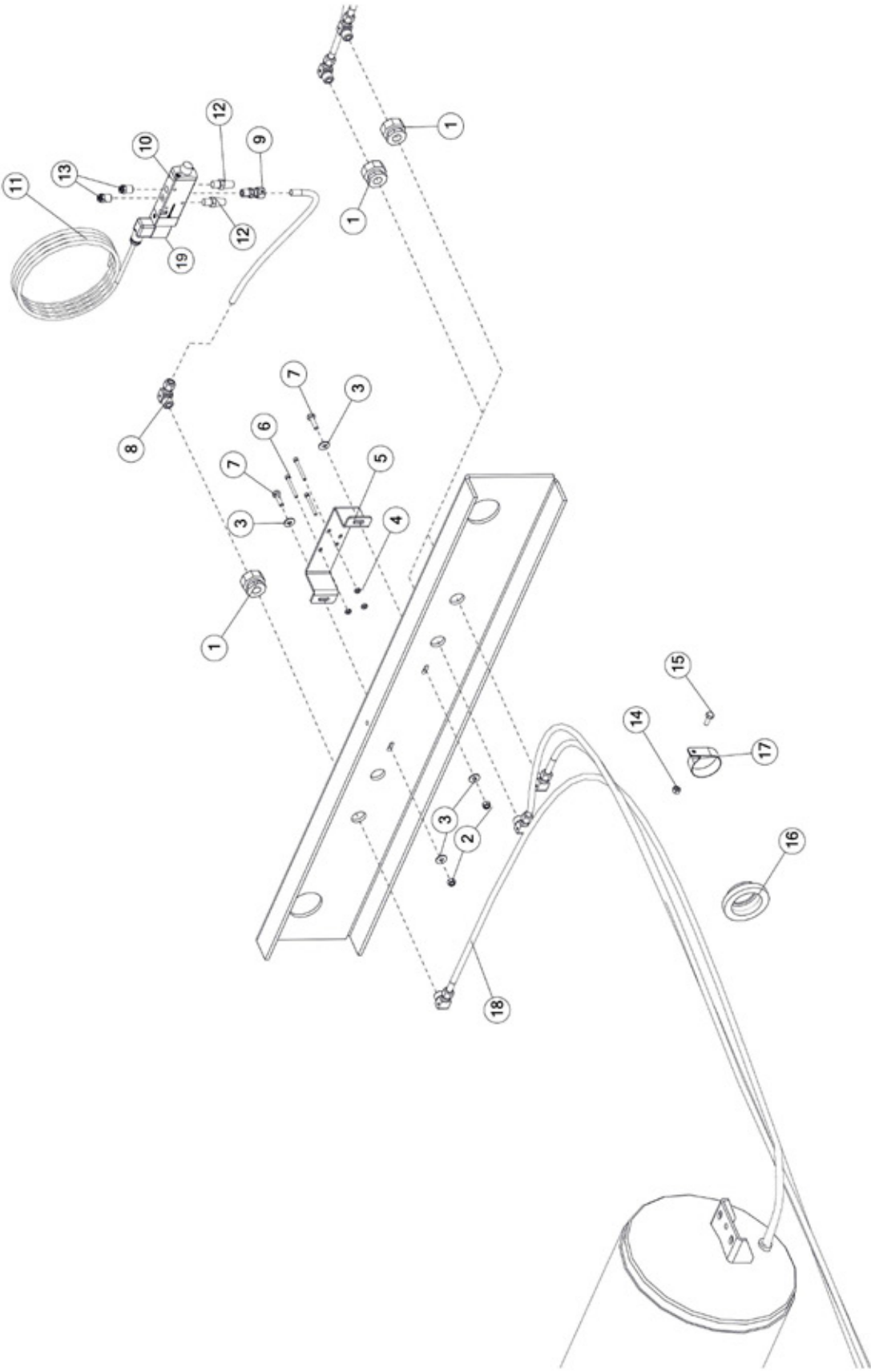


FIGURE 21

AIR VALVE & COMPONENTS

<u>ITEM</u>	<u>QTY</u>	<u>PART#</u>	<u>DESCRIPTION</u>
1	2	1114	FITTING BULKHEAD NIPPLE, 3/8 x 3/8
2	2	YNNY08005	NUT HEX, NYLON LOCKNUT, 1/4
3	4	YWFL08005	WASHER FLAT, 1/4
4	3	YNHX62005	SCREW MACHINE HEAD, #8-32
5	1	54510	AIR VALVE MOUNTING BRACKET
6	3	YSHS62005	SCREW SOCKET, HEAD CAP, #8-32 X 1-3/4 X 1
7	2	YBHH08010	BOLT HEX, 1/4 X 1 G5
8	1	55798	FITTING, MALE ELBOW
9	1	58651	FITTING, 1/4 X 3/8
10	1	0231-AS-05	GATE DELAY AIR VALVE (4 WAY) WITH FITTINGS
11	1	1093	DIN CORD
12	2	GD7	VENT PLUG, 1/4
13	3	GD6	MALE COUPLER, 1/4
14	1	YNTL08005	NUT HEX, TOP LOCK, 1/4
15	1	YBHH08100	BOLT HEX, 1/4 X 3/4 G5
16	1	BBS91	ROUND GROMMET LIGHT
17	1	57173	CUSHION CLAMP
18	1	79792	SUPPLY LINE
19	1	8031	4 WAY VALVE

FIGURE 22 **LANDING GEAR & COMPONENTS**

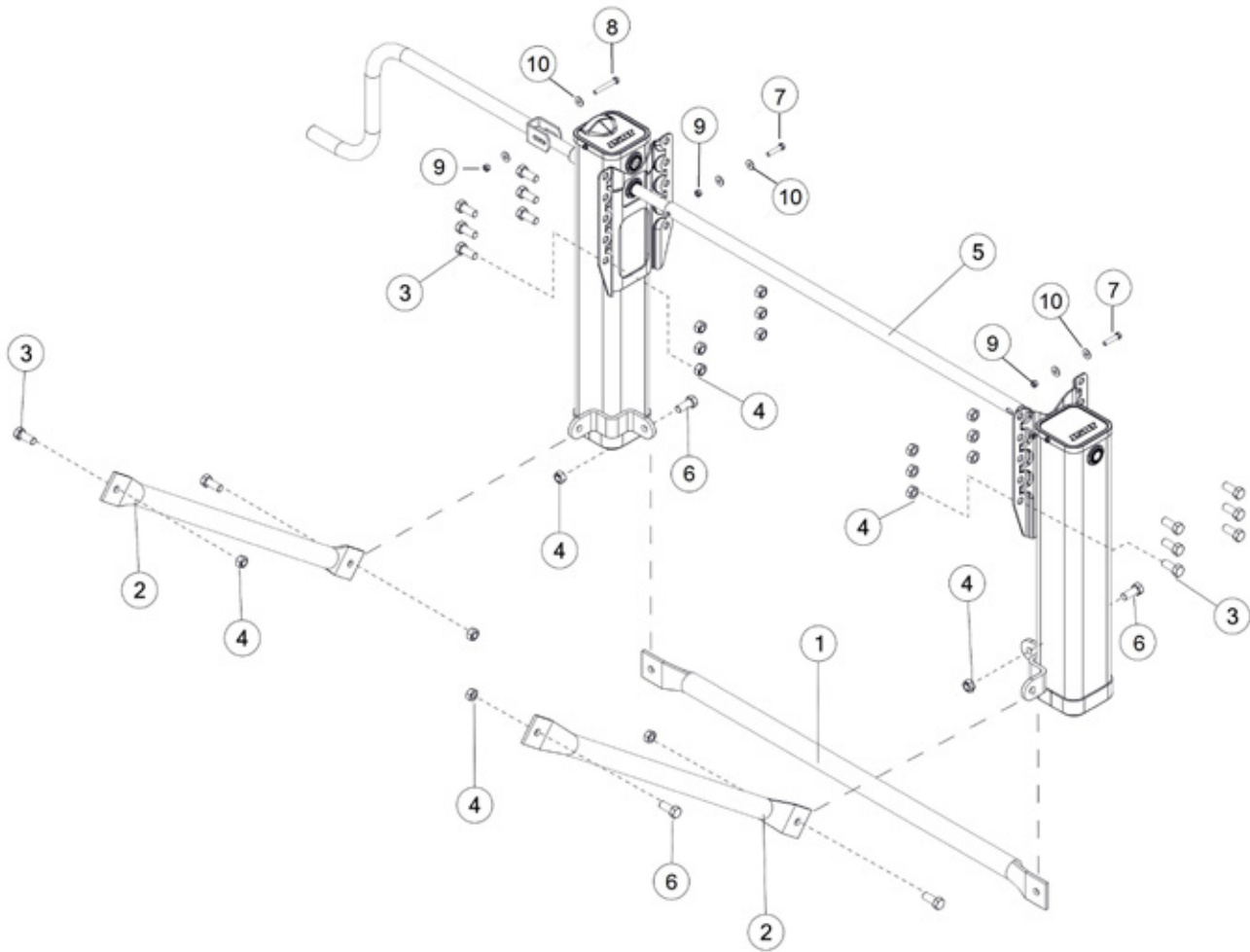


FIGURE 22
LANDING GEAR & COMPONENTS

<u>ITEM</u>	<u>QTY</u>	<u>PART#</u>	<u>DESCRIPTION</u>
1	1	1004	LANDING GEAR BRACE
2	2	1003	LANDING GEAR BRACE
3	12	YBFB20150	BOLT FLANGE, 5/8 X 1-1/2 G5
4	18	YNFG20005	NUT FLANGE, 5/8
5	1	1002	LANDING GEAR
6	6	YBFB20175	BOLT FLANGE, 5/8 X 1-3/4 G5
7	2	YBHH12060	BOLT HEX, 3/8 X 1-3/4 G5
8	1	YBHH12110	BOLT HEX, 3/8 X 2-3/4 G5
9	3	YNRL12005	NUT HEX, 3/8
10	6	YWFL12005	WASHER, FLAT, 3/8

FIGURE 23 CAMSHAFT & COMPONENTS

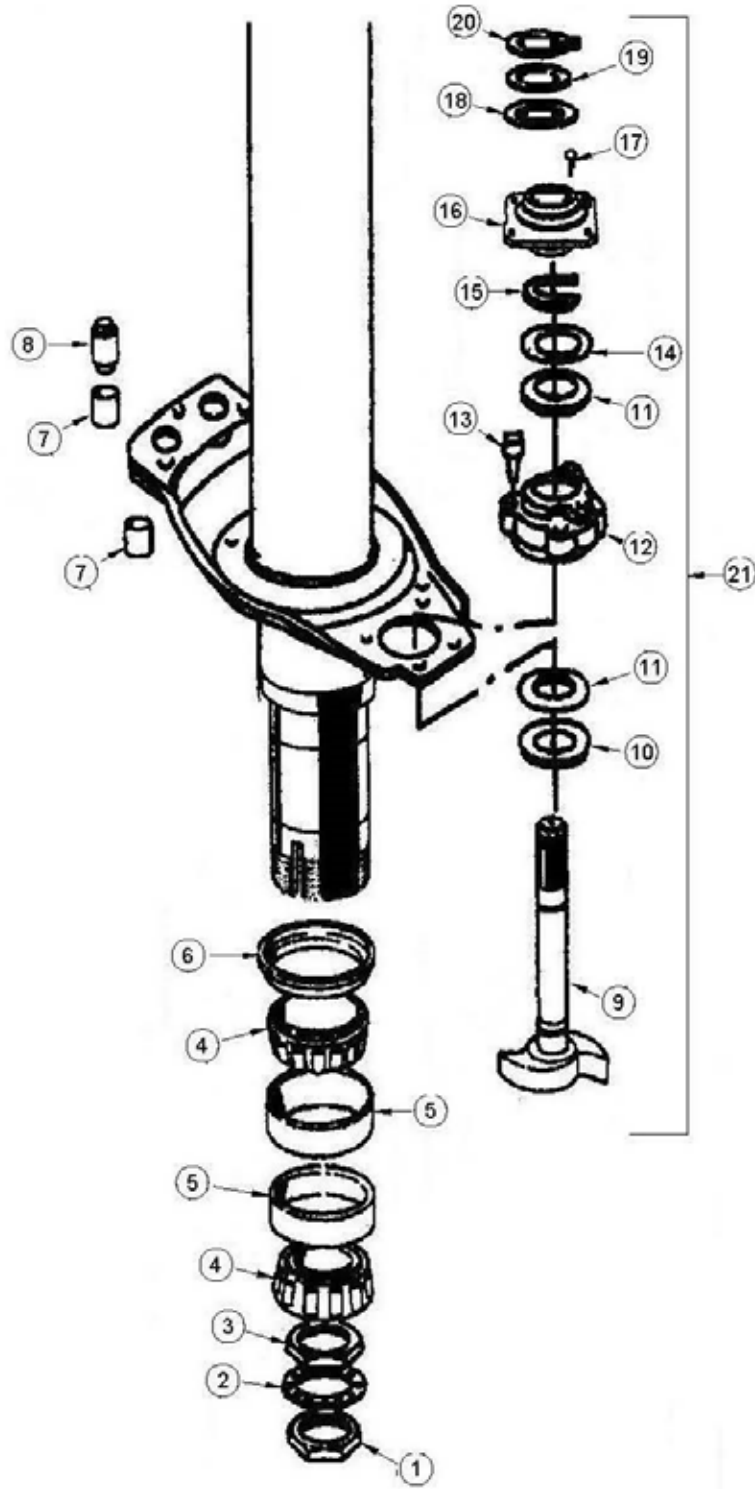


FIGURE 23

CAMSHAFT & COMPONENTS

<u>ITEM</u>	<u>QTY</u>	<u>PART#</u>	<u>DESCRIPTION</u>
1	1	8269	NUT
2	1	8270	WASHER
3	1	8271	NUT
4	2	8272	BEARING CONE
5	2	8273	BEARING RACE
6	1	8274	SEAL
7	2	8275	BUSHING
8	1	8276	ANCHOR PIN
9	1	8277	CAM LH
*	1	8291	CAM RH
10	1	8278	WASHER
11	2	8279	SEAL
12	1	8280	BUSHING
13	1	8281	CAPSCREW
14	1	8282	WASHER
15	1	8283	SNAP RING
16	1	8284	CAMSHAFT BUSHING
17	1	8285	CAPSCREW
18	1	8286	WASHER, SLACK ADJUSTER
19	1	8287	WASHER, SLACK ADJUSTER
20	1	8288	SNAP SPRING, SLACK ADJUSTER
21	--	8289	CAM KIT LH

***MEANS NOT SHOWN**

FIGURE 24 **TAIL LIGHT & COMPONENTS**

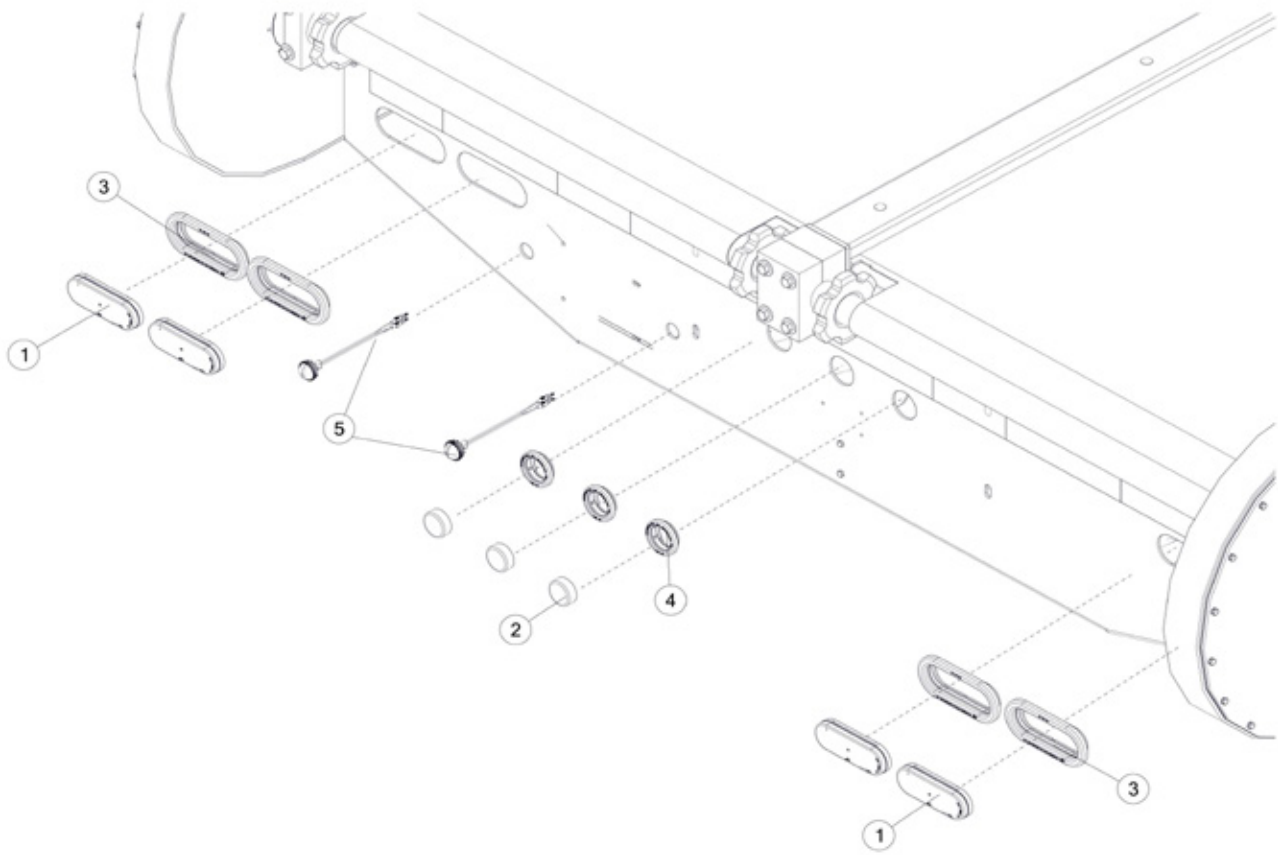


FIGURE 24
TAIL LIGHT & COMPONENTS

<u>ITEM</u>	<u>QTY</u>	<u>PART#</u>	<u>DESCRIPTION</u>
1	4	78671	OVAL RED LED LIGHT
2	3	BBS92	ROUND RED MARKER LIGHT
3	4	S308	OVAL GROMMET LIGHT
4	3	BBS91	ROUND GROMMET LIGHT
5	2	BBS98	LICENSE LIGHT
*	1	78656	BACK MAIN ELEC HARNESS

***MEANS NOT SHOWN**

FIGURE 25 **LIGHTS**

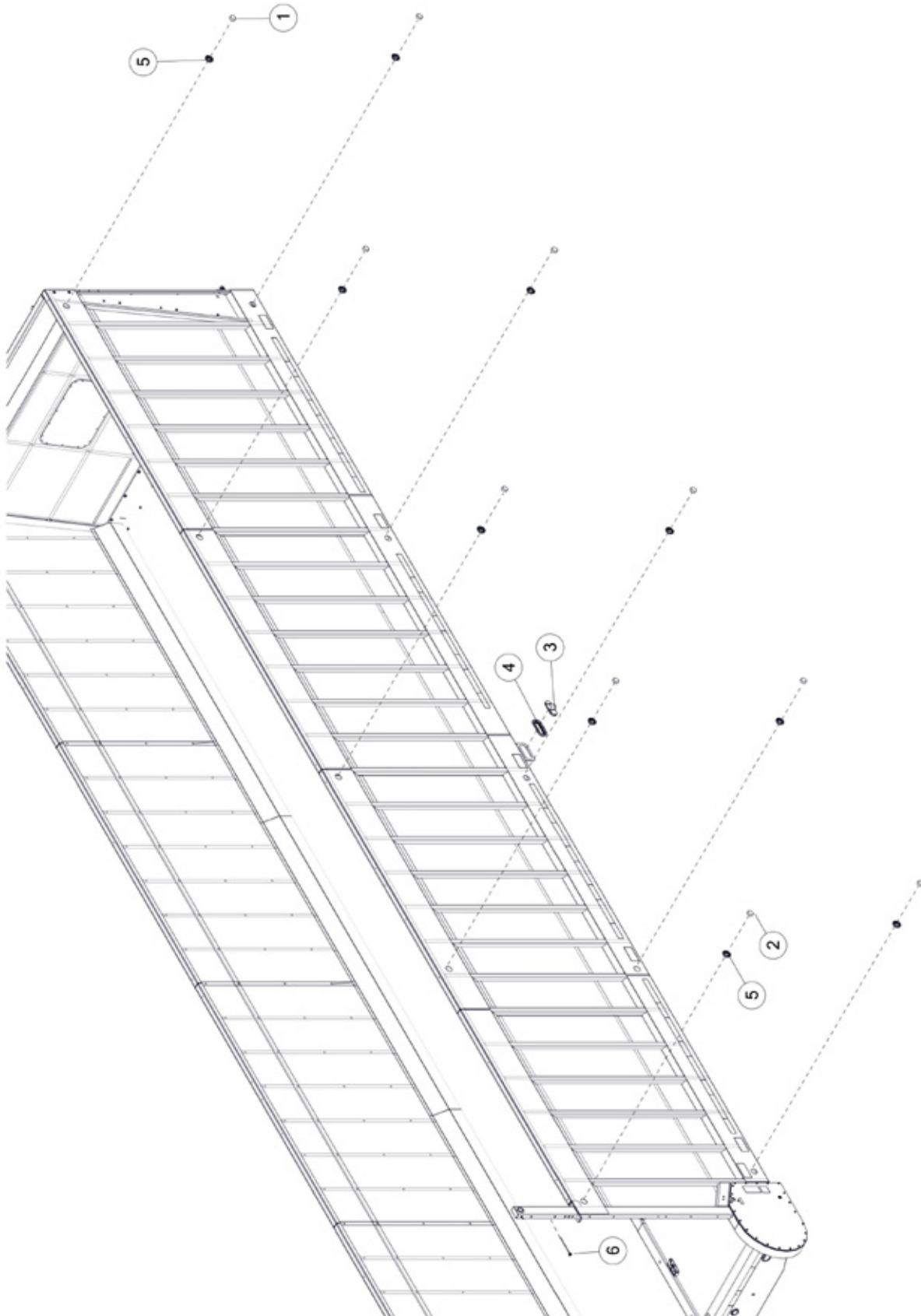


FIGURE 25 LIGHTS

<u>ITEM</u>	<u>QTY</u>	<u>PART#</u>	<u>DESCRIPTION</u>
1	16	BBS93	ROUND AMBER MARKER LIGHT
2	4	BBS92	ROUND RED MARKER LIGHT
3	2	78700	AMBER LED SIDE TURN LIGHT
4	2	S308	OVAL LIGHT GROMMET
5	20	BBS91	ROUND LIGHT GROMMET
6	2	8620	RED LED LIGHT

FIGURE 26 **SPRING SUSPENSION**

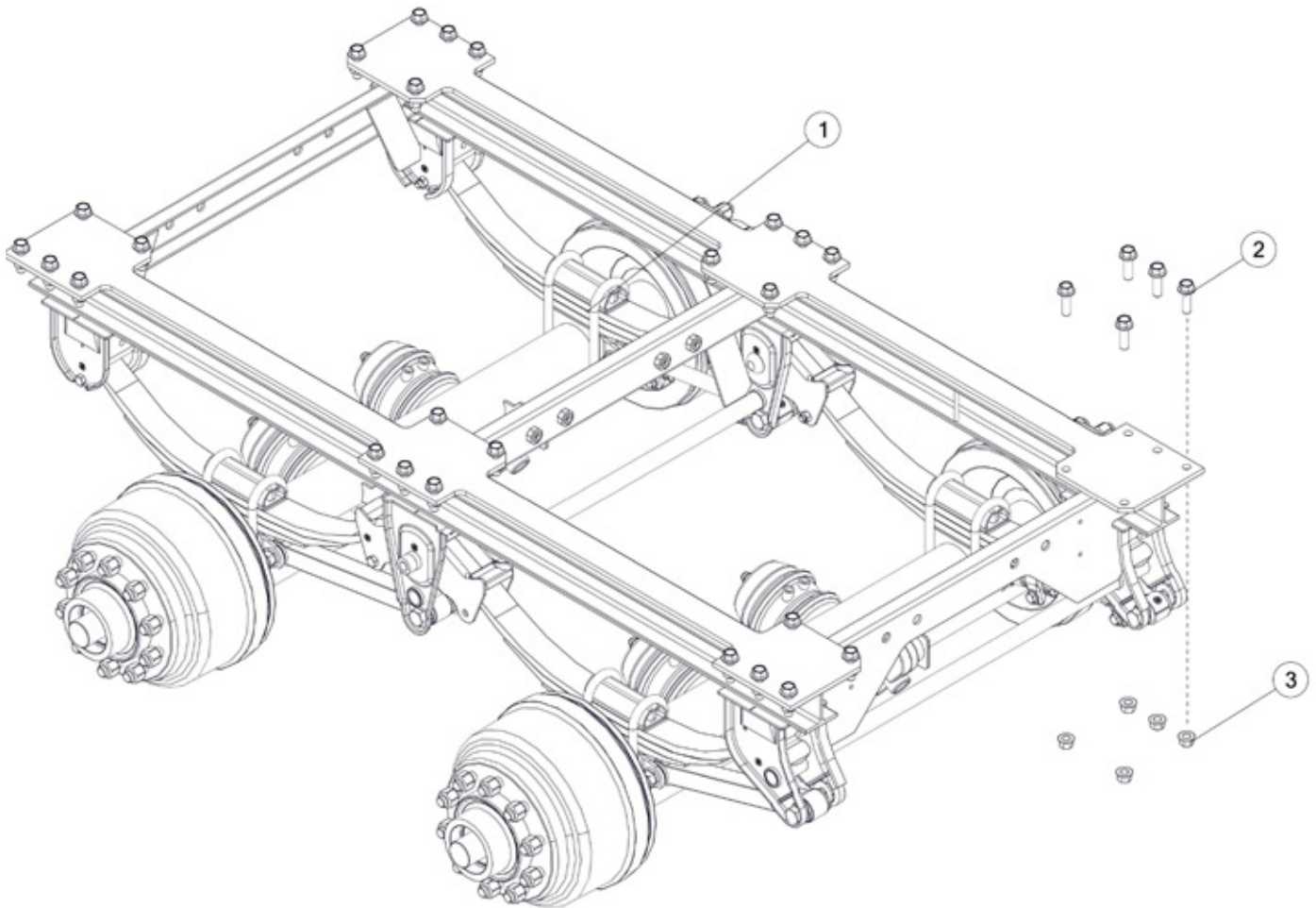


FIGURE 26
SPRING SUSPENSION

<u>ITEM</u>	<u>QTY</u>	<u>PART#</u>	<u>DESCRIPTION</u>
1	1	54280	SRING SUSPENSION
2	30	YBFB24005	BOLT FLANGE, 3/4 X 2-1/2 G8
3	30	YNFG24006	NUT FLANGE, 3/4

FIGURE 27
HUB & COMPONENTS

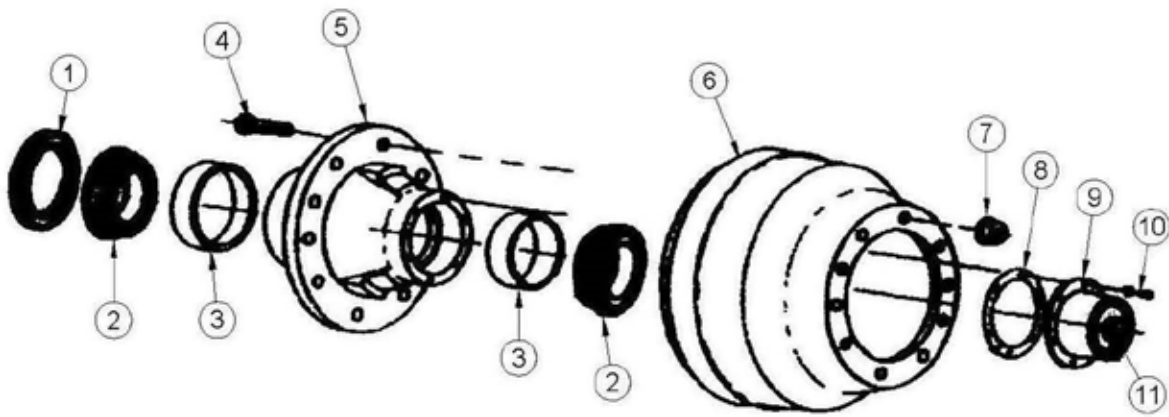


FIGURE 27
HUB & COMPONENTS

<u>ITEM</u>	<u>QTY</u>	<u>PART#</u>	<u>DESCRIPTION</u>
1	1	8300	SEAL
2	2	8301	CONE
3	2	8302	RACE
4	10	8303	STUD
5	1	8304	HUB
6	1	8305	BRAKE DRUM
7	10	8306	LUG NUT
8	1	8307	GASKET
9	1	8308	HUB CAP
10	6	8309	HUB CAP BOLT
11	1	8010	HUB CAP OIL DRAIN

FIGURE 28
BRAKES & COMPONENTS

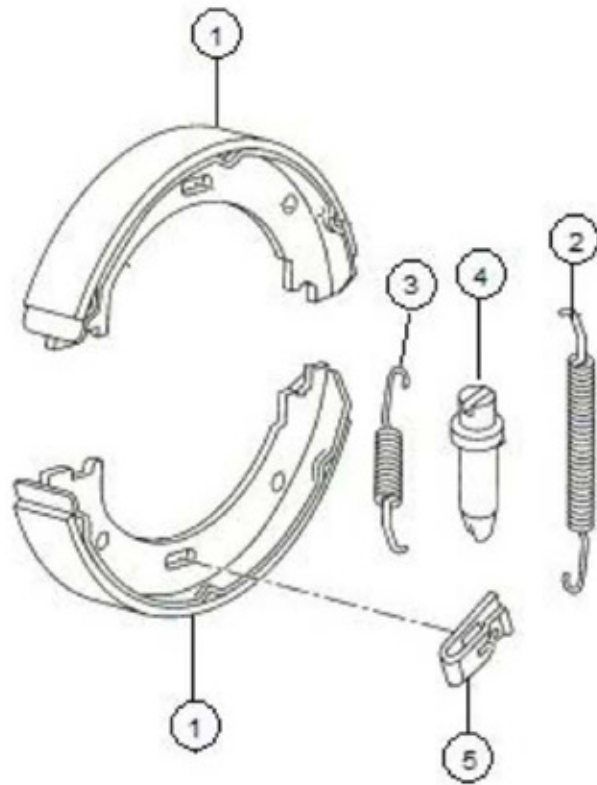


FIGURE 28
BRAKES & COMPONENTS

<u>ITEM</u>	<u>QTY</u>	<u>PART#</u>	<u>DESCRIPTION</u>
1	2	8292	BRAKE SHOE
2	1	8293	SPRING
3	1	8294	SPRING
4	1	8295	ADJUSTER
5	1	8296	CLIP
*	1	8297	RETAINER
*	1	8298	HARDWARE KIT W/BUSHINGS AND ANCHOR PINS

***MEANS NOT SHOWN**

FIGURE 29 TARP & COMPONENTS

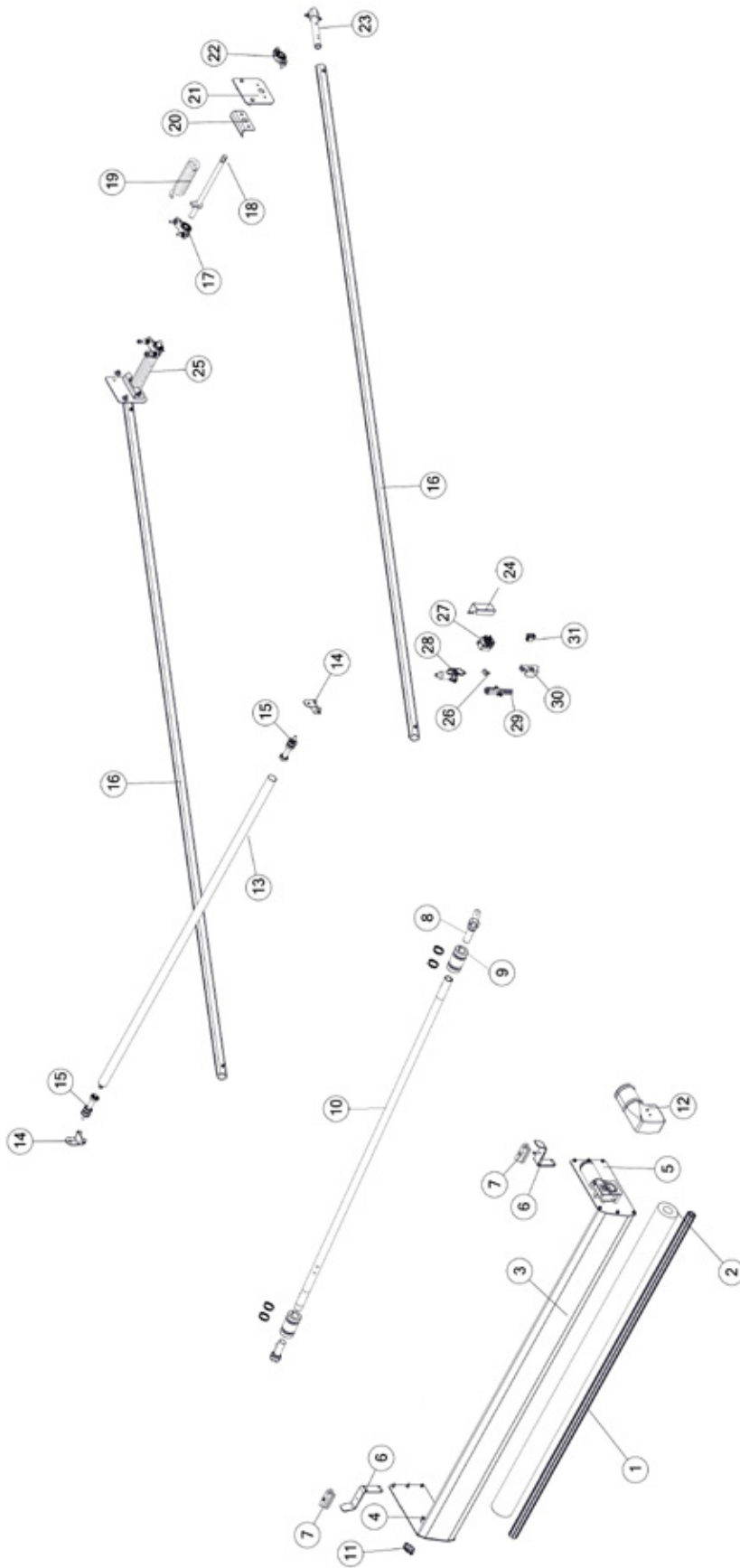


FIGURE 29

TARP & COMPONENTS

<u>ITEM</u>	<u>QTY</u>	<u>PART#</u>	<u>DESCRIPTION</u>
1	1	80056	THREADED TARP AXLE
2	1	80361	SHUR-MATIC ARM TARP, 40 X 94
3	1	80057	ALUMINUM WINDSHIELD
4	1	80055	TARP AXLE SIDE PLATE RH
5	1	80054	TARP AXLE SIDE PLATE LH
6	2	80065	ALUMINUM PIVOT ARM REST BRACKET
7	2	80066	RUBBER BUMPER
8	2	85839	TARP TUBE ELBOW
9	2	85841	RUBBER BUMPERS
10	1	85840	TARP CROSS OVER TUBE
11	1	80113	RADIAL BALL BEARING W/ FLANGES
12	1	80058	DURABUILT MOTOR W/ COVER, 3-1/8
13	1	80068	ROLLER GUIDE TUBE
14	2	80069	TARP ROLLER GUIDE BRACKET
15	2	80070	TARP ROLLER GUIDE BEARING
16	2	80052	ALUMINUM RETURN ARM
17	2	80046	PILLOW BLOCK BEARING, 1
18	2	80049	SPRING SHAFT
19	1	80050	TORSION SPRING
20	2	80044	SPRING RETAINER BRACKET
21	2	80042	DROP PLATE
22	2	80045	FLANGE BEARING 1 ID
23	2	80081	POLISHED HEX PIVOT CASTING, 7/8
24	1	80375	SOLENOID COVER
25	1	80043	TORSION SPRING
26	1	80378	50-AMP AUTO-RESET CIRCUIT BREAKER
27	1	80403	MOTOR REVERSING SOLENOID
28	1	80402	DUAL-CONDUCTOR SOCKET W/ BOOT
29	1	80390	HEAVY-DUTY DUAL-CONDUCTOR PLUG
30	1	80376	ROCKER SWITCH MOUNTING BRACKET
31	1	80377	ROCKER SWITCH

FIGURE 30
OPTIONAL ELECTRIC ACTUATOR CONTROL FLIP DOWN

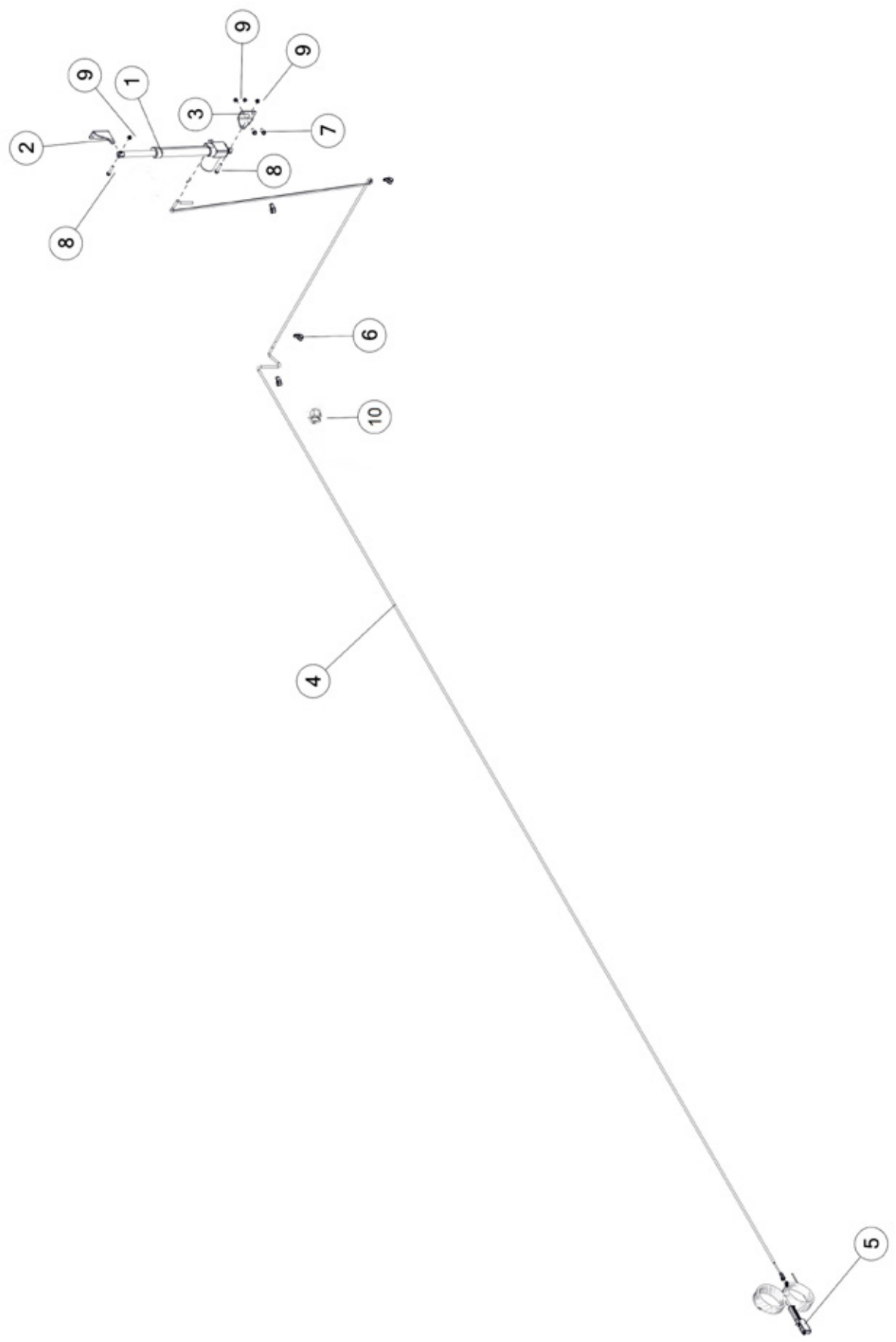


FIGURE 30
OPTIONAL ELECTRIC ACTUATOR CONTROL FLIP DOWN

<u>ITEM</u>	<u>QTY</u>	<u>PART#</u>	<u>DESCRIPTION</u>
1	1	82894	LINEAR ACTUATOR
2	1	80885	ACTUATOR MOUNT BRACKET
3	1	80888	ACTUATOR MOUNT BRACKET
4	1	82932	WIRE WITH DEUTSCH CONNECTIONS
5	1	89807	HAND CONTROLLER, (ON)-OFF-(ON)
6	4	87705	CUSHION WIRE CLAMP, 3/8
7	2	YBFB12003	BOLT FLANGE, 3/8 X 1 G5
8	2	YBFB12200	BOLT FLANGE, 3/8 X 2 G5
9	4	YNFG12006	NUT FLANGE, 3/8 GF
10	1	GD23	STRAIN RELIEF CONNECTOR

FIGURE 31
SHUR-CO OPTIONAL ELECTRIC DRIVE SIDE TO SIDE TARP

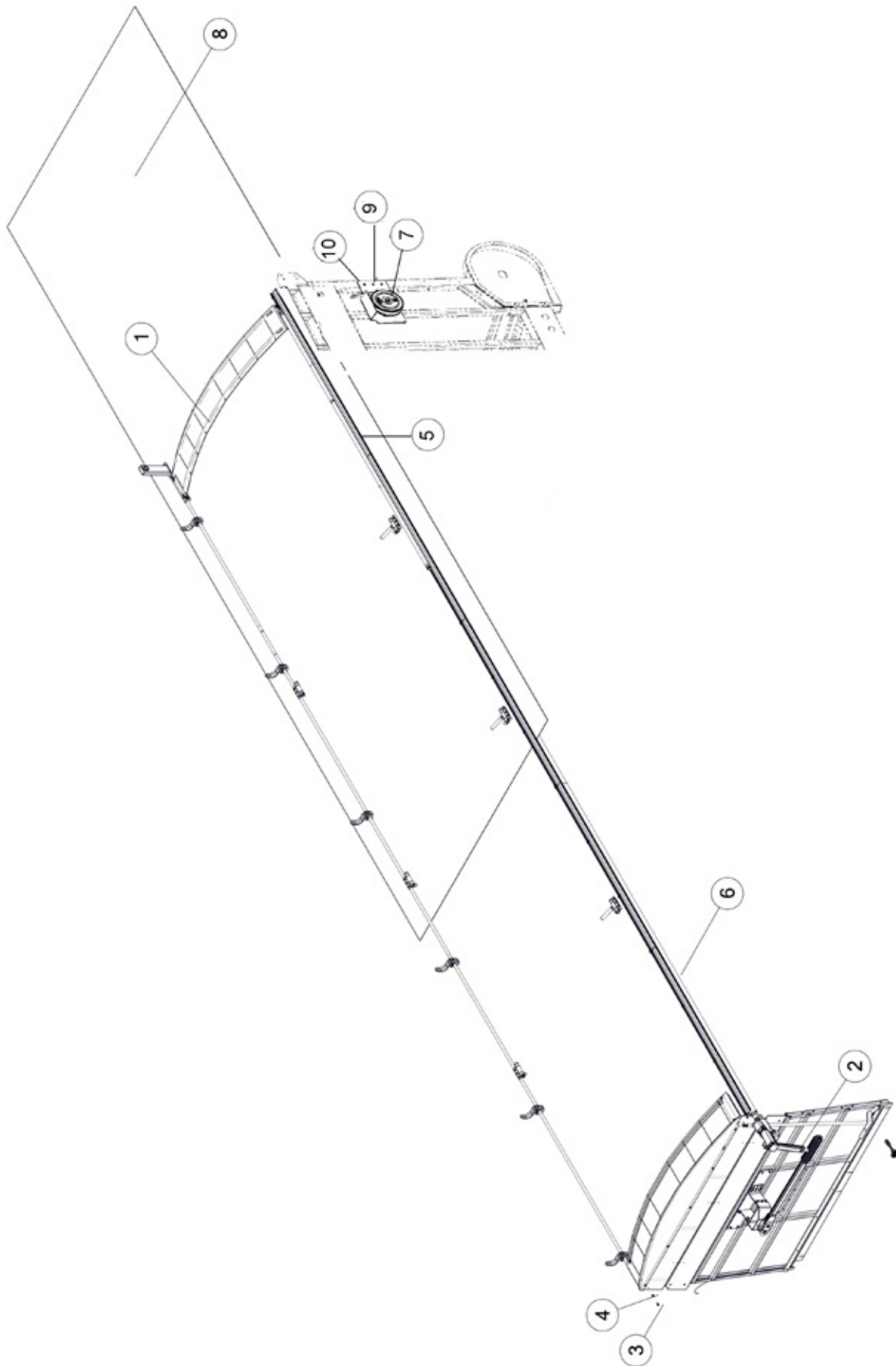


FIGURE 31

SHUR-CO OPTIONAL ELECTRIC DRIVE SIDE TO SIDE TARP

<u>ITEM</u>	<u>QTY</u>	<u>PART#</u>	<u>DESCRIPTION</u>
1	1	85740	MAIN KIT SIDE TO SIDE TARP
2	1	85770	ROCKER ARM KIT, 4500HD
3	2	YBFB12003	BOLT FLANGE, 3/8 X 1 G5
4	2	YNFG12006	NUT FLANGE, 3/8
5	1	85909	PIPE KIT, 10FT
6	2	85908	PIPE KIT, 16FT
7	1	92726	TARP RETURN (ROLL-RITE)
8	1	86026	TARP, 36FT
9	5	YSHW10005	HWH TCS "F", 5/16-18 X 1
10	1	89901	TARP SPRING BRACKET (ROLL-RITE)

FIGURE 31
SHUR-CO ELECTRIC DRIVE SIDE TO SIDE TARP OPTIONAL
MAIN KIT

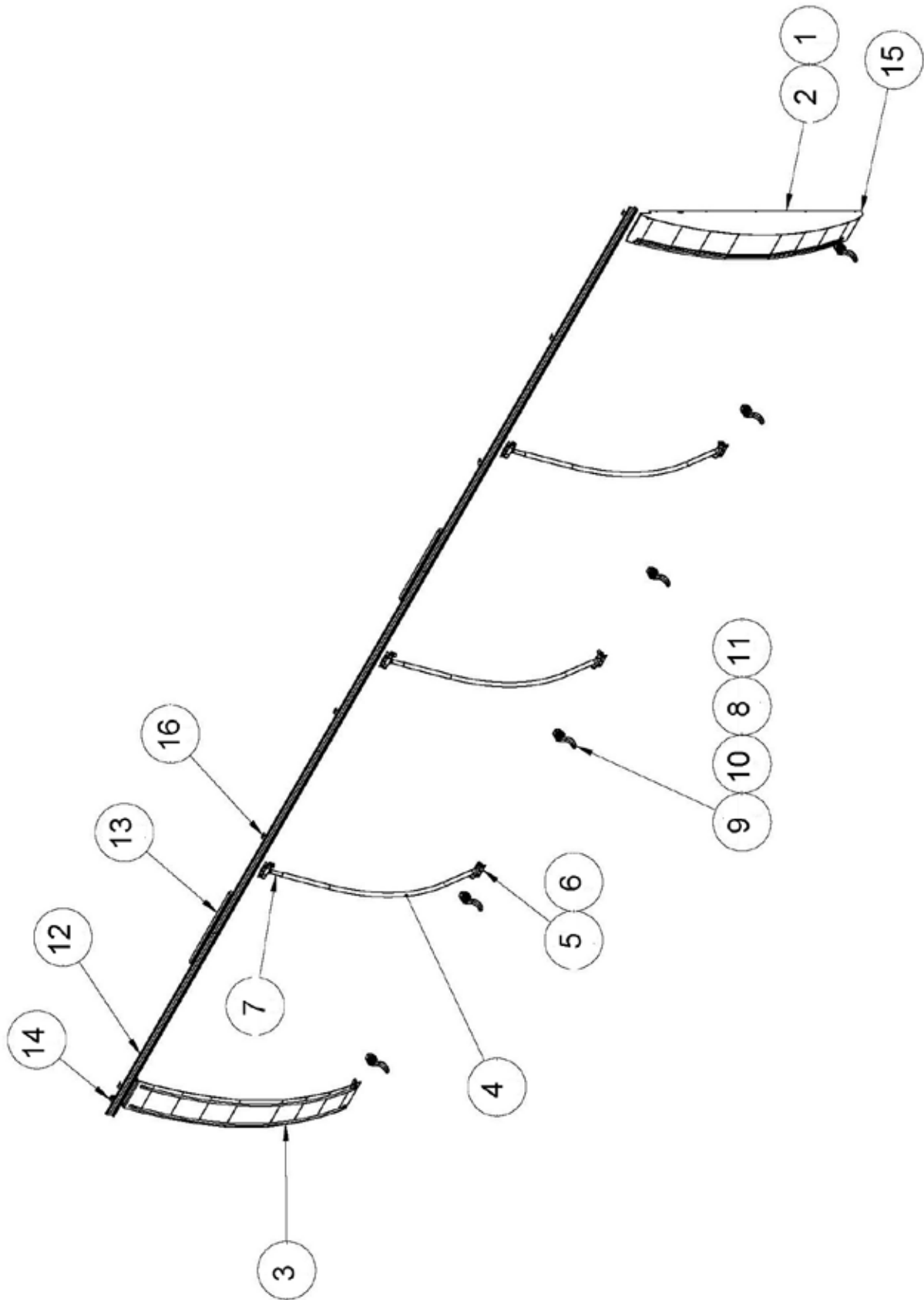


FIGURE 31
SHUR-CO ELECTRIC DRIVE SIDE TO SIDE TARP OPTIONAL
MAIN KIT

<u>ITEM</u>	<u>QTY</u>	<u>PART#</u>	<u>DESCRIPTION</u>
1	2	85737	FRONT CAP BRACKET
2	1	85738	FRONT CAP BRACKET
3	1	85739	REAR END CAP
4	3	85741	HIGH RISE BOW
5	6	85742	BOW BRACKET
6	6	85743	BOW PINS
7	3	85745	BOW SHANK
8	6	85948	TARP STOP BRACKET
9	6	85945	TARP STOP UPRIGHT
10	12	85946	CLEVIS PIN
11	12	85947	BOWTIE COTTER PIN
12	5	85748	SIDE MOUNT LATCH PLATE
13	2	85751	ROLL TARP TUBE SPLICE
14	1	85756	ROLL TUBE END CAP
15	2	86005	PLASTIC END PLUG
16	8	86006	PLASTIC U-CLAMP
*	1	85740	MAIN KIT

FIGURE 31
SHUR-CO ELECTRIC DRIVE SIDE TO SIDE TARP OPTIONAL
4500 HD ROCKER ARM KIT

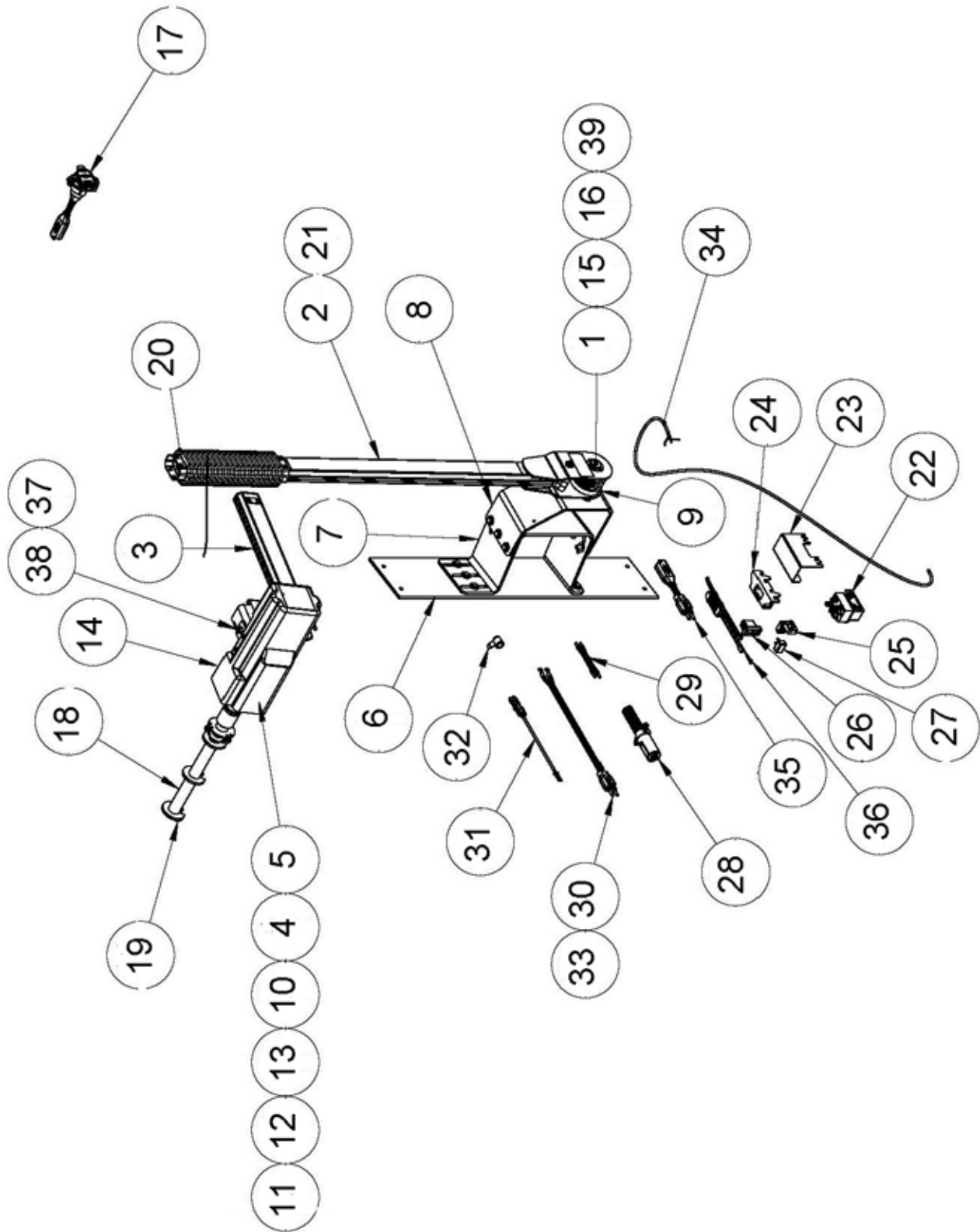


FIGURE 31
SHUR-CO ELECTRIC DRIVE SIDE TO SIDE TARP OPTIONAL
4500 HD ROCKER ARM KIT

<u>ITEM</u>	<u>QTY</u>	<u>PART#</u>	<u>DESCRIPTION</u>
1	1	85757	PIVOT PIN
2	1	85758	LOWER TARP PIVOT ARM
3	1	85763	UPPER ROLL TARP PIVOT ARM
4	2	85764	SPACER
5	1	85760	ELECTRIC TARP MOTOR
6	1	85769	PIVOT BACKER PLATE
7	1	85771	PIVOT BRACKET
8	1	85772	SLOPED PIVOT BRACKET
9	4	85773	TORSION SPRING
10	1	85949	MOTOR MOUNT BEARING RETAINER
11	4	85776	SPACER
12	1	85777	DRIVE SHAFT WASHER
13	4	85778	BEARING
14	1	85780	MOTOR COVER
15	2	85781	PIVOT SPACER
16	1	71564	SNAP RING
17	1	85786	POWER RECEPTACLE
18	1	85755	ROLL TUBE DRIVE SHAFT
19	1	85754	WEDGE CLAMP
20	1	85963	REPLACEMENT FLEX ARM JOINT
21	2	85951	CAP PLUG W/HOLE
22	1	80403	MOTOR REVERSING SOLENOID
23	1	80375	SOLENOID COVER
24	1	80376	ROCKER SWITCH MOUNTING BRACKET
25	1	85957	CIRCUIT BREAKER BOOT - RED
26	1	80377	ROCKER SWITCH
27	1	85959	MODIFIED RESET CIRCUIT BREAKER
28	1	80390	HEAVY DUTY DUAL CONDUCTOR PLUG
29	1	85958	DUAL CONDUCTOR WIRE
30	1	85956	SMARTWIRE, 6 GA, PLUG X 1/4 TERMINAL X 10'9
31	1	85955	SMARTWIRE, ENCODER WIRE
32	1	85954	RUBBER INSULATING BOOT
33	1	85961	HARNESS LOCK PIN, 1/4
34	1	86004	ELECTRICAL WIRE, 14 GA LEAD 15FT
35	1	86003	SMARTWIRE, 6GA, MALE X FEMALE, 4FT
36	1	86007	SMART CIRCUIT BREAKER KIT, 50 AMP
37	1	85762	TARP MOTOR BRACKET
38	2	86031	SHOULDER BOLT, 3/8 X 1/2
39	1	85782	PIVOT WASHER
*	1	85770	ROCKER ARM KIT, 4500HD

FIGURE 31
SHUR-CO ELECTRIC DRIVE SIDE TO SIDE TARP OPTIONAL
PIPE KITS

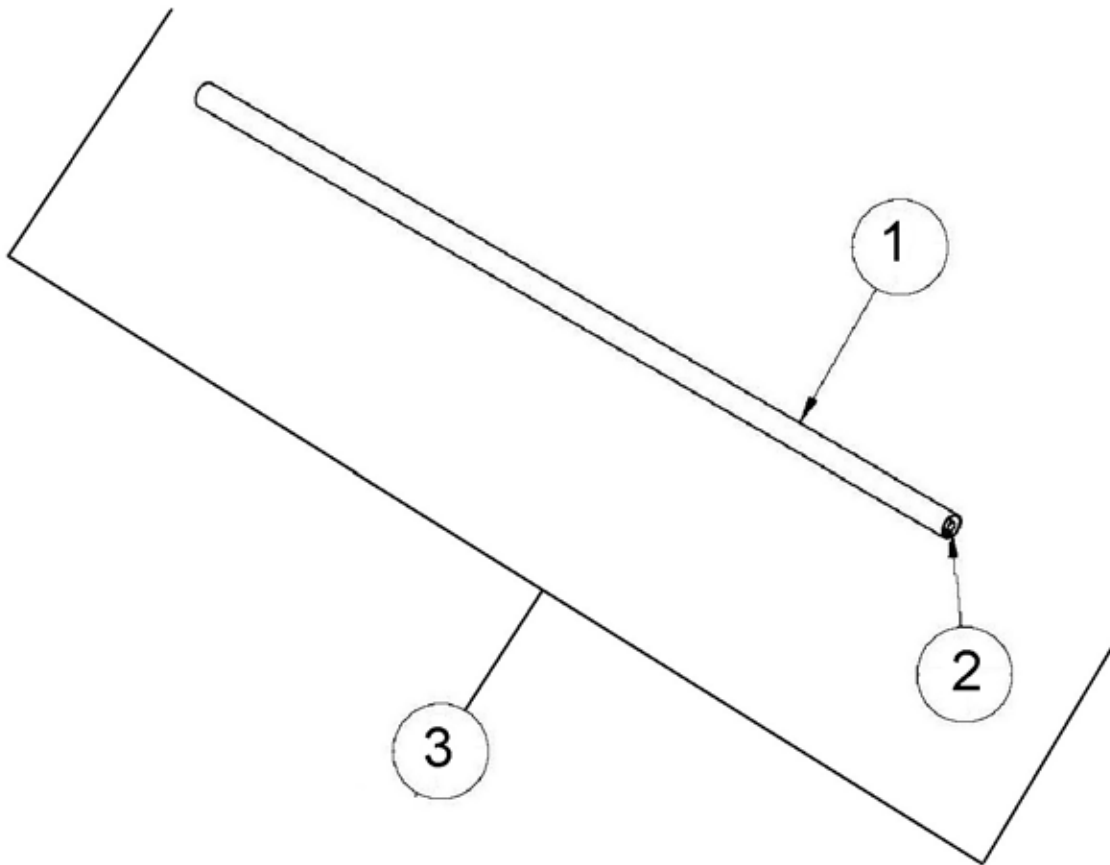


FIGURE 31
SHUR-CO ELECTRIC DRIVE SIDE TO SIDE TARP OPTIONAL
PIPE KITS

<u>ITEM</u>	<u>QTY</u>	<u>PART#</u>	<u>DESCRIPTION</u>
1	1	85750	ROLL TARP TUBING, 10FT PIPE KIT
1	1	85749	ROLL TARP TUBING, 16FT PIPE KIT
2	1	85753	TUBING, 10FT PIPE KIT
2	1	85752	TUBING, 16FT PIPE KIT
3	1	85909	PIPE KIT, 10FT
3	1	85908	PIPE KIT, 16FT

FIGURE 32
FLOW CONTROL

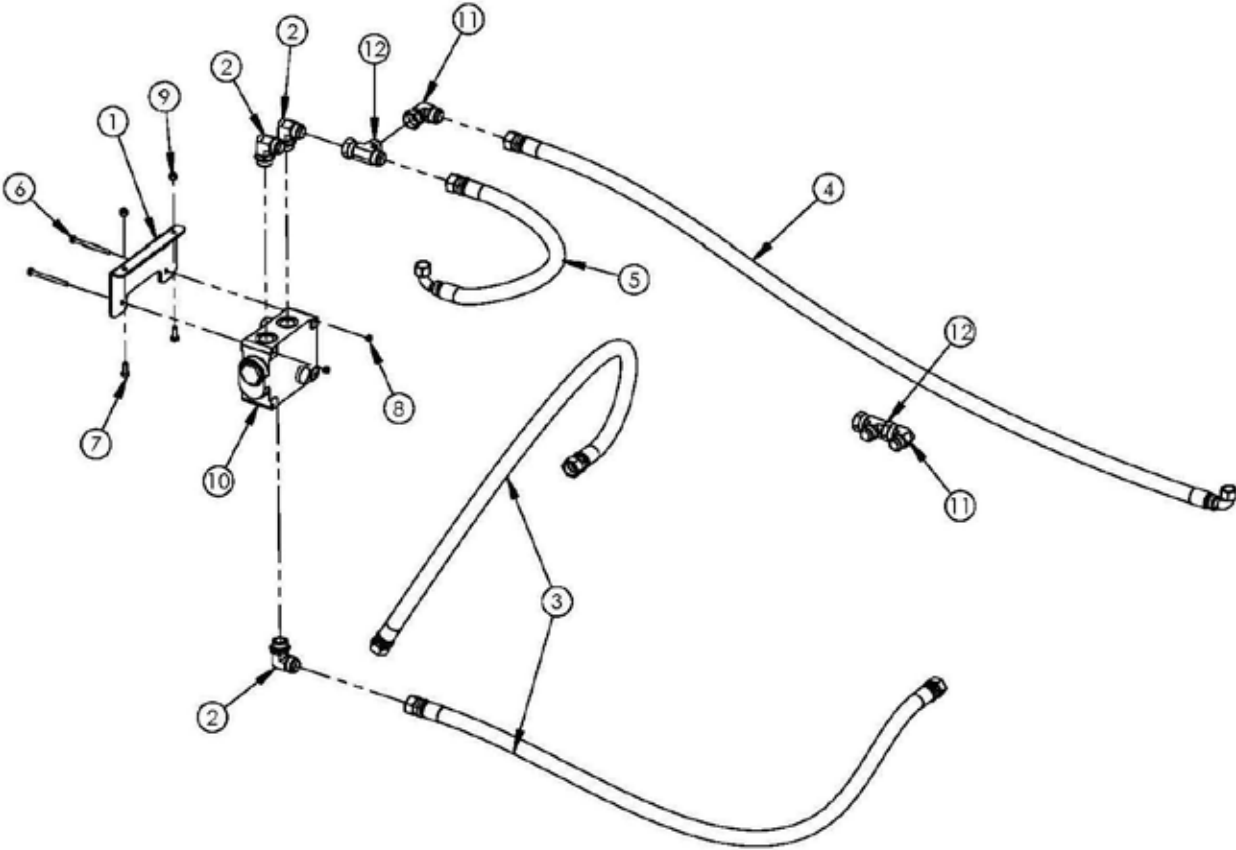


FIGURE 32

FLOW CONTROL

<u>ITEM</u>	<u>QTY</u>	<u>PART#</u>	<u>DESCRIPTION</u>
1	1	02266G02	FLOW CONTROL MOUNT
2	3	BBS52	STRAIGHT THREAD ELBOW
3	2	BBSTMS24	PSI TO FLOW
4	1	BBSTMS25	HOSE, FLOW TO MOTOR, LONG
5	1	BBSTMS26	HOSE, FLOW TO MOTOR, SHORT
6	2	YBHH10112	BOLT HEX, 5/16 X 3-3/4 G5
7	2	YBHH12010	BOLT HEX, 3/8 X 1 G5
8	2	YNHX10005	NUT HEX, 5/16
9	2	YNNY12005	NUT HEX, NYLON LOCKNUT, 3/8
10	1	BBS51	FLOW CONTROL
11	2	8021	SWIVEL NUT ELBOW
12	2	CHM182	SWIVEL NUT RUN TEE

FIGURE 33 GRAIN KIT

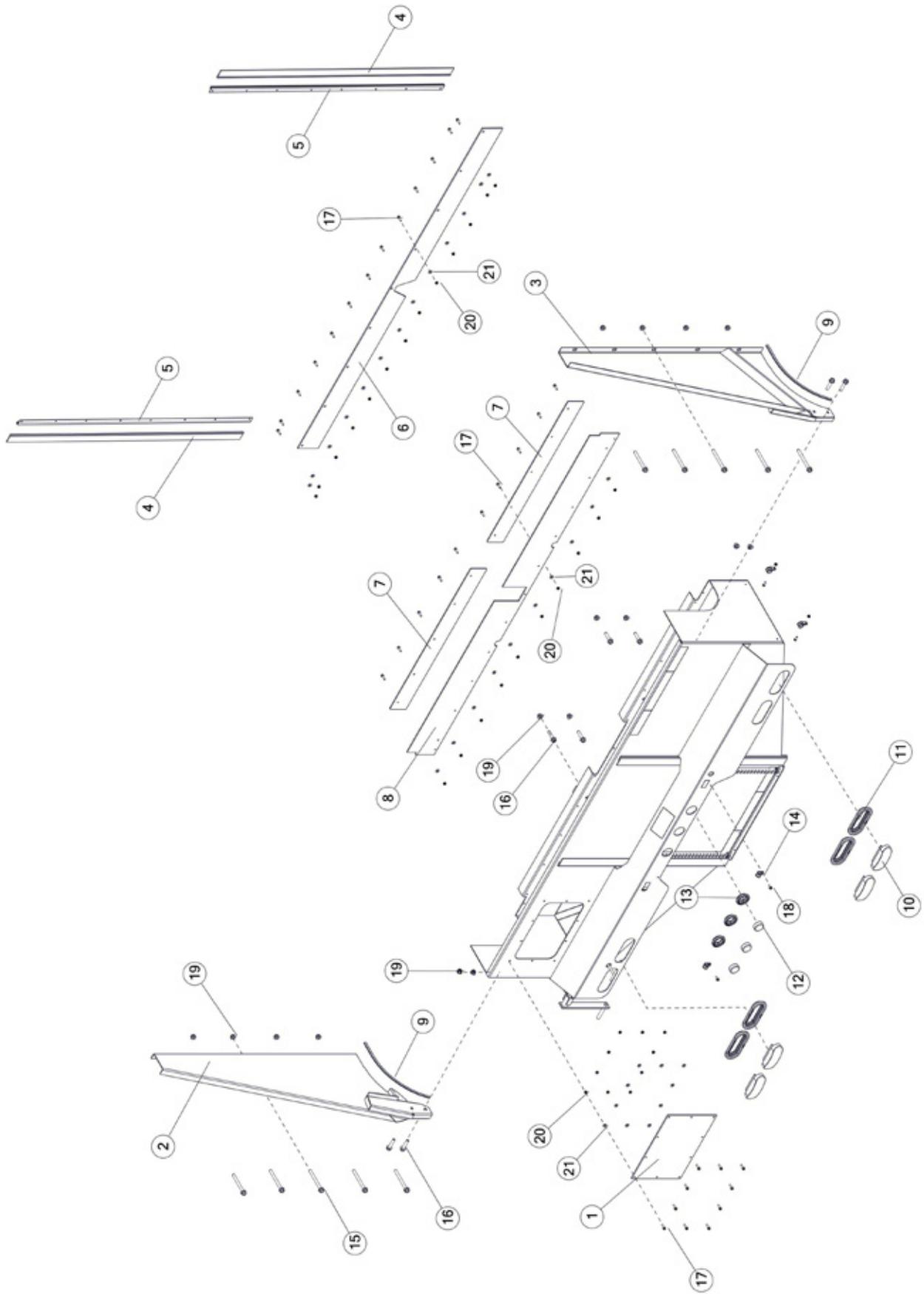


FIGURE 33 **GRAIN KIT**

<u>ITEM</u>	<u>QTY</u>	<u>PART#</u>	<u>DESCRIPTION</u>
1	1	GH7	HOPPER WINDOW
2	1	82470	SIDE EXTENSION LH
3	1	82472	SIDE EXTENSION RH
4	2	0226MS04	BRUSH, LONG 2
5	2	0226MS01	BRUSH HOLDER, 1-1/4
6	1	BBS68	DOOR RUBBER
7	2	92159	HOPPER SEAL
8	1	0226RU02	HOPPER SEAL, UPPER
9	2	0226MS06	TRIMLOK 1/8 EDGE TRIM
10	4	S310	TAILLIGHT, OVAL RED STOP/TURN
11	4	S308	OVAL LIGHT GROMMET
12	3	BBS92	RED MARKER LIGHT, ROUND
13	3	BBS91	GROMMET LIGHT, ROUND
14	2	HGV162	RUBBER WIRE HOLDER, 1/2
15	10	YBFB16550	BOLT FLANGE, 1/2 X 5-1/2 G5
16	8	YBFB16225	BOLT FLANGE, 1/2 X 2-1/4 G5
17	33	YBFB08100	BOLT FLANGE, 1/4 X 1 G5
18	2	YBFB08075	BOLT FLANGE, 1/4 X 3/4 G5
19	18	YNFG16003	NUT FLANGE, 1/2 GF
20	33	YNFG08010	NUT FLANGE , 1/4 GF
21	33	YWFL08005	WASHER FLAT, 1/4

FIGURE 33
GRAIN KIT

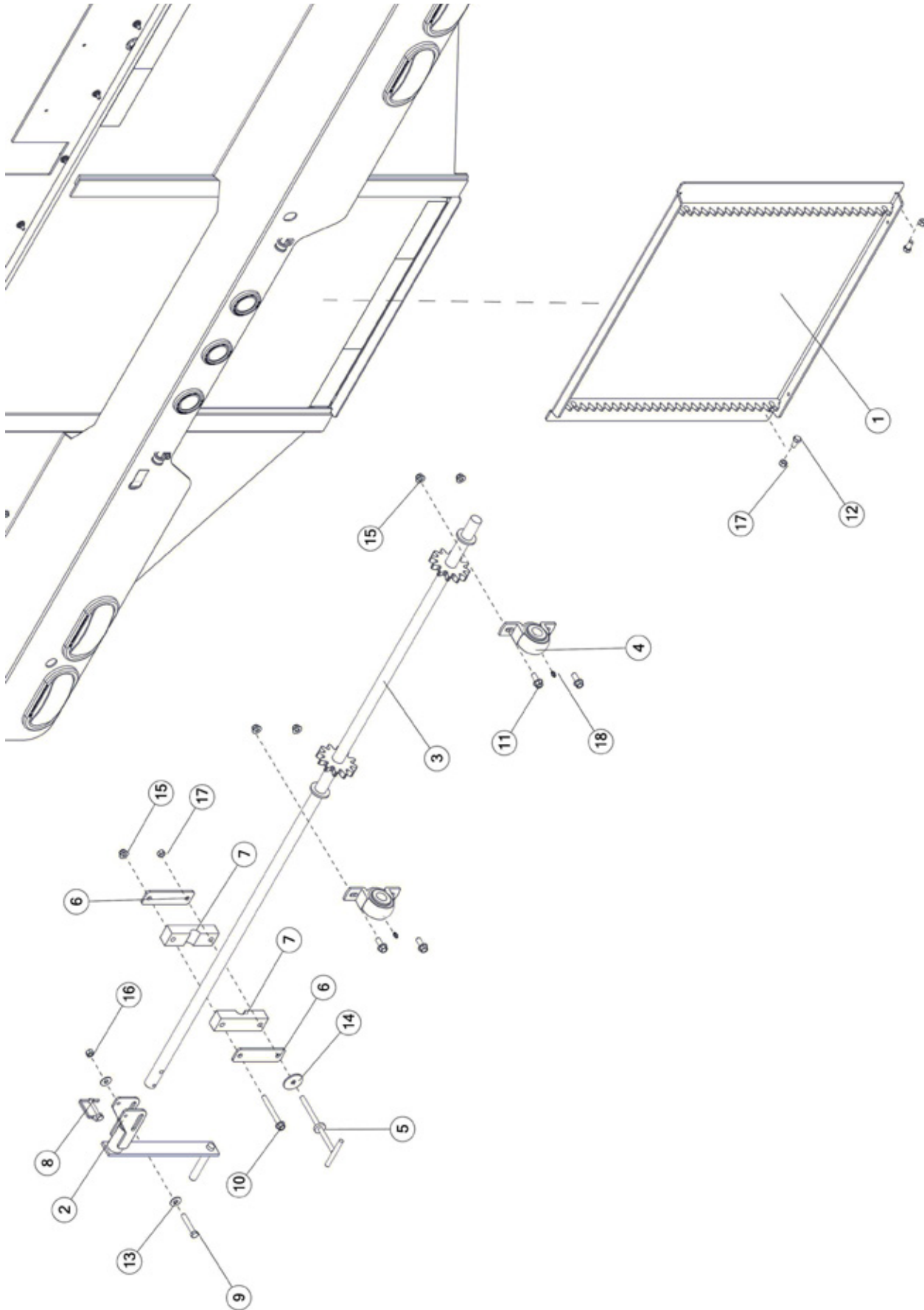


FIGURE 33 **GRAIN KIT**

<u>ITEM</u>	<u>QTY</u>	<u>PART#</u>	<u>DESCRIPTION</u>
1	1	GH4	HOPPER DOOR, BACK
2	1	GH8	FOLDING CRANK
3	1	0226WE04	REAR DOOR DRIVE
4	2	80N22	BEARING, 1-1/4
5	1	GH11	DRAG INTENSITY HANDLE
6	2	GH10	DRAG BLOCK CLAMP
7	2	GH9	DRAG BLOCK
8	1	DWM324	SAFETY SNAP PIN
9	1	YBHH12100	BOLT HEX, 3/8 X 2-1/4 G5
10	1	YBFB12350	BOLT FLANGE, 3/8 X 3-1/2 G5
11	4	YBFB12003	BOLT FLANGE, 3/8 X 1 G5 ZC
12	2	YBHH12130	BOLT HEX, 3/8 X 3/4 G2
13	1	YWFL12005	WASHER FLAT , 3/8 G5
14	1	GH13	POLY WASHER
15	5	YNFG12006	NUT FLANGE, 3/8 GF
16	1	YNL12005	NUT HEX, TOP LOCK, 3/8
17	3	YNHX12005	NUT HEX, 3/8 G2
18	2	G89	STRAIGHT ZERK 1/4-28 X 90

FIGURE 34 SCREEN FILLER KIT

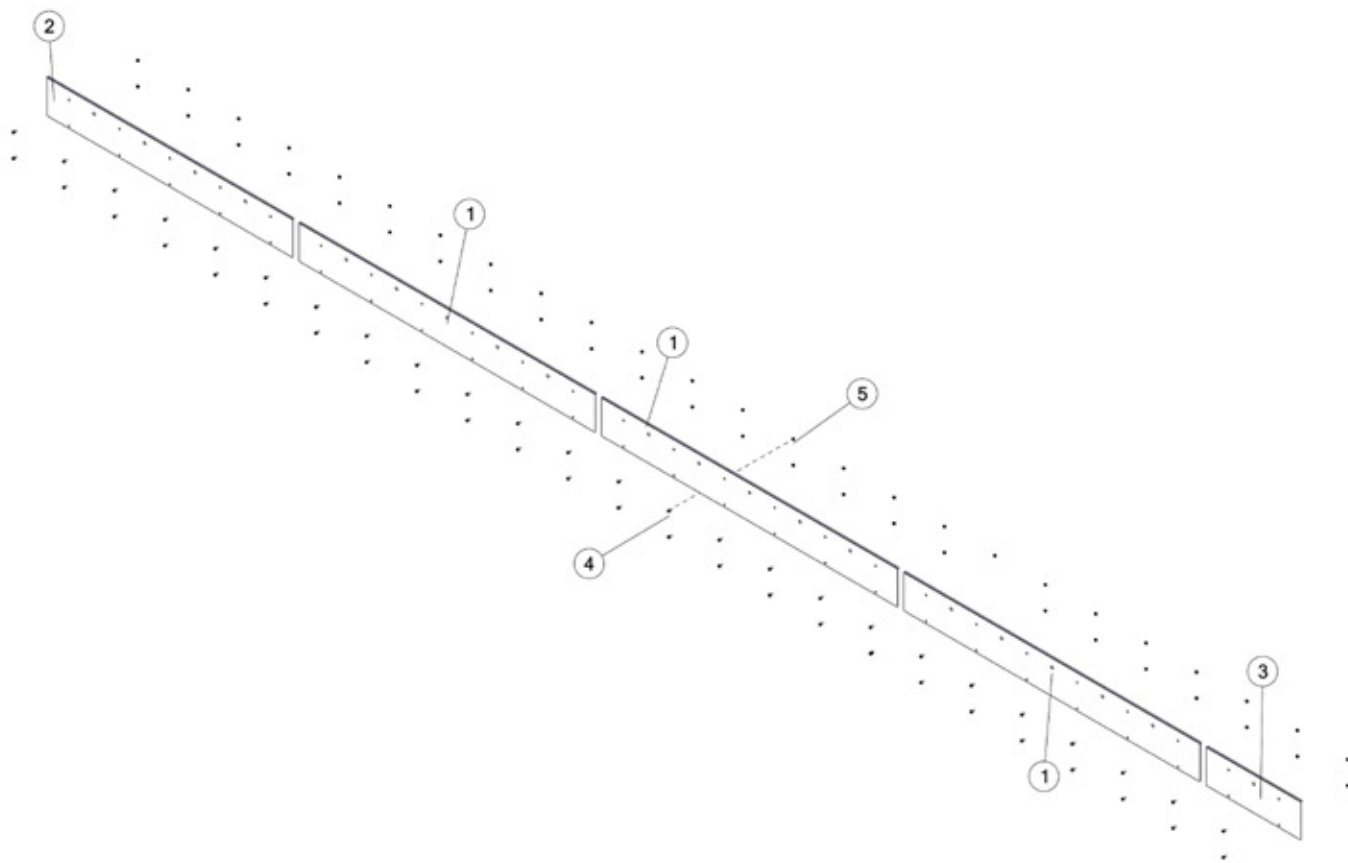


FIGURE 34
SCREEN FILLER KIT

<u>ITEM</u>	<u>QTY</u>	<u>PART#</u>	<u>DESCRIPTION</u>
1	3	82464	SCREEN COVER
2	1	82466	SCREEN COVER, BACK
3	1	82467	SCREEN COVER, FRONT
4	56	YBFB10075	BOLT FLANGE, 5/16 X 3/4 G5
5	56	YNFG10005	NUT FLANGE, 5/16

FIGURE 35
OPTIONAL ROOF HOOD

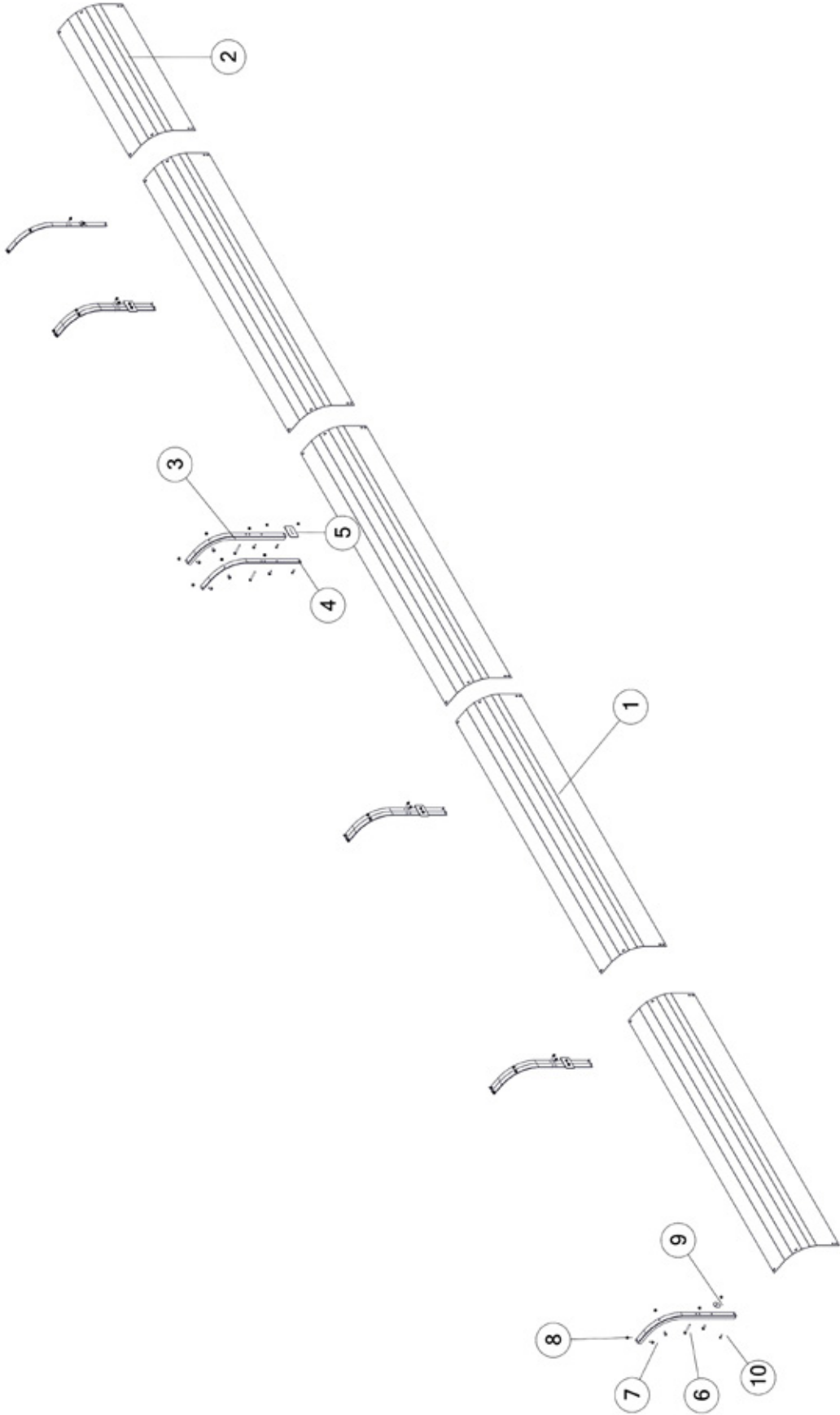


FIGURE 35
OPTION ROOF HOOD

<u>ITEM</u>	<u>QTY</u>	<u>PART#</u>	<u>DESCRIPTION</u>
1	4	86789	ROOF EDGE RADIUS
2	1	86834	ROOF EDGE RADIUS
3	5	86756	ROOF RADIUS SUPPORT LH
4	5	86755	ROOF RADIUS SUPPORT RH
5	4	82969	ROOF HOOD SCREEN WASHER
6	11	YBFB10300	BOLT FLANGE, 5/16 X 3 G5
7	32	YBFB10001	BOLT FLANGE, 5/16 X 1 G5
8	43	YNFG10005	NUT FLANGE, 5/16
9	2	YWCU12005	WASHER, CUSTOM, FLAT
10	10	YSDR08005	SCREW SELF DRILLING, HEX HEAD WASHER, 1/4-14 X 1

CHANGE NOTES

H&S MFG. CO.

products approved

for the

FEMA

SEAL OF QUALITY



Manufactured by:

H&S MANUFACTURING CO., INC.

2608 S. HUME AVE. MARSHFIELD, WI 54449

(715) 387-3414 | hsmfgco.com

