



TD1140
TOP DOG
FORAGE BOX
PARTS BOOK

Part #95931
HSMFG071922 Rev. #00

Starting Ser. #TD1140.5 4ULJB4222PS005001

STRONG HERITAGE - STRONG PEOPLE - STRONGER FUTURE



| FIGURE # | CONTENTS | PAGE # |
|-----------------|--|---------------|
| * | INSTRUCTIONS FOR ORDERING PARTS | 1 |
| 1 | RH SIDE PANELS | 2-3 |
| 2 | RH SIDE EXTENSION PANELS | 4-5 |
| 3 | LH SIDE PANELS | 6-7 |
| 4 | LH SIDE EXTENSION PANELS | 8-9 |
| 5 | FRONT PANEL W/WINDOW | 10-11 |
| 6 | FRONT PANEL AND COMPONENTS | 12-13 |
| 7 | FLOOR HOLD DOWNS AND COMPONENTS | 14-15 |
| 8 | IDLER SHAFT AND COMPONENTS | 16-17 |
| 9 | DRIVE SHAFT AND COMPONENTS | 18-19 |
| 10 | FLOOR CHAIN | 20-21 |
| 11 | DRIVE SPROCKET LH | 22-23 |
| 12 | DRIVE SPROCKET RH | 24-25 |
| 13 | FRONT SHIELDS AND COMPONENTS | 26-27 |
| 14 | GLADHANDS AND COMPONENTS | 28-29 |
| 15 | AIR LINES AND COMPONENTS | 30-31 |
| 16 | HYDRAULICS | 32-33 |
| 17 | LANDING GEAR AND COMPONENTS | 34-35 |
| 18 | BUMPER AND COMPONENTS | 36-37 |
| 19 | AIR TANK AND COMPONENTS | 38-39 |
| 20 | SPRING SUSPENSION | 40-41 |
| 21 | AXLE SPRINGS AND COMPONENTS | 42-43 |
| 22 | CAMSHAFT AND COMPONENTS | 44-45 |
| 23 | BRAKES AND COMPONENTS | 46-47 |
| 24 | HUB AND COMPONENTS | 48-49 |
| 25 | ELECTRIC HARNESS AND LIGHTS | 50-51 |
| 26 | TOP PIVOT REAR DOOR W/HYD GATE DELAY | 52-53 |
| 27 | OPTIONAL FBOTPDSK SEAL KIT FOR TOP PIVOT DOOR | 54-55 |
| 28 | OPTIONAL TDO40RH ROOF HOOD | 56-57 |
| 29 | OPTIONAL TDOAIR54 | 58-63 |
| | AIR RIDE SUSPENSION IN LIEU OF SPRING SUSPENSION | |
| 30 | OPTIONAL TDOESST40 ELEC DRIVE SIDE-TO-SIDE TARP | 64-65 |
| 31 | OPTIONAL TDOEAC | 66-67 |
| | ELEC ACTUATOR CONTROL FLIP DOWN FRONT | |
| 32 | OPTIONAL TIRES TWP425AW / TWP425SW | 68-69 |
| 33 | OPTIONAL TIRES TWP455AW / TWP455SW | 70-71 |
| 34 | OPTIONAL TIRES TWP825AW / TWP825SW | 72-73 |
| 35 | OPTIONAL TIRES TWP825AW/SW | 74-75 |
| * | PARTS NOTES | 76 |



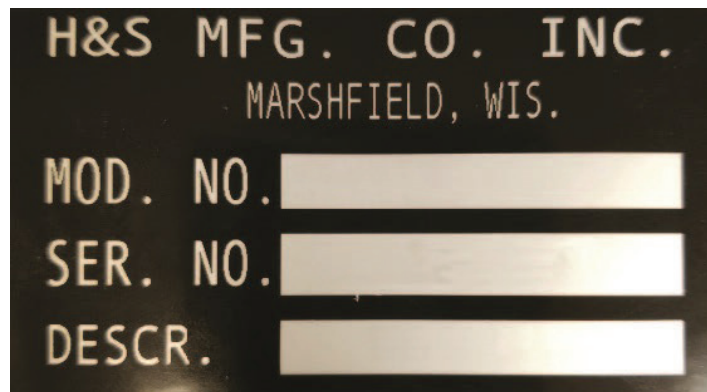
INSTRUCTIONS FOR ORDERING PARTS

All service parts should be ordered through your authorized H&S dealer. Your Dealership will be able to give you faster service if you will provide them with the following:

1. All references to left or right apply to the machine as viewed from the rear.
2. Parts should not be ordered from illustration only. Please order complete part number.
3. If your dealer has to order parts, give shipping instructions:

VIA truck - large pieces (please specify local truck lines)

VIA United Parcel Service (include full address)



MODEL & SERIAL # CAN BE LOCATED ON THE LEFT FRAME STRINGER BY THE JACK HANDLE

PLEASE RECORD NUMBERS FOR YOUR UNIT FOR QUICK REFERENCE

H&S IS CONTINUALLY STRIVING TO IMPROVE ITS PRODUCTS

We must, therefore, reserve the right to make improvements or changes whenever it becomes practical to do so, without incurring any obligation to make changes or additions to the equipment previously sold.



FIGURE 1
RH SIDE PANELS

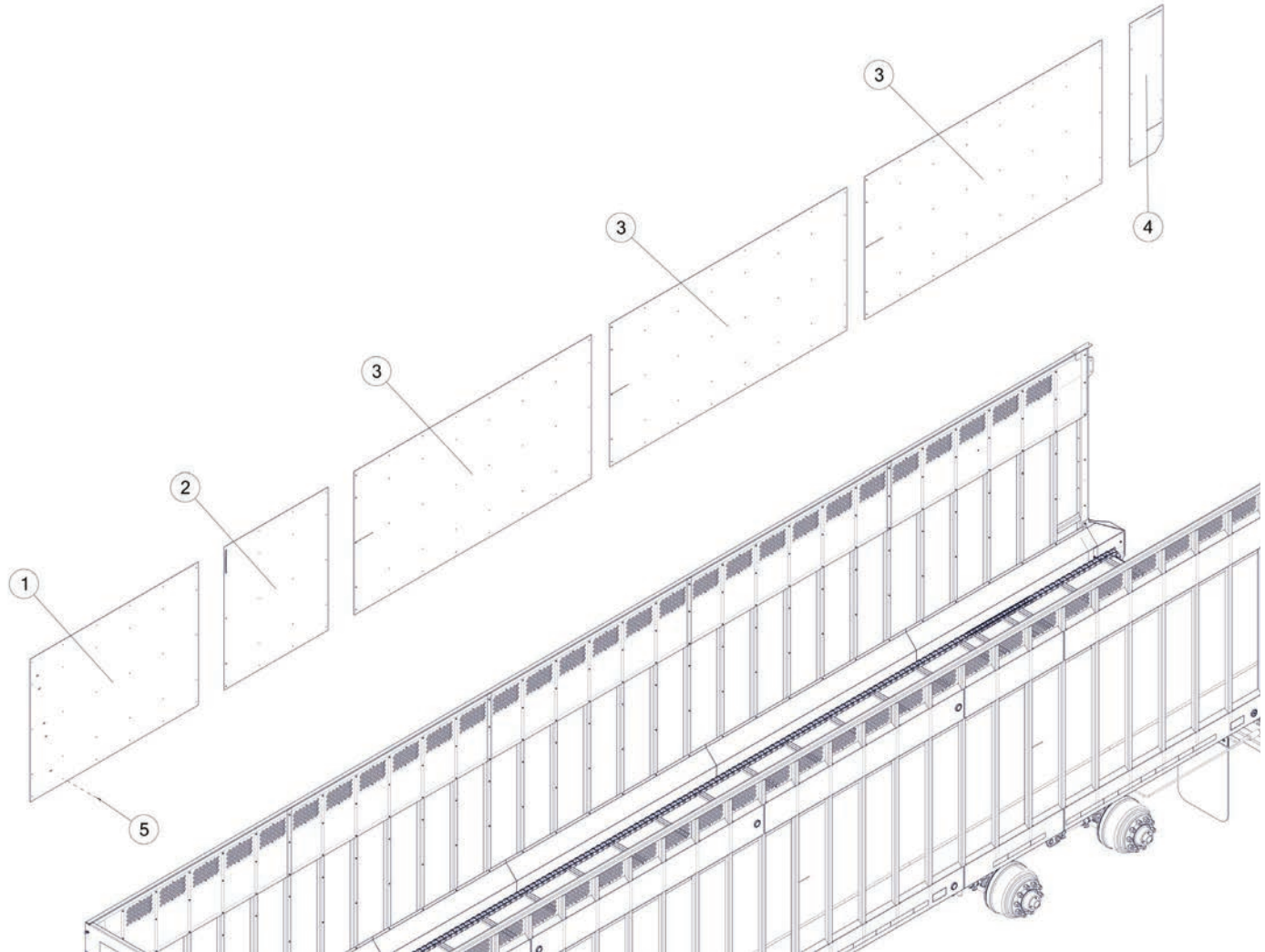




FIGURE 2
RH SIDE EXTENSION PANELS

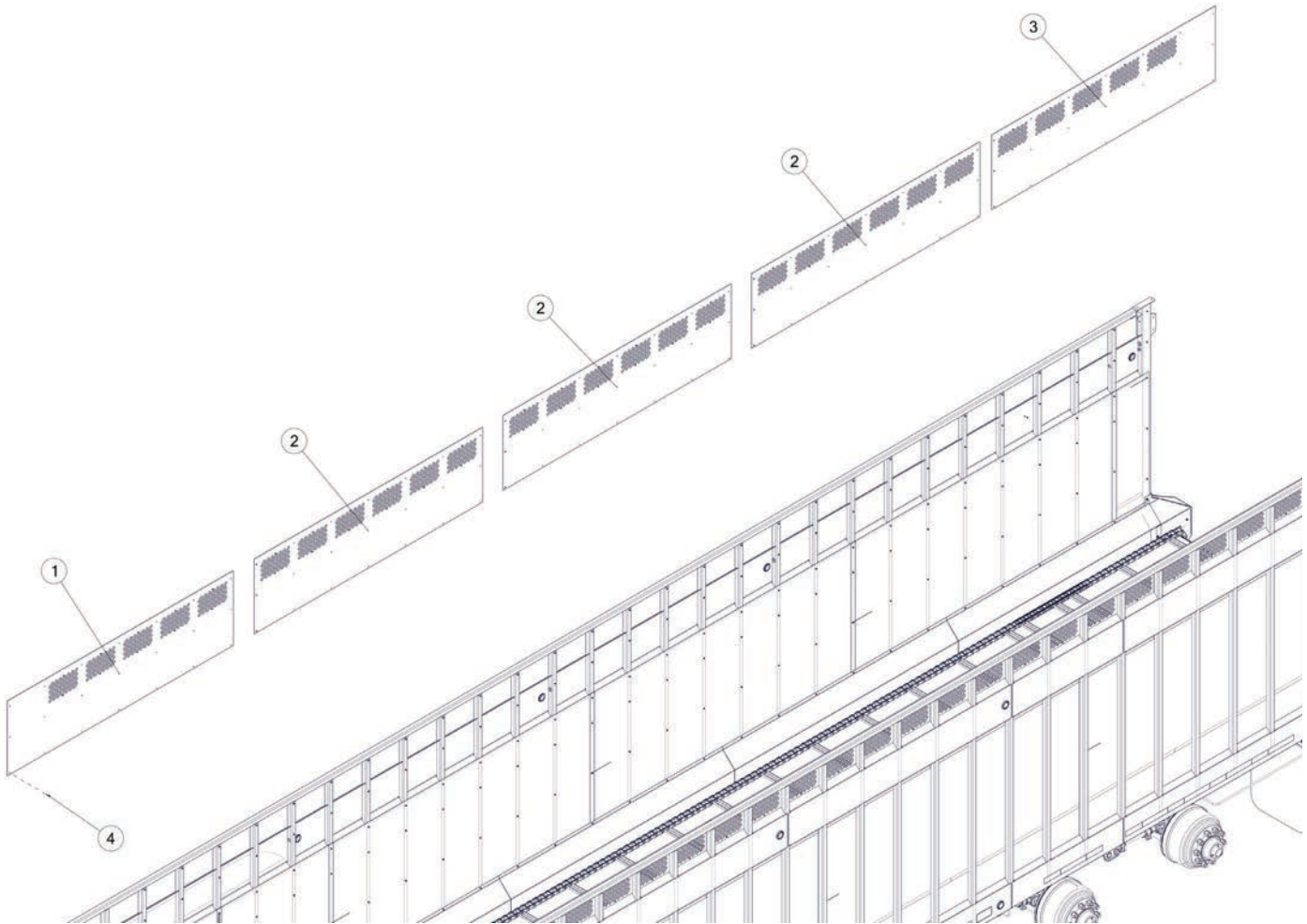




FIGURE 3
LH SIDE PANELS

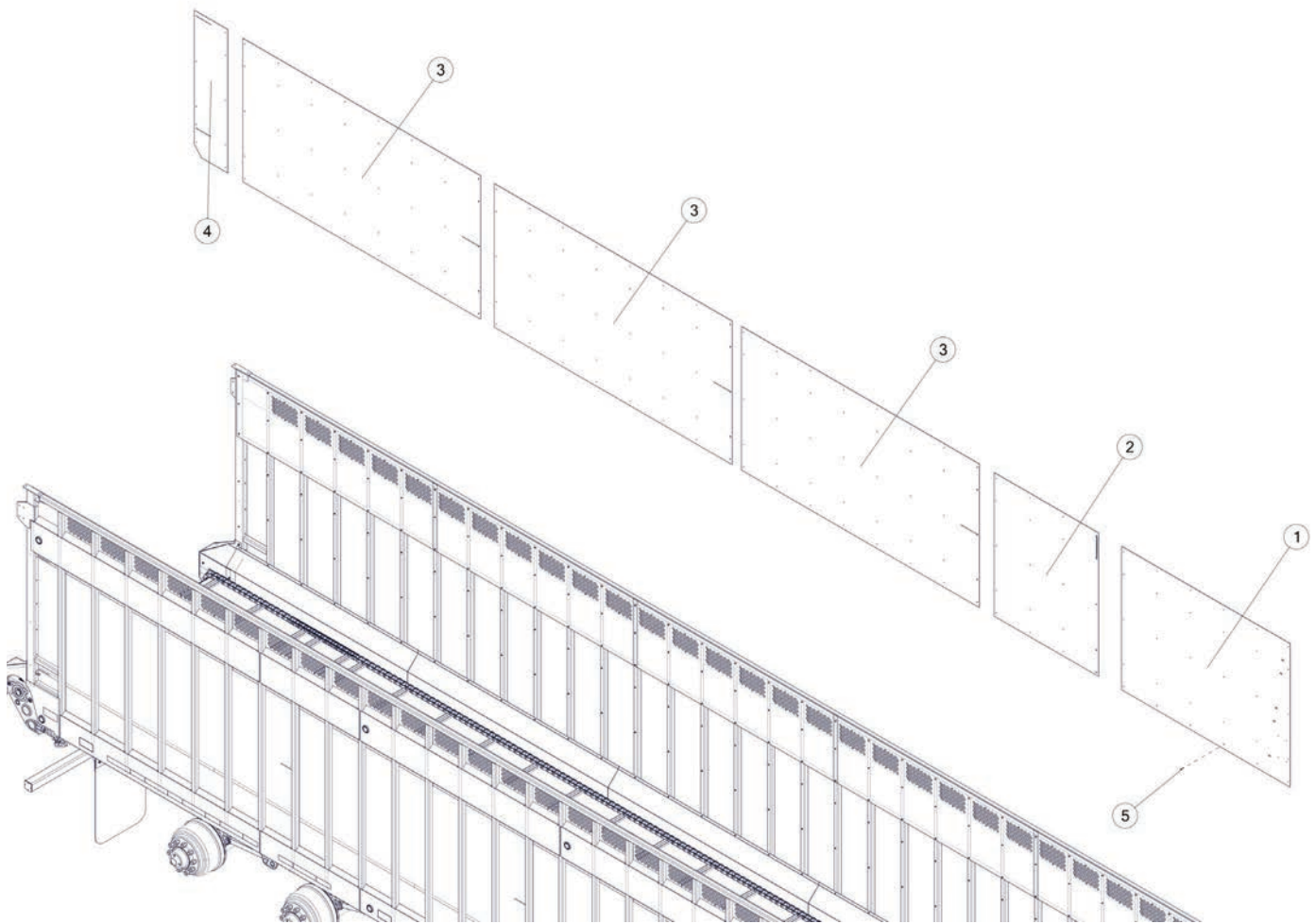




FIGURE 4
LH SIDE EXTENSION PANELS

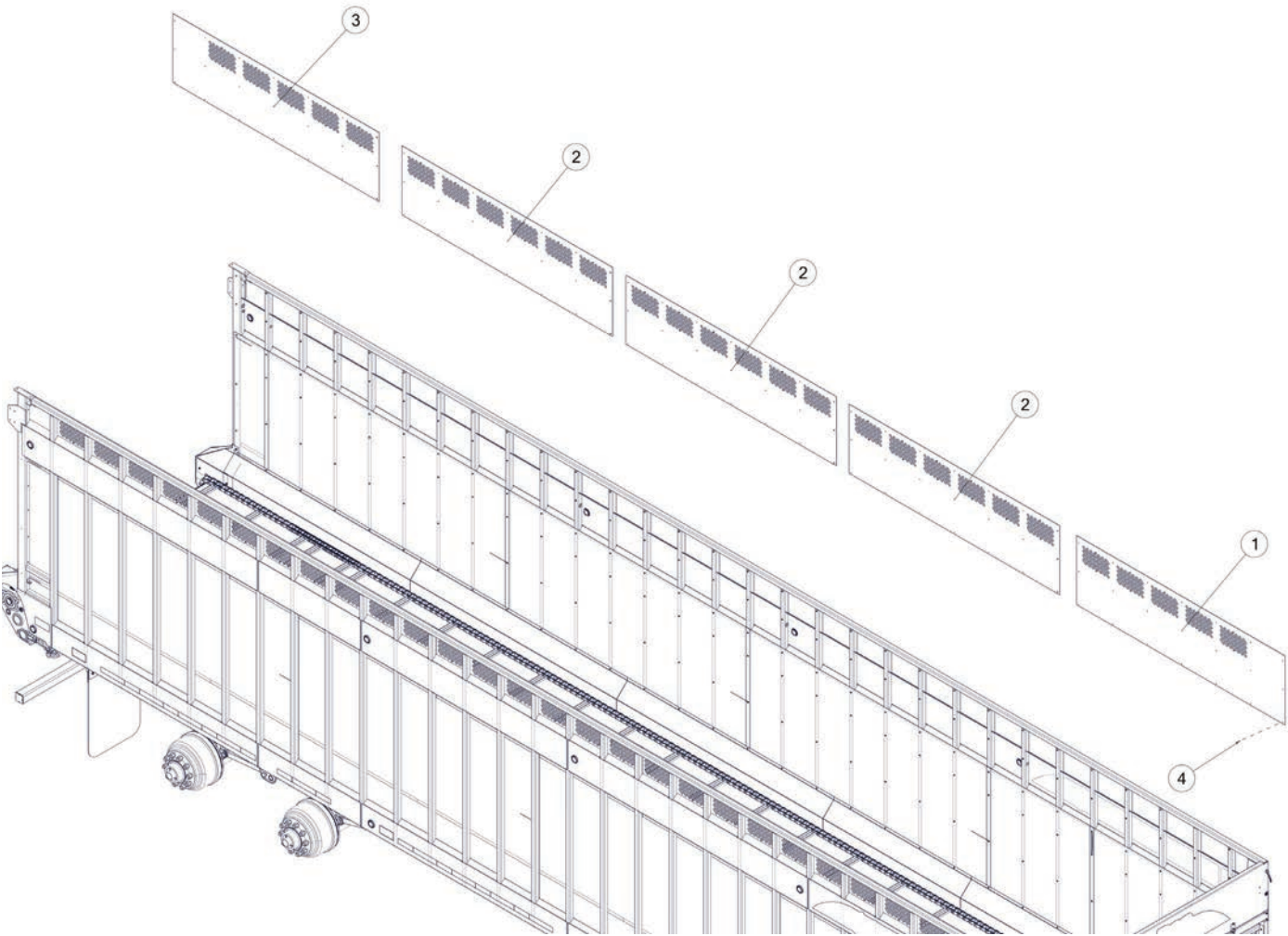




FIGURE 5
FRONT PANEL W/WINDOW

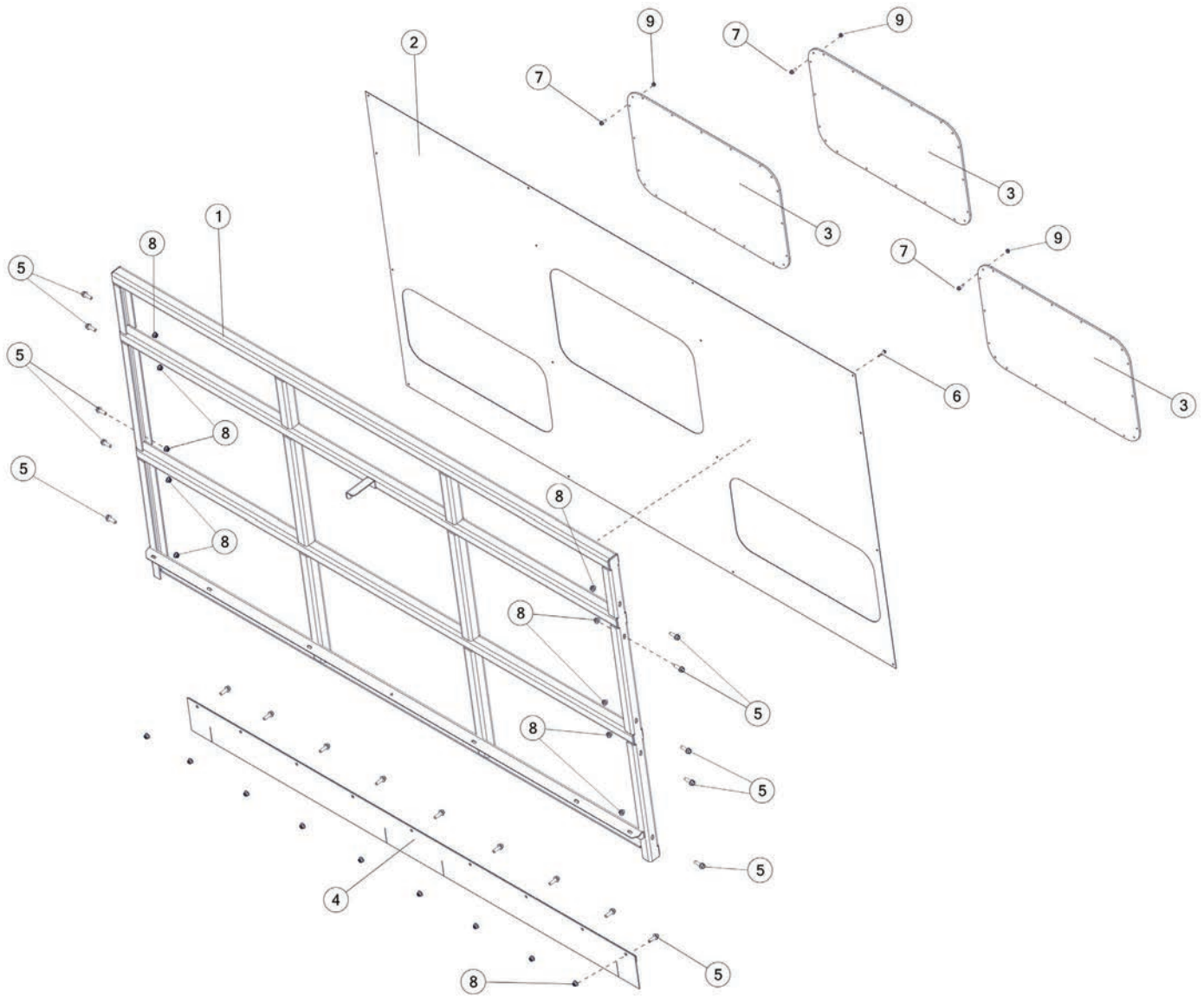




FIGURE 6 FRONT PANEL AND COMPONENTS

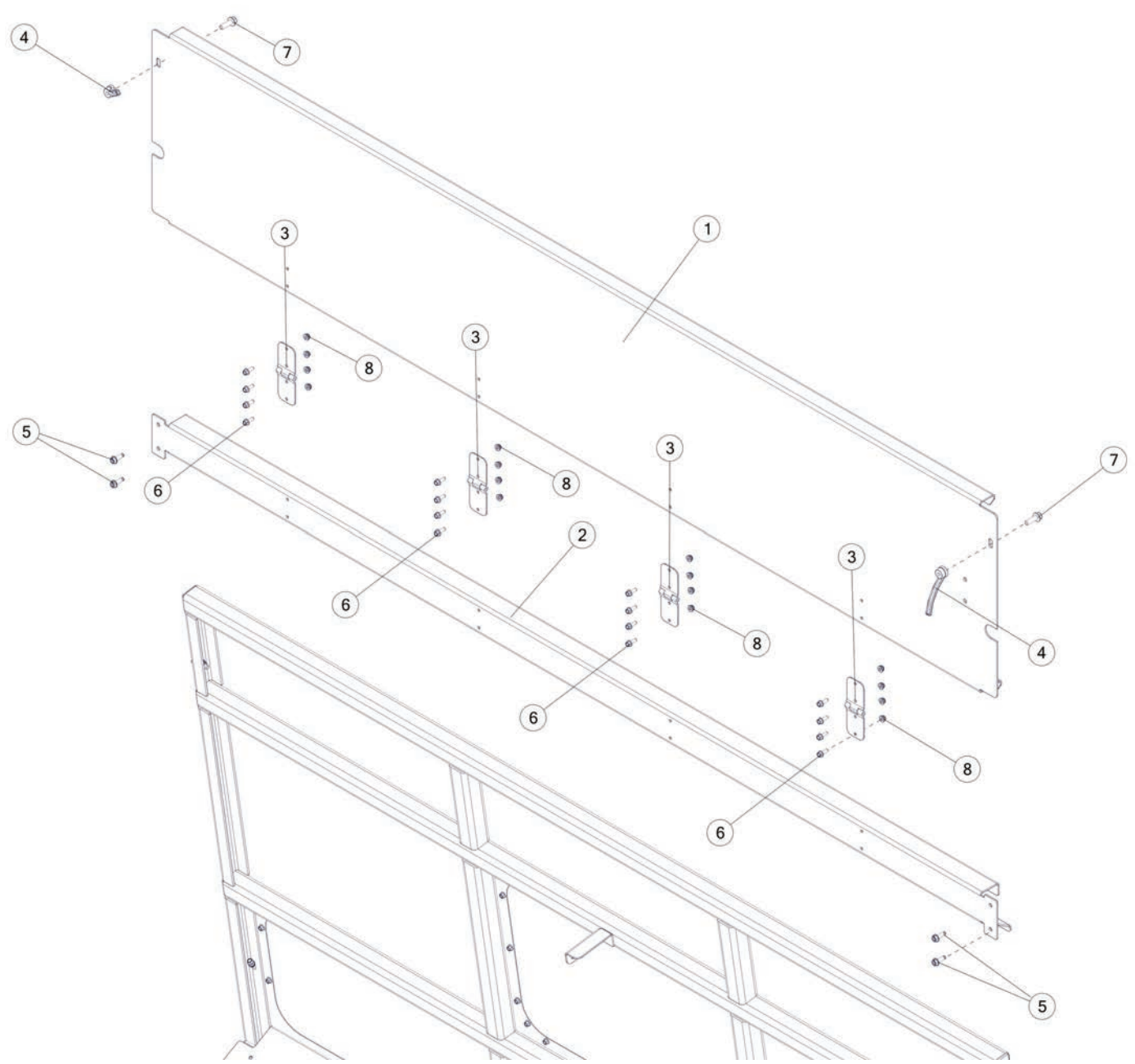




FIGURE 7 FLOOR HOLD DOWNS AND COMPONENTS

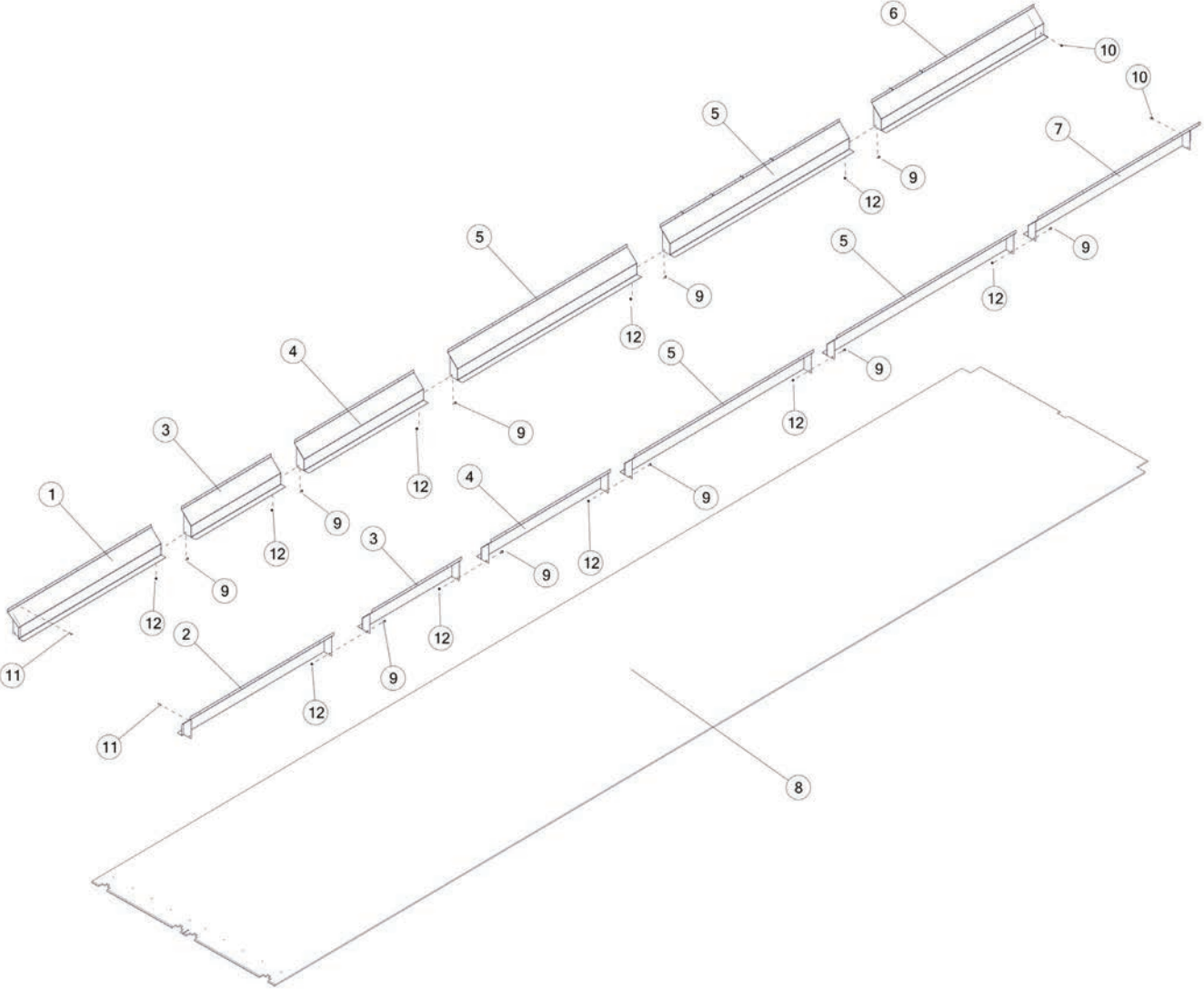




FIGURE 8 IDLER SHAFT AND COMPONENTS

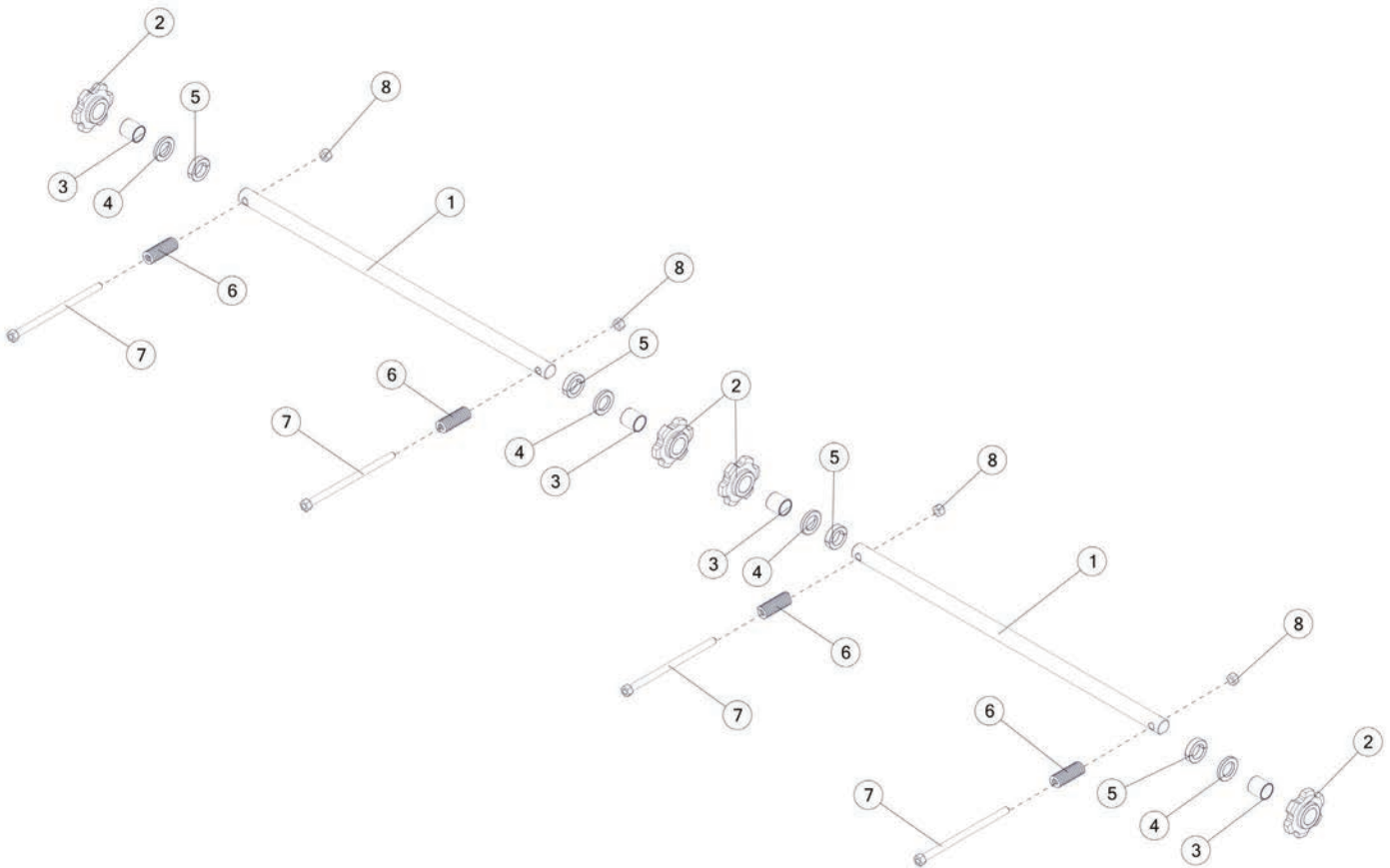




FIGURE 9
DRIVE SHAFT AND COMPONENTS

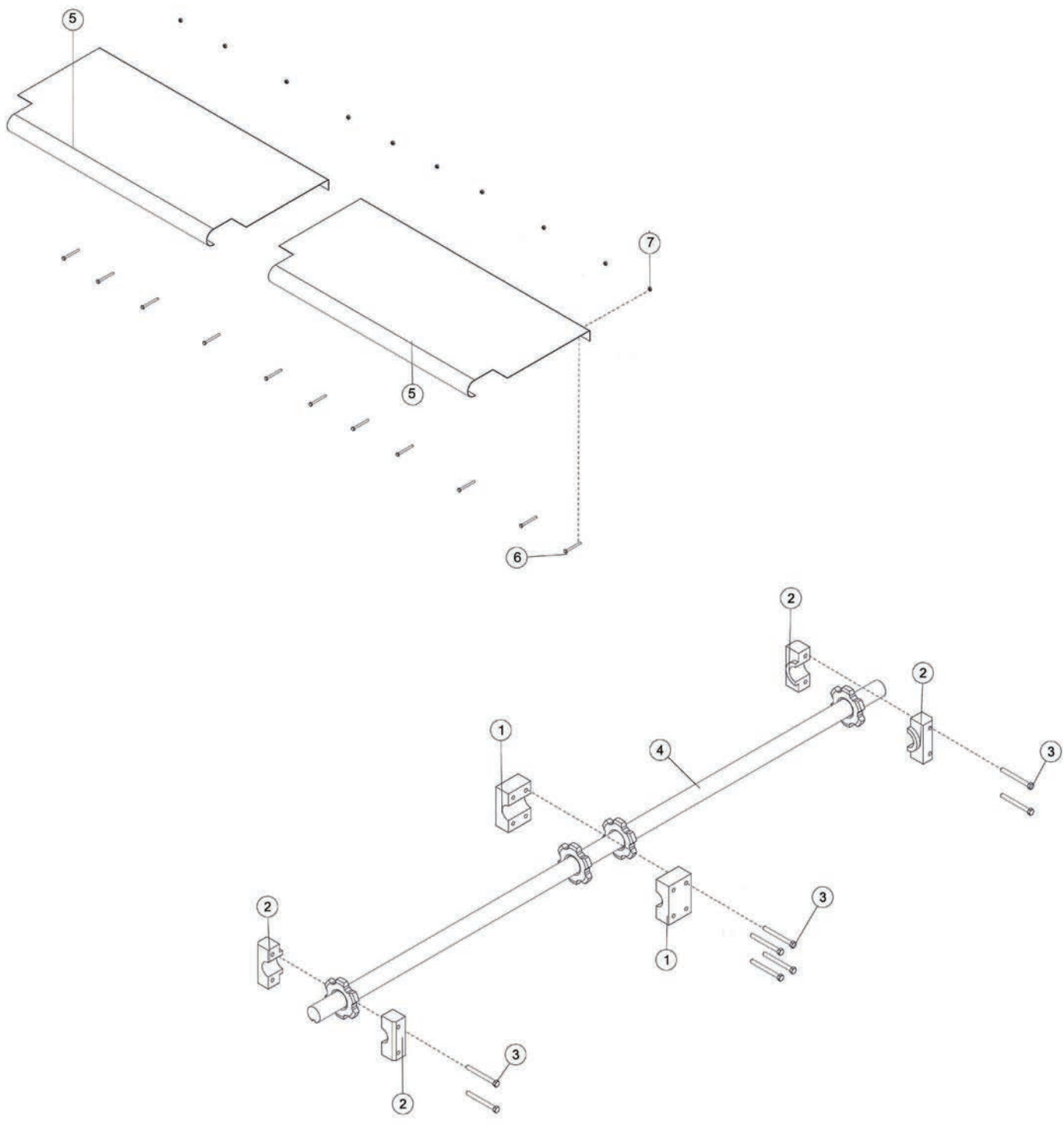




FIGURE 10

FLOOR CHAIN

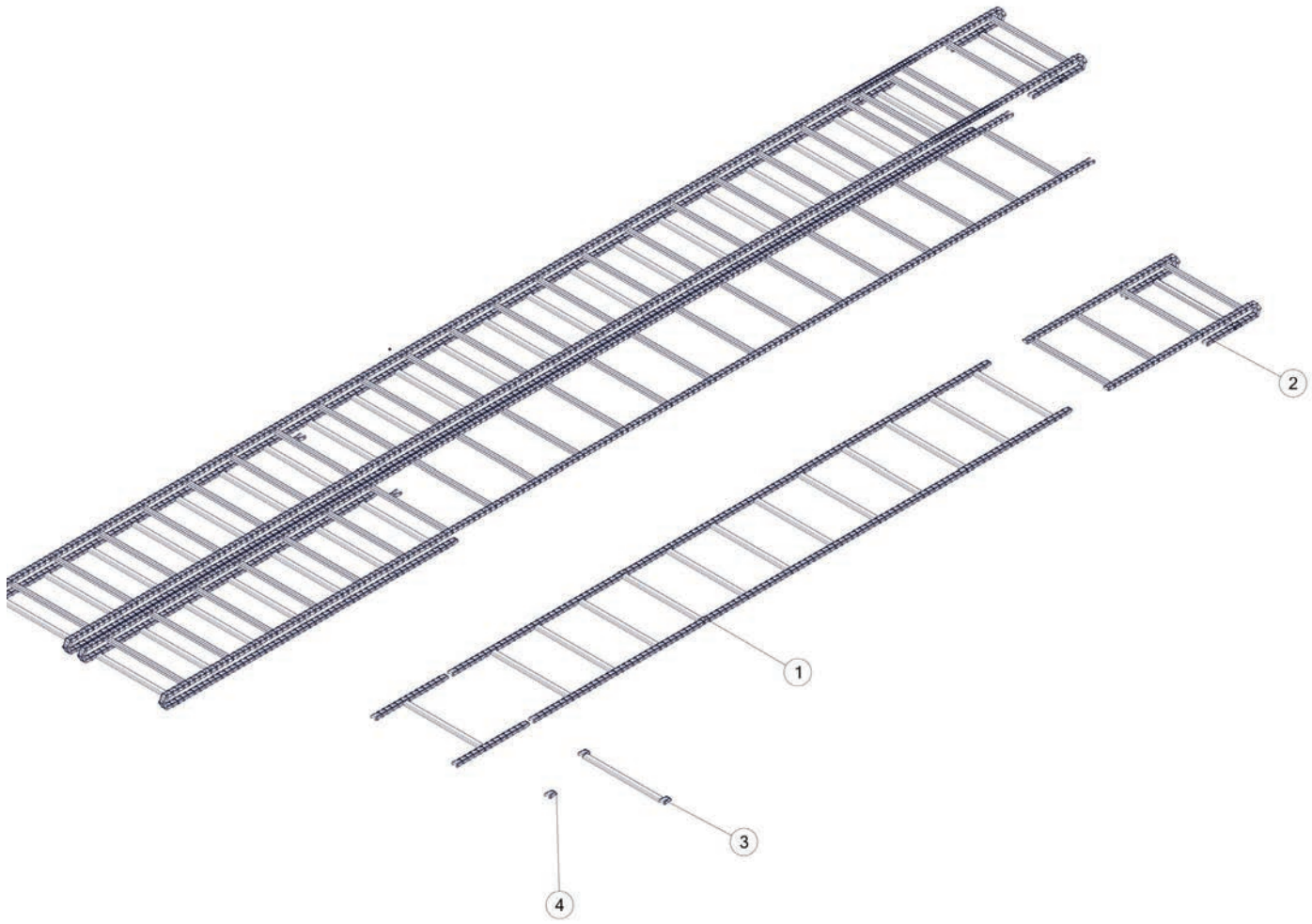




FIGURE 11

DRIVE SPROCKET LH

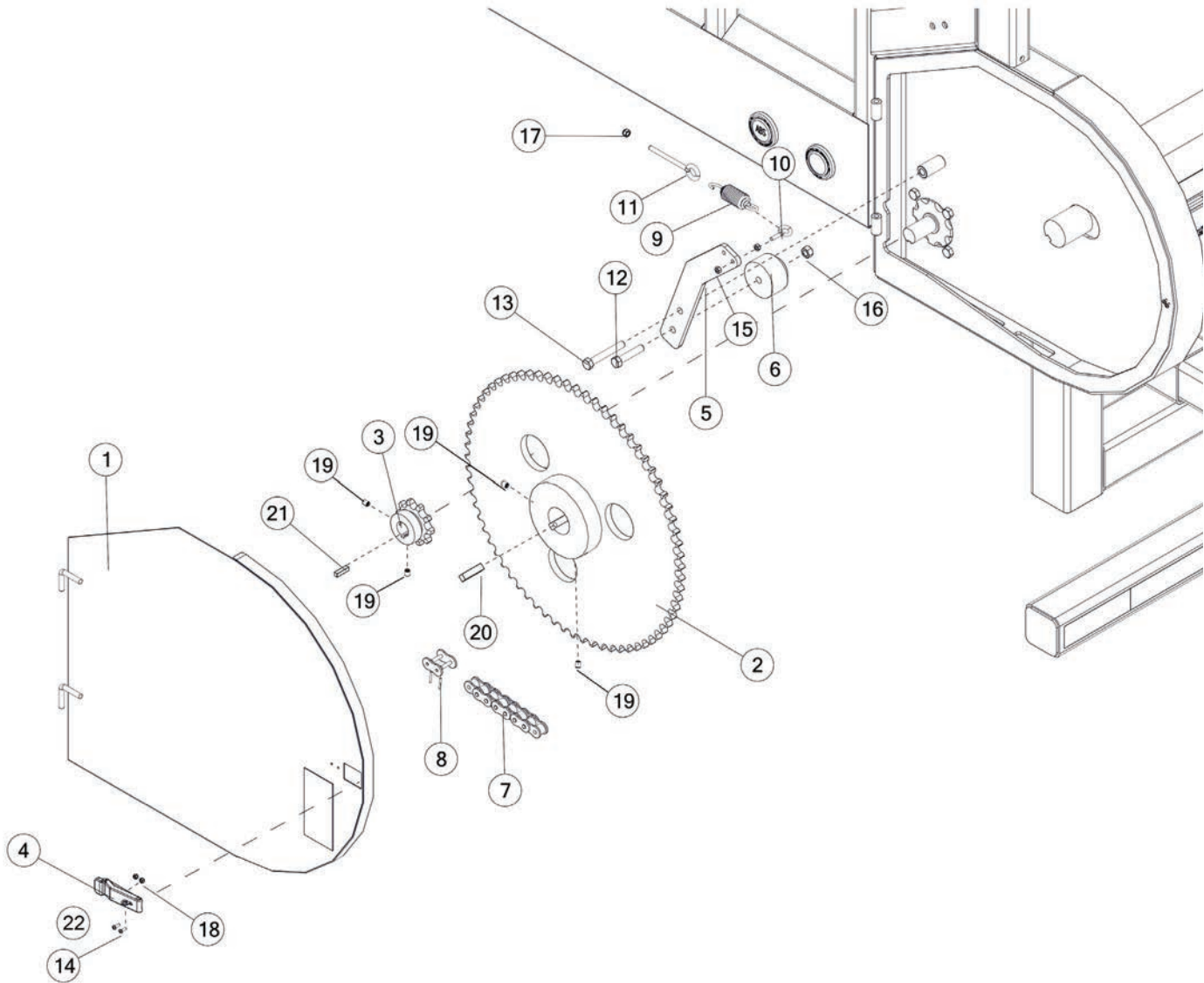
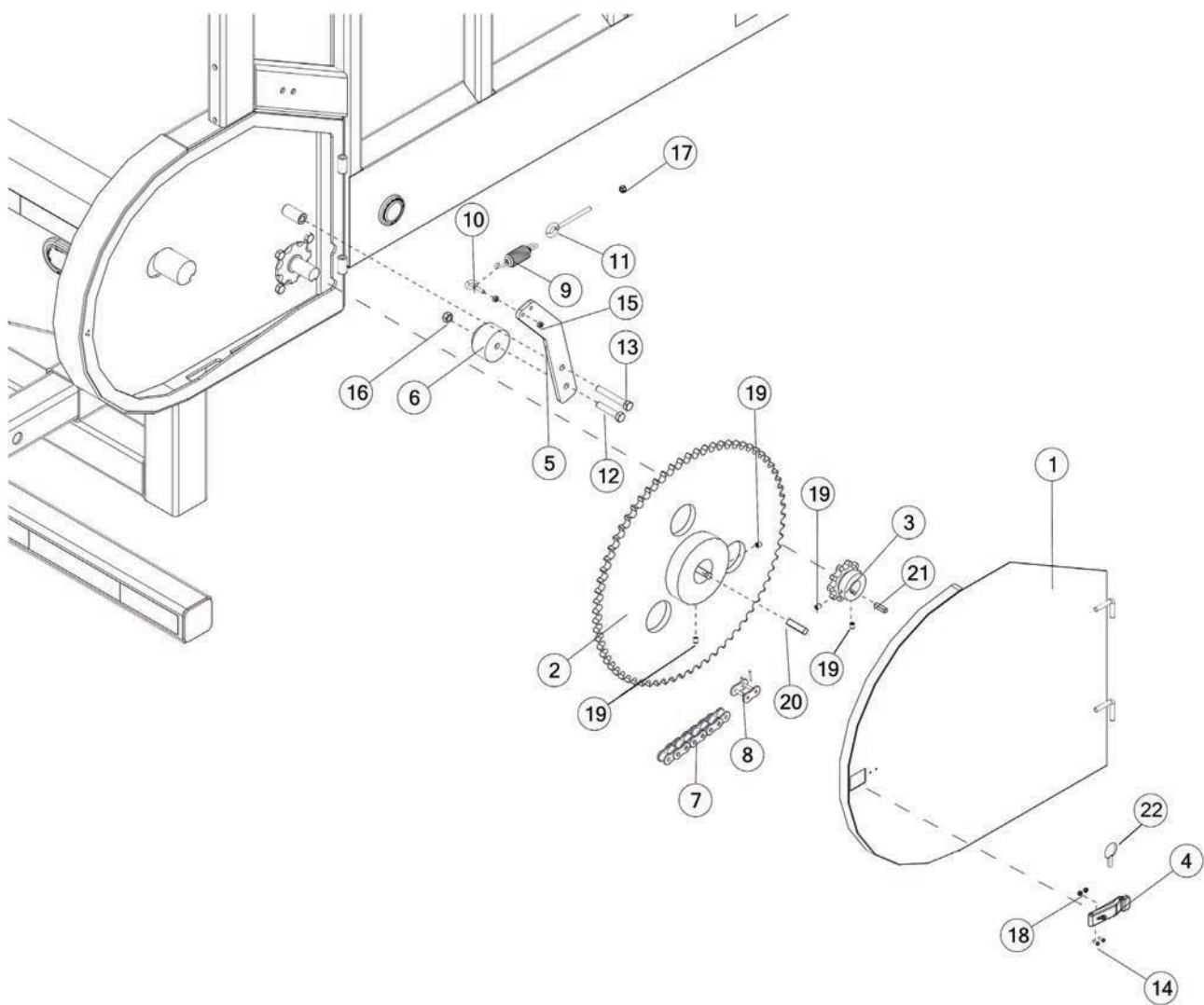




FIGURE 12
DRIVE SPROCKET RH



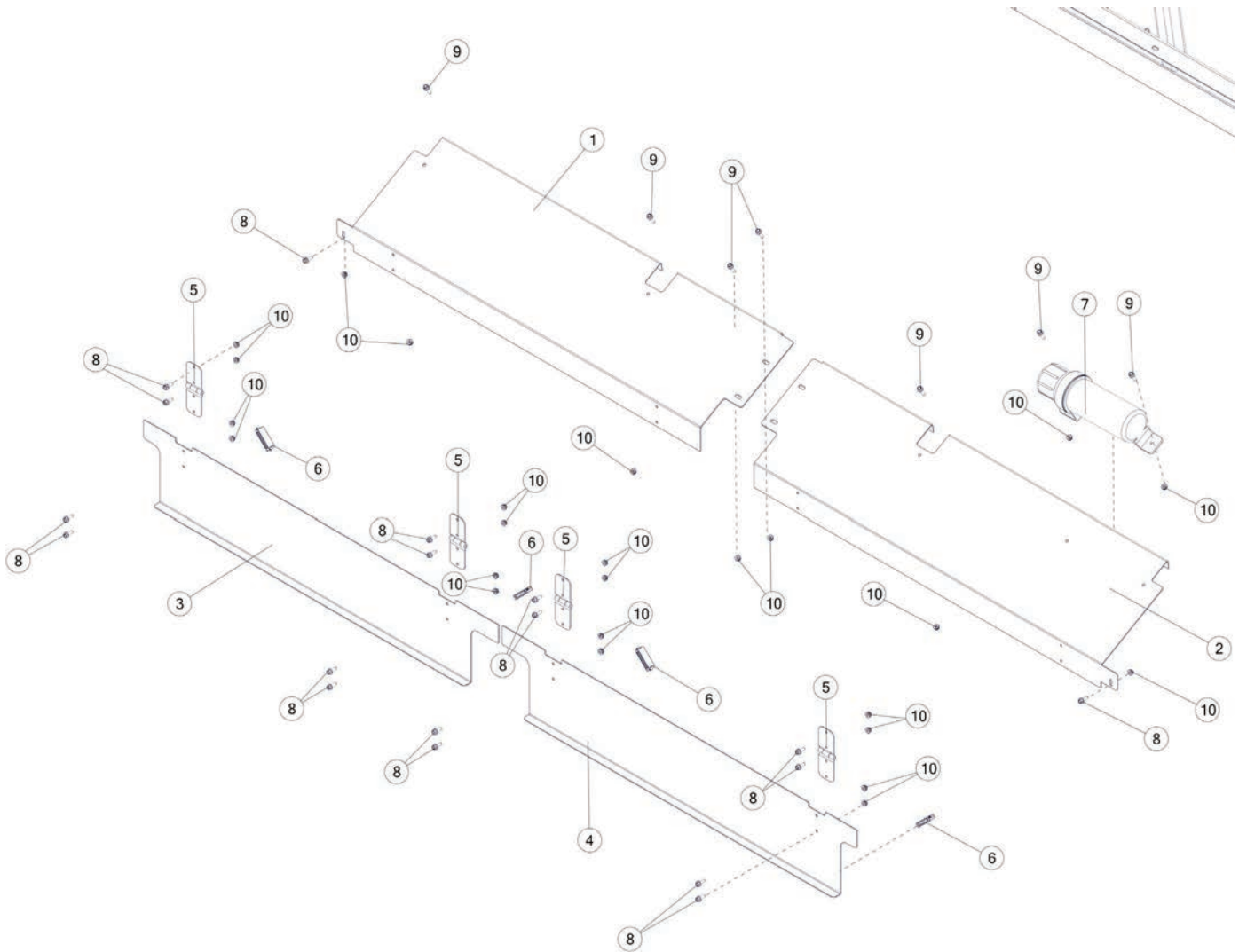




FIGURE 14 GLADHANDS AND COMPONENTS

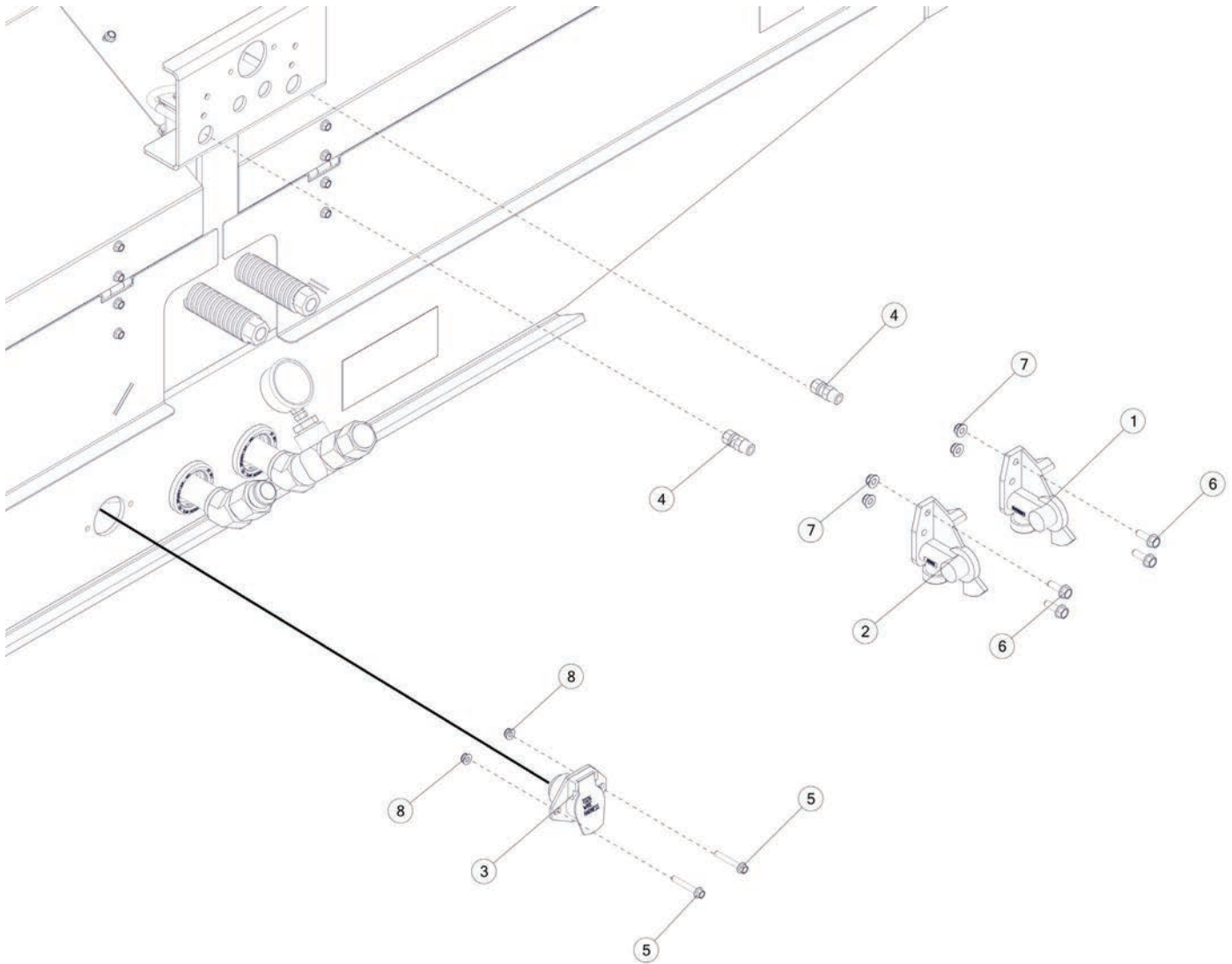




FIGURE 15 AIR LINES AND COMPONENTS

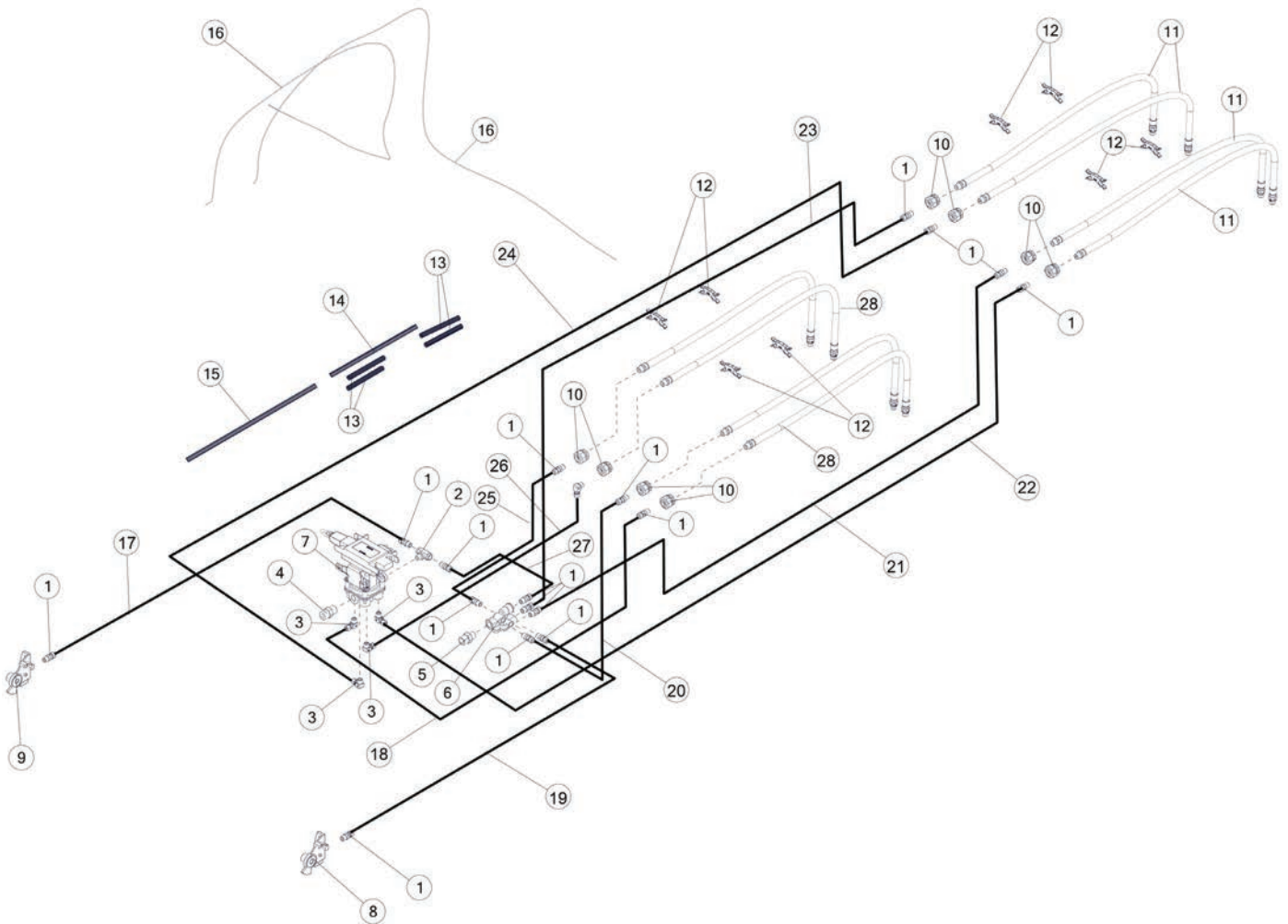




FIGURE 16

HYDRAULICS

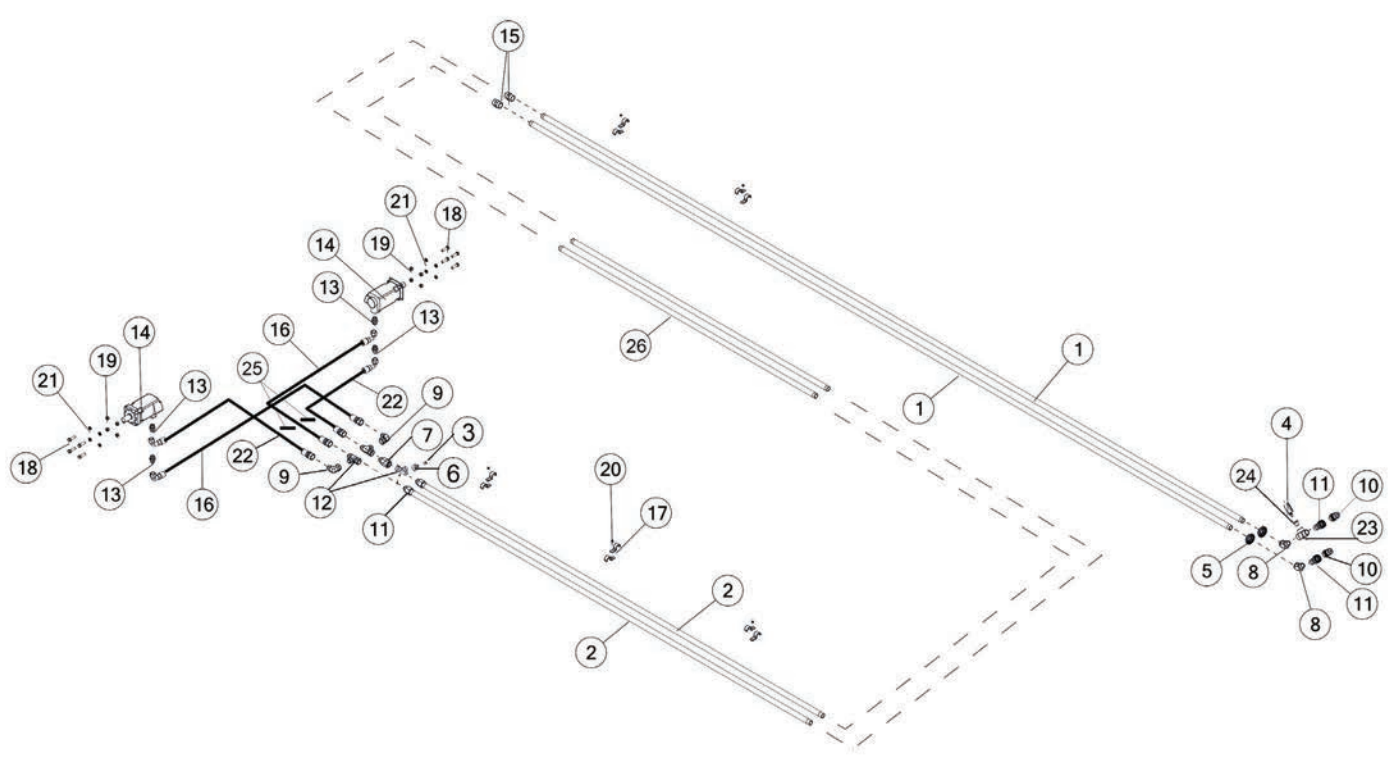




FIGURE 17

LANDING GEAR AND COMPONENTS

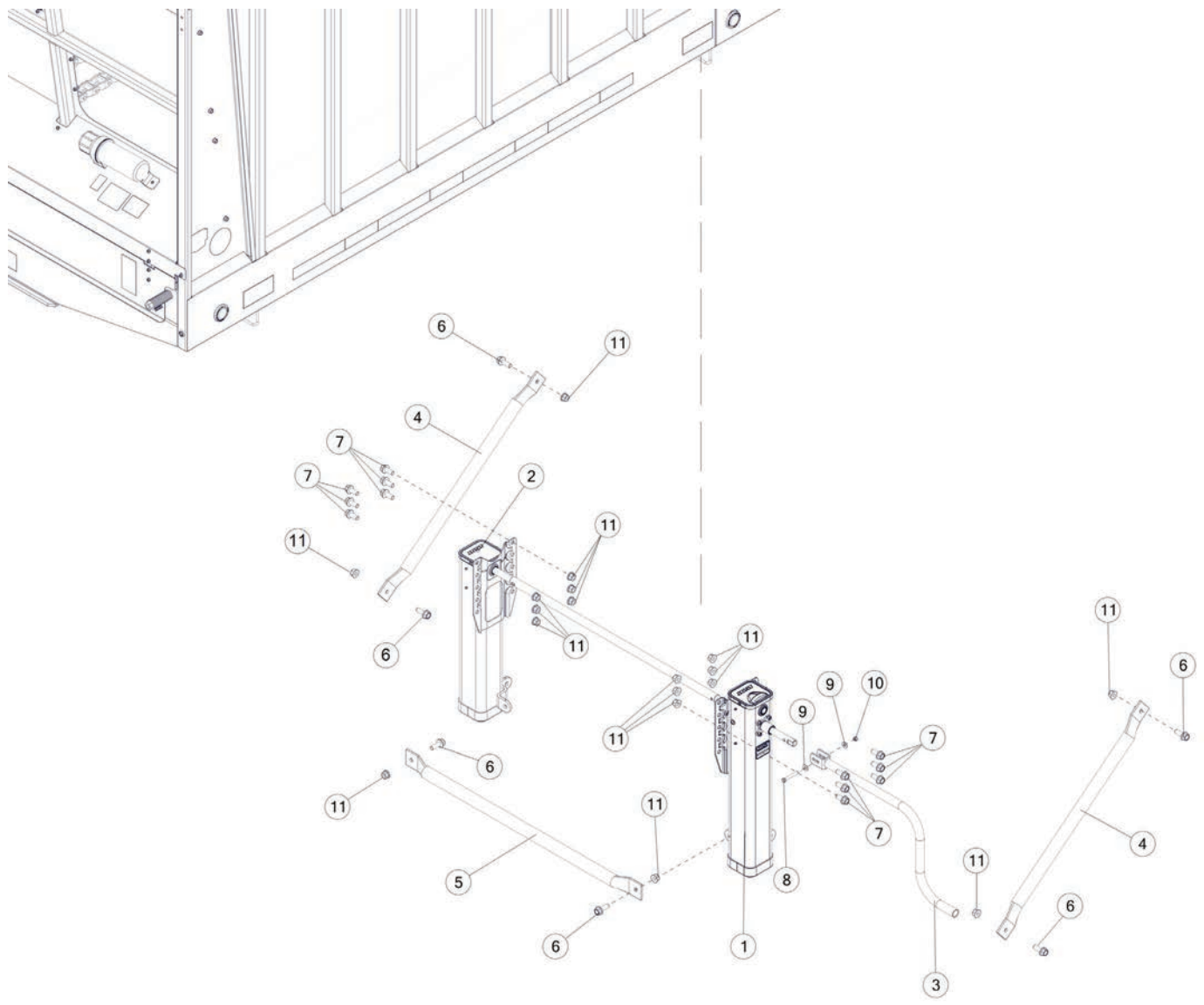
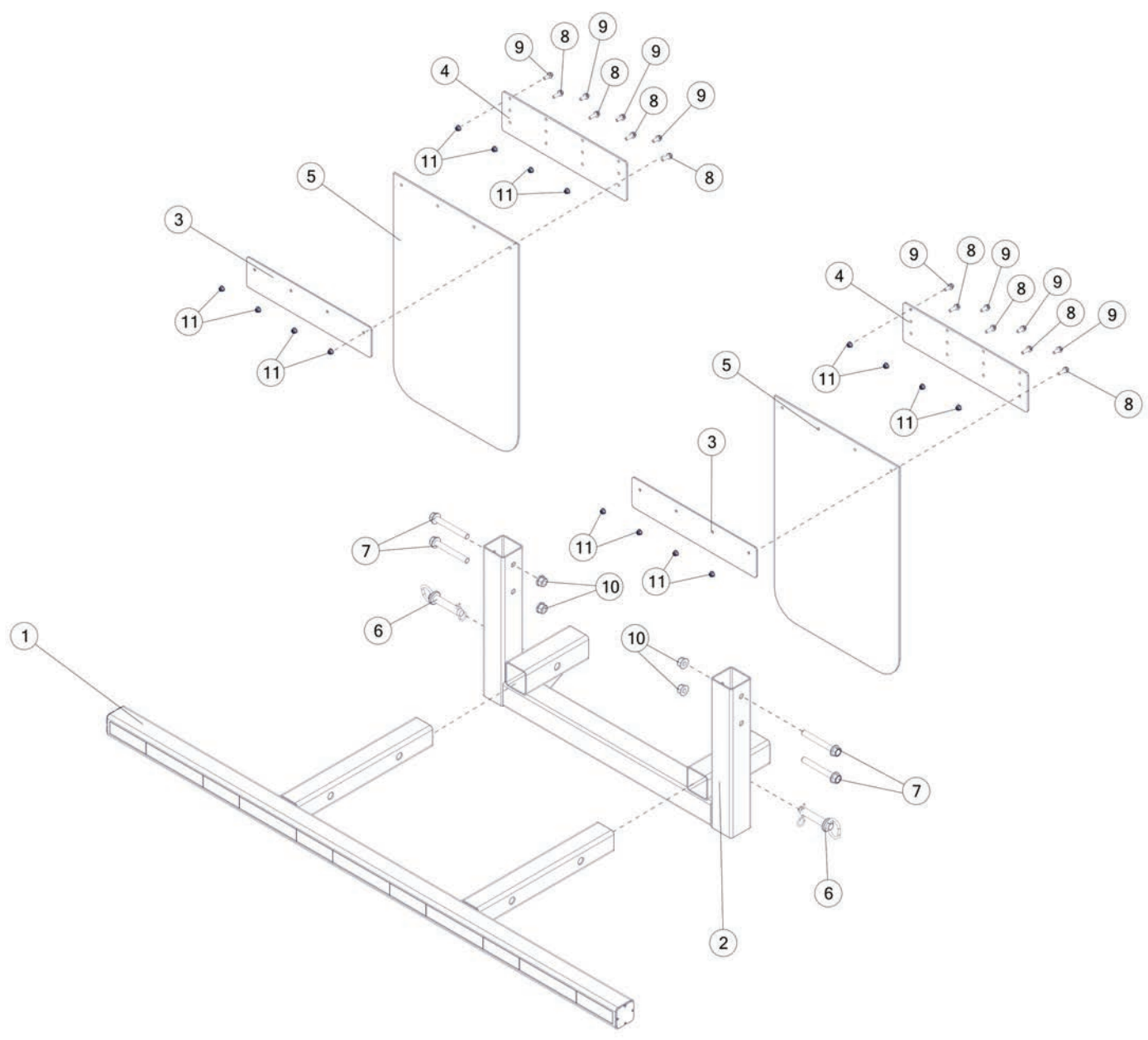




FIGURE 18 BUMPER AND COMPONENTS



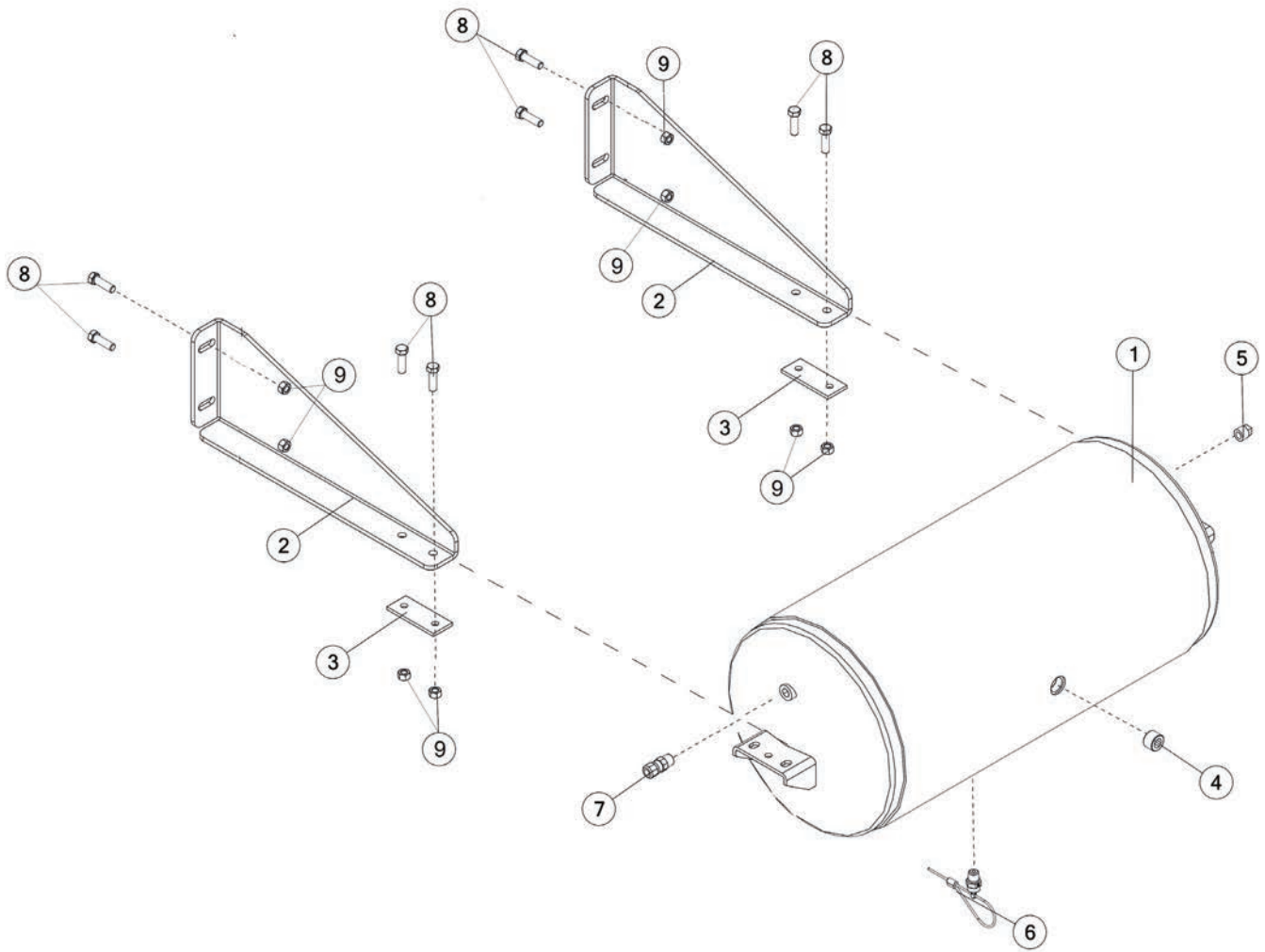




FIGURE 20
SPRING SUSPENSION

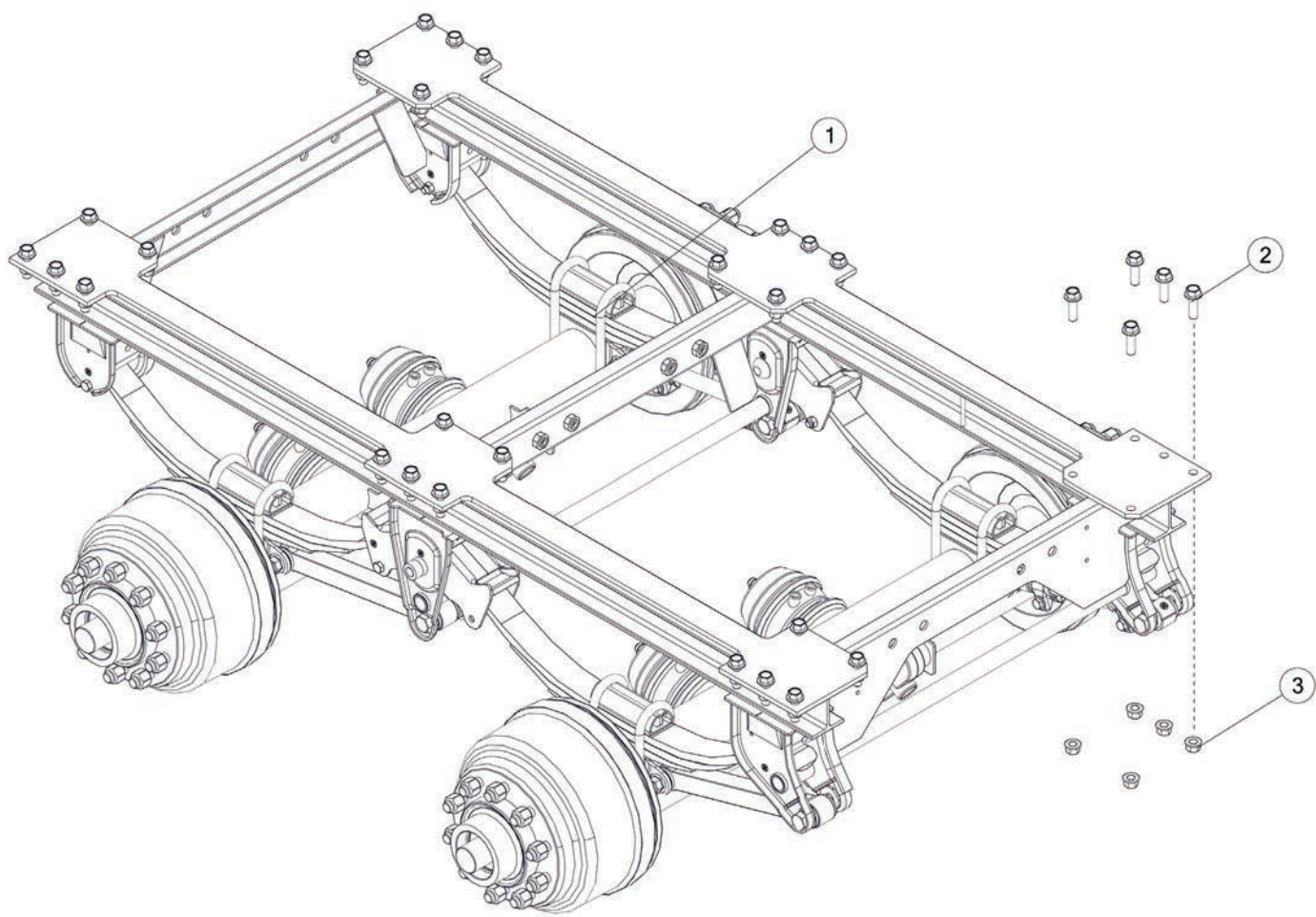




FIGURE 21 AXLE SPRINGS AND COMPONENTS

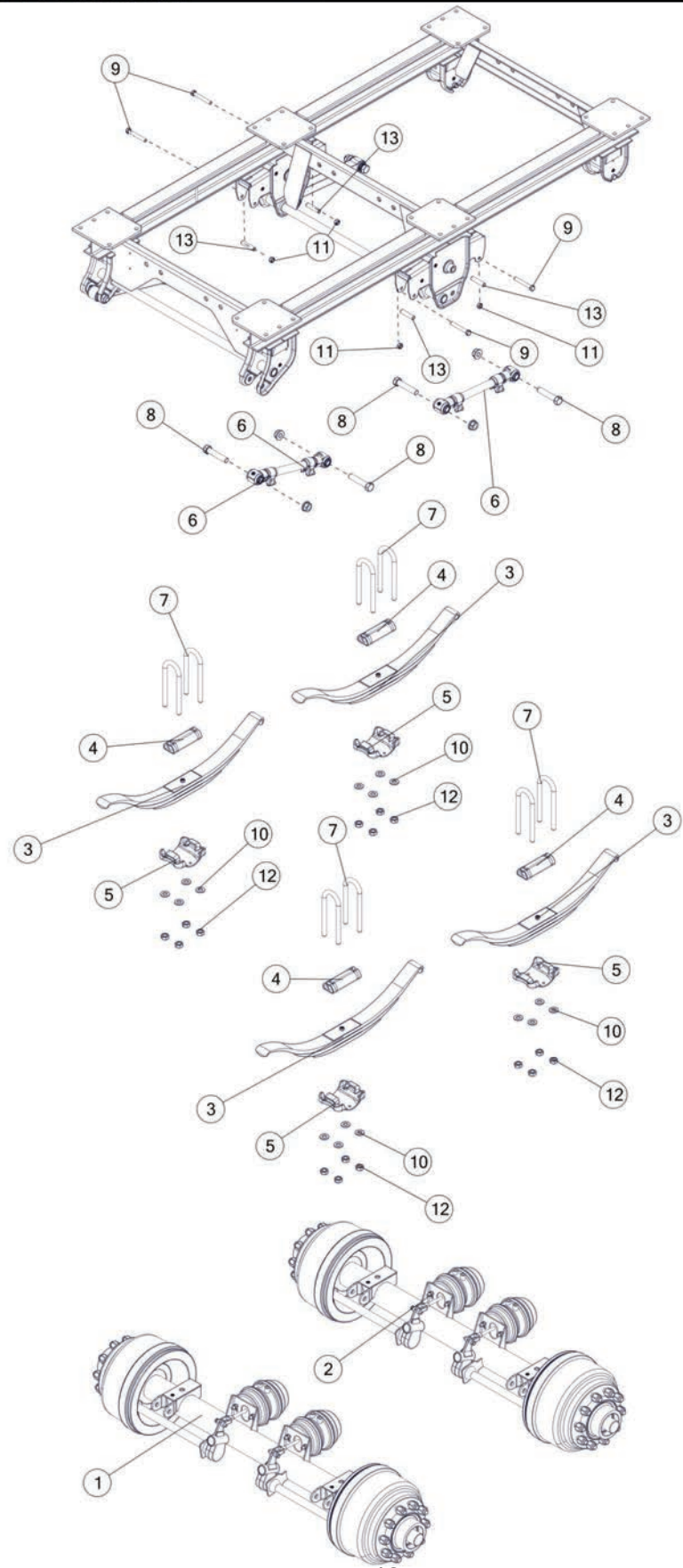
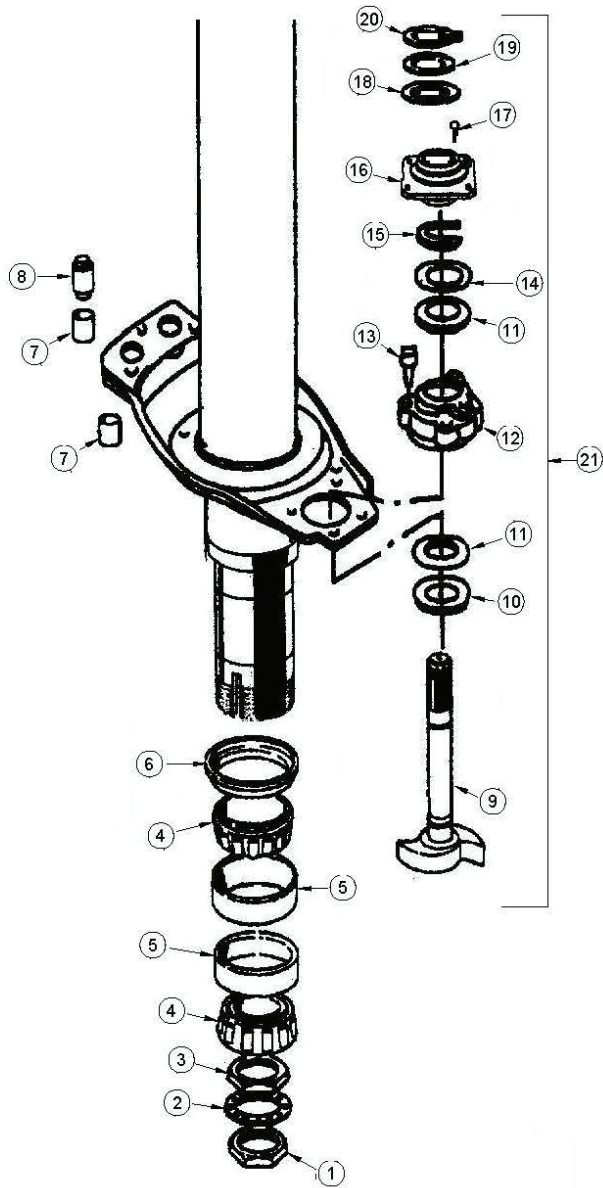
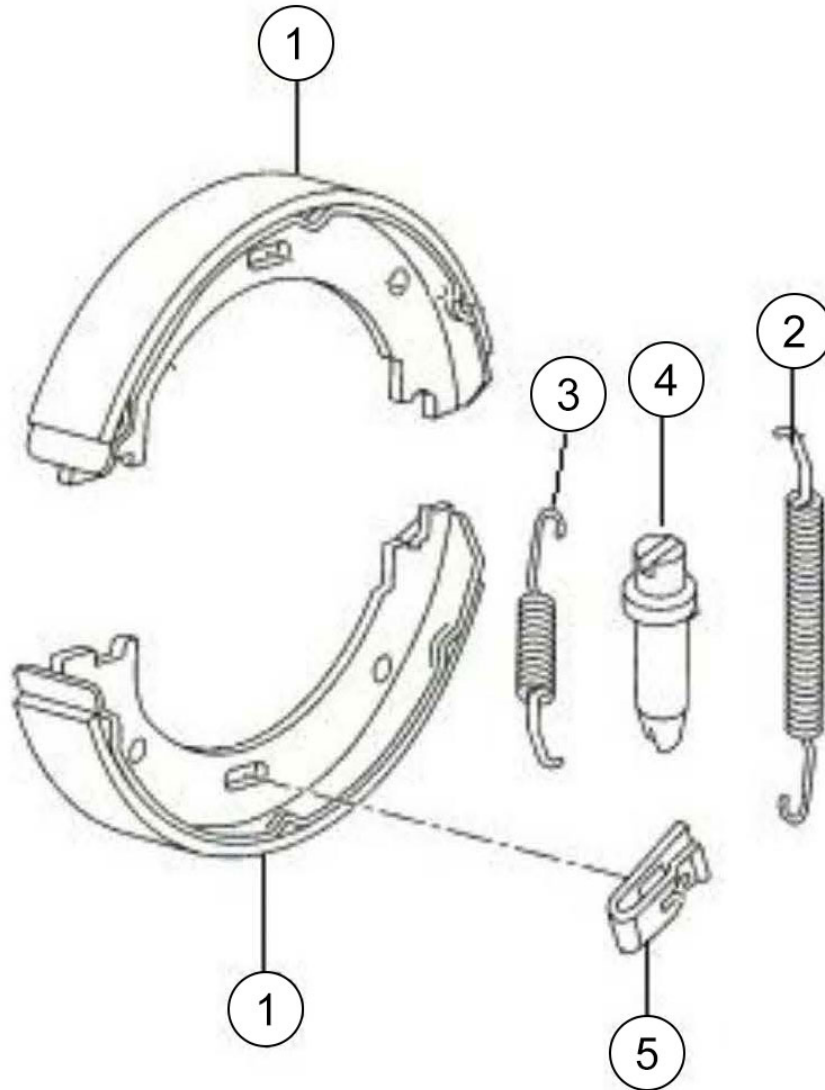




FIGURE 22 CAMSHAFT AND COMPONENTS





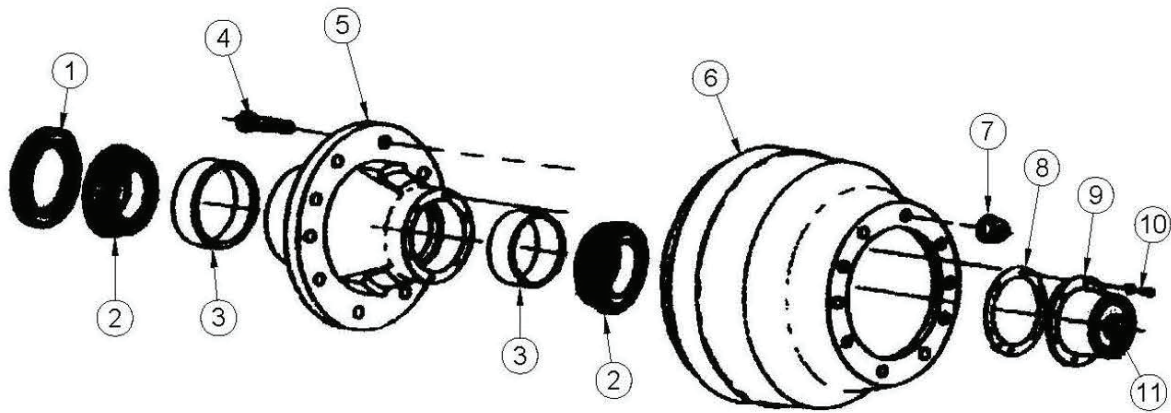




FIGURE 25 ELECTRIC HARNESS AND LIGHTS

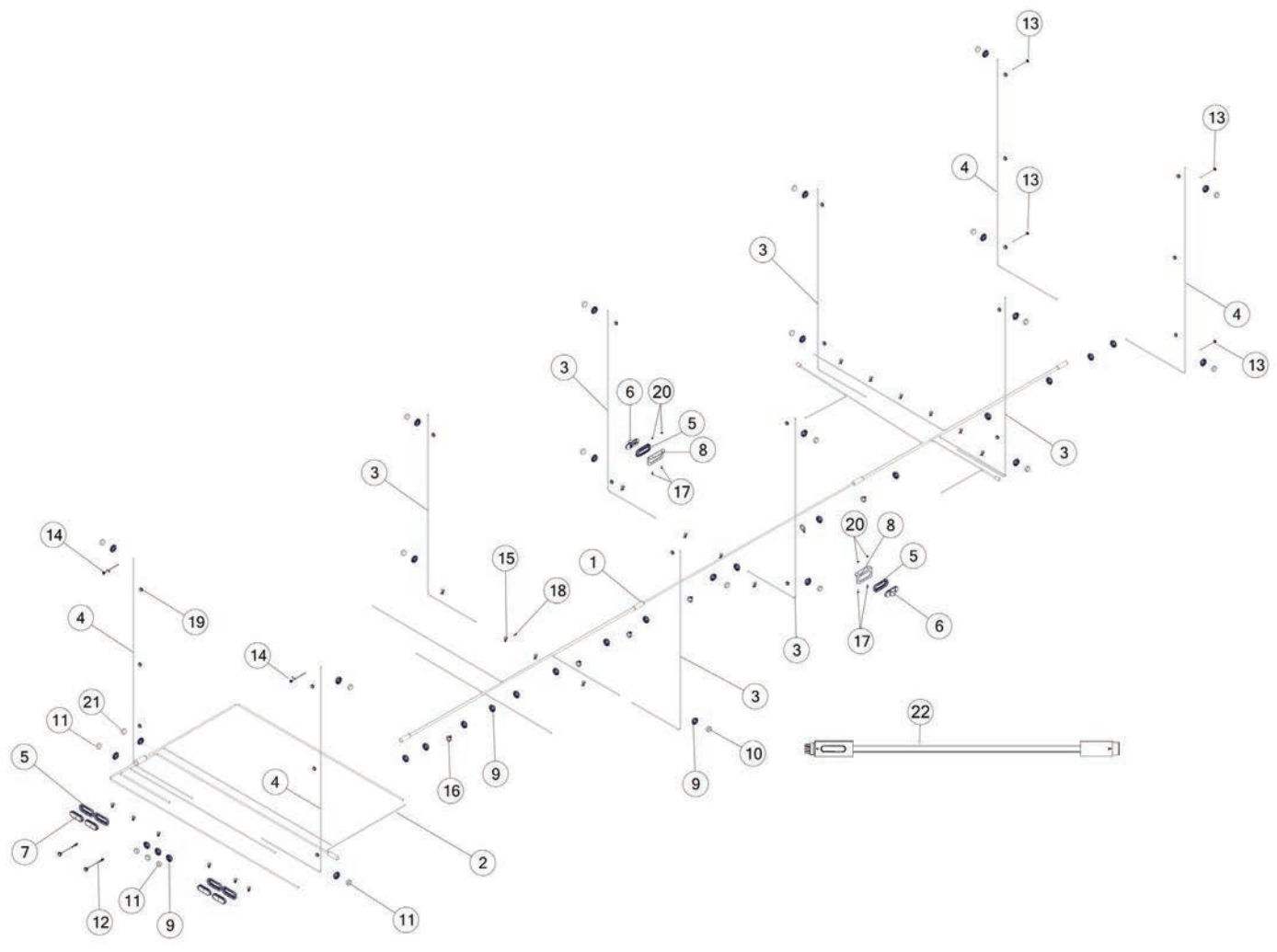




FIGURE 26

TOP PIVOT REAR DOOR W/HYD GATE DELAY

| REF # | PART # | DESCRIPTION | QTY |
|-------|-----------|--|-----|
| 1 | 95911 | DOOR | 1 |
| 2 | 94720 | DOOR SKIN, LH | 1 |
| 3 | 88124 | DOOR SKIN | 1 |
| 4 | 88283 | CORNER DOOR SEAL | 2 |
| 5 | 89945 | UPPER GATE DELAY MOUNT, RH | 1 |
| 6 | 89265 | UPPER GATE DELAY MOUNT, LH | 1 |
| 7 | 90679 | STAKE TOP REAR ASSEMBLY | 2 |
| 8 | 55999 | CYLINDER, 2 x 8 3000 PSI | 2 |
| * | 56187 | SEAL KIT | 2 |
| 9 | 89267 | LOWER GATE DELAY MOUNT | 2 |
| 10 | BBS67 | LATCH | 4 |
| 11 | BBS64 | DOOR HINGE PIN | 2 |
| 12 | 56244 | BUSHING, DRIVE SHAFT | 2 |
| 13 | T143 | HYDRAULIC CYLINDER PIN | 4 |
| 14 | YPCT05010 | COTTER PIN, 5/32 X 1-1/2 | 8 |
| 15 | CHM164 | FITTING 90, 6JIC X 3/8NPT | 2 |
| 16 | 58144 | IN-LINE CONNECTOR, ORIFICE, 6-XHX7-S .062 | 2 |
| 17 | BFR70 | VENT PLUG, 3/8 | 2 |
| 18 | 90684 | FITTING 90, 1/8NPT X 1/8NPT | 2 |
| 19 | 90681 | PIPE NIPPLE | 2 |
| 20 | 58137 | FITTING T, 6JIC X 6JIC X 6JIC | 1 |
| 21 | YSDR66007 | SCR SELF DRILL, HEX WASH HD, #12-14 X 1-1/4 ZC | 38 |
| 22 | YBFB12125 | BOLT FLANGE, 3/8 X 1-1/4 G5 | 9 |
| 23 | YBFB16150 | BOLT FLANGE, 1/2 X 1-1/2 G5 | 4 |
| 24 | YBFB16175 | BOLT FLANGE, 1/2 X 1-3/4 G5 | 8 |
| 25 | YBFB16250 | BOLT FLANGE, 1/2 X 2-1/2 G5 | 4 |
| 26 | YSHW10020 | SCREW THREAD CUTTING, 5/16 X 1-1/2 | 10 |
| 27 | YBFB16350 | BOLT FLANGE, 1/2 X 3-1/2 G5 | 8 |
| 28 | YBFB12300 | BOLT FLANGE, 3/8 X 3 G5 | 4 |
| 29 | YWFL12005 | WASHER FLAT, 3/8 USS | 9 |
| 30 | YNFG12006 | NUT FLANGE, 3/8 GF | 13 |
| 31 | YNFG16003 | NUT FLANGE, 1/2 GF | 20 |
| 32 | 23N67 | FRONT HOSE BRACKET | 10 |
| 33 | 90729 | HYDRAULIC HOSE, 2, 88 | 2 |
| 34 | 78689 | HYDRAULIC HOSE, 6, 230 | 2 |
| 35 | 94722 | DOOR RUBBER, REAR | 1 |
| | | | |
| | | | |





FIGURE 27

OPTIONAL FBOTPDSK SEAL KIT FOR TOP PIVOT DOOR

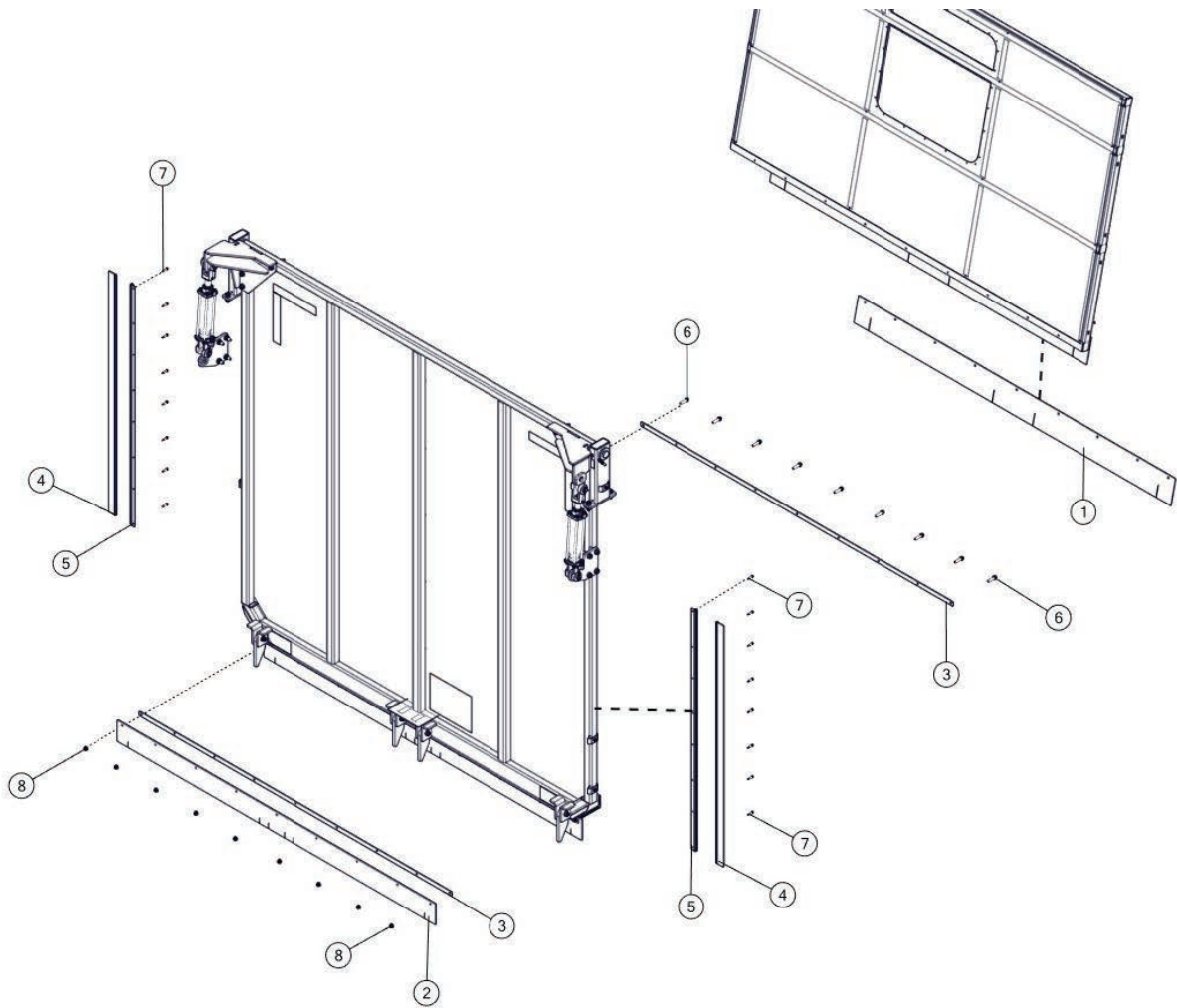




FIGURE 28
OPTIONAL TDO40RH
40FT ROOF HOOD - NOT INSTALLED

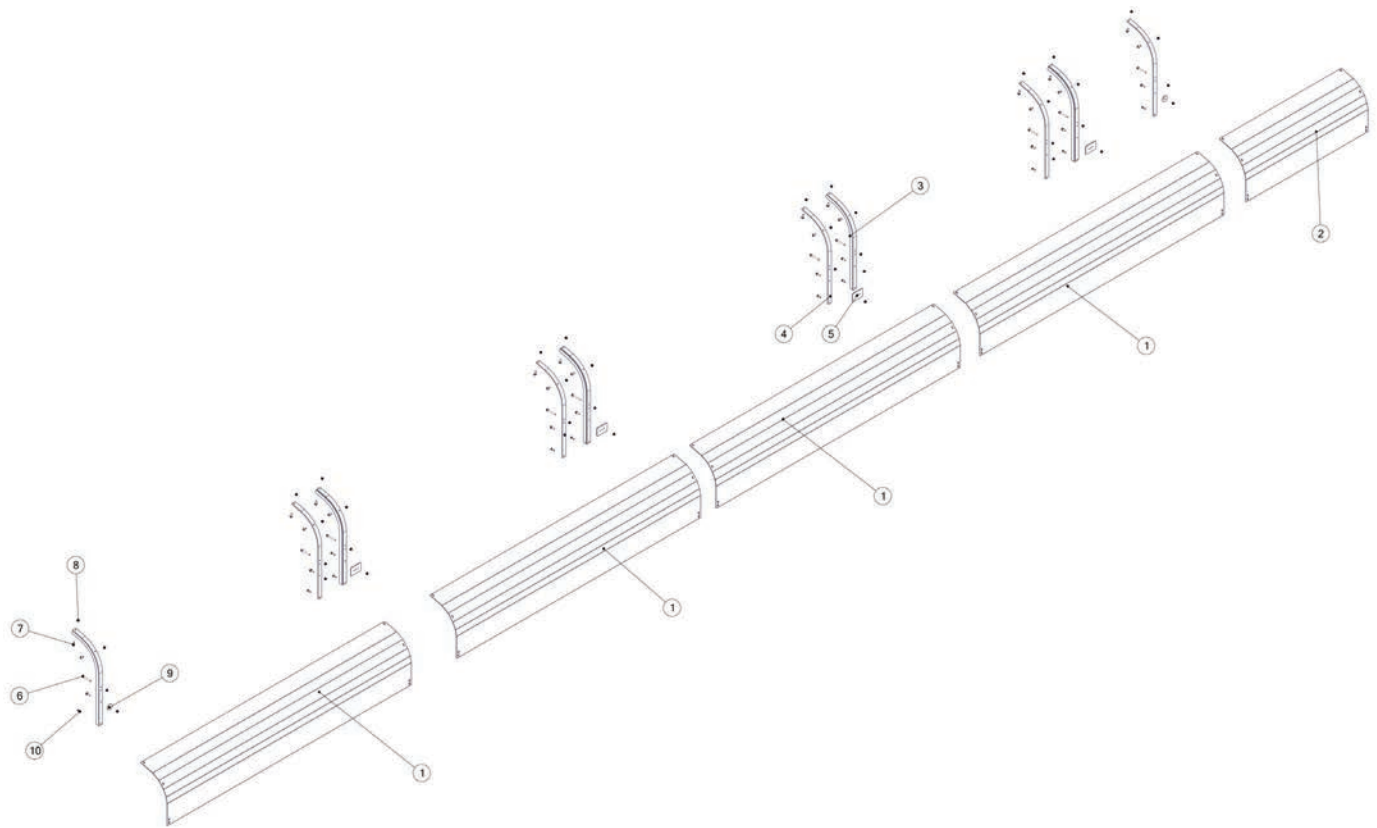




FIGURE 29

OPTIONAL TDOAIR54
AIR RIDE SUSPENSION IN LIEU OF SPRING SUSPENSION

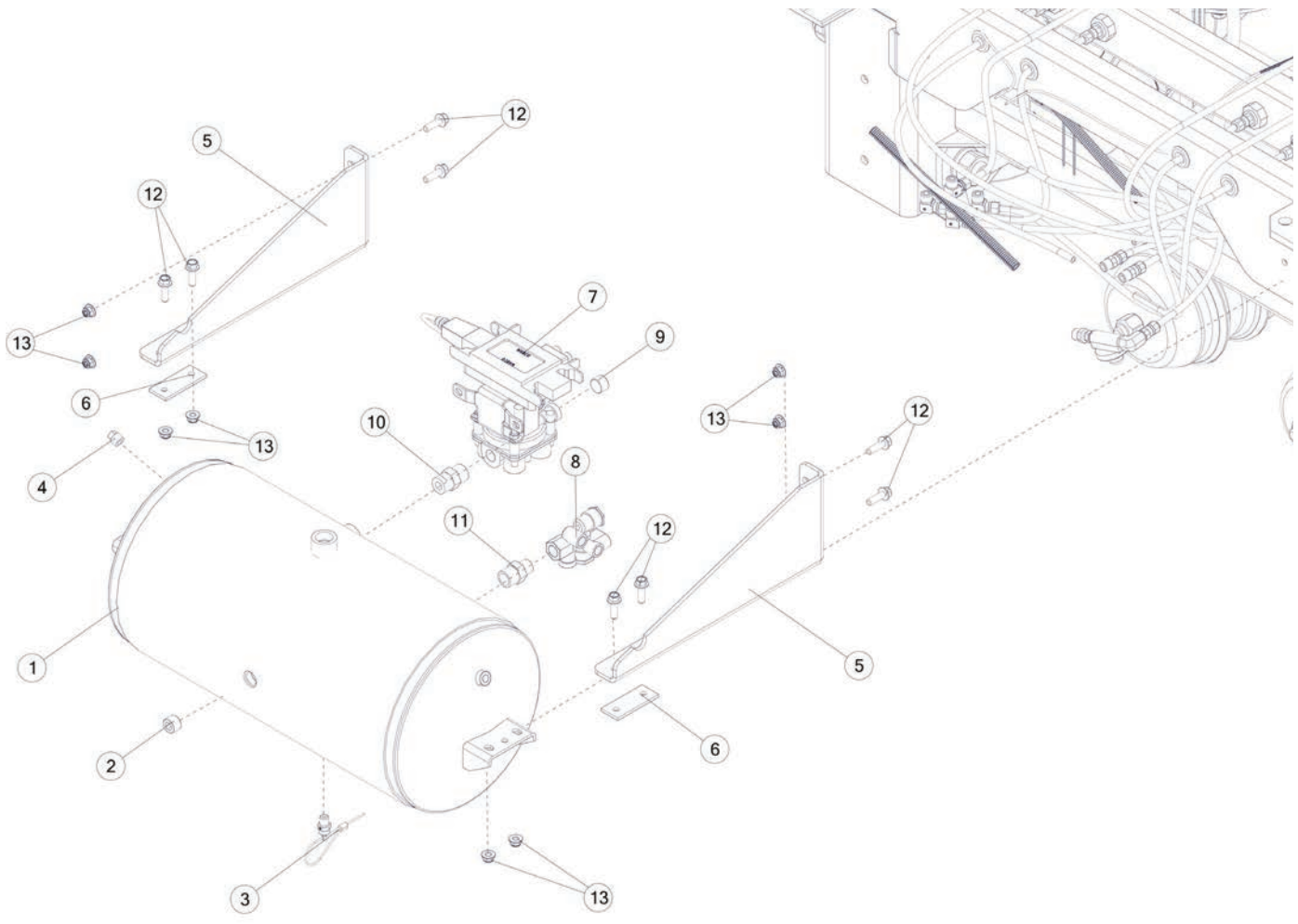




FIGURE 29

OPTIONAL TDOAIR54

AIR RIDE SUSPENSION IN LIEU OF SPRING SUSPENSION

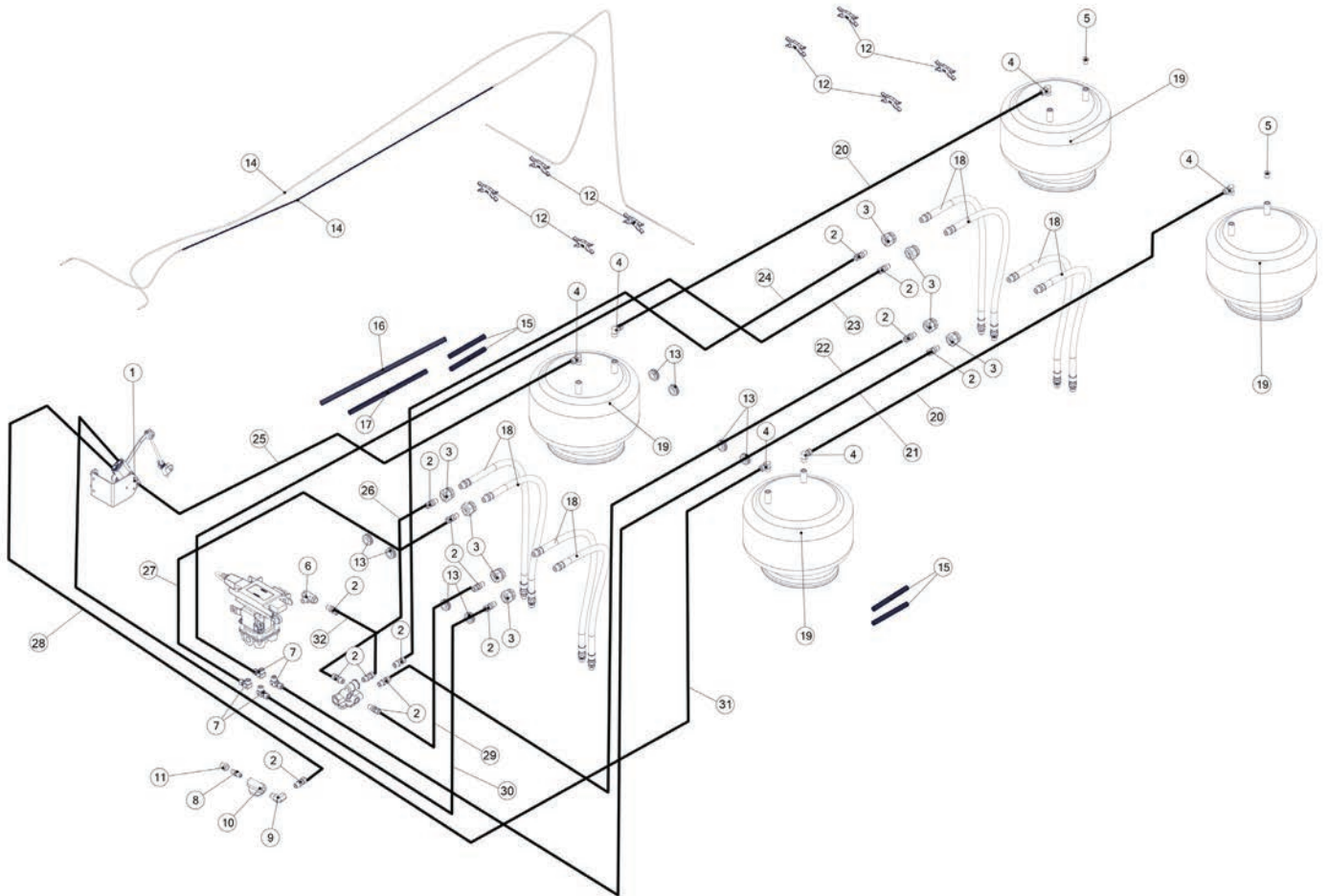




FIGURE 29 OPTIONAL TDOAIR54

AIR RIDE SUSPENSION IN LIEU OF SPRING SUSPENSION

| REF # | PART # | DESCRIPTION | QTY |
|-------|--------|---------------------------------|-----|
| 1 | 8009 | HEIGHT CONTROL VALVE KIT | 1 |
| 2 | 1032 | MALE CONNECTOR, 3/8 | 15 |
| 3 | 1114 | BULKHEAD NIPPLE, 3/8 X 3/8 | 8 |
| 4 | 1157 | MALE ELBOW, 3/8 X 1/4 D.O.T. | 6 |
| 5 | 1134 | NPT HEX HEAD PIPE PLUG, 1/4 | 2 |
| 6 | WM146 | MALE BRANCH TEE | 1 |
| 7 | 55798 | FITTING, ELBOW, 3/8 NPT | 4 |
| 8 | 1169 | NIPPLE NUT, 1/4 | 1 |
| 9 | 53435 | FITTING, 90, 3/8NPT X 1/4NPT | 1 |
| 10 | 1168 | REGULATOR, AIR SPRING | 1 |
| 11 | 1098 | BUSHING, 3/8 TO 1/4 | 1 |
| 12 | 79676 | HOSE SEPARATOR | 8 |
| 13 | 8030 | PUSH-IN MIL SPEC GROMMET | 8 |
| 14 | 8265 | SENSOR EXTENSION CABLE | 2 |
| 15 | 93927 | WIRE LOOM 1/2, BLK SLT 6 | 4 |
| 16 | 93954 | WIRE LOOM 1/2, BLK SLT 18 | 1 |
| 17 | 93953 | WIRE LOOM 1/2, BLK SLT 12 | 1 |
| 18 | 8000 | HOSE ASSEMBLY, 3/8 X 26 | 8 |
| 19 | 84644 | AIR BAG | 4 |
| 20 | 94920 | AIR BAG LINE, 50 BLACK | 2 |
| 21 | 94918 | SUPPLY LINE, 90 BLUE | 1 |
| 22 | 94911 | EMERGENCY LINE, 70 RED | 1 |
| 23 | 94915 | SUPPLY LINE, 73 BLUE | 1 |
| 24 | 94912 | EMERGENCY LINE, 100 RED | 1 |
| 25 | 95028 | AIR SPRING SUPPLY, 40 BLACK | 1 |
| 26 | 55824 | SUPPLY LINE, 65 BLUE | 1 |
| 27 | 55828 | SUPPLY LINE, 19-1/4 BLUE | 1 |
| 28 | 55751 | TANK TO AIR REGULATOR, 44 BLACK | 1 |
| 29 | 55827 | EMERGENCY LINE, 19-1/2 RED | 1 |
| 30 | 54469 | SUPPLY LINE, 23-1/2 BLUE | 1 |
| 31 | 94921 | AIR SPRING SUPPLY, 54 BLACK | 1 |
| 32 | 55634 | SUPPLY LINE, 15 BLUE | 1 |
| | | | |
| | | | |
| | | | |
| | | | |





FIGURE 29
OPTIONAL TDOAIR54
AIR RIDE SUSPENSION IN LIEU OF SPRING SUSPENSION

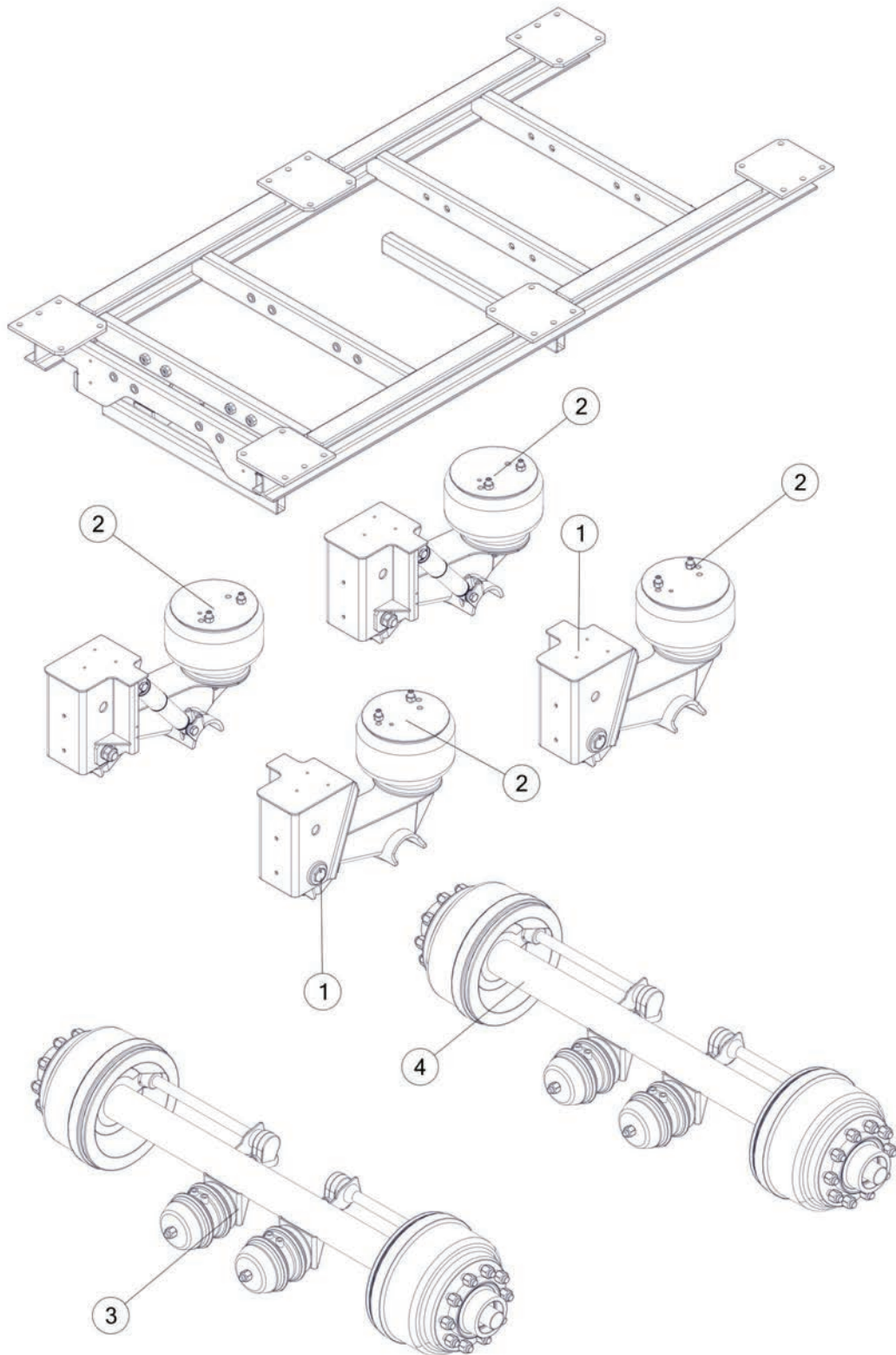




FIGURE 30

OPTIONAL TDOESST40

ELECTRIC DRIVE SIDE-TO-SIDE TARP

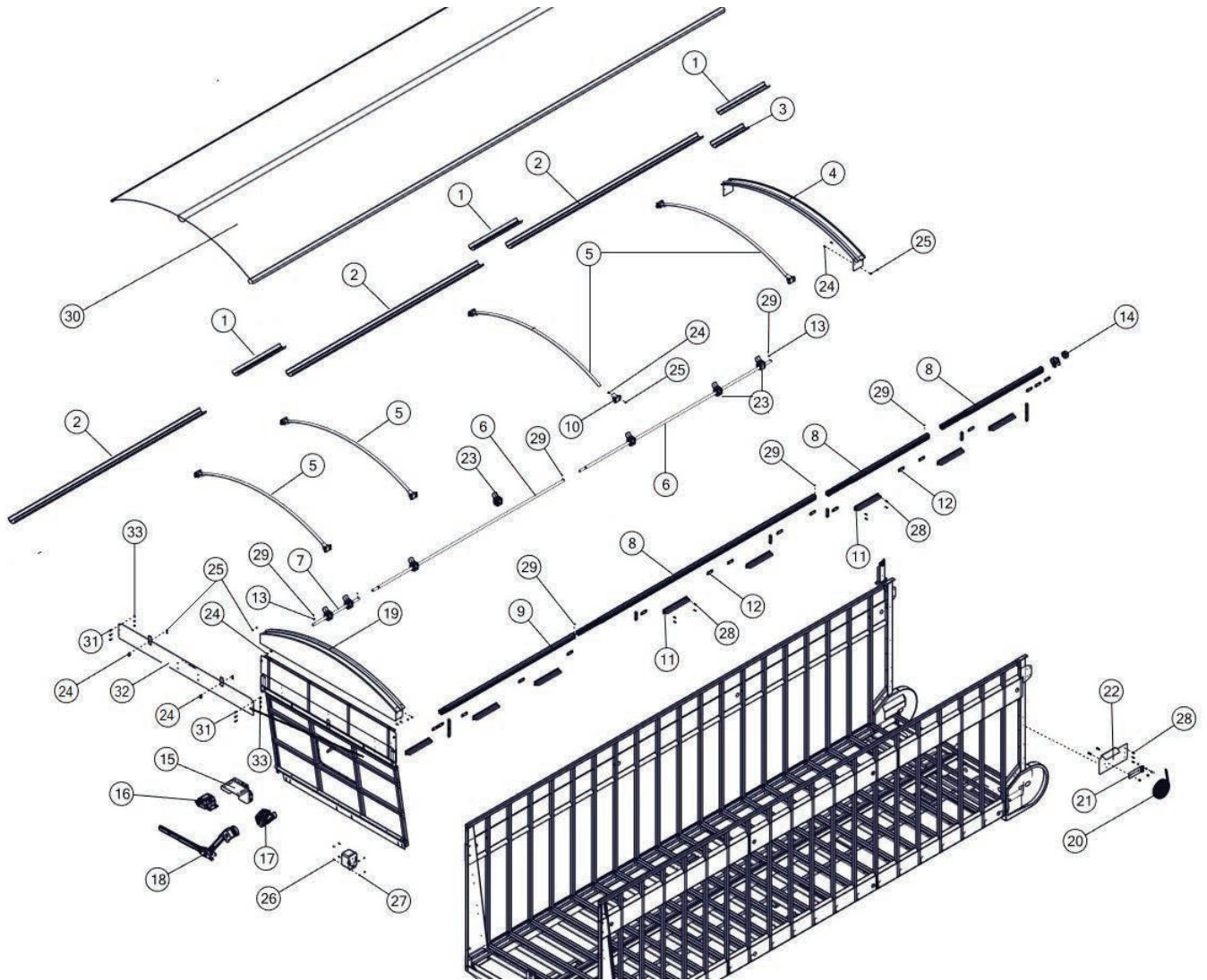




FIGURE 30
OPTIONAL TDOESST40
ELECTRIC DRIVE SIDE-TO-SIDE TARP

| REF # | PART # | DESCRIPTION | QTY |
|-------|-----------|---|-----|
| 1 | 92882 | RIDGE POLE SPLICE | 3 |
| 2 | 92818 | RIDGE POLE, | 3 |
| 3 | 92821 | RIDGE POLE, 72 | 1 |
| 4 | 93117 | END CAP ARCH | 1 |
| 5 | 93115 | BOW | 4 |
| 6 | 92823 | TARP POLE | 3 |
| 7 | 92824 | TUBE, 73 | 1 |
| 8 | 92807 | AXLE, 3 MIDDLE | 3 |
| 9 | 92808 | AXLE, FRONT | 1 |
| 10 | 93408 | BRACKET, BOW | 8 |
| 11 | 92813 | LOCKING LIP | 8 |
| 12 | 92812 | TARP CLIP | 12 |
| 13 | YWFL08005 | WASHER, FLAT, 1/4 USS | 2 |
| 14 | 92814 | CAP | 1 |
| 15 | 92829 | BRACKET | 1 |
| 16 | 92828 | PIVOT ASSEMBLY | 1 |
| 17 | 92836 | TARP MOTOR | 1 |
| 18 | 92833 | PIVOT ARM ASSEMBLY | 1 |
| 19 | 92792 | END CAP | 1 |
| 20 | 92797 | SPOOL, ROLL RITE | 1 |
| 21 | 92801 | BRACKET, MOUNTING SPOOL | 1 |
| 22 | 89901 | TARP SPRING BRACKET | 1 |
| 23 | 92811 | TARP STOP | 9 |
| 24 | YBFB10001 | BOLT FLANGE, 5/16 X 1 G5 | 28 |
| 25 | YNFG10005 | NUT FLANGE, 5/16 GF | 28 |
| 26 | YBFB08100 | BOLT FLANGE, 1/4 X 1 G5 | 4 |
| 27 | YNFG08010 | NUT FLANGE, 1/4 GF | 4 |
| 28 | YSWH10005 | METAL SCREW, HEX WASH HD, 5/16-18 X 1-1/4 | 36 |
| 29 | GM234 | RIVET, 3/16 DIA, .376 - .50 GRIP | 20 |
| 30 | 93116 | TARP, 40 FT | 1 |
| 31 | YBFB12125 | BOLT FLANGE, 3/8 X 1-1/4 G5 | 10 |
| 32 | 93433 | PLATE, TARP MOUNT | 1 |
| 33 | YNFG12006 | NUT FLANGE, 3/8 GF | 12 |
| * | 92726 | TARP RETURN | 1 |
| * | 92806 | ROLL RITE KIT, 40FT | 1 |
| * | 92827 | POWER ARM, ROLL RITE | 1 |
| | | | |
| | | | |





FIGURE 31
OPTIONAL TDOEAC
ELECTRIC ACTUATOR CONTROL FLIP DOWN FRONT

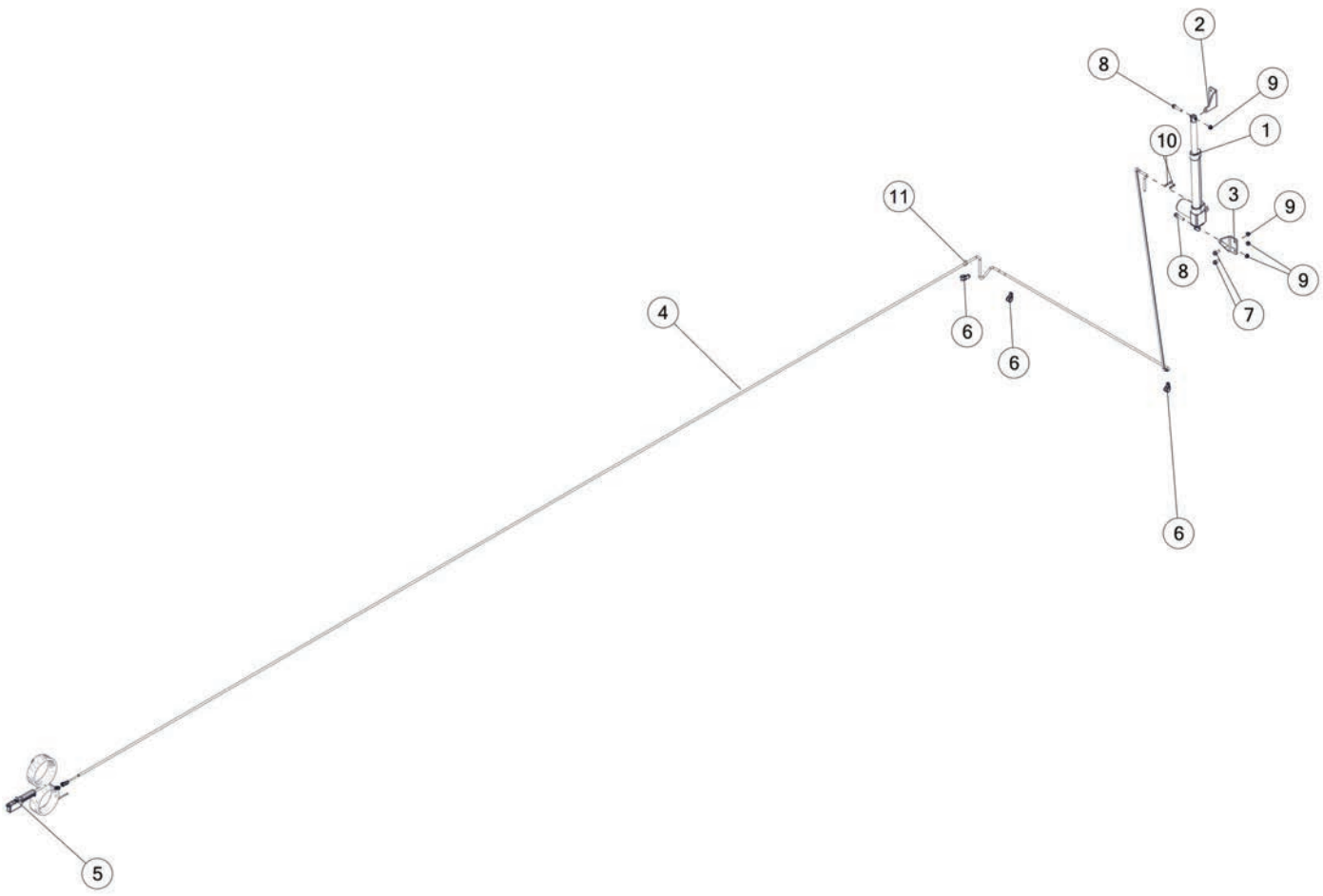




FIGURE 32
OPTIONAL TIRES
TWP425AW / TWP425SW

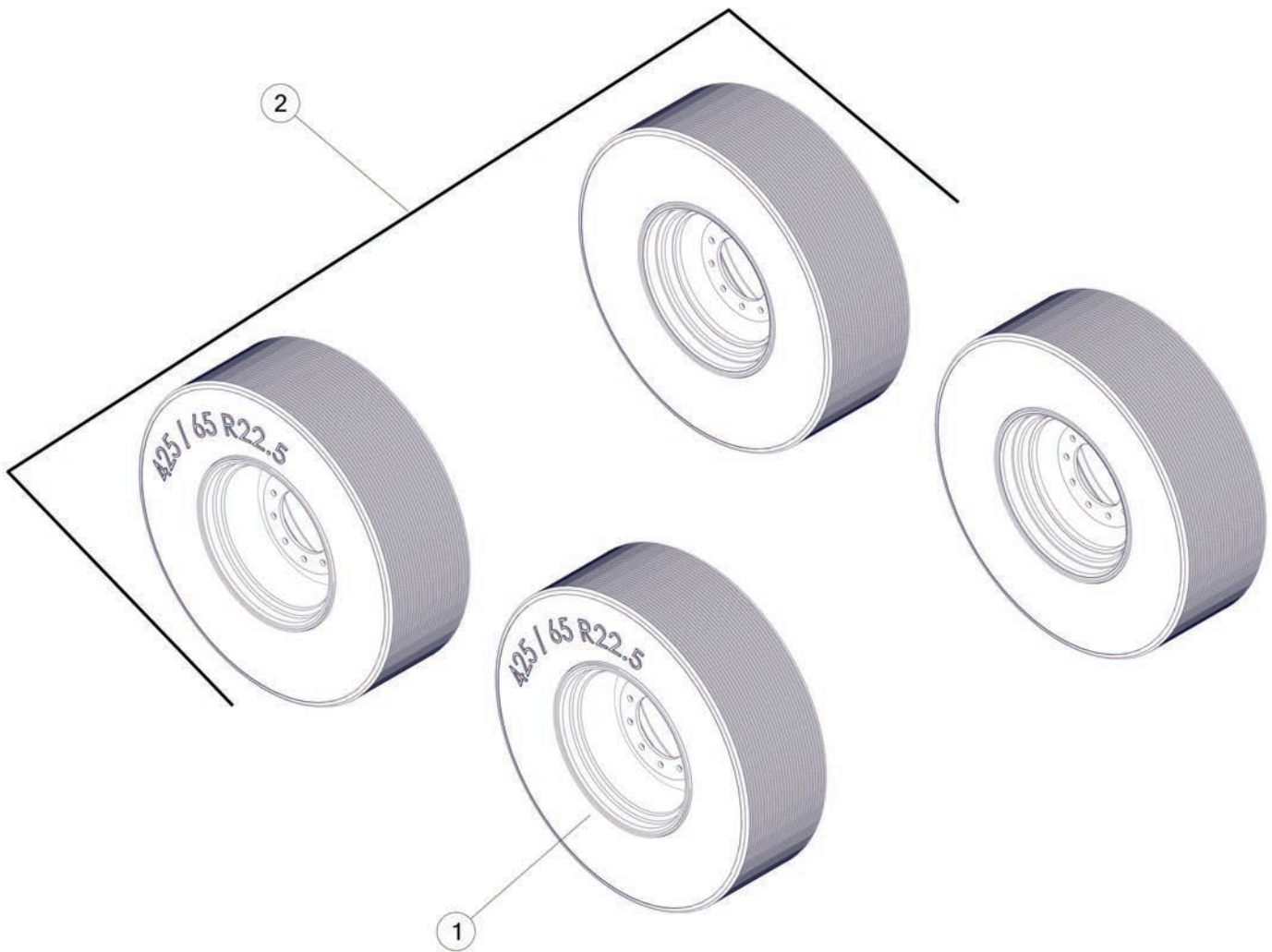




FIGURE 33
OPTIONAL TIRES
TWP455AW / TWP455SW

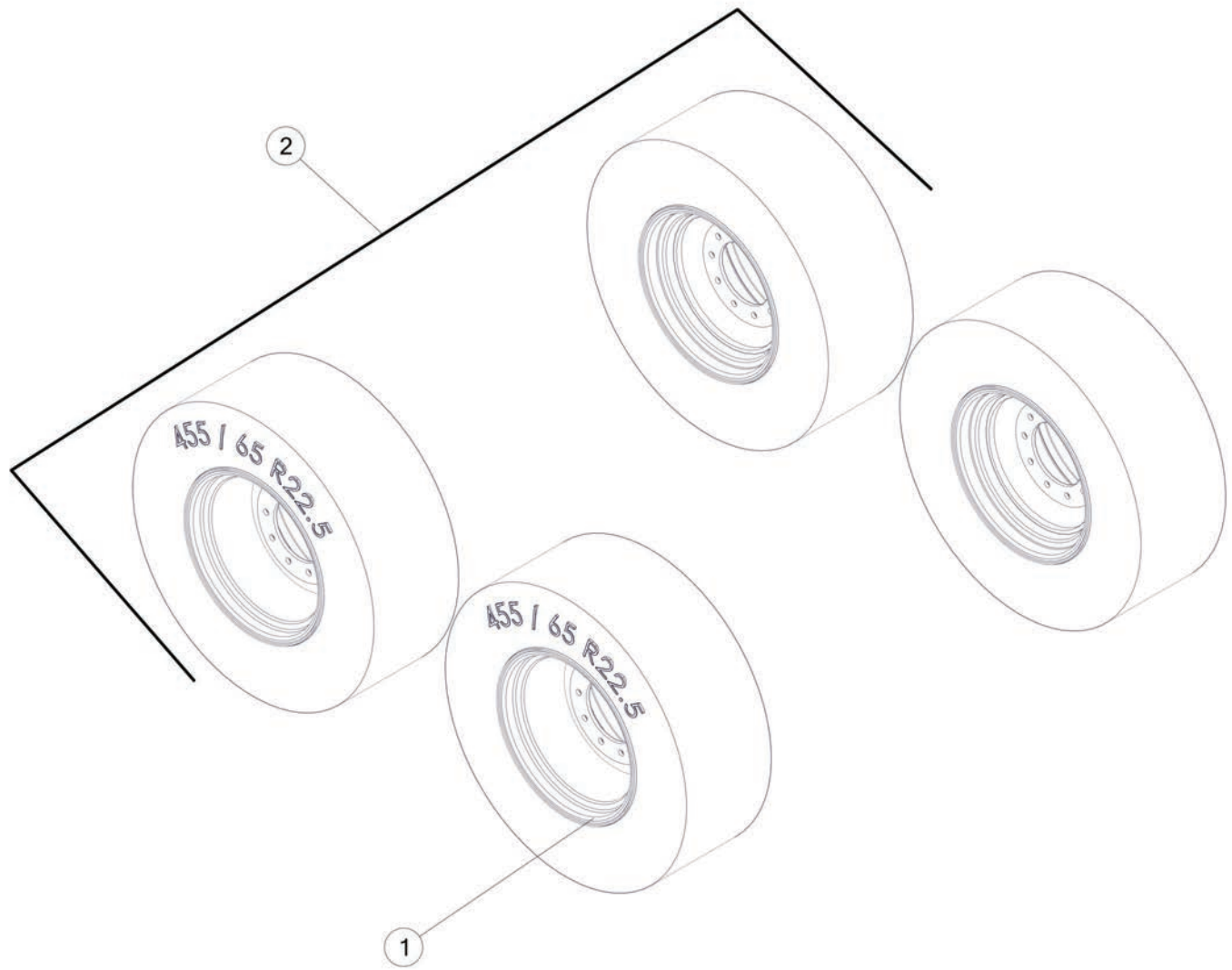




FIGURE 34
OPTIONAL TIRES
TWP825AW / TWP825SW

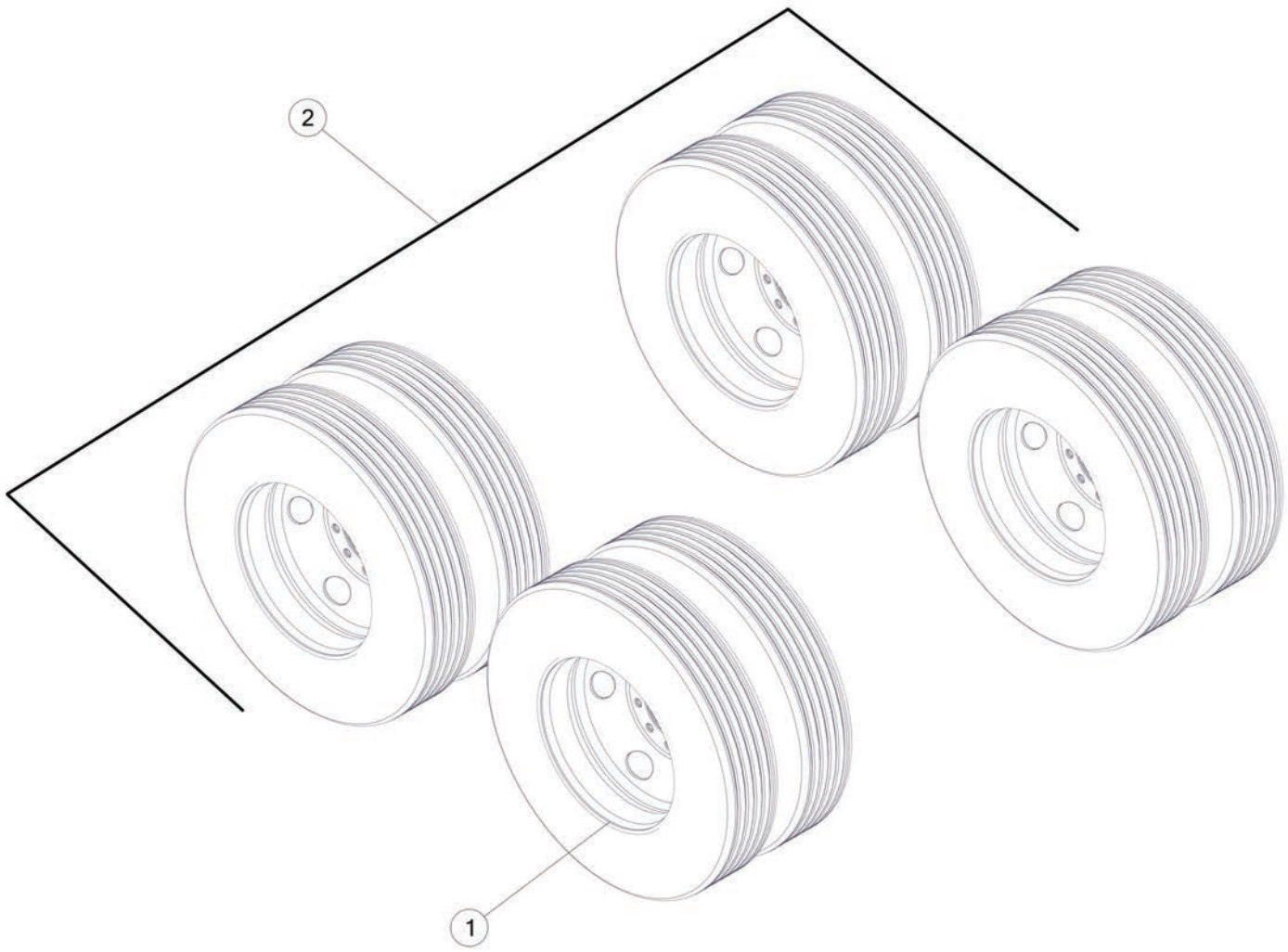
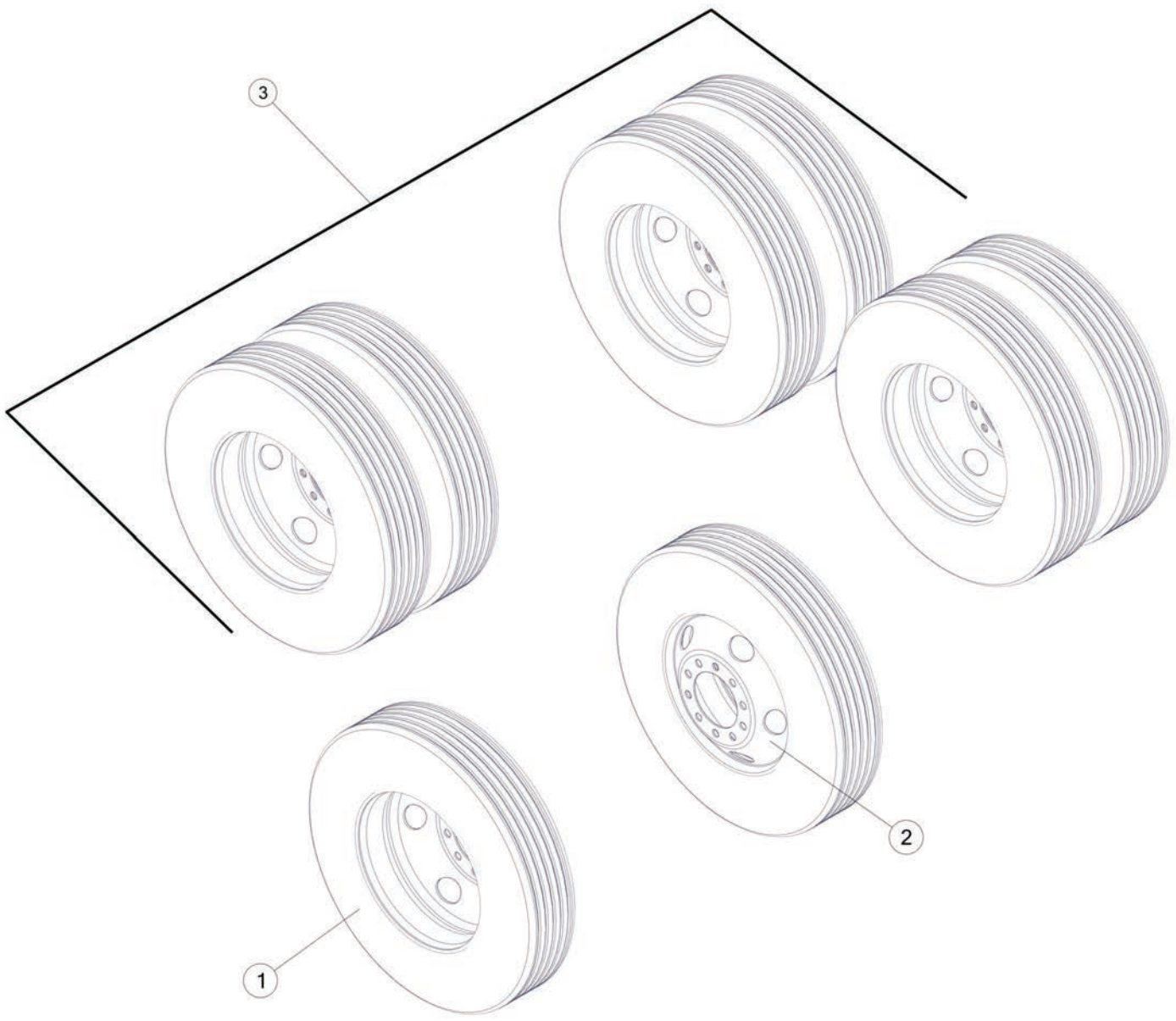




FIGURE 35
OPTIONAL TIRES
TWP825AW/SW





H&S MFG. CO.
products approved
for the
FEMA
SEAL OF QUALITY



Manufactured by:
H&S MANUFACTURING CO., INC.
2608 S. HUME AVE. MARSHFIELD, WI 54449
(715) 387-3414 | hsmfgco.com

