

H&S

PARTS BOOK

TD1140 TOP DOG FORAGE BOX



Revision #02

Starting Ser. #4ULJB4223LS002005

HSMFG0720

PART#81386

Manufactured by
H&S MANUFACTURING CO., INC.
2608 S. HUME AVE. MARSHFIELD, WI 54449
(715) 387-3414 | hsmfgco.com



CONTENTS

Instructions for Ordering Parts	1
Figure 1 - Body Panels LH	2-3
Figure 2 - Body Panels RH	4-5
Figure 3 - Front Panel & Components	6-7
Figure 4 - Window & Components	8-9
Figure 5 - Front Guards & Components	10-11
Figure 6 - Gladhands & Components.....	12-13
Figure 7 - Floor & Components	14-15
Figure 8 - Chain & Components.....	16-17
Figure 9 - Idler Shaft Components	18-19
Figure 10 - Drive Shaft Components.....	20-21
Figure 11 - Drive Shaft Guards	22-23
Figure 12 - Drive Sprocket LH	24-25
Figure 13 - Drive Sprocket RH	26-27
Figure 14 - Hydraulics	28-29
Figure 15 - Gate Delay Optional.....	30-31
Figure 16 - Barn Doors Optional.....	32-33
Figure 17 - Hand Controller	34-35
Figure 18 - Bumper & Components	36-37
Figure 19 – Air Lines & Components	38-39
Figure 20 - Air Tank & Components	40-41
Figure 21 - Air Valve & Components	42-43
Figure 22 - Landing Gear & Components	44-45
Figure 23 - Camshaft & Components	46-47
Figure 24 - Tail Light & Components	48-49
Figure 25 - Lights	50-51
Figure 26 – Spring Suspension	52-53
Figure 27 - Hub & Components	54-55
Figure 28 - Brakes & Components	56-57
Figure 29 - Tarp & Components	58-59
Figure 30 - Optional Electric Actuator Control Flip Down	60-61
Figure 31 - Optional Electric Drive Side to Side Tarp	62-63
Figure 32 - Flow Control	64-65
Figure 33 - Grain Kit	66-67
Figure 34 - Screen Filler Kit	68-69
Figure 35 - Optional Roof Hood	70-71
Parts Notes	72

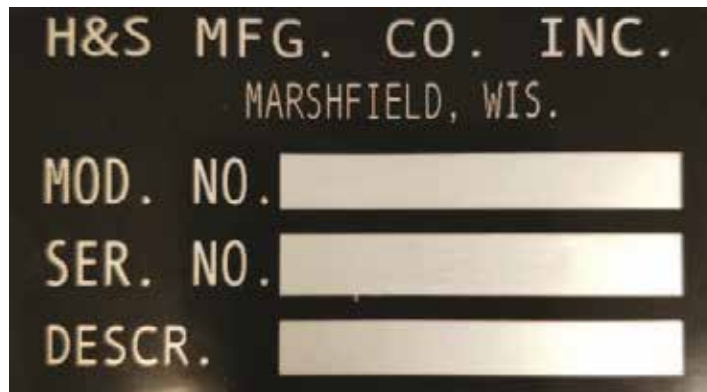
INSTRUCTIONS FOR ORDERING PARTS

All service parts should be ordered through your authorized H&S dealer. They will be able to give you faster service if you will provide them with the following:

1. Model & Serial Number - Both can be located on the left frame stringer by the jack handle.
2. All references to left or right apply to the machine as viewed from the rear.
3. Parts should not be ordered from illustration only. Please order complete part number.
4. If your dealer has to order parts - give shipping instructions:

VIA truck - large pieces (please specify local truck lines)

VIA United Parcel Service (include full address)



PLEASE RECORD NUMBERS FOR YOUR UNIT FOR QUICK REFERENCE

ABOUT IMPROVEMENTS

H&S IS CONTINUALLY STRIVING TO IMPROVE IT'S PRODUCTS

We must therefore, reserve the right to make improvements or changes whenever it becomes practical to do so, without incurring any obligation to make changes or additions to the equipment previously sold.

FIGURE 1
BODY PANELS LH

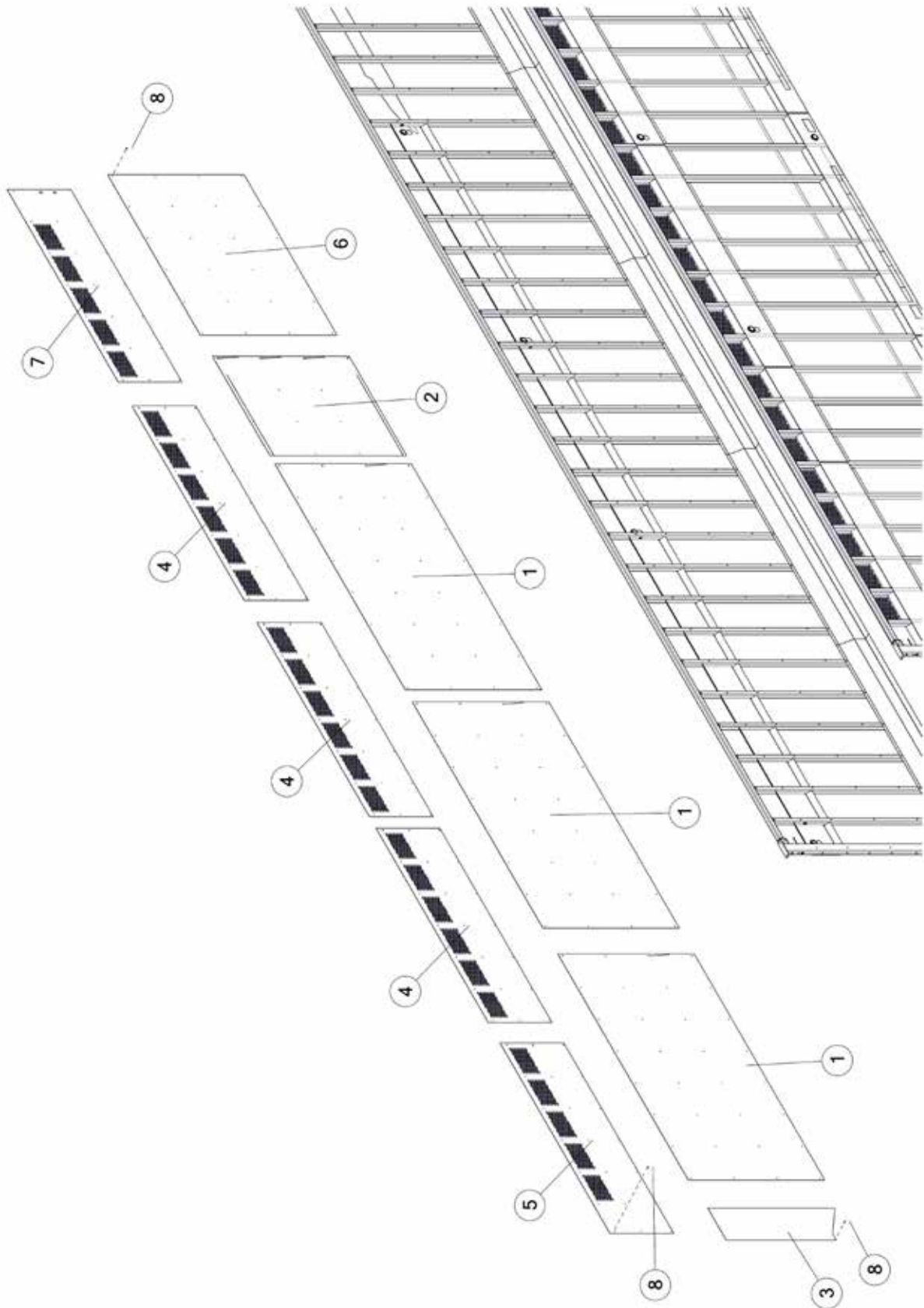


FIGURE 1
BODY PANELS LH

<u>ITEM</u>	<u>QTY</u>	<u>PART#</u>	<u>DESCRIPTION</u>
1	2	78452	CENTER PANEL
2	1	78822	SHORT FILLER PANEL
3	1	79782	REAR SIDE PANEL
4	3	81793	CENTER EXTENSION SIDE
5	1	81852	REAR EXTENSION SIDE
6	1	81979	FRONT PANEL
7	1	82418	FRONT EXTENSION SIDE
8	192	1043	RIVET

FIGURE 2
BODY PANELS RH

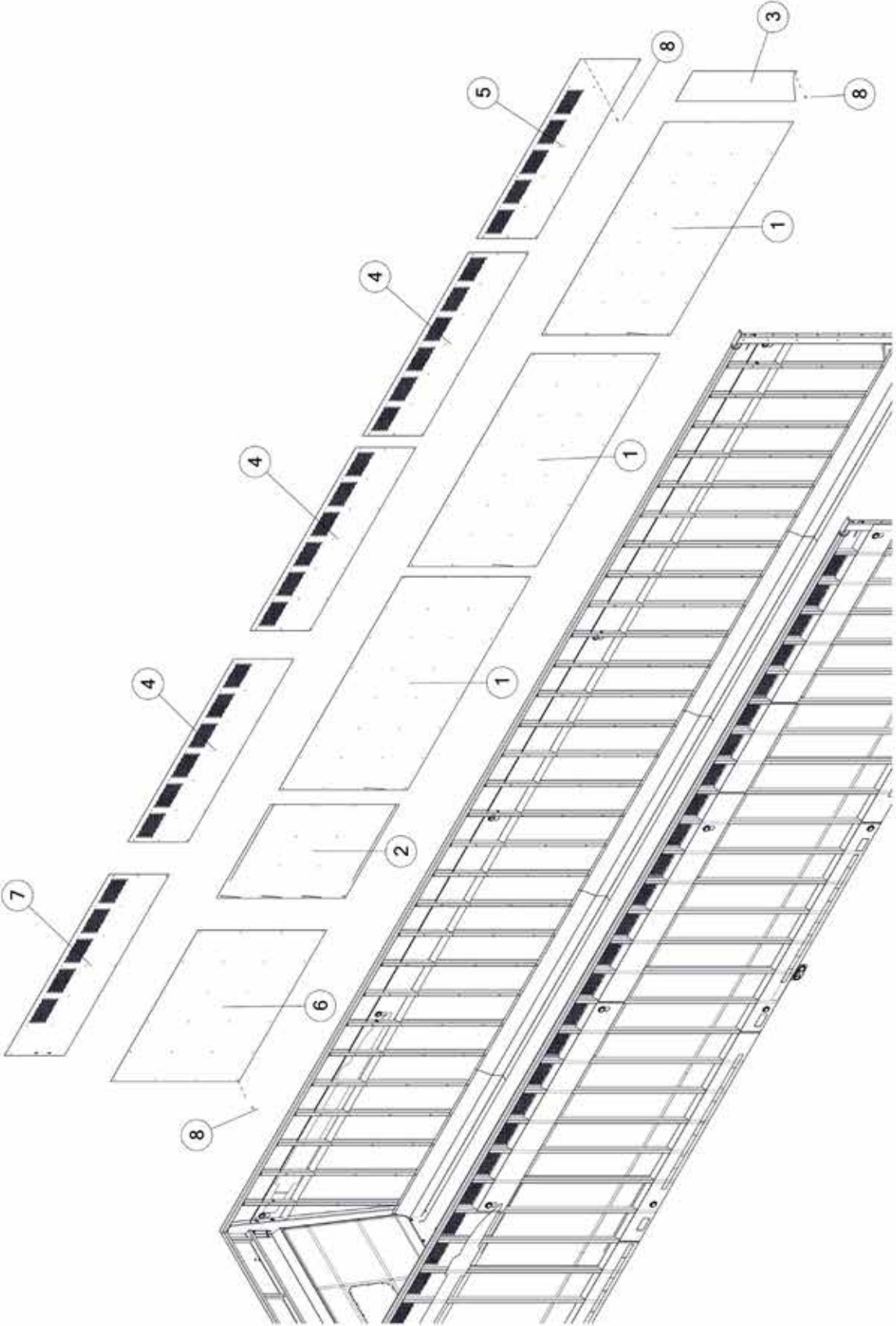


FIGURE 2
BODY PANELS RH

<u>ITEM</u>	<u>QTY</u>	<u>PART#</u>	<u>DESCRIPTION</u>
1	2	78452	CENTER PANEL
2	1	78822	SHORT FILLER PANEL
3	1	79482	REAR SIDE PANEL
4	3	81793	CENTER EXTENSION SIDE
5	1	81852	REAR EXTENSION SIDE
6	1	81979	FRONT PANEL
7	1	82418	FRONT EXTENSION SIDE
8	192	1043	RIVET

FIGURE 3
FRONT PANEL & COMPONENTS

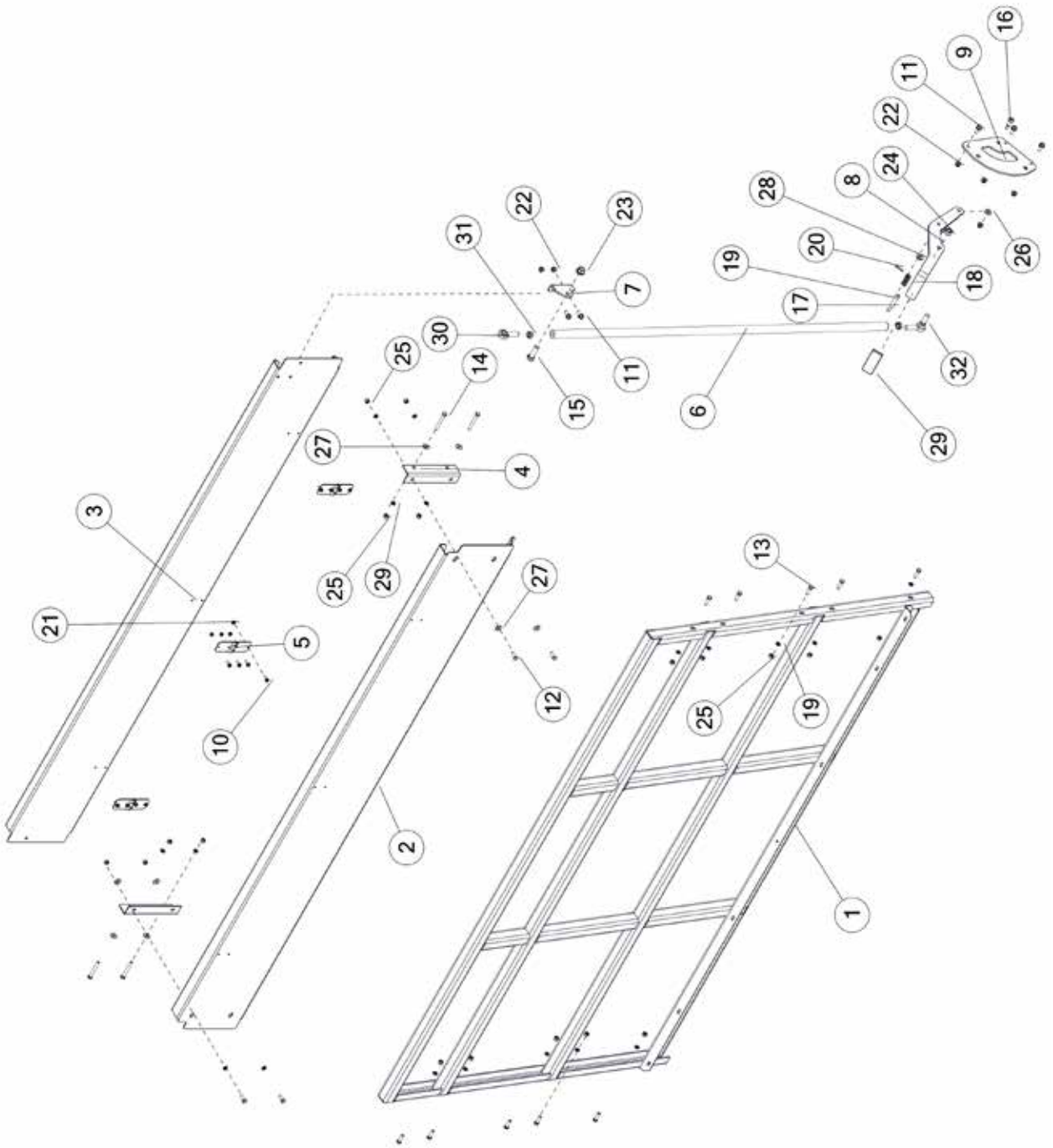


FIGURE 3

FRONT PANEL & COMPONENTS

<u>ITEM</u>	<u>QTY</u>	<u>PART#</u>	<u>DESCRIPTION</u>
1	1	78093	FRAME
2	1	82135	FRONT UPPER PANEL
3	1	82138	UPPER PANEL
4	2	02306G01	ANGLE
5	3	82134	HINGE
6	1	82377	FOLD DOWN FRONT LINK
7	1	82378	UPPER BRACKET
8	1	82372	LEVER
9	1	78012	VARIABLE STOP
10	9	YBFB08075	BOLT FLANGE, 1/4 X 3/4 G5
11	3	YBFB12003	BOLT FLANGE, 3/8 X 1 G5
12	4	YBFB12003	BOLT FLANGE, 3/8 X 1 G5
13	10	YBFB12125	BOLT FLANGE, 3/8 X 1-1/4 G5
14	4	YBFB12300	BOLT FLANGE, 3/8 X 3 G5
15	1	YBFB20200	BOLT FLANGE, 5/8 X 2 G5
16	1	YBSU12012	BOLT, SHOULDER, 1/2 X 7/8
17	1	IFB109	PIN
18	1	IFB110	LATCH SPRING
19	14	YWLO12005	WASHER LOCK, 3/8
20	1	YPCT05005	COTTER PIN, 5/32 X 1
21	9	YNFG08010	NUT FLANGE, 1/4
22	5	YNFG12006	NUT FLANGE, 3/8
23	1	YNFG20005	NUT FLANGE, 5/8
24	2	YNHX20008	NUT HEX, 5/8-18 NAA ZC
25	14	YNFG12006	NUT FLANGE, 3/8
26	1	78027	SPACER
27	8	YWFL12005	WASHER FLAT, 3/8
28	1	YWFL16010	WASHER FLAT, 1/2
29	1	S403	HANDLE GRIP
30	1	71593	BRG, 5/8 ROD END LH
31	2	YNJM20011	NUT JAM, 5/8 G5 LH
32	1	71598	BRG, BALL JOINT 5/8 -18 M

FIGURE 4
WINDOW & COMPONENTS

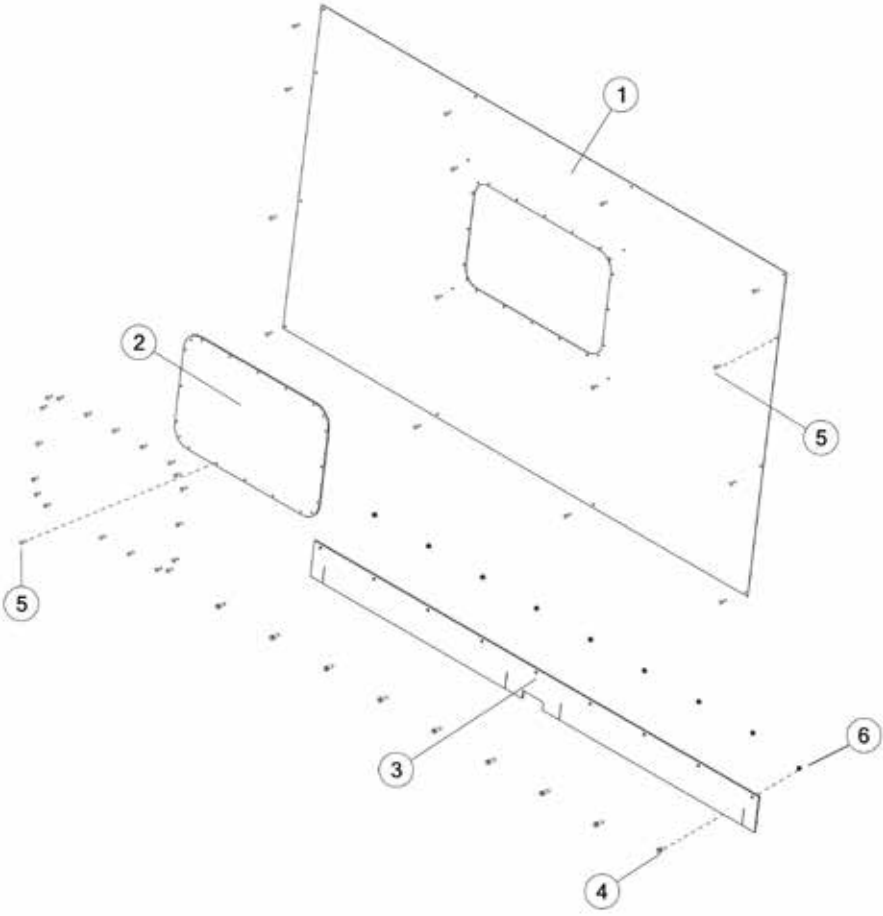


FIGURE 4
WINDOW & COMPONENTS

<u>ITEM</u>	<u>QTY</u>	<u>PART#</u>	<u>DESCRIPTION</u>
1	1	78092	FRONT PANEL
2	1	55839	WINDOW WITH HOLES
3	1	78274	FRONT SEAL RUBBER
4	9	YBFB12125	BOLT FLG, 3/8 X 1-1/4 G5
5	20	1043	HUCK RIVET
6	9	YNFG12006	NUT FLG, 3/8

FIGURE 5 **FRONT GUARDS & COMPONENTS**

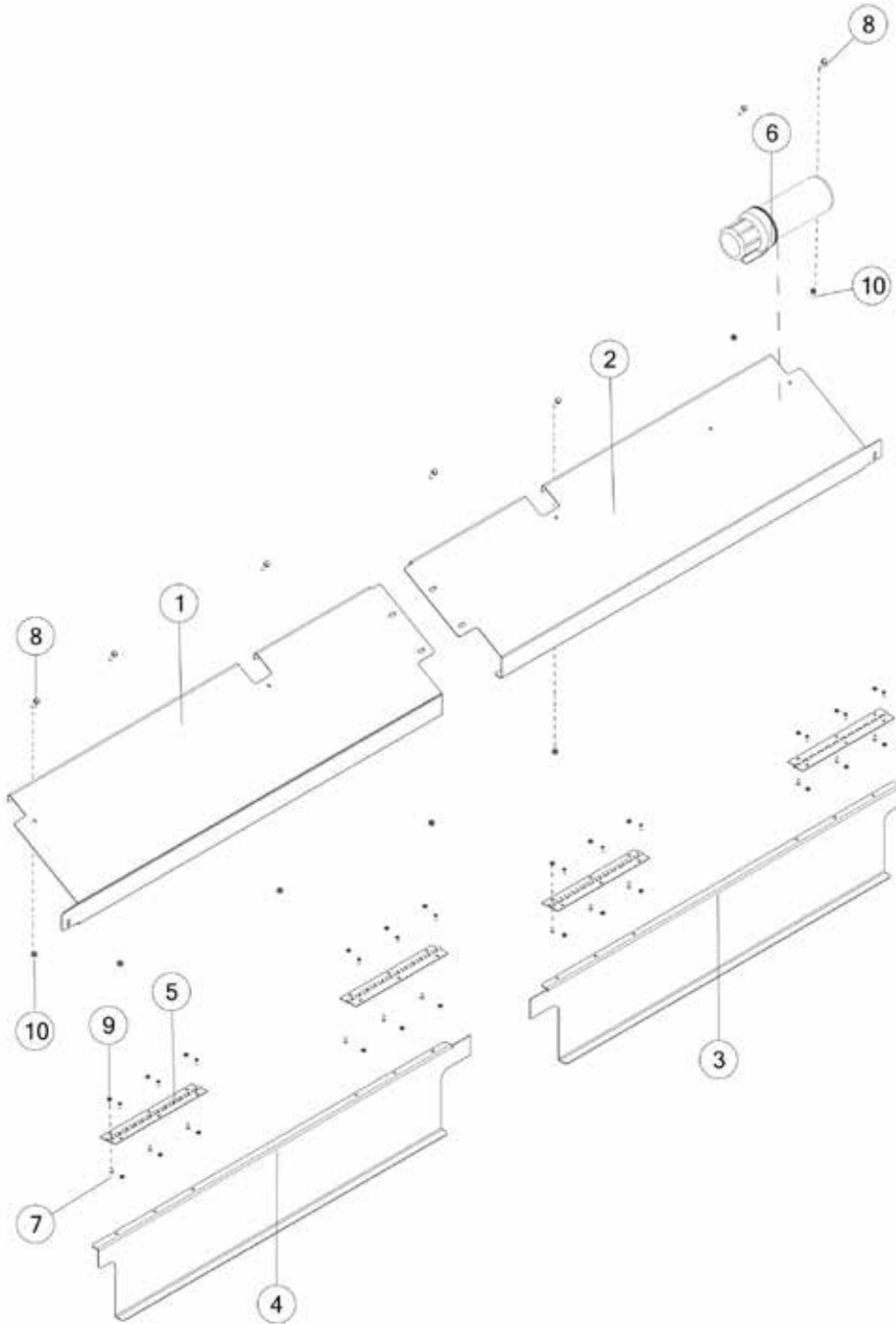


FIGURE 5
FRONT GUARDS & COMPONENTS

<u>ITEM</u>	<u>QTY</u>	<u>PART#</u>	<u>DESCRIPTION</u>
1	1	BBS72	FRONT SHIELD
2	1	BBST14G28B	FRONT SHIELD SLANT LH
3	1	BBST14G20B	FRONT SHIELD BOTTOM LH
4	1	BBS73B	FRONT SHIELD BOTTOM LH
5	4	BBSTMS15	HINGE 12 IN
6	1	S522	MANUAL HOLDER
7	24	YSFM62005	FLAT HEAD CAP SCREW, #8-32 X 1/2
8	8	YBFB08100	BOLT FLG, 1/4 X 1 G5
9	24	YNNY62005	NUT, HEX, #8-32, LKNY
10	8	YNFG08010	NUT FLG, 1/4

FIGURE 6 **GLADHANDS & COMPONENTS**

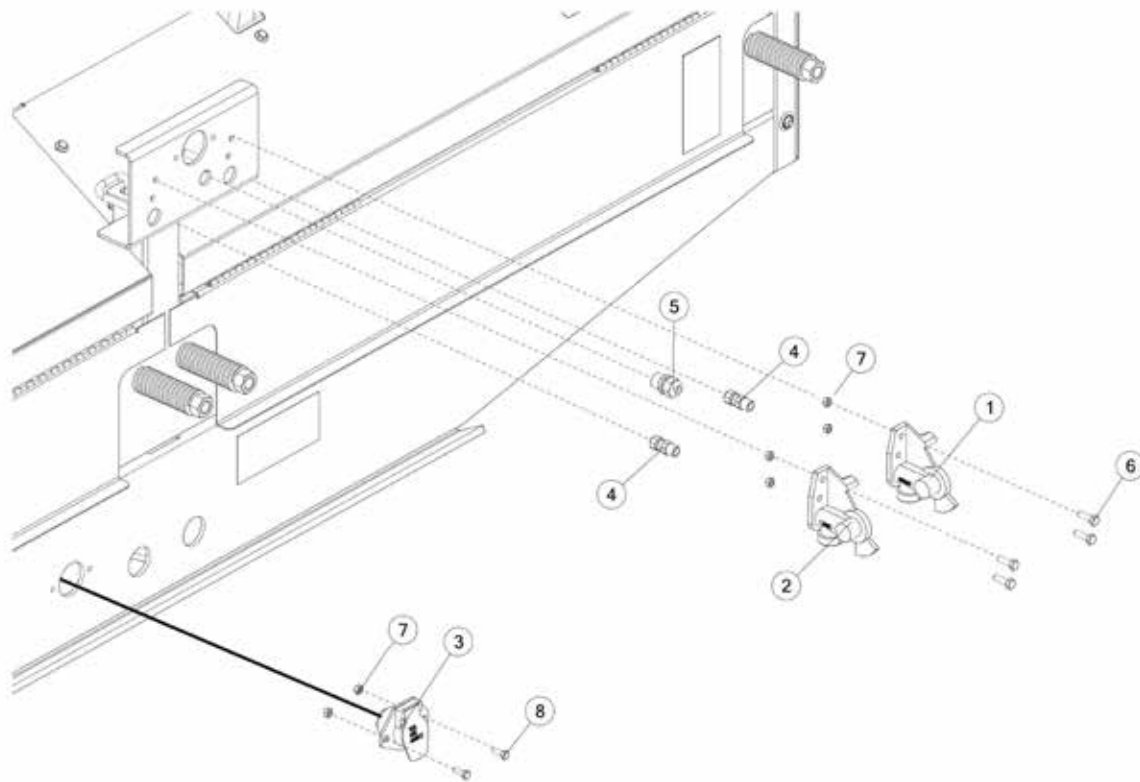


FIGURE 6
GLADHANDS & COMPONENTS

<u>ITEM</u>	<u>QTY</u>	<u>PART#</u>	<u>DESCRIPTION</u>
1	1	1015	37 DEGREE EMERGENCY GLADHAND (RED)
2	1	1014	37 DEGREE SERVICE GLADHAND (BLUE)
3	1	78653	ELEC HARNESS
4	2	1032	MALE CONNECTOR, 3/8
5	1	GD23	STRAIN RELIEF CONNECTOR
6	4	YBHH10010	BOLT HEX, 5/16 X 1 G5
7	6	YNFG08010	NUT FLG, 1/4
8	2	YBFB08075	BOLT FLG, 1/4 X 3/4 G5
*	1	78657	ELEC HARNESS

***MEANS NOT SHOWN**

FIGURE 7 **FLOOR & COMPONENTS**

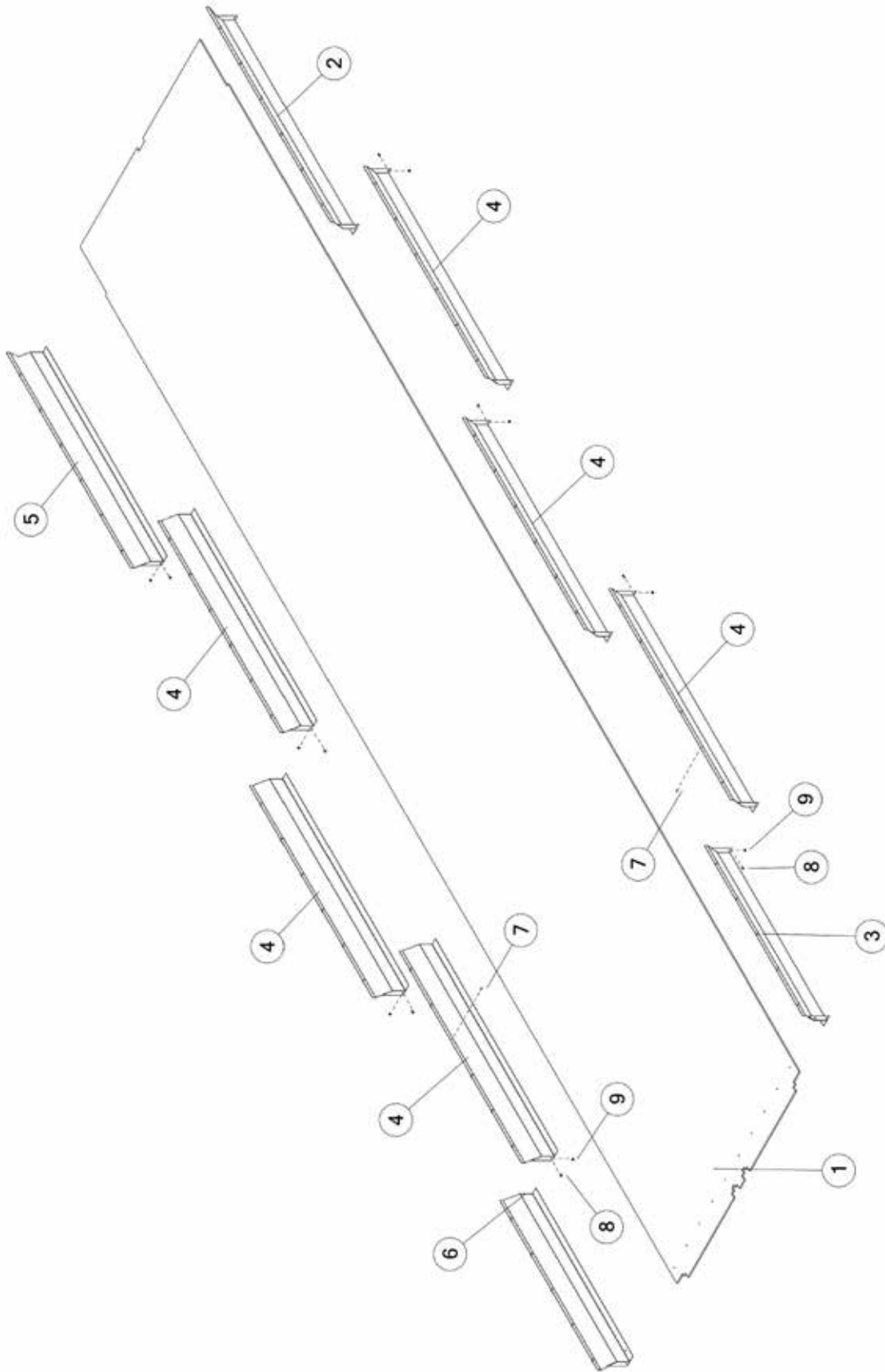


FIGURE 7
FLOOR & COMPONENTS

<u>ITEM</u>	<u>QTY</u>	<u>PART#</u>	<u>DESCRIPTION</u>
1	1	82425	POLY FLOOR
2	1	81940	LH REAR PANEL SLANT
3	1	81945	LH FRONT PANEL SLANT
4	6	81947	CENTER INSIDE PANEL SLANT
5	1	81949	RH REAR PANEL SLANT
6	1	81950	RH FRONT PANEL SLANT
7	58	1043	HUCK RIVET
8	8	YBFB12075	BOLT FLG, 3/8 X 3/4 G5
9	8	YNFG12006	NUT FLG, 3/8

FIGURE 8
CHAIN & COMPONENTS

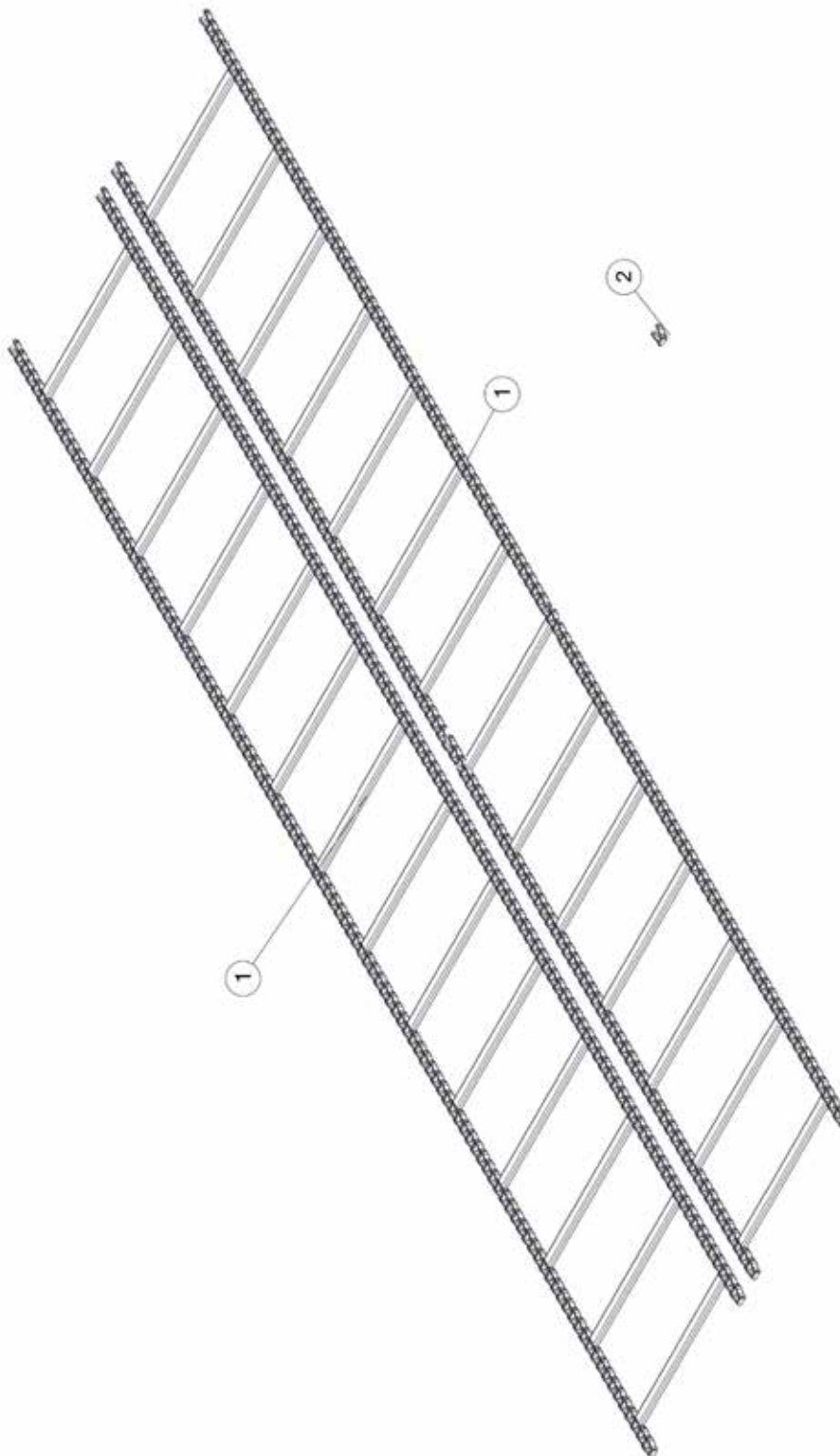


FIGURE 8
CHAIN & COMPONENTS

<u>ITEM</u>	<u>QTY</u>	<u>PART#</u>	<u>DESCRIPTION</u>
1	6	78317	APRON CHAIN, PL88CX112,14 SLATS
2	480	8061	PNTL CHAIN, PL88CX1, CONN LINK
*	2	55815	APRON CHAIN,PL88C X 40,5 SLATS

FIGURE 9 IDLER SHAFT COMPONENTS

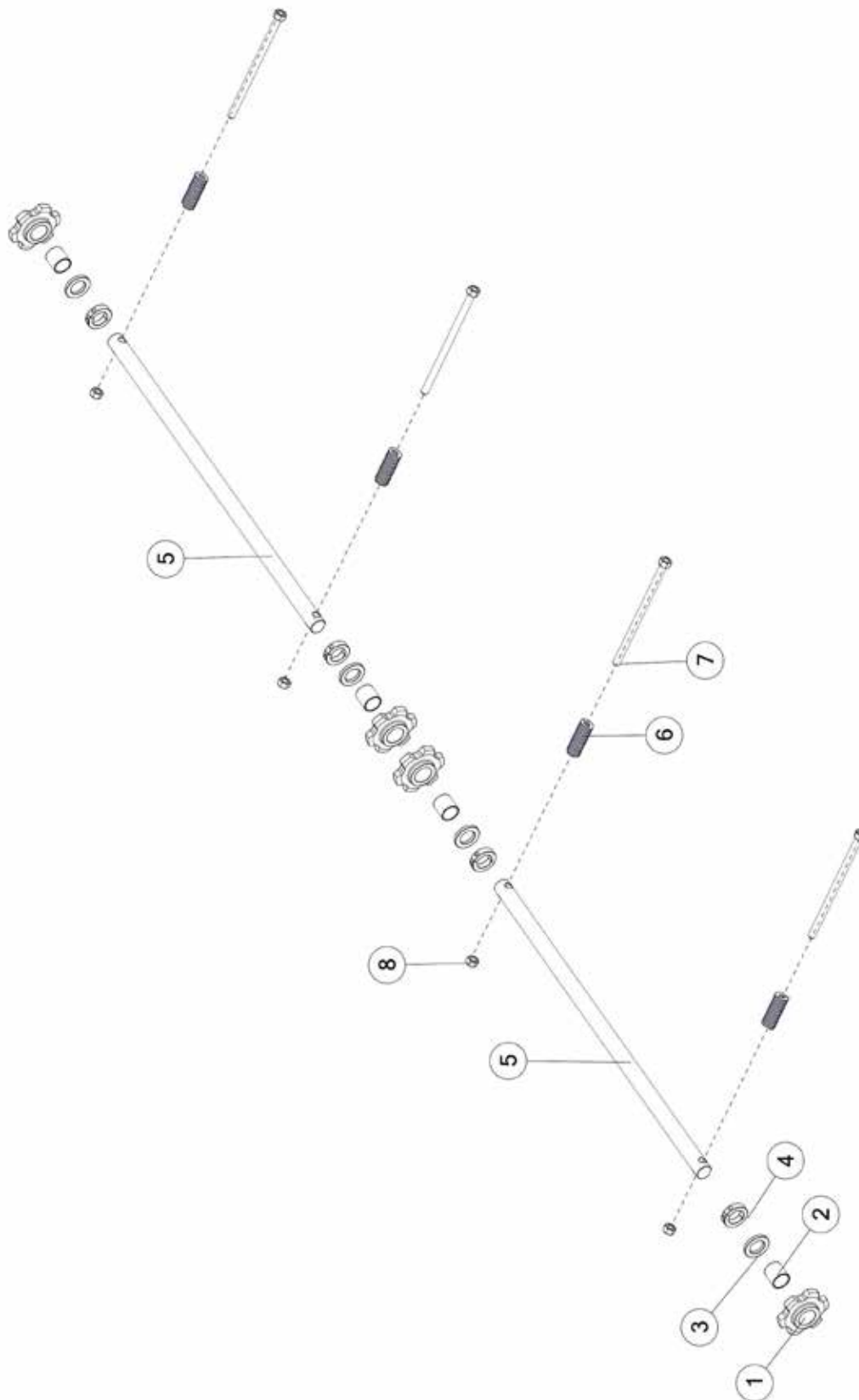


FIGURE 9
IDLER SHAFT COMPONENTS

<u>ITEM</u>	<u>QTY</u>	<u>PART#</u>	<u>DESCRIPTION</u>
1	4	BBSTSH07	IDLER SPROCKET
2	4	RGT3	BUSHING
3	4	BBSTPL05	IDLER SPROCKET POLY SPACER
4	4	8340	STEEL SPLIT SHAFT COLLAR
5	4	BBS29	FRONT IDLER SHAFT
6	7	BBS35	COMPRESSION SPRING
7	7	BBS34	TIGHTENER ROD

FIGURE 10 **DRIVE SHAFT & COMPONENTS**

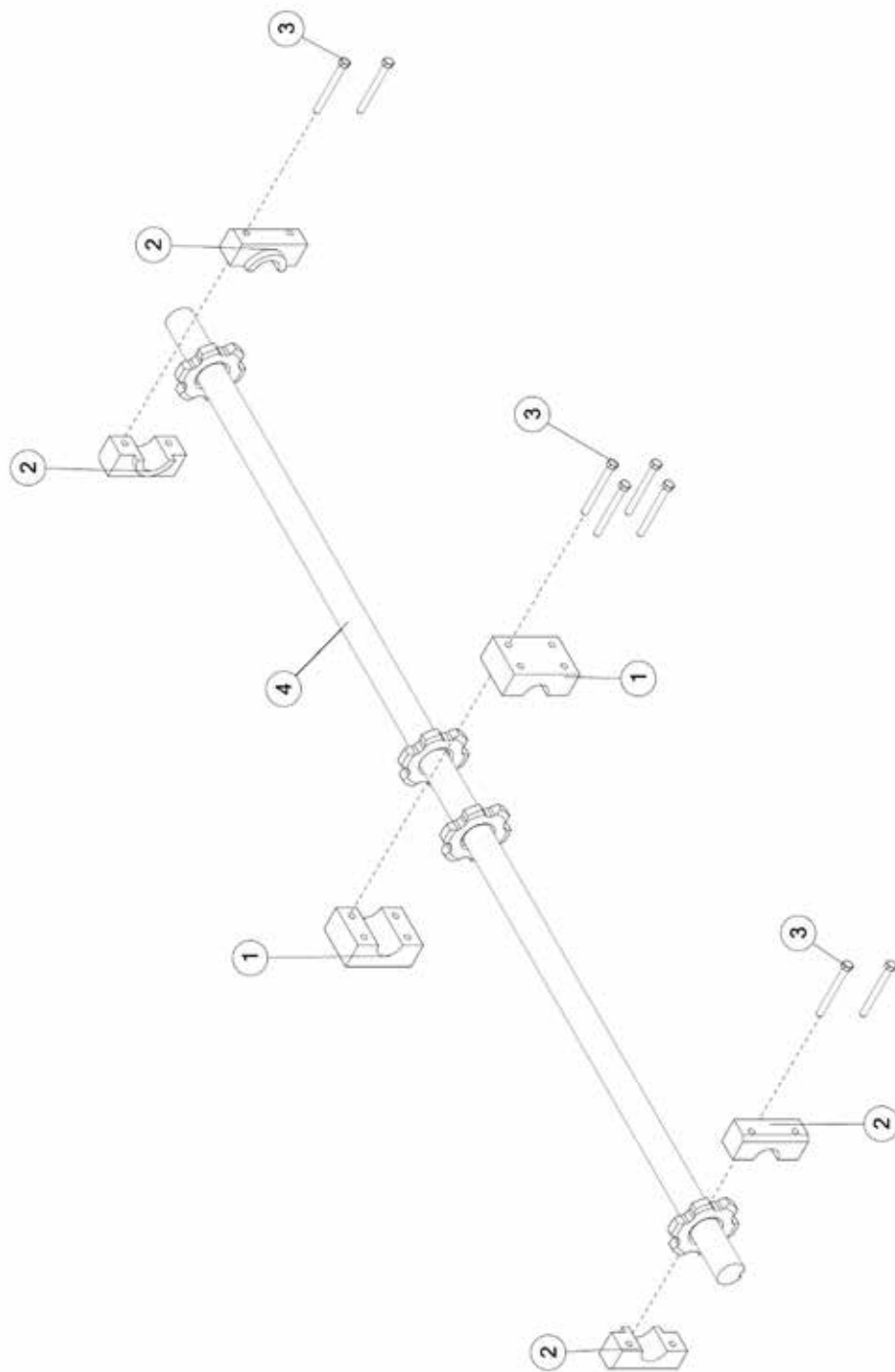


FIGURE 10
DRIVE SHAFT & COMPONENTS

<u>ITEM</u>	<u>QTY</u>	<u>PART#</u>	<u>DESCRIPTION</u>
1	2	BBS62	DRIVE SHAFT BRACKET
2	4	BBS63	OUTER DRIVESHAFT BEARING
3	8	YBFB16500	BOLT FLG, 1/2 X 5 G5
4	1	BBSTWE04	DRIVE SHAFT

FIGURE 11 DRIVE SHAFT GUARDS

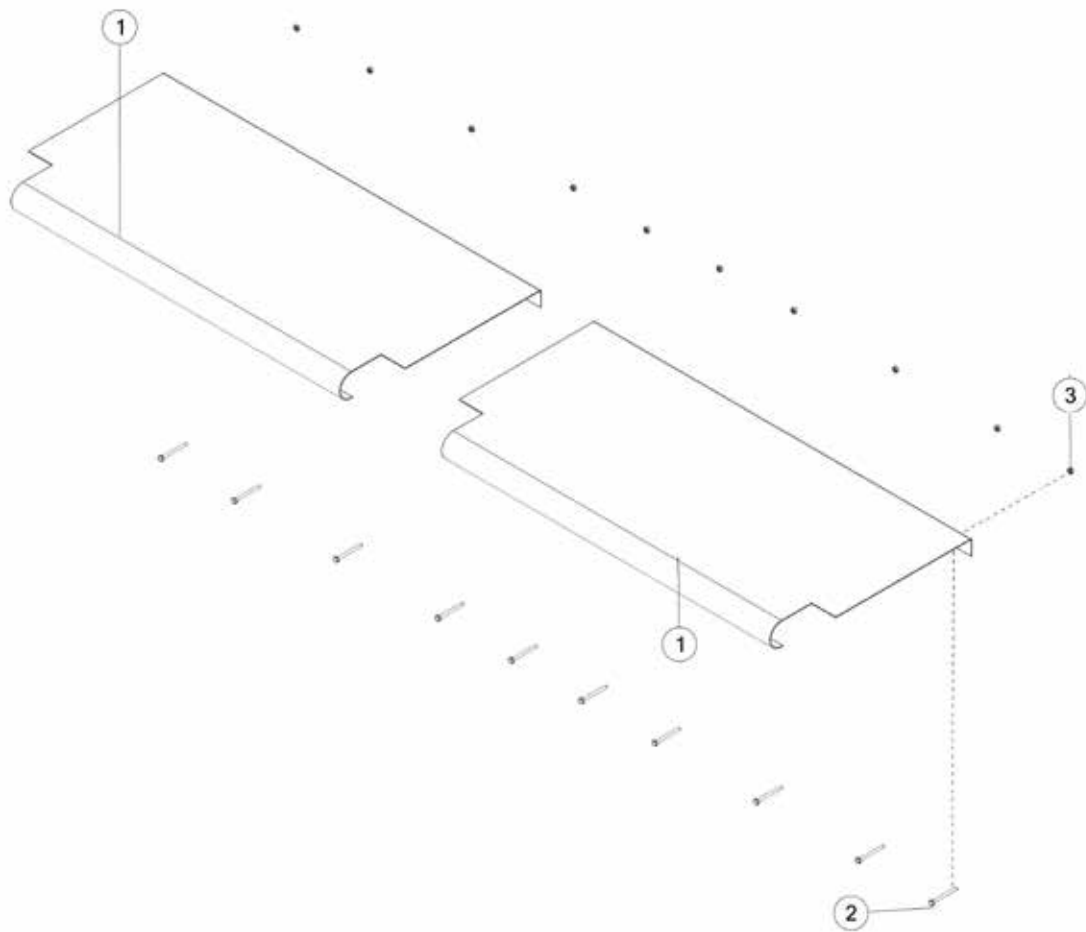


FIGURE 11
DRIVE SHAFT GUARDS

<u>ITEM</u>	<u>QTY</u>	<u>PART#</u>	<u>DESCRIPTION</u>
1	2	BBS76	DRIVE SHAFT GUARD
2	10	YBFB08250	BOLT FLG, 1/4 X 2-1/2 G5
3	10	YNFG08010	NUT FLG, 1/4

FIGURE 12
DRIVE SPROCKET LH

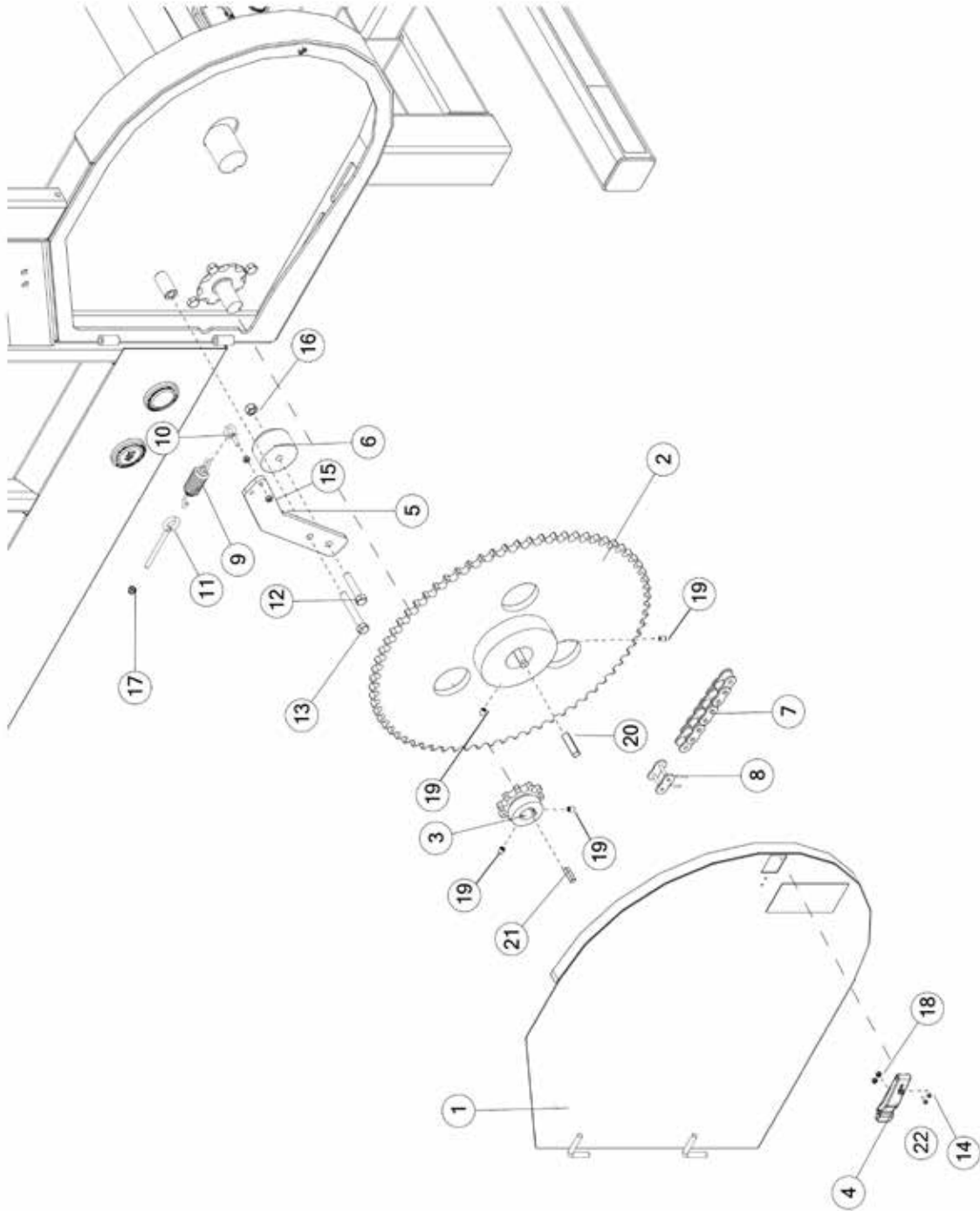


FIGURE 12

DRIVE SPROCKET LH

<u>ITEM</u>	<u>QTY</u>	<u>PART#</u>	<u>DESCRIPTION</u>
1	1	82113B	LH CHAIN CASE SHEILD
2	1	BBS60	DRIVEN SPROCKET
3	1	BBS61	DRIVE SPROCKET
4	1	80180	DRAW LATCH
5	1	BBS9	TIGHTENER BAR
6	1	BBS10	POLY TIGHTENER
7	1	1042	ROLLER CHAIN
8	1	IFB17	CONNECTOR LINK
9	1	GM410	EXTENSION SPRING
10	1	YBTE08005	BOLT TURNED EYE, 1/4 X 1
11	1	YBTE10040	BOLT TURNED EYE, 5/16 X 4
12	1	YBHH16080	BOLT HEX, 1/2 X 2-1/2 G5
13	1	YBFB16400	BOLT FLG, 1/2 X 4 G5
14	2	YSPP62006	SCREW PAN HEAD, #8-32 X 1/2
15	2	YNHX08005	NUT HEX, 1/4
16	1	YNRL16005	NUT HEX, REVERSIBLE-SIDE LOCK, 1/2
17	1	YNFG10005	NUT FLANGE, 5/16
18	2	YNNY62005	NUT HEX, 8-32 G2
19	4	YSKP12010	SCREW SET, 3/8 X 1/2
20	1	BBS59	SQUARE KEY, 1/2 X 2
21	1	G23A	SQUARE KEY, 5/16 X 1-1/4
22	1	YPLY08011	LYNCH PIN, 1/4 X -9/16

FIGURE 13
DRIVE SPROCKET RH

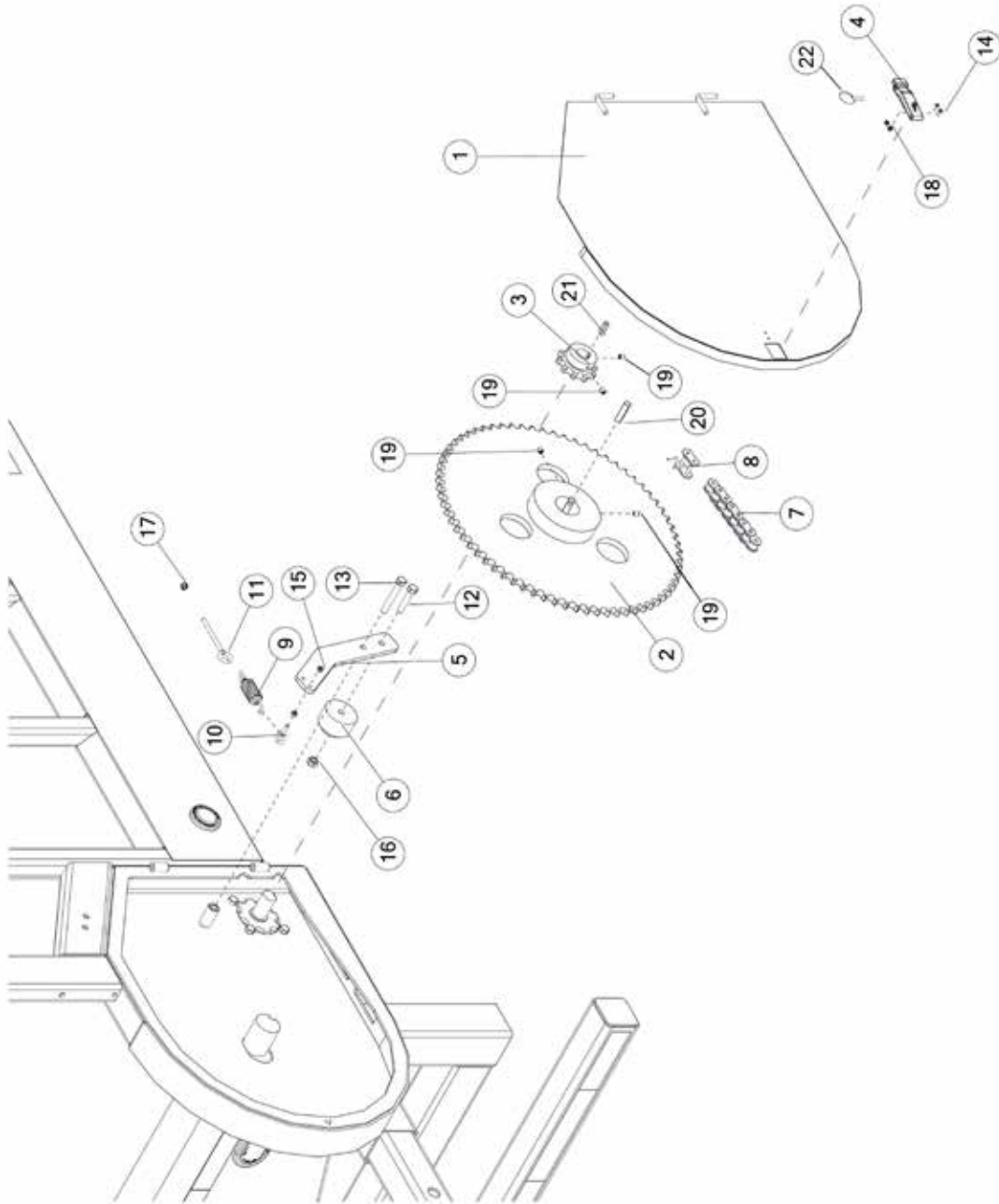


FIGURE 13

DRIVE SPROCKET RH

<u>ITEM</u>	<u>QTY</u>	<u>PART#</u>	<u>DESCRIPTION</u>
1	1	82112B	CHAIN CASE SHIELD RH W/DECAL
2	1	BBS60	DRIVEN SPROCKET
3	1	BBS61	DRIVE SPROCKET
4	1	80180	DRAW LATCH
5	1	BBS9	TIGHTENER BAR
6	1	BBS10	POLY TIGHTENER
7	1	1042	ROLLER CHAIN
8	1	IFB17	CONNECTOR LINK
9	1	GM410	EXTENSION SPRING
10	1	YBTE08005	BOLT TURNED EYE, 1/4 X 1
11	1	YBTE10040	BOLT TURNED EYE, 5/16 X 4
12	1	YBHH16080	BOLT HEX, 1/2 X 2-1/2 G5
13	1	YBFB16400	BOLT FLANGE, 1/2 X 4 G5
14	2	YSPP62006	SCREW PAN HEAD, #8-32 X 1/2
15	2	YNHX08005	NUT HEX, 1/4
16	1	YNRL16005	NUT HEX, REVERSIBLE-SIDE LOCK, 1/2
17	1	YNFG10005	NUT FLANGE, 5/16
18	2	YNNY62005	NUT HEX, 8-32 G2
19	4	YSKP12010	SCREW SET, 3/8 X 1/2
20	1	BBS59	SQUARE KEY, 1/2 X 2
21	1	G23A	SQUARE KEY, 5/16 X 1-1/4

FIGURE 14
HYDRAULICS

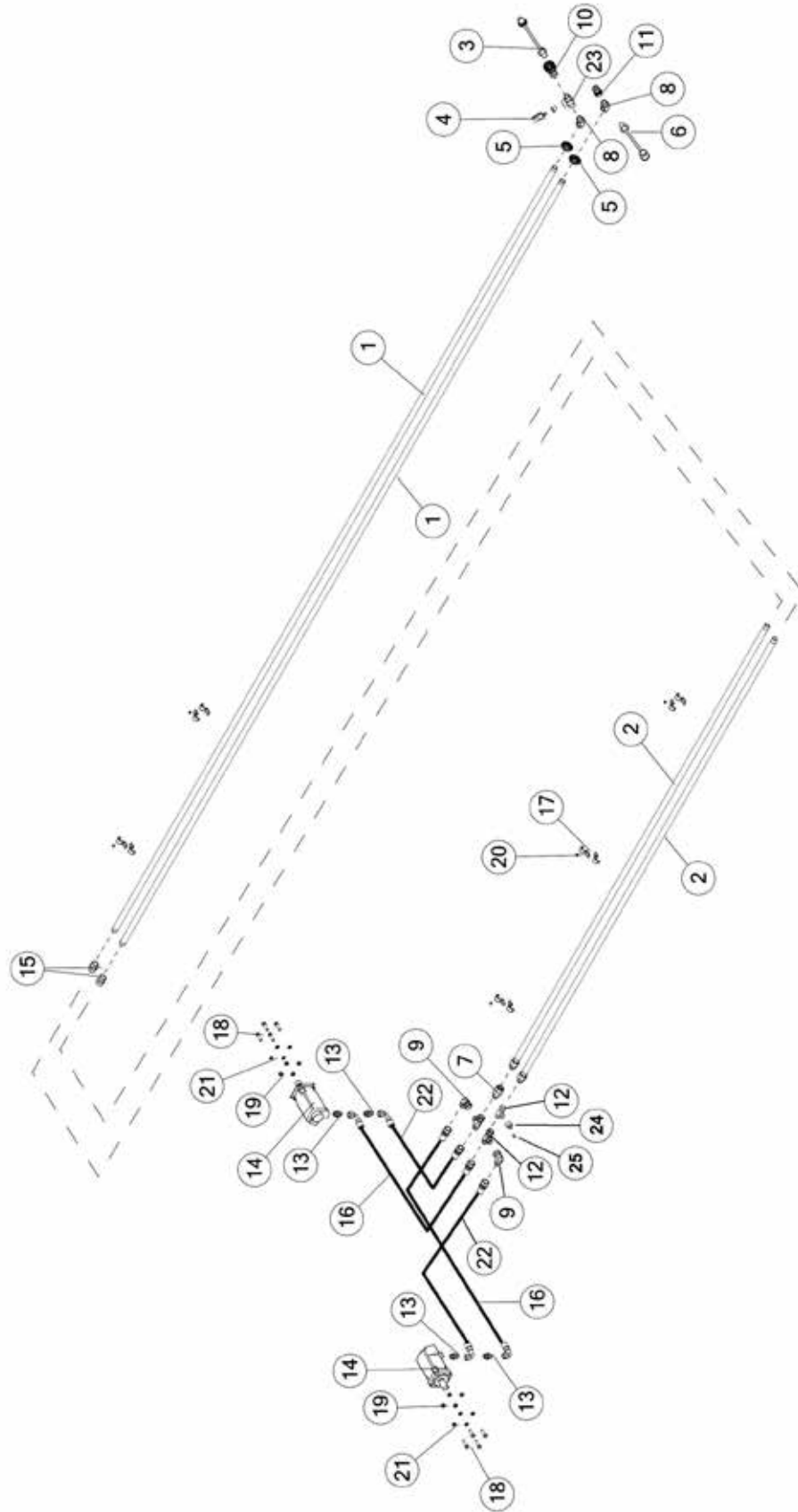


FIGURE 14 HYDRAULICS

<u>ITEM</u>	<u>QTY</u>	<u>PART#</u>	<u>DESCRIPTION</u>
1	2	BBSTPI02	HYDRAULIC LINE
2	2	79549	HYDRAULIC LINE
3	1	79642	COUPLER DUST PLUG
4	1	BBS33	4000 PSI GAUGE
5	2	BBS91	ROUND LIGHT GROMMET
6	1	79641	NIPPLE DUST CAP
7	1	53829	CHECK VALVE
8	2	79550	FITTING, 45, 1NPT X 1NPT
9	2	8021	SWIVEL NUT ELBOW
10	1	BBS31	QUICK COUPLER - FEMALE
11	2	BBS32	QUICK COUPLER - MALE
12	2	CHM182	SWIVEL NUT RUN TEE
13	4	SD273	FITTING, ST, 12JIC, 12ORB
14	2	33SV73	HYDRAULIC MOTOR
15	2	BBS85	MALE PIPE COUPLING
16	2	BBSTMS18	RETURN LINE HOSE
17	5	BBS86	PIPE CLAMP
18	8	YBHH16055	BOLT HEX, 1/2 X 1-3/4 G5
19	8	YNHX16005	NUT HEX, 1/2 G2
20	5	YNNY08005	NUT HEX, 1/4 G2
21	8	YWLO16005	WASHER LOCK, 1/2
22	2	BBSTMS17	PRESSURE TO MOTOR HOSE
23	1	DWM113	SERVICE TEE
24	1	CHM183	REDUCER
25	1	83114	FITTING CAP, 6JIC

FIGURE 15 GATE DELAY OPTIONAL

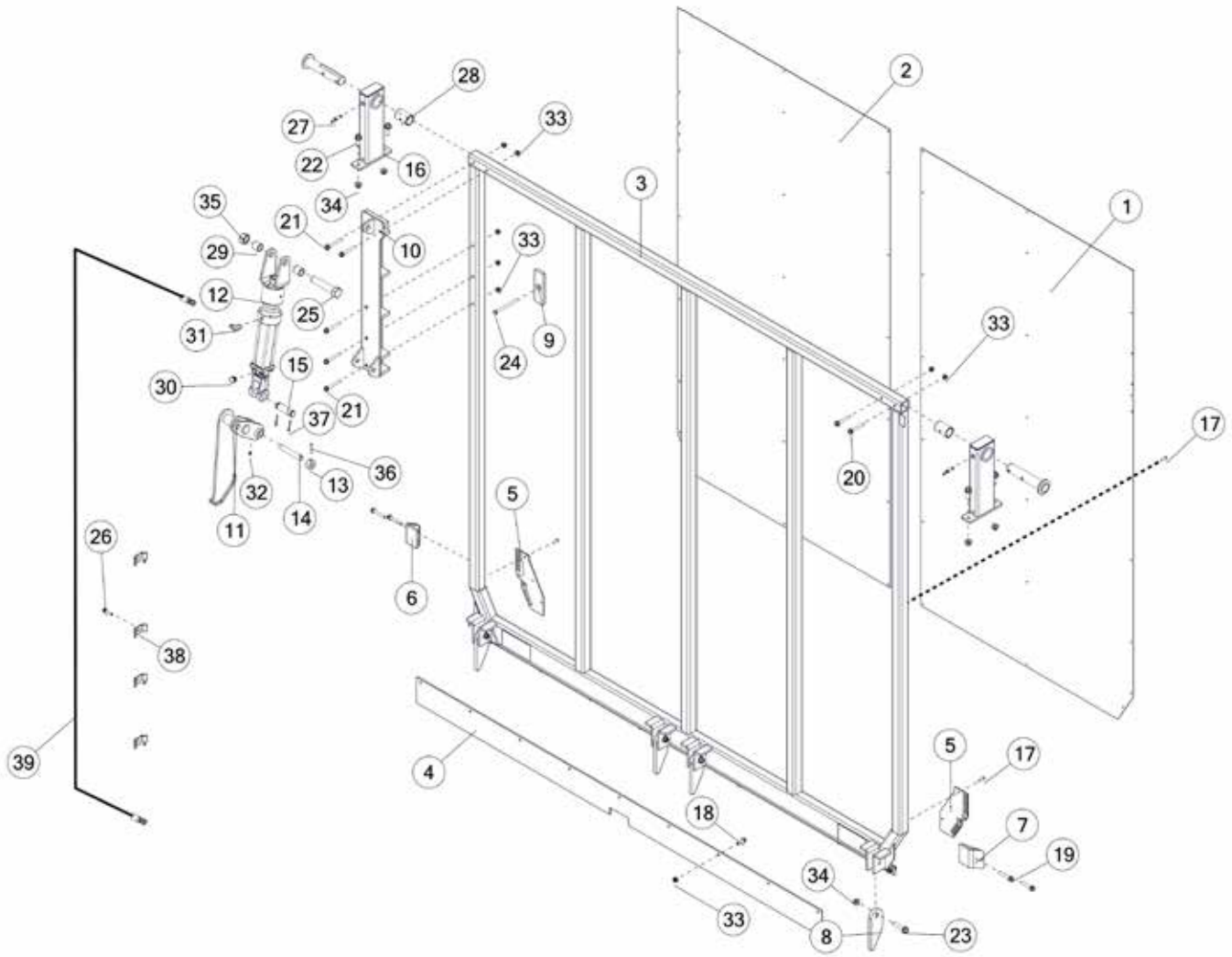


FIGURE 15

GATE DELAY OPTIONAL

<u>ITEM</u>	<u>QTY</u>	<u>PART#</u>	<u>DESCRIPTION</u>
1	1	61409	DOOR SKIN LH
2	1	BBST16G06	DOOR SKIN RH
3	1	BBS17	DOOR
4	1	78295	REAR DOOR RUBBER
5	1	55902	CORNER DOOR SEAL
6	1	55970	ROADSIDE DOOR STOP
7	1	56155	CURBSIDE DOOR STOP
8	4	BBS67	LATCH
9	1	0231PL01	POLY BUMPER
10	1	76428	HYD GATE DELAY, BASE
11	1	77291	PIVOT
12	1	76902	HYD CYLINDER, 2
13	1	0231-TU-02	PIN LOCK
14	1	0231SH02	PIVOT PIN
15	1	T143	HYDRAULIC CYLINDER PIN
16	2	BBS21	REAR TOP STAKE
17	44	1043	HUCK RIVET
18	9	YBFB12125	BOLT FLANGE, 3/8 X 1-1/4 G5
19	4	YBFB12250	BOLT FLANGE, 3/8 X 2-1/2 G5
20	5	YBFB12275	BOLT FLANGE, 3/8 X 2-3/4 G5
21	2	YBFB12300	BOLT FLANGE, 3/8 X 3 G5
22	4	YBFB16150	BOLT FLANGE, 1/2 X 1-1/2 G5
23	4	YBFB16250	BOLT FLANGE, 1/2 X 2-1/2 G5
24	1	YBHH12200	BOLT HEX, 3/8 X 5 G5
25	1	YBHH32020	BOLT HEX, 1 X 5 G5
26	1	YSHW10020	THREAD CUTTING SCREW
27	2	16SV26	PIPE GREASE ZERK
28	2	56244	DRIVE SHAFT BUSHING
29	2	77434	SPACER BUSHING
30	1	BFR70	VENT PLUG, 3/8
31	1	CHM164	MALE ELBOW 37° / NPTF 6-6 CTX-S
32	1	G89	STRAIGHT ZERK 1/4-28 X 90
33	16	YNFG12006	NUT FLANGE, 3/8
34	8	YNFG16003	NUT FLANGE, 1/2
35	1	YNTL32005	NUT HEX, 1
36	1	YPEX08015	EXPANSION PIN, 1/4 X 1-3/4
37	2	YPCT05010	COTTER PIN, 5/32 X 1-1/2
38	4	23N67	FRONT HOSE BRACKET
39	1	78689	HYDRAULIC HOSE, 6 X 230

FIGURE 16
OPTIONAL BARN DOORS

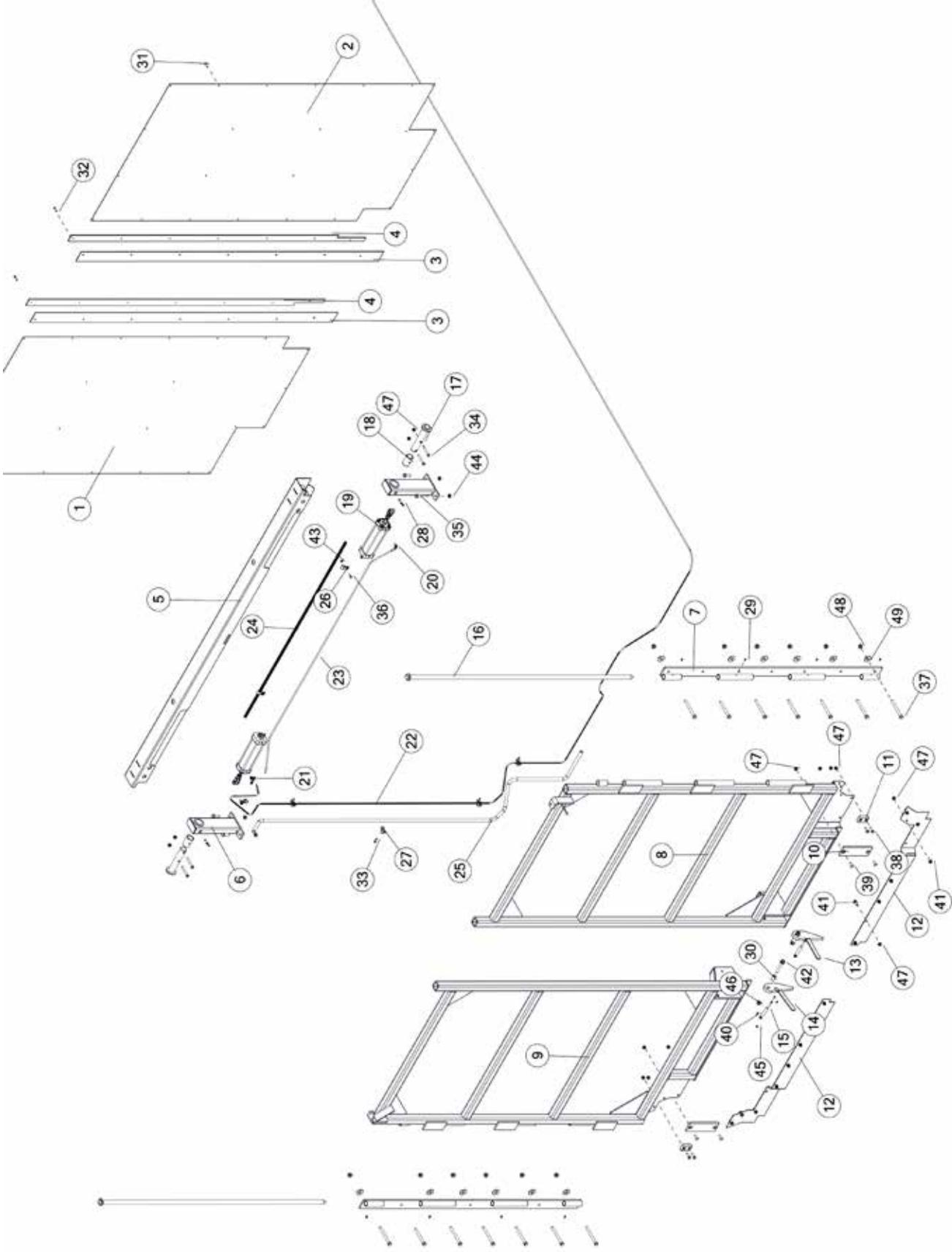


FIGURE 16

OPTIONAL BARN DOORS

<u>ITEM</u>	<u>QTY</u>	<u>PART#</u>	<u>DESCRIPTION</u>
1	1	66286	DOOR PANEL LH
2	1	022716G01	DOOR PANEL RH
3	2	0227RU02	DOOR SEAL
4	2	02273G05	DOOR SEAL HOLD DOWN
5	1	85203	TOP CHANNEL, AIR
6	2	BBS20	STAKE TOP REAR ASSEMBLY
7	2	82438	HINGE
8	1	82444	DOOR RH
9	1	82451	DOOR LH
10	2	0227PL01	POLY BUMPER
11	2	0227PL02	0227 BARN DOOR FILLER BLOCK
12	2	0227RU01	DOOR SEAL BOTTOM
13	1	0227WE08	LATCH RH
14	1	0227WE07	LATCH LH
15	2	SD190	GAS STRUT
16	2	82449	DOOR HINGE PIN
17	2	BBS64	DOOR HINGE PIN
18	2	56244	BUSHING, DRIVE SHAFT
19	2	GD49	AIR CYLINDER, 2-1/2" X 8
20	1	GD5	MALE ELBOW, 1/4
21	1	GD26	AIR TEE, 1/4
22	1	79792	CYLINDER SUPPLY LINE 530" (BLACK)
23	1	0227MS03	CYLINDER TIE AIR LINE
24	1	0227MS02	WIRE LOOM
25	1	0227MS01	AIR LINE SHIELD
26	3	HGV72	CUSHION WIRE CLAMP 3/4
27	4	1097	EMT CLAMP, 1/2
28	2	16SV26	30 DEG ZERK, 1/8 NPT X 2-3/32
29	8	MS26	STRAIGHT ZERK, 1/4
30	2	0227PI02	LATCH SPACER
31	46	1043	HUCK RIVET .375 GRIP
32	14	YSDR66007	SELF DRILLING SCREW, HEX WASHER HEAD, #12-14 X 1-1/4
33	5	YSDR08005	SELF DRILLING SCREW, HEX WASHER HEAD, 1/4 X 1
34	4	YBHH12120	BOLT HEX, 3/8 X 3 G5
35	4	YBHH16030	BOLT HEX, 1/2 X 1-1/2 G5
36	2	YBHH08100	BOLT HEX, 1/4 X 3/4 G5
37	14	YBHH16160	BOLT HEX, 1/2 X 5-1/2 G5
38	4	YBHH12035	BOLT HEX, 3/8 X 1-1/4 G5
39	4	YBCR12020	BOLT CARRIAGE, 3/8-16 X 1-1/4 G5
40	4	1135	SCREW MACHINE, PHILLIPS HEAD, #8-32 X 3/4
41	16	YBFB12003	BOLT FLANGE, 3/8 X 1 G5
42	2	YBFB16350	BOLT FLANGE, 1/2 X 3-1/2 G5
43	2	YNTL08005	NUT HEX, 1/4
44	2	YNTL16005	NUT HEX, 1/2
45	4	YNHX62005	NUT HEX, MACHINE, #8-32
46	2	YNFG16005	NUT FLANGE, 1/2
47	16	YNFG12006	NUT FLANGE, 3/8
48	14	YNFG16003	NUT FLANGE, 1/2
49	12	YWFL20005	WASHER, FLAT, 5/8

FIGURE 17
HAND CONTROLLER

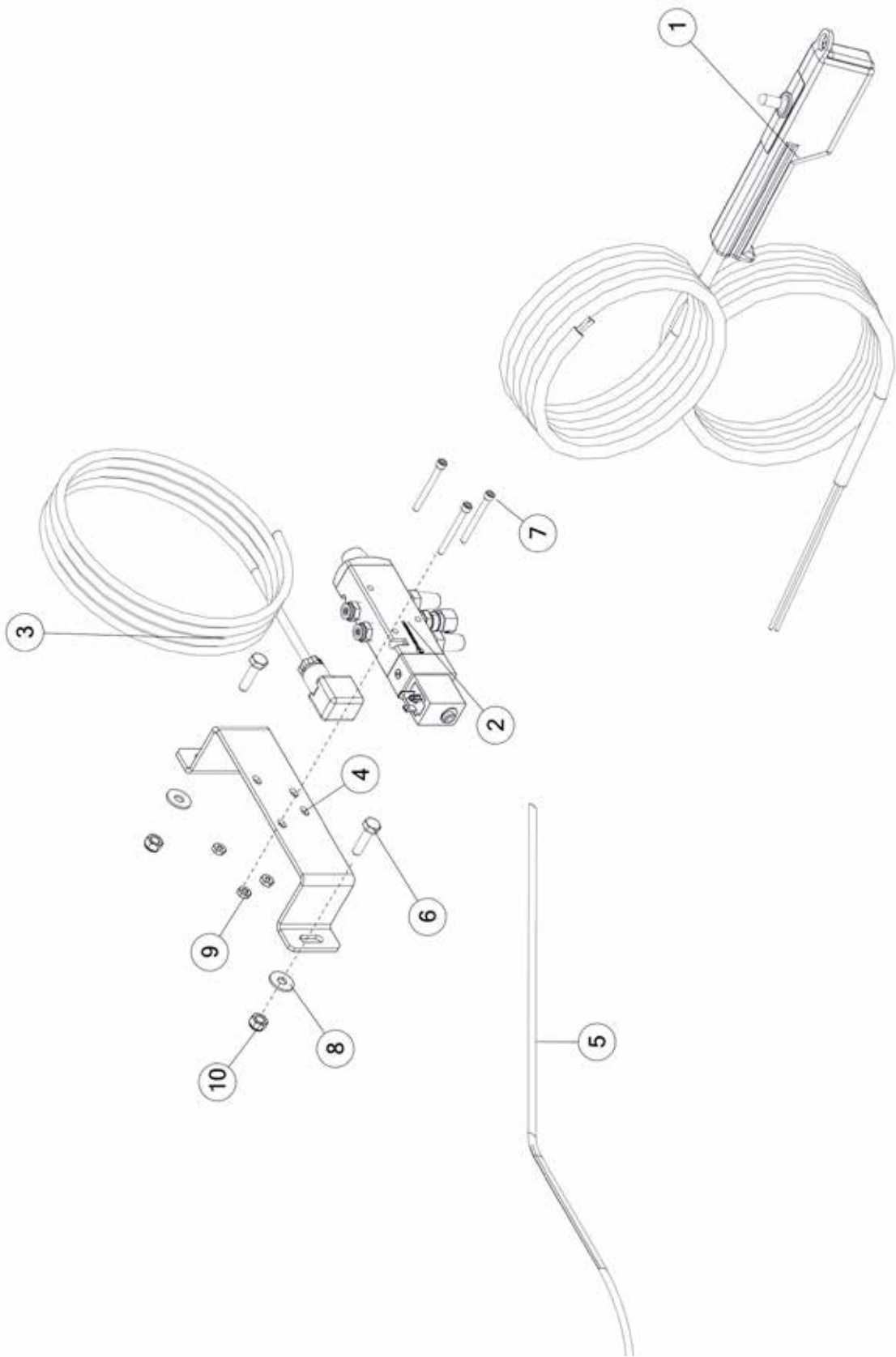


FIGURE 17
HAND CONTROLLER

<u>ITEM</u>	<u>QTY</u>	<u>PART#</u>	<u>DESCRIPTION</u>
1	1	63361	HAND CONTROLLER, (ON)-OFF
2	1	8031	VALVE 4 WA
3	1	1093	DIN CORD
4	1	54510	AIR VALVE MOUNTING BRACKET
5	1	79792	CYLINDER SUPPLY LINE 530 (BLACK)
6	2	YBHH08010	BOLT HEX, 1/4 X 1 G5
7	3	YSHS62005	BOLT SOCKET, #8-32 X 1-3/4
8	2	YWFL08005	WASHER FLAT, 1/4
9	3	YNHX62005	NUT HEX, MACHINE, #8-32
10	2	YNNY08005	NUT HEX, 1/4 G2

FIGURE 18 **BUMPER & COMPONENTS**

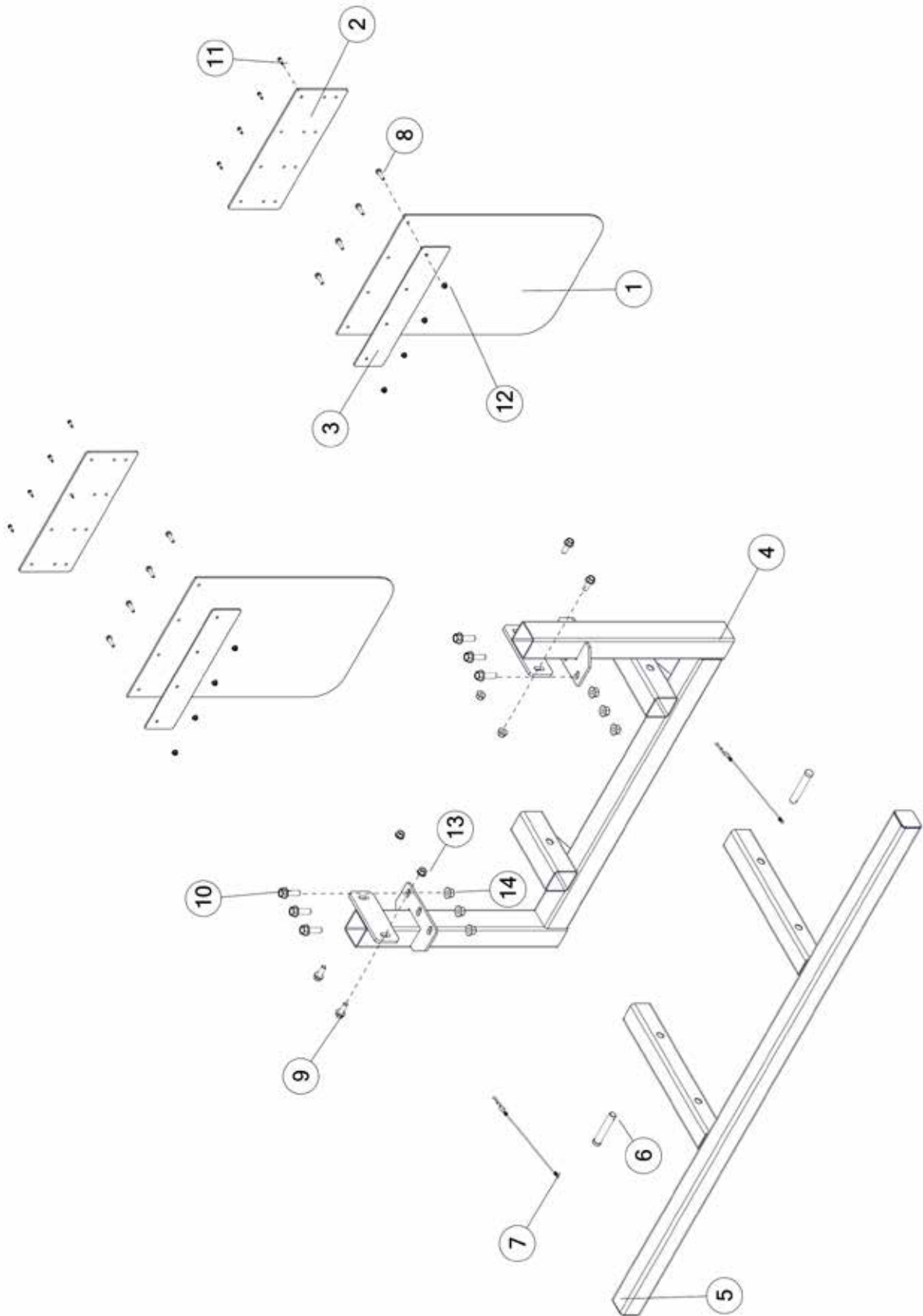


FIGURE 18

BUMPER & COMPONENTS

<u>ITEM</u>	<u>QTY</u>	<u>PART#</u>	<u>DESCRIPTION</u>
1	2	8034	MUDFLAP LONG
2	2	85463	MUD FLAP EXT. BRACKET
3	2	BBST6G09	MUD FLAP BRACKET
4	1	54149	BOLT ON BUMPER WELDMENT
5	1	54497	BUMPER
6	2	1118	CLEVIS PIN 1 X 4.75
7	2	57616	LANYARD, 9/64 X 2-11/16 HAIR PIN
8	8	YBFB12150	BOLT FLANGE, 3/8 X 1-1/2 G5
9	4	YBFB20175	BOLT FLANGE, 5/8 X 1-3/4 G5
10	6	YBFB24005	BOLT FLANGE, 3/4 X 2-1/2 G8
11	8	YSDR08005	SCREW SELF DRILLING,HEX WASHER HEAD, 1/4 X 1
12	8	YNFG12006	NUT FLANGE, 3/8
13	2	YNFG20005	NUT FLANGE, 5/8
14	6	YNFG24006	NUT FLANGE, 3/4

FIGURE 19 AIR LINES & COMPONENTS

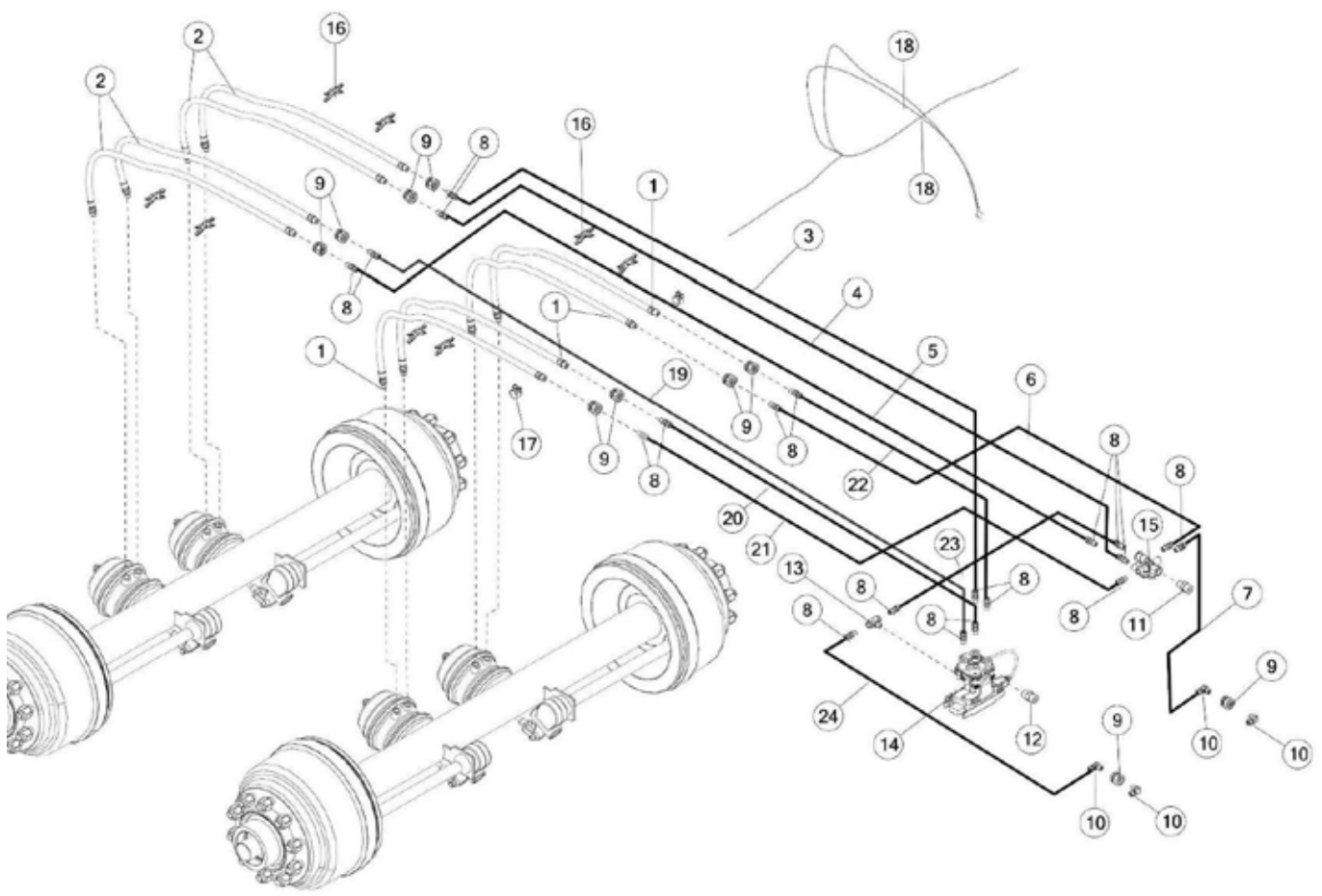


FIGURE 19

AIR LINES & COMPONENTS

<u>ITEM</u>	<u>QTY</u>	<u>PART#</u>	<u>DESCRIPTION</u>
1	4	1115	FRONT HOSE
2	4	1116	BACK HOSE
3	1	55630	SUPPLY LINE, 79
4	1	55758	EMERGENCY LINE, 67
5	1	55628	EMERGENCY LINE, 75
6	1	55632	EMERGENCY LINE, 19.5
7	1	54489	SUPPLY LINE, 149
8	20	1032	FITTING MALE CONN, 3/8
9	8	1114	FITTING BULKHEAD, 3/8 X 3/8
10	4	55798	FITTING ELBOW, 3/8 NPT
11	1	61584	FITTING NIPPLE, 3/4
12	1	LW98	FITTING NIPPLE, 3/4
13	1	WM146	FITTING TEE,
14	1	1013	MERITOR WABCO ABS KIT 2S/1M
15	1	1010	ABS SPRING BRAKE VALVE HOSE
16	8	79676	SEPARATOR
17	2	HGV72	HOSE CLAMP
18	2	55759	ELECTRICAL LINE
19	1	55629	SUPPLY LINE, 67.5
20	1	55631	SUPPLY LINE, 10
21	1	1109	SUPPLY LINE, 22
22	1	55633	SUPPLY LINE, 25.5
23	1	55634	SUPPLY LINE, 15
24	1	55746	SUPPLY LINE, 134.5

FIGURE 20 **AIR TANK & COMPONENTS**

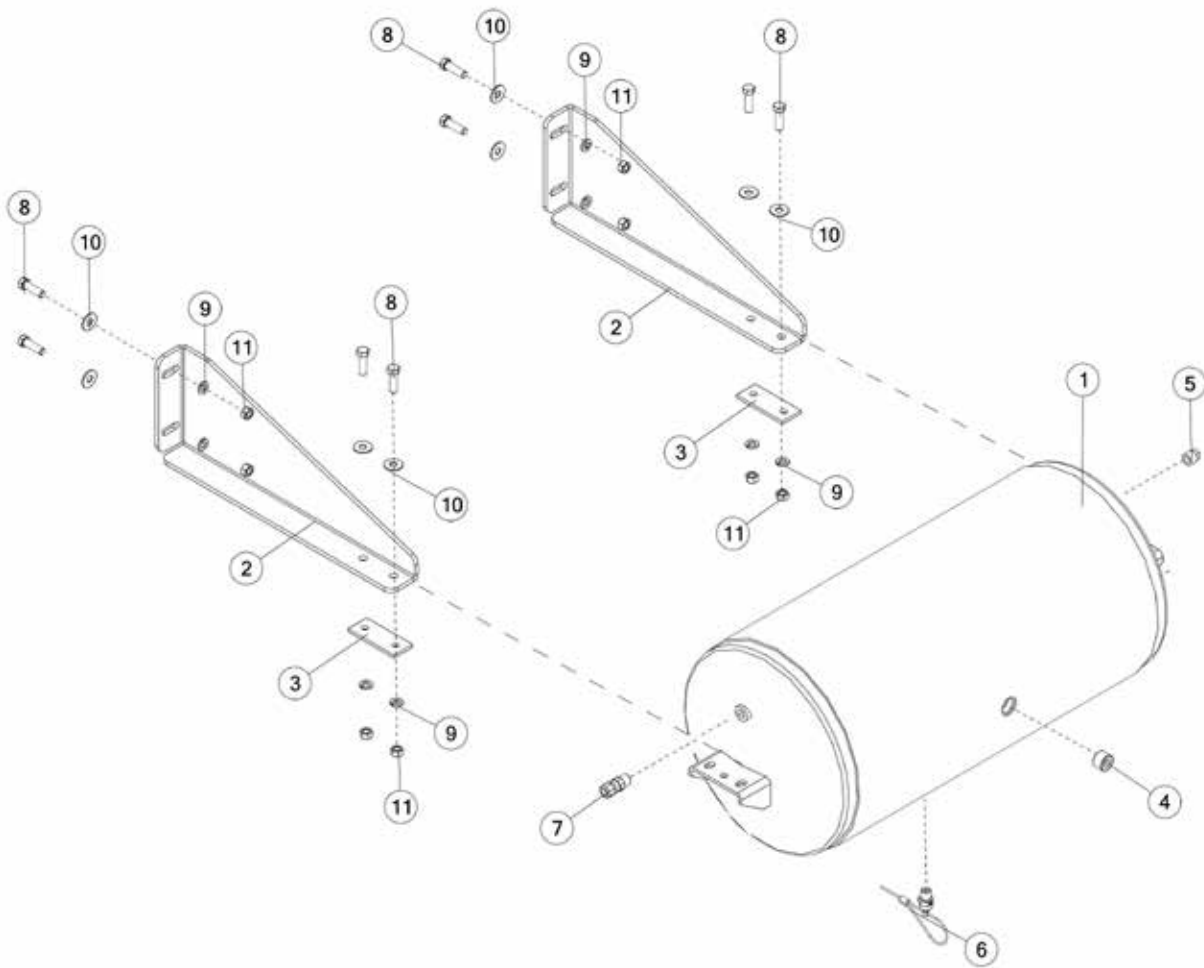


FIGURE 20
AIR TANK & COMPONENTS

<u>ITEM</u>	<u>QTY</u>	<u>PART#</u>	<u>DESCRIPTION</u>
1	1	1005	AIR TANK
2	2	54101	TANK HANGER
3	2	1006	AIR TANK RUBBER MOUNT
4	1	1037	HEX SOCKET PIPE PLUG, 3/4
5	1	1040	SQ HD PIPE PLUG, 3/8
6	1	1041	LANYARD VALVE, 1/4
7	1	1032	MALE CONN 3/8
8	6	YBHH12035	BOLT HEX, 3/8 X 1-1/4 G5
9	6	YWLO12005	WASHER LOCK, 3/8
10	4	YWFL12005	WASHER FLAT, 3/8
11	6	YNHX12005	NUT HEX, 3/8

FIGURE 21
AIR VALVE & COMPONENTS

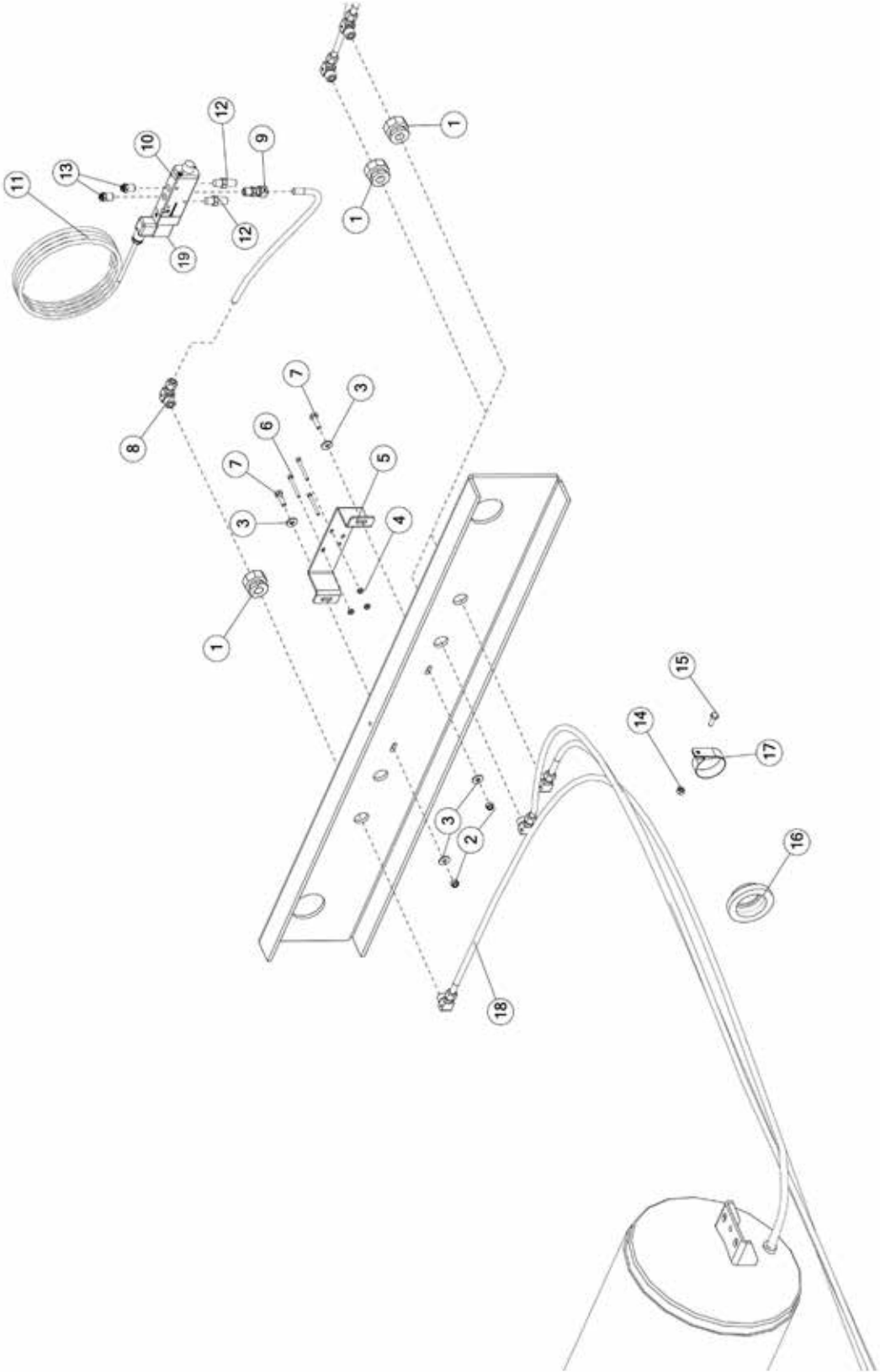


FIGURE 21

AIR VALVE & COMPONENTS

<u>ITEM</u>	<u>QTY</u>	<u>PART#</u>	<u>DESCRIPTION</u>
1	2	1114	FITTING BULKHEAD NIPPLE, 3/8 x 3/8
2	2	YNNY08005	HEX NUT NYLON LOCKNUT, 1/4
3	4	YWFL08005	WASHER FLAT, 1/4
4	3	YNHX62005	MACHINE SCREW, #8-32
5	1	54510	AIR VALVE MOUNTING BRACKET
6	3	YSHS62005	SOCKET HEAD CAP SCREW, #8-32 X 1-3/4 X 1
7	2	YBHH08010	BOLT HEX, 1/4 X 1 G5
8	1	55798	FITTING, MALE ELBOW
9	1	58651	FITTING, 1/4 X 3/8
10	1	0231-AS-05	GATE DELAY AIR VALVE (4 WAY) WITH FITTINGS
11	1	1093	DIN CORD
12	2	GD7	VENT PLUG, 1/4
13	3	GD6	MALE COUPLER, 1/4
14	1	YNTL08005	NUT HEX, TOP LOCK, 1/4
15	1	YBHH08100	BOLT HEX, 1/4 X 3/4 G5
16	1	BBS91	ROUND GROMMET LIGHT
17	1	57173	CUSHION CLAMP
18	1	79792	SUPPLY LINE
19	1	8031	4 WAY VALVE

FIGURE 22 **LANDING GEAR & COMPONENTS**

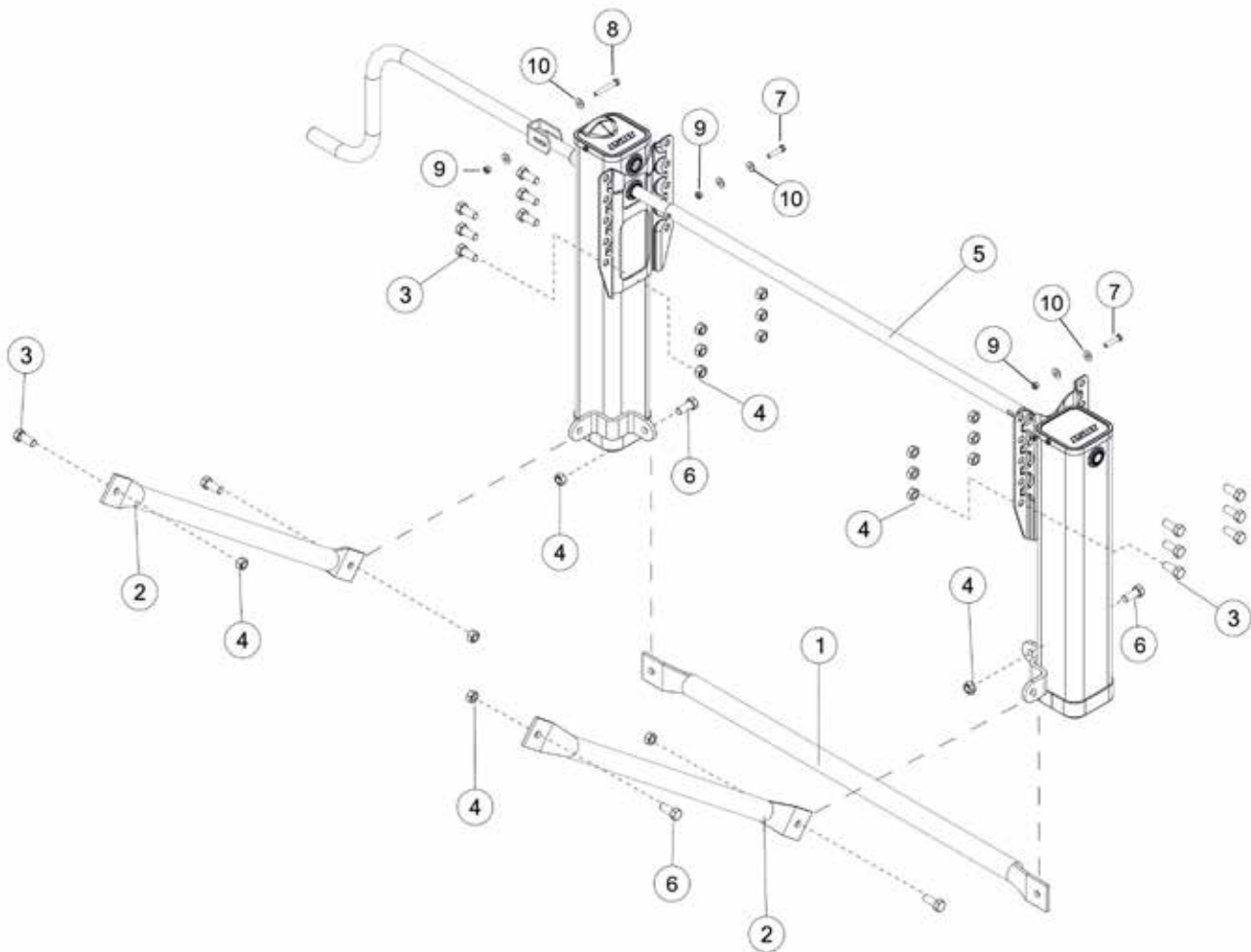


FIGURE 22
LANDING GEAR & COMPONENTS

<u>ITEM</u>	<u>QTY</u>	<u>PART#</u>	<u>DESCRIPTION</u>
1	1	1004	LANDING GEAR BRACE
2	2	1003	LANDING GEAR BRACE
3	12	YBHH20010	BOLT HEX, 5/8 X 1-1/2 G5
4	18	YNL20005	NUT HEX, 5/8
5	1	1002	LANDING GEAR
6	6	YBFB120175	BOLT FLANGE, 5/8 X 1-3/4 G5
7	2	YBHH12060	BOLT HEX, 3/8 X 1-3/4 G5
8	1	YBHH12110	BOLT HEX, 3/8 X 2-3/4 G5
9	3	YNRL12005	NUT HEX, 3/8
10	6	YWFL12005	WASHER, FLAT, 3/8

FIGURE 23 CAMSHAFT & COMPONENTS

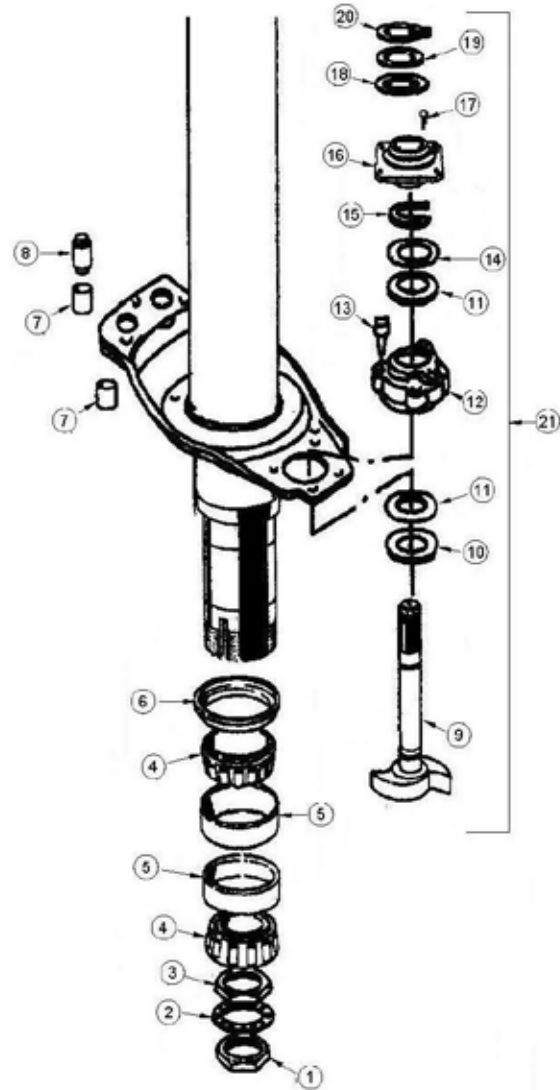


FIGURE 23

CAMSHAFT & COMPONENTS

<u>ITEM</u>	<u>QTY</u>	<u>PART#</u>	<u>DESCRIPTION</u>
1	1	8269	NUT
2	1	8270	WASHER
3	1	8271	NUT
4	2	8272	BEARING CONE
5	2	8273	BEARING RACE
6	1	8274	SEAL
7	2	8275	BUSHING
8	1	8276	ANCHOR PIN
9	1	8277	CAM LH
*	1	8291	CAM RH
10	1	8278	WASHER
11	2	8279	SEAL
12	1	8280	BUSHING
13	1	8281	CAPSCREW
14	1	8282	WASHER
15	1	8283	SNAP RING
16	1	8284	CAMSHAFT BUSHING
17	1	8285	CAPSCREW
18	1	8286	SLACK ADJUSTER WASHER
19	1	8287	SLACK ADJUSTER WASHER
20	1	8288	SLACK ADJUSTER SNAP RING
21	--	8289	CAM KIT LH

*MEANS NOT SHOWN

FIGURE 24 **TAIL LIGHT & COMPONENTS**

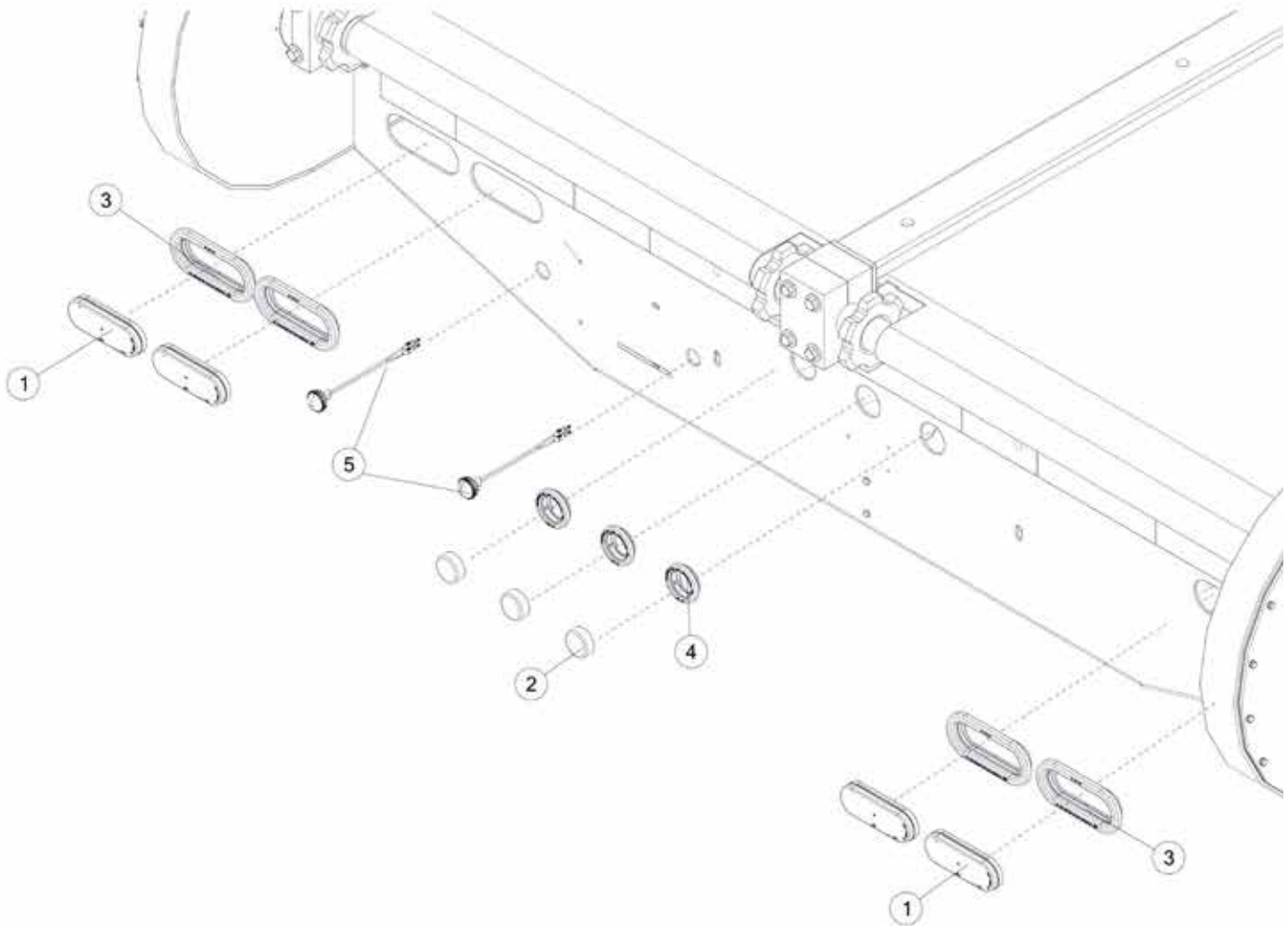


FIGURE 24
TAIL LIGHT & COMPONENTS

<u>ITEM</u>	<u>QTY</u>	<u>PART#</u>	<u>DESCRIPTION</u>
1	4	78671	OVAL RED LED LIGHT
2	3	BBS92	ROUND RED MARKER LIGHT
3	4	S308	OVAL GROMMET LIGHT
4	3	BBS91	ROUND GROMMET LIGHT
5	2	BBS98	LICENSE LIGHT
*	1	78656	REAR MAIN ELEC HARNESS

***MEANS NOT SHOWN**

FIGURE 25
LIGHTS

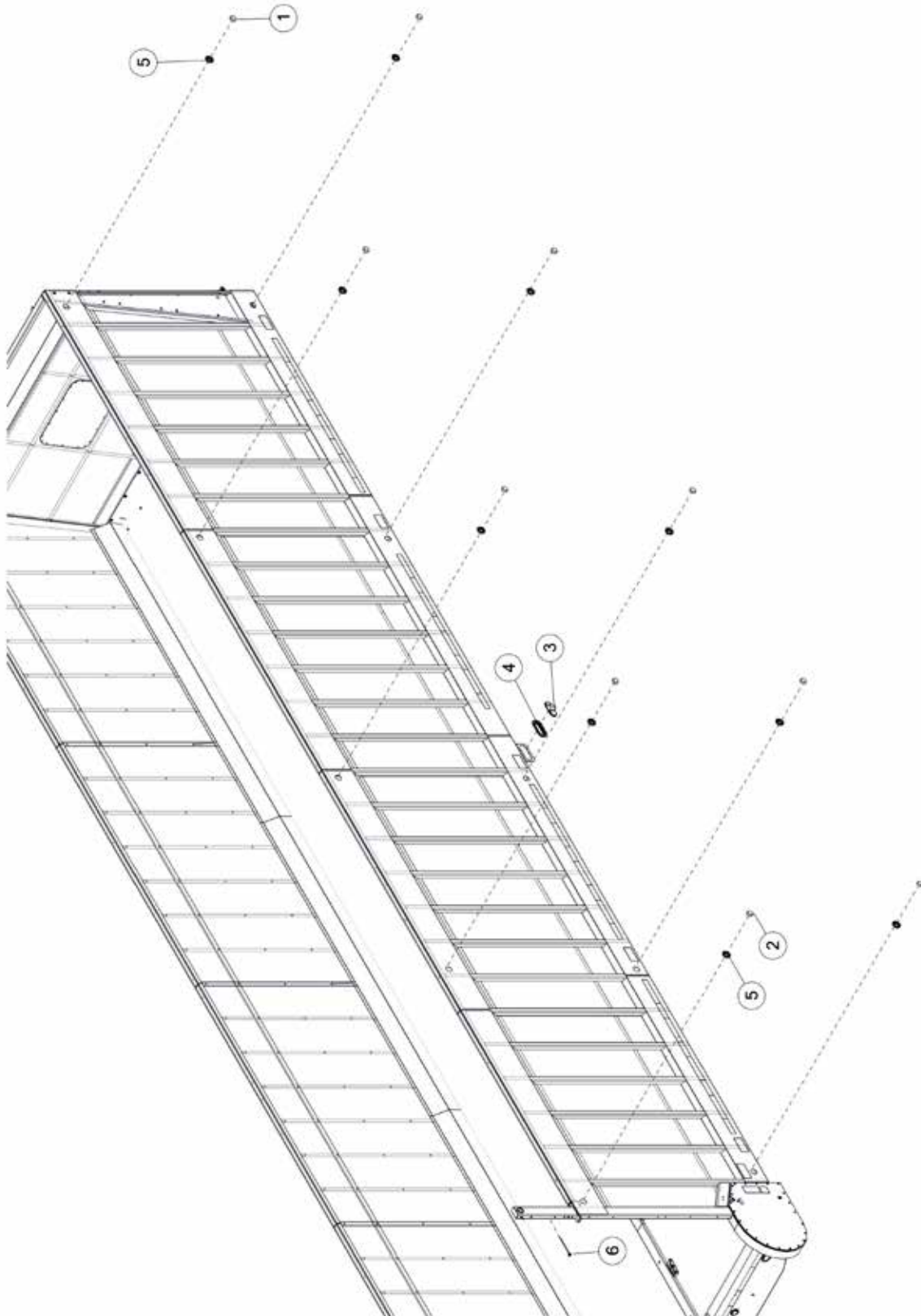


FIGURE 25 LIGHTS

<u>ITEM</u>	<u>QTY</u>	<u>PART#</u>	<u>DESCRIPTION</u>
1	16	BBS93	ROUND AMBER MARKER LIGHT
2	4	BBS92	ROUND RED MARKER LIGHT
3	2	78700	AMBER LED SIDE TURN LIGHT
4	2	S308	OVAL LIGHT GROMMET
5	20	BBS91	ROUND LIGHT GROMMET
6	2	8620	RED LED LIGHT

FIGURE 26 **SPRING SUSPENSION**

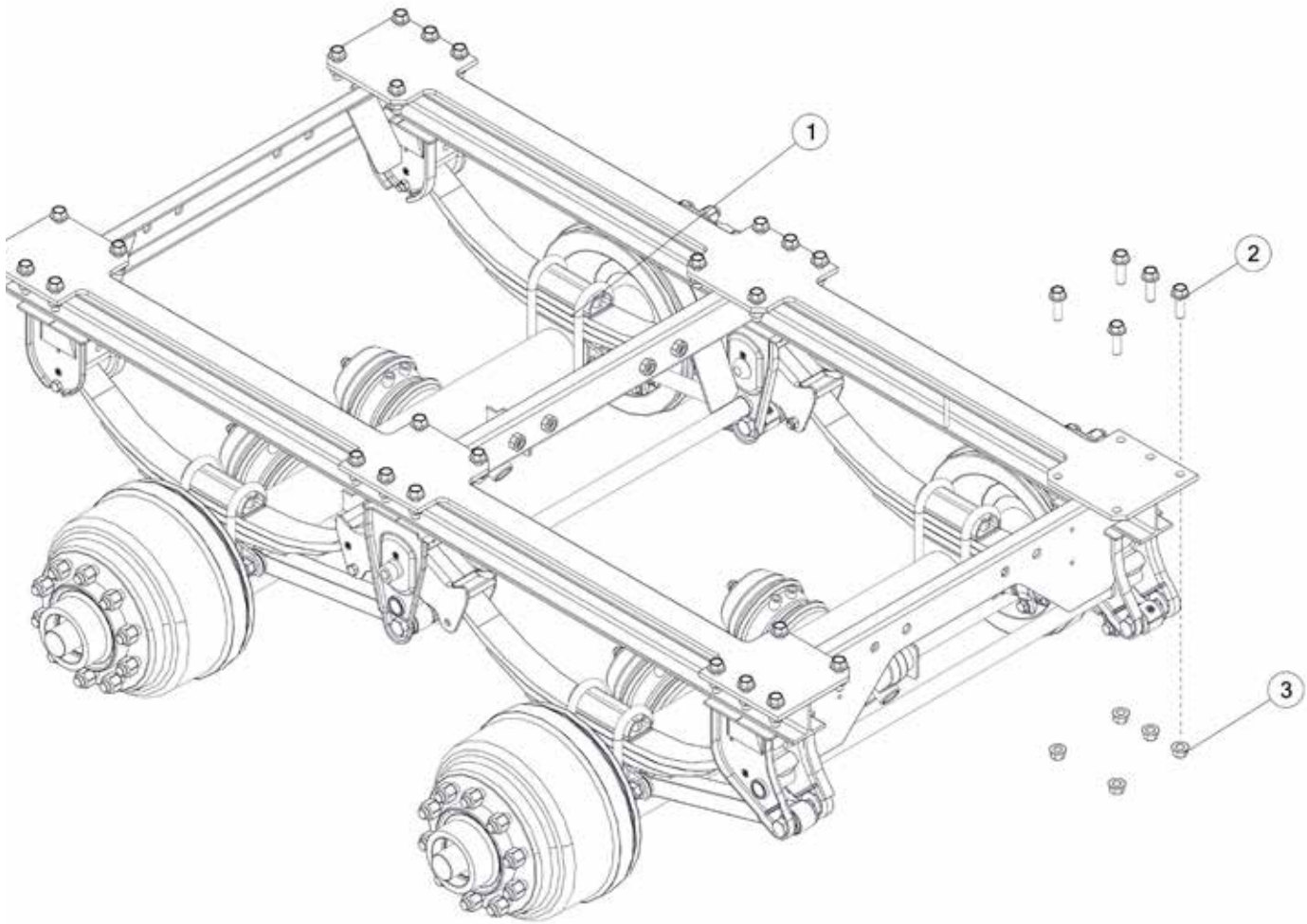


FIGURE 26
SPRING SUSPENSION

<u>ITEM</u>	<u>QTY</u>	<u>PART#</u>	<u>DESCRIPTION</u>
1	1	54280	SPRING SUSPENSION
2	30	YBFB24005	BOLT FLANGE, 3/4 X 2-1/2 G8
3	30	YNFG24006	NUT FLANGE, 3/4

FIGURE 27
HUB & COMPONENTS

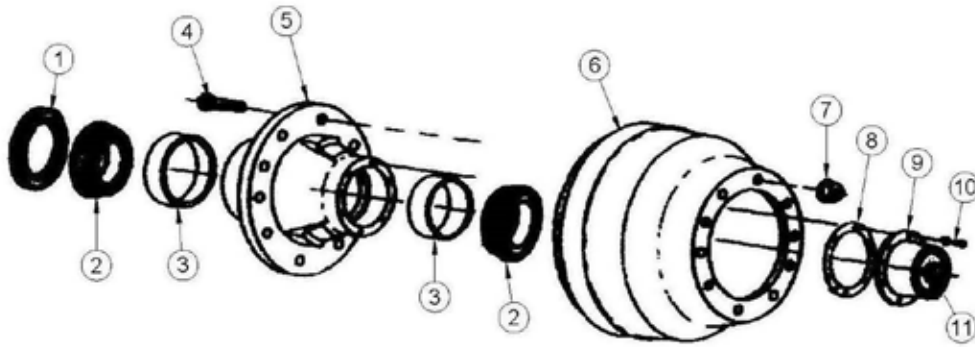


FIGURE 27
HUB & COMPONENTS

<u>ITEM</u>	<u>QTY</u>	<u>PART#</u>	<u>DESCRIPTION</u>
1	1	8300	SEAL
2	2	8301	CONE
3	2	8302	RACE
4	10	8303	STUD
5	1	8304	HUB
6	1	8305	BRAKE DRUM
7	10	8306	LUG NUT
8	1	8307	GASKET
9	1	8308	HUB CAP
10	6	8309	HUB CAP BOLT
11	1	8010	HUB CAP OIL DRAIN

FIGURE 28
BRAKES & COMPONENTS

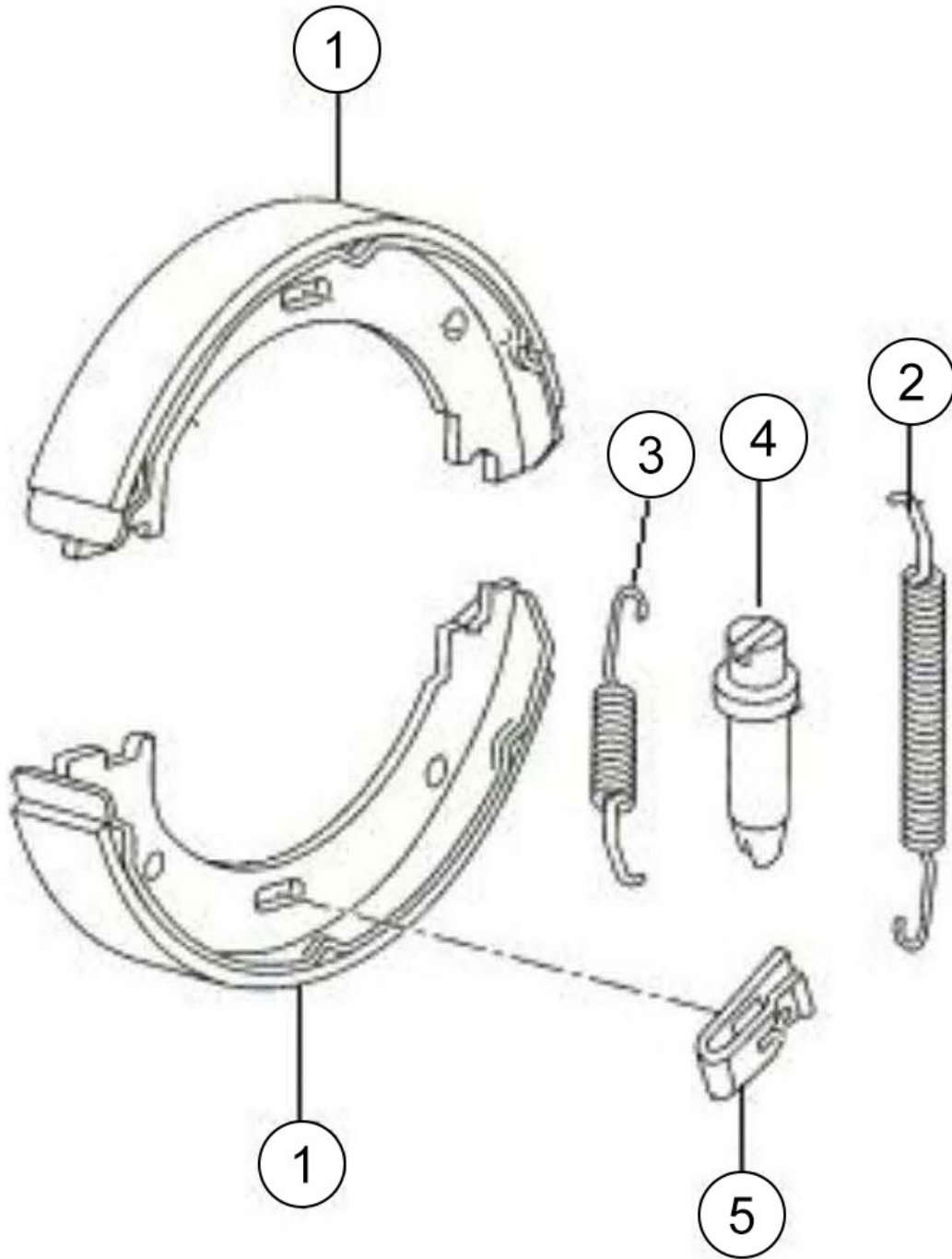


FIGURE 28
BRAKES & COMPONENTS

<u>ITEM</u>	<u>QTY</u>	<u>PART#</u>	<u>DESCRIPTION</u>
1	2	8292	BRAKE SHOE
2	1	8293	SPRING
3	1	8294	SPRING
4	1	8295	ADJUSTER
5	1	8296	CLIP
*	1	8297	RETAINER
*	1	8298	HARDWARE KIT W/BUSHINGS AND ANCHOR PINS

***MEANS NOT SHOWN**

FIGURE 29 TARP & COMPONENTS

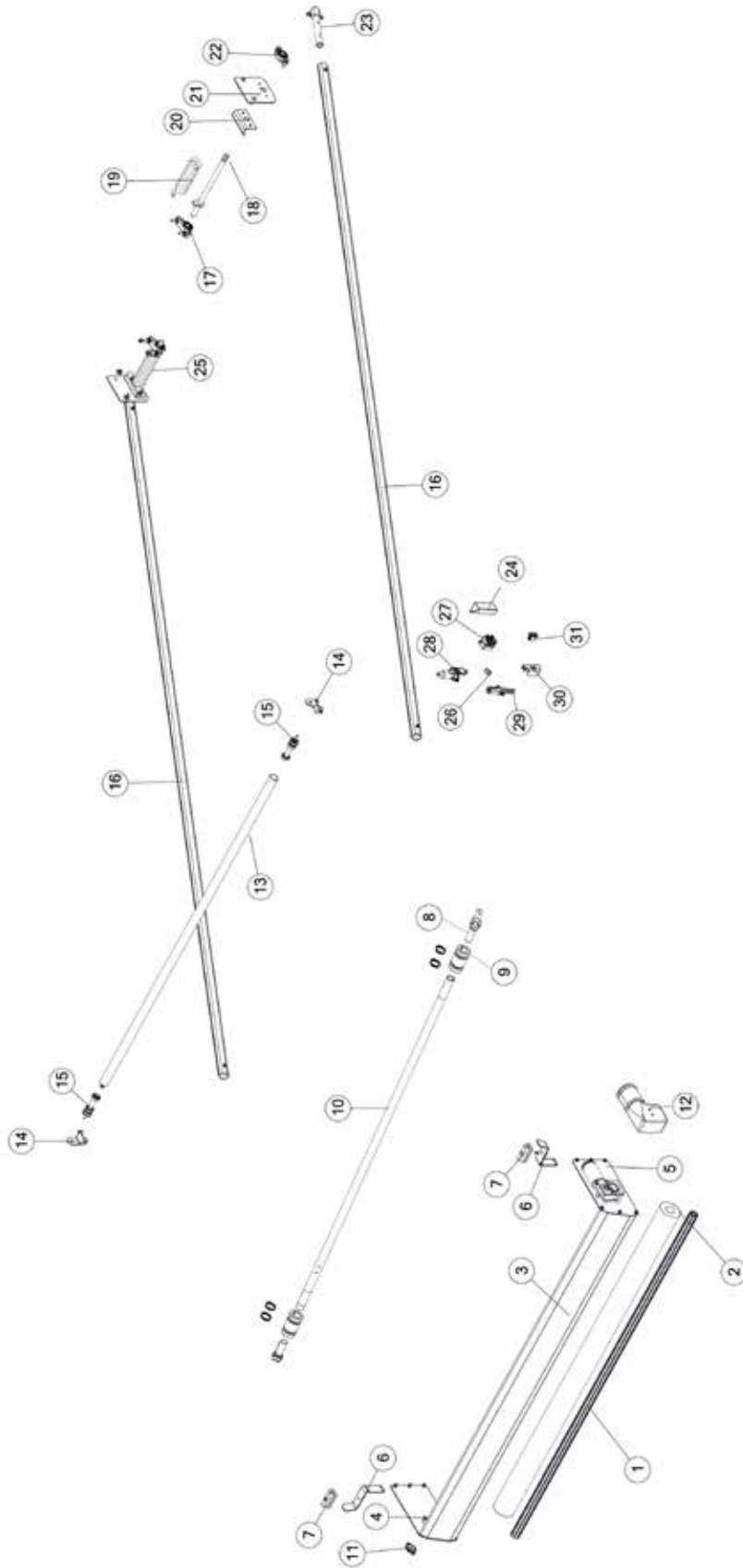


FIGURE 29

TARP & COMPONENTS

<u>ITEM</u>	<u>QTY</u>	<u>PART#</u>	<u>DESCRIPTION</u>
1	1	80056	THREADED TARP AXLE
2	1	80363	SHUR-MATIC ARM TARP, 40 X 94
3	1	80057	ALUMINUM WINDSHIELD
4	1	80055	TARP AXLE SIDE PLATE RH
5	1	80054	TARP AXLE SIDE PLATE LH
6	2	80065	ALUMINUM PIVOT ARM REST BRACKET
7	2	80066	RUBBER BUMPER
8	1	80082	TARP TUBE ELBOW
9	2	80085	RUBBER BUMPERS, 3-1/4 X 4-1/2
10	1	80083	TARP TUBE CROSSOVER
11	1	80113	RADIAL BALL BEARING W/FLANGES
12	1	80058	DURABUILT MOTOR W/ COVER, 3-1/8
13	1	80068	ROLLER GUIDE TUBE
14	2	80069	TARP ROLLER GUIDE BRACKET
15	2	80070	TARP ROLLER GUIDE BEARING
16	2	80092	ALUMINUM RETURN ARM
17	2	80046	PILLOW BLOCK BEARING, 1
18	2	80089	SPRING SHAFT
19	1	80050	TORSION SPRING
20	2	80044	SPRING RETAINER BRACKET
21	2	80042	DROP PLATE
22	2	80045	FLANGE BEARING 1 ID
23	2	80081	POLISHED HEX PIVOT CASTING, 7/8
24	1	80375	SOLENOID COVER
25	1	80090	TORSION SPRING
26	1	80378	50-AMP AUTO-RESET CIRCUIT BREAKER
27	1	80403	MOTOR REVERSING SOLENOID
28	1	80402	DUAL-CONDUCTOR SOCKET W/ BOOT
29	1	80390	HEAVY-DUTY DUAL-CONDUCTOR PLUG
30	1	80376	ROCKER SWITCH MOUNTING BRACKET
31	1	80377	ROCKER SWITCH
*	2	85878	RATCHET
*	2	85880	STRAP BRACKET
*	2	85879	STRAP

* MEANS ITEM NOT SHOWN

FIGURE 30
OPTIONAL ELECTRIC ACTUATOR CONTROL FLIP DOWN

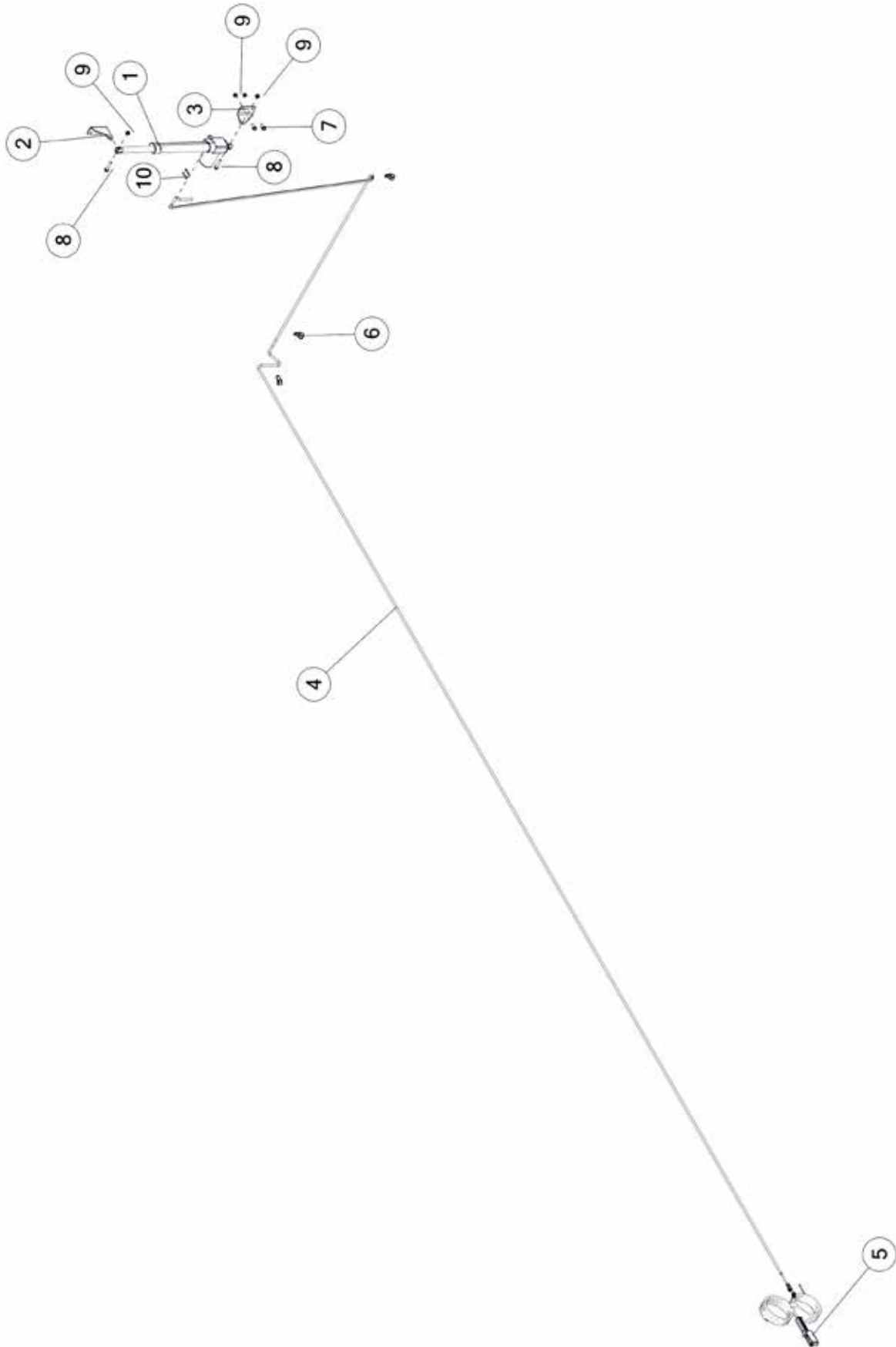


FIGURE 30
OPTIONAL ELECTRIC ACTUATOR CONTROL FLIP DOWN

<u>ITEM</u>	<u>QTY</u>	<u>PART#</u>	<u>DESCRIPTION</u>
1	1	82894	LINEAR ACTUATOR
2	1	80885	ACTUATOR MOUNT BRACKET
3	1	80888	ACTUATOR MOUNT BRACKET
4	1	82932	WIRE WITH DEUTSCH CONNECTIONS
5	1	61598	HAND CONTROLLER, ON-OFF
6	3	HGV162	RUBBER WIRE HOLDER, 1/2
7	2	YBFB12003	BOLT FLANGE, 3/8 X 1 G5
8	2	YBFB12200	BOLT FLANGE, 3/8 X 2 G5
9	4	YNFG12006	NUT FLANGE, 3/8
10	2	ECBC002	ELEC, CONN, BUTT, 14 GA INSULATED

FIGURE 31
OPTIONAL ELECTRIC DRIVE SIDE TO SIDE TARP

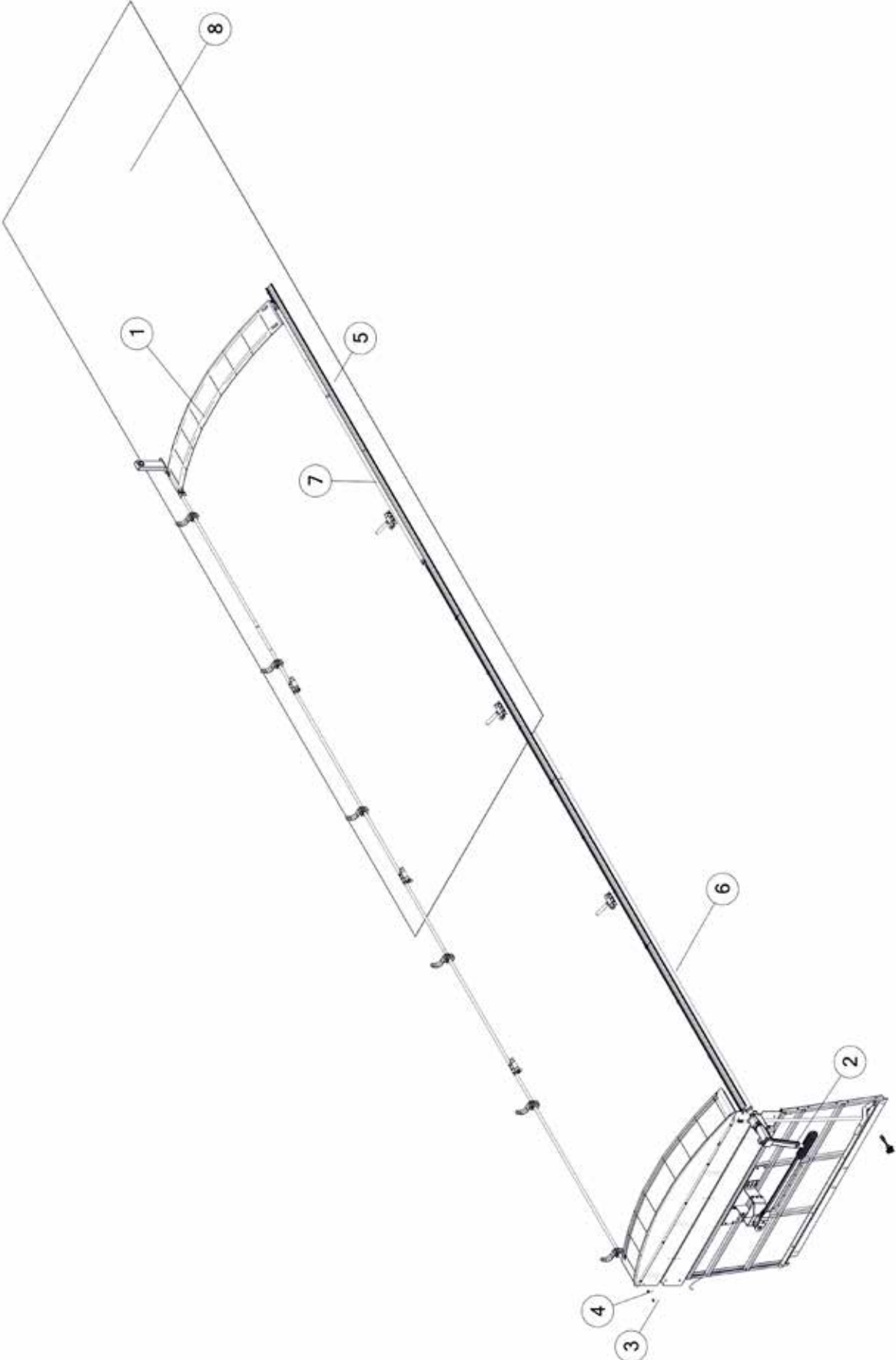


FIGURE 31
OPTIONAL ELECTRIC DRIVE SIDE TO SIDE TARP

<u>ITEM</u>	<u>QTY</u>	<u>PART#</u>	<u>DESCRIPTION</u>
1	1	85740	MAIN KIT SIDE TO SIDE TARP
2	1	85770	ROCKER ARM KIT, 4500HD
3	2	YBFB12003	BOLT FLANGE, 3/8 X 1 G5
4	2	YNFG12006	NUT FLANGE, 3/8
5	1	85909	PIPE KIT, 10FT
6	2	85908	PIPE KIT, 16FT
7	1	85910	SHUR-STRAP RETURN KIT
8	1	86025	TARP, 40FT

FIGURE 32
FLOW CONTROL

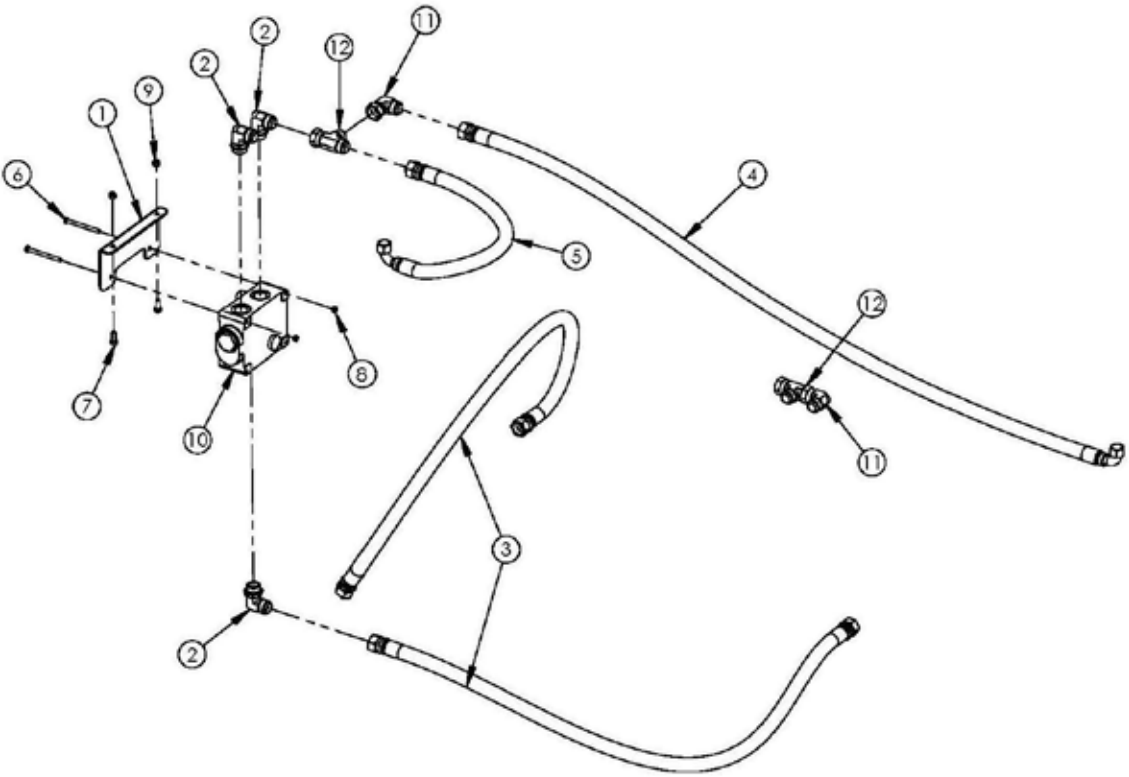


FIGURE 32 **FLOW CONTROL**

<u>ITEM</u>	<u>QTY</u>	<u>PART#</u>	<u>DESCRIPTION</u>
1	1	02266G02	FLOW CONTROL MOUNT
2	3	BBS52	STRAIGHT THREAD ELBOW
3	2	BBSTMS24	PSI TO FLOW
4	1	BBSTMS25	HOSE, FLOW TO MOTOR, LONG
5	1	BBSTMS26	HOSE, FLOW TO MOTOR, SHORT
6	2	YBHH10112	BOLT HEX, 5/16 X 3-3/4 G5
7	2	YBHH12010	BOLT HEX, 3/8 X 1 G5
8	2	YNHX10005	NUT HEX, 5/16
9	2	YNNY12005	NUT HEX, NYLON LOCKNUT, 3/8
10	1	BBS51	FLOW CONTROL
11	2	8021	SWIVEL NUT ELBOW
12	2	CHM182	SWIVEL NUT RUN TEE

FIGURE 33 **GRAIN KIT**

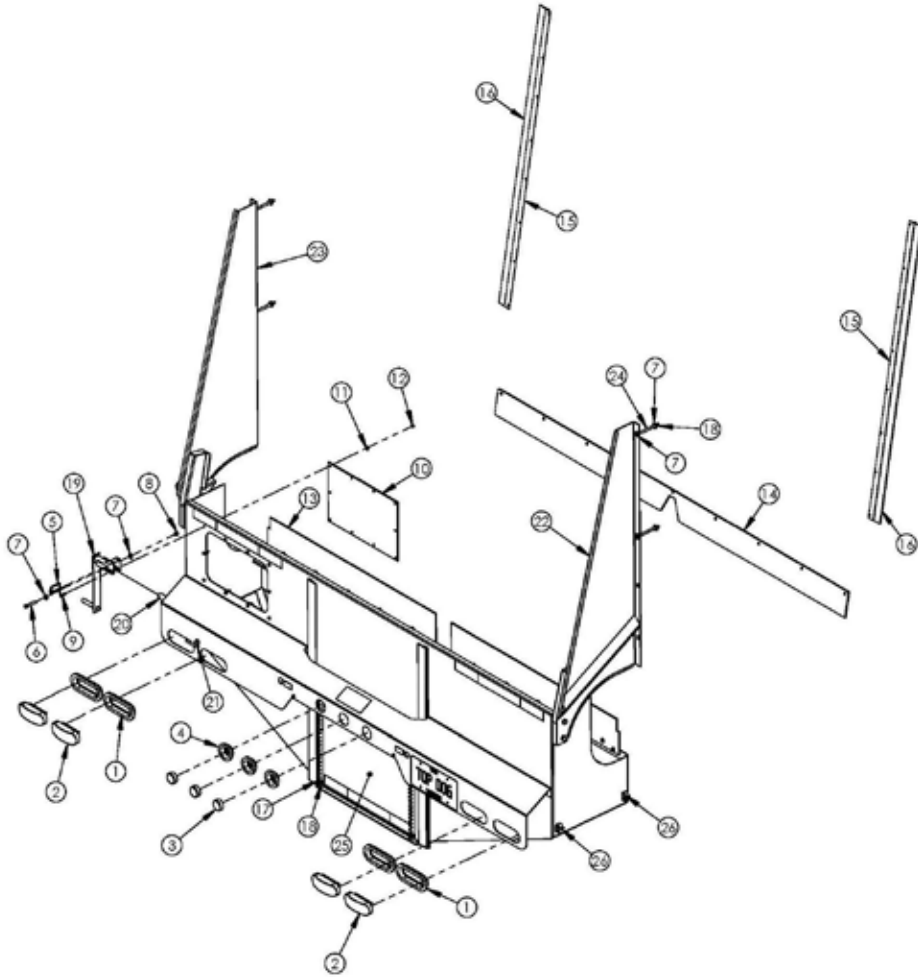


FIGURE 33 **GRAIN KIT**

<u>ITEM</u>	<u>QTY</u>	<u>PART#</u>	<u>DESCRIPTION</u>
1	4	S308	OVAL LIGHT GROMMET
2	4	S310	RED OVAL LIGHT
3	3	BBS92	RED ROUND MARKER LIGHT
4	3	BBS91	ROUND LIGHT GROMMET
5	1	DWM324	SAFETY SNAP PIN
6	1	YBHH12100	BOLT HEX, 3/8 X 2-1/4 G5
7	9	YWFL12005	WASHER FLAT, 3/8
8	1	YNTL12005	NUT HEX, TOP LOCK, 3/8
9	10	YBHH08010	BOLT HEX, 1/4 X 1 G5
10	1	GH7	HOPPER WINDOW
11	10	YWFL08005	WASHER, FLAT, 1/4
12	10	YNNY08005	NUT HEX, NYLON LOCKNUT, 1/4
13	1	0226RU02	UPPER HOPPER SEAL
14	1	BBS68	DOOR RUBBER
15	2	0226MS01	BRUSH HOLDER, 1-1/4
16	2	0226MS04	BRUSH LONG, 2
17	2	YBHH12130	BOLT HEX, 3/8 X 3/4 G2
18	4	YNHX12005	NUT HEX, 3/8
19	1	GH8	FOLDING CRANK
20	1	0226WE04	REAR DOOR DRIVE
21	1	GH11	DRAG BLOCK TIGHTENER
22	1	82472	SIDE EXTENSION RH
23	1	82470	SIDE EXTENSION LH
24	1	YBHH12200	BOLT HEX, 3/8 X 5 G5
25	1	GH4	REAR HOPPER DOOR
26	2	HGV162	RUBBER WIRE HOLDER, 1/2

FIGURE 34 SCREEN FILLER KIT

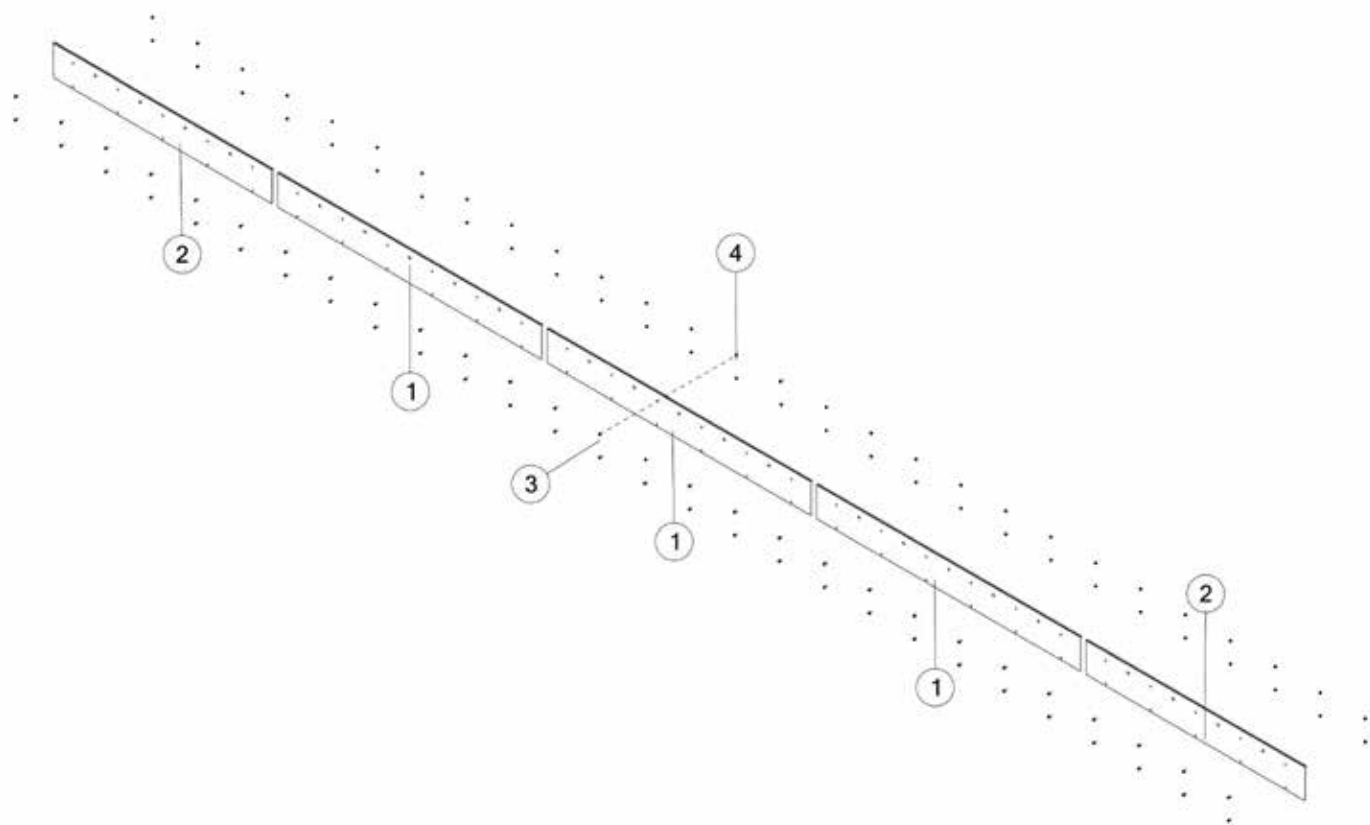


FIGURE 34
SCREEN FILLER KIT

<u>ITEM</u>	<u>QTY</u>	<u>PART#</u>	<u>DESCRIPTION</u>
1	3	82464	SCREEN COVER
2	2	82466	REAR SCREEN COVER
3	56	YBFB10075	BOLT FLANGE, 5/16 X 3/4 G5
4	56	YNFG10005	NUT FLANGE, 5/16

FIGURE 35
OPTIONAL ROOF HOOD

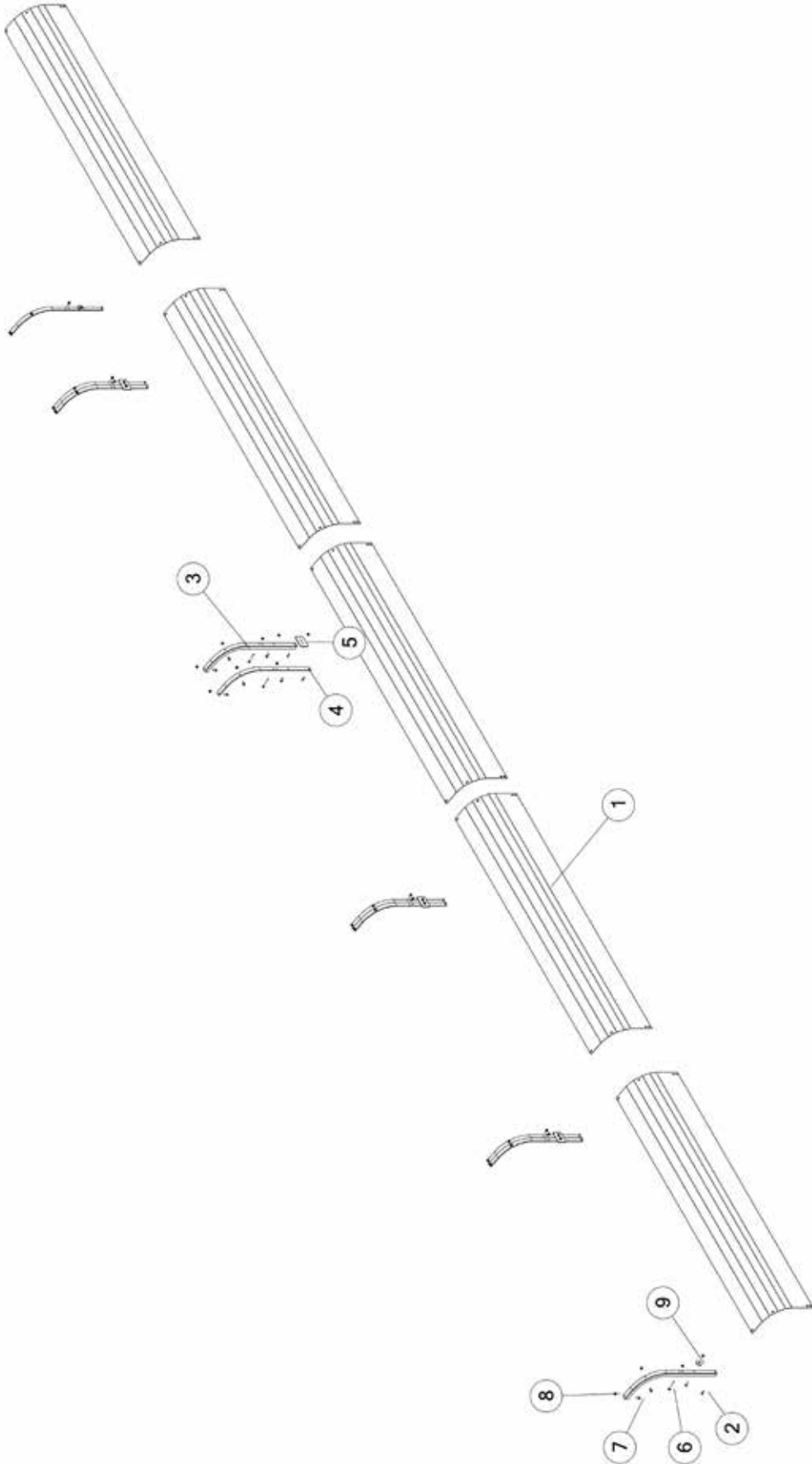


FIGURE 35
OPTIONAL ROOF HOOD

<u>ITEM</u>	<u>QTY</u>	<u>PART#</u>	<u>DESCRIPTION</u>
1	4	86789	ROOF EDGE RADIUS
2	10	YSDR08005	SCREW SELF DRILLING, HEX HEAD WASHER, 1/4-14 X 1
3	5	86756	ROOF RADIUS SUPPORT LH
4	5	86755	ROOF RADIUS SUPPORT RH
5	4	82969	ROOF HOOD SCREEN WASHER
6	11	YBFB10300	BOLT FLANGE, 5/16 X 3 G5
7	32	YBFB10001	BOLT FLANGE, 5/16 X 1 G5
8	43	YNFG10005	NUT FLANGE, 5/16
9	2	YWCU12005	WASHER, CUSTOM, FLAT

CHANGE NOTES

1. Updated Figure 15, 16, 17, 18, 20 and added Figure 33
2. Added last three items to Figure 29

H&S MFG. CO.

products approved

for the

FEMA

SEAL OF QUALITY

