

**H&S**

**PARTS BOOK**

**TD1140**

Revision #00  
Starting Ser.4ULJB4228KS002001

Part #81386  
HSMFG0718

**2608 S. HUME AVE. , MARSHFIELD, WI 54449**  
**(715) 387-3414 FAX (715) 384-5463**  
**[www.hsmfgco.com](http://www.hsmfgco.com)**

# CONTENTS

Instructions for Ordering Parts .....	1
Figure 1 - Body Panels LH .....	2-3
Figure 2 - Body Panels RH .....	4-5
Figure 3 - Front Panel & Components.....	6-7
Figure 4 - Window & Components .....	8-9
Figure 5 - Front Guards & Components .....	10-11
Figure 6 - Gladhands & Components.....	12-13
Figure 7 - Floor & Components.....	14-15
Figure 8 - Chain & Components.....	16-17
Figure 9 - Idler Shaft Components .....	18-19
Figure 10 - Drive Shaft Components.....	20-21
Figure 11 - Drive Shaft Guards .....	22-23
Figure 12 - Drive Sprocket LH.....	24-25
Figure 13 - Drive Sprocket RH .....	26-27
Figure 14 - Hydraulics .....	28-29
Figure 15 - Gate Delay.....	30-31
Figure 16 - Optional Barn Doors .....	32-33
Figure 17 - Bumper & Components.....	34-35
Figure 18 - Air Lines & Components .....	36-37
Figure 19 - Air Tank & Components.....	38-39
Figure 20 - Air Valve & Components.....	40-41
Figure 21 - Landing Gear & Components .....	42-43
Figure 22 - Camshaft & Components.....	44-45
Figure 23 - Tail Light & Components.....	46-47
Figure 24 - Side Lights .....	48-49
Figure 25 - Spring Suspension.....	50-51
Figure 26 - Hub & Components .....	52-53
Figure 27 - Brakes & Components .....	54-55
Figure 28 - Extension & Components .....	56-57
Figure 29 - Tarp & Components.....	58-59
Figure 30 - Flow Control.....	61-61
Figure 31 - Grain Kit.....	62-63
Parts Notes .....	64

# **INSTRUCTIONS FOR ORDERING PARTS**

All service parts should be ordered through your authorized H&S dealer. They will be able to give you faster service if you will provide them with the following;

1. Model & Serial number are located on the left frame stringer by the jack handle.
2. All reference to left or right apply to the machine as viewed from the rear.
3. Parts should not be ordered from illustration only. Please order by complete part number.
4. If your dealer has to order parts - give shipping instructions:

VIA truck - large pieces (please specify local truck lines)

VIA United Parcel Service (include full address)

<b>H&amp;S MFG. CO. INC.</b>	
<b>MARSHFIELD, WIS.</b>	
<b>MOD. NO.</b>	<input type="text"/>
<b>SER. NO.</b>	<input type="text"/>
<b>DESCR.</b>	<input type="text"/>

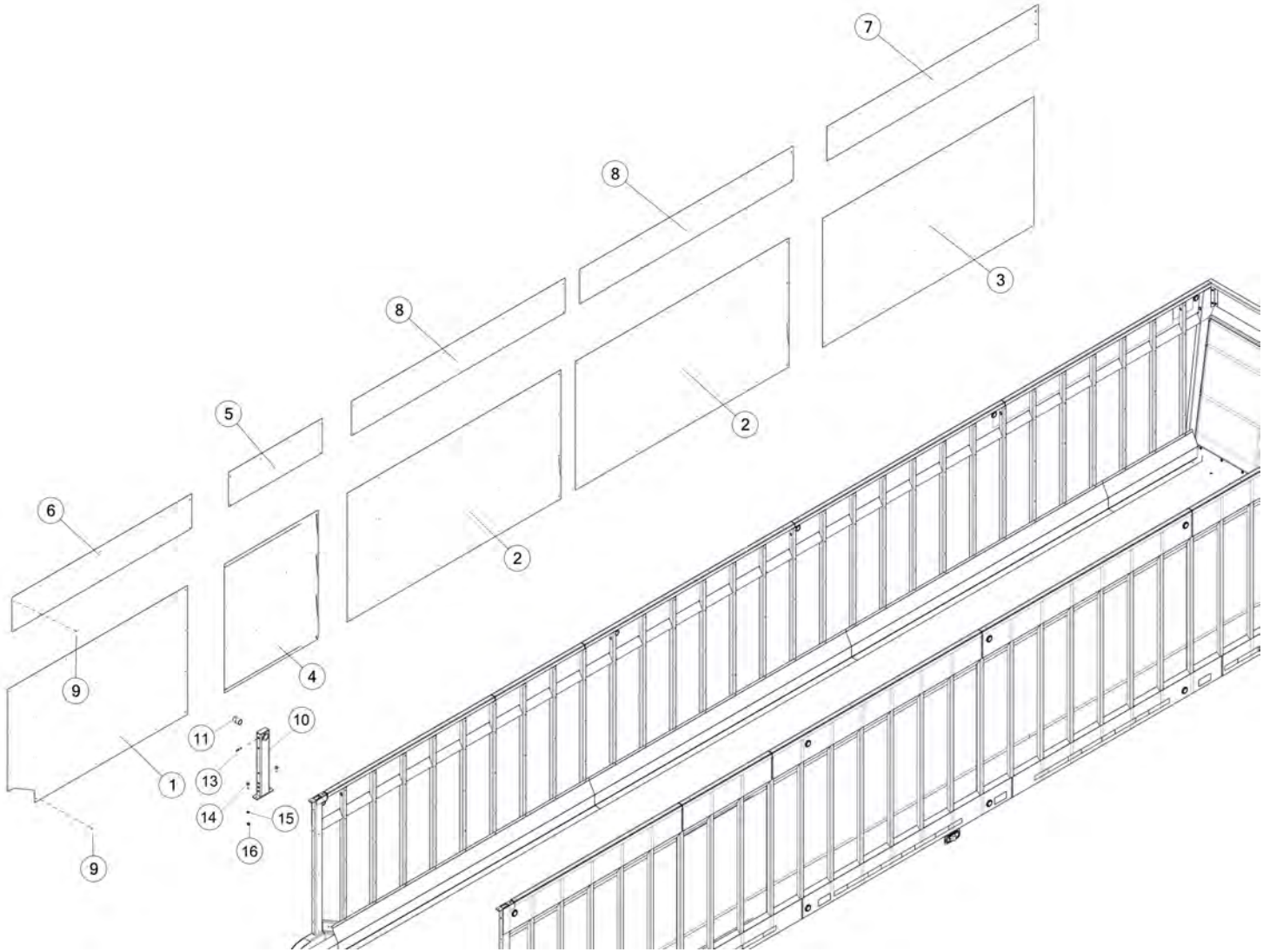
PLEASE RECORD NUMBERS FOR YOUR UNIT FOR QUICK REFERENCE

## **ABOUT IMPROVEMENTS**

H&S IS CONTINUALLY STRIVING TO IMPROVE IT'S PRODUCTS

We must therefore, reserve the right to make improvements or changes whenever it becomes practical to do so without incurring any obligation to make changes or additions to the equipment previously sold.

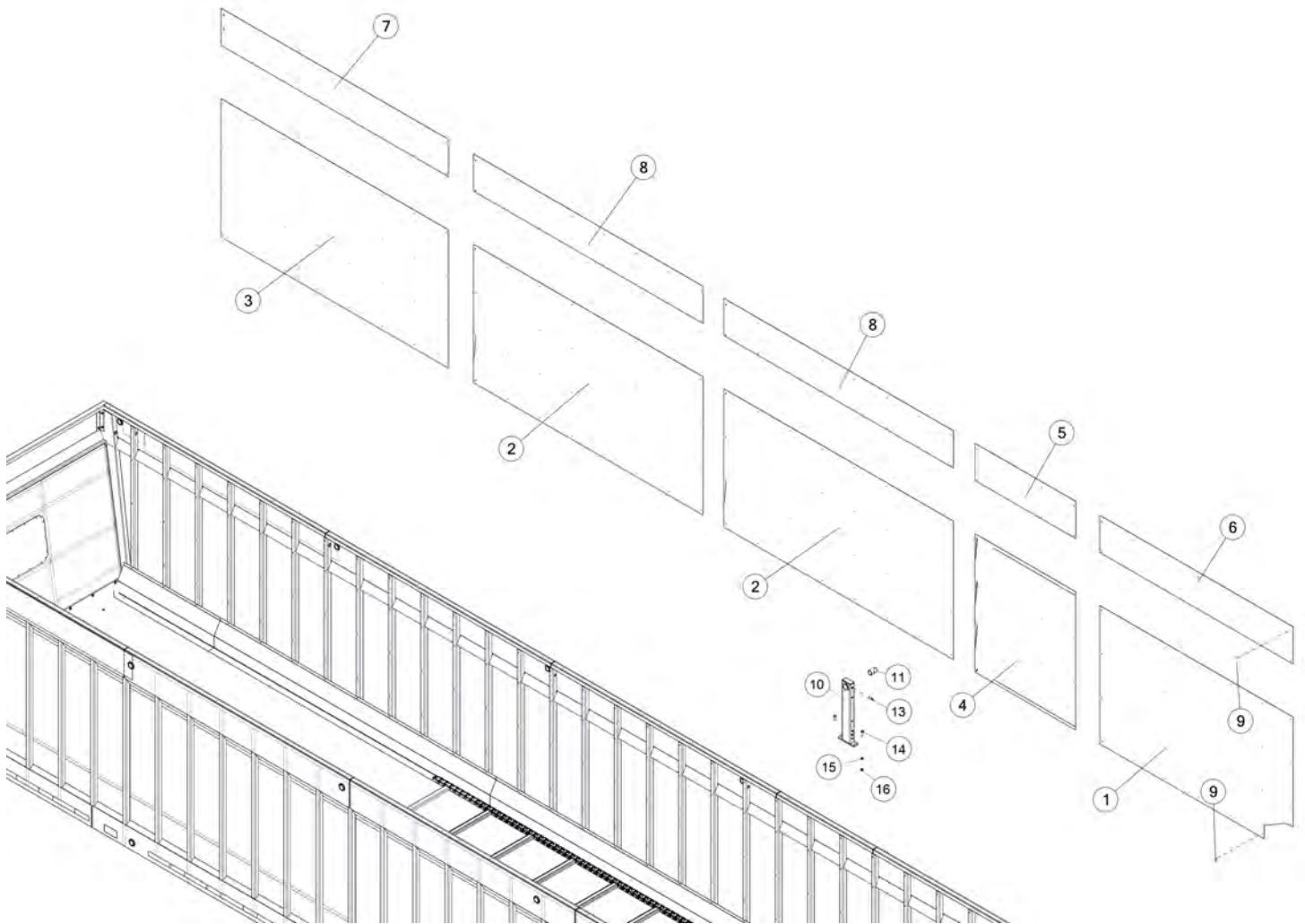
**FIGURE 1**  
**BODY PANELS LH**



**FIGURE 1**  
**BODY PANELS LH**

<b><u>ITEM</u></b>	<b><u>QTY</u></b>	<b><u>PART #</u></b>	<b><u>DESCRIPTION</u></b>
1	1	78451	SS PANEL, REAR, LH
2	2	78452	SS PANEL, CENTER
3	1	78453	SS PANEL, FRONT
4	1	78822	SS PANEL, SHORT FILLER
5	1	54082	SIDE EXTENSION, REAR
6	1	BBS70	SIDE EXTENSION, REAR
7	1	BBS71	SIDE EXTENSION, FRONT
8	2	BBST16G11	SIDE EXTENSION, CENTER
9	182	1043	HUCK RIVET
10	1	78058	STAKE ASSEMBLY
11	1	BBS39	BUSHING
12	1	16SV26	ZERK, 1/8 NPT X 2-3/32
13	2	YBHH16030	BOLT, 1/2 X 1-1/2
14	1	YWLO16005	WASHER LOCK, 1/2
15	1	YNHX16005	NUT HEX, 1/2

**FIGURE 2**  
**BODY PANELS RH**

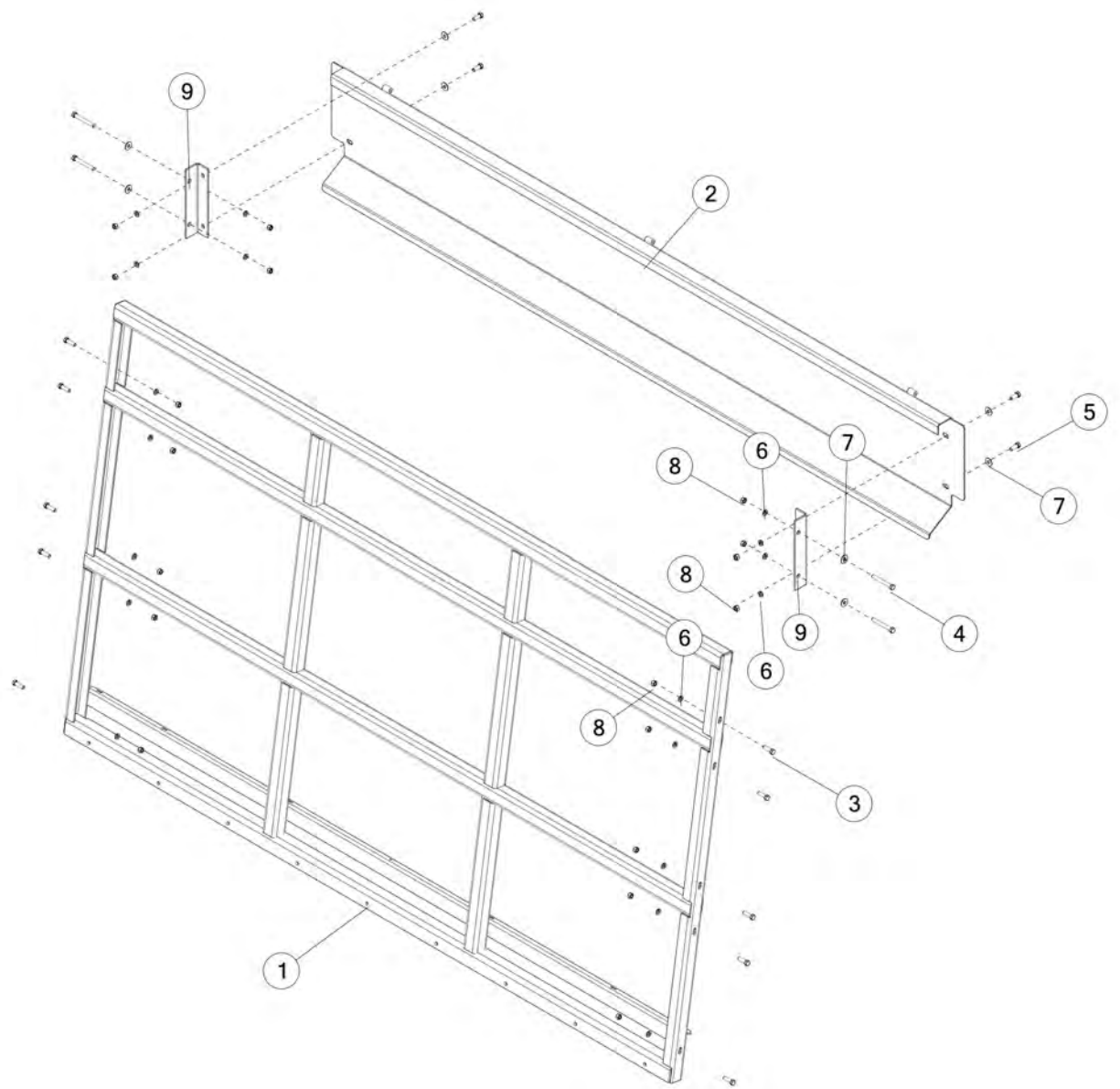


## FIGURE 2

### BODY PANELS RH

<u>ITEM</u>	<u>QTY</u>	<u>PART #</u>	<u>DESCRIPTION</u>
1	1	78052	SS PANEL, REAR, RH
2	2	78452	SS PANEL, CENTER
3	1	78453	SS PANEL, FRONT
4	1	78822	SS PANEL, SHORT FILLER
5	1	54082	SIDE EXTENSION, REAR
6	1	BBS70	SIDE EXTENSION, REAR
7	1	BBS71	SIDE EXTENSION FRONT
8	2	BBST16G11	SIDE EXTENSION, CENTER
9	182	1043	HUCK RIVET
10	1	78058	STAKE ASSEMBLY
11	1	BBS39	BUSHING
12	1	16SV26	ZERK, 1/8 NPT X 2-3/32
13	2	YBHH16030	BOLT, 1/2 X 1-1/2
14	1	YWLO16005	WASHER LOCK, 1/2
15	1	YNHX16005	NUT HEX, 1/2

**FIGURE 3**  
**FRONT PANEL & COMPONENTS**



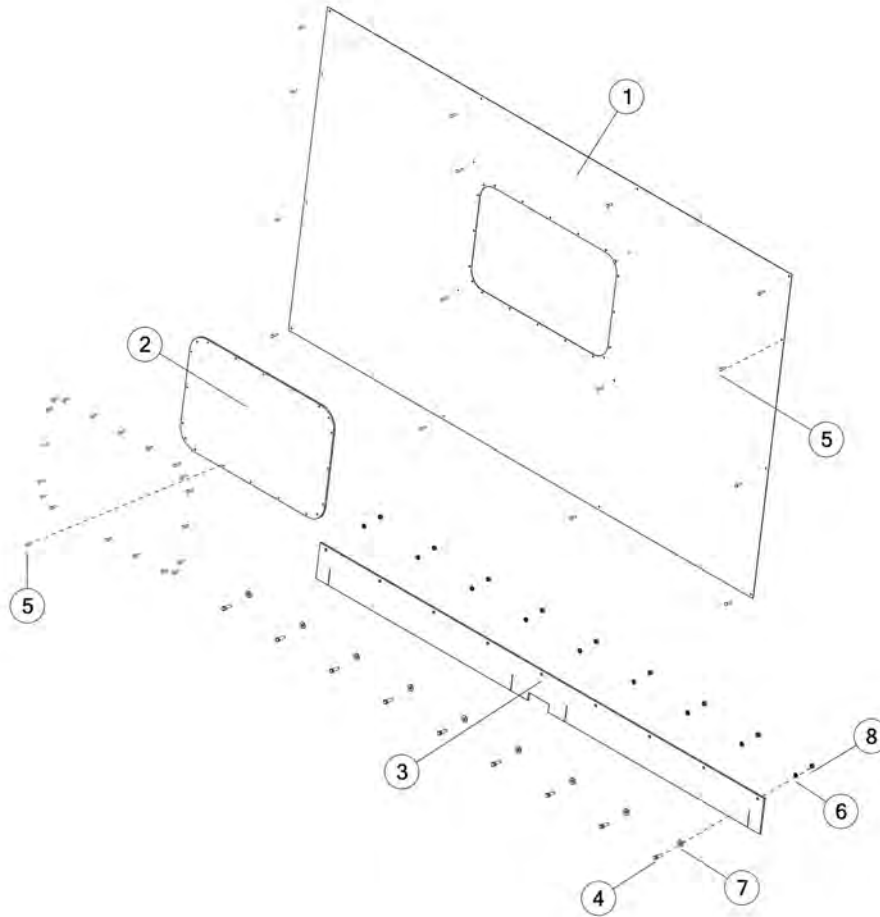


## FIGURE 3

### FRONT PANEL & COMPONENTS

<u>ITEM</u>	<u>QTY</u>	<u>PART #</u>	<u>DESCRIPTION</u>
1	1	78093	FRAME WLDMT
2	1	78276	FRONT PANEL WLDMNT
3	10	YBHH12035	BOLT, 3/8 X 1-1/4 G5
4	4	YBHH12120	BOLT, 3/8 X 3 G5
5	4	YBHH12010	BOLT, 3/8 X 1 G5
6	18	YWLO12005	WASHER LOCK, 3/8
7	8	YWFL12005	WASHER,FLAT, 3/8 USS
8	18	YNHX12005	NUT HEX, 3/8
9	2	02306G01	FRONT PANEL MOUNT

**FIGURE 4**  
**WINDOW & COMPONENTS**

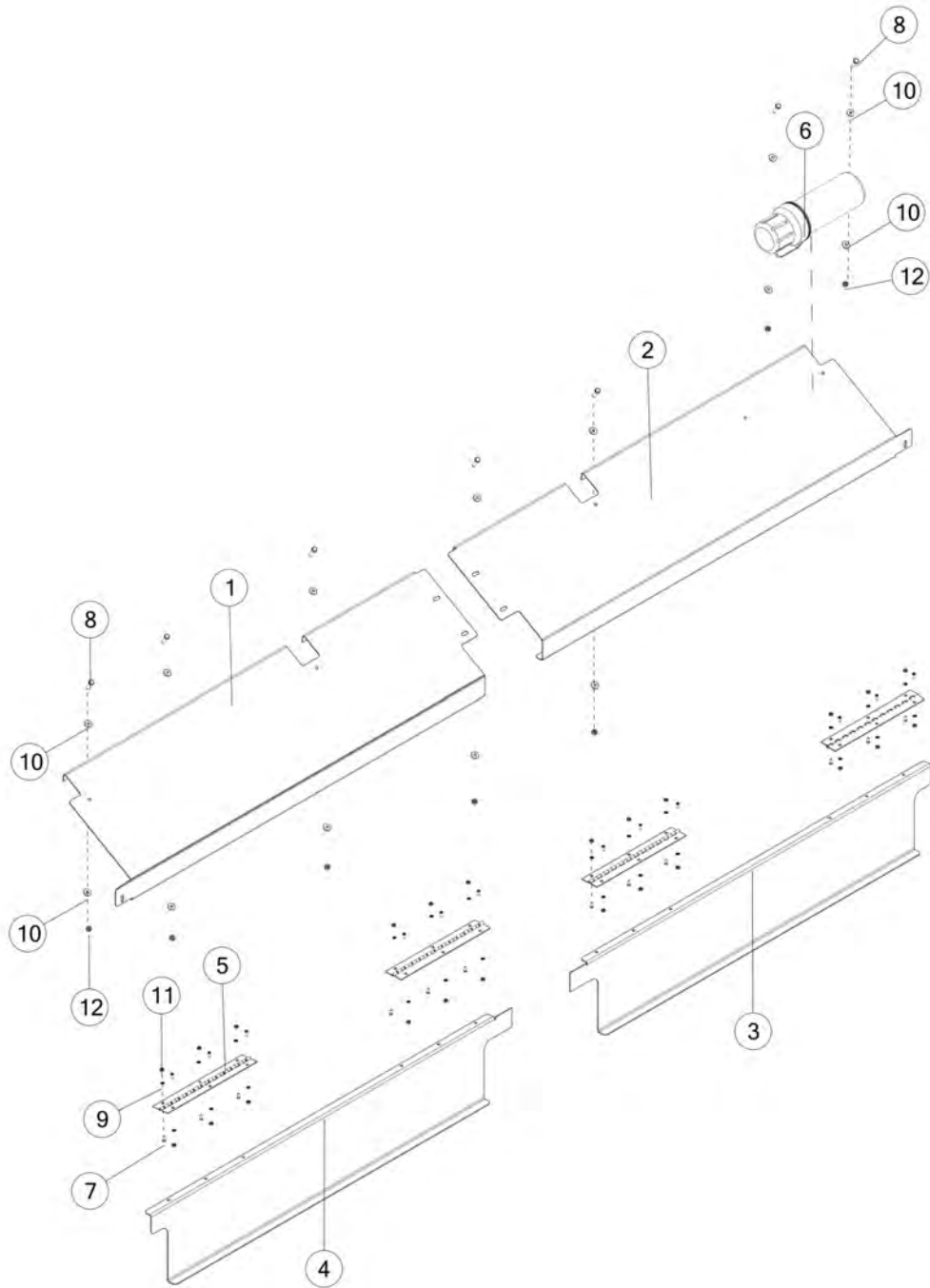


## FIGURE 4

### WINDOW & COMPONENTS

<u>ITEM</u>	<u>QTY</u>	<u>PART #</u>	<u>DESCRIPTION</u>
1	1	78092	FRONT PANEL
2	1	55839	WINDOW WITH HOLES
3	1	78274	FRONT SEAL RUBBER
4	9	YBHH12035	BOLT, 3/8 X 1-1/4 G5
5	20	1043	HUCK RIVET
6	9	YWLO12005	WASHER LOCK, 3/8
7	9	YWFL12005	WASHER FLAT, 3/8 USS
8	9	YNHX12005	NUT HEX, 3/8

**FIGURE 5**  
**FRONT GUARDS & COMPONENTS**

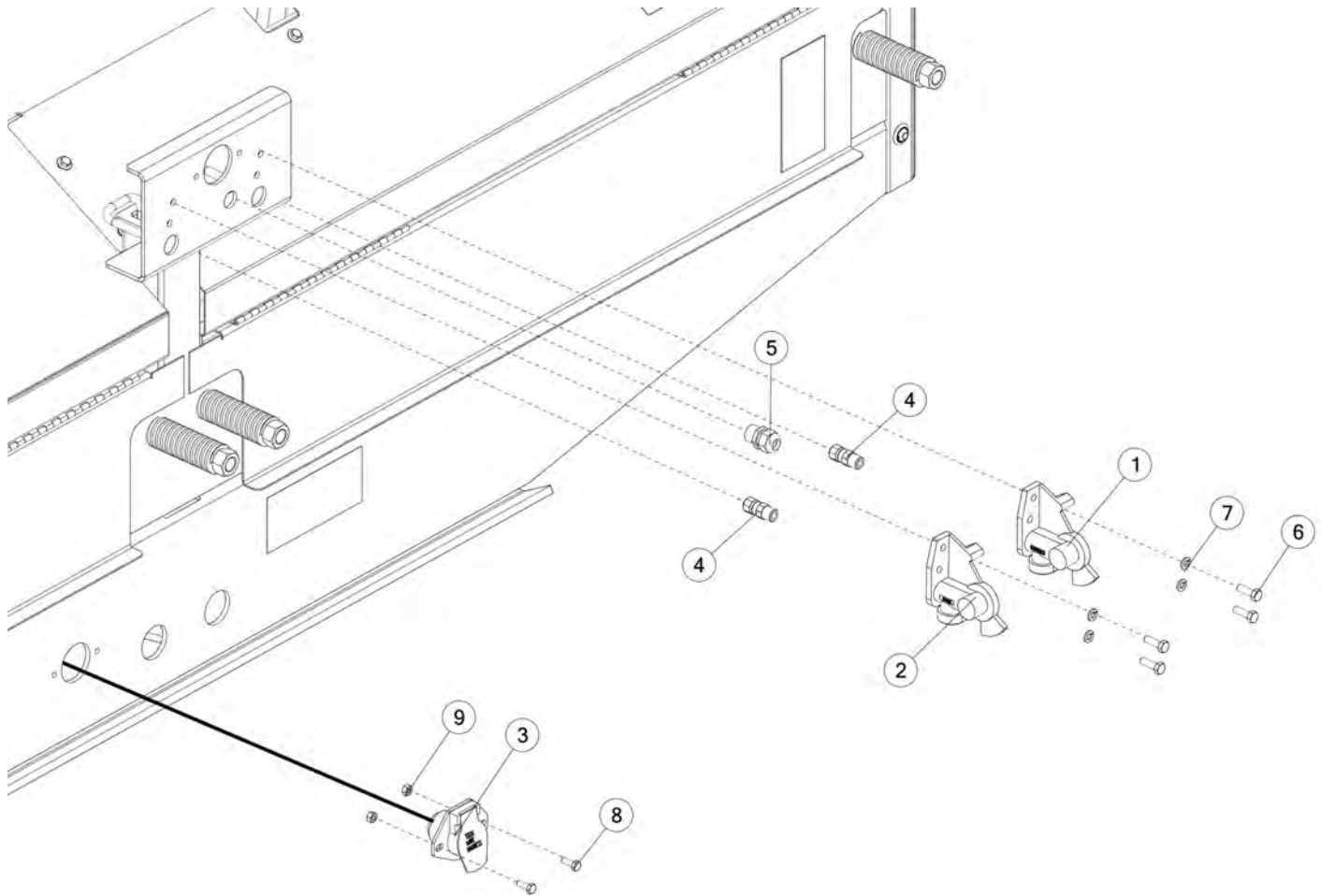


## FIGURE 5

### FRONT GUARDS & COMPONENTS

<u>ITEM</u>	<u>QTY</u>	<u>PART #</u>	<u>DESCRIPTION</u>
1	1	BBS72	FRONT SHIELD
2	1	BBST14G28B	FRONT SHIELD, SLANT LEFT
3	1	BBST14G20B	FRONT SHIELD, BOTTOM LEFT
4	1	BBS73B	FRONT SHIELD, BOTTOM
5	4	BBSTMS15	HINGE 12
6	1	S522	MANUAL HOLDER
7	24	YSFM62005	FLAT HEAD CAP SCREW, #8-32 X 1/2
8	8	YBHH08010	BOLT, 1/4 X 1 G5
9	27	YWSI62005	LOCK WASHER, #8
10	8	YWFL08005	WASHER FLAT, 1/4 USS
11	24	YNHX62005	NUT HEX MACHINE, #8-32
12	8	YNHX08005	NUT HEX,

**FIGURE 6**  
**GLADHANDS & COMPONENTS**

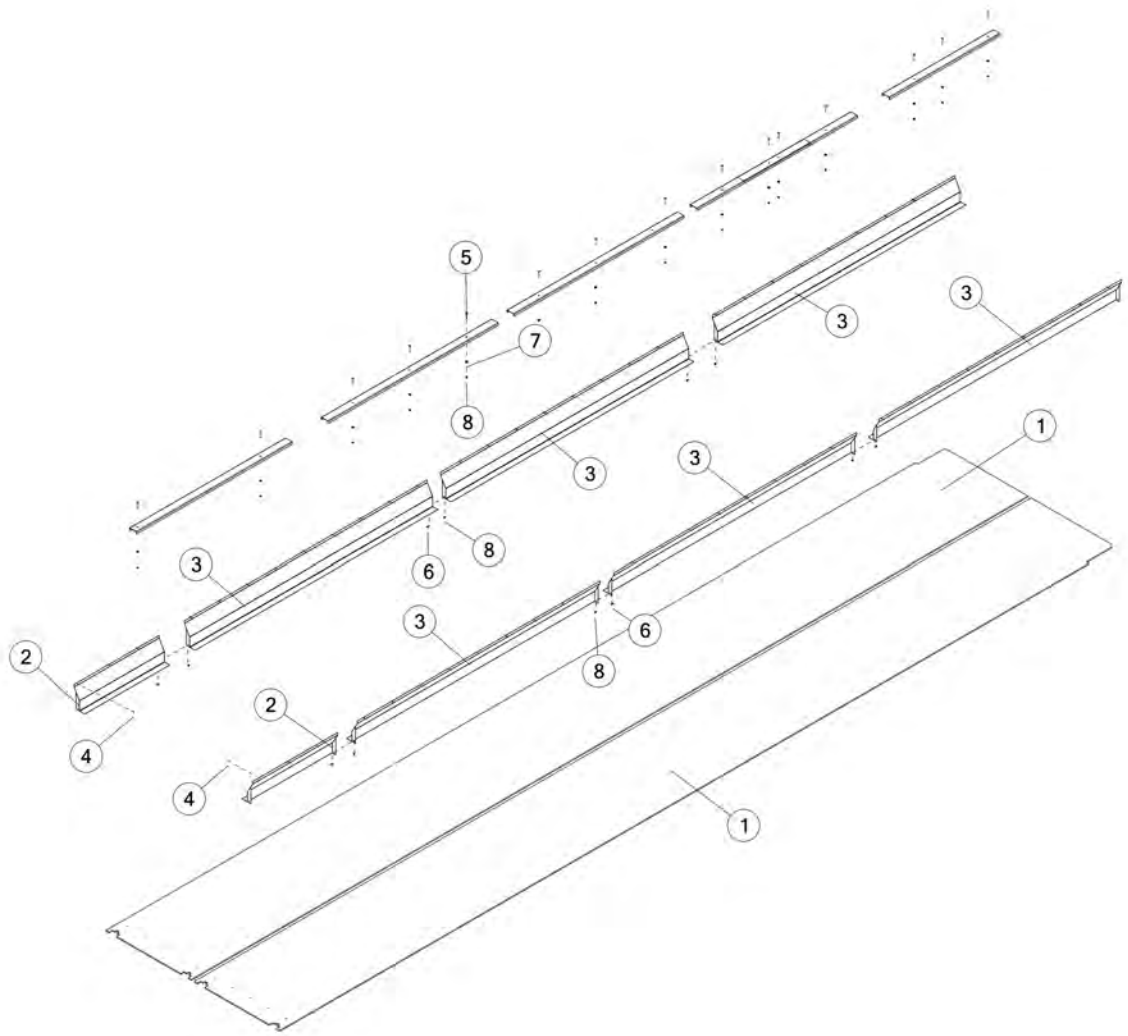


## FIGURE 6

### GLADHANDS & COMPONENTS

<u>ITEM</u>	<u>QTY</u>	<u>PART #</u>	<u>DESCRIPTION</u>
1	1	1015	37 DEGREE EMERGENCY GLADHAND (RED)
2	1	1014	37 DEGREE SERVICE GLADHAND (BLUE)
3	1	78653	ELEC HARNESS
4	2	1032	MALE CONNECTOR, 3/8
5	1	GD23	STRAIN RELIEF CONNECTOR
6	4	YBHH10010	BOLT HEX, 5/16 X 1 G5
7	4	YWLO10005	WASHER LOCK, 5/16
8	2	YBHH08100	BOLT, 1/4 G5
9	2	YNTL08005	NUT HEX, 1/4

**FIGURE 7**  
**FLOOR & COMPONENTS**



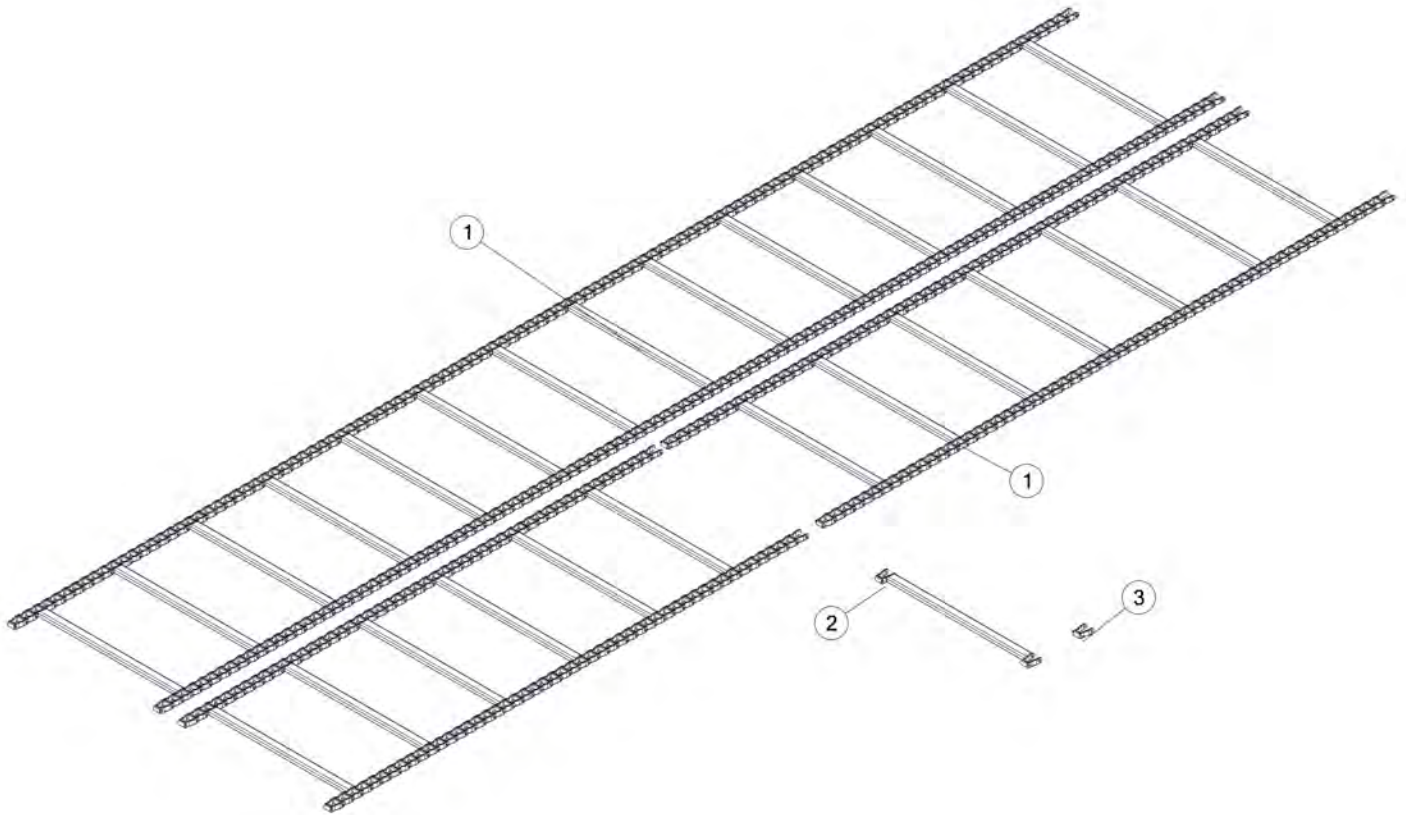


## FIGURE 7

### FLOOR & COMPONENTS

<u>ITEM</u>	<u>QTY</u>	<u>PART #</u>	<u>DESCRIPTION</u>
1	2	54074	POLY FLOOR
2	2	54067	INSIDE SIDE SLANT
3	6	BBS30	NSIDE SIDE SLANT
4	58	1043	HUCK RIVET
5	15	YBCR12050	BOLT CARR, 3/8 X 2-3/4 G5
6	6	YBHH12135	BOLT, 3/8 X 3/4 G5
7	15	YWFL12005	FLAT WASHER, 3/8 USS
8	21	YNNY12005	NUT HEX, 3/8 G2

**FIGURE 8**  
**CHAIN & COMPONENTS**

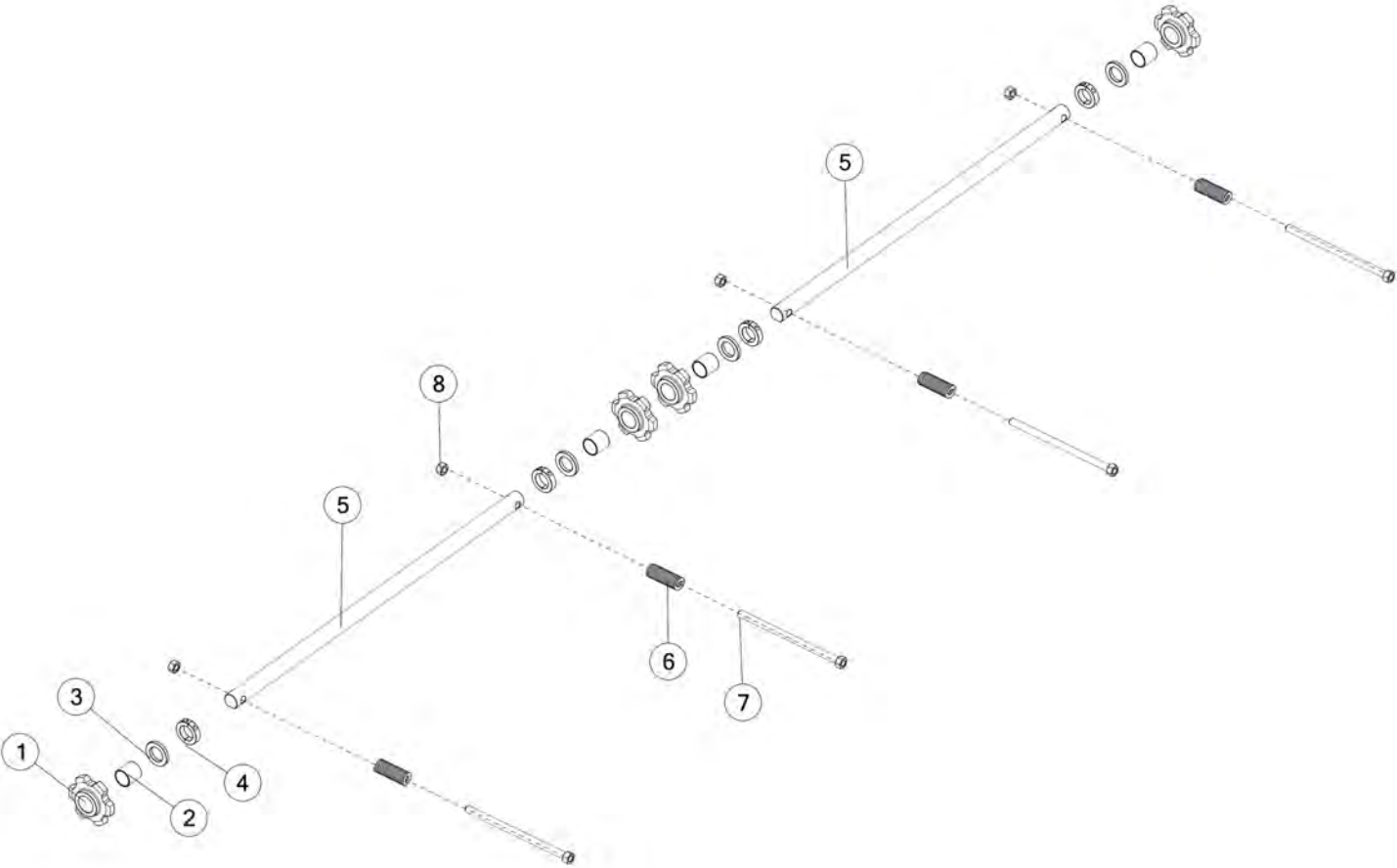


## FIGURE 8

### CHAIN & COMPONENTS

<u>ITEM</u>	<u>QTY</u>	<u>PART #</u>	<u>DESCRIPTION</u>
1	2	78317	APRON CHAIN
2	14	8060	CHAIN SLAT
3	480	8061	CONNECTOR LINK

**FIGURE 9**  
**IDLER SHAFT COMPONENTS**



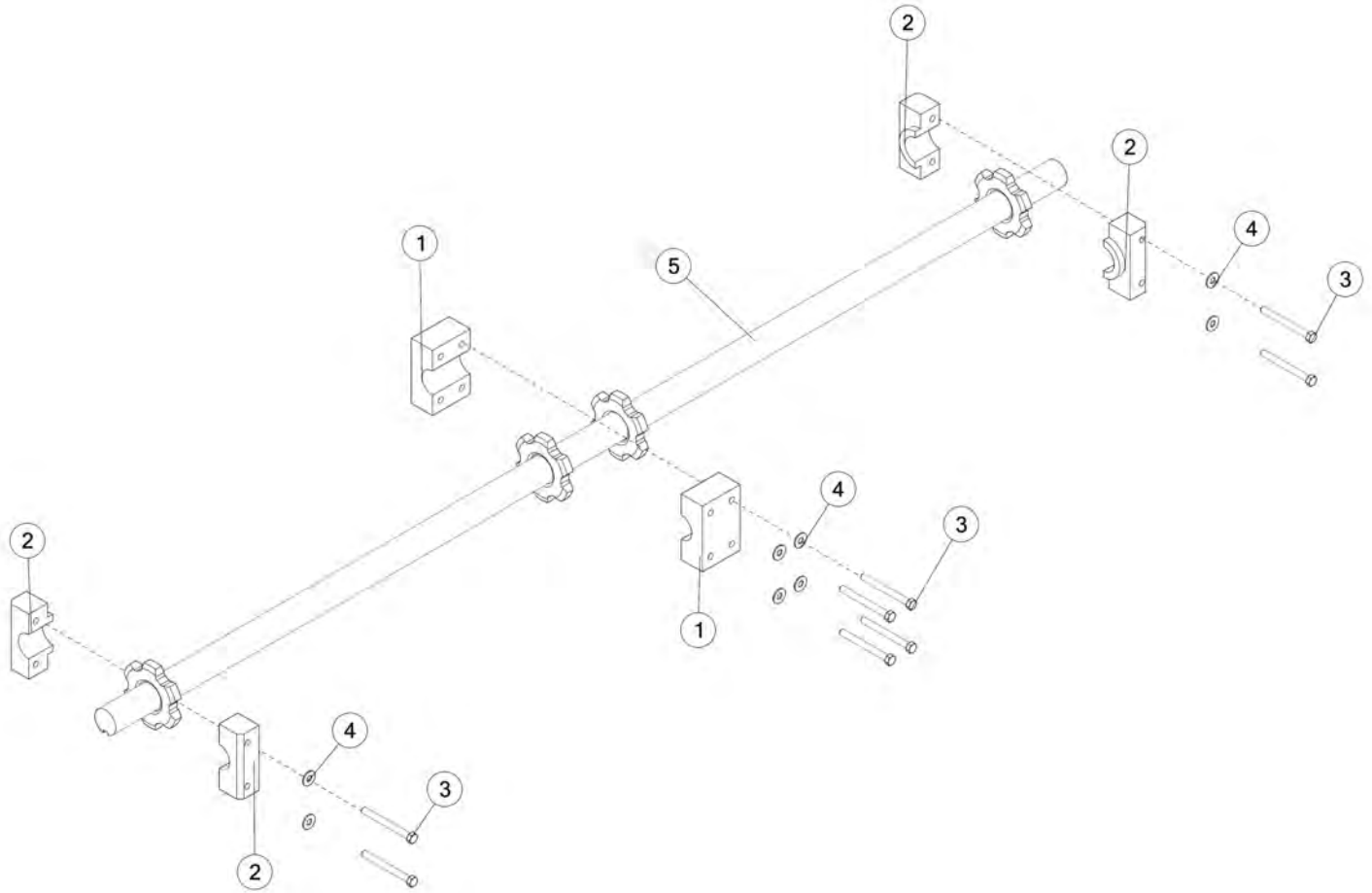
## FIGURE 9

### IDLER SHAFT COMPONENTS

<u>ITEM</u>	<u>QTY</u>	<u>PART #</u>	<u>DESCRIPTION</u>
1	4	BBSTSH07	IDLER SPROCKET
2	4	RGT3	BUSHING
3	4	BBSTPL05	IDLER SPROCKET POLY SPACER
4	4	8340	STEEL SPLIT SHAFT COLLAR
5	4	BBS29	IDLER SHAFT FRONT
6	7	BBS35	COMPRESSION SPRING
7	7	BBS34	TIGHTENER ROD

# FIGURE 10

## DRIVE SHAFT & COMPONENTS

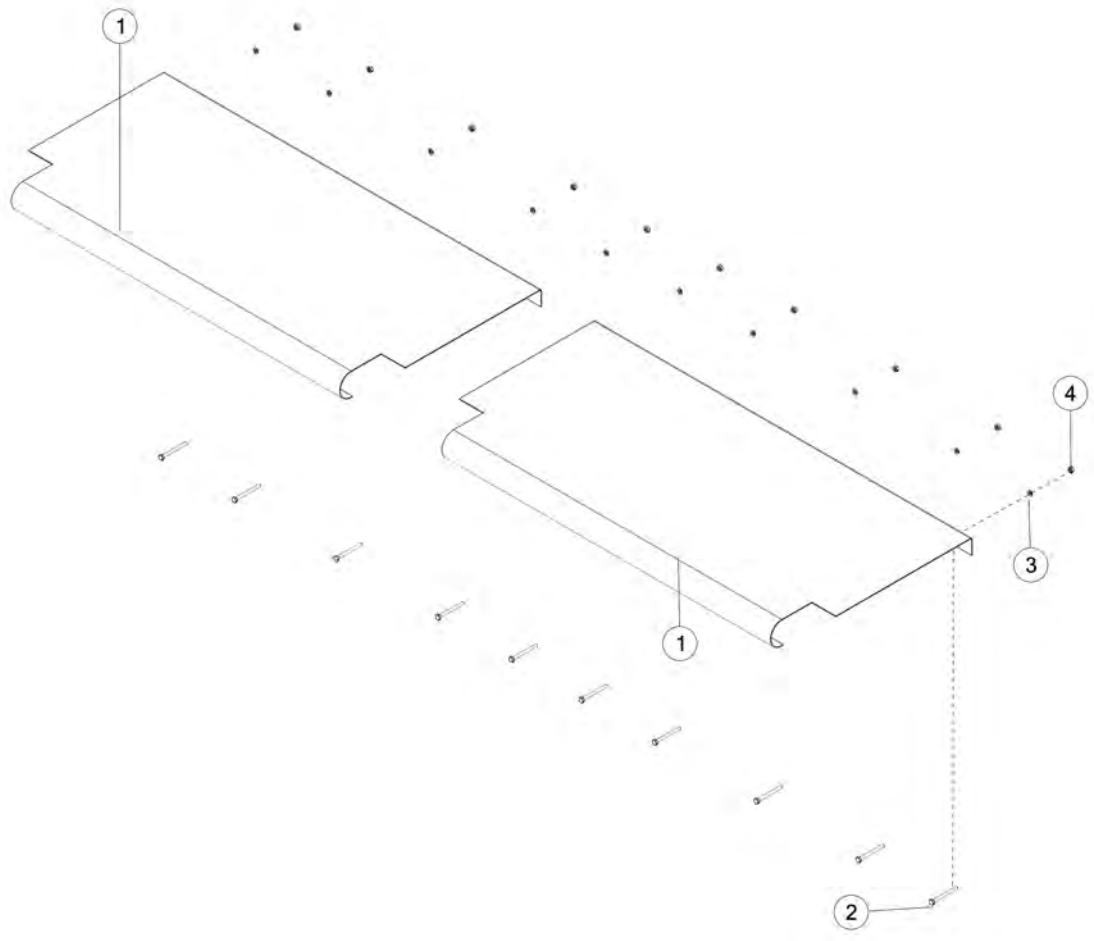


## FIGURE 10

### DRIVE SHAFT & COMPONENTS

<u>ITEM</u>	<u>QTY</u>	<u>PART #</u>	<u>DESCRIPTION</u>
1	2	BBS62	DRIVE SHAFT BRACKET
2	4	BBS63	OUTER DRIVESHAFT BEARING
3	8	YBHH16155	BOLT, 1/2 X 5 GR 5
4	8	YWFL16005	WASHER FLAT, 1/2 USS
5	1	BBSTWE04	DRIVE SHAFT

**FIGURE 11**  
**DRIVE SHAFT GUARDS**





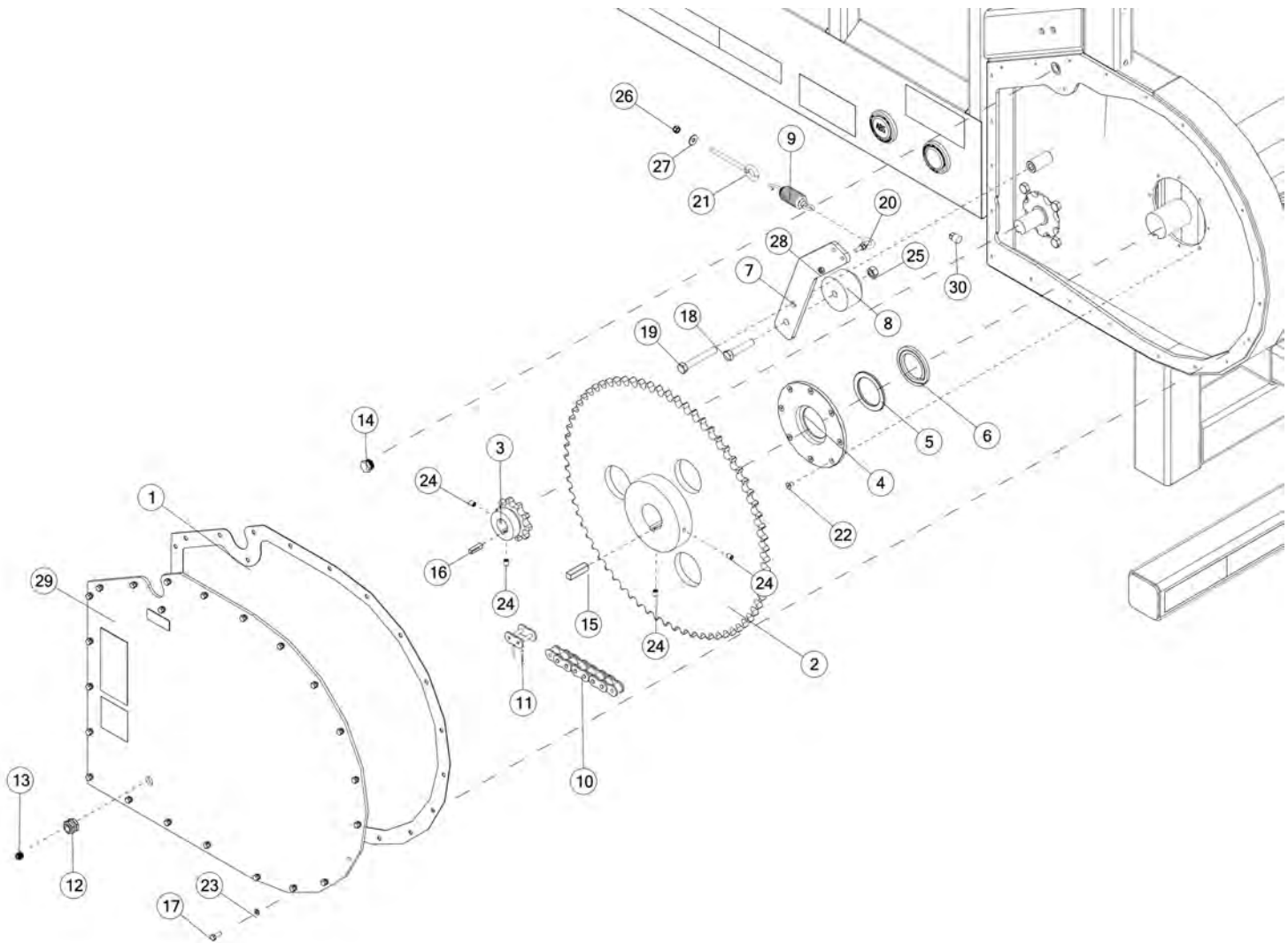
## FIGURE 11

### DRIVE SHAFT GUARDS

<u>ITEM</u>	<u>QTY</u>	<u>PART #</u>	<u>DESCRIPTION</u>
1	2	BBS76	DRIVE SHAFT GUARD
2	10	YBHH08070	BOLT, 1/4 X 2-3/4 G5
3	10	YWLO08005	WASHER LOCK, 1/4,
4	10	YNHX08005	NUT HEX, 1/4

# FIGURE 12

## DRIVE SPROCKET LH



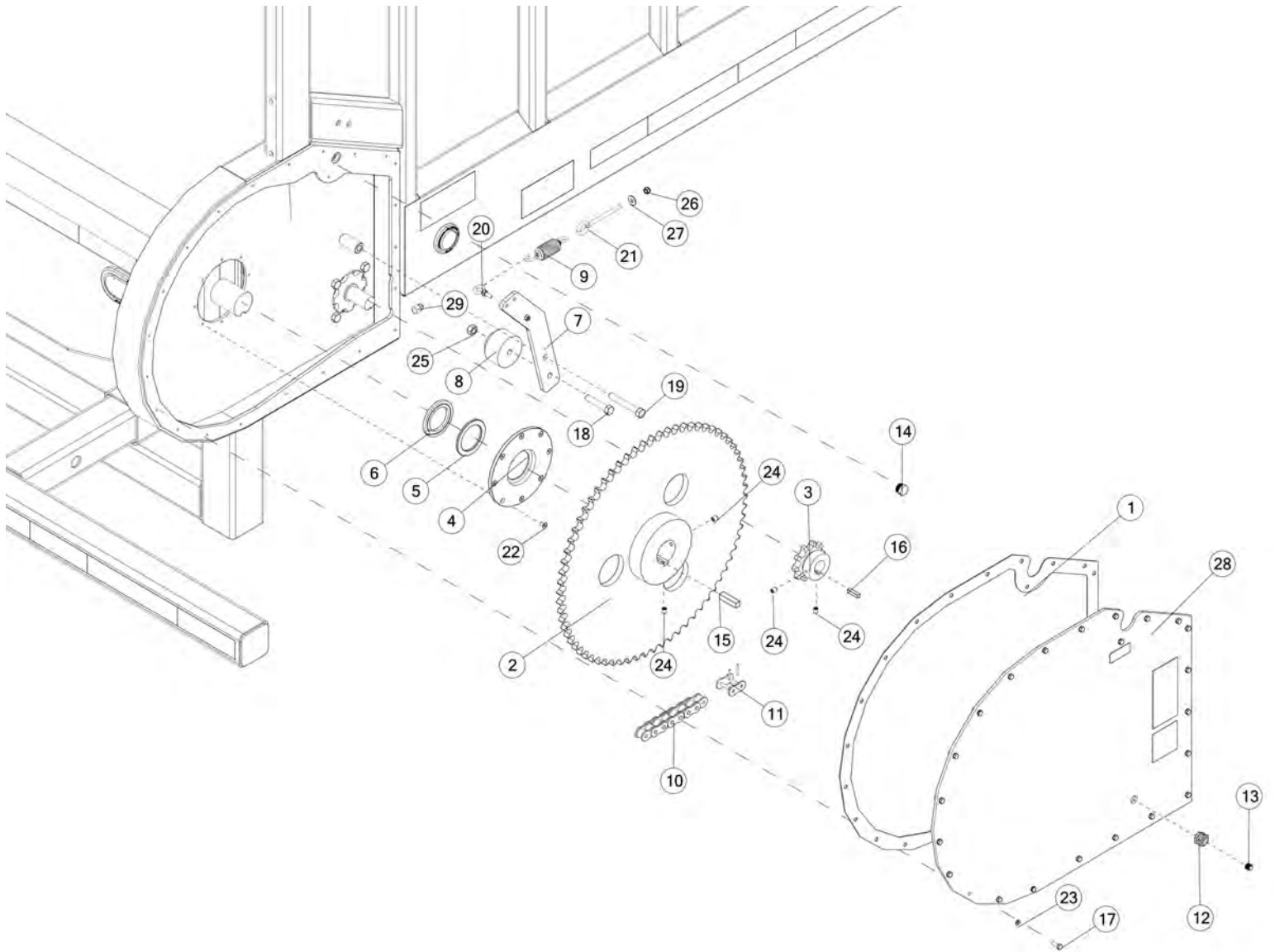
## FIGURE 12

### DRIVE SPROCKET LH

<u>ITEM</u>	<u>QTY</u>	<u>PART #</u>	<u>DESCRIPTION</u>
1	1	BBSTMS13	SPROCKET COVER GASKET
2	1	BBS60	DRIVEN SPROCKET
3	1	BBS61	DRIVE SPROCKET
4	1	BBSTHF19	BBST SEAL PLATE
5	1	BBSTTU27	BBST SEAL RETAINER PLATE
6	1	BBSTMS23	BBST ROPESEAL
7	1	BBS9	TIGHTENER BAR
8	1	BBS10	POLY TIGHTENER
9	1	GM410	EXTENSION SPRING
10	1	1042	ROLLER CHAIN, 81
11	1	IFB17	CONNECTOR LINK, #80 (HEAVY)
12	1	56092	FITTING, 1/4 NPT THROUGH-WALL
13	1	YMPP08005	FITTING, 1/4 HEX SOCKET PLUG
14	1	BFR70	VENT PLUG, 3/8
15	1	BBS59	SQUARE KEY, 0.50 X 0.50 X 2.00
16	1	G23A	SQUARE KEY, SQ, 0.25 X 0.25 X 1.25
17	23	YBHH08100	BOLT, 1/4 X 3/4 G5
18	1	YBHH16080	BOLT, 1/2 X 2-1/2 G5
19	1	YBHH16115	BOLT, 1/2 X 3-1/2 G5
20	1	YBTE08005	BOLT TURNED EYE, 1/4 X 1
21	1	YBTE10040	BOLT TURNED EYE, 5/16 X 4
22	8	YSFM08005	BOLT FLAT SOK, 1/4 X 1/2
23	23	YWLO08005	WASHER LOCK, 1/4
24	4	YSKP12010	SET SCREW, 3/8 X 1/2
25	1	YNHX16005	NUT HEX, 1/2
26	1	YNNY10005	NUT HEX, 5/16 G2
27	1	YWFL10005	WASHER FLAT, 5/16 USS
28	1	YNHX08005	NUT HEX, 1/4
29	1	BBSTAS14	ASSY, SPROCKET COVER LEFT
30	1	G65	VENT PLUG

# FIGURE 13

## DRIVE SPROCKET RH



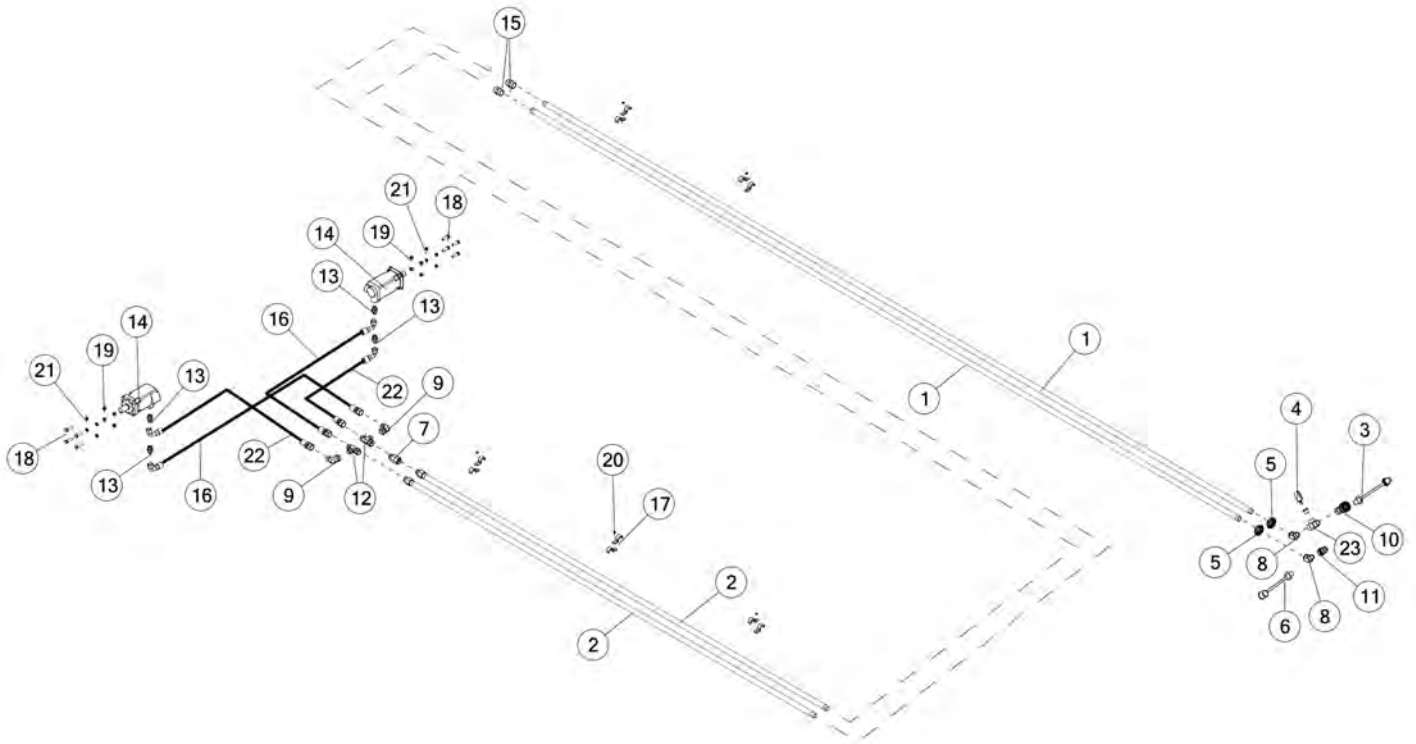
## FIGURE 13

### DRIVE SPROCKET RH

<u>ITEM</u>	<u>QTY</u>	<u>PART #</u>	<u>DESCRIPTION</u>
1	1	BBSTMS13	SPROCKET COVER GASKET
2	1	BBS60	DRIVEN SPROCKET
3	1	BBS61	DRIVE SPROCKET
4	1	BBSTHF19	BBST SEAL PLATE
5	1	BBSTTU27	BBST SEAL RETAINER PLATE
6	1	BBSTMS23	BBST ROPESEAL
7	1	BBS9	TIGHTENER BAR
8	1	BBS10	POLY TIGHTENER
9	1	GM410	EXTENSION SPRING
10	1	1042	ROLLER CHAIN, 81
11	1	IFB17	CONNECTOR LINK, #80 (HEAVY)
12	1	56092	FITTING, 1/4 NPT THROUGH-WALL
13	1	YMPP08005	FITTING, 1/4 HEX SOCKET PLUG
14	1	BFR70	VENT PLUG, 3/8
15	1	BBS59	SQUARE KEY, 0.50 X 0.50 X 2.00
16	1	G23A	SQUARE KEY, SQ, 0.25 X 0.25 X 1.25
17	23	YBHH08100	BOLT, 1/4 X 3/4 G5
18	1	YBHH16080	BOLT, 1/2 X 2-1/2 G5
19	1	YBHH16115	BOLT, 1/2 X 3-1/2 G5
20	1	YBTE08005	BOLT TURNED EYE, 1/4 X 1
21	1	YBTE10040	BOLT TURNED EYE, 5/16 X 4
22	8	YSFM08005	BOLT FLAT SOK, 1/4 X 1/2
23	23	YWLO08005	WASHER, LOCK, 1/4, ZINC
24	4	YSKP12010	SET SCREW, 3/8 X 1/2
25	1	YNHX16005	NUT HEX, 1/2
26	1	YNNY10005	NUT HEX, 5/16 G2
27	1	YWFL10005	WASHER FLAT, 5/16 USS
28	1	BBSTAS15	ASSY, SPROCKET COVER RIGHT
29	1	G65	VENT PLUG

# FIGURE 14

## HYDRAULICS



# FIGURE 14

## HYDRAULICS

<u>ITEM</u>	<u>QTY</u>	<u>PART #</u>	<u>DESCRIPTION</u>
1	2	BBSTPI02	HYDRAULIC LINE
2	2	79549	HYDRAULIC LINE
3	1	79642	COUPLER DUST PLUG
4	1	BBS33	4000 PSI GAUGE
5	2	BBS91	ROUND LIGHT GROMMET
6	1	79641	NIPPLE DUST CAP
7	1	53829	CHECK VALVE
8	2	79550	FITTING, 45, 1NPT X 1NPT
9	2	8021	SWIVEL NUT ELBOW
10	1	BBS31	QUICK COUPLER - FEMALE
11	2	BBS32	QUICK COUPLER - MALE
12	2	CHM182	SWIVEL NUT RUN TEE
13	4	SD273	FITTING, ST, 12JIC, 12ORB
14	2	33SV73	HYDRAULIC MOTOR
15	2	BBS85	MALE PIPE COUPLING
16	2	BBSTM18	HOSE, RETURN LINE
17	5	BBS86	PIPE CLAMP
18	8	YBHH16055	BOLT HEX, 1/2 X 1-3/4 G5
19	8	YNHX16005	NUT HEX, 1/2 G2
20	5	YNNY08005	NUT HEX, 1/4 LKNY G2
21	8	YWLO16005	WASHER LOCK, 1/2
22	2	BBSTMS17	HOSE, PRESSURE TO MOTOR
23	1	DWM113	SERVICE TEE





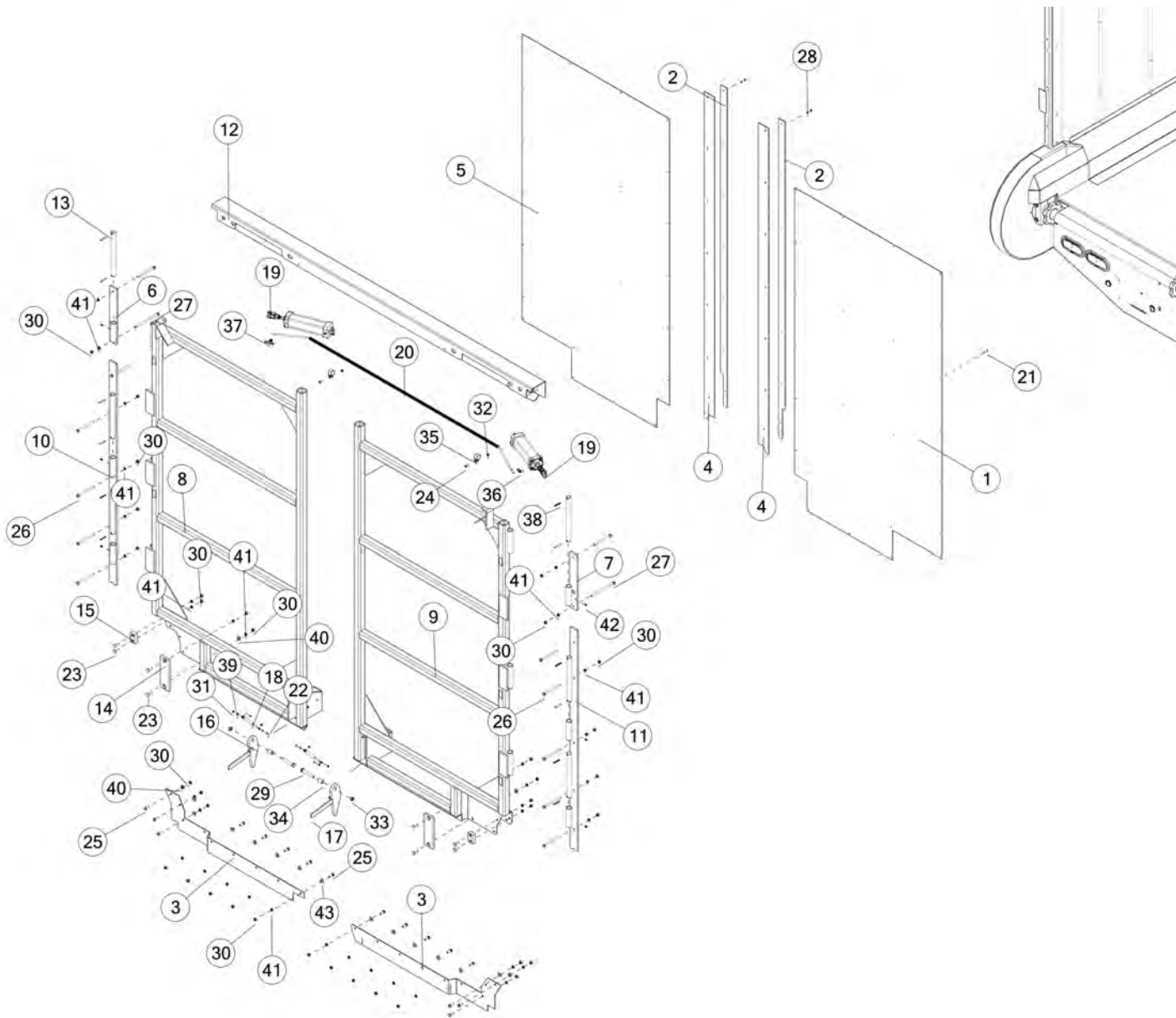
# FIGURE 15

## GATE DELAY

<u>ITEM</u>	<u>QTY</u>	<u>PART #</u>	<u>DESCRIPTION</u>
1	1	61409	DOOR SKIN, LH
2	1	BBST16G06	DOOR SKIN, RH
3	1	BBS17	DOOR
4	1	78295	DOOR RUBBER, REAR DOOR
5	3	BBS67	LATCH
6	2	55902	CORNER DOOR SEAL
7	1	55970	WE, TD ROADSIDE DOOR STOP
8	1	56155	WE, TD CURBSIDE DOOR STOP
9	1	0231-AS-03	POLY BUMPER
10	1	0231WE01	CYLINDER BASE PLATE
11	1	0231WE03	PIVOT
12	1	GD52	3-1/4 X 6 AIR CLYM COMPLETE
13	2	GD5	MALE ELBOW, 1/4
14	1	0227MS01	AIR LINE SHIELD
15	4	1097	EMT CLAMP 1/2
16	1	61598	HAND CONTROLLER, ON-OFF
17	38	1043	HUCK RIVET
18	9	YBHH12035	BOLT, 3/8 X 1-1/4 G5
19	2	YBHH12110	BOLT, 3/8 X 2-3/4 G5
20	4	YBHH12120	BOLT, 3/8 X 3 G5
21	1	YBHH12200	BOLT, 3/8 X 5 G5
22	4	YBHH16080	BOLT, 1/2 X 2-1/2 G5
23	4	YBHH16085	BOLT, 1/2 X 2-1/2 G5
24	4	YSDR08005	SELF DRILLING SCREW, 1/4- X 1
25	8	YWFL16005	WASHER FLAT, 1/2 USS
26	9	YWLO12005	WASHER LOCK, 3/8
27	9	YWFL12005	WASHER,FLAT, 3/8 USS
28	4	YNFG12005	NUT FLG, 3/8
29	9	YNHX12005	NUT HEX, 3/8
30	4	YNL16005	NUT HEX, 1/2
31	1	0231SH02	PIVOT PIN
32	2	8544	CLEVIS PIN
33	1	G89	ZERK, 1/4-28 STRAIGHT
34	1	YPEX08015	EXPANSION PIN, 1/4 X 1 3/4
35	1	55852	AIR LINE

# FIGURE 16

## OPTIONAL BARN DOORS



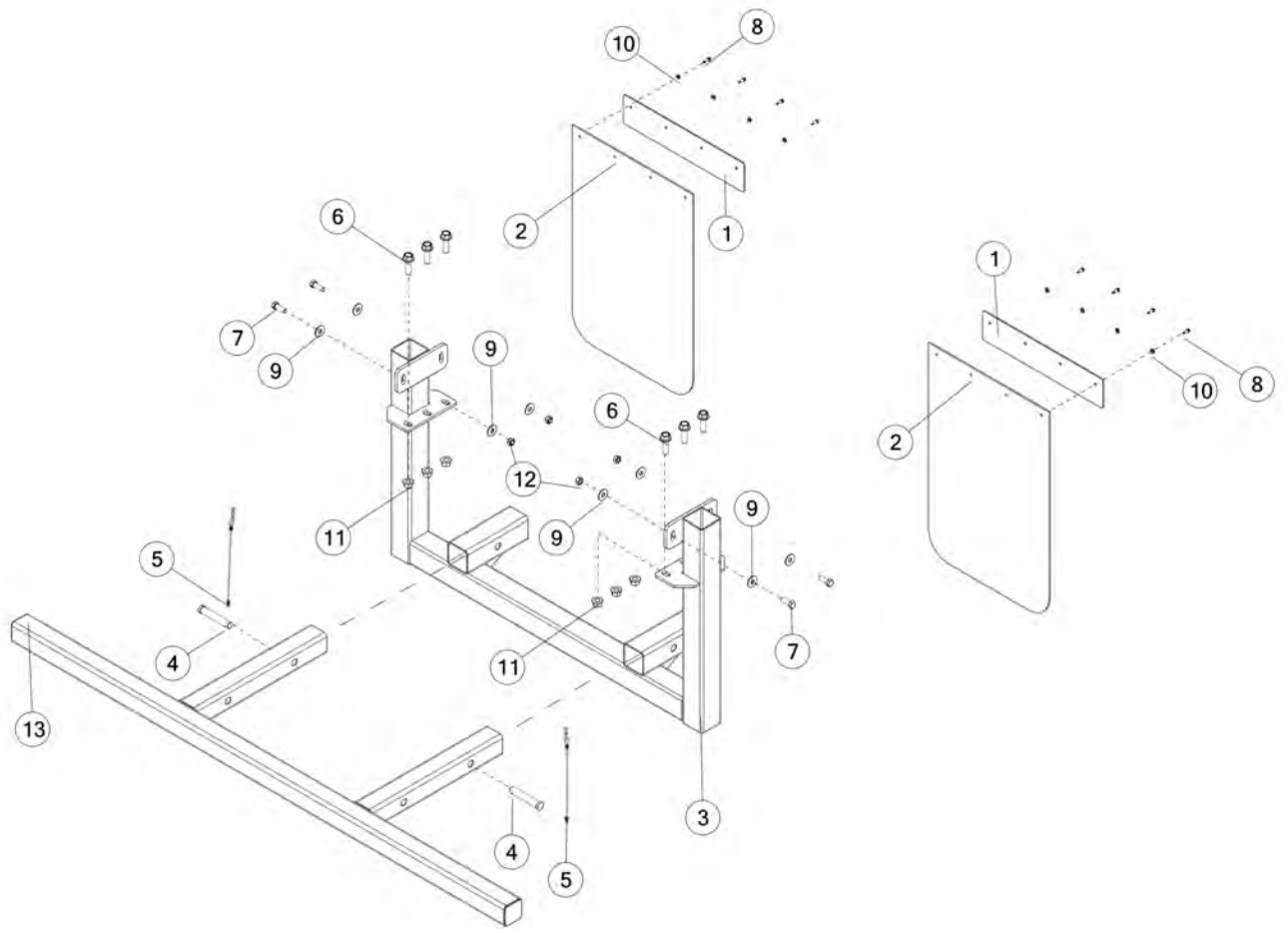
# FIGURE 16

## OPTIONAL BARN DOORS

<u>ITEM</u>	<u>QTY</u>	<u>PART #</u>	<u>DESCRIPTION</u>
1	1	022716G01	DOOR PANEL, RIGHT
2	2	02273G05	DOOR SEAL, HOLD DOWN
3	2	0227RU01	DOOR SEAL, BOTTOM
4	2	0227RU02	DOOR SEAL
5	1	66286	DOOR PANEL, LEFT
6	1	79807	STAKE HINGE, TOP LEFT
7	1	79814	STAKE HINGE, TOP RIGHT
8	1	0227WE04	DOOR LEFT
9	1	0227WE05	DOOR RIGHT
10	1	79915	STAKE HINGE LEFT
11	1	79916	STAKE HINGE RIGHT
12	1	0227WE01	TOP CHANNEL
13	2	0227SH01	HINGE PIN
14	2	0227PL01	POLY BUMPER
15	2	0227PL02	BARN DOOR FILLER BLOCK
16	1	0227WE07	LATCH LEFT
17	1	0227WE08	LATCH RIGHT
18	2	SD190	C-GAS STRUT
19	2	GD49	AIR CYLINDER, 2 1/2 X 8
20	1	0227MS02	WIRE LOOM
21	32	1043	HUCK RIVET
22	4	1135	MACHINE SCREW
23	8	YBCR12020	BOLT, CARR, 3/8-16 X 1-1/4 5
24	2	YBHH08100	BOLT, 1/4-20 X 3/4 G5
25	16	YBHH12010	BOLT, 3/8 X 1 G5
26	10	YBHH12200	BOLT, 3/8 X 5 G5
27	4	YBHH12242	BOLT, 3/8-16 X 7 G2
28	14	YSDR66007	SELF DRILLING SCREW, #12-14 X 1-1/4
29	2	YBHH16115	BOLT, 1/2 X 3-1/2 G5
30	24	YNHX12005	NUT HEX, 3/8
31	2	YNNY62005	NUT HEX, #8-32, LKNY, G2,
32	2	YNTL08005	NUT HEX, 1/4
33	2	YNTL16005	NUT HEX, 1/2
34	2	0227PI02	LATCH SPACER
35	2	HGV72	SMALL TUBE HOLDER
36	1	GD5	FITTING MALE ELBOW, 1/4
37	1	GD26	AIR TEE 1/4
38	12	YPEX08015	EXPANSION PIN, 1/4 X 1-3/4
39	2	YNHX62005	NUT HEX, MACHINE, #8-32
40	24	YWFL12005	WASHER FLAT, 3/8 USS
41	38	YWLO12005	WASHER LOCK, 3/8
42	6	MS26	SHORT SHANK ZERK
43	16	YWFL12005	WASHER FLAT, 3/8 USS

# FIGURE 17

## BUMPER & COMPONENTS



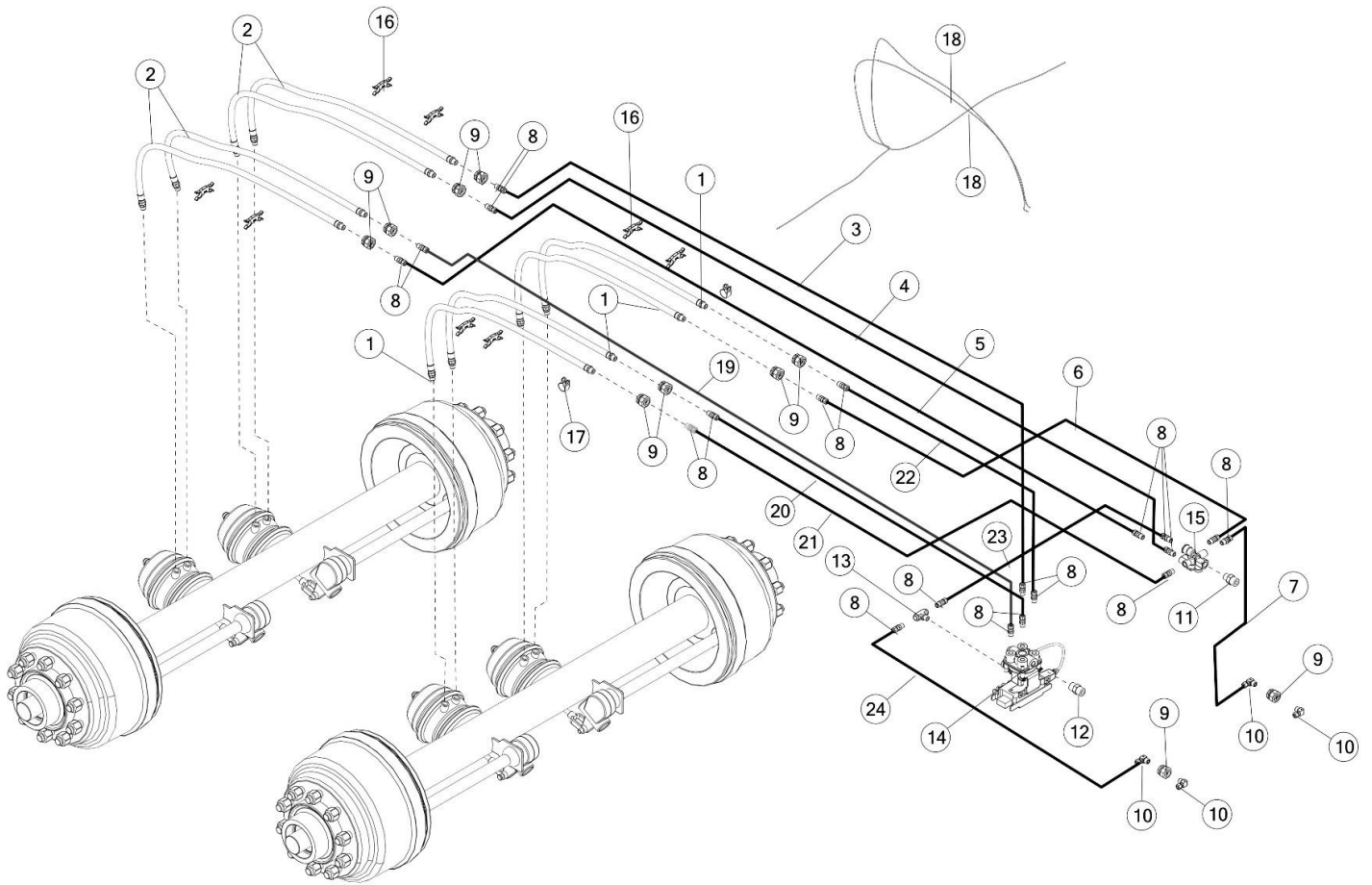
## FIGURE 17

### BUMPER & COMPONENTS

<u>ITEM</u>	<u>QTY</u>	<u>PART #</u>	<u>DESCRIPTION</u>
1	2	BBST6G09	MUD FLAP BRACKET
2	2	8034	MUDFLAP LONG
3	1	54497	ASSY, TD BUMPER
4	2	1118	CLEVIS PIN 1 X 4.75
5	2	57616	LANYARD, HAIR PIN
6	6	YBFB24005	BOLT FLG, 3/4 X 2-1/2 G8
7	4	YBHH20022	BOLT, 5/8 X 1-3/4 G8
8	8	YSDR08005	SELF DRILLING SCREW
9	8	YWFL20005	WASHER, 1/4 X 1
10	8	YWLO12005	WASHER FLAT, 5/8 USS
11	6	YNFG24006	WASHER LOCK, 3/8
12	2	YNTL20005	NUT FLG, 3/4
13	1	54149	NUT HEX, 5/8

# FIGURE 18

## AIR LINES & COMPONENTS



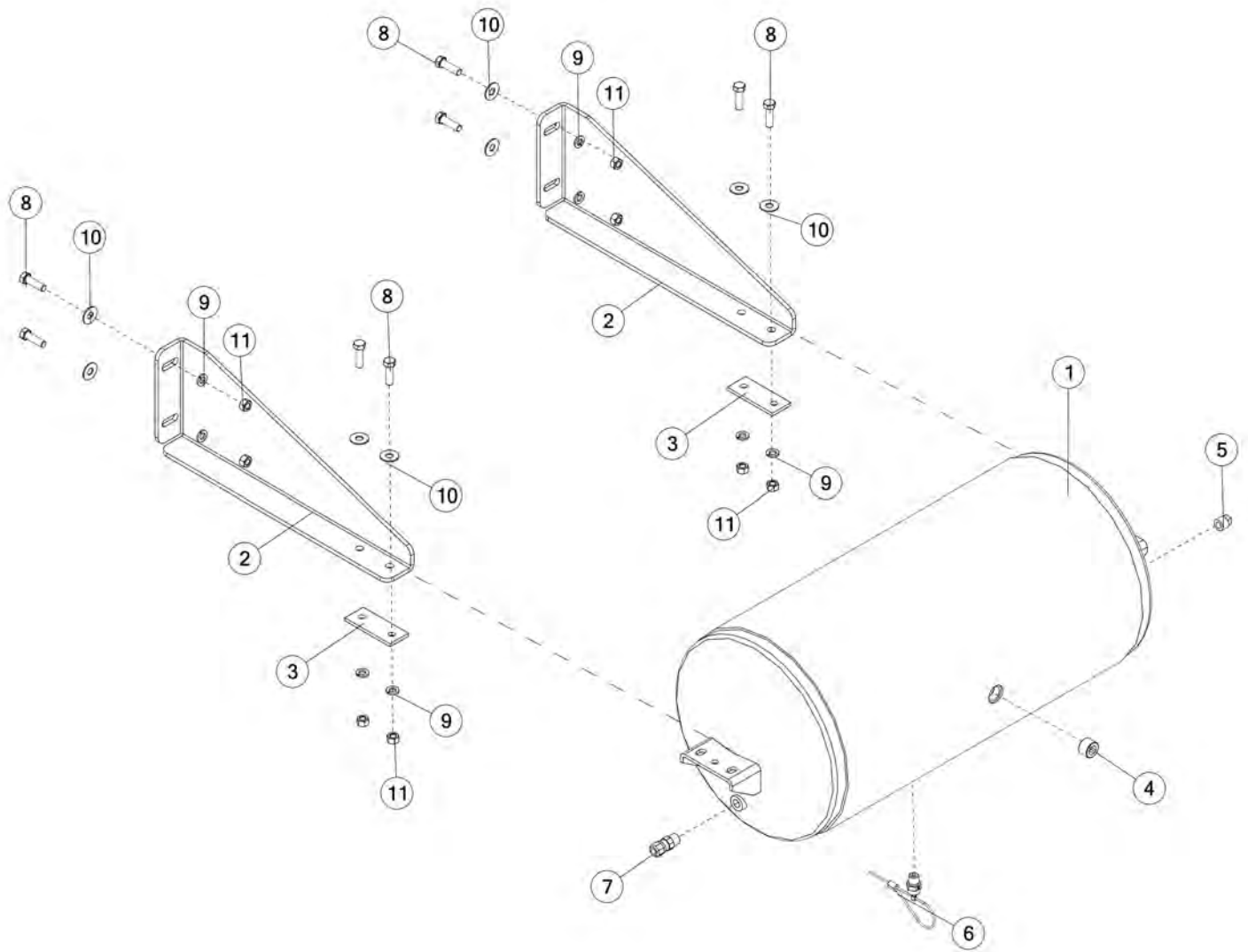
## FIGURE 18

### AIR LINES & COMPONENTS

<u>ITEM</u>	<u>QTY</u>	<u>PART #</u>	<u>DESCRIPTION</u>
1	4	1115	FRONT HOSE
2	4	1116	BACK HOSE
3	1	55630	SUPPLY LINE, 79
4	1	55758	EMERGENCY LINE, 67
5	1	55628	EMERGENCY LINE, 75
6	1	55632	EMERGENCY LINE, 19.5
7	1	54489	SUPPLY LINE, 149
8	20	1032	FITTING MALE CONN, 3/8
9	8	1114	FITTING BULKHEAD, 3/8 X 3/8
10	4	55798	FITTING ELBOW, 3/8 NPT
11	1	61584	FITTING NIPPLE, 3/4
12	1	LW98	FITTING NIPPLE, 3/4
13	1	WM146	FITTING TEE,
14	1	1013	MERITOR WABCO ABS KIT 2S/1M
15	1	1010	ABS SPRING BRAKE VALVE HOSE
16	8	79676	SEPARATOR
17	2	HGV72	HOSE CLAMP
18	2	55759	ELECTRICAL LINE
19	1	55629	SUPPLY LINE, 67.5
20	1	55631	SUPPLY LINE, 10
21	1	1109	SUPPLY LINE, 22
22	1	55633	SUPPLY LINE, 25.5
23	1	55634	SUPPLY LINE, 15
24	1	55746	SUPPLY LINE, 134.5

# FIGURE 19

## AIR TANK & COMPONENTS





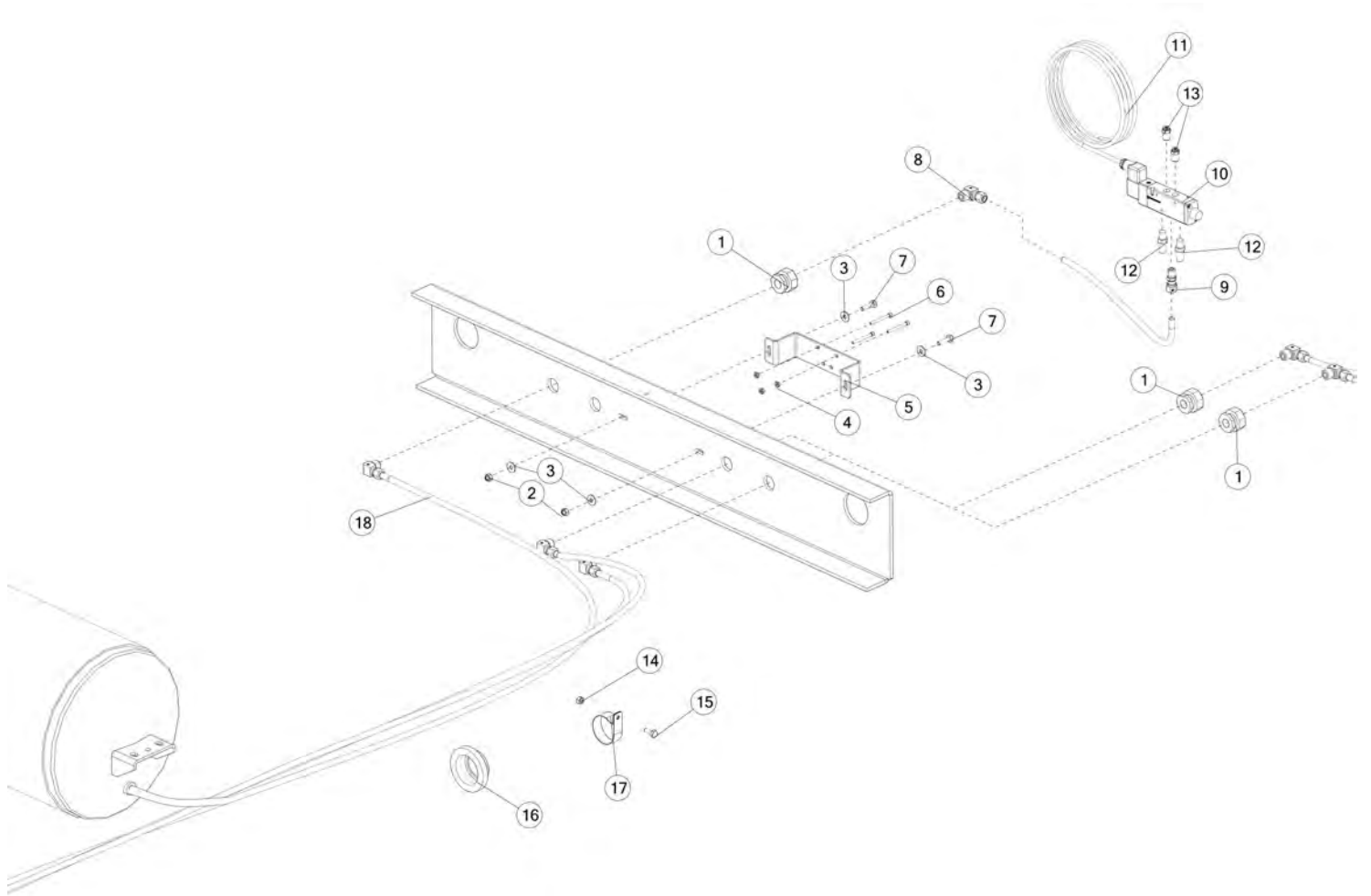
## FIGURE 19

### AIR TANK & COMPONENTS

<u>ITEM</u>	<u>QTY</u>	<u>PART #</u>	<u>DESCRIPTION</u>
1	1	1005	AIR TANK
2	2	54101	TANK HANGER
3	2	1006	AIR TANK RUBBER MOUNT
4	1	1037	HEX SCKT PIPE PLUG, 3/4
5	1	1040	SQ HD PIPE PLUG, 3/8
6	1	1041	LANYARD VALVE ,1/4
7	1	1032	MALE CONN, 3/8
8	6	YBHH12035	BOLT, 3/8 X 1-1/4 G5
9	6	YWLO12005	WASHER LOCK, 3/8
10	4	YWFL12005	WASHER FLAT, 3/8 USS
11	6	YNHX12005	NUT HEX, 3/8

# FIGURE 20

## AIR VALVE & COMPONENTS



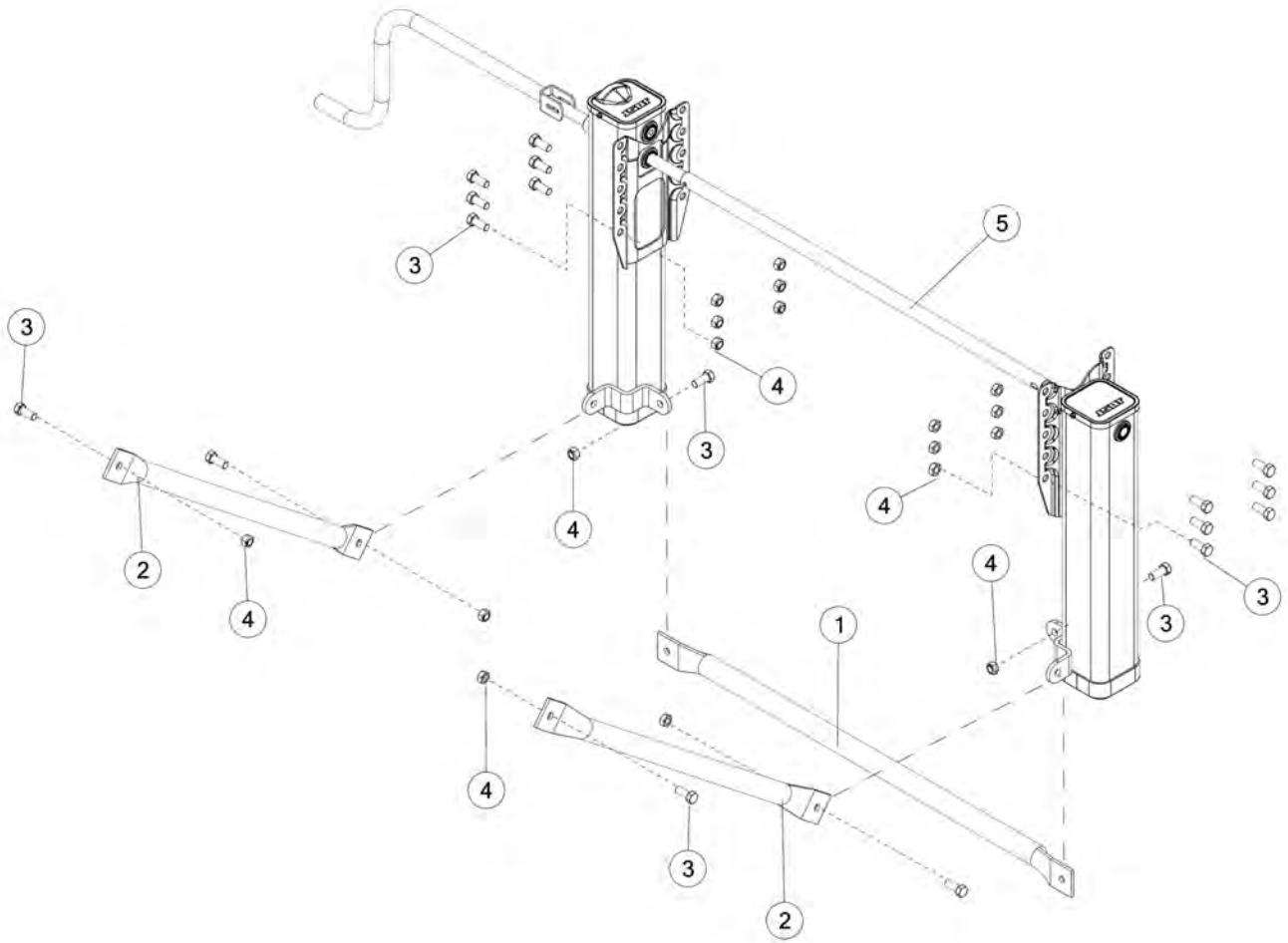
## FIGURE 20

### AIR VALVE & COMPONENTS

<u>ITEM</u>	<u>QTY</u>	<u>PART #</u>	<u>DESCRIPTION</u>
1	2	1114	FITTING BULKHEAD NIPPLE, 3/8 x 3/8
2	2	YNNY08005	HEX NUT NYLON LOCKNUT, 1/4-20
3	4	YWFL08005	WASHER FLAT, 1/4 USS
4	3	YNHX62005	MACHINE SCREW, #8-32
5	1	54510	AIR VALVE MOUNTING BRACKET
6	3	YSHS62005	SOCKET HEAD CAP SCREW, #8-32 X 1-3/4 X 1
7	2	YBHH08010	BOLT, 1/4 X 1 G5
8	1	55798	FITTING, MALE ELBOW
9	1	58651	FITTING, 1/4 X 3/8
10	1	0231-AS-05	GATE DELAY AIR VALVE (4 WAY) WITH FITTINGS
11	1	1093	DIN CORD
12	2	GD7	VENT PLUG, 1/4
13	3	GD6	MALE COUPLER, 1/4
14	1	YNTL08005	HEX NUT, TOP LOCK, 1/4
15	1	YBHH08100	BOLT, 1/4 X 3/4 G5
16	1	BBS91	LIGHT GROMMET, ROUND
17	1	57173	CUSHION CLAMP
18	1	55745	SUPPLY LINE

# FIGURE 21

## LANDING GEAR & COMPONENTS

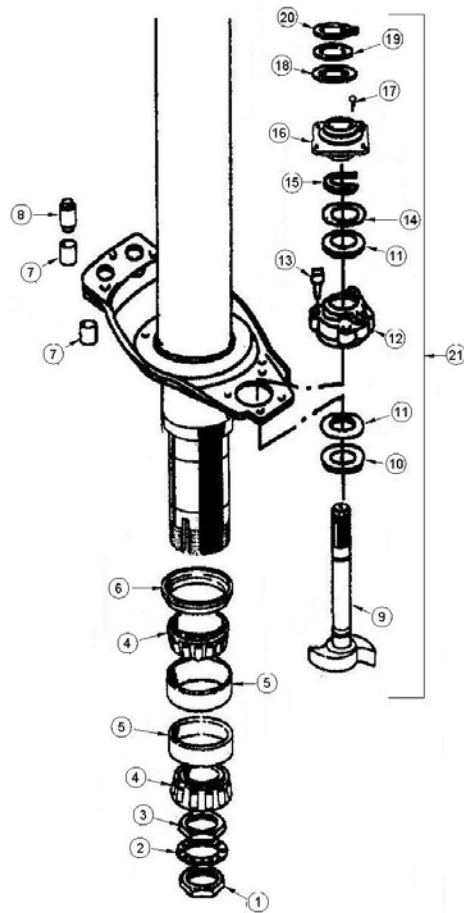


## FIGURE 21

### LANDING GEAR & COMPONENTS

<u>ITEM</u>	<u>QTY</u>	<u>PART #</u>	<u>DESCRIPTION</u>
1	1	1004	LANDING GEAR BRACE
2	2	1003	LANDING GEAR BRACE
3	18	YBHH20010	BOLT, 5/8 X 1-1/2 G5
4	18	YNL20005	NUT HEX, 5/8
5	1	1002	LANDING GEAR ASSEMBLY

**FIGURE 22**  
**CAMSHAFT & COMPONENTS**

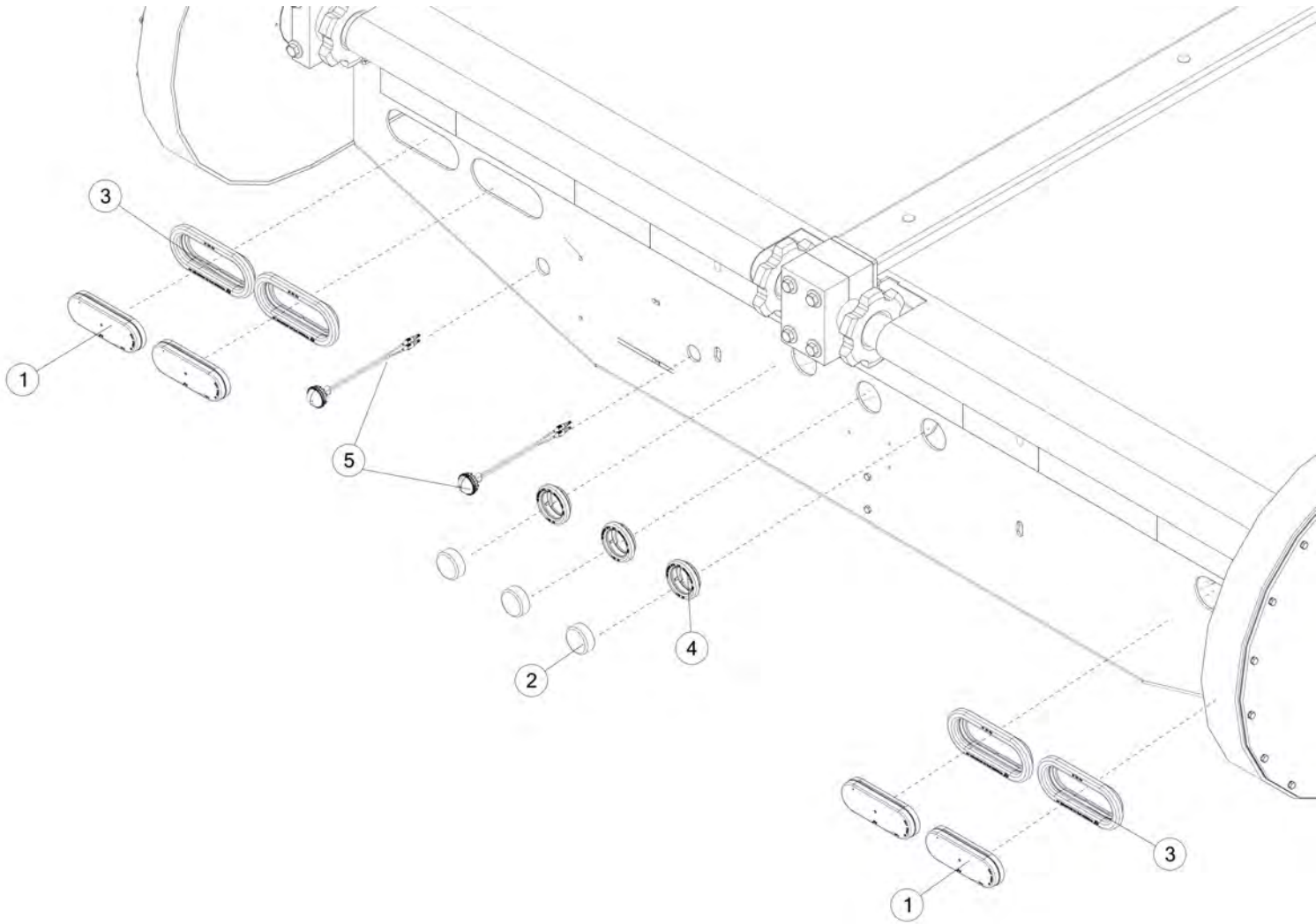


## FIGURE 22

### CAMSHAFT & COMPONENTS

<u>ITEM</u>	<u>QTY</u>	<u>PART #</u>	<u>DESCRIPTION</u>
1	1	8269	NUT
2	1	8270	WASHER
3	1	8271	NUT
4	2	8272	BEARING CONE
5	2	8273	BEARING RACE
6	1	8274	SEAL
7	2	8275	BUSHING
8	1	8276	ANCHOR PIN
9	1	8277	LEFT CAM
*	1	8291	RIGHT CAM
10	1	8278	WASHER
11	2	8279	SEAL
12	1	8280	BUSHING
13	1	8281	CAPSCREW
14	1	8282	WASHER
15	1	8283	SNAP RING
16	1	8284	CAMSHAFT BUSHING ASSEMBLY
17	1	8285	CAPSCREW
18	1	8286	SLACK ADJUSTER WASHER
19	1	8287	SLACK ADJUSTER WASHER
20	1	8288	SLACK ADJUSTER SNAP RING
21	-	8289	CAM KIT (LEFT)

**FIGURE 23**  
**TAIL LIGHT & COMPONENTS**





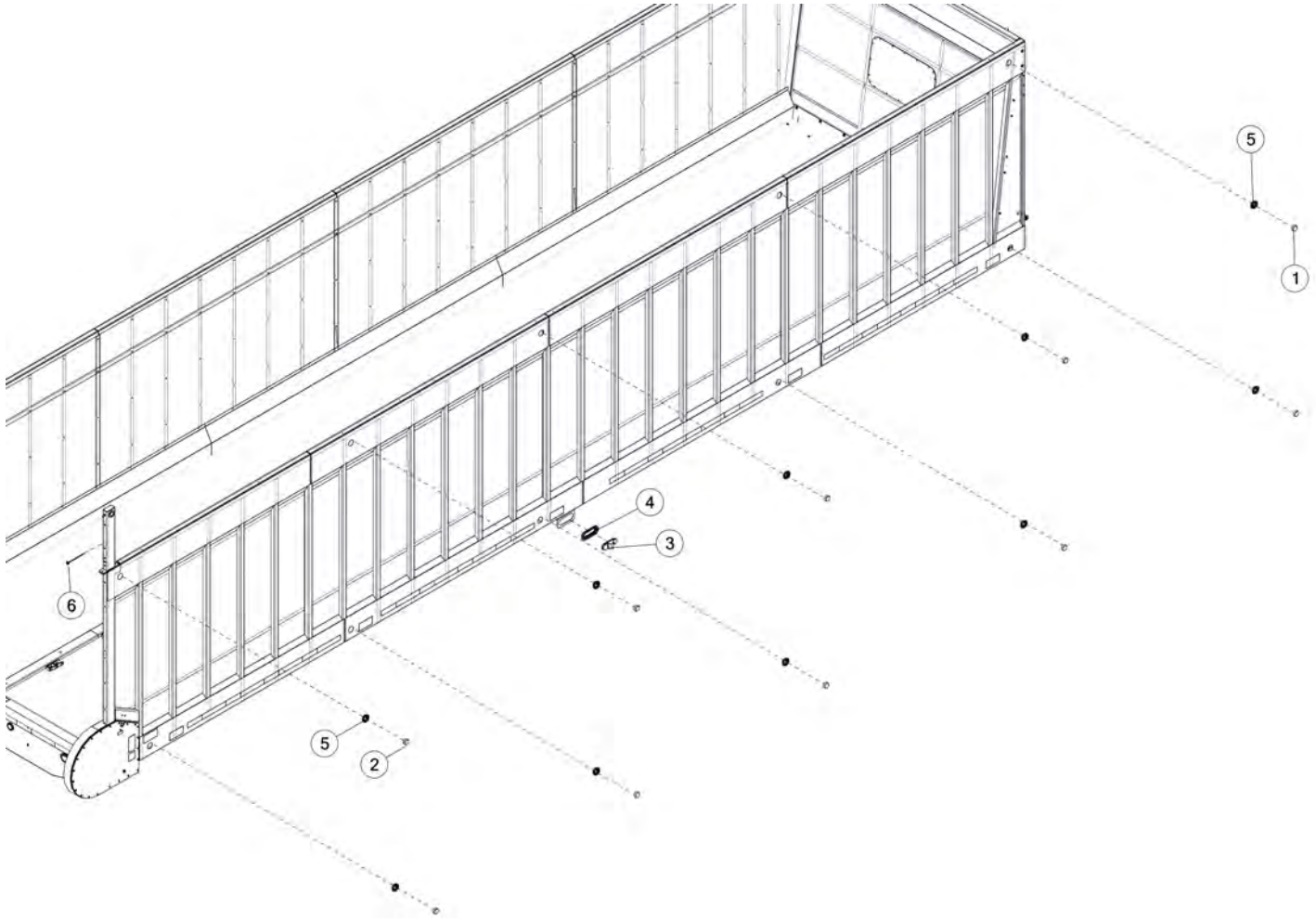
## FIGURE 23

### TAIL LIGHT & COMPONENTS

<u>ITEM</u>	<u>QTY</u>	<u>PART #</u>	<u>DESCRIPTION</u>
1	4	78671	RED LED LIGHT, OVAL
2	3	BBS92	MARKER LIGHT, RED ROUND
3	4	S308	OVAL LIGHT GROMMET
4	3	BBS91	ROUND LIGHT GROMMET
5	2	BBS98	LICENSE LIGHT

# FIGURE 24

## LIGHTS

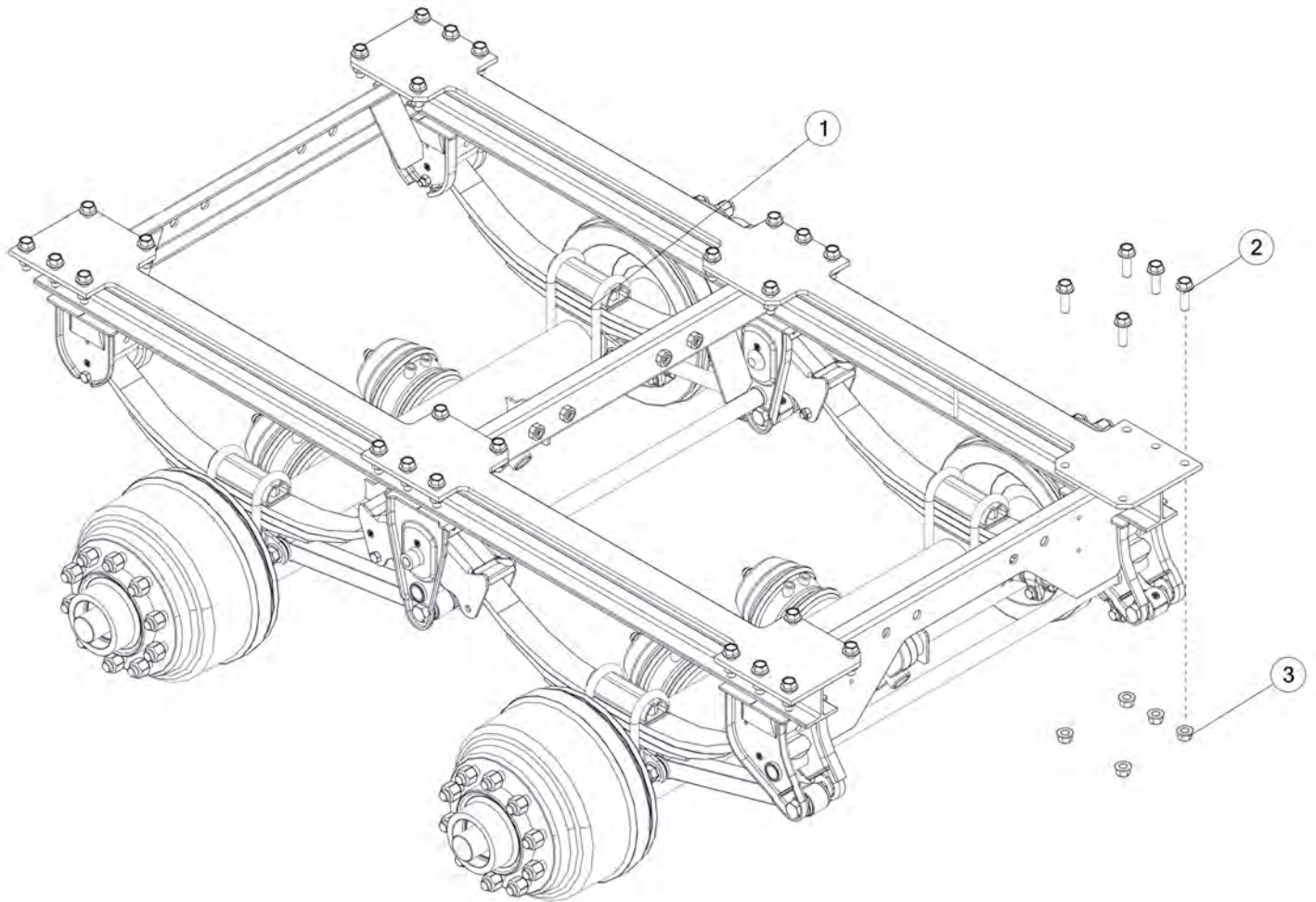


## FIGURE 24

### LIGHTS

<u>ITEM</u>	<u>QTY</u>	<u>PART #</u>	<u>DESCRIPTION</u>
1	16	BBS93	MARKER LIGHT, AMBER ROUND
2	4	BBS92	MARKER LIGHT, RED ROUND
3	2	78700	SIDE TURM, AMBER LED
4	2	S308	OVAL LIGHT GROMMET
5	20	BBS91	ROUND LIGHT GROMMET
6	2	8620	LIGHT, RED LED

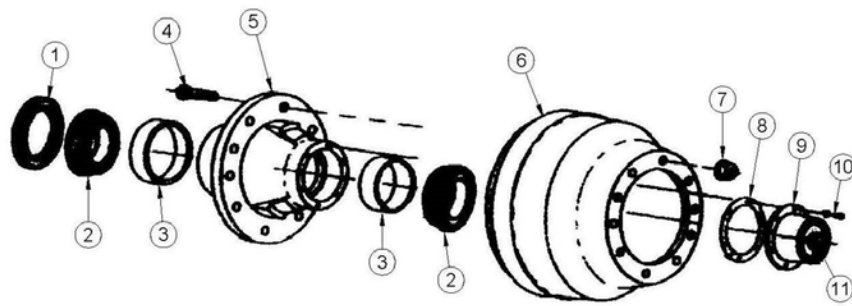
# **FIGURE 25** **SPRING SUSPENSION**



**FIGURE 25**  
**SPRING SUSPENSION**

<b><u>ITEM</u></b>	<b><u>QTY</u></b>	<b><u>PART #</u></b>	<b><u>DESCRIPTION</u></b>
1	1	54280	SRING SUSPENSION, ASSY,
2	30	YBFB24005	BOLT FLANGE, 3/4 X 2-1/2 G8
3	30	YNFG24006	NUT FLANGE, 3/4

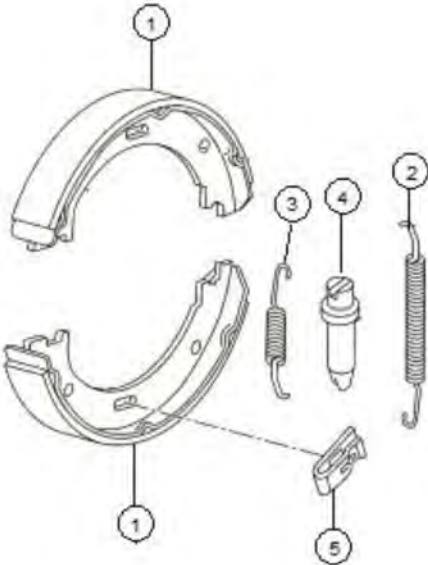
**FIGURE 26**  
**HUB & COMPONENTS**



**FIGURE 26**  
**HUB & COMPONENTS**

<b><u>ITEM</u></b>	<b><u>QTY</u></b>	<b><u>PART #</u></b>	<b><u>DESCRIPTION</u></b>
1	1	8300	SEAL
2	2	8301	CONE
3	2	8302	RACE
4	10	8303	STUD
5	1	8304	HUB
6	1	8305	BRAKE DRUM
7	10	8306	LUG NUT
8	1	8307	GASKET
9	1	8308	HUB CAP
10	6	8309	HUB CAP BOLT
11	1	8010	HUB CAP OIL DRAIN

**FIGURE 27**  
**BRAKES & COMPONENTS**

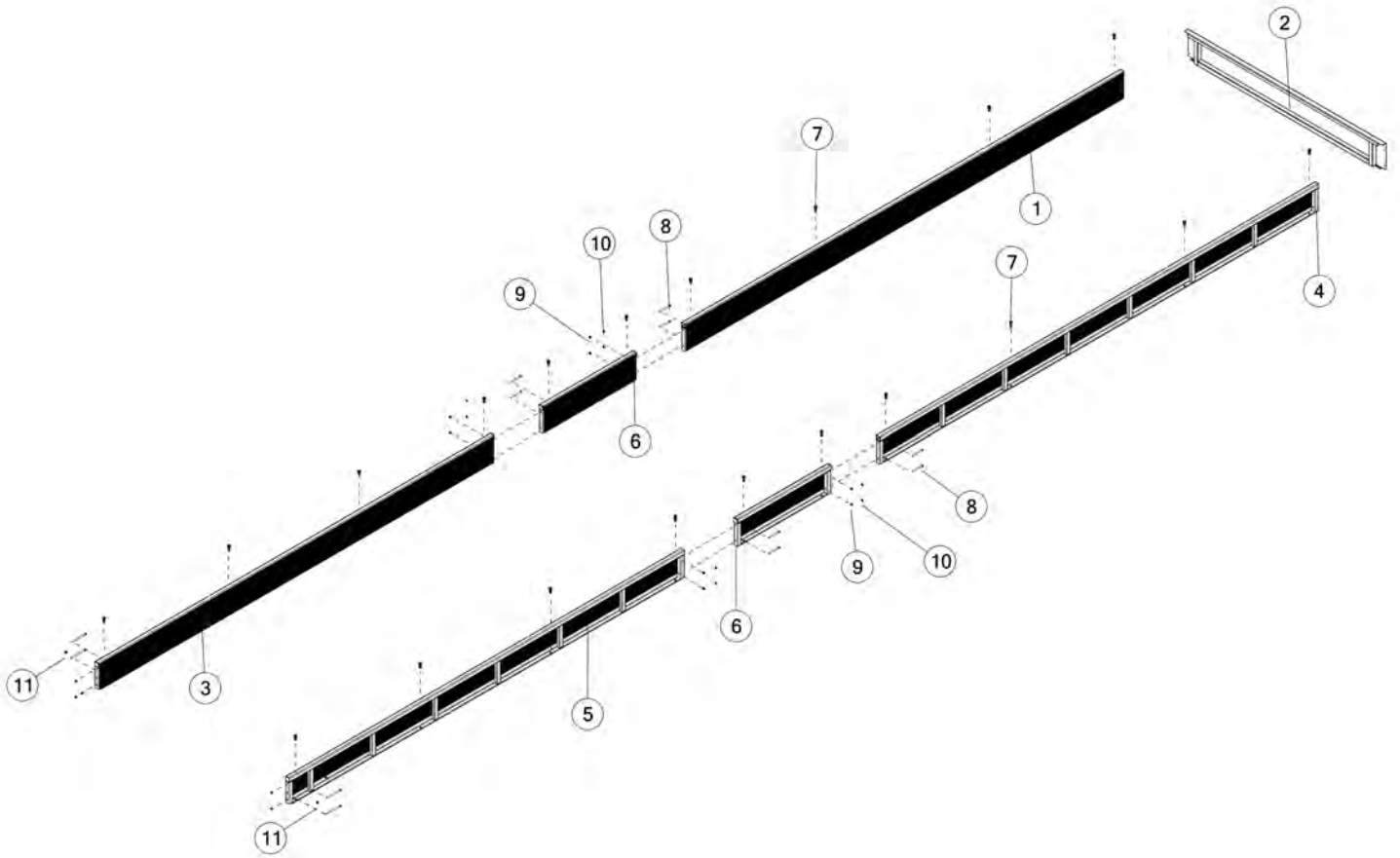




**FIGURE 27**  
**BRAKES & COMPONENTS**

<u>ITEM</u>	<u>QTY</u>	<u>PART #</u>	<u>DESCRIPTION</u>
1	2	8292	BRAKE SHOE
2	1	8293	SPRING
3	1	8294	SPRING
4	1	8295	ADJUSTER
5	1	8296	CLIP
*	1	8297	RETAINER
*	1	8298	HARDWARE KIT WITH BUSHINGS AND ANCHOR PINS

**FIGURE 28**  
**EXTENSION & COMPONENTS**



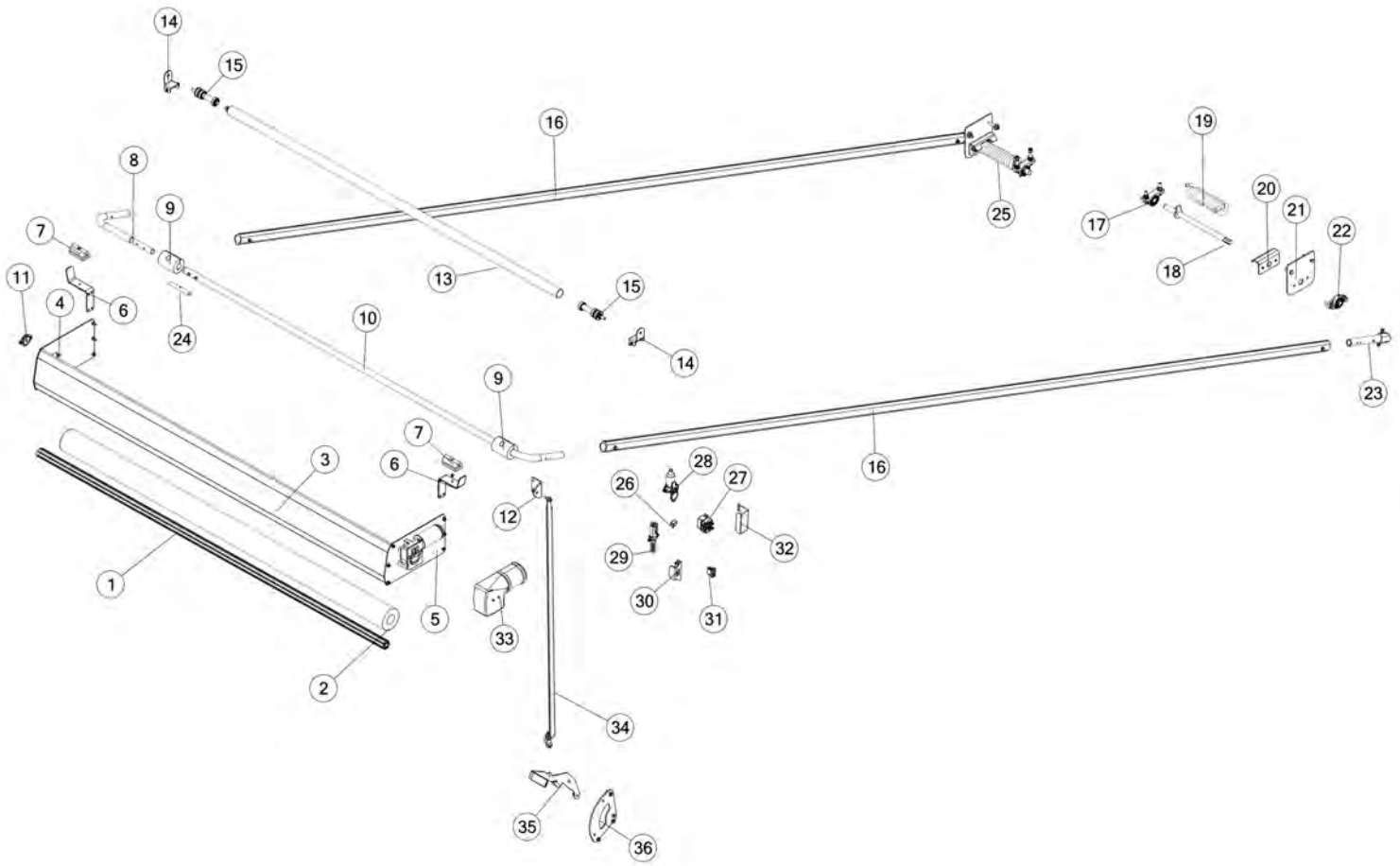
## FIGURE 28

### EXTENSION & COMPONENTS

<u>ITEM</u>	<u>QTY</u>	<u>PART #</u>	<u>DESCRIPTION</u>
1	1	78065	EXTENSION WLDMT, FWD, LH
2	1	78072	UPPER PANEL WLDMT
3	1	78199	EXTENSION WLDMT, REAR, LH
4	1	78253	EXTENSION WLDMT, FWD, RH
5	1	78256	EXTENSION WLDMT, REAR, RH
6	2	78845	EXTENSION CENTER
7	20	78259	BOLT, .375
8	8	YBHH12200	BOLT, 3/8 X 5 G5
9	8	YNFG12005	NUT FLG, 3/8
10	6	YWFL12010	WASHER FLAT, 3/8 SAE G8
11	2	80N11	SPACER

# FIGURE 29

## TARP & COMPONENTS

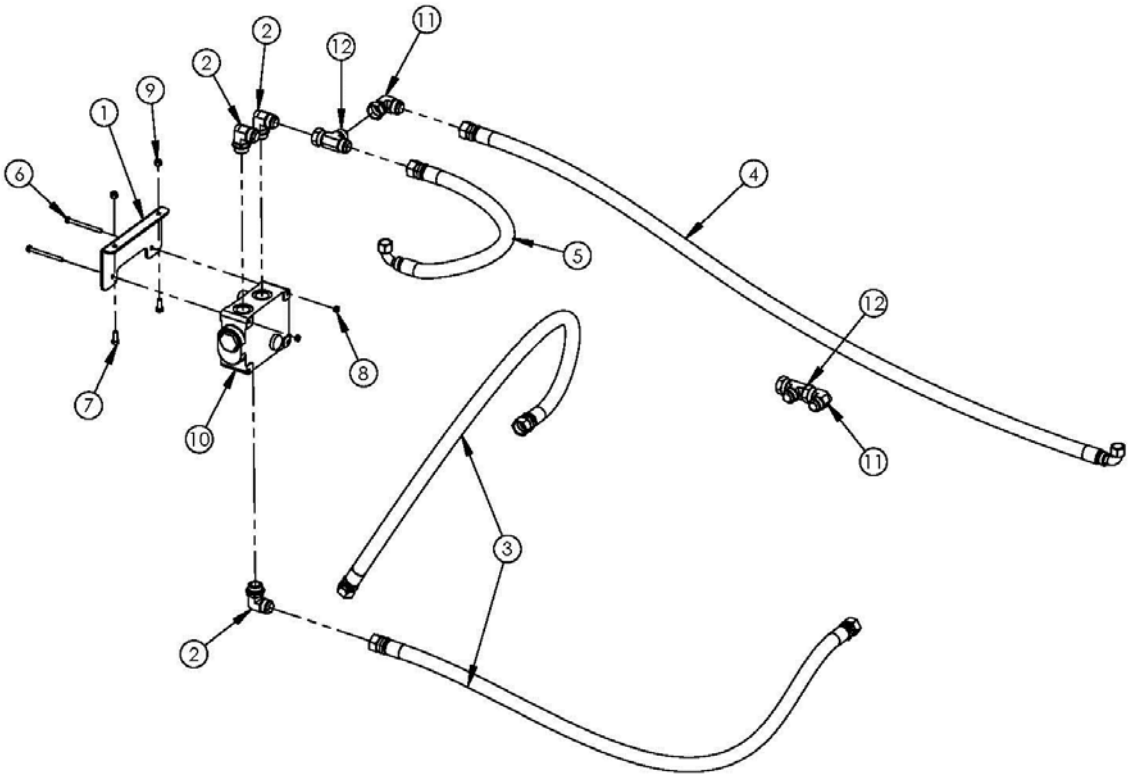


## FIGURE 29

### TARP & COMPONENTS

<u>ITEM</u>	<u>QTY</u>	<u>PART #</u>	<u>DESCRIPTION</u>
1	1	80056	THREADED TARP AXLE
2	1	80363	SHUR-MATIC ARM TARP, 40 X 94
3	1	80057	ALUMINUM WINDSHIELD
4	1	80055	TARP AXLE SIDE PLATE, RH
5	1	80054	TARP AXLE SIDE PLATE, LH
6	2	80065	ALUMINUM PIVOT ARM REST BRACKET
7	2	80066	RUBBER BUMPER
8	1	80082	TARP TUBE ELBOW
9	2	80085	RUBBER BUMPERS, 3-1/4 X 4-1/2
10	1	80083	TARP TUBE CROSSOVER
11	1	80113	RADIAL BALL BEARING W/ FLANGES
12	1	78505	UPPER ATTACH BRACKET
13	1	80068	ROLLER GUIDE TUBE
14	2	80069	TARP ROLLER GUIDE BRACKET
15	2	80070	TARP ROLLER GUIDE BEARING ASSEMBLY
16	2	80092	ALUMINUM RETURN ARM
17	2	80046	PILLOW BLOCK BEARING, 1
18	2	80049	SPRING SHAFT
19	1	80050	TORSION SPRING
20	2	80044	SPRING RETAINER BRACKET
21	2	80042	DROP PLATE
22	2	80045	FLANGE BEARING 1 ID
23	2	80081	POLISHED HEX PIVOT CASTING, 7/8
24	1	80064	TARP AXLE STUB SHAFT
25	1	80043	TORSION SPRING -
26	1	80378	50-AMP AUTO-RESET CIRCUIT BREAKER
27	1	80403	MOTOR REVERSING SOLENOID
28	1	80402	DUAL-CONDUCTOR SOCKET W/ BOOT
29	1	80390	HEAVY-DUTY DUAL-CONDUCTOR PLUG
30	1	80376	ROCKER SWITCH MOUNTING BRACKET
31	1	80377	ROCKER SWITCH
32	1	80375	SOLENOID COVER
33	1	80058	DURABUILT MOTOR W/ COVER, 3-1/8
34	1	78488	LINKAGE ASSY, FOLD DOWN
35	1	78009	LEVER ASSY, SPRING RETAIN
36	1	78012	DOUBLER, VARIABLE STOP

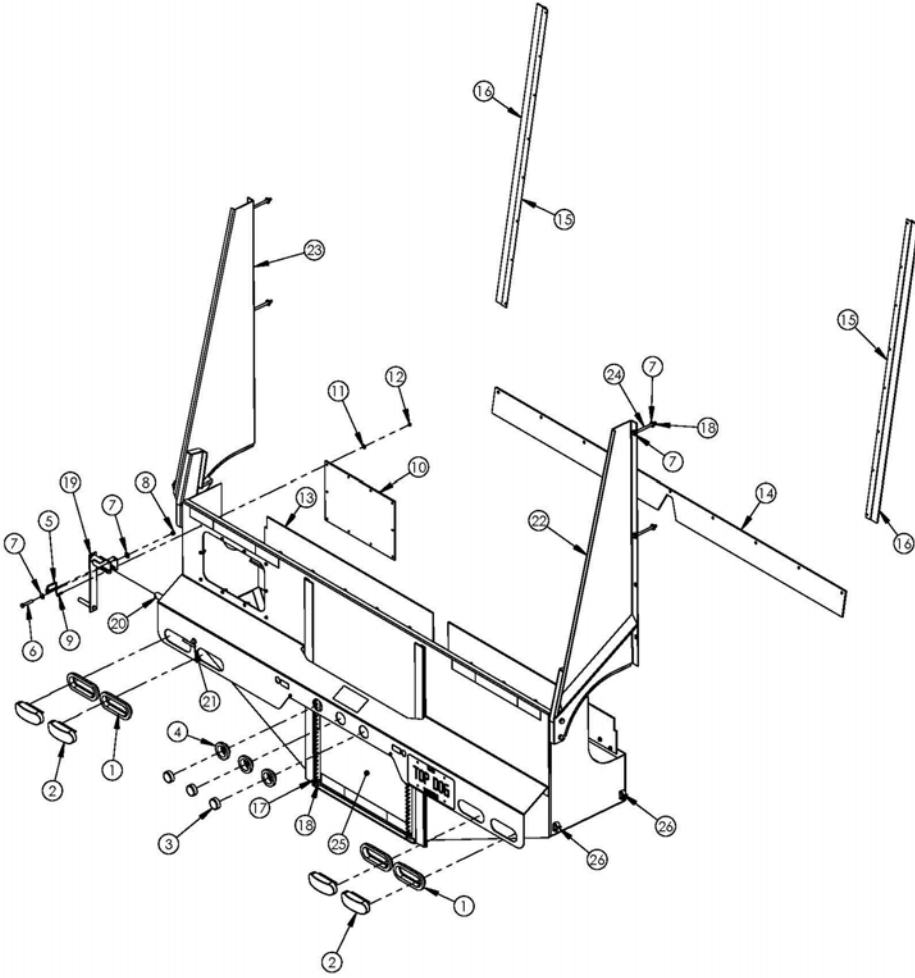
**FIGURE 30**  
**FLOW CONTROL**



**FIGURE 30**  
**FLOW CONTROL**

<u>ITEM</u>	<u>QTY</u>	<u>PART #</u>	<u>DESCRIPTION</u>
1	1	02266G02	FLOW CONTROL MOUNT
2	3	BBS52	STRAIGHT THREAD ELBOW
3	2	BBSTMS24	PSI TO FLOW
4	1	BBSTMS25	HOSE, FLOW TO MOTOR, LONG
5	1	BBSTMS26	HOSE, FLOW TO MOTOR, SHORT
6	2	YBHH10112	BOLT, 5/16 X 3-3/4 G5
7	2	YBHH12010	BOLT, 3/8 X 1 G5
8	2	YNHX10005	HEX NUT, 5/16
9	2	YNNY12005	HEX NUT, NYLON LOCKNUT, 3/8
10	1	BBS51	FLOW CONTROL
11	2	8021	SWIVEL NUT ELBOW
12	2	CHM182	SWIVEL NUT RUN TEE

**FIGURE 31**  
**GRAIN KIT**





## FIGURE 31

### GRAIN KIT

<u>ITEM</u>	<u>QTY</u>	<u>PART #</u>	<u>DESCRIPTION</u>
1	4	S308	LIGHT GROMMET, OVAL
2	4	S310	OVAL LIGHT, RED
3	3	BBS92	MARKER LIGHT, RED ROUND
4	3	BBS91	LIGHT GROMMET, ROUND
5	1	DWM324	SAFETY SNAP PIN
6	1	YBHH12100	BOLT, 3/8 X 2-1/4 G5
7	9	YWFL12005	WASHER FLAT, 3/8 USS
8	1	YNTL12005	HEX NUT TOP LOCK, 3/8
9	10	YBHH08010	BOLT, 1/4 X 1 G5
10	1	GH7	HOPPER WINDOW
11	10	YWFL08005	WASHER, FLAT, 1/4 USS
12	10	YNNY08005	HEX NUT, NYLON LOCKNUT, 1/4
13	1	0226RU02	UPPER HOPPER SEAL
14	1	BBS68	DOOR RUBBER
15	2	0226MS01	BRUSH HOLDER, 1-1/4
16	2	0226MS04	BRUSH LONG, 2
17	2	YBHH12130	BOLT, 3/8 X 3/4 G2
18	4	YNHX12005	HEX NUT, 3/8
19	1	GH8	FOLDING CRANK
20	1	0226WE04	REAR DOOR DRIVE
21	1	GH11	DRAG BLOCK TIGHTENER
22	1	0226WE02	SIDE EXTENSION RIGHT
23	1	0226WE03	SIDE EXTENSION LEFT
24	4	YBHH12200	BOLT, 3/8 X 5 G5
25	1	GH4	REAR HOPPER DOOR
26	2	HGV162	RUBBER WIRE HOLDER, 1/2







# **H&S MFG. CO.**

products approved

for the

## **FEMA**

# **SEAL OF QUALITY**

