



PARTS BOOK

TD1236

FORAGE BOX

Part #94551

Rev. #01

HSMFG050224

Starting Ser. #4ULJB3827RS002048

FIGURE #	CONTENTS	PAGE #
*	INSTRUCTIONS FOR ORDERING PARTS	1
1	RH SIDE PANELS	2-3
2	RH SIDE EXTENSION PANELS	4-5
3	LH SIDE PANELS	6-7
4	LH SIDE EXTENSION PANELS	8-9
5	FRONT PANEL W/WINDOW	10-11
6	FRONT PANEL AND COMPONENTS	12-13
7	FLOOR HOLD DOWNS AND COMPONENTS	14-15
8	IDLER SHAFT AND COMPONENTS	16-17
9	DRIVE SHAFT AND COMPONENTS	18-19
10	FLOOR CHAIN	20-21
11	GEARBOX AND COMPONENTS	22-23
12	GEARBOX	24-25
13	FRONT SHIELDS AND COMPONENTS	26-27
14	GLADHANDS AND COMPONENTS	28-29
15	AIR LINES AND COMPONENTS	30-31
16	HYDRAULICS	32-33
17	LANDING GEAR AND COMPONENTS	34-35
18	BUMPER AND COMPONENTS	36-37
19	AIR TANK AND COMPONENTS	38-39
20	SPRING SUSPENSION	40-41
21	AXLE SPRINGS AND COMPONENTS	42-43
22	CAMSHAFT AND COMPONENTS	44-45
23	BRAKES AND COMPONENTS	46-47
24	HUB AND COMPONENTS	48-49
25	ELECTRIC HARNESS AND LIGHTS	50-51
26	TOP PIVOT REAR DOOR W/HYD GATE DELAY OPTION (BDOTPD)	52-53
27	SEAL KIT FOR TOP PIVOT DOOR OPTION (FBOTPDSK)	54-55
28	ROOF HOOD OPTION (TDO36RH)	56-57
29	SWINGING BARN DOORS W/AIR CLOSURE	58-61
	TRUCK MOUNT OPTION (TDOSBD)	
30	REVERSE APRON SYSTEM OPTION (TDORAS)	62-63
31	AIR RIDE SUSPENSION IN LIEU OF SPRING SUSPENSION OPTION (TDOAIR54)	63-69
32	ELEC DRIVE SIDE-TO-SIDE TARP OPTION (TDOESST36)	70-71
33	ELEC ACTUATOR CONTROL FLIP DOWN FRONT OPTION (TDOEAC)	72-73
34	SCREEN FILLER KIT OPTION (TDOSF36)	74-75



TABLE OF CONTENTS

FIGURE #	CONTENTS	PAGE #
35	TIRE OPTION TWP425AW / TWP425SW	76-77
36	TIRE OPTION TWP455AW / TWP455SW	78-79
37	TIRE OPTION TWP825AW / TWP825SW	80-81
38	TIRE OPTION TWP825AW/SW	82-83
39	OPTIONAL GRAIN HOPPER KIT W/HYD FLOW CONTROL (TDOGHK)	84-85
*	PARTS NOTES	86



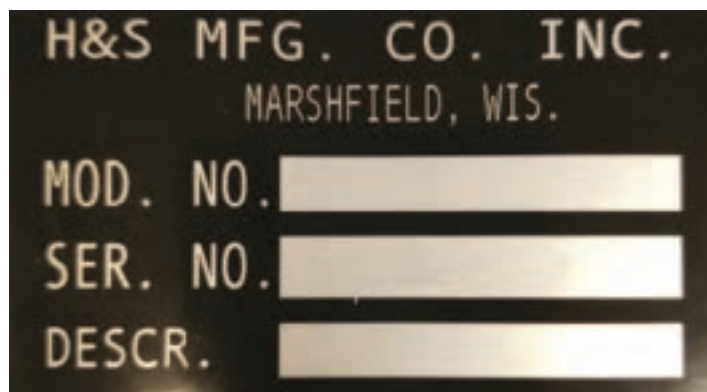
INSTRUCTIONS FOR ORDERING PARTS

All service parts should be ordered through your authorized H&S dealer. Your Dealership will be able to give you faster service if you will provide them with the following:

1. All references to left or right apply to the machine as viewed from the rear.
2. Parts should not be ordered from illustration only. Please order complete part number.
3. If your dealer has to order parts - give shipping instructions:

VIA truck - large pieces (please specify local truck lines)

VIA United Parcel Service (include full address)



PLEASE RECORD NUMBERS FOR YOUR UNIT FOR QUICK REFERENCE

H&S IS CONTINUALLY STRIVING TO IMPROVE ITS PRODUCTS

We must, therefore, reserve the right to make improvements or changes whenever it becomes practical to do so, without incurring any obligation to make changes or additions to the equipment previously sold.





FIGURE 1
RH SIDE PANELS

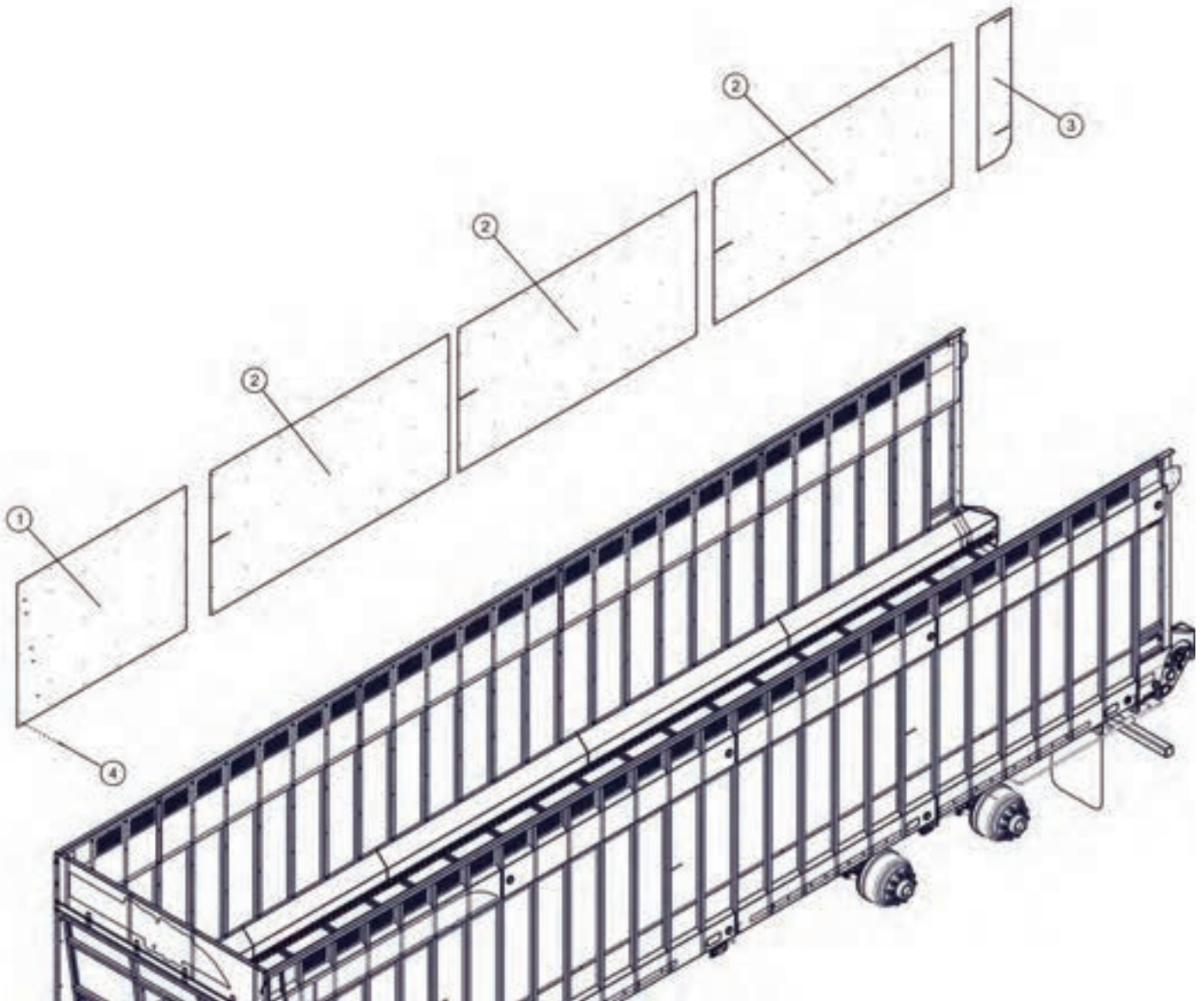




FIGURE 2
RH SIDE EXTENSION PANELS

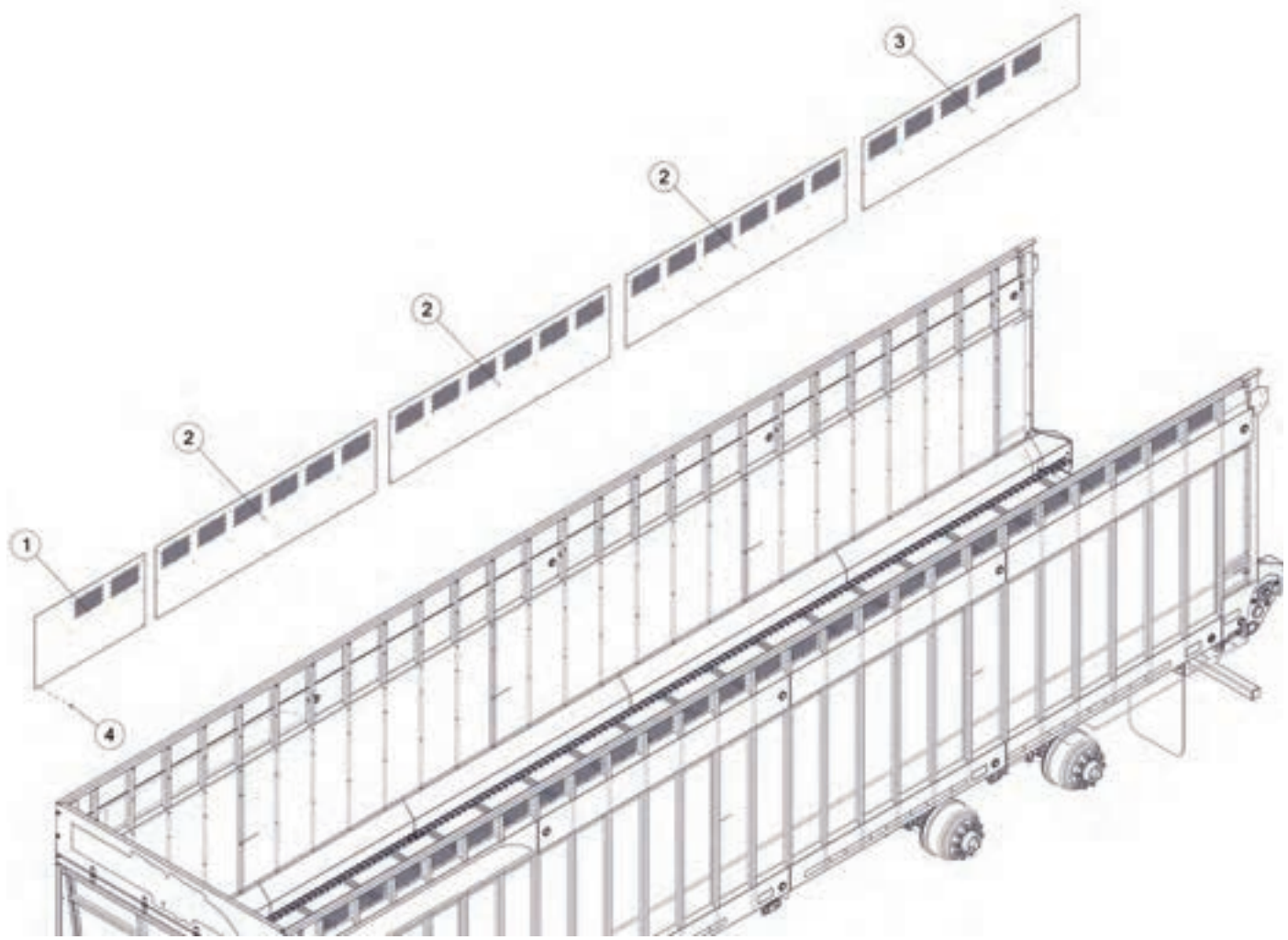




FIGURE 3
LH SIDE PANELS

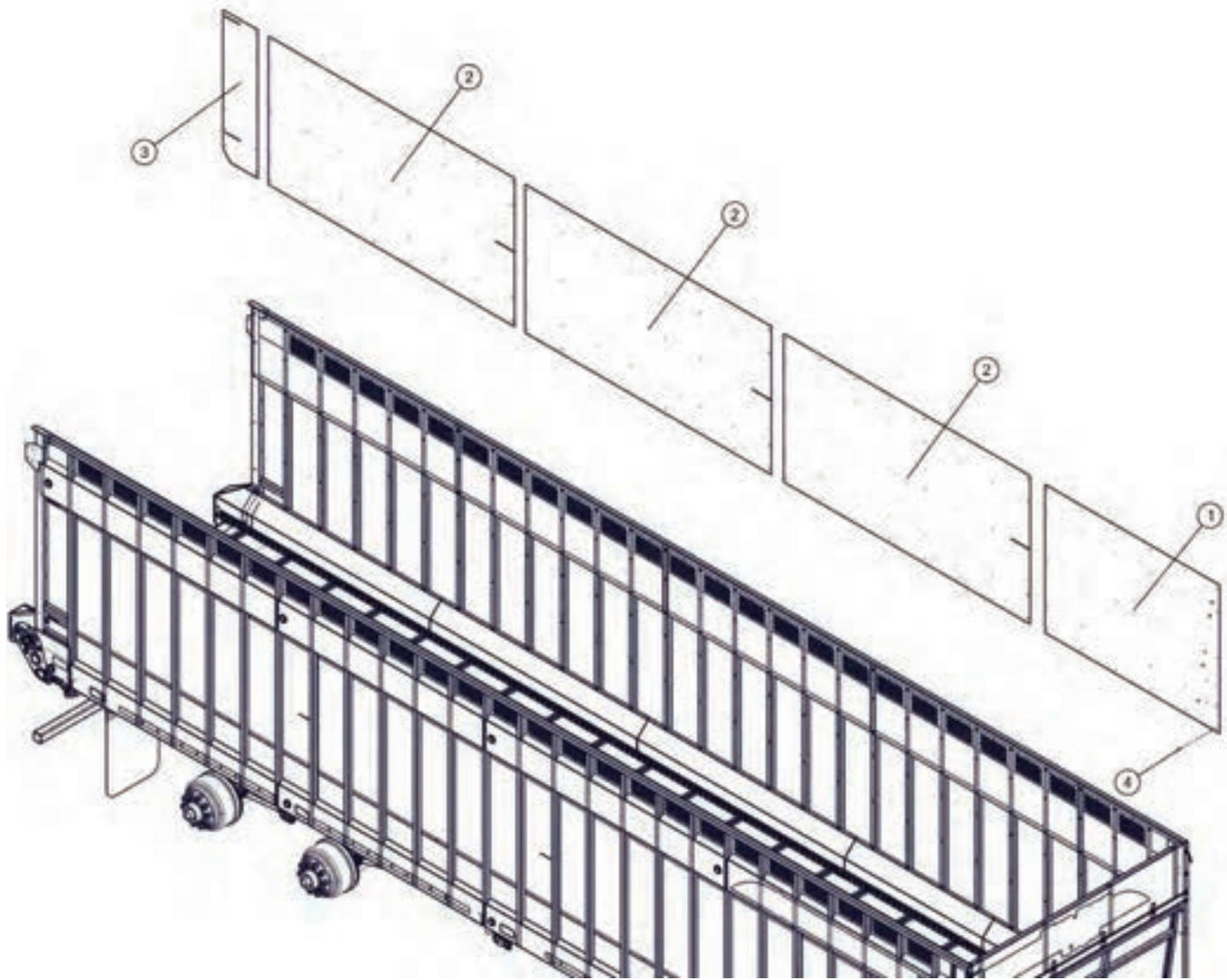




FIGURE 4
LH SIDE EXTENSION PANELS

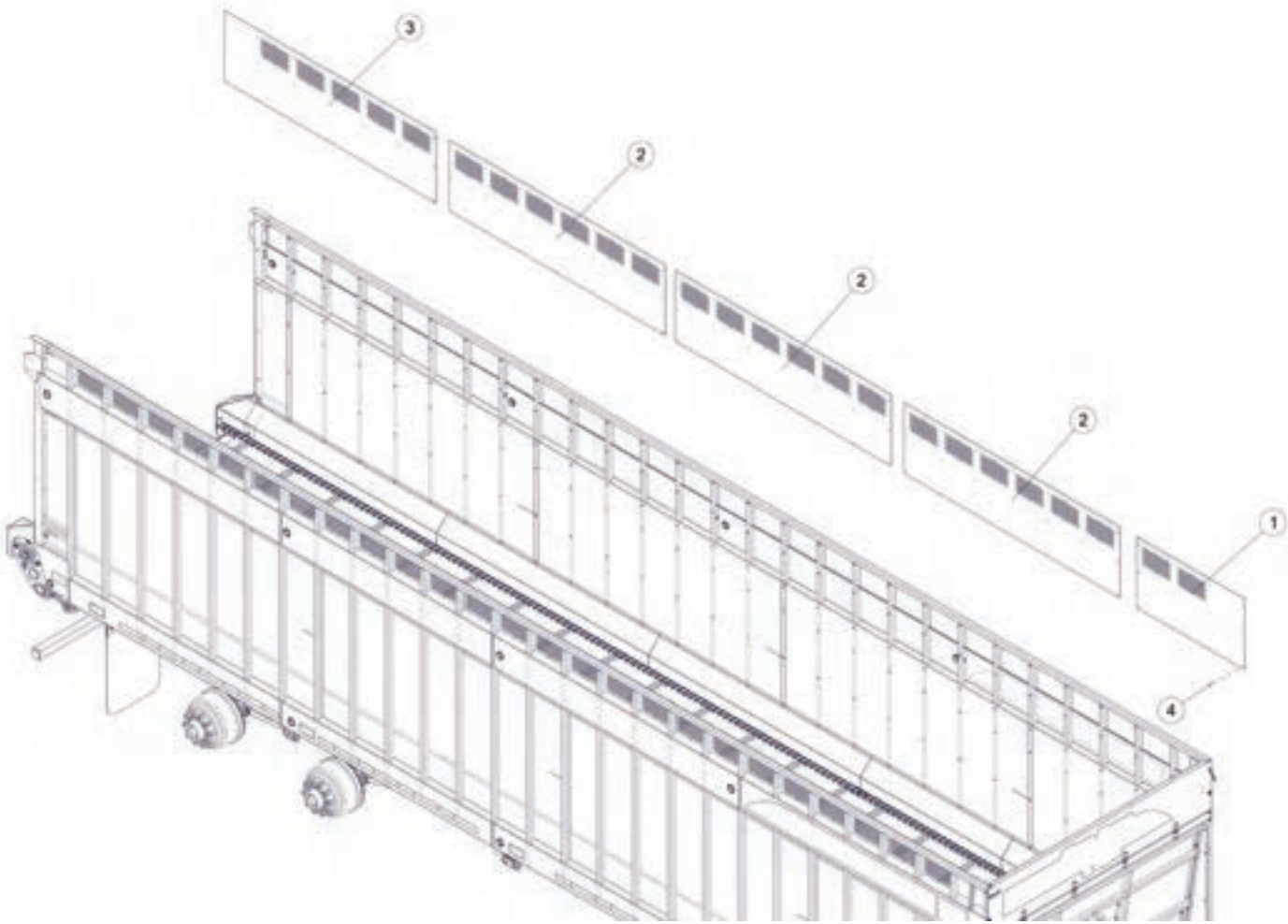




FIGURE 5
FRONT PANEL W/WINDOW

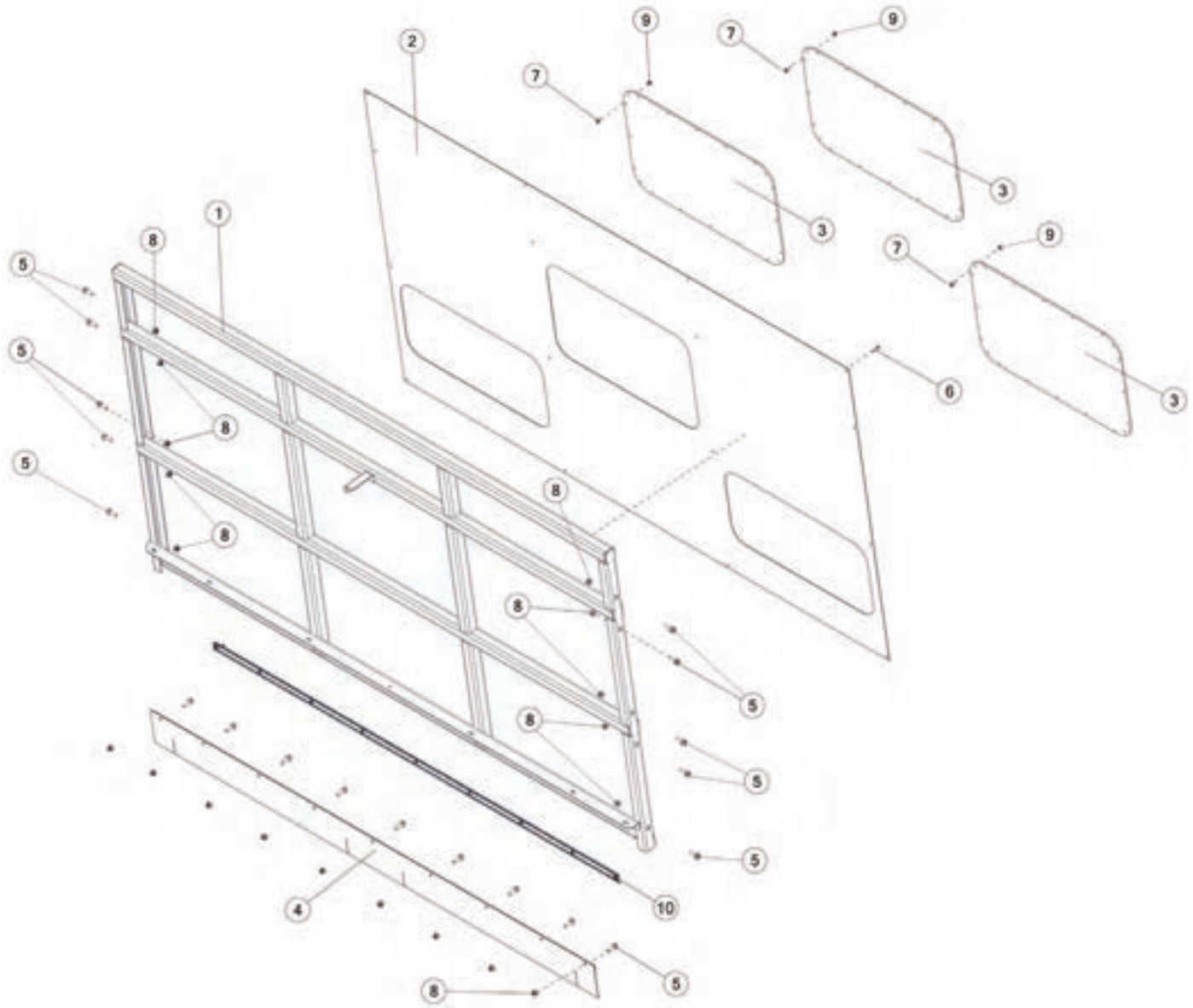




FIGURE 6
FRONT PANEL AND COMPONENTS

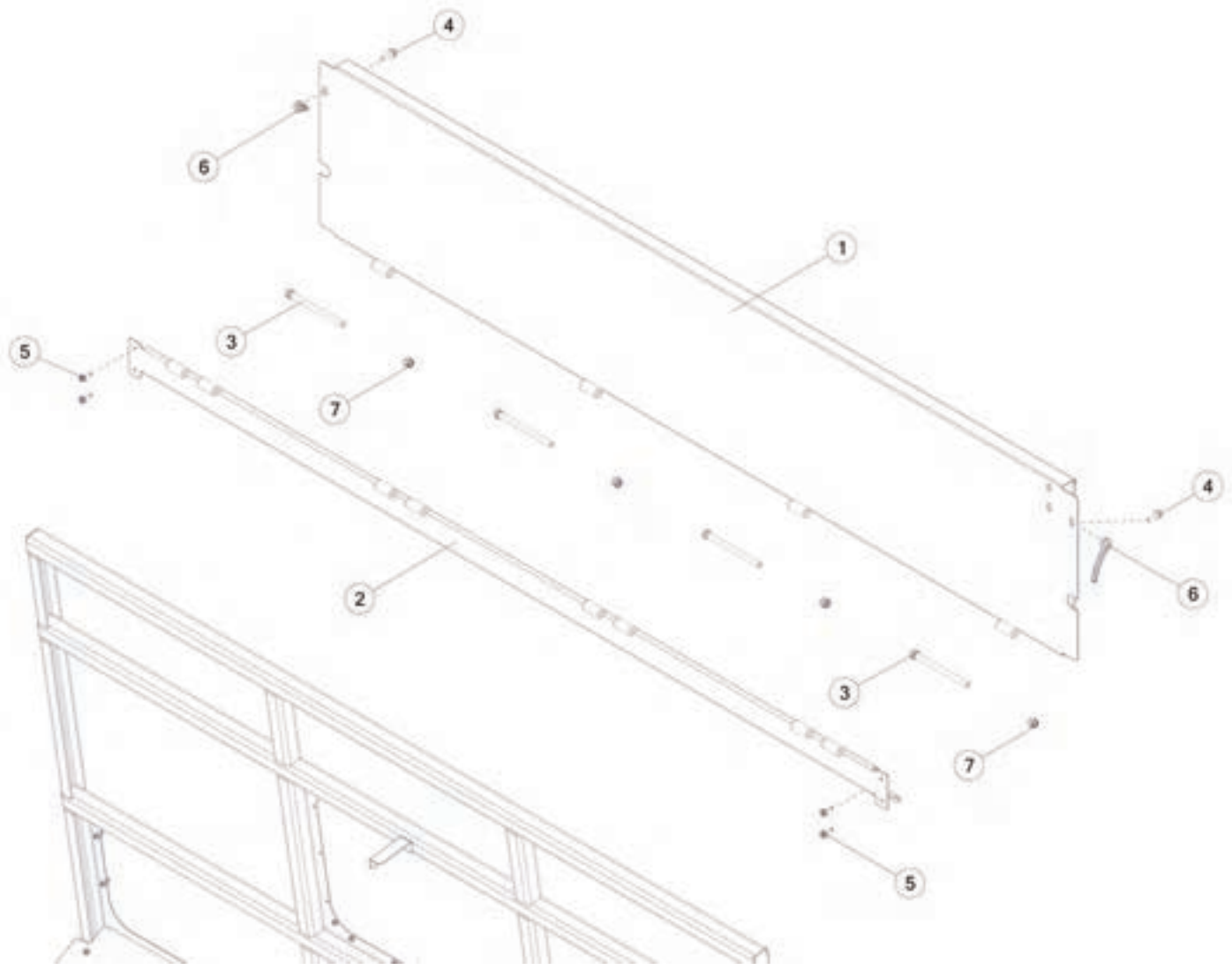




FIGURE 7 FLOOR HOLD DOWNS AND COMPONENTS

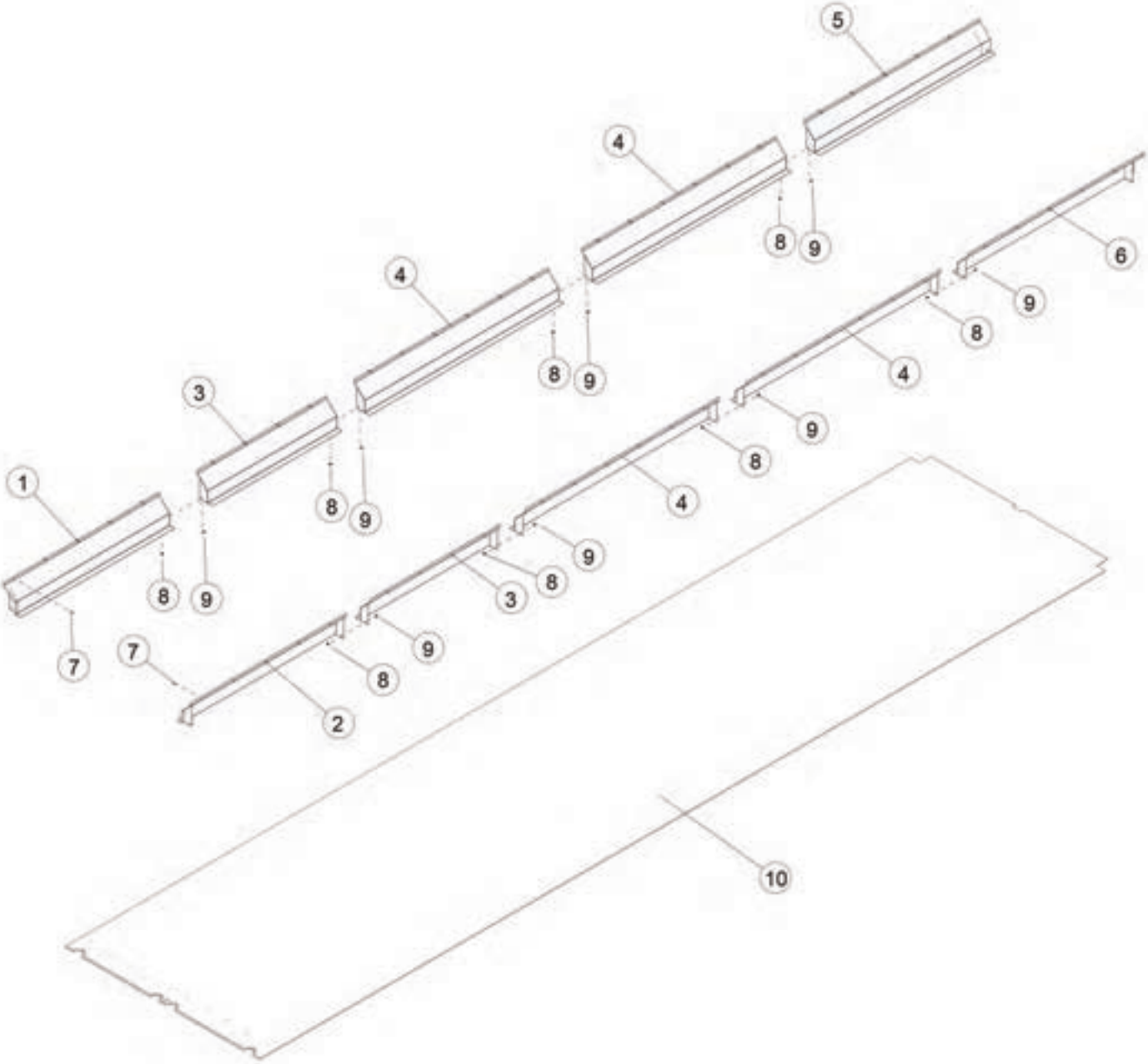




FIGURE 8 IDLER SHAFT AND COMPONENTS

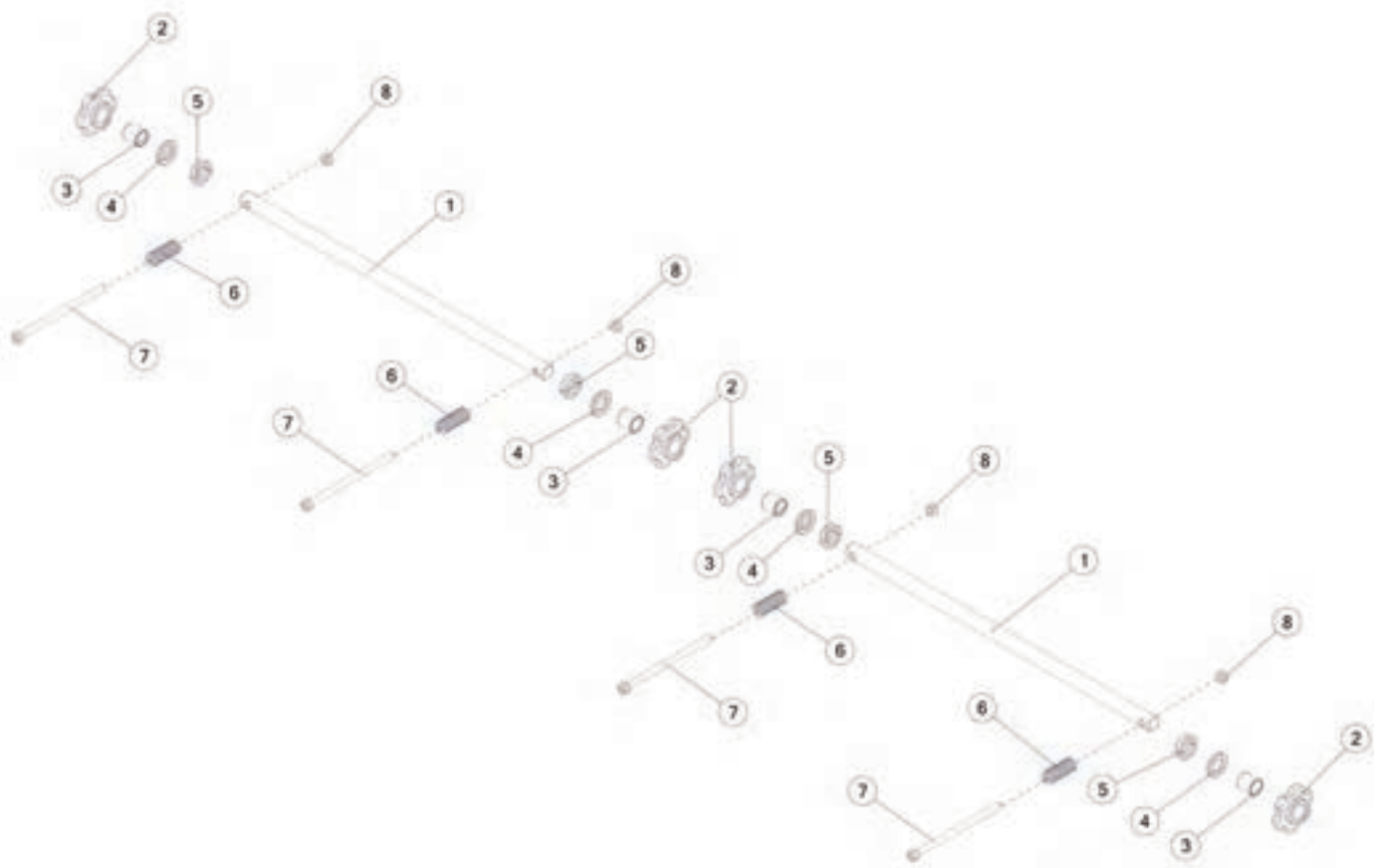




FIGURE 9
DRIVE SHAFT AND COMPONENTS

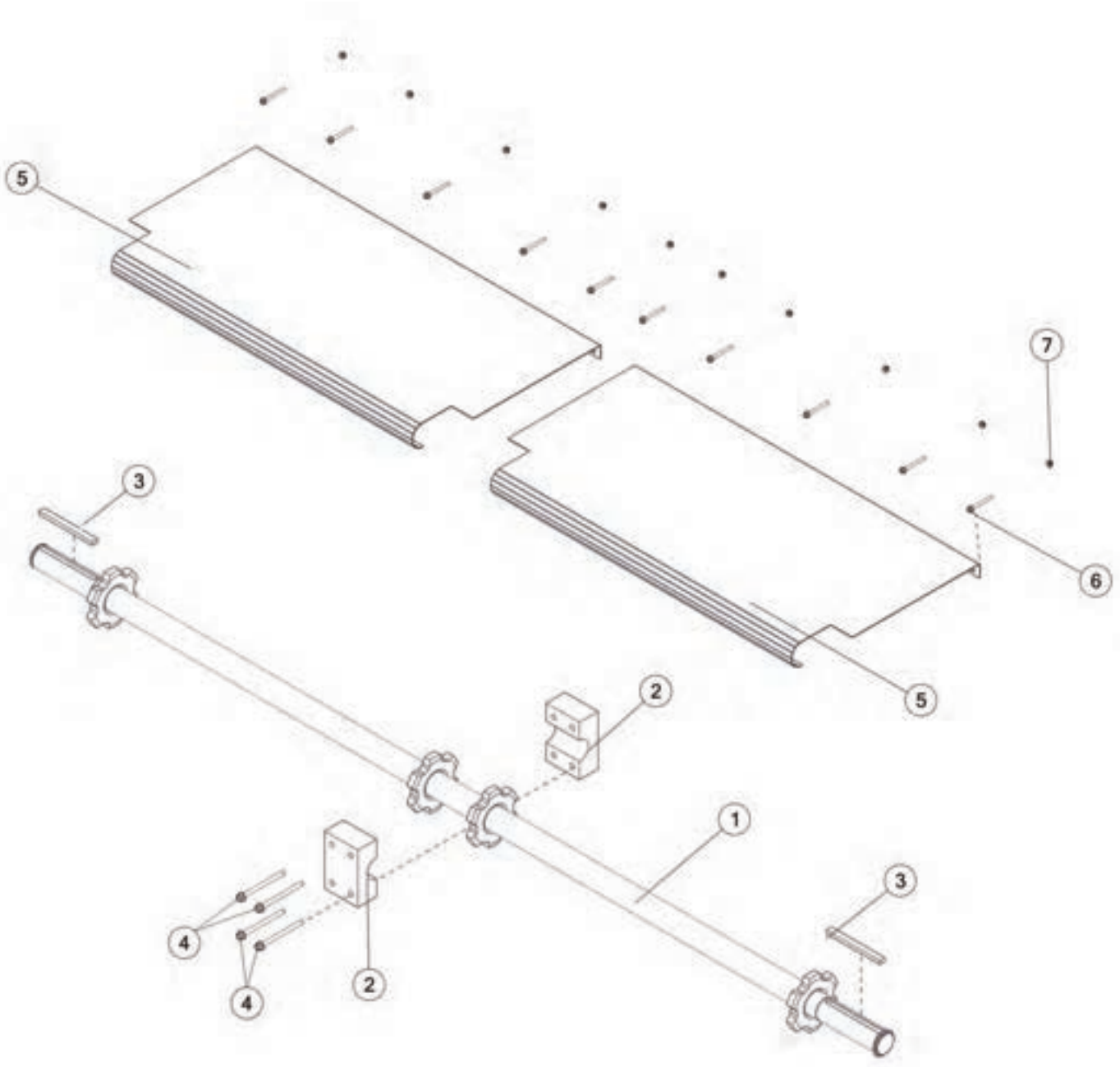




FIGURE 10
FLOOR CHAIN

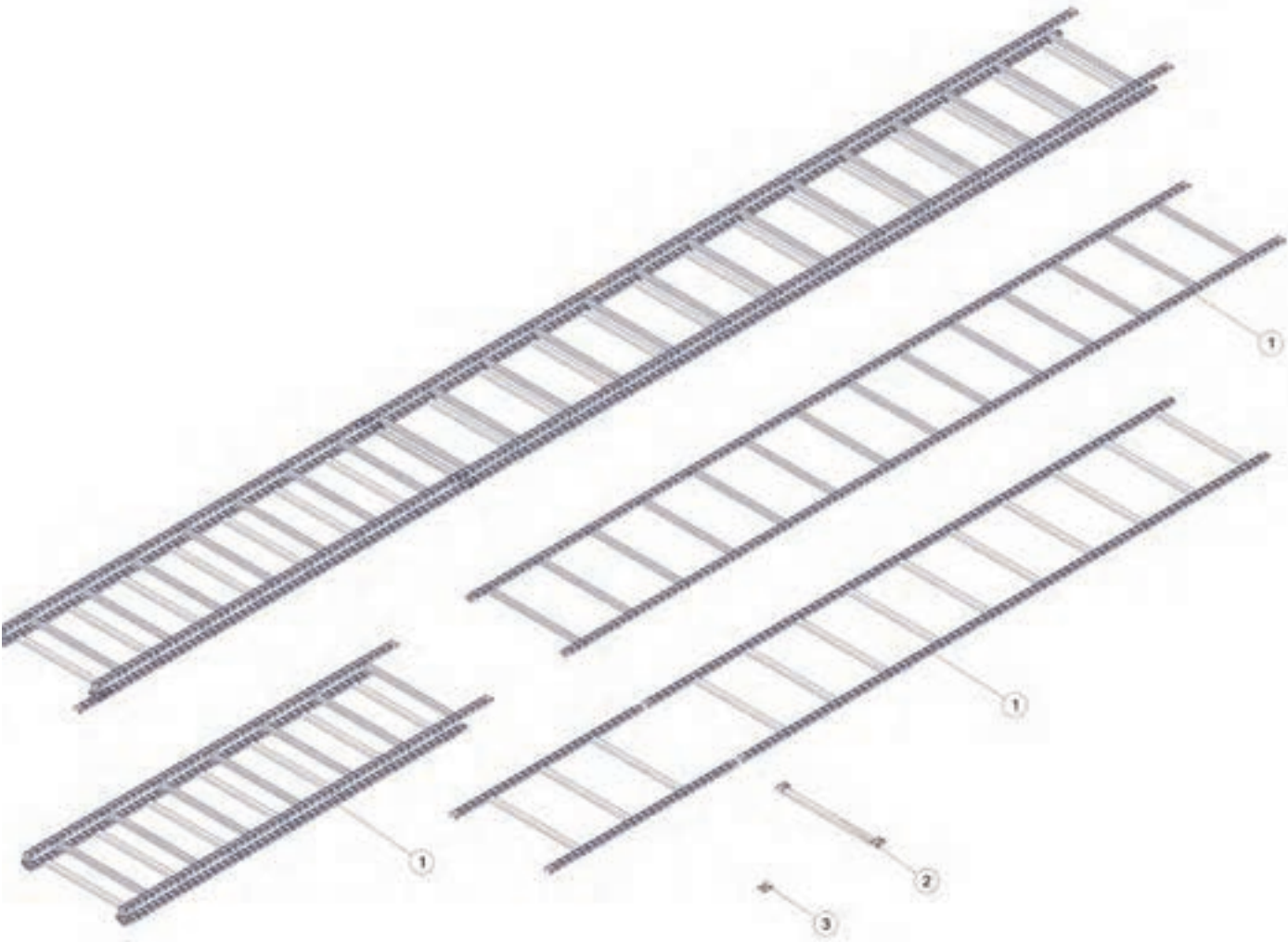
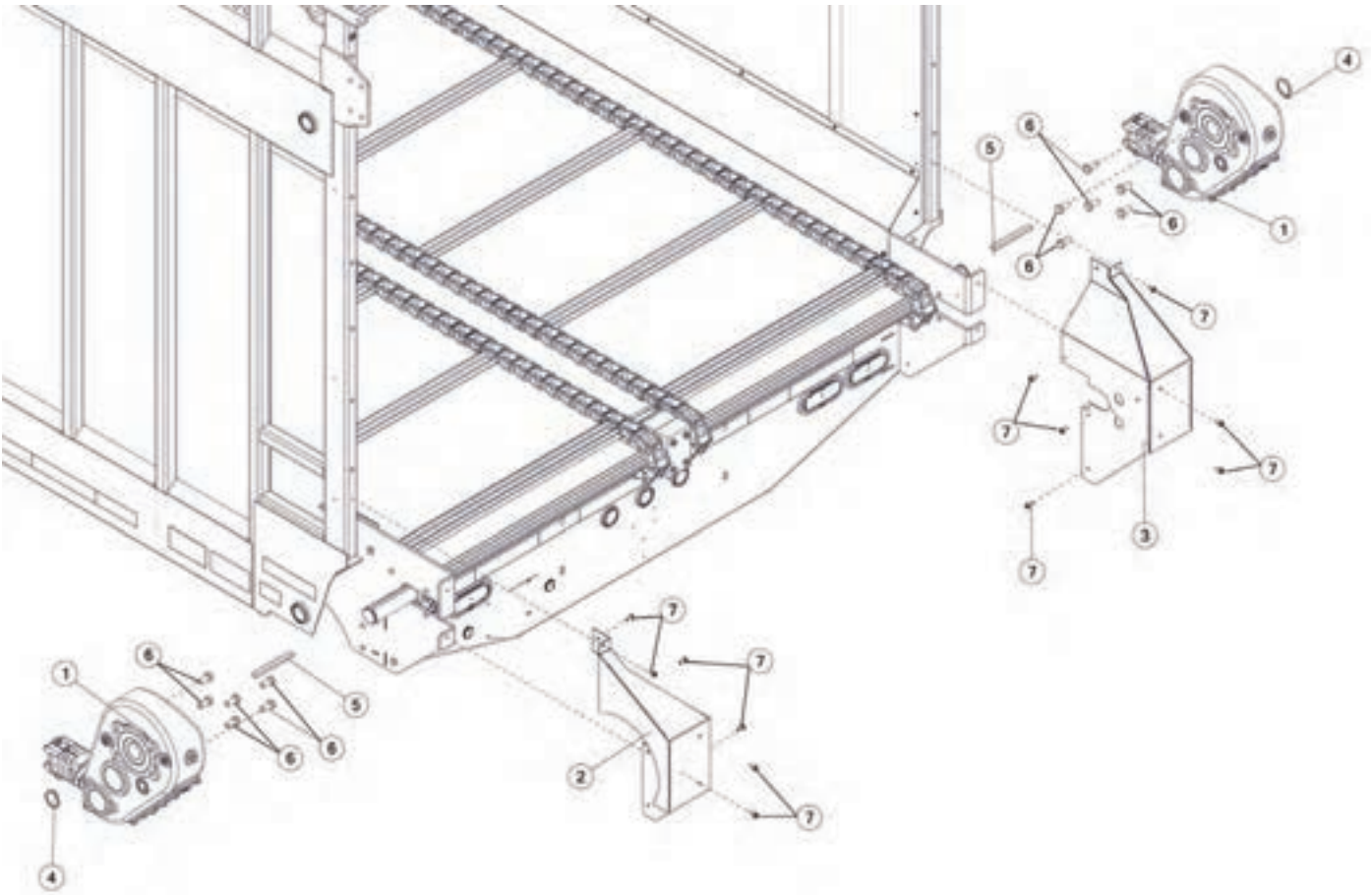
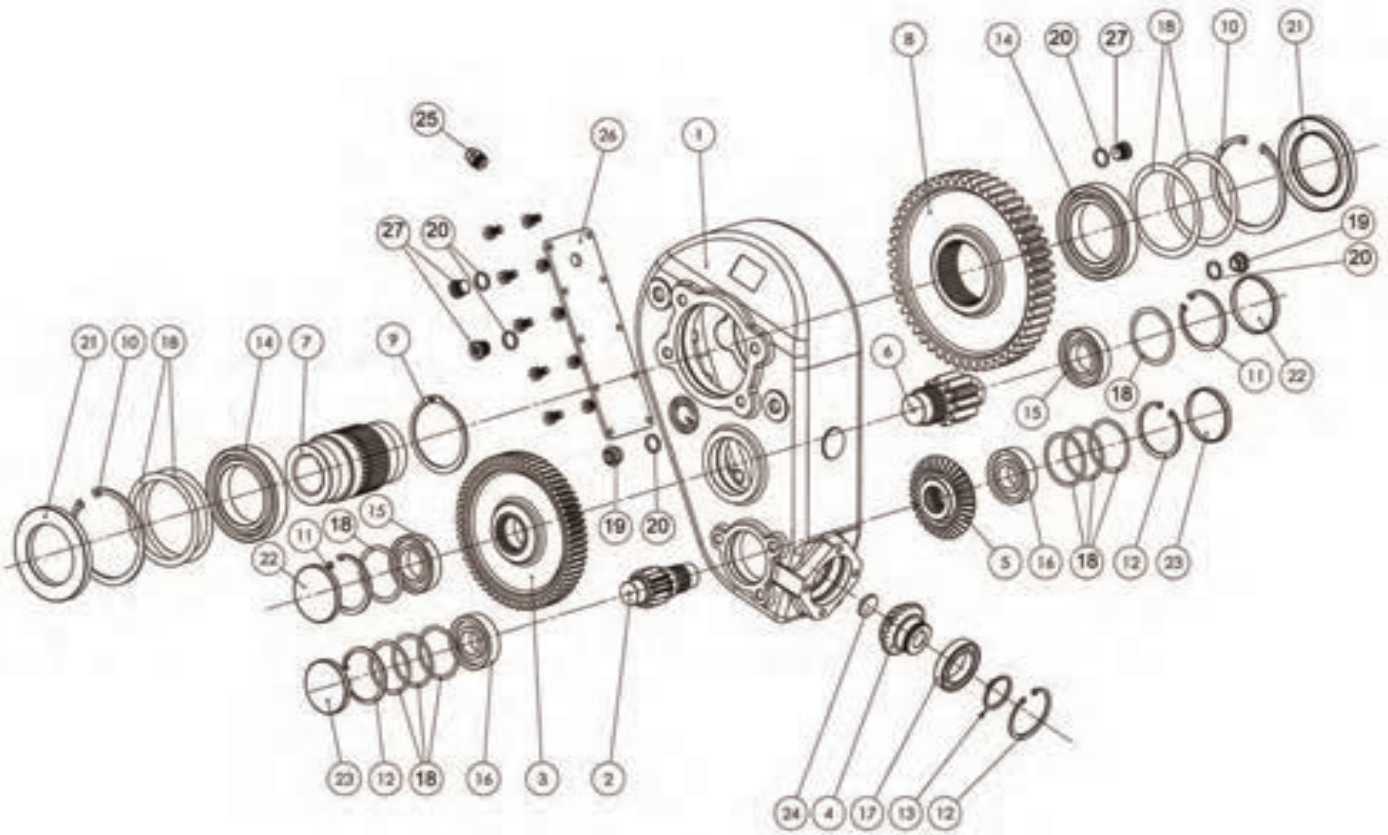




FIGURE 11

GEARBOX AND COMPONENTS





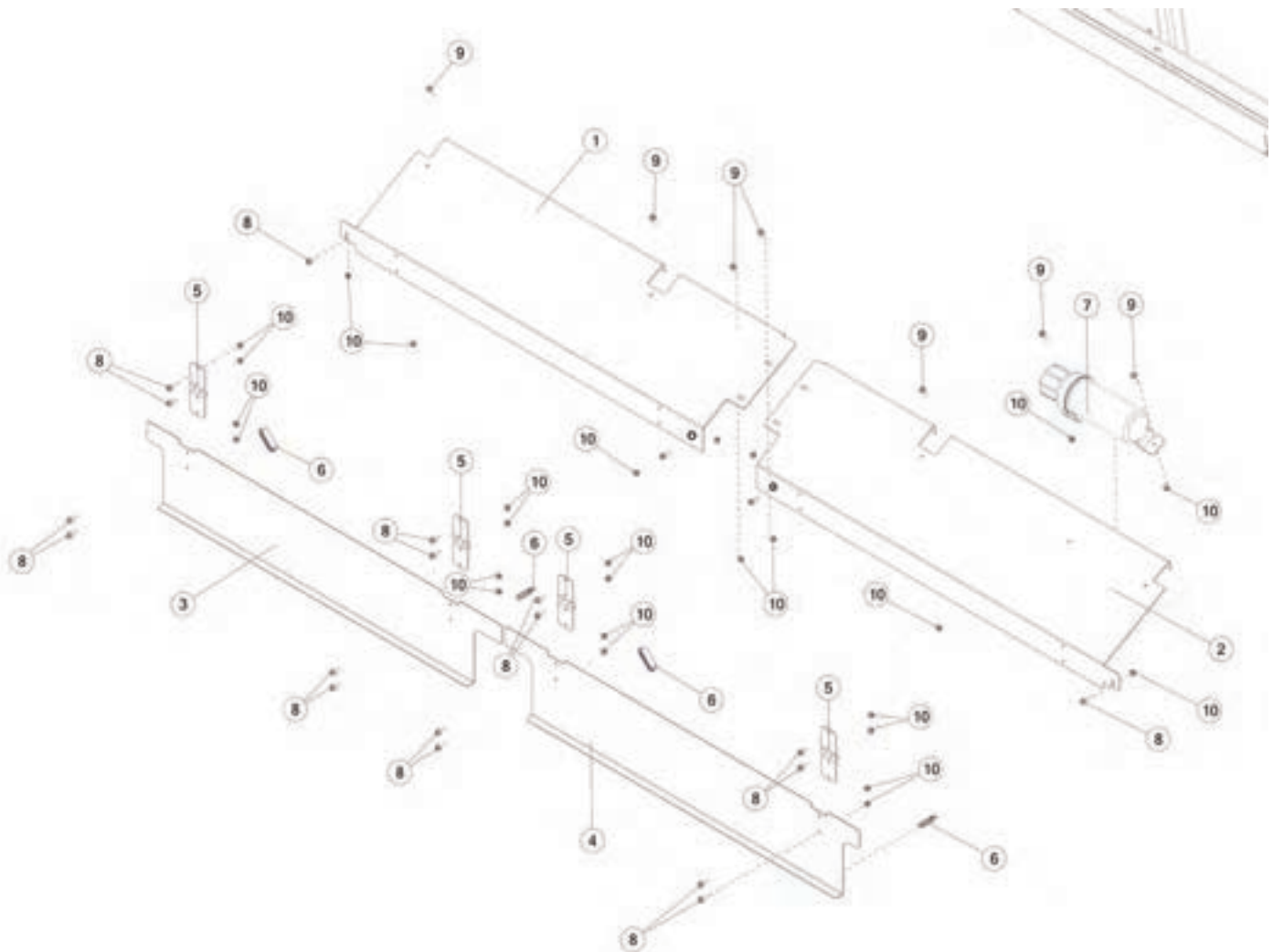




FIGURE 14 GLADHANDS AND COMPONENTS

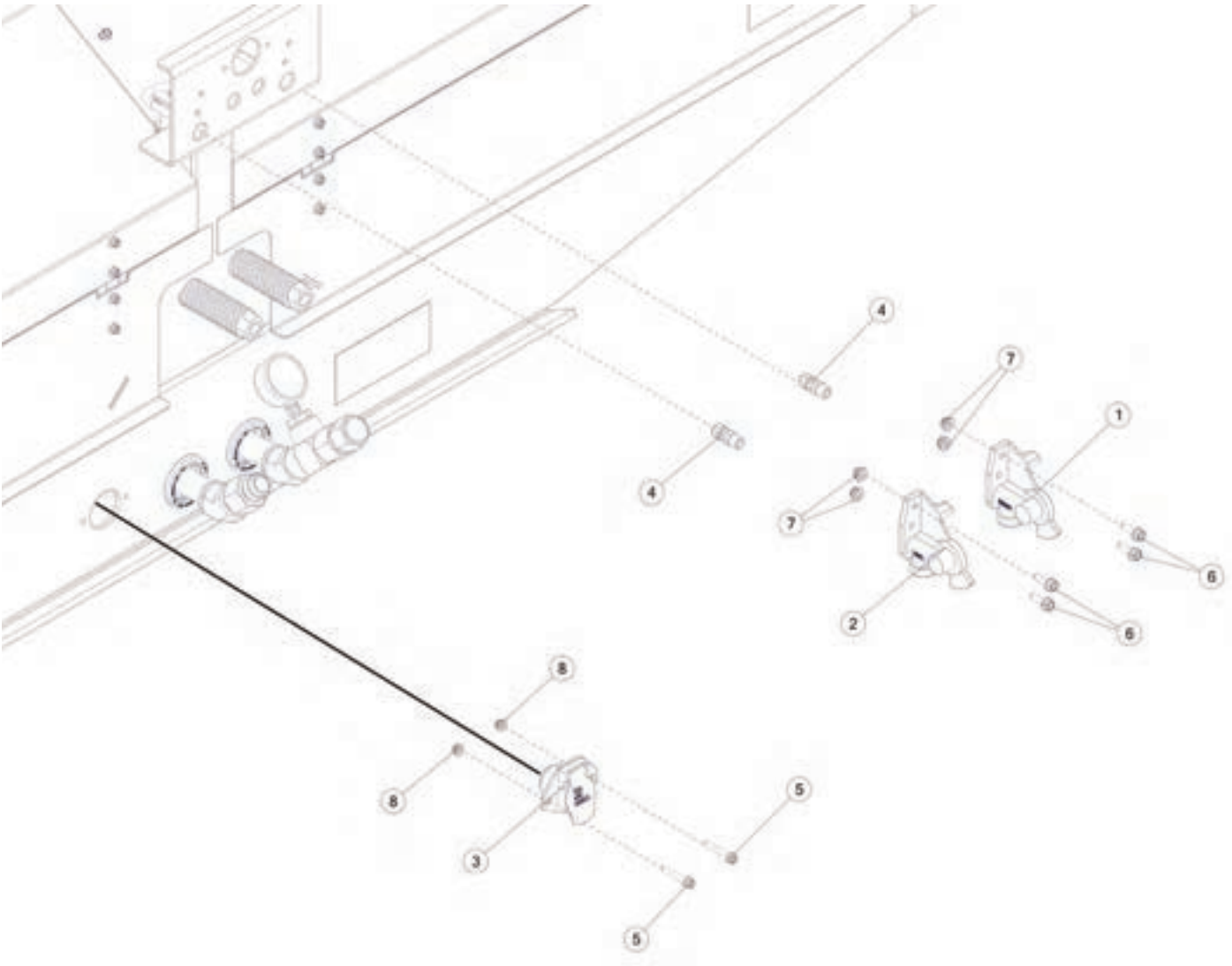




FIGURE 15
AIR LINES AND COMPONENTS

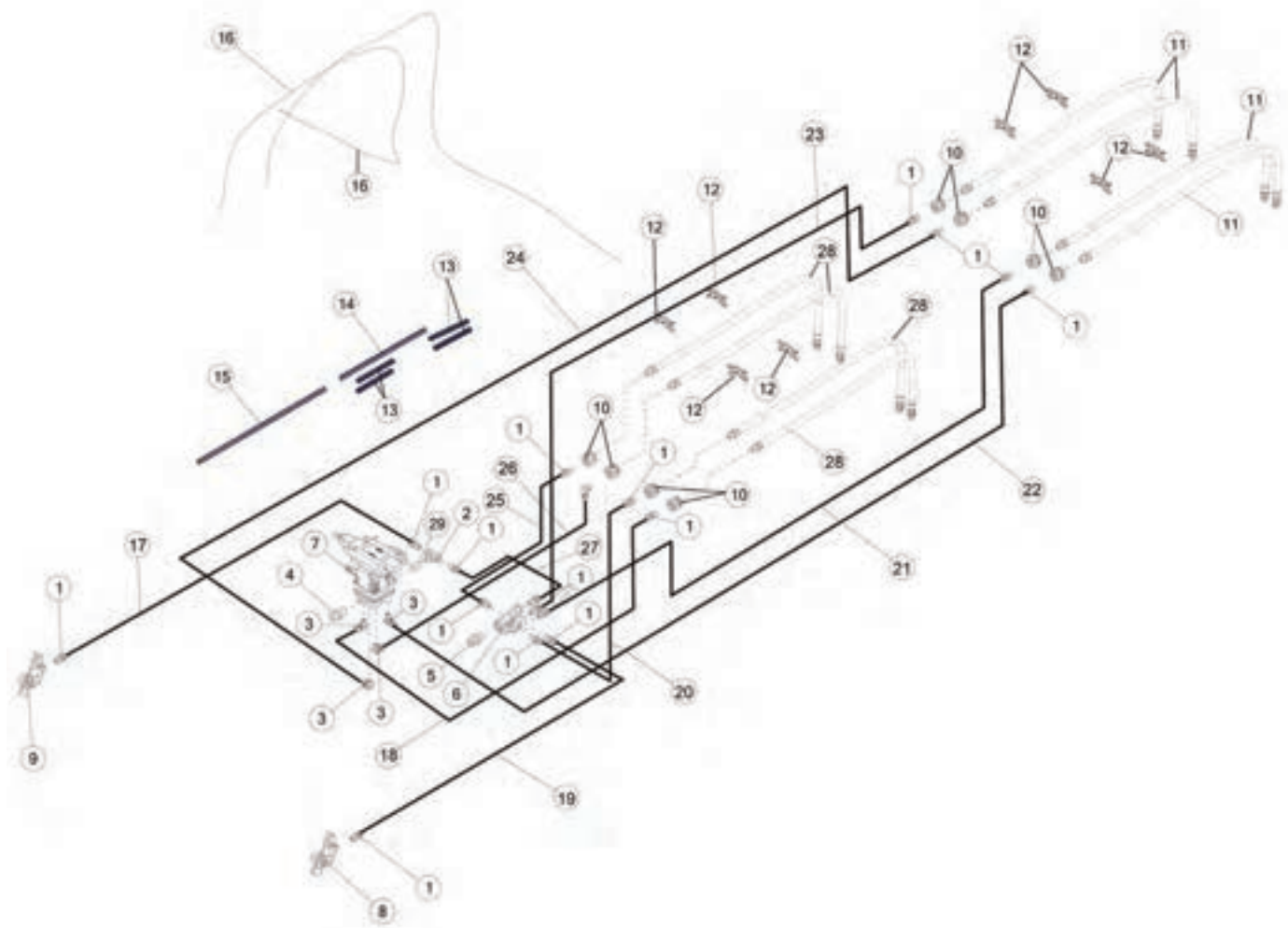




FIGURE 15

AIR LINES AND COMPONENTS

REF #	PART #	DESCRIPTION	QTY
1	1032	MALE CONNECTOR, 3/8	16
2	WM146	MALE BRANCH TEE	1
3	55798	FITTING ELBOW, 3/8 NPT	5
4	LW98	FITTING STRAIGHT, 12NPT X 12NPT	1
5	61584	FITTING STRAIGHT, 12NPT X 8NPT	1
6	1010	ABS SPRING BRAKE VALVE	1
7	1013	MERITOR WABCO ABS KIT 2S/1M	1
8	1015	37 DEGREE EMERGENCY GLADHAND, RED	1
9	1014	37 DEGREE SERVICE GLADHAND, BLUE	1
10	1114	BULKHEAD NIPPLE, 3/8 x 3/8	8
11	1116	HOSE, BACK	4
12	79676	HOSE SEPARATOR	8
13	93927	WIRE LOOM, 1/2 BLK SLT 6	4
14	93953	WIRE LOOM, 1/2 BLK SLT 12	1
15	93954	WIRE LOOM, 1/2 BLK SLT 18	1
16	55759	ABS ELECTRICAL LINE	2
17	94581	SUPPLY LINE, 380	1
18	55633	SUPPLY LINE, 25-1/2 BLUE	1
19	94577	EMERGENCY AIR LINE, 380	1
20	55632	EMERGENCY LINE, 19-1/2 RED	1
21	94596	EMERGENCY LINE, 70 RED	1
22	94636	SUPPLY LINE, 81 BLUE	1
23	94598	EMERGENCY LINE, 77 RED	1
24	94600	SUPPLY LINE, 70-1/2 BLUE	1
25	1109	EMERGENCY LINE, 22 RED	1
26	55631	SUPPLY LINE, 10 BLUE	1
27	55634	SUPPLY LINE, 15 BLUE	1
28	1115	HOSE, FRONT	4
29	1037	HEX SOCKET PIPE PLUG, 3/4	1



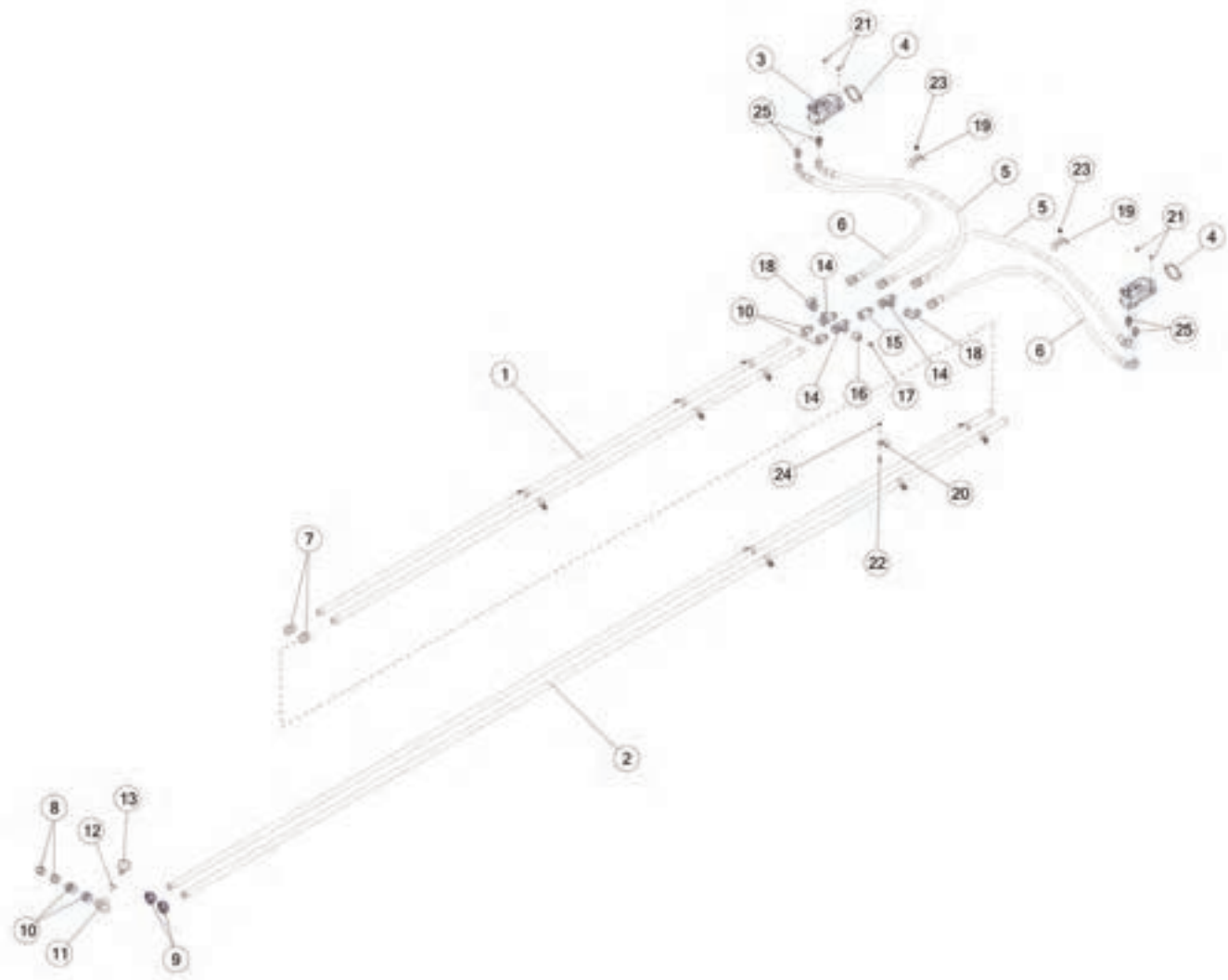
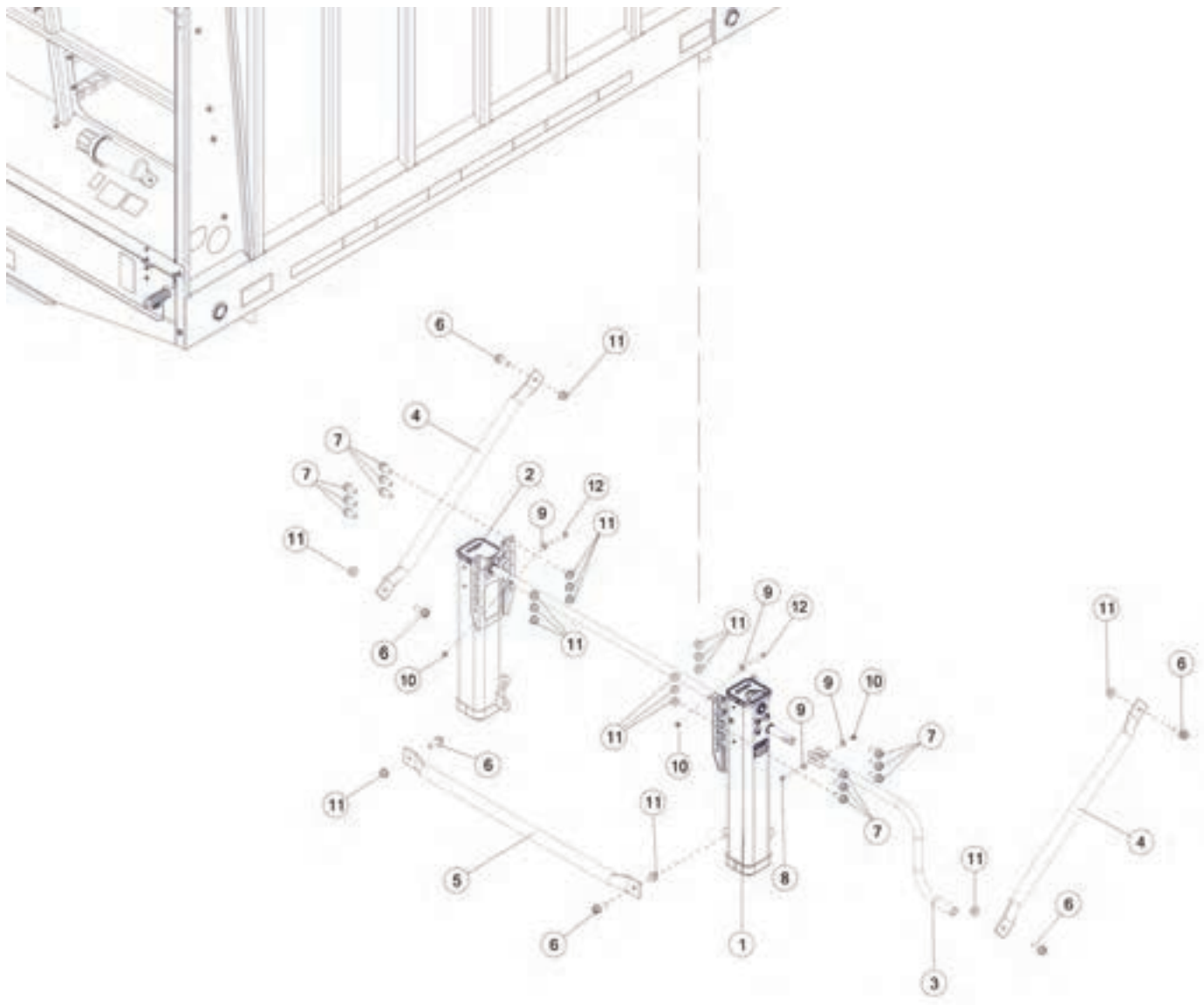
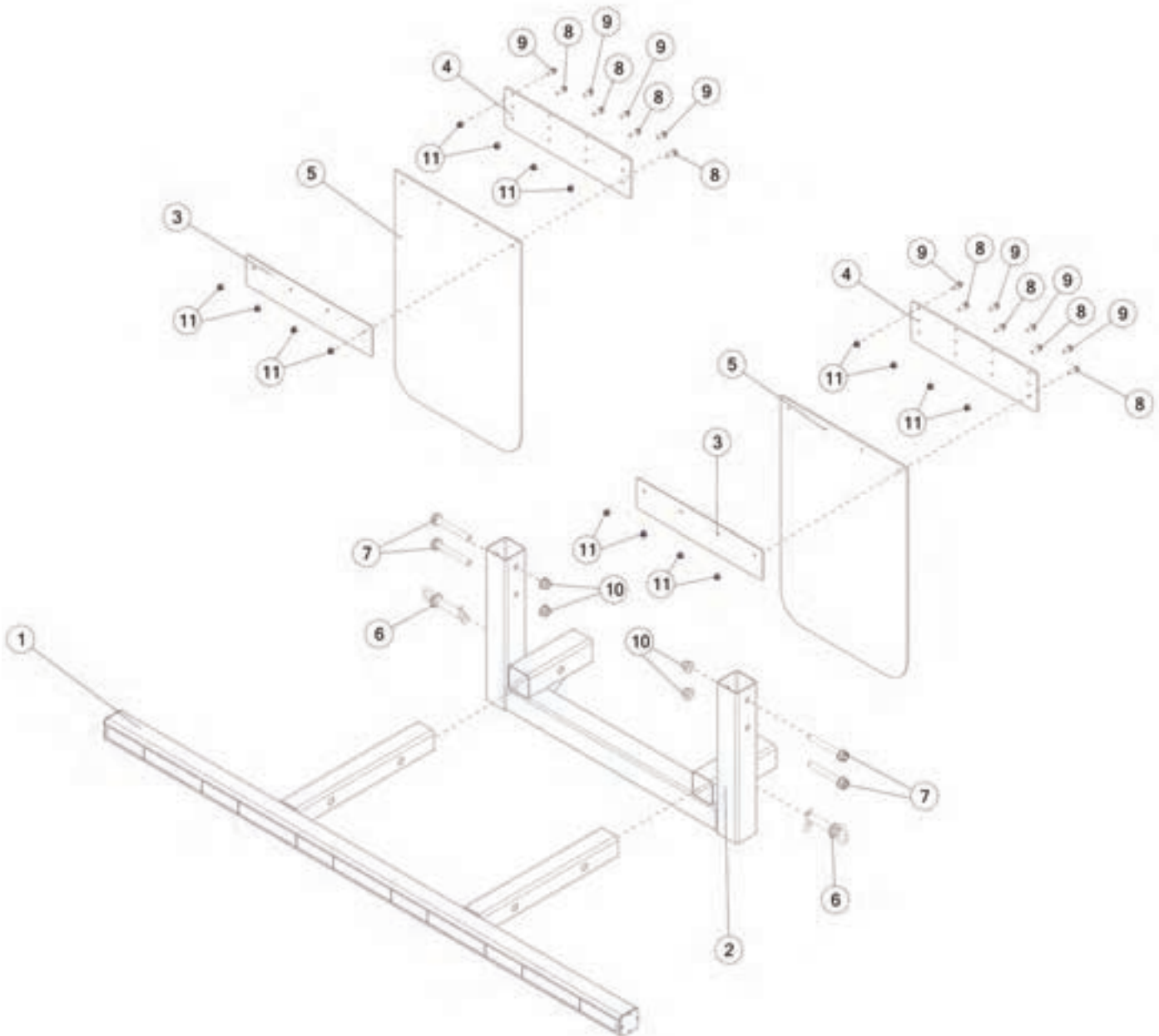


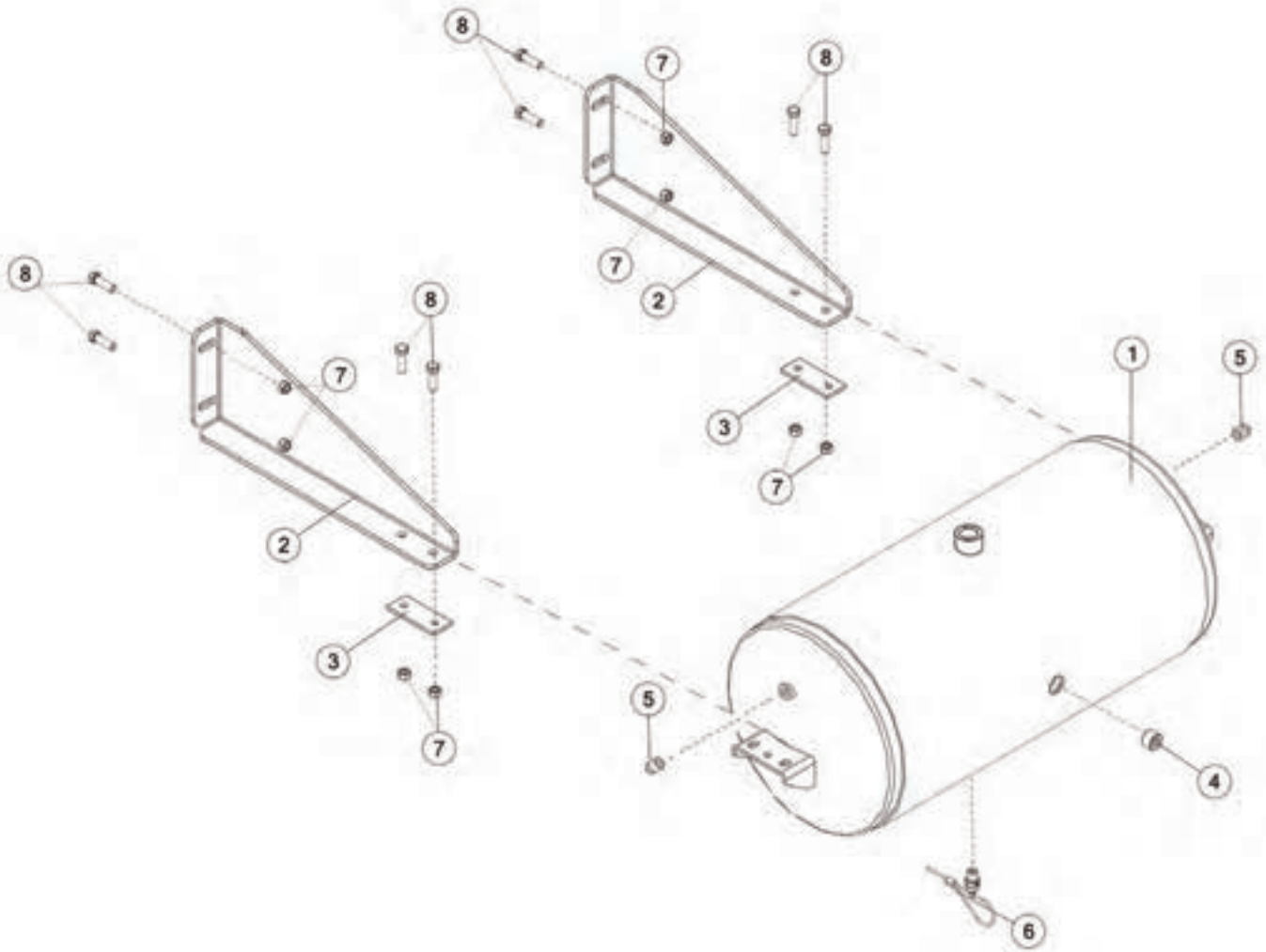


FIGURE 17

LANDING GEAR AND COMPONENTS







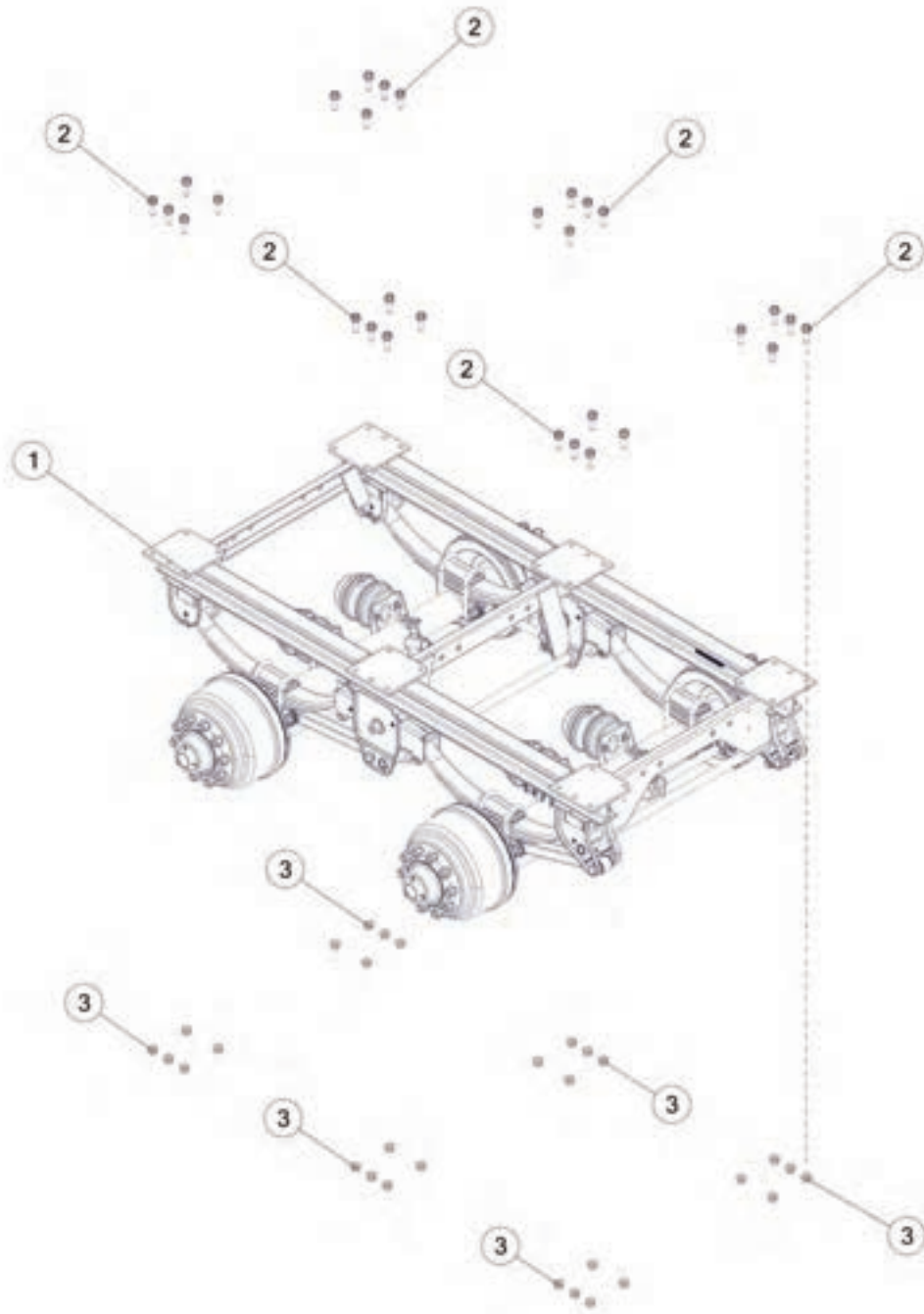
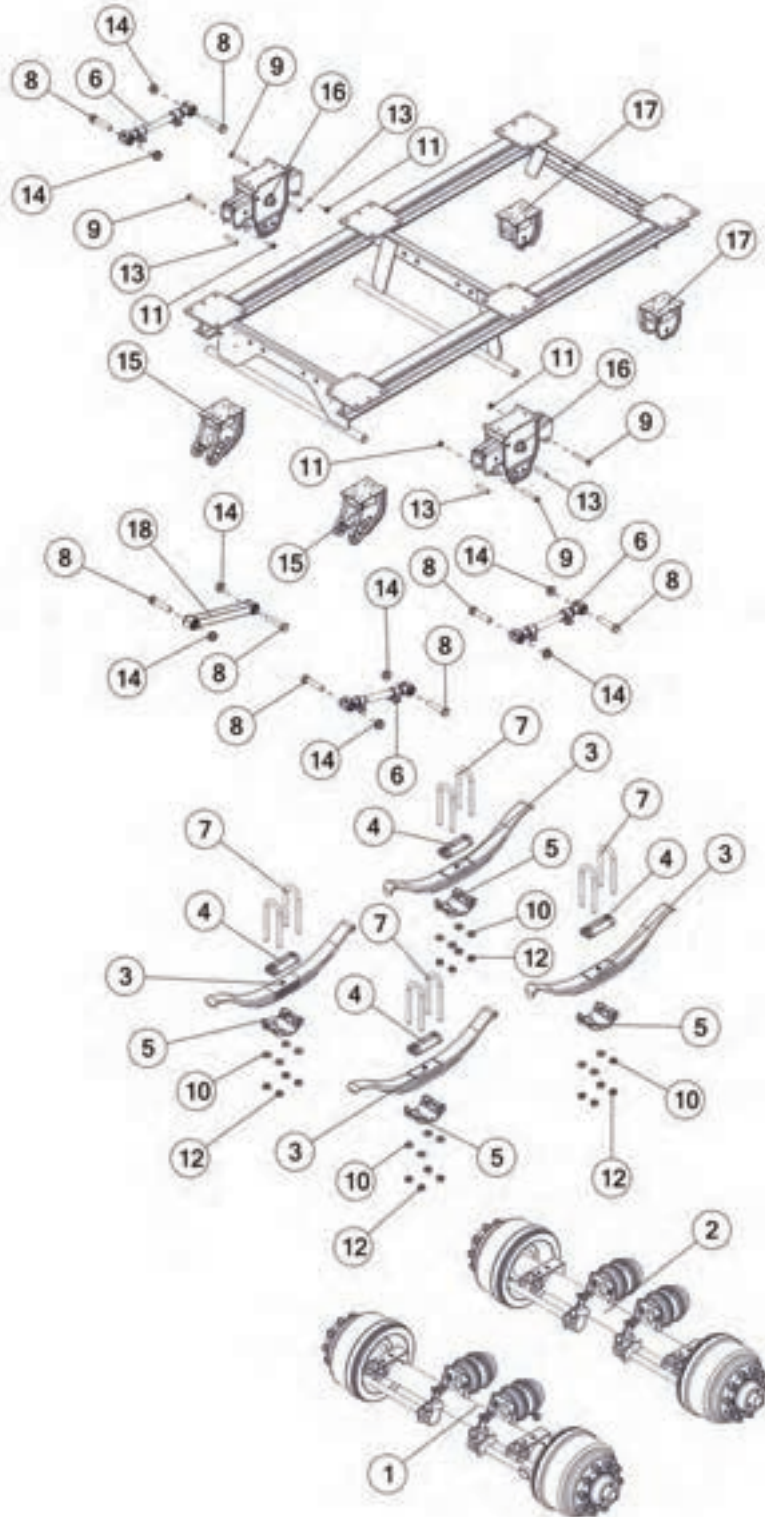
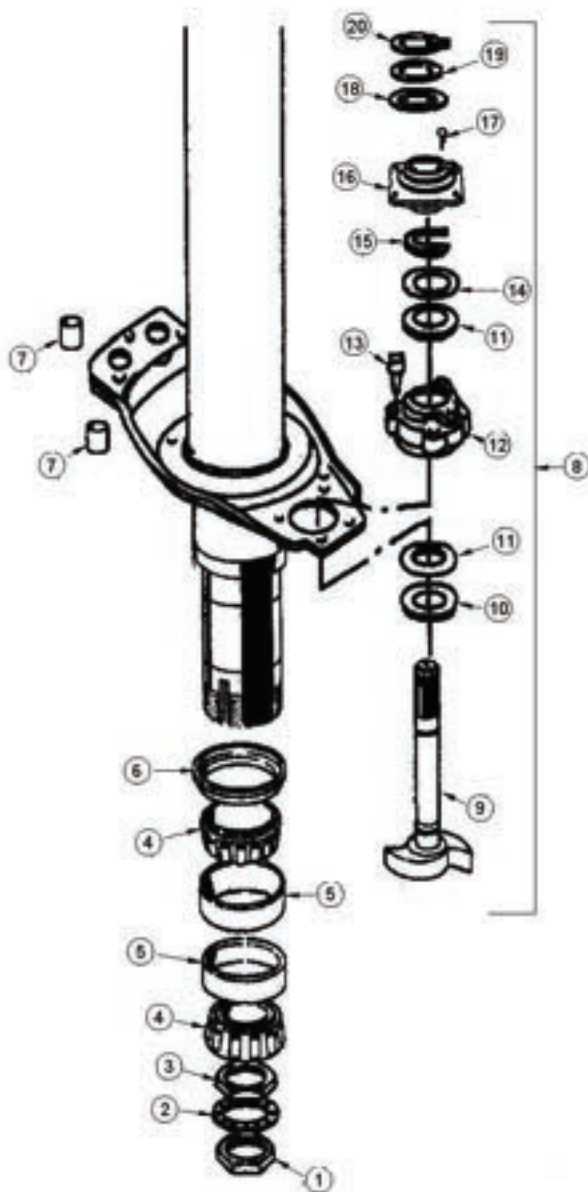
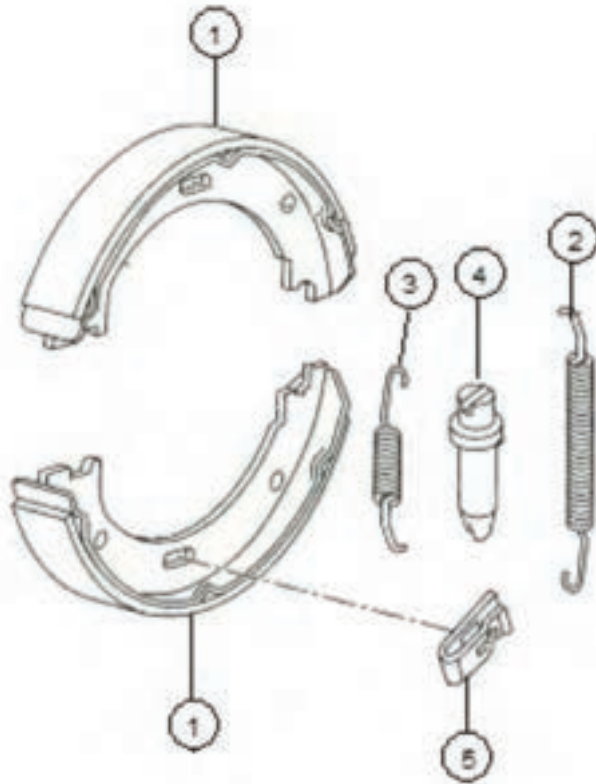




FIGURE 21 AXLE SPRINGS AND COMPONENTS







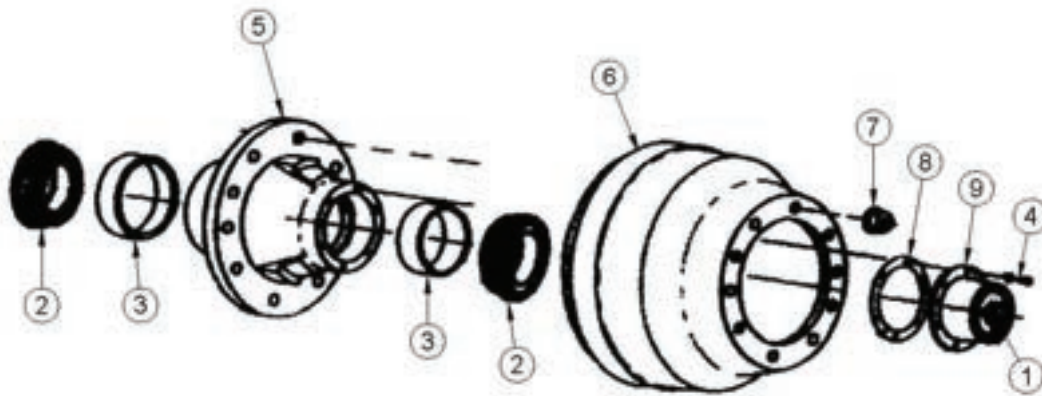
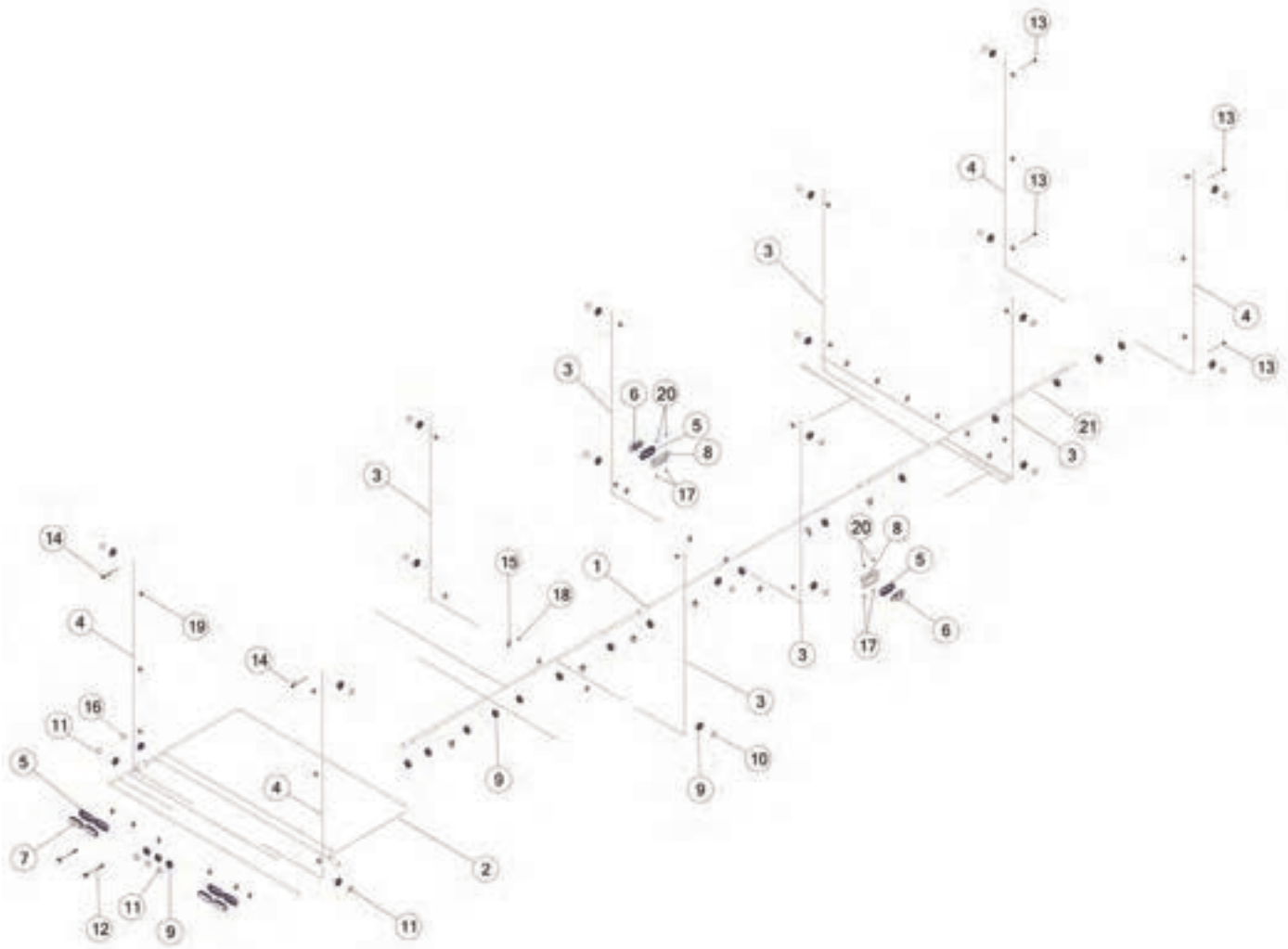




FIGURE 25 ELECTRIC HARNESS AND LIGHTS



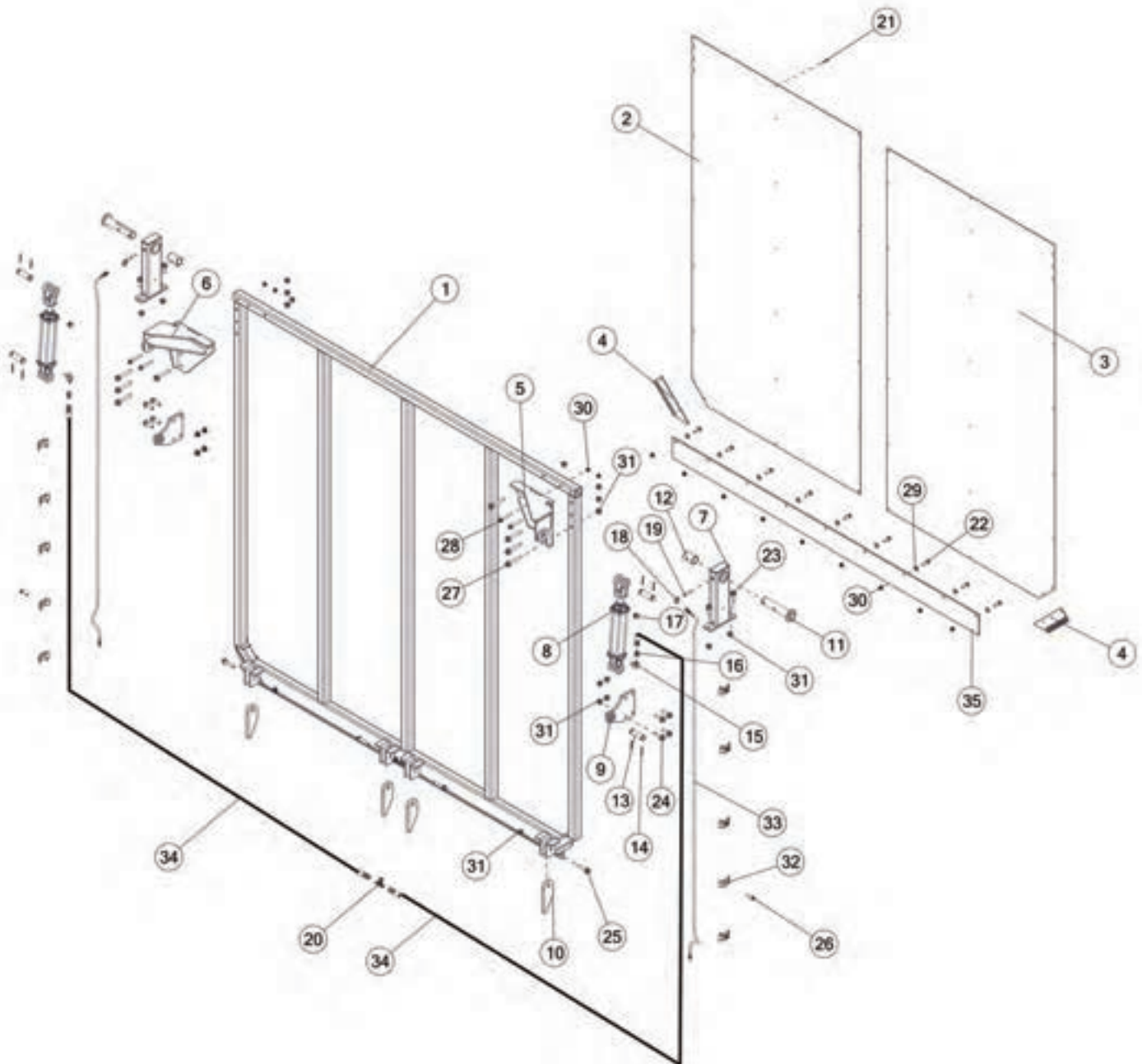




FIGURE 26 OPTIONAL BDOTPD

TOP PIVOT REAR DOOR W/HYD GATE DELAY

REF #	PART #	DESCRIPTION	QTY
1	96998	DOOR	1
2	97006	DOOR SKIN, LH	1
3	97008	DOOR SKIN, RH	1
4	88283	CORNER DOOR SEAL	2
5	89945	UPPER GATE DELAY MOUNT, RH	1
6	89265	UPPER GATE DELAY MOUNT, LH	1
7	94542	STAKE TOP REAR ASSEMBLY	2
8	55999	CYLINDER, 2 x 8 3000 PSI	2
*	56187	SEAL KIT	2
9	89267	LOWER GATE DELAY MOUNT	2
10	BBS67	LATCH	4
11	BBS64	DOOR HINGE PIN	2
12	BFR625	BRONZE BUSHING, TANDEM PIN	2
13	T143	HYDRAULIC CYLINDER PIN	4
14	YPCT05010	COTTER PIN, 5/32 X 1-1/2	8
15	CHM164	FITTING 90, 6JIC X 3/8NPT	2
16	58144	IN-LINE CONNECTOR, ORIFICE, 6-XHX7-S .062	2
17	BFR70	VENT PLUG, 3/8	2
18	90684	FITTING 90, 1/8NPT X 1/8NPT	2
19	90681	PIPE NIPPLE	2
20	58137	FITTING T, 6JIC X 6JIC X 6JIC	1
21	YSDR66005	SELF DRILL SCRWB, HEX WASHER HEAD, #12 X 1 ZC	42
22	YBFB12125	BOLT FLANGE, 3/8 X 1-1/4 G5	9
23	YBFB16150	BOLT FLANGE, 1/2 X 1-1/2 G5	4
24	YBFB16175	BOLT FLANGE, 1/2 X 1-3/4 G5	8
25	YBFB16250	BOLT FLANGE, 1/2 X 2-1/2 G5	4
26	YSHW10020	SCREW THREAD CUTTING, 5/16 X 1-1/2	2
27	YBFB16350	BOLT FLANGE, 1/2 X 3-1/2 G5	8
28	YBFB12300	BOLT FLANGE, 3/8 X 3 G5	4
29	YWFL12005	WASHER FLAT, 3/8 USS	9
30	YNFG12006	NUT FLANGE, 3/8 GF	13
31	YNFG16003	NUT FLANGE, 1/2 GF	24
32	23N67	FRONT HOSE BRACKET	2
33	HS101723	HYDRAULIC HOSE, 2, 104	2
34	78689	HYDRAULIC HOSE, 6, 230	2
35	94722	DOOR RUBBER, REAR	1





FIGURE 27
OPTIONAL FBOTPDSK
SEAL KIT FOR TOP PIVOT DOOR

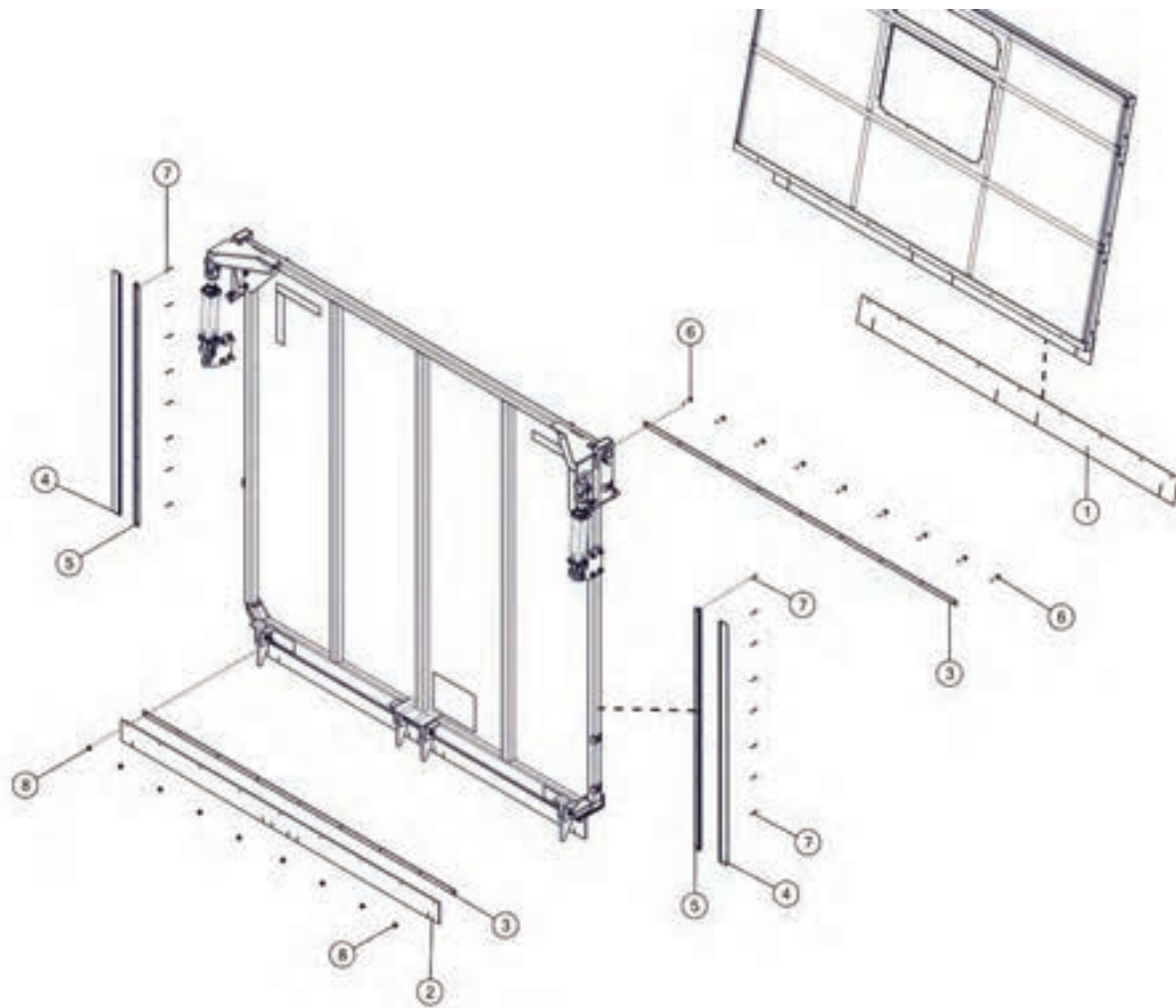




FIGURE 28
OPTIONAL TDO36RH
36FT ROOF HOOD - NOT INSTALLED

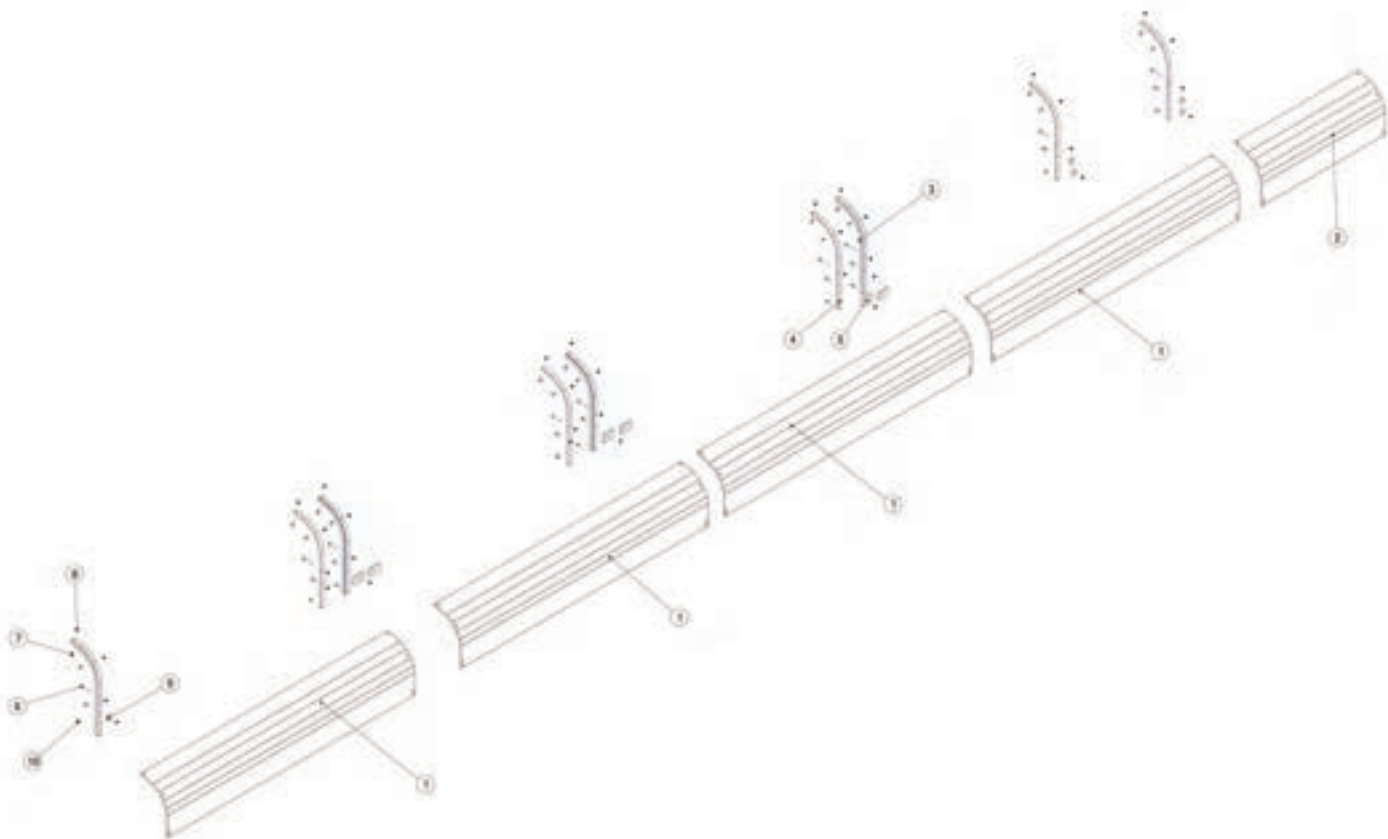




FIGURE 29

OPTIONAL TDOSBD - TRUCK MOUNT SWINGING BARN DOORS W/AIR CLOSURE

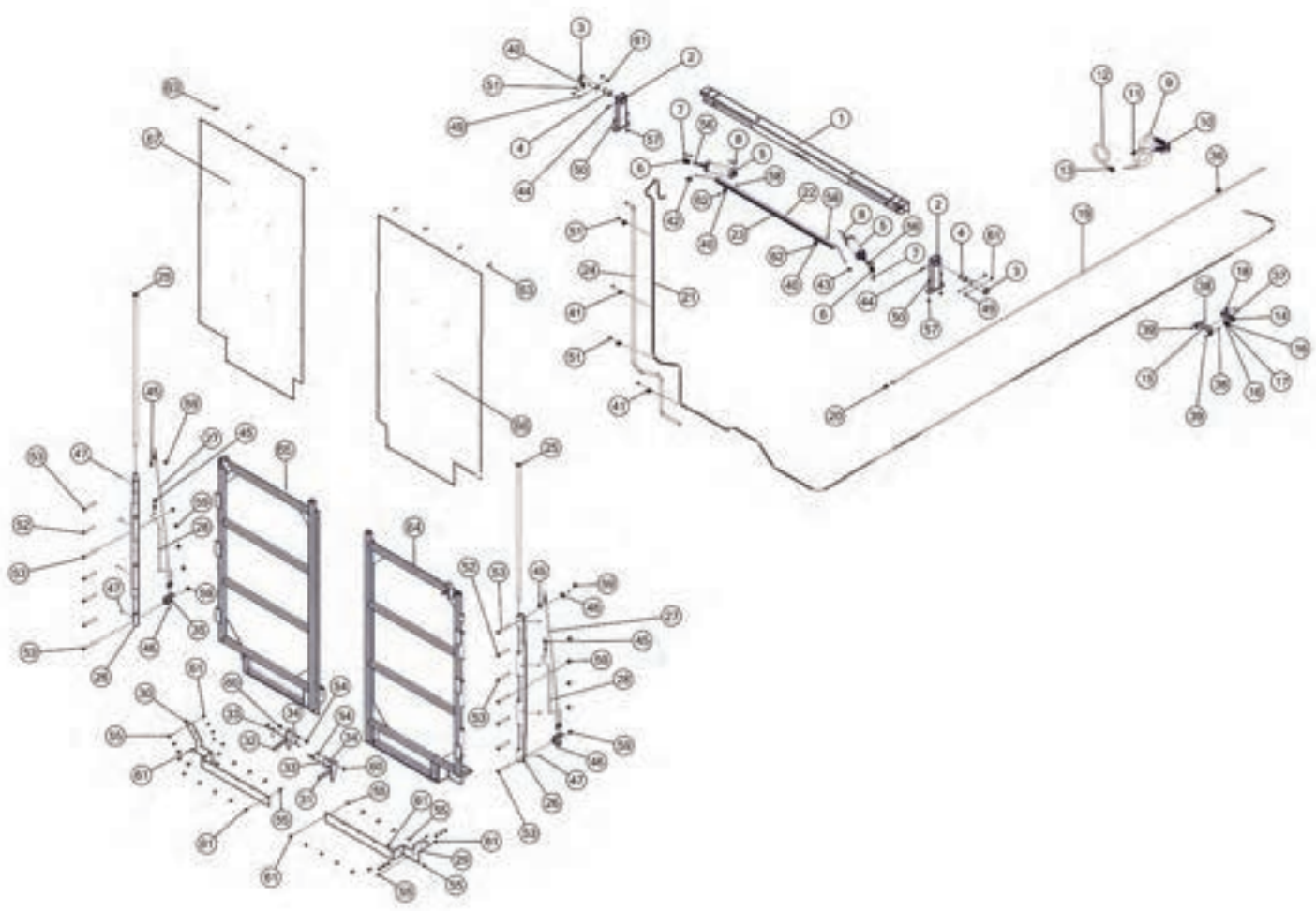




FIGURE 29

OPTIONAL TDOSBD - TRUCK MOUNT SWINGING BARN DOORS W/AIR CLOSURE

REF #	PART #	DESCRIPTION	QTY
1	85203	TOP CHANNEL, AIR	1
2	BBS21	STAKE TOP REAR	2
3	BBS64	DOOR HINGE PIN	2
4	BBS39	BUSHING	2
5	GD49	AIR CYLINDER, 2-1/2 X 8	2
6	8542	CLEVIS, .625-18	2
7	8544	CLEVIS PIN, 1/2 DIA X 1-1/2	2
8	8543	CLEVIS PIN, 1/2 DIA X 1-3/8	2
9	63361	HAND CONTROLLER, (ON)-OFF	1
10	16SV235	SWITCH BOOTS	1
11	58790	DEUTSCH 2 PIN PLUG HOUSING	1
12	1093	DIN CORD	1
13	LW285	DIN CONNECTOR SMALL	1
14	8031	NORGREN VALVE 4 WAY	1
15	54510	AIR VALVE MOUNTING BRACKET	1
16	GD7	VENT PLUG, CONE SHAPED, 1/4	2
17	58651	DOT FITTING, 1/4 to 3/8	1
18	GD6	MALE COUPLER, 1/4	2
19	58521	TRACTOR POWER SUPPLY CABLE	1
20	56862	DEUTSCH 2 PIN RECEPTACLE, 1 PIN ONLY	1
21	79792	CYLINDER SUPPLY LINE 530 BLACK	1
22	0227MS03	CYLINDER TIE AIR LINE	1
23	0227MS02	WIRE LOOM	1
24	0227MS01	AIR LINE SHIELD	1
25	82449	DOOR HINGE PIN	2
26	82438	HINGE	2
27	88909	GREASE HOSE, 3, 66	2
28	89739	GREASE HOSE, 3, 45	2
29	0227RU01	DOOR SEAL BOTTOM	1
30	94790	DOOR SEAL BOTTOM	1
31	0227WE08	LATCH, RH	1
32	0227WE07	LATCH, LH	1
33	SD190	GAS STRUT	2
34	0227PI02	LATCH SPACER	2
35	94849	PLATE, GREASE LINE	2
36	GD23	STRAIN RELIEF, CONNECTOR	1
37	YSHS62005	BOLT SOCKET, #8-32 X 1-3/4 BO	3
38	YBHH08010	BOLT HEX, 1/4-20 X 1 G5	2
39	YWFL08005	WASHER, FLAT, 1/4 USS	2





FIGURE 29

OPTIONAL TDOSBD - TRUCK MOUNT SWINGING BARN DOORS W/AIR CLOSURE

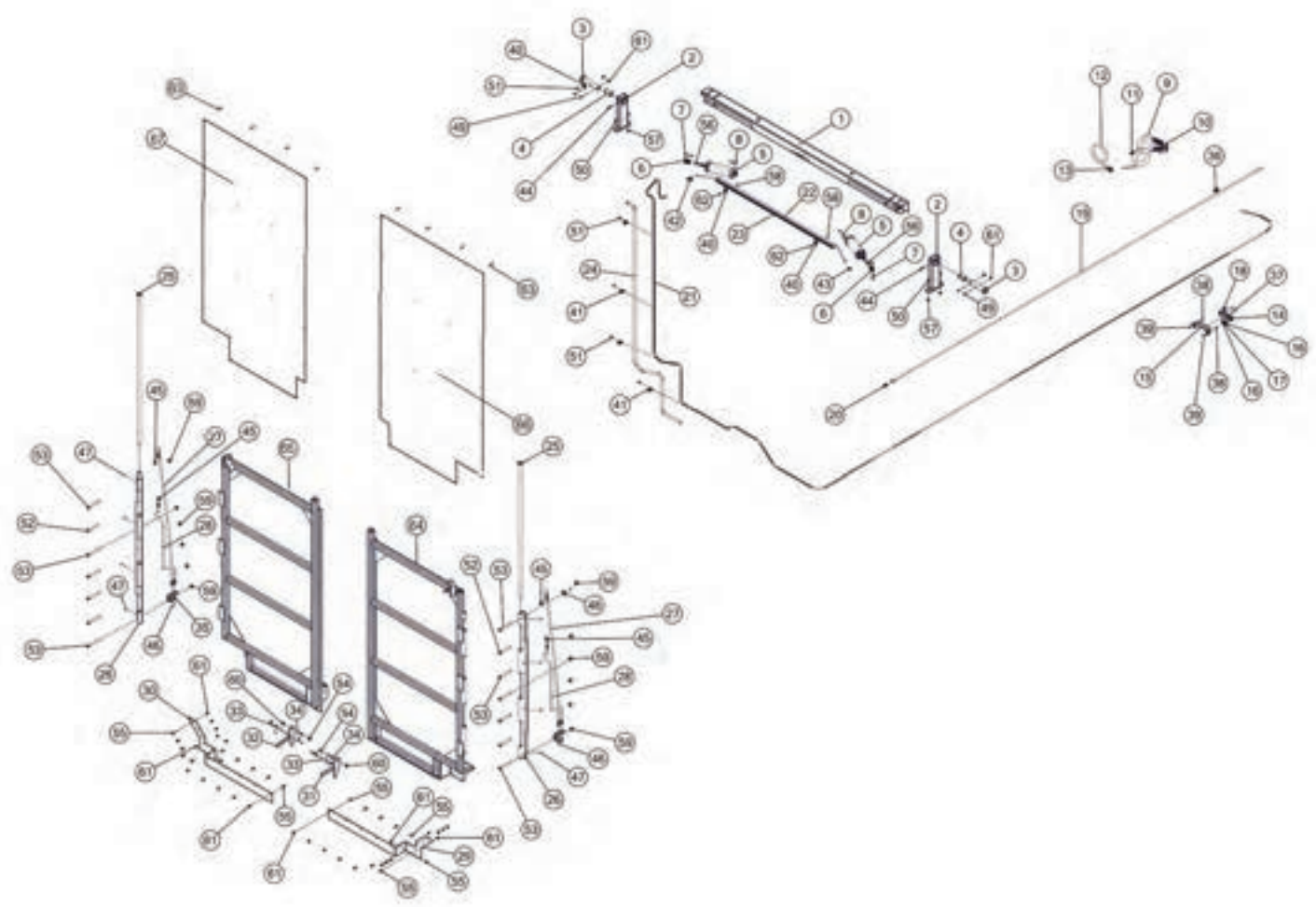




FIGURE 30

OPTIONAL TDORAS REVERSE APRON SYSTEM

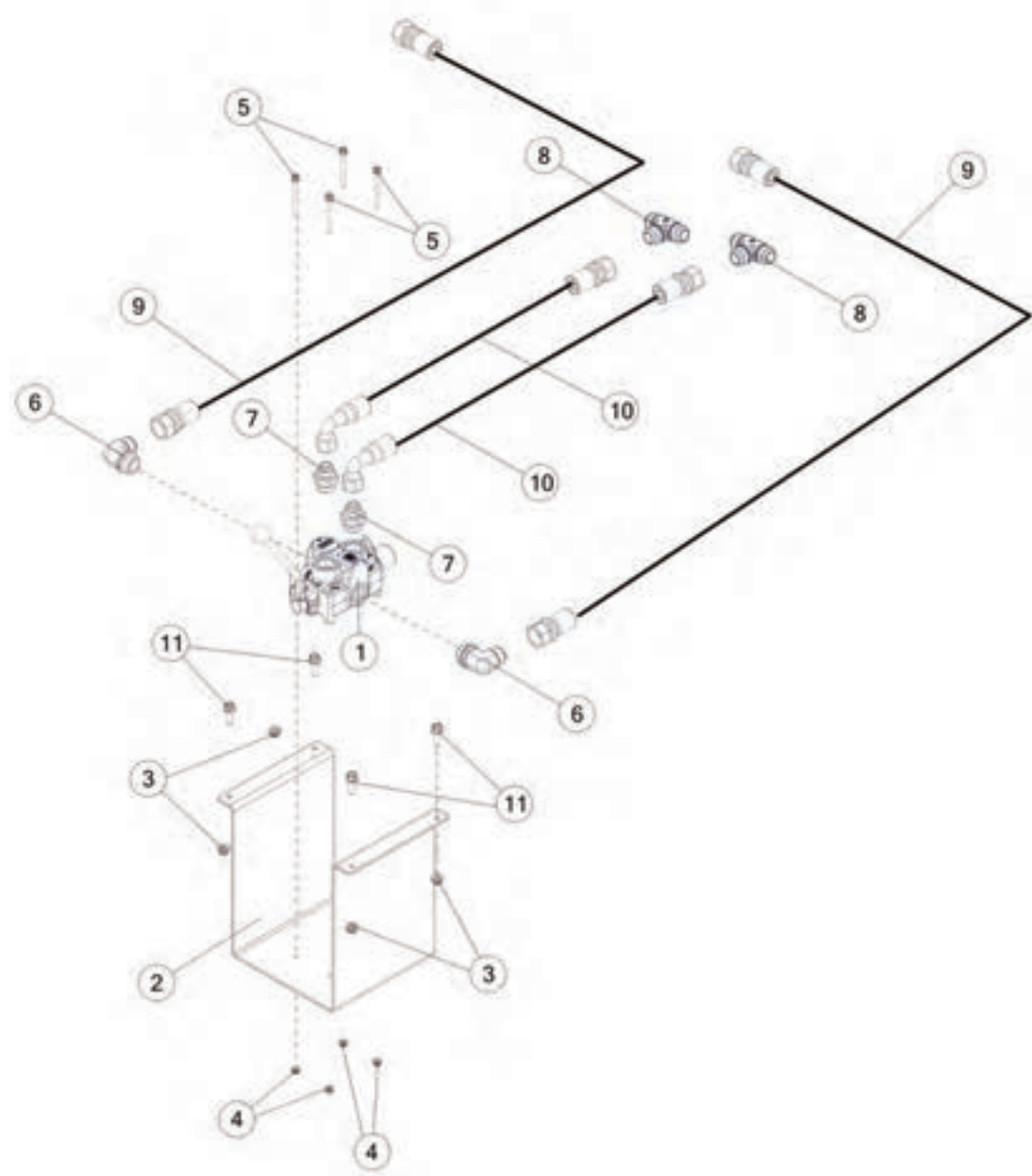




FIGURE 31
OPTIONAL TDOAIR54
AIR RIDE SUSPENSION IN LIEU OF SPRING SUSPENSION

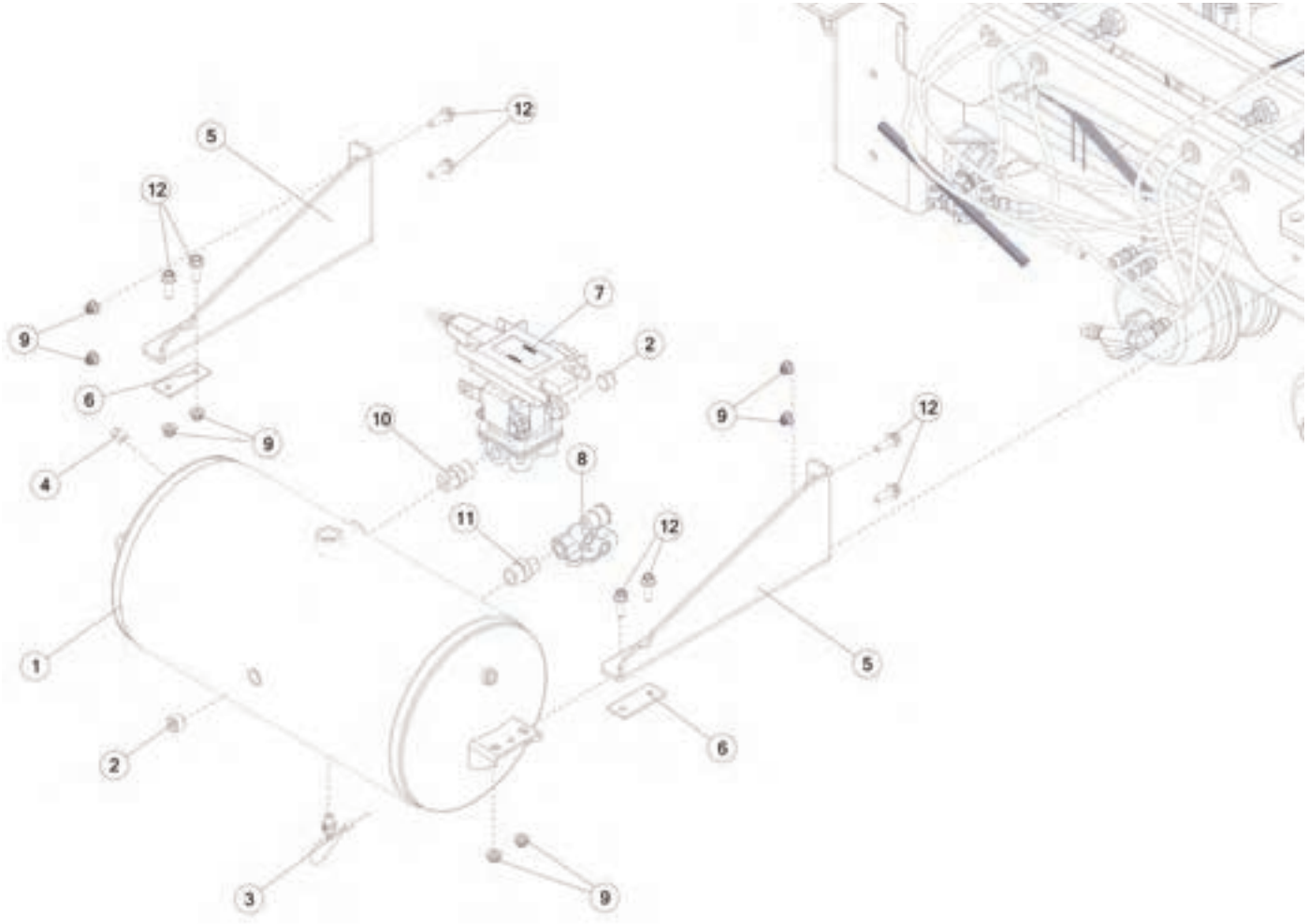




FIGURE 31
OPTIONAL TDOAIR54
AIR RIDE SUSPENSION IN LIEU OF SPRING SUSPENSION

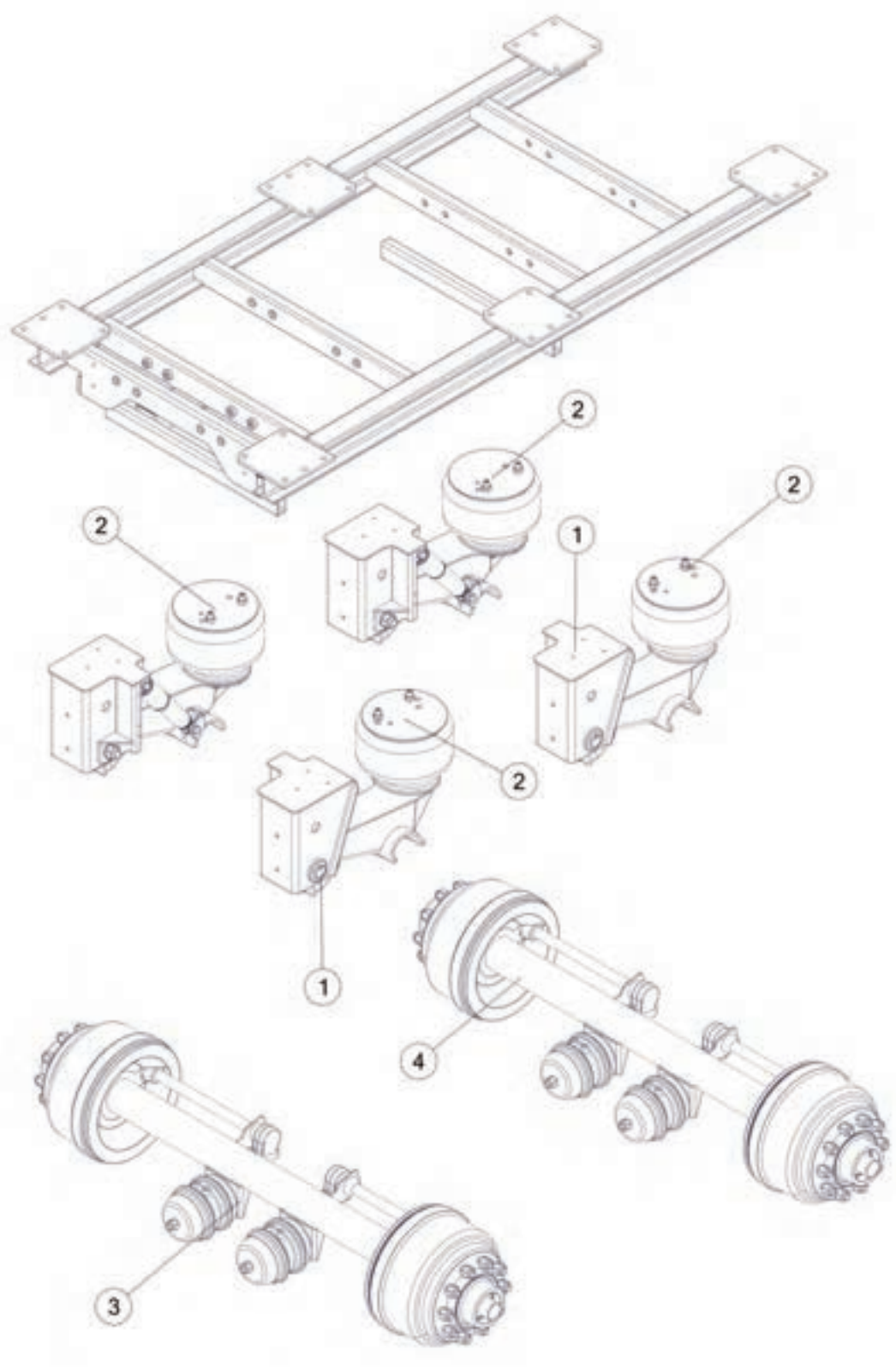




FIGURE 32

OPTIONAL TDOESST36
ELECTRIC DRIVE SIDE-TO-SIDE TARP

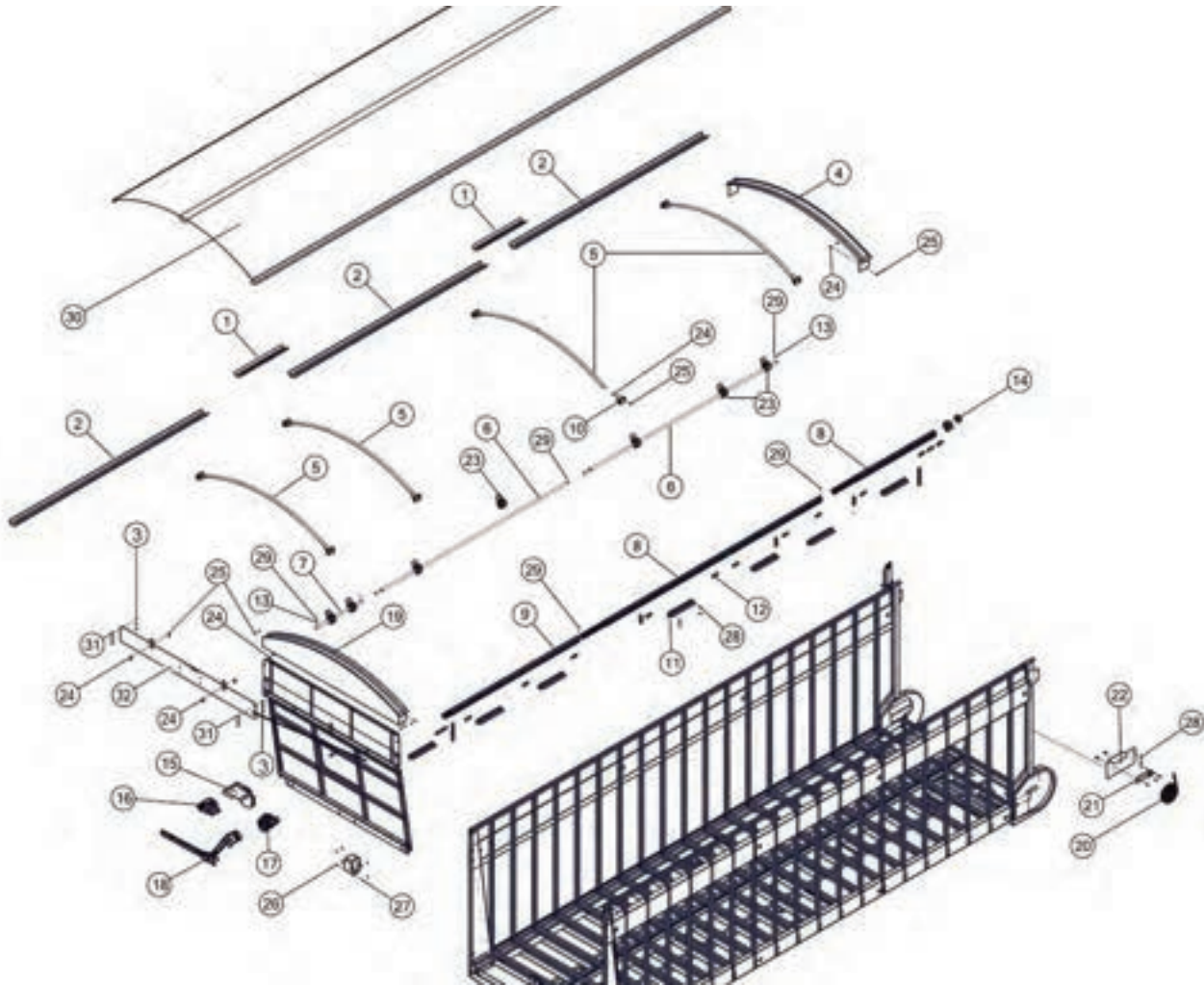




FIGURE 32

OPTIONAL TDOESST36

ELECTRIC DRIVE SIDE-TO-SIDE TARP

REF #	PART #	DESCRIPTION	QTY
1	92882	RIDGE POLE SPLICE	2
2	92818	RIDGE POLE,	3
3	YNFG12006	NUT FLANGE, 3/8 GF	12
4	93117	END CAP ARCH	1
5	93115	BOW	8
6	92823	TARP POLE	3
7	92824	TUBE, 73	1
8	92807	AXLE, 3 MIDDLE	2
9	93684	AXLE, FRONT	1
10	93408	BRACKET, BOW	8
11	92813	LOCKING LIP	7
12	92812	TARP CLIP	13
13	YWFL08005	WASHER, FLAT, 1/4 USS	2
14	92814	CAP	1
15	92829	BRACKET	1
16	92828	PIVOT ASSEMBLY	1
17	92836	TARP MOTOR	1
18	92833	PIVOT ARM ASSEMBLY	1
19	92792	END CAP	1
20	92797	SPOOL, ROLL RITE	1
21	92801	BRACKET, MOUNTING SPOOL	1
22	89901	TARP SPRING BRACKET	1
23	92811	TARP STOP	8
24	YBFB10001	BOLT FLANGE, 5/16 X 1 G5	28
25	YNFG10005	NUT FLANGE, 5/16 GF	28
26	YBFB08100	BOLT FLANGE, 1/4 X 1 G5	4
27	YNFG08010	NUT FLANGE, 1/4 GF	4
28	YSWH10005	SCREW, HEX WASHER HEAD, 5/16-18 X 1-1/4	36
29	GM234	RIVET, 3/16 DIA, .376 - .50 GRIP	20
30	93656	TARP, 36 FT	1
31	YBFB12125	BOLT FLANGE, 3/8 X 1-1/4 G5	10
32	93433	PLATE, TARP MOUNT	1
*	92827	POWER ARM	1



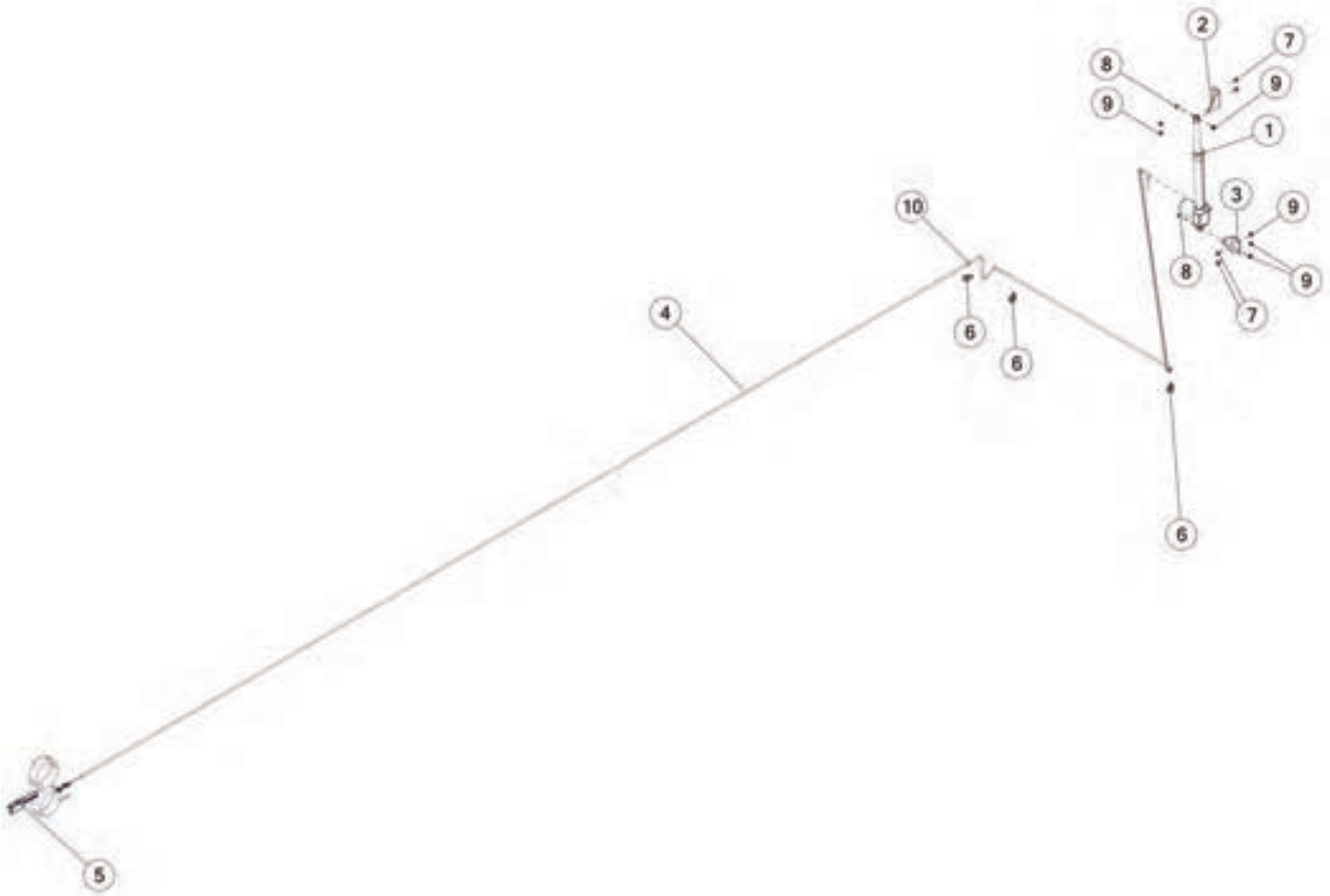




FIGURE 34

OPTIONAL TDOSF36
SCREEN FILLER KIT-36FT TD-DEALER INSTALL

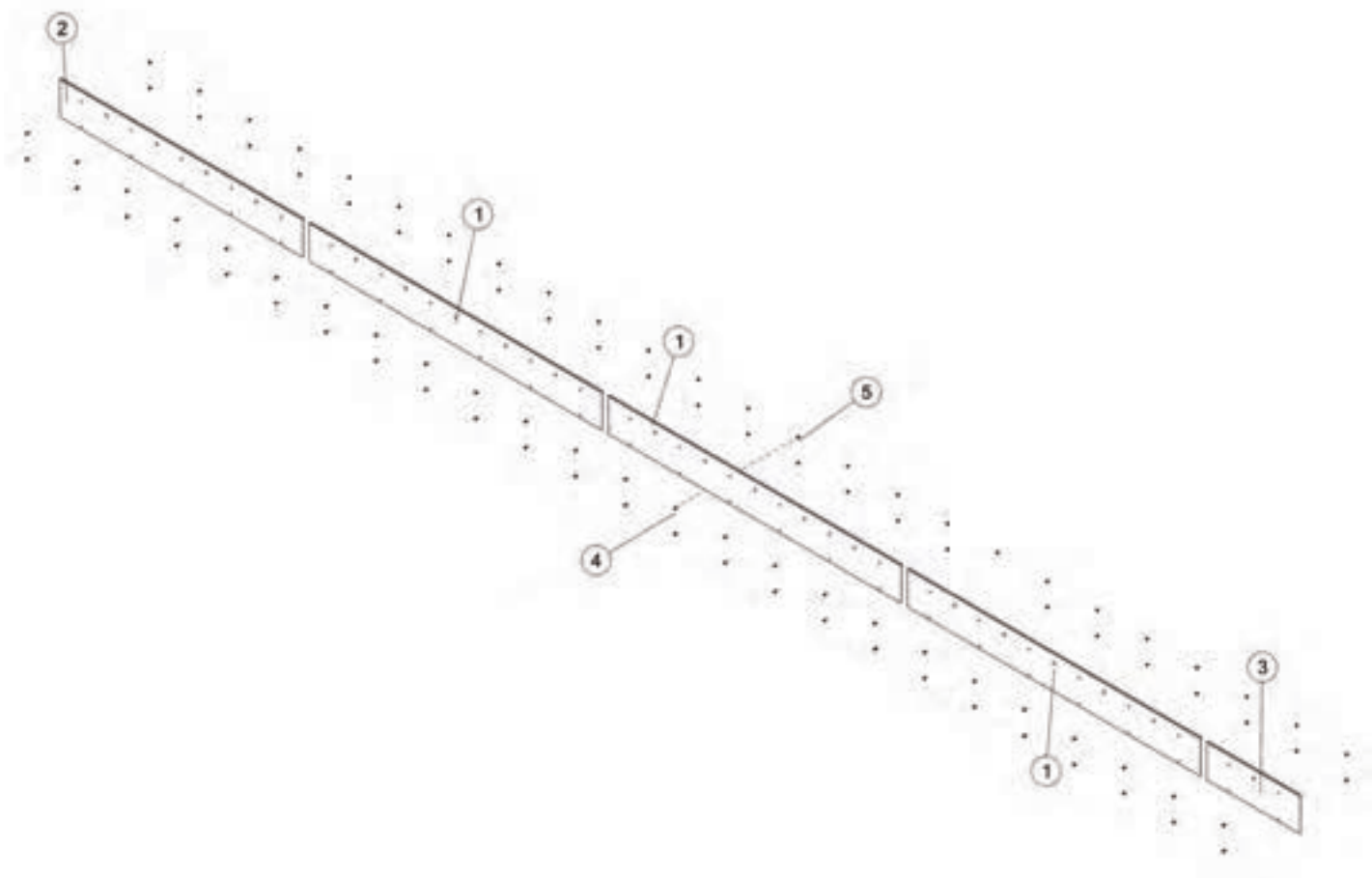
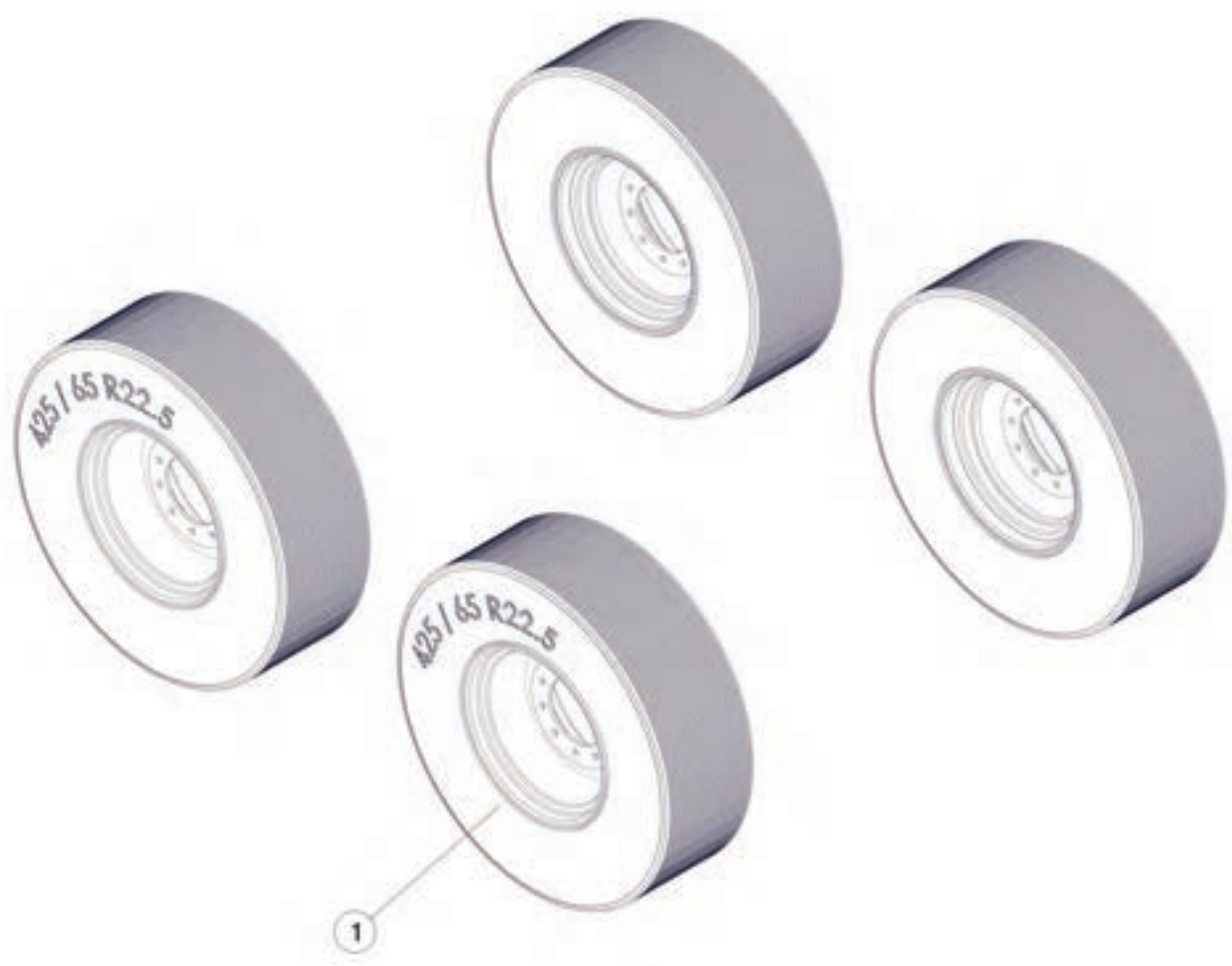
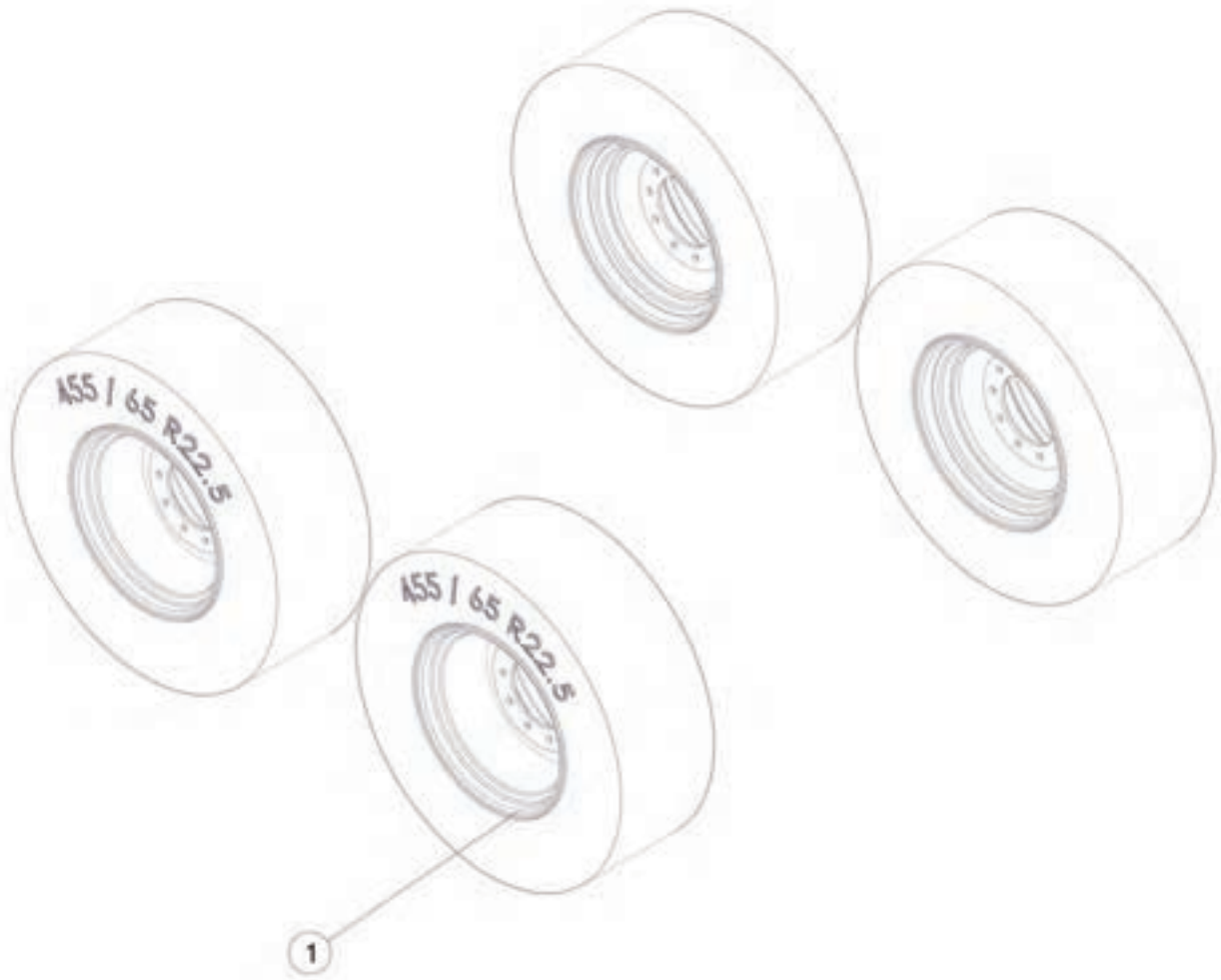




FIGURE 35

OPTIONAL TIRES
TWP425AW / TWP425SW





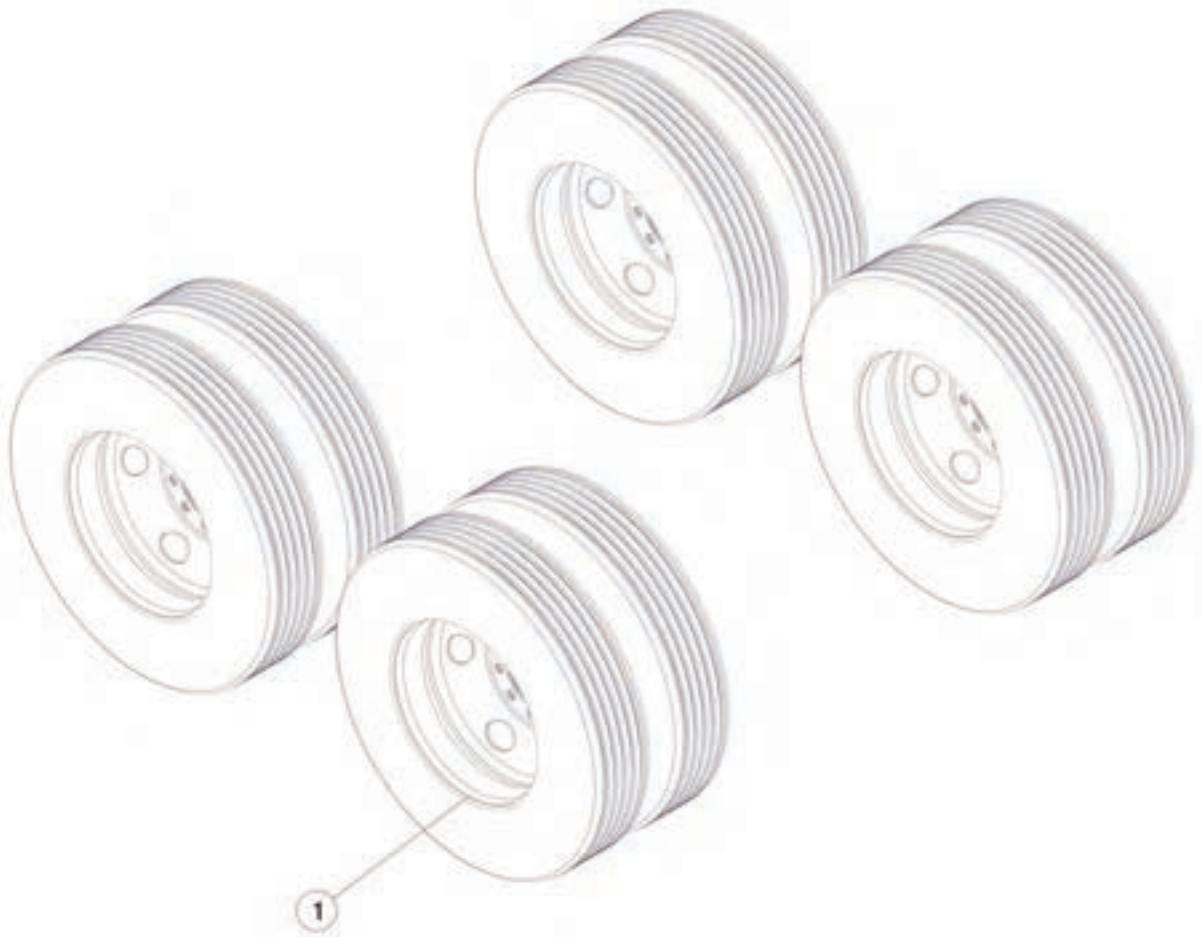




FIGURE 38
OPTIONAL TIRES
TWP825AW/SW

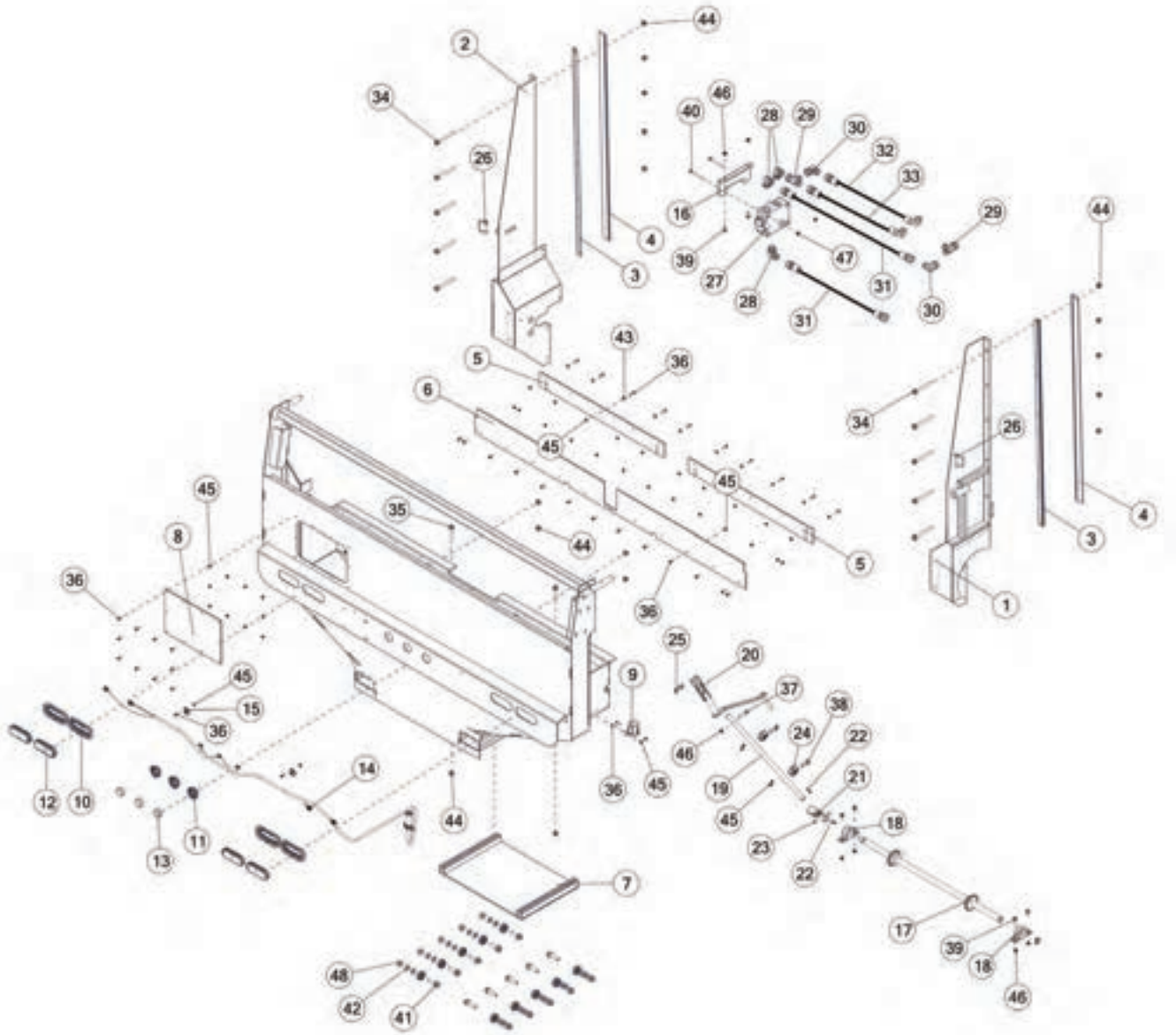




FIGURE 39

OPTIONAL TDOGHK

GRAIN HOPPER KIT WHYD FLOW CONTROL



REF #	PART #	DESCRIPTION	QTY
1	95363	GRAIN HOPPER PANNEL, BOX, RH	1
2	95602	GRAIN HOPPER PANNEL, BOX, LH	1
3	97757	BRUSH HOLDER	2
4	0226MS04	2.00 IN BRUSH LONG	2
5	92159	HOPPER SEAL	2
6	97409	UPPER HOPPER SEAL	1
7	95479	DOOR, GRAIN HOPPER	1
8	GH7	HOPPER WINDOW	1
9	CHM38	PLUG STORAGE	1
10	S308	OVAL LIGHT GROMMET	4
11	BBS91	ROUND LIGHT GROMMET	3



FIGURE 39

OPTIONAL TDOGHK

GRAIN HOPPER KIT W/HYD FLOW CONTROL

REF #	PART #	DESCRIPTION	QTY
12	78671	RED LED LIGHT, OVAL	4
13	BBS92	MARKER LIGHT, RED ROUND	3
14	97785	HARNESS, GRAIN KIT	1
15	HGV162	RUBBER WIRE HOLDER, 1/2	2
16	02266G02	FLOW CONTROL MOUNT	1
17	97789	SHAFT, GRAIN HOPPER DOOR	1
18	12N36	BRG, PILLOW BLOCK 1.25in	2
19	97429	SHAFT	1
20	95452	CRANK, GRAIN HOPPER	1
21	96614	U-JOINT	1
22	S135	SQUARE KEY, 1/4 X 1-1/4	2
23	YSKP12025	SET SCREW, SOCKET, KNURL CUP PT, 3/8-16 X 3/8	2
24	CHM286	UBE CLAMP CUSHIONS, 1	2
25	DWM324	LYNCH PIN	1
26	DWM191	SNAPPER PIN	2
27	BBS51	FLOW CONTROL	1
28	BBS52	FITTING, 90, 16JIC X 16ORB	3
29	CHM182	FITTING, TEE, 16JIC X 16JIC X 16JIC	2
30	8021	FITTING 90, 16 JIC, 16JIC	2
31	BBSTMS24	HYD HOSE, 12 X 65 IN	2
32	78661	HYD HOSE, 12 X 96.5 IN	1
33	BBSTMS26	HYD HOSE, 12 X 26 IN	1
34	YBFB16550	BOLT FLG, 1/2 X 5-1/2 G5	10
35	YBFB16400	BOLT FLG, 1/2 X 4 G5	2
36	YBFB08100	BOLT FLG, 1/4 X 1 G5	37
37	YBFB12225	BOLT FLG, 3/8 X 2-1/4 G5	1
38	YBFB08200	BOLT FLG, 1/4 X 2 G5	4
39	YBFB12003	BOLT FLG, 3/8 X 1 G5	6
40	YBFB10400	BOLT FLG, 5/16 X 4 G8	2
41	YBFB20250	BOLT FLG, 5/8 X 2-1/2 G5	10
42	YWFL20010	WASHER, FLAT, 5/8 SAE GR 8 YELLOW ZINC	20
43	YWFL08005	WASHER, FLAT, 1/4 USS	10
44	YNFG16003	NUT FLG, 1/2 GF	16
45	YNFG08010	NUT FLG, 1/4 GF	41
46	YNFG12006	NUT FLG, 3/8 GF	7
47	YNFG10005	NUT FLG, 5/16 GF	2
48	YNFG20005	NUT, FLG, 5/8-11, LKTL, F, ZC	20







Manufactured By:
H&S MANUFACTURING CO., INC.
2608 S. HUME AVE. MARSHFIELD, WI 54449
(715) 387-3414 | hsmfgco.com

