



PARTS BOOK

TD1240

TOP DOG FORAGE BOX

Part #93503

Rev. #04

HSMFG011024

Starting Ser. #NEED UNIT 20

FIGURE #	CONTENTS	PAGE #
*	INSTRUCTIONS FOR ORDERING PARTS	1
1	RH SIDE PANELS	2-3
2	RH SIDE EXTENSION PANELS	4-5
3	LH SIDE PANELS	6-7
4	LH SIDE EXTENSION PANELS	8-9
5	FRONT PANEL W/WINDOW	10-11
6	FRONT PANEL AND COMPONENTS	12-13
7	FLOOR HOLD DOWNS AND COMPONENTS	14-15
8	IDLER SHAFT AND COMPONENTS	16-17
9	DRIVE SHAFT AND COMPONENTS	18-19
10	FLOOR CHAIN	20-21
11	GEARBOX AND COMPONENTS	22-23
12	GEARBOX	24-25
13	FRONT SHIELDS AND COMPONENTS	26-27
14	GLADHANDS AND COMPONENTS	28-29
15	AIR LINES AND COMPONENTS	30-31
16	HYDRAULICS	32-33
17	LANDING GEAR AND COMPONENTS	34-35
18	BUMPER AND COMPONENTS	36-37
19	AIR TANK AND COMPONENTS	38-39
20	SPRING SUSPENSION	40-41
21	AXLE SPRINGS AND COMPONENTS	42-43
22	CAMSHAFT AND COMPONENTS	44-45
23	BRAKES AND COMPONENTS	46-47
24	HUB AND COMPONENTS	48-49
25	ELECTRIC HARNESS AND LIGHTS	50-51
26	TOP PIVOT REAR DOOR W/HYD GATE DELAY OPTION (BDOTPD)	52-53
27	SEAL KIT FOR TOP PIVOT DOOR OPTION (FBOTPD SK)	54-55
28	ROOF HOOD OPTION (TDO40RH)	56-57
29	SWINGING BARN DOORS W/AIR CLOSURE	58-61
	TRUCK MOUNT OPTION (TDOSBD)	
30	REVERSE APRON SYSTEM OPTION (TDORAS)	62-63
31	AIR RIDE SUSPENSION IN LIEU OF SPRING SUSPENSION OPTION (TDOAIR54)	64-69
32	ELEC DRIVE SIDE-TO-SIDE TARP OPTION (TDOESST40)	70-71
33	ELEC ACTUATOR CONTROL FLIP DOWN FRONT OPTION (TDOEAC)	72-73
34	SCREEN FILLER KIT OPTION (TDOSF40)	74-75



TABLE OF CONTENTS

FIGURE #	CONTENTS	PAGE #
35	TIRE OPTION TWP425AW / TWP425SW	76-77
36	TIRE OPTION TWP455AW / TWP455SW	78-79
37	TIRE OPTION TWP825AW / TWP825SW	80-81
38	TIRE OPTION TWP825AW/SW	82-83
39	OPTIONAL GRAIN HOPPER KIT W/HYD FLOW CONTROL (TDOGHK)	84-85
*	PARTS NOTES	86



INSTRUCTIONS FOR ORDERING PARTS

All service parts should be ordered through your authorized H&S dealer. Your Dealership will be able to give you faster service if you will provide them with the following:

1. All references to left or right apply to the machine as viewed from the rear.
2. Parts should not be ordered from illustration only. Please order complete part number.
3. If your dealer has to order parts - give shipping instructions:

VIA truck - large pieces (please specify local truck lines)

VIA United Parcel Service (include full address)

H&S MFG. CO. INC.	
MARSHFIELD, WIS.	
MOD. NO.	<input type="text"/>
SER. NO.	<input type="text"/>
DESCR.	<input type="text"/>

PLEASE RECORD NUMBERS FOR YOUR UNIT FOR QUICK REFERENCE

H&S IS CONTINUALLY STRIVING TO IMPROVE ITS PRODUCTS

We must, therefore, reserve the right to make improvements or changes whenever it becomes practical to do so, without incurring any obligation to make changes or additions to the equipment previously sold.





FIGURE 1
RH SIDE PANELS

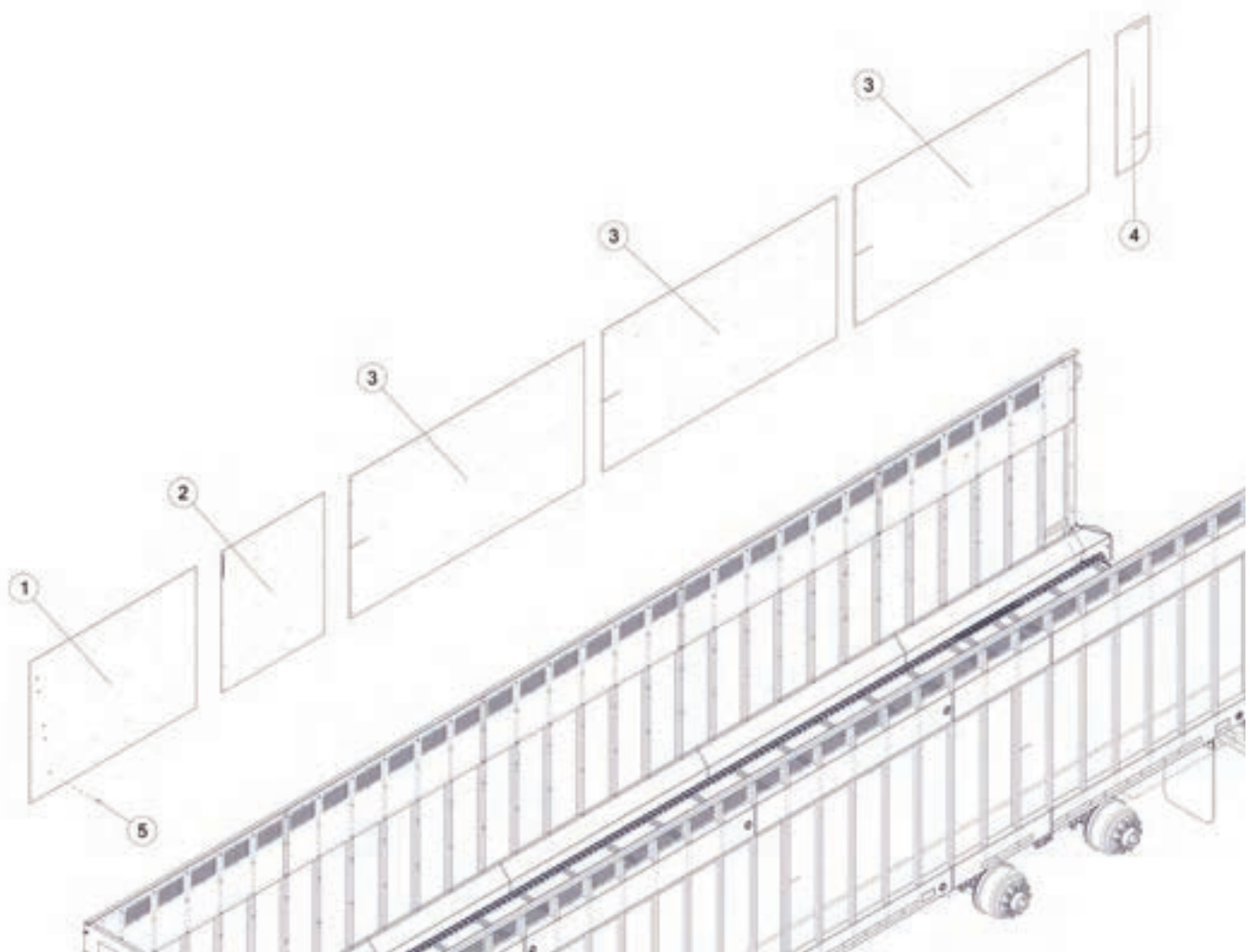




FIGURE 2
RH SIDE EXTENSION PANELS





FIGURE 2

RH SIDE EXTENSION PANELS

REF #	PART #	DESCRIPTION	QTY
1	94379	SIDE EXTENSION, FRONT	1
2	94376	SIDE EXTENSION, CENTER	3
3	94378	SIDE EXTENSION, REAR	1
4	YSDR08005	SCRW SELF DRILLING, HEX WASHER HEAD, 1/4 X 1	87
*	1403	RIVET	6





FIGURE 3
LH SIDE PANELS

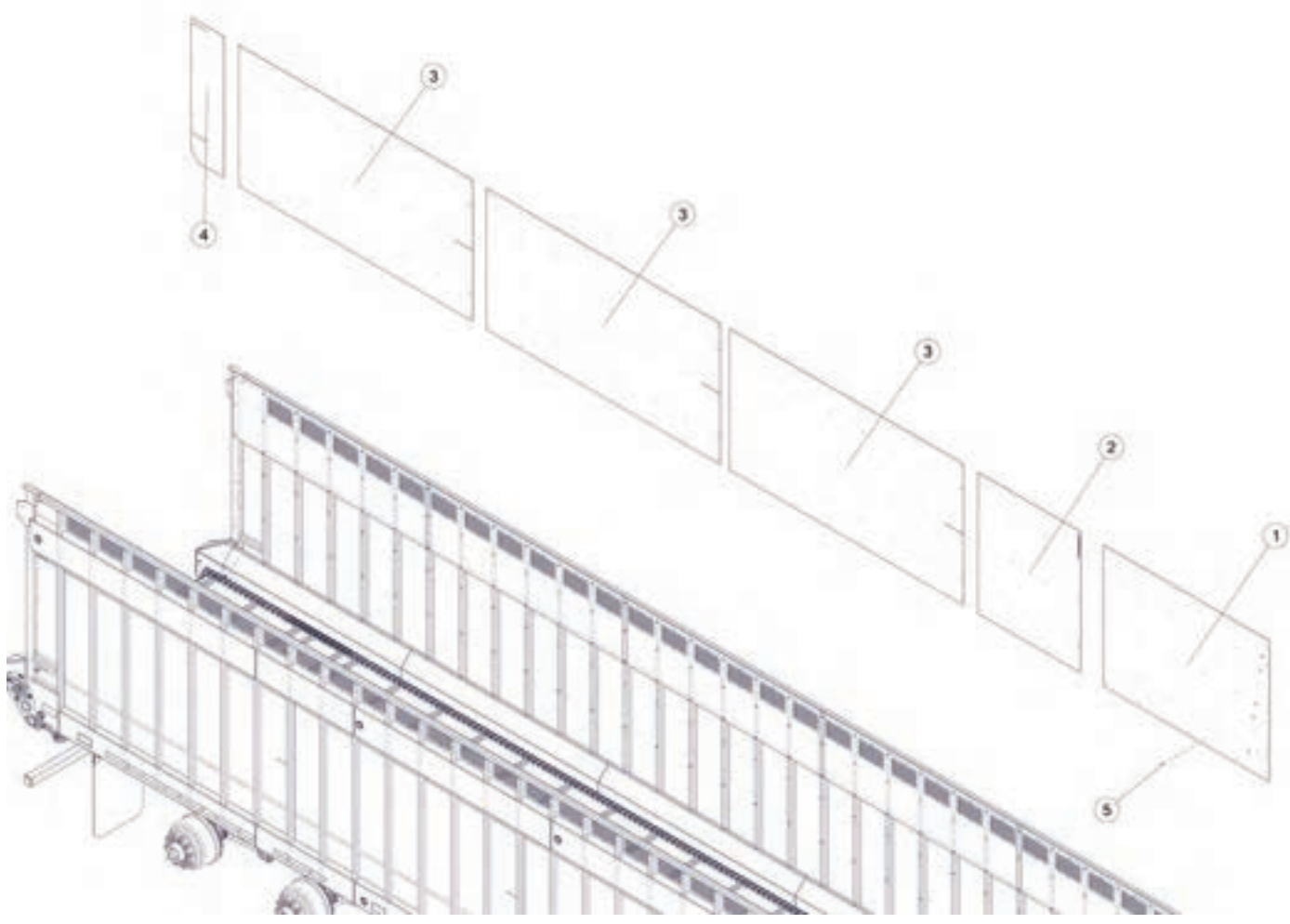




FIGURE 4
LH SIDE EXTENSION PANELS

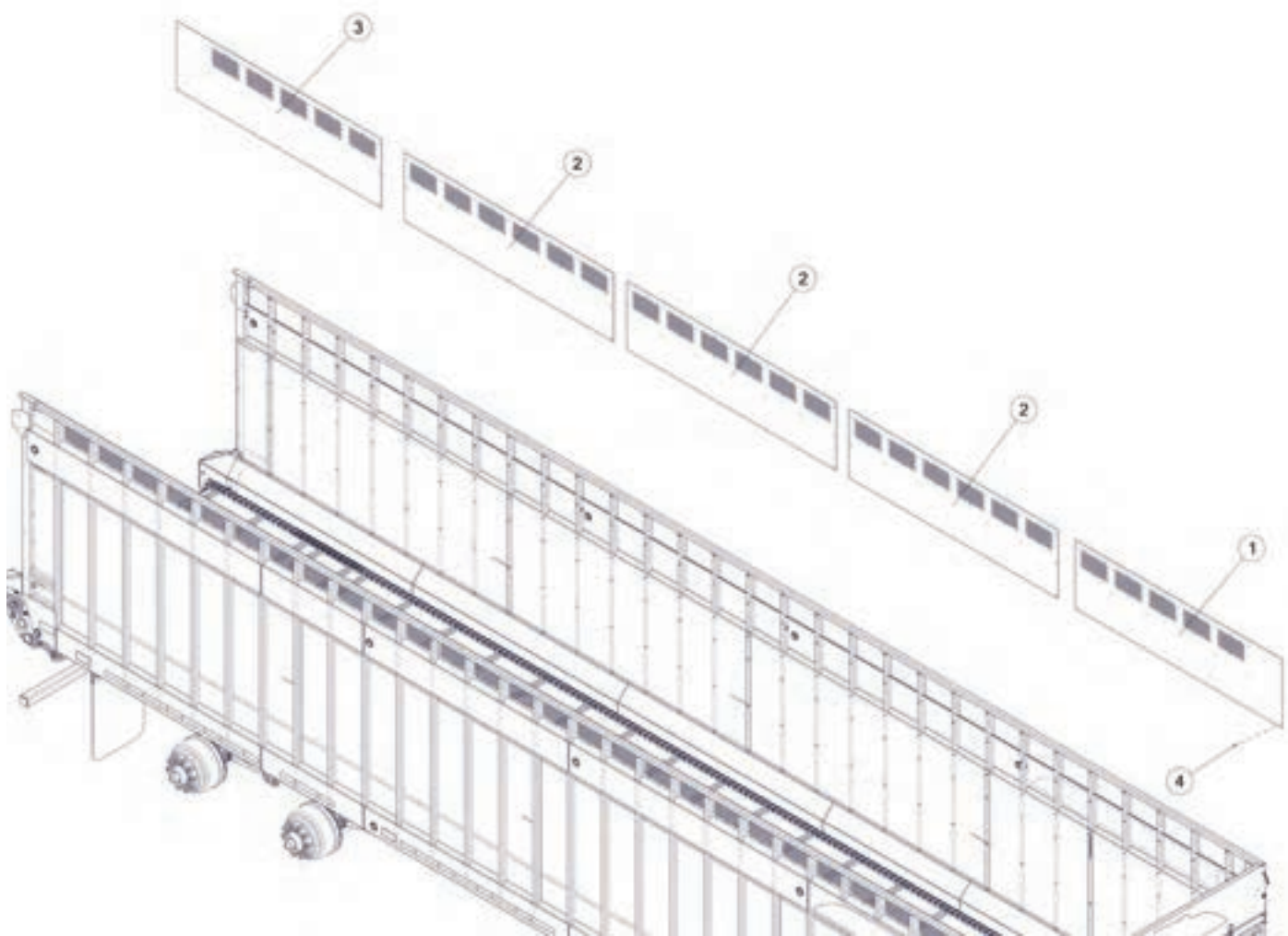




FIGURE 4

LH SIDE EXTENSION PANELS

REF #	PART #	DESCRIPTION	QTY
1	94379	SIDE EXTENSION, FRONT	1
2	94376	SIDE EXTENSION, CENTER	3
3	94378	SIDE EXTENSION, REAR	1
4	YSDR08005	SCRW SELF DRILLING, HEX WASHER HEAD, 1/4 X 1	87
*	1403	RIVET	6





FIGURE 5
FRONT PANEL W/WINDOW

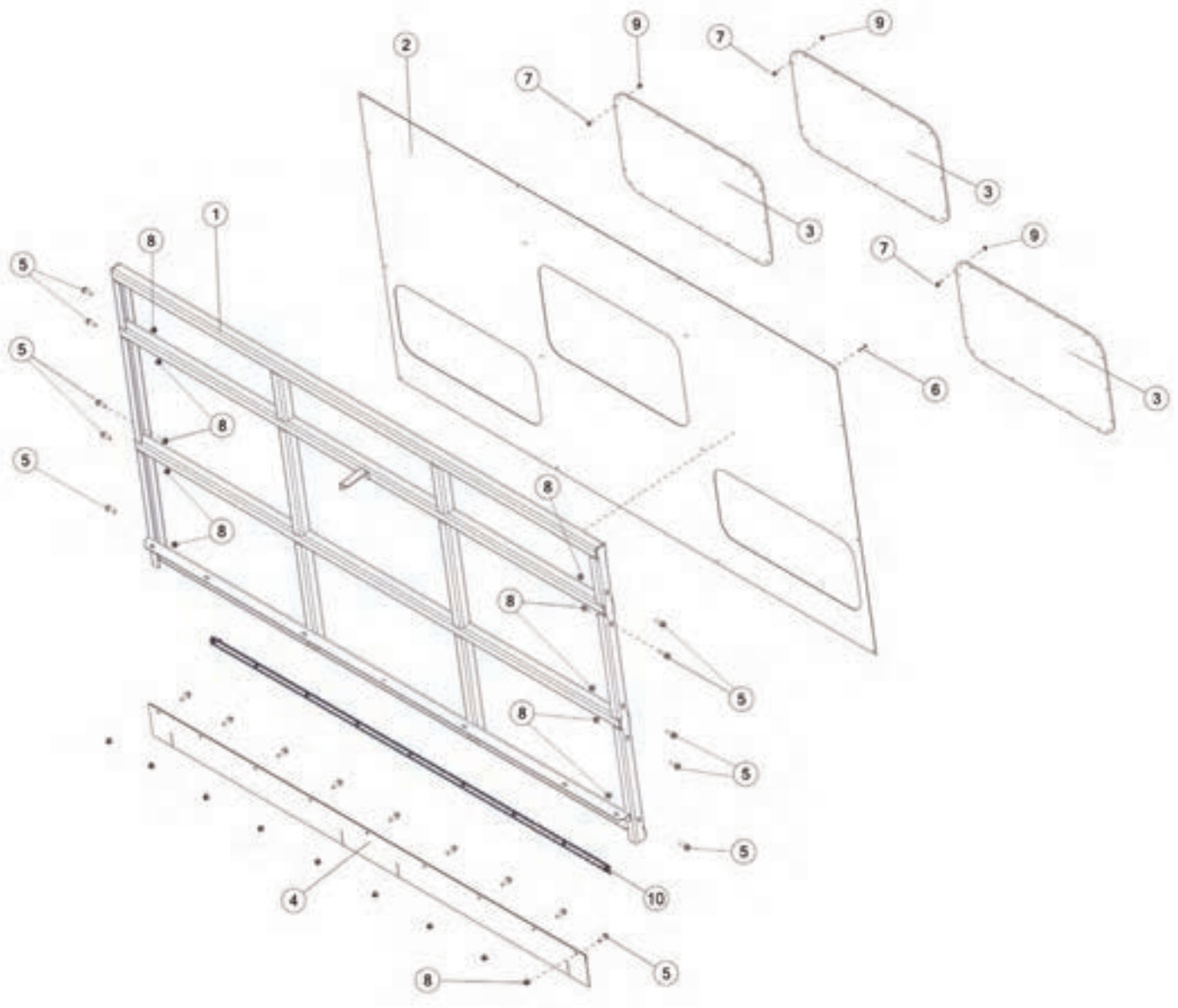




FIGURE 5 FRONT PANEL W/WINDOW

REF #	PART #	DESCRIPTION	QTY
1	94474	FRAME, FRONT WALL	1
2	94546	FRONT PANEL	1
3	55839	WINDOW W/HOLES	3
4	94473	FRONT SEAL RUBBER	1
5	YBFB12125	BOLT FLANGE, 3/8 X 1-1/4 G5	9
6	YSDR08005	SCRW SELF DRILLING, HEX WASHER HEAD, 1/4 X 1	16
7	YBFB08075	BOLT FLANGE, 1/4 X 3/4 G5	60
8	YNFG12006	NUT FLANGE, 3/8 GF	9
9	YNFG08010	NUT FLANGE, 1/4 GF	60
10	94633	RUBBER STRAP, FRONT	1





FIGURE 6

FRONT PANEL AND COMPONENTS

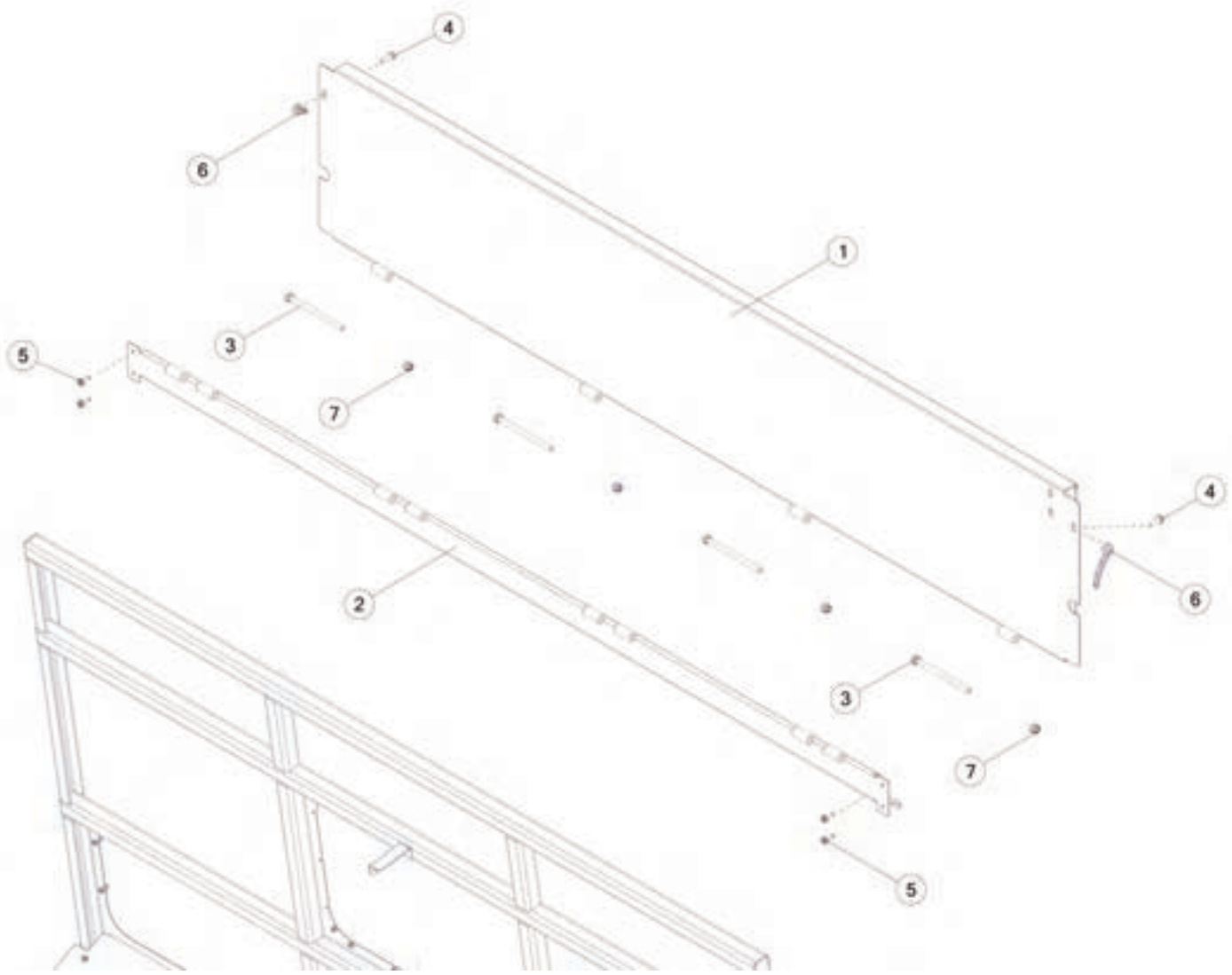




FIGURE 6
FRONT PANEL AND COMPONENTS

REF #	PART #	DESCRIPTION	QTY
1	HS101224	UPPER PANEL	1
2	HS101192	FRONT PANEL UPPER	1
3	YBHH16180	BOLT HEX, 1/2 X 7 G5	4
4	YBFB12125	BOLT FLANGE, 3/8 X 1-1/4 G5	2
5	YSHW10005	THREAD CUTTING SCREW, 5/16 X 1	4
6	S192	HANDLE NUT	2
7	YNNY16005	NUT HEX, NYLON LOCKNUT, 1/2	4





FIGURE 7 FLOOR HOLD DOWNS AND COMPONENTS

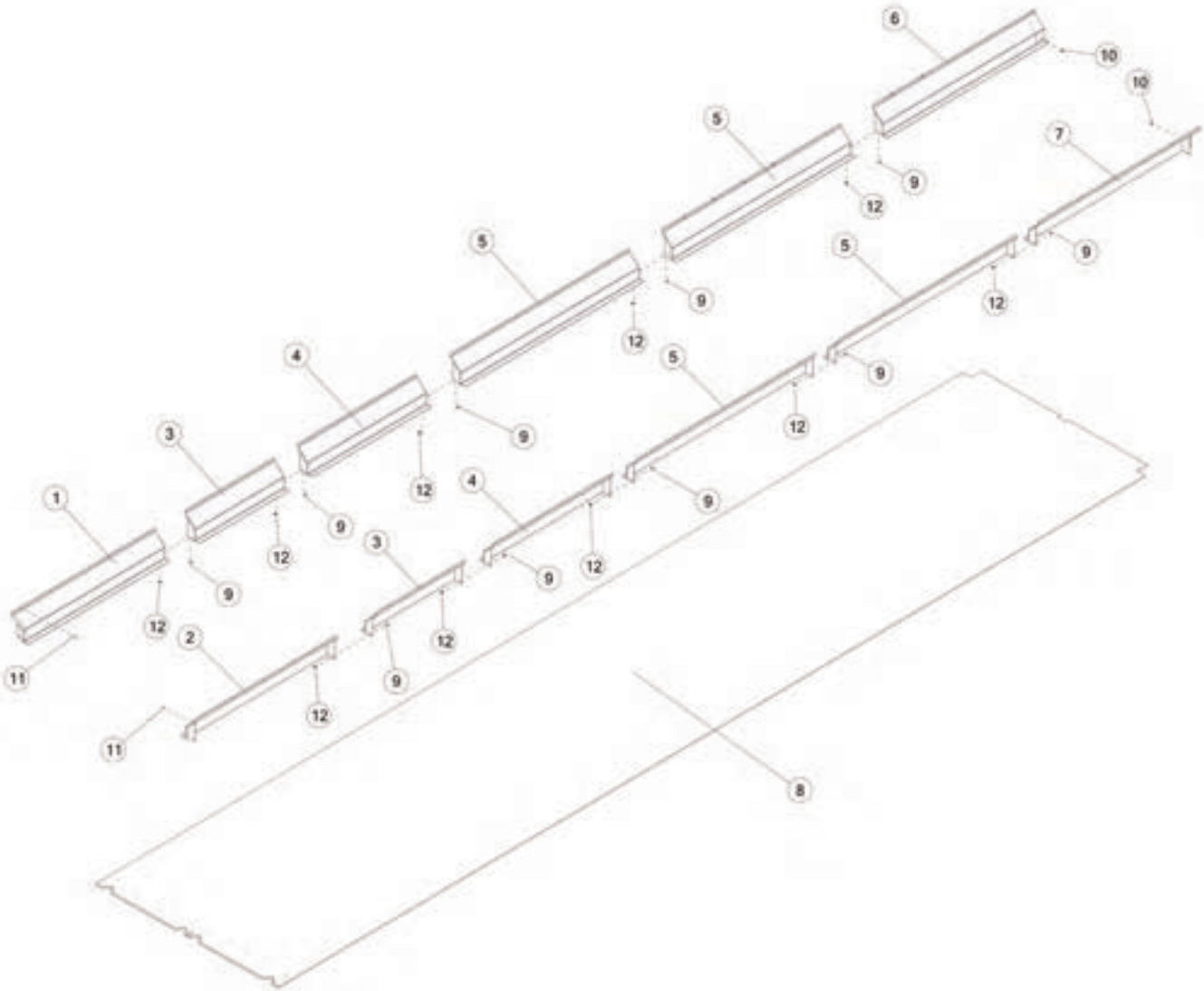


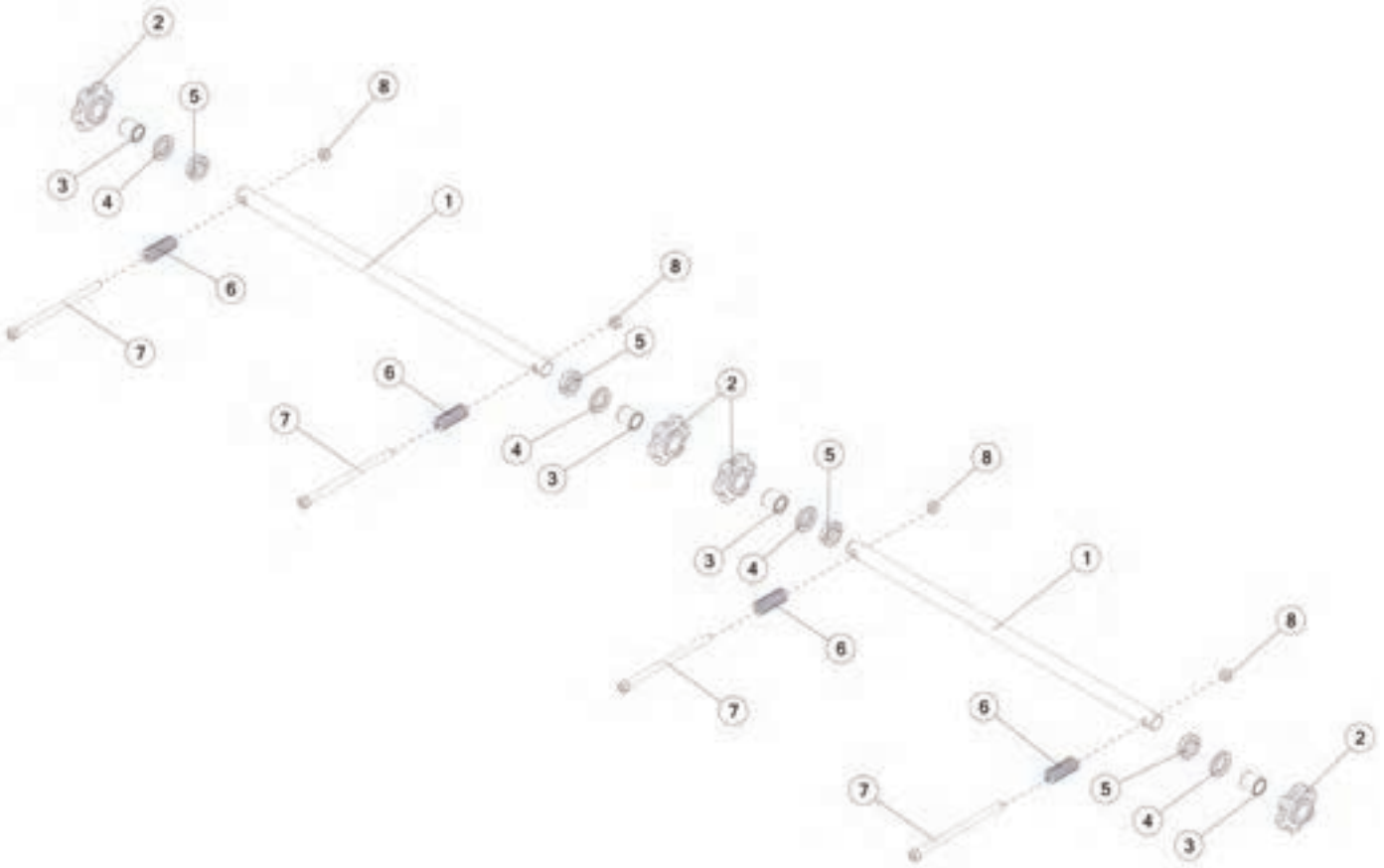


FIGURE 7

FLOOR HOLD DOWNS AND COMPONENTS

REF #	PART #	DESCRIPTION	QTY
1	88093	FRONT HOLD DOWN, LH	1
2	88095	FRONT HOLD DOWN, RH	1
3	94438	PANEL SLANT, CENTER SHORT	2
4	94553	PANEL SLANT, CENTER SHORT	2
5	88085	PANEL SLANT, CENTER	4
6	88090	SLANT PANEL, REAR RH	1
7	88089	SLANT PANEL, REAR LH	1
8	94692	POLY FLOOR	1
9	YBFB12075	BOLT FLANGE, 3/8 X 3/4 G5	10
10	YSHW10034	SCREW, THREAD CUTTING, 5/16 X 3/4	2
11	YS DR08005	SCRW SELF DRILLING, HEX WASHER HEAD, 1/4 X 1	58
12	YNFG12006	NUT FLANGE, 3/8 GF	10





REF #	PART #	DESCRIPTION	QTY
1	BBS29	IDLER SHAFT, FRONT	2
2	BBSTSH07	IDLER SPROCKET, 88, C, 6	4
3	RGT3	BRONZE BUSHING, 2 X 1.77 X 2	4
4	BBSTPL05	IDLER SPROCKET POLY SPACER	4
5	8340	STEEL SPLIT SHAFT COLLAR	4
6	BBS35	COMPRESSION SPRING	4
7	BBS34	TIGHTENER ROD	4
8	YNHX24004	NUT HEX, 3/4-10 NA G5 ZC	4





FIGURE 9
DRIVE SHAFT AND COMPONENTS

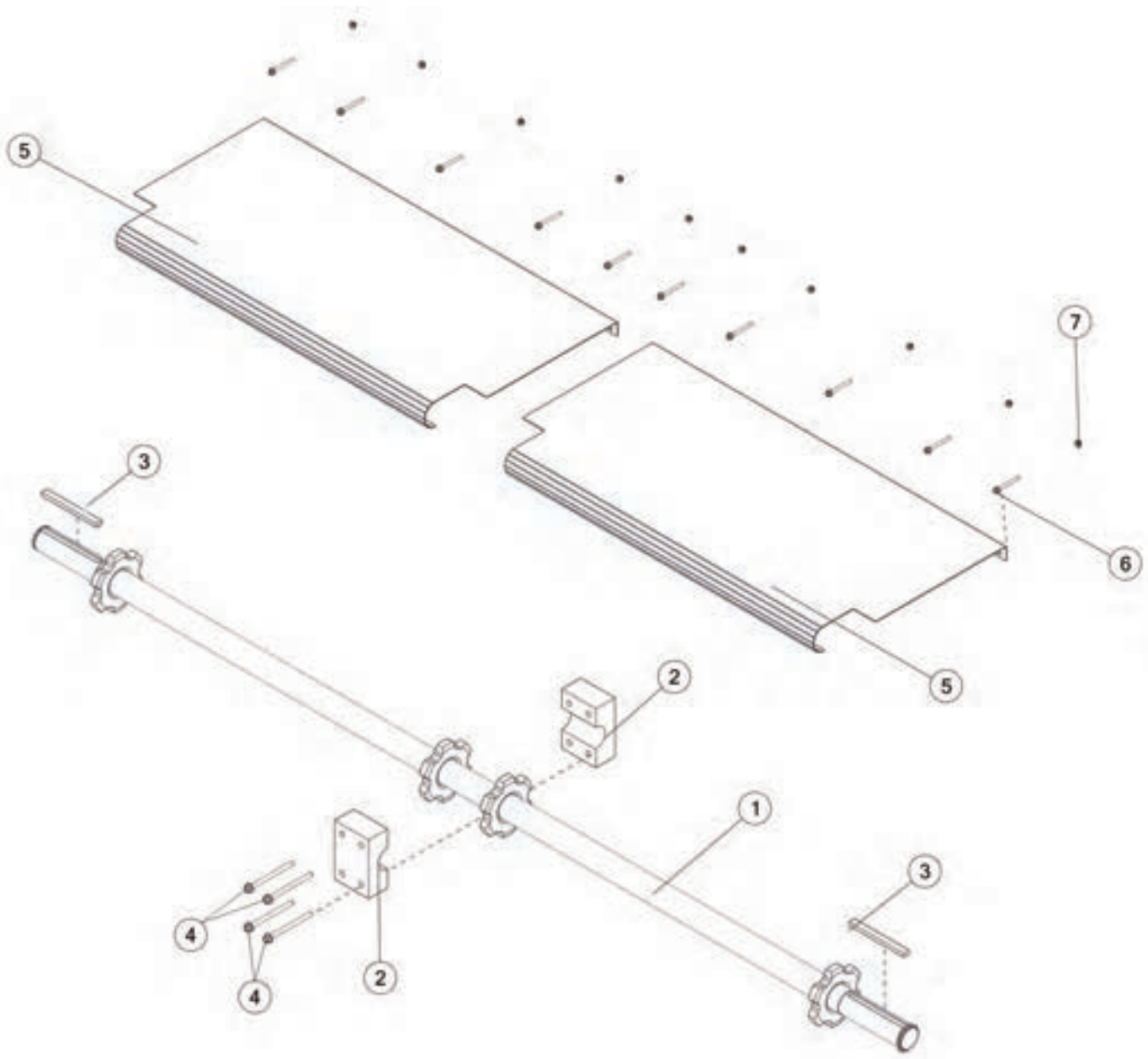




FIGURE 9

DRIVE SHAFT AND COMPONENTS

REF #	PART #	DESCRIPTION	QTY
1	94394	DRIVE SHAFT	1
2	BBS62	CENTER DRIVE SHAFT BEARING	2
3	94395	RECTANGLE KEY, 16MM X 10MM	2
4	YBFB16500	BOLT FLANGE, 1/2 X 5 G5	4
5	93726	DRIVE SHAFT COVER	2
6	YBFB08250	BOLT FLANGE, 1/4 X 2-1/2 G5	10
7	YNFG08010	NUT FLANGE, 1/4 GF	10





FIGURE 10
FLOOR CHAIN

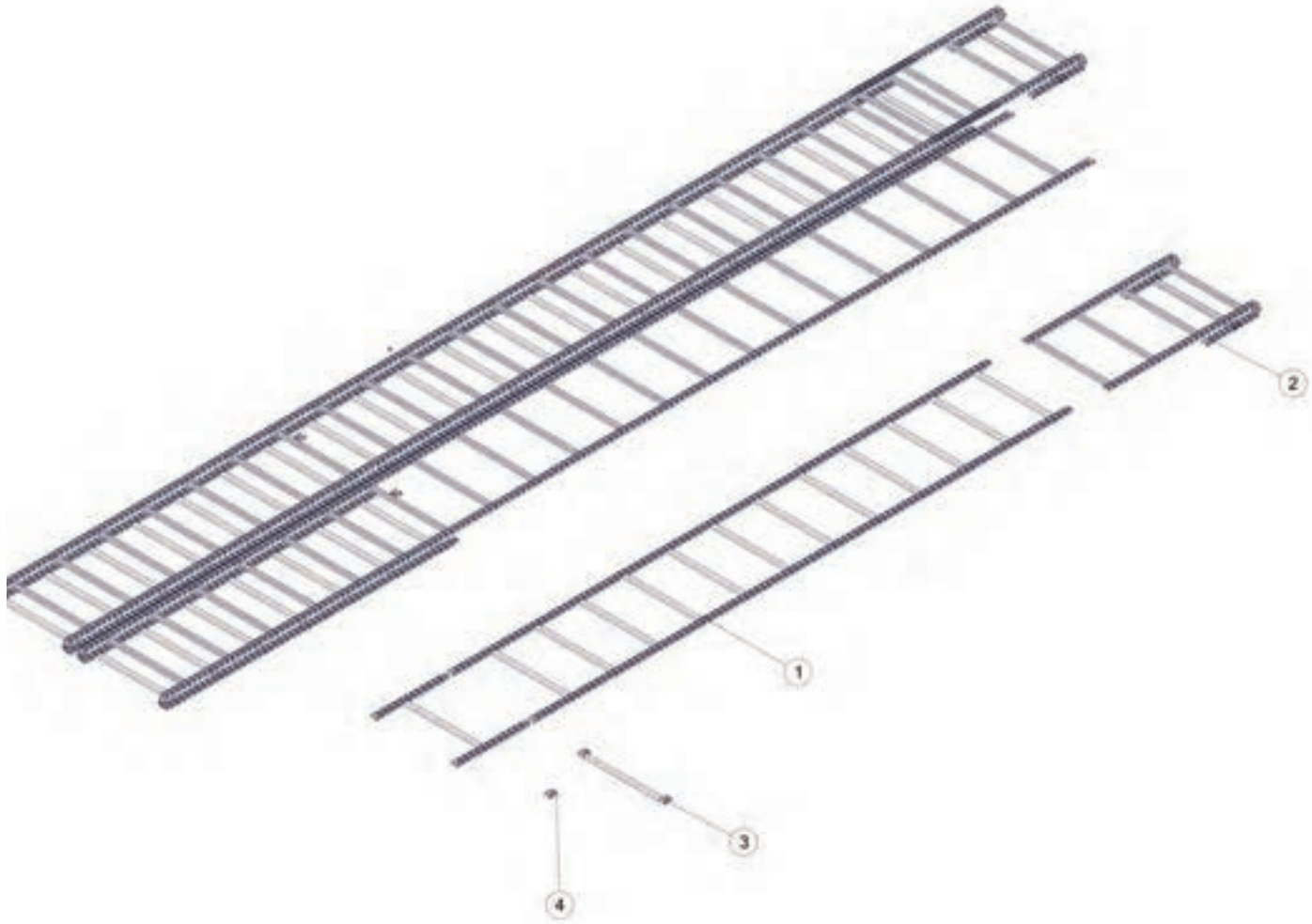
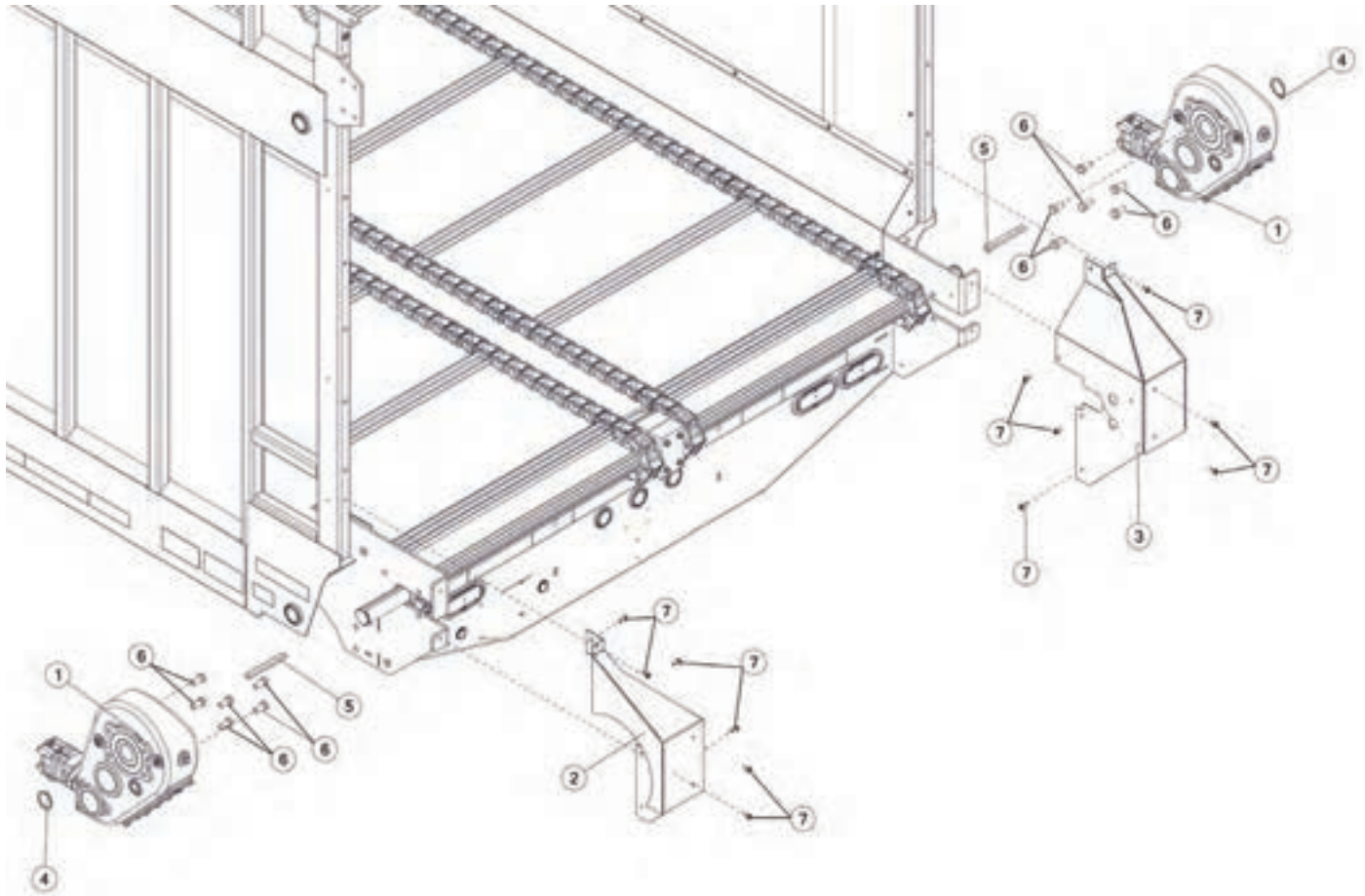




FIGURE 11

GEARBOX AND COMPONENTS



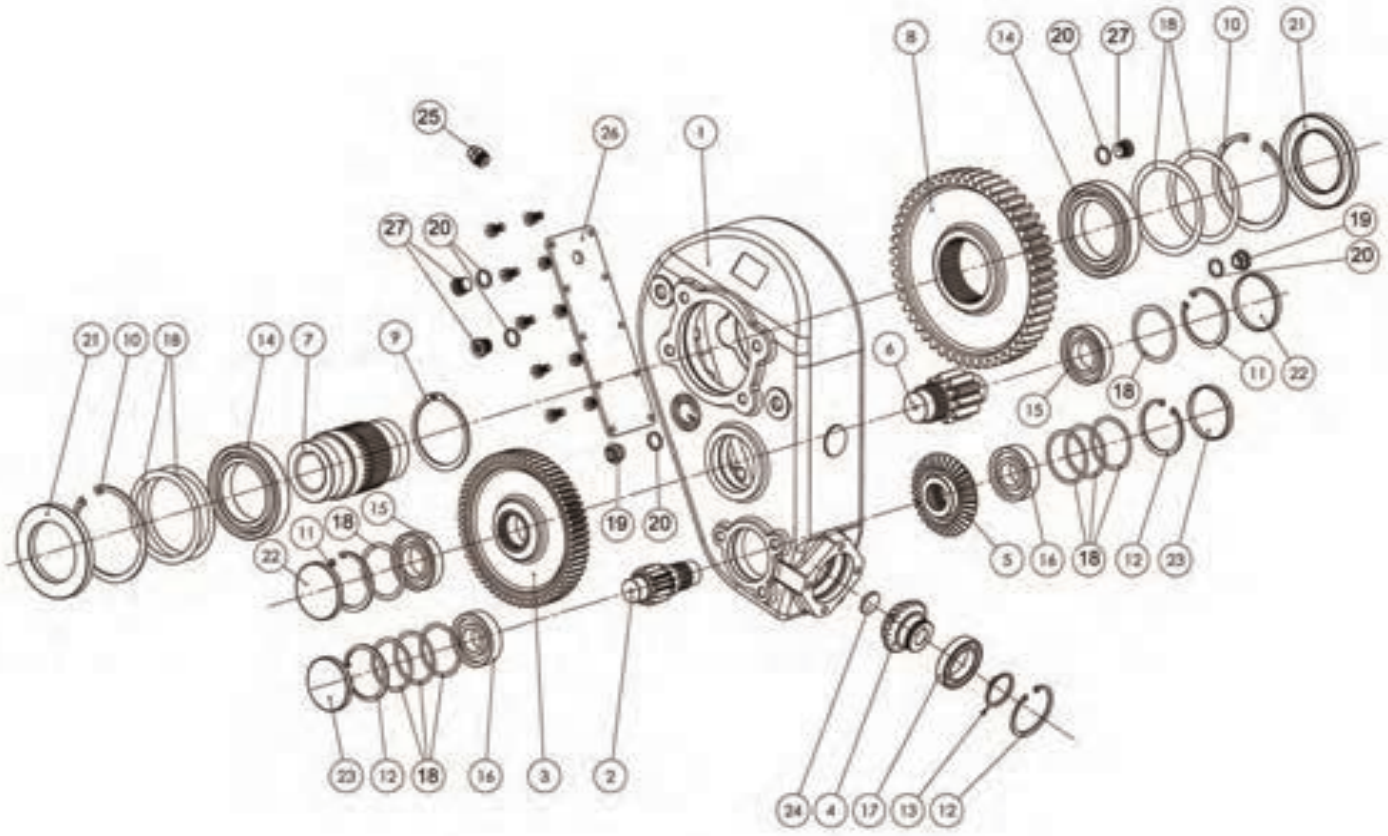




FIGURE 13 FRONT SHIELDS AND COMPONENTS

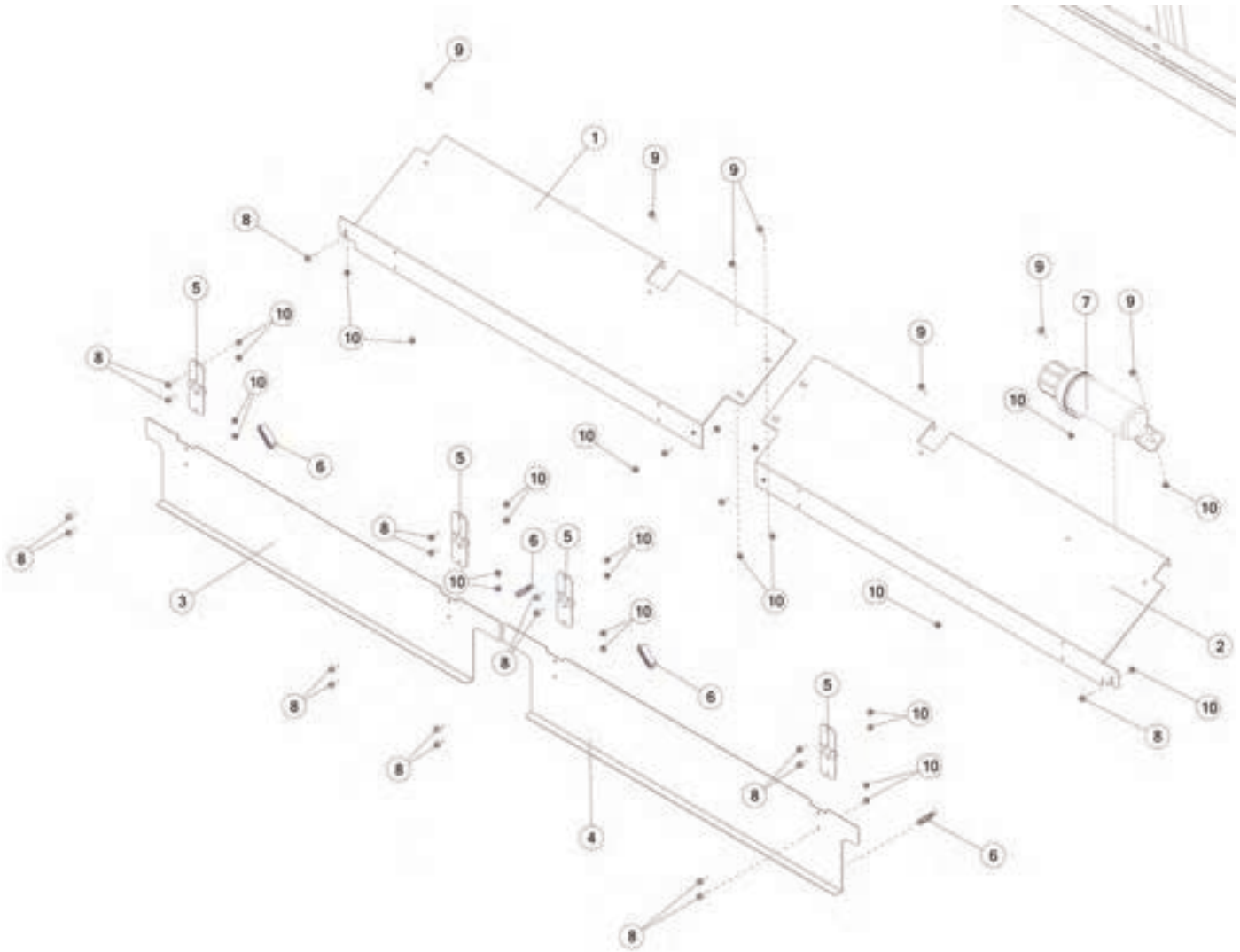




FIGURE 14 GLADHANDS AND COMPONENTS

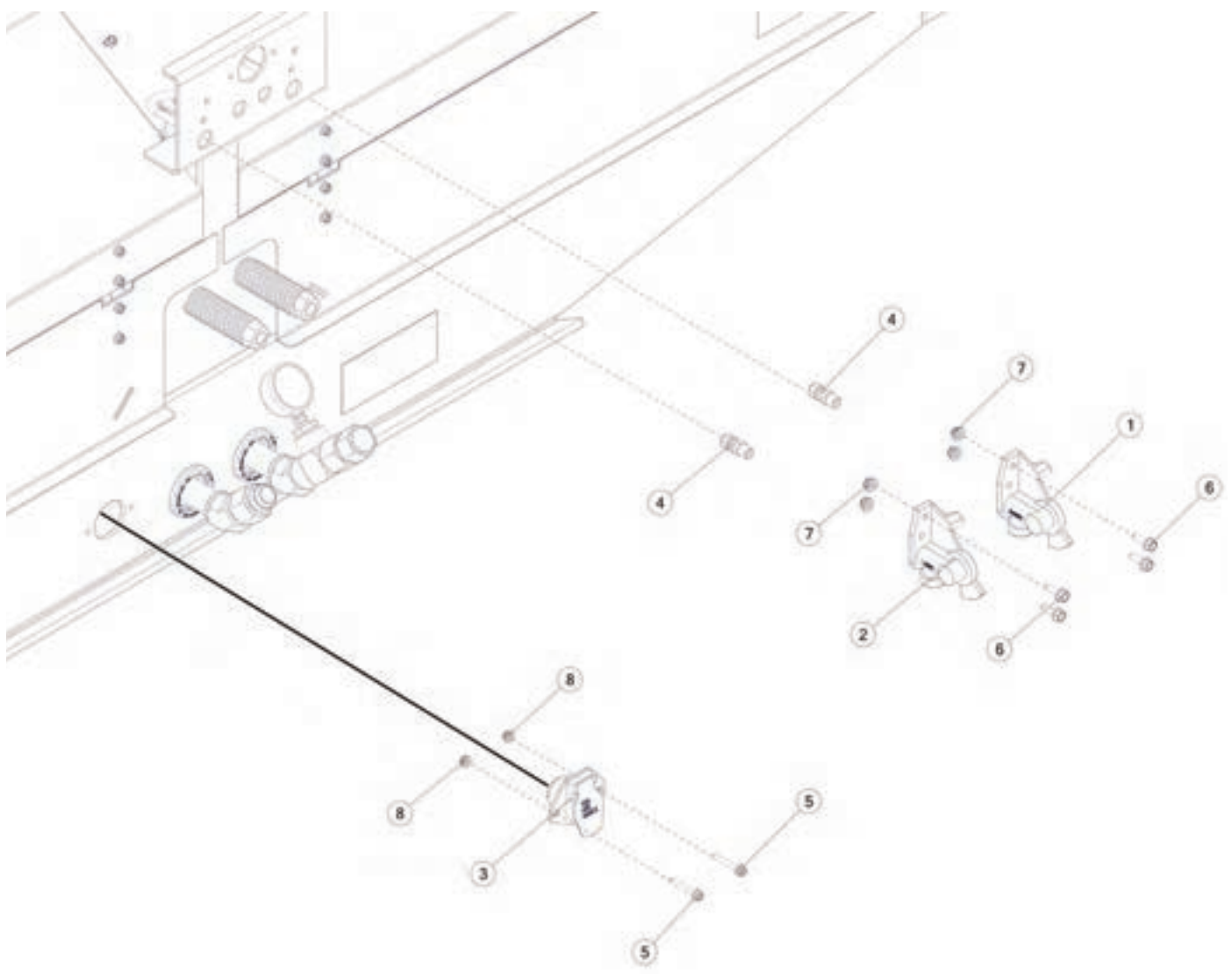




FIGURE 14

GLADHANDS AND COMPONENTS

REF #	PART #	DESCRIPTION	QTY
1	1015	37 DEGREE EMERGENCY GLADHAND, RED	1
2	1014	37 DEGREE SERVICE GLADHAND, BLUE	1
3	96182	ELECTRIC HARNESS	1
4	1032	MALE CONNECTOR, 3/8	2
5	YBFB08175	BOLT FLANGE, 1/4 X 1-3/4 G5	2
6	YBFB10001	BOLT FLANGE, 5/16 X 1 G5	4
7	YNFG10005	NUT FLANGE, 5/16 GF	4
8	YNFG08010	NUT FLANGE, 1/4 GF	2





FIGURE 15
AIR LINES AND COMPONENTS

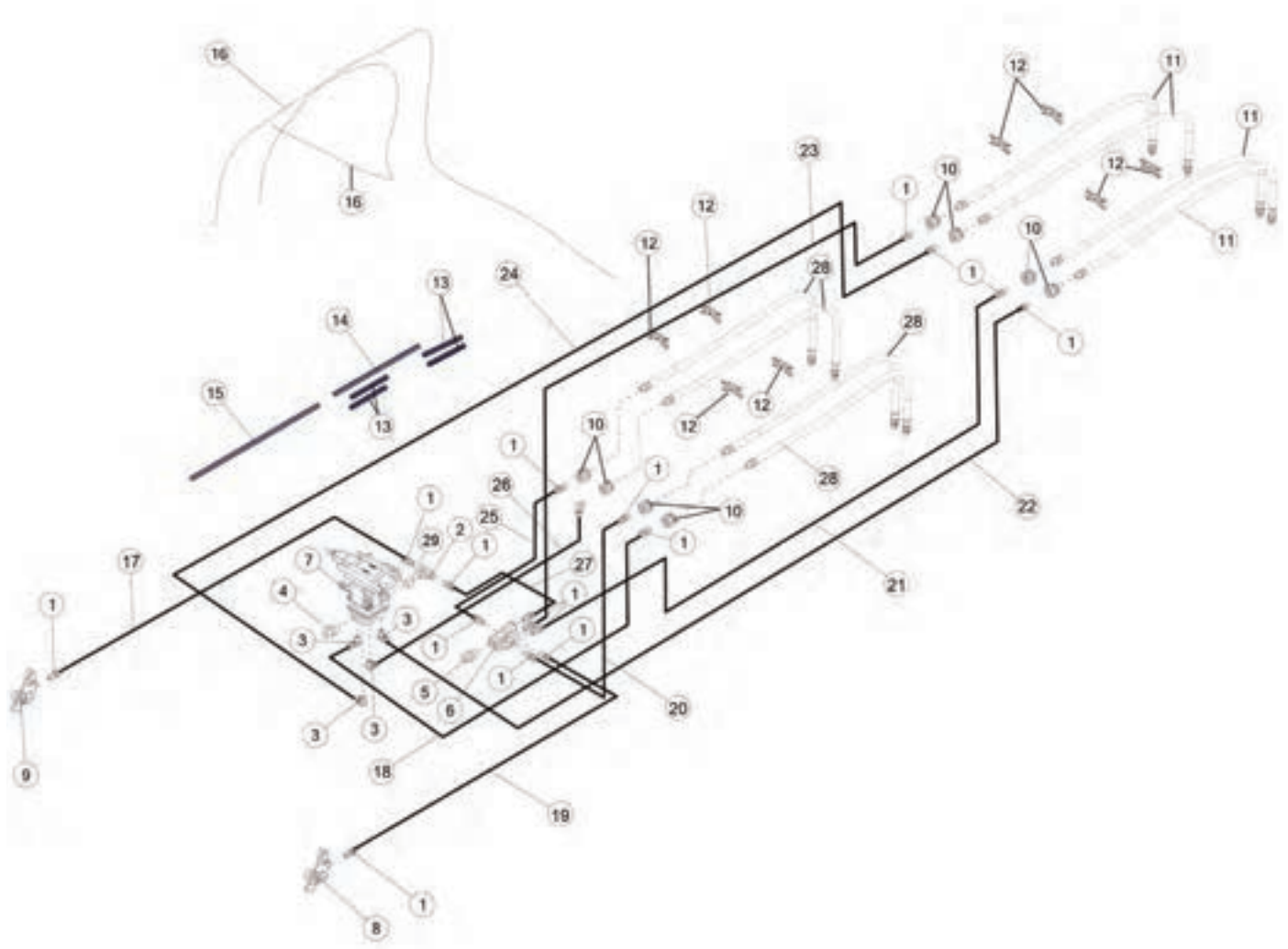




FIGURE 15

AIR LINES AND COMPONENTS

REF #	PART #	DESCRIPTION	QTY
1	1032	MALE CONNECTOR, 3/8	16
2	WM146	MALE BRANCH TEE	1
3	55798	FITTING ELBOW, 3/8 NPT	5
4	LW98	FITTING STRAIGHT, 12NPT X 12NPT	1
5	61584	FITTING STRAIGHT, 12NPT X 8NPT	1
6	1010	ABS SPRING BRAKE VALVE	1
7	1013	MERITOR WABCO ABS KIT 2S/1M	1
8	1015	37 DEGREE EMERGENCY GLADHAND, RED	1
9	1014	37 DEGREE SERVICE GLADHAND, BLUE	1
10	1114	BULKHEAD NIPPLE, 3/8 x 3/8	8
11	1116	HOSE, BACK	4
12	79676	HOSE SEPARATOR	8
13	93927	WIRE LOOM, 1/2 BLK SLT 6	4
14	93953	WIRE LOOM, 1/2 BLK SLT 12	1
15	93954	WIRE LOOM, 1/2 BLK SLT 18	1
16	55759	ABS ELECTRICAL LINE	2
17	94686	SUPPLY LINE, 428	1
18	55633	SUPPLY LINE, 25-1/2 BLUE	1
19	94687	EMERGENCY AIR LINE, 428	1
20	55632	EMERGENCY LINE, 19-1/2 RED	1
21	94596	EMERGENCY LINE, 70 RED	1
22	94636	SUPPLY LINE, 81 BLUE	1
23	94598	EMERGENCY LINE, 77 RED	1
24	94600	SUPPLY LINE, 70-1/2 BLUE	1
25	1109	EMERGENCY LINE, 22 RED	1
26	55631	SUPPLY LINE, 10 BLUE	1
27	55634	SUPPLY LINE, 15 BLUE	1
28	1115	HOSE, FRONT	4
29	1037	HEX SOCKET PIPE, PLUG 3/4	1



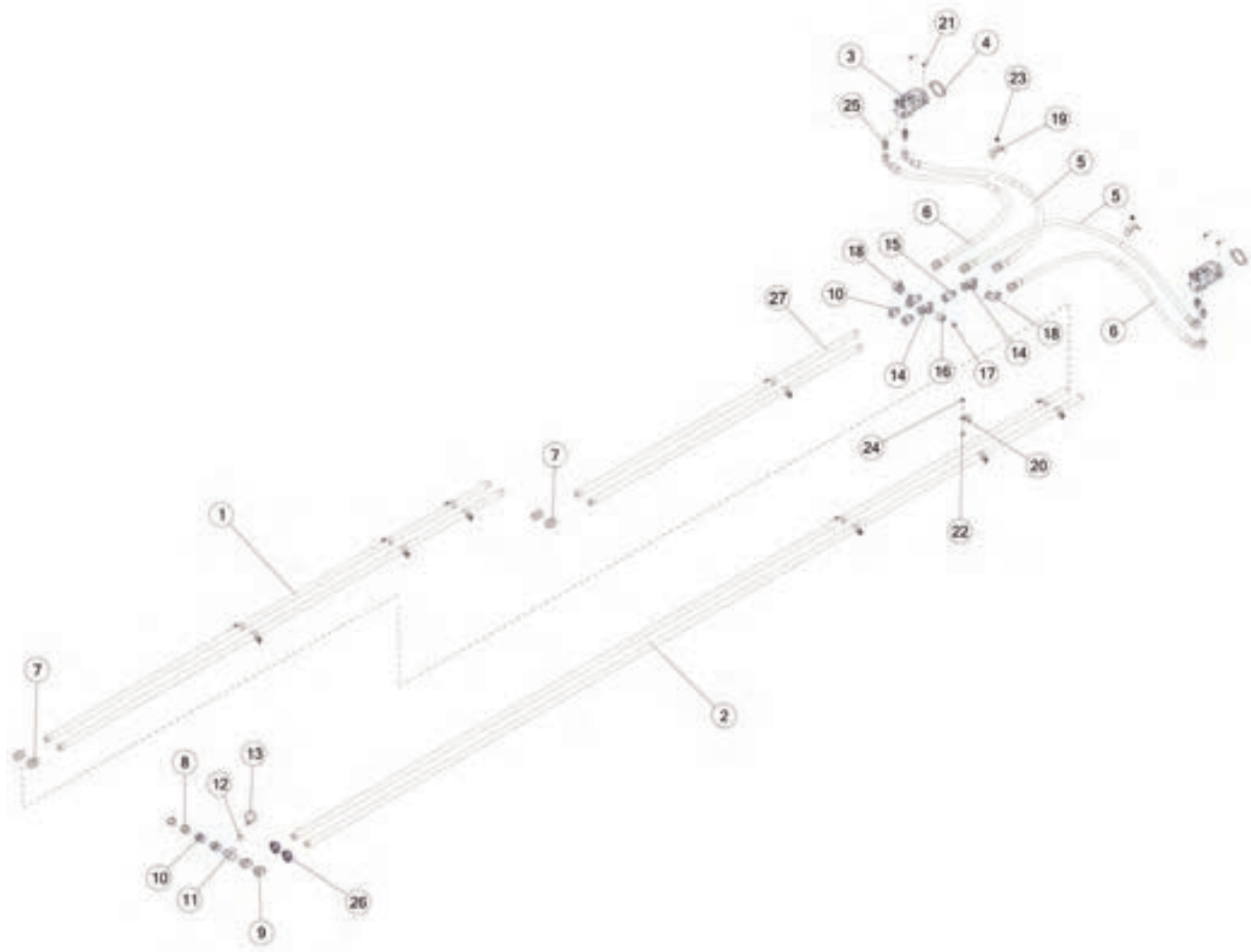




FIGURE 16

HYDRAULICS

REF #	PART #	DESCRIPTION	QTY
1	79549	HYDRAULIC LINE	2
2	BBSTPI02	HYDRAULIC LINE, 1	2
3	88033	HYDRAULIC MOTOR	2
4	94375	GASKET, HYDRAULIC MOTOR	2
5	BBSTMS18	HYDRAULIC HOSE, 12, 66	2
6	BBSTMS17	HYDRAULIC HOSE, 12, 61	2
7	BBS85	MALE 1.00 PIPE COUPLING 5000-16-16	4
8	94737	FITTING CAP, 16JIC	2
9	79550	FITTING 45, 1 NPT X 1 NPT	2
10	BBS65	FITTING STRAIGHT, 16JIC X 16NPT	4
11	DWM113	SERVICE TEE	1
12	BBS37	BUSHING, 1 NPTF TO 1/4 NPTF	1
13	BBS33	4000 PSI GAUGE	1
14	CHM182	FITTING TEE, 16JIC X 16JIC X 16JIC	3
15	53829	HYDRAULIC VALVE, CHECK, 1	1
16	CHM183	FITTING STRAIGHT, 16JIC X 6JIC	1
17	83114	FITTING CAP, 6JIC	1
18	8021	FITTING 90, 16 JIC X 16JIC	2
19	T223	HOSE BRACKET	2
20	BBS86	PIPE CLAMP	13
21	YSHM78030	BOLT SOCKET, M12-1.75 X 30 8.8 BO	4
22	YBFB08100	BOLT FLANGE, 1/4 X 1 G5	13
23	YNFG12006	NUT FLANGE, 3/8 GF	2
24	YNFG08010	NUT FLANGE, 1/4 GF	13
25	GM21	FITTING STRAIGHT, 12JIC 10ORB STL	4
26	BBS91	ROUND LIGHT GROMMET	2
27	54085	HYDRAULIC LINE EXTENSION	2



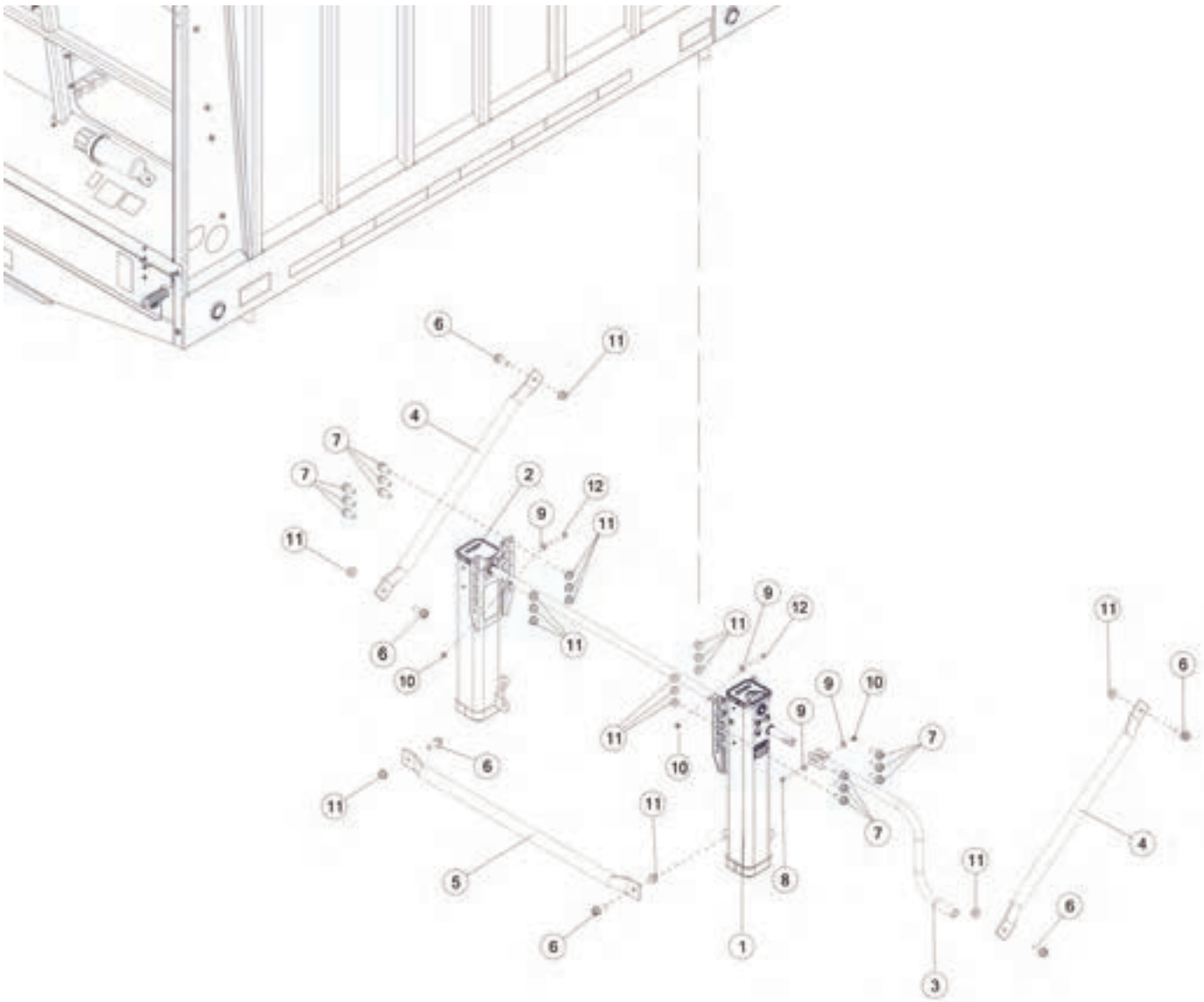
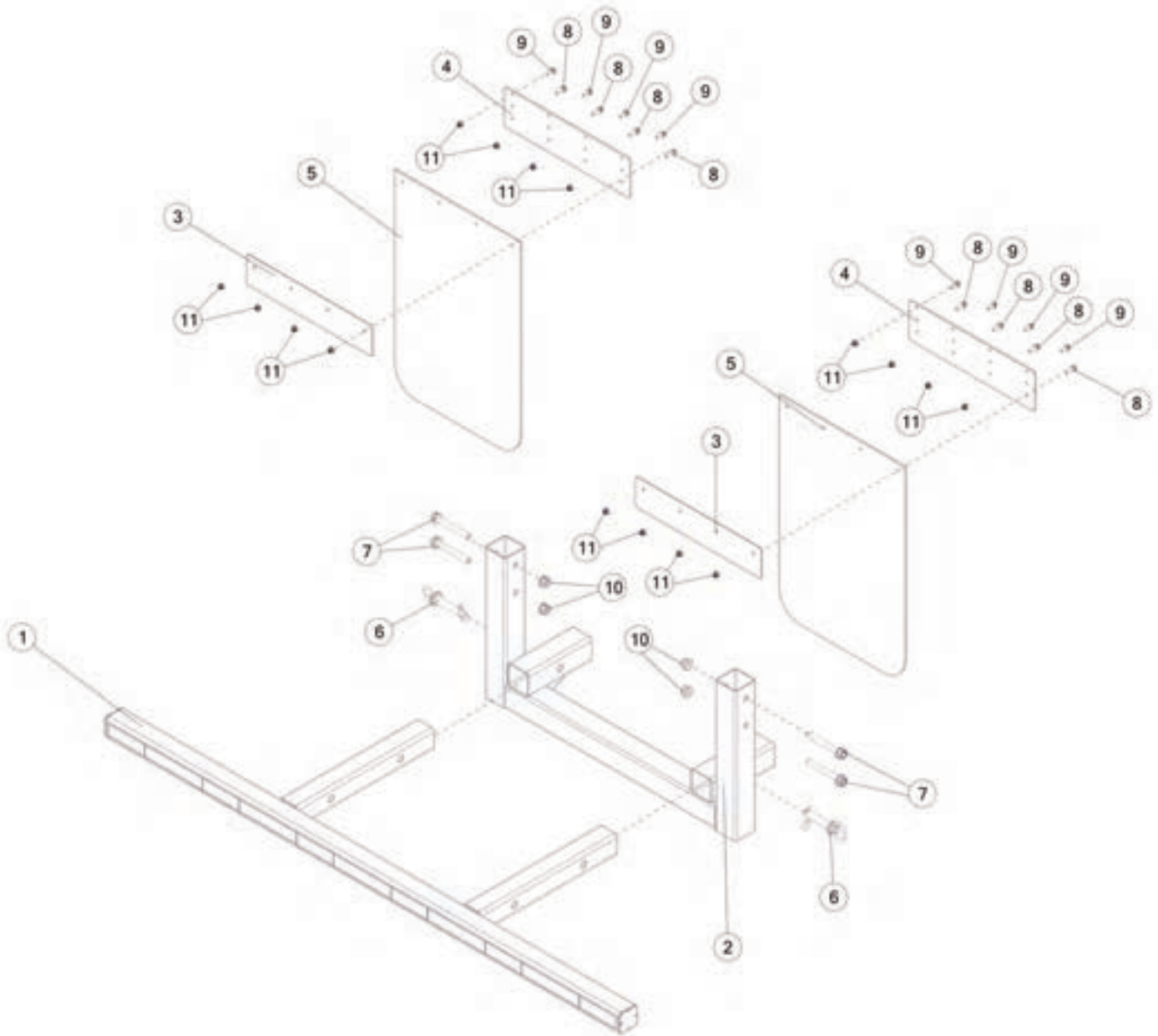




FIGURE 18 BUMPER AND COMPONENTS



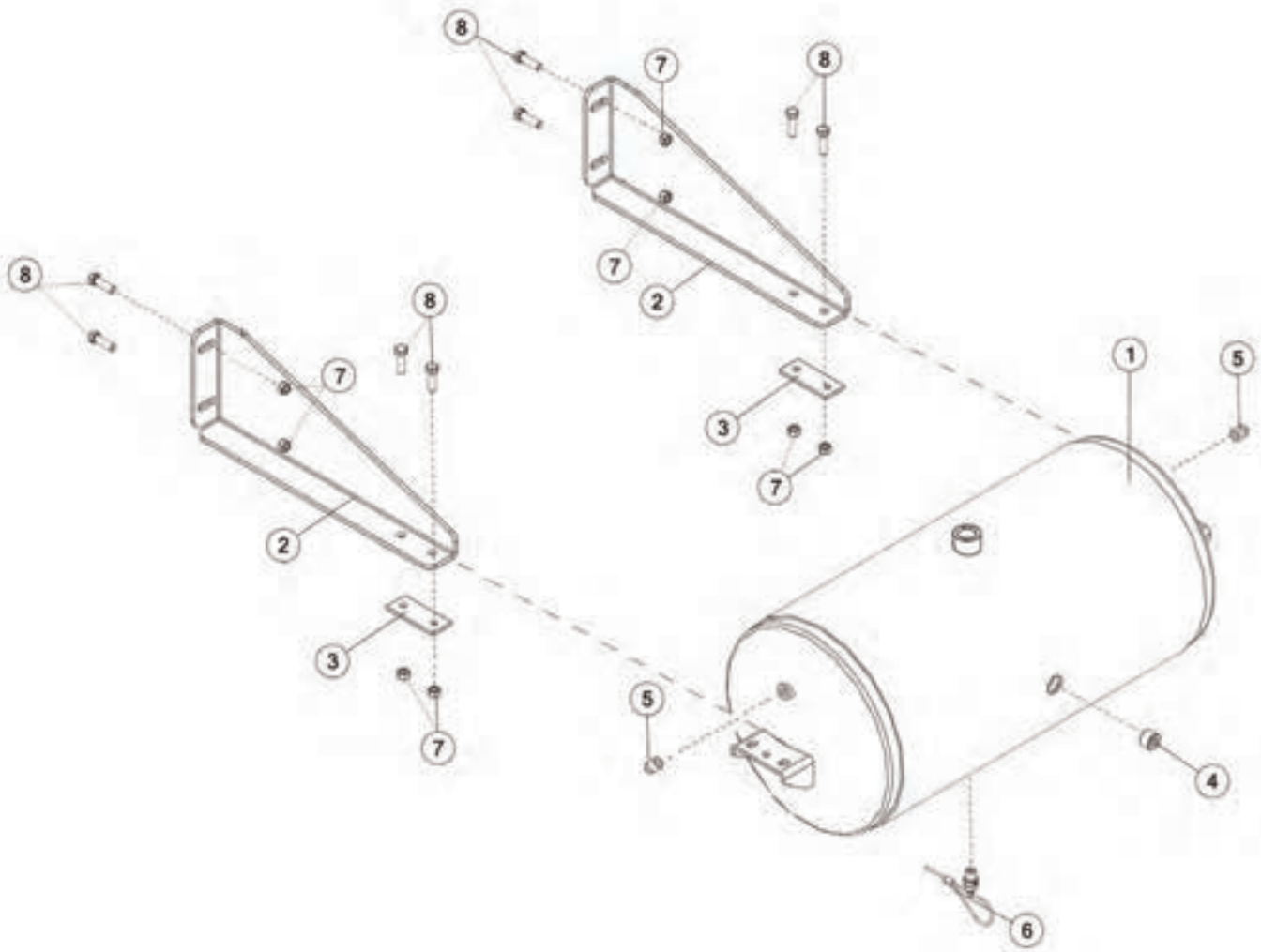
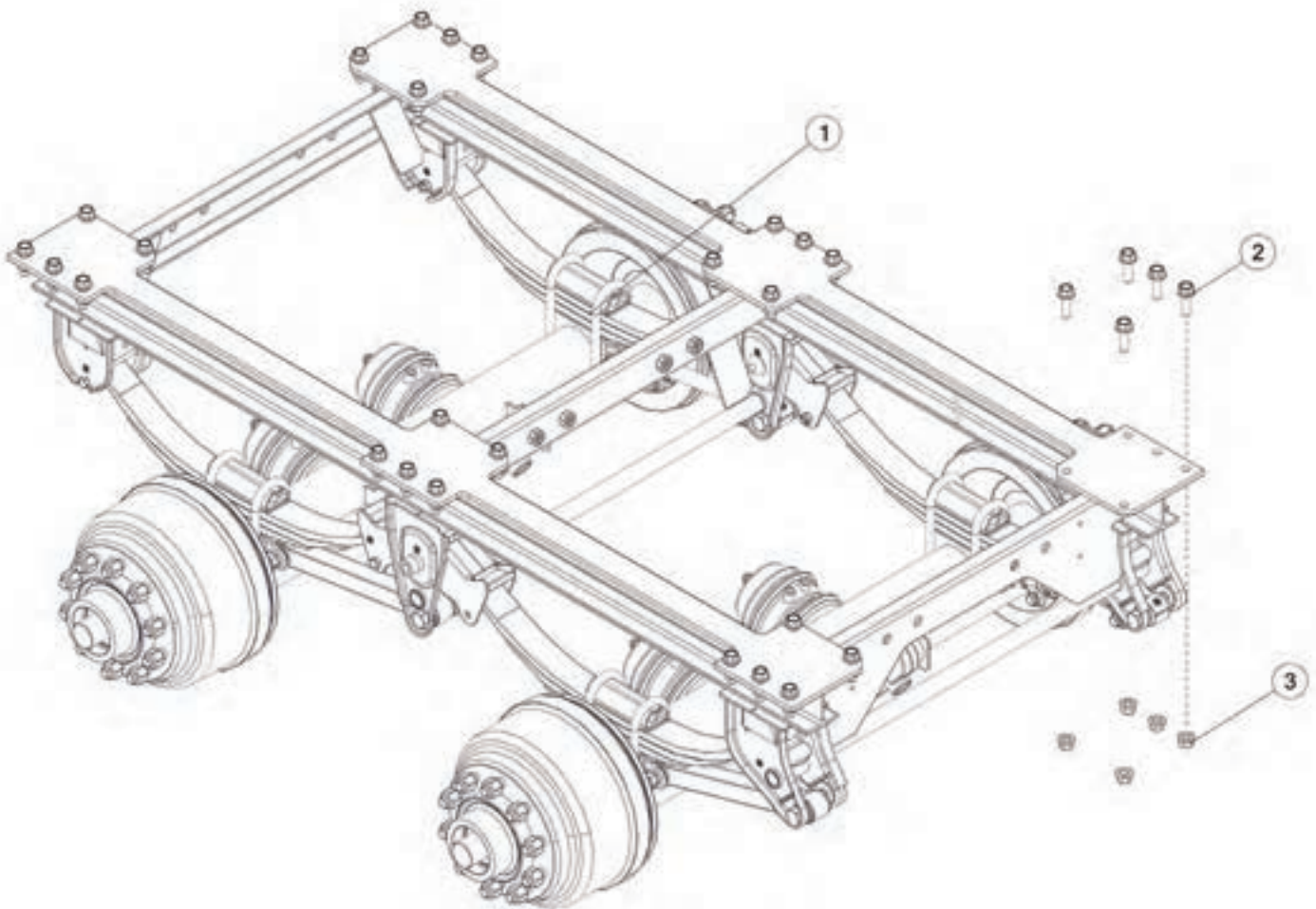
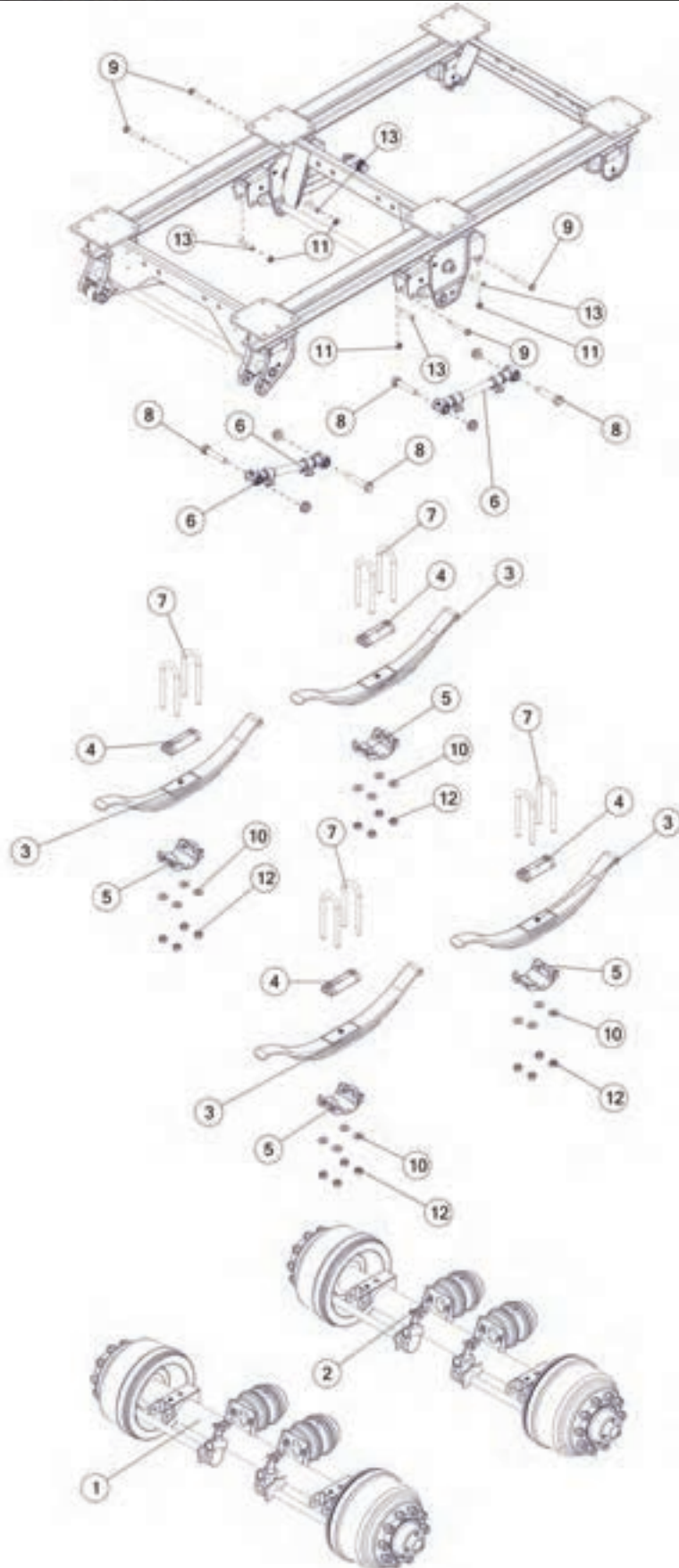
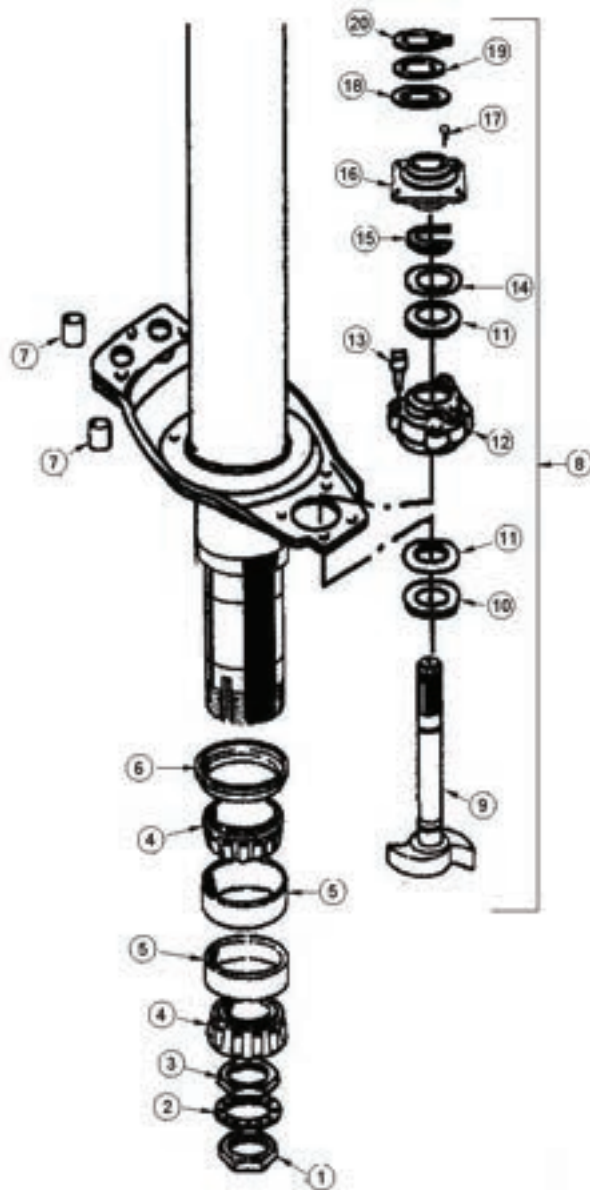




FIGURE 20
SPRING SUSPENSION







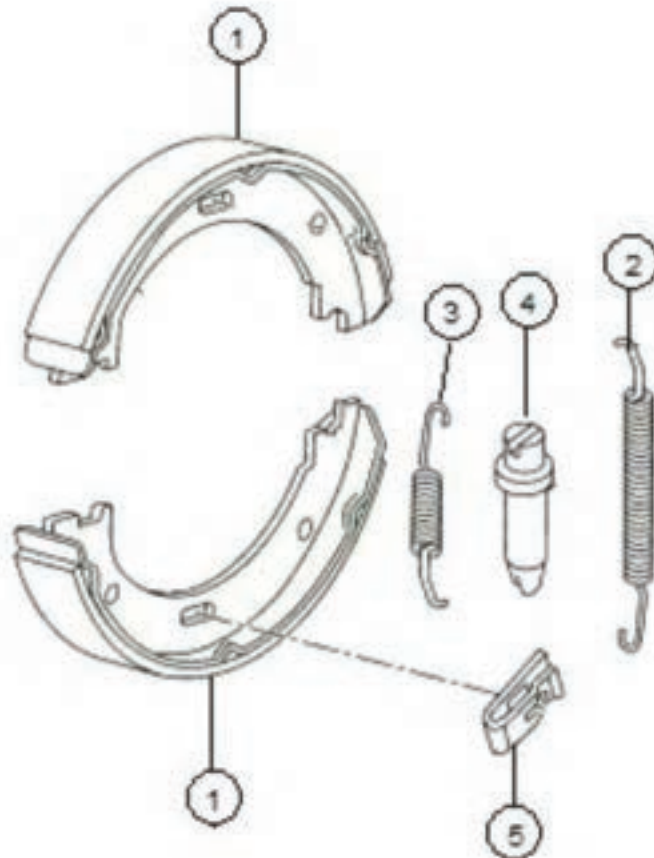
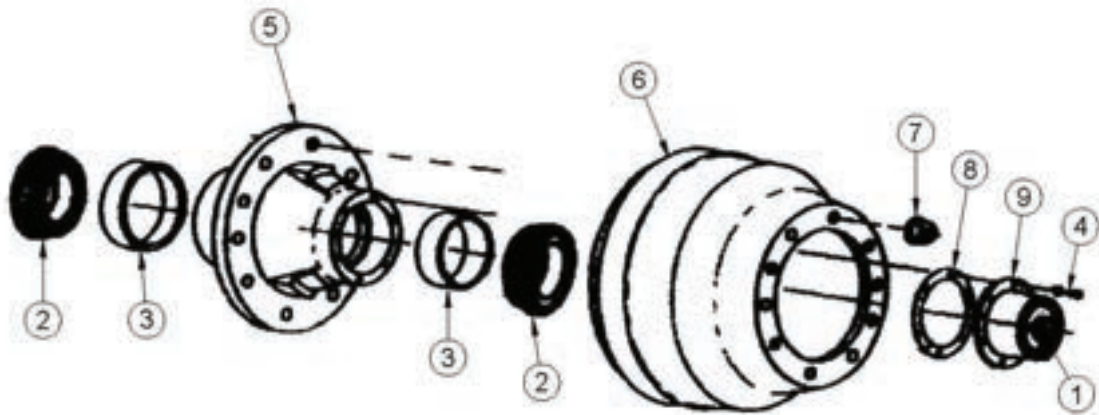
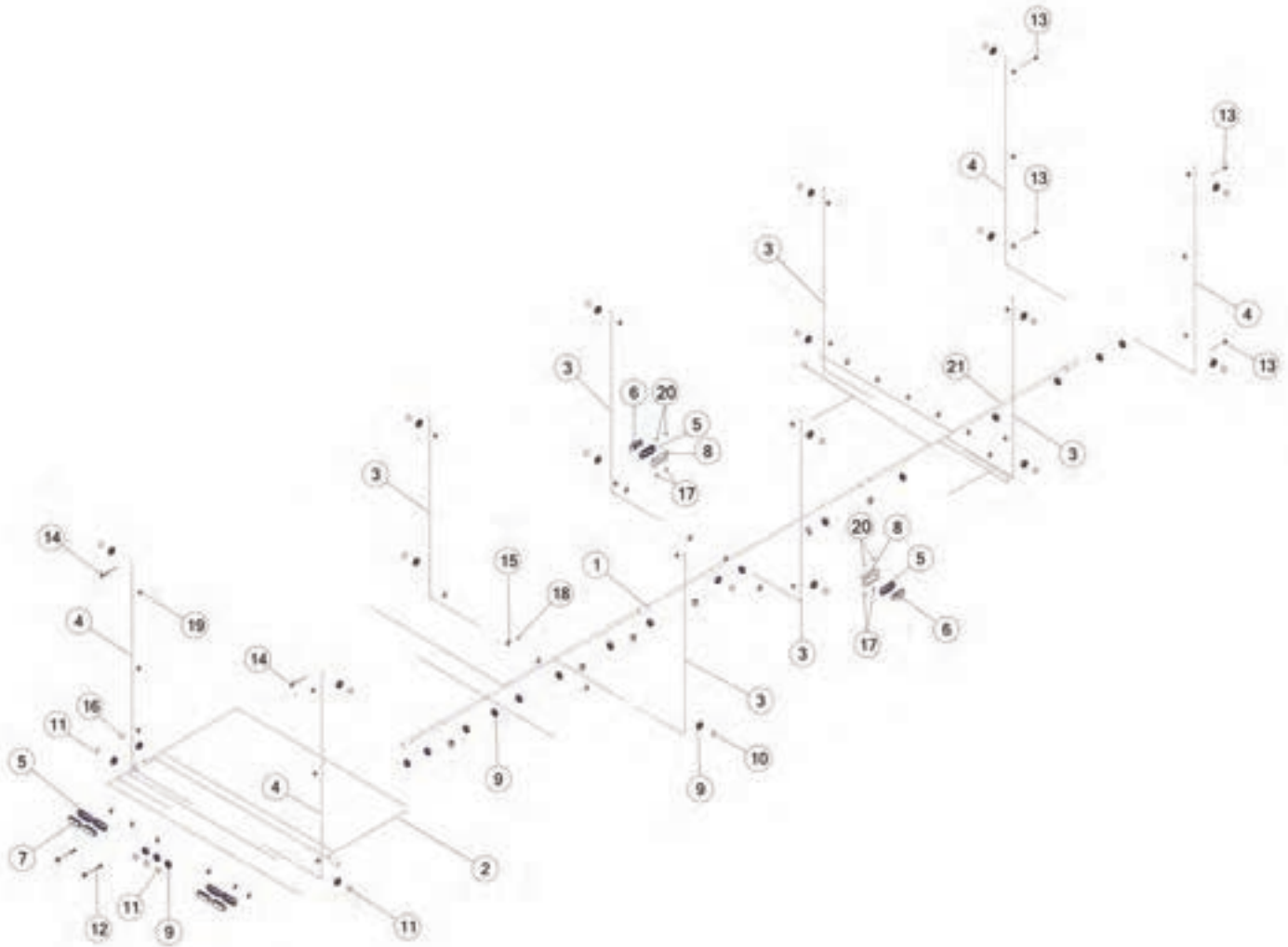




FIGURE 24

HUB AND COMPONENTS





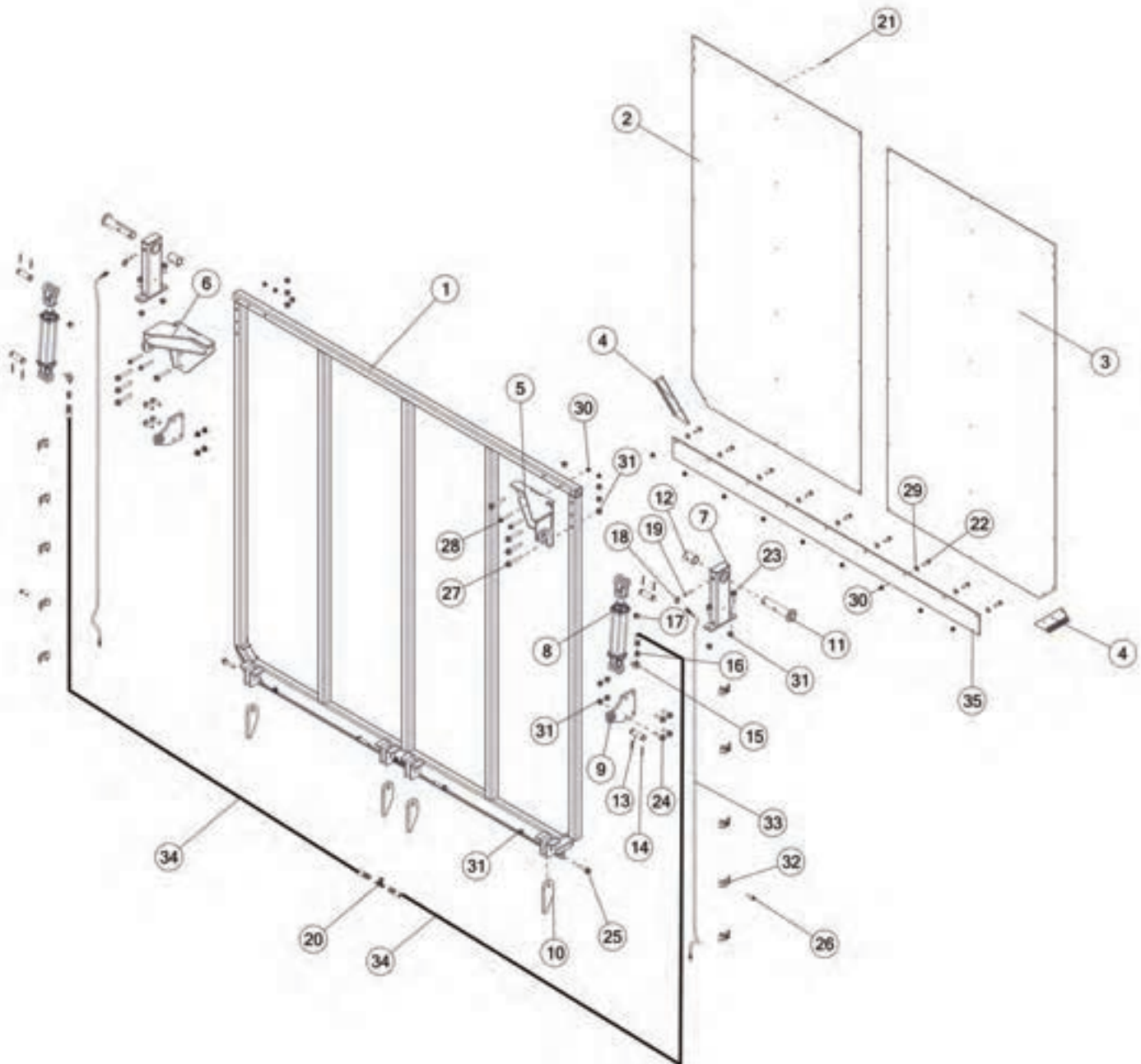




FIGURE 26 OPTIONAL BDOTPD

TOP PIVOT REAR DOOR W/HYD GATE DELAY

REF #	PART #	DESCRIPTION	QTY
1	96998	DOOR	1
2	97006	DOOR SKIN, LH	1
3	97008	DOOR SKIN, RH	1
4	88283	CORNER DOOR SEAL	2
5	89945	UPPER GATE DELAY MOUNT, RH	1
6	89265	UPPER GATE DELAY MOUNT, LH	1
7	94542	STAKE TOP REAR ASSEMBLY	2
8	55999	CYLINDER, 2 x 8 3000 PSI	2
*	56187	SEAL KIT	2
9	89267	LOWER GATE DELAY MOUNT	2
10	BBS67	LATCH	4
11	BBS64	DOOR HINGE PIN	2
12	BFR625	BRONZE BUSHING, TANDEM PIN	2
13	T143	HYDRAULIC CYLINDER PIN	4
14	YPCT05010	COTTER PIN, 5/32 X 1-1/2	8
15	CHM164	FITTING 90, 6JIC X 3/8NPT	2
16	58144	IN-LINE CONNECTOR, ORIFICE, 6-XHX7-S .062	2
17	BFR70	VENT PLUG, 3/8	2
18	90684	FITTING 90, 1/8NPT X 1/8NPT	2
19	90681	PIPE NIPPLE	2
20	58137	FITTING T, 6JIC X 6JIC X 6JIC	1
21	YSDR66007	SCR SELF DRILL, HEX WASH HD, #12-14 X 1-1/4 ZC	42
22	YBFB12125	BOLT FLANGE, 3/8 X 1-1/4 G5	9
23	YBFB16150	BOLT FLANGE, 1/2 X 1-1/2 G5	4
24	YBFB16175	BOLT FLANGE, 1/2 X 1-3/4 G5	8
25	YBFB16250	BOLT FLANGE, 1/2 X 2-1/2 G5	4
26	YSHW10020	SCREW THREAD CUTTING, 5/16 X 1-1/2	2
27	YBFB16350	BOLT FLANGE, 1/2 X 3-1/2 G5	8
28	YBFB12300	BOLT FLANGE, 3/8 X 3 G5	4
29	YWFL12005	WASHER FLAT, 3/8 USS	9
30	YNFG12006	NUT FLANGE, 3/8 GF	13
31	YNFG16003	NUT FLANGE, 1/2 GF	24
32	23N67	FRONT HOSE BRACKET	2
33	HS101723	HYDRAULIC HOSE, 2, 104	2
34	78689	HYDRAULIC HOSE, 6, 230	2
35	94722	DOOR RUBBER, REAR	1





FIGURE 27
OPTIONAL FBOTPDSK
SEAL KIT FOR TOP PIVOT DOOR

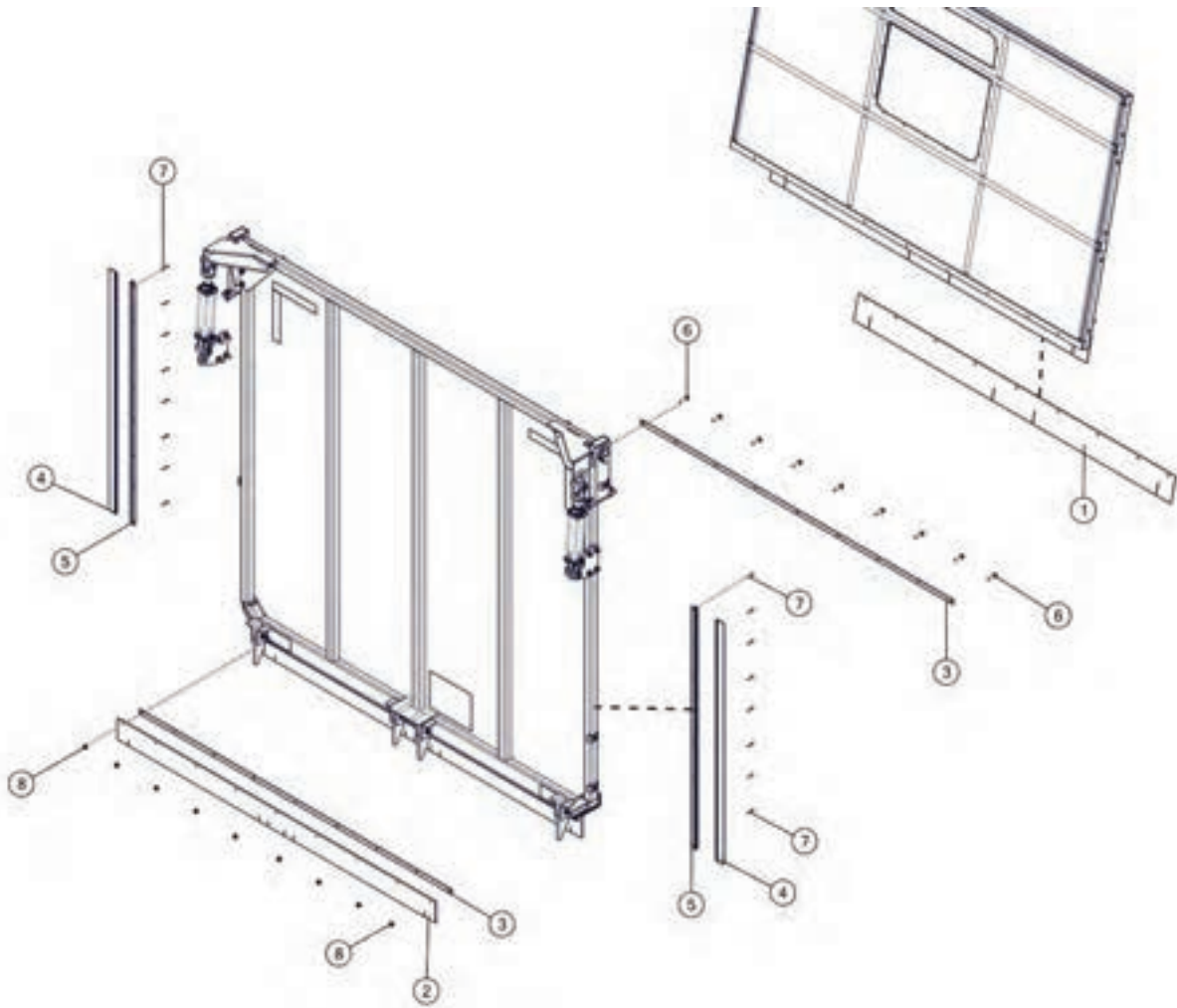




FIGURE 28
OPTIONAL TDO40RH
40FT ROOF HOOD - NOT INSTALLED

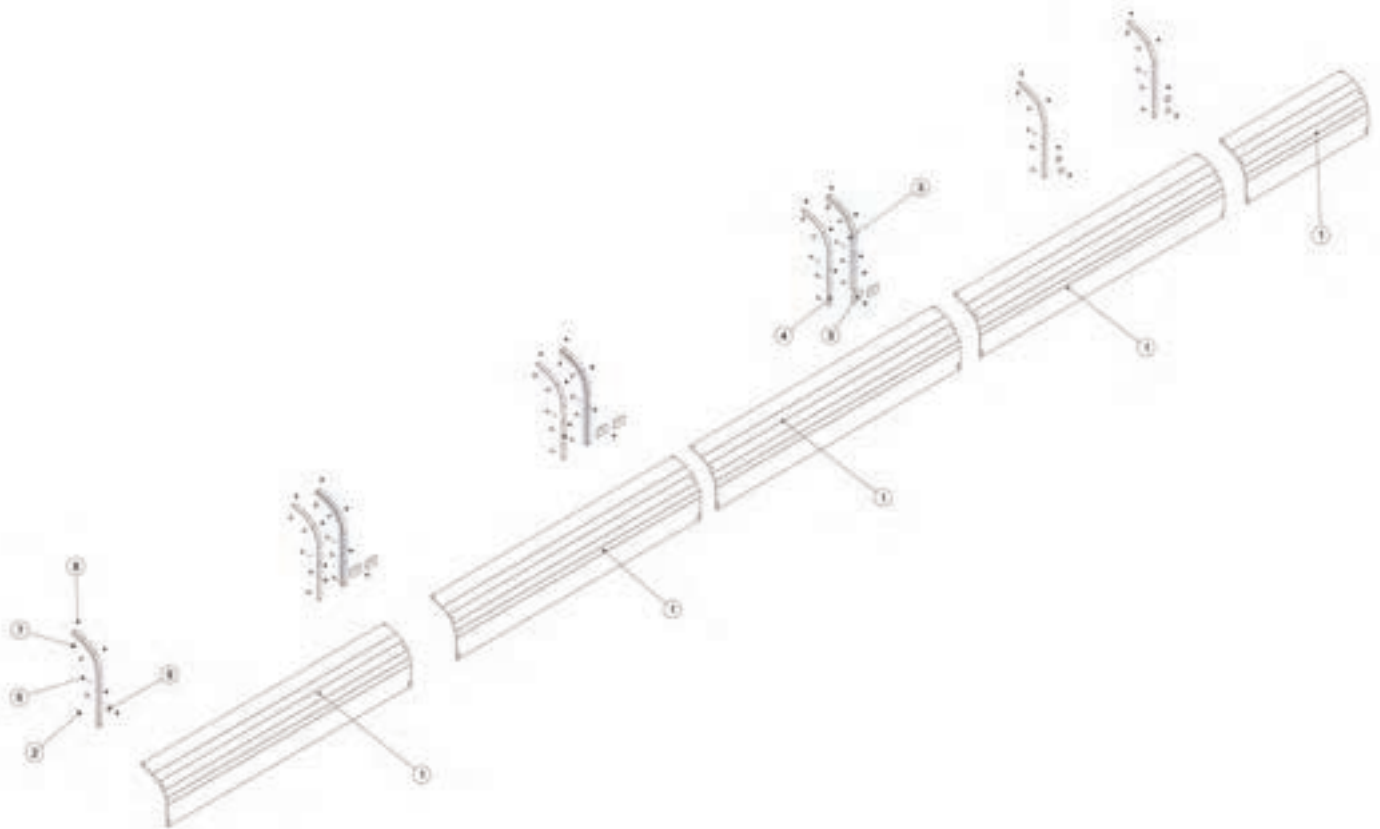




FIGURE 29

OPTIONAL TDOSBD - TRUCK MOUNT SWINGING BARN DOORS W/AIR CLOSURE

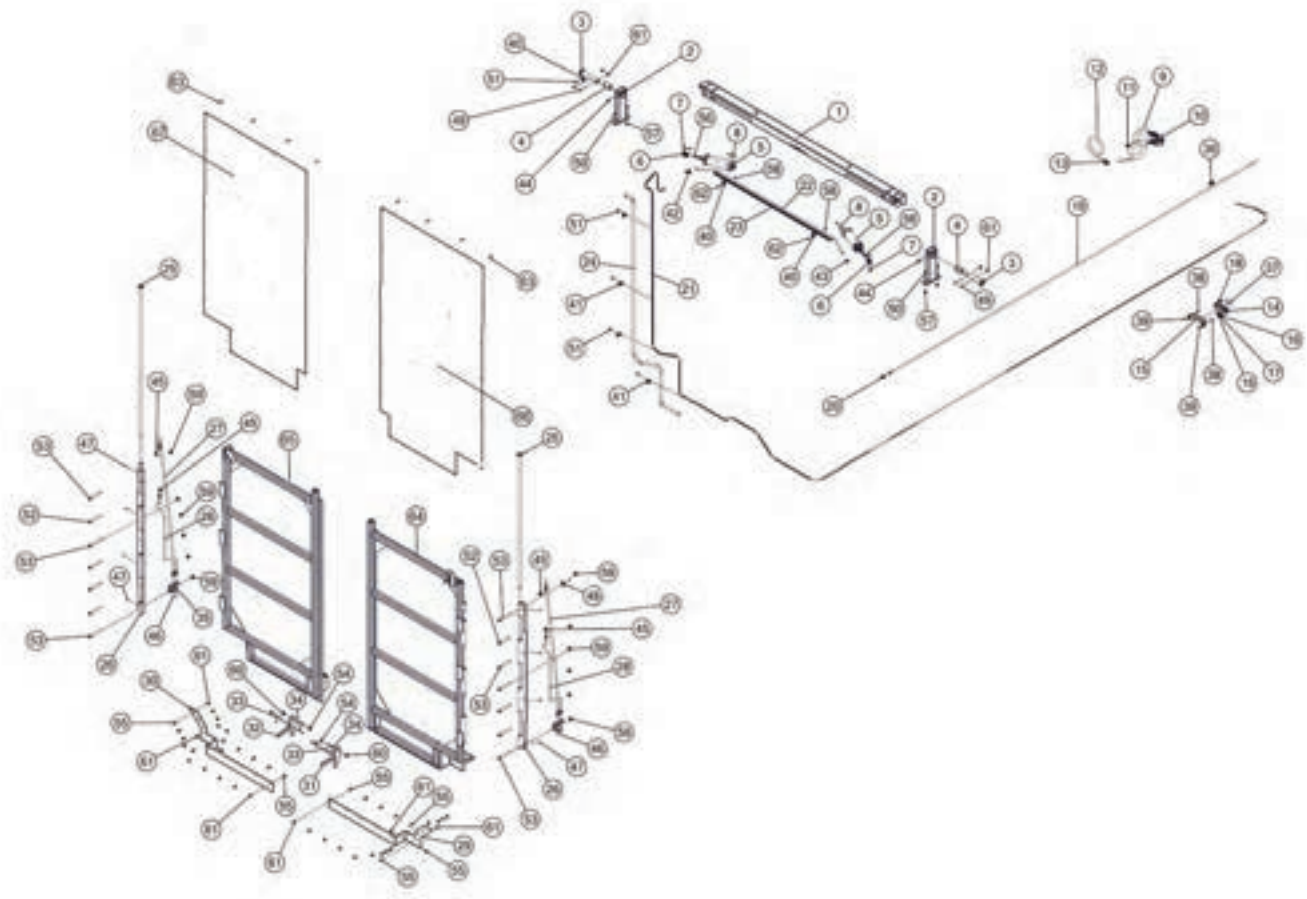




FIGURE 29

OPTIONAL TDOSBD - TRUCK MOUNT SWINGING BARN DOORS W/AIR CLOSURE

REF #	PART #	DESCRIPTION	QTY
1	85203	TOP CHANNEL, AIR	1
2	BBS21	STAKE TOP REAR	2
3	BBS64	DOOR HINGE PIN	2
4	BBS39	BUSHING	2
5	GD49	AIR CYLINDER, 2-1/2 X 8	2
6	8542	CLEVIS, .625-18	2
7	8544	CLEVIS PIN, 1/2 DIA X 1-1/2	2
8	8543	CLEVIS PIN, 1/2 DIA X 1-3/8	2
9	63361	HAND CONTROLLER, (ON)-OFF	1
10	16SV235	SWITCH BOOTS	1
11	58790	DEUTSCH 2 PIN PLUG HOUSING	1
12	1093	DIN CORD	1
13	LW285	DIN CONNECTOR SMALL	1
14	8031	NORGREN VALVE 4 WAY	1
15	54510	AIR VALVE MOUNTING BRACKET	1
16	GD7	VENT PLUG, CONE SHAPED, 1/4	2
17	58651	DOT FITTING, 1/4 to 3/8	1
18	GD6	MALE COUPLER, 1/4	2
19	58521	TRACTOR POWER SUPPLY CABLE	1
20	56862	DEUTSCH 2 PIN RECEPTACLE, 1 PIN ONLY	1
21	79792	CYLINDER SUPPLY LINE 530 BLACK	1
22	0227MS03	CYLINDER TIE AIR LINE	1
23	0227MS02	WIRE LOOM	1
24	0227MS01	AIR LINE SHIELD	1
25	82449	DOOR HINGE PIN	2
26	82438	HINGE	2
27	88909	GREASE HOSE, 3, 66	2
28	89739	GREASE HOSE, 3, 45	2
29	0227RU01	DOOR SEAL BOTTOM	1
30	94790	DOOR SEAL BOTTOM	1
31	0227WE08	LATCH, RH	1
32	0227WE07	LATCH, LH	1
33	SD190	GAS STRUT	2
34	0227PI02	LATCH SPACER	2
35	94849	PLATE, GREASE LINE	2
36	GD23	STRAIN RELIEF, CONNECTOR	1
37	YSHS62005	BOLT SOCKET, #8-32 X 1-3/4 BO	3
38	YBHH08010	BOLT HEX, 1/4-20 X 1 G5	2
39	YWFL08005	WASHER, FLAT, 1/4 USS	2





FIGURE 29

OPTIONAL TDOSBD - TRUCK MOUNT SWINGING BARN DOORS W/AIR CLOSURE

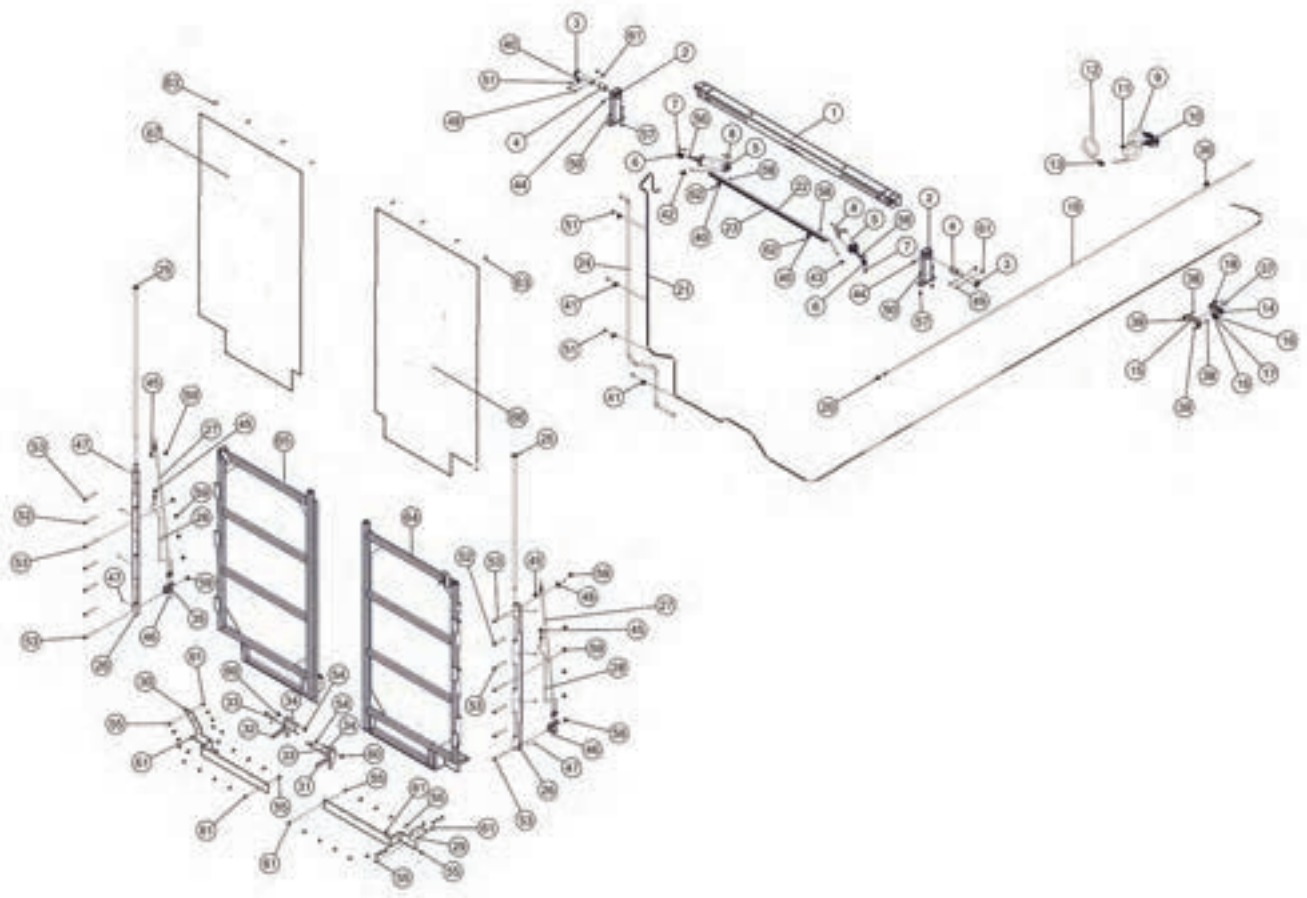




FIGURE 29

OPTIONAL TDOSBD - TRUCK MOUNT SWINGING BARN DOORS W/AIR CLOSURE

REF #	PART #	DESCRIPTION	QTY
40	HGV72	CUSHION WIRE CLAMP, 3/4	3
41	1097	EMT CLAMP, 1/2	4
42	GD26	FITTING TEE, 1/4NPT	1
43	GD5	FITTING 90, 1/4NPT	1
44	16SV26	ZERK, 30 DEGREE, 1/8 NPT X 2-3/32	2
45	89726	FITTING 90, 1/8NPT X 1/8NPSM	4
46	G89	STRAIGHT ZERK, 1/4-28	4
47	MS26	STRAIGHT ZERK, 1/4-28	8
48	YWFL20005	WASHER, FLAT, 5/8 USS	1
49	YBHH12120	BOLT HEX, 3/8 X 3 G 5	4
50	YBHH16030	BOLT HEX, 1/2-13 X 1-1/2 G5	4
51	YSDR08005	SCREW SELF DRILL, HEX WASH HD, 1/4-14 X 1 ZC	5
52	YBHH16155	BOLT HEX, 1/2 X 5 G5	2
53	YBHH16160	BOLT HEX, 1/2-13 X 5-1/2 G5	12
54	YBFB16350	BOLT FLANGE, 1/2 X 3-1/2 G5	2
55	YBFB12003	BOLT FLANGE, 3/8 X 1 G5	22
56	YNJM20010	NUT JAM, 5/8 A	2
57	YNTL16005	NUT HEX, 1/2-13 LKTL C ZC	3
58	YNTL08005	NUT HEX, 1/4-20 LKTL C ZC	2
59	YNFG16003	NUT FLANGE, 1/2 GF	12
60	YNFG16005	NUT FLANGE, 1/2-13 LKTL G ZC	2
61	YNFG12006	NUT FLANGE, 3/8 GF	26
62	YBHH08010	BOLT HEX, 1/4 X 1 G5	2
63	YSDR66007	SCREW SELF DRILLING, 12 X 1-1/4	68
64	94798	DOOR, RH	1
65	94766	DOOR, LH	1
66	94802	PANEL, STAINLESS BARN DOOR, RH	1
67	94794	PANEL, STAINLESS BARN DOOR, LH	1
*	94783	DOOR ASSEMBLY, LH	1
*	94797	DOOR ASSEMBLY, RH	1





FIGURE 30

OPTIONAL TDORAS REVERSE APRON SYSTEM

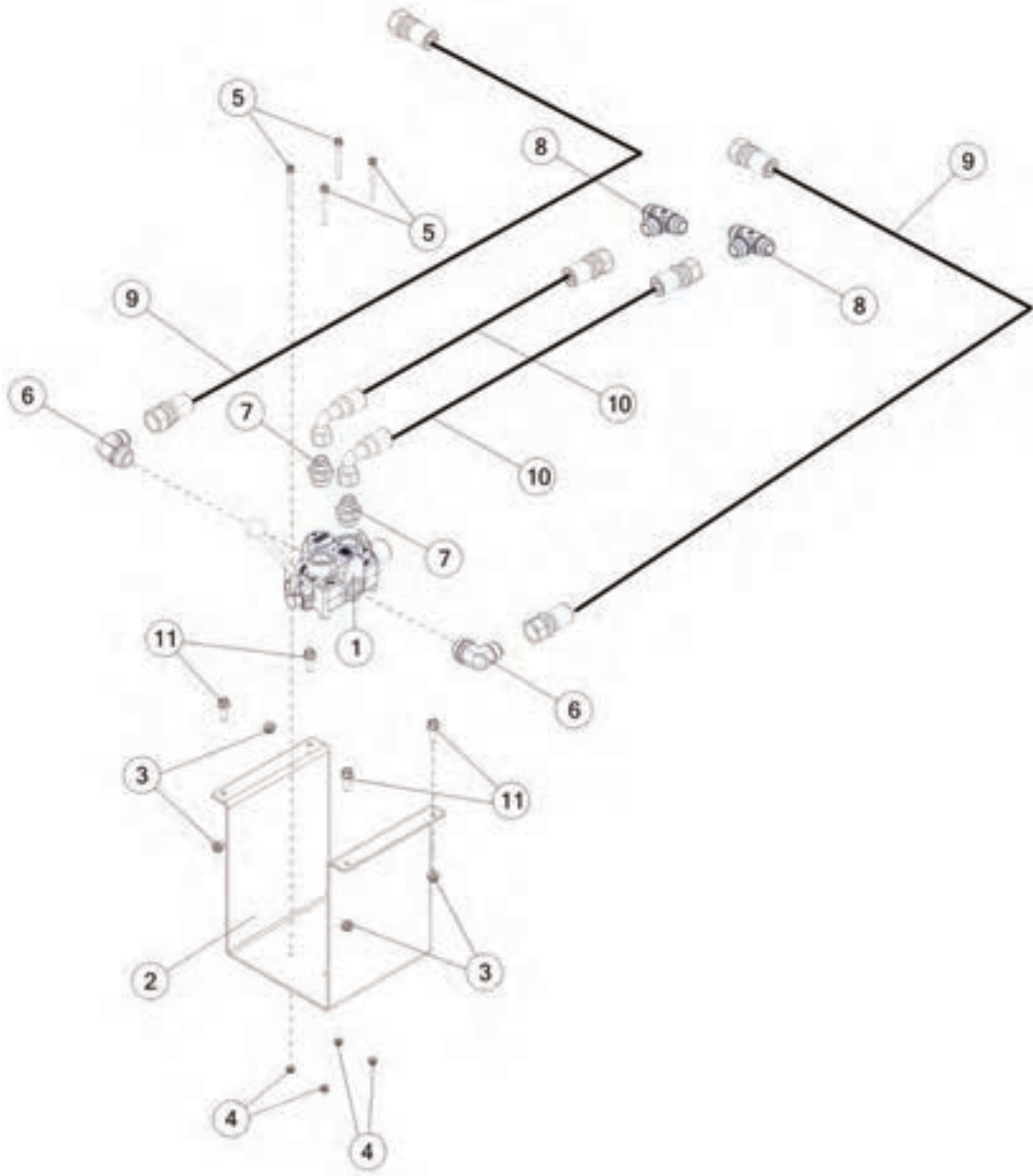




FIGURE 31
OPTIONAL TDOAIR54
AIR RIDE SUSPENSION IN LIEU OF SPRING SUSPENSION

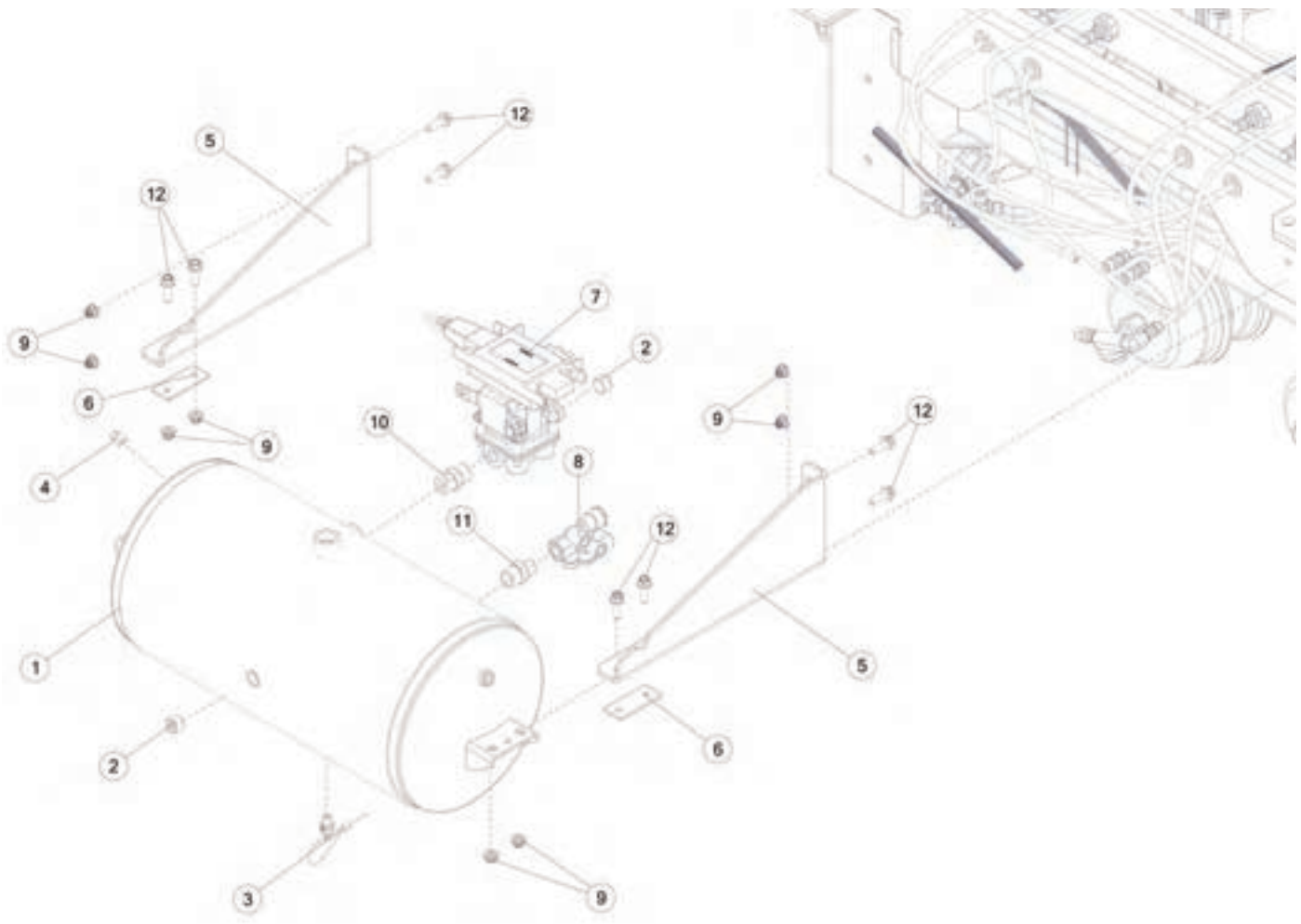




FIGURE 31
OPTIONAL TDOAIR54
AIR RIDE SUSPENSION IN LIEU OF SPRING SUSPENSION

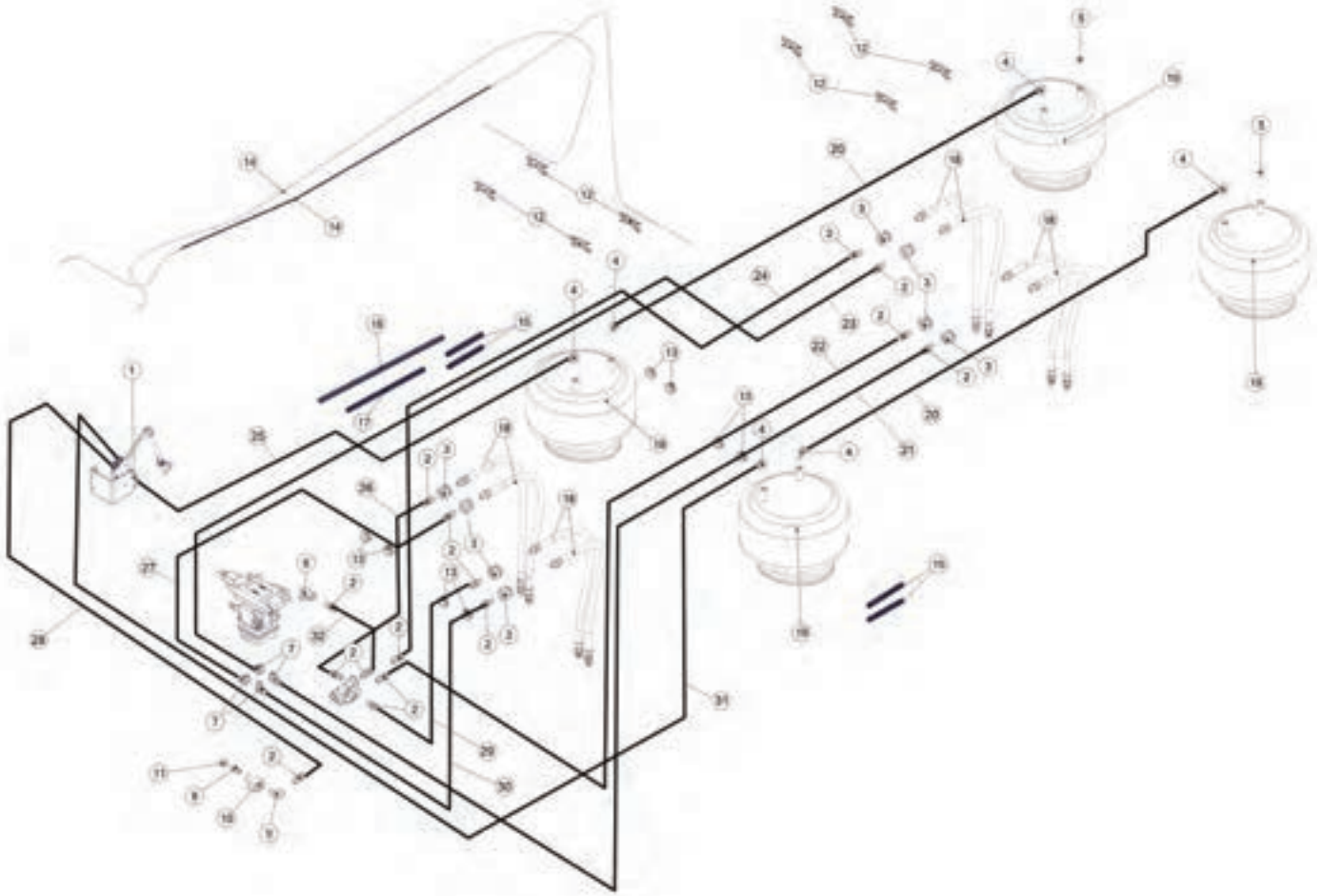




FIGURE 31

OPTIONAL TDOAIR54

AIR RIDE SUSPENSION IN LIEU OF SPRING SUSPENSION

REF #	PART #	DESCRIPTION	QTY
1	8009	HEIGHT CONTROL VALVE KIT	1
2	1032	MALE CONNECTOR, 3/8	18
3	1114	BULKHEAD NIPPLE, 3/8 X 3/8	8
4	1157	MALE ELBOW, 3/8 X 1/4 D.O.T.	6
5	1134	NPT HEX HEAD PIPE PLUG, 1/4	2
6	WM146	MALE BRANCH TEE	1
7	55798	FITTING, ELBOW, 3/8 NPT	4
8	1169	NIPPLE NUT, 1/4	1
9	53435	FITTING, 90, 3/8NPT X 1/4NPT	1
10	1168	REGULATOR, AIR SPRING	1
11	1098	BUSHING, 3/8 TO 1/4	1
12	79676	HOSE SEPARATOR	8
13	8030	PUSH-IN MIL SPEC GROMMET	8
14	8265	SENSOR EXTENSION CABLE	2
15	93927	WIRE LOOM 1/2, BLK SLT 6	4
16	93954	WIRE LOOM 1/2, BLK SLT 18	1
17	93953	WIRE LOOM 1/2, BLK SLT 12	1
18	8000	HOSE ASSEMBLY, 3/8 X 26	8
19	84644	AIR BAG	4
20	94920	AIR BAG LINE, 50 BLACK	2
21	94918	SUPPLY LINE, 90 BLUE	1
22	94911	EMERGENCY LINE, 70 RED	1
23	94915	SUPPLY LINE, 73 BLUE	1
24	94912	EMERGENCY LINE, 100 RED	1
25	95028	AIR SPRING SUPPLY, 40 BLACK	1
26	55829	EMERGENCY LINE 32.5 RED	1
27	55828	SUPPLY LINE, 19-1/4 BLUE	1
28	55751	TANK TO AIR REGULATOR, 44 BLACK	1
29	55827	EMERGENCY LINE, 19-1/2 RED	1
30	54469	SUPPLY LINE, 23-1/2 BLUE	1
31	94921	AIR SPRING SUPPLY, 54 BLACK	1
32	55634	SUPPLY LINE, 15 BLUE	1





FIGURE 31
OPTIONAL TDOAIR54
AIR RIDE SUSPENSION IN LIEU OF SPRING SUSPENSION

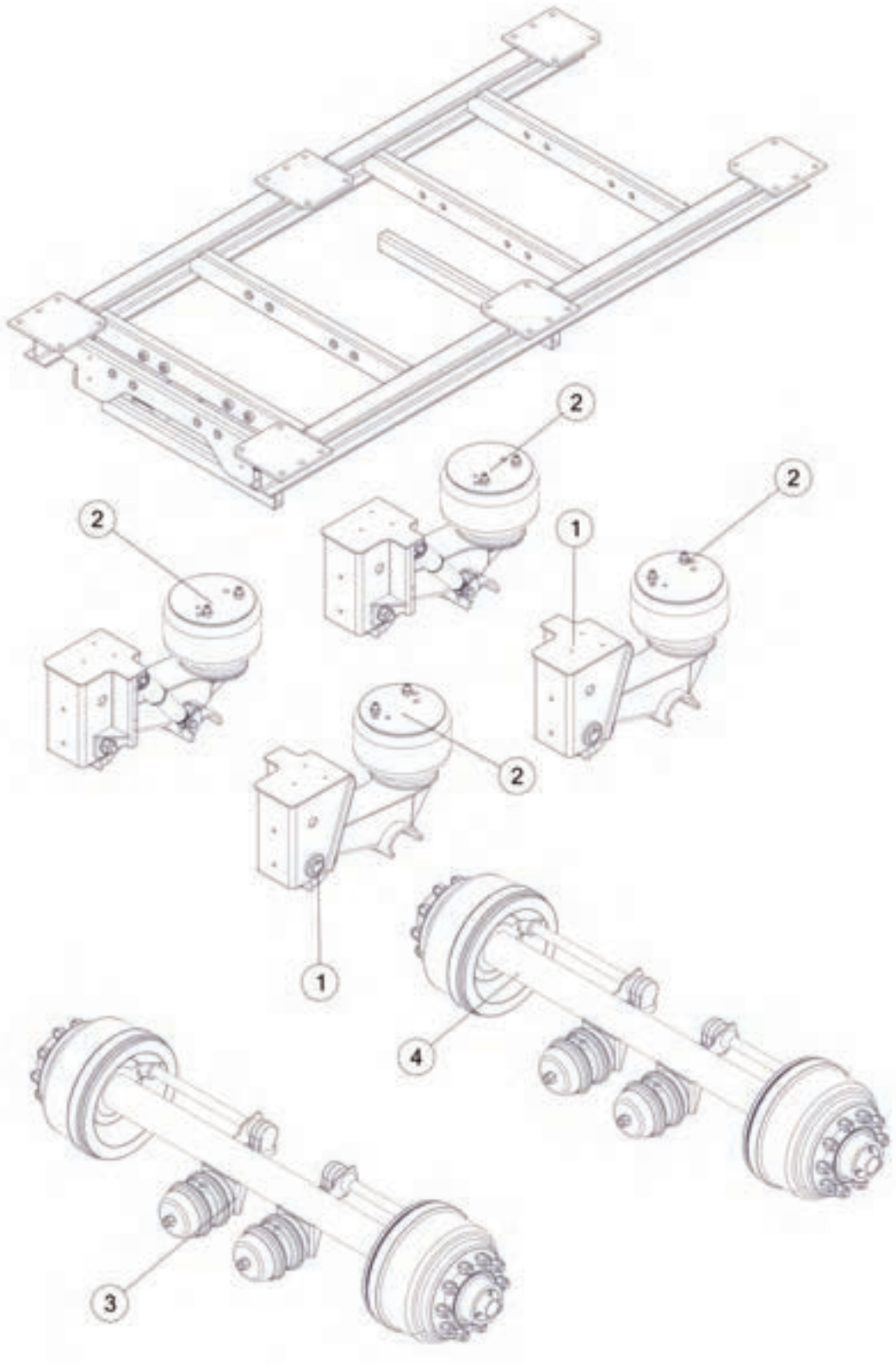




FIGURE 32
OPTIONAL TDOESST40
ELECTRIC DRIVE SIDE-TO-SIDE TARP

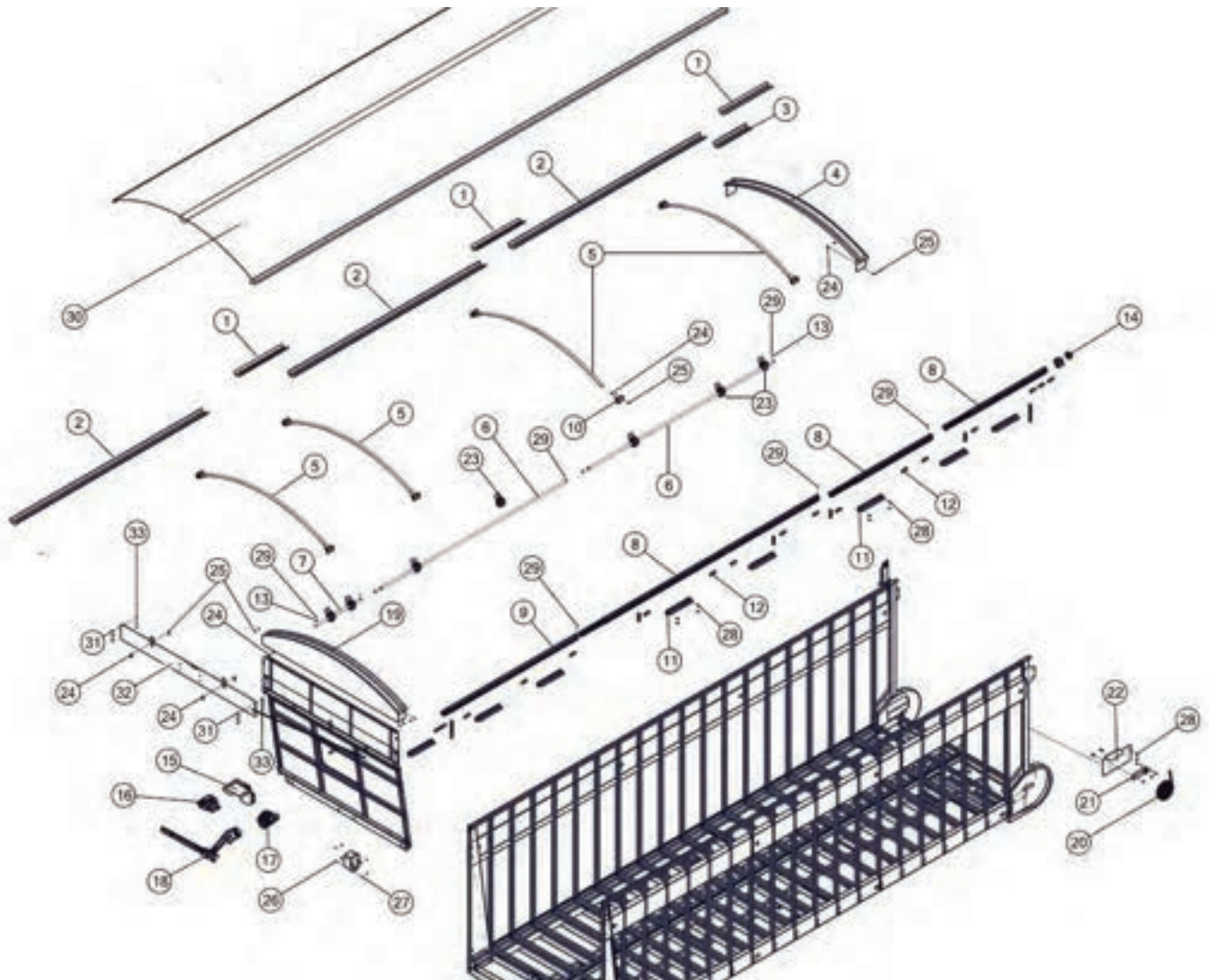




FIGURE 32

OPTIONAL TDOESST40

ELECTRIC DRIVE SIDE-TO-SIDE TARP

REF #	PART #	DESCRIPTION	QTY
1	92882	RIDGE POLE SPLICE	3
2	92818	RIDGE POLE,	3
3	92821	RIDGE POLE, 72	1
4	93117	END CAP ARCH	1
5	93115	BOW	8
6	92823	TARP POLE	3
7	92824	TUBE, 73	1
8	92807	AXLE, 3 MIDDLE	3
9	92808	AXLE, FRONT	1
10	93408	BRACKET, BOW	8
11	92813	LOCKING LIP	8
12	92812	TARP CLIP	13
13	YWFL08005	WASHER, FLAT, 1/4 USS	2
14	92814	CAP	1
15	92829	BRACKET	1
16	92828	PIVOT ASSEMBLY	1
17	92836	TARP MOTOR	1
18	92833	PIVOT ARM ASSEMBLY	1
19	92792	END CAP	1
20	92797	SPOOL, ROLL RITE	1
21	92801	BRACKET, MOUNTING SPOOL	1
22	89901	TARP SPRING BRACKET	1
23	92811	TARP STOP	9
24	YBFB10001	BOLT FLANGE, 5/16 X 1 G5	28
25	YNFG10005	NUT FLANGE, 5/16 GF	28
26	YBFB08100	BOLT FLANGE, 1/4 X 1 G5	4
27	YNFG08010	NUT FLANGE, 1/4 GF	4
28	YSWH10005	METAL SCREW, HEX WASH HD, 5/16-18 X 1-1/4	36
29	GM234	RIVET, 3/16 DIA, .376 - .50 GRIP	20
30	93116	TARP, 40 FT	1
31	YBFB12125	BOLT FLANGE, 3/8 X 1-1/4 G5	10
32	93433	PLATE, TARP MOUNT	1
33	YNFG12006	NUT FLANGE, 3/8 GF	12
*	92726	TARP RETURN	1
*	92827	POWER ARM	1



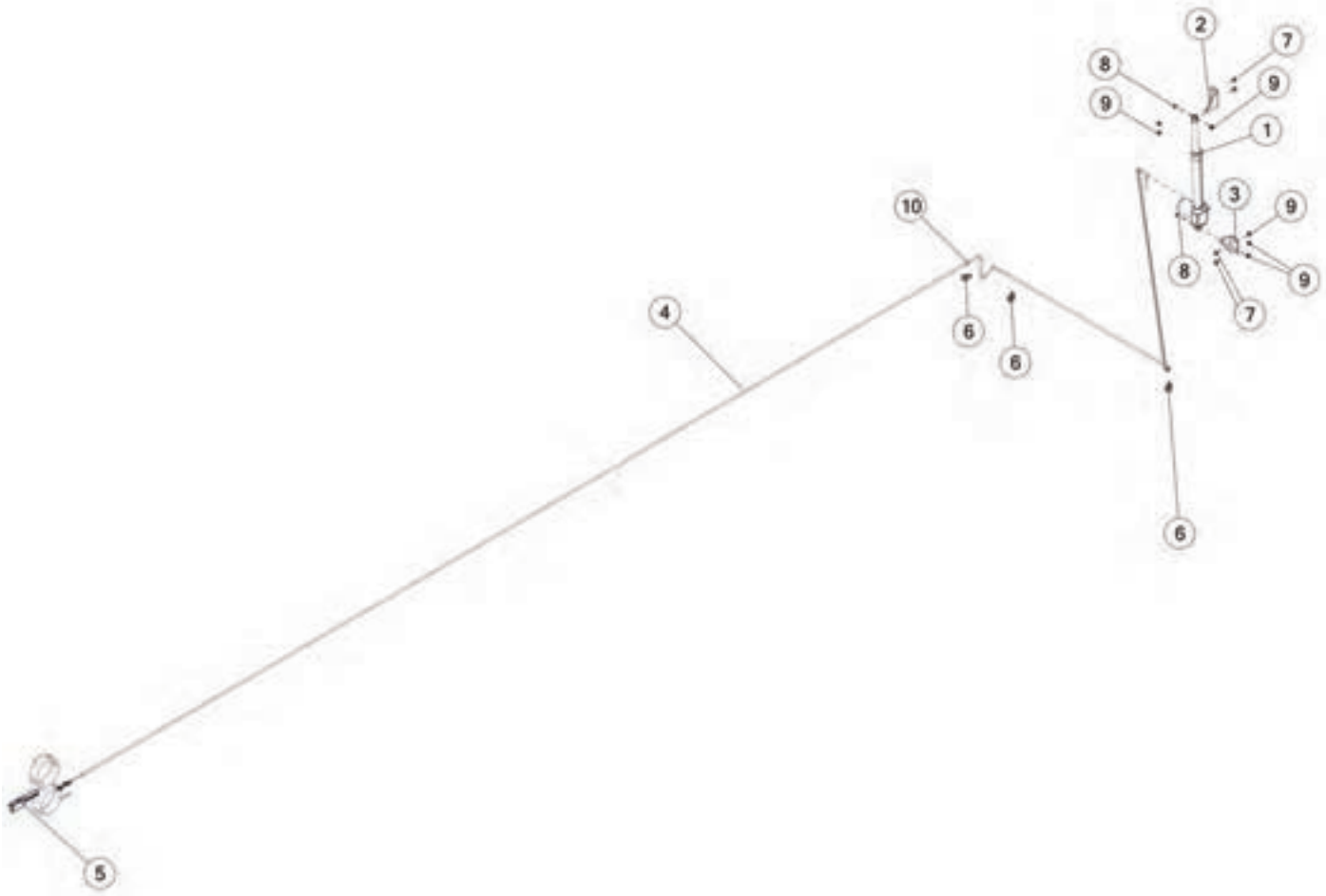




FIGURE 34
OPTIONAL TDOSF40
SCREEN FILLER KIT

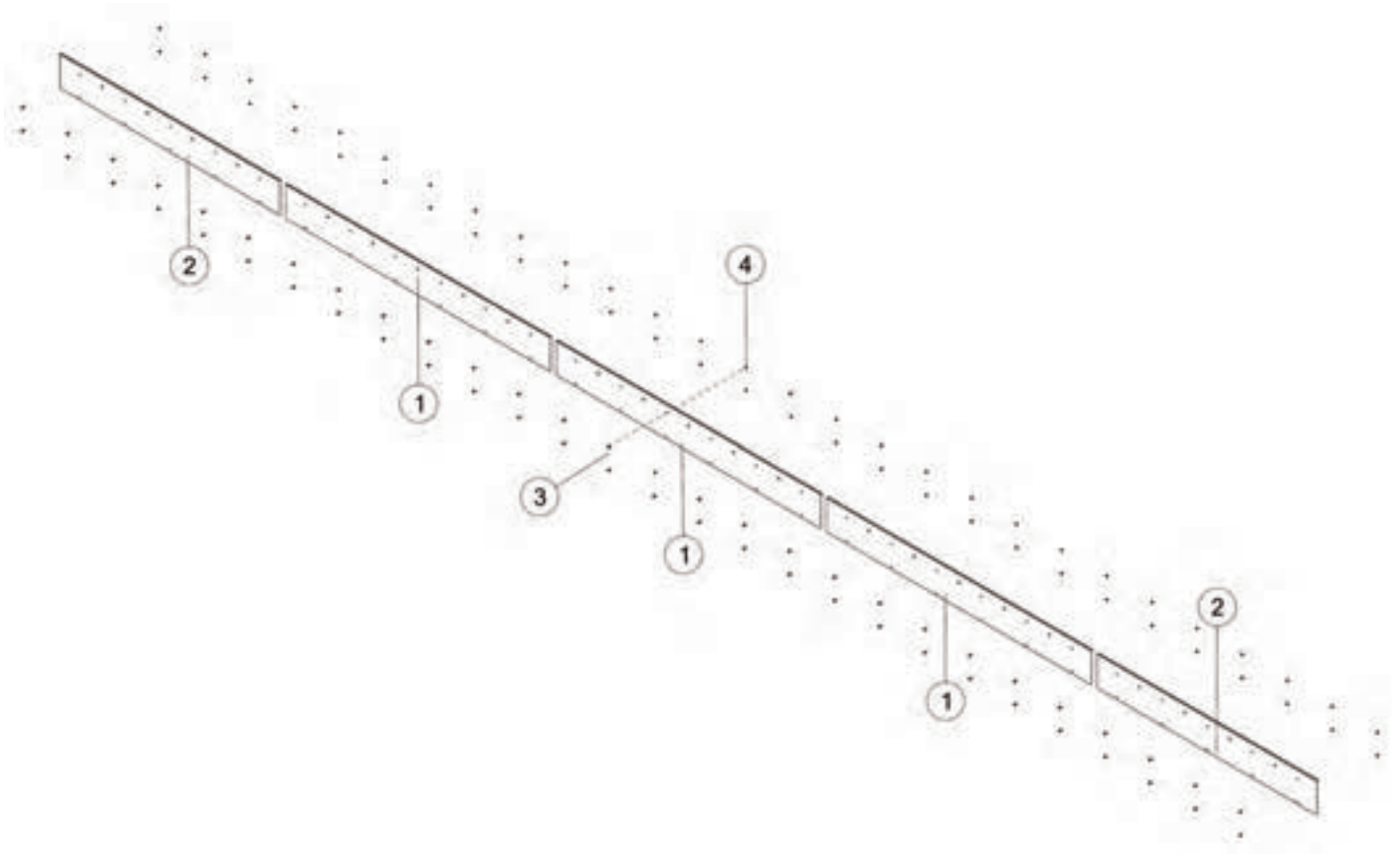




FIGURE 35
OPTIONAL TIRES
TWP425AW / TWP425SW

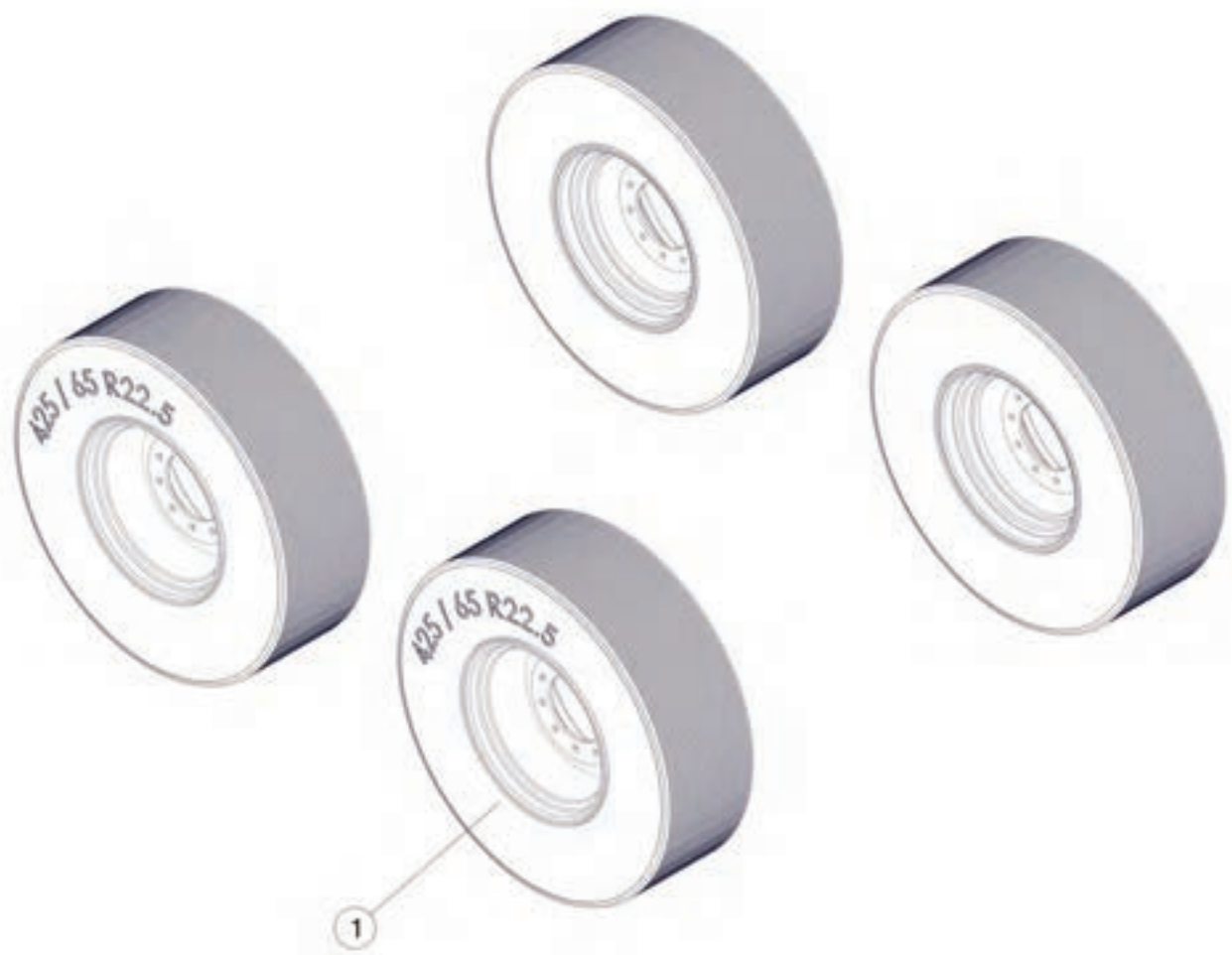




FIGURE 36
OPTIONAL TIRES
TWP455AW / TWP455SW

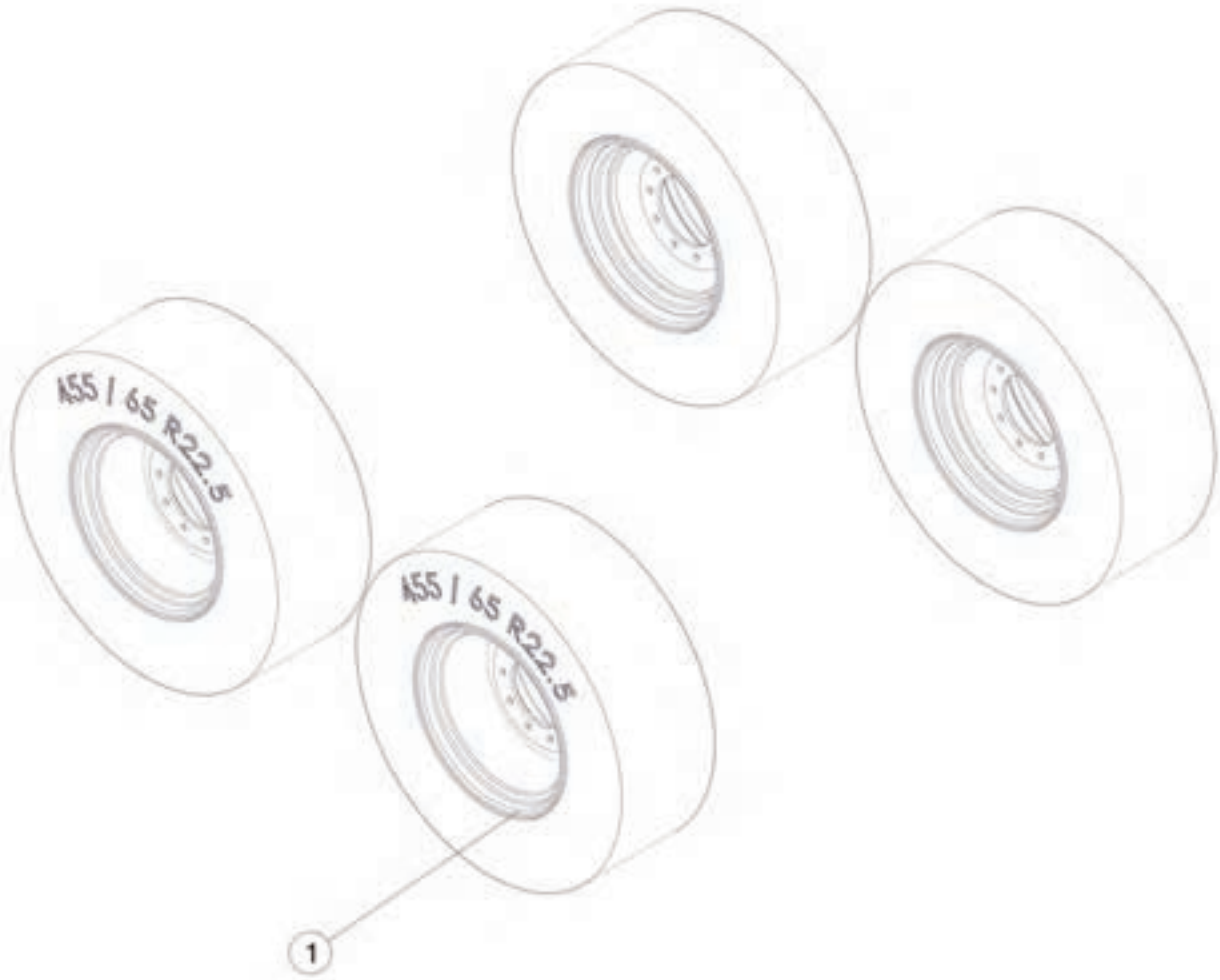




FIGURE 37
OPTIONAL TIRES
TWP825AW / TWP825SW

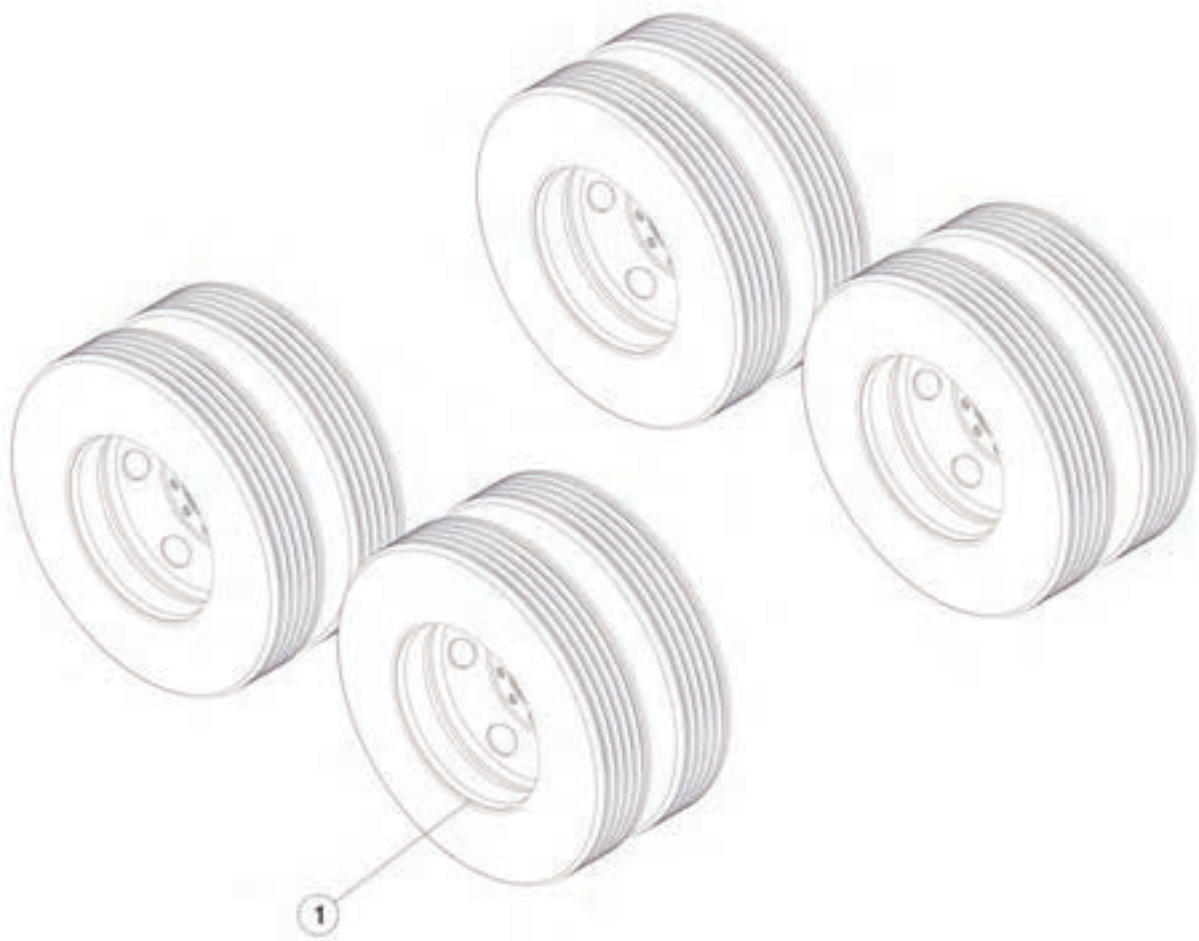
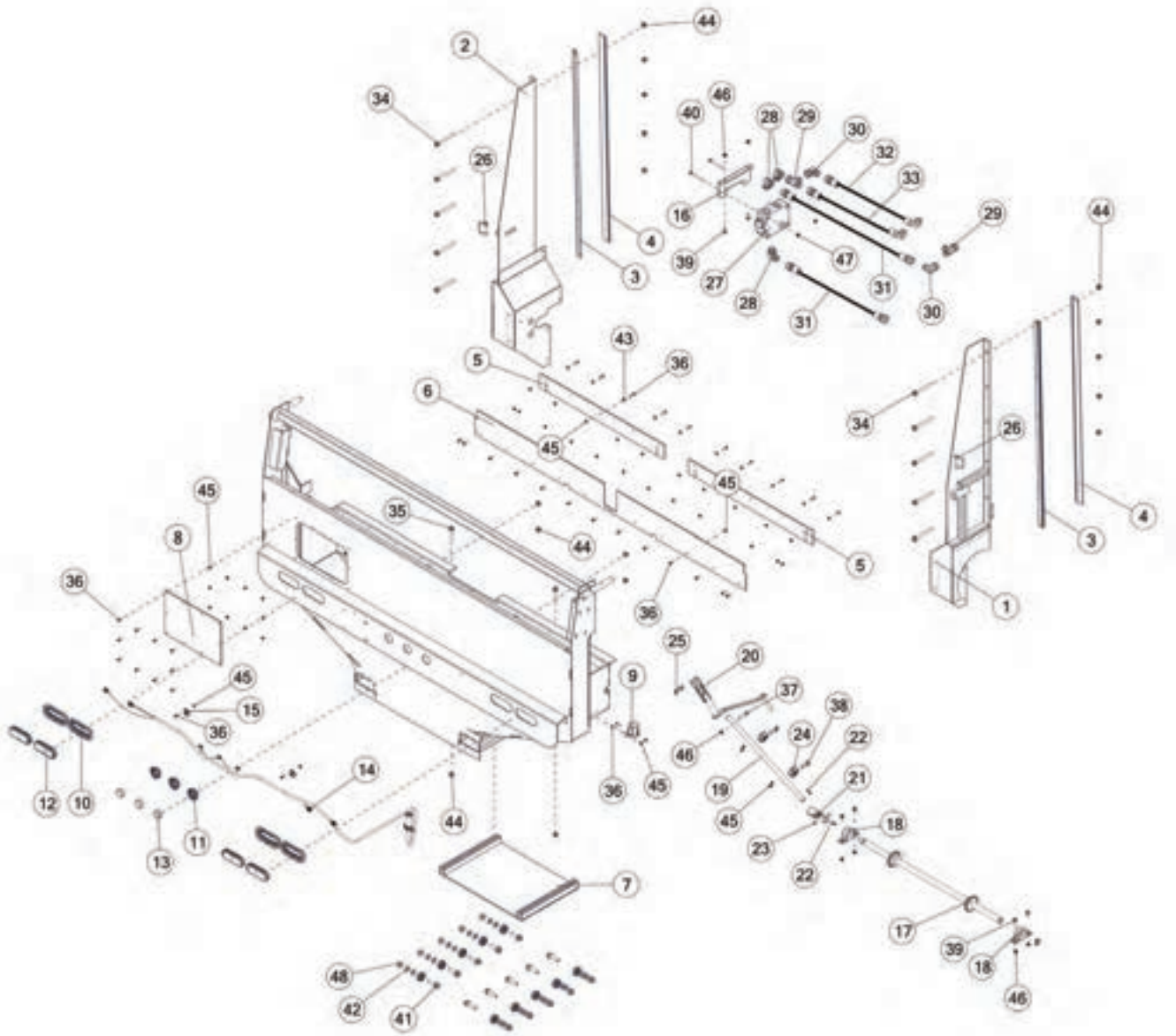




FIGURE 38
OPTIONAL TIRES
TWP825AW/SW





REF #	PART #	DESCRIPTION	QTY
1	95363	GRAIN HOPPER PANNEL, BOX, RH	1
2	95602	GRAIN HOPPER PANNEL, BOX, LH	1
3	97757	BRUSH HOLDER	2
4	0226MS04	2.00 IN BRUSH LONG	2
5	92159	HOPPER SEAL	2
6	97409	UPPER HOPPER SEAL	1
7	95479	DOOR, GRAIN HOPPER	1
8	GH7	HOPPER WINDOW	1
9	CHM38	PLUG STORAGE	1
10	S308	OVAL LIGHT GROMMET	4
11	BBS91	ROUND LIGHT GROMMET	3



FIGURE 39

OPTIONAL TDOGHK

GRAIN HOPPER KIT W/HYD FLOW CONTROL

REF #	PART #	DESCRIPTION	QTY
12	78671	RED LED LIGHT, OVAL	4
13	BBS92	MARKER LIGHT, RED ROUND	3
14	97785	HARNES, GRAIN KIT	1
15	HGV162	RUBBER WIRE HOLDER, 1/2	2
16	02266G02	FLOW CONTROL MOUNT	1
17	97789	SHAFT, GRAIN HOPPER DOOR	1
18	12N36	BRG, PILLOW BLOCK 1.25in	2
19	97429	SHAFT	1
20	95452	CRANK, GRAIN HOPPER	1
21	96614	U-JOINT	1
22	S135	SQUARE KEY, 1/4 X 1-1/4	2
23	YSKP12025	SET SCREW, SOCKET, KNURL CUP PT, 3/8-16 X 3/8	2
24	CHM286	UBE CLAMP CUSHIONS, 1	2
25	DWM324	LYNCH PIN	1
26	DWM191	SNAPPER PIN	2
27	BBS51	FLOW CONTROL	1
28	BBS52	FITTING, 90, 16JIC X 16ORB	3
29	CHM182	FITTING, TEE, 16JIC X 16JIC X 16JIC	2
30	8021	FITTING 90, 16 JIC, 16JIC	2
31	BBSTMS24	HYD HOSE, 12 X 65 IN	2
32	78661	HYD HOSE, 12 X 96.5 IN	1
33	BBSTMS26	HYD HOSE, 12 X 26 IN	1
34	YBFB16550	BOLT FLG, 1/2 X 5-1/2 G5	10
35	YBFB16400	BOLT FLG, 1/2 X 4 G5	2
36	YBFB08100	BOLT FLG, 1/4 X 1 G5	37
37	YBFB12225	BOLT FLG, 3/8 X 2-1/4 G5	1
38	YBFB08200	BOLT FLG, 1/4 X 2 G5	4
39	YBFB12003	BOLT FLG, 3/8 X 1 G5	6
40	YBFB10400	BOLT FLG, 5/16 X 4 G8	2
41	YBFB20250	BOLT FLG, 5/8 X 2-1/2 G5	10
42	YWFL20010	WASHER, FLAT, 5/8 SAE GR 8 YELLOW ZINC	20
43	YWFL08005	WASHER, FLAT, 1/4 USS	10
44	YNFG16003	NUT FLG, 1/2 GF	16
45	YNFG08010	NUT FLG, 1/4 GF	41
46	YNFG12006	NUT FLG, 3/8 GF	7
47	YNFG10005	NUT FLG, 5/16 GF	2
48	YNFG20005	NUT, FLG, 5/8-11, LKTL, F, ZC	20







Manufactured By:
H&S MANUFACTURING CO., INC.
2608 S. HUME AVE. MARSHFIELD, WI 54449
(715) 387-3414 | hsmfgco.com

