

# **H&S PARTS BOOK**

## **TD26TM/TD26CM**



Revision #02  
Starting Ser. #710010

Part #76906  
HSMFG0417

**P.O. BOX 768, MARSHFIELD, WI 54449**  
**(715) 387-3414 FAX (715) 384-5463**  
**[www.hsmfgco.com](http://www.hsmfgco.com)**

# CONTENTS

Instructions for Ordering Parts - About Improvements .....	1
Figure 1 - Body Panels.....	2-3
Figure 2 - Front Window & Components .....	4-5
Figure 3 - Front Panels & Components.....	6-7
Figure 4 - Floor & Components .....	8-9
Figure 5 - Front Idler Shaft Assembly .....	10-11
Figure 6 - Rear Idler Shaft Assembly .....	12-13
Figure 7 - Drive Sprocket Assembly (Right Side) .....	14-15
Figure 8 - Drive Sprocket Assembly (Left Side) .....	16-17
Figure 9 - Hydraulics.....	18-19
Figure 10 - Rear Transport Lighting.....	20-21
Figure 11 - Transport Lighting.....	22-23
Figure 12 - Optional Barn Doors Air .....	24-25
Figure 13 - Optional Grain Kit .....	26-27
Figure 14 - Optional Flow Control Kit .....	28-29
Figure 15 - Optional Air Valve For Gate Delay.....	30-31
Figure 16 - Optional Air Gate Delay .....	32-33
Figure 17 - Optional Top Pivot Rear Door W/HYD. Gate Delay.....	34-35
Figure 18 - Optional Hydraulic Cylinder Gate Delay .....	36-37
Parts Notes.....	38

# **INSTRUCTIONS FOR ORDERING PARTS**

All service parts should be ordered through your authorized H&S dealer. They will be able to give you faster service if you will provide them with the following

1. Model & Serial number is located on the left, rear main frame of your unit.
2. All reference to left or right apply to the machine as viewed from the rear.
3. Parts should not be ordered from illustration only. Please order by complete part number.
4. If your dealer has to order parts - give shipping instructions:  
VIA truck - large pieces (please specify local truck lines)  
VIA United Parcel Service (include full address)

<b>H&amp;S MFG. CO. INC.</b>	
<b>MARSHFIELD, WIS.</b>	
MOD. NO.	<input type="text"/>
SER. NO.	<input type="text"/>
DESCR.	<input type="text"/>

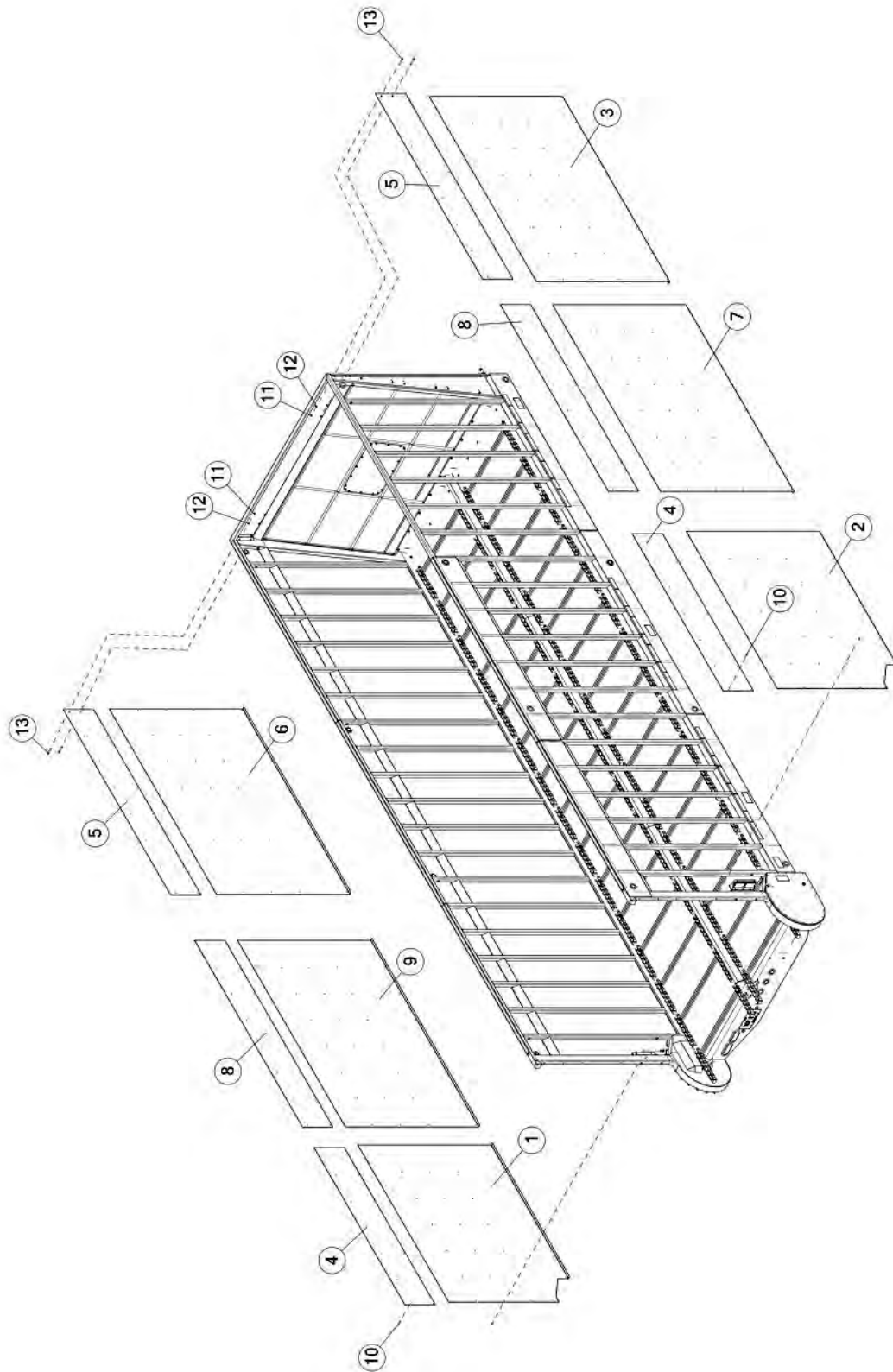
PLEASE RECORD NUMBERS FOR YOUR UNIT FOR QUICK REFERENCE

## **ABOUT IMPROVEMENTS**

H&S IS CONTINUALLY STRIVING TO IMPROVE IT'S PRODUCTS

We must therefore, reserve the right to make improvements or changes whenever it becomes practical to do so without incurring any obligation to make changes or additions to the equipment previously sold.

# FIGURE 1 BODY PANELS



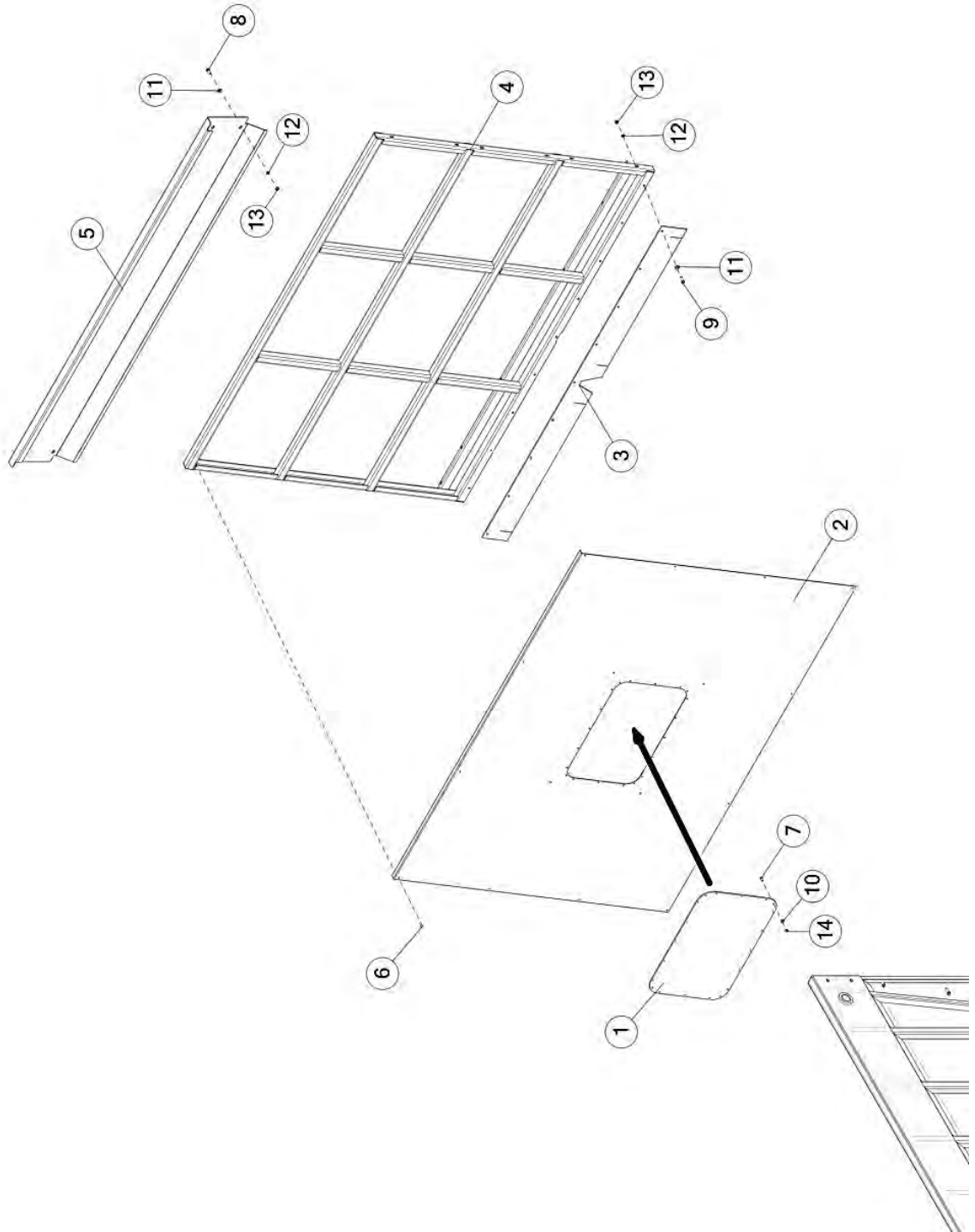
# FIGURE 1

## BODY PANELS

<u>ITEM</u>	<u>QTY</u>	<u>PART #</u>	<u>DESCRIPTION</u>
1	1	BBS25	SIDE BACK LH
2	11	BBS26	SIDE BACK RH
3	2	BBS27	SIDE FRONT RH
4	2	BBS70	SIDE EXTENSION REAR
5	1	BBS71	SIDE EXTENSION FRONT
6	1	BBST16G05	SIDE FRONT LH
7	1	BBST16G07	SIDE A
8	2	BBST16G11	SIDE EXTENSION CENTER
9	1	BBST16G15	SIDE B
10	212	1044	HUCK RIVET, GRIP, SS, 1/4 DIA, X .625
11	4	YNHX12005	NUT HEX, 3/8
12	4	YWLO12005	WASHER LOCK, 3/8
13	4	YBHH12120	BOLT HEX, 3/8 X 3 G5

# FIGURE 2

## FRONT WINDOW & COMPONENTS



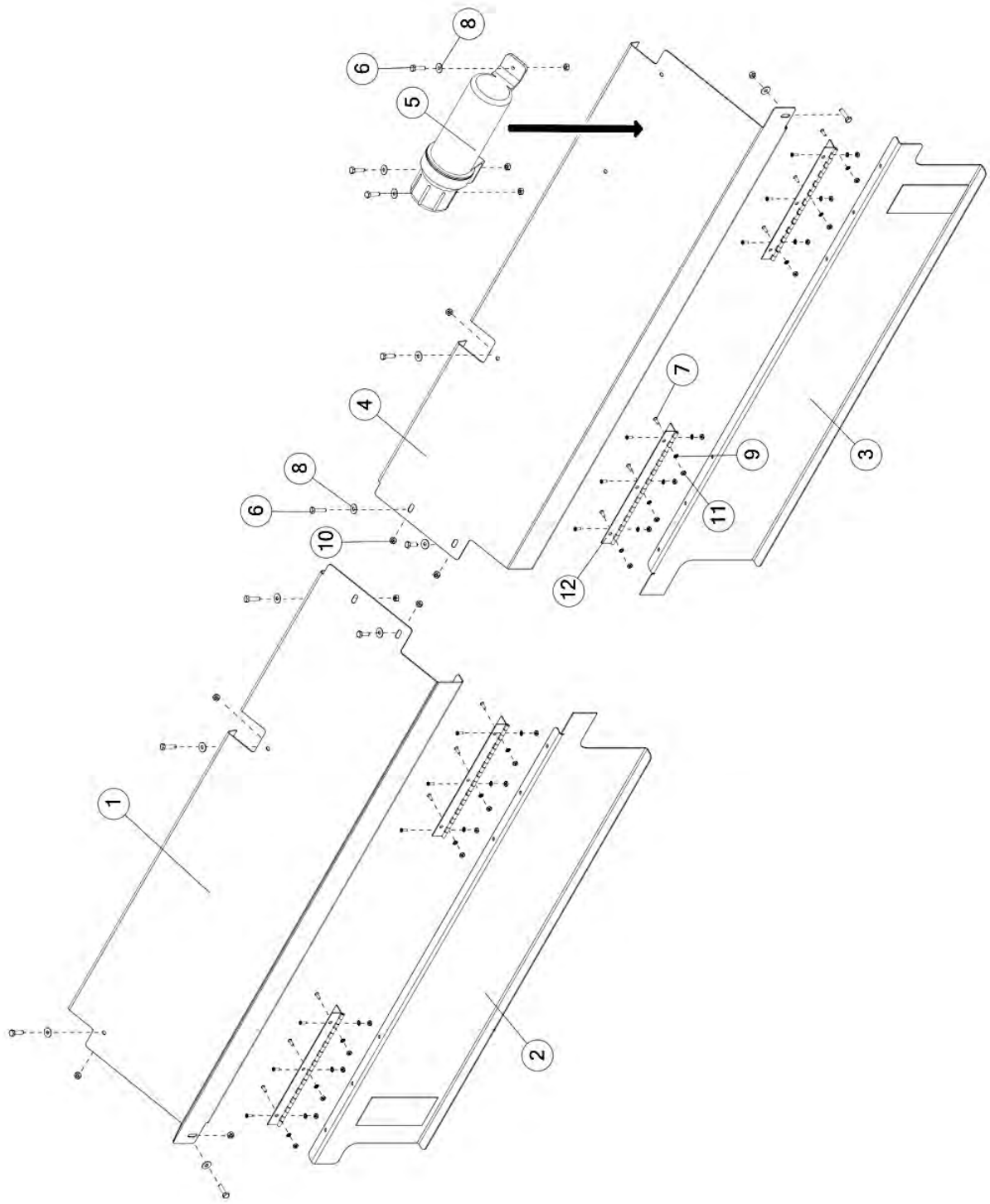
**FIGURE 2**  
**FRONT WINDOW & COMPONENTS**

<b><u>ITEM</u></b>	<b><u>QTY</u></b>	<b><u>PART #</u></b>	<b><u>DESCRIPTION</u></b>
1	1	55839	WINDOW WITH HOLES
2	1	55840	FRONT PANEL
3	1	BBS48	FRONT SEAL RUBBER
4	1	BBS46	SLANT PANEL FRAME
5	1	023010G01	FRONT PANEL UPPER
6	12	1043	HUCK RIVET, GRIP, SS, 1/4 DIA, X .325
7	20	YBHH08100	BOLT HEX, 1/4 X 3/4 G5
8	4	YBHH12010	BOLT HEX, 3/8 X 1 G5
9	9	YBHH12035	BOLT HEX, 3/8 X 1-1/4 G5
10	20	YWFL08005	WASHER FLAT, 1/4 USS
11	4	YWFL12005	WASHER FLAT, 3/8 USS
12	13	YWLO12005	WASHER LOCK, 3/8
13	13	YNHX12005	NUT HEX , 3/8 G2
14	20	YNNY08005	NUT HEX , NYLON LOCKNUT, 1/4



# FIGURE 3

## FRONT PANELS & COMPONENTS



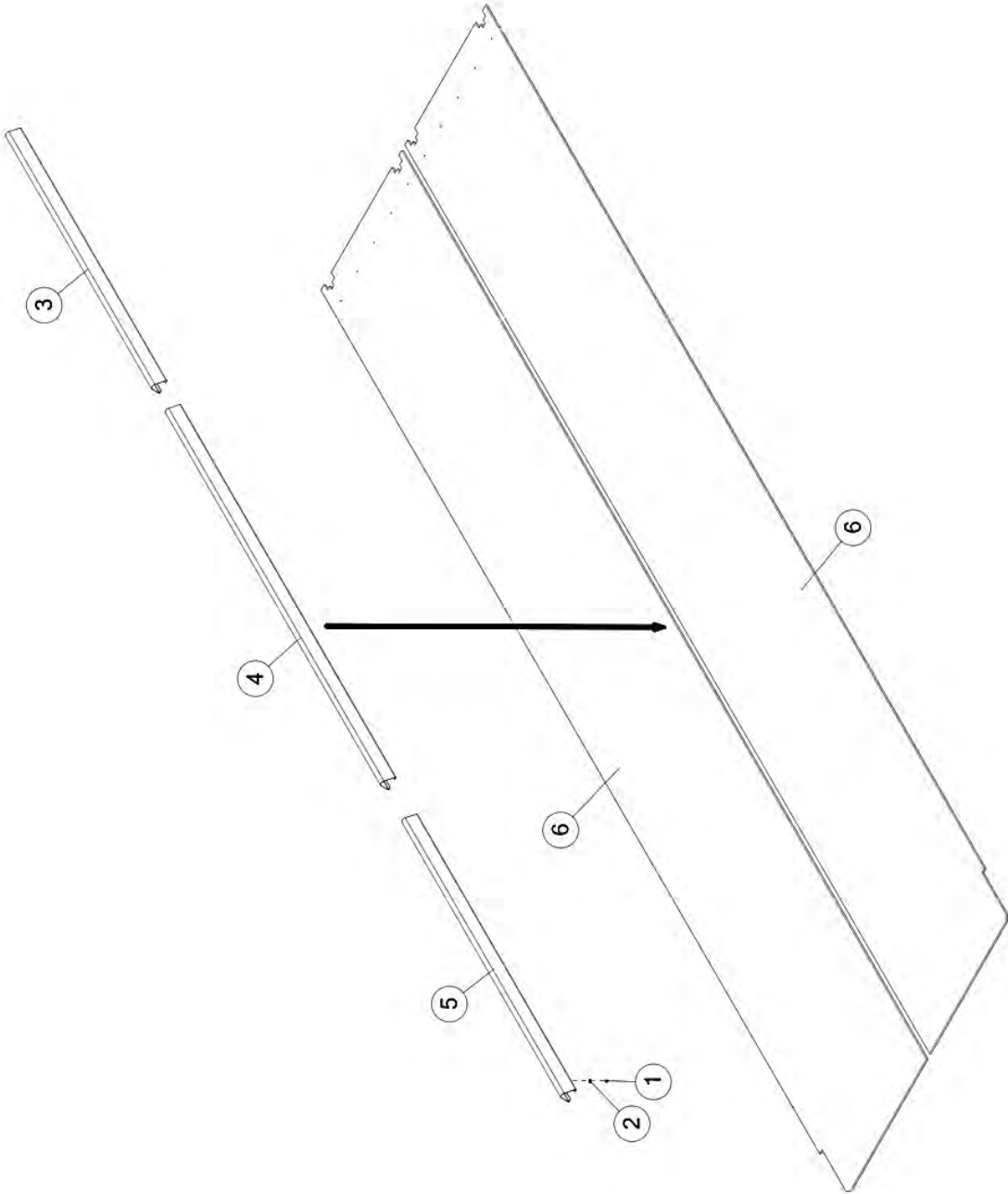


## FIGURE 3

### FRONT PANELS & COMPONENTS

<u>ITEM</u>	<u>QTY</u>	<u>PART #</u>	<u>DESCRIPTION</u>
1	1	BBS72	FRONT SHIELD
2	1	BBS73	FRONT SHIELD BOTTOM
3	1	BBST14G20	FRONT SHIELD BOTTOM LH
4	1	BBST14G28	FRONT SHIELD SLANT LH
5	1	S522	MANUAL HOLDER
6	12	YBHH08010	BOLT HEX, 1/4 X 1 G5
7	24	YSFM62005	FLAT HEAD CAP SCREW, CROSS #8 X 1/2
8	12	YWFL08005	WASHER FLAT, 1/4 USS
9	24	YWSI62005	WASHER LOCK, STAR, EXT, #8 ZINC
10	12	YNHX08005	NUT HEX, 1/4
11	21	YNHX62005	NUT HEX, MACHINE, #8
12	4	BBSTMS15	SS CONTINUOUS HINGE FLAT

**FIGURE 4**  
**FLOOR & COMPONENTS**

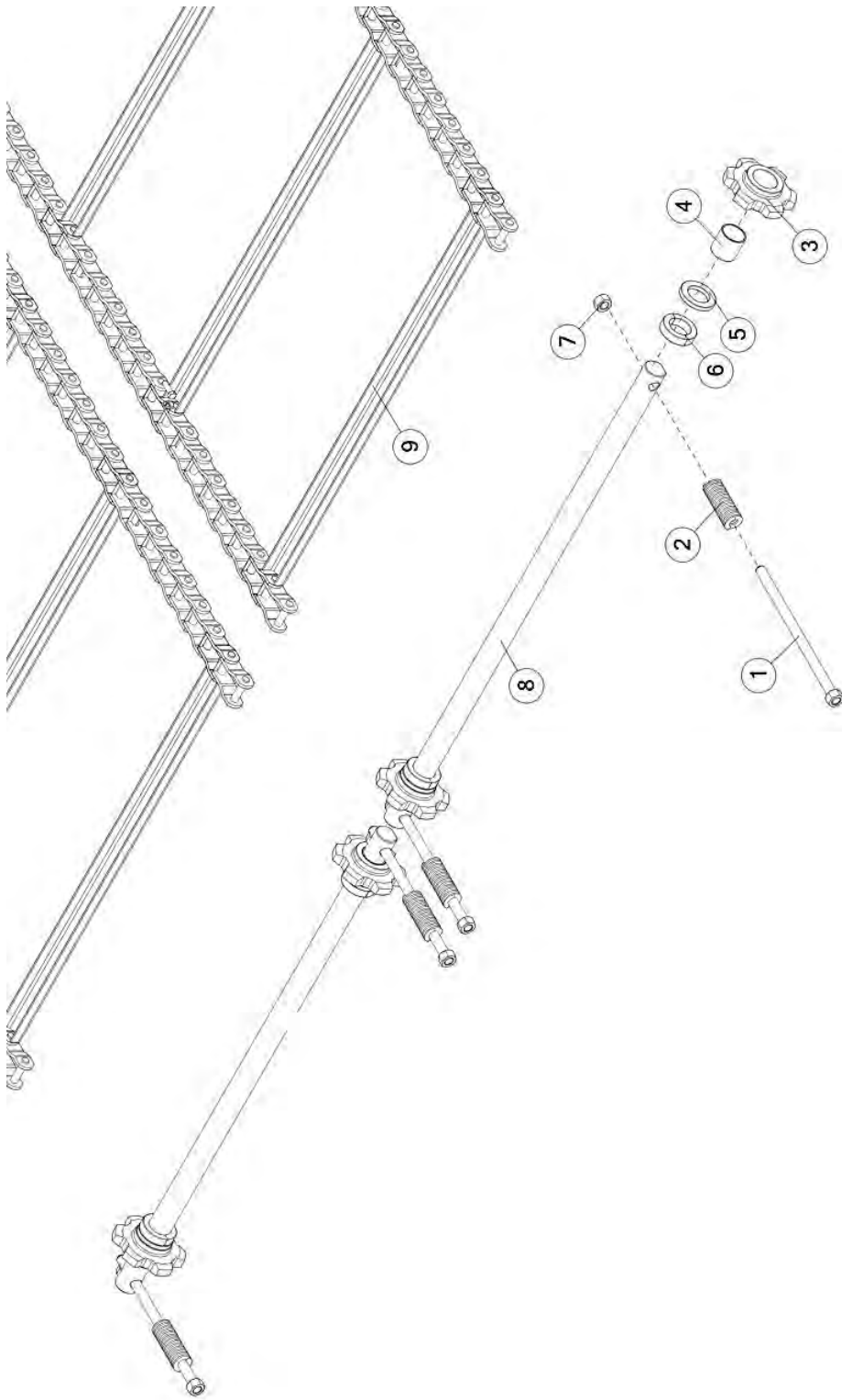


**FIGURE 4**  
**FLOOR & COMPONENTS**

<b><u>ITEM</u></b>	<b><u>QTY</u></b>	<b><u>PART #</u></b>	<b><u>DESCRIPTION</u></b>
1	9	YNNY12005	NUT HEX, NYLON LOCKNUT, 3/8
2	9	YWFL12005	WASHER FLAT, 3/8 USS
3	1	72812	FRONT COVER
4	1	72815	CENTER COVER
5	1	72871	REAR COVER
6	2	TD26PL01	POLY FLOOR

# FIGURE 5

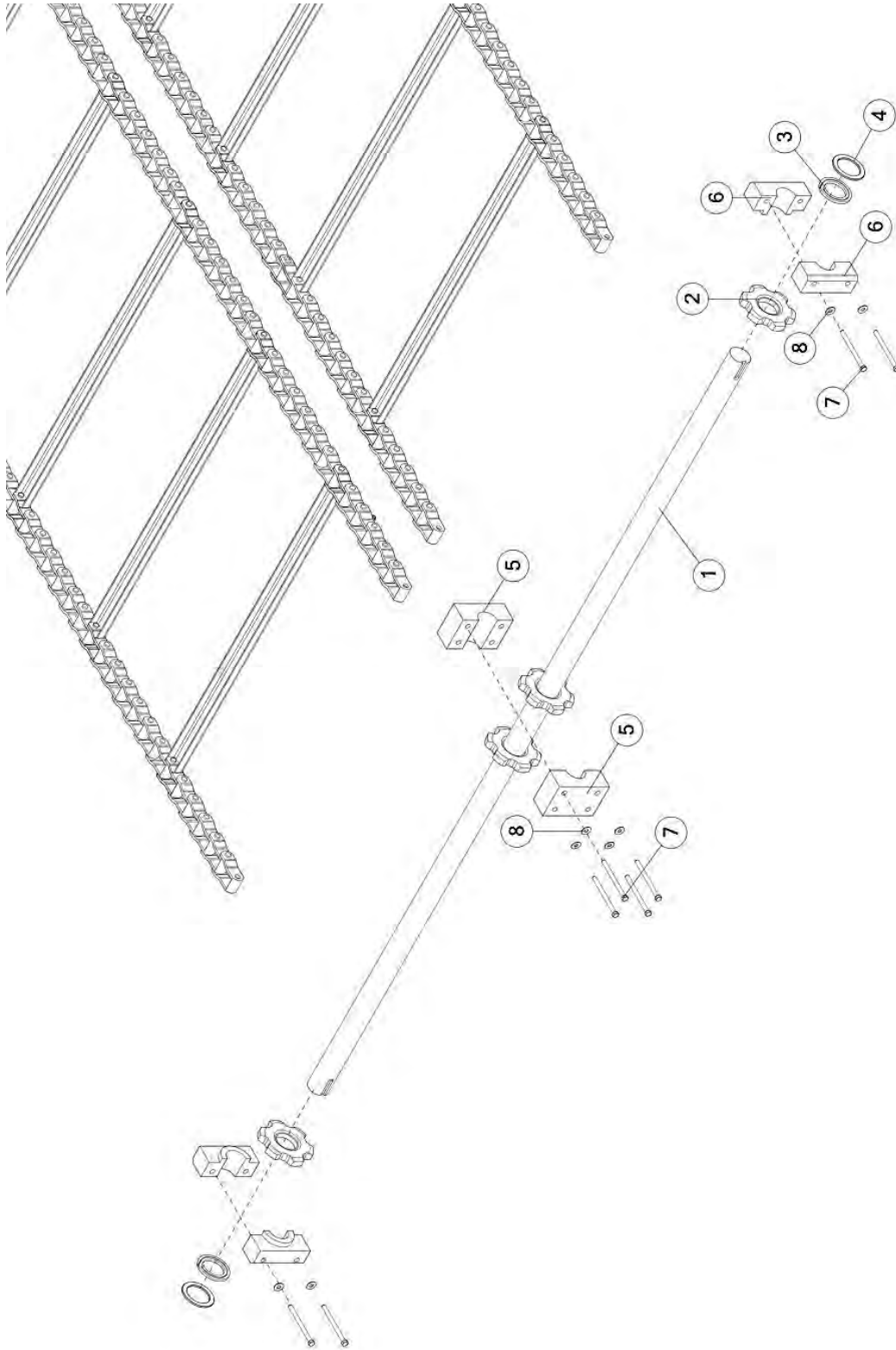
## FRONT IDLER SHAFT ASSEMBLY



**FIGURE 5**  
**FRONT IDLER SHAFT ASSEMBLY**

<b><u>ITEM</u></b>	<b><u>QTY</u></b>	<b><u>PART #</u></b>	<b><u>DESCRIPTION</u></b>
1	4	BBS34	TIGHTENER ROD
2	4	BBS35	COMPRESSION SPRING
3	4	BBSTSH07	IDLER SPROCKET (6T)
4	4	RGT3	BUSHING TANDEM, 1-3/4 ID X 2 OD X 2
5	4	BBSTPL05	IDLER SPROCKET POLY SPACER
6	4	8340	CLAMP COLLAR
7	4	YNHX24004	NUT HEX, 3/4 G5
8	2	BBS29	IDLER SHAFT FRONT
9	2	8235	APRON CHAIN (240P)

**FIGURE 6**  
**REAR IDLER SHAFT ASSEMBLY**



**FIGURE 6**  
**REAR IDLER SHAFT ASSEMBLY**

<b><u>ITEM</u></b>	<b><u>QTY</u></b>	<b><u>PART #</u></b>	<b><u>DESCRIPTION</u></b>
1	1	BBSTWE04	DRIVE SHAFT
2	4	BBSTSH04	SPROCKET (6T)
3	2	BBSTMS23	ROPE SEAL
4	2	BBSTTU27	SEAL RETAINER PLATE
5	2	BBS62	DRIVE SHAFT BEARING CENTER
6	4	BBS63	OUTER DRIVESHAFT BEARING
7	8	YBHH12200	BOLT HEX, 3/8 X 5 G5
8	8	YWFL12005	WASHER FLAT, 3/8 USS





## FIGURE 7

### DRIVE SPROCKET ASSEMBLY (RIGHT SIDE)

<u>ITEM</u>	<u>QTY</u>	<u>PART #</u>	<u>DESCRIPTION</u>
1	1	BBST3G19	SPROCKET COVER
2	1	BBSTMS13	SPROCKET COVER GASKET
3	1	BBS60	DRIVEN SPROCKET
4	1	BBSTHF19	BBST SEAL PLATE
5	1	BBSTMS23	BBST ROPESEAL
6	1	BBSTTU27	BBST SEAL RETAINER PLATE
7	1	BBS9	TIGHTENER BAR
8	1	BBS10	POLY TIGHTENER
9	1	BBS61	DRIVE SPROCKET
10	1	GM410	EXTENSION SPRING
11	1	YBTE08005	TURND EYE BOLT, 1/4 X 1 FULL THREAD
12	1	YBTE10040	TURND EYE BOLT, 5/16 X 4
13	1	56092	THROUGH-WALL FITTING, 1/4 NPT
14	1	G65	PIPE PLUG, .38 NPT
15	1	BBS59	KEY, .500 X 2 (HARDENED)
16	1	G23A	SQUARE KEY, 5/16 X 1-1/4
17	23	YBHH08100	BOLT HEX, 1/4 X 3/4 G5
18	1	YBHH16080	BOLT HEX, 1/2 X 2-1/2 G5
19	1	YBHH16115	BOLT HEX, 1/2 X 3-1/2 G5
20	8	YSFM08005	FLAT HEAD SOCKET CAP SCREW, 1/4 X 1/2
21	23	YWLO08005	WASHER LOCK, 1/4
22	8	YNHX08005	HEX NUT, 1/4
23	1	YNHX16005	HEX NUT, 1/2 G2
24	1	YNNY10005	HEX NUT, NYLON LOCKNUT, 5/16
25	1	YWFL10005	WASHER FLAT, 5/16 USS
26	1	BFR70	VENT PLUG 3/8
27	4	YSKP12010	SET SCREW, SOCKET, KNURLED CUP PT, 3/8 X 1/2
28	1	1042	ROLLER CHAIN, (#80H X 81P)
29	1	IFB17	CONNECTOR LINK (#80H)

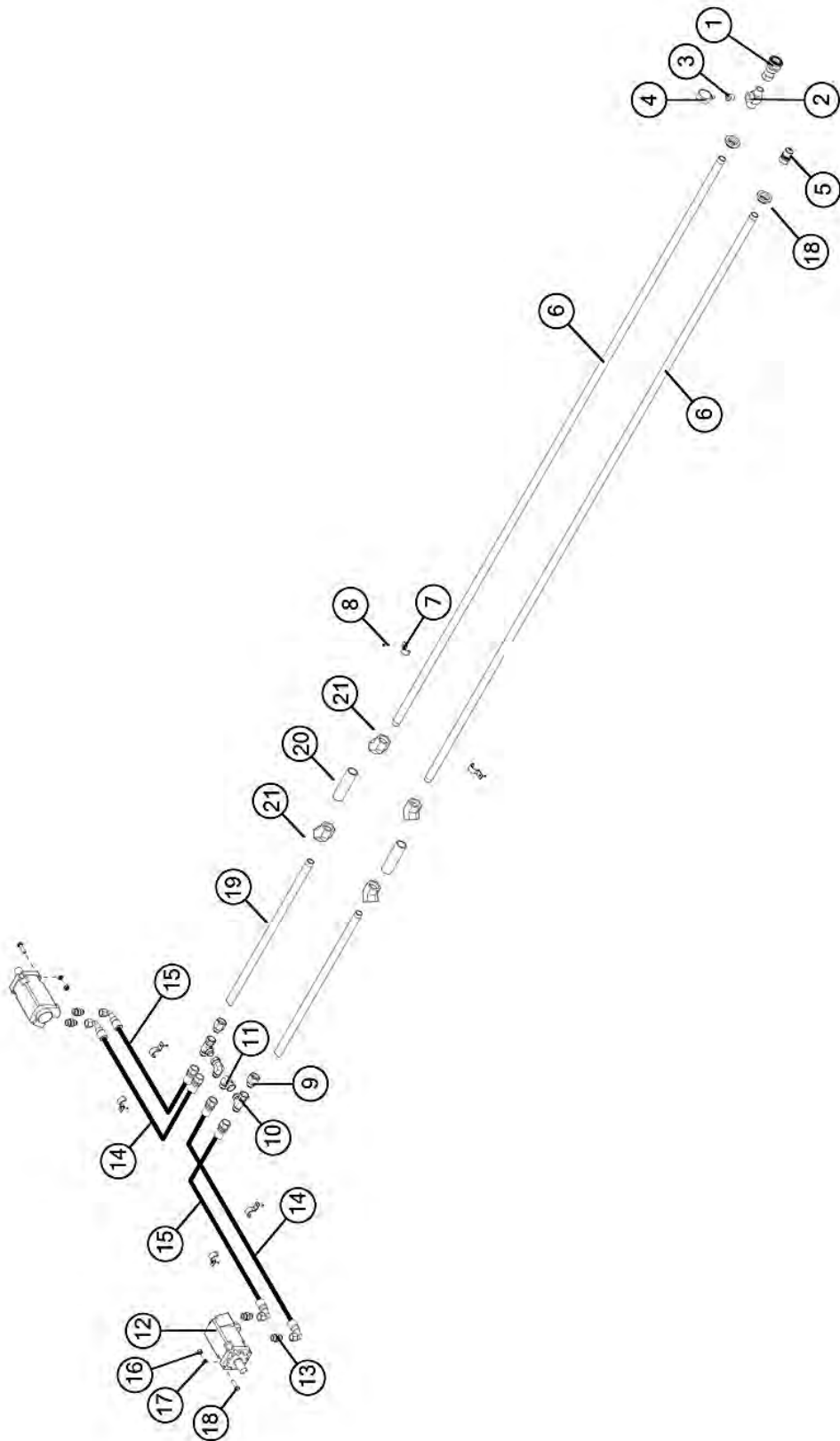


## FIGURE 8

### DRIVE SPROCKET ASSEMBLY (LEFT SIDE)

<u>ITEM</u>	<u>QTY</u>	<u>PART #</u>	<u>DESCRIPTION</u>
1	1	BBSTAS14	SPROCKET COVER LH
2	1	BBSTMS13	SPROCKET COVER GASKET
3	1	BBS60	DRIVEN SPROCKET
4	1	BBSTHF19	BBST SEAL PLATE
5	1	BBSTMS23	BBST ROPE SEAL
6	1	BBSTTU27	BBST SEAL RETAINER PLATE
7	1	BBS9	TIGHTENER BAR
8	1	BBS10	POLY TIGHTENER
9	1	BBS61	DRIVE SPROCKET
10	1	GM410	EXTENSION SPRING
11	1	YBTE08005	TURNED EYE BOLT, 1/4 X 1 FULL THREAD
12	1	YBTE10040	TURNED EYE BOLT, 5/16 X 4
13	1	56092	THROUGH-WALL FITTING, 1/4 NPT
14	1	G65	PIPE PLUG, .38 NPT
15	1	BBS59	KEY, .500 X 2 (HARDENED)
16	1	G23A	SQUARE KEY, 5/16 X 1-1/4
17	23	YBHH08100	BOLT HEX, 1/4 X 3/4 G5
18	1	YBHH16080	BOLT HEX, 1/2 X 2-1/2 G5
19	1	YBHH16115	BOLT HEX, 1/2 X 3-1/2 G5
20	8	YSFM08005	FLAT HEAD SOCKET CAP SCREW, 1/4 X 1/2
21	23	YWLO08005	WASHER LOCK, 1/4
22	8	YNHX08005	NUT HEX, 1/4
23	1	YNHX16005	NUT HEX, 1/2 G2
24	1	YNNY10005	NUT HEX, NYLON LOCKNUT, 5/16
25	1	YWFL10005	WASHER FLAT, 5/16 USS
26	1	BFR70	VENT PLUG 3/8
27	4	YSKP12010	SET SCREW, SOCKET, KNURLED CUP PT, 3/8 X 1/2
28	1	1042	ROLLER CHAIN (80H X 81P)
29	1	IFB17	CONNECTOR LINK (#80H)

# FIGURE 9 HYDRAULICS

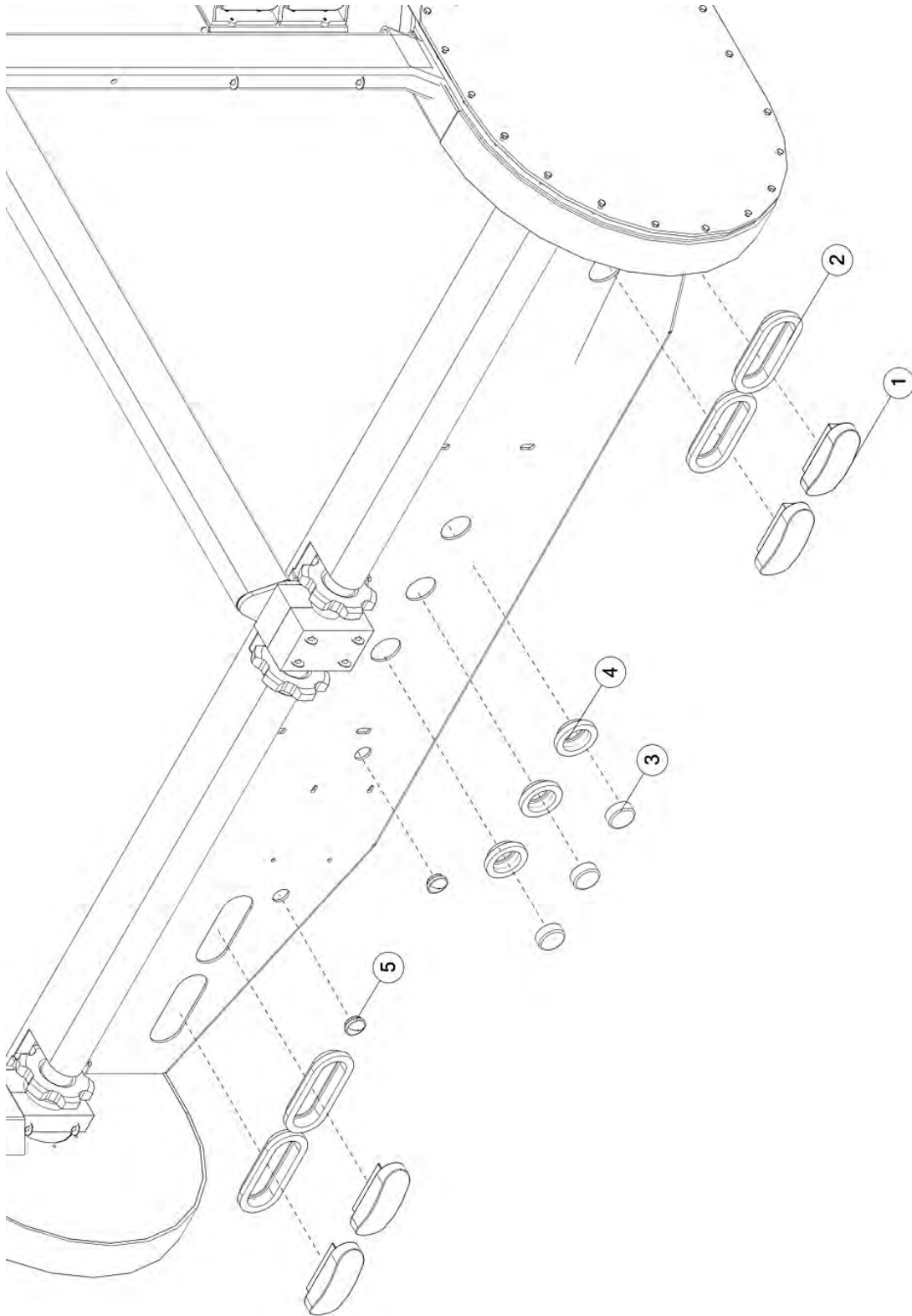


## FIGURE 9 HYDRAULICS

<u>ITEM</u>	<u>QTY</u>	<u>PART #</u>	<u>DESCRIPTION</u>
1	1	BBS31	QUICK COUPLER - FEMALE, 1.00
2	1	DWM113	SERVICE TEE
3	1	BBS37	BUSHING, 1 NPTF TO 1/4 NPTF
4	1	BBS33	4000 PSI GAUGE
5	1	BBS32	QUICK COUPLER - MALE, 1.00
6	2	BBSPT102	HYDRAULIC LINE
7	6	BBS86	PIPE CLAMP
8	6	YSDR66007	SELF DRILLING SCREW, HEX WASHER HEAD, #12 X 1-1/4
9	2	BBS65	FEMALE CONNECTOR
10	2	CHM182	SWIVEL NUT RUN TEE
11	2	8021	SWIVEL NUT ELBOW
12	2	33SV73	HYDRAULIC MOTOR
*	2	61053	HYDRAULIC MOTOR SEAL KIT
13	4	54085	HYDRAULIC LINE EXTENSION
14	2	BBSTMS17	HYDRAULIC HOSE, PRESSURE TO MOTOR
15	2	BBSTMS18	HYDRAULIC HOSE, MOTOR RETURN
16	8	YNSF16005	NUT FLANGE, 1/2
17	8	YBHH16055	BOLT HEX, 1/2 X 1-3/4 G5
18	2	BBS91	ROUND LIGHT GROMMET

# FIGURE 10

## REAR TRANSPORT LIGHTING





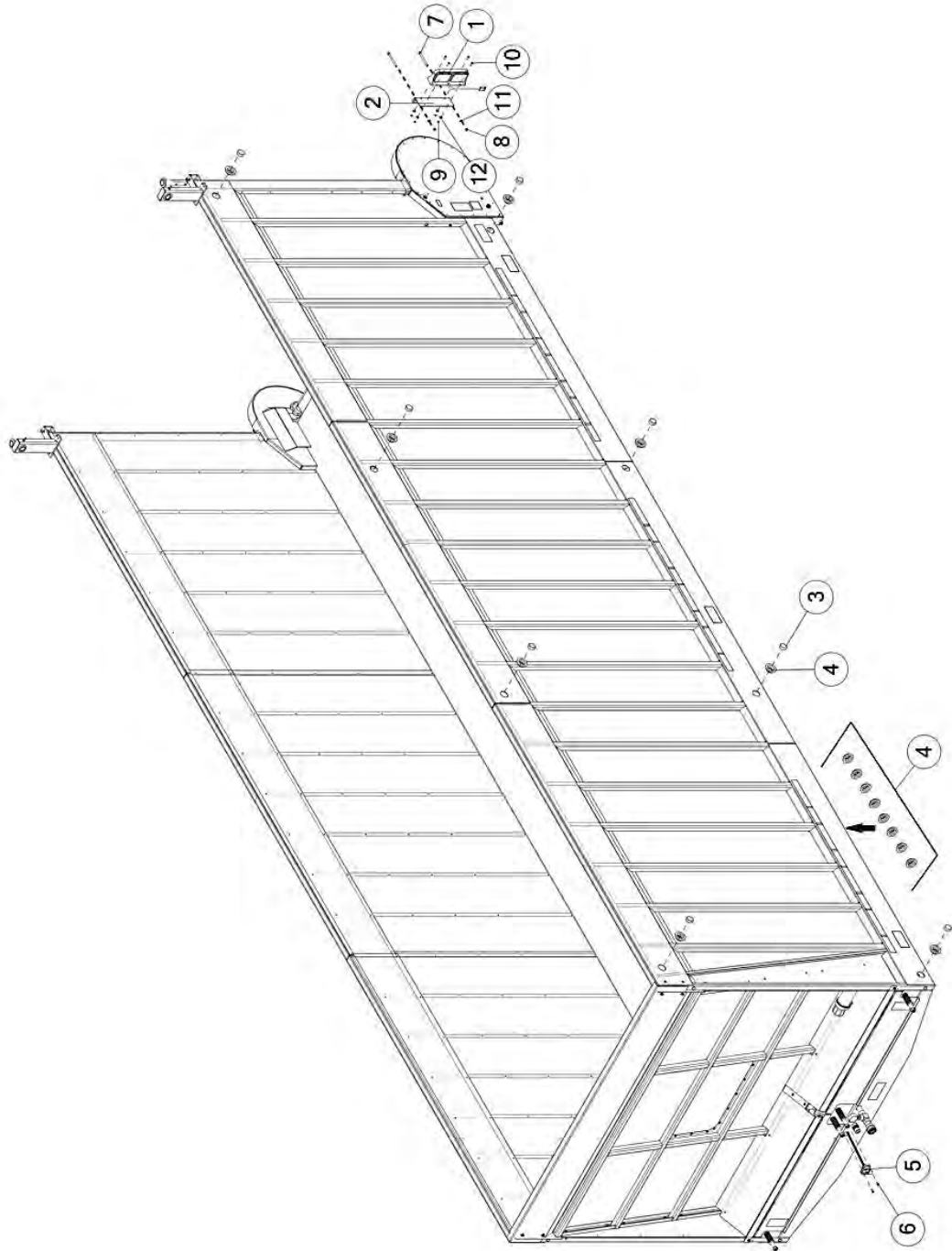
## **FIGURE 10**

### **REAR TRANSPORT LIGHTING**

<b><u>ITEM</u></b>	<b><u>QTY</u></b>	<b><u>PART #</u></b>	<b><u>DESCRIPTION</u></b>
1	1	S310	OVAL RED TAIL LIGHT
2	2	S308	OVAL LIGHT GROMMET
3	1	BBS92	RED ROUND MARKER LIGHT
4	3	BBS91	ROUND LIGHT GROMMET
5	1	BBS98	LICENSE LIGHT

# FIGURE 11

## TRANSPORT LIGHTING



## FIGURE 11

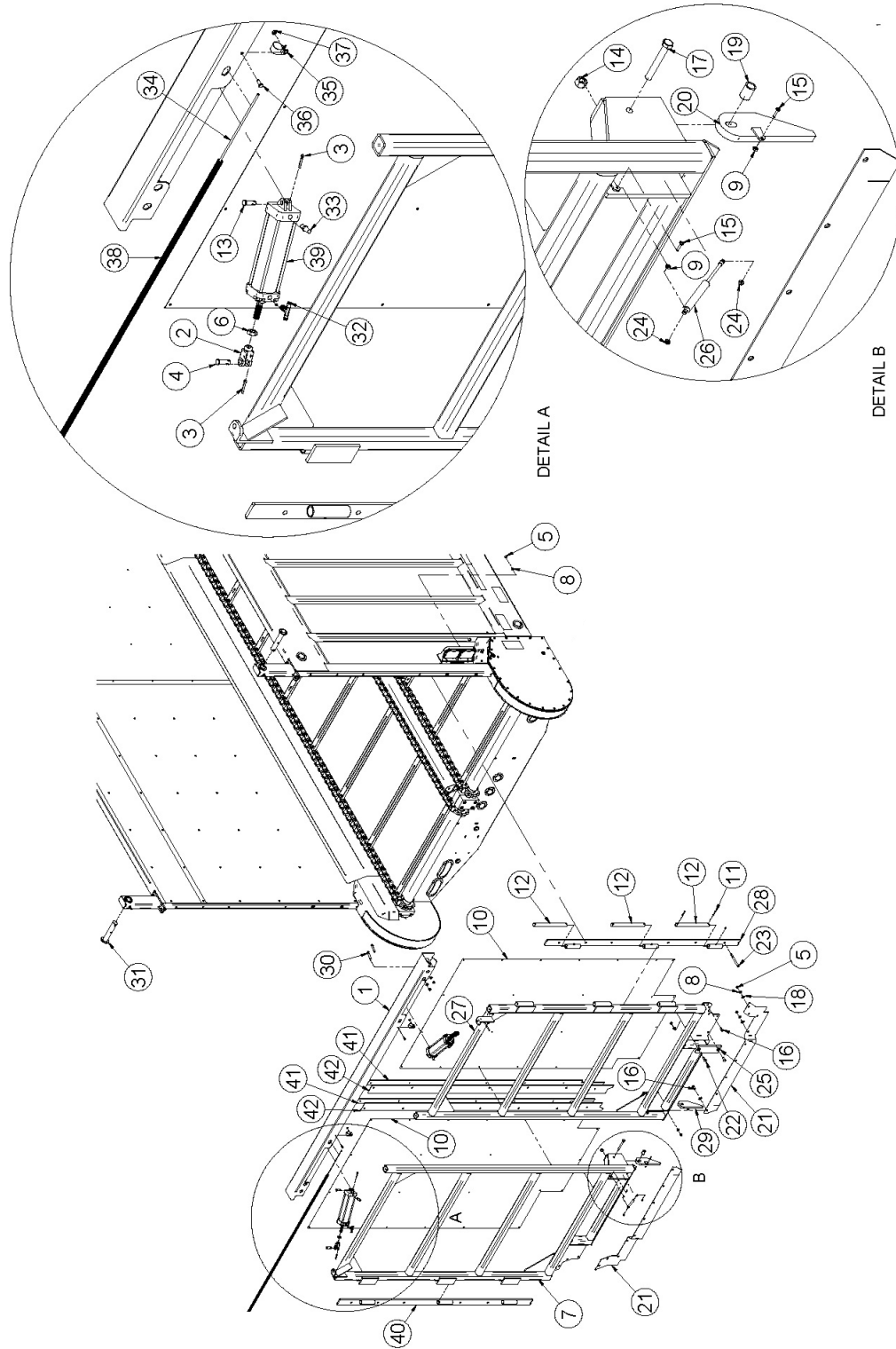
### TRANSPORT LIGHTING

<u>ITEM</u>	<u>QTY</u>	<u>PART #</u>	<u>DESCRIPTION</u>
1	1	TFM71	LED TAIL LIGHT LH
*	1	TFM72	LED TAIL LIGHT RH
2	2	BBST10G28	UPPER TAIL LIGHT MOUNT
3	16	BBS93	AMBER ROUND MARKER LIGHT
4	24	BBS91	ROUND LIGHT GROMMET
5	1	8236	TD26 WIRING HARNESS
6	6	YBHH08100	BOLT HEX, 1/4 X 3/4, G5
7	4	YBHH12200	BOLT HEX, 3/8 X 5, G5
8	4	YNHX12005	NUT HEX, 3/8
9	8	YNHX64005	NUT HEX, MACHINE, #10
10	8	YSPP64010	MACHINE SCREW, PAN HEAD PHILLIPS, #10 X 1
11	4	YWLO12005	WASHER LOCK, 3/8
12	8	YWSI64005	WASHER LOCK, STAR, INTERNAL/EXTERNAL, #10

**NOTE: \* MEANS NOT SHOWN**

# FIGURE 12

## OPTONAL BARN DOORS (AIR)



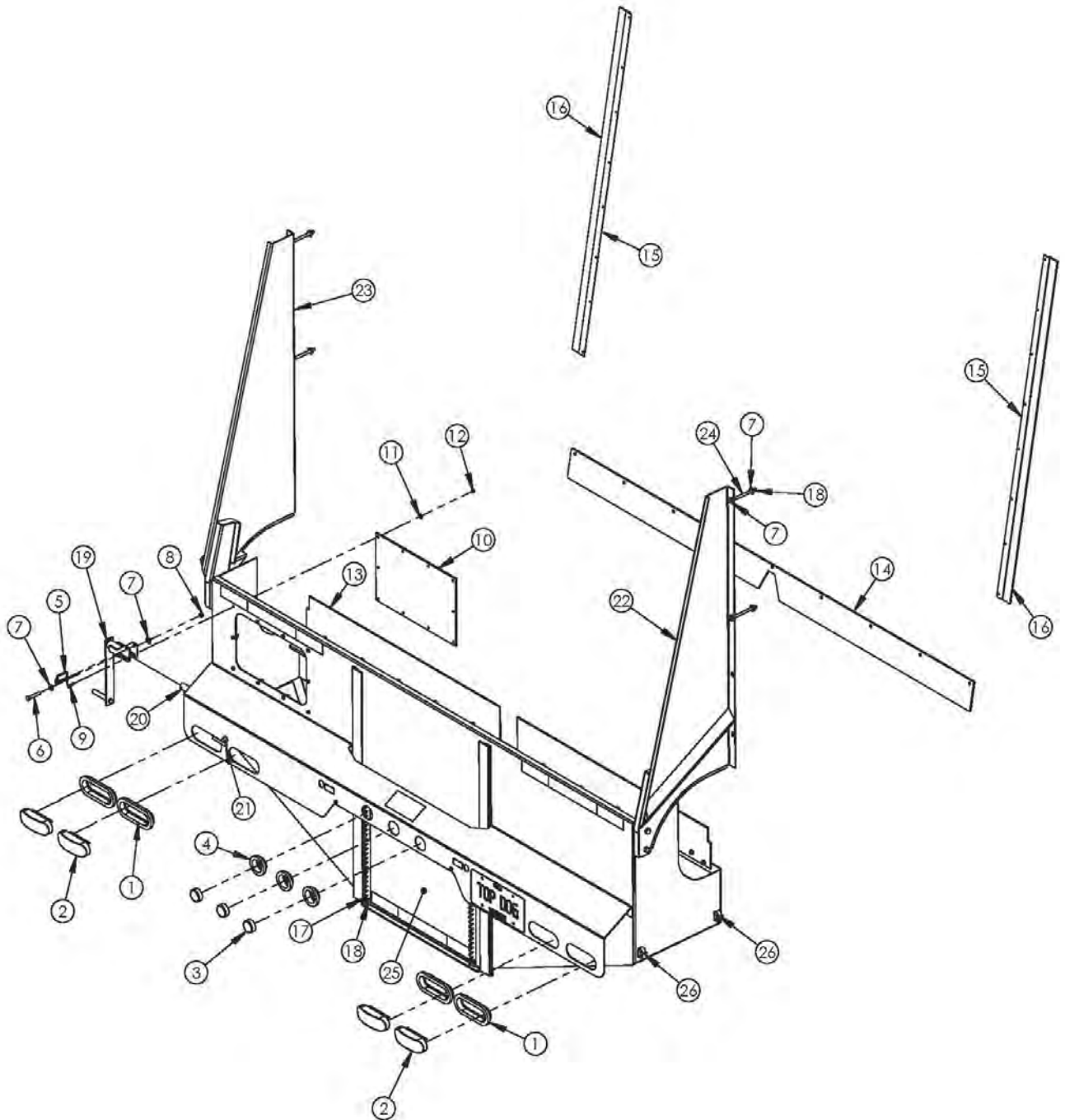
## FIGURE 12

### OPTIONAL BARN DOORS (AIR)

<u>ITEM</u>	<u>QTY</u>	<u>PART #</u>	<u>DESCRIPTION</u>
1	1	0227WE01	TOP CHANNEL
2	2	8542	CLEVIS
3	2	YPCT05005	COTTER PIN, 5/32 X 1
4	2	8544	CLEVIS PIN, 1/2 DIA X 1-1/2
*	1	56264	CLEVIS ASSEMBLY (INCLUDES ITEM # 2, 3 & 4)
5	2	8543	CLEVIS PIN, 1/2 DIA X 1-3/8
6	2	YNJM20010	NUT HEX, JAM, 5/8
7	1	0227WE04	DOOR LEFT
8	34	YWLO12005	LOCK WASHER, 3/8
9	2	YNHX62005	NUT HEX, MACHINE, #8-32
10	1	022716G01	DOOR PANEL RH
*	1	66286	DOOR SKIN LH
11	12	YPEX08015	EXPANSION PIN, 1/4 X 1 3/4
12	6	0227SH01	HINGE PIN
13	34	YNHX12005	NUT HEX, 3/8
14	2	YNTL16005	NUT HEX, TOP LOCK, 1/2
15	2	1135	MACHINE SCREW, PHILLIPS HEAD, #8-32 x .75
16	16	YBHH12010	HEX CAP SCREW, 3/8 X 1 G5
17	2	YBHH16115	BOLT HEX, 1/2 X 3-1/2 G5
18	34	YWFL12005	WASHER FLAT , 3/8 G5
19	2	0227PI02	LATCH SPACER
20	1	0227WE07	LATCH LH
21	2	0227RU01	DOOR SEAL BOTTOM
22	4	YBCR12020	BOLT CARRIAGE, 3/8 X 1-1/4 G5
23	12	YBHH12200	BOLT HEX, 3/8 X 5 G5
24	2	YNNY62005	HEX NYLON, INSERT LOCKNUT, #8-32
25	2	0227PL01	POLY BUMPER
26	2	SD190	GAS STRUT
27	1	0227WE05	DOOR RH
28	1	0227WE03	STAKE HINGE RH
29	1	0227WE08	LATCH RH
30	4	YBHH12110	BOLT HEX, 3/8 X 2-3/4 G5
31	2	BBS64	DOOR HINGE PIN
32	2	GD26	MALE BRANCH TEE, 1/4
33	2	GD7	VENT PLUG, 1/4 (CONE SHAPED)
34	1	0227MS03	CYLINDER TIE AIR LINE
35	2	HGV72	WIRE CLAMP, #12
36	2	YBHH08100	BOLT HEX, 1/4 X 3/4 G5
37	2	YNHX08005	NUT HEX, TOP LOCK, 1/4
38	1	0227MS02	WIRE LOOM
39	2	GD49	AIR CYLINDER, 2-/12
40	1	0227WE02	STAKE HINGE LH
41	2	02273G05	DOOR SEAL HOLD DOWN
42	2	0227RU02	DOOR SEAL

**NOTE: \* MEANS NOT SHOWN**

**FIGURE 13**  
**OPTIONAL GRAIN KIT**



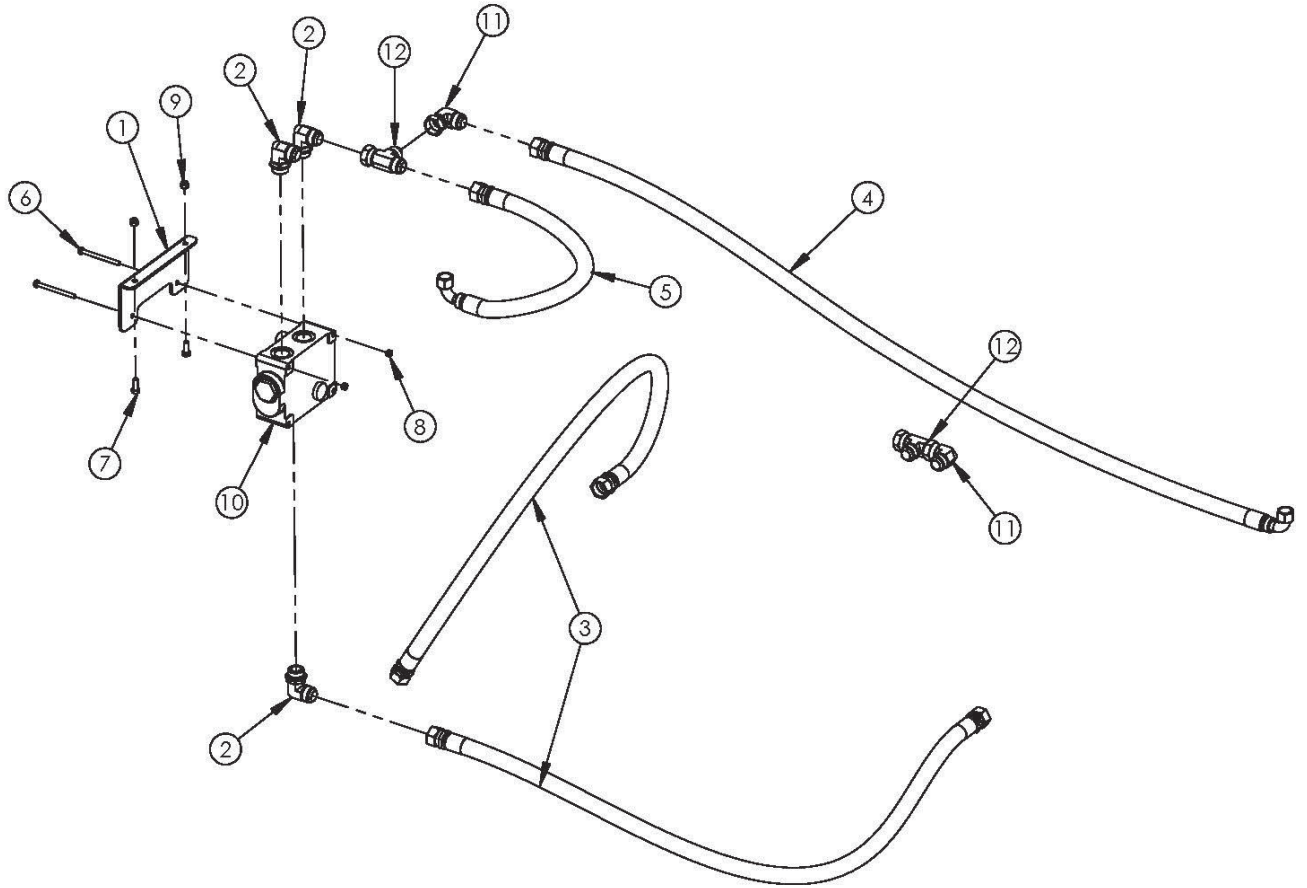
## FIGURE 13

### OPTIONAL GRAIN KIT

<u>ITEM</u>	<u>QTY</u>	<u>PART #</u>	<u>DESCRIPTION</u>
1	4	S308	OVAL LIGHT GROMMET
2	4	S310	OVAL RED LIGHT
3	3	BBS92	RED ROUND MARKER LIGHT
4	3	BBS91	ROUND LIGHT GROMMET
5	1	DWM324	SNAP PIN
6	1	YBHH12100	BOLT HEX, 3/8 X 2-1/4 G5
7	9	YWFL12005	WASHER FLAT, 3/8 USS
8	1	YNTL12005	NUT HEX, TOP LOCK, 3/8
9	10	YBHH08010	BOLT HEX, 1/4 X 1 G5
10	1	GH7	HOPPER WINDOW
11	10	YWFL08005	WASHER FLAT, 1/4 USS
12	10	YNNY08005	NUT HEX, NYLON LOCKNUT, 1/4
13	1	0226RU02	UPPER HOPPER SEAL
14	1	BBS68	DOOR RUBBER
15	2	0226MS01	BRUSH HOLDER, 1-1/4
16	2	0226MS04	BRUSH LONG, 2
17	2	YBHH12130	BOLT HEX, 3/8 X 3/4 G2
18	4	YNHX12005	NUT HEX, 3/8
19	1	GH8	FOLDING CRANK
20	1	0226WE04	REAR DOOR DRIVE
21	1	GH11	DRAG BLOCK TIGHTENER
22	1	0226WE02	SIDE EXTENSION RH
23	1	0226WE03	SIDE EXTENSION LH
24	4	YBHH12200	BOLT HEX, 3/8 X 5 G5
25	1	GH4	REAR HOPPER DOOR
26	2	HGV162	RUBBER WIRE HOLDER, 1/2



**FIGURE 14**  
**OPTIONAL FLOW CONTROL KIT**

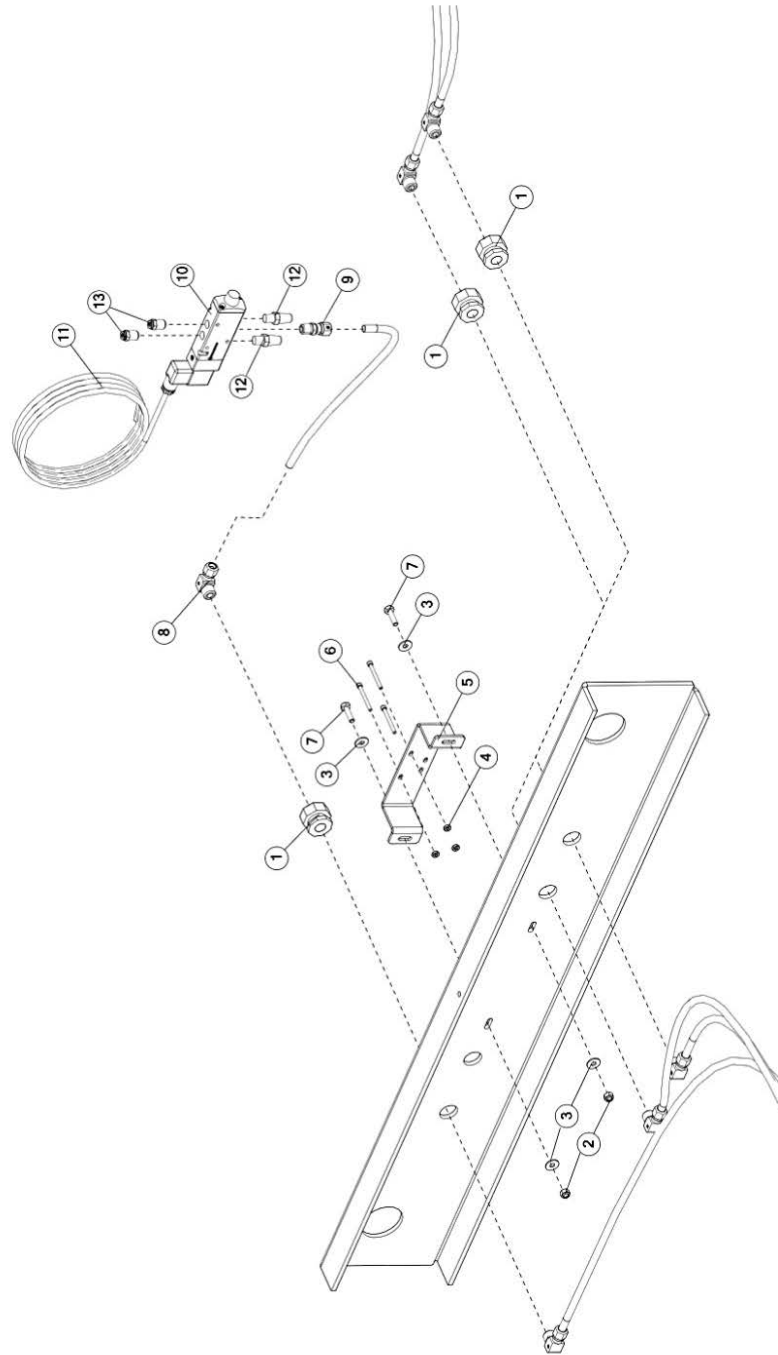


## FIGURE 14

### OPTIONAL FLOW CONTROL KIT

<u>ITEM</u>	<u>QTY</u>	<u>PART #</u>	<u>DESCRIPTION</u>
1	1	02266G02	FLOW CONTROL MOUNT
2	3	BBS52	STRAIGHT THREAD ELBOW
3	2	BBSTMS24	HOSE, MOTOR FLOW CONTROL, (65)
4	1	BBSTMS25	HOSE, FLOW TO MOTOR, LONG
5	1	BBSTMS26	HOSE, FLOW TO MOTOR, SHORT
6	2	YBHH10112	BOLT HEX, 5/16 X 3-3/4 G5
7	2	YBHH12010	BOLT HEX, 3/8 X 1 G5
8	2	YNHX10005	NUT HEX, 5/16
9	2	YNNY12005	NUT HEX, NYLON LOCKNUT, 3/8
10	1	BBS51	FLOW CONTROL
11	2	8021	SWIVEL NUT ELBOW
12	2	CHM182	SWIVEL NUT RUN TEE

**FIGURE 15**  
**OPTIONAL AIR VALVE FOR GATE DELAY**



## FIGURE 15

### OPTIONAL AIR VALVE FOR GATE DELAY

<u>ITEM</u>	<u>QTY</u>	<u>PART #</u>	<u>DESCRIPTION</u>
1	3	1114	BULKHEAD NIPPLE, 3/8 X 3/8
2	2	YNNY08005	NUT HEX, NYLON LOCKNUT, 1/4
3	4	YWFL08005	WASHER FLAT, 1/4 USS
4	3	YNHX62005	NUT HEX, #8-32
5	1	54510	AIR VALVE MOUNTING BRACKET
6	3	YSHS62005	SOCKET HEAD, CAP SCREW, #8-32 X 1-3/4 X 1
7	2	YBHH08010	BOLT HEX, 1/4 X 1 G5
8	1	55798	MALE ELBOW, 3/8 NPT TO 3/8 COMP
9	1	58651	FITTING, 1/4 TO 3/8 DOT
10	1	8031	GATE DELAY AIR VALVE (4 WAY)
11	2	1093	DIN CORD
12	2	GD7	VENT PLUG, 1/4 (CONE SHAPED)
13	2	GD6	MALE COUPLER

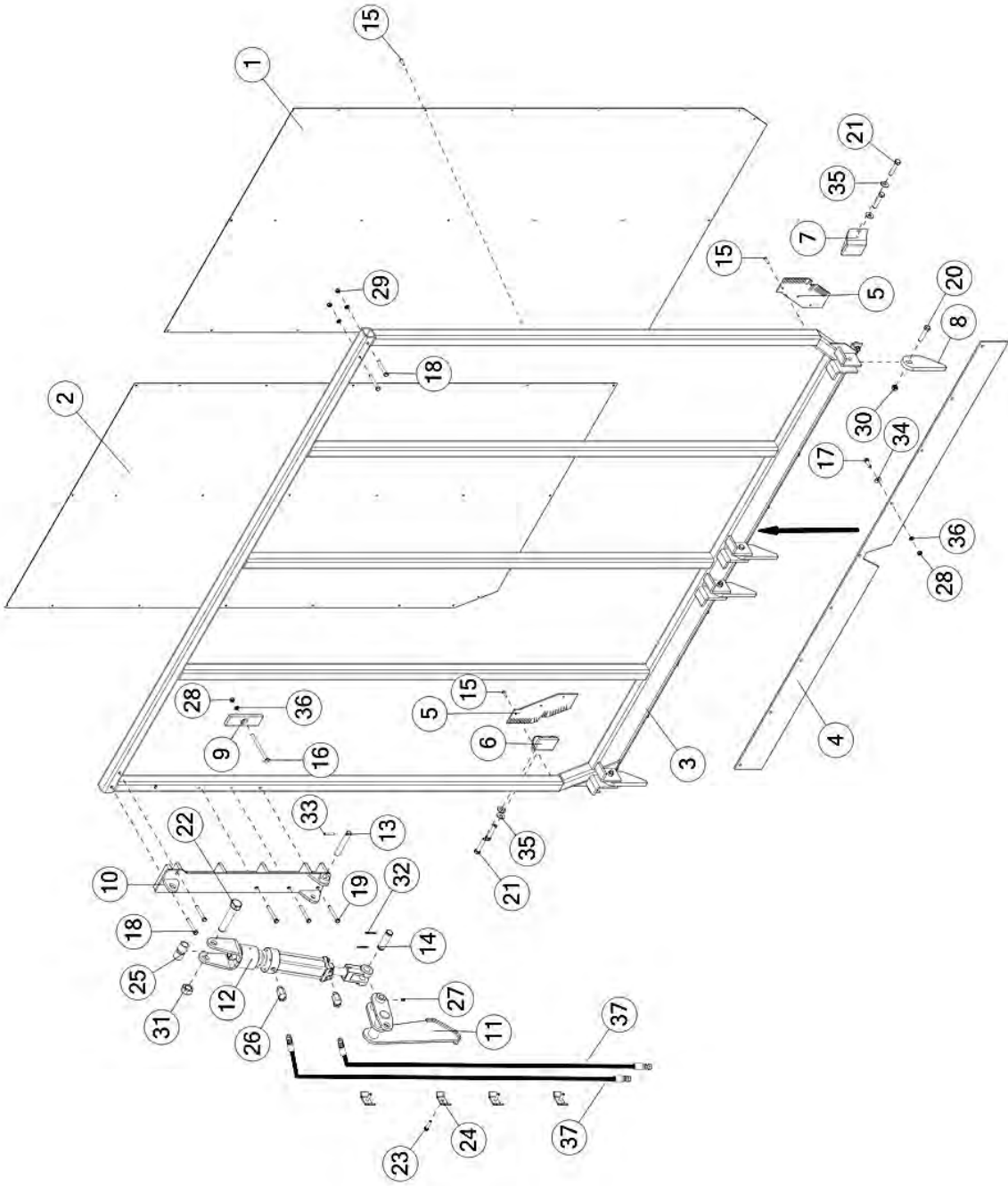


## **FIGURE 16**

### **OPTIONAL AIR GATE DELAY**

<b><u>ITEM</u></b>	<b><u>QTY</u></b>	<b><u>PART #</u></b>	<b><u>DESCRIPTION</u></b>
1	4	YBHH12110	BOLT HEX, 3/8 X 2-3/4 G5
2	2	GD5	MALE ELBOW, 1/4
3	1	0231WE03	PIVOT
4	1	0231WE01	CYLINDER BASE PLATE
5	1	GD52	AIR CYLINDER COMPLETE, 3-1/4 X 6
6	1	61598	HAND CONTROLLER (ON-OFF)
7	16	YWLO12005	WASHER LOCK, 3/8
8	16	YNHX12005	NUT HEX, 3/8
9	1	BBS68	DOOR RUBBER
10	1	BBST16G06	DOOR SKIN, RH
*	1	61409	DOOR SKIN, LH
11	9	YBHH12035	BOLT HEX, 3/8 X 1-1/4 G5
12	9	YWFL12005	WASHER FLAT, 3/8 USS
13	4	YBHH16080	BOLT HEX, 1/2 X 2-1/2 G5
14	4	YNTL16005	NUT HEX, TOP LOCK, 1/2
15	4	BBS67	LATCH
16	2	55902	CORNER DOOR SEAL
17	1	55970	ROADSIDE DOOR STOP
18	1	56155	CURBSIDE DOOR STOP
19	2	BBS20	TOP REAR STAKE
20	2	56244	DRIVE SHAFT BUSHING
21	2	16SV26	GREASE ZERK, 1/8 NPT X 2-3/32, 30 DEGREE
22	2	BBS64	DOOR HINGE PIN
23	4	YBHH16030	BOLT HEX, 1/2 X 1-1/2 G5
24	4	YSDR66007	SELF DRILLING SCREW, HEX WASHER HEAD, #12 X 1-1/4
25	3	1097	EMT CLAMP, 1/2
26	4	YWFL16005	WASHER FLAT, 1/2 USS
27	4	YBHH16085	BOLT HEX, FULL THREAD, 1/2 X 2-1/2 G5
28	1	0227MS01	AIR LINE SHIELD
29	1	HGV72	SMALL TUBE HOLDER
30	1	YBCR12122	BOLT CARRIAGE, 3/8 X 5-1/2
31	1	0231PL01	POLY BUMPER
32	2	YBHH12120	BOLT HEX, 3/8 X 3 G5
33	1	0231SH02	PIVOT PIN
34	1	YPEX08015	EXPANSION PIN, 1/4 X 1-3/4
35	2	55852	CYLINDER SUPPLY LINE, (530) (BLACK)
36	1	BBS38	BACK DOOR FRAME

**FIGURE 17**  
**OPTIONAL TOP PIVOT REAR DOOR W/HYD. GATE DELAY**



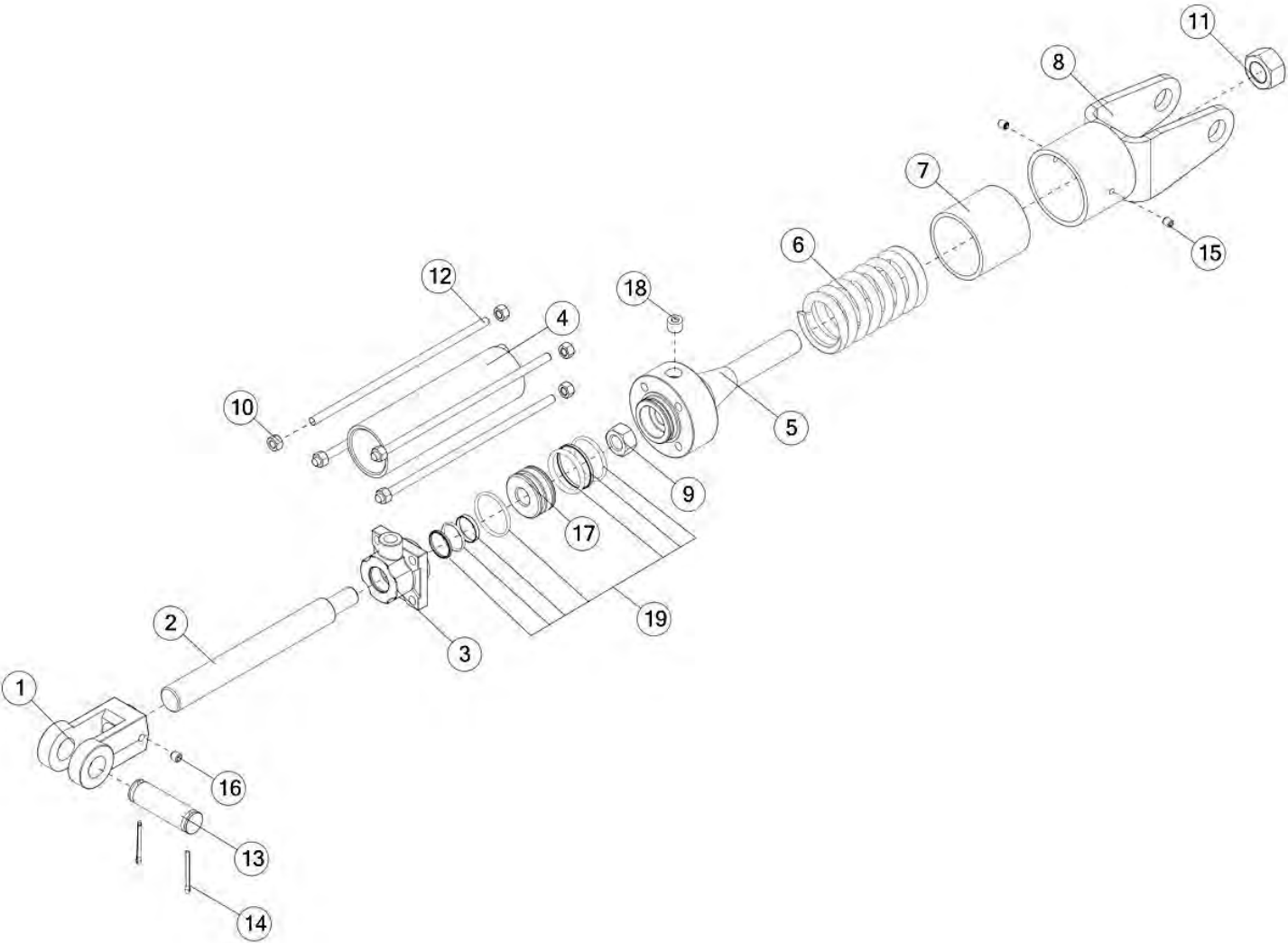


## FIGURE 17

### OPTIONAL TOP PIVOT REAR DOOR W/HYD. GATE DELAY

<u>ITEM</u>	<u>QTY</u>	<u>PART#</u>	<u>DESCRIPTION</u>
1	1	61409	DOOR SKIN, LH
2	1	BBST16G06	DOOR SKIN, RH
3	1	77463	DOOR
4	1	BBS68	DOOR RUBBER
5	2	55902	CORNER DOOR SEAL
6	1	55970	WE, TD ROADSIDE DOOR STOP
7	1	56155	WE, TD CURBSIDE DOOR STOP
8	4	BBS67	LATCH
9	1	0231PL01	POLY BUMPER
10	1	76428	HYD GATE DELAY BASE
11	1	77291	PIVOT
12	1	76902	HYD CYL, 2.0 , 24.12, X 30.12, SPRING DAMPER
13	1	0231SH02	PIVOT PIN
14	1	T143	HYDRAULIC CYLINDER PIN
15	44	1043	HUCK RIVET .375 GRIP ~ MGLP-U8-6
16	1	YBCR12122	BOLT CARRIAGE, FT, 3/8 X 5-1/2, G5
17	9	YBHH12035	BOLT HEX, 3/8 X 1-1/4, G5
18	4	YBHH12110	BOLT HEX, 3/8 X 2-3/4, G5
19	3	YBHH12120	BOLT HEX, 3/8 X 3, G5
20	4	YBHH16080	BOLT HEX, 1/2 X 2-1/2, G5
21	4	YBHH16085	BOLT HEX, FT, 1/2 X 2-1/2, G5
22	1	YBHH32020	BOLT HEX, 1 X 5, G5
23	4	YSHW10020	THREAD CUTTING SCREW, 5/16 X 1-1/2
24	4	23N67	FRONT HOSE BRACKET
25	2	77434	BUSHING, 1.05 X 1.32 X 1.13, SPACER
26	2	DWM110	ADAPTER, 3/8 MALE TO 3/8 FEMALE, 90 DEG. SWIVEL
27	1	G89	STRAIGHT ZERK, 1/4
28	10	YNHX12005	NUT HEX, 3/8
29	4	YNHX12010	NUT HEX, 3/8
30	4	YNTL16005	NUT HEX, 1/2
31	1	YNTL32005	NUT HEX, 1
32	2	YPCT05010	COTTER PIN, 5/32 X 1-1/2
33	1	YPEX08015	EXPANSION PIN, 1/4 X 1-3/4
34	9	YWFL12005	WASHER FLAT, 3/8 USS
35	4	YWFL16005	WASHER FLAT, 1/2 USS
36	10	YWLO12005	WASHER LOCK, 3/8
37	2	76346	HYD HOSE, 6 X 200, 6JIC SWVL, 6NPT

**FIGURE 18**  
**OPTIONAL HYDRAULIC CYLINDER GATE DELAY**



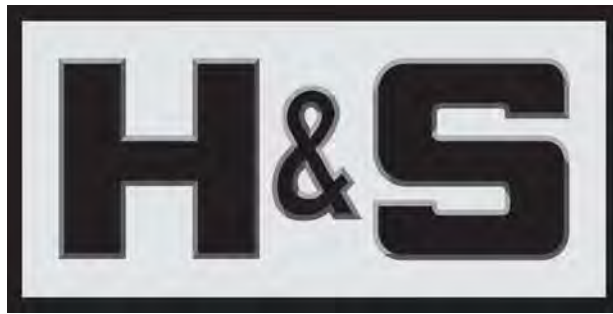
## FIGURE 18

### OPTIONAL HYDRAULIC CYLINDER GATE DELAY

<u>ITEM</u>	<u>QTY</u>	<u>PART #</u>	<u>DESCRIPTION</u>
1	1	23N150A	ROD CLEVIS
2	1	CHM104	CYLINDER ROD, 2" X 6"
3	1	56174	ROD CAP
4	1	CHM105	CYLINDER TUBE
5	1	76894	HYD CYLINDER, THREADED END
6	1	76445	COMPRESSION SPRING, 2.69 OD X 2.95-5.0
7	1	77355	POLY BUSHING, 2.70 X 3.07 X 2.75
8	1	76437	CLEVIS
9	1	23N148	PISTON NUT
10	4	YNHX12006	NUT HEX, 3/8 G2
11	1	YNL32005	NUT HEX, 1
12	4	CHM106	TIE ROD
13	1	T143	HYDRAULIC CYLINDER PIN
14	2	YPCT05010	COTTER PIN, 5/32 X 1-1/2
15	2	YSKP10010	SET SCREW, SOCKET, KNURLED CUP PT, 5/16 X 3/8
16	1	YSSO12015	SET SCREW, SOCKET, 3/8 X 3/8
17	1	56180	PISTON FOR 2 CLYINDER
18	1	23N149	PLUG
19	1	56187	SEAL KIT FOR 2" CYLINDER







**H&S Manufacturing products are approved for the  
FEMA SEAL OF QUALITY**

**P.O. BOX 768, MARSHFIELD, WI 54449  
(715) 387-3414 FAX (715) 384-5463  
[www.hsmfgco.com](http://www.hsmfgco.com)**