



# TD36 SEMI-TRAILER FORAGE BOX PARTS BOOK



Revision #04

TD36 Starting Serial #4ULJB3822HS001081

HSMFG0616

Part #64240

Manufactured By  
**H&S MANUFACTURING CO., INC.**

P.O. BOX 768 (715) 387-3414 FAX (715) 384-5463  
MARSHFIELD, WISCONSIN 54449

# CONTENTS

|  |       |
|--|-------|
| Instructions for Ordering Parts - About Improvements ..... | 1     |
| Figure 1 - Body Panels .....                               | 2-3   |
| Figure 2 - Bumper Landing Gear .....                       | 4-5   |
| Figure 3 - Axle Bearings and Cams .....                    | 6-7   |
| Figure 4 - Brake Drum and Bearings .....                   | 8-9   |
| Figure 5 - Brakes .....                                    | 10-11 |
| Figure 6 - Apron Tensioner .....                           | 12-13 |
| Figure 7 - Chain and Drive .....                           | 14-17 |
| Figure 8 - Hydraulics Circuit .....                        | 18-19 |
| Figure 9 - Gate Delay .....                                | 20-21 |
| Figure 10 - Air Connection .....                           | 22-23 |
| Figure 11 - Rear Transport Lighting .....                  | 24-25 |
| Figure 12 - Transport Lighting .....                       | 26-27 |
| Figure 13 - Optional Barn Doors .....                      | 28-29 |
| Figure 14 - Spring Suspension .....                        | 30-31 |
| Figure 15 - Grain Kit .....                                | 32-33 |
| Figure 16 - Flow Control Kit .....                         | 34-35 |
| Figure 17 - Air Valve for Gate Delay .....                 | 36-37 |
| Parts Notes .....  | 38    |

# INSTRUCTIONS FOR ORDERING PARTS

All service parts should be ordered through your authorized H&S dealer. They will be able to give you faster service if you will provide them with the following;

1. Model & Serial number are located on the left frame stringer by the jack handle.
2. All reference to left or right apply to the machine as viewed from the rear.
3. Parts should not be ordered from illustration only. Please order by complete part number.
4. If your dealer has to order parts - give shipping instructions:

VIA truck - large pieces (please specify local truck lines)

VIA United Parcel Service (include full address)

|                   |                      |
|-------------------|----------------------|
| H&S MFG. CO. INC. |                      |
| MARSHFIELD, WIS.  |                      |
| MOD. NO.          | <input type="text"/> |
| SER. NO.          | <input type="text"/> |
| DESCR.            | <input type="text"/> |

PLEASE RECORD NUMBERS FOR YOUR UNIT FOR QUICK REFERENCE

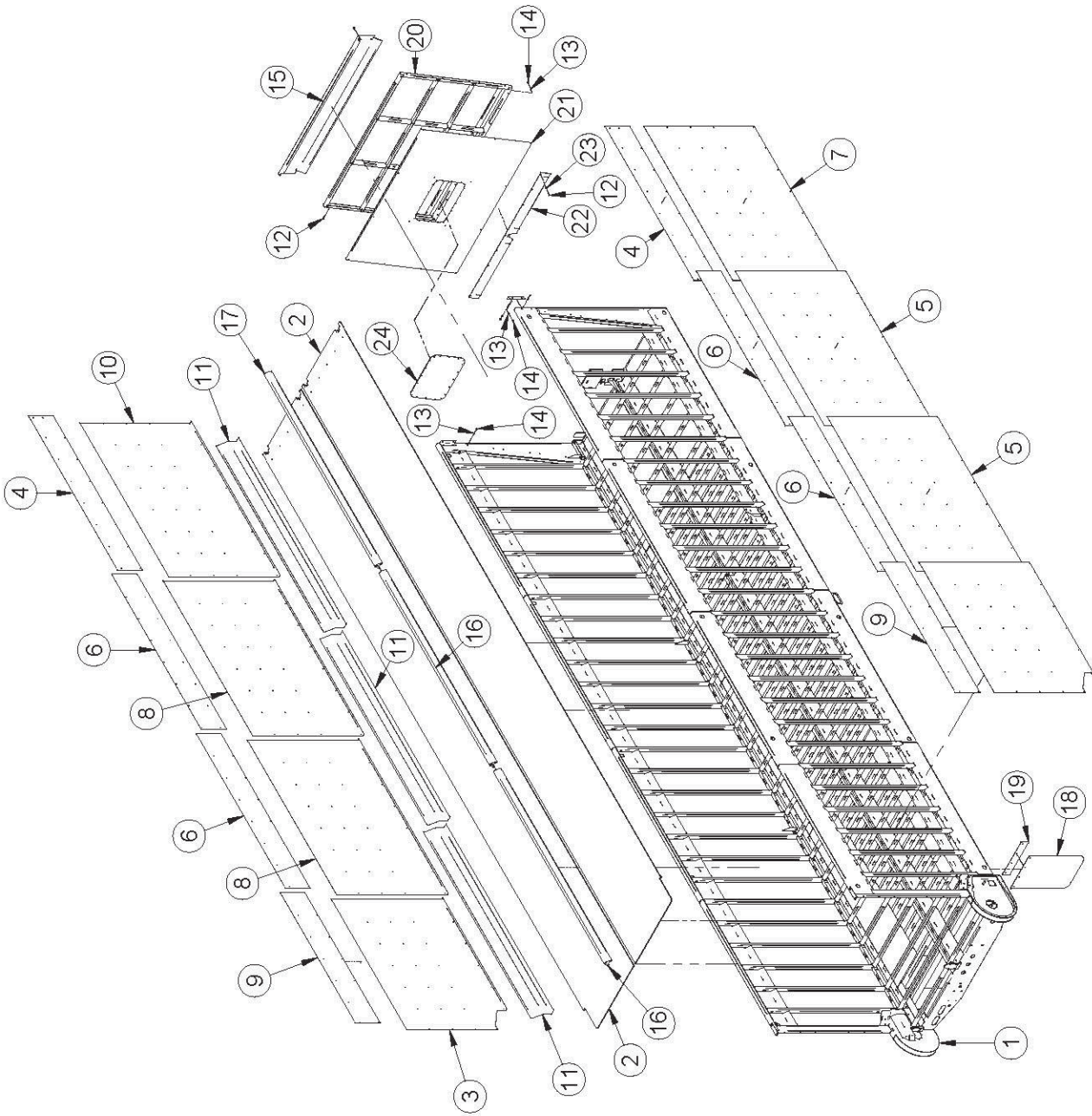
## ABOUT IMPROVEMENTS

H&S IS CONTINUALLY STRIVING TO IMPROVE IT'S PRODUCTS

We must therefore, reserve the right to make improvements or changes whenever it becomes practical to do so without incurring any obligation to make changes or additions to the equipment previously sold.

# FIGURE 1

## BODY PANELS

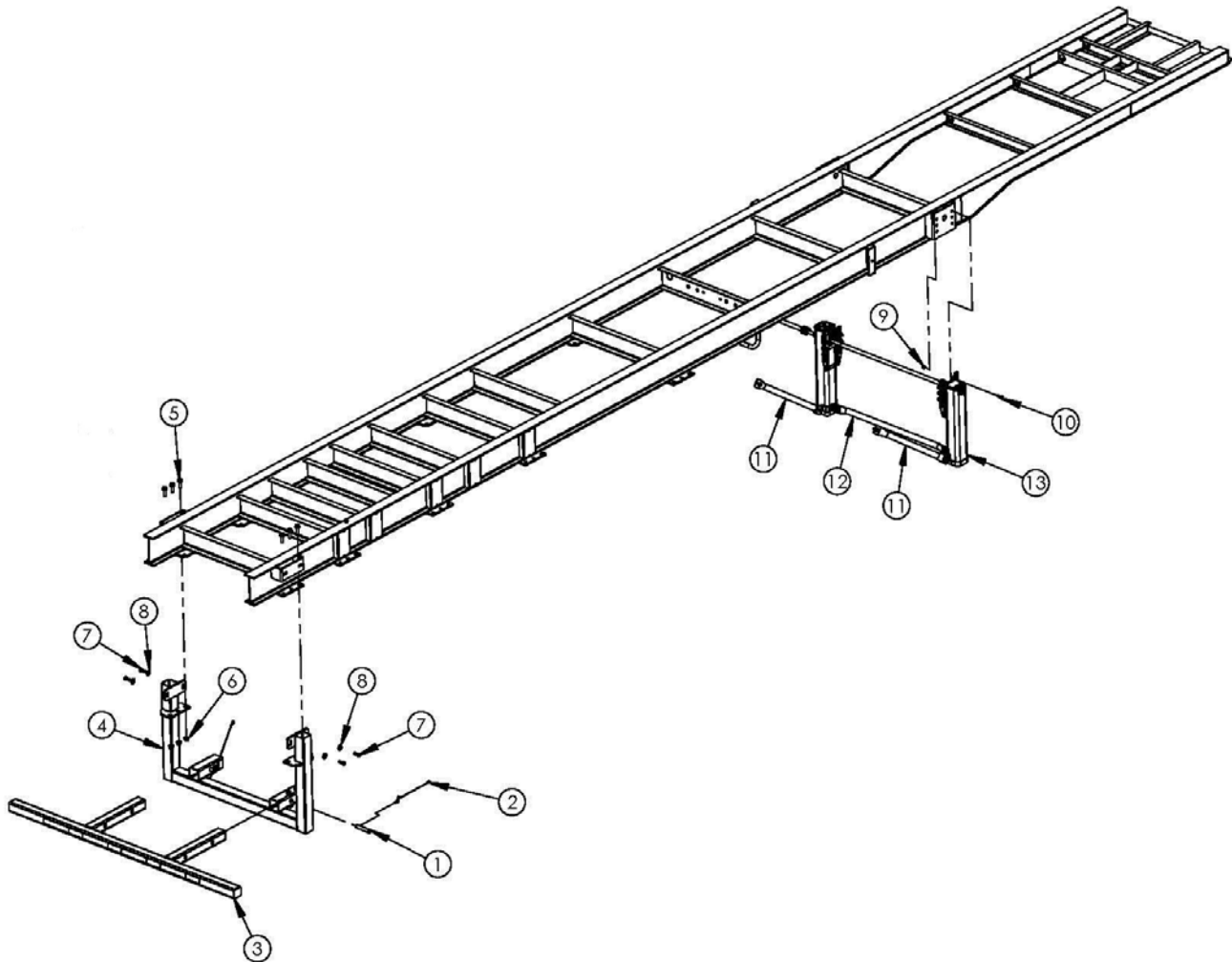


# FIGURE 1

## BODY PANELS

| <u>ITEM</u> | <u>QTY</u> | <u>PART #</u> | <u>DESCRIPTION</u>               |
|-------------|------------|---------------|----------------------------------|
| 1           | 1          | BBS40         | SUBFRAME WITH SKIRT              |
| 2           | 2          | BBS28         | POLY FLOOR                       |
| 3           | 1          | BBS25         | SIDE BACK LEFT                   |
| 4           | 2          | BBS71         | SIDE EXTENSION FRONT             |
| 5           | 2          | BBST16G07     | SIDE A                           |
| 6           | 4          | BBST16G11     | SIDE EXTENSION CENTER            |
| 7           | 1          | BBS27         | SIDE FRONT RIGHT                 |
| 8           | 2          | BBST16G15     | SIDE B                           |
| 9           | 2          | BBS70         | SIDE EXTENSION REAR              |
| 10          | 1          | BBST16G05     | SIDE FRONT LEFT                  |
| 11          | 6          | BBS30         | INSIDE SIDE SLANT                |
| 12          | 9          | YBHH12035     | BOLT, 3/8" X 1-1/4" GR. 5        |
| 13          | 1          | 023010G01     | FRONT PANEL UPPER                |
| 14          | 2          | BBSTWE23      | FLOOR CENTER COVER ROUND         |
| 15          | 1          | BBSTWE22      | FLOOR CENTER COVER FRT RD        |
| 16          | 2          | 8034          | H&S MUD FLAP                     |
| 17          | 2          | BBST6G09      | MUD FLAP BRACKET                 |
| 18          | 1          | BBS46         | SLANT PANEL FRAME                |
| 19          | 1          | 55840         | FRONT PANEL                      |
| 20          | 1          | BBS48         | FRONT SEAL RUBBER                |
| 21          | 9          | YWFL12005     | FLAT WASHER, 3/8", GR. 5         |
| 22          | 1          | 55839         | WINDOW                           |
| 23          | 1          | BBS26         | SIDE BACK RIGHT                  |
| 24          | 2          | 02306G01      | FRONT PANEL MOUNT ANGLE          |
| *           | 20         | 1043          | HUCK RIVET .375 GRIP ~ MGLP-U8-6 |

**FIGURE 2**  
**BUMPER LANDING GEAR**

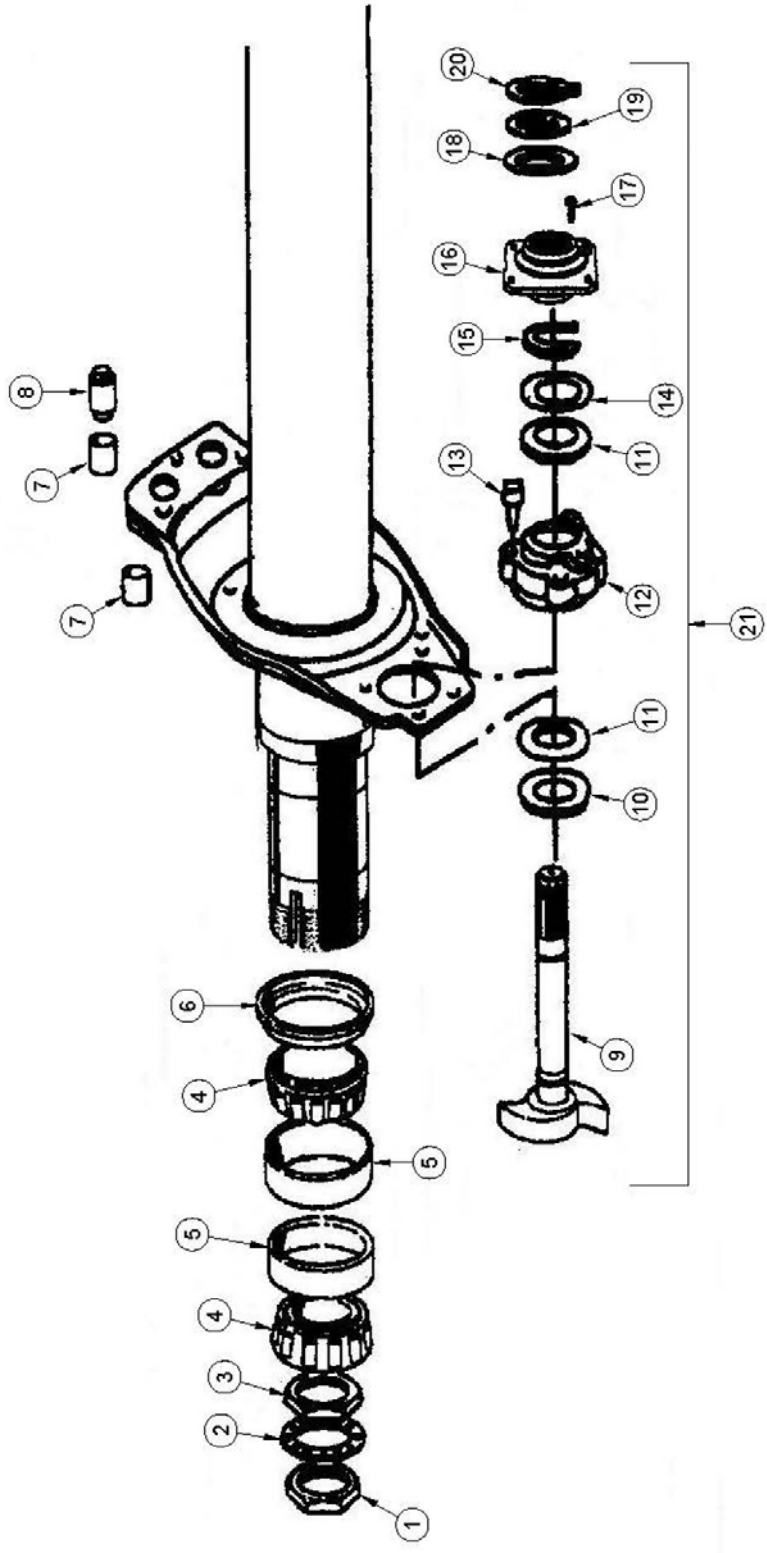


## FIGURE 2

### BUMPER LANDING GEAR

| <u>ITEM</u> | <u>QTY</u> | <u>PART #</u> | <u>DESCRIPTION</u>                   |
|-------------|------------|---------------|--------------------------------------|
| 1           | 2          | 1118          | CLEVIS PIN 1" X 4-3/4"               |
| 2           | 2          | SEMIAS06      | SEMI-LYNCH PIN LANYARD ASSEMBLY      |
| 3           | 1          | 54155         | BUMPER                               |
| 4           | 1          | 54149         | BOLT ON BUMPER WELDMENT              |
| 5           | 6          | YBFB24005     | BOLT, FLANGE, 3/4"-10 X 2-1/2" GR. 8 |
| 6           | 6          | YNFG24006     | 3/4"-10 TOP LOCK FLANGE NUT, GRADE G |
| 7           | 4          | YBHH20022     | BOLT, 5/8" X 1-3/4" GR. 8            |
| 8           | 4          | YWFL20005     | WASHER, FLAT, 5/8" USS               |
| 9           | 18         | YNTL20005     | HEX NUT, TOP LOCK, 5/8-11            |
| 10          | 18         | YBHH20010     | BOLT, 5/8 X 1-1/2 GR 5               |
| 11          | 2          | 1003          | LANDING GEAR BRACE 26"-41"           |
| 12          | 1          | 1004          | LANDING GEAR BRACE 42"-57"           |
| 13          | 1          | 1002          | LANDING GEAR ASSEMBLY (COMPLETE)     |

# FIGURE 3 AXLE BEARINGS & CAMS





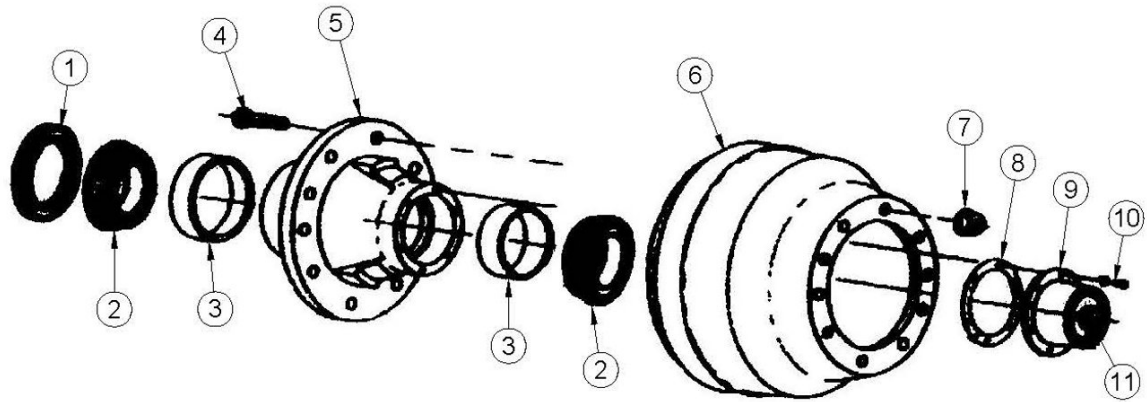
## FIGURE 3

### AXLE BEARINGS & CAMS

| <u>ITEM</u> | <u>QTY</u> | <u>PART #</u> | <u>DESCRIPTION</u>        |
|-------------|------------|---------------|---------------------------|
| 1           | 1          | 8269          | NUT                       |
| 2           | 1          | 8270          | WASHER                    |
| 3           | 1          | 8271          | NUT                       |
| 4           | 2          | 8272          | BEARING CONE              |
| 5           | 2          | 8273          | BEARING RACE              |
| 6           | 1          | 8274          | SEAL                      |
| 7           | 2          | 8275          | BUSHING                   |
| 8           | 1          | 8276          | ANCHOR PIN                |
| 9           | 1          | 8277          | LEFT CAM                  |
| *           | 1          | 8291          | RIGHT CAM                 |
| 10          | 1          | 8278          | WASHER                    |
| 11          | 2          | 8279          | SEAL                      |
| 12          | 1          | 8280          | BUSHING                   |
| 13          | 1          | 8281          | CAPSCREW                  |
| 14          | 1          | 8282          | WASHER                    |
| 15          | 1          | 8283          | SNAP RING                 |
| 16          | 1          | 8284          | CAMSHAFT BUSHING ASSEMBLY |
| 17          | 1          | 8285          | CAPSCREW                  |
| 18          | 1          | 8286          | SLACK ADJUSTER WASHER     |
| 19          | 1          | 8287          | SLACK ADJUSTER WASHER     |
| 20          | 1          | 8288          | SLACK ADJUSTER SNAP RING  |
| 21          | -          | 8289          | CAM KIT (LEFT)            |

**NOTE: \* MEANS NOT SHOWN**

**FIGURE 4**  
**BRAKE DRUM & BEARINGS**

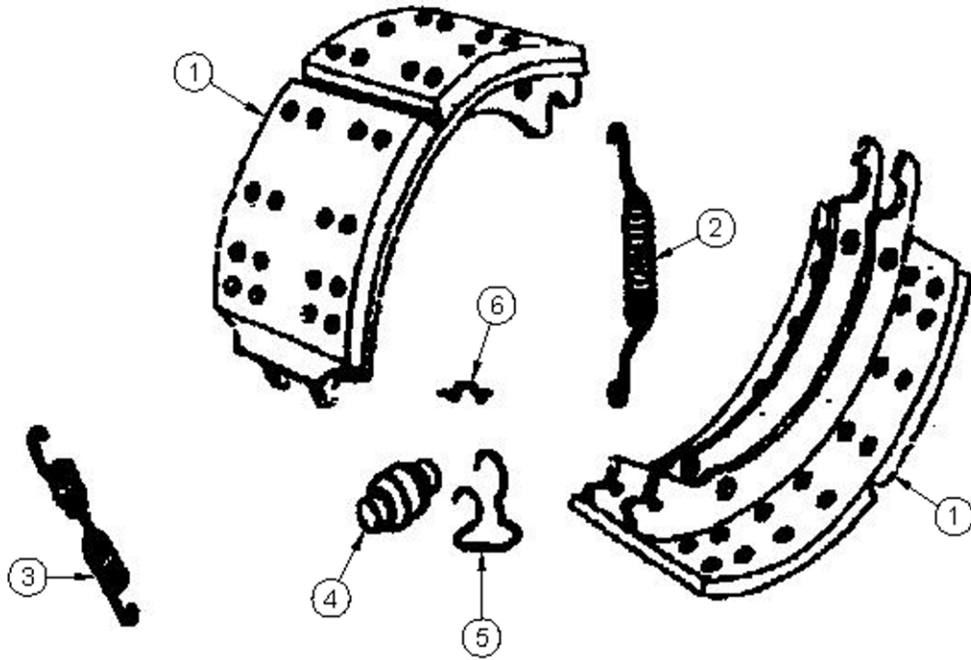


## FIGURE 4

### BRAKE DRUM & BEARINGS

| <u>ITEM</u> | <u>QTY</u> | <u>PART #</u> | <u>DESCRIPTION</u> |
|-------------|------------|---------------|--------------------|
| 1           | 1          | 8300          | SEAL               |
| 2           | 2          | 8301          | CONE               |
| 3           | 2          | 8302          | RACE               |
| 4           | 10         | 8303          | STUD               |
| 5           | 1          | 8304          | HUB                |
| 6           | 1          | 8305          | BRAKE DRUM         |
| 7           | 10         | 8306          | LUG NUT            |
| 8           | 1          | 8307          | GASKET             |
| 9           | 1          | 8308          | HUB CAP            |
| 10          | 6          | 8309          | HUB CAP BOLT       |
| 11          | 1          | 8310          | HUB CAP OIL DRAIN  |

**FIGURE 5**  
**BRAKES**



## FIGURE 5

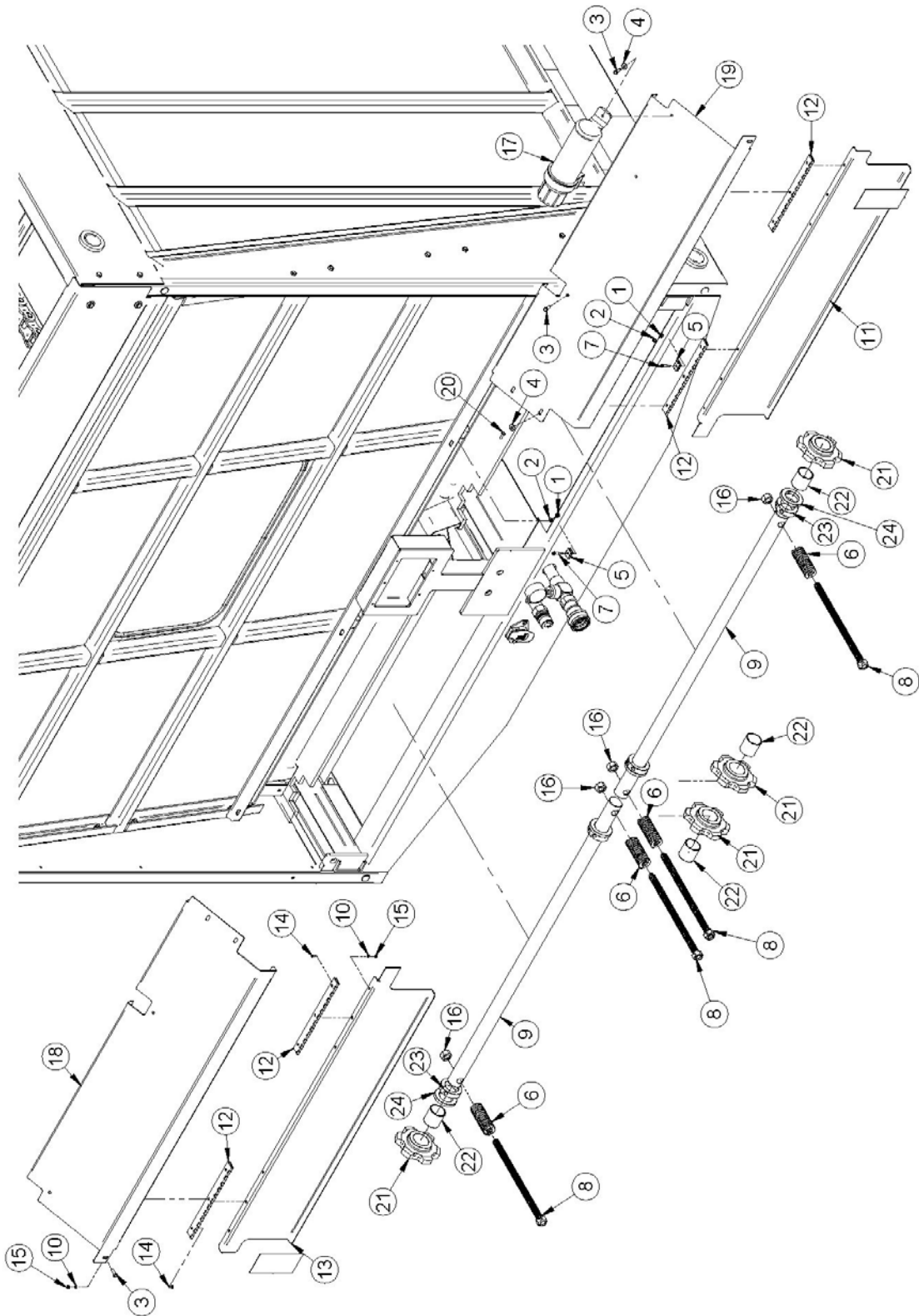
### BRAKES

| <u>ITEM</u> | <u>QTY</u> | <u>PART #</u> | <u>DESCRIPTION</u>   |
|-------------|------------|---------------|--|
| 1           | 2          | 8292          | BRAKE SHOE   |
| 2           | 1          | 8293          | SPRING   |
| 3           | 1          | 8294          | SPRING   |
| 4           | 1          | 8295          | ADJUSTER   |
| 5           | 1          | 8296          | CLIP   |
| 6           | 1          | 8297          | RETAINER   |
| *           | 1          | 8298          | HARDWARE KIT WITH BUSHINGS AND ANCHOR<br>PINS (DOES NOT INCLUDE BRAKE SHOES) |

**NOTE: \* MEANS NOT SHOWN**

# FIGURE 6

## APRON TENSIONER

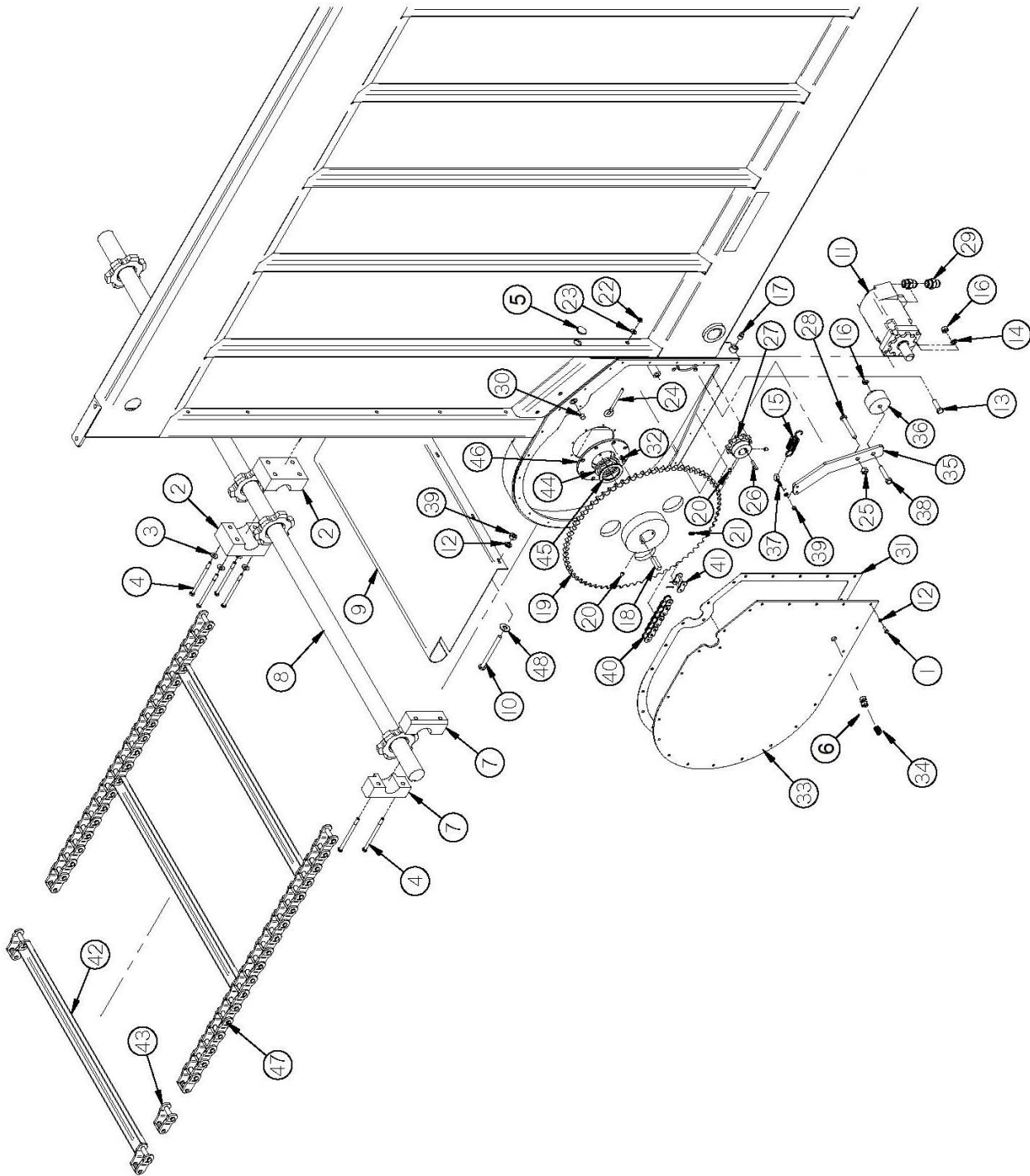


## FIGURE 6

### APRON TENSIONER

| <u>ITEM</u> | <u>QTY</u> | <u>PART #</u> | <u>DESCRIPTION</u>                                |
|-------------|------------|---------------|---|
| 1           | 8          | YNHX08005     | HEX NUT, 1/4                                      |
| 2           | 8          | YWLO08005     | WASHER, LOCK, 1/4                                 |
| 3           | 6          | YBHH08010     | BOLT, 1/4" X 1" GR. 5                             |
| 4           | 8          | YWFL08005     | 1/4 FLAT WASHER                                   |
| 5           | 4          | BBS74         | RECTANGULAR MAGNET                                |
| 6           | 4          | BBS35         | COMPRESSION SPRING                                |
| 7           | 4          | YSDR66007     | SELF DRILLING SCREW, HEX HEAD, #12 X 1-1/4 (ZINC) |
| 8           | 4          | BBS34         | TIGHTENER ROD                                     |
| 9           | 2          | BBS29         | IDLER SHAFT FRONT                                 |
| 10          | 24         | YWSI62005     | #8 ZINC EXT LOCK WASHER                           |
| 11          | 1          | BBST14G20     | FRONT SHIELD BOTTOM LEFT                          |
| 12          | 3          | BBSTMS15      | SS CONT. HINGE 12"                                |
| 13          | 1          | BBS73         | FRONT SHIELD BOTTOM                               |
| 14          | 24         | YSFM62005     | FLAT HEAD CAP SCREW, CROSS #8-32 X 1/2            |
| 15          | 24         | YNHX62005     | 8-32 ZINC PLATED NUT                              |
| 16          | 4          | YNHX24004     | HEX NUT, 3/4-10 GR 5                              |
| 17          | 1          | S522          | MANUAL HOLDER                                     |
| 18          | 1          | BBS72         | FRONT SHIELD                                      |
| 19          | 1          | BBST14G28     | FRONT SHIELD SLANT LEFT                           |
| 20          | 2          | YBHH08100     | BOLT, 1/4" X 3/4" GR. 5                           |
| 21          | 4          | BBSTSH07      | 6 TOOTH IDLER SPROCKET                            |
| 22          | 4          | RGT3          | BUSHING   |
| 23          | 4          | 8340          | 1.75ID X 2.75OD 1 PC CLAMP COLLAR                 |
| 24          | 4          | BBSTPL05      | IDLER SPROCKET POLY SPACER                        |

**FIGURE 7**  
**CHAIN & DRIVE**



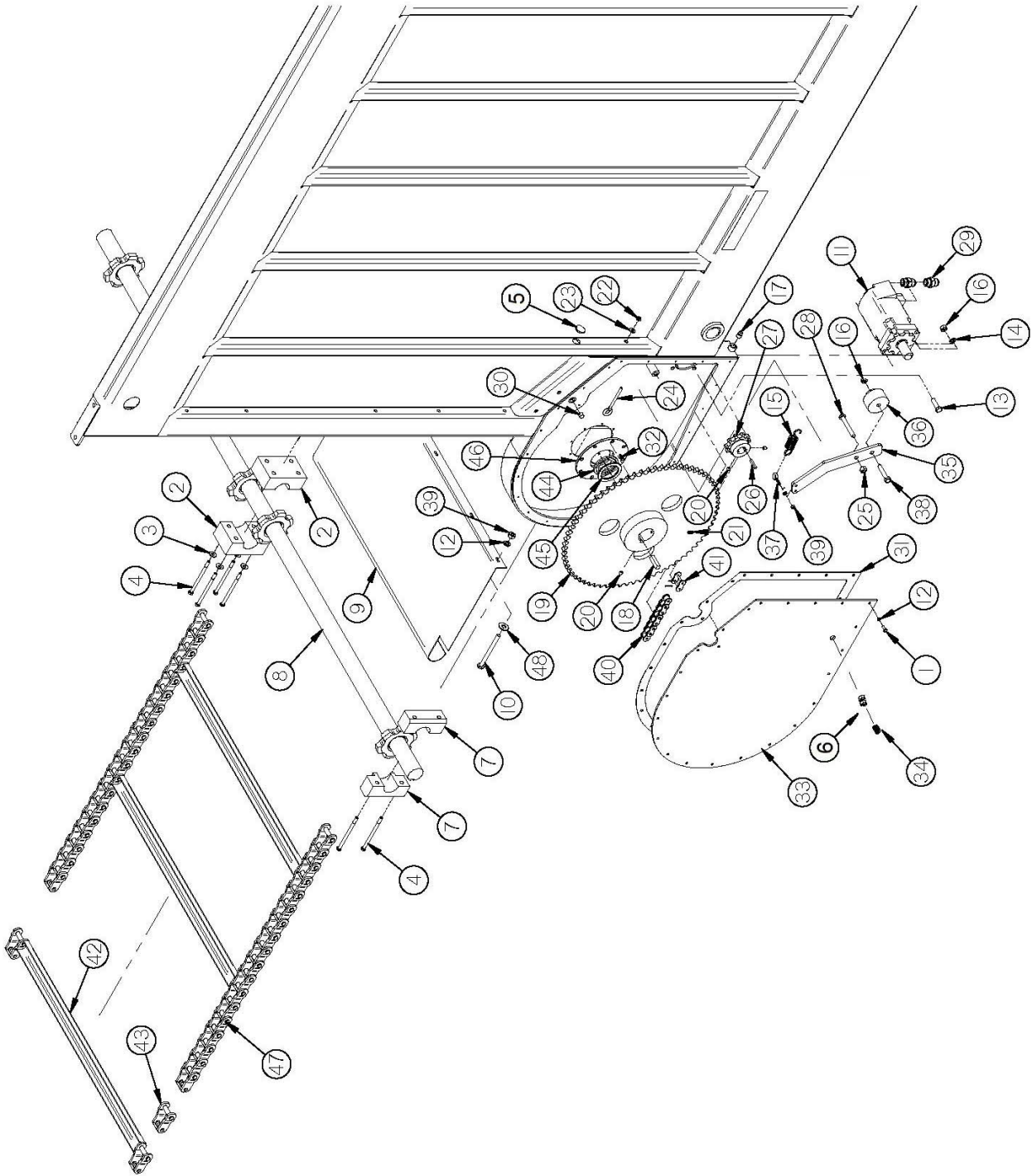


## FIGURE 7

### CHAIN & DRIVE

| <u>ITEM</u> | <u>QTY</u> | <u>PART #</u> | <u>DESCRIPTION</u>                              |
|-------------|------------|---------------|---|
| 1           | 23         | YBHH08100     | BOLT, 1/4" X 3/4" GR. 5                         |
| 2           | 2          | BBS62         | DRIVE SHAFT BEARING CENTER                      |
| 3           | 6          | YWFL16005     | FLAT WASHER, 1/2"                               |
| 4           | 6          | YBHH16155     | BOLT, 1/2 X 5 GR 5                              |
| 5           | 2          | 56127         | PUSH-IN PLUG                                    |
| 6           | 2          | 56092         | 1/4 NPT THROUGH-WALL FITTING                    |
| 7           | 2          | BBS63         | OUTER DRIVESHAFT BEARING                        |
| 8           | 1          | BBSTWE04      | DRIVE SHAFT                                     |
| 9           | 1          | BBS76         | DRIVE SHAFT SEAL                                |
| 10          | 10         | YBHH08070     | BOLT, 1/4" X 2-3/4" GR. 5                       |
| 11          | 1          | 33SV73        | HYDRAULIC MOTOR                                 |
| 12          | 33         | YWLO08005     | WASHER, LOCK, 1/4                               |
| 13          | 4          | YBHH16055     | BOLT, 1/2 X 1-3/4 GR 5                          |
| 14          | 4          | YWLO16005     | WASHER, LOCK, 1/2                               |
| 15          | 1          | GM410         | EXTENSION SPRING                                |
| 16          | 4          | YNHX16005     | HEX NUT, 1/2"                                   |
| 17          | 2          | G65           | PIPE PLUG 3/8" 18 NPT                           |
| 18          | 1          | BBS59         | .500 X 2.000 HARDENED KEY                       |
| 19          | 1          | BBS60         | DRIVEN SPROCKET                                 |
| 20          | 4          | YSKP12010     | SET SCREW, SOCKET, KNURLED CUP PT, 3/8-16 X 1/2 |
| 21          | 1          | YSKP12035     | 3/8-16 X 0.75, SOCKET SET SCREW, CUP POINT      |
| 22          | 1          | YNNY10005     | 5/16-18 NYLON LOCKNUT                           |
| 23          | 1          | YWFL10005     | WASHER, FLAT, 5/16" USS                         |
| 24          | 2          | YBTE10040     | TURNED EYE BOLT, 5/16" X 4"                     |
| 25          | 1          | YNTL16005     | HEX NUT, TOP LOCK, 1/2-13                       |

**FIGURE 7**  
**CHAIN & DRIVE**

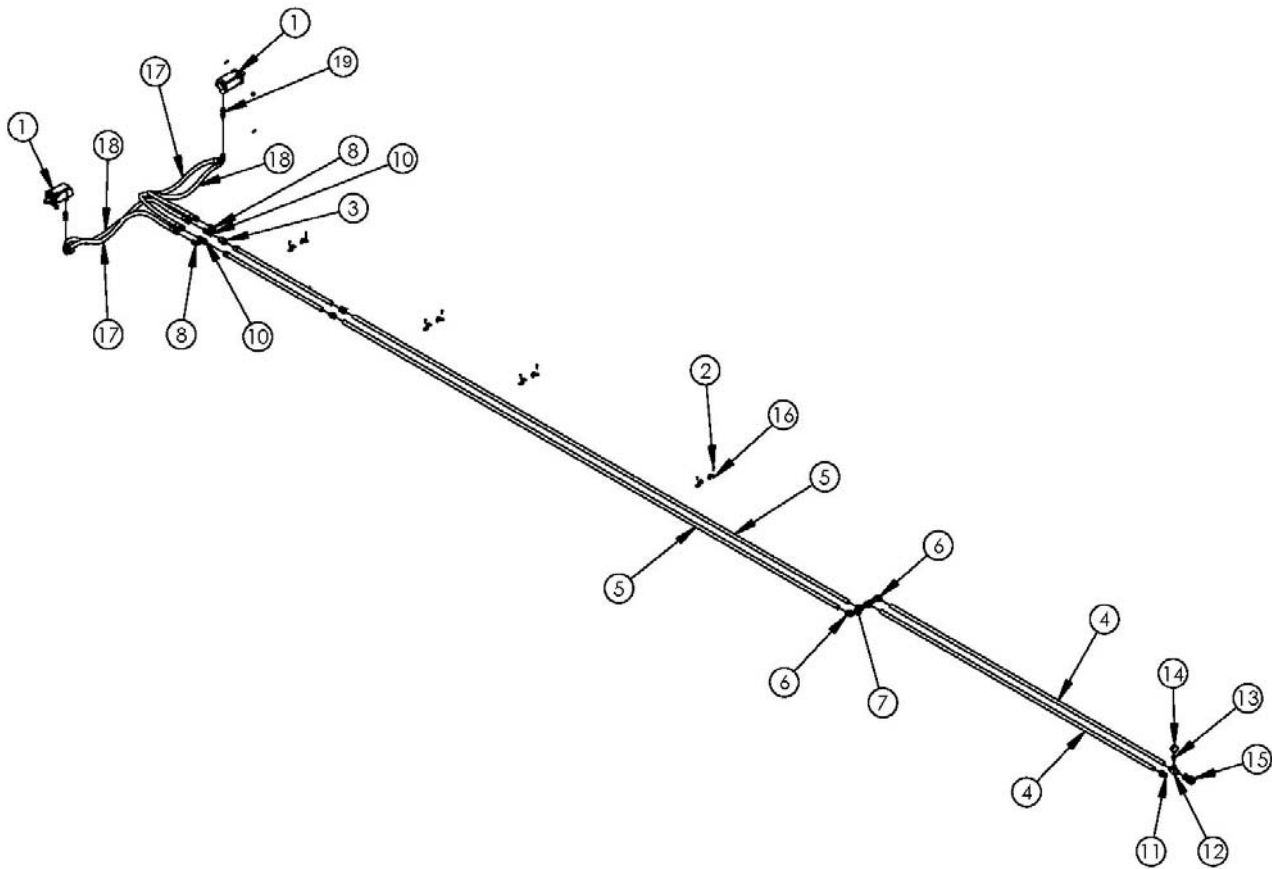


# FIGURE 7

## CHAIN & DRIVE

| <u>ITEM</u> | <u>QTY</u> | <u>PART #</u> | <u>DESCRIPTION</u>                       |
|-------------|------------|---------------|--|
| 26          | 1          | G23A          | SQUARE KEY, 5/16" X 1-1/4"               |
| 27          | 1          | BBS61         | DRIVE SPROCKET                           |
| 28          | 1          | YBHH16115     | BOLT, 1/2" X 3-1/2" GR. 5                |
| 29          | 2          | SD273         | STRAIGHT THREAD CONNECTOR                |
| 30          | 2          | BFR70         | VENT PLUG 3/8" #BV-3                     |
| 31          | 1          | BBSTMS13      | SPROCKET COVER GASKET                    |
| 32          | 1          | YSFM08005     | FLAT HEAD SOCKET CAP SCREW, 1/4-28 X 1/2 |
| 33          | 1          | BBST3G19      | SPROCKET COVER                           |
| 34          | 1          | YMPP08005     | 1/4 HEX SOCKET PLUG                      |
| 35          | 1          | BBS9          | TIGHTENER BAR                            |
| 36          | 1          | BBS10         | POLY TIGHTENER                           |
| 37          | 1          | YBTE08005     | .250 x 1 I BOLT                          |
| 38          | 1          | YBHH16080     | BOLT, 1/2" X 2-1/2" GR. 5                |
| 39          | 12         | YNHX08005     | HEX NUT, 1/4                             |
| 40          | 1          | 1042          | H80 X 81 PITCH ROLLER CHAIN ASSEMBLED    |
| 41          | 1          | IFB17         | 80 H CONNECTOR LINK                      |
| 42          | 1          | 8060          | WELDED #88 CHAIN SLAT                    |
| 43          | 1          | 8061          | #88 PINTLE CHAIN LINK                    |
| 44          | 1          | BBSTMS23      | BBST ROPE SEAL                           |
| 45          | 1          | BBSTTU27      | BBST SEAL RETAINER PLATE                 |
| 46          | 1          | BBSTHF19      | BBST SEAL PLATE                          |
| 47          | 2          | 1034          | PL88C APRON CHAIN X 336 PITCH            |
| 48          | 10         | YWFL08005     | WASHER, FLAT, 1/4" USS                   |

**FIGURE 8**  
**HYDRAULIC CIRCUIT**



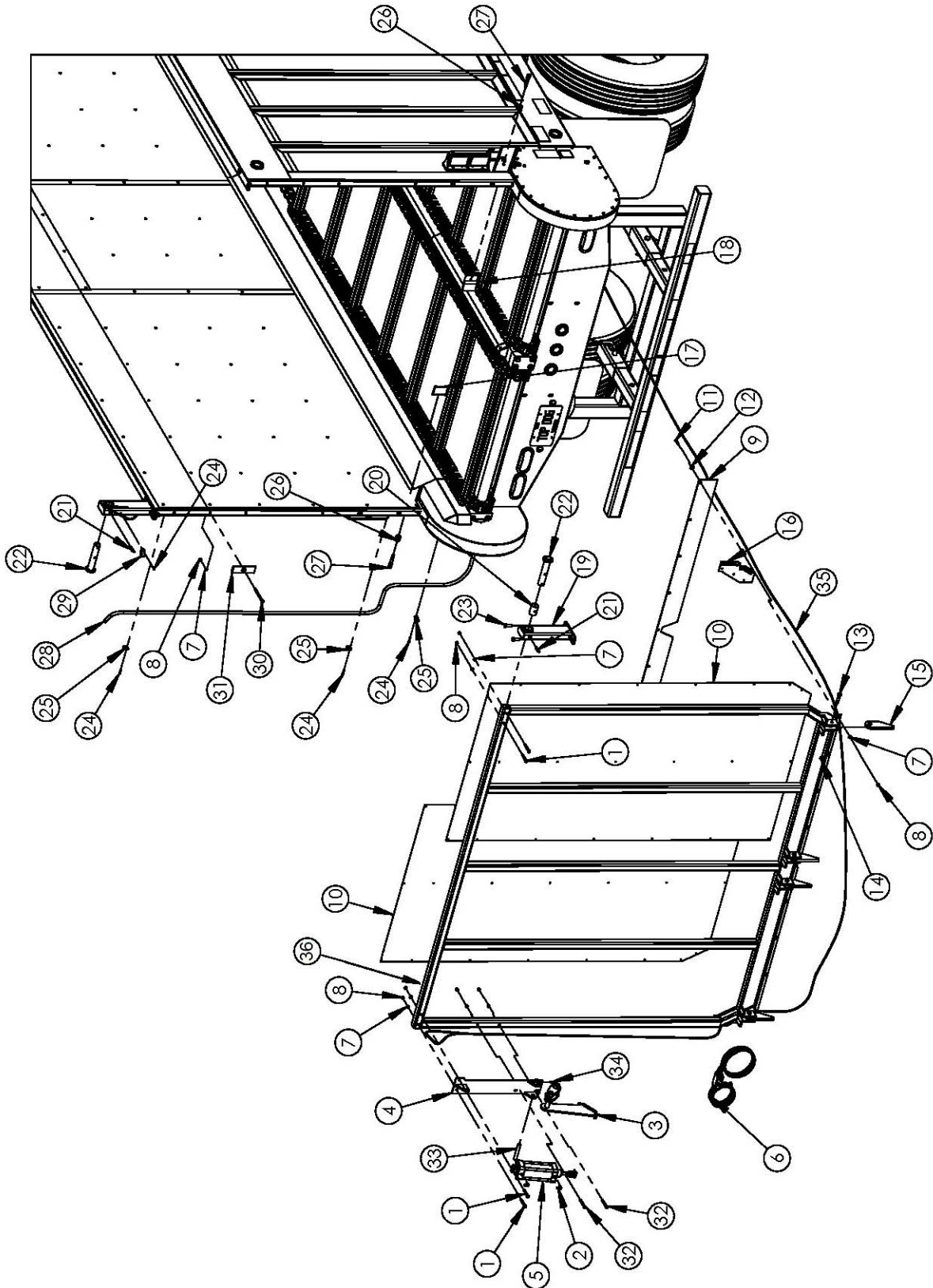
## FIGURE 8

### HYDRAULIC CIRCUIT

| <u>ITEM</u> | <u>QTY</u> | <u>PART #</u> | <u>DESCRIPTION</u>                                       |
|-------------|------------|---------------|--|
| 1           | 2          | 33SV73        | HYDRAULIC MOTOR  |
| 2           | 8          | YSDR66007     | SELF DRILLING SCREW, HEX WASHER HEAD, #12 X 1-1/4 (ZINC) |
| 3           | 1          | 53829         | 1" CHECK VALVE   |
| 4           | 2          | BBS50         | HYDRAULIC LINE SHORT 1.000                               |
| 5           | 2          | BBSTPI02      | HYDRAULIC LINE 1.00                                      |
| 6           | 4          | 1030          | 45° FEMALE ELBOW   |
| 7           | 2          | BBSTPI04      | NIPPLE 4.5 X 1   |
| 8           | 2          | 8021          | SWIVEL NUT ELBOW   |
| 9           | 2          | BBS65         | FEMALE CONNECTOR   |
| 10          | 2          | CHM182        | SWIVEL NUT RUN TEE                                       |
| 11          | 1          | BBS32         | 1.00" QUICK COUPLER-MALE                                 |
| 12          | 1          | DWM113        | SERVICE TEE .750   |
| 13          | 1          | BBS37         | BUSHING, 1 NPTF TO 1/4 NPTF                              |
| 14          | 1          | BBS33         | 4000 PSI GAUGE   |
| 15          | 1          | BBS31         | 1.00" QUICK COUPLER-FEMALE                               |
| 16          | 8          | BBS86         | PIPE CLAMP   |
| 17          | 2          | BBSTMS18      | HOSE, MOTOR RETURN                                       |
| 18          | 2          | BBSTMS17      | HOSE, PRESSURE TO MOTOR                                  |
| 19          | 4          | 54085         | HYD LINE EXTENSION                                       |
| *           | 1          | 61053         | MOTOR SEAL KIT   |

**NOTE: \* MEANS NOT SHOWN**

**FIGURE 9**  
**GATE DELAY**

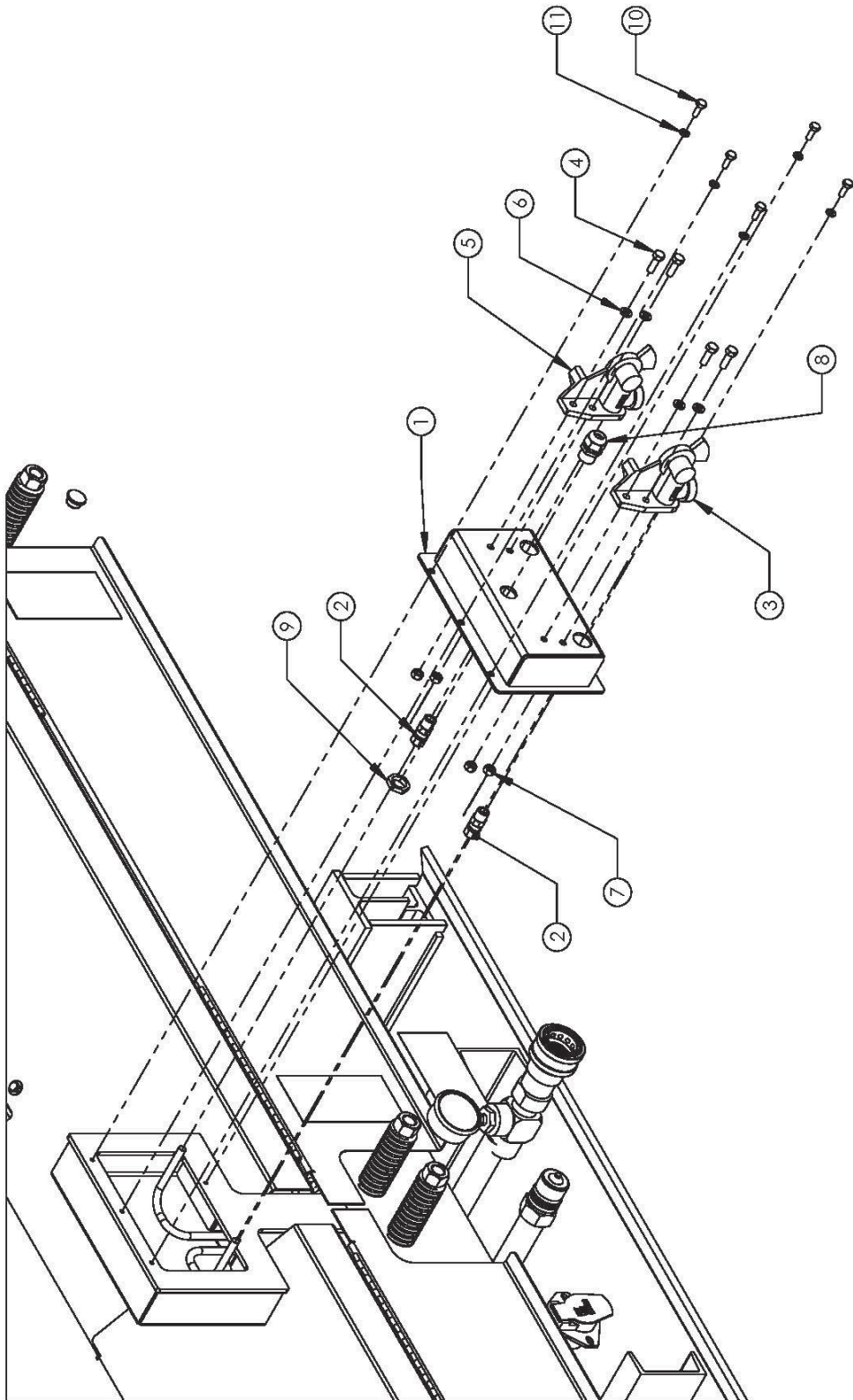


# FIGURE 9

## GATE DELAY

| <u>ITEM</u> | <u>QTY</u> | <u>PART #</u> | <u>DESCRIPTION</u>                          |
|-------------|------------|---------------|---|
| 1           | 4          | YBHH12110     | BOLT, 3/8" X 2-3/4" GR. 5                   |
| 2           | 2          | GD5           | MALE ELBOW, 1/4"                            |
| 3           | 1          | 0231WE03      | PIVOT                                       |
| 4           | 1          | 0231WE01      | CYLINDER BASE PLATE                         |
| 5           | 1          | GD52          | 3-1/4" X 6" AIR CYLINDER COMPLETE           |
| 6           | 1          | 61598         | HAND CONTROLLER (ON-OFF)                    |
| 7           | 16         | YWLO12005     | WASHER, LOCK, 3/8"                          |
| 8           | 16         | YNHX12005     | HEX NUT, 3/8"-16                            |
| 9           | 1          | BBS68         | DOOR RUBBER                                 |
| 10          | 1          | BBST16G06     | DOOR SKIN, RH                               |
| *           | 1          | 61409         | DOOR SKIN, LH                               |
| 11          | 9          | YBHH12035     | BOLT, 3/8" X 1-1/4" GR. 5                   |
| 12          | 9          | YWFL12005     | WASHER, FLAT, 3/8" USS                      |
| 13          | 4          | YBHH16080     | BOLT, 1/2" X 2-1/2" GR. 5                   |
| 14          | 4          | YNTL16005     | HEX NUT, TOP LOCK, 1/2"-13                  |
| 15          | 4          | BBS67         | LATCH                                       |
| 16          | 2          | 55902         | CORNER DOOR SEAL                            |
| 17          | 1          | 55970         | ROADSIDE DOOR STOP                          |
| 18          | 1          | 56155         | CURBSIDE DOOR STOP                          |
| 19          | 2          | BBS20         | STAKE TOP REAR ASSEMBLY                     |
| 20          | 2          | 56244         | BUSHING, DRIVE SHAFT                        |
| 21          | 2          | 16SV26        | 1/8" NPT X 2-3/32" 30 DEGREE ZERK           |
| 22          | 2          | BBS64         | DOOR HINGE PIN                              |
| 23          | 4          | YBHH16030     | BOLT, 1/2" X 1-1/2" GR. 5                   |
| 24          | 4          | YSDR66007     | SELF DRILLING SCREW, HEX WASHER HEAD, #12 X |
| 25          | 3          | 1097          | 1-1/4" (ZINC) 1/2" EMT CLAMP                |
| 26          | 4          | YWFL16005     | WASHER, FLAT, 1/2" USS                      |
| 27          | 4          | YBHH16085     | BOLT, 1/2" X 2-1/2" GR. 5 FULL THREAD       |
| 28          | 1          | 0227MS01      | AIR LINE SHIELD                             |
| 29          | 1          | HGV72         | SMALL TUBE HOLDER                           |
| 30          | 1          | YBCR12122     | CARRIAGE BOLT, 3/8" X 5-1/2"                |
| 31          | 1          | 0231PL01      | POLY BUMPER                                 |
| 32          | 2          | YBHH12120     | BOLT, 3/8" X 3" GR. 5                       |
| 33          | 1          | 0231SH02      | PIVOT PIN                                   |
| 34          | 1          | YPEX08015     | EXPANSION PIN, 1/4" X 1-3/4"                |
| 35          | 2          | 55852         | CYLINDER SUPPLY LINE 530" (BLACK)           |
| 36          | 1          | BBS38         | DOOR ASSEMBLY                               |

**FIGURE 10**  
**AIR CONNECTION**





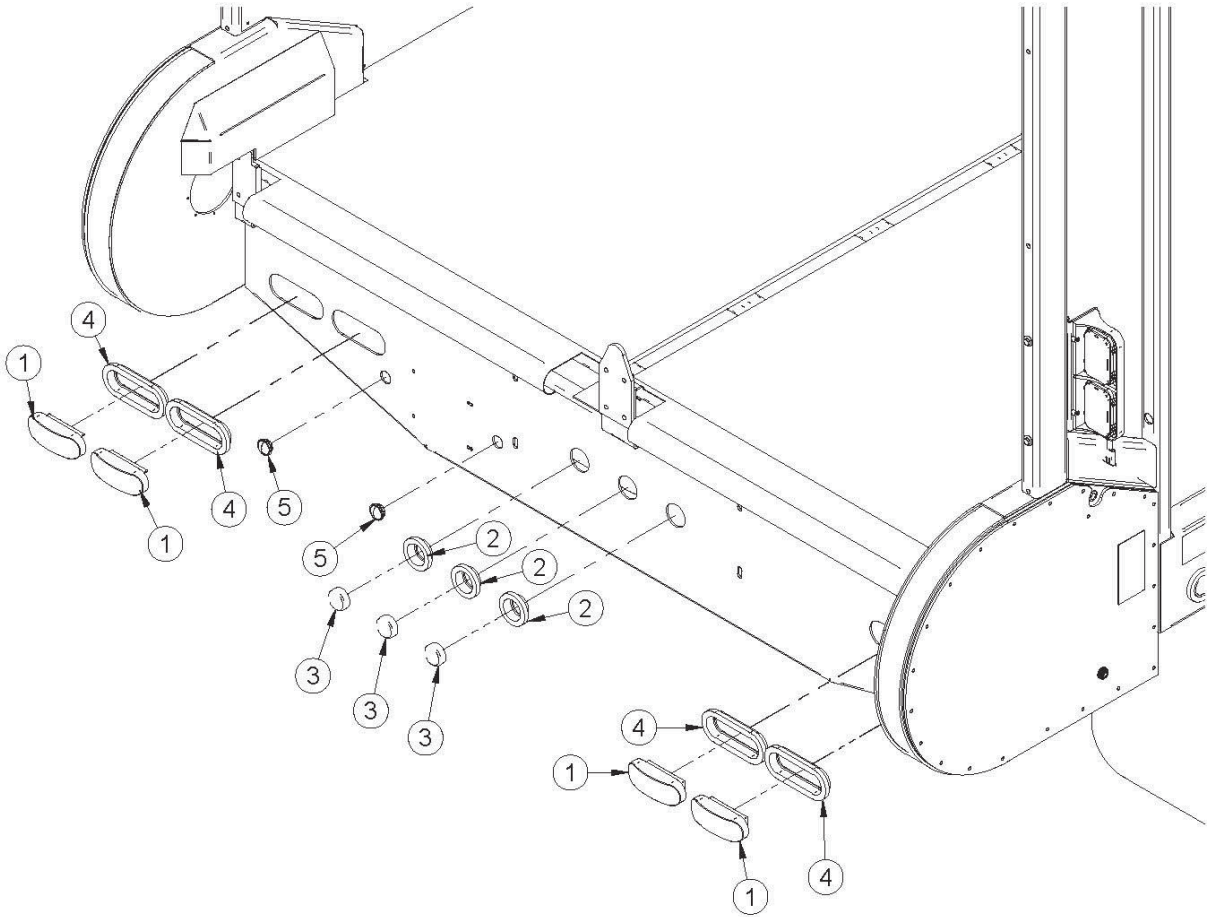
## FIGURE 10

### AIR CONNECTION

| <u>ITEM</u> | <u>QTY</u> | <u>PART #</u> | <u>DESCRIPTION</u>           |
|-------------|------------|---------------|------------------------------|
| 1           | 1          | BBSTWE27      | NOSE BOX                     |
| 2           | 2          | 1032          | 3/8" MALE CONNECTOR (D.O.T.) |
| 3           | 1          | 1015          | 37 DEGREE EMERGENCY GLADHAND |
| 4           | 4          | YBHH10010     | BOLT, 5/16" X 1" GR. 5       |
| 5           | 1          | 1014          | 37 DEGREE SERVICE GLADHAND   |
| 6           | 4          | YWLO10005     | 5/16" LOCK WASHER GR. 5      |
| 7           | 4          | YNHX10010     | HEX NUT, 5/16"-18 GR. 5      |
| 8           | 1          | GD23          | STRAIN RELIEF (CONNECTOR)    |
| 9           | 1          | 56120         | STRAIN RELIEF LOCK NUT       |
| *           | 1          | BBSTAS16      | NOSE BOX ASSEMBLY            |
| 10          | 5          | YBHH08100     | BOLT, 1/4" X 3/4" GR. 5      |
| 11          | 5          | YWLO08005     | WASHER, LOCK, 1/4            |

**NOTE: \* MEANS NOT SHOWN**

**FIGURE 11**  
**REAR TRANSPORT LIGHTING**

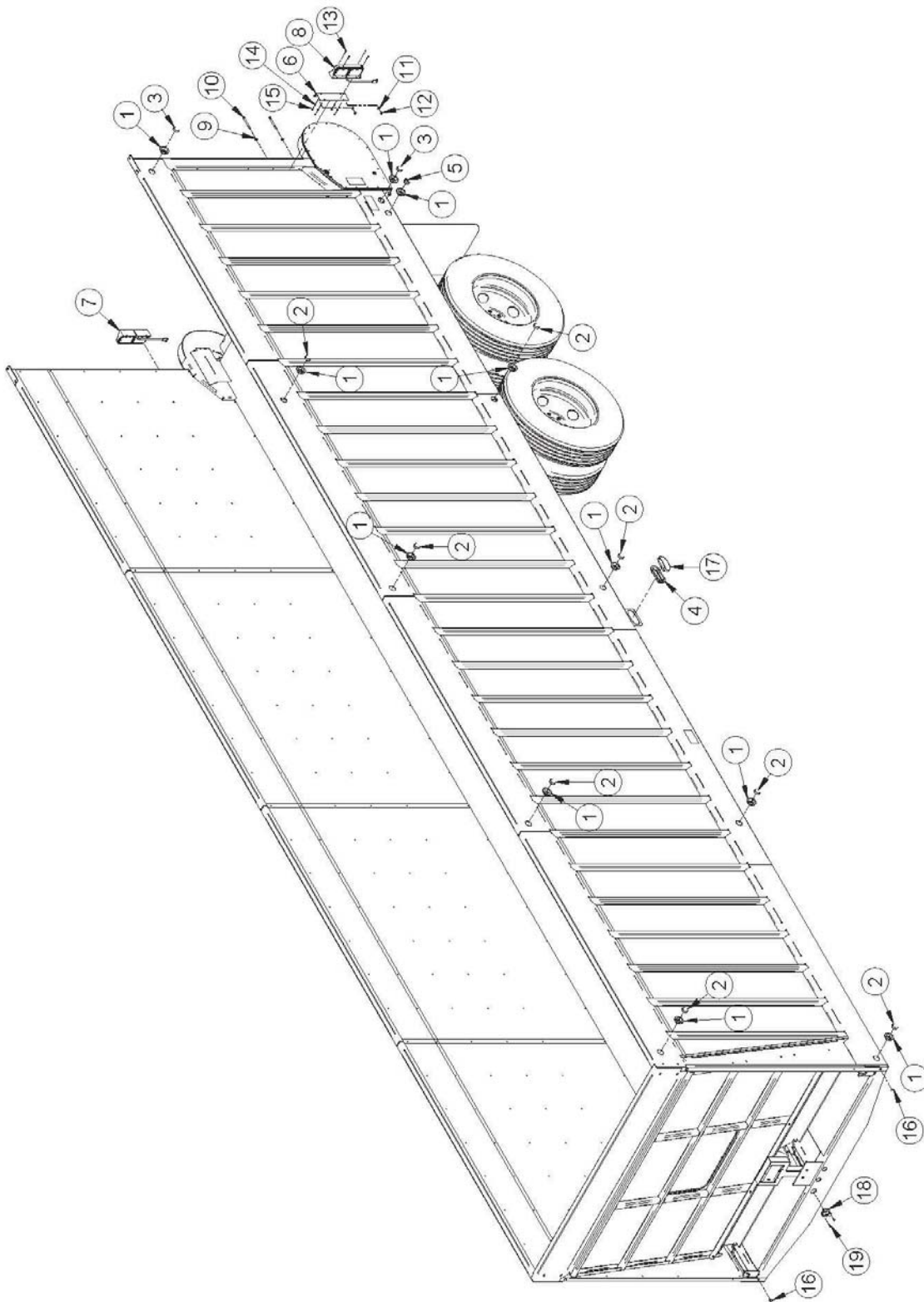


## FIGURE 11

### REAR TRANSPORT LIGHTING

| <u>ITEM</u> | <u>QTY</u> | <u>PART #</u> | <u>DESCRIPTION</u>                            |
|-------------|------------|---------------|---|
| 1           | 4          | BBS96         | LED OVAL LIGHT, RED                           |
| 2           | 3          | BBS91         | LIGHT GROMMET, ROUND                          |
| 3           | 3          | BBS92         | MARKER LIGHT, RED ROUND                       |
| 4           | 4          | S308          | LIGHT GROMMET, OVAL                           |
| 5           | 2          | BBS98         | LICENSE LIGHT                                 |
| *           | 1          | 58709         | AL3108 WIRE HARNESS                           |
| *           | 1          | 53993         | (NOTE: JUST ON TD40) WIRING HARNESS EXTENSION |

**FIGURE 12**  
**TRANSPORT LIGHTING**



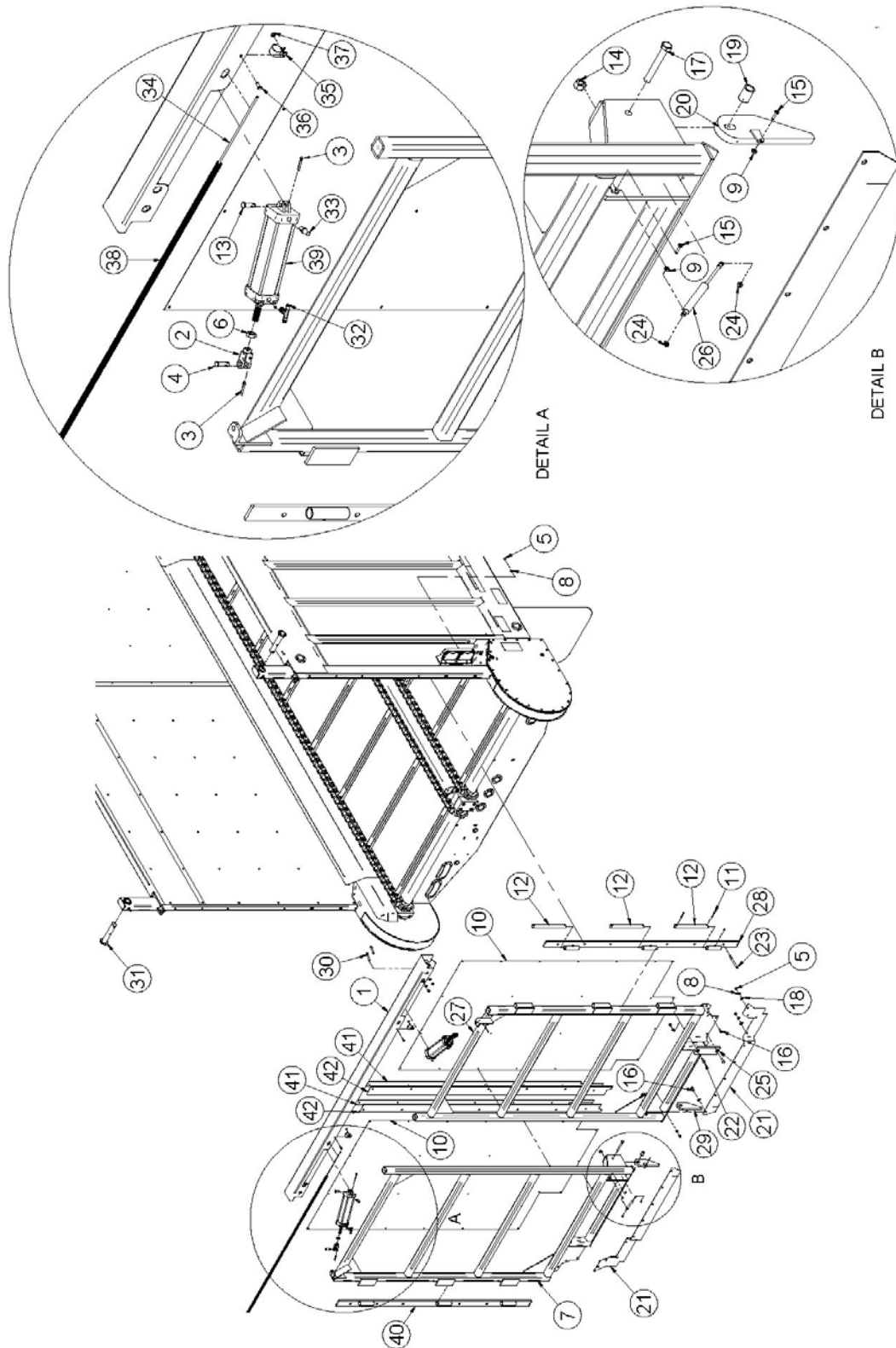
## FIGURE 12

### TRANSPORT LIGHTING

| <u>ITEM</u> | <u>QTY</u> | <u>PART #</u> | <u>DESCRIPTION</u>                         |
|-------------|------------|---------------|--|
| 1           | 21         | BBS91         | LIGHT GROMMET, ROUND                       |
| 2           | 16         | BBS93         | MARKER LIGHT, AMBER ROUND                  |
| 3           | 2          | BBS92         | MARKER LIGHT, RED ROUND                    |
| 4           | 2          | BBS95         | LIGHT GROMMET, OVAL                        |
| 5           | 1          | BBS94         | ABS LIGHT, 2.0" ROUND                      |
| 6           | 2          | BBST10G28     | UPPER TAIL LIGHT MOUNT                     |
| 7           | 1          | TFM72         | LED TAIL LIGHT ASSY. RIGHT                 |
| 8           | 1          | TFM71         | LED TAIL LIGHT ASSY. LEFT                  |
| 9           | 4          | YWFL12005     | FLAT WASHER, 3/8", GR. 5                   |
| 10          | 4          | YBHH12200     | BOLT, 3/8 X 5 GR 5                         |
| 11          | 4          | YWLO12005     | LOCK WASHER, 3/8",                         |
| 12          | 4          | YNHX12005     | HEX NUT, 3/8"-16                           |
| 13          | 8          | YSPP64010     | #10-32 X 1" PHILLIPS HEAD MACHINE SCREW    |
| 14          | 8          | YWSI64005     | WASHER, LOCK, STAR, INTERNAL/EXTERNAL, #10 |
| 15          | 8          | YNHX64005     | HEX NUT, #10-32                            |
| 16          | 2          | 8033          | 3/4 ROUND AMBER LED                        |
| 17          | 2          | 8032          | MID TURN SIGNAL LIGHT                      |
| 18          | 1          | 1031          | WIRING HARNESS                             |
| 19          | 2          | YBHH08100     | BOLT, 1/4" X 3/4" GR. 5                    |

# FIGURE 13

## OPTONAL BARN DOORS



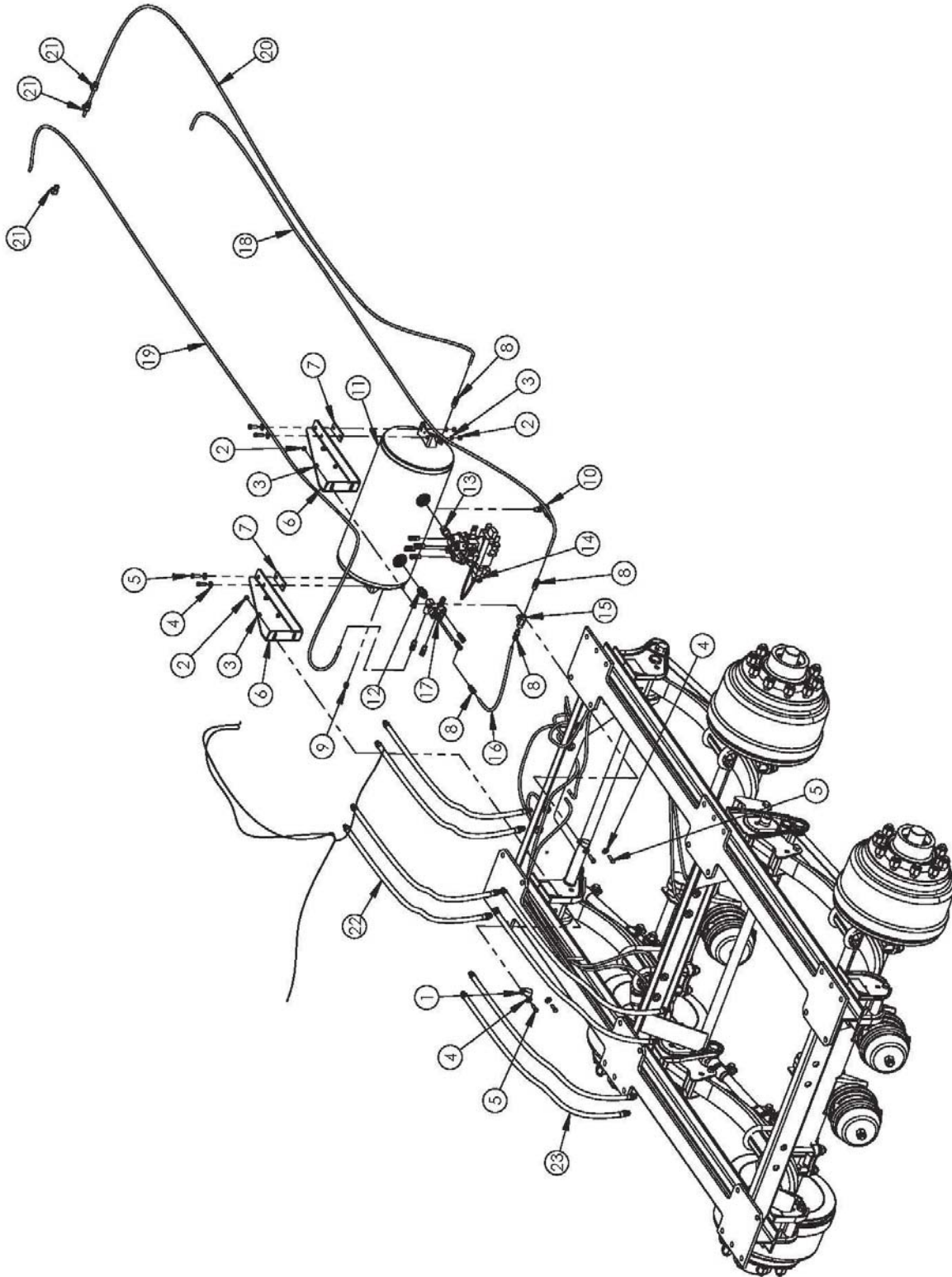
# FIGURE 13

## OPTIONAL BARN DOORS

| <u>ITEM</u> | <u>QTY</u> | <u>PART #</u> | <u>DESCRIPTION</u>                                    |
|-------------|------------|---------------|---|
| 1           | 1          | 0227WE01      | TOP CHANNEL   |
| 2           | 2          | 8542          | .625-18 CLEVIS  |
| 3           | 2          | YPCT05005     | COTTER PIN, 5/32" X 1"                                |
| 4           | 2          | 8544          | 1/2 DIA X 1-1/2 CLEVIS PIN                            |
| *           | 1          | 56264         | CLEVIS ASSEMBLY (INCLUDES ITEM # 2, 3 & 4)            |
| 5           | 2          | 8543          | 1/2 DIA X 1-3/8 CLEVIS PIN                            |
| 6           | 2          | YNJM20010     | HEX NUT, JAM, 5/8"-18                                 |
| 7           | 1          | 0227WE04      | DOOR LEFT   |
| 8           | 34         | YWLO12005     | LOCK WASHER, 3/8",                                    |
| 9           | 2          | YNHX62005     | 8-32 ZINC PLATED NUT                                  |
| 10          | 1          | 022716G01     | DOOR PANEL, RH  |
| *           | 1          | 66286         | DOOR SKIN, LH   |
| 11          | 12         | YPEX08015     | EXPANSION PIN, 1/4 X 1 3/4                            |
| 12          | 6          | 0227SH01      | HINGE PIN   |
| 13          | 34         | YNHX12005     | HEX NUT, 3/8"-16                                      |
| 14          | 2          | YNTL16005     | HEX NUT, TOP LOCK, 1/2-13                             |
| 15          | 2          | 1135          | #8-32 x .75 MACHINE SCREW, PHILLIPS HEAD, ZINC PLATED |
| 16          | 16         | YBHH12010     | 3/8-16 x 1 HEX CAP SCREW GRADE 5                      |
| 17          | 2          | YBHH16115     | BOLT, 1/2" X 3-1/2" GR. 5                             |
| 18          | 34         | YWFL12005     | FLAT WASHER, 3/8", GR. 5                              |
| 19          | 2          | 0227PI02      | LATCH SPACER  |
| 20          | 1          | 0227WE07      | LATCH LEFT  |
| 21          | 2          | 0227RU01      | DOOR SEAL BOTTOM                                      |
| 22          | 4          | YBCR12020     | CARR. BOLT, 3/8" X 1-1/4" GR. 5                       |
| 23          | 12         | YBHH12200     | BOLT, 3/8 X 5 GR 5                                    |
| 24          | 2          | YNNY62005     | 8-32, HEX NYLON INSERT LOCKNUT                        |
| 25          | 2          | 0227PL01      | POLY BUMPER   |
| 26          | 2          | SD190         | GAS STRUT   |
| 27          | 1          | 0227WE05      | DOOR RIGHT  |
| 28          | 1          | 0227WE03      | STAKE HINGE RIGHT                                     |
| 29          | 1          | 0227WE08      | LATCH RIGHT   |
| 30          | 4          | YBHH12110     | BOLT, 3/8" X 2-3/4" GR. 5                             |
| 31          | 2          | BBS64         | DOOR HINGE PIN  |
| 32          | 2          | GD26          | MALE BRANCH TEE 1/4"                                  |
| 33          | 2          | GD7           | 1/4" VENT PLUG (CONE SHAPED)                          |
| 34          | 1          | 0227MS03      | CYLINDER TIE AIR LINE                                 |
| 35          | 2          | HGV72         | WIRE CLAMP #12  |
| 36          | 2          | YBHH08100     | BOLT, 1/4 X 3/4 GR 5                                  |
| 37          | 2          | YNHX08005     | 1/4"-20 TOP LOCK NUT                                  |
| 38          | 1          | 0227MS02      | WIRE LOOM   |
| 39          | 2          | GD49          | 2.5 AIR CYLINDER                                      |
| 40          | 1          | 0227WE02      | STAKE HINGE LEFT                                      |
| 41          | 2          | 02273G05      | DOOR SEAL HOLD DOWN                                   |
| 42          | 2          | 0227RU02      | DOOR SEAL   |

**NOTE: \* MEANS NOT SHOWN**

**FIGURE 14**  
**SPRING SUSPENSION**





# FIGURE 14

## SPRING SUSPENSION

| <u>ITEM</u> | <u>QTY</u> | <u>PART #</u> | <u>DESCRIPTION</u>                    |
|-------------|------------|---------------|---------------------------------------|
| 1           | 2          | HGV72         | SMALL TUBE HOLDER                     |
| 2           | 8          | YNHX12005     | HEX NUT, 3/8"-16                      |
| 3           | 8          | YWLO12005     | WASHER, LOCK, 3/8"                    |
| 4           | 8          | YWFL12005     | WASHER, FLAT, 3/8" USS                |
| 5           | 8          | YBHH12035     | BOLT, 3/8" - 16 X 1-1/4" GR. 5        |
| 6           | 2          | 54101         | AIR TANK HOLDER                       |
| 7           | 2          | 1006          | AIR TANK RUBBER MOUNT                 |
| 8           | 13         | 1032          | 3/8" MALE CONNECTOR                   |
| 9           | 1          | 1040          | 3/8" SQ HD PIPE PLUG                  |
| 10          | 1          | 1041          | 1/4" LANYARD VALVE (36" LANYARD)      |
| 11          | 1          | 1005          | 12" DIA. AIR TANK W/ 3 PORTS          |
| 12          | 1          | LW99          | REDUCER, 3/4" X 1/2"                  |
| 13          | 1          | LW98          | ADAPTER, 3/4" CLOSE NIPPLE            |
| 14          | 1          | 1013          | MERITOR WABCO ABS KIT                 |
| 15          | 1          | WM146         | ELBOW, STREET, 3/8"                   |
| 16          | 1          | 55634         | SUPPLY LINE, 15" (BLUE)               |
| 17          | 1          | 1010          | ABS SPRING BRAKE VALVE                |
| 18          | 1          | 55746         | SUPPLY LINE, 134.5" (BLUE)            |
| 19          | 1          | 54489         | SUPPLY LINE, 149" (RED)               |
| 20          | 1          | 55745         | SUPPLY LINE, 137.5" (BLACK)           |
| 21          | 3          | 55798         | MALE ELBOW, 3/8" NPT TO 3/8" COMPLETE |
| 22          | 4          | 1115          | PANCAKE HOSE FRONT                    |
| 23          | 4          | 1116          | PANCAKE HOSE BACK                     |
| *           | 1          | 1037          | 3/4" HEX SCKT PIPE PLUG               |

**NOTE: \* MEANS NOT SHOWN**

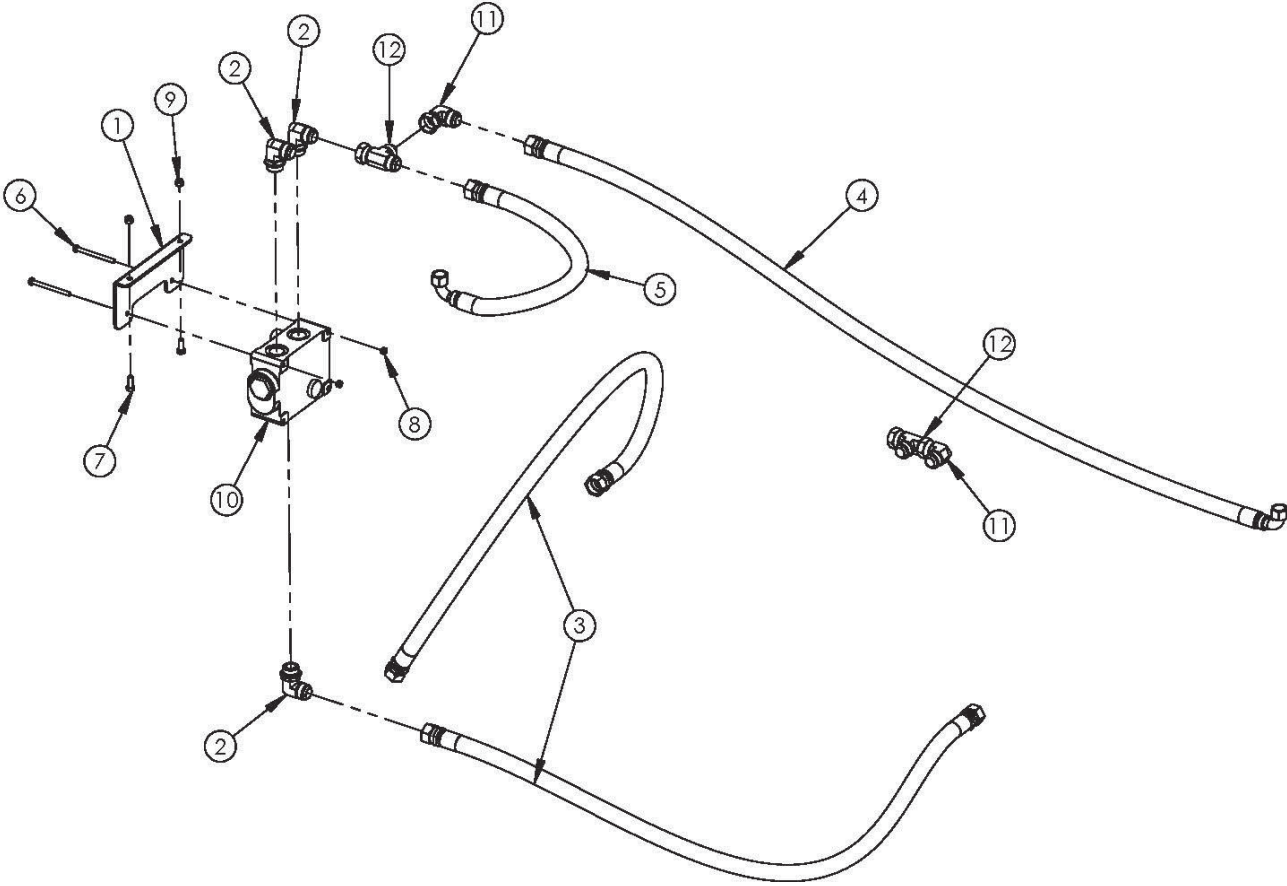


## FIGURE 15

### GRAIN KIT

| <u>ITEM</u> | <u>QTY</u> | <u>PART #</u> | <u>DESCRIPTION</u>              |
|-------------|------------|---------------|---------------------------------|
| 1           | 4          | S308          | LIGHT GROMMET, OVAL             |
| 2           | 4          | S310          | OVAL LIGHT, RED                 |
| 3           | 3          | BBS92         | MARKER LIGHT, RED ROUND         |
| 4           | 3          | BBS91         | LIGHT GROMMET, ROUND            |
| 5           | 1          | DWM324        | SAFETY SNAP PIN                 |
| 6           | 1          | YBHH12100     | BOLT, 3/8" X 2-1/4" GR. 5       |
| 7           | 9          | YWFL12005     | WASHER, FLAT, 3/8" USS          |
| 8           | 1          | YNL12005      | HEX NUT, TOP LOCK, 3/8"-16      |
| 9           | 10         | YBHH08010     | BOLT, 1/4" X 1" GR. 5           |
| 10          | 1          | GH7           | HOPPER WINDOW                   |
| 11          | 10         | YWFL08005     | WASHER, FLAT, 1/4" USS          |
| 12          | 10         | YNNY08005     | HEX NUT, NYLON LOCKNUT, 1/4"-20 |
| 13          | 1          | 0226RU02      | UPPER HOPPER SEAL               |
| 14          | 1          | BBS68         | DOOR RUBBER                     |
| 15          | 2          | 0226MS01      | 1-1/4" BRUSH HOLDER             |
| 16          | 2          | 0226MS04      | 2" BRUSH LONG                   |
| 17          | 2          | YBHH12130     | BOLT, 3/8" X 3/4" GR. 2         |
| 18          | 4          | YNHX12005     | HEX NUT, 3/8"-16                |
| 19          | 1          | GH8           | FOLDING CRANK                   |
| 20          | 1          | 0226WE04      | REAR DOOR DRIVE                 |
| 21          | 1          | GH11          | DRAG BLOCK TIGHTENER            |
| 22          | 1          | 0226WE02      | SIDE EXTENSION RIGHT            |
| 23          | 1          | 0226WE03      | SIDE EXTENSION LEFT             |
| 24          | 4          | YBHH12200     | BOLT, 3/8" X 5" GR. 5           |
| 25          | 1          | GH4           | REAR HOPPER DOOR                |
| 26          | 2          | HGV162        | 1/2" RUBBER WIRE HOLDER         |

**FIGURE 16**  
**FLOW CONTROL KIT**

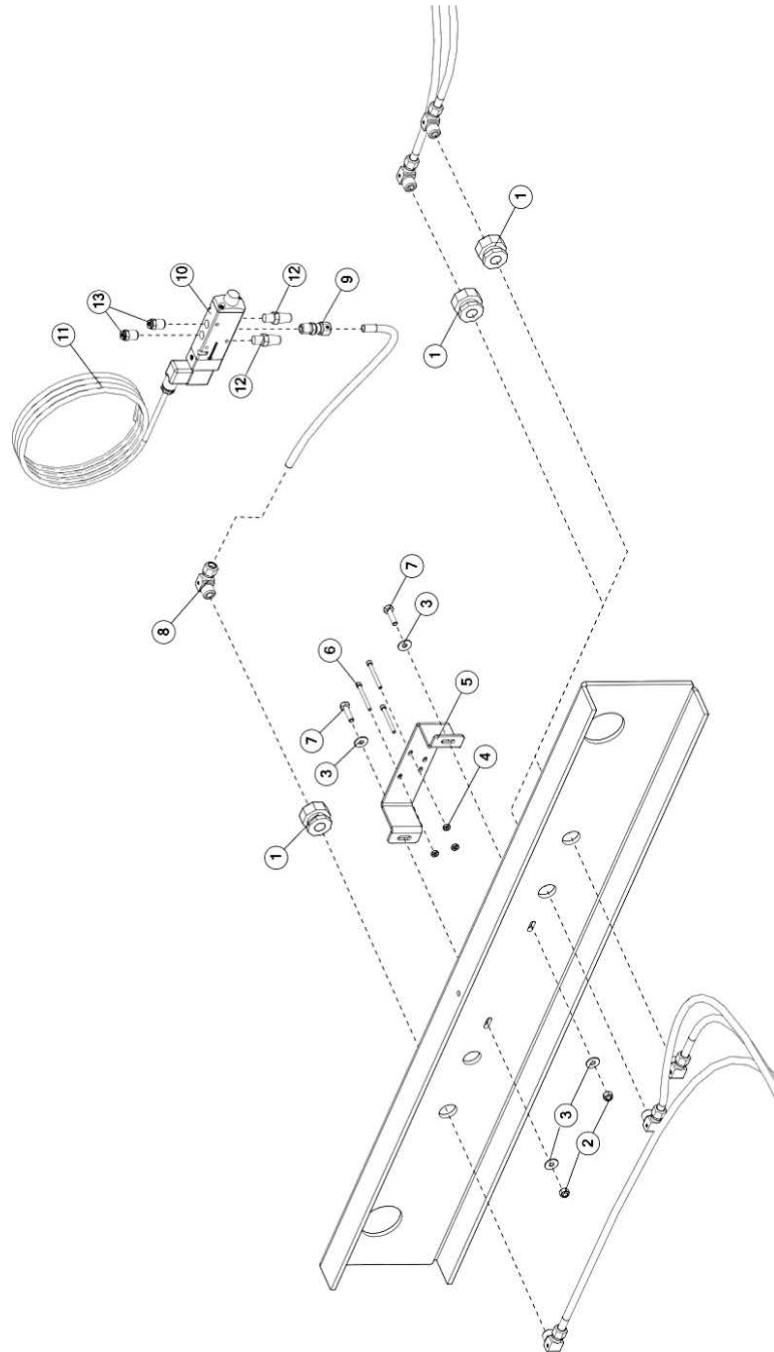


## FIGURE 16

### FLOW CONTROL KIT

| <u>ITEM</u> | <u>QTY</u> | <u>PART #</u> | <u>DESCRIPTION</u>              |
|-------------|------------|---------------|---------------------------------|
| 1           | 1          | 02266G02      | FLOW CONTROL MOUNT              |
| 2           | 3          | BBS52         | STRAIGHT THREAD ELBOW           |
| 3           | 2          | BBSTMS24      | PSI TO FLOW                     |
| 4           | 1          | BBSTMS25      | HOSE, FLOW TO MOTOR, LONG       |
| 5           | 1          | BBSTMS26      | HOSE, FLOW TO MOTOR, SHORT      |
| 6           | 2          | YBHH10112     | BOLT, 5/16"-18 X 3-3/4" GR. 5   |
| 7           | 2          | YBHH12010     | BOLT, 3/8" X 1" GR. 5           |
| 8           | 2          | YNHX10005     | HEX NUT, 5/16"                  |
| 9           | 2          | YNNY12005     | HEX NUT, NYLON LOCKNUT, 3/8"-16 |
| 10          | 1          | BBS51         | FLOW CONTROL                    |
| 11          | 2          | 8021          | SWIVEL NUT ELBOW                |
| 12          | 2          | CHM182        | SWIVEL NUT RUN TEE              |

**FIGURE 17**  
**AIR VALVE FOR GATE DELAY**



## FIGURE 17

### AIR VALVE FOR GATE DELAY

| <u>ITEM</u> | <u>QTY</u> | <u>PART #</u> | <u>DESCRIPTION</u>                          |
|-------------|------------|---------------|---|
| 1           | 3          | 1114          | 3/8" x 3/8" BULKHEAD NIPPLE                 |
| 2           | 2          | YNNY08005     | HEX NUT, NYLON LOCKNUT, 1/4-20              |
| 3           | 4          | YWFL08005     | WASHER, FLAT, 1/4 USS                       |
| 4           | 3          | YNHX62005     | #8-32 ZINC PLATED NUT                       |
| 5           | 1          | 54510         | AIR VALVE MOUNTING BRACKET                  |
| 6           | 3          | YSHS62005     | SOCKET HEAD CAP SCREW, #8-32 X 1-3/4 X 1.00 |
| 7           | 2          | YBHH08010     | BOLT, 1/4 X 1 GR 5                          |
| 8           | 1          | 55798         | MALE ELBOW, 3/8 NPT TO 3/8 COMP             |
| 9           | 1          | 58651         | 1/4" to 3/8" DOT FITTING                    |
| 10          | 1          | 8031          | GATE DELAY AIR VALVE (4 WAY)                |
| 11          | 2          | 1093          | DIN CORD                                    |
| 12          | 2          | GD7           | 1/4" VENT PLUG (CONE SHAPED)                |
| 13          | 2          | GD6           | MALE COUPLER                                |







# **H&S MFG. CO.**

products approved

for the

## **FEMA**

# **SEAL OF QUALITY**

