



**TF6128**  
***TWIN-FLEX* MERGER**  
**PARTS BOOK**

Part #79759    HSMFG010223    Rev. #07    Starting Ser. #321TF62801

**STRONG HERITAGE - STRONG PEOPLE - STRONGER FUTURE**

<b>FIGURE #</b>	<b>CONTENTS</b>	<b>PAGE #</b>
*	INSTRUCTIONS FOR ORDERING PARTS	1
1	HITCH COMPONENTS	2-3
2	MAIN POLE & LOCK POST	4-5
3	FILTER & COMPONENTS	6-7
4	AXLE BASE COMPONENTS	8-9
5	REAR FRAME & COMPONENTS	10-11
6	SIDE SHIELD & COMPONENTS	12-13
7	SUSPENSION & COMPONENTS	14-17
8	HEAD FRAME & COMPONENTS	18-19
9	REEL IDLER & COMPONENTS	20-21
10	TINE BAR & COMPONENTS	22-23
11	GEAR BOX	24-25
12	DRIVE ROLLER & COMPONENTS	26-27
13	SKID SHOE & COMPONENTS	28-29
14	BELT & COMPONENTS	30-31
15	DEFLECTOR & COMPONENTS	32-33
16	HEAD LOCK BRACKET & COMPONENTS	34-35
17	MAIN POLE HYDRAULIC	36-37
18	UNFOLD HYDRAULICS	38-39
19	SUSPENSION HYDRAULICS	40-41
20	HYDRAULIC MOTOR & COMPONENTS	42-43
21	HYDRAULIC VALVE	44-45
22	ACCUMULATOR & HYDRAULIC	46-47
23	HEAD HYDRAULIC VALVE	48-49
24	PTO 1-3/8 1000RPM STANDARD	50-51
25	PTO 1-3/8 1000RPM LONG	52-53
26	PTO 1-3/4 1000RPM STANDARD	54-55
27	PTO 1-3/4 1000RPM LONG	56-57
28	REMOTE FILTER	58-59
29	DISPLAY MOUNT	60-61
30	LIGHTS	62-63
31	ELECTRICAL	64-65
32	OPTIONAL TFOHSS - HYDRAULIC SKID SHOE KIT	66-67
33	OPTIONAL TFODDCC - DUAL MOTOR	68-69
*	PARTS NOTES	70



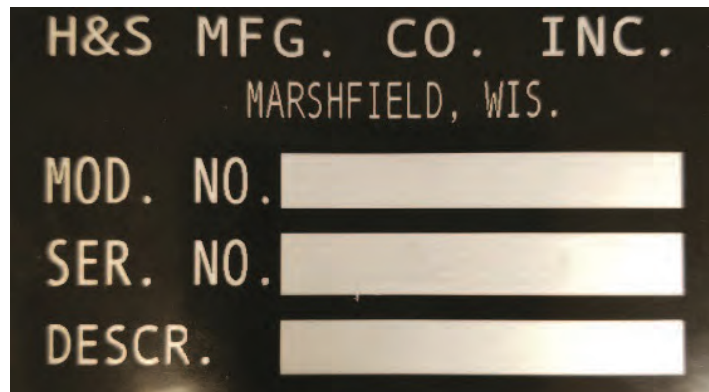
# INSTRUCTIONS FOR ORDERING PARTS

All service parts should be ordered through your authorized H&S dealer. Your Dealership will be able to give you faster service if you will provide them with the following:

1. All references to left or right apply to the machine as viewed from the rear.
2. Parts should not be ordered from illustration only. Please order complete part number.
3. If your dealer has to order parts - give shipping instructions:

VIA truck - large pieces (please specify local truck lines)

VIA United Parcel Service (include full address)



PLEASE RECORD NUMBERS FOR YOUR UNIT FOR QUICK REFERENCE

H&S IS CONTINUALLY STRIVING TO IMPROVE ITS PRODUCTS

We must, therefore, reserve the right to make improvements or changes whenever it becomes practical to do so, without incurring any obligation to make changes or additions to the equipment previously sold.







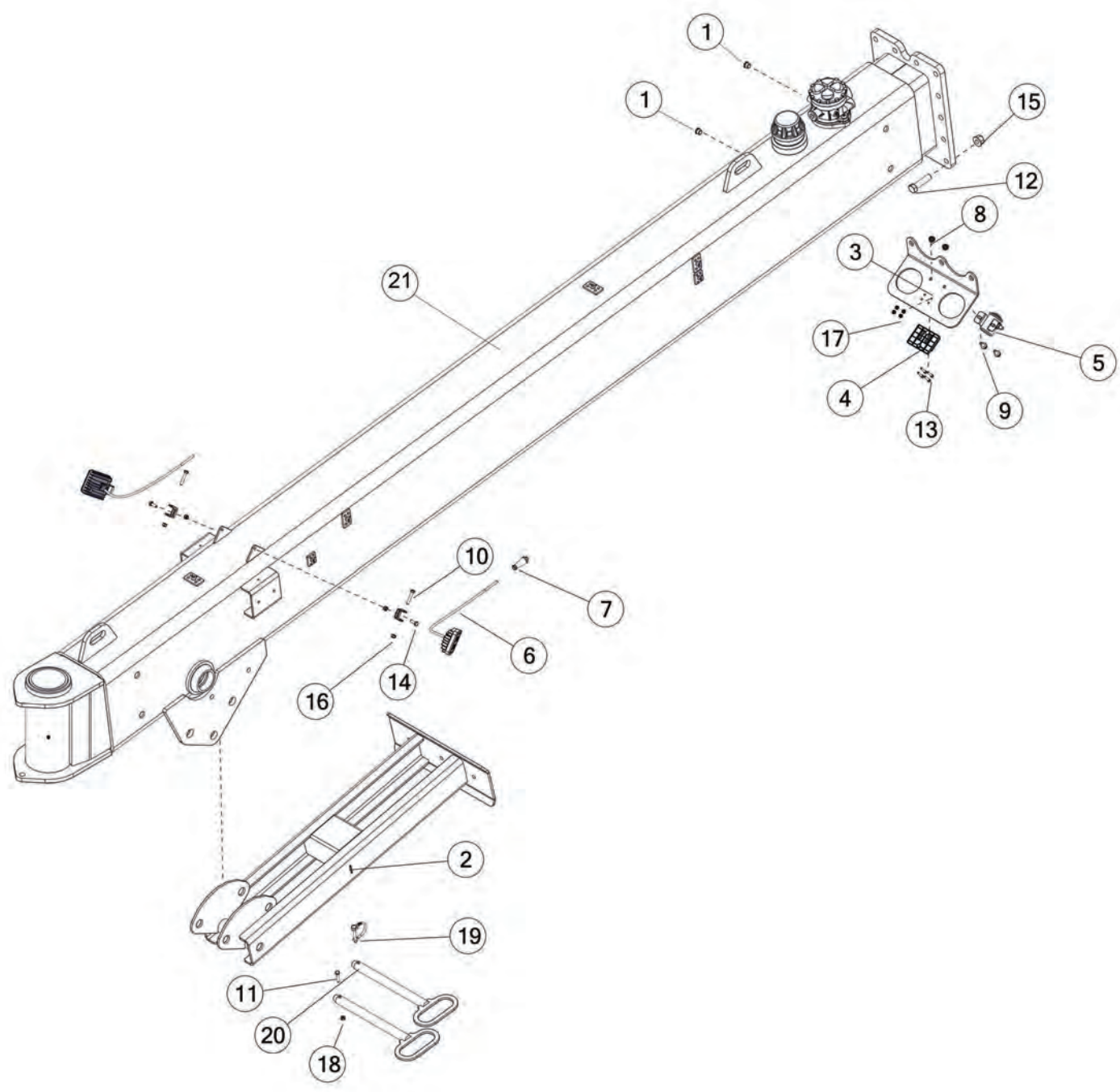
# FIGURE 1 HITCH COMPONENTS

REF #	PART #	DESCRIPTION	QTY
1	79171B	3 PT HITCH W/DECALS	1
2	79340B	PTO SHIELD COVER W/DECALS	1
3	79339	PTO LOWER SHIELD	1
4	79333	COVER SPACER, .25	1
5	79331	COVER SPACER, .375	1
6	PTMWE65	HITCH PIN	2
7	PTMTU56	CAT 3 ADAPTER TUBE	2
8	79165	3 PT HITCH PIVOT PIN	1
9	79158	3 PT HITCH PIVOT	1
10	79219	HOSE HOLDER	1
11	S522	MANUAL HOLDER	1
12	70157	BUSHING	2
13	79167	PIVOT CAP	1
14	DWM324	SNAPPER PIN	1
15	PTMMS120	BUSHING	2
16	RG24	BRONZE THRUST WASHER	2
17	SHM2MS29	HITCH THRUST WASHER	1
18	YPCT05010	COTTER PIN, 5/32 X 1-1/2	1
19	YPEX08010	EXPANSION PIN, 1/4 X 1-1/4	1
20	YPLY06010	LYNCH PIN, 3/16 X 1-9/16	1
21	YNRL12005	NUT HEX, 3/8-16 LKRS	1
22	G89	STRAIGHT ZERK 1/4-28 X 90	2
23	56596	CLAMP CUSHION (SET OF 2)	2
24	79432	HOSE TAG	1
25	79341	SHIELD PIN	1
26	YBFB08050	BOLT FLANGE, 1/4 X 4 G5	1
27	YBFB16200	BOLT FLANGE, 1/2 X 2 G5	5
28	YBHH16165	BOLT HEX, 1/2 X 6 G5	1
29	YBHH16180	BOLT HEX, 1/2-13 X 7 G5	1
30	YBFB08100	BOLT FLANGE, 1/4 X 1 G5	1
31	YNFG08010	NUT FLANGE, 1/4	1
32	YNFG16003	NUT FLANGE, 1/2	6
33	YNNY16005	NUT HEX, 1/2-13 G2	1
34	YBFB12300	BOLT FLANGE, 3/8 X 3 G5	1

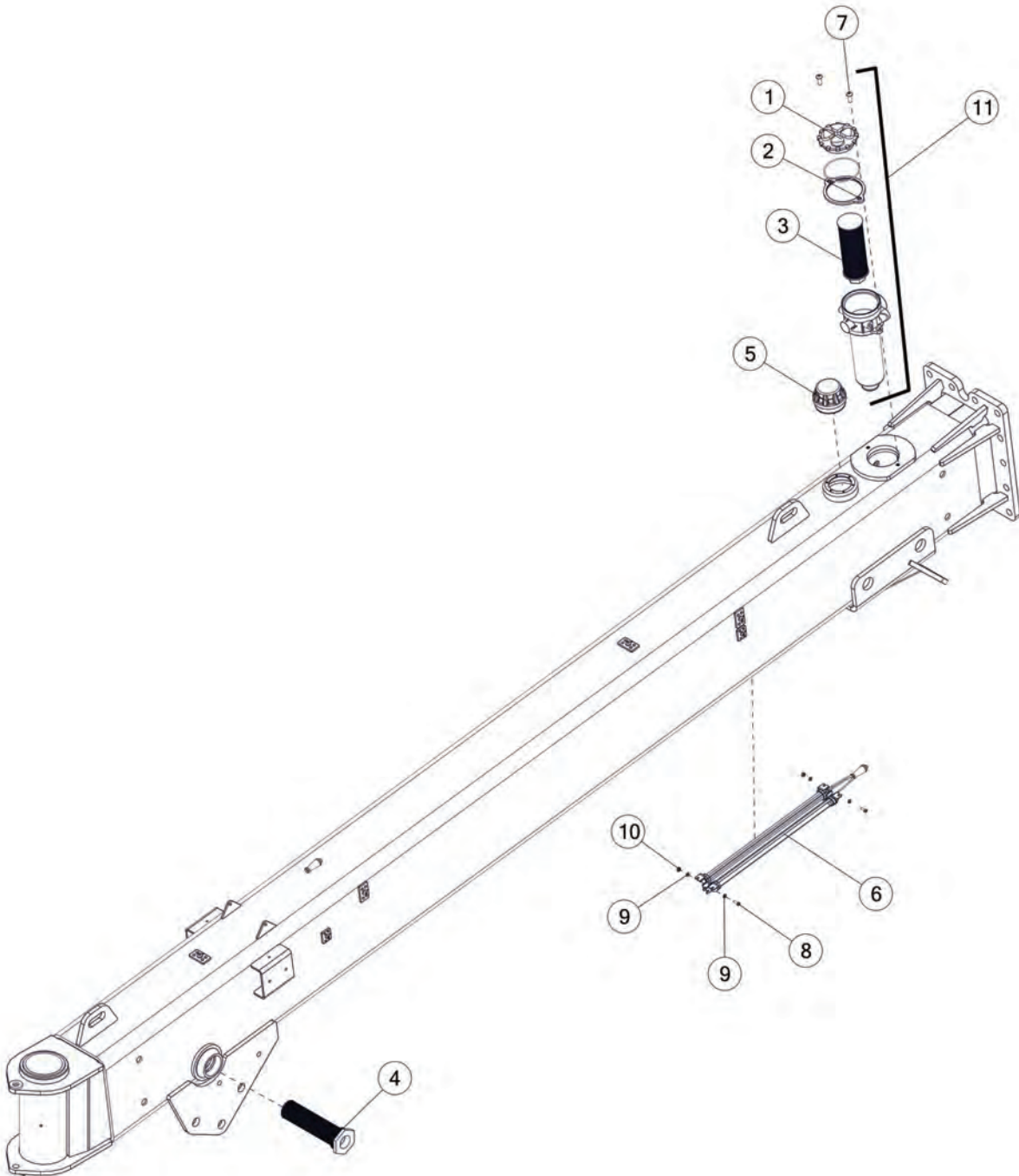




**FIGURE 2**  
**MAIN POLE & LOCK POST**





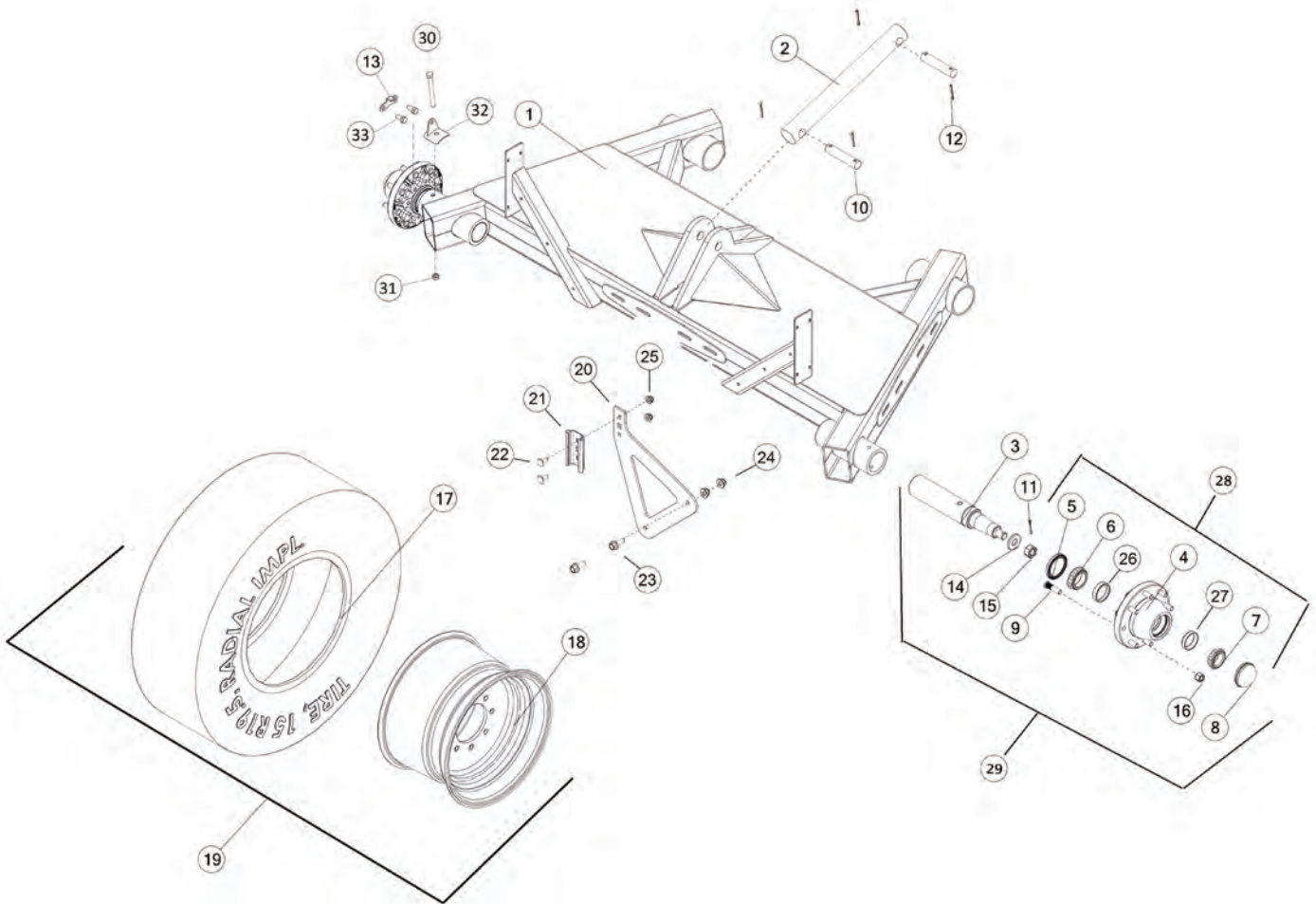








# FIGURE 4 AXLE BASE & COMPONENTS





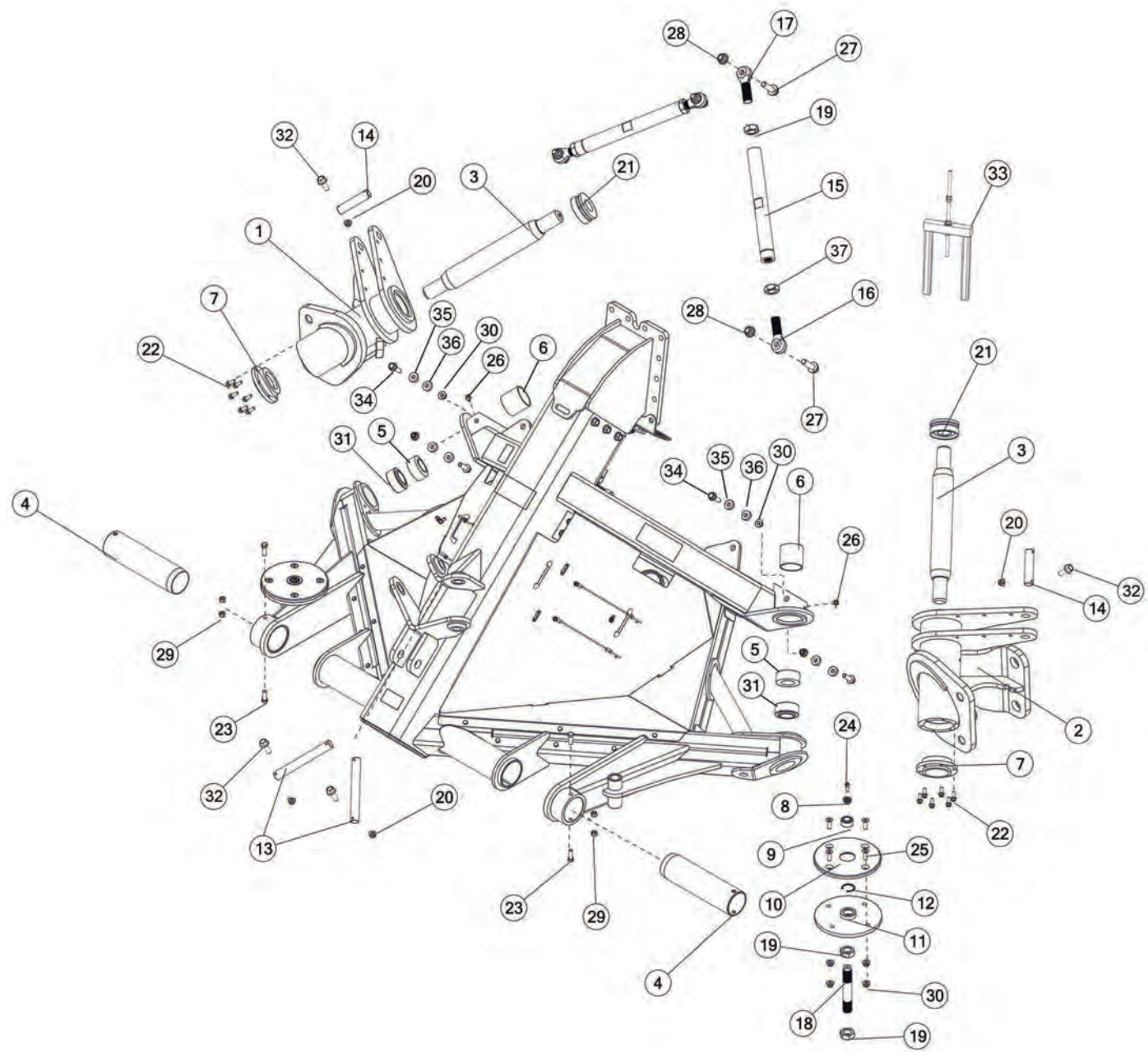
# FIGURE 4 AXLE BASE & COMPONENTS

REF #	PART #	DESCRIPTION	QTY
1	78988B	MERGER TAIL DECK W/DECALS	1
2	86333	CONNECTING LINK	1
3	78990	SPINDLE	2
4	PTMAS89	808 HUB WITH STUDS & RACES	2
5	60996	SEAL	2
6	8717	TAPERED ROLLER BEARING	2
7	B7	INNER BEARING	2
8	8720	DUST CAP	2
9	YBSD20010	BOLT STUD, 5/8 X 2-1/2 G8	16
10	79251	CYL PIN	2
11	YPCT06020	COTTER PIN, 3/16 X 2	2
12	YPCT08007	COTTER PIN, 1/4 X 2	4
13	80469	TRIGGER	1
14	PTMHF128	808 SPINDLE WASHER	2
15	YNSL32005	NUT SLOT, 1-14 NA G2 NF	2
16	YNWL20005	NUT WHEEL, 5/8-18 NA G ZC	16
17	71362	TIRE, BKT, 15 R19.5 RADIAL IMPL	2
18	71365	WHEEL, 19.5 X 12.25 8 BOLT OFF WHITE	2
19	71366	15R19.5 RAD TIRE ON 19.5 X 12.25, 8 BOLT WHEEL	2
20	88254	SMV MOUNT	1
21	F97	SMV HOLDER	1
22	YBCR10030	BOLT CARRIAGE, 5/16 X 3/4	2
23	YBFB12003	BOLT FLANGE, 3/8 X 1	2
24	YNFG12006	NUT FLANGE, 3/8	2
25	YNFG10005	NUT FLANGE, 5/16	2
26	8714	INNER RACE	2
27	BFR275	OUTER RACE	2
28	PTMAS90	COMPLETE HUB ASSEMBLY	2
29	92196	HUB SPINDLE ASSEMBLY	2
30	YBFB16500	BOLT FLANGE, 1/2 X 5 G5	2
31	YNFG16003	NUT FLANGE, 1/2 GF	2
32	83015	PROX SADDLE	1
33	YBHH16011	BOLT HEX, 1/2 X 1 G5	2





# FIGURE 5 REAR FRAME & COMPONENTS

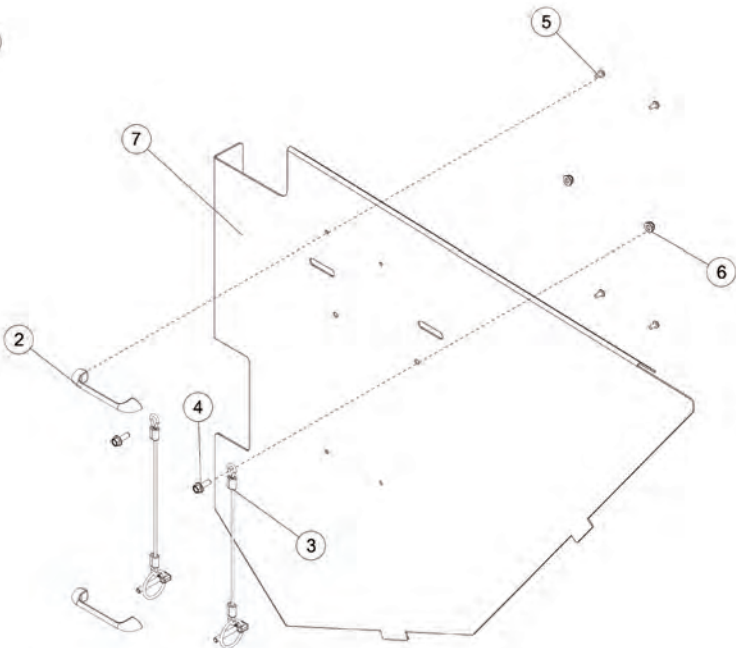
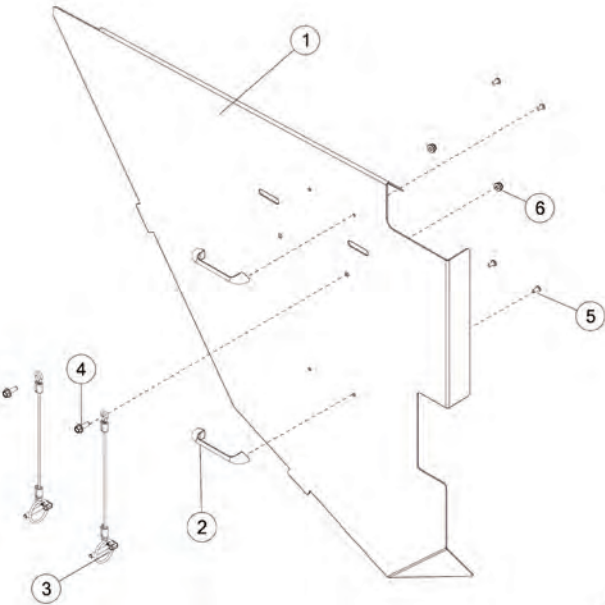


REF #	PART #	DESCRIPTION	QTY
1	82604	LEFT PIVOT	1
2	82640	RIGHT PIVOT	1
3	79095	ROUND PIVOT PIN	2
4	79071	PIVOT SLEEVE	2
5	87031	BUSHING	2
6	70150	POLY BUSHING	2
7	82578	BEARING RACE	2
8	79534	LINKAGE PIN BUSHING	2
9	79586	SPHERICAL BEARING	2
10	79765	POLY LANDING PAD	2
11	79768	PAD WELDMENT	2
12	25G68	INTERNAL STANDARD SNAP RING, 1-3/4	2
13	96012	CYLINDER PIN, LIFT	2
14	96014	CYLINDER PIN, LIFT	2
15	93342	STRUT ROD	2
16	93341	CLEVIS, 1-1/4 X 3/4 LH	2
17	93340	CLEVIS, 1-1/4 x 3/4 RH	2
18	79727	THREADED ADJUSTER	2
19	YNJM36006	NUT JAM, 1-1/4 A RH	6
20	YNFG08010	NUT FLANGE, 1/4 GF	4
21	87030	BUSHING	2
22	YBFB12003	BOLT FLANGE, 3/8 X 1 G5	12
23	YBHH16035	BOLT HEX, 1/2 X 1-1/2 G8	2
24	YSHS12010	BOLT SOCKET, 3/8-16 X 1 MECH ZC	2
25	YSFS16011	BOLT FLAT SOK, 1/2-13 X 1-1/2 BO	8
26	YBFB12050	BOLT FLANGE, 3/8 X 1/2 G5	2
27	YBFB24010	BOLT FLANGE, 3/4-10 X 2-3/4 G8 YZ	4
28	YNFG24006	HEX NUT, FLANGE, TOP LOCK, 3/4-10 GG ZC	4
29	YNRL16005	NUT HEX, 1/2-13 LKRS A ZC	4
30	YNFG16003	NUT FLANGE, 1/2 GF	12
31	79590	SPHERICAL BEARING	2
32	YBFB08175	BOLT FLANGE, 1/4 X 1-3/4 G5	4
33	96484	PIN PULLER TOOL	1
34	YBFB16175	BOLT FLANGE, 1/2 X 1-3/4 G5	4
35	96594	BUSHING	4
36	96593	BUSHING	4
37	YNJM36010	NUT JAM, 1-1/4 G5 LH	2





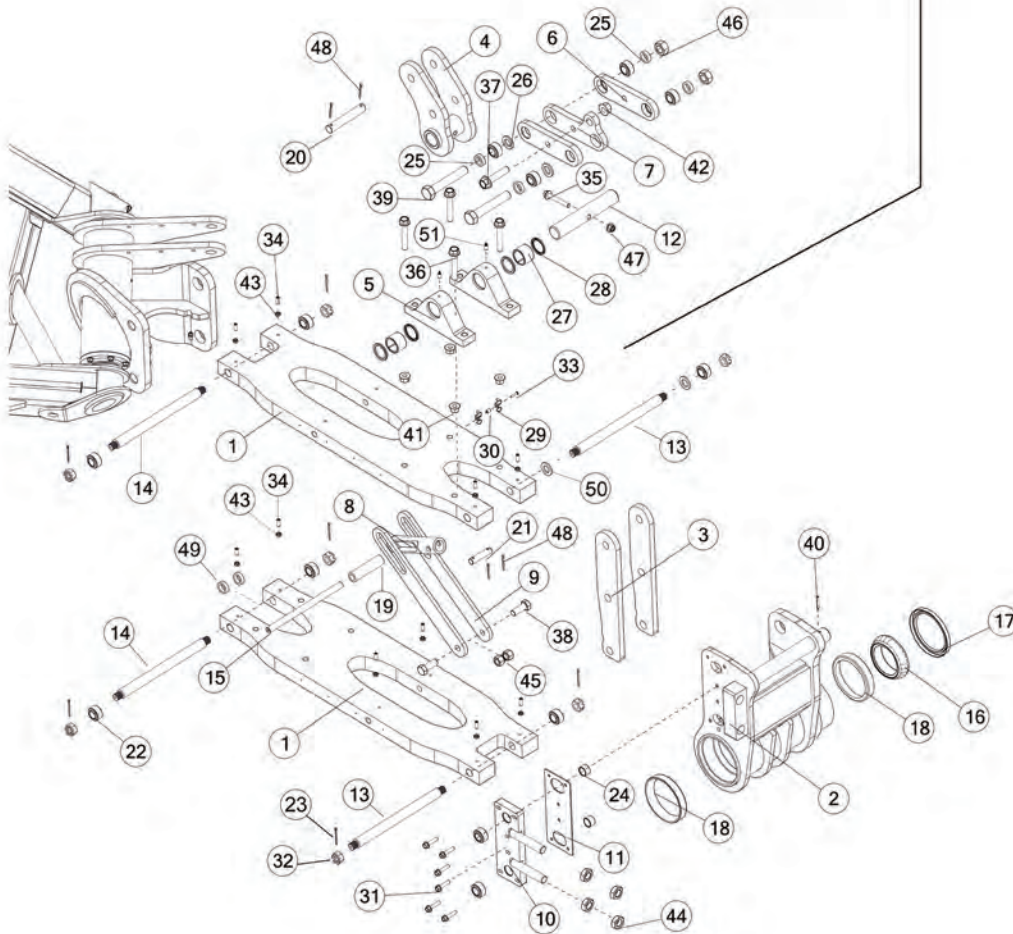
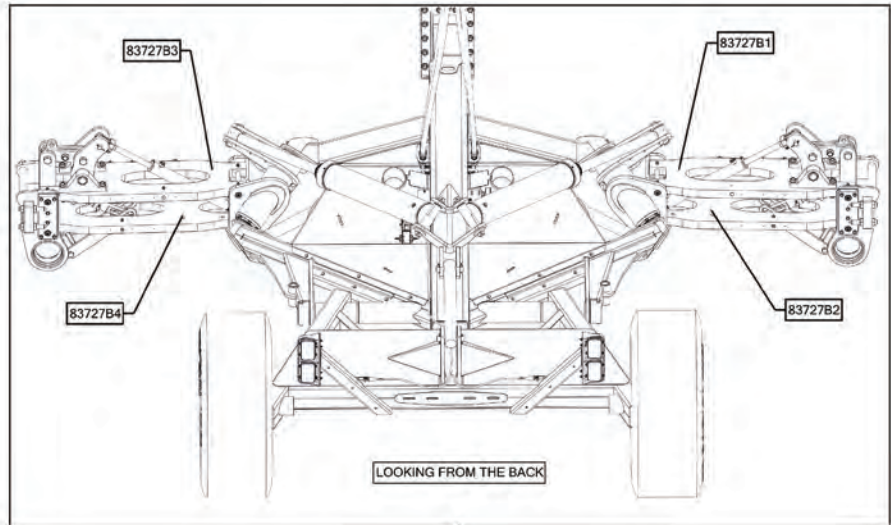
# FIGURE 6 SIDE SHIELD & COMPONENTS







# FIGURE 7 SUSPENSION & COMPONENTS







# FIGURE 7

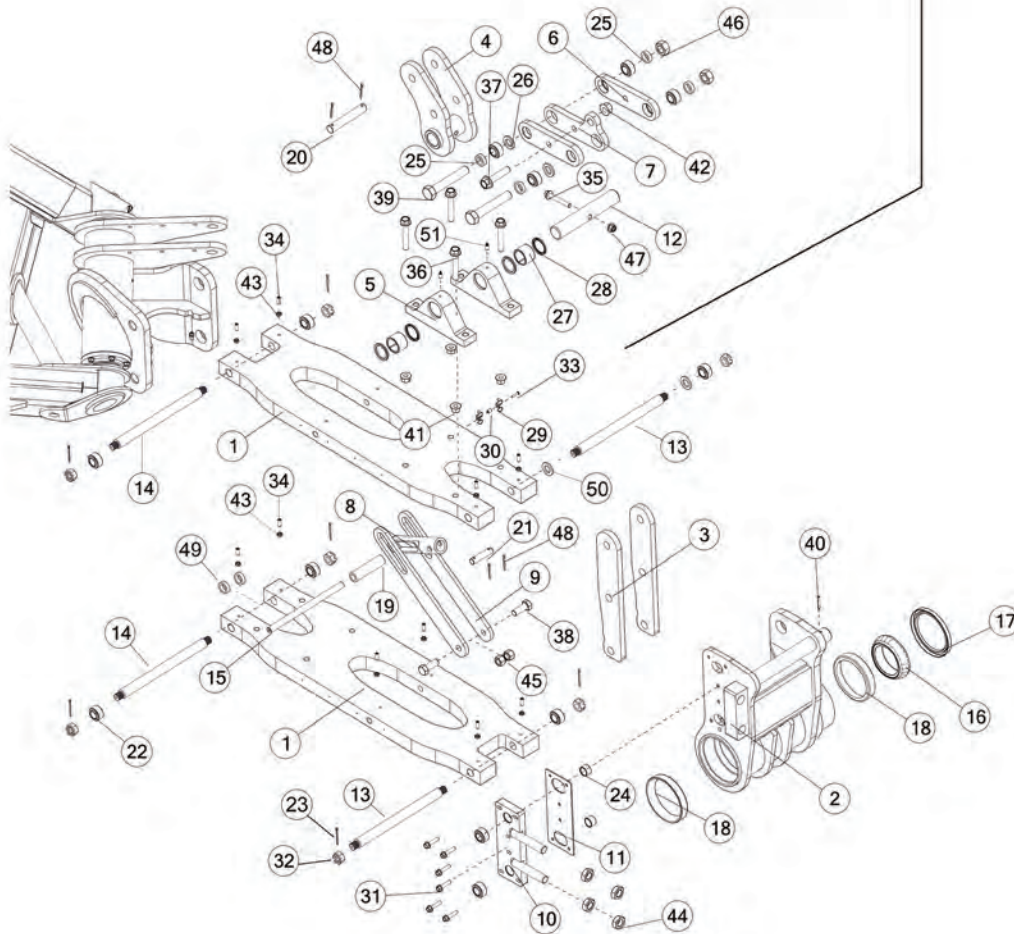
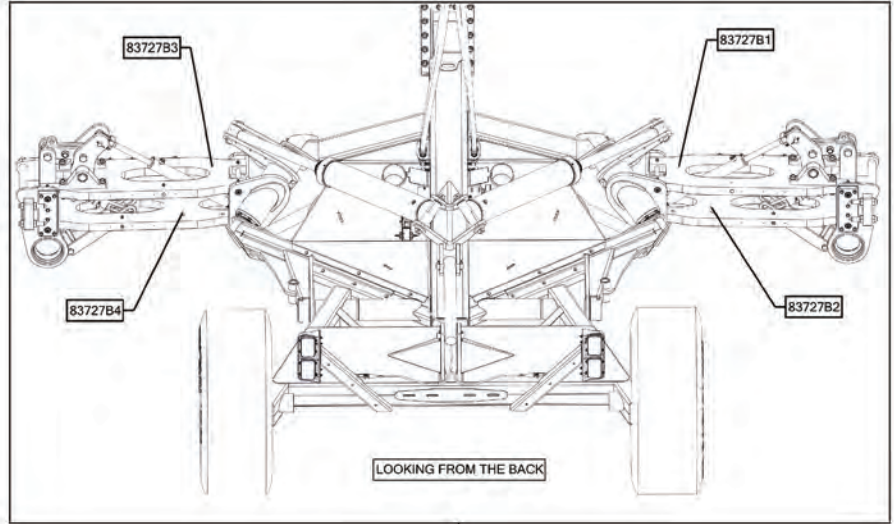
## SUSPENSION & COMPONENTS

REF #	PART #	DESCRIPTION	QTY
1	83727B1	SUSPENSION LINK	1
*	83727B2	SUSPENSION LINK	1
*	83727B3	SUSPENSION LINK	1
*	83727B4	SUSPENSION LINK	1
2	89549	KNUCKLE ASSEMBLY WITH RACE RH	1
*	89550	KNUCKLE ASSEMBLY WITH RACE LH	1
3	82351B	SPACER	2
4	82357	ROCKER ARM	1
5	79675	SHAFT PIVOT MOUNT	2
6	82350	BEARING STRUT	2
7	82362	LIFTING STRAP	1
8	79493	ROD CLEVIS ADAPTER	1
9	79731	LIMITING STRAP	2
10	89548	BEARING BLOCK ADJUSTER	1
11	89546	SPACER PLATE	1
12	82355	PIVOT SHAFT	1
13	93021	LINKAGE PIN, LONG	2
14	93024	LINKAGE PIN, SHORT	2
15	83864	MACHINED PIN	1
16	81880	TAPER BEARING, CONE, 4	2
17	81850	SEAL	2
18	82979	TAPER BEARING, CUP, 6.188	2
19	83005	LIMITING PIN SLEEVE	1
20	83003	CYLINDER PIN	1
21	83006	CYLINDER PIN	1
22	79586	SPHERICAL BEARING	12
23	YPCT05020	COTTER PIN, 5/32 X 1-1/2	8
24	79538	SPACER, .76	2
25	82369	SPACER	4
26	82370	SHIM	2
27	82320	NEEDLE ROLLER BEARING	2
28	82321	SEAL	4
29	83739	HOSE CLAMP	8
30	84273	SPACER	8
31	YBFB16175	BOLT FLANGE, 1/2 X 1-3/4 G5	6
32	YNSL24015	NUT HEX, SLOTTED, 3/4-10 G5 ZC	8
33	YSPP64010	PHILLIPS HEAD MACHINE SCREW, #10-32 X 1	8
34	YSSO12008	SET SCREW, 3/8 X 1	8
35	YBFB16350	BOLT FLANGE, 1/2 X 3-1/2 G5	1





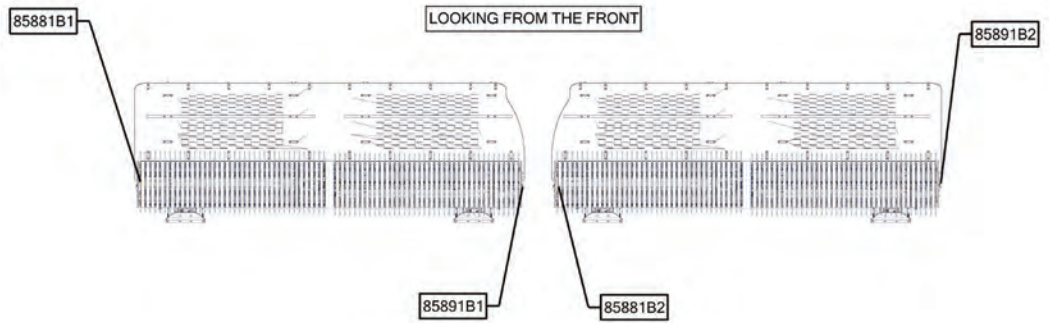
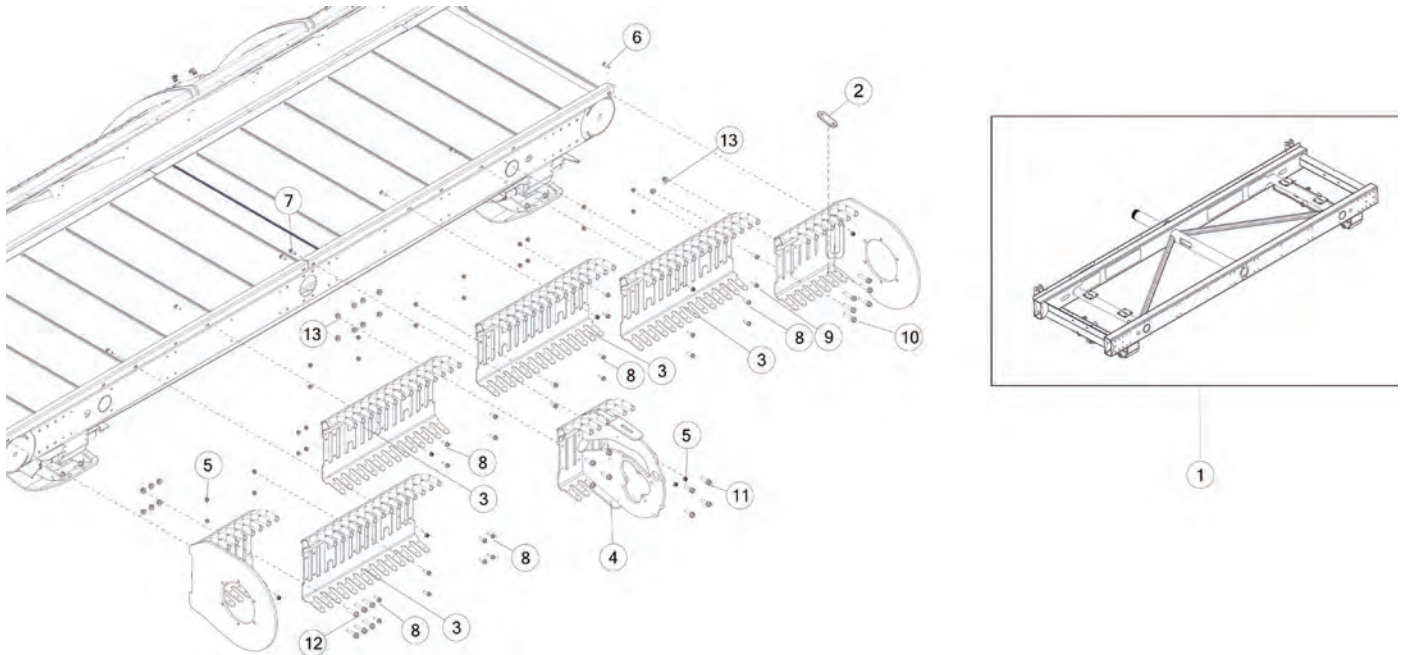
# FIGURE 7 SUSPENSION & COMPONENTS







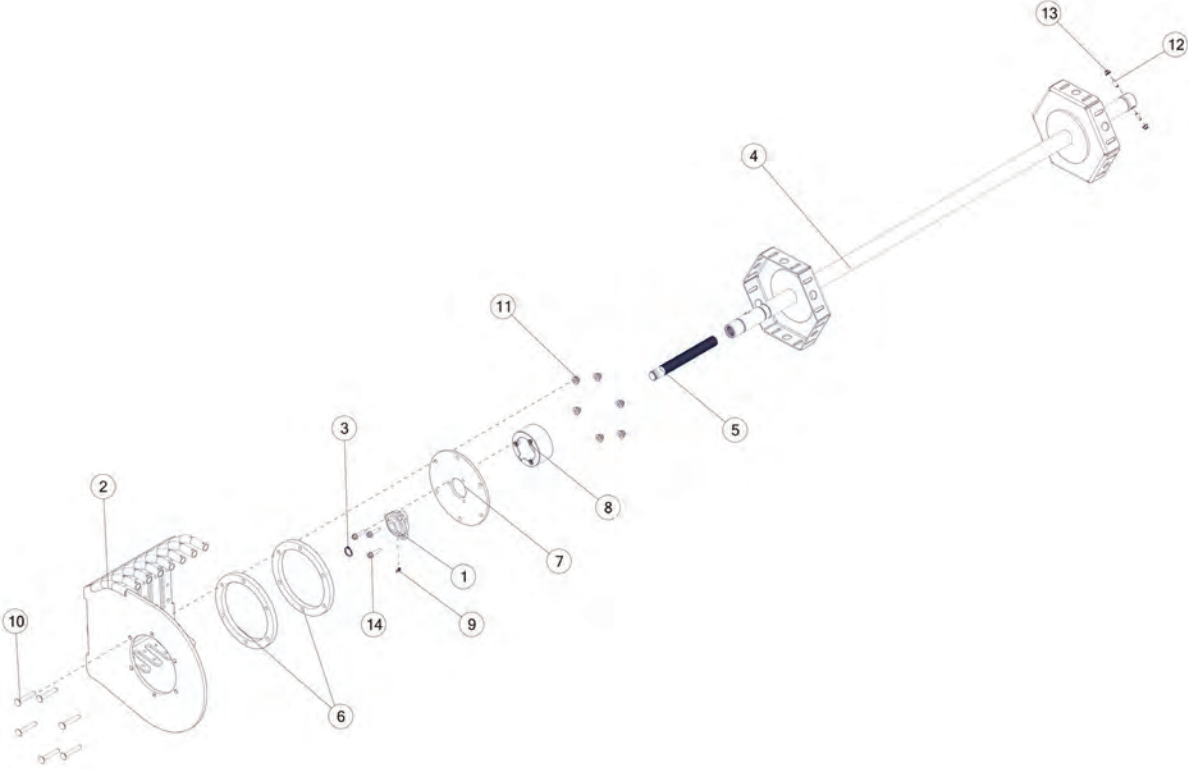
# FIGURE 8 HEAD FRAME & COMPONENTS







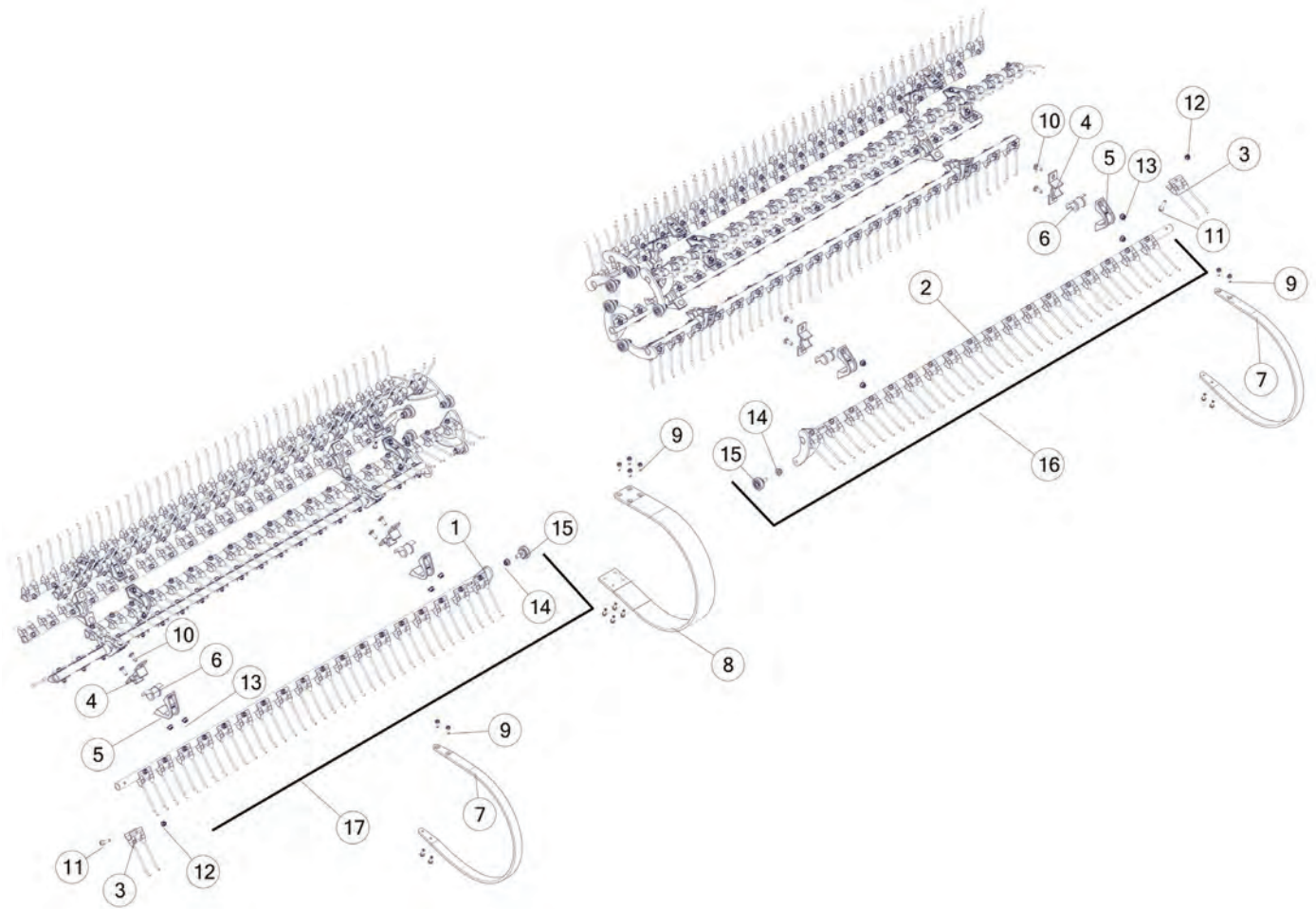
# FIGURE 9 REEL IDLER & COMPONENTS







# FIGURE 10 TINE BAR & COMPONENTS



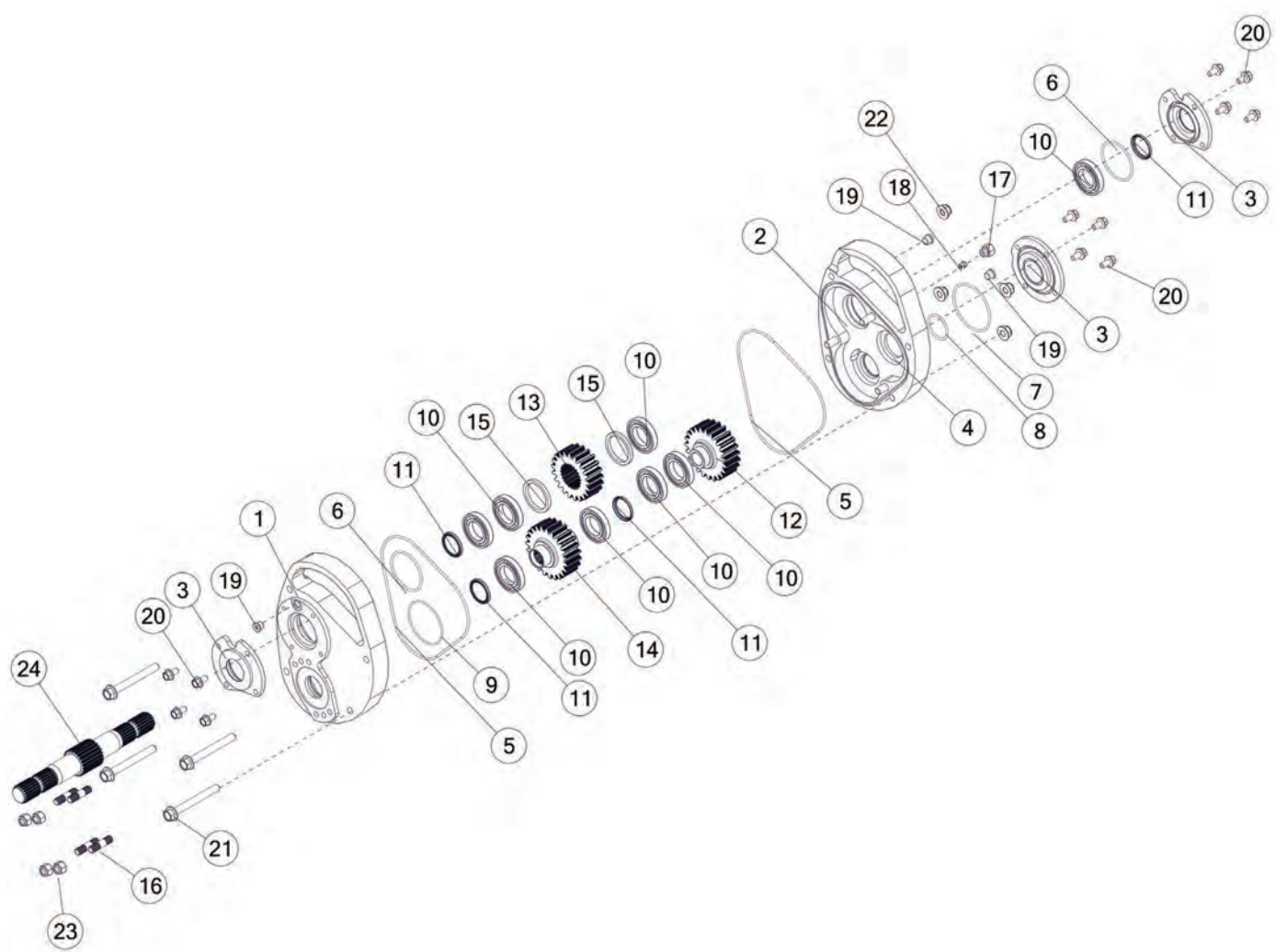






# FIGURE 11

## GEARBOX

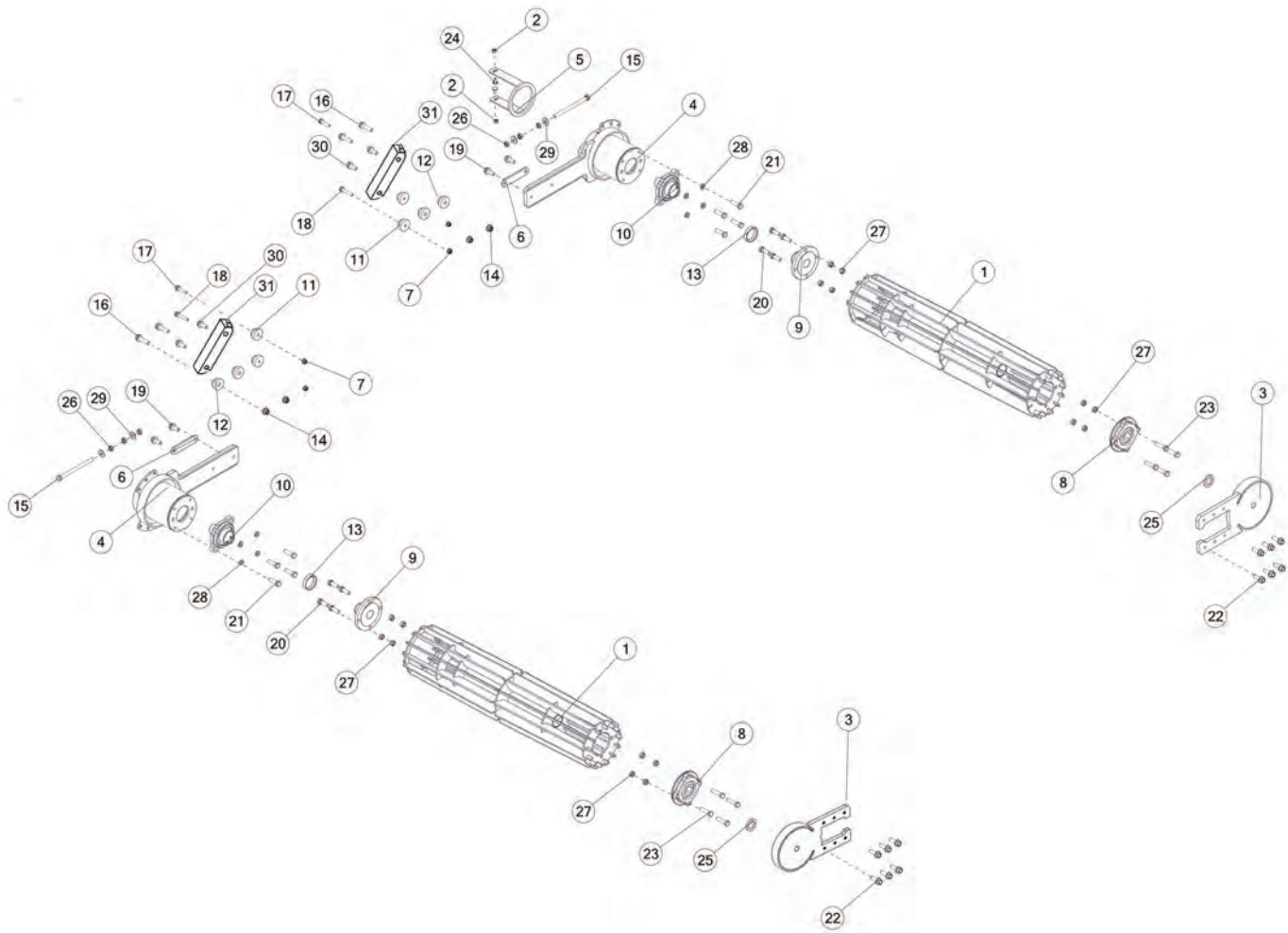






# FIGURE 12

## DRIVE ROLLER & COMPONENTS





# FIGURE 12

## DRIVE ROLLER & COMPONENTS

REF #	PART #	DESCRIPTION	QTY
1	82863	ROLLER, FLUTED, A-SECTION	2
2	YNL12005	NUT HEX, 3/8-16 LKTL ZC	2
3	96602	BEARING SUPPORT	2
4	82966	CROSS CONVEYER, DRIVE	2
5	83177	MOTOR HOLD DOWN BRACKET	1
6	84034	CLAMP PLATE	2
7	YNFG12006	NUT FLANGE, 3/8 GF	4
8	TFM45	IDLER BEARING	2
9	83707	REEL DRIVE HUB	2
10	60135	MOTOR HOUSING BEARING	2
11	82850	BEARING BUSHING	4
12	84054	BEARING BUSHING	4
13	88924	SPACER	2
14	YNFG16003	NUT FLANGE, 1/2 GF	4
15	YBHH16181	BOLT HEX, 1/2 X 7 G5 FULL THREAD	2
16	YBFB16200	BOLT FLANGE, 1/2 X 2 G5	4
17	YBFB12175	BOLT FLANGE, 3/8 X 1-3/4 G5	2
18	YBFB12225	BOLT FLANGE, 3/8 X 2-1/4 G5	2
19	YBFB16125	BOLT FLANGE, 1/2 X 1-1/4 G5	4
20	YBHH16030	BOLT HEX, 1/2-13 X 1-1/2 G5	8
21	YBHH16055	BOLT HEX, 1/2-13 X 1-3/4 G5	8
22	YBFB16150	BOLT FLANGE, 1/2 X 1-1/2 G5	12
23	YBHH16065	BOLT HEX, 1/2-13 X 2 G5	8
24	YBCR12065	BOLT CARRIAGE, 3/8-16 X 3/4 G5 ZC	2
25	72063	HEX SHIM, 1/4	2
26	YNJM16005	NUT JAM, 1/2 A	6
27	YNL16005	NUT HEX, 1/2-13 LKTL ZC	16
28	YWLO16005	WASHER LOCK, 1/2	8
29	YWFL16005	WASHER FLAT, 1/2	4
30	YBFB16175	BOLT FLANGE, 1/2 X 1-3/4 G5	4
31	96970	TENSIONING BRACKET	2







# FIGURE 13

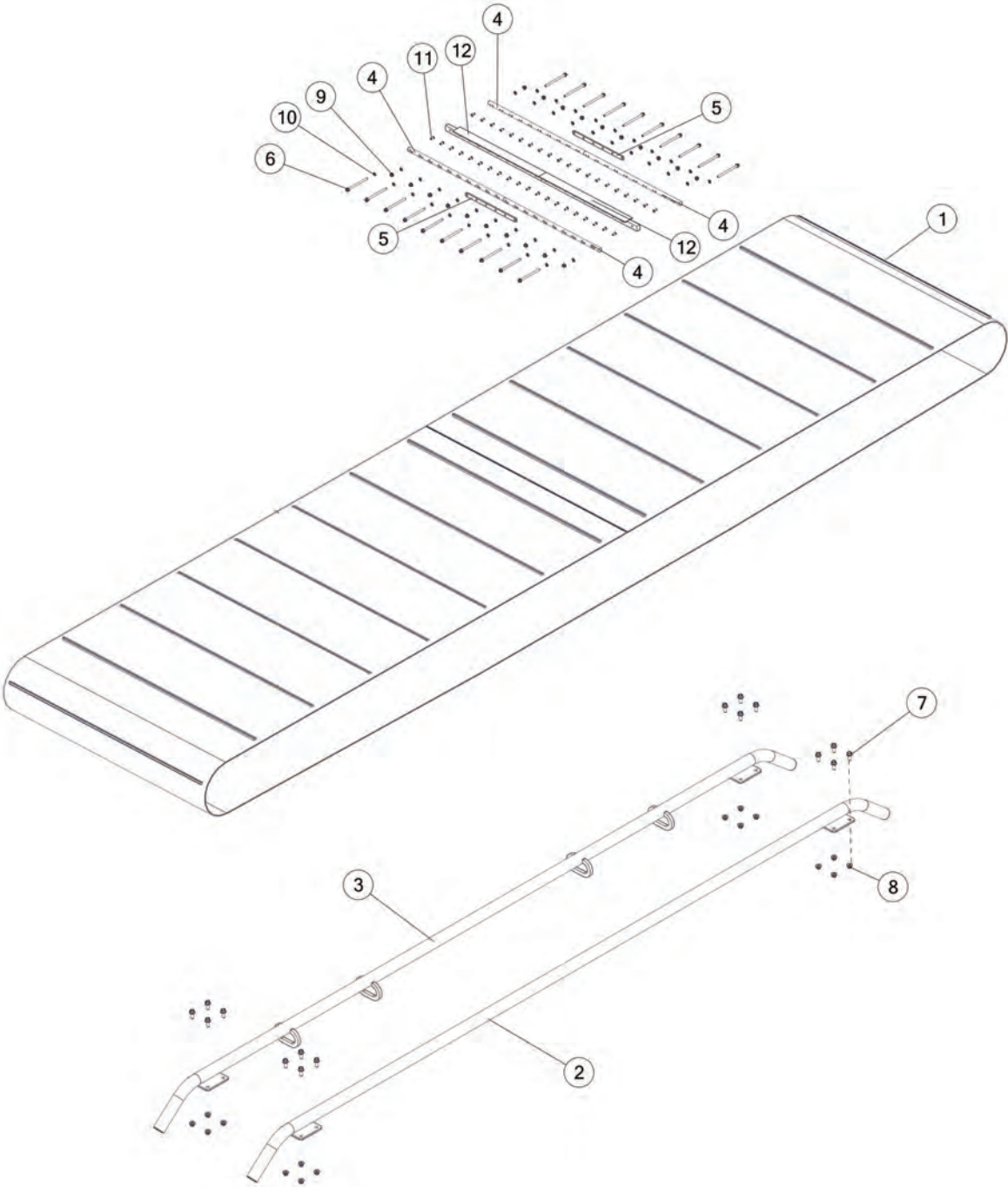
## SKID SHOE & COMPONENTS

REF #	PART #	DESCRIPTION	QTY
1	83077B	BELT PAN W/DECALS	1
2	71324	SHOE BRACKET A	1
3	71325	SHOE BRACKET B	1
4	71098	SKID SHOE LARGE	1
5	79706	SENSORED LINKAGE BRACKET	1
6	86578	SKID SHOE LINKAGE BRACKET	3
7	83944	ADJUSTER MOUNT	1
8	71058	PIN, SHORT	2
9	71062	PIN, LONG	3
10	83958	ADJUSTMENT ROD	1
11	83954	ADJUSTMENT ROD	1
12	79586	SPHERICAL BEARING	1
13	25G68	INTERNAL STANDARD SNAP RING, 1-3/4	1
14	3G21	SNAP RING, 1 HEAVY DUTY	10
15	YWFL32010	WASHER FLAT, 1-1/2 X 1	10
16	YBCR12020	BOLT CARRIAGE, 3/8 X 1-1/4 G5	4
17	YBCR12065	BOLT CARRIAGE, 3/8 X 3/4 G5	4
18	YBFB12200	BOLT FLANGE, 3/8 X 2 G5	1
19	YBPL16015	BOLT PLOW, 1/2 X1-1/2 G5	6
20	YNFG12006	NUT FLANGE, 3/8	4
21	YNFG16005	NUT FLANGE, 1/2	6
22	YNRL12005	NUT HEX, 3/8	4
23	YNRL12005	NUT HEX, 3/8	1
24	YBCR16010	BOLT CARRIAGE, 1/2 X 1-1/2 G5	8
25	89749	HEAD HEIGHT SENSOR	1
26	79698	LINEAR POTENTIOMETER	1
27	77826	M12, 5 PIN REPAIR, MALE	1
28	YSHS64005	SCREW, CAP SOCKET HEAD, #10 X 1/2 G8	1
29	YSHS64015	SCREW, CAP SOCKET HEAD, #10 X 1 G8	1
30	YNNY64005	NUT HEX, NYLON INSERT LOCKNUT, #10	1
31	YWFL64005	WASHER FLAT, STAINLESS STEEL, 1/8 #10	1
32	HGV162	RUBBER WIRE HOLDER, 1/2	1





**FIGURE 14**  
**BELT & COMPONENTS**

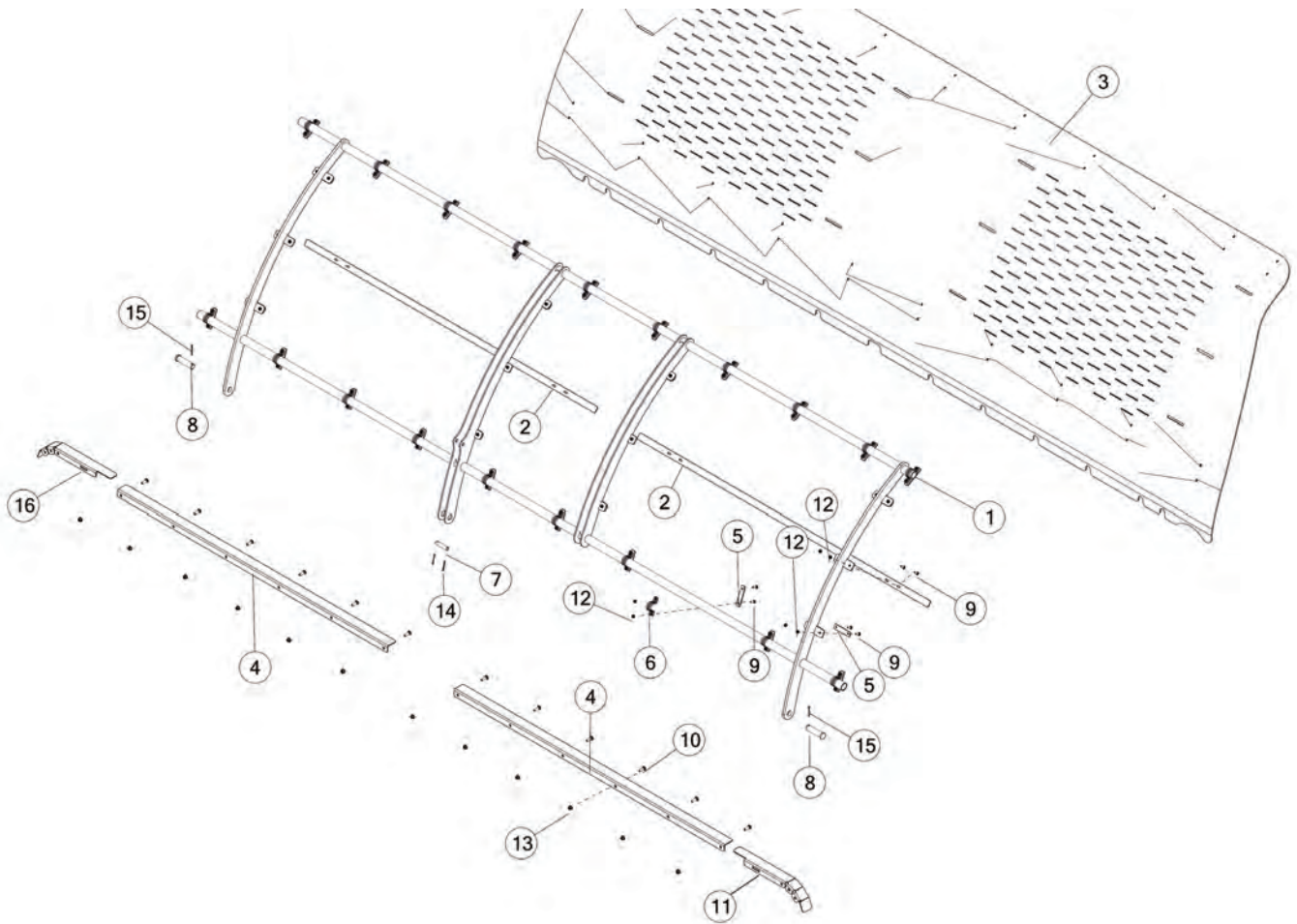








# FIGURE 15 DEFLECTOR & COMPONENTS

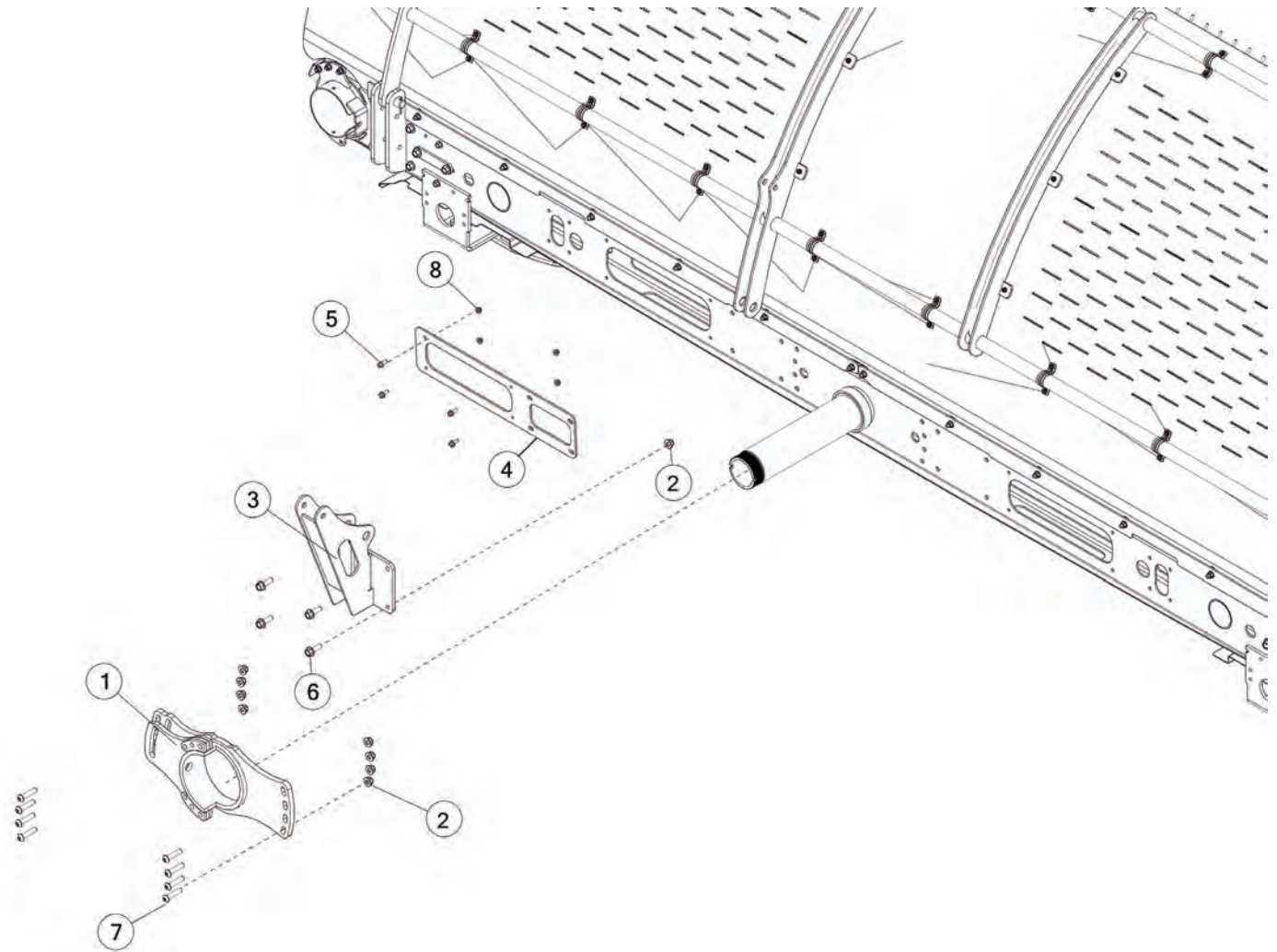






# FIGURE 16

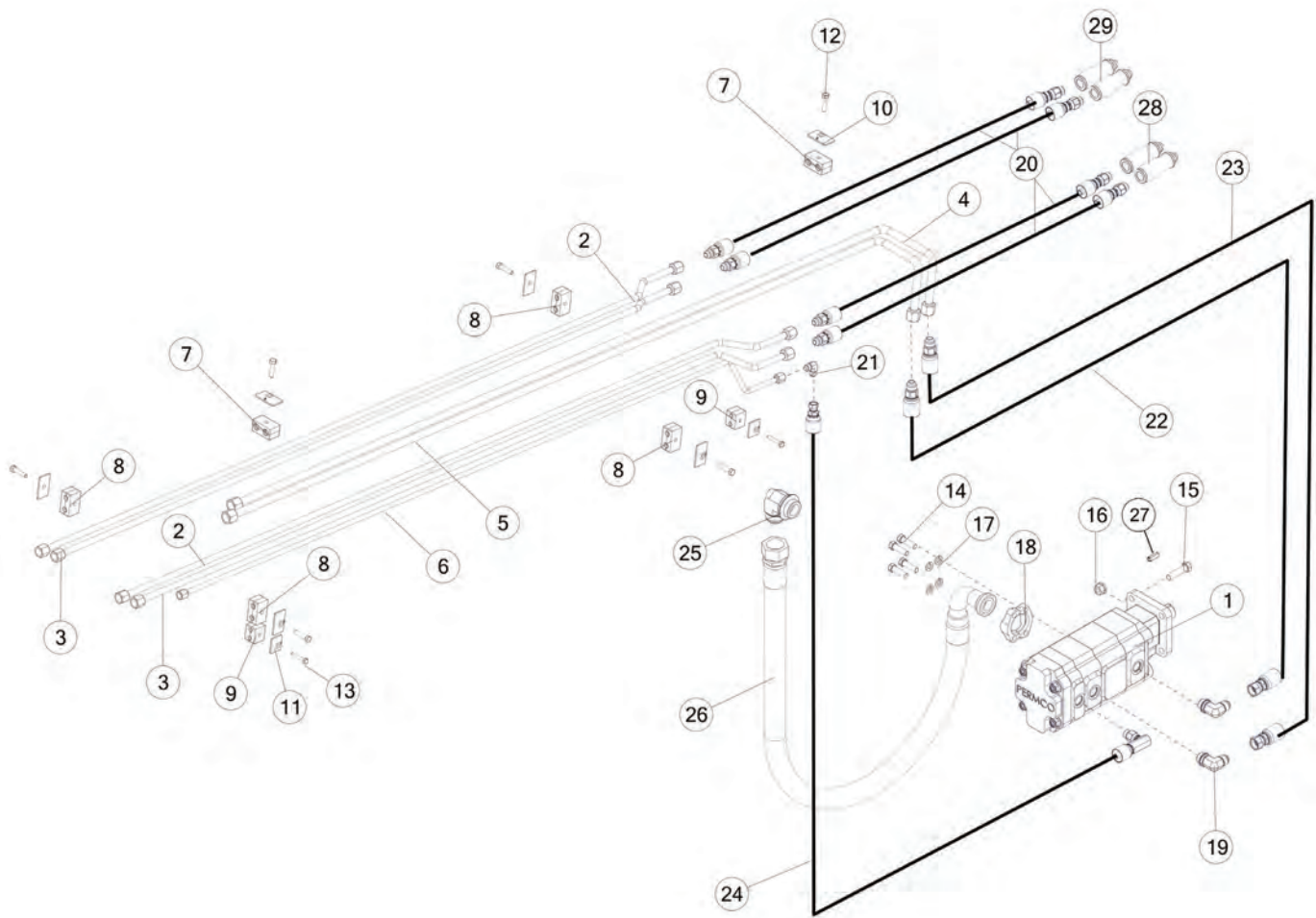
## HEAD LOCK BRACKET & COMPONENTS



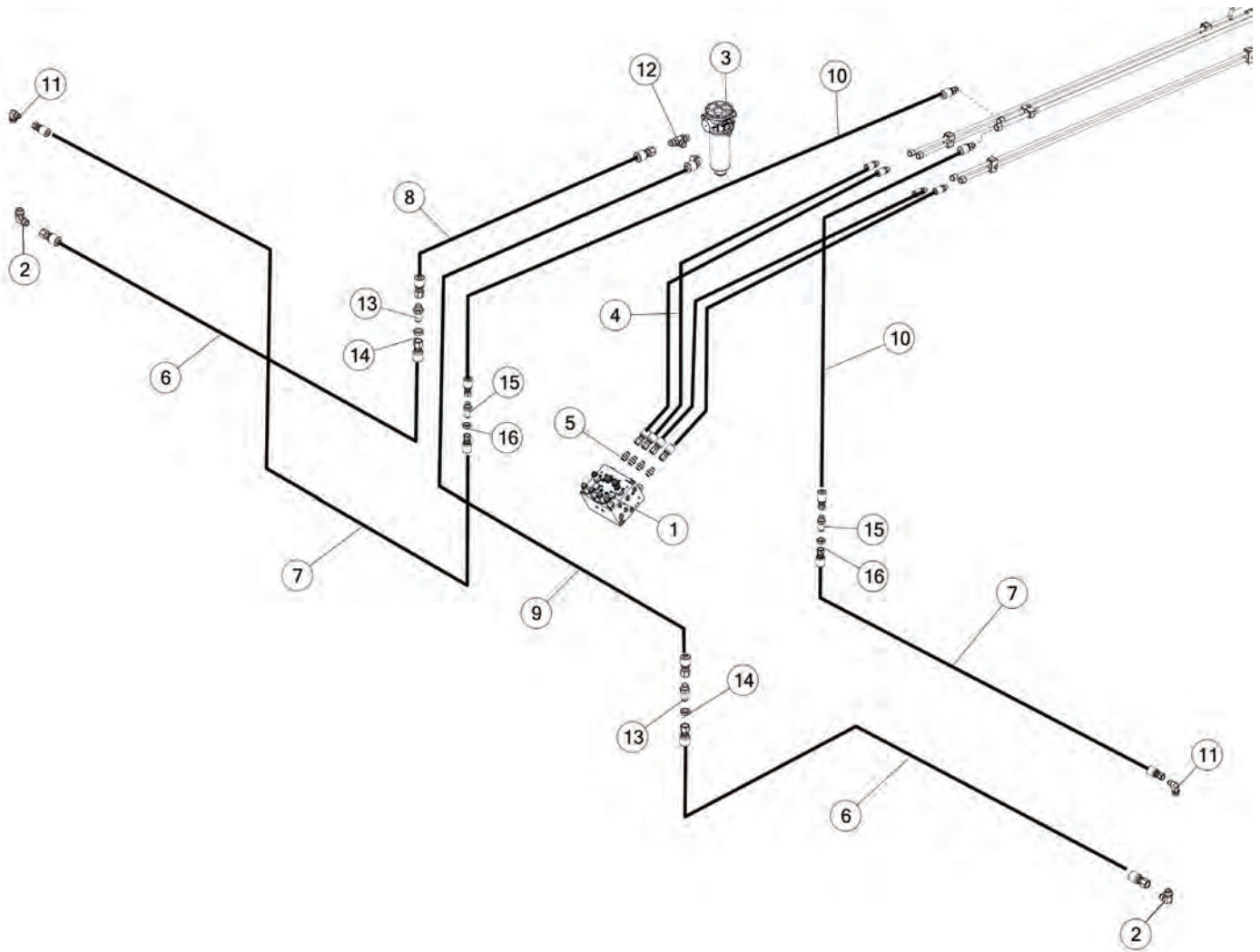




# FIGURE 17 MAIN POLE HYDRAULICS















# FIGURE 19

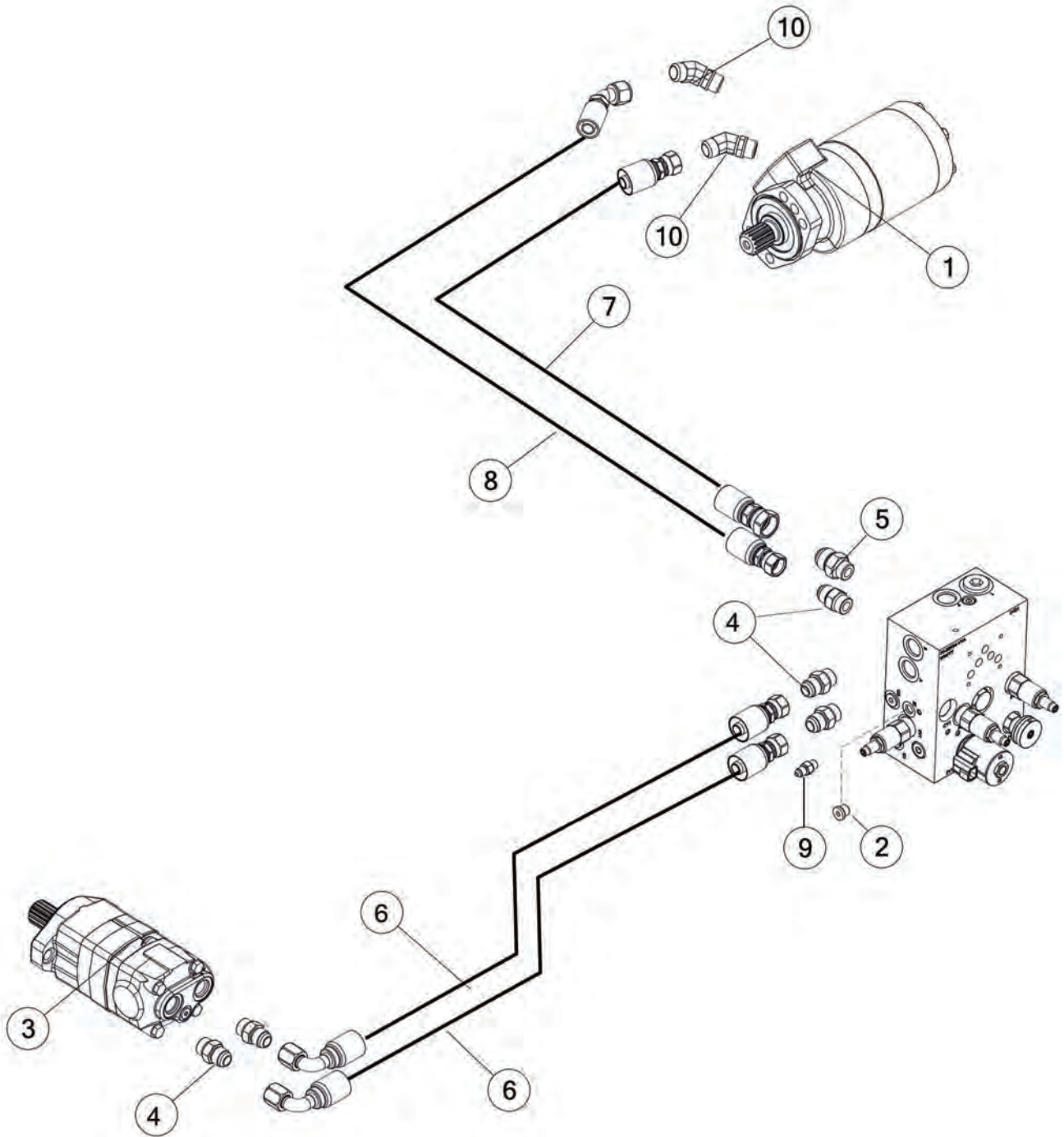
## SUSPENSION HYDRAULICS

REF #	PART #	DESCRIPTION	QTY
1	83348	HYDRAULIC CYLINDER, 5 X 23	1
*	87433	SEAL KIT	1
2	83417	HYDRAULIC CYLINDER. 2 X 16	1
*	87435	SEAL KIT	1
3	85918	HYDRAULIC CYLINDER, 1-1/2 X 6	1
*	87436	SEAL KIT	1
4	86564	HYDRAULIC CYLINDER, 2-1/2 X 3	1
*	87434	SEAL KIT	1
5	YSPP64010	SCREW, PHILLIPS MACHINE HEAD, #10-32 X 1	3
6	78834	HYDRAULIC CYLINDER, 2-1/2 X 4	1
*	87434	SEAL KIT	1
7	89112	ROD CLEVIS ADAPTER	1
8	86374	HYDRAULIC HOSE, 6, 56IN	1
9	83354	HYDRAULIC HOSE, 4, 30IN	1
10	86372	HYDRAULIC HOSE, 6, 28IN	1
11	84284	HYDRAULIC HOSE, 8, 120IN	1
12	86685	HYDRAULIC HOSE, 4, 134IN	1
13	86680	HYDRAULIC HOSE, 4, 137IN	1
14	86686	HYDRAULIC HOSE, 4, 137IN	1
15	86687	HYDRAULIC HOSE, 4, 134IN	1
16	86697	HYDRAULIC HOSE, 4, 16IN	1
17	86699	HYDRAULIC HOSE, 4, 24IN	1
18	58094	FITTING, ST, 4JIC, 4ORB, STL	5
19	YPCT06015	COTTER PIN, 3/16 X 1-3/4	2
20	71281	MALE ELBOW 37° / ORB	4
21	GM30	MALE ELBOW 37° ORB	1
22	TFM92	SAE 8 O-RING 40 MICRON BREATHER CAP	1
23	TS135	FITTING, 8-C5OX-S	1
24	81311	FITTING TEE, 8 JIC, 8 JIC, 8 JIC, STL	1
25	83280	FITTING TEE, 1/4 JIC, 3/8 ORB, 1/4 JIC	2
26	89118	CYLINDER PIN	1
27	83739	HOSE CLAMP	6
28	84273	SPACER	3
29	86510	CLEVIS	1
30	96920	CONTROL MODULE	1
31	YPCT06030	COTTER PIN, 3/16 X 3-3/4	2





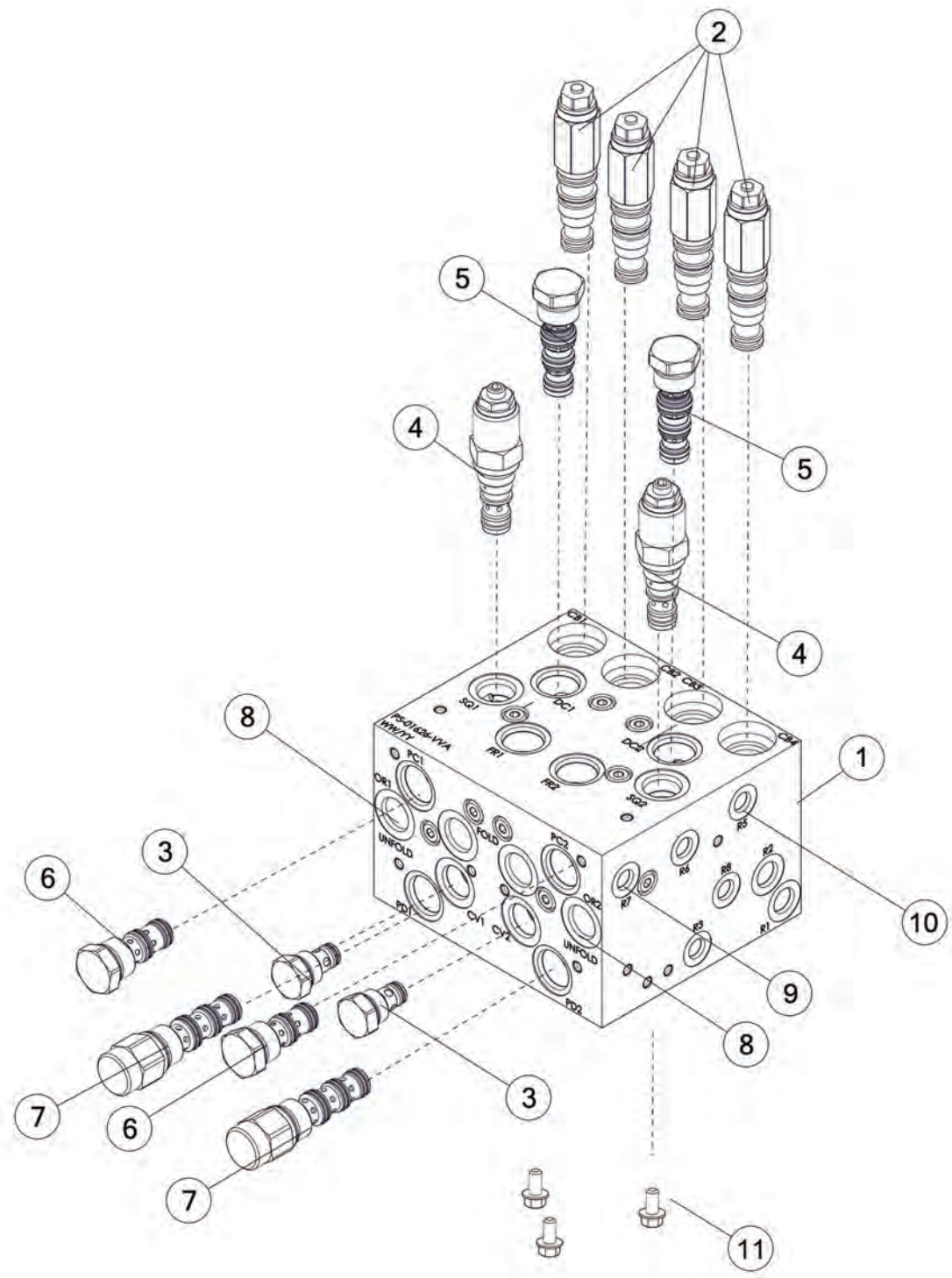
# FIGURE 20 HYDRAULIC MOTOR & COMPONENTS



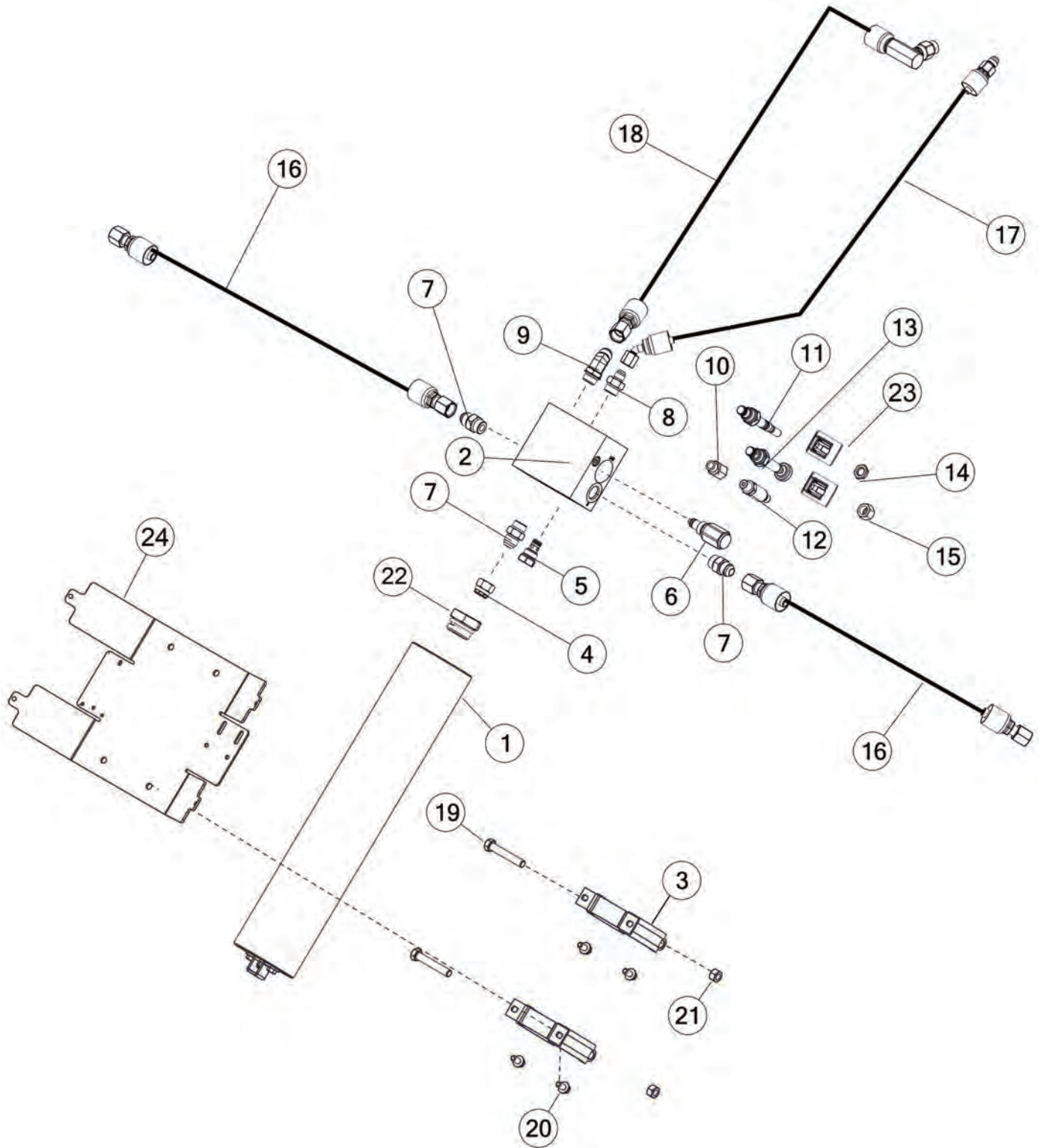




**FIGURE 21**  
**HYDRAULIC VALVE**





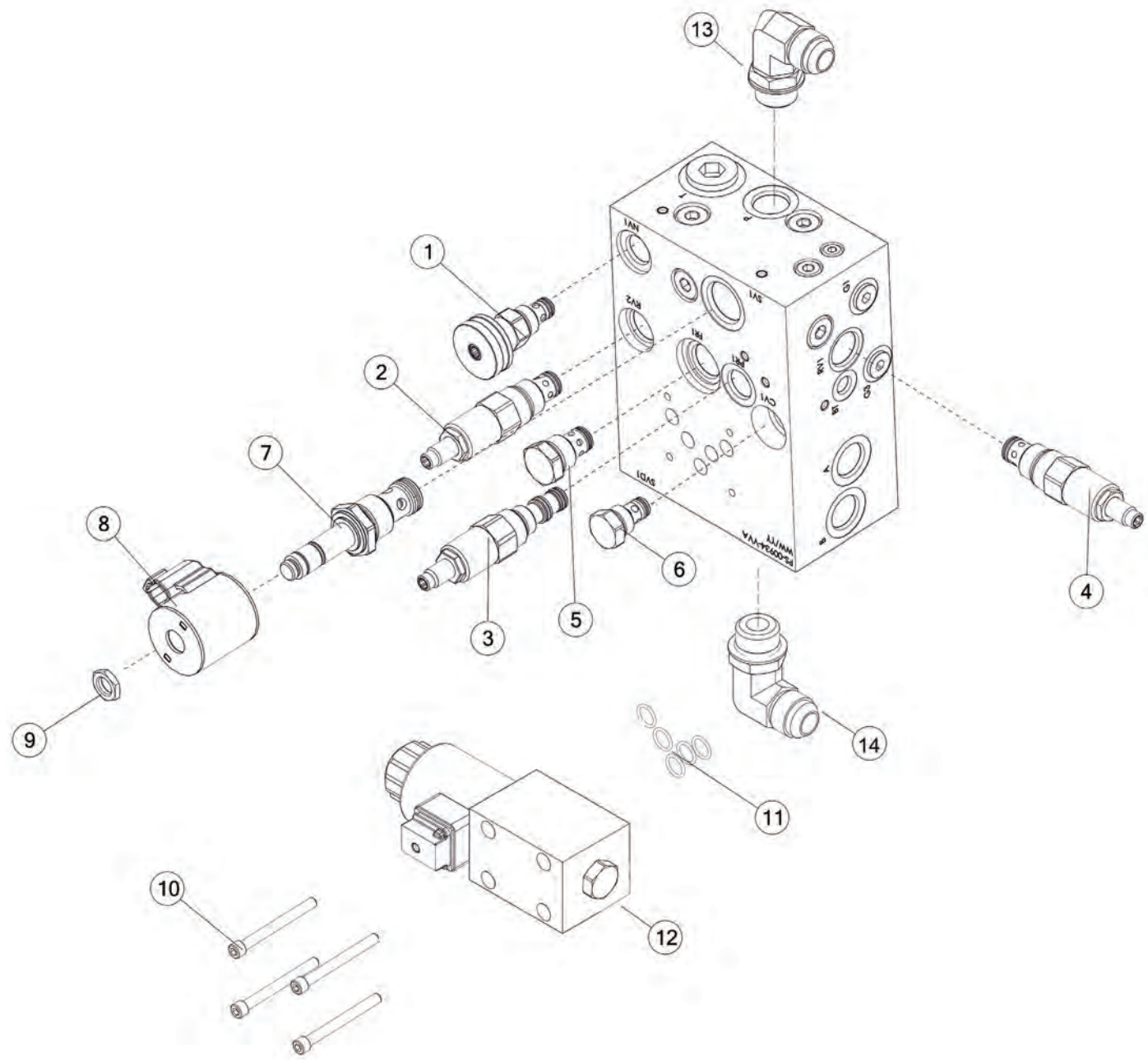








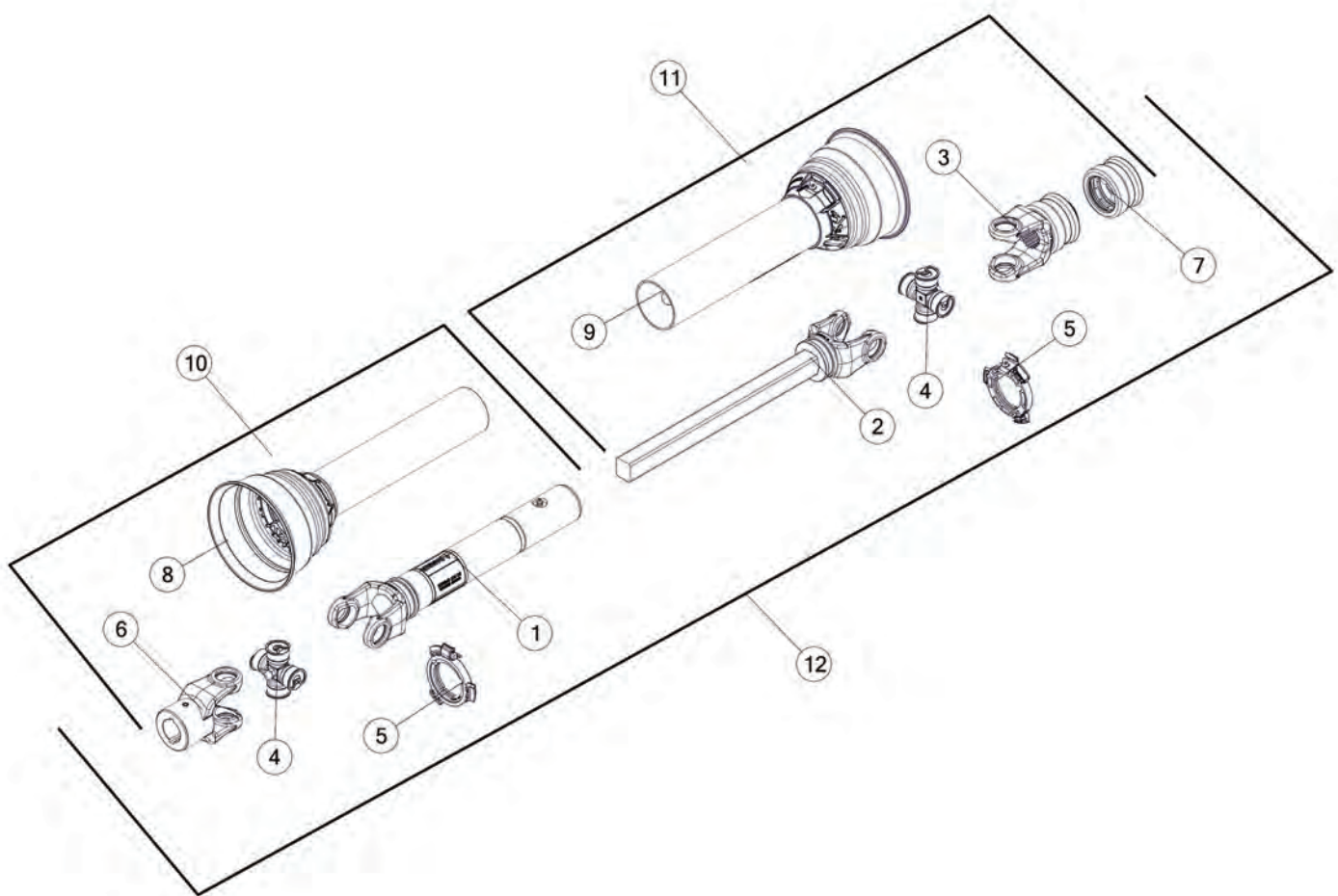
**FIGURE 23**  
**HEAD HYDRAULIC VALVE**







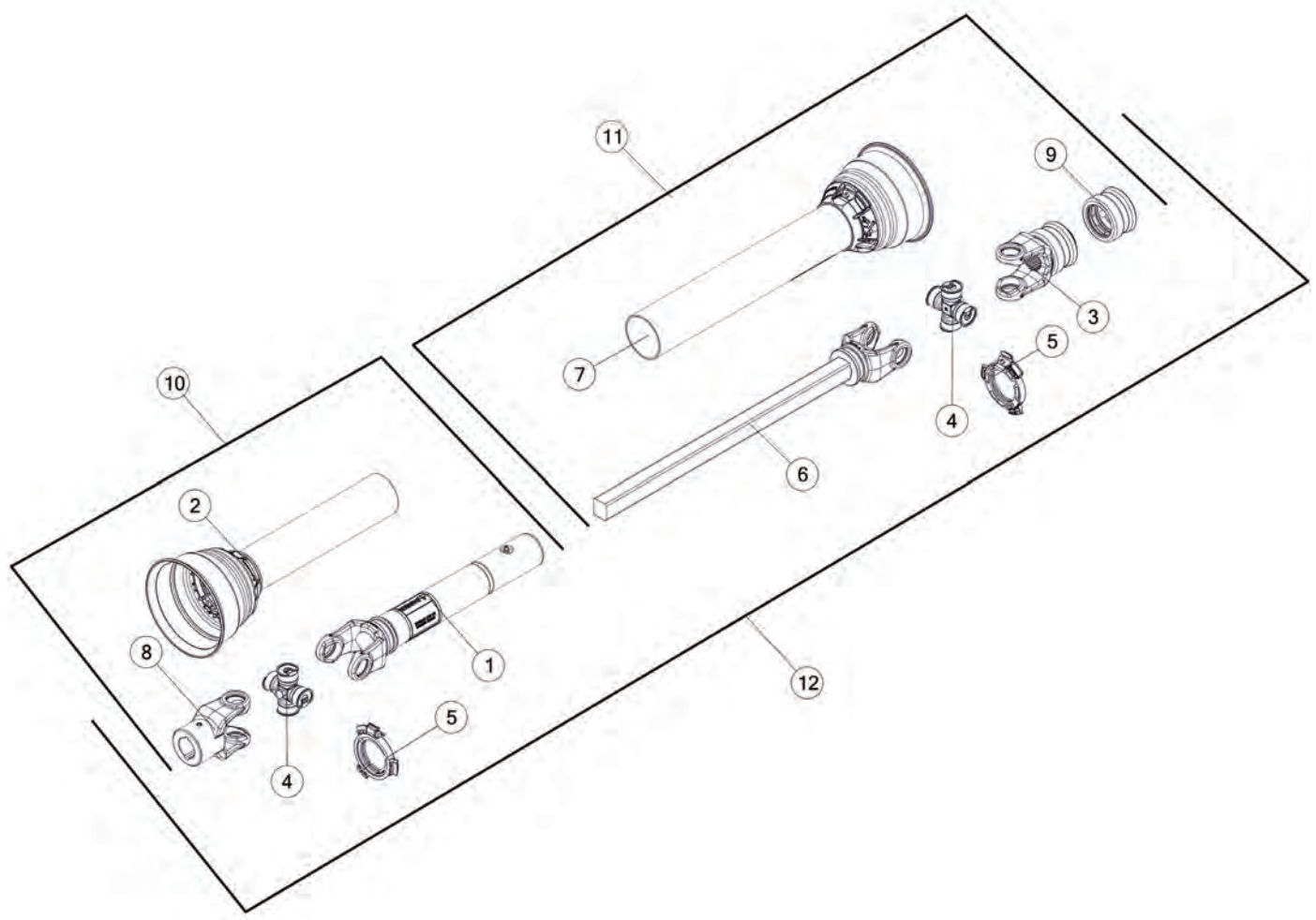
**FIGURE 24**  
PTO 1-3/8 1000 RPM STANDARD







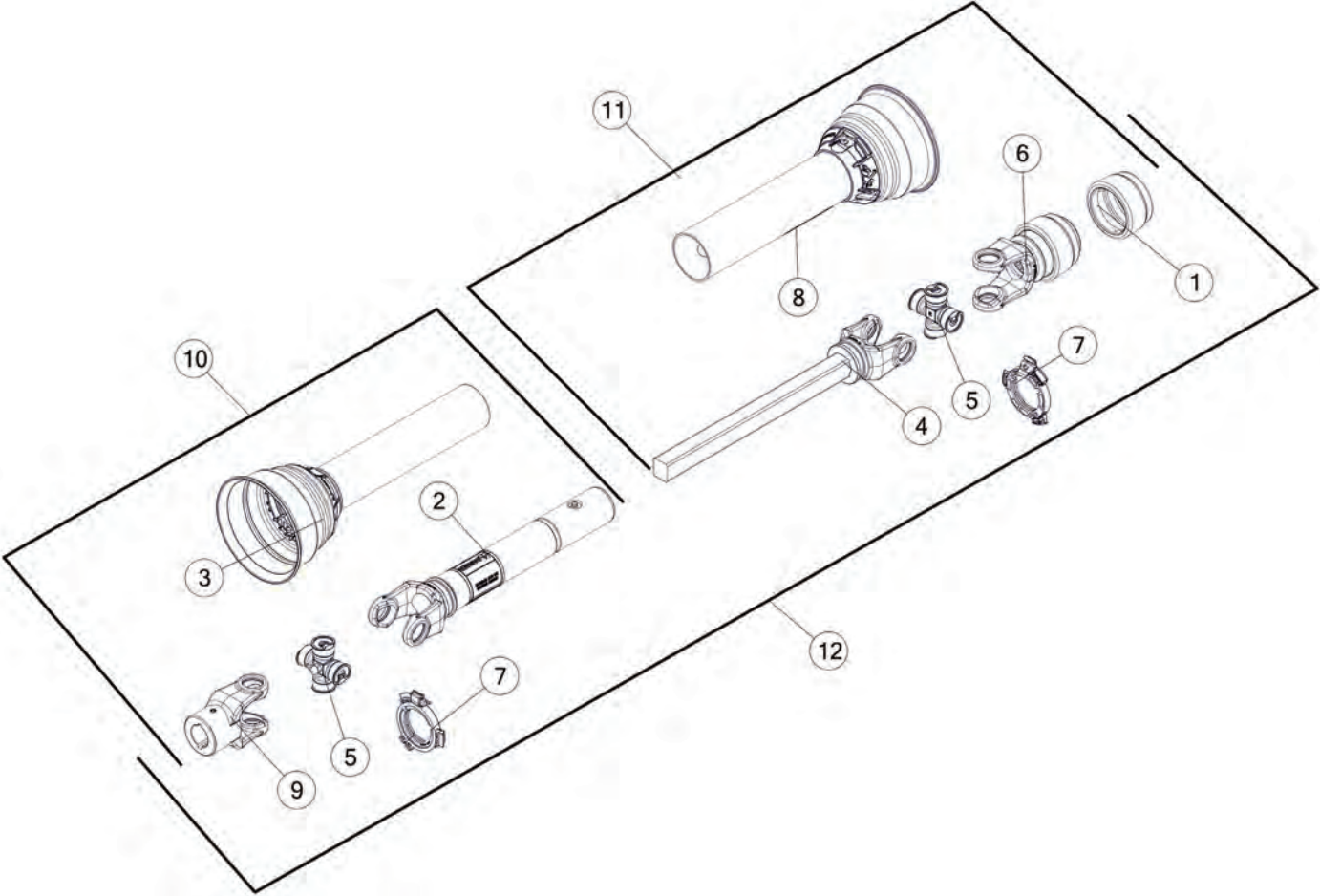
**FIGURE 25**  
PTO 1-3/8 1000 RPM LONG







**FIGURE 26**  
PTO 1-3/4 1000 RPM STANDARD

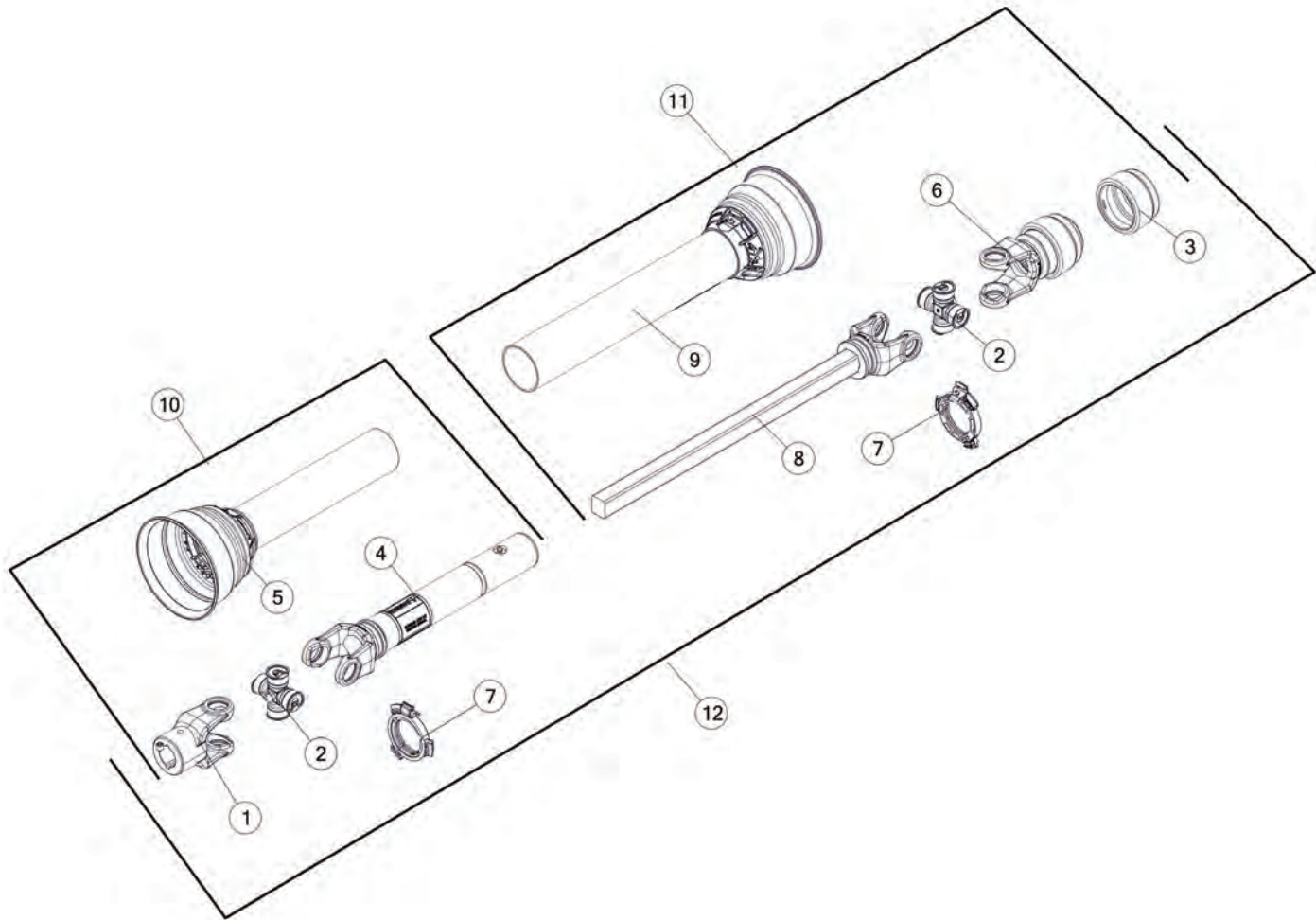








**FIGURE 27**  
PTO 1-3/4 1000 RPM LONG

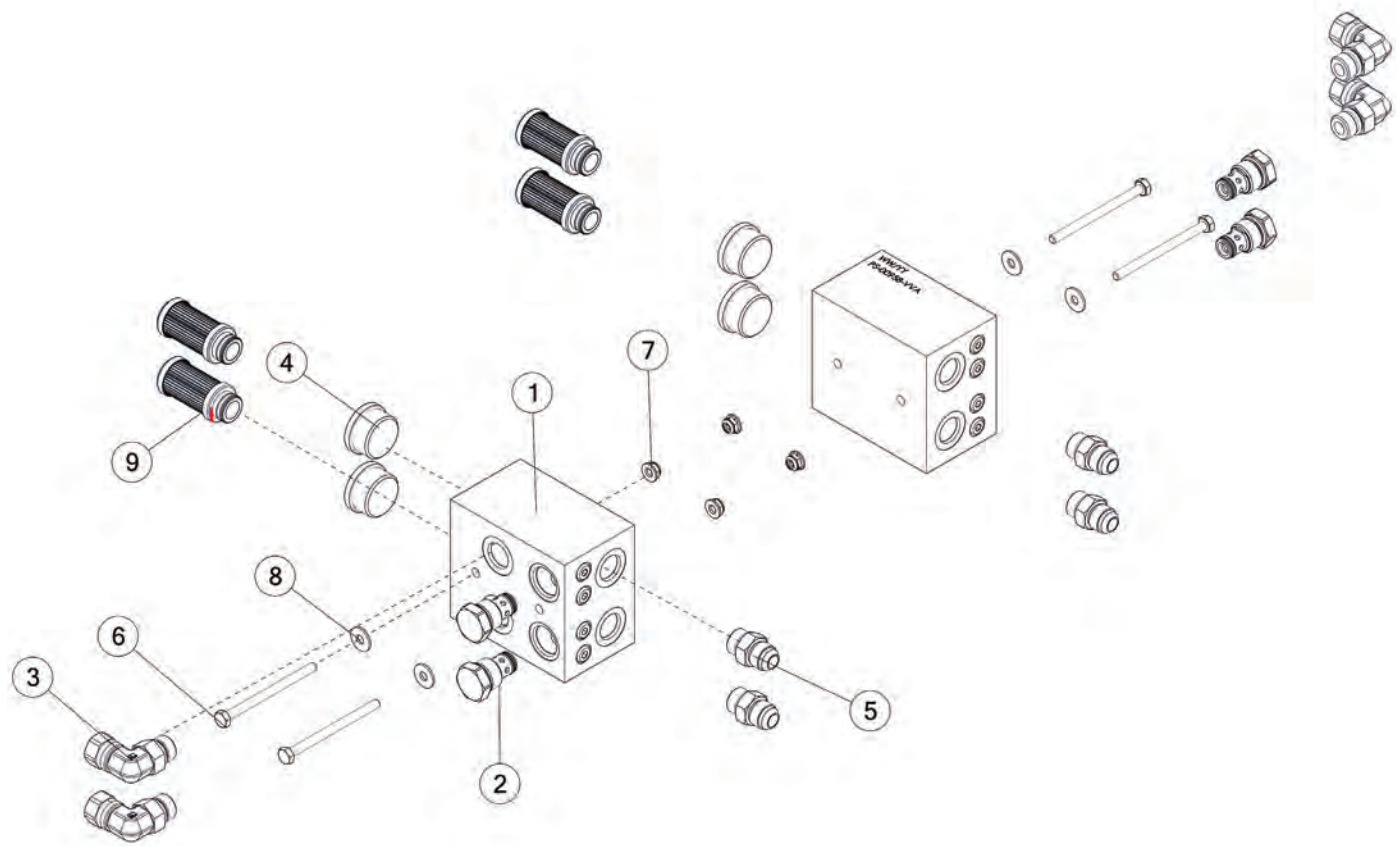






# FIGURE 28

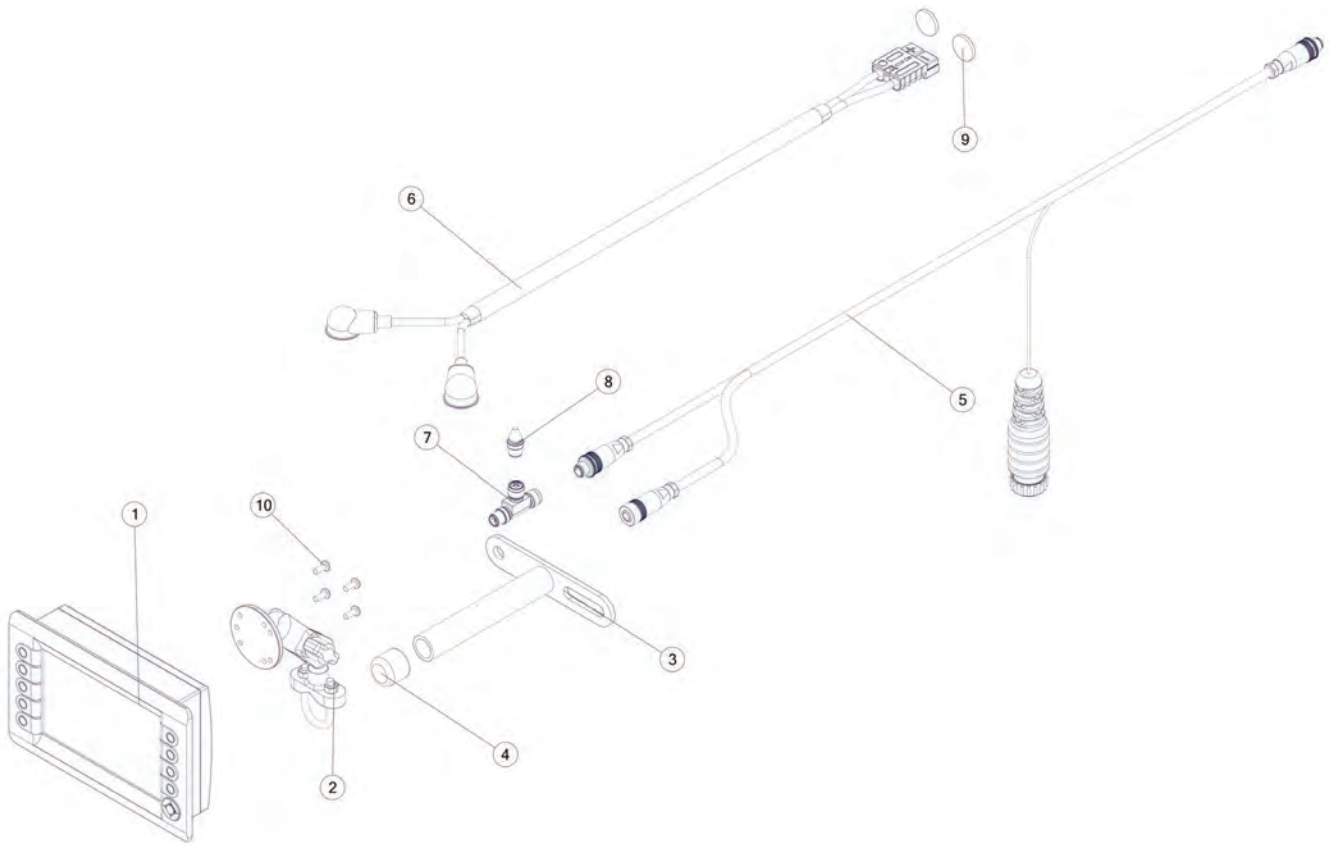
## REMOTE FILTER







**FIGURE 29**  
**DISPLAY MOUNT**

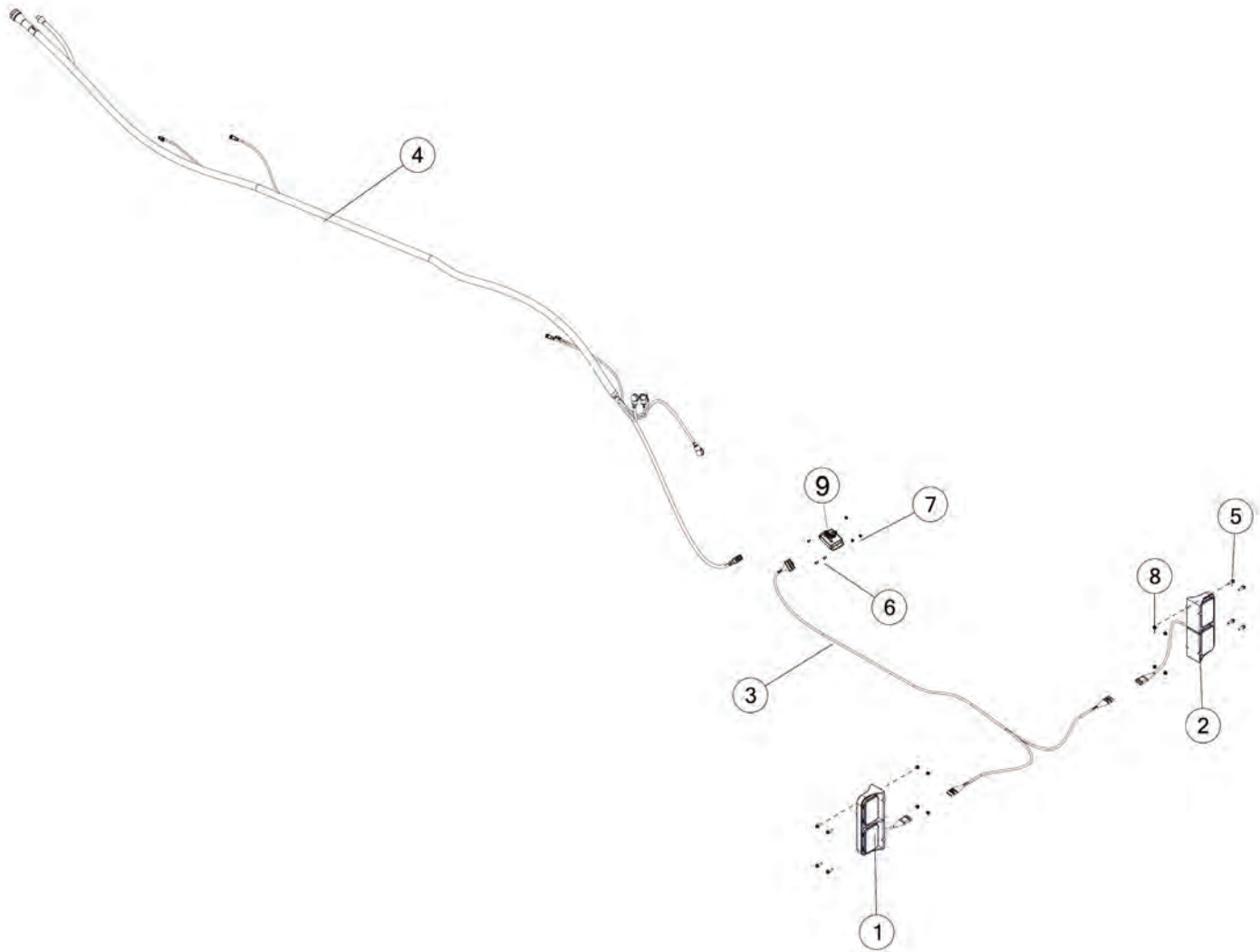






# FIGURE 30

## LIGHTS

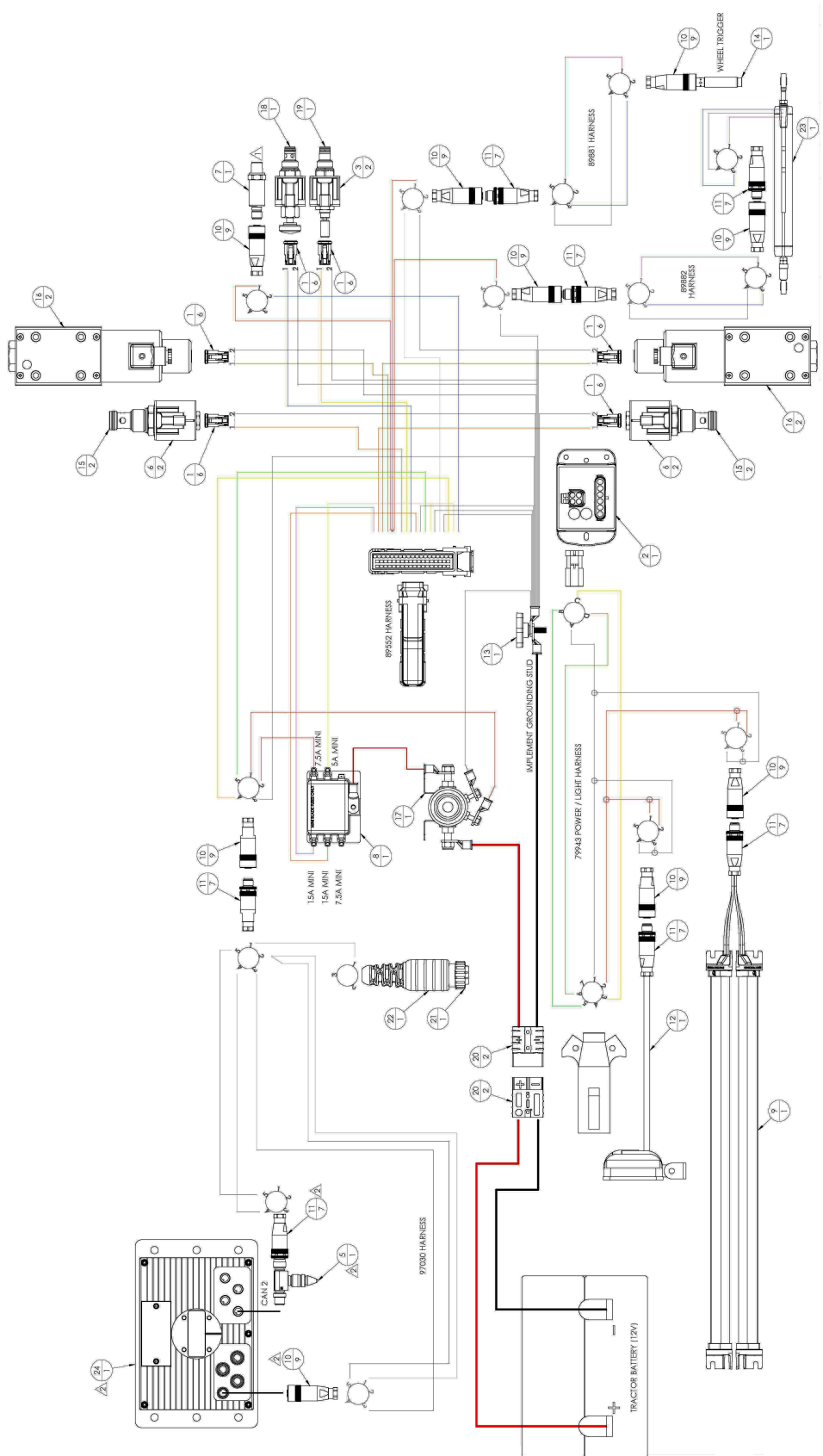








# FIGURE 31 ELECTRICAL



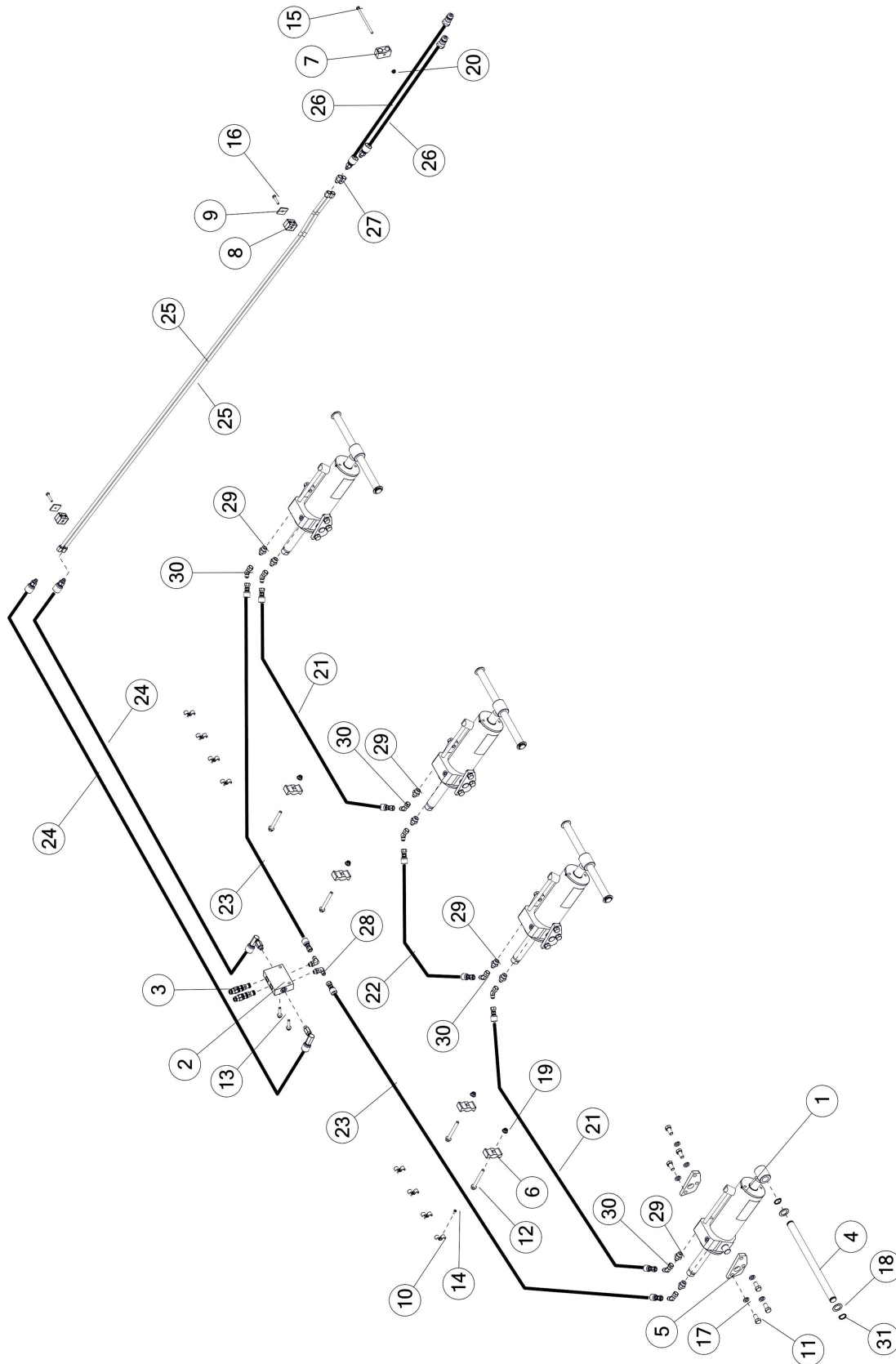




# FIGURE 32

## OPTIONAL TFOHSS

### HYDRAULIC SKID SHOE KIT





# FIGURE 32

## OPTIONAL TFOHSS

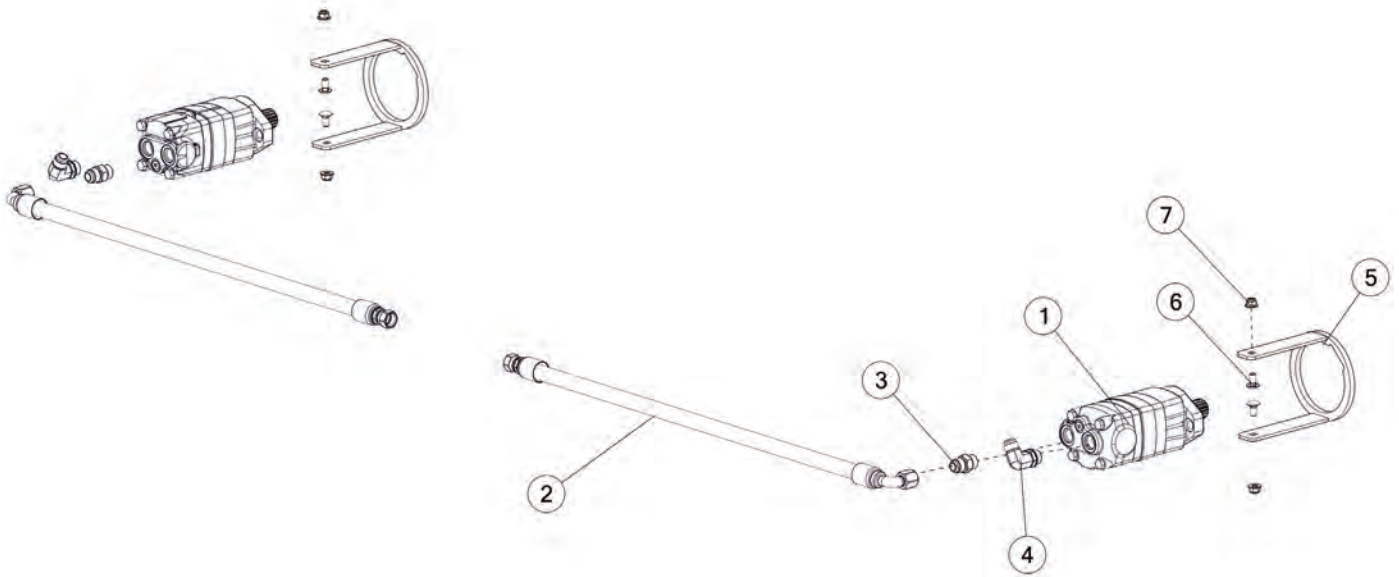
### HYDRAULIC SKID SHOE KIT

REF #	PART #	DESCRIPTION	QTY
1	90462	HYDRAULIC CYLINDER, 3 1/2 X 6	4
*	90463	SEAL KIT	1
*	90465	PISTON ASSEMBLY	1
*	90466	BAS END SHAFT	1
*	90467	ROD END SHAFT	1
2	85084	HYD MANIFOLD, COUNTERBALANCE	1
3	8656	COUNTERBALANCE VALVE	2
4	71062	PIN, LONG	4
5	57435	TRUNNION PLATE	8
6	86567	DOUBLE CLAMP, UNIVERSAL	4
7	CHM278	TWO LINE CLAMP BLOCK, 3/8	1
8	56597	HOSE CLAMP, DOUBLE, 3/8	2
9	CHM277	T1 HOSE CLAMP COVER	2
10	83739	HOSE CLAMP	8
11	YBHH16010	BOLT HEX, 1/2-13 X 1 G5	24
12	YBFB12350	BOLT FLANGE, 3/8 X 3-1/2 G5	4
13	YBFB10175	BOLT FLANGE, 5/16 X 1-3/4 G5	2
14	YSMP64005	MACHINE PPHS, #10-32 X 1/2 SS	8
15	YBHH08120	BOLT HEX, 1/4 X 5 G5	1
16	CHM276	CLAMP BOLT, 1/4 X 1-3/8	2
17	YWLO16005	WASHER LOCK, 1/2	24
18	YWFL32010	WASHER, FLAT, 1.5 X 1 X .07 ZY	8
19	YNFG12006	NUT FLANGE, 3/8 GF	4
20	YNFG08010	NUT FLANGE, 1/4 GF	1
21	88105	HYDRAULIC HOSE, 4, 190IN	2
22	88104	HYDRAULIC HOSE, 4, 390IN	1
23	88106	HYDRAULIC HOSE, 6, 225IN	2
24	88107	HYDRAULIC HOSE, 6, 86IN	2
25	79239	HYDRAULIC TUBE	2
26	84161	HYDRAULIC HOSE, 6, 92IN	2
27	58142	IN-LINE CONNECTOR, ORIFICE, 6-XHX7-S .031	2
28	CHM268	FITTING 90, 6JIC X 6ORB	2
29	CHM207	FITTING STRAIGHT, 6JIC, 8ORB, STL	8
30	60062	FITTING, SWIVEL NUT ELBOW, 3/8	8
31	3G21	SNAP RING, 1 HEAVY DUTY	8





**FIGURE 33**  
OPTIONAL TFODDCC  
DUAL MOTOR











H&S MFG. CO.  
products approved  
for the  
FEMA  
SEAL OF QUALITY



Manufactured by:  
H&S MANUFACTURING CO., INC.  
2608 S. HUME AVE. MARSHFIELD, WI 54449  
(715) 387-3414 | hsmfgco.com

