



PARTS BOOK

TF6128
MERGER

Part #79759

Rev. #**10**

HSMFG091624

Starting Ser. # UNIT 29

FIGURE #	CONTENTS	PAGE #
*	INSTRUCTIONS FOR ORDERING PARTS	1
1	HITCH COMPONENTS	2-3
2	MAIN POLE & LOCK POST	4-5
3	FILTER & COMPONENTS	6-7
4	AXLE BASE COMPONENTS	8-9
5	REAR FRAME & COMPONENTS	10-11
6	SIDE SHIELD & COMPONENTS	12-13
7	SUSPENSION & COMPONENTS	14-17
8	HEAD FRAME & COMPONENTS	18-19
9	REEL IDLER & COMPONENTS	20-21
10	TINE BAR & COMPONENTS	22-23
11	GEAR BOX	24-25
12	DRIVE ROLLER & COMPONENTS	26-27
13	SKID SHOE & COMPONENTS	28-29
14	BELT & COMPONENTS	30-31
15	DEFLECTOR & COMPONENTS	32-33
16	HEAD LOCK BRACKET & COMPONENTS	34-35
17	MAIN POLE HYDRAULIC	36-37
18	UNFOLD HYDRAULICS	38-39
19	SUSPENSION HYDRAULICS	40-41
20	HYDRAULIC MOTOR & COMPONENTS	42-43
21	HYDRAULIC VALVE	44-45
22	ACCUMULATOR & HYDRAULIC	46-47
23	HEAD HYDRAULIC VALVE	48-49
24	PTO 1-3/8 1000RPM STANDARD	50-51
25	PTO 1-3/8 1000RPM LONG	52-53
26	PTO 1-3/4 1000RPM STANDARD	54-55
27	PTO 1-3/4 1000RPM LONG	56-57
28	REMOTE FILTER	58-59
29	DISPLAY MOUNT	60-61
30	LIGHTS	62-63
31	ELECTRICAL	64-65
32	OPTIONAL TFOHSS - HYDRAULIC SKID SHOE KIT	66-67
33	OPTIONAL TFODDCC - DUAL MOTOR	68-69
*	PARTS NOTES	70



INSTRUCTIONS FOR ORDERING PARTS

All service parts should be ordered through your authorized H&S dealer. Your Dealership will be able to give you faster service if you will provide them with the following:

1. All references to left or right apply to the machine as viewed from the rear.
2. Parts should not be ordered from illustration only. Please order complete part number.
3. If your dealer has to order parts - give shipping instructions:

VIA truck - large pieces (please specify local truck lines)

VIA United Parcel Service (include full address)

H&S MFG. CO. INC.	
MARSHFIELD, WIS.	
MOD. NO.	<input type="text"/>
SER. NO.	<input type="text"/>
DESCR.	<input type="text"/>

PLEASE RECORD NUMBERS FOR YOUR UNIT FOR QUICK REFERENCE

H&S IS CONTINUALLY STRIVING TO IMPROVE ITS PRODUCTS

We must, therefore, reserve the right to make improvements or changes whenever it becomes practical to do so, without incurring any obligation to make changes or additions to the equipment previously sold.





FIGURE 1
HITCH COMPONENTS

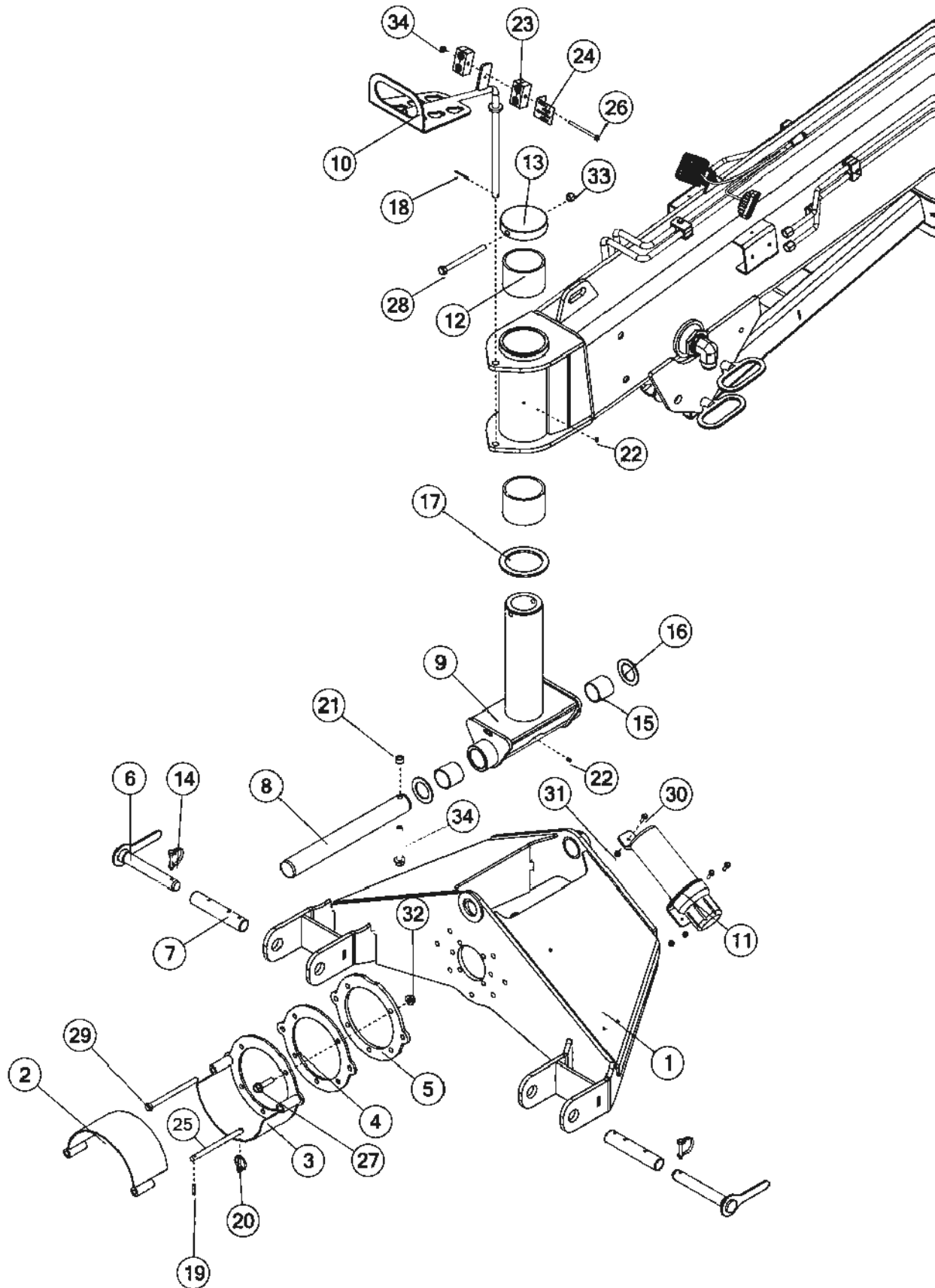




FIGURE 1 HITCH COMPONENTS

REF #	PART #	DESCRIPTION	QTY
1	79171B	3 PT HITCH W/DECALS	1
2	79340B	PTO SHIELD COVER W/DECALS	1
3	79339	PTO LOWER SHIELD	1
4	79333	COVER SPACER, .25	1
5	79331	COVER SPACER, .375	1
6	PTMWE65	HITCH PIN	2
7	PTMTU56	CAT 3 ADAPTER TUBE	2
8	79165	3 PT HITCH PIVOT PIN	1
9	79158	3 PT HITCH PIVOT	1
10	79219	HOSE HOLDER	1
11	S522	MANUAL HOLDER	1
12	70157	BUSHING	2
13	79167	PIVOT CAP	1
14	DWM324	SNAPPER PIN	1
15	PTMMS120	BUSHING	2
16	RG24	BRONZE THRUST WASHER	2
17	SHM2MS29	HITCH THRUST WASHER	1
18	YPCT05010	COTTER PIN, 5/32 X 1-1/2	1
19	YPEX08010	EXPANSION PIN, 1/4 X 1-1/4	1
20	YPLY06010	LYNCH PIN, 3/16 X 1-9/16	1
21	YNRL12005	NUT HEX, 3/8-16 LKRS	1
22	G89	STRAIGHT ZERK 1/4-28 X 90	2
23	56596	CLAMP CUSHION (SET OF 2)	2
24	79432	HOSE TAG	1
25	79341	SHIELD PIN	1
26	YBFB08050	BOLT FLANGE, 1/4 X 4 G5	1
27	YBFB16200	BOLT FLANGE, 1/2 X 2 G5	5
28	YBHH16165	BOLT HEX, 1/2 X 6 G5	1
29	YBHH16180	BOLT HEX, 1/2-13 X 7 G5	1
30	YBFB08100	BOLT FLANGE, 1/4 X 1 G5	1
31	YNFG08010	NUT FLANGE, 1/4	1
32	YNFG16003	NUT FLANGE, 1/2	6
33	YNNY16005	NUT HEX, 1/2-13 G2	1
34	YBFB12300	BOLT FLANGE, 3/8 X 3 G5	1





FIGURE 3
FILTER & COMPONENTS

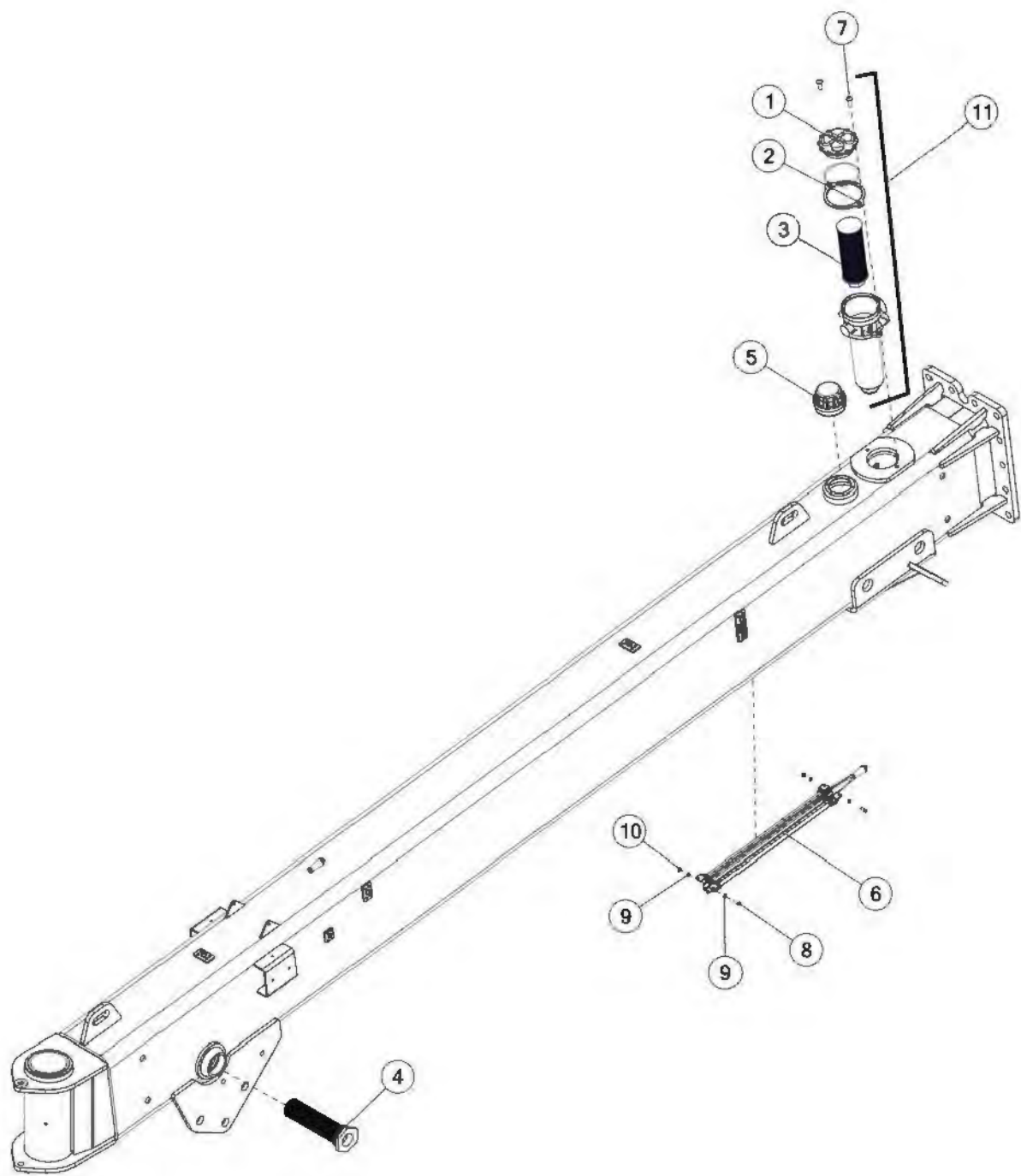




FIGURE 4 AXLE BASE & COMPONENTS

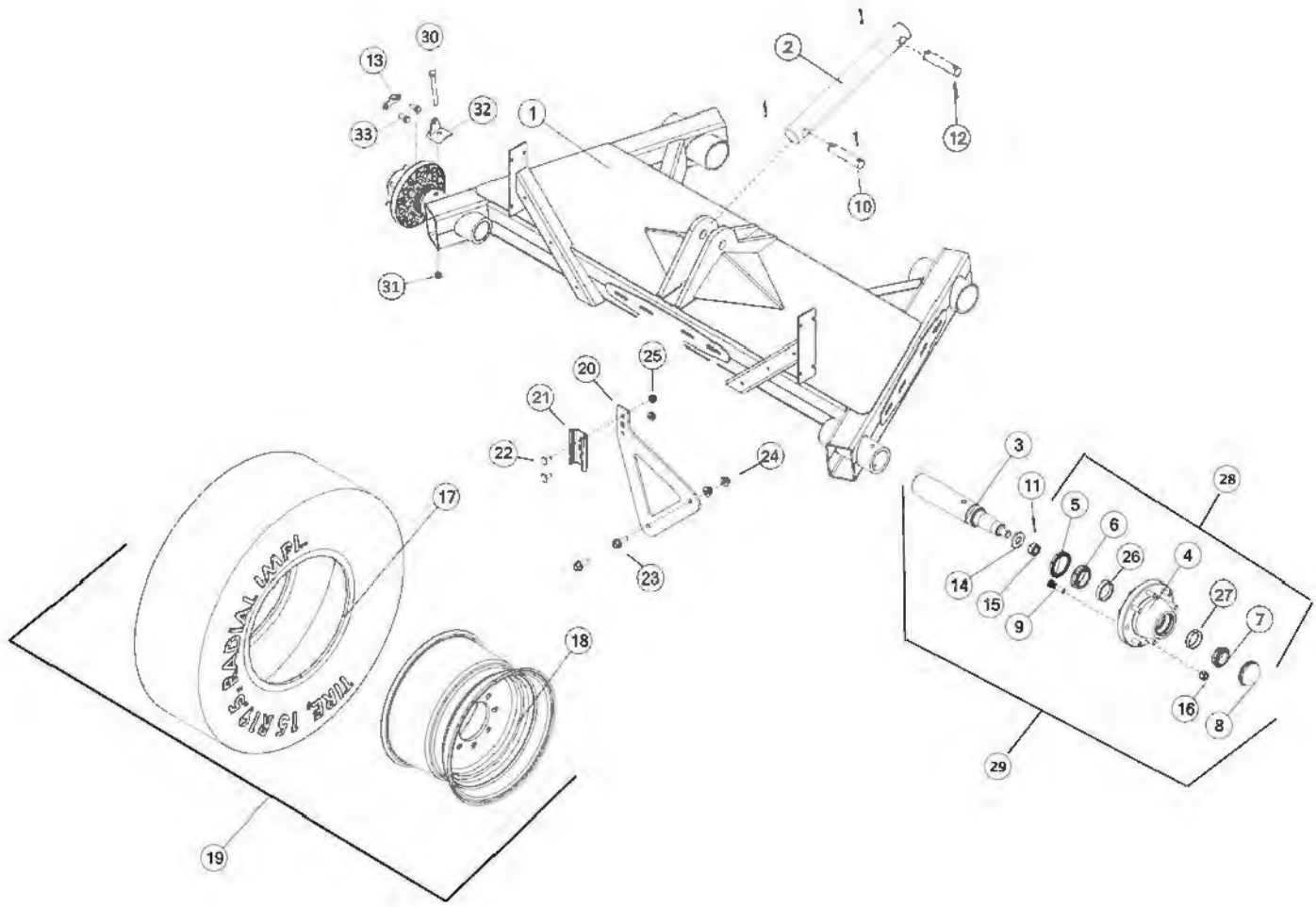




FIGURE 4 AXLE BASE & COMPONENTS

REF #	PART #	DESCRIPTION	QTY
1	78988B	MERGER TAIL DECK W/DECALS	1
2	86333	CONNECTING LINK	1
3	78990	SPINDLE	2
4	PTMAS89	808 HUB WITH STUDS & RACES	2
5	60996	SEAL	2
6	8717	TAPERED ROLLER BEARING	2
7	B7	INNER BEARING	2
8	8720	DUST CAP	2
9	YBSD20010	BOLT STUD, 5/8 X 2-1/2 G8	16
10	79251	CYL PIN	2
11	YPCT06020	COTTER PIN, 3/16 X 2	2
12	YPCT08007	COTTER PIN, 1/4 X 2	4
13	80469	TRIGGER	1
14	PTMHF128	808 SPINDLE WASHER	2
15	YNSL32005	NUT SLOT, 1-14 NA G2 NF	2
16	YNWL20005	NUT WHEEL, 5/8-18 NA G ZC	16
17	71362	TIRE, BKT, 15 R19.5 RADIAL IMPL	2
18	71365SR	WHEEL, 19.5 X 12.25 8 BOLT OFF WHITE	2
19	71366SR	15R19.5 RAD TIRE ON 19.5 X 12.25, 8 BOLT WHEEL	2
20	88254	SMV MOUNT	1
21	F97	SMV HOLDER	1
22	YBCR10030	BOLT CARRIAGE, 5/16 X 3/4	2
23	YBFB12003	BOLT FLANGE, 3/8 X 1	2
24	YNFG12006	NUT FLANGE, 3/8	2
25	YNFG10005	NUT FLANGE, 5/16	2
26	8714	INNER RACE	2
27	8715	OUTER RACE	2
28	PTMAS90	COMPLETE HUB ASSEMBLY	2
29	92196	HUB SPINDLE ASSEMBLY	2
30	YBFB16500	BOLT FLANGE, 1/2 X 5 G5	2
31	YNFG16003	NUT FLANGE, 1/2 GF	2
32	83015	PROX SADDLE	1
33	YBHH16011	BOLT HEX, 1/2 X 1 G5	2





FIGURE 5 REAR FRAME & COMPONENTS

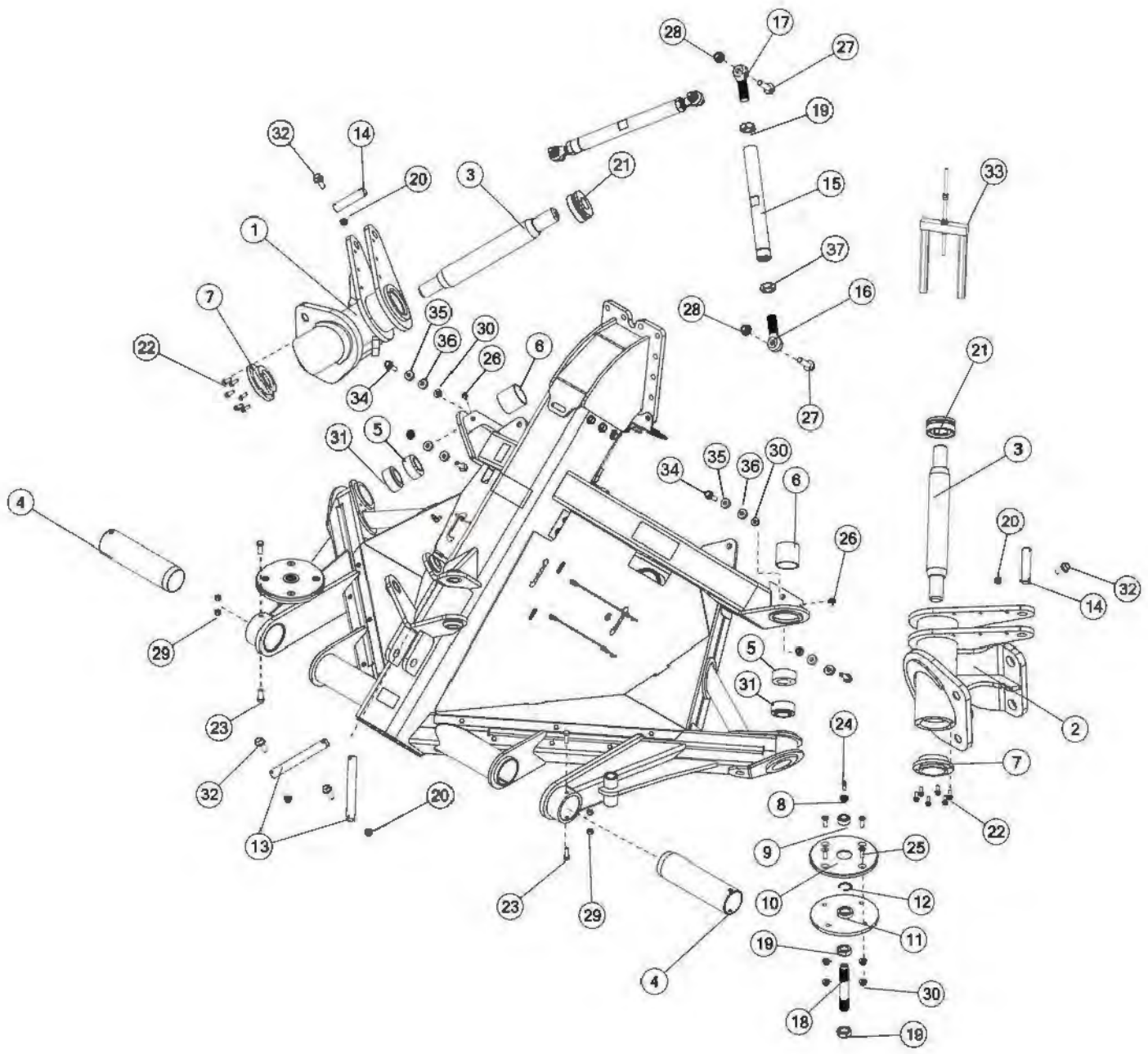




FIGURE 5

REAR FRAME & COMPONENTS

REF #	PART #	DESCRIPTION	QTY
1	82604	LEFT PIVOT	1
2	82640	RIGHT PIVOT	1
3	79095	ROUND PIVOT PIN	2
4	79071	PIVOT SLEEVE	2
5	87031	BUSHING	2
6	70150	POLY BUSHING	2
7	82578	BEARING RACE	2
8	79534	LINKAGE PIN BUSHING	2
9	79586	SPHERICAL BEARING	2
10	79765	POLY LANDING PAD	2
11	79768	PAD WELDMENT	2
12	25G68	INTERNAL STANDARD SNAP RING, 1-3/4	2
13	96012	CYLINDER PIN, LIFT	2
14	96014	CYLINDER PIN, LIFT	2
15	93342	STRUT ROD	2
16	93341	CLEVIS, 1-1/4 X 3/4 LH	2
17	93340	CLEVIS, 1-1/4 x 3/4 RH	2
18	79727	THREADED ADJUSTER	2
19	YNJM36006	NUT JAM, 1-1/4 A RH	6
20	YNFG08010	NUT FLANGE, 1/4 GF	4
21	87030	BUSHING	2
22	YBFB12003	BOLT FLANGE, 3/8 X 1 G5	12
23	YBHH16035	BOLT HEX, 1/2 X 1-1/2 G8	2
24	YSHS12010	BOLT SOCKET, 3/8-16 X 1 MECH ZC	2
25	YSFS16011	BOLT FLAT SOK, 1/2-13 X 1-1/2 BO	8
26	YBFB12050	BOLT FLANGE, 3/8 X 1/2 G5	2
27	YBFB24010	BOLT FLANGE, 3/4-10 X 2-3/4 G8 YZ	4
28	YNFG24006	HEX NUT, FLANGE, TOP LOCK, 3/4-10 GG ZC	4
29	YNRL16005	NUT HEX, 1/2-13 LKRS A ZC	4
30	YNFG16003	NUT FLANGE, 1/2 GF	12
31	79590	SPHERICAL BEARING	2
32	YBFB08175	BOLT FLANGE, 1/4 X 1-3/4 G5	4
33	96484	PIN PULLER TOOL	1
34	YBFB16175	BOLT FLANGE, 1/2 X 1-3/4 G5	4
35	96594	BUSHING	4
36	96593	BUSHING	4
37	YNJM36010	NUT JAM, 1-1/4 G5 LH	2





FIGURE 6 SIDE SHIELD & COMPONENTS

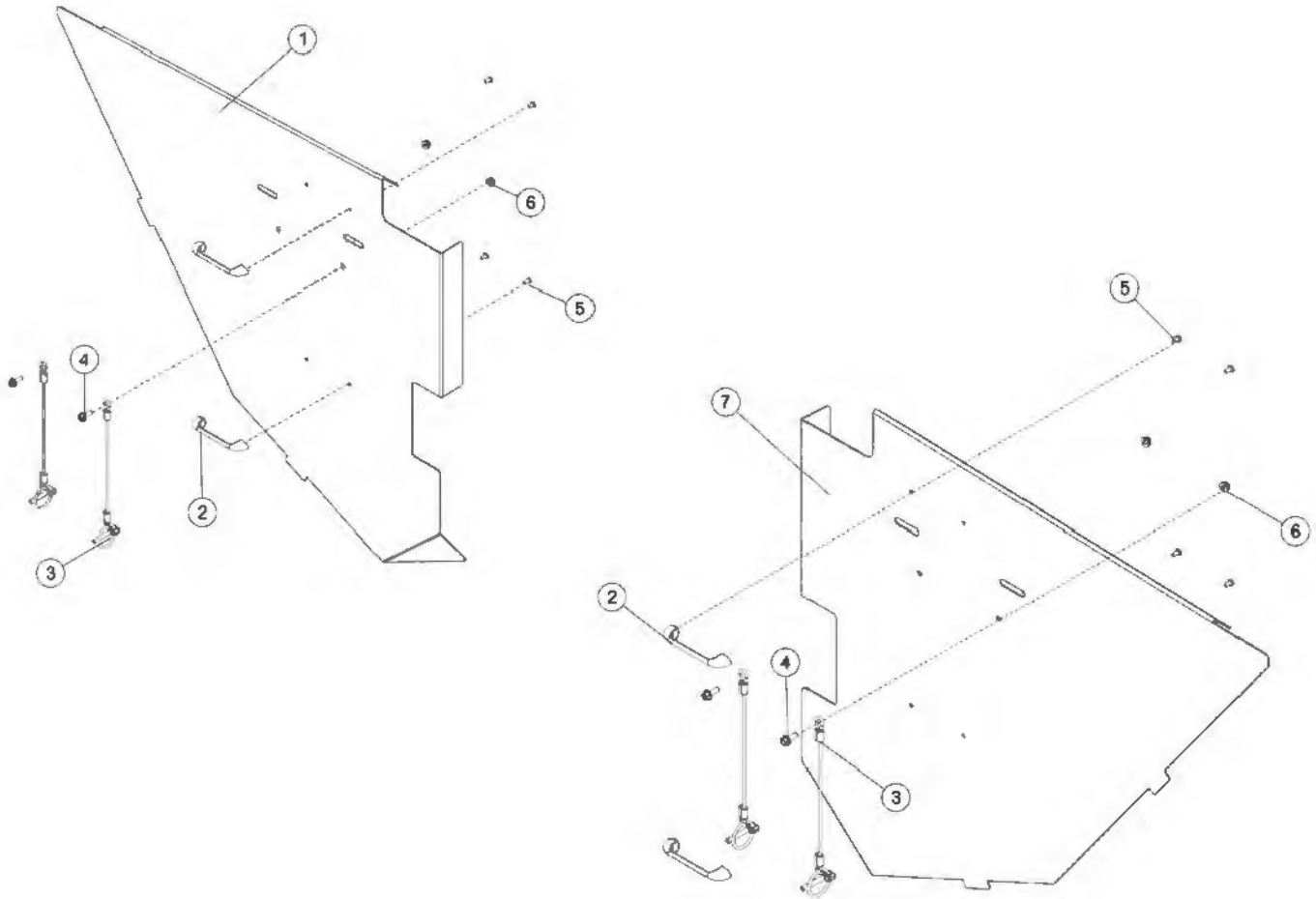




FIGURE 7

SUSPENSION & COMPONENTS

REF #	PART #	DESCRIPTION	QTY
1	83727B1	SUSPENSION LINK	1
*	83727B2	SUSPENSION LINK	1
*	83727B3	SUSPENSION LINK	1
*	83727B4	SUSPENSION LINK	1
2	HS103356	RH KNUCKLE ASSEMBLY WITH BUSHINGS	1
*	HS103355	LH KNUCKLE ASSEMBLY WITH BUSHINGS	1
3	82351B	SPACER	2
4	82357	ROCKER ARM	1
5	79675	SHAFT PIVOT MOUNT	2
6	82350	BEARING STRUT	2
7	82362	LIFTING STRAP	1
8	89112	ROD CLEVIS ADAPTER	1
9	89115	LIMITING STRAP	2
10	89548	BEARING BLOCK ADJUSTER	1
11	89546	SPACER PLATE	1
12	82355	PIVOT SHAFT	1
13	93021	LINKAGE PIN, LONG	2
14	93024	LINKAGE PIN, SHORT	2
15	83864	MACHINED PIN	1
16	HS103131	POLY BUSHING	2
17	HS103186	HEAD LOCKING COLLAR	1
18	HS103187	HEAD THRUST WASHER	1
19	89111	PIN SLEEVE	1
20	83003	CYLINDER PIN	1
21	89118	CYLINDER PIN	1
22	79586	SPHERICAL BEARING	12
23	YPCT05020	COTTER PIN, 5/32 X 1-1/2	8
24	79538	SPACER, .76	2
25	82369	SPACER	4
26	82370	SHIM	2
27	82320	NEEDLE ROLLER BEARING	2
28	82321	SEAL	4
29	83739	HOSE CLAMP	8
30	84273	SPACER	8
31	YBFB16175	BOLT FLANGE, 1/2 X 1-3/4 G5	6
32	YNSL24015	NUT HEX, SLOTTED, 3/4-10 G5 ZC	8
33	YSPP64010	PHILLIPS HEAD MACHINE SCREW, #10-32 X 1	8
34	YSSO12008	SET SCREW, 3/8 X 1	8
35	YBFB16350	BOLT FLANGE, 1/2 X 3-1/2 G5	1





FIGURE 7 SUSPENSION & COMPONENTS

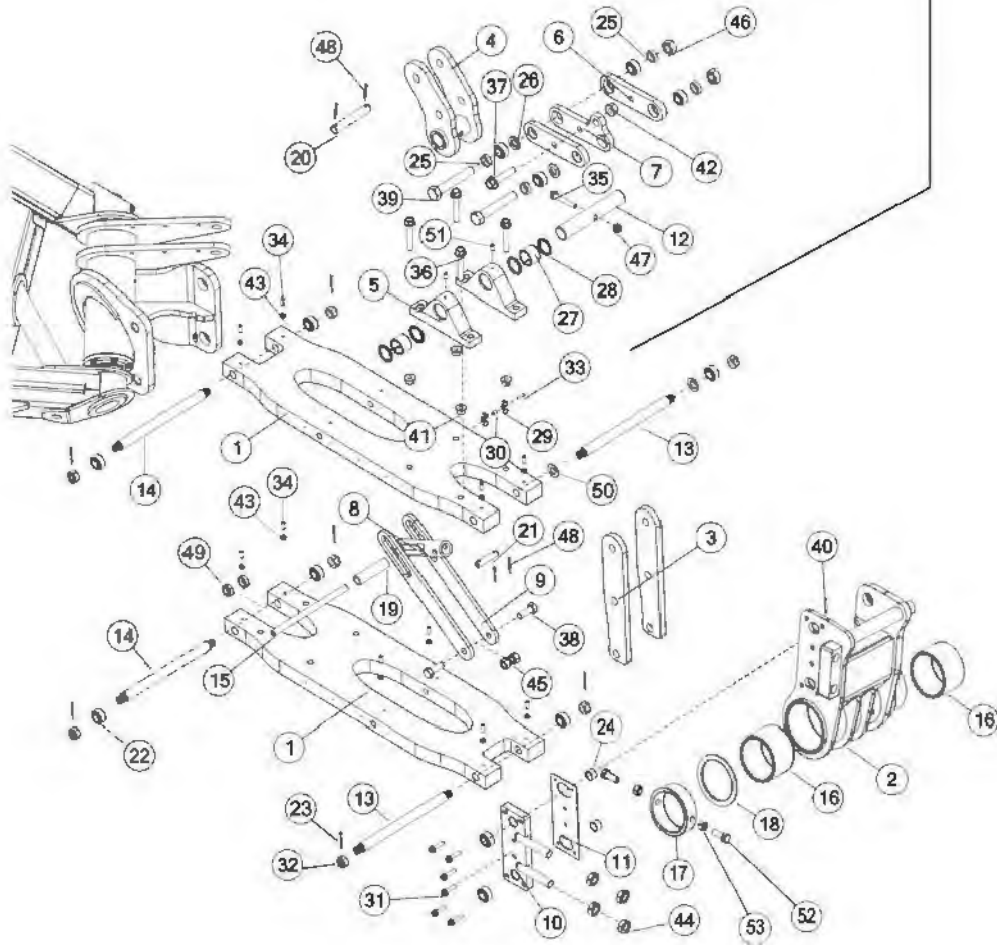
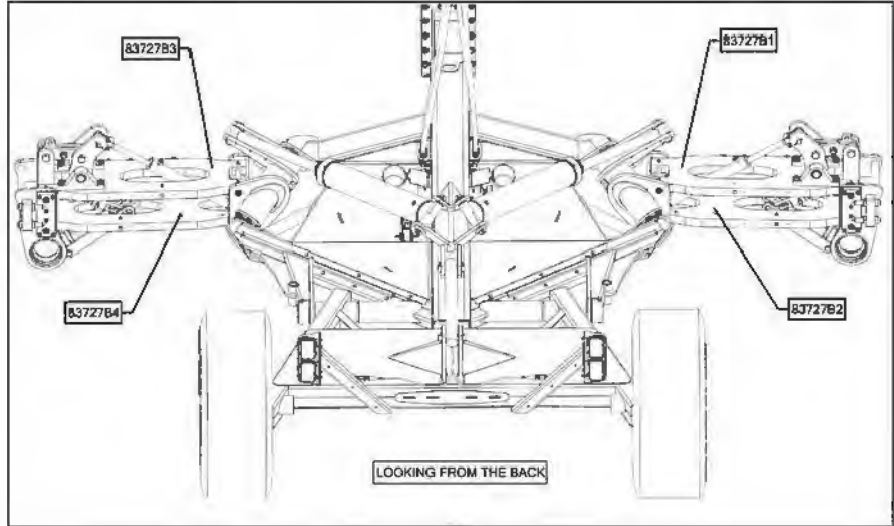
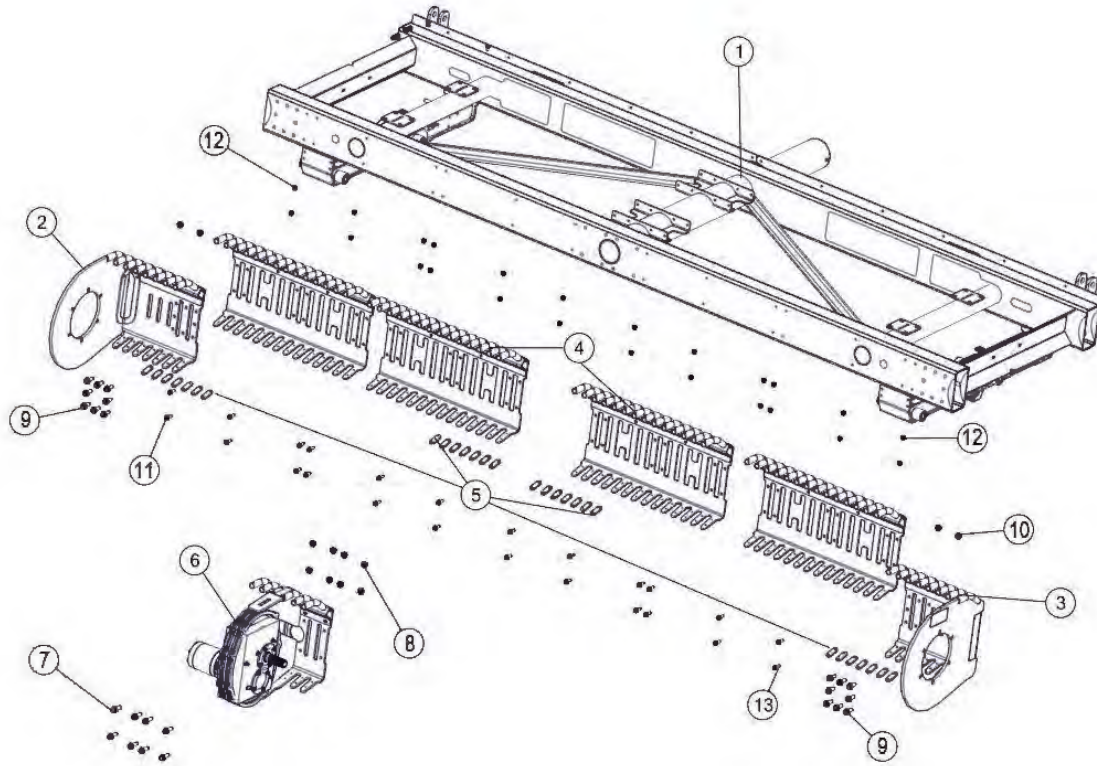




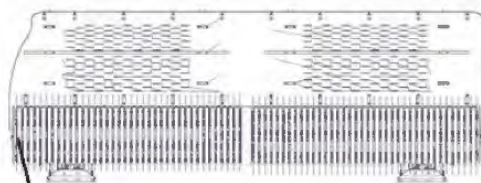
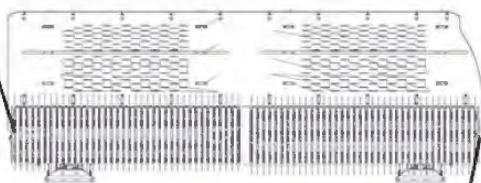
FIGURE 8 HEAD FRAME & COMPONENTS



85881B1

LOOKING FROM THE FRONT

85891B2



85891B1

85881B2



FIGURE 9 REEL IDLER & COMPONENTS

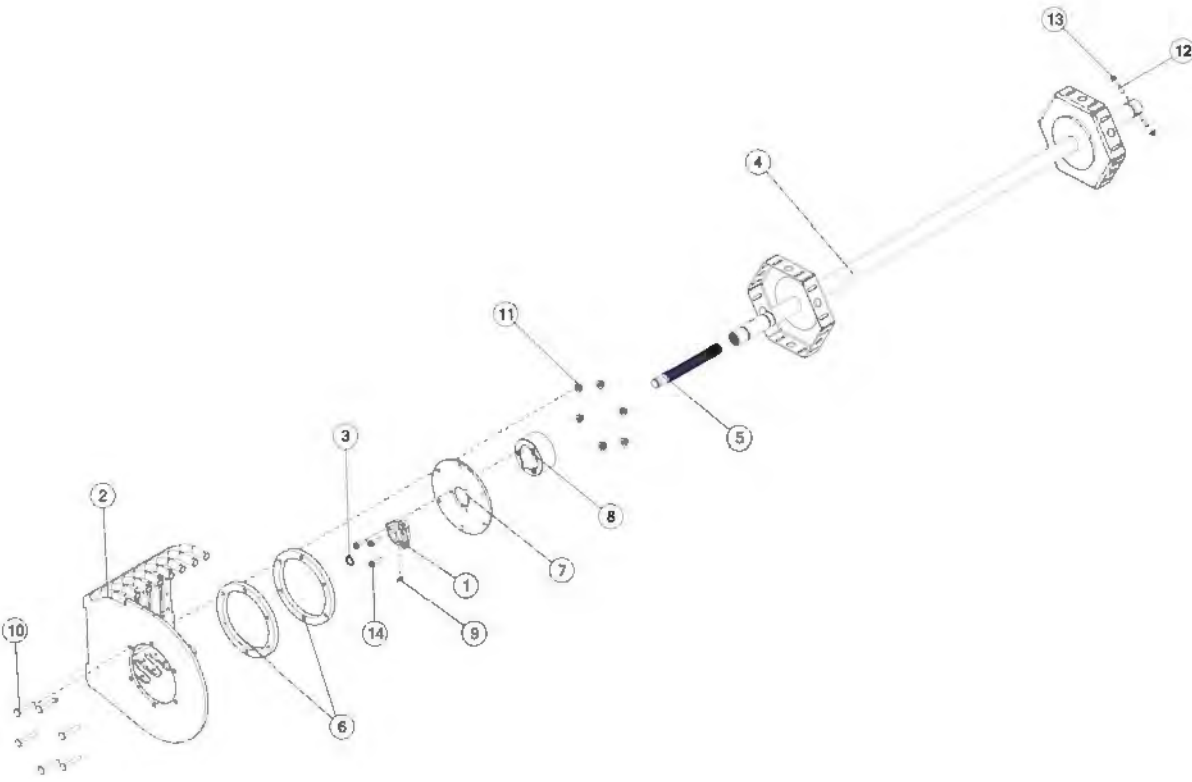
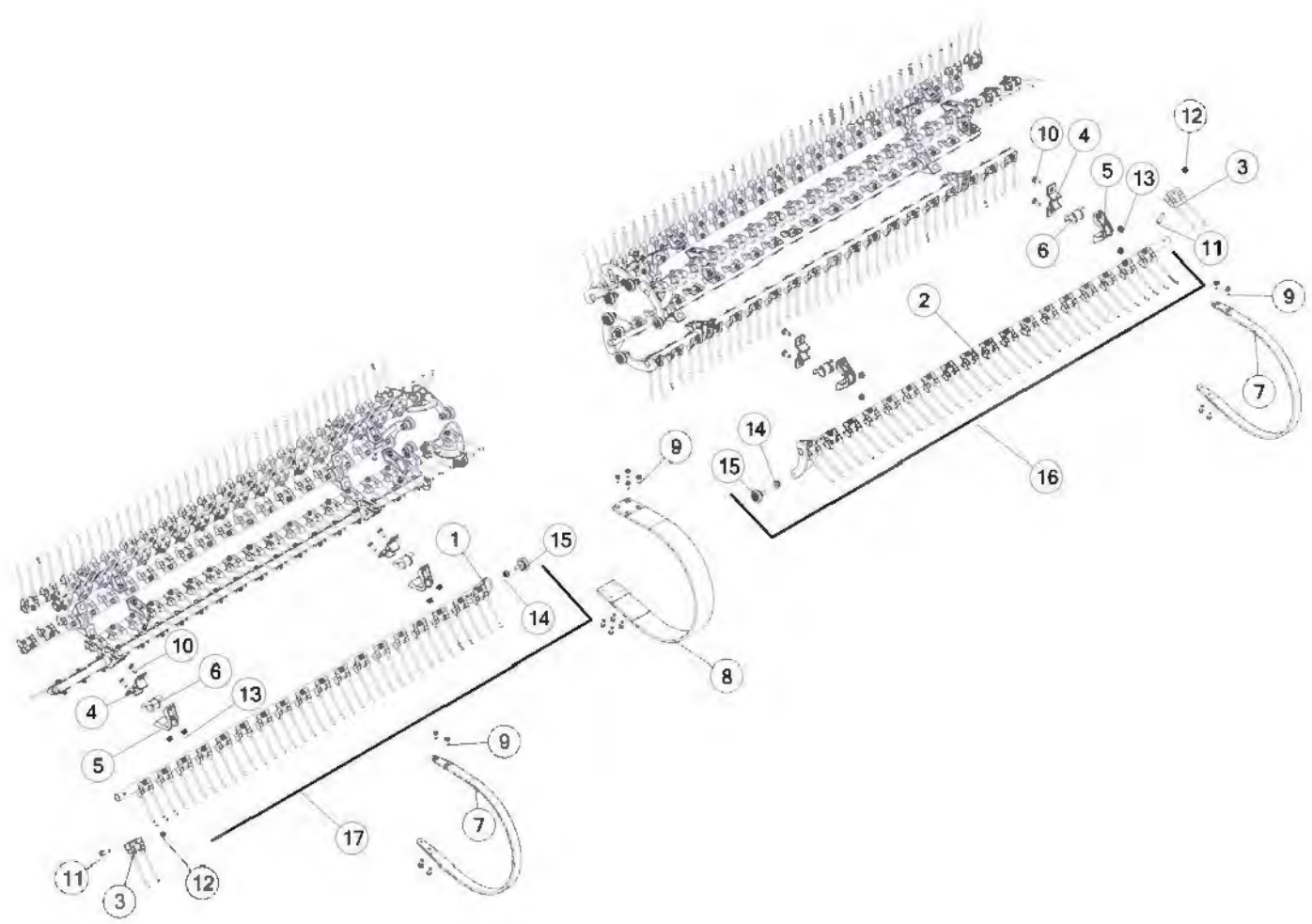




FIGURE 10 TINE BAR & COMPONENTS



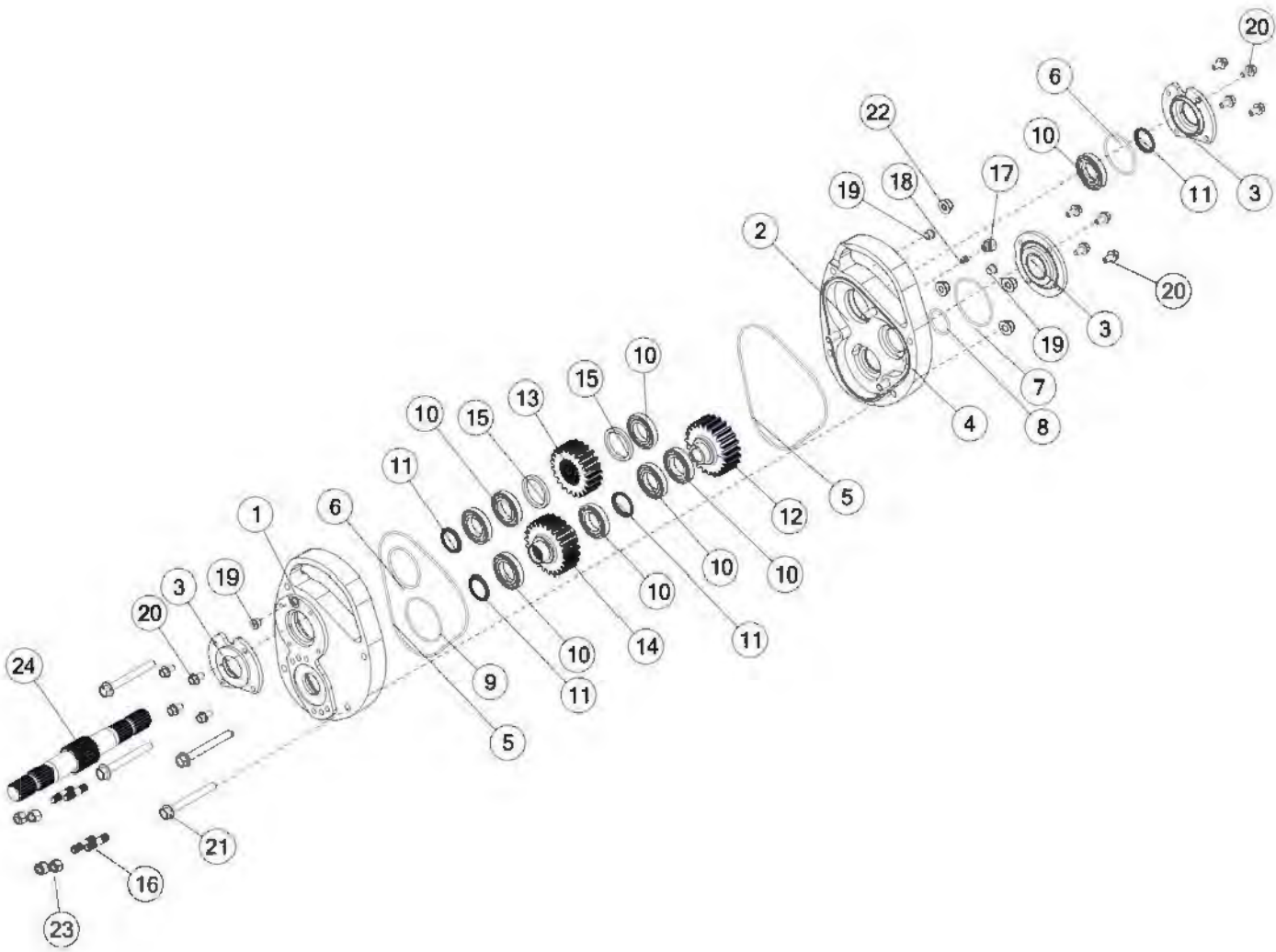




FIGURE 12

DRIVE ROLLER & COMPONENTS

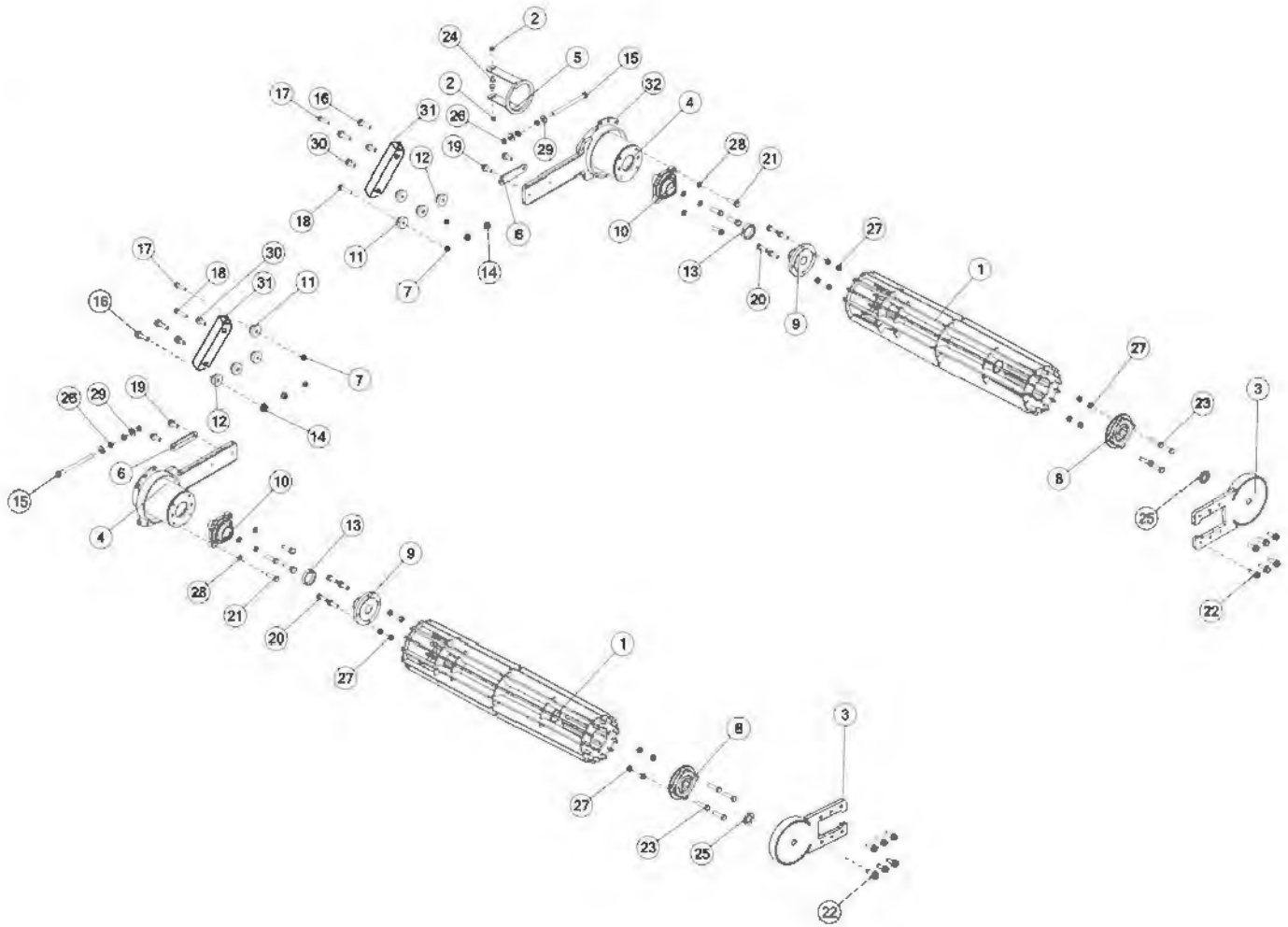




FIGURE 12

DRIVE ROLLER & COMPONENTS

REF #	PART #	DESCRIPTION	QTY
1	82863	ROLLER, FLUTED, A-SECTION	2
2	YNL12005	NUT HEX, 3/8-16 LKTL ZC	2
3	96602	BEARING SUPPORT	2
4	82966	CROSS CONVEYER, DRIVE	2
5	83177	MOTOR HOLD DOWN BRACKET	1
6	84034	CLAMP PLATE	2
7	YNFG12006	NUT FLANGE, 3/8 GF	4
8	TFM45	IDLER BEARING	2
*	97601	HEX BEARING INSERT, 1.25	2
9	83707	REEL DRIVE HUB	2
10	60135	MOTOR HOUSING BEARING	2
*	97595	BEARING, 2	2
11	82850	BEARING BUSHING	4
12	84054	BEARING BUSHING	4
13	88924	SPACER	2
14	YNFG16003	NUT FLANGE, 1/2 GF	4
15	YBHH16181	BOLT HEX, 1/2 X 7 G5 FULL THREAD	2
16	YBFB16200	BOLT FLANGE, 1/2 X 2 G5	4
17	YBFB12175	BOLT FLANGE, 3/8 X 1-3/4 G5	2
18	YBFB12225	BOLT FLANGE, 3/8 X 2-1/4 G5	2
19	YBFB16125	BOLT FLANGE, 1/2 X 1-1/4 G5	4
20	YBHH16030	BOLT HEX, 1/2-13 X 1-1/2 G5	8
21	YBHH16055	BOLT HEX, 1/2-13 X 1-3/4 G5	8
22	YBFB16150	BOLT FLANGE, 1/2 X 1-1/2 G5	12
23	YBHH16065	BOLT HEX, 1/2-13 X 2 G5	8
24	YBCR12065	BOLT CARRIAGE, 3/8-16 X 3/4 G5 ZC	2
25	72063	HEX SHIM, 1/4	2
26	YNJM16005	NUT JAM, 1/2 A	6
27	YNL16005	NUT HEX, 1/2-13 LKTL ZC	16
28	YWLO16005	WASHER LOCK, 1/2	8
29	YWFL16005	WASHER FLAT, 1/2	4
30	YBFB16175	BOLT FLANGE, 1/2 X 1-3/4 G5	4
31	96970	TENSIONING BRACKET	2
32	97189	MOUNT	1





FIGURE 13

SKID SHOE & COMPONENTS

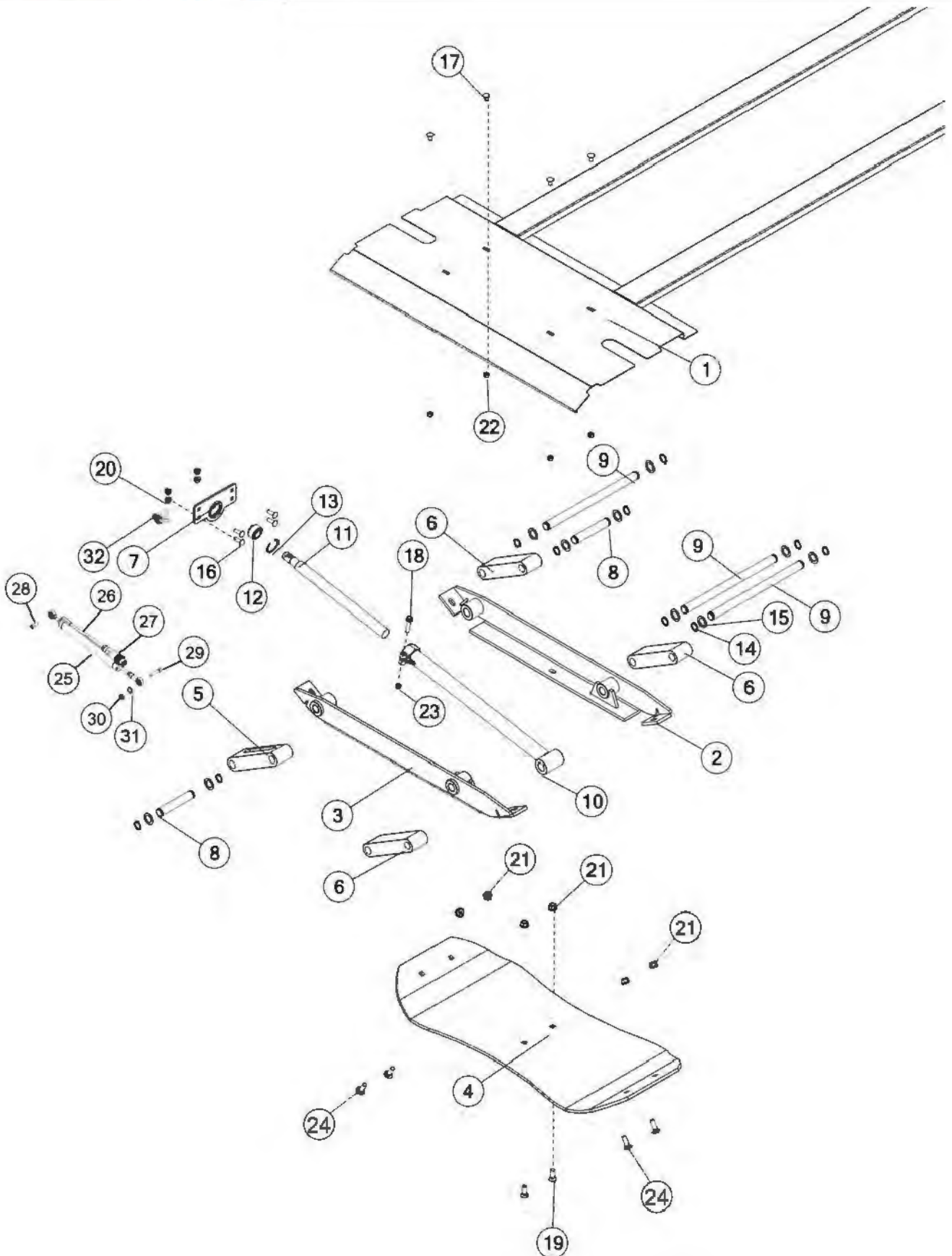




FIGURE 14 BELT & COMPONENTS

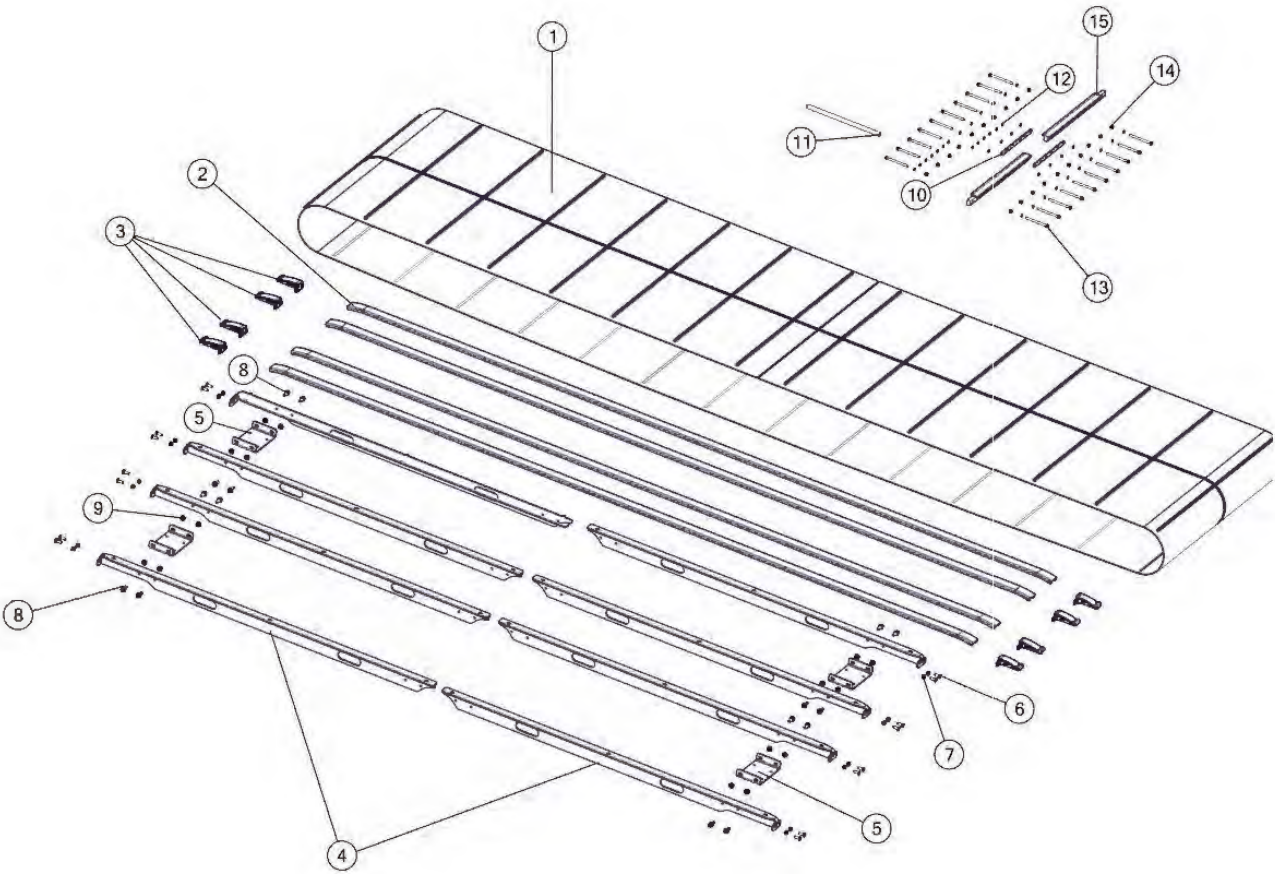




FIGURE 15 DEFLECTOR & COMPONENTS

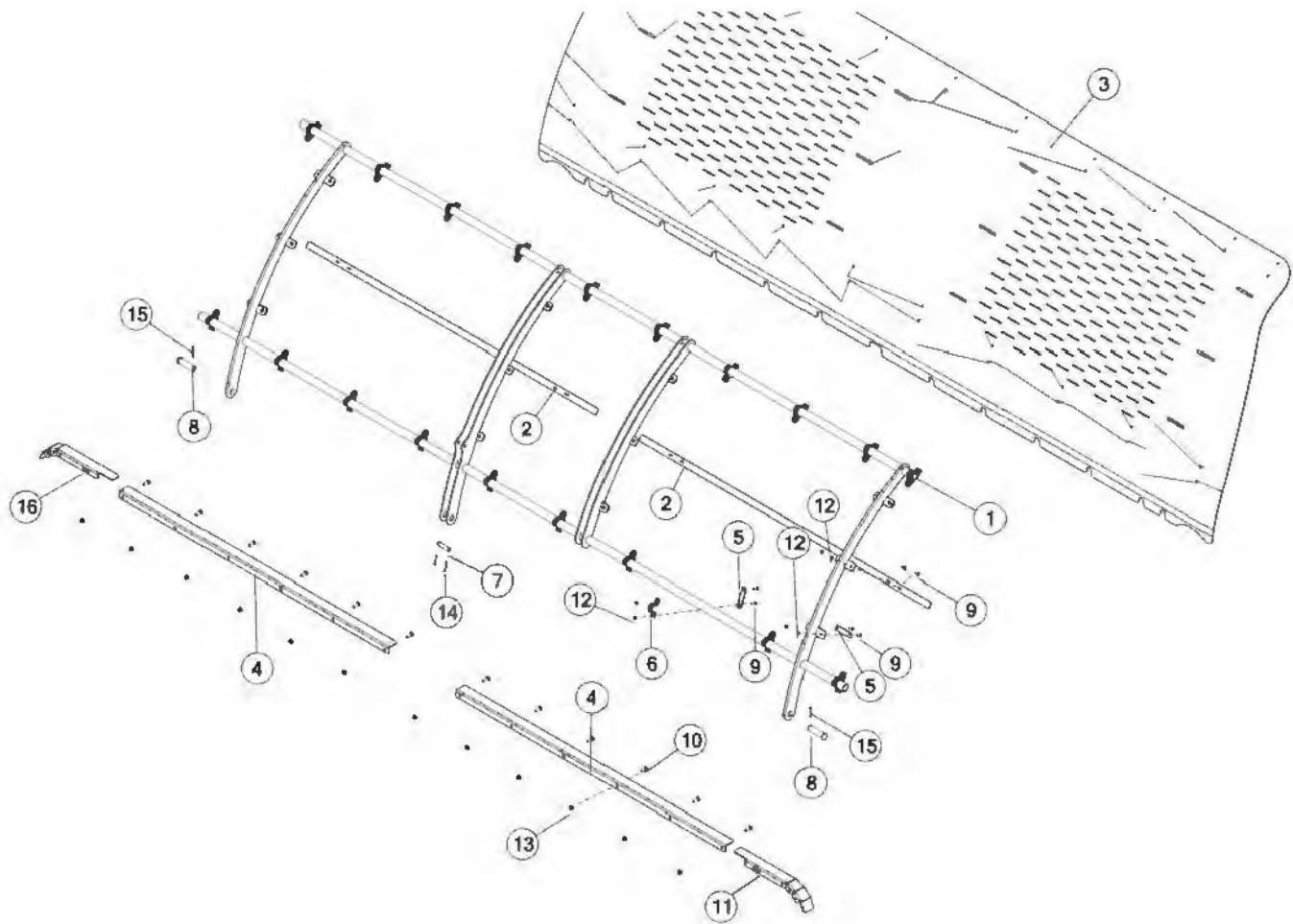




FIGURE 16

HEAD LOCK BRACKET & COMPONENTS

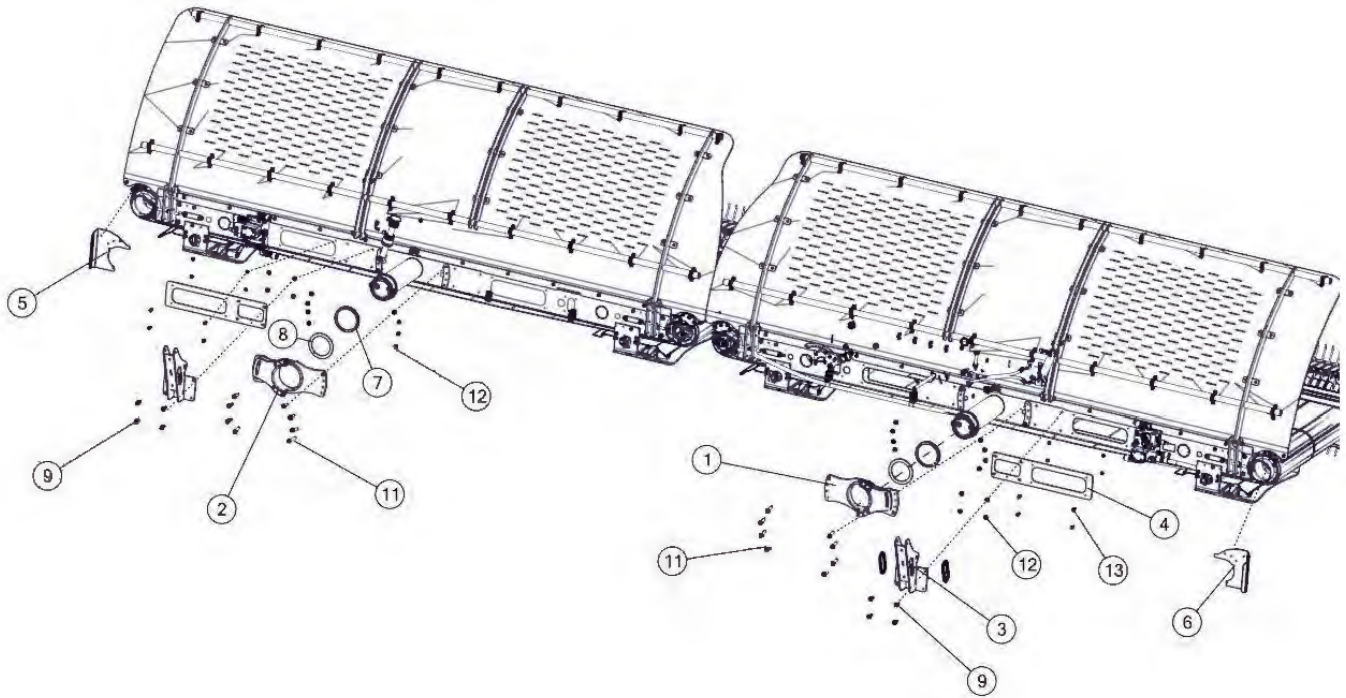




FIGURE 17 MAIN POLE HYDRAULICS

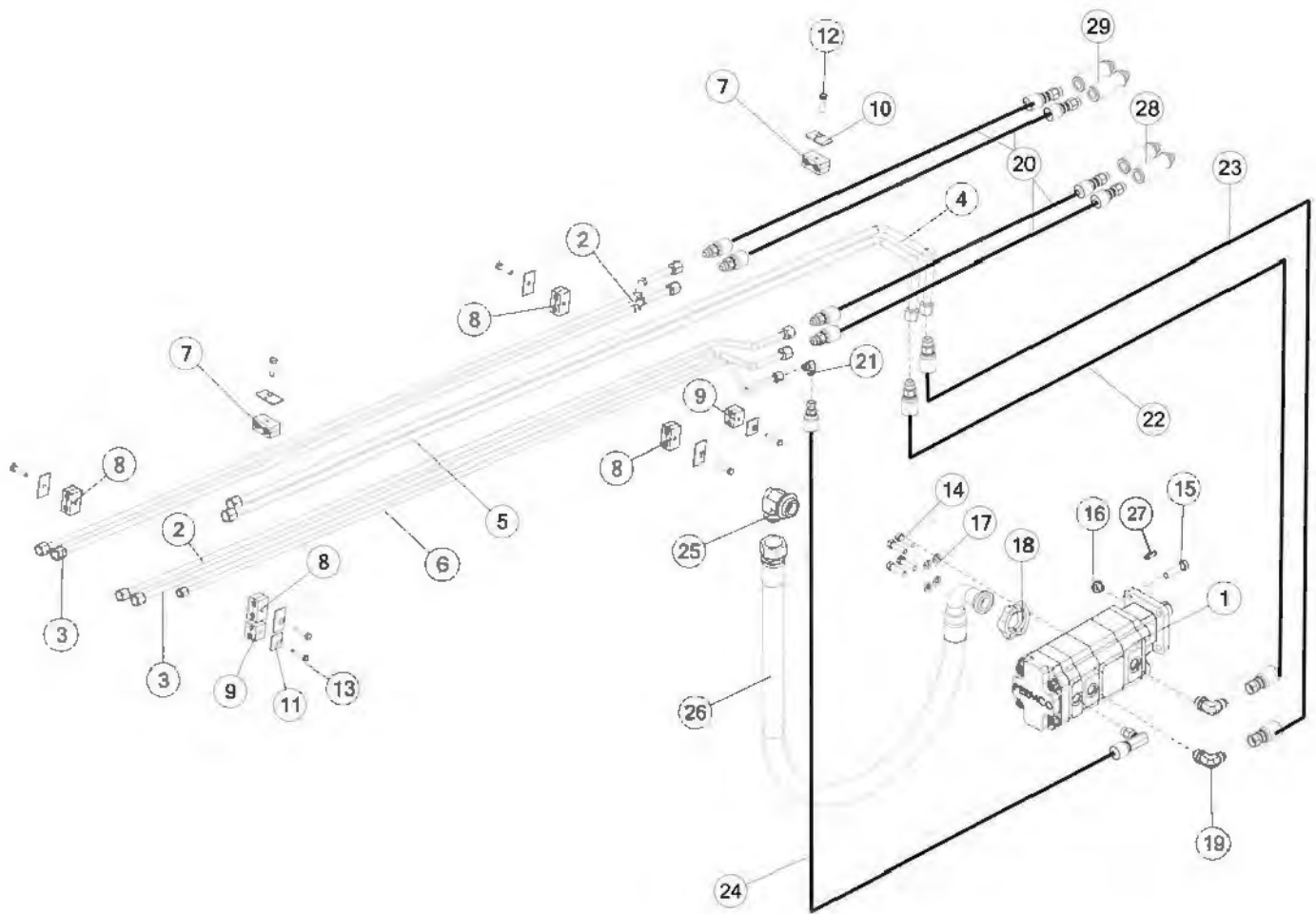




FIGURE 18 UNFOLD HYDRAULICS

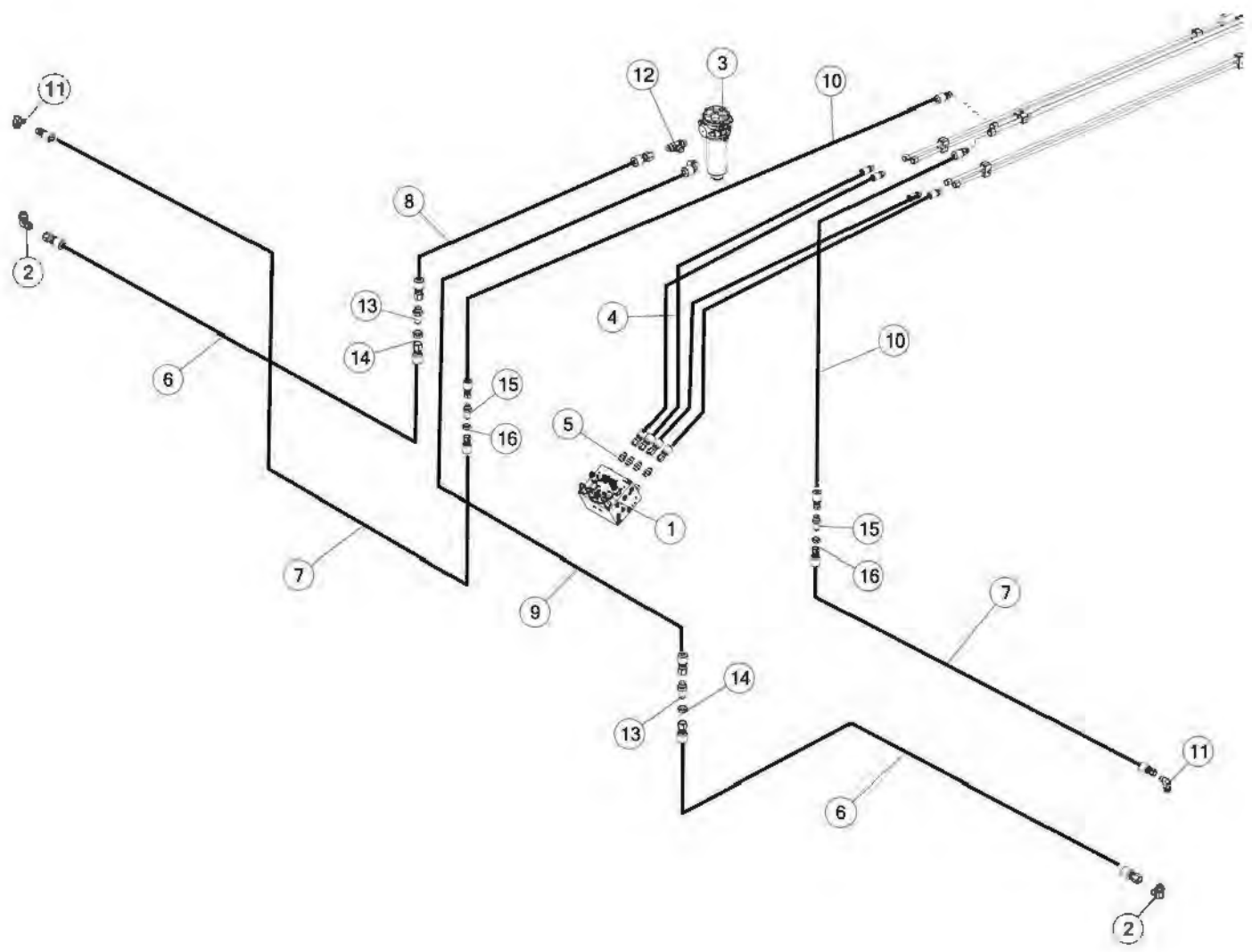




FIGURE 19 SUSPENSION HYDRAULICS

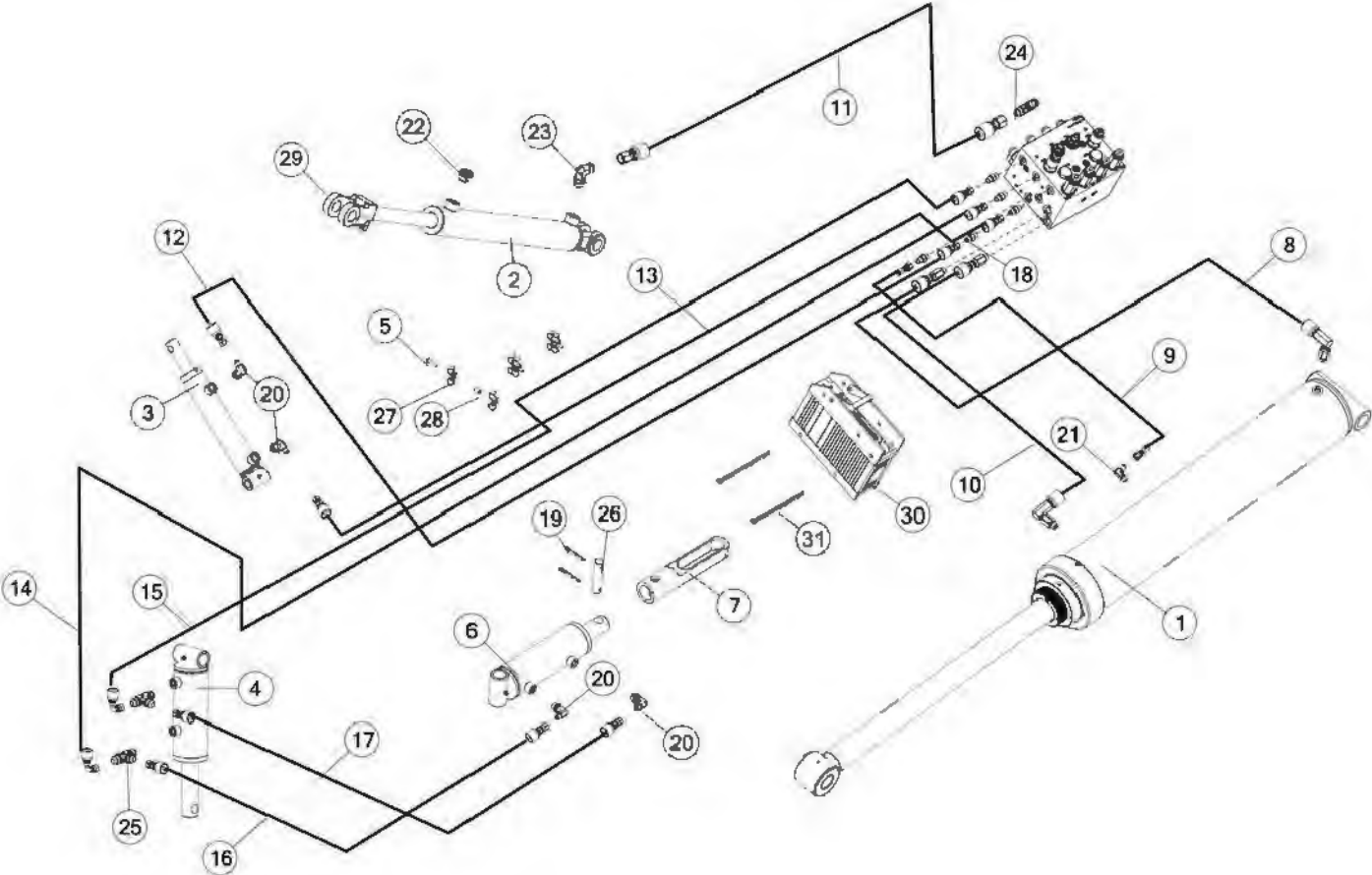




FIGURE 19

SUSPENSION HYDRAULICS

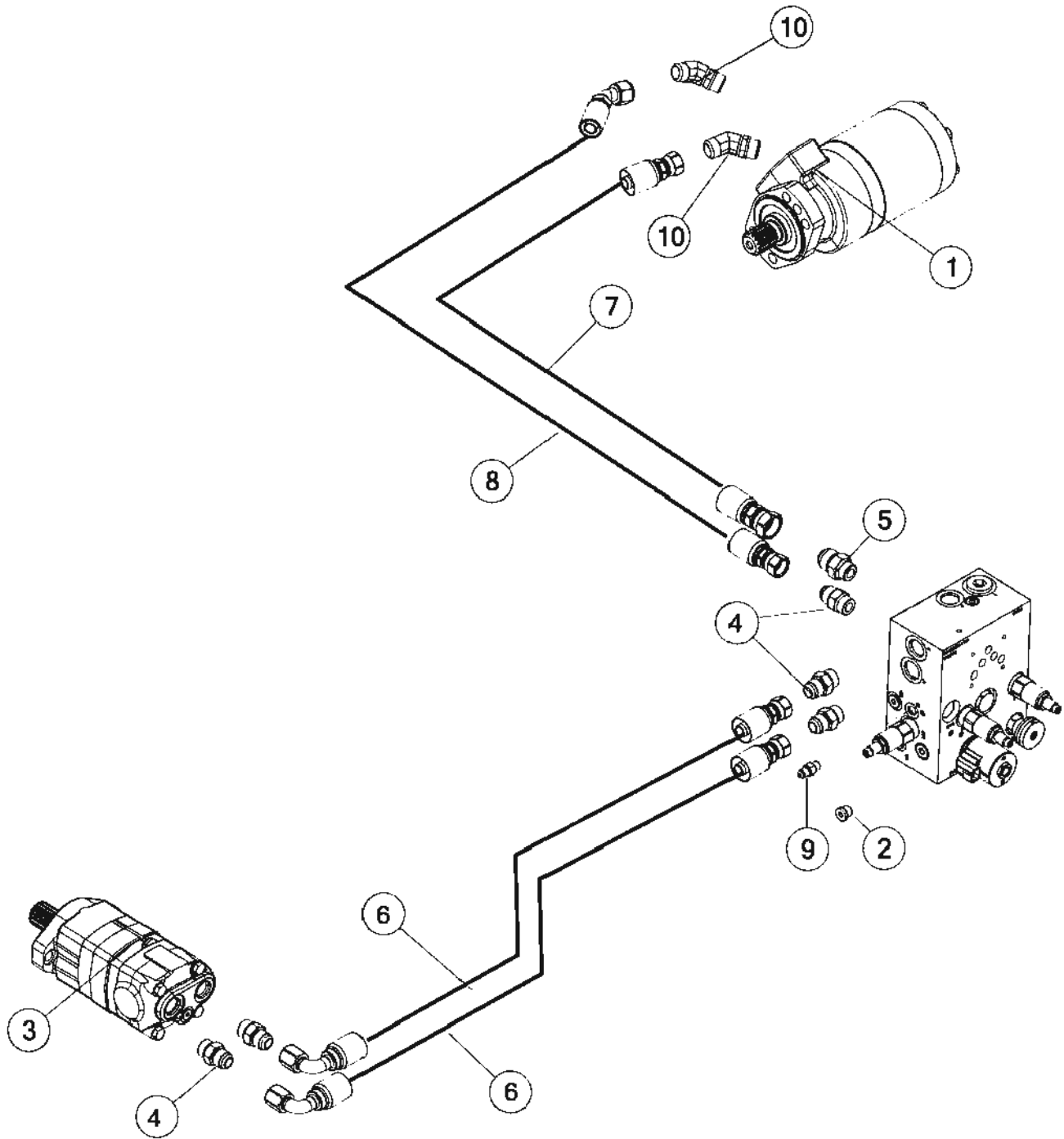
REF #	PART #	DESCRIPTION	QTY
1	83348	HYDRAULIC CYLINDER, 5 X 23	1
*	87433	SEAL KIT	1
*	83336	BUSHING, TENSION	2
2	83417	HYDRAULIC CYLINDER. 2 X 16	1
*	87435	SEAL KIT	1
3	85918	HYDRAULIC CYLINDER, 1-1/2 X 6	1
*	87436	SEAL KIT	1
4	86564	HYDRAULIC CYLINDER, 2-1/2 X 3	1
*	87434	SEAL KIT	1
5	YSP64010	SCREW, PHILLIPS MACHINE HEAD, #10-32 X 1	3
6	78834	HYDRAULIC CYLINDER, 2-1/2 X 4	1
*	87434	SEAL KIT	1
7	89112	ROD CLEVIS ADAPTER	1
8	86374	HYDRAULIC HOSE, 6, 56IN	1
9	83354	HYDRAULIC HOSE, 4, 30IN	1
10	86372	HYDRAULIC HOSE, 6, 28IN	1
11	84284	HYDRAULIC HOSE, 8, 120IN	1
12	86685	HYDRAULIC HOSE, 4, 134IN	1
13	86680	HYDRAULIC HOSE, 4, 137IN	1
14	86686	HYDRAULIC HOSE, 4, 137IN	1
15	86687	HYDRAULIC HOSE, 4, 134IN	1
16	86697	HYDRAULIC HOSE, 4, 16IN	1
17	86699	HYDRAULIC HOSE, 4, 24IN	1
18	58094	FITTING, ST, 4JIC, 4ORB, STL	5
19	YPCT06015	COTTER PIN, 3/16 X 1-3/4	2
20	71281	MALE ELBOW 37° / ORB	4
21	GM30	MALE ELBOW 37° ORB	1
22	TFM92	SAE 8 O-RING 40 MICRON BREATHER CAP	1
23	TS135	FITTING, 8-C5OX-S	1
24	81311	FITTING TEE, 8 JIC, 8 JIC, 8 JIC, STL	1
25	83280	FITTING TEE, 1/4 JIC, 3/8 ORB, 1/4 JIC	2
26	89118	CYLINDER PIN	1
27	83739	HOSE CLAMP	6
28	84273	SPACER	3
29	86510	CLEVIS	1
30	96920	CONTROL MODULE	1
31	YPCT06030	COTTER PIN, 3/16 X 3-3/4	2





FIGURE 20

HYDRAULIC MOTOR & COMPONENTS



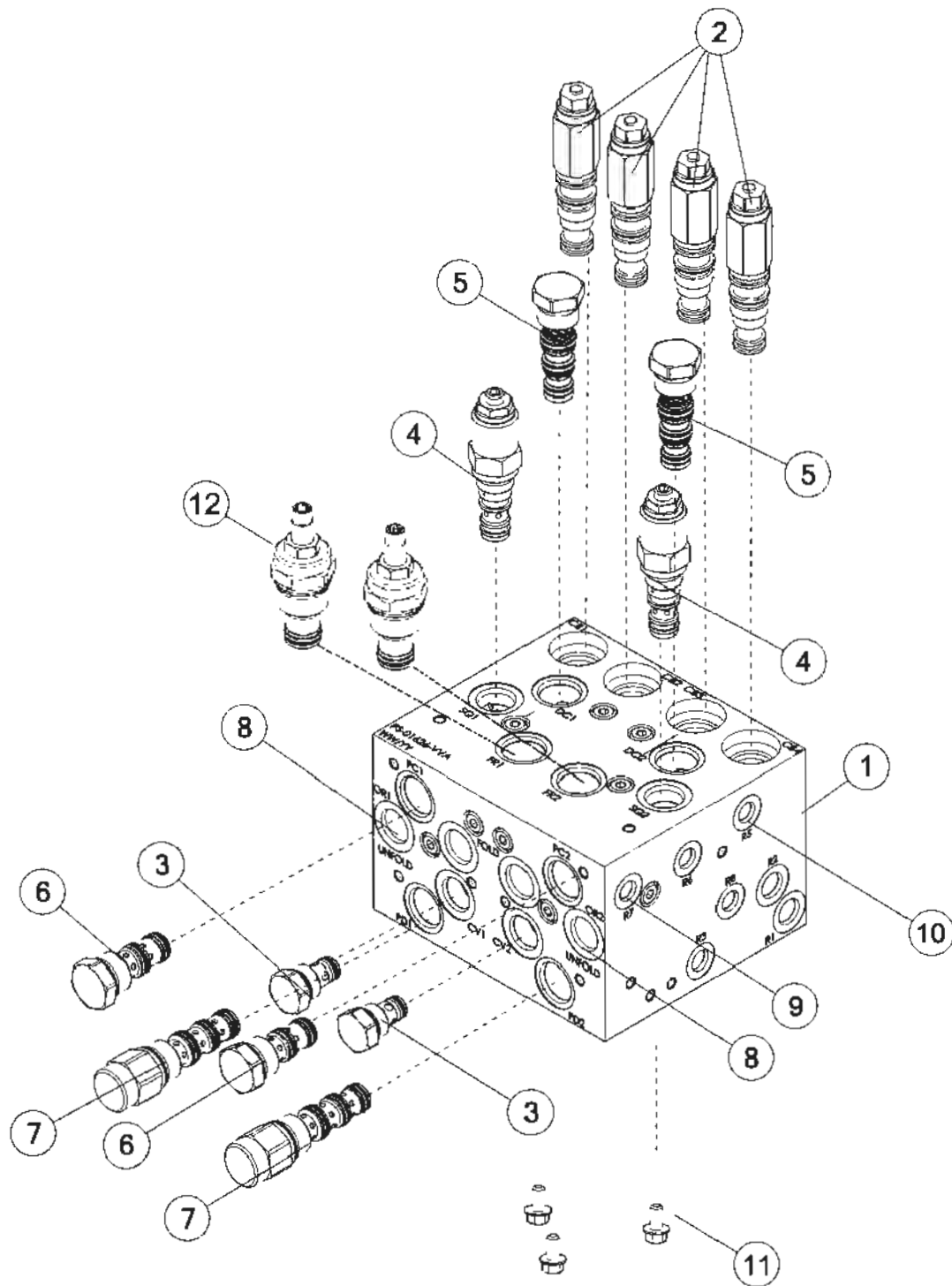




FIGURE 22 ACCUMULATOR & HYDRAULICS

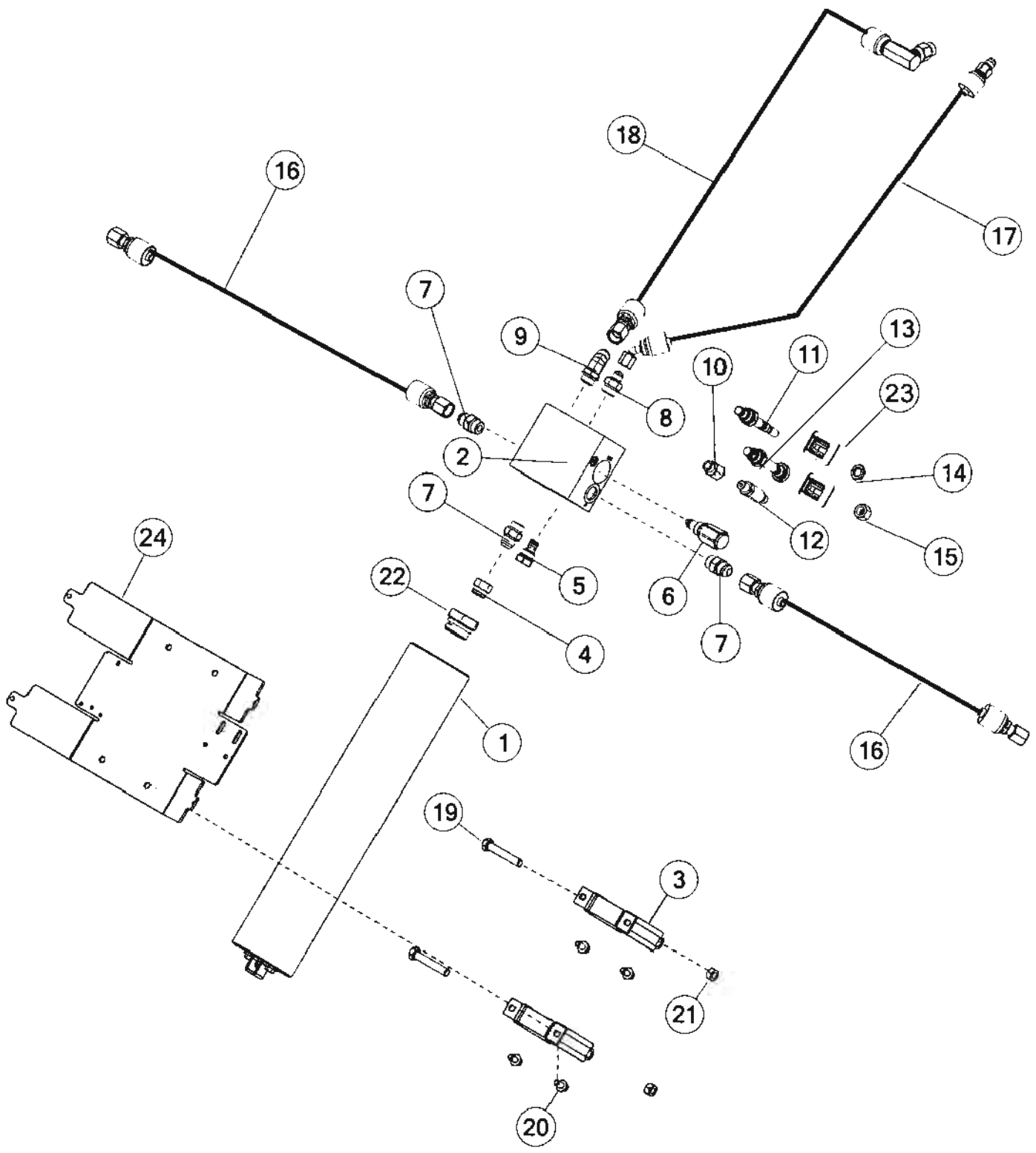




FIGURE 23
HEAD HYDRAULIC VALVE

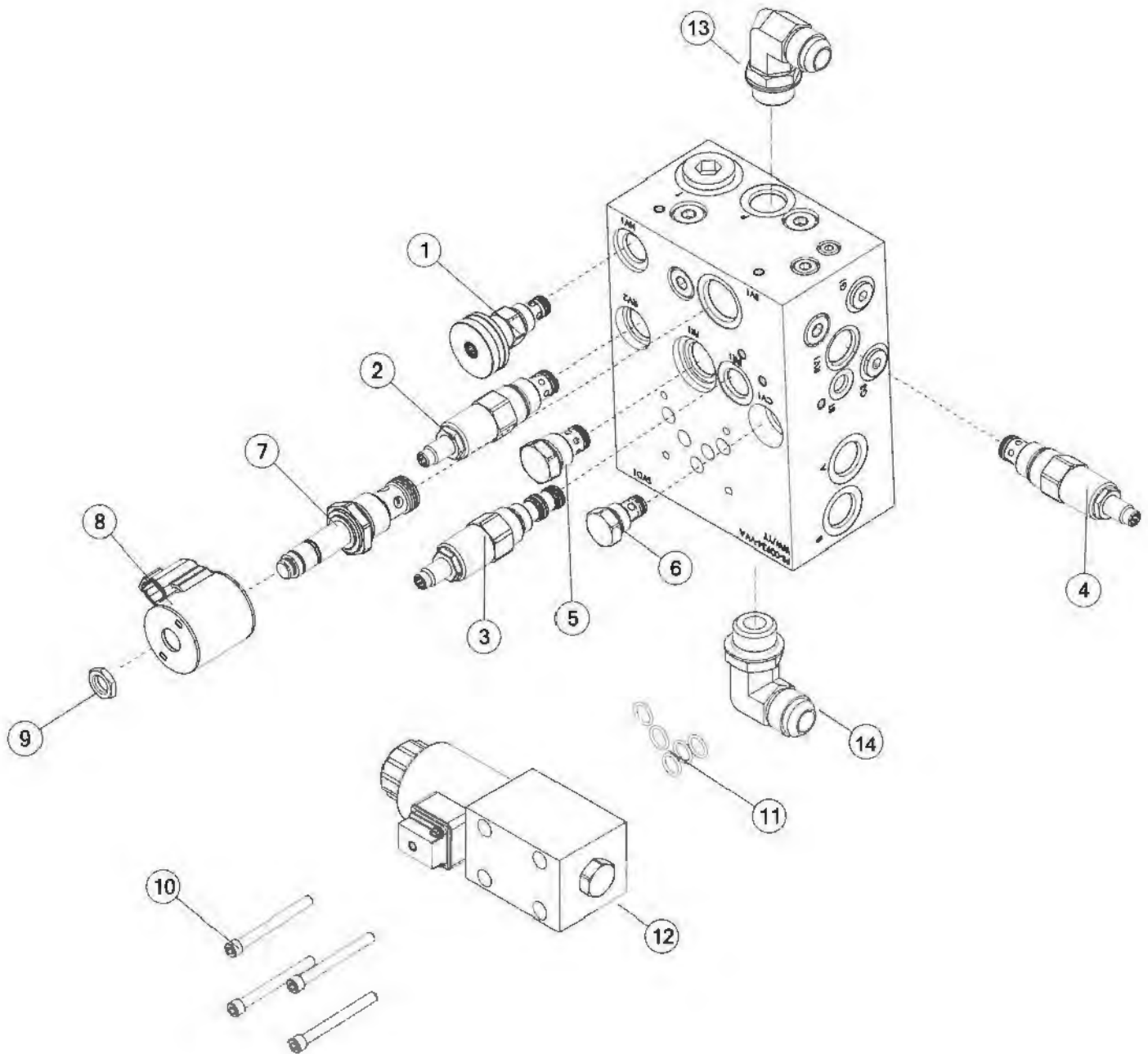




FIGURE 24
PTO 1-3/8 1000 RPM STANDARD

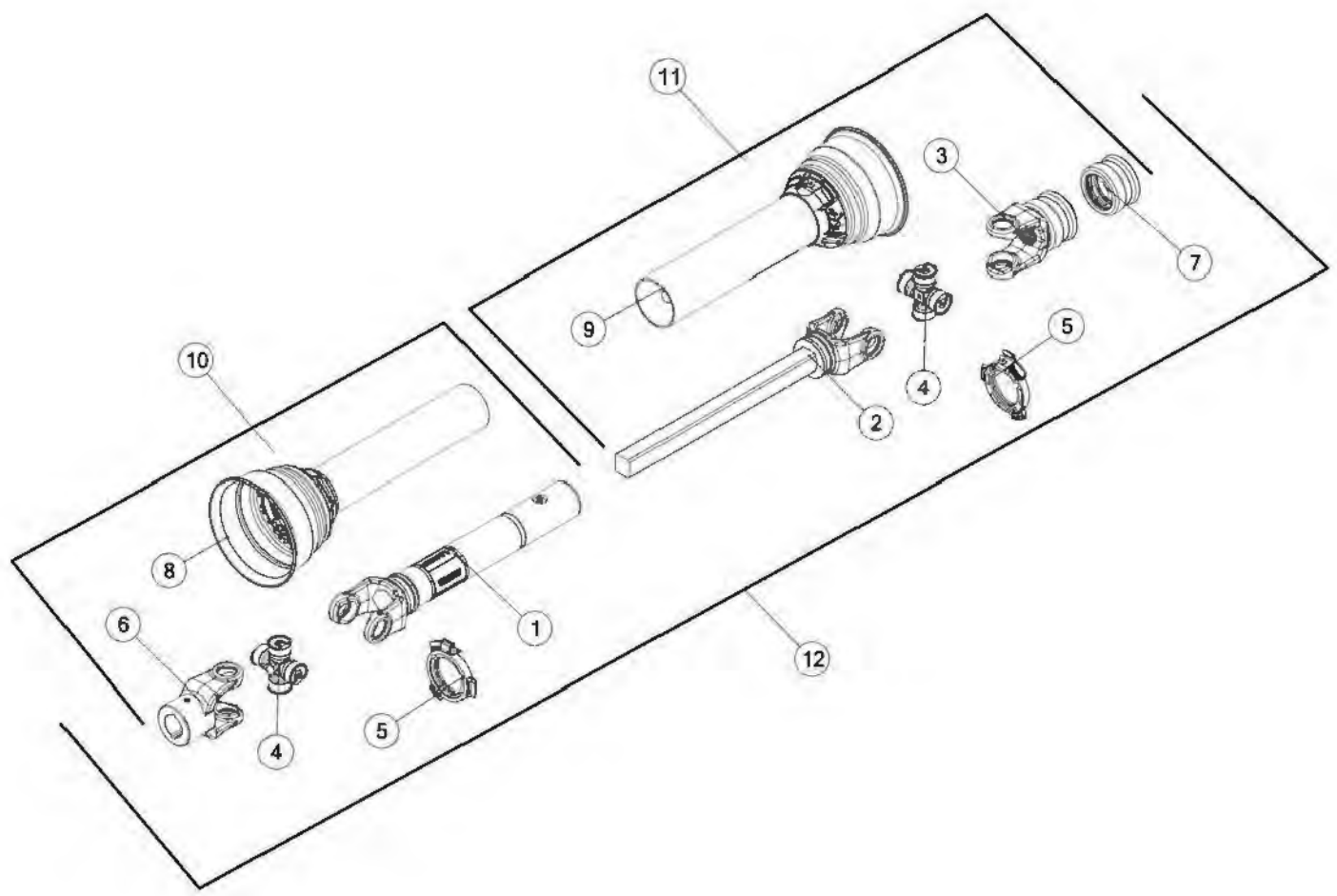




FIGURE 25
PTO 1-3/8 1000 RPM LONG

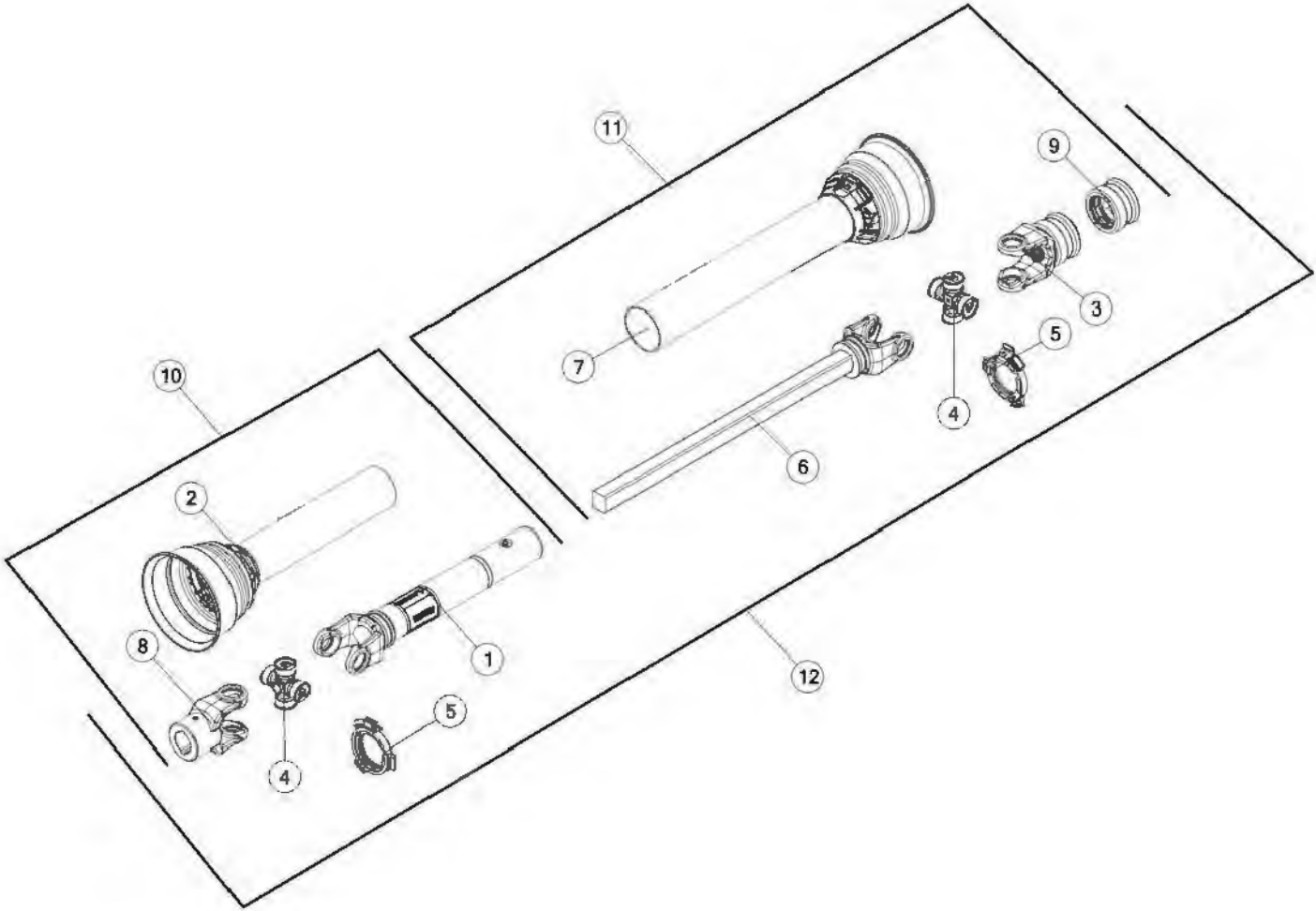




FIGURE 26
PTO 1-3/4 1000 RPM STANDARD

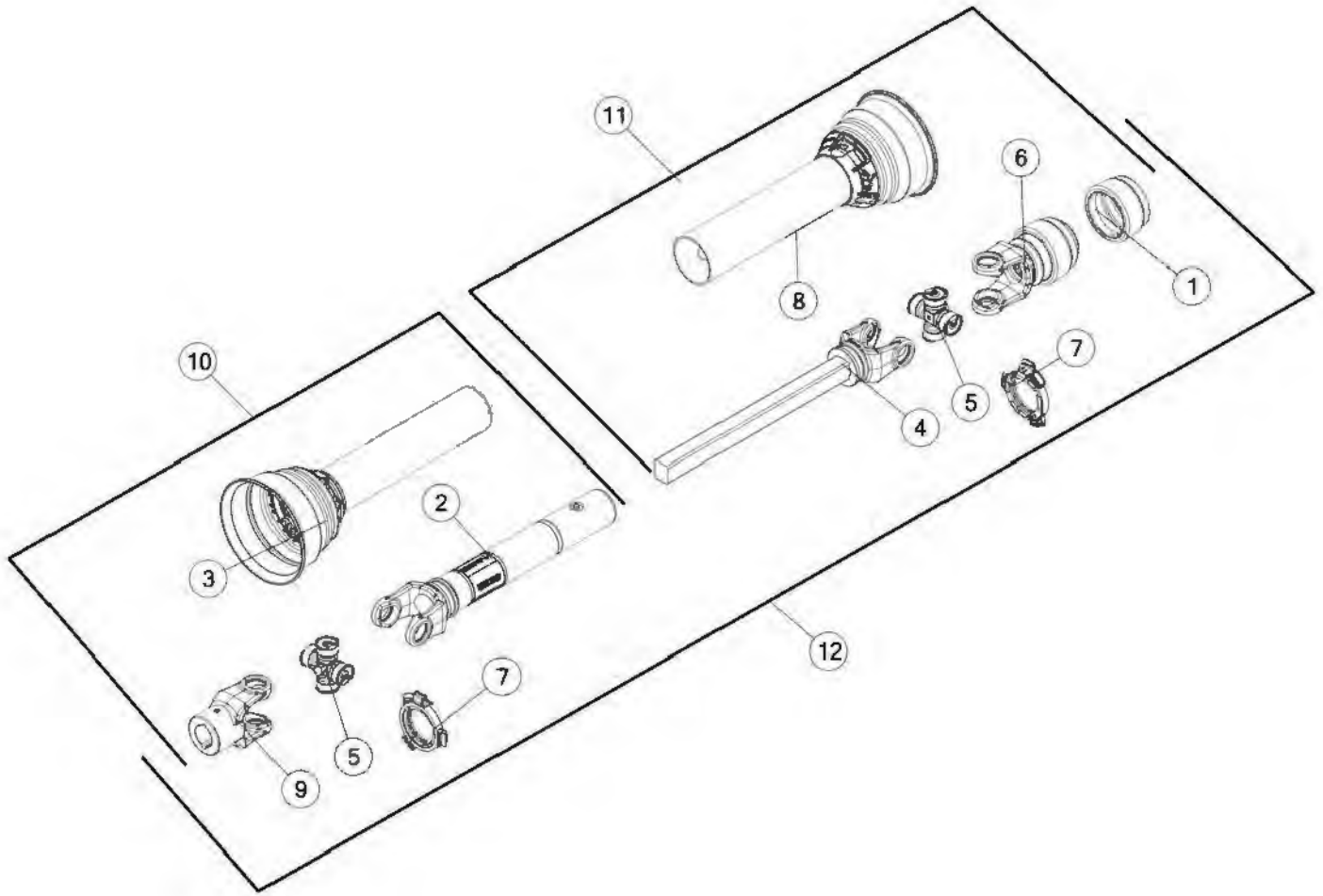
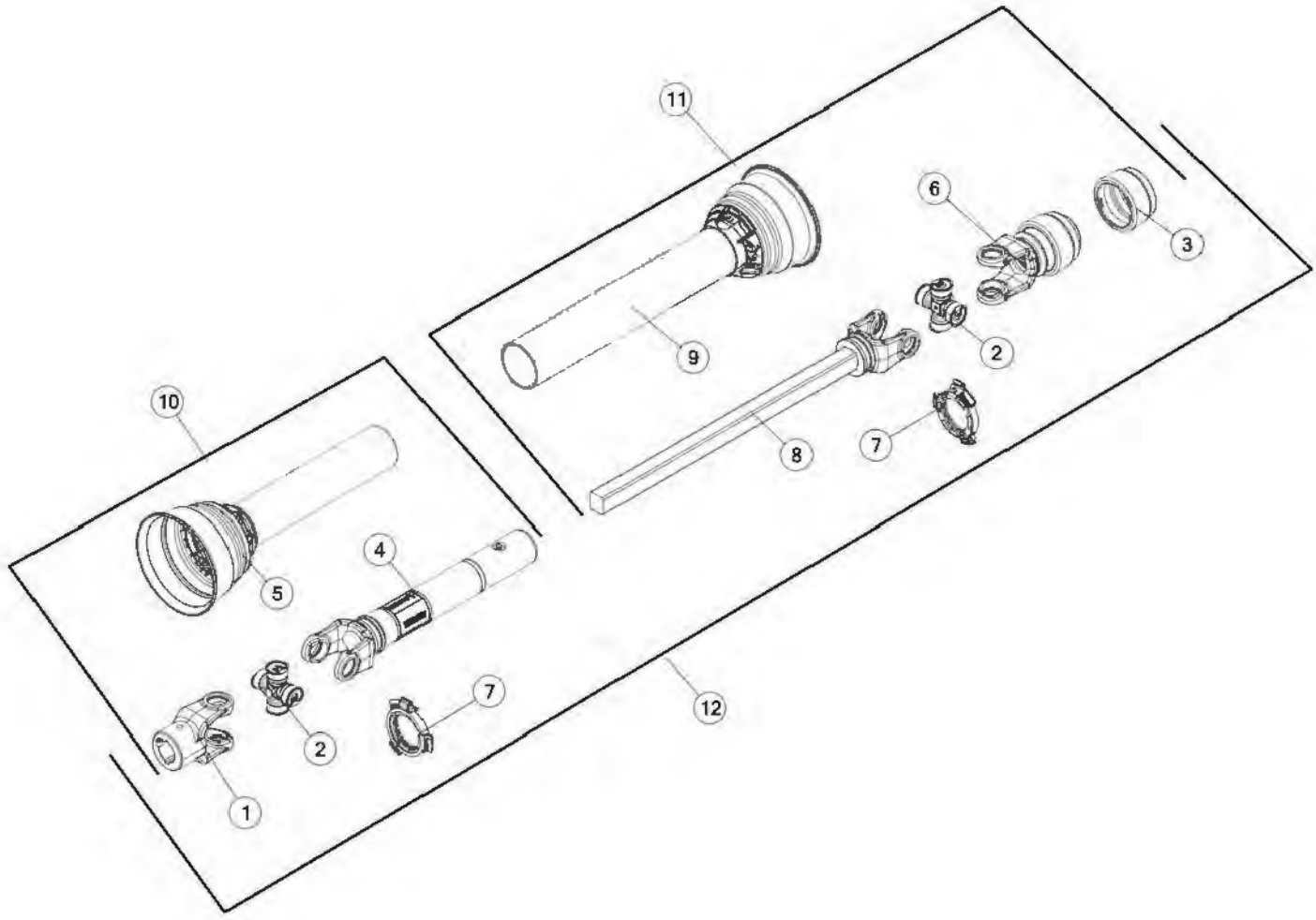




FIGURE 27
PTO 1-3/4 1000 RPM LONG



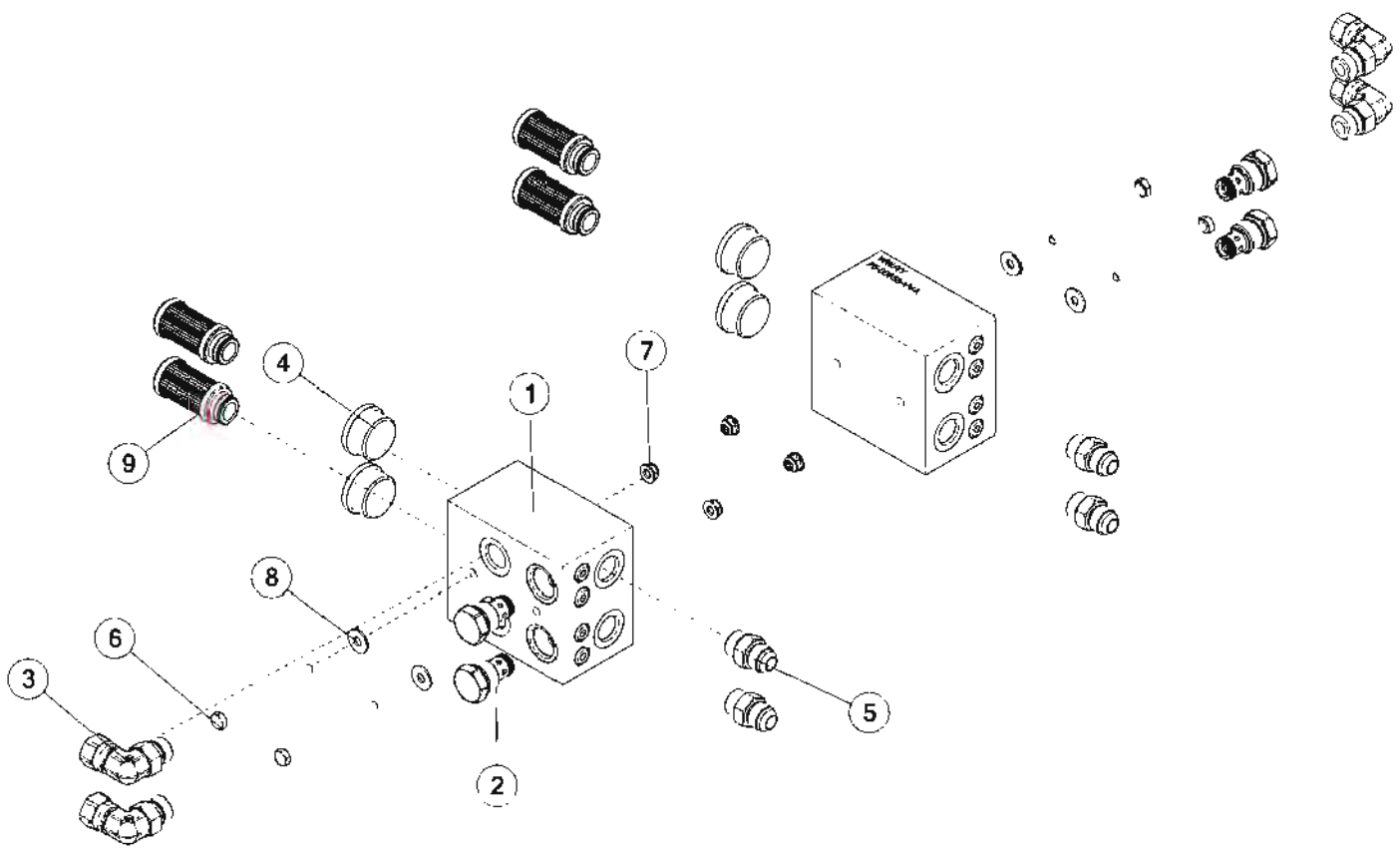




FIGURE 29
DISPLAY MOUNT

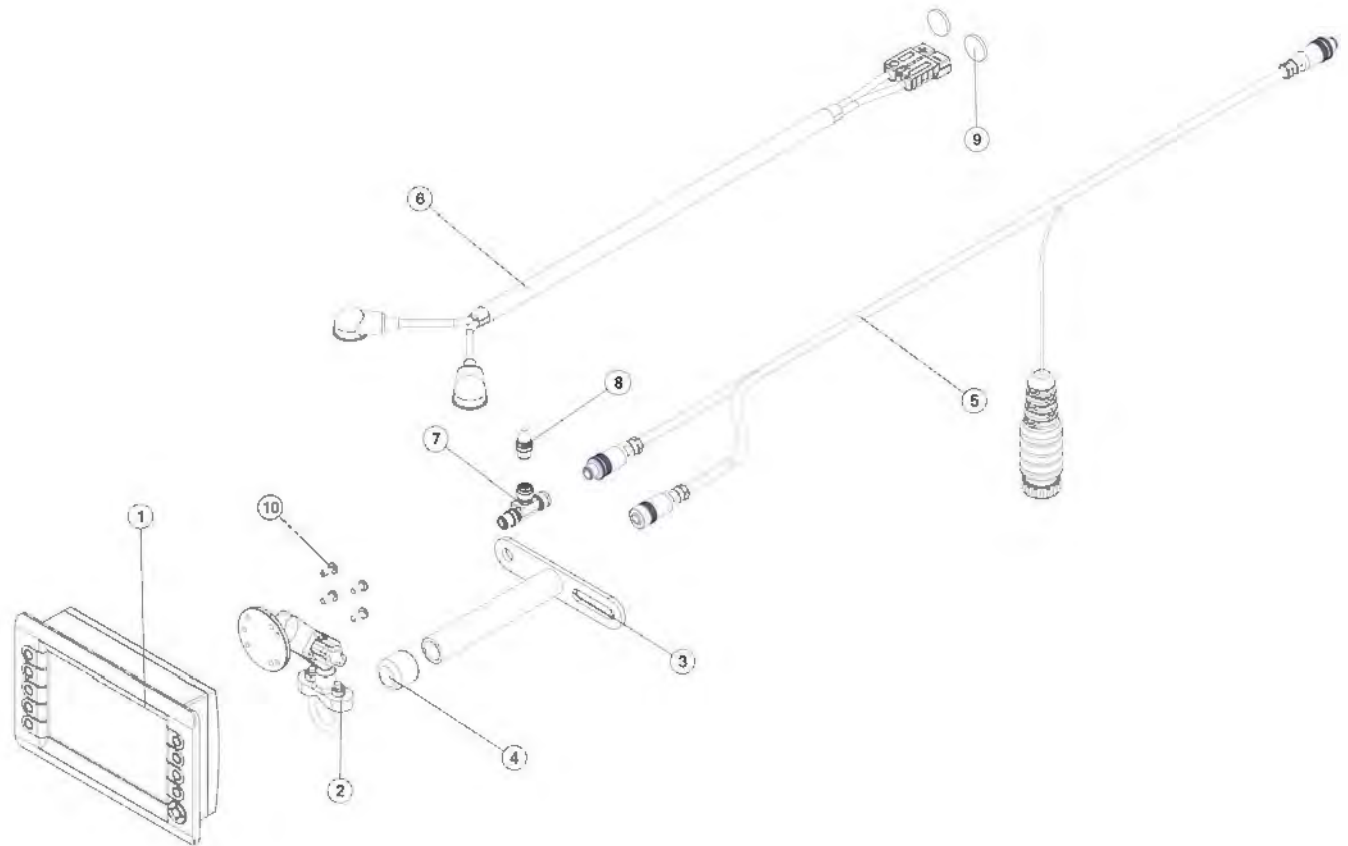




FIGURE 30

LIGHTS

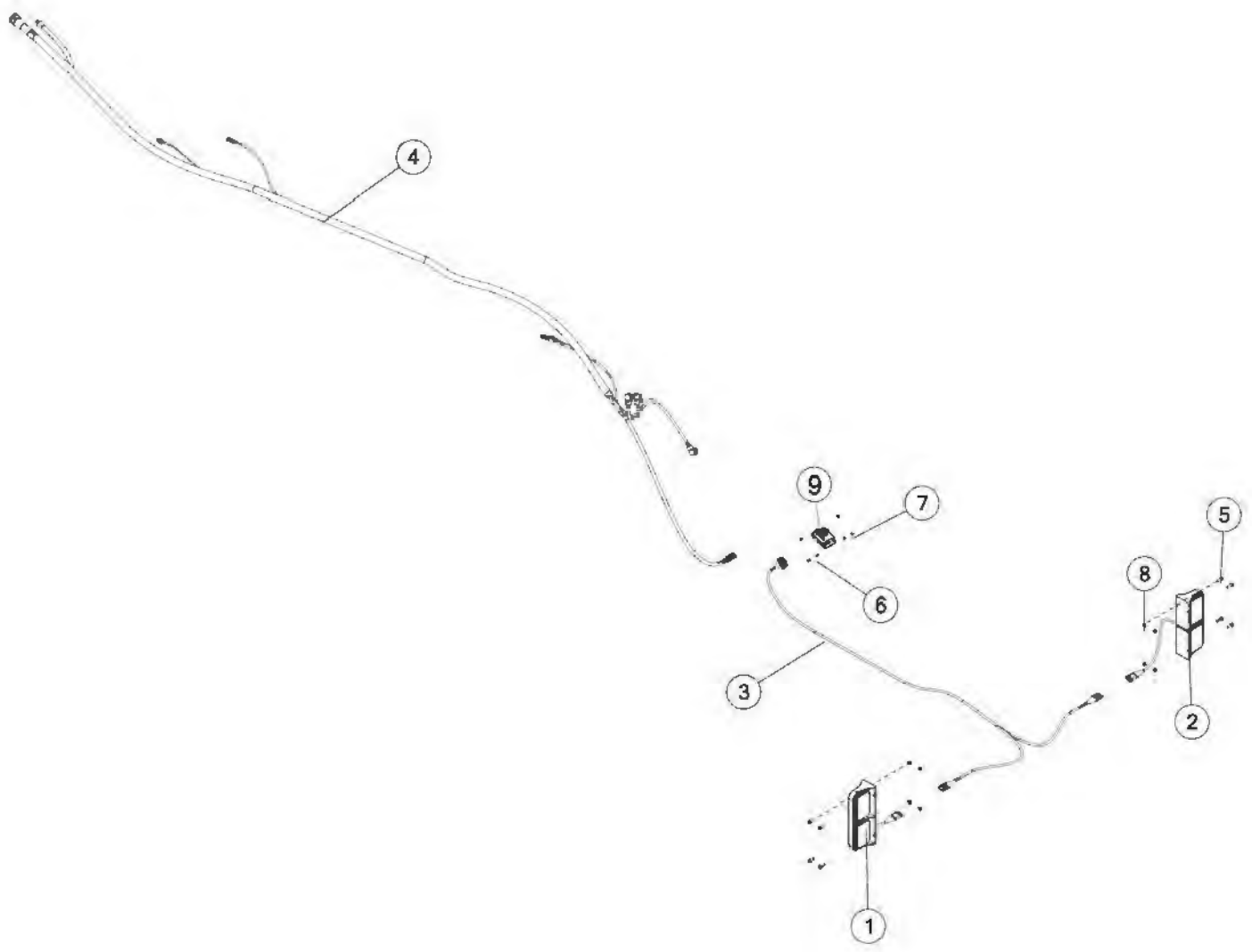




FIGURE 31 ELECTRICAL

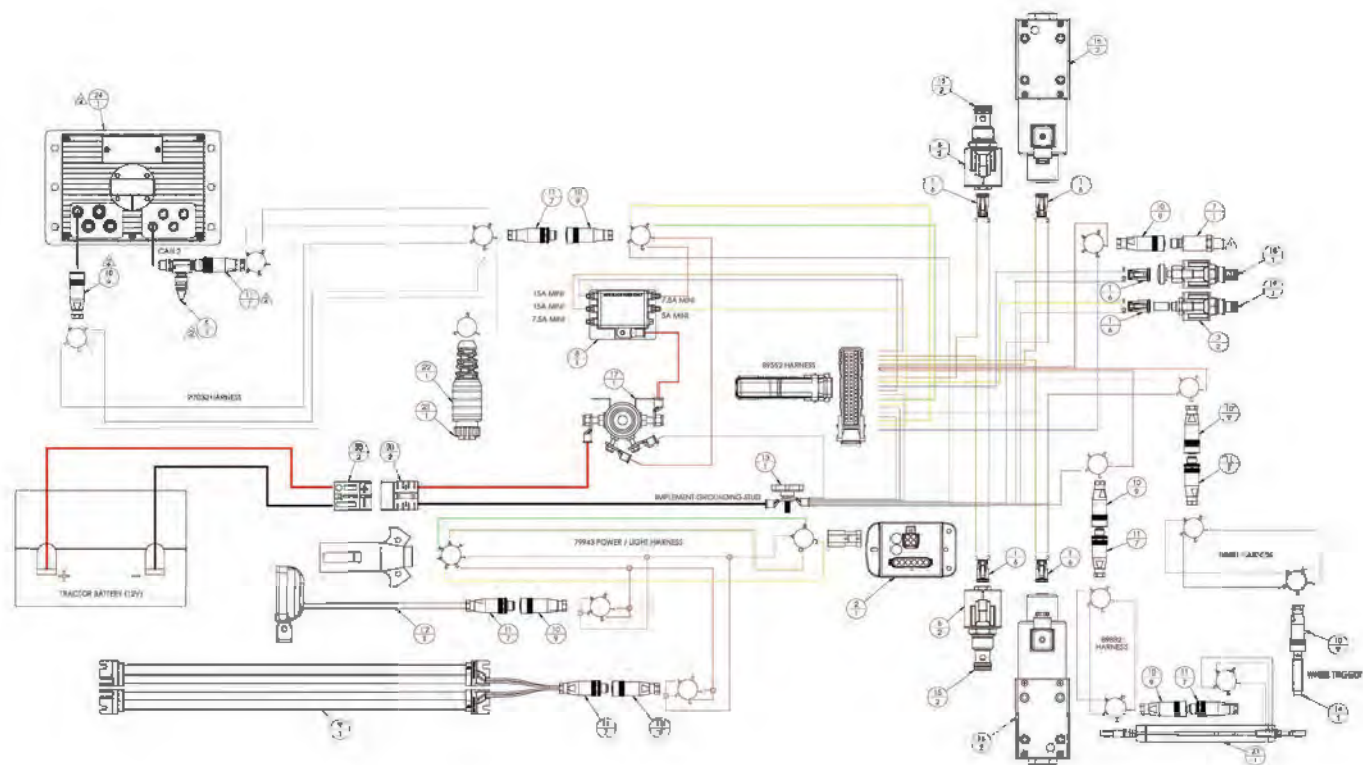




FIGURE 32

OPTIONAL TFOHSS

HYDRAULIC SKID SHOE KIT

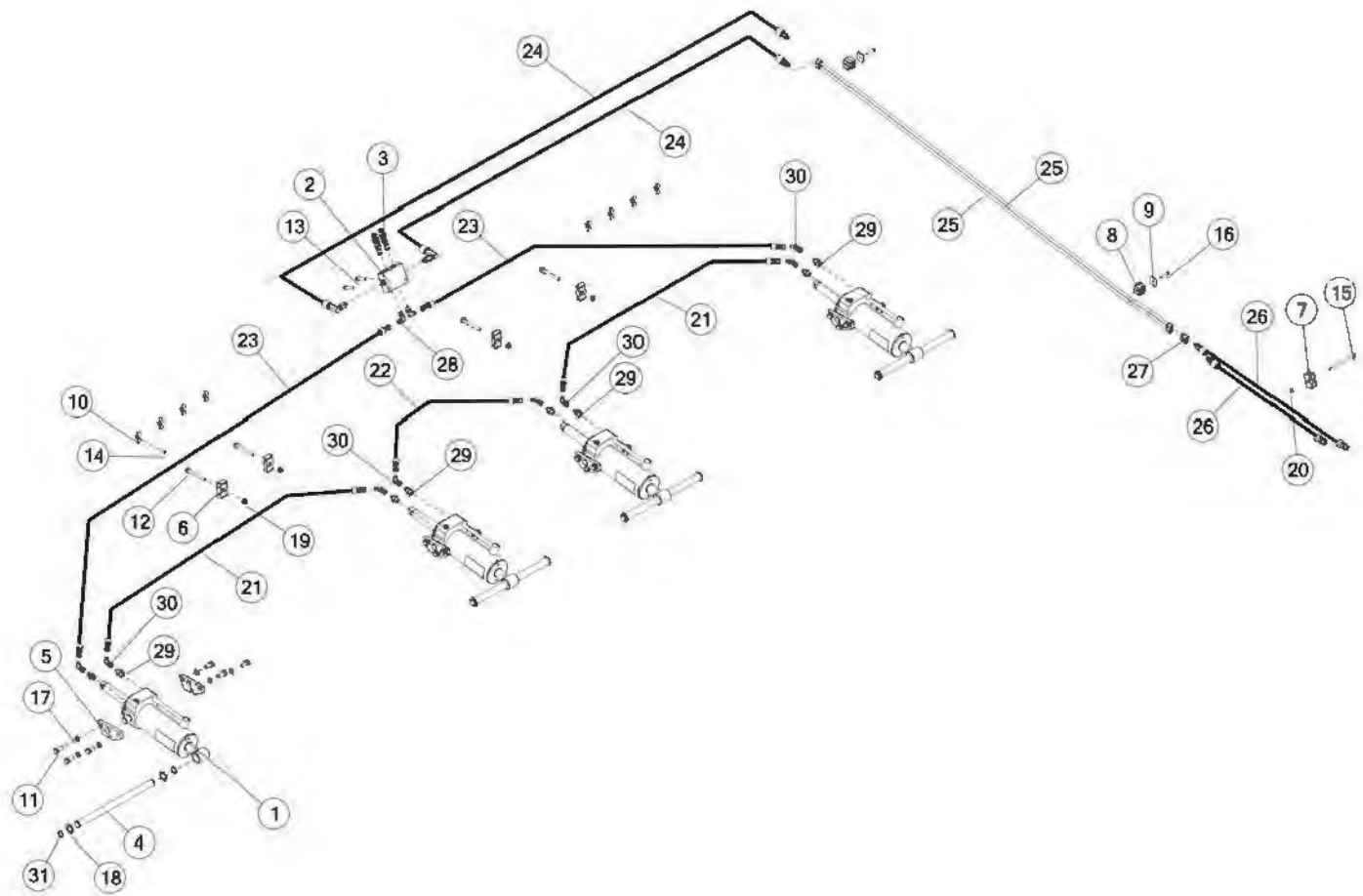




FIGURE 32

OPTIONAL TFOHSS

HYDRAULIC SKID SHOE KIT

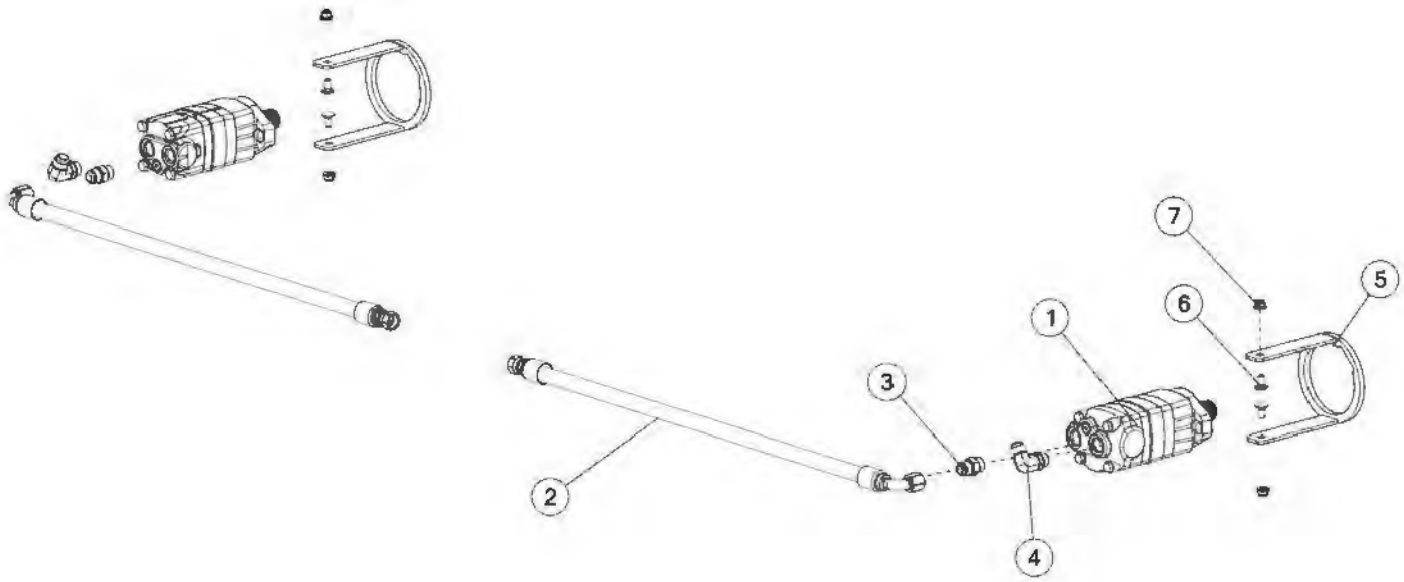
REF #	PART #	DESCRIPTION	QTY
1	90462	HYDRAULIC CYLINDER, 3 1/2 X 6	4
*	90463	SEAL KIT	1
*	90465	PISTON ASSEMBLY	1
*	90466	BAS END SHAFT	1
*	90467	ROD END SHAFT	1
2	85084	HYD MANIFOLD, COUNTERBALANCE	1
3	8656	COUNTERBALANCE VALVE	2
4	71062	PIN, LONG	4
5	57435	TRUNNION PLATE	8
6	86567	DOUBLE CLAMP, UNIVERSAL	4
7	CHM278	TWO LINE CLAMP BLOCK, 3/8	1
8	56597	HOSE CLAMP, DOUBLE, 3/8	2
9	CHM277	T1 HOSE CLAMP COVER	2
10	83739	HOSE CLAMP	8
11	YBHH16010	BOLT HEX, 1/2-13 X 1 G5	24
12	YBFB12350	BOLT FLANGE, 3/8 X 3-1/2 G5	4
13	YBFB10175	BOLT FLANGE, 5/16 X 1-3/4 G5	2
14	YSMP64005	MACHINE PPHS, #10-32 X 1/2 SS	8
15	YBHH08120	BOLT HEX, 1/4 X 5 G5	1
16	CHM276	CLAMP BOLT, 1/4 X 1-3/8	2
17	YWLO16005	WASHER LOCK, 1/2	24
18	YWFL32010	WASHER, FLAT, 1.5 X 1 X .07 ZY	8
19	YNFG12006	NUT FLANGE, 3/8 GF	4
20	YNFG08010	NUT FLANGE, 1/4 GF	1
21	88105	HYDRAULIC HOSE, 4, 190IN	2
22	88104	HYDRAULIC HOSE, 4, 390IN	1
23	88106	HYDRAULIC HOSE, 6, 225IN	2
24	88107	HYDRAULIC HOSE, 6, 86IN	2
25	79239	HYDRAULIC TUBE	2
26	84161	HYDRAULIC HOSE, 6, 92IN	2
27	58142	IN-LINE CONNECTOR, ORIFICE, 6-XHX7-S .031	2
28	CHM268	FITTING 90, 6JIC X 6ORB	2
29	CHM207	FITTING STRAIGHT, 6JIC, 8ORB, STL	8
30	60062	FITTING, SWIVEL NUT ELBOW, 3/8	8
31	3G21	SNAP RING, 1 HEAVY DUTY	8





FIGURE 33

OPTIONAL TFODDCC
DUAL MOTOR







Manufactured By:
H&S MANUFACTURING CO., INC.

2608 S. HUME AVE. MARSHFIELD, WI 54449
(715) 387-3414 | hsmfgco.com

