



PARTS BOOK

TF6132
MERGER

Part #94538
Rev. #02
HSMFG071024

Starting Ser. # 221TF63201



TABLE OF CONTENTS

FIGURE #	CONTENTS	PAGE #
*	INSTRUCTIONS FOR ORDERING PARTS	1
1	ROTARY SENSOR & COMPONENTS	2-3
2	HITCH & COMPONENTS	4-5
3	FRONT POLE & COMPONENTS	6-7
4	FILTER & COMPONENTS	8-9
5	AXLE & COMPONENTS	10-13
6	RIGHT PIVOT ARM & COMPONENTS	14-15
7	LEFT PIVOT ARM & COMPONENTS	16-17
8	RIGHT LIFT ARM & COMPONENTS	18-19
9	LEFT LIFT ARM & COMPONENTS	20-21
10	HYDRAULIC PUMP & COMPONENTS	22-25
11	HYDRAULICS & COMPONENTS	26-27
12	HYDRAULICS & COMPONENTS	28-29
13	ACCUMULATOR & COMPONENTS	30-31
14	STEERING HYDRAULICS & COMPONENTS	32-33
15	MAIN HEAD MANIFOLD & COMPONENTS	34-35
16	STEERING MANIFOLD & COMPONENTS	36-37
17	BELT CONTROL MANIFOLD & COMPONENTS	38-39
18	HYDRAULIC MANIFOLD	40-41
19	LEFT HEAD HYDRAULICS & COMPONENTS	42-45
20	RIGHT HEAD HYDRAULICS & COMPONENTS	46-49
21	LIGHTS & COMPONENTS	50-51
22	ELECTRICAL	52-53
23-24	FUSE BLOCKS, FRONT ISO HARNESS, WIRING HARNESS	54-56
	BLANK PAGE/HEADS	57-58
1	END CAPS & COMPONENTS	59
2	REEL & COMPONENTS	60
3	TINE BARS & COMPONENTS	61
4	GEARBOX ASSEMBLY	62-63
5	ROLLER ASSEMBLY & COMPONENTS	64-65
6	BELT PAN & COMPONENTS	66-67
7	SKID SHOES & COMPONENTS	68-69
8	BELTS & COMPONENTS	70-71
9	DEFLECTOR & COMPONENTS	72
10	HEAD CYLINDER MOUNT & COMPONENTS	73
	BLANK PAGE/PTOS / OPTIONS	74-75
1	1-3/4 1000 RPM PTO LONG (UFO1034LPTO)	76
2	1-3/4 1000 RPM PTO STD (UFO1034PTO)	77
3	1-3/8 1000 RPM LONG (UFO1038LPTO)	78
4	1-3/8 1000 RPM STD (UFO1038PTO)	79
5	OPTIONAL TFOICC - IN CAB DISPLAY	80-81



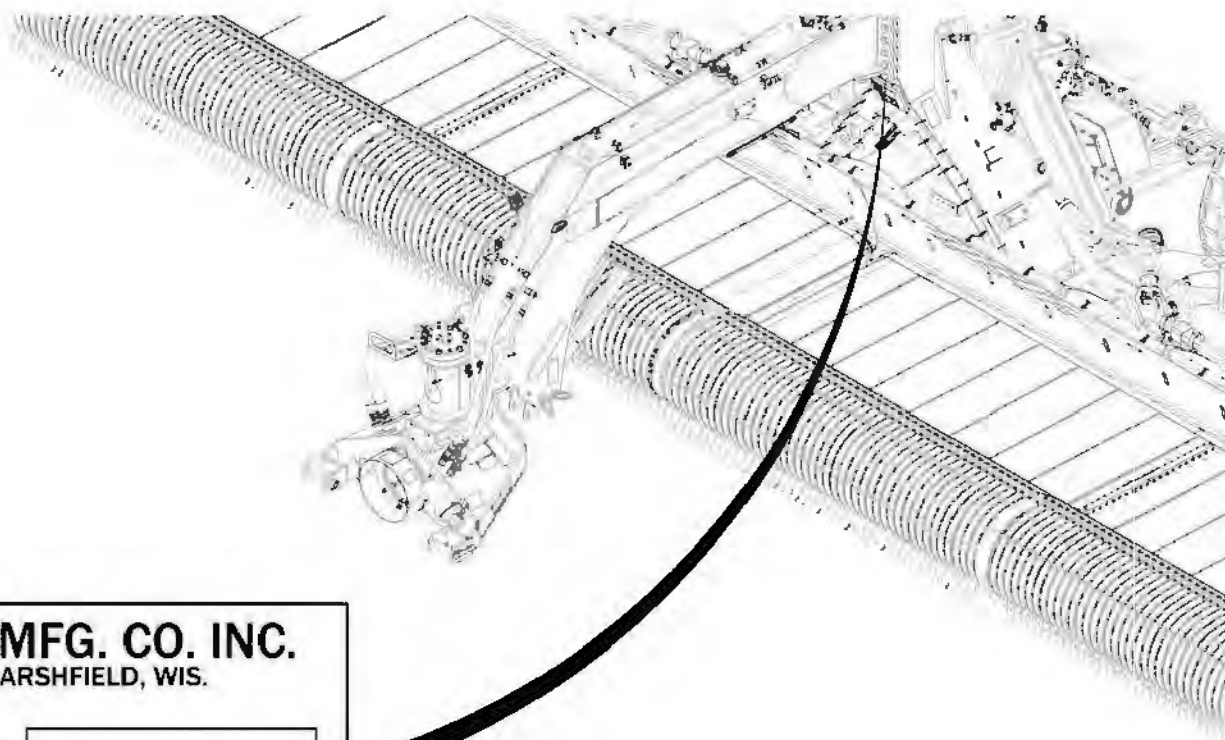
INSTRUCTIONS FOR ORDERING PARTS

All service parts should be ordered through your authorized H&S dealer. Your Dealership will be able to give you faster service if you will provide them with the following:

1. All references to left or right apply to the machine as viewed from the rear.
2. Parts should not be ordered from illustration only. Please order complete part number.
3. If your dealer has to order parts - give shipping instructions:

VIA truck - large pieces (please specify local truck lines)

VIA United Parcel Service (include full address)



H&S MFG. CO. INC. MARSHFIELD, WIS.	
MOD. NO.	<input type="text"/>
SER. NO.	<input type="text"/>
DESCR.	<input type="text"/>

PLEASE RECORD NUMBERS FOR YOUR UNIT FOR QUICK REFERENCE

H&S IS CONTINUALLY STRIVING TO IMPROVE ITS PRODUCTS

We must, therefore, reserve the right to make improvements or changes whenever it becomes practical to do so, without incurring any obligation to make changes or additions to the equipment previously sold.





FIGURE 1

ROTARY SENSOR & COMPONENTS

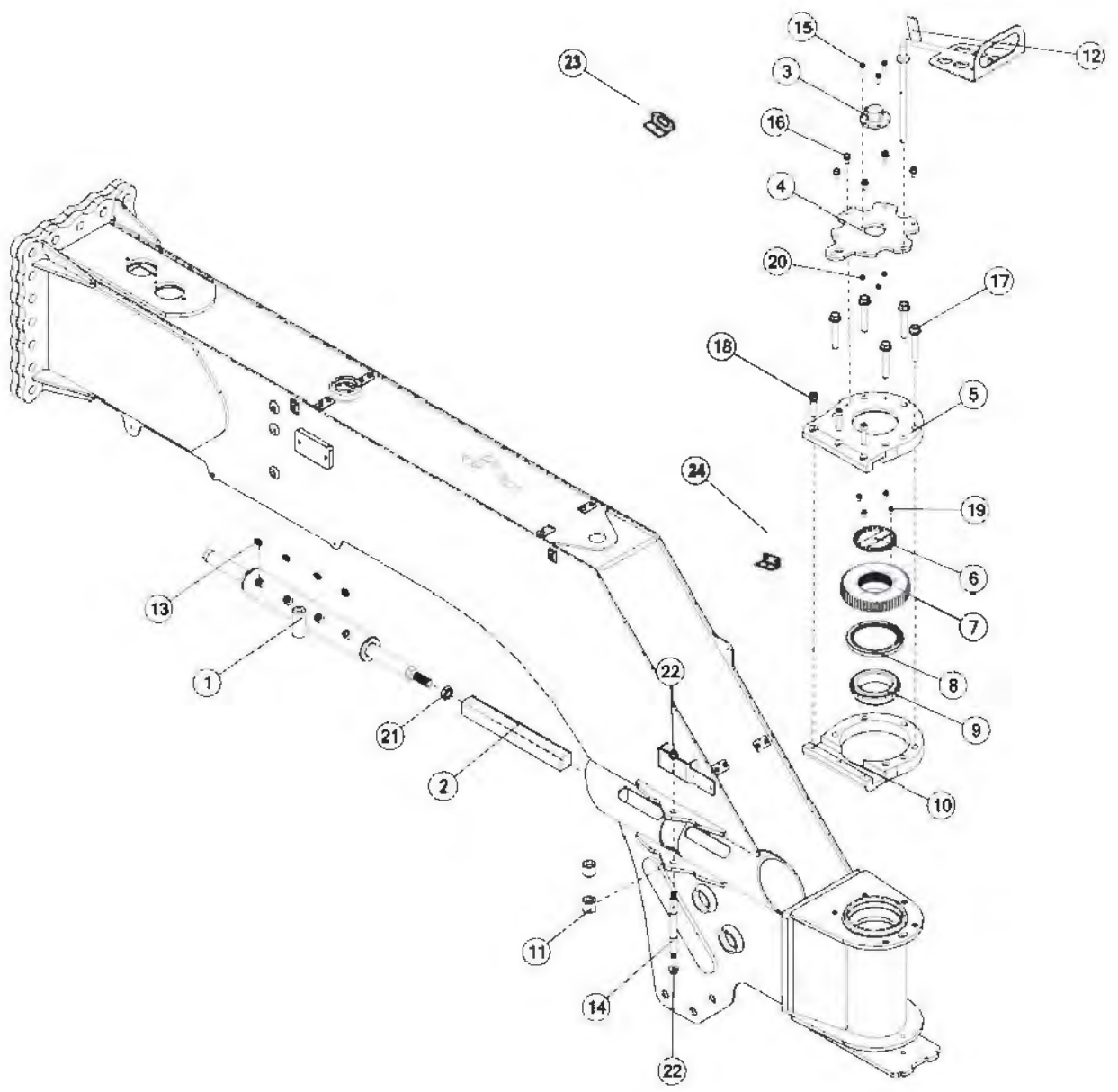




FIGURE 1

ROTARY SENSOR & COMPONENTS

REF #	PART #	DESCRIPTION	QTY
1	93646	MASTER CYLINDER	1
2	91866	RACK	1
3	TFM12	350 ROTARY SENSOR	1
4	91865	SPACER	1
5	92094	GEAR HOUSING	1
6	92128	LOCK COLLAR	1
7	90227	GEAR	1
8	81850	SEAL	1
9	81880	TAPER BEARING, CONE, 4.000	1
10	92088	GEAR HOUSING	1
11	92525	CYLINDER SPACER	2
12	79219	HOSE HOLDER	1
13	58094	FTG,ST,4JIC,4ORB,STL	4
14	92533	SHEAR PIN	1
15	YBFB08100	BOLT FLANGE, 1/4 X 1 G5	3
16	YBFB12075	BOLT FLANGE, 3/8 X 3/4 G5	5
17	YBFB20400	BOLT FLANGE, 5/8 X 4 G5	5
18	YSHS16020	BOLT,SOCKET,1/2-13X2-1/4,BO	3
19	YBFB08005	BOLT FLANGE, 1/4 X 1/2 G5	4
20	YNFG08010	NUT FLANGE, 1/4 GF	3
21	YNJM29005	NUT JAM, 7/8 A	1
22	YNFG16003	NUT FLANGE, 1/2 GF	2
23	HS101915	HARNESS BRACKET	1
24	HS101878	MOUNT	1





FIGURE 2

HITCH & COMPONENTS

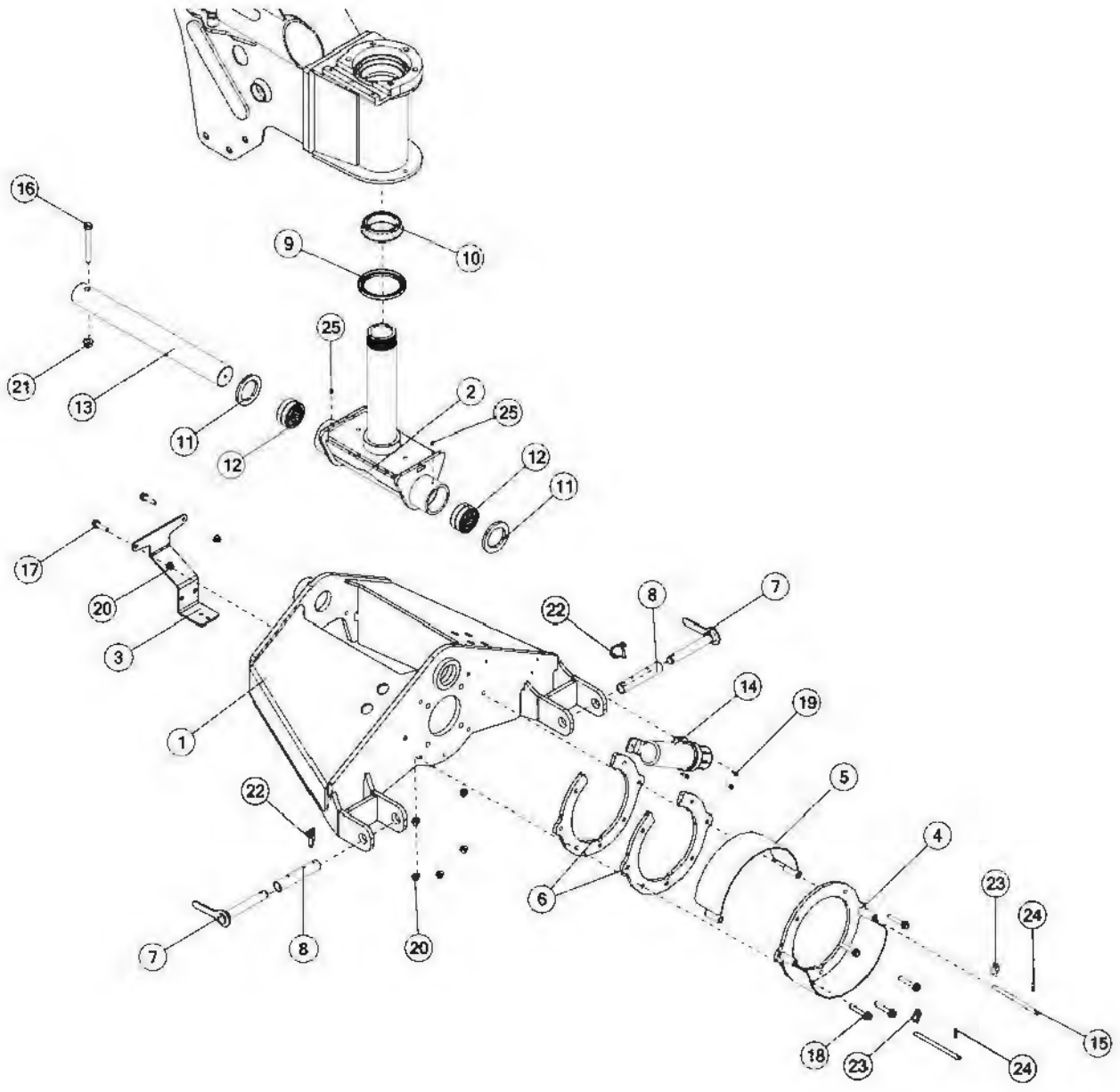




FIGURE 2

HITCH & COMPONENTS

REF #	PART #	DESCRIPTION	QTY
1	91422B	HITCH	1
2	91440	HITCH PIVOT	1
3	96072	BRACKET	1
4	91701	SHIELD, PTO LOWER	1
5	91703B	PTO COVER W/DECALS	1
6	91632	SPACER	2
7	PTMWE65	HITCH PIN	2
8	PTMTU56	CAT 3 ADAPTER TUBE	2
9	81850	SEAL	1
10	81880	TAPER BEARING, CONE, 4	1
11	91558	BRONZE BUSHING, 3 ID X 3/8	2
12	91540	ROLLER NEEDLE BEARING	2
13	91458	PIVOT SHAFT	1
14	S522	MANUAL HOLDER	1
15	91662	SHIELD PIN	2
16	YBHH20096	BOLT HEX, 5/8-11 X 5-1/2 G8 ZC	1
17	YBFB16200	BOLT FLANGE, 1/2 X 2 G5	2
18	YBFB16300	BOLT FLANGE, 1/2 X 3 G5	5
19	YBFB08075	BOLT FLANGE, 1/4 X 3/4 G5	3
20	YNFG16003	NUT FLANGE, 1/2 GF	7
21	YNFG20005	NUT FLANGE, 5/8-11 LKTL F ZC	1
22	DWM324	SNAPPER PIN	2
23	YPLY06010	LYNCH PIN, 3/16 X 1-9/16	2
24	YPEX08010	EXPANSION PIN, 1/4 X 1-1/4	2
25	G89	STRAIGHT ZERK, 1/4-28	2





FIGURE 3

FRONT POLE & COMPONENTS

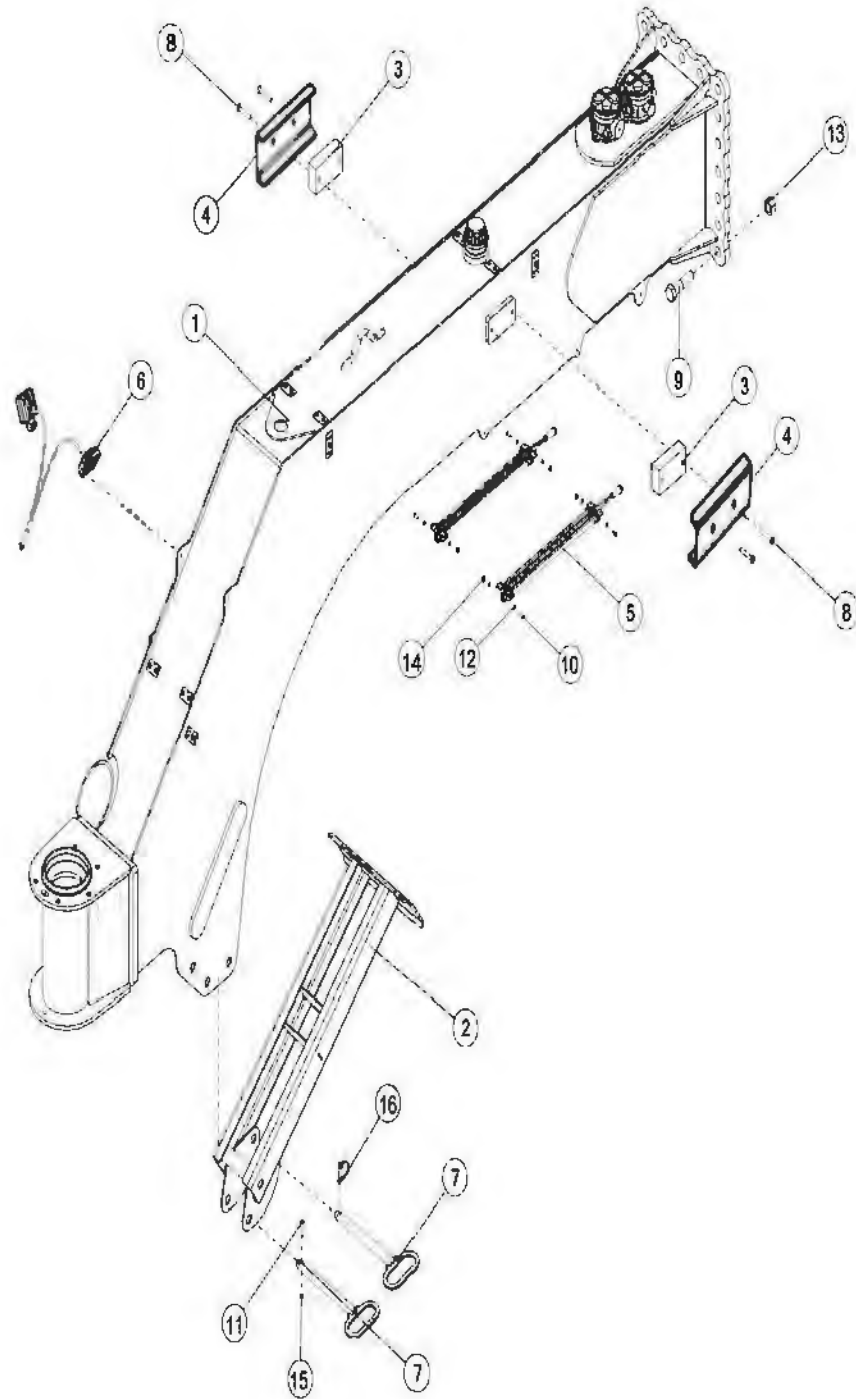




FIGURE 3

FRONT POLE & COMPONENTS

REF #	PART #	DESCRIPTION	QTY
1	91820B	POLE W/DECALS	1
2	79174	JACK STAND	1
3	61076	POLY SPACER FOR UPPER BUMPER	2
4	100143	CHANNEL	2
5	HS101888	WORK LIGHT ASSEMBLY	2
6	HS101920	LIGHT ASSEMBLY	2
7	79180	JACK STAND LOCK PIN	2
8	YSFS12250	BOLT FLAT SOK, 3/8-16 X 2-1/2, ZC	4
9	YBHH32018	BOLT, 1"-8 X 4"RG.8 YELLOW ZINC SAE J429	20
10	YSPN64005	MACHINE PPHS, #10-24 X 5/8 ZINC	4
11	YBHH08035	BOLT, 1/4-20 X 1-1/4 GR 5	1
12	YWFL64005	WASHER, FLAT, STAINLESS STEEL, 1/-8 #10 USS	8
13	YNTL32005	NUT, HEX, 1-8, LKTL, C, ZC	20
14	YNNY64005	NUT, HEX, #10-24, LKNY, G2, ZC	4
15	YNRL08005	NUT, HEX, 1/4-20, LKRS, A, ZC	4
16	DWM324	SNAPPER PIN	1





FIGURE 4

FILTER & COMPONENTS

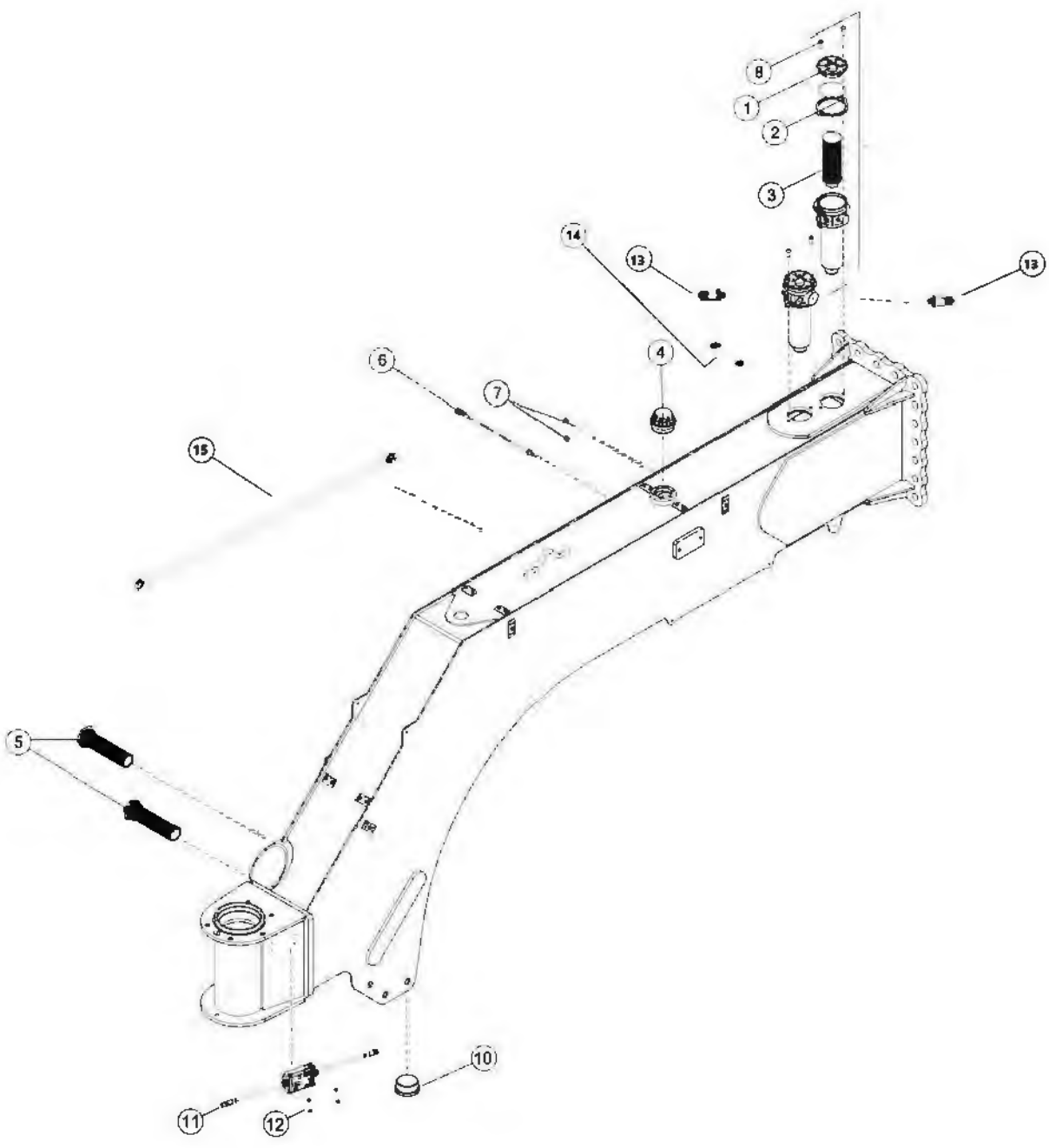




FIGURE 4
FILTER & COMPONENTS

REF #	PART #	DESCRIPTION	QTY
1	78776	FILTER HOUSING CAP	2
2	78779	SEAL KIT, TANK FILTER	2
3	77420	OIL FILTER, 30 GPM, 6 MICRON	2
4	96107	FILLER CAP, 5PSI	1
5	79035	SCAVANGE FILTER	2
6	77255	ELEC, SENSOR, TEMP, -40/300°F	1
7	SD270	FITTING, PLUG, 6ORB	2
8	YSBS12005	BUTTON HEAD SOCKET CAP SCREW, 3/8-16 X 1	4
9	76187	TANK FILTER ASSEMBLY	2
10	79276	FITTING, PLUG	1
11	93072	ISOBUS MODULE	1
12	YSPN64005	MACHINE PPHS, #10-24 X 5/8	4
13	HS101170	PRESSURE SENSOR, 0-500PSI	2
14	79732	FITTING ST, 7/8 ORB, 3/4 ORB	2
15	HS102929	TEMP SENSOR JUMPER HARNESS	1





FIGURE 5 AXLE COMPONENTS

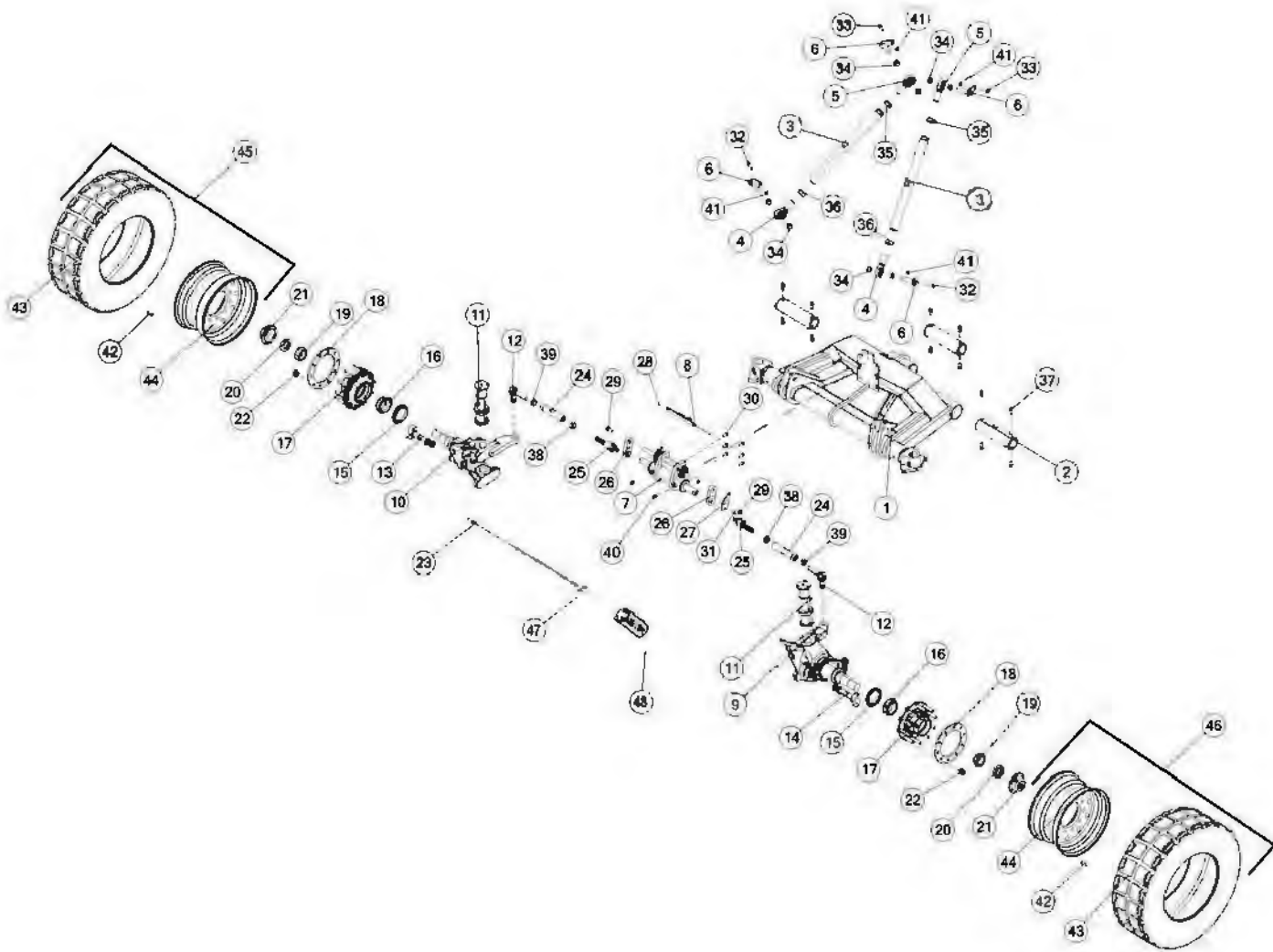




FIGURE 5

AXLE COMPONENTS

REF #	PART #	DESCRIPTION	QTY
1	95101B	AXLE WELDMENT	1
2	95208	AXLE SPINDLE	3
3	94617	STRUT ROD	2
4	TFM70	ROD END	2
5	79466	ROD END, LH	2
6	95265	AXLE PIN	4
7	92660	HYDRAULIC CYLINDER	1
*	56187	SEAL KIT	1
8	HS102088	POSITION SENSOR	1
9	97813B	KNUCKLE WELDMENT	1
10	97798B	KNUCKLE WELDMENT	1
11	97800	KINGPIN	2
12	91513	BALL JOINT, LH THREAD	2
13	97799	BRAKE CAM	1
14	97814	BRAKE CAM	1
15	97808	SEAL	2
16	97804	BEARING	2
17	97810	WHEEL HUB	2
18	97806	WHEEL SPACER	2
19	97805	BEARING	2
20	97801	SPINDLE NUT	2
21	97809	DUST CAP	2
22	97807	LUG NUT	20
23	HS101795	WHEEL TRIGGER	1
24	94614	TIE ROD	2
25	91164	BALL COUPLER	2
26	92455	CONNECTOR PLATE	2
27	95272	MOUNT	1
28	YBHH71008	BOLT, HEX, M5-0.8 X 12, ZC	1
29	YBFB20150	BOLT FLANGE, 5/8 X 1-1/2 G5	2
30	YBFB16125	BOLT FLANGE, 1/2 X 1-1/4 G5	6
31	YBFB12003	BOLT FLANGE, 3/8 X 1 G5	1
32	YBFB16225	BOLT FLANGE, 1/2 X 2-1/4 G5	2
33	YBFB16200	BOLT FLANGE, 1/2 X 2 G5	2
34	79149	MISSALIGNMENT SPACER	8
35	YNJM40006	NUT JAM, 1-1/2 G5, LH	2





FIGURE 5

AXLE & COMPONENTS

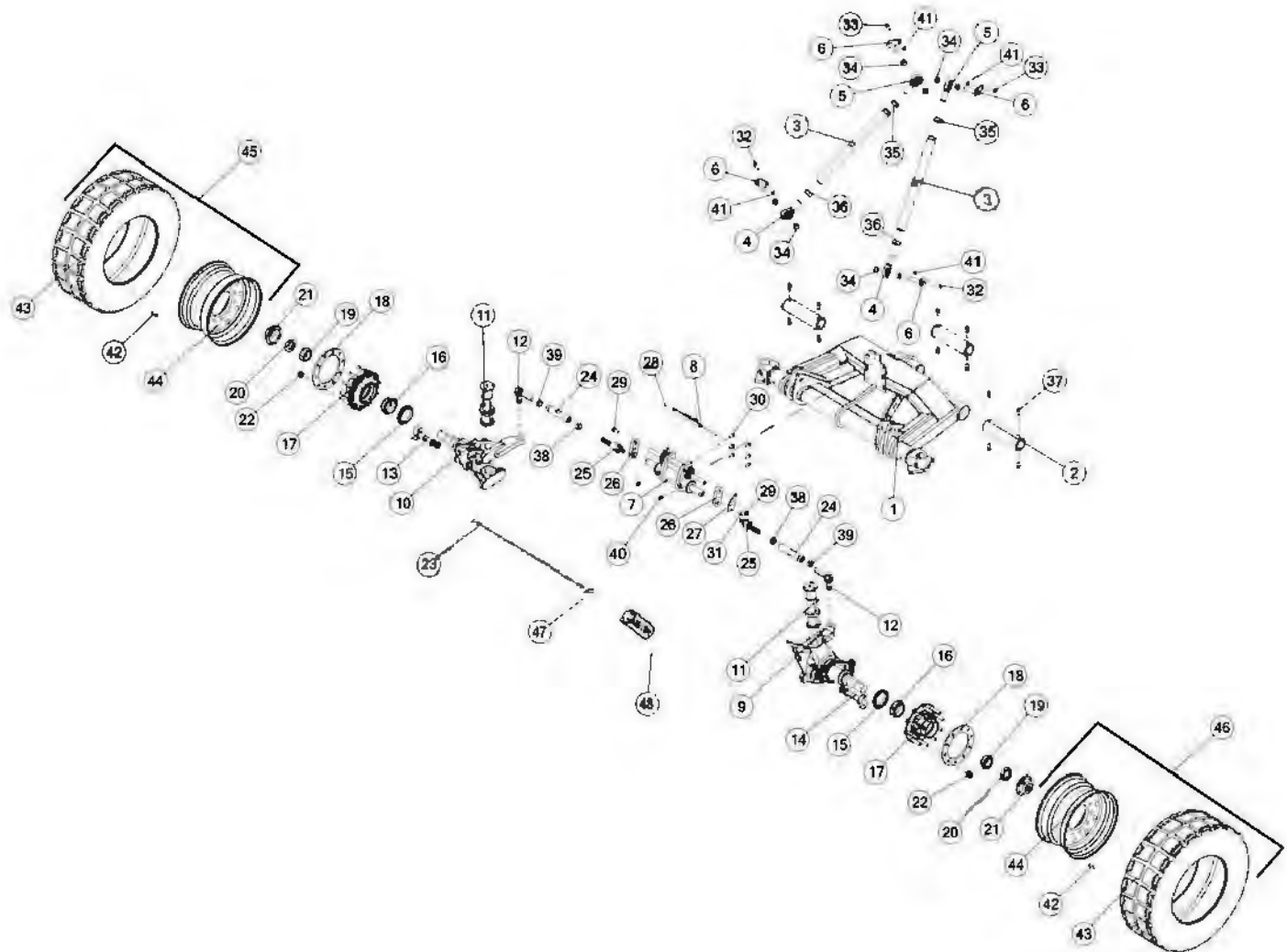




FIGURE 6

RIGHT PIVOT ARM & COMPONENTS

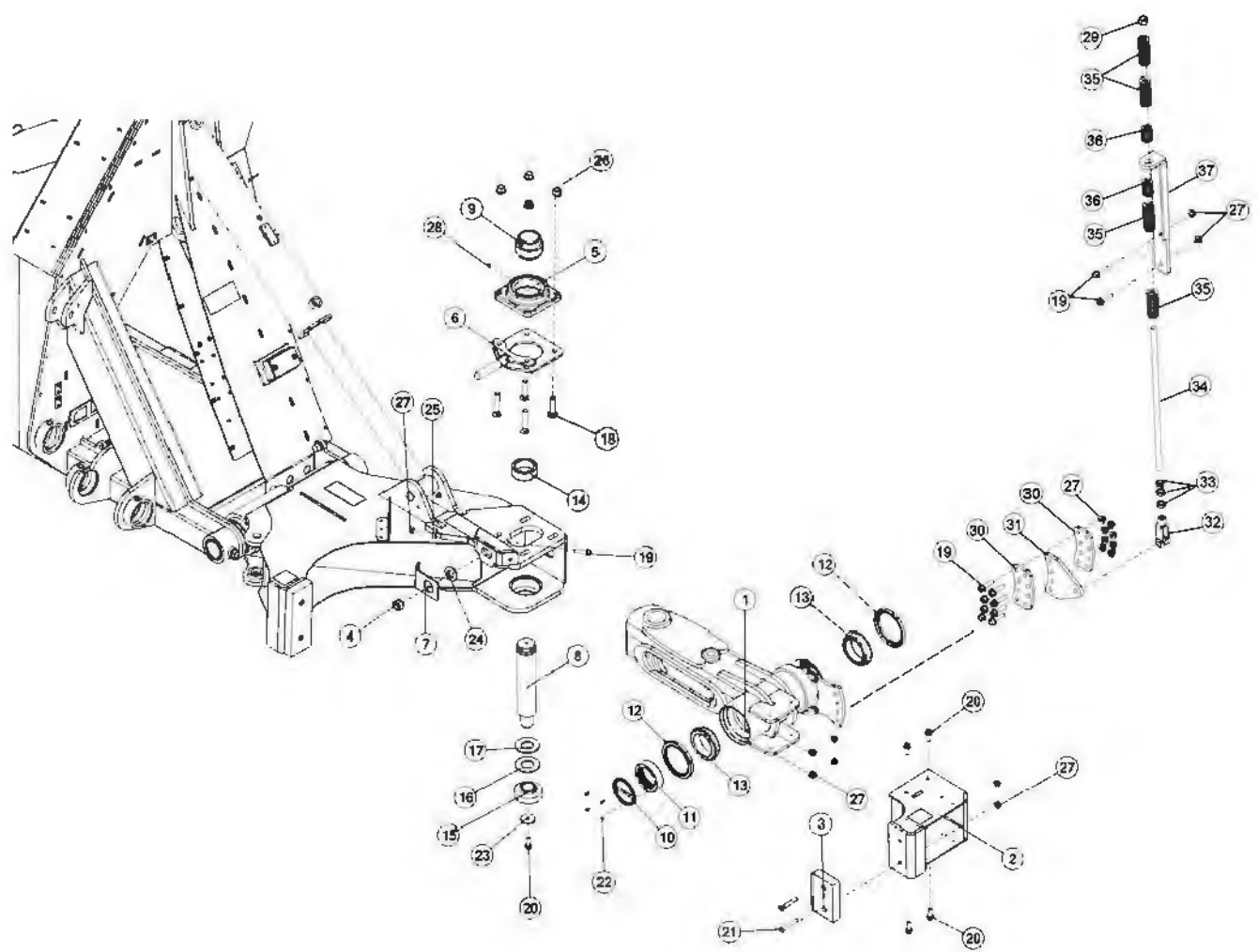




FIGURE 6

RIGHT PIVOT ARM & COMPONENTS

REF #	PART #	DESCRIPTION	QTY
1	94513	PIVOT ARM	1
2	95812B	STOP BRACKET	1
3	61077	POLY BUMPER	1
4	YNHX36005	NUT, HEX, 1-1/4 -12	1
5	1091	PITCH ADJUSTMENT BEARING	1
6	92698	TAKE UP BRACKET	1
7	92295	LOCK BRACKET	1
8	92288	PIVOT PIN	1
9	TFM54	UPPER BEARING	1
10	83819	LOCK COLLAR	1
11	83818	SPINDLE NUT	2
12	81850	SEAL	2
13	81880	TAPER BEARING, CONE, 4.000	1
14	92459	FOLD THRUST BUSHING	1
15	TFM99	PITCH ROD BALL 2.00 DIA. PIN	1
16	PTM3G75	PIN THRUST WASHER	1
17	PTMMS57	PIN THRUST WASHER BRONZE	4
18	YBCR24004	BOLT, CARR, 3/4-10 X 3-1/4, GR5, ZC	1
19	YBFB16200	BOLT FLANGE, 1/2 X 2 G5	11
20	YBFB16150	BOLT FLANGE, 1/2 X 1-1/2 G5	2
21	YSFS16055	BOLT,FLAT SOK,1/2-13X3-1/2,BO	4
22	YSBS08005	BUTTON HEAD SOCKET CAP SCREW, 1/4-20 X 1/2	1
23	PTM3G42	PIVOT THRUST WASHER	1
24	PTM3G83	PITCH THRUST WASHER	1
25	95301	SPACER	4
26	YNFG24006	NUT, FLANGE, 3/4-10, LKTL, G, ZC	17
27	YNFG16003	NUT FLANGE, 1/2 GF	1
28	BFR28	1/8" NPT GREASE ZERK	1
29	YNNY24003	NUT, HEX, 3/4-10, LKNY, G2, ZC	1
30	HS101693	GUSSET	2
31	HS101692	ROTOR PLATE	1
32	99911	CLEVIS	1
33	YNJM24010	NUT JAM, 3/4 G2	3
34	99883	THREADED ROD	1
35	BBS35	COMPRESSION SPRING	4
36	HS101588	DIE SPRING	2
37	HS101311	RT SPRING BRACKET	1





FIGURE 7

LEFT PIVOT ARM & COMPONENTS

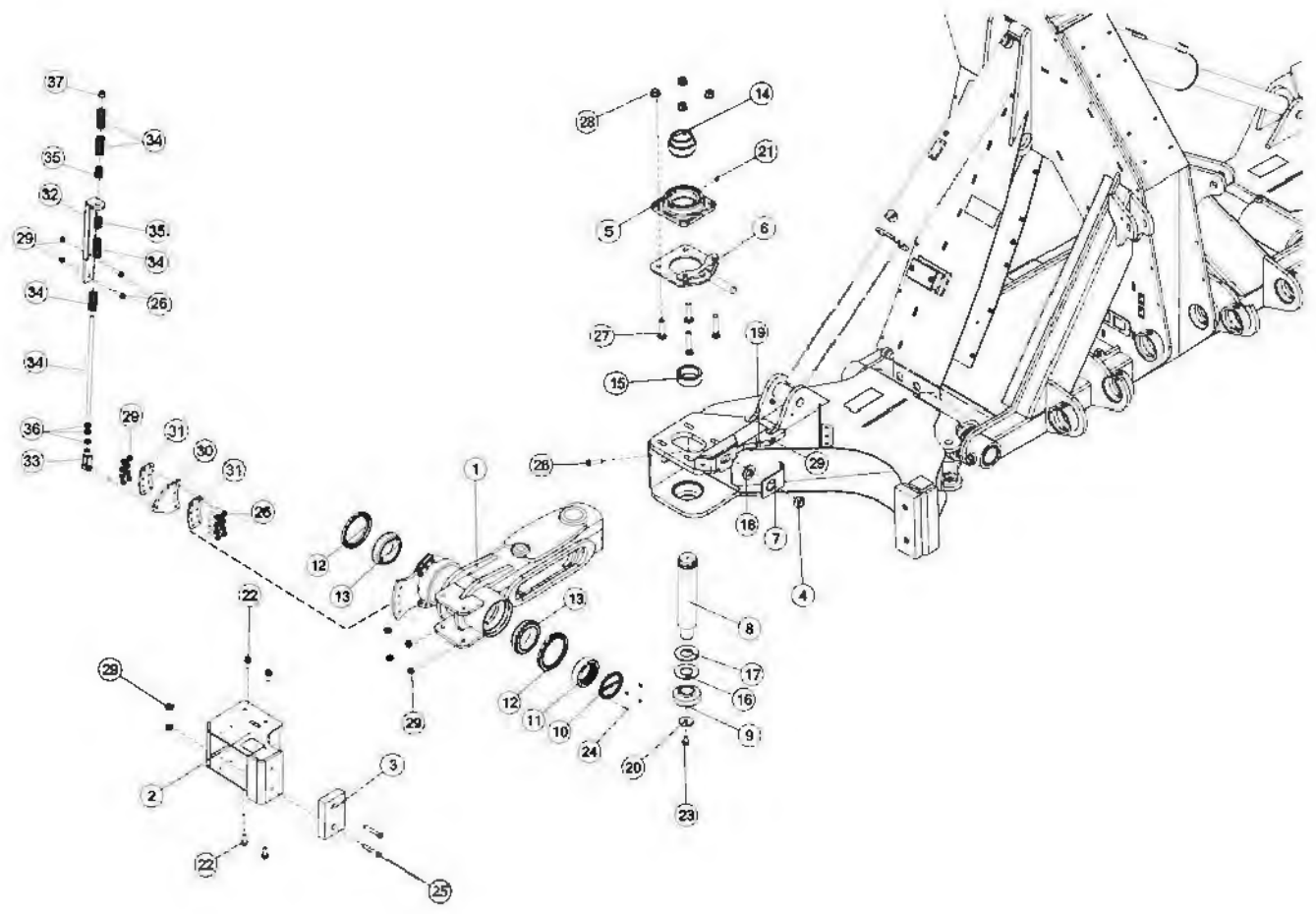




FIGURE 7

LEFT PIVOT ARM & COMPONENTS

REF #	PART #	DESCRIPTION	QTY
1	94513	PIVOT ARM	1
2	95812B	STOP BRACKET	1
3	61077	POLY BUMPER	1
4	YNHX36005	NUT, HEX, 1-1/4 -12	1
5	1091	PITCH ADJUSTMENT BEARING	1
6	92698	TAKE UP BRACKET	1
7	92295	LOCK BRACKET	1
8	92288	PIVOT PIN	1
9	TFM99	PITCH ROD BALL 2.00 DIA. PIN	1
10	83819	LOCK COLLAR	1
11	83818	SPINDLE NUT	1
12	81850	SEAL	2
13	81880	TAPER BEARING, CONE, 4.000	2
14	TFM54	UPPER BEARING	1
15	92459	FOLD THRUST BUSHING	1
16	PTM3G75	PIN THRUST WASHER	1
17	PTMMS57	PIN THRUST WASHER BRONZE	1
18	PTM3G83	PITCH THRUST WASHER	1
19	95301	SPACER	1
20	PTM3G42	PIVOT THRUST WASHER	1
21	BFR28	GREASE ZERK, 1/8 NPT	1
22	YBFB16150	BOLT FLANGE, 1/2 X 1-1/2 G5	4
23	YBFB16100	BOLT FLANGE, 1/2 X 1 G5	1
24	YSBS08005	BUTTON HEAD SOCKET CAP SCREW, 1/4-20 X 1/2	4
25	YSFS16055	BOLT,FLAT SOK,1/2-13X3-1/2,BO	2
26	YBFB16200	BOLT FLANGE, 1/2 X 2 G5	11
27	YBCR24004	BOLT, CARR, 3/4-10 X 3-1/4, GR5, ZC	4
28	YNFG24006	NUT, FLANGE, 3/4-10, LKTL, G, ZC	4
29	YNFG16003	NUT FLANGE, 1/2 GF	17
30	HS101692	ROTOR PLATE	1
31	HS101693	GUSSET	1
32	99970	LT SPRING BRACKET	1
33	99911	CLEVIS	1
34	BBS35	COMPRESSION SPRING	4
35	HS101588	DIE SPRING	2
36	YNJM24010	NUT JAM, 3/4 G2	3
37	YNNY24003	NUT, HEX, 3/4-10, LKNY, G2, ZC	1





FIGURE 8

RIGHT LIFT ARM & COMPONENTS

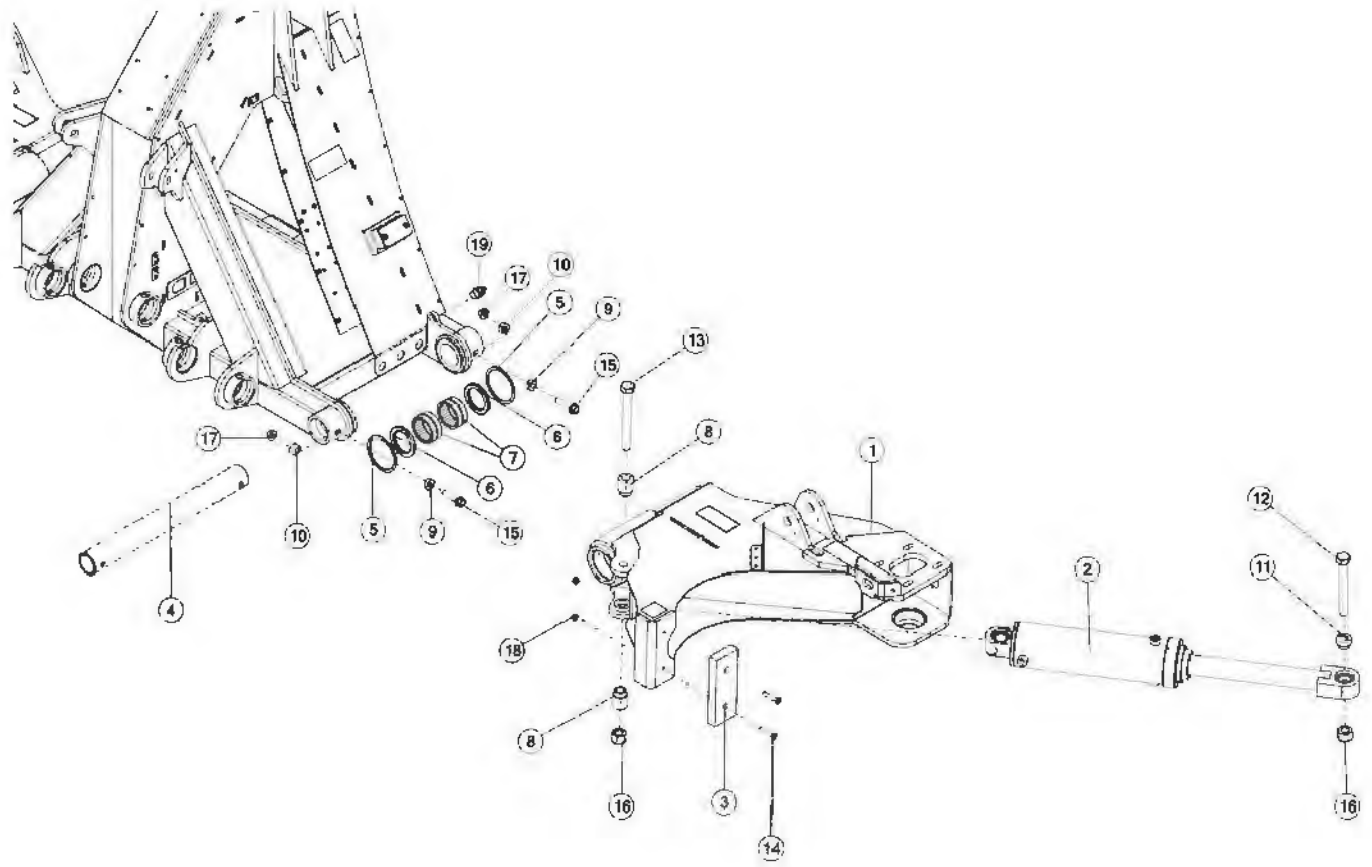




FIGURE 8

RIGHT LIFT ARM & COMPONENTS

REF #	PART #	DESCRIPTION	QTY
1	91799B	LIFT ARM W/DECALS	1
2	HS101465	HYDRAULIC CYLINDER, REPHASE 6 X 15	1
*	91920	SEAL KIT	1
3	92305	POLY BUMPER	1
4	95176	PIVOT SHAFT	1
5	95209	BRONZE BUSHING, 5-1/4 ID X 3/16	2
6	92702	SEAL	2
7	92701	ROLLER BEARING	2
8	92261	SPACER, BASE END	2
9	95213	BUSHING	2
10	97681	BUSHING	2
11	92262	SPACER, ROD END	1
12	YBHH40100	BOLT HEX, 1-1/4 X 10, G8	1
13	YBHH40110	BOLT HEX, 1-1/4 X 11 G8	1
14	YSFS16040	BOLT FLAT SOK, 1/2-13 X 2-3/4 BO	2
15	YBFB24025	BOLT FLANGE, 3/4 X 3-1/4 G8	2
16	YNNY40005	NUT HEX, 1 1/4-7 LKNY G8 YZ	2
17	YNFG24006	HEX NUT, FLANGED, TOP LOCK, 3/4-10 GG ZC	2
18	YNFG16003	NUT FLANGE, 1/2 GF	2
19	75177	ELEC, SENSOR, PROX, 15MM	1





FIGURE 9

LEFT LIFT ARM & COMPONENTS

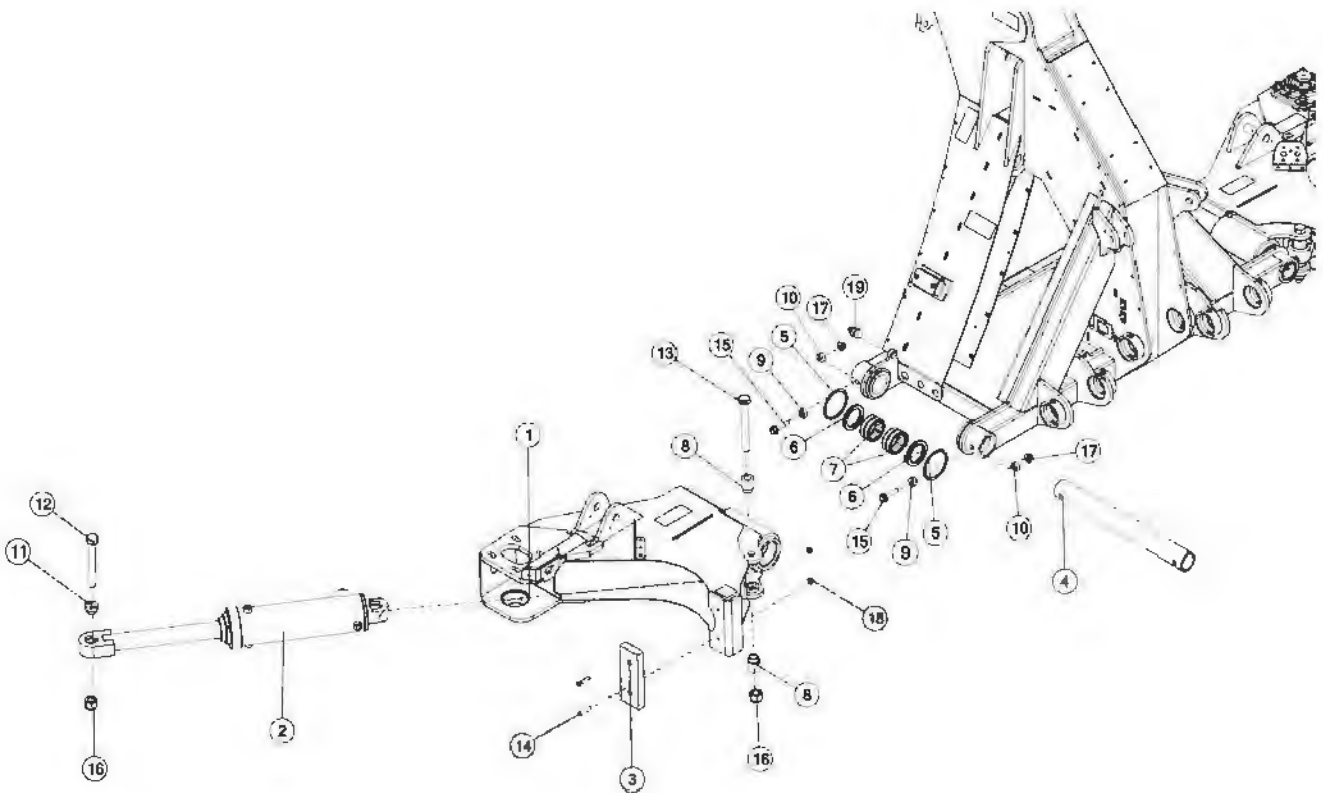




FIGURE 10

HYDRAULIC PUMP & COMPONENTS

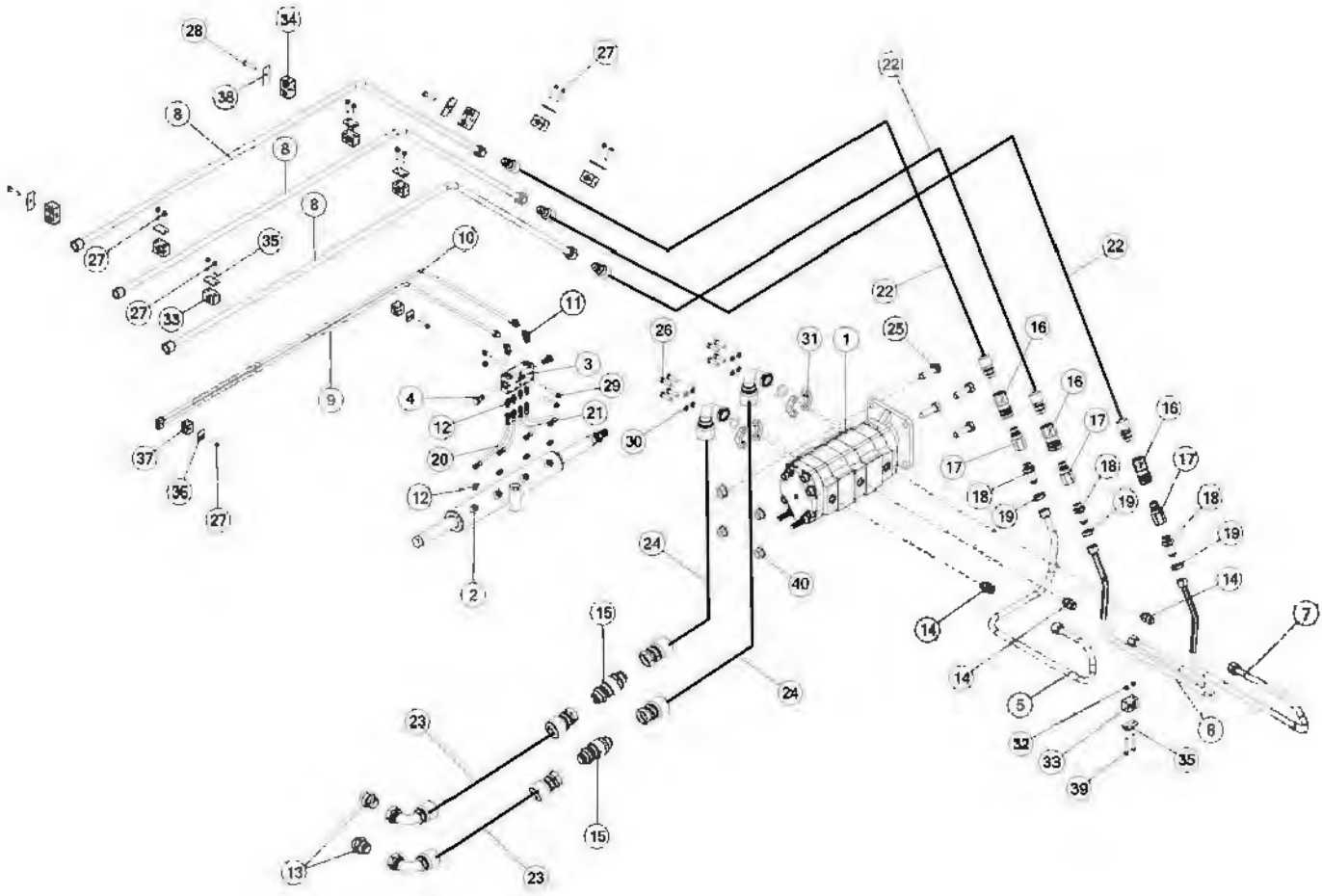




FIGURE 10

HYDRAULIC PUMP & COMPONENTS

REF #	PART #	DESCRIPTION	QTY
1	94536	HYDRAULIC PUMP	1
2	93646	MASTER CYLINDER	1
*	92271	SEAL KIT, 2-1/2 PISTON	1
*	92272	SEAL KIT, 2-1/2 END GLAND	1
3	92243	CHECK MANIFOLD	1
*	90369	SEAL KIT	1
4	74263	HYD VALVE, CHECK	2
5	92426	HYDRAULIC TUBE, 12	1
6	92425	HYDRAULIC TUBE, 12	1
7	92423	HYDRAULIC TUBE, 12	1
8	91945	HYDRAULIC TUBE	3
9	92553	HYDRAULIC TUBE	1
10	92531	HYDRAULIC TUBE	1
11	92530	FITTING 45, 6JIC, 4ORB	2
12	58094	FTG,ST,4JIC,4ORB,STL	8
13	96733	STRAIGHT THREAD CONNECTOR	2
14	GM21	FTG,ST,12JIC,10ORB,STL	3
15	96664	FITTING STRAIGHT, 20JIC, 20JIC	2
16	92563	FITTING STRAIGHT, 12ORB, 5/8	3
17	92329	FITTING STRAIGHT, 12ORB, 5/8	3
18	92328	FITTING STRAIGHT, 12JIC, 12ORB, BULKHEAD	3
19	84024	JAM NUT HEX, -12 JIC	3
20	86365	HYD HOSE, 4, 12.0IN	2
21	86366	HYD HOSE, 4, 10.0IN	2
22	92568	HYDRAULIC HOSE, 12, 56.0	3
23	92566	HYDRAULIC HOSE, 20, 58	2
24	92326	HYDRAULIC HOSE, 20, 34	2
25	YBHH24032	BOLT, HEX, 3/4-10 X 2-1/2, G8, ZY	4





FIGURE 10

HYDRAULIC PUMP & COMPONENTS

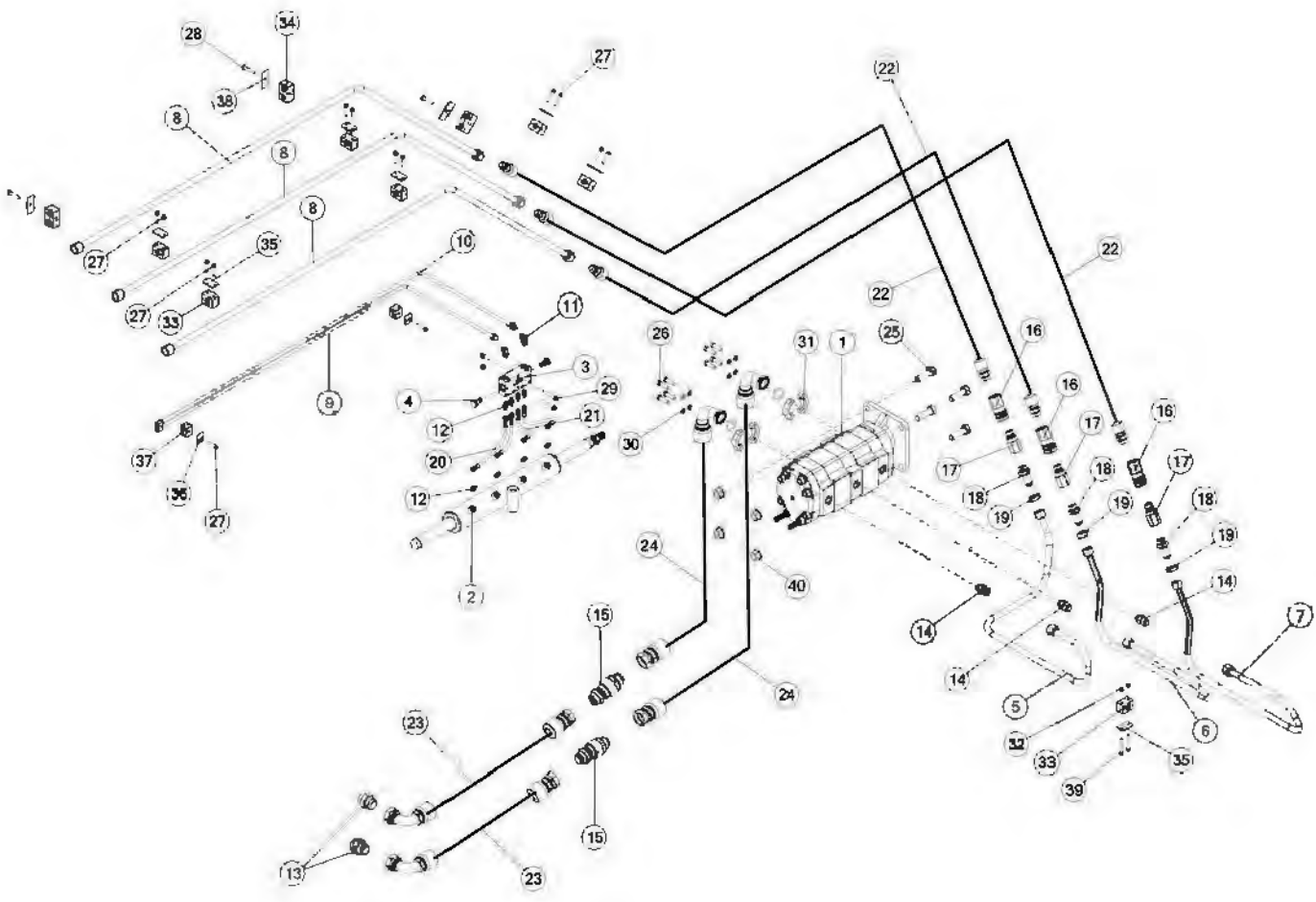




FIGURE 10

HYDRAULIC PUMP & COMPONENTS

REF #	PART #	DESCRIPTION	QTY
26	YBHH14007	BOLT, 7/16 X 1-1/2 GR 5	8
27	YBFB08150	BOLT FLANGE, 1/4 X 1-1/2	16
28	YBFB10175	BOLT FLANGE, 5/16 X 1-3/4 G5	3
29	YBFB10225	BOLT FLANGE, 5/16 X 2-1/4 G5	2
30	YWLO14005	WASHER, LOCK, 7/16, ZINC	8
31	TFM37	SPLIT FLANGE	4
32	YNFG08010	NUT FLANGE, 1/4 GF	2
33	CHM284	3/4" TUBE - HOSE CLAMP CUSHION	7
34	56625	HOSE CLAMP, DOUBLE, 3/4" TUBE	3
35	CHM283	TOP PLATE	7
36	CHM277	T1 HOSE CLAMP COVER	2
37	56597	HOSE CLAMP, DOUBLE, 3/8" TUBE	2
38	56564	CLAMP TOP PLATE	3
39	YBFB08225	BOLT FLANGE, 1/4 X 2-1/4	2
40	YNFG20005	NUT, FLANGE, 5/8 -11	4





FIGURE 11

HYDRAULICS & COMPONENTS

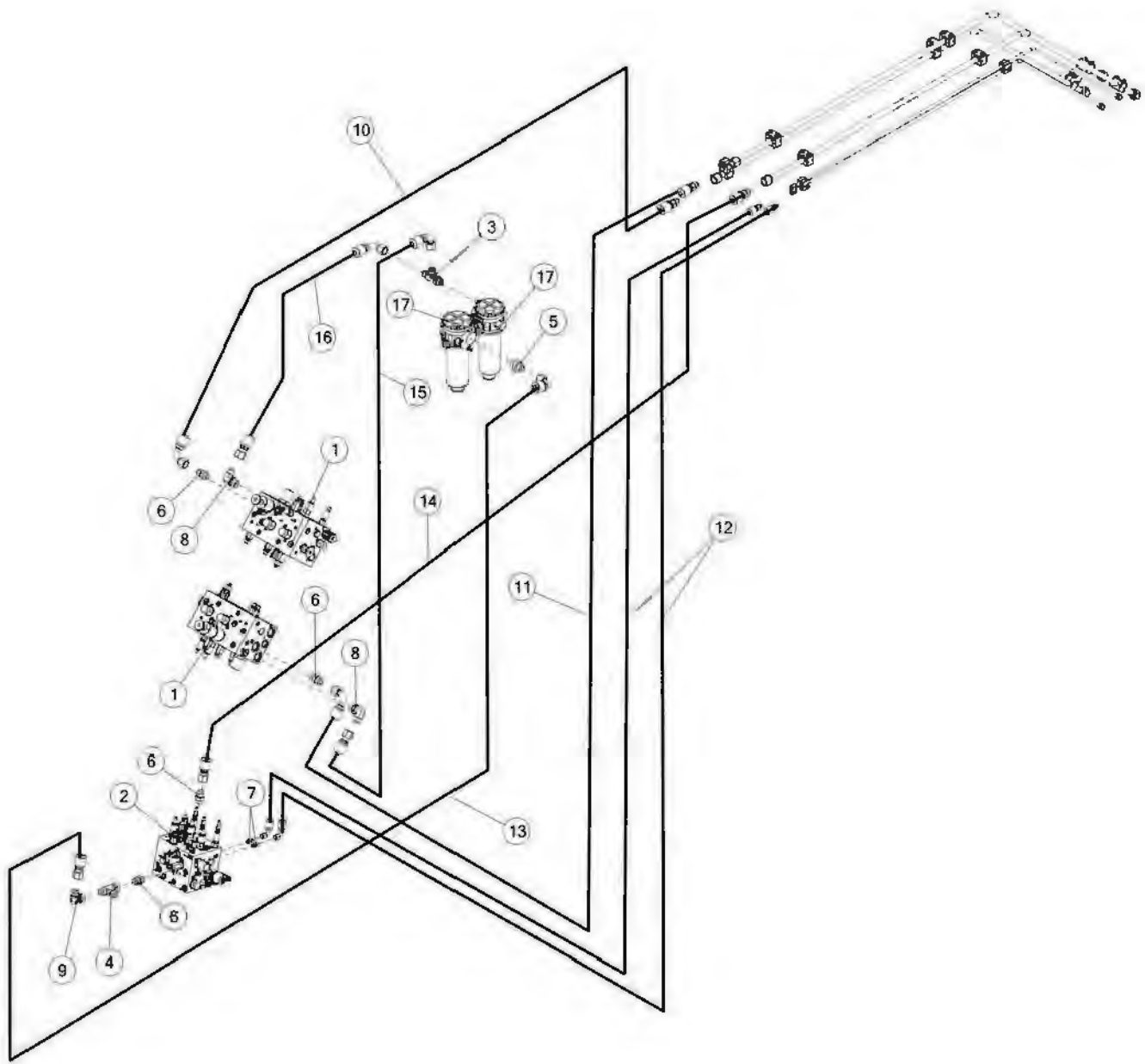




FIGURE 12

HYDRAULICS & COMPONENTS

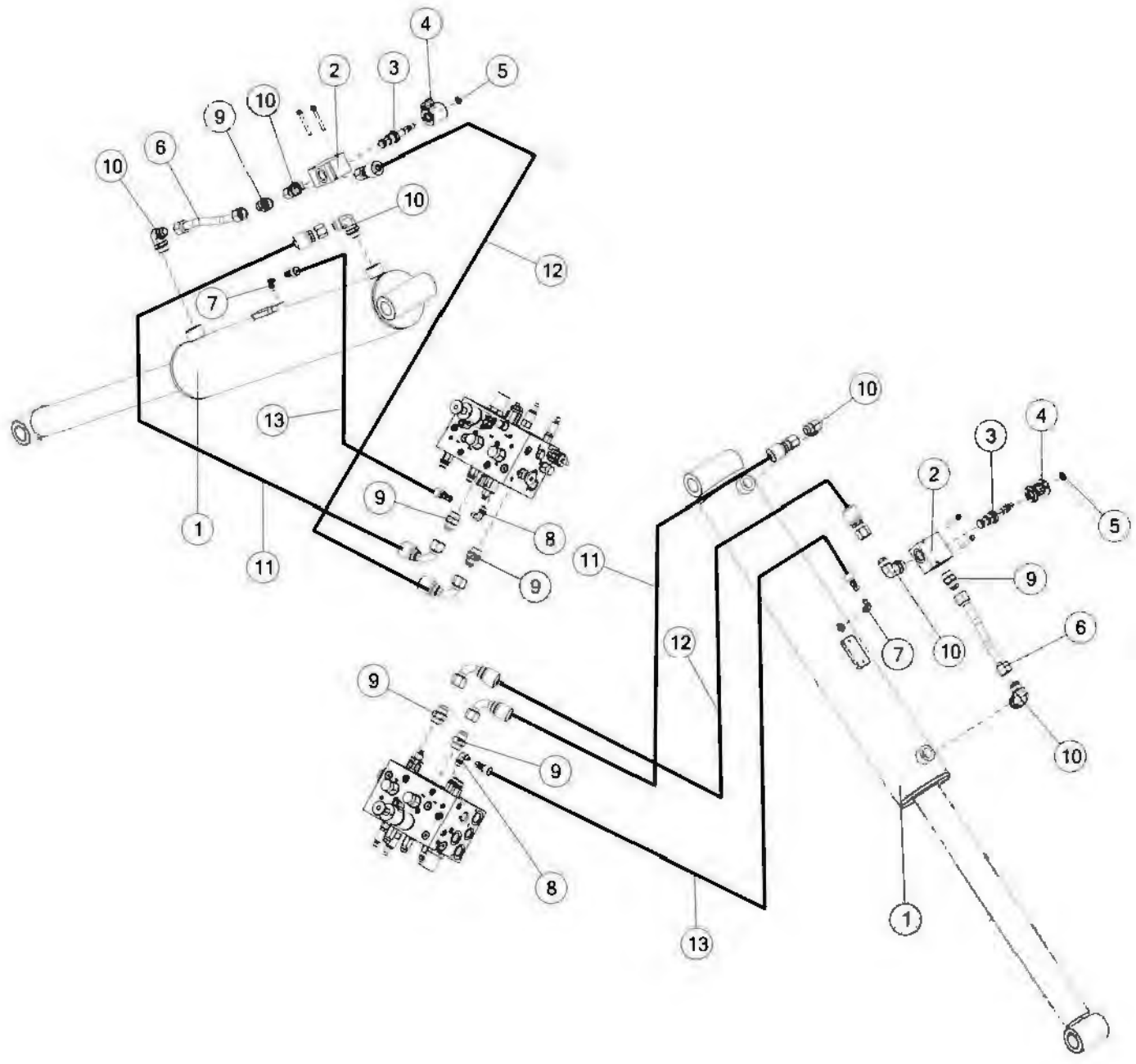




FIGURE 13 ACCUMULATOR & COMPONENTS

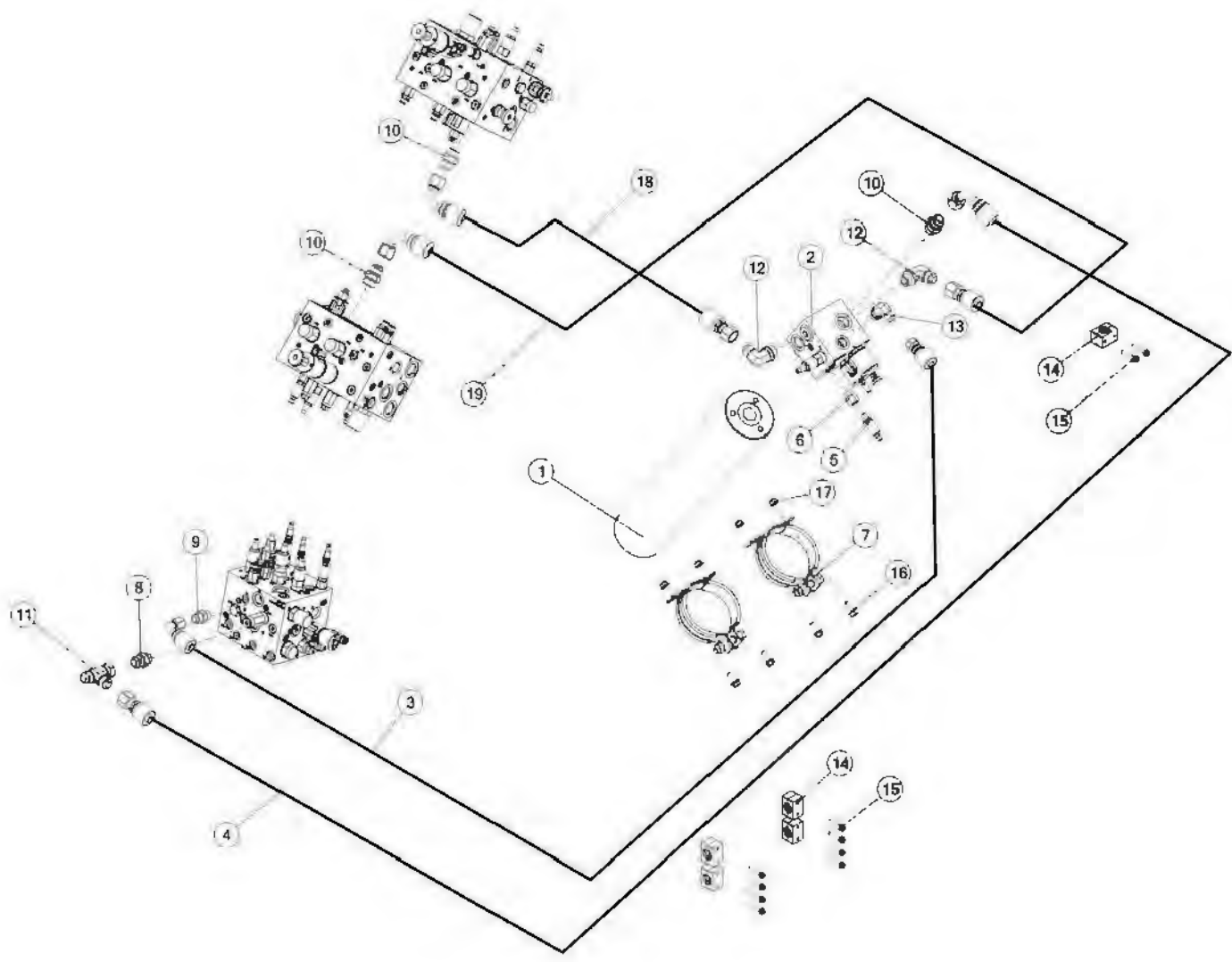




FIGURE 14

STEERING HYDRAULICS & COMPONENTS

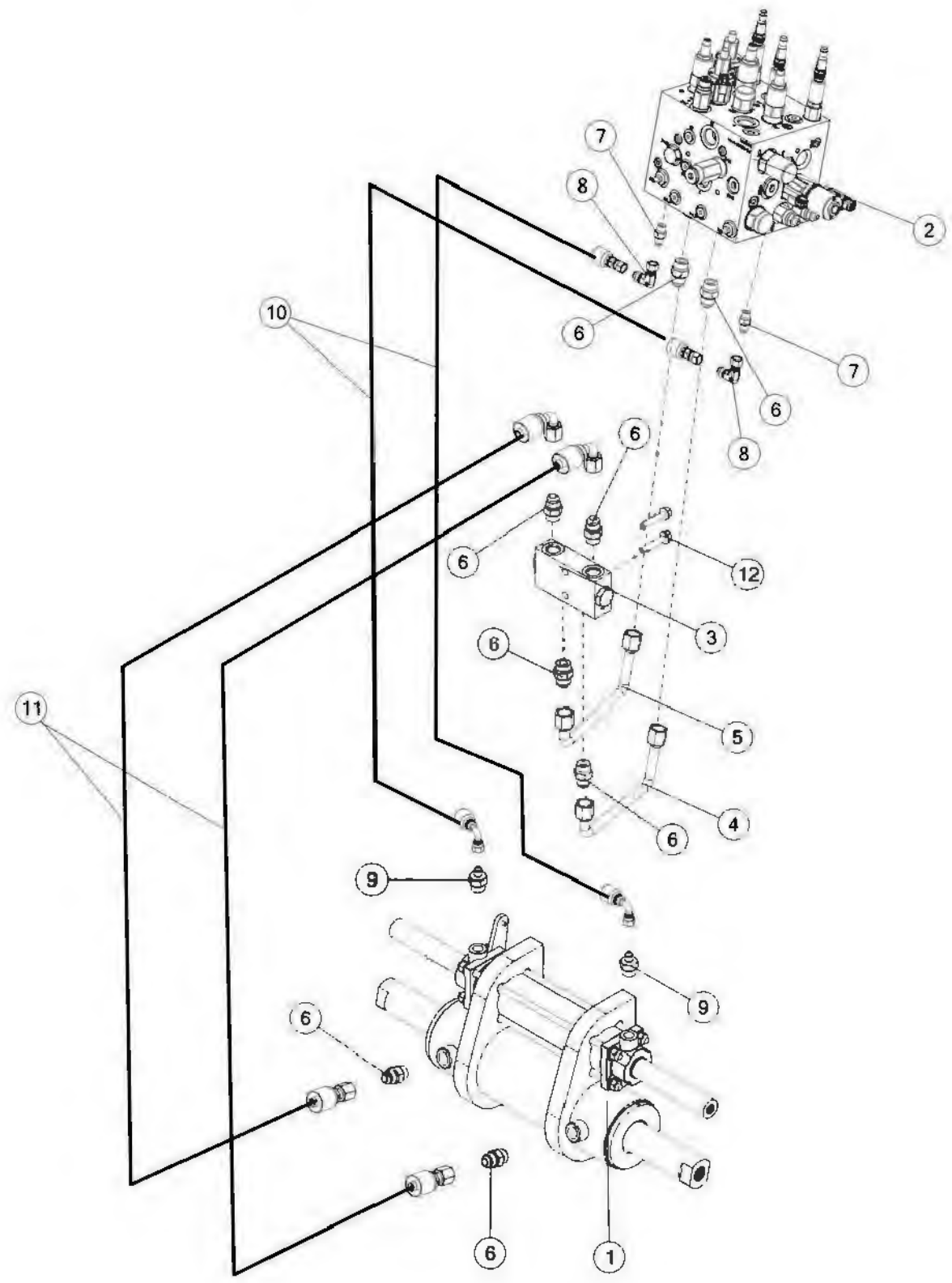




FIGURE 15
MAIN HEAD MANIFOLD & COMPONENTS

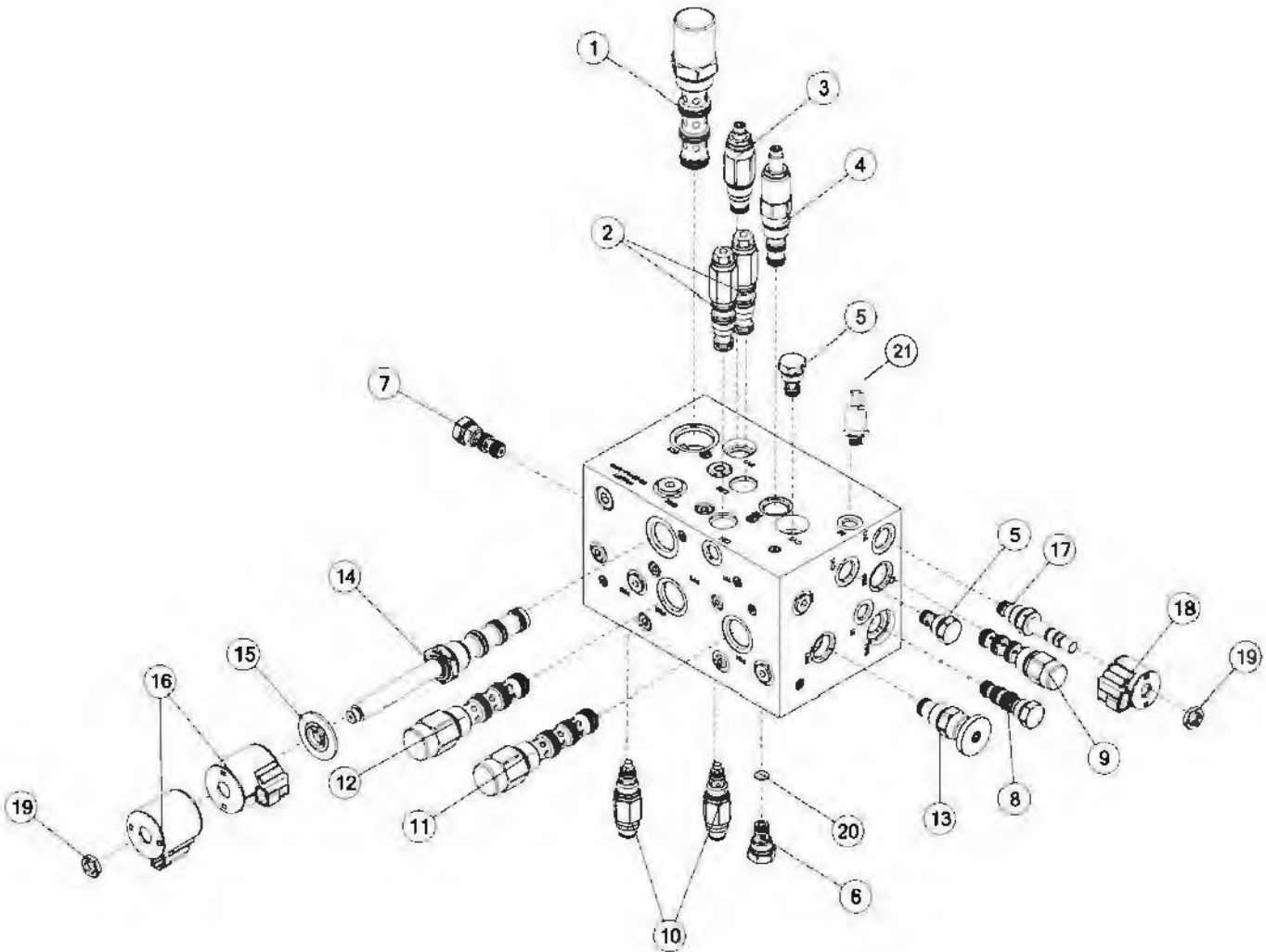




FIGURE 15

MAIN HEAD MANIFOLD & COMPONENTS

REF #	PART #	DESCRIPTION	QTY
1	91950	HYDRAULIC VALVE, PRESSURE COMPENSATOR	1
*	HS101125	SEAL KIT	1
2	91954	HYDRAULIC VALVE, COUNTER BALANCE	2
*	HS101172	SEAL KIT	1
3	91951	HYDRAULIC VALVE, RELIEF	1
*	77135	SEAL KIT	1
4	91952	HYDRAULIC VALVE, SEQUENCE	1
*	72558	SEAL KIT	1
5	74263	HYD VALVE, CHECK	2
*	90369	SEAL KIT	1
6	96811	CAVITY PLUG	1
7	85029	HYD VALVE, LOAD SHUTTLE	1
8	91955	HYDRAULIC VALVE, PILOT DIRECTIONAL	1
*	HS101105	SEAL KIT	1
9	82973	HYD VALVE DIRECTIONAL	1
*	78786	SEAL KIT	1
10	91958	HYDRAULIC VALVE, RELIEF	2
*	HS101158	SEAL KIT	1
11	91960	HYDRAULIC VALVE, DIRECTIONAL	1
*	77139	SEAL KIT	1
12	91961	HYDRAULIC VALVE, SPOOL	1
*	77139	SEAL KIT	1
13	91957	HYDRAULIC VALVE, NEEDLE	1
*	LW319	SEAL KIT	1
14	HS102408	HYDRAULIC VALVE, SPOOL	1
*	77139	SEAL KIT	1
15	77079	COIL SPACER	1
16	77071	ELEC, COIL, #10, 1.7A	2
17	91956	HYDRAULIC VALVE, POPET	1
*	90369	SEAL KIT	1
18	74395	ELEC, COIL, #08 1.36A	1
19	77078	HYD, SPOOL NUT, #8	2
20	91953	ORIFICE	1
21	HS101170	PRESSURE SENSOR 0-3000 PSI	1





FIGURE 16

STEERING MANIFOLD & COMPONENTS

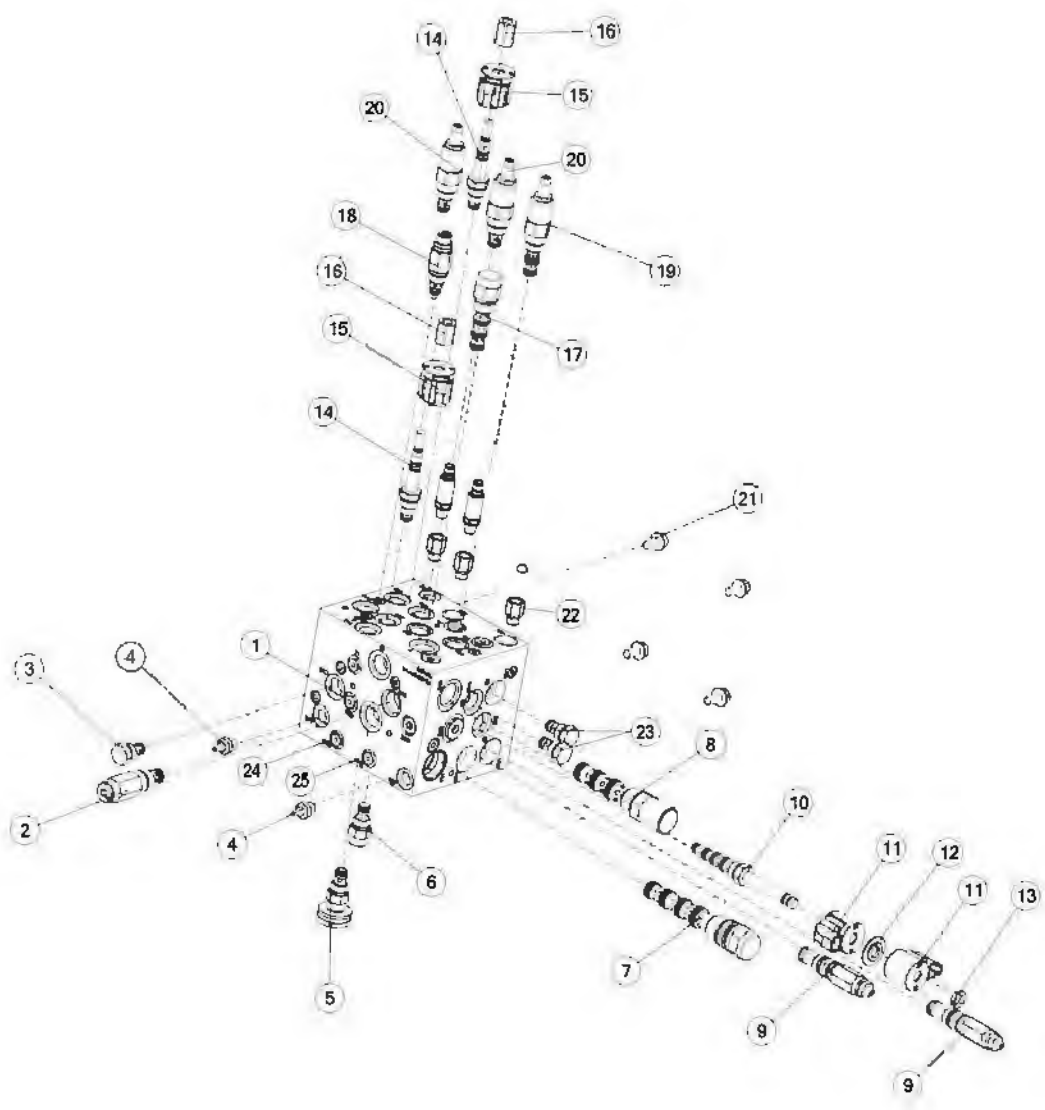




FIGURE 16

STEERING MANIFOLD & COMPONENTS

REF #	PART #	DESCRIPTION	QTY
1	77060	BALL CHECK	3
2	92577	HYDRAULIC VALVE, RELIEF	1
*	77135	SEAL KIT	1
3	74263	HYD VALVE, CHECK	3
*	90369	SEAL KIT	1
4	92578	HYDRAULIC VALVE, BLEEDER	2
5	86411	HYD VALVE, FLOW CONTROL	1
*	77138	SEAL KIT	1
6	92580	HYDRAULIC VALVE, FLOW CONTROL	1
*	77138	SEAL KIT	1
7	92588	HYDRAULIC VALVE, PILOT	1
*	HS101162	SEAL KIT	1
8	77067	HYD VALVE, 160 PSI EC	1
*	77139	SEAL KIT	1
9	92590	HYDRAULIC VALVE, COUNTERBALANCE	2
*	HS101172	SEAL KIT	1
10	92591	HYDRAULIC VALVE, SPOOL	1
*	77134	SEAL KIT	1
11	79532	ELEC, COIL	2
12	77074	ELEC, COIL SPACER, #8	1
13	77078	HYD, SPOOL NUT, #8	1
14	83785	HYDRAULIC VALVE, SPOOL	2
*	90369	SEAL KIT	1
15	74395	ELEC, COIL, #08 1.36A	2
16	92225	HEX NUT	2
17	92585	HYDRAULIC VALVE, PILOT	1
*	78786	SEAL KIT	1
18	92582	HYDRAULIC VALVE, RELIEF	1
*	HS101139	SEAL KIT	1
19	92584	HYDRAULIC VALVE, RELIEF	1
*	72558	SEAL KIT	1
20	92586	HYDRAULIC VALVE, RELIEF	2
*	90369	SEAL KIT	1
21	YBFB12075	BOLT FLANGE, 3/8 X 3/4 G5	4
22	77752	FITTING	3
23	92579	ORIFICE DISK	2
24	58099	FITTING PLUG	3
25	77059	SPRING, CHECK VALVE	3





FIGURE 17

BELT CONTROL MANIFOLD & COMPONENTS

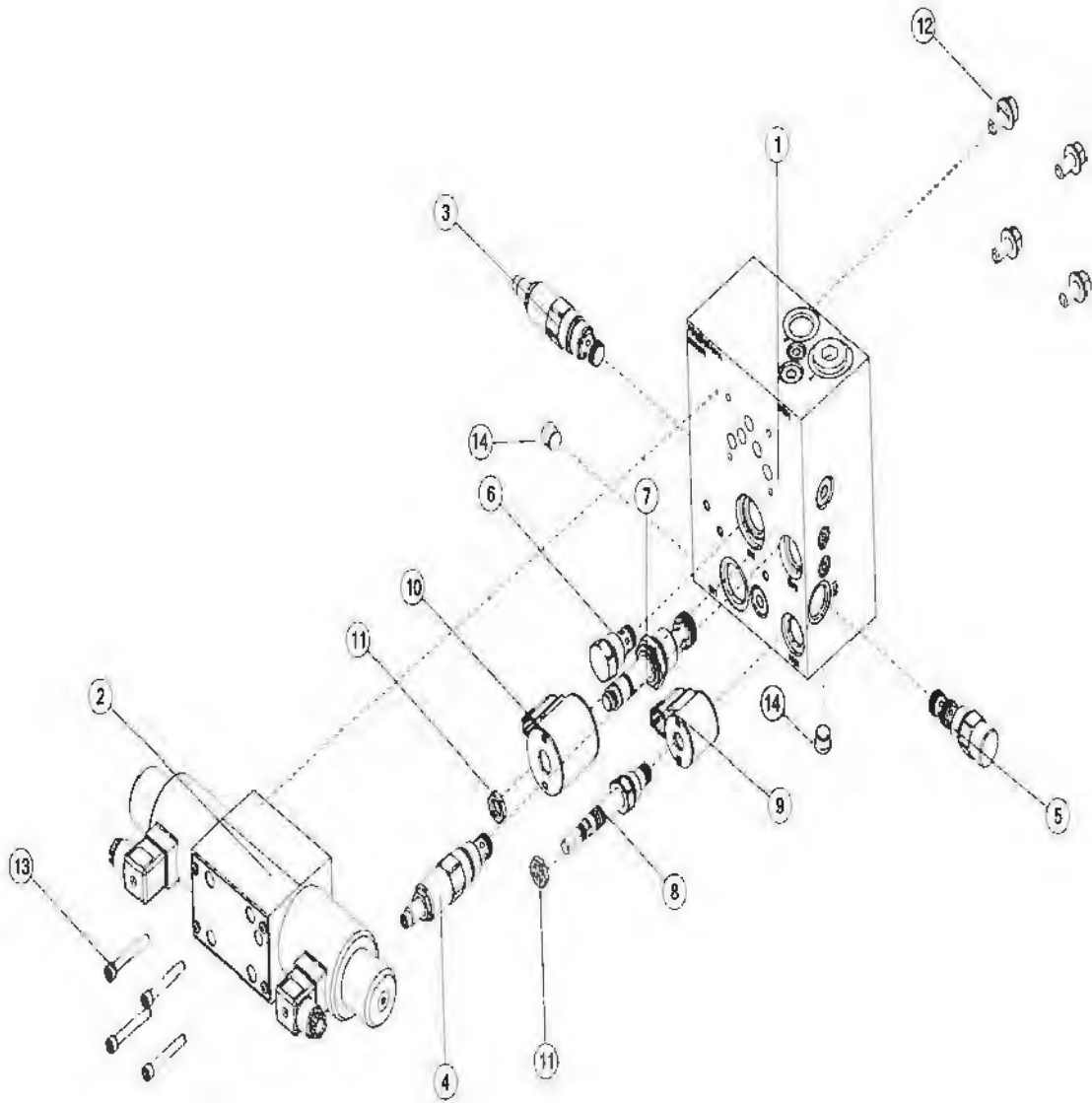




FIGURE 17

BELT CONTROL MANIFOLD & COMPONENTS

REF #	PART #	DESCRIPTION	QTY
1	92670	MANIFOLD BLOCK, BELT CONTROL	1
2	82991	HYDRAULIC VALVE	1
3	84004	HYD VALVE, RELIEF	1
4	97047	HYDRAULIC VALVE, RELIEFE	1
5	92673	HYDRAULIC VALVE, COMPENSATOR	1
6	82987	HYD VALVE, FLOW CONTROL	1
7	83785	HYDRAULIC VALVE, SPOOL	1
8	78862	HYD CAVITY PLUG	1
9	77071	ELEC, COIL, #10, 1.7A	1
10	74395	ELEC, COIL, #08 1.36A	1
11	GM57	FITTING STRAIGHT, 10JIC, 10ORB, STL	3
12	GM21	FITTING STRAIGHT, 12JIC, 10ORB, STL	1
13	YSHS08015	BOLT SOCKET, 1/4-20 X 1-3/4 BO	4
*	92246	MANIFOLD ASSEMBLY	1
14	SD270	HOLLOW HEX PLUG	2





FIGURE 18

HYDRAULIC MANIFOLD

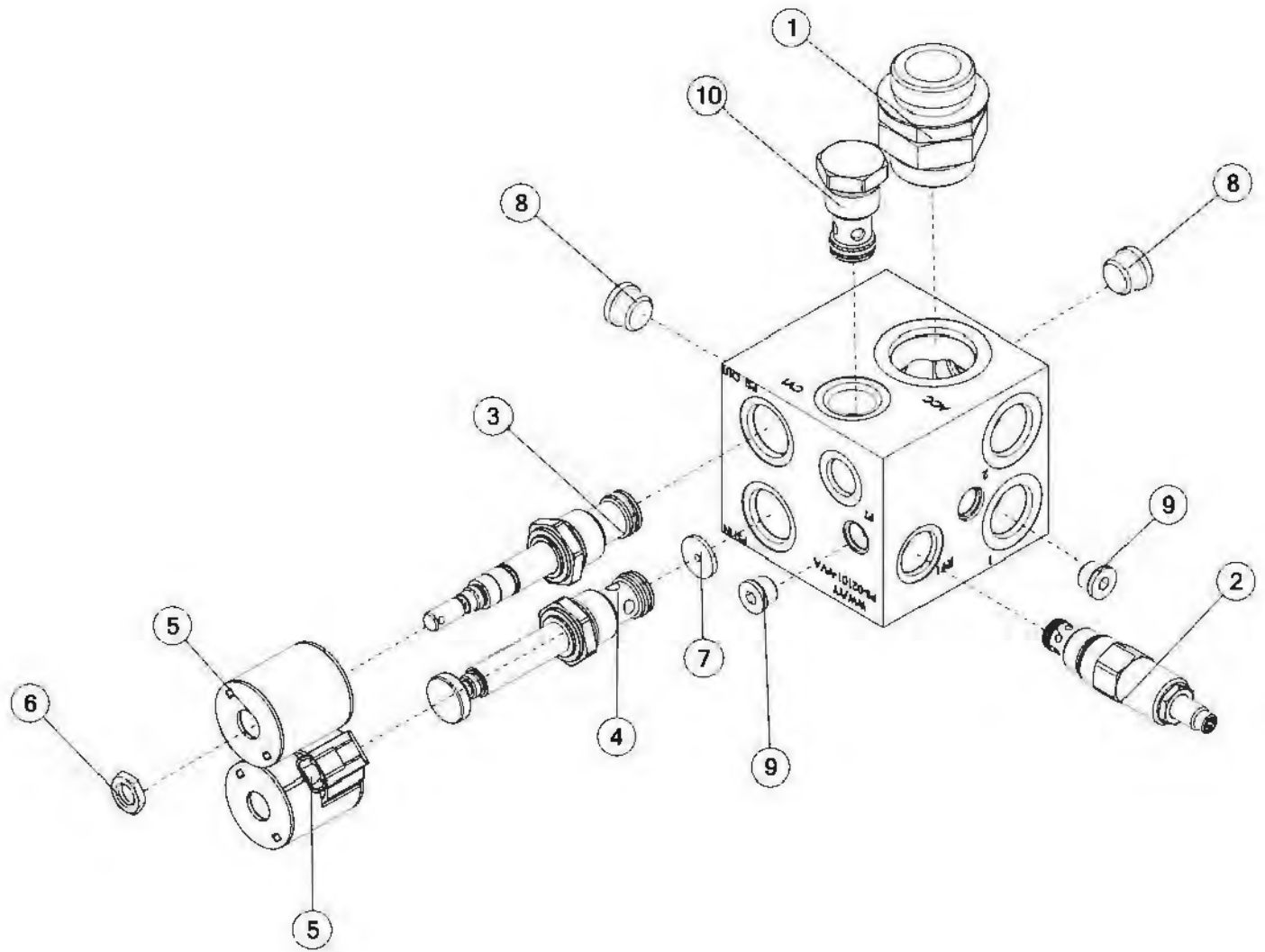




FIGURE 19

LEFT HEAD HYDRAULICS & COMPONENTS

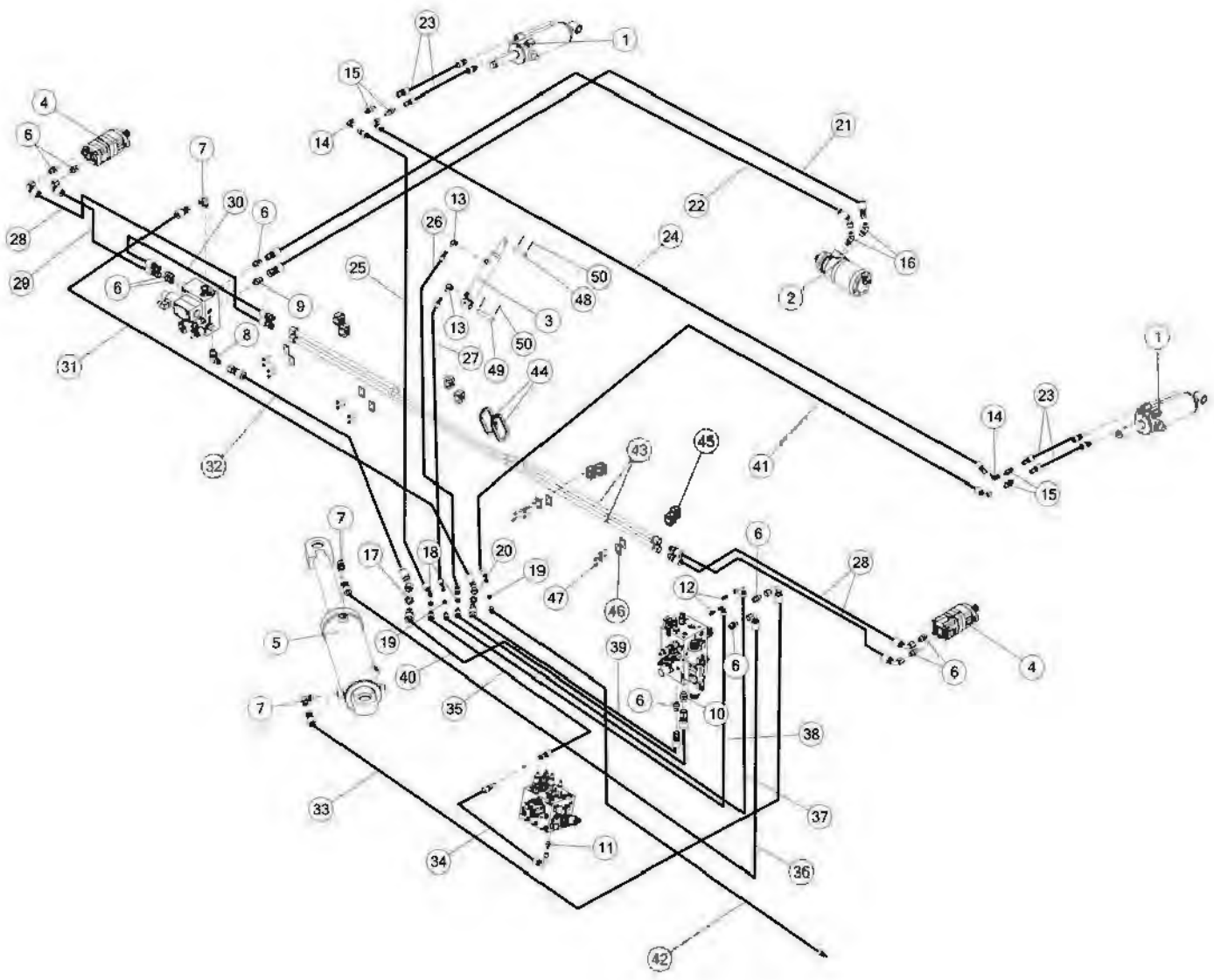




FIGURE 19

LEFT HEAD HYDRAULICS & COMPONENTS

REF #	PART #	DESCRIPTION	QTY
1	90462	HYDRAULIC CYLINDER, 3 1/2 X 6	2
*	90463	SEAL KIT	1
2	82161	HYD MOTOR, 39.6 CU IN, DELTA	1
3	85918	HYD CYLINDER, 1.5 X6	1
4	81763	HYD MOTOR, 9.6 CU IN, 2K	2
5	HS101465	HYDRAULIC CYLINDER, REPHASE 6 X 15	1
*	98239	SEAL KIT	1
6	GM57	FTG,ST,10JIC,10ORB,STL	10
7	GM56	FITTING, 90	3
8	CHM194	FITTING, 90, 12JIC X 12ORB	1
9	GM21	FTG,ST,12JIC,10ORB,STL	1
10	SD273	FTG,ST,12JIC,12ORB,STL	1
11	CHM257	FTG,ST,6JIC,6ORB,STL	1
12	58094	FTG,ST,4JIC,4ORB,STL	2
13	71281	FITTING, 90, 4JIC X 6ORB	2
14	58127	FITTING 90, 3/8 JIC, 3/8 JIC	2
15	95983	FITTING ST, 6 JIC, 6JIC, BULKHEAD	4
16	CHM175	FITTING, 45, 10JIC X 10ORB	2
17	84024	JAM NUT HEX, -12 JIC	1
18	95986	JAM NUT HEX, -6 JIC	2
19	98058	JAM NUT HEX, -4 JIC	3
20	84026	JAM NUT HEX, -10 JIC	1
21	94773	HYD HOSE, 10, 128IN	1
22	94775	HYD HOSE, 10, 123IN	1
23	95988	HYDRAULIC HOSE, 6, 22.0	4
24	96004	HYDRAULIC HOSE, 6, 174	1
25	98288	HYDRAULIC HOSE, 6, 140	1
26	98283	HYDRAULIC HOSE, 4, 73	1
27	98591	HYDRAULIC HOSE, 4, 67	1
28	96386	HYDRAULIC HOSE, 10, 54.0	3
29	88044	HYDRAULIC HOSE, 10, 36	1
30	95970	HYDRAULIC HOSE, 10, 54.0	1
31	98267	HYDRAULIC HOSE, 10, 107	1
32	98265	HYDRAULIC HOSE, 12, 107	1
33	HS101707	HYDRAULIC HOSE, 10, 108.50	1
34	97776	HYDRAULIC HOSE, 6, 27.0	1
35	98051	HYDRAULIC HOSE, 6, 64.0	1





FIGURE 19
LEFT HEAD HYDRAULICS & COMPONENTS

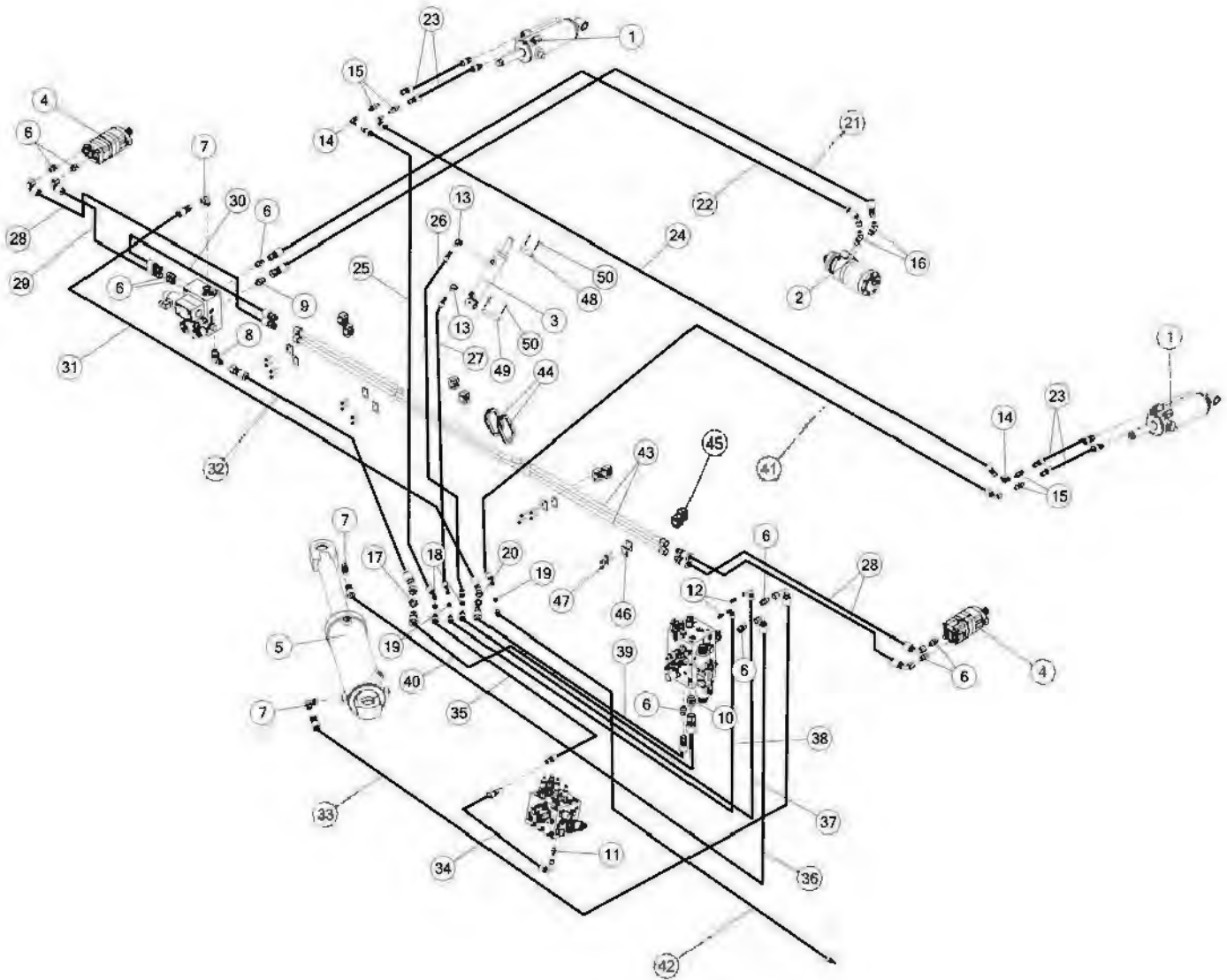




FIGURE 20

RIGHT HEAD HYDRAULICS & COMPONENTS

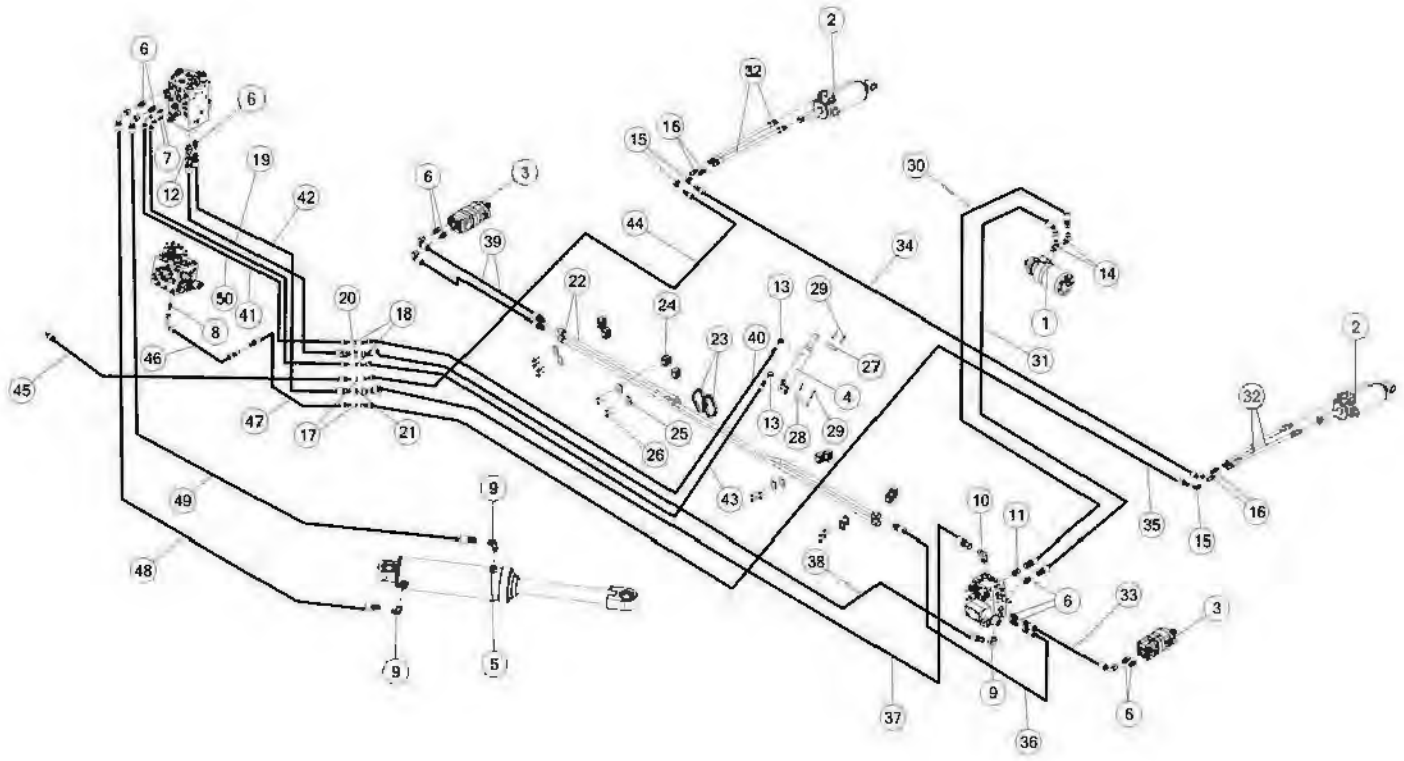




FIGURE 20

RIGHT HEAD HYDRAULICS & COMPONENTS

REF #	PART #	DESCRIPTION	QTY
1	82161	HYD MOTOR, 39.6 CU IN, DELTA	1
*	90463	SEAK KIT	1
2	90462	HYDRAULIC CYLINDER, 3 1/2 X 6	2
3	81763	HYD MOTOR, 9.6 CU IN, 2K	2
*	91920	SEAK KIT	1
4	85918	HYD CYLINDER, 1.5 X6	1
5	HS101465	HYDRAULIC CYLINDER, REPHASE 6 X 15	1
6	GM57	FTG,ST,10JIC,10ORB,STL	10
7	58094	FTG,ST,4JIC,4ORB,STL	2
8	CHM257	FTG,ST,6JIC,6ORB,STL	1
9	GM56	FTG, 90	3
10	CHM194	FITTING, 90, 12JIC X 12ORB	1
11	GM21	FTG,ST,12JIC,10ORB,STL	1
12	SD273	FTG,ST,12JIC,12ORB,STL	1
13	71281	FITTING, 90, 4JIC X 6ORB	2
14	CHM175	FITTING, 45, 10JIC X 10ORB	2
15	58127	FITTING 90, 3/8 JIC, 3/8 JIC	3
16	95983	FITTING ST, 6 JIC, 6JIC, BULKHEAD	4
17	95986	JAM NUT HEX, -6 JIC	2
18	98058	JAM NUT HEX, -4 JIC	2
19	HS101738	HYDRAULIC HOSE, 12, 83.68	1
20	84024	JAM NUT HEX, -12 JIC	1
21	84026	JAM NUT HEX, -10 JIC	1
22	95964	HYDRAULIC TUBE	2
23	93450	EDGING TWIN FLEX	2
24	CHM284	3/4" TUBE - HOSE CLAMP CUSHION	8
25	CHM283	TOP PLATE	8
26	YBFB08150	BOLT FLG, 1/4 X 1-1/2 G5	16
27	79558	CYLINDER PIN	1
28	84331	CYLINDER PIN	1
29	YPCT05010	COTTER PIN 5/32" X 1-1/2"	4
30	94773	HYD HOSE, 10, 128IN	1
31	94775	HYD HOSE, 10, 123IN	1
32	95988	HYDRAULIC HOSE, 6, 22.0	4
33	88044	HYDRAULIC HOSE, 10, 36	1
34	96004	HYDRAULIC HOSE, 6, 174	1
35	98288	HYDRAULIC HOSE, 6, 140	1





FIGURE 20

RIGHT HEAD HYDRAULICS & COMPONENTS

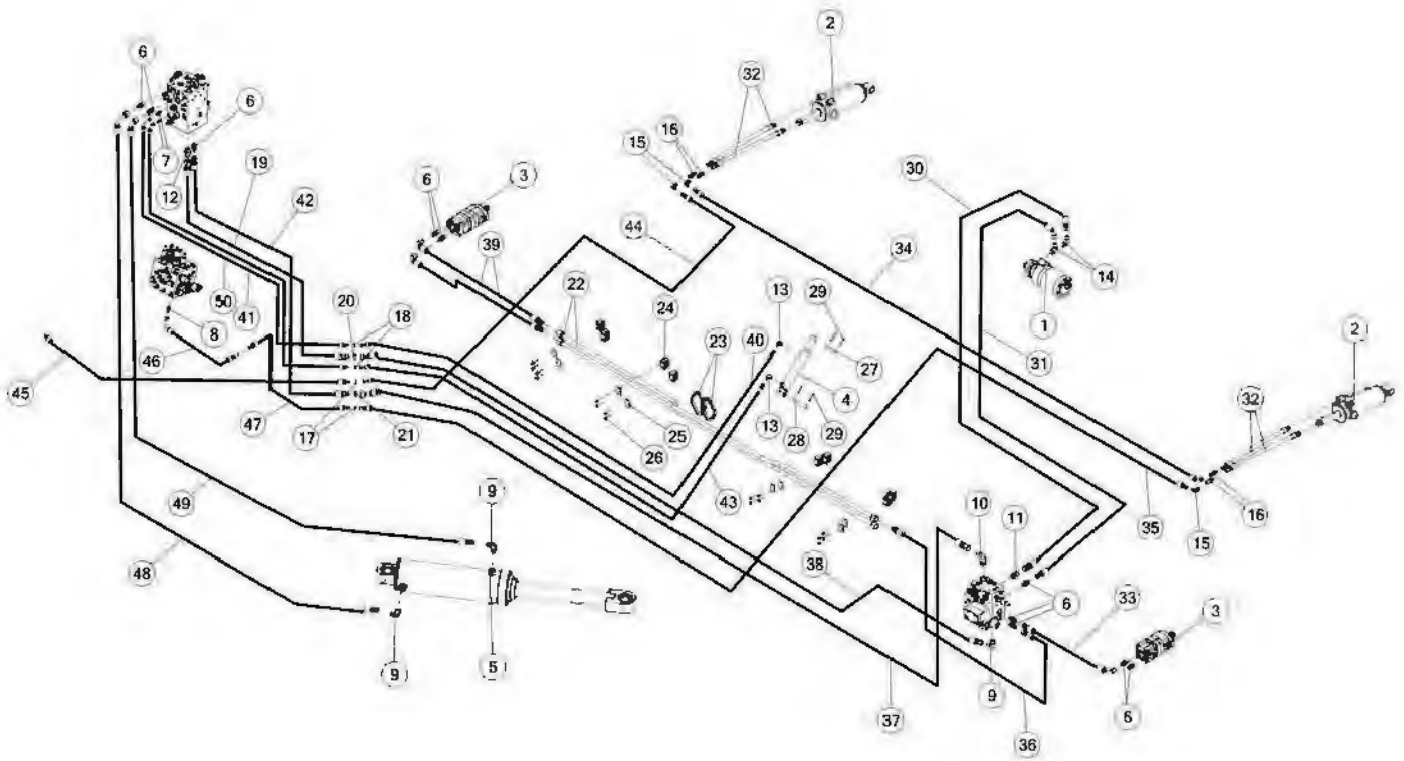




FIGURE 21

LIGHTS & COMPONENTS

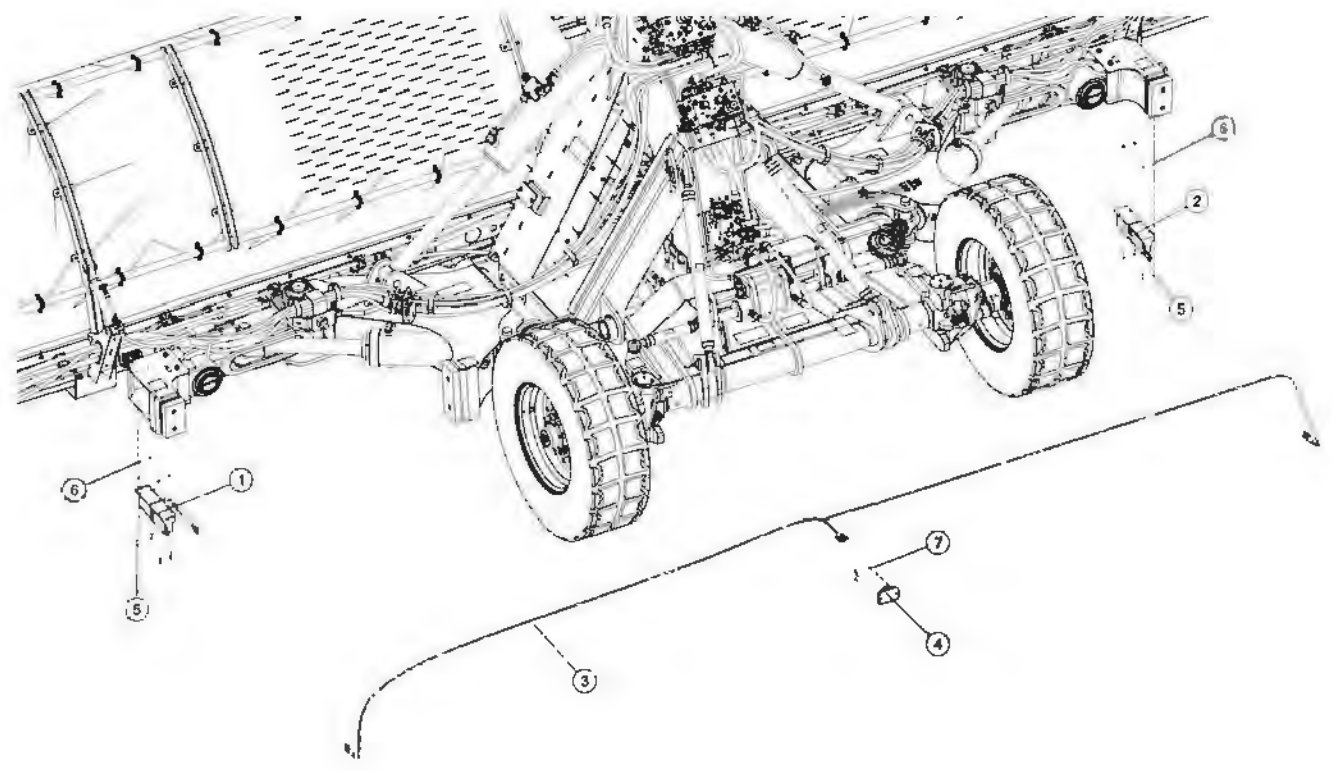




FIGURE 22

ELECTRICAL MODULES

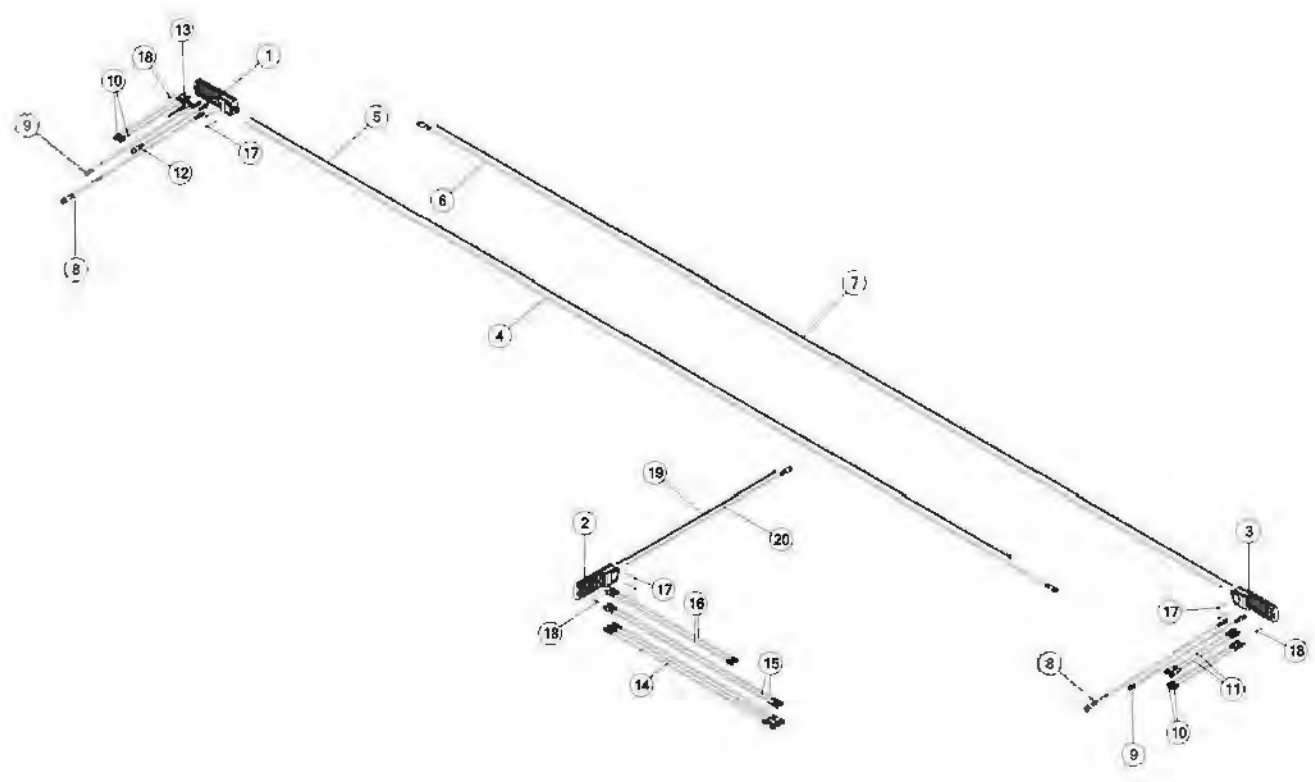
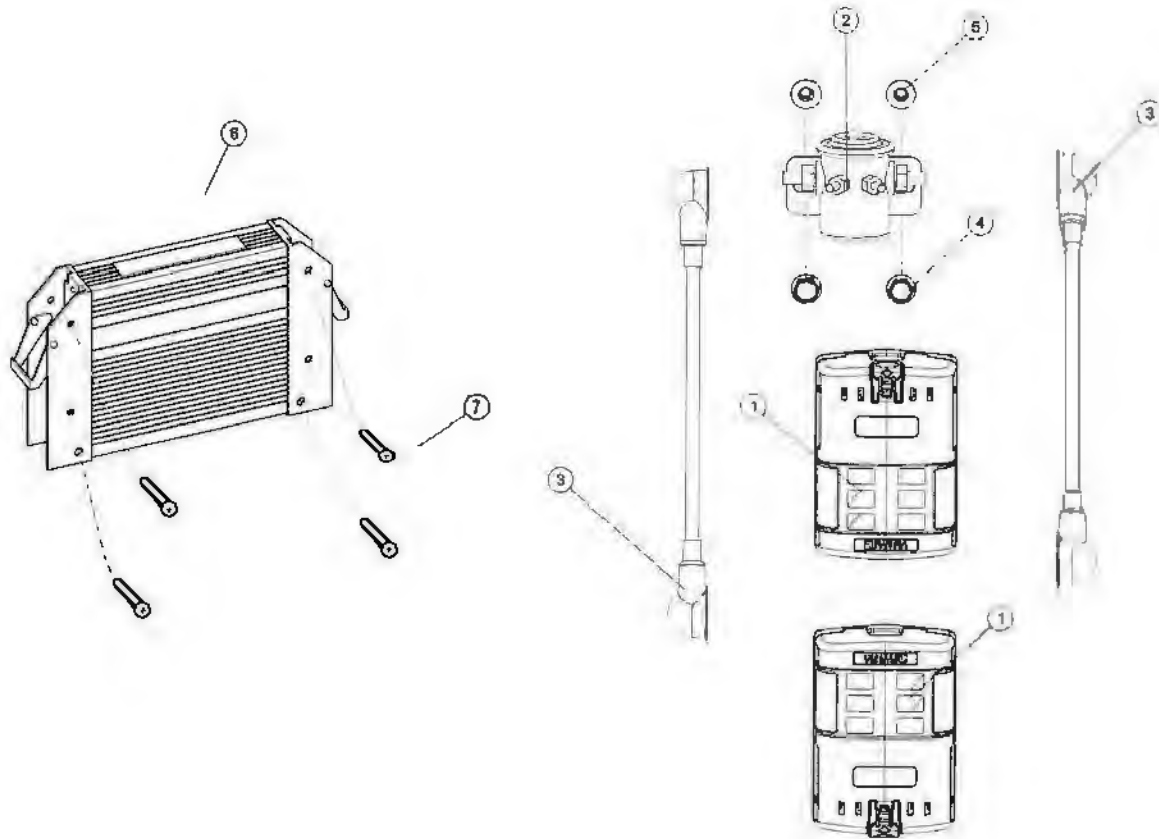




FIGURE 23

FUSE BLOCKS



REF #	PART #	DESCRIPTION	QTY
1	97675	FUSE BLOCK	2
2	83008	SOLENOID	1
3	83132	POWER WIRE	2
4	YBFB10075	BOLT FLANGE, 5/16 X 3/4 G5	2
5	YNFG10005	NUT FLANGE, 5/16 GF	2
6	94995	CONTROL MODULE	1
7	YSBS64005	BUTTON HEAD SOCKET CAP SCREW	4



FIGURE 24
FRONT ISO HARNESS

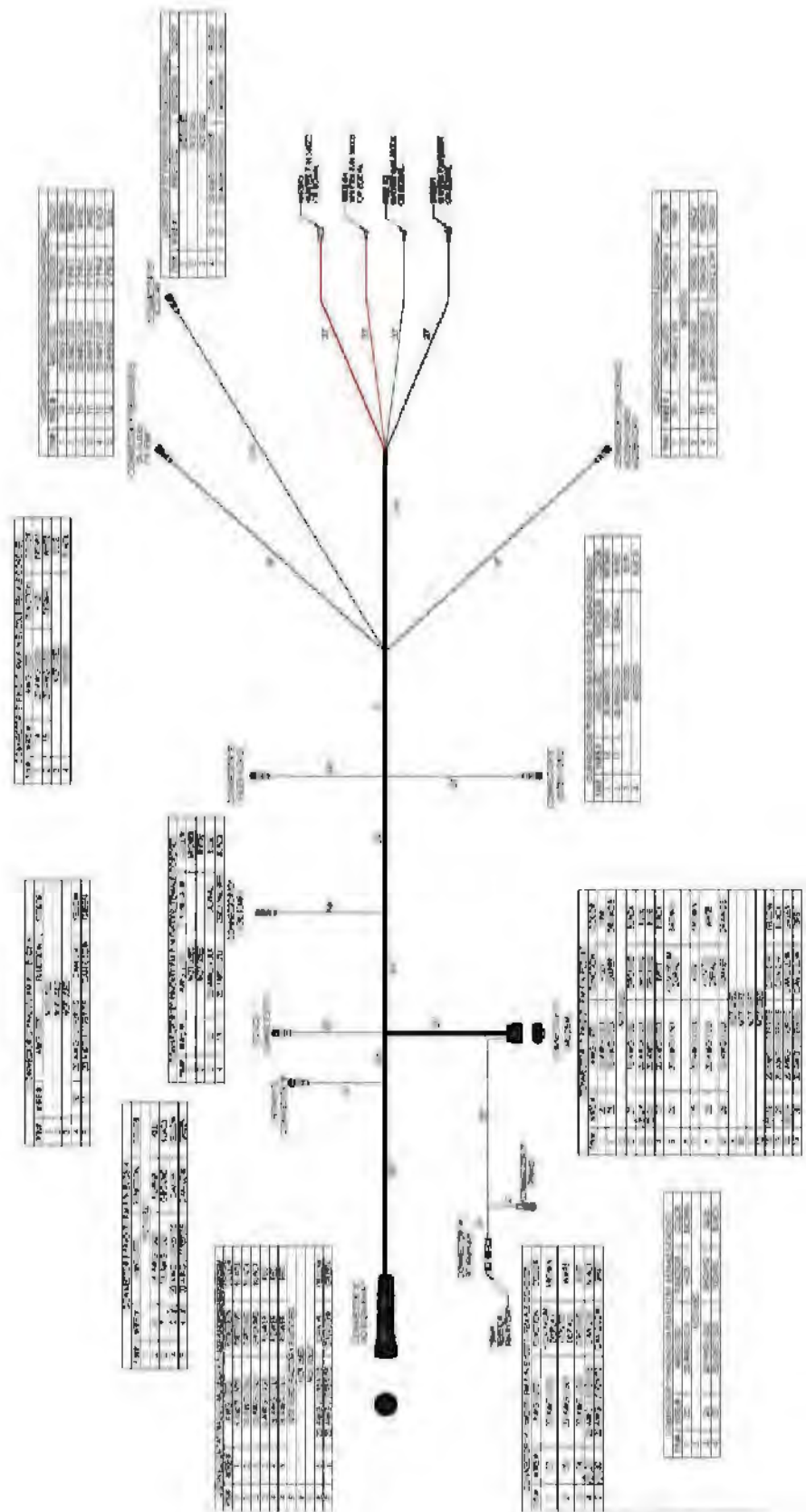




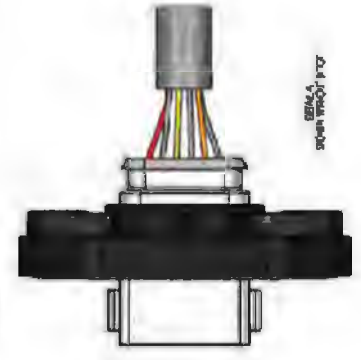
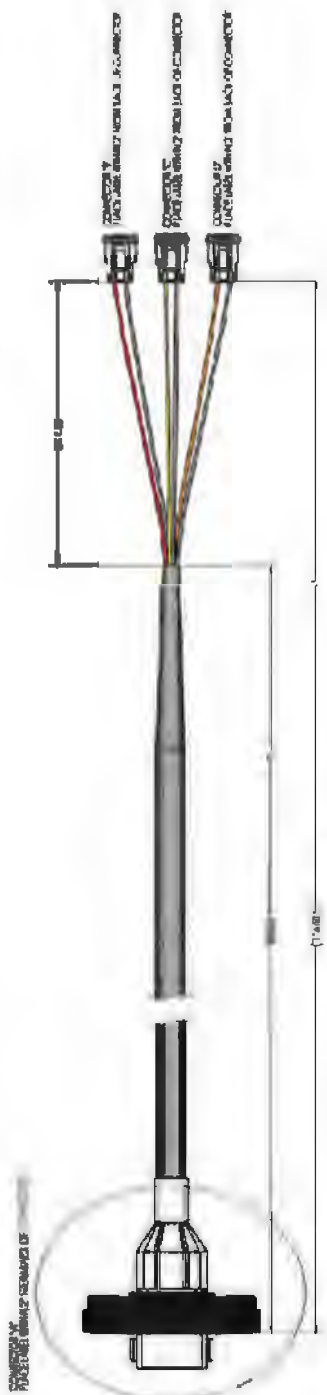
FIGURE 28 LEFT WING HARNESS

Part No.	Description	Quantity
1	Wing Harness	1
2	Wing Harness	1
3	Wing Harness	1
4	Wing Harness	1
5	Wing Harness	1
6	Wing Harness	1
7	Wing Harness	1
8	Wing Harness	1
9	Wing Harness	1
10	Wing Harness	1

WIRE #	WIRE COLOR	WIRE SIZE	WIRE TYPE	WIRE FUNCTION	WIRE LOCATION
1	RED	18 AWG	STRANDED	WING LIGHT	WING
2	GREEN	18 AWG	STRANDED	WING LIGHT	WING
3	BLUE	18 AWG	STRANDED	WING LIGHT	WING
4	BROWN	18 AWG	STRANDED	WING LIGHT	WING
5	BLACK	18 AWG	STRANDED	WING LIGHT	WING

WIRE #	WIRE COLOR	WIRE SIZE	WIRE TYPE	WIRE FUNCTION	WIRE LOCATION
1	RED	18 AWG	STRANDED	WING LIGHT	WING
2	GREEN	18 AWG	STRANDED	WING LIGHT	WING
3	BLUE	18 AWG	STRANDED	WING LIGHT	WING
4	BROWN	18 AWG	STRANDED	WING LIGHT	WING
5	BLACK	18 AWG	STRANDED	WING LIGHT	WING

WIRE #	WIRE COLOR	WIRE SIZE	WIRE TYPE	WIRE FUNCTION	WIRE LOCATION
1	RED	18 AWG	STRANDED	WING LIGHT	WING
2	GREEN	18 AWG	STRANDED	WING LIGHT	WING
3	BLUE	18 AWG	STRANDED	WING LIGHT	WING
4	BROWN	18 AWG	STRANDED	WING LIGHT	WING
5	BLACK	18 AWG	STRANDED	WING LIGHT	WING



CONNECTOR 1 POSITION THROUGH SCHEMATIC OF FIGURE 27

WIRE #	WIRE COLOR	WIRE SIZE	WIRE TYPE	WIRE FUNCTION	WIRE LOCATION
1	RED	18 AWG	STRANDED	WING LIGHT	WING
2	GREEN	18 AWG	STRANDED	WING LIGHT	WING
3	BLUE	18 AWG	STRANDED	WING LIGHT	WING
4	BROWN	18 AWG	STRANDED	WING LIGHT	WING
5	BLACK	18 AWG	STRANDED	WING LIGHT	WING

WIRE #	WIRE COLOR	WIRE SIZE	WIRE TYPE	WIRE FUNCTION	WIRE LOCATION
1	RED	18 AWG	STRANDED	WING LIGHT	WING
2	GREEN	18 AWG	STRANDED	WING LIGHT	WING
3	BLUE	18 AWG	STRANDED	WING LIGHT	WING
4	BROWN	18 AWG	STRANDED	WING LIGHT	WING
5	BLACK	18 AWG	STRANDED	WING LIGHT	WING



FIGURE 29 ST HARNESS

1. WIRE COLOR: Yellow
 2. WIRE COLOR: Green
 3. WIRE COLOR: Red
 4. WIRE COLOR: Blue
 5. WIRE COLOR: Black
 6. WIRE COLOR: White
 7. WIRE COLOR: Grey
 8. WIRE COLOR: Brown
 9. WIRE COLOR: Orange
 10. WIRE COLOR: Purple
 11. WIRE COLOR: Pink
 12. WIRE COLOR: Silver
 13. WIRE COLOR: Gold
 14. WIRE COLOR: Copper
 15. WIRE COLOR: Aluminum
 16. WIRE COLOR: Steel
 17. WIRE COLOR: Titanium
 18. WIRE COLOR: Inconel
 19. WIRE COLOR: Hastelloy
 20. WIRE COLOR: Monel

WIRE #	WIRE COLOR	FUNCTION	UNIT #
1	Yellow	IGNITION	101
2	Green	GROUND	102
3	Red	BATTERY	103
4	Blue	IGNITION	104
5	Black	GROUND	105
6	White	IGNITION	106
7	Grey	IGNITION	107
8	Brown	IGNITION	108
9	Orange	IGNITION	109
10	Purple	IGNITION	110
11	Pink	IGNITION	111
12	Silver	IGNITION	112
13	Gold	IGNITION	113
14	Copper	IGNITION	114
15	Aluminum	IGNITION	115
16	Steel	IGNITION	116
17	Titanium	IGNITION	117
18	Inconel	IGNITION	118
19	Hastelloy	IGNITION	119
20	Monel	IGNITION	120

WIRE #	WIRE COLOR	FUNCTION	UNIT #
1	Yellow	IGNITION	101
2	Green	GROUND	102
3	Red	BATTERY	103
4	Blue	IGNITION	104
5	Black	GROUND	105
6	White	IGNITION	106
7	Grey	IGNITION	107
8	Brown	IGNITION	108
9	Orange	IGNITION	109
10	Purple	IGNITION	110
11	Pink	IGNITION	111
12	Silver	IGNITION	112
13	Gold	IGNITION	113
14	Copper	IGNITION	114
15	Aluminum	IGNITION	115
16	Steel	IGNITION	116
17	Titanium	IGNITION	117
18	Inconel	IGNITION	118
19	Hastelloy	IGNITION	119
20	Monel	IGNITION	120

WIRE #	WIRE COLOR	FUNCTION	UNIT #
1	Yellow	IGNITION	101
2	Green	GROUND	102
3	Red	BATTERY	103
4	Blue	IGNITION	104
5	Black	GROUND	105
6	White	IGNITION	106
7	Grey	IGNITION	107
8	Brown	IGNITION	108
9	Orange	IGNITION	109
10	Purple	IGNITION	110
11	Pink	IGNITION	111
12	Silver	IGNITION	112
13	Gold	IGNITION	113
14	Copper	IGNITION	114
15	Aluminum	IGNITION	115
16	Steel	IGNITION	116
17	Titanium	IGNITION	117
18	Inconel	IGNITION	118
19	Hastelloy	IGNITION	119
20	Monel	IGNITION	120

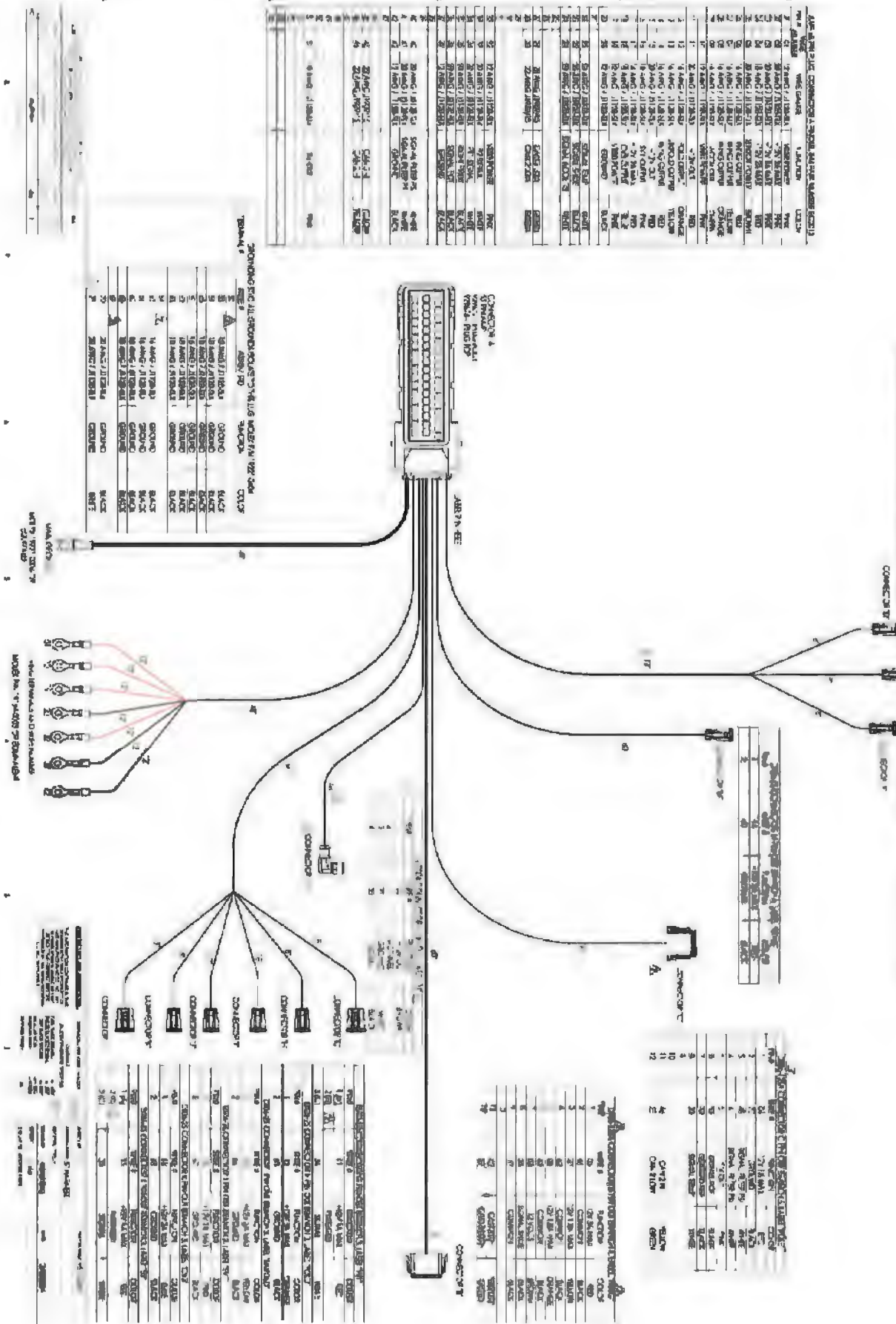
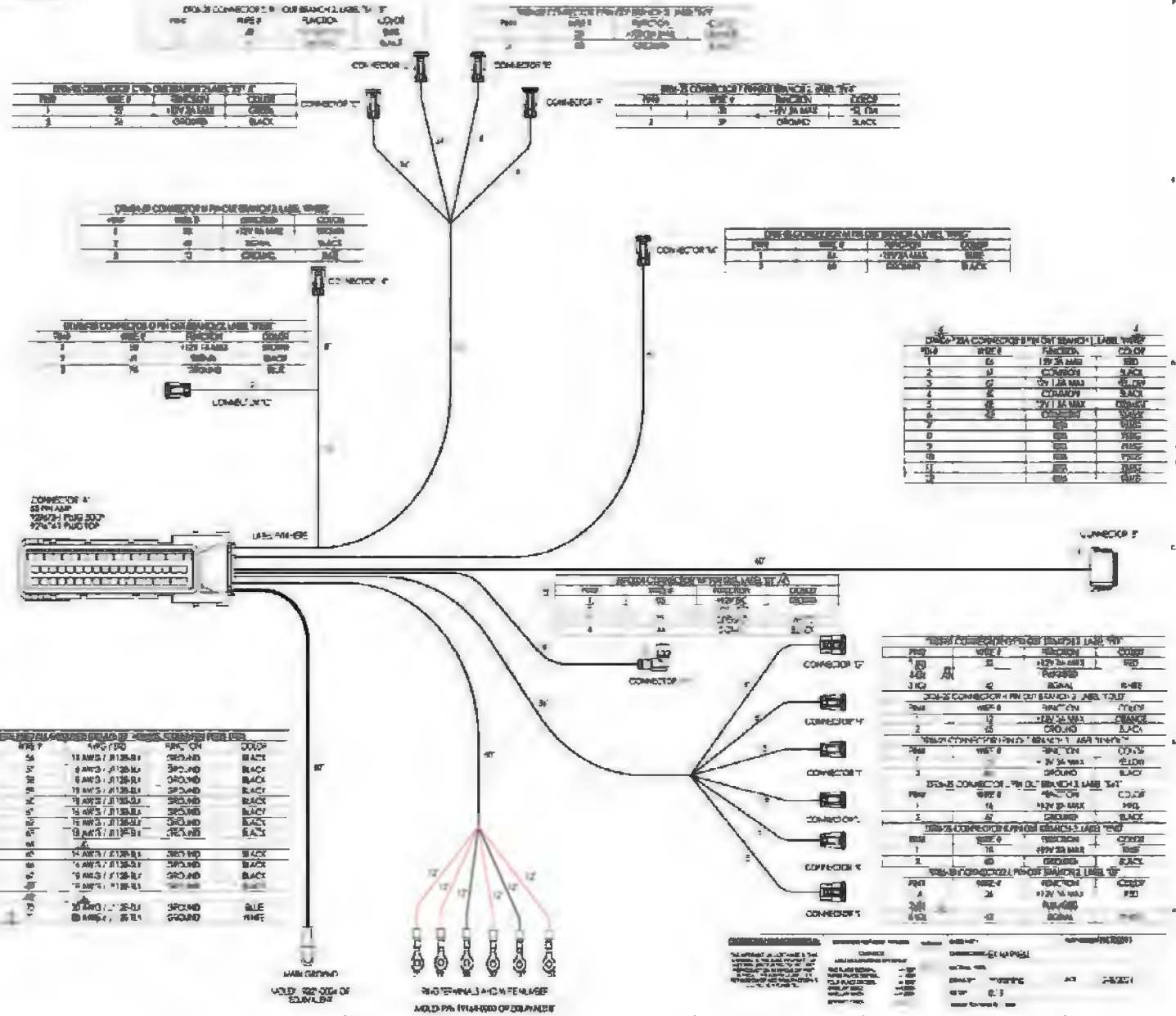


FIGURE 30 EX HARNESS

1. HARNESS CONNECTIONS
1. WIRING MUST BE MADE IN ACCORDANCE WITH THE STANDARDS OF THE MANUFACTURER OF THE EQUIPMENT AND THE STANDARDS OF THE MANUFACTURER OF THE EQUIPMENT.
 2. WIRING MUST BE MADE IN ACCORDANCE WITH THE STANDARDS OF THE MANUFACTURER OF THE EQUIPMENT AND THE STANDARDS OF THE MANUFACTURER OF THE EQUIPMENT.
 3. WIRING MUST BE MADE IN ACCORDANCE WITH THE STANDARDS OF THE MANUFACTURER OF THE EQUIPMENT AND THE STANDARDS OF THE MANUFACTURER OF THE EQUIPMENT.

WIRE NO.	WIRE SIZE	FUNCTION	COLOR
1	18 AWG / J128-S1	IGNITION	RED
2	18 AWG / J128-S1	IGNITION	RED
3	18 AWG / J128-S1	IGNITION	RED
4	18 AWG / J128-S1	IGNITION	RED
5	18 AWG / J128-S1	IGNITION	RED
6	18 AWG / J128-S1	IGNITION	RED
7	18 AWG / J128-S1	IGNITION	RED
8	18 AWG / J128-S1	IGNITION	RED
9	18 AWG / J128-S1	IGNITION	RED
10	18 AWG / J128-S1	IGNITION	RED
11	18 AWG / J128-S1	IGNITION	RED
12	18 AWG / J128-S1	IGNITION	RED
13	18 AWG / J128-S1	IGNITION	RED
14	18 AWG / J128-S1	IGNITION	RED
15	18 AWG / J128-S1	IGNITION	RED
16	18 AWG / J128-S1	IGNITION	RED
17	18 AWG / J128-S1	IGNITION	RED
18	18 AWG / J128-S1	IGNITION	RED
19	18 AWG / J128-S1	IGNITION	RED
20	18 AWG / J128-S1	IGNITION	RED
21	18 AWG / J128-S1	IGNITION	RED
22	18 AWG / J128-S1	IGNITION	RED
23	18 AWG / J128-S1	IGNITION	RED
24	18 AWG / J128-S1	IGNITION	RED
25	18 AWG / J128-S1	IGNITION	RED
26	18 AWG / J128-S1	IGNITION	RED
27	18 AWG / J128-S1	IGNITION	RED
28	18 AWG / J128-S1	IGNITION	RED
29	18 AWG / J128-S1	IGNITION	RED
30	18 AWG / J128-S1	IGNITION	RED
31	18 AWG / J128-S1	IGNITION	RED
32	18 AWG / J128-S1	IGNITION	RED
33	18 AWG / J128-S1	IGNITION	RED
34	18 AWG / J128-S1	IGNITION	RED
35	18 AWG / J128-S1	IGNITION	RED
36	18 AWG / J128-S1	IGNITION	RED
37	18 AWG / J128-S1	IGNITION	RED
38	18 AWG / J128-S1	IGNITION	RED
39	18 AWG / J128-S1	IGNITION	RED
40	18 AWG / J128-S1	IGNITION	RED
41	18 AWG / J128-S1	IGNITION	RED
42	18 AWG / J128-S1	IGNITION	RED
43	18 AWG / J128-S1	IGNITION	RED
44	18 AWG / J128-S1	IGNITION	RED
45	18 AWG / J128-S1	IGNITION	RED
46	18 AWG / J128-S1	IGNITION	RED
47	18 AWG / J128-S1	IGNITION	RED
48	18 AWG / J128-S1	IGNITION	RED
49	18 AWG / J128-S1	IGNITION	RED
50	18 AWG / J128-S1	IGNITION	RED
51	18 AWG / J128-S1	IGNITION	RED
52	18 AWG / J128-S1	IGNITION	RED
53	18 AWG / J128-S1	IGNITION	RED
54	18 AWG / J128-S1	IGNITION	RED
55	18 AWG / J128-S1	IGNITION	RED
56	18 AWG / J128-S1	IGNITION	RED
57	18 AWG / J128-S1	IGNITION	RED
58	18 AWG / J128-S1	IGNITION	RED
59	18 AWG / J128-S1	IGNITION	RED
60	18 AWG / J128-S1	IGNITION	RED
61	18 AWG / J128-S1	IGNITION	RED
62	18 AWG / J128-S1	IGNITION	RED
63	18 AWG / J128-S1	IGNITION	RED
64	18 AWG / J128-S1	IGNITION	RED
65	18 AWG / J128-S1	IGNITION	RED
66	18 AWG / J128-S1	IGNITION	RED
67	18 AWG / J128-S1	IGNITION	RED
68	18 AWG / J128-S1	IGNITION	RED
69	18 AWG / J128-S1	IGNITION	RED
70	18 AWG / J128-S1	IGNITION	RED
71	18 AWG / J128-S1	IGNITION	RED
72	18 AWG / J128-S1	IGNITION	RED
73	18 AWG / J128-S1	IGNITION	RED
74	18 AWG / J128-S1	IGNITION	RED
75	18 AWG / J128-S1	IGNITION	RED
76	18 AWG / J128-S1	IGNITION	RED
77	18 AWG / J128-S1	IGNITION	RED
78	18 AWG / J128-S1	IGNITION	RED
79	18 AWG / J128-S1	IGNITION	RED
80	18 AWG / J128-S1	IGNITION	RED
81	18 AWG / J128-S1	IGNITION	RED
82	18 AWG / J128-S1	IGNITION	RED
83	18 AWG / J128-S1	IGNITION	RED
84	18 AWG / J128-S1	IGNITION	RED
85	18 AWG / J128-S1	IGNITION	RED
86	18 AWG / J128-S1	IGNITION	RED
87	18 AWG / J128-S1	IGNITION	RED
88	18 AWG / J128-S1	IGNITION	RED
89	18 AWG / J128-S1	IGNITION	RED
90	18 AWG / J128-S1	IGNITION	RED
91	18 AWG / J128-S1	IGNITION	RED
92	18 AWG / J128-S1	IGNITION	RED
93	18 AWG / J128-S1	IGNITION	RED
94	18 AWG / J128-S1	IGNITION	RED
95	18 AWG / J128-S1	IGNITION	RED
96	18 AWG / J128-S1	IGNITION	RED
97	18 AWG / J128-S1	IGNITION	RED
98	18 AWG / J128-S1	IGNITION	RED
99	18 AWG / J128-S1	IGNITION	RED
100	18 AWG / J128-S1	IGNITION	RED

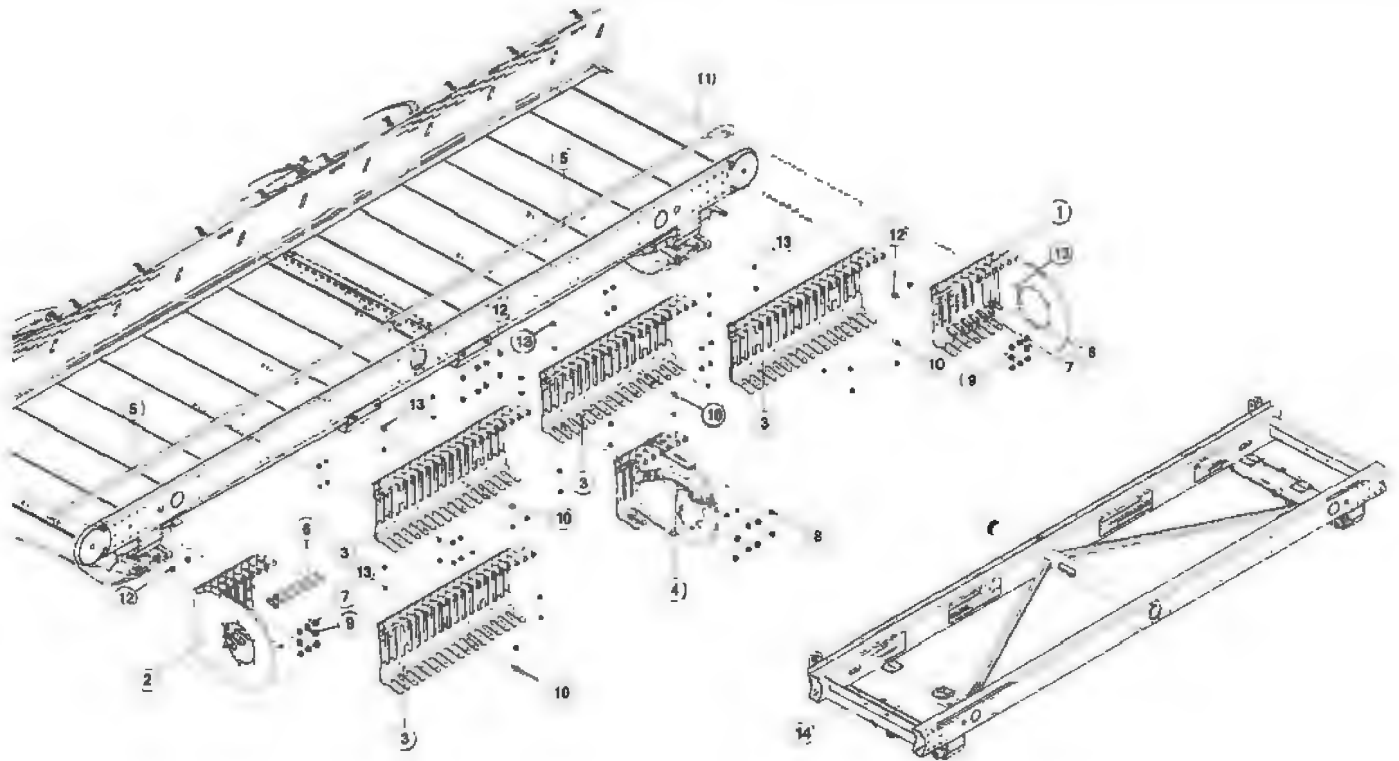


MERGER HEADS



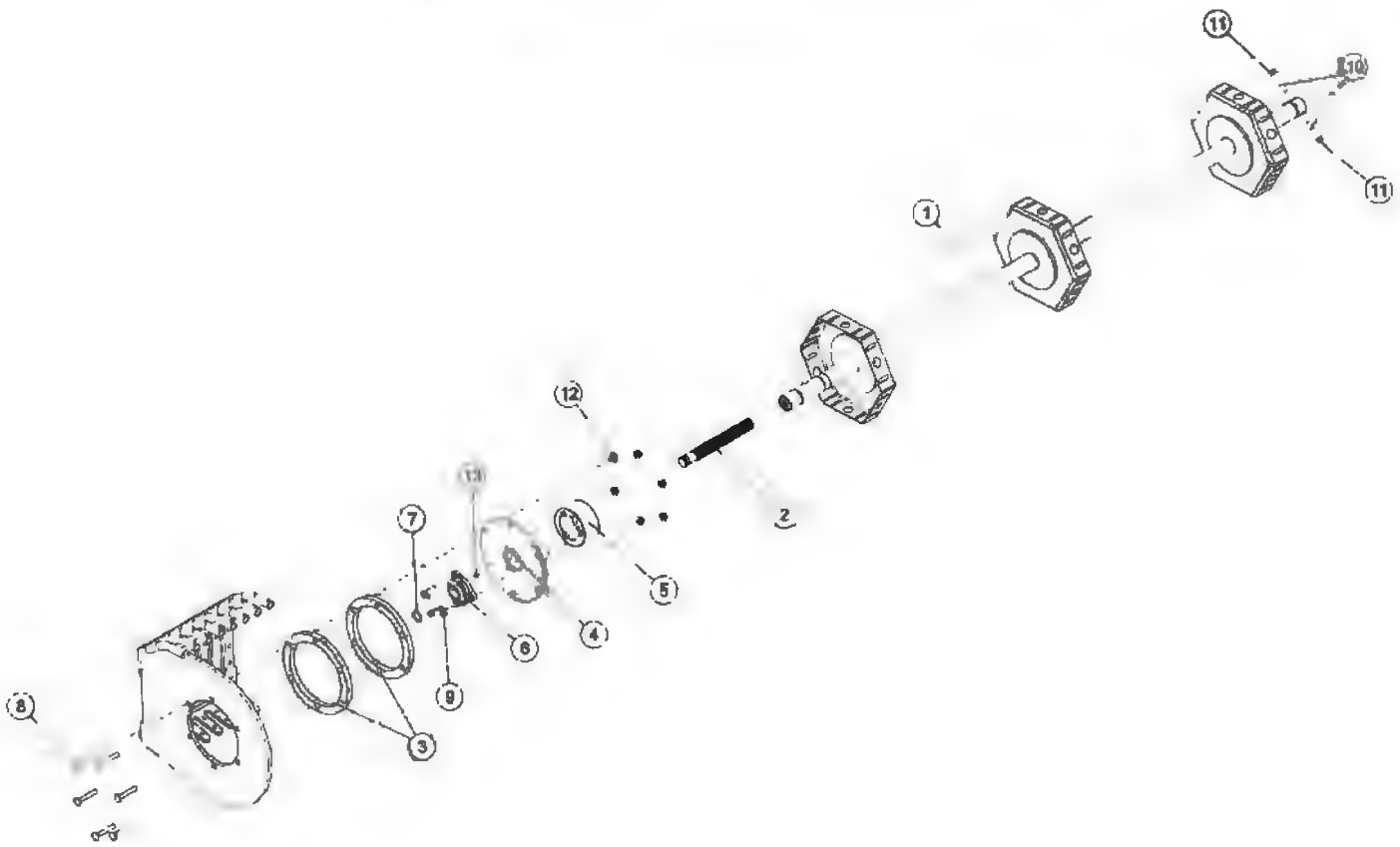
FIGURE 1

END CAPS & COMPONENTS



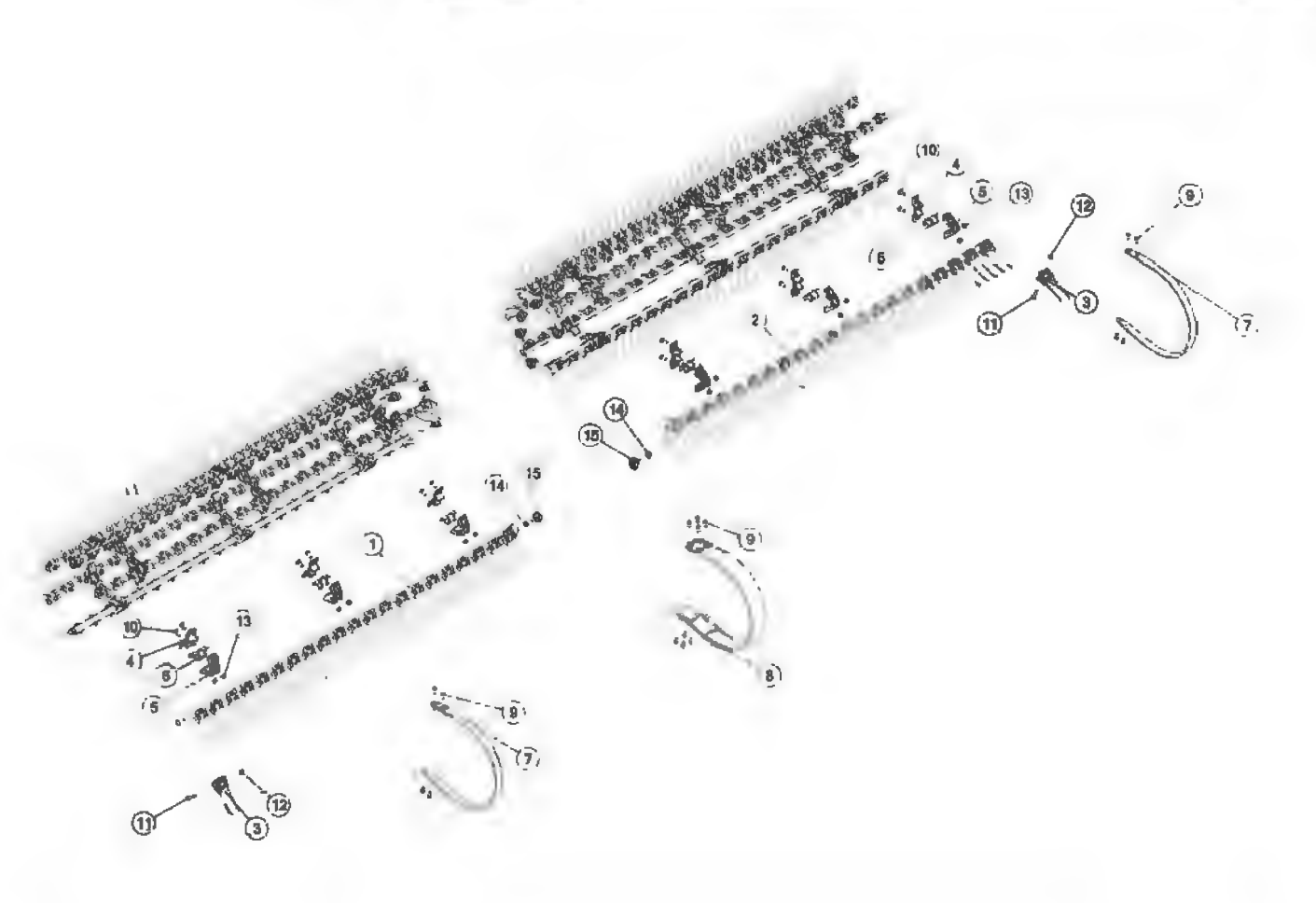
REF #	PART #	DESCRIPTION	QTY
1	85891B2	END CAP	1
2	85881B1	END CAP	1
3	94576	MOUNTING BRACKET	4
4	85863	CENTER CAM MOUNT	1
5	94747	TRANSITION PLATE	2
6	87344	BACKING PLATE	14
7	YBFB16150	BOLT FLANGE, 1/2 X 1-1/2 G5	12
8	YBFB16175	BOLT FLANGE, 1/2 X 1-3/4 G5	8
9	YBFB16125	BOLT FLANGE, 1/2 X 1-1/4 G5	4
10	YBFB12125	BOLT FLANGE, 3/8 X 1-1/4 G5	24
11	YBCR12015	BOLT CARRIAGE, 3/8-16 X 1-1/2 G5 ZC	8
12	YNFG16003	NUT FLANGE, 1/2 GF	20
13	YNFG12006	NUT FLANGE, 3/8 GF	32
14	94574	HEAD	1
*	90932	GEARBOX ASSEMBLY	2
*	94492	TINE BAR ASSEMBLY	1
*	94498	TINE BAR ASSEMBLY	1





REF #	PART #	DESCRIPTION	QTY
1	94501B	REEL WELDMENT	1
2	83466	SPLINE SHAFT	1
3	83408	LARGE SPACE	2
4	83407	BEARING MOUNT	1
5	59143	ANTI WRAP GUARD	1
6	TFM50	HEAD IDLER BEARING	1
7	F73	SNAP RING, 1-1/4	1
8	YBCR16038	BOLT CARRIAGE, 1/2-13 X 3-1/4, G5, ZC	6
9	YBFB12175	BOLT FLANGE, 3/8 X 1-3/4 G5	3
10	YSKP12005	SET SCREW, SOCKET, KNURLED CUP PT, 3/8-16 X 1	2
11	YNFG12006	NUT FLANGE, 3/8 GF	2
12	YNFG16003	NUT FLANGE, 1/2 GF	6
13	GM503	GREASE ZERK 60104 90 DEGREE	1





REF #	PART #	DESCRIPTION	QTY
1	94493	TINE BAR	6
2	94499	TINE BAR	6
3	SPMMS00	RUBBER TINE	252
4	SPMMS16	BEARING HOUSING BOTTOM	126
5	SPMMS17	BEARING HOUSING TOP	36
6	97179	TINE BAR WEAR SLEEVE	36
7	SPMMS13	HAY STRIPPER, INJECTION MOLDED	86
8	SPMPL04	CENTER HAY STRIPPER	1
9	YSHW10005	THREAD CUTTING SCREW, 5/16 X 1	352
10	YBCR14005	BOLT CARRIAGE, FT, 7/16-14 X 1-1/4, A, ZC	72
11	YBFB12200	BOLT FLANGE, 3/8 X 2 G5	252
12	YNFG12006	NUT FLANGE, 3/8 GF	252
13	YNFG14011	NUT FLANGE, 7/16 GF	72
14	YNFG16003	NUT FLANGE, 1/2 GF	12
15	85705	CAM BEARING	12





FIGURE 4 GEARBOX ASSEMBLY

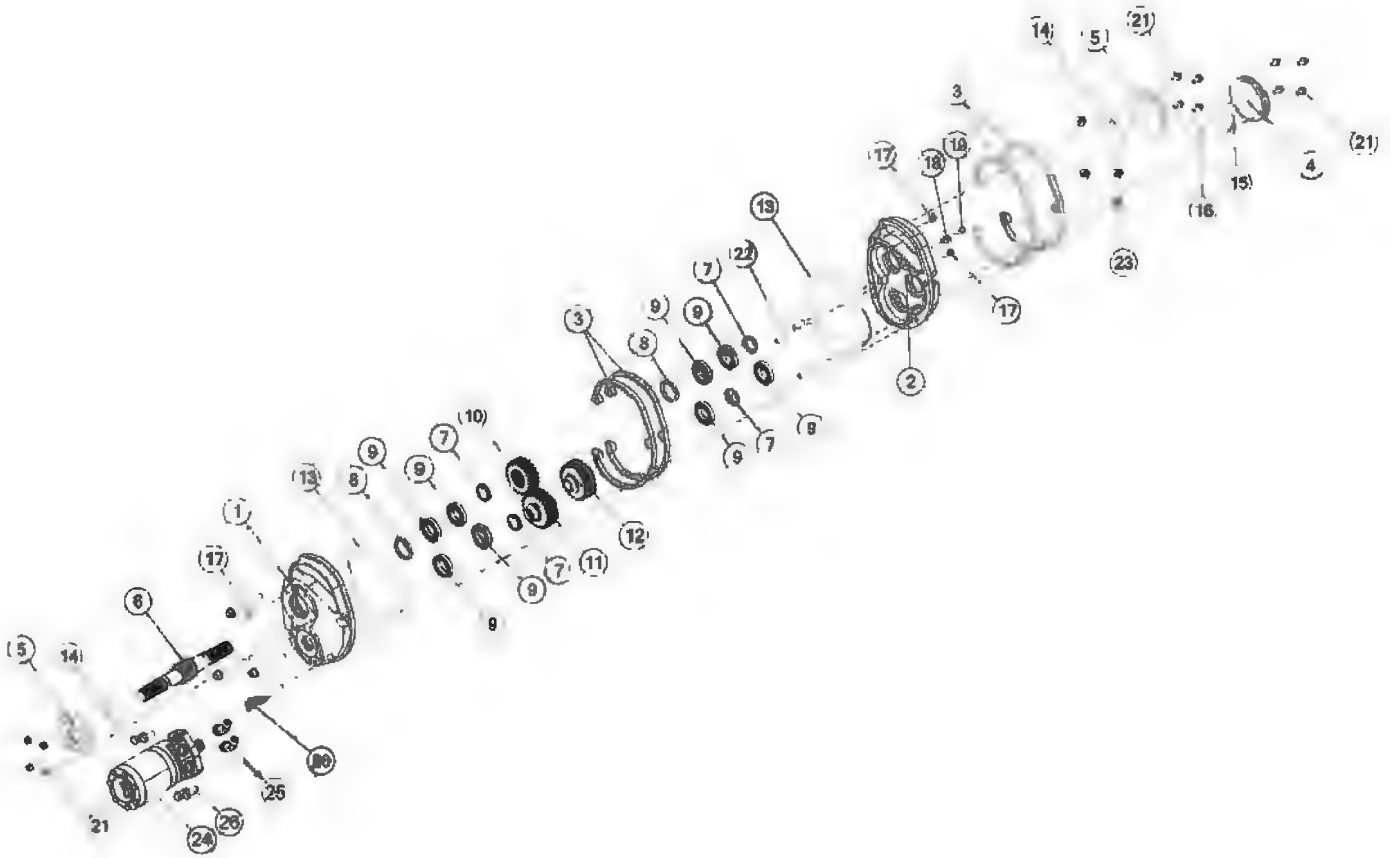




FIGURE 5

ROLLER ASSEMBLY & COMPONENTS

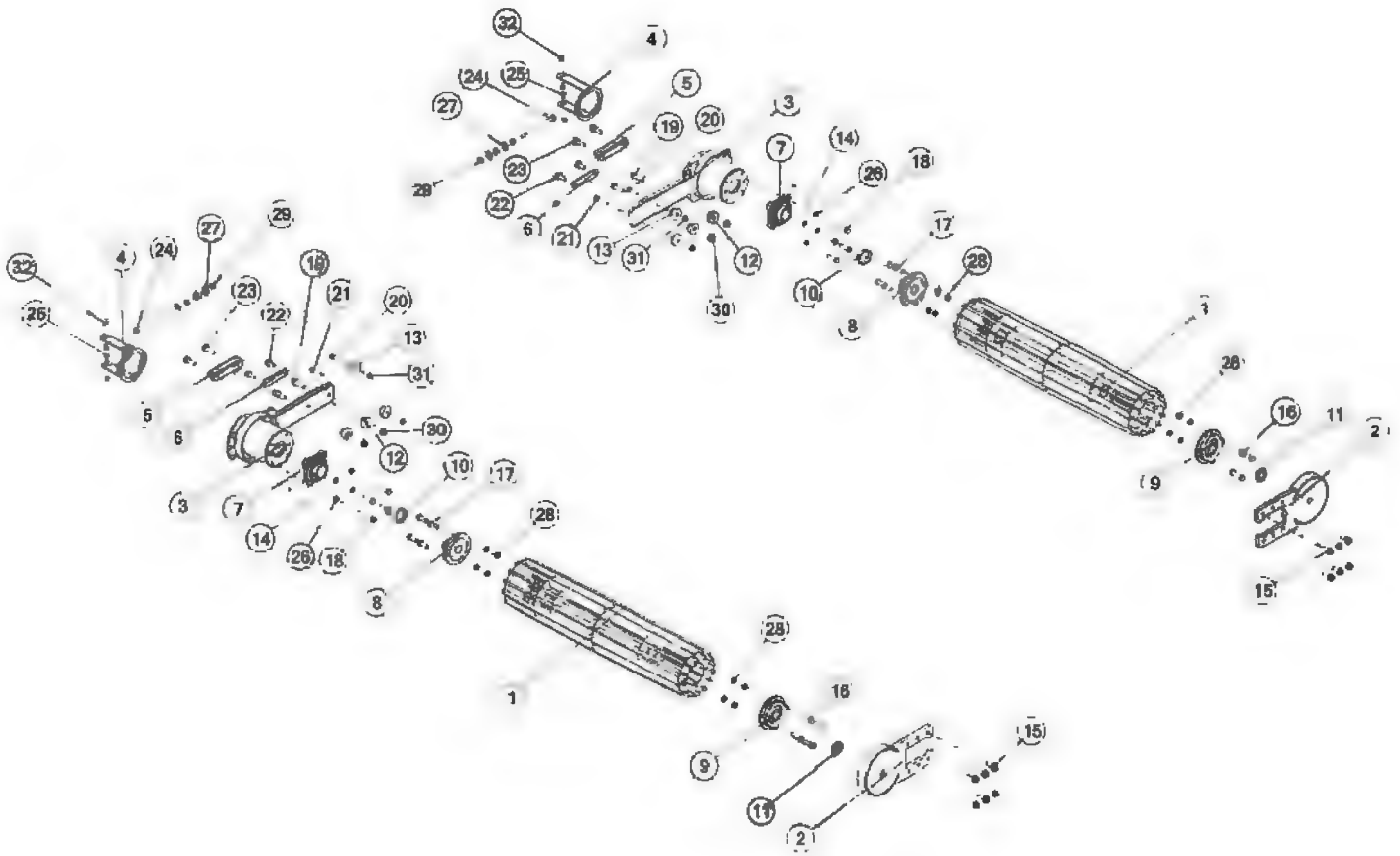




FIGURE 5

ROLLER ASSEMBLY & COMPONENTS

REF #	PART #	DESCRIPTION	QTY
1	82863	ROLLER, FLUTED, A-SECTION	2
2	96602	BEARING SUPPORT	2
3	97366	CROSS CONVEYER, DRIVE	2
4	83177	MOTOR HOLD DOWN BRACKET	2
5	96970	TENSIONING BRACKET	2
6	84034	CLAMP PLATE	2
7	60135	MOTOR HOUSING BEARING	2
*	97595	BEARING, 2	2
8	83707	REEL DRIVE HUB	2
9	TFM45	IDLER BEARING	2
*	97601	HEX BEARING INSERT, 1.25	2
10	88924	SPACER	2
11	72063	HEX SHIM, 1/4	2
12	84054	BEARING BUSHING	4
13	82850	BEARING BUSHING	4
14	YSSO12015	SET SCREW, SOCKET, 3/8-24 X 3/8	4
15	YBFB16150	BOLT FLANGE, 1/2 X 1-1/2 G5	12
16	YBHH16065	BOLT, 1/2"-13 X 2" G5	8
17	YBHH16030	BOLT, 1/2-13 X 1-1/2 G5	8
18	YBHH16055	BOLT, 1/2-13 X 1-3/4 G5	5
19	YBFB16200	BOLT FLANGE, 1/2 X 2 G5	4
20	YBFB12175	BOLT FLANGE, 3/8 X 1-3/4 G5	2
21	YBFB12225	BOLT FLANGE, 3/8 X 2-1/4 G5	2
22	YBFB16125	BOLT FLANGE, 1/2 X 1-1/4 G5	4
23	YBFB16175	BOLT FLANGE, 1/2 X 1-3/4 G5	4
24	YBHH16181	BOLT, 1/2 X 7 G5 FULL THREAD	2
25	YBCR12065	BOLT CARRIAGE, 3/8-16 X 3/4, G5, ZC	4
26	YWLO16005	WASHER, LOCK, 1/2	8
27	YWFL16005	WASHER, FLAT, 1/2 USS	4
28	YNL16005	NUT HEX, 1/2-13, LKTL, C, ZC	8
29	YNJM16005	NUT JAM, 1/2 A	6
30	YNFG16003	NUT FLANGE, 1/2 GF	4
31	YNFG12006	NUT FLANGE, 3/8 GF	2
32	YNL12005	NUT HEX, 3/8-16, LKTL, C, ZC	4





FIGURE 6
BELT PAN & COMPONENTS

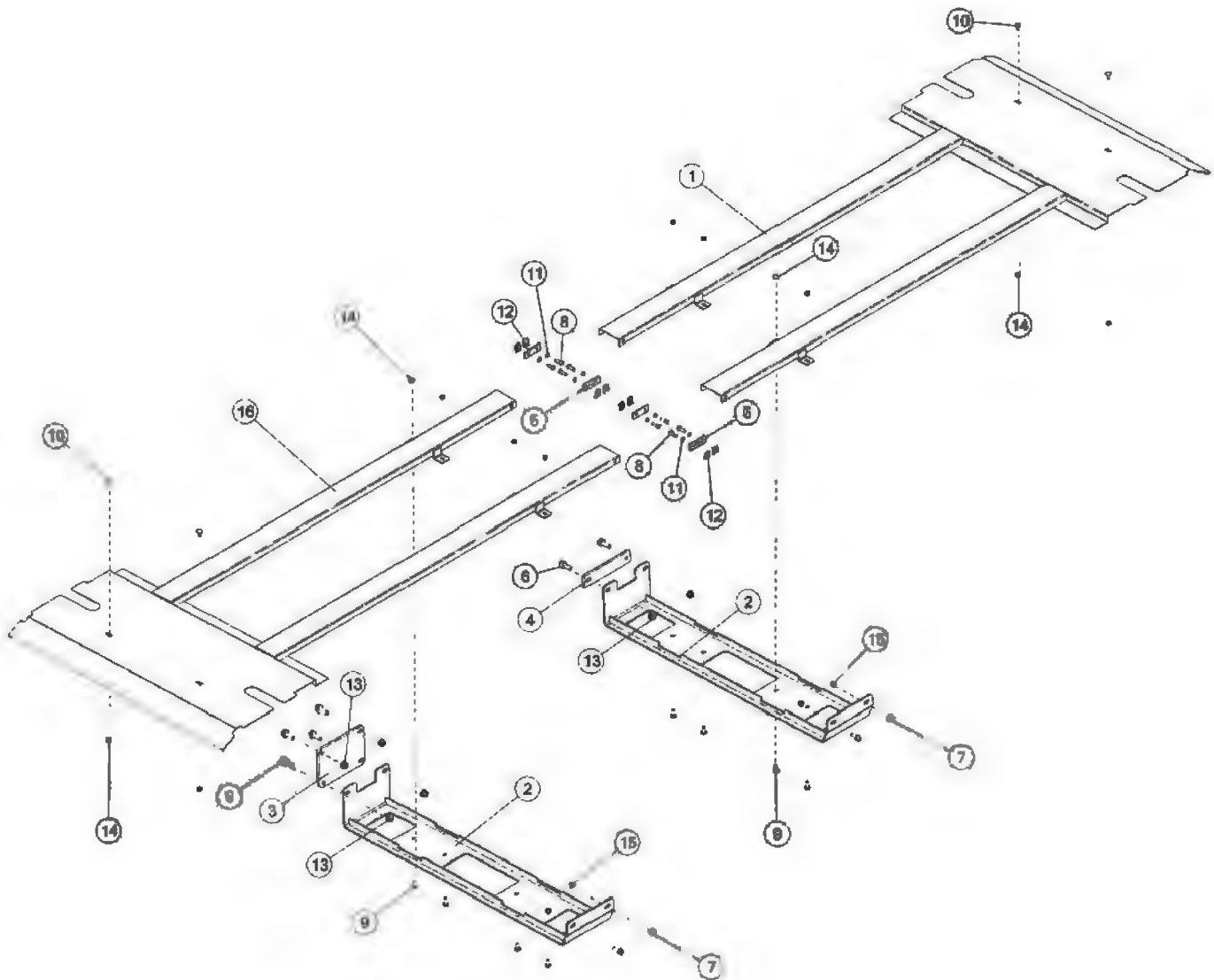




FIGURE 7 SKID SHOES & COMPONENTS

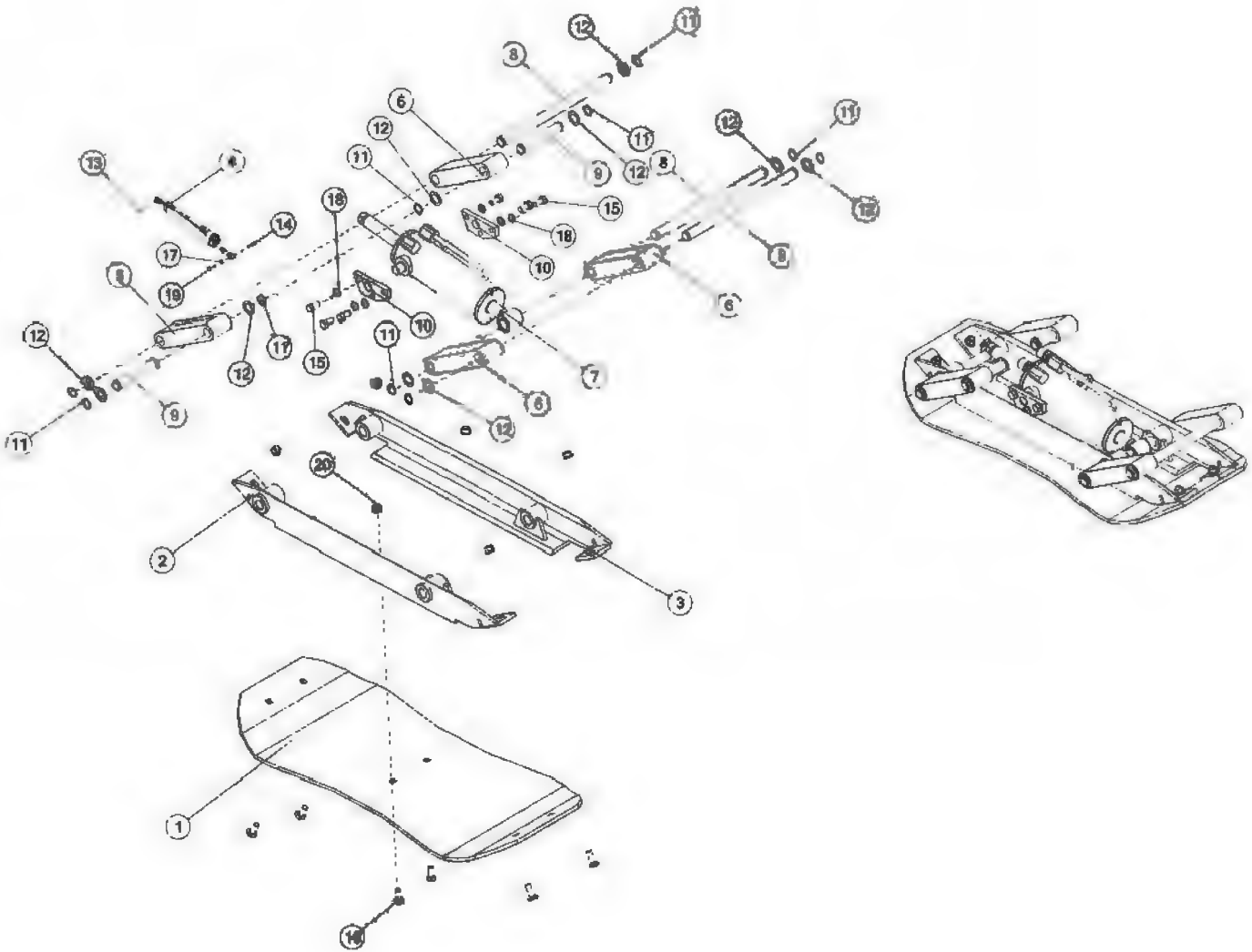


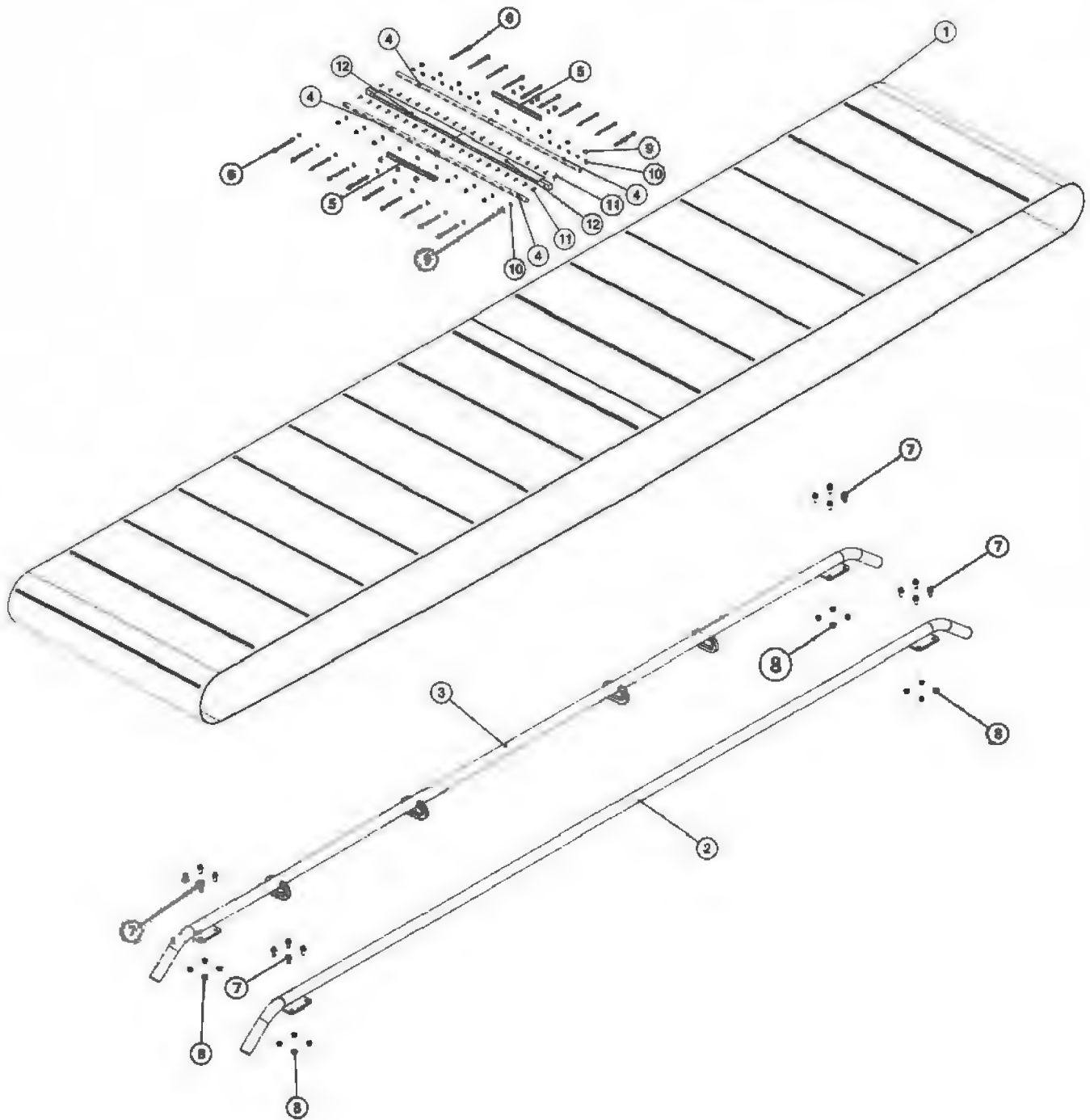


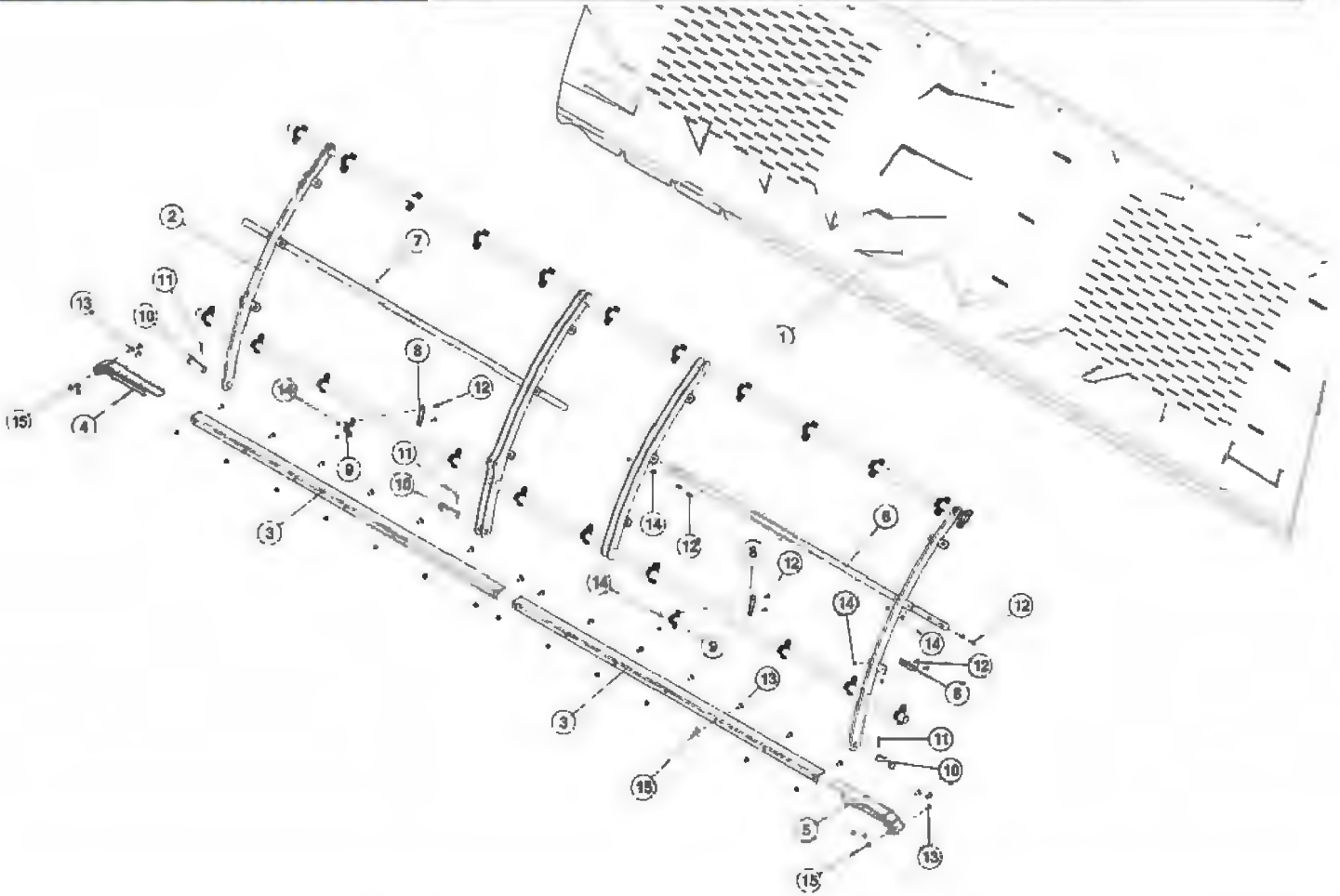
FIGURE 7

SKID SHOES & COMPONENTS

REF #	PART #	DESCRIPTION	QTY
1	71098	SKID SHOE LARGE	1
2	71325	SKID SHOE BRACKET	1
3	71324	SKID SHOE BRACKET	1
4	HS101850	HEAD HEIGHT SENSOR	1
5	79706	BRKT, SENSORED LINKAGE	1
6	86578	BRKT, SKID SHOE LINKAGE	3
7	90462	HYDRAULIC CYLINDER, 3 1/2 X 6	1
*	90463	SEAL KIT	1
8	71062	PIN, TFM LONG	3
9	71058	PIN, TFM SHORT	2
10	57435	TRUNNION PLATE	2
11	3G21	SNAP RING, 1 HEAVY DUTY	10
12	YWFL32010	WASHER FLAT, 1.5 X 1.0 X .070 ZY	10
13	YSHS64005	BOLT SOCKET, #10-24 X 1/2 BO	1
14	YSHS64015	BOLT, SOCKET, #10-24X1, BO	1
15	YBHH16010	BOLT, 1/2-13 X 1 G5	2
16	YBPL16015	BOLT, PLOW, 1/2-13 X 1-1/2 G5 ZC	1
17	YWFL64005	WASHER, FLAT, STAINLESS STEEL, 1/-8 #10	1
18	YWLO16005	WASHER, LOCK, 1/2	2
19	YNNY64005	NUT, HEX, #10-24, LKNY, G2, ZC	1
20	YNFG16005	NUT, FLANGE, 1/2-13, LKTL, G, ZC	1





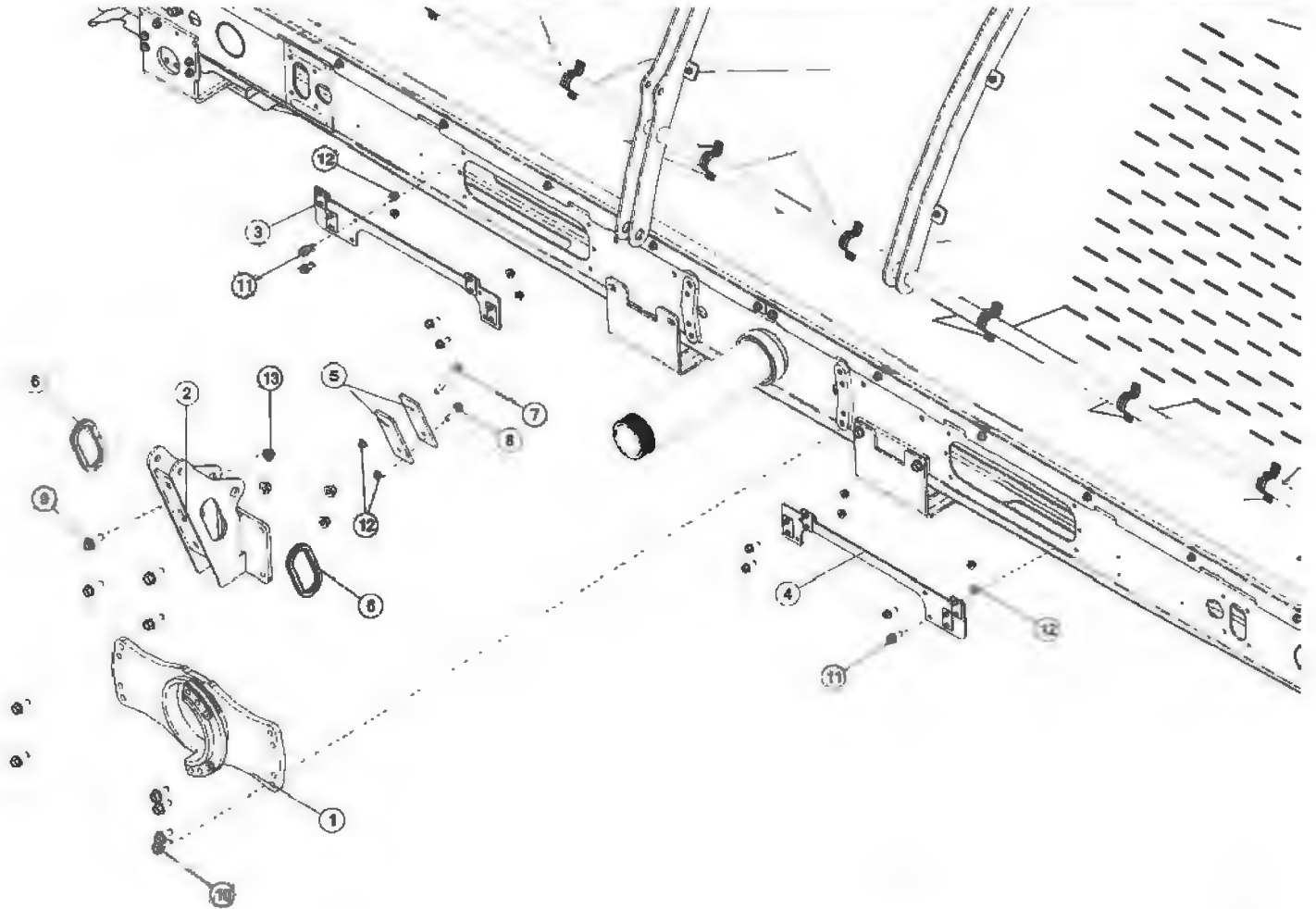


REF #	PART #	DESCRIPTION	QTY
1	94526	DEFLECTOR PANEL, LH	1
*	94534	DEFLECTOR PANEL, RH	1
2	94522	DEFLECTOR FRAME, LH	1
*	94525	DEFLECTOR FRAME, RH	1
3	94748	DEFLECTOR GUIDE PLATE	4
4	85988	BELT GUARD	2
5	85991	BELT GUARD	2
6	94528	CLAMPING STRIP, SHORT	2
7	94527	CLAMPING STRIP, LONG	2
8	84178	CLAMP PLATE	72
9	84177	TUBE CLAMP	60
10	86652	DEFLECTOR PIN	6
11	YPCT06015	COTTER PIN, 3/16 X 1-3/4	6
12	YBCR08005	BOLT CARRIAGE, 1/4-20 X 1.00, G5, ZC	144
13	YBCR12010	BOLT CARRIAGE, 3/8-16 X 1.00, G5, ZC	40
14	YNFG08010	NUT FLANGE, 1/4 GF	144
15	YNFG12006	NUT FLANGE, 3/8 GF	40



FIGURE 10

HEAD CYLINDER MOUNT & COMPONENTS



REF #	PART #	DESCRIPTION	QTY
1	92105	LOCKING BRACKET	2
2	83920	CYLINDER MOUNT	2
3	96408	MOUNTING BRACKET, HYD	2
4	96410	MOUNTING BRACKET, HYD	2
5	96036	PLATE	4
6	93450	EDGING TWIN FLEX	4
7	YBFB12300	BOLT FLANGE, 3/8 X 3 G5	2
8	YBFB12150	BOLT FLANGE, 3/8 X 1-1/2 G5	2
9	YBFB16150	BOLT FLANGE, 1/2 X 1-1/2 G5	8
10	YBFB16125	BOLT FLANGE, 1/2 X 1-1/4 G5	12
11	YBFB12003	BOLT FLANGE, 3/8 X 1 G5	16
12	YNFG12006	NUT FLANGE, 3/8 GF	20
13	YNFG16003	NUT FLANGE, 1/2 GF	8



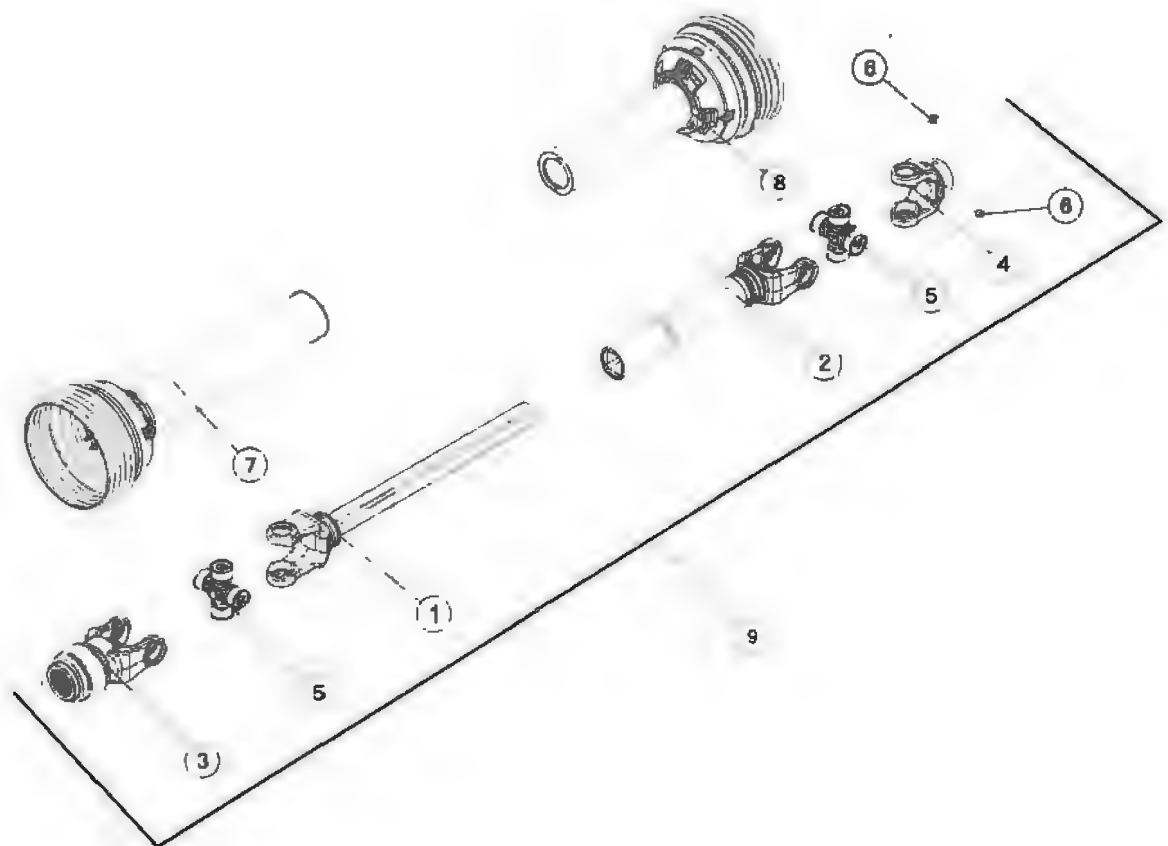
PAGE INTENTIONALLY BLANK

PTOs and OPTIONS





FIGURE 1
UFO1034LPTO
PTO 1-3/4 1000 RPM LONG

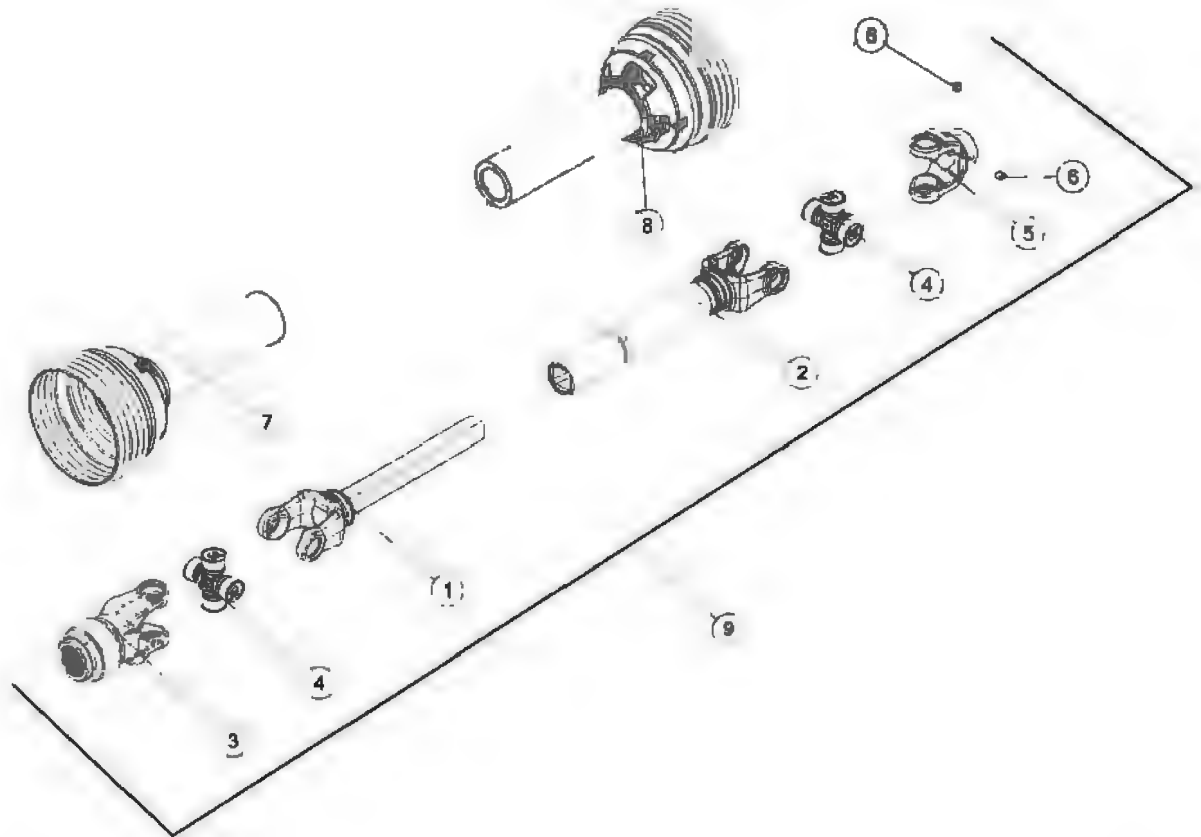


REF #	PART #	DESCRIPTION	QTY
1	91876	YOKE 35 SHAFT, FRONT	1
2	79781	YOKE, TUBE, SLIP SLEEVE	1
3	55N69	ASSY, YOKE, 35, SLIDE LOCK	1
4	79325	YOKE, 1-1/4 X 5/16	1
5	16SV179	ASSY, CROSS KIT, 35R	2
6	YSKP12025	SET SCRW, SCKE, KNURL CUP PT, 3/8-16 X 3/8	2
7	91877	PTO OUTER GUARD	1
8	79780	PTO INNER GUARD	1
9	91888	COMPLETE PTO, 1-3/4 1000 RPM	1



FIGURE 2

UFO1034PTO
PTO 1-3/4 1000 RPM STANDARD

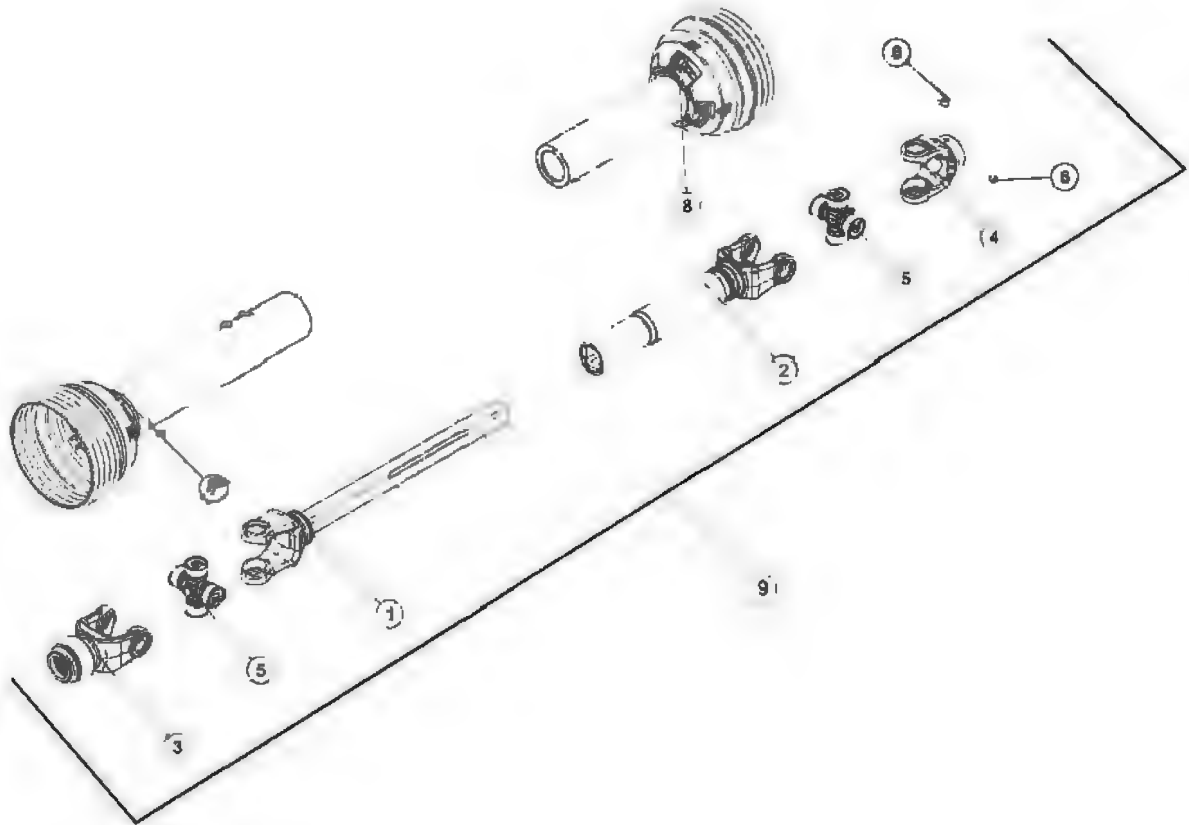


REF #	PART #	DESCRIPTION	QTY
1	79321	YOKE, SHAFT, FRONT	1
2	79322	YOKE, TUBE, SLIP SLEEVE	1
3	55N69	ASSY, YOKE, 35, SLIDE LOCK	1
4	16SV179	ASSY, CROSS KIT, 35R	2
5	79325	YOKE, 1-1/4 X 5/16	1
6	YSKP12025	SET SCRW, SCKT, KNURL CUP PT, 3/8-16 X 3/8	2
7	79326	PTO OUTER GAURD	1
8	79327	PTO INNER GUARD	1
9	79312	PTO, 1000, 1 3/4-20	1





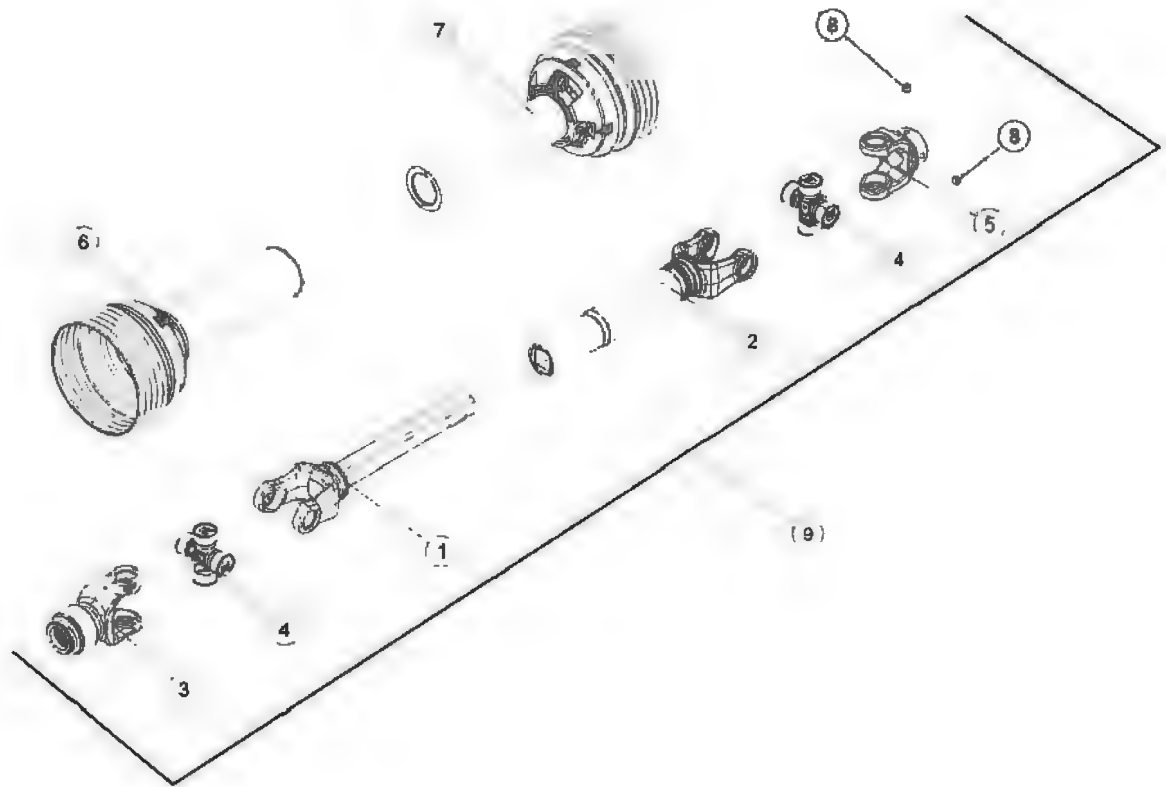
FIGURE 3
UFO1038LPTO
PTO 1-3/8 1000 RPM LONG



REF #	PART #	DESCRIPTION	QTY
1	91876	YOKE 35 SHAFT, FRONT	1
2	79781	YOKE, TUBE, SLIP SLEEVE	1
3	55N68	ASSY, YOKE, 35, SLIDE LOCK	1
4	79325	YOKE, 1-1/4 X 5/16	1
5	16SV179	ASSY, CROSS KIT, 35R	2
6	YSKP12025	SET SCRW, SCKT, KNURL CUP PT, 3/8-16 X 3/8	2
7	91877	PTO OUTER GUARD	1
8	79780	PTO INNER GUARD	1
9	91879	COMPLETE PTO, 1-3/8 1000 RPM	1



FIGURE 4
UFO1038PTO
PTO 1-3/8 1000 RPM STANDARD

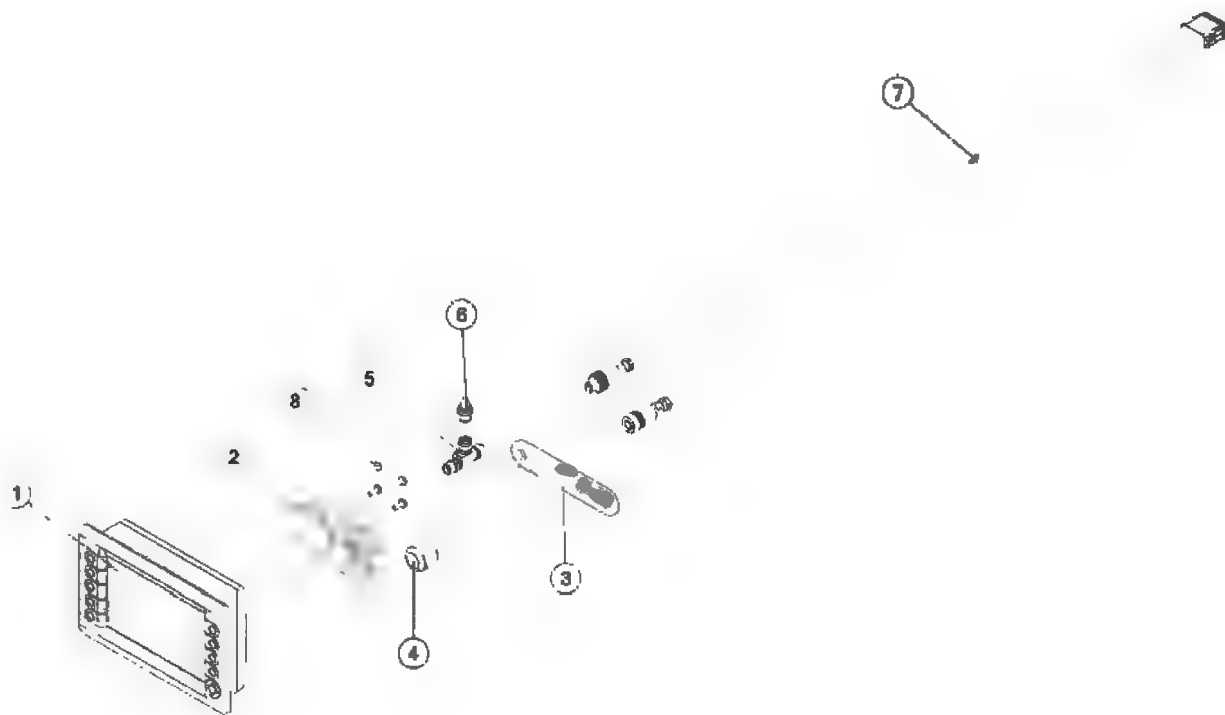


REF #	PART #	DESCRIPTION	QTY
1	79779	YOKE, SHAFT, FRONT	1
2	79781	YOKE, TUBE, SLIP SLEEVE	1
3	55N68	ASSY, YOKE, 35, SLIDE LOCK	1
4	16SV179	ASSY, CROSS KIT, 35R	2
5	79325	YOKE, 1-1/4 X 5/16	1
6	79778	PTO OUTER GAURD	1
7	79780	PTO INNER GUARD	1
8	YSKP12025	SET SCRW, SCKT, KNURL CUP PT, 3/8-16 X 3/8	2
9	79311	PTO, 1000, 1 3/8-21	1





FIGURE 5
OPTIONAL IN CAB DISPLAY
(TFOICC)







Manufactured By:

H&S MANUFACTURING CO., INC.

2608 S. HUME AVE. MARSHFIELD, WI 54449
(715) 387-3414 | hsmfgco.com

