



PARTS BOOK

**TF6132
MERGER**

Part #94538
Rev. #05
HSMFG123124

Starting Ser. # 521TF63201

FIGURE #	CONTENTS	PAGE #
*	INSTRUCTIONS FOR ORDERING PARTS	1
1	ROTARY SENSOR & COMPONENTS	2-3
2	HITCH & COMPONENTS	4-5
3	FRONT POLE & COMPONENTS	6-7
4	FILTER & COMPONENTS	8-9
5	AXLE & COMPONENTS	10-13
6	RIGHT PIVOT ARM & COMPONENTS	14-15
7	LEFT PIVOT ARM & COMPONENTS	16-17
8	RIGHT LIFT ARM & COMPONENTS	18-19
9	LEFT LIFT ARM & COMPONENTS	20-21
10	HYDRAULIC PUMP & COMPONENTS	22-25
11	HYDRAULICS & COMPONENTS	26-27
12	HYDRAULICS & COMPONENTS	28-29
13	ACCUMULATOR & COMPONENTS	30-31
14	STEERING HYDRAULICS & COMPONENTS	32-33
15	MAIN HEAD MANIFOLD & COMPONENTS	34-35
16	STEERING MANIFOLD & COMPONENTS	36-37
17	BELT CONTROL MANIFOLD & COMPONENTS	38-39
18	HYDRAULIC MANIFOLD	40-41
19	LEFT HEAD HYDRAULICS & COMPONENTS	42-45
20	RIGHT HEAD HYDRAULICS & COMPONENTS	46-49
21	LIGHTS & COMPONENTS	50-51
22	ELECTRICAL	52-53
23-24	FUSE BLOCKS, FRONT ISO HARNESS, WIRING HARNESS	54-63
	BLANK PAGE/HEADS	64
1	END CAPS & COMPONENTS	65
2	REEL & COMPONENTS	66
3	TINE BARS & COMPONENTS	67
4	GEARBOX ASSEMBLY	68-69
5	ROLLER ASSEMBLY & COMPONENTS	70-71
6	BELT PAN & COMPONENTS	72-73
7	SKID SHOES & COMPONENTS	74-75
8	BELTS & COMPONENTS	76-77
9	DEFLECTOR & COMPONENTS	78
10	HEAD CYLINDER MOUNT & COMPONENTS	79
	BLANK PAGE/PTOS / OPTIONS	80-81
1	1-3/4 1000 RPM PTO LONG (UFO1034LPTO)	82
2	1-3/4 1000 RPM PTO STD (UFO1034PTO)	83
3	1-3/8 1000 RPM LONG (UFO1038LPTO)	84
4	1-3/8 1000 RPM STD (UFO1038PTO)	85
5	OPTIONAL TFOICC - IN CAB DISPLAY	86-87



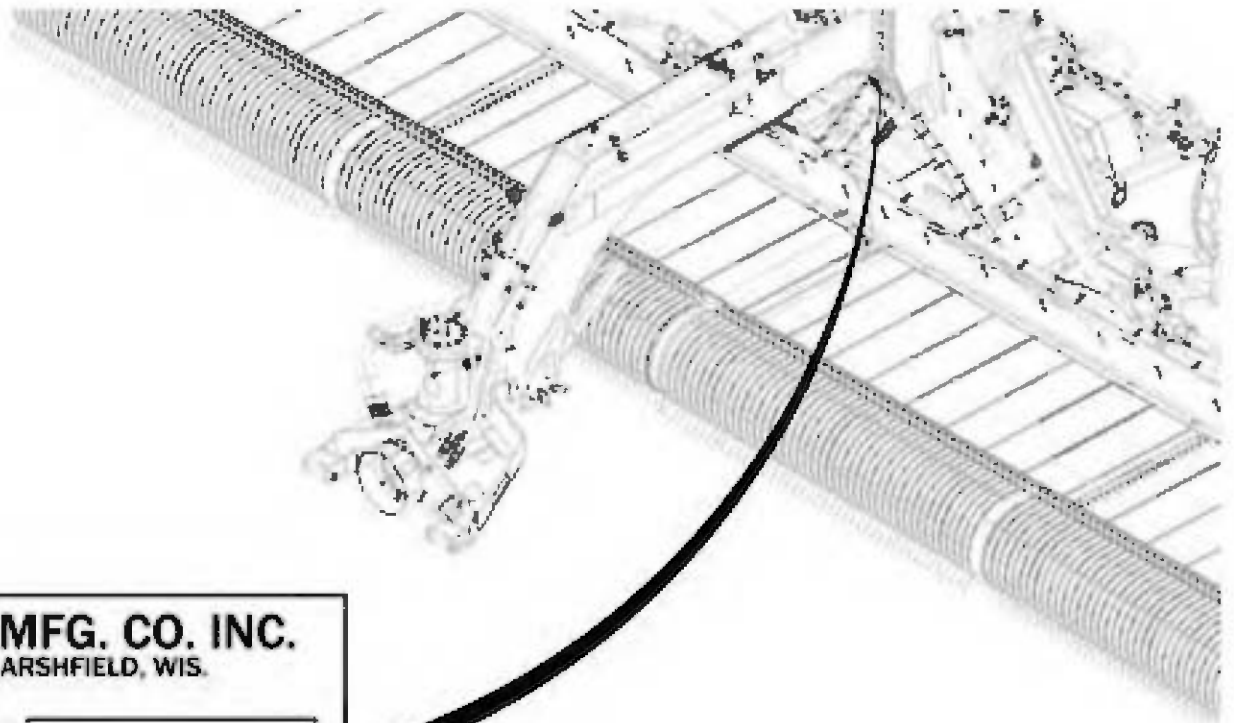
INSTRUCTIONS FOR ORDERING PARTS

All service parts should be ordered through your authorized H&S dealer. Your Dealership will be able to give you faster service if you will provide them with the following:

1. All references to left or right apply to the machine as viewed from the rear.
2. Parts should not be ordered from illustration only. Please order complete part number.
3. If your dealer has to order parts - give shipping instructions:

VIA truck - large pieces (please specify local truck lines)

VIA United Parcel Service (include full address)



H&S MFG. CO. INC. MARSHFIELD, WIS.	
MOD. NO.	<input type="text"/>
SER. NO.	<input type="text"/>
DESCR.	<input type="text"/>

PLEASE RECORD NUMBERS FOR YOUR UNIT FOR QUICK REFERENCE

H&S IS CONTINUALLY STRIVING TO IMPROVE ITS PRODUCTS

We must, therefore, reserve the right to make improvements or changes whenever it becomes practical to do so, without incurring any obligation to make changes or additions to the equipment previously sold.





FIGURE 1

ROTARY SENSOR & COMPONENTS

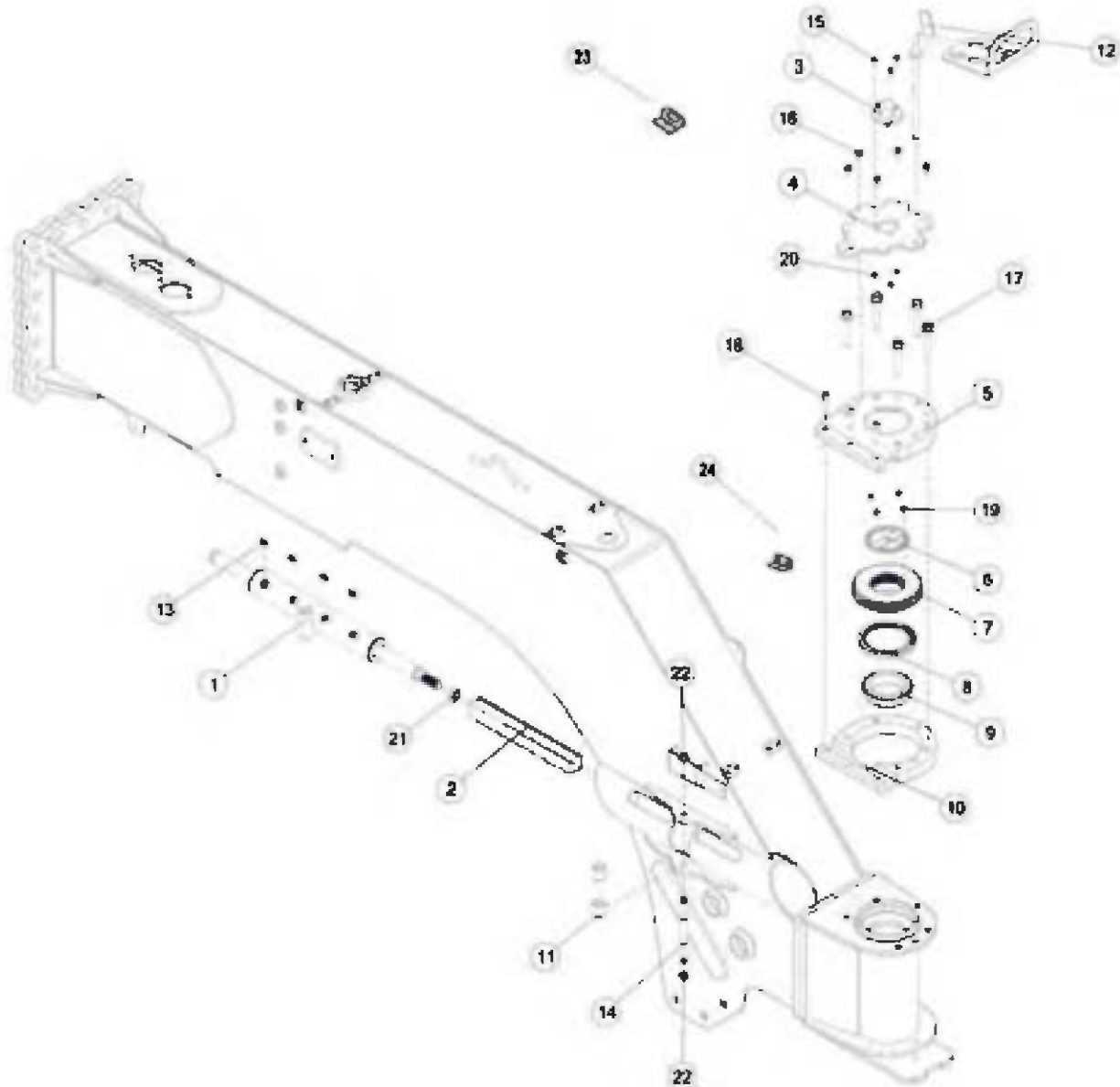




FIGURE 2

HITCH & COMPONENTS

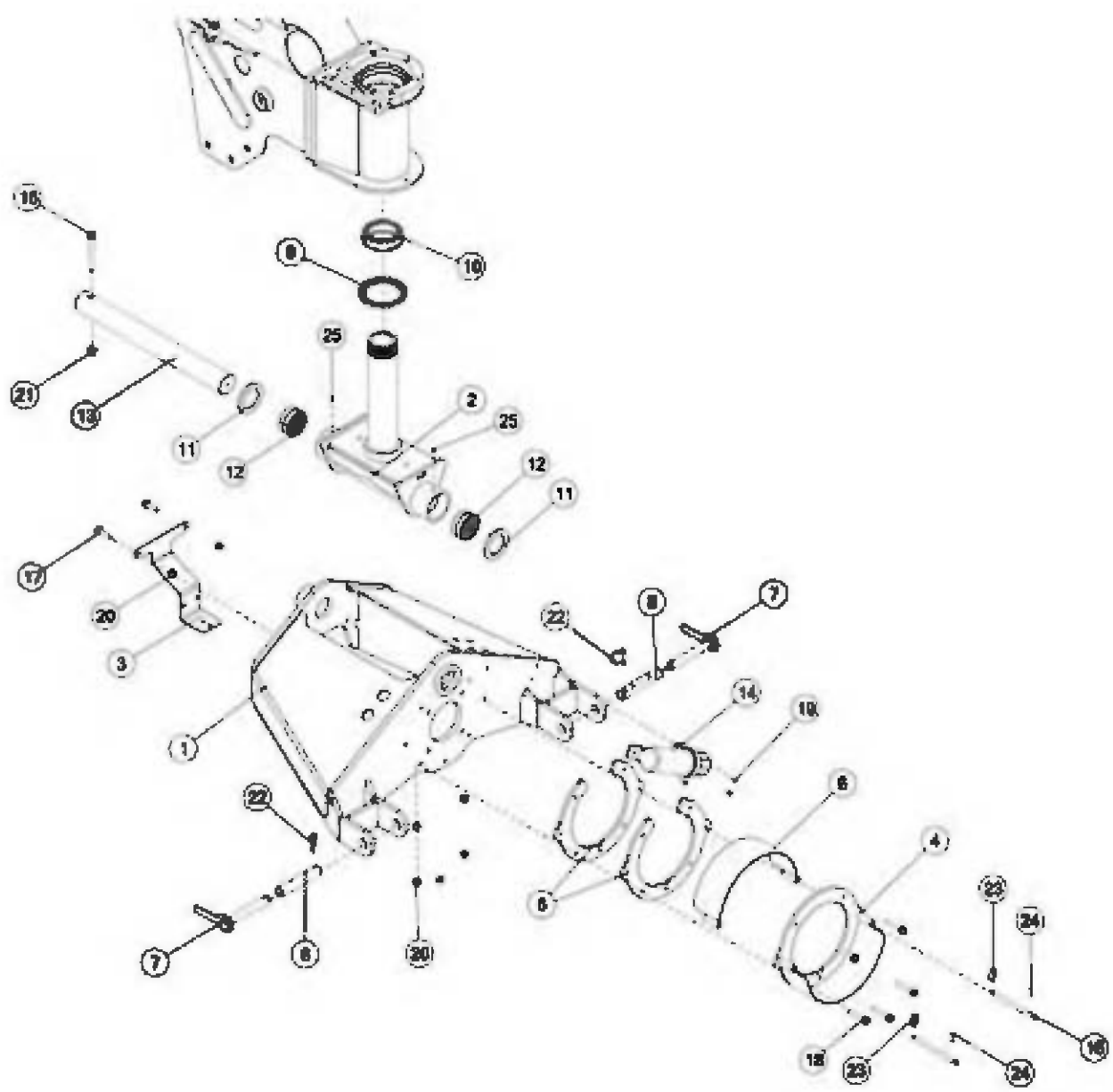




FIGURE 3
FRONT POLE & COMPONENTS

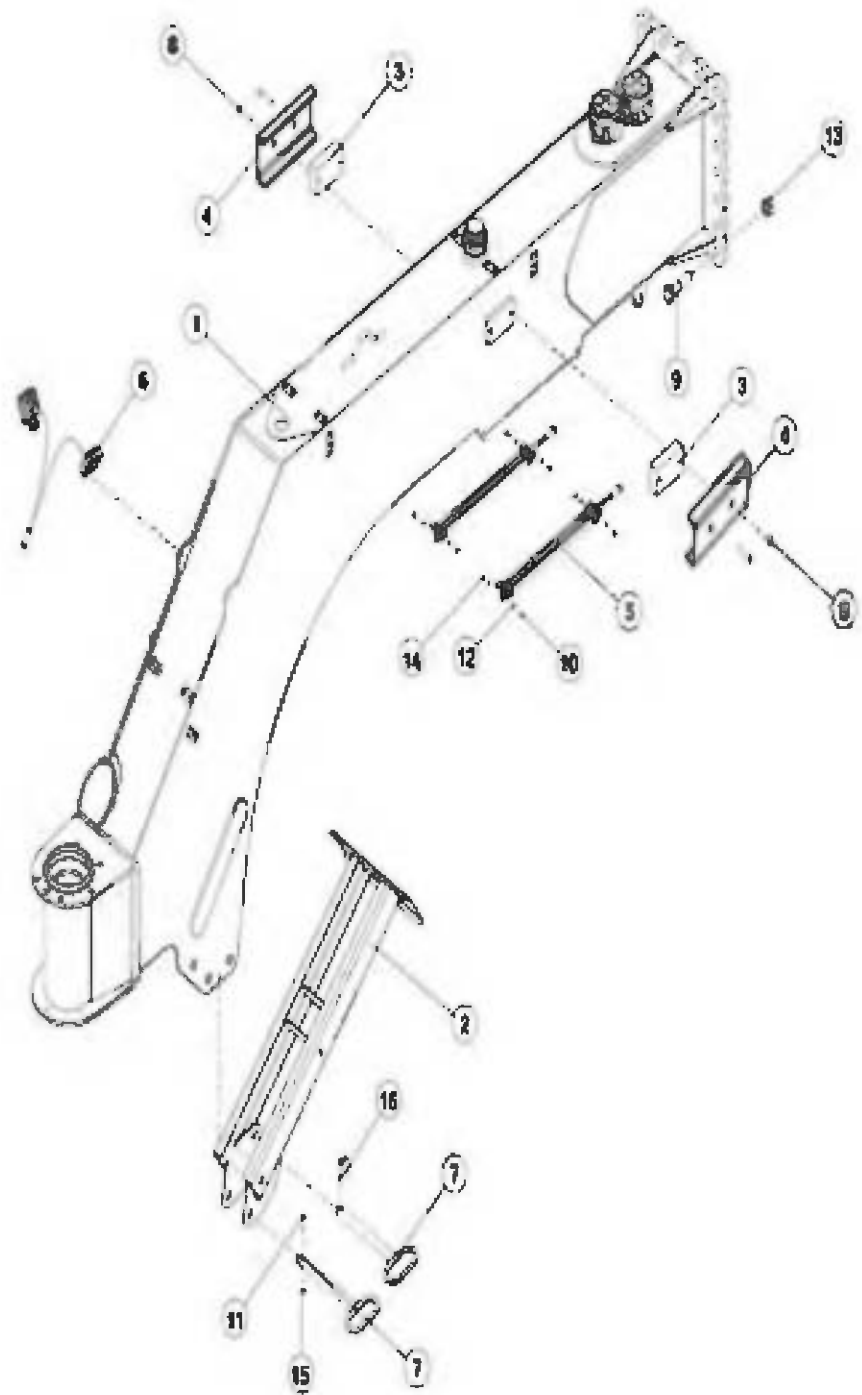




FIGURE 4
FILTER & COMPONENTS

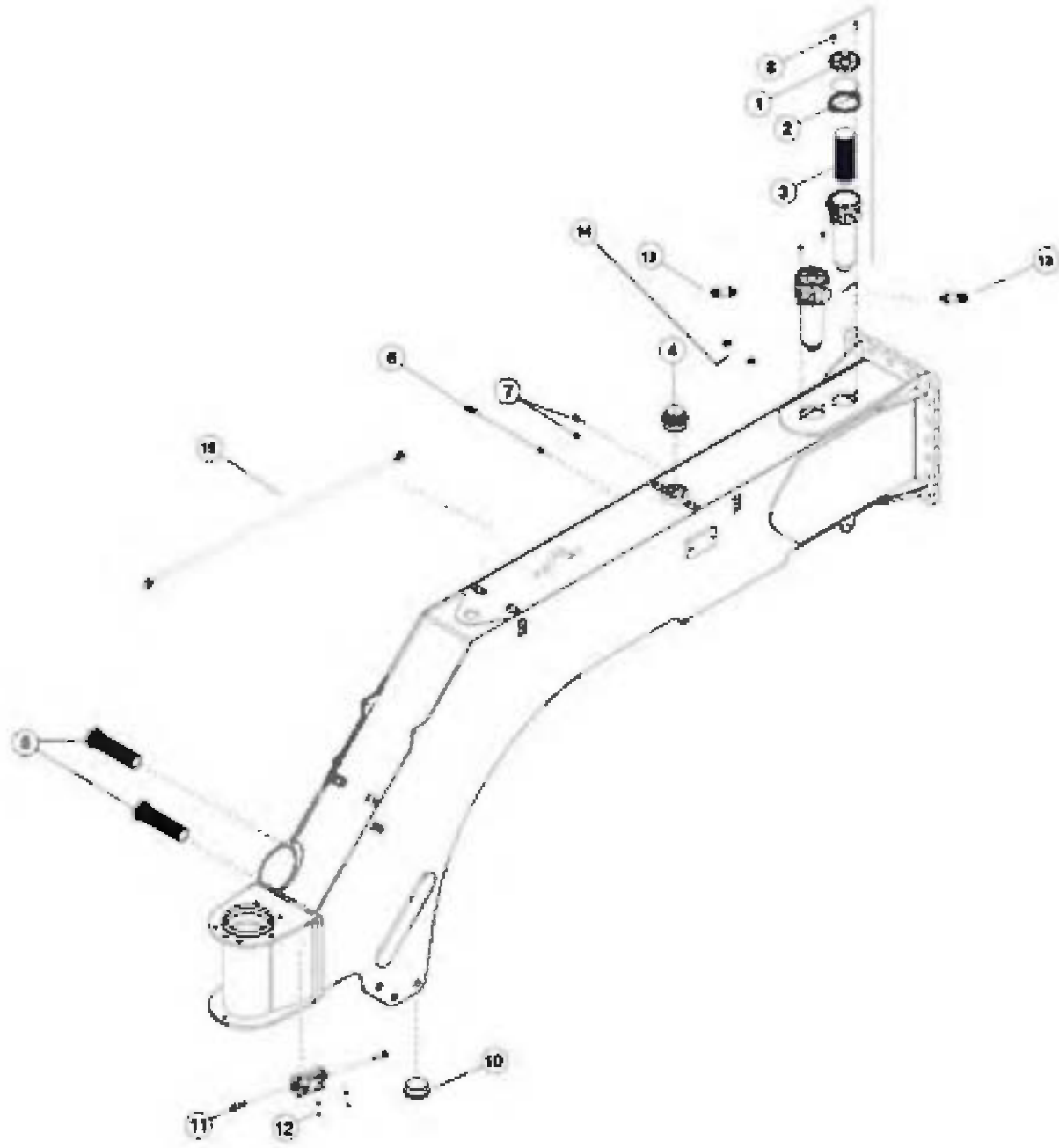




FIGURE 5

AXLE COMPONENTS

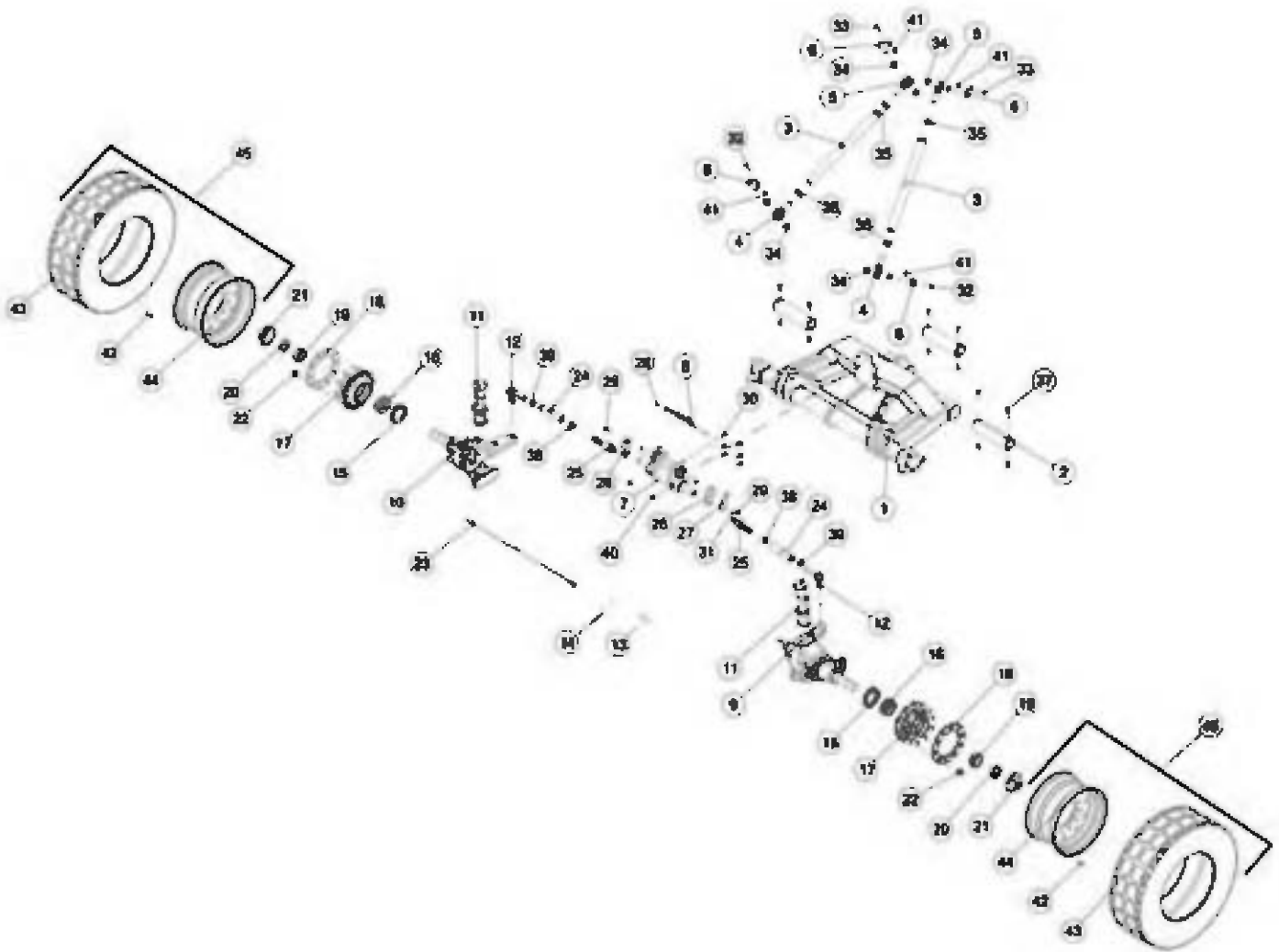




FIGURE 5

AXLE COMPONENTS

REF #	PART #	DESCRIPTION	QTY
1	95101B	AXLE WELDMENT	1
2	95208	AXLE SPINDLE	3
3	94617	STRUT ROD	2
4	TFM70	ROD END	2
5	79466	ROD END, LH	2
6	95265	AXLE PIN	4
7	92660	HYDRAULIC CYLINDER	1
*	HS101814	SEAL KIT, STEERING CYLINDER	1
8	HS102088	POSITION SENSOR	1
9	97813B	KNUCKLE WELDMENT	1
10	97798B	KNUCKLE WELDMENT	1
11	97800	KINGPIN	2
12	91513	BALL JOINT, LH THREAD	2
13	97951	PROX ARBOR	1
14	HS101647	CLAMPING BUSHING	1
15	97808	SEAL	2
16	97804	BEARING	2
17	97810	WHEEL HUB	2
18	97806	WHEEL SPACER	2
19	97805	BEARING	2
20	97801	SPINDLE NUT	2
21	97809	DUST CAP	2
22	97807	LUG NUT	20
23	HS101795	WHEEL TRIGGER	1
24	94614	TIE ROD	2
25	91164	BALL COUPLER	2
26	92455	CONNECTOR PLATE	2
27	95272	MOUNT	1
28	YBHH71008	BOLT, HEX, M5-0.8 X 12, ZC	1
29	YBFB20150	BOLT FLANGE, 5/8 X 1-1/2 G5	2
30	YBFB16125	BOLT FLANGE, 1/2 X 1-1/4 G5	6
31	YBFB12003	BOLT FLANGE, 3/8 X 1 G5	1
32	YBFB16225	BOLT FLANGE, 1/2 X 2-1/4 G5	2
33	YBFB16200	BOLT FLANGE, 1/2 X 2 G5	2
34	79149	MISSALIGNMENT SPACER	8
35	YNJM40006	NUT JAM, 1-1/2 G5, LH	2





FIGURE 5

AXLE & COMPONENTS

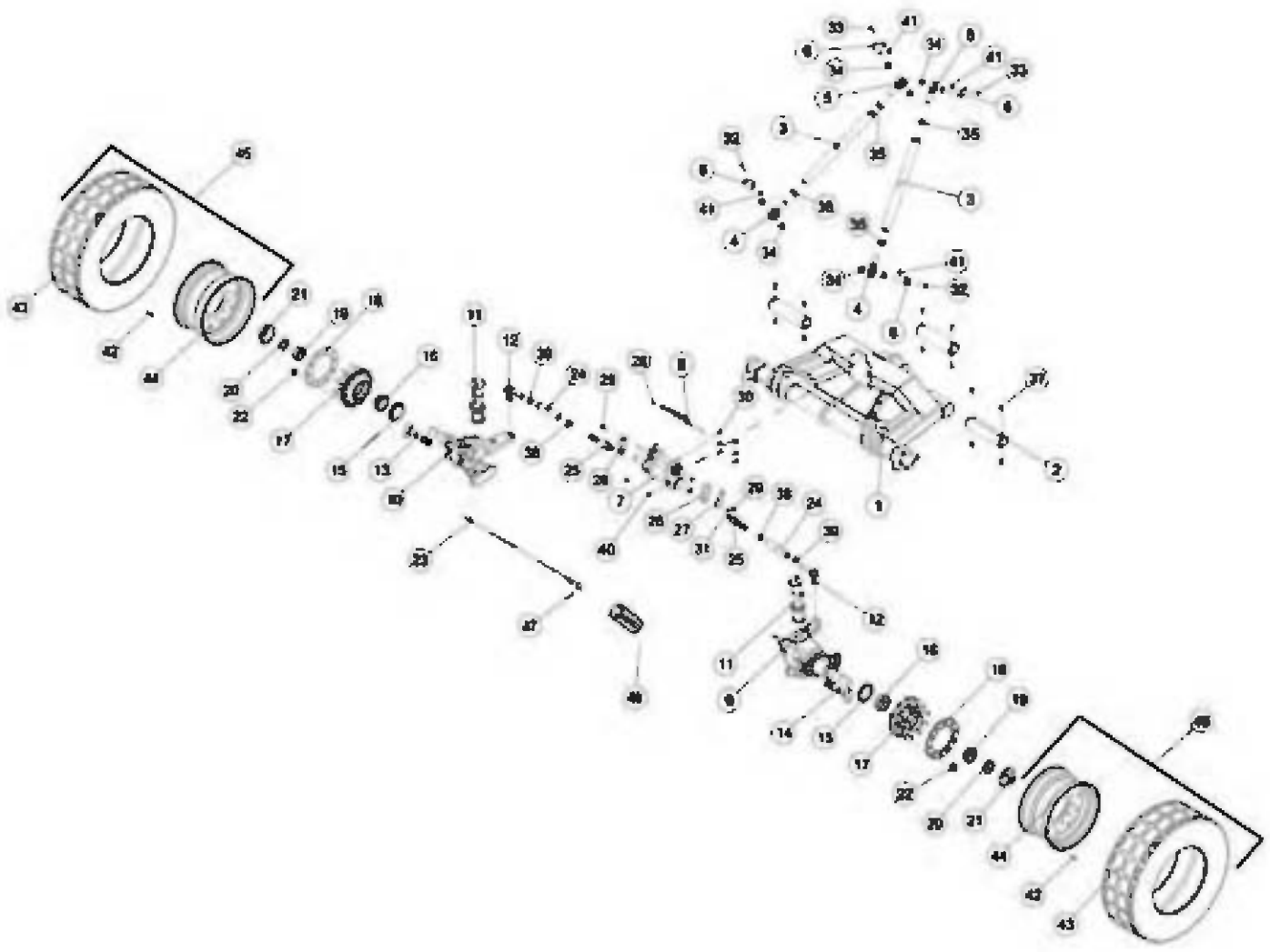




FIGURE 6

RIGHT PIVOT ARM & COMPONENTS

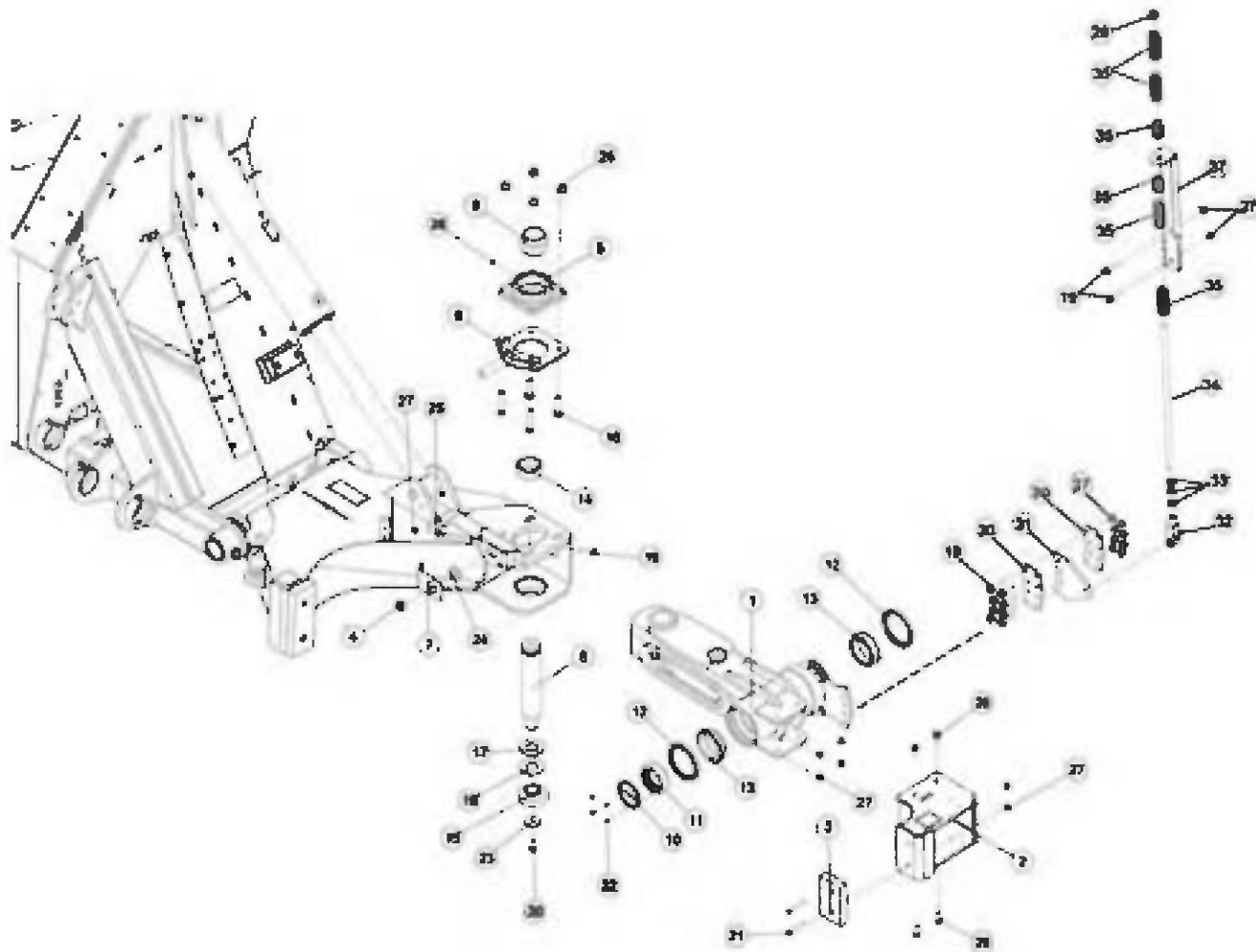




FIGURE 6

RIGHT PIVOT ARM & COMPONENTS

REF #	PART #	DESCRIPTION	QTY
1	94513	PIVOT ARM	1
2	95812B	STOP BRACKET	1
3	61077	POLY BUMPER	1
4	YNHX36005	NUT, HEX, 1-1/4 -12	1
5	1091	PITCH ADJUSTMENT BEARING	1
6	92698	TAKE UP BRACKET	1
7	92295	LOCK BRACKET	1
8	92288	PIVOT PIN	1
9	TFM54	UPPER BEARING	1
10	83819	LOCK COLLAR	1
11	83818	SPINDLE NUT	2
12	81850	SEAL	2
13	81880	TAPER BEARING, CONE, 4.000	1
14	92459	FOLD THRUST BUSHING	1
15	TFM99	PITCH ROD BALL 2.00 DIA. PIN	1
16	PTM3G75	PIN THRUST WASHER	1
17	PTMMS57	PIN THRUST WASHER BRONZE	4
18	YBCR24004	BOLT, CARR, 3/4-10 X 3-1/4, GR5, ZC	1
19	YBFB16200	BOLT FLANGE, 1/2 X 2 G5	11
20	YBFB16150	BOLT FLANGE, 1/2 X 1-1/2 G5	2
21	YSFS16055	BOLT,FLAT SOK,1/2-13X3-1/2,BO	4
22	YSBS08005	BUTTON HEAD SOCKET CAP SCREW, 1/4-20 X 1/2	1
23	PTM3G42	PIVOT THRUST WASHER	1
24	PTM3G83	PITCH THRUST WASHER	1
25	95301	SPACER	4
26	YNFG24006	NUT, FLANGE, 3/4-10, LKTL, G, ZC	17
27	YNFG16003	NUT FLANGE, 1/2 GF	1
28	BFR28	1/8" NPT GREASE ZERK	1
29	YNNY24003	NUT, HEX, 3/4-10, LKNY, G2, ZC	1
30	HS101693	GUSSET	2
31	HS101692	ROTOR PLATE	1
32	99911	CLEVIS	1
33	YNJM24010	NUT JAM, 3/4 G2	3
34	99883	THREADED ROD	1
35	BBS35	COMPRESSION SPRING	4
36	HS101588	DIE SPRING	2
37	HS101311	RT SPRING BRACKET	1





FIGURE 7

LEFT PIVOT ARM & COMPONENTS

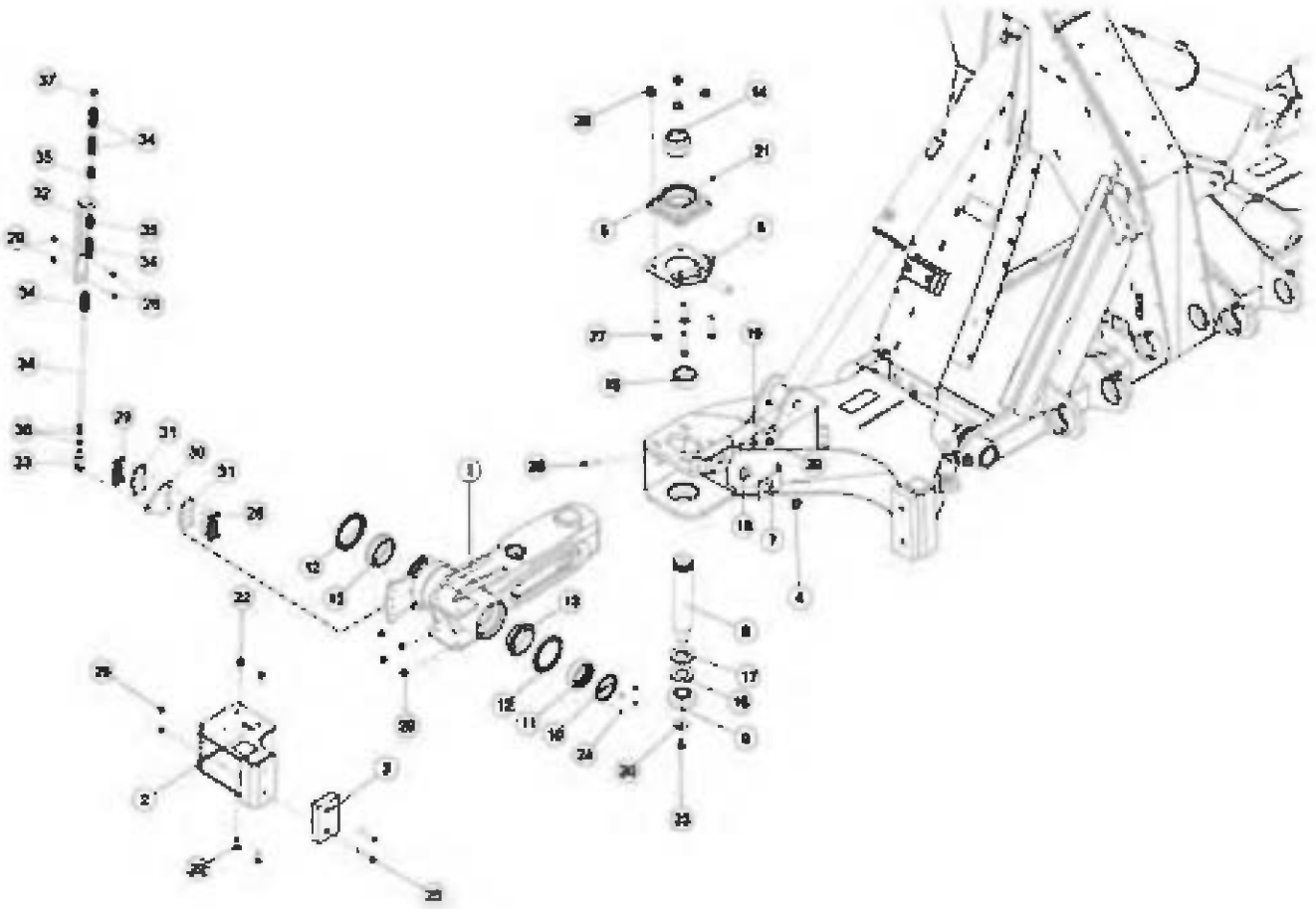




FIGURE 7

LEFT PIVOT ARM & COMPONENTS

REF #	PART #	DESCRIPTION	QTY
1	94513	PIVOT ARM	1
2	95812B	STOP BRACKET	1
3	61077	POLY BUMPER	1
4	YNHX36005	NUT, HEX, 1-1/4 -12	1
5	1091	PITCH ADJUSTMENT BEARING	1
6	92698	TAKE UP BRACKET	1
7	92295	LOCK BRACKET	1
8	92288	PIVOT PIN	1
9	TFM99	PITCH ROD BALL 2.00 DIA. PIN	1
10	83819	LOCK COLLAR	1
11	83818	SPINDLE NUT	1
12	81850	SEAL	2
13	81880	TAPER BEARING, CONE, 4.000	2
14	TFM54	UPPER BEARING	1
15	92459	FOLD THRUST BUSHING	1
16	PTM3G75	PIN THRUST WASHER	1
17	PTMMS57	PIN THRUST WASHER BRONZE	1
18	PTM3G83	PITCH THRUST WASHER	1
19	95301	SPACER	1
20	PTM3G42	PIVOT THRUST WASHER	1
21	BFR28	GREASE ZERK, 1/8 NPT	1
22	YBFB16150	BOLT FLANGE, 1/2 X 1-1/2 G5	4
23	YBFB16100	BOLT FLANGE, 1/2 X 1 G5	1
24	YSBS08005	BUTTON HEAD SOCKET CAP SCREW, 1/4-20 X 1/2	4
25	YSFS16055	BOLT,FLAT SOK,1/2-13X3-1/2,BO	2
26	YBFB16200	BOLT FLANGE, 1/2 X 2 G5	11
27	YBCR24004	BOLT, CARR, 3/4-10 X 3-1/4, GR5, ZC	4
28	YNFG24006	NUT, FLANGE, 3/4-10, LKTL, G, ZC	4
29	YNFG16003	NUT FLANGE, 1/2 GF	17
30	HS101692	ROTOR PLATE	1
31	HS101693	GUSSET	1
32	99970	LT SPRING BRACKET	1
33	99911	CLEVIS	1
34	BBS35	COMPRESSION SPRING	4
35	HS101588	DIE SPRING	2
36	YNJM24010	NUT JAM, 3/4 G2	3
37	YNNY24003	NUT, HEX, 3/4-10, LKNY, G2, ZC	1





FIGURE 8

RIGHT LIFT ARM & COMPONENTS

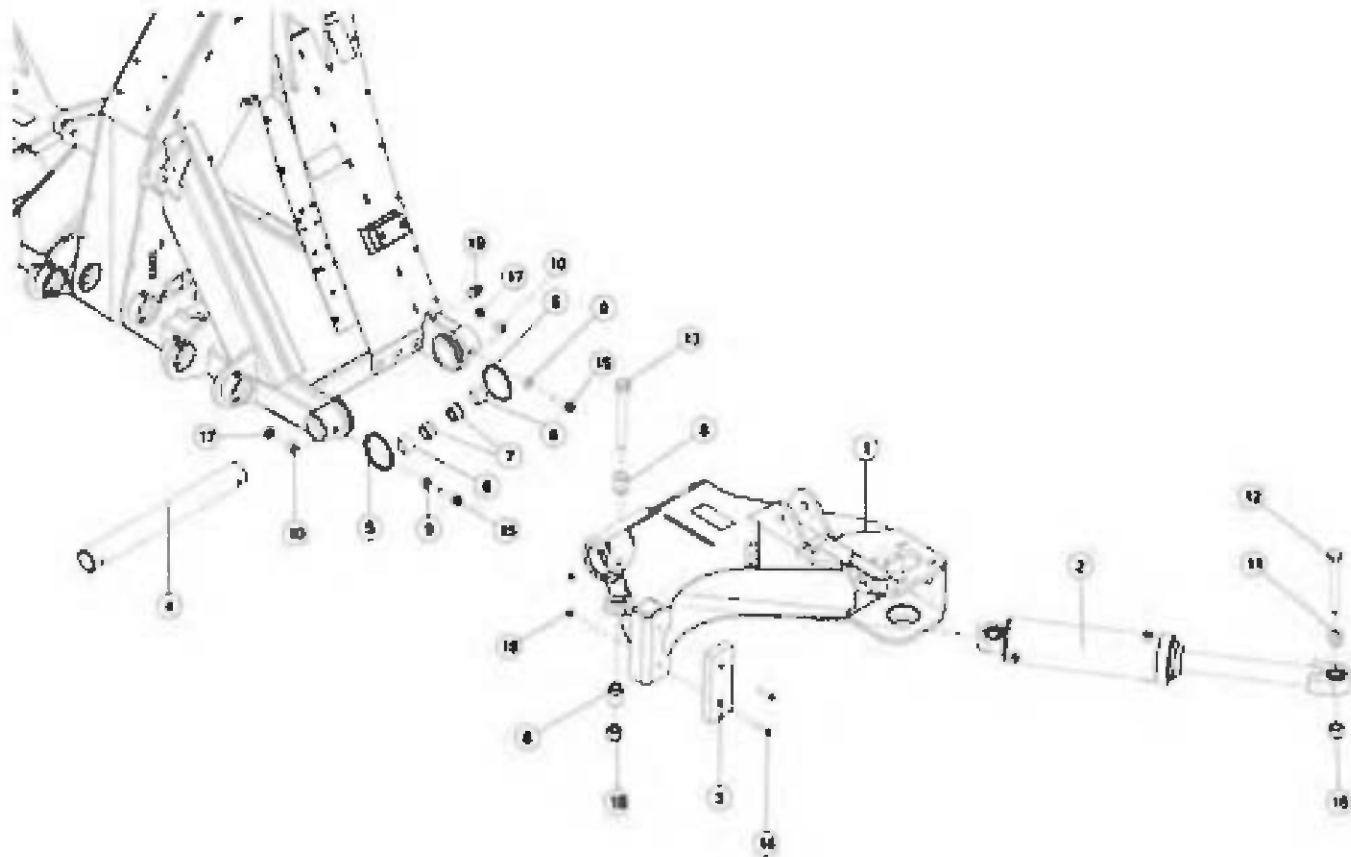




FIGURE 9

LEFT LIFT ARM & COMPONENTS

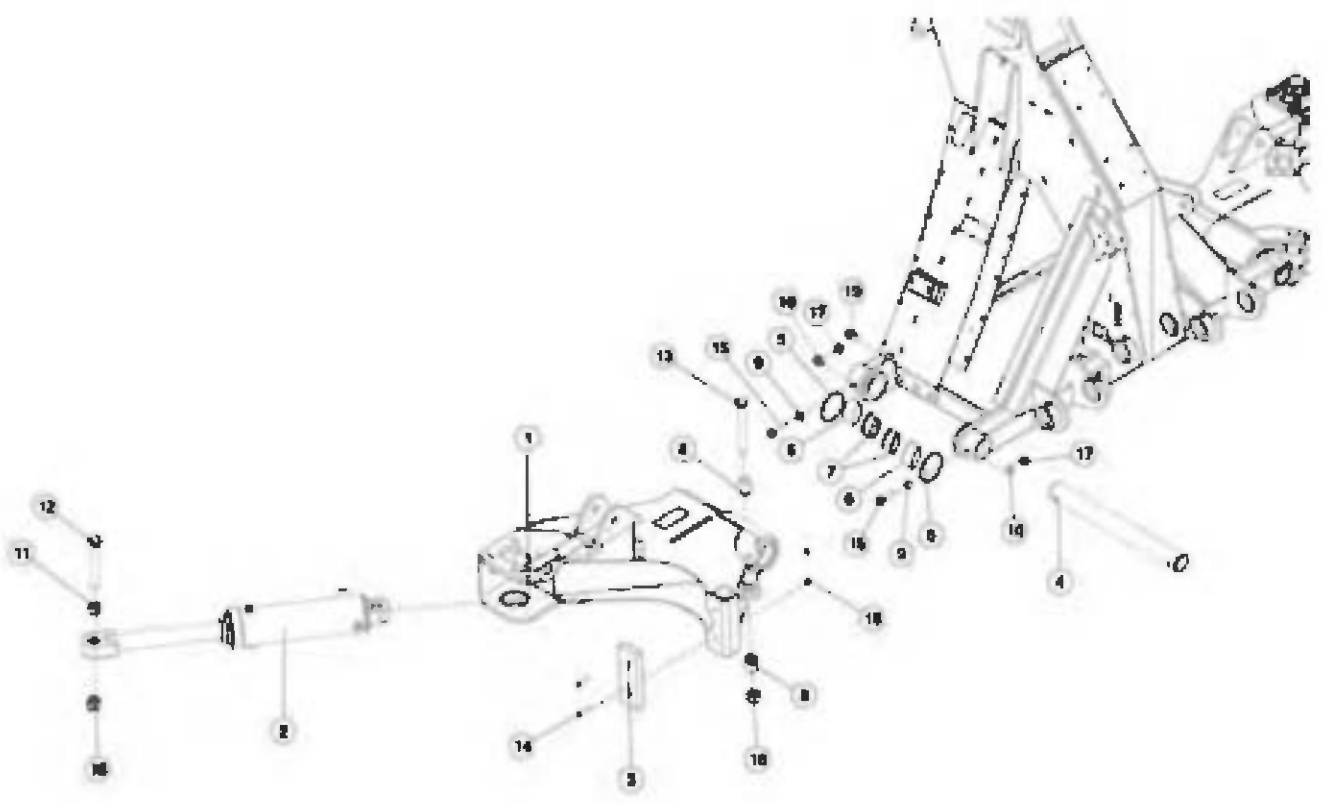
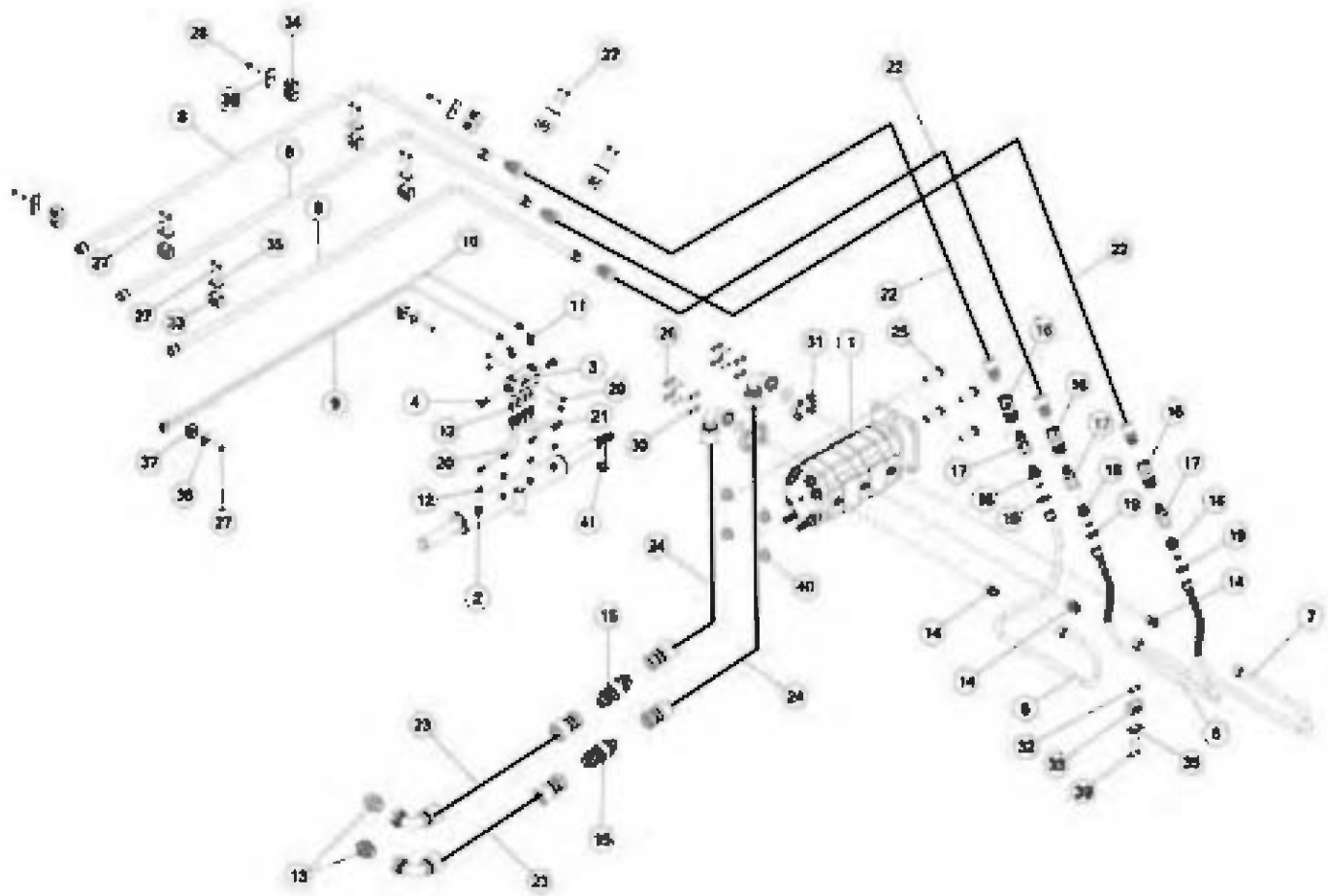




FIGURE 10
HYDRAULIC PUMP & COMPONENTS



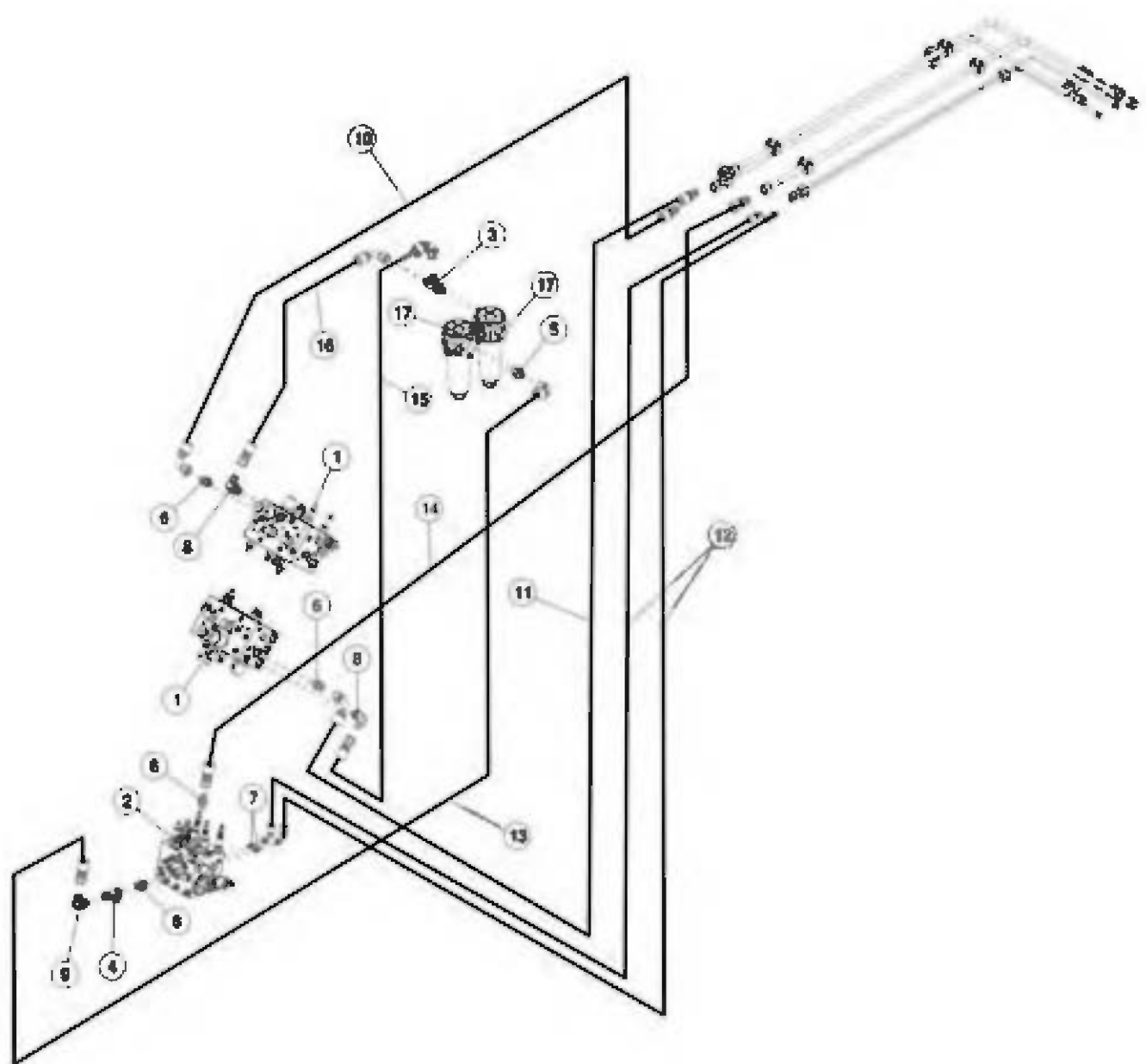




FIGURE 12
HYDRAULICS & COMPONENTS

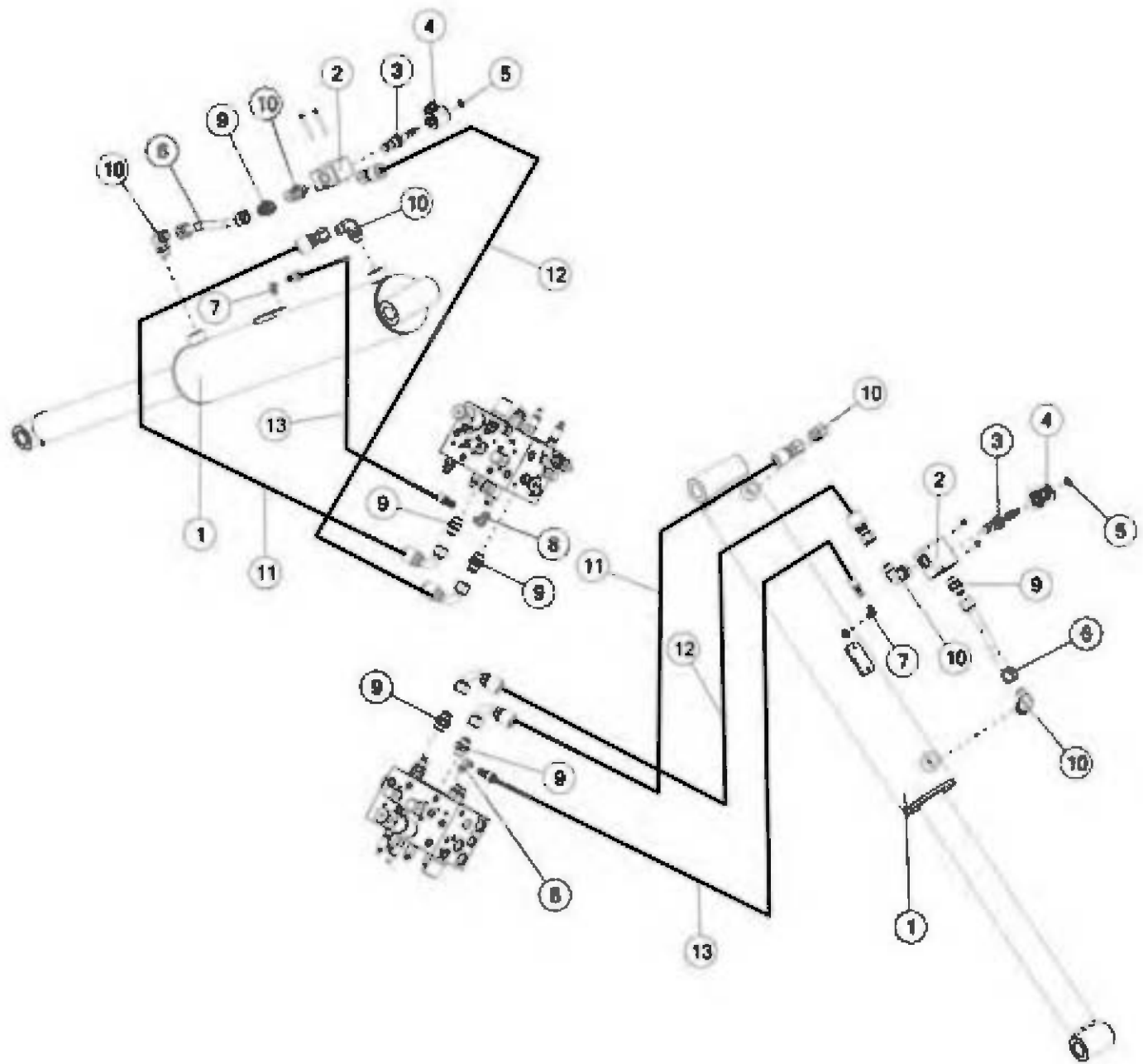




FIGURE 13
ACCUMULATOR & COMPONENTS

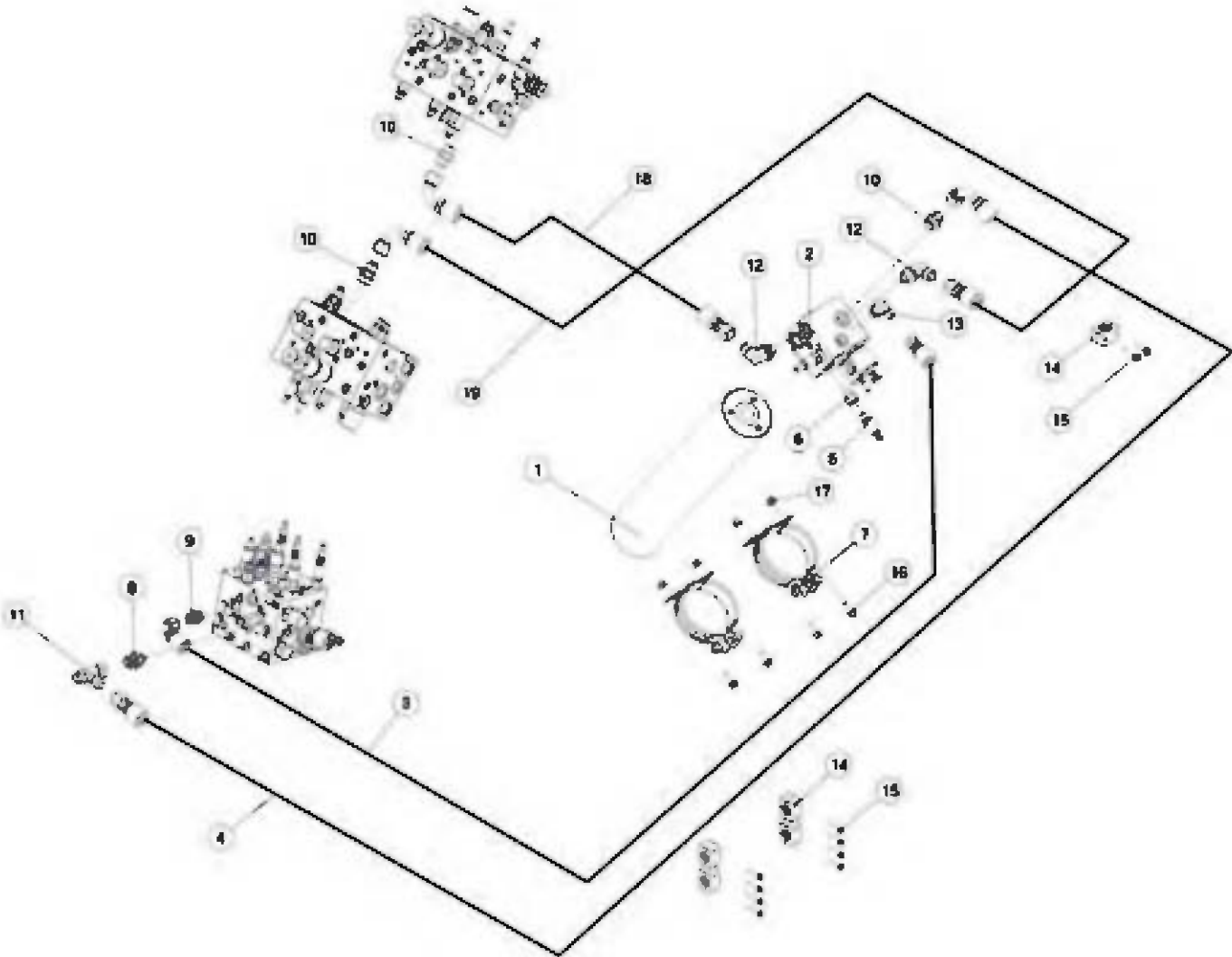




FIGURE 14
STEERING HYDRAULICS & COMPONENTS

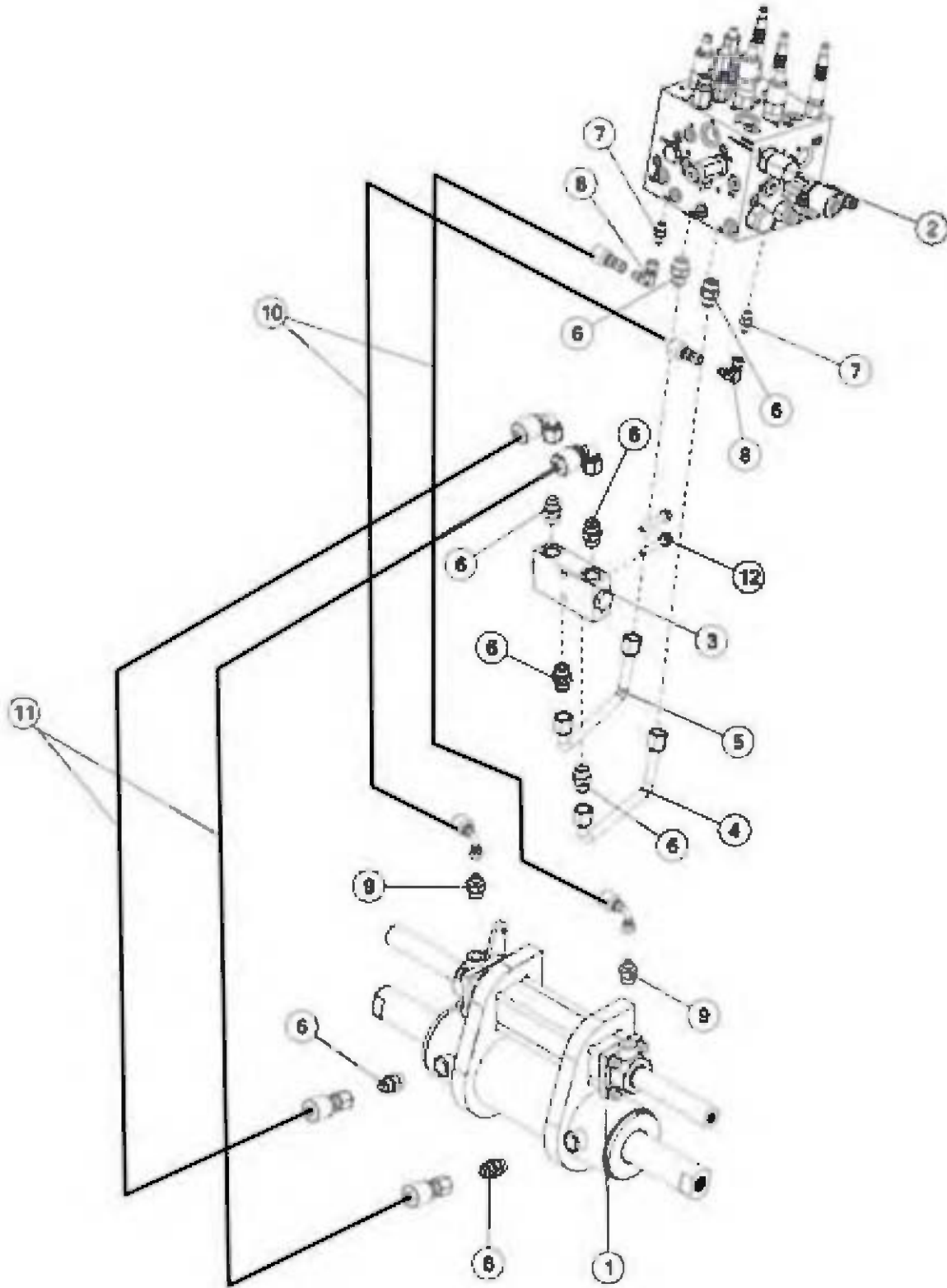




FIGURE 15

MAIN HEAD MANIFOLD & COMPONENTS

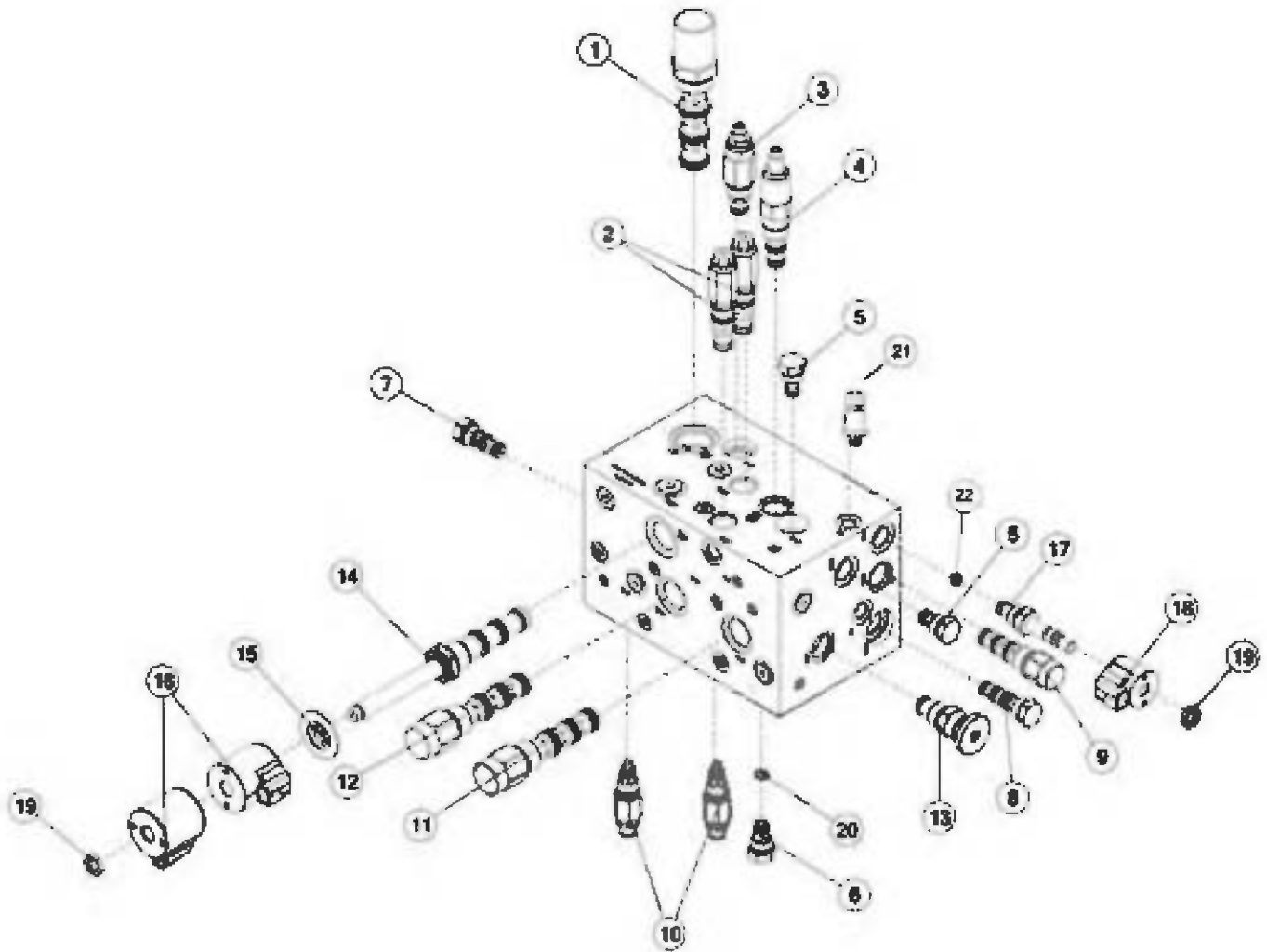




FIGURE 15

MAIN HEAD MANIFOLD & COMPONENTS

REF #	PART #	DESCRIPTION	QTY
1	91950	HYDRAULIC VALVE, PRESSURE COMPENSATOR	1
*	HS101125	SEAL KIT	1
2	91954	HYDRAULIC VALVE, COUNTER BALANCE	2
*	HS101172	SEAL KIT	1
3	91951	HYDRAULIC VALVE, RELIEF	1
*	77135	SEAL KIT	1
4	91952	HYDRAULIC VALVE, SEQUENCE	1
*	72558	SEAL KIT	1
5	74263	HYD VALVE, CHECK	2
*	90369	SEAL KIT	1
6	96811	CAVITY PLUG	1
7	85029	HYD VALVE, LOAD SHUTTLE	1
8	91955	HYDRAULIC VALVE, PILOT DIRECTIONAL	1
*	HS101105	SEAL KIT	1
9	82973	HYD VALVE DIRECTIONAL	1
*	78786	SEAL KIT	1
10	91958	HYDRAULIC VALVE, RELIEF	2
*	HS101158	SEAL KIT	1
11	91960	HYDRAULIC VALVE, DIRECTIONAL	1
*	77139	SEAL KIT	1
12	91961	HYDRAULIC VALVE, SPOOL	1
*	77139	SEAL KIT	1
13	91957	HYDRAULIC VALVE, NEEDLE	1
*	LW319	SEAL KIT	1
14	HS102408	HYDRAULIC VALVE, SPOOL	1
*	77139	SEAL KIT	1
15	77079	COIL SPACER	1
16	77071	ELEC, COIL, #10, 1.7A	2
17	91956	HYDRAULIC VALVE, POPET	1
*	90369	SEAL KIT	1
18	74395	ELEC, COIL, #08 1.36A	1
19	77078	HYD, SPOOL NUT, #8	2
20	91953	ORIFICE	1
21	HS101170	PRESSURE SENSOR 0-3000 PSI	1
22	HS103370	ORIFICE DISK	1





FIGURE 16

STEERING MANIFOLD & COMPONENTS

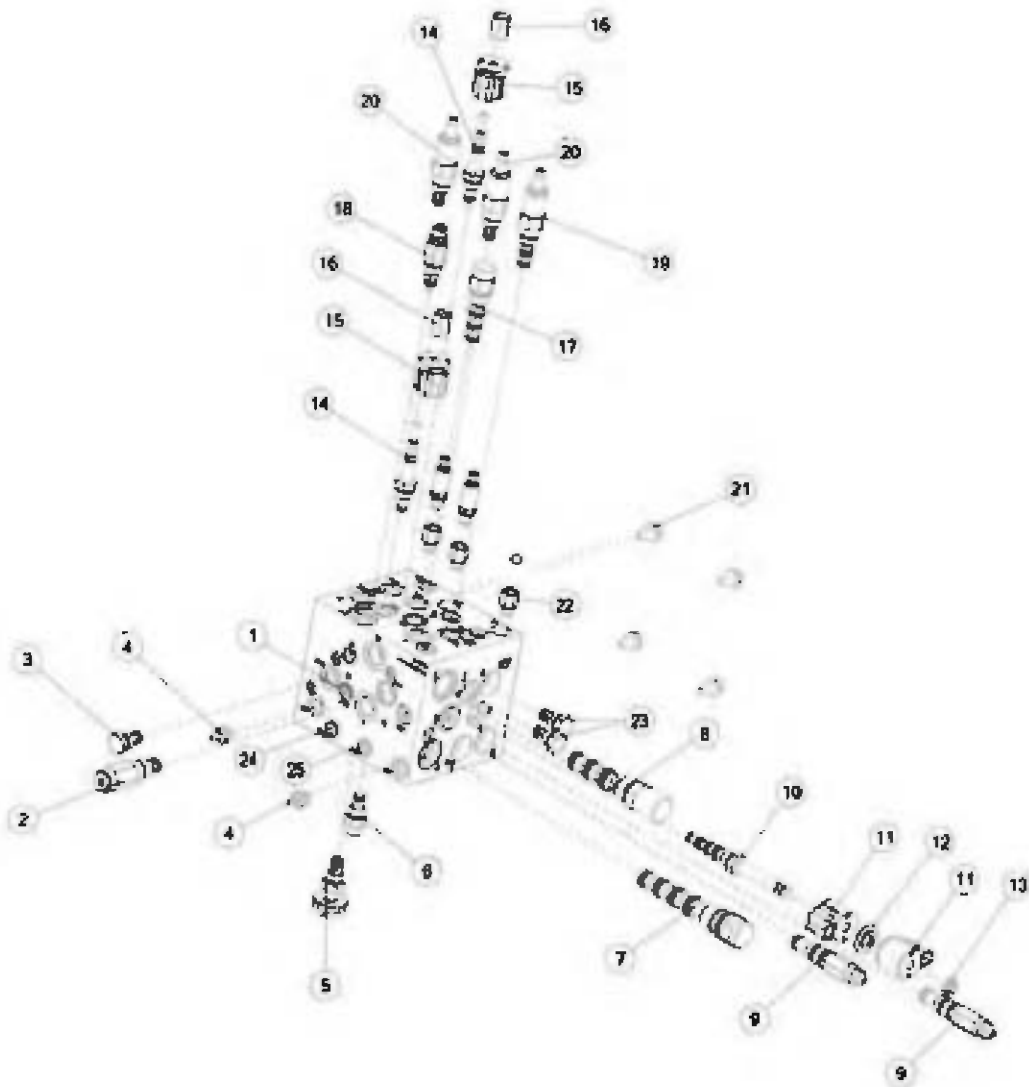




FIGURE 16

STEERING MANIFOLD & COMPONENTS

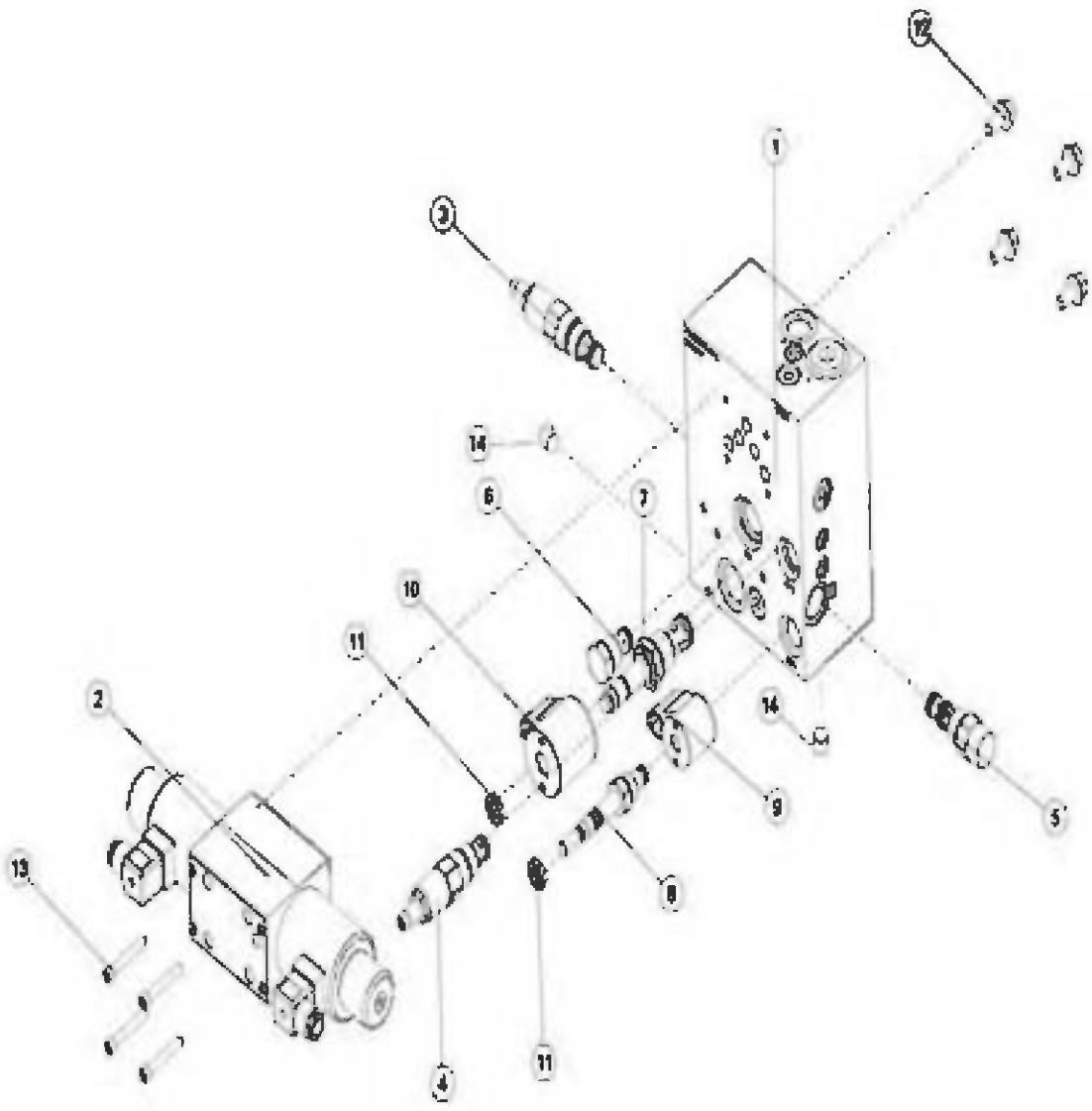
REF #	PART #	DESCRIPTION	QTY
1	77060	BALL CHECK	3
2	92577	HYDRAULIC VALVE, RELIEF	1
*	77135	SEAL KIT	1
3	74263	HYD VALVE, CHECK	3
*	90369	SEAL KIT	1
4	92578	HYDRAULIC VALVE, BLEEDER	2
5	86411	HYD VALVE, FLOW CONTROL	1
*	77138	SEAL KIT	1
6	92580	HYDRAULIC VALVE, FLOW CONTROL	1
*	77138	SEAL KIT	1
7	92588	HYDRAULIC VALVE, PILOT	1
*	HS101162	SEAL KIT	1
8	77067	HYD VALVE, 160 PSI EC	1
*	77139	SEAL KIT	1
9	92590	HYDRAULIC VALVE, COUNTERBALANCE	2
*	HS101172	SEAL KIT	1
10	92591	HYDRAULIC VALVE, SPOOL	1
*	77134	SEAL KIT	1
11	79532	ELEC, COIL	2
12	77074	ELEC, COIL SPACER, #8	1
13	77078	HYD, SPOOL NUT, #8	1
14	83785	HYDRAULIC VALVE, SPOOL	2
*	90369	SEAL KIT	1
15	74395	ELEC, COIL, #08 1.36A	2
16	92225	HEX NUT	2
17	92585	HYDRAULIC VALVE, PILOT	1
*	78786	SEAL KIT	1
18	92582	HYDRAULIC VALVE, RELIEF	1
*	HS101139	SEAL KIT	1
19	92584	HYDRAULIC VALVE, RELIEF	1
*	72558	SEAL KIT	1
20	92586	HYDRAULIC VALVE, RELIEF	2
*	90369	SEAL KIT	1
21	YBFB12075	BOLT FLANGE, 3/8 X 3/4 G5	4
22	77752	FITTING	3
23	92579	ORIFICE DISK	2
24	58099	FITTING PLUG	3
25	77059	SPRING, CHECK VALVE	3





FIGURE 17

BELT CONTROL MANIFOLD & COMPONENTS



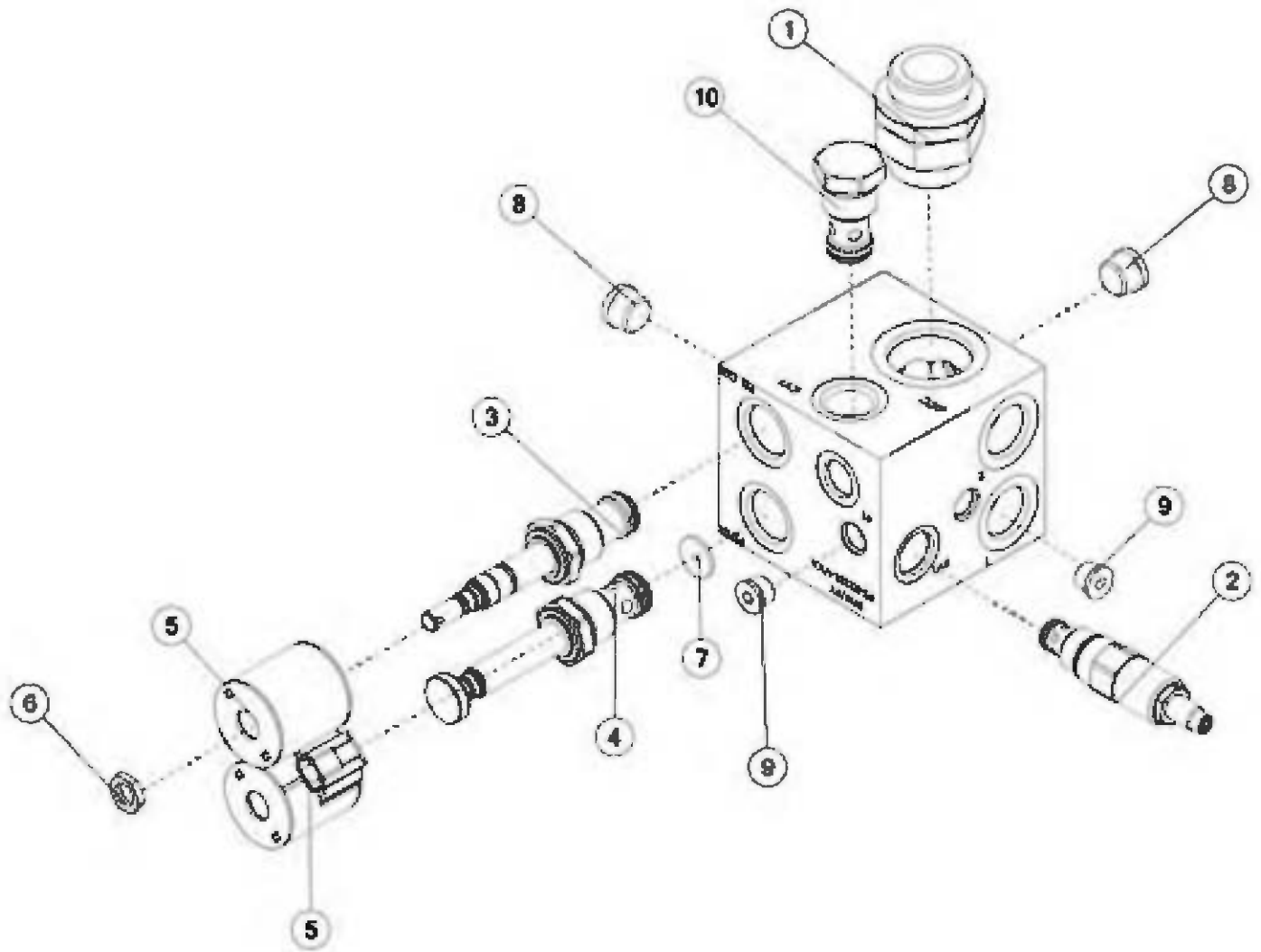




FIGURE 19
LEFT HEAD HYDRAULICS & COMPONENTS

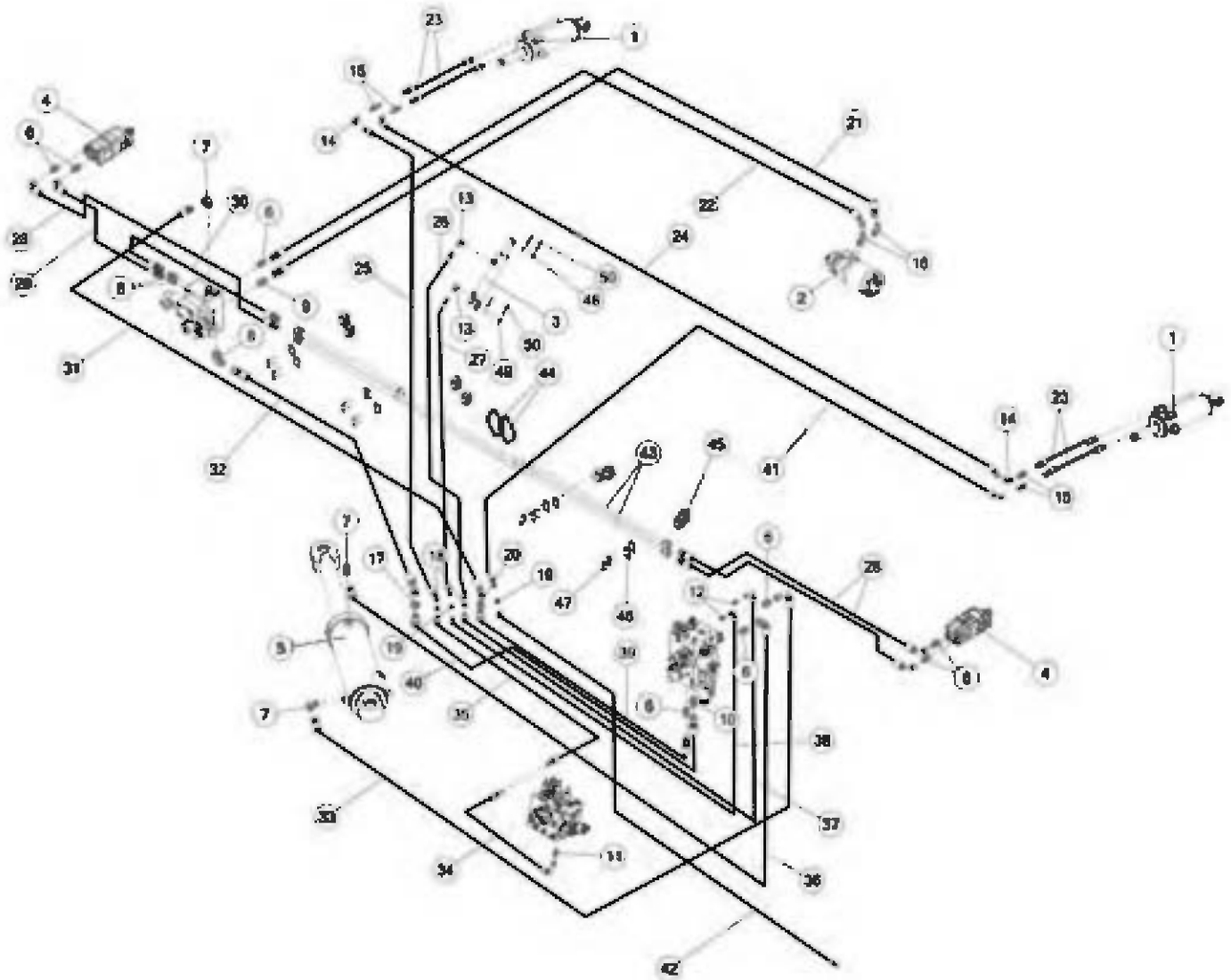




FIGURE 19

LEFT HEAD HYDRAULICS & COMPONENTS

REF #	PART #	DESCRIPTION	QTY
1	90462	HYDRAULIC CYLINDER, 3 1/2 X 6	2
*	90463	SEAL KIT	1
2	82161	HYD MOTOR, 39.6 CU IN, DELTA	1
3	85918	HYD CYLINDER, 1.5 X6	1
4	81763	HYD MOTOR, 9.6 CU IN, 2K	2
5	HS101465	HYDRAULIC CYLINDER, REPHASE 6 X 15	1
*	98239	SEAL KIT	1
6	GM57	FTG,ST,10JIC,10ORB,STL	10
7	GM56	FITTING, 90	3
8	CHM194	FITTING, 90, 12JIC X 12ORB	1
9	GM21	FTG,ST,12JIC,10ORB,STL	1
10	SD273	FTG,ST,12JIC,12ORB,STL	1
11	CHM257	FTG,ST,6JIC,6ORB,STL	1
12	58094	FTG,ST,4JIC,4ORB,STL	2
13	71281	FITTING, 90, 4JIC X 6ORB	2
14	58127	FITTING 90, 3/8 JIC, 3/8 JIC	2
15	95983	FITTING ST, 6 JIC, 6JIC, BULKHEAD	4
16	CHM175	FITTING, 45, 10JIC X 10ORB	2
17	84024	JAM NUT HEX, -12 JIC	1
18	95986	JAM NUT HEX, -6 JIC	2
19	98058	JAM NUT HEX, -4 JIC	3
20	84026	JAM NUT HEX, -10 JIC	1
21	94773	HYD HOSE, 10, 128IN	1
22	94775	HYD HOSE, 10, 123IN	1
23	95988	HYDRAULIC HOSE, 6, 22.0	4
24	96004	HYDRAULIC HOSE, 6, 174	1
25	98288	HYDRAULIC HOSE, 6, 140	1
26	98283	HYDRAULIC HOSE, 4, 73	1
27	98591	HYDRAULIC HOSE, 4, 67	1
28	96386	HYDRAULIC HOSE, 10, 54.0	3
29	88044	HYDRAULIC HOSE, 10, 36	1
30	95970	HYDRAULIC HOSE, 10, 54.0	1
31	98267	HYDRAULIC HOSE, 10, 107	1
32	98265	HYDRAULIC HOSE, 12, 107	1
33	HS101707	HYDRAULIC HOSE, 10, 108.50	1
34	97776	HYDRAULIC HOSE, 6, 27.0	1
35	98051	HYDRAULIC HOSE, 6, 64.0	1





FIGURE 19
LEFT HEAD HYDRAULICS & COMPONENTS

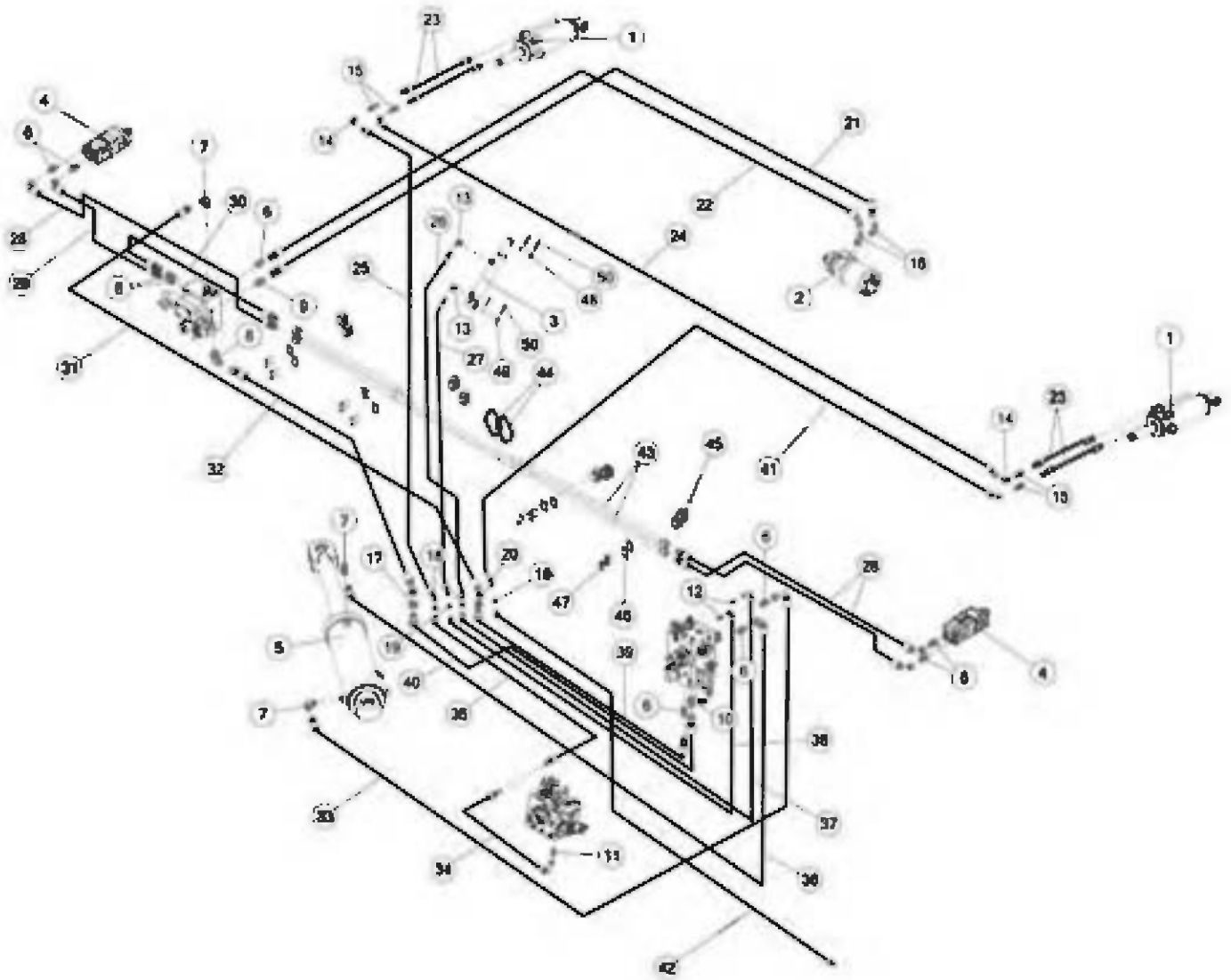




FIGURE 20

RIGHT HEAD HYDRAULICS & COMPONENTS

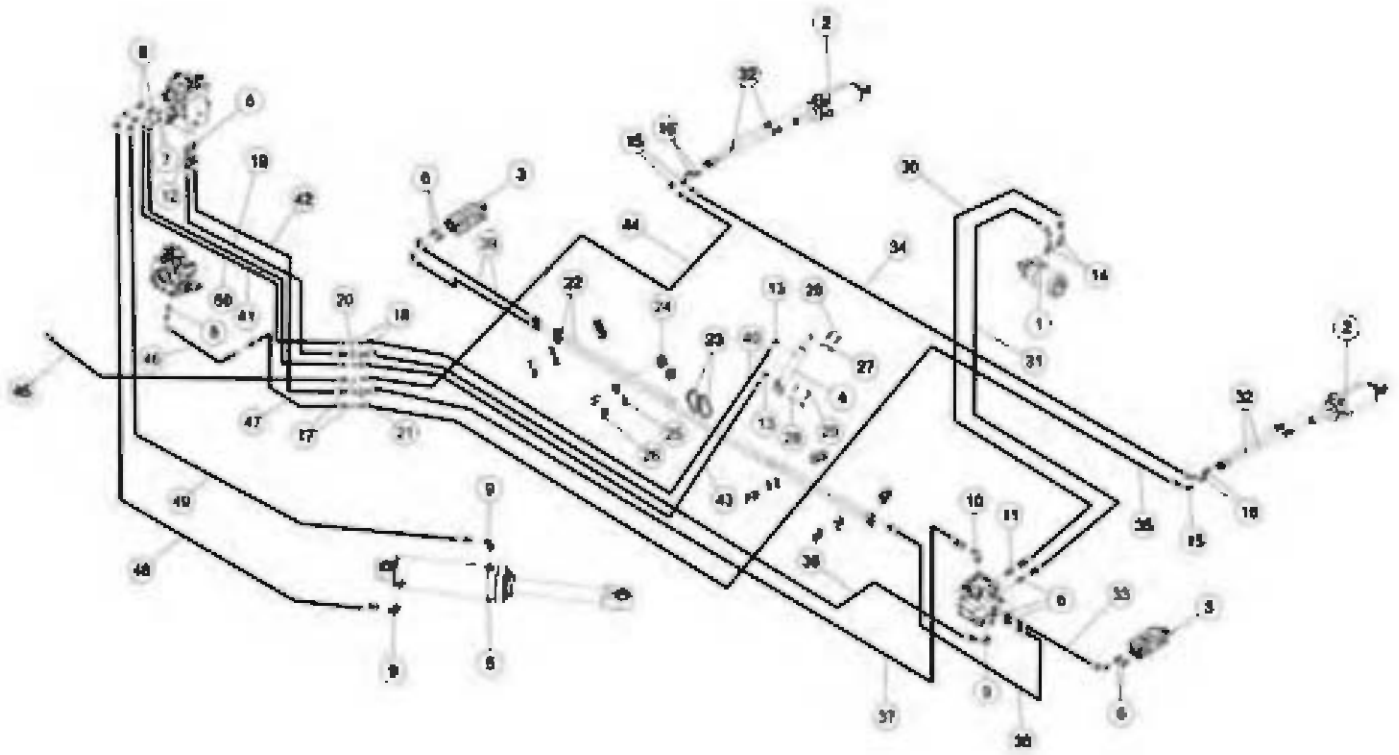




FIGURE 20

RIGHT HEAD HYDRAULICS & COMPONENTS

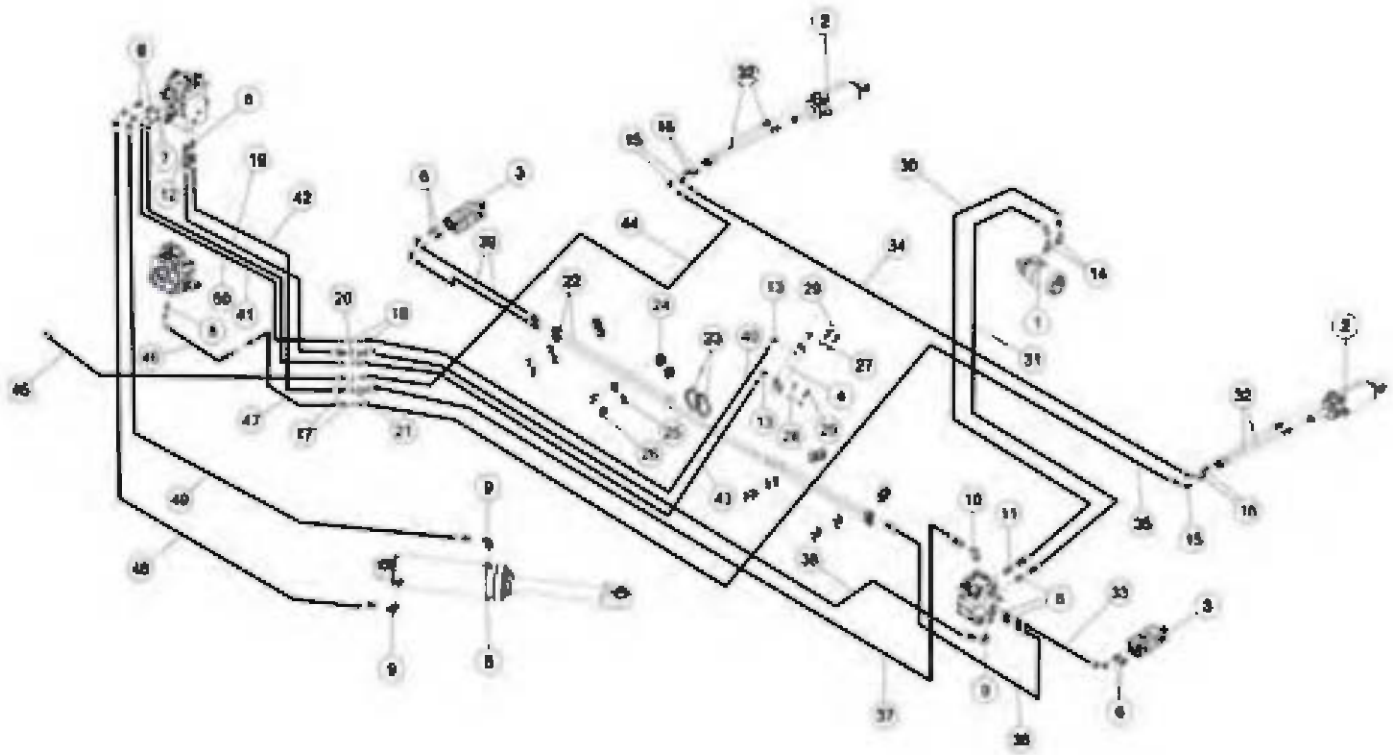
REF #	PART #	DESCRIPTION	QTY
1	82161	HYD MOTOR, 39.6 CU IN, DELTA	1
*	90463	SEAK KIT	1
2	90462	HYDRAULIC CYLINDER, 3 1/2 X 6	2
3	81763	HYD MOTOR, 9.6 CU IN, 2K	2
*	91920	SEAK KIT	1
4	85918	HYD CYLINDER, 1.5 X6	1
5	HS101465	HYDRAULIC CYLINDER, REPHASE 6 X 15	1
6	GM57	FTG,ST,10JIC,10ORB,STL	10
7	58094	FTG,ST,4JIC,4ORB,STL	2
8	CHM257	FTG,ST,6JIC,6ORB,STL	1
9	GM56	FTG, 90	3
10	CHM194	FITTING, 90, 12JIC X 12ORB	1
11	GM21	FTG,ST,12JIC,10ORB,STL	1
12	SD273	FTG,ST,12JIC,12ORB,STL	1
13	71281	FITTING, 90, 4JIC X 6ORB	2
14	CHM175	FITTING, 45, 10JIC X 10ORB	2
15	58127	FITTING 90, 3/8 JIC, 3/8 JIC	3
16	95983	FITTING ST, 6 JIC, 6JIC, BULKHEAD	4
17	95986	JAM NUT HEX, -6 JIC	2
18	98058	JAM NUT HEX, -4 JIC	2
19	HS101738	HYDRAULIC HOSE, 12, 83.68	1
20	84024	JAM NUT HEX, -12 JIC	1
21	84026	JAM NUT HEX, -10 JIC	1
22	95964	HYDRAULIC TUBE	2
23	93450	EDGING TWIN FLEX	2
24	CHM284	3/4" TUBE - HOSE CLAMP CUSHION	8
25	CHM283	TOP PLATE	8
26	YBFB08150	BOLT FLG, 1/4 X 1-1/2 G5	16
27	79558	CYLINDER PIN	1
28	84331	CYLINDER PIN	1
29	YPCT05010	COTTER PIN 5/32" X 1-1/2"	4
30	94773	HYD HOSE, 10, 128IN	1
31	94775	HYD HOSE, 10, 123IN	1
32	95988	HYDRAULIC HOSE, 6, 22.0	4
33	88044	HYDRAULIC HOSE, 10, 36	1
34	96004	HYDRAULIC HOSE, 6, 174	1
35	98288	HYDRAULIC HOSE, 6, 140	1





FIGURE 20

RIGHT HEAD HYDRAULICS & COMPONENTS



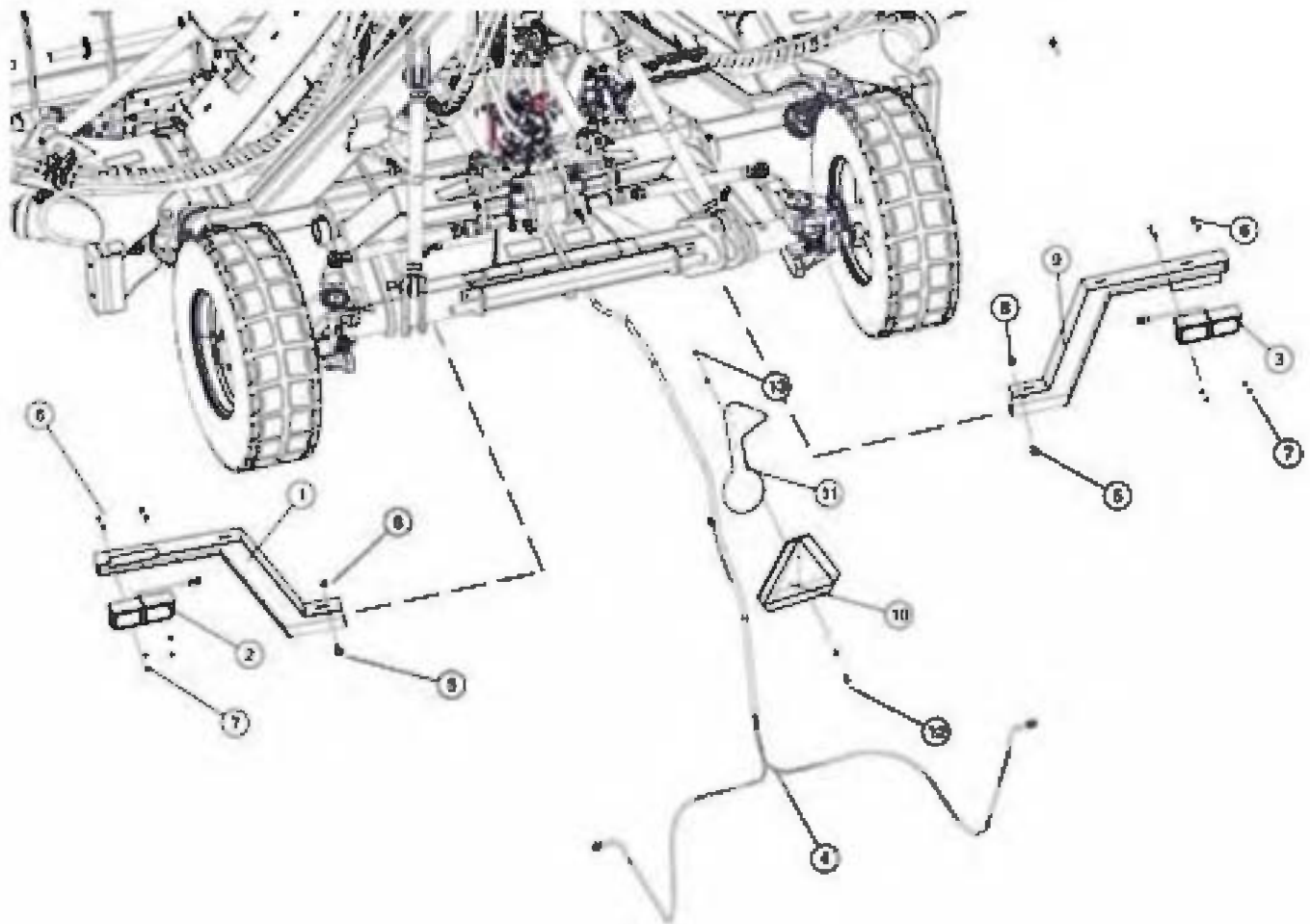




FIGURE 22

ELECTRICAL MODULES

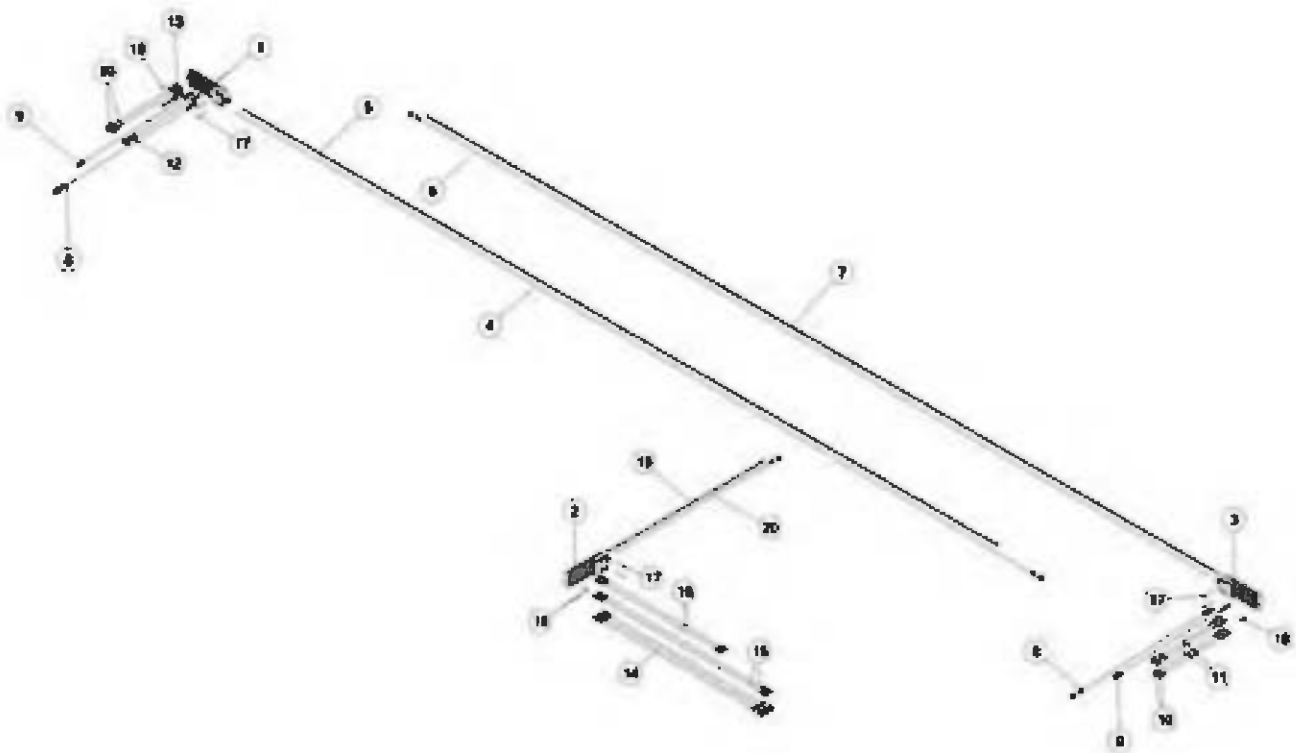
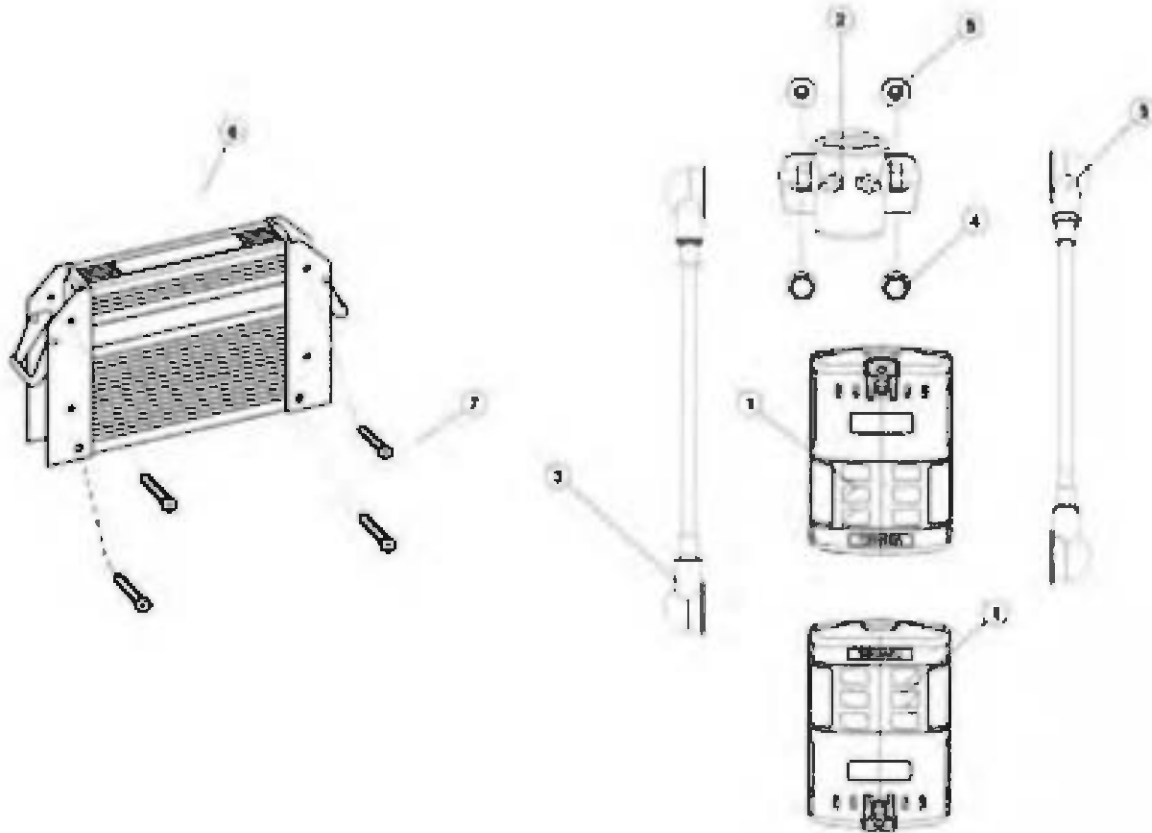




FIGURE 23

FUSE BLOCKS



REF #	PART #	DESCRIPTION	QTY
1	97675	FUSE BLOCK	2
2	83008	SOLENOID	1
3	83132	POWER WIRE	2
4	YBFB10075	BOLT FLANGE, 5/16 X 3/4 G5	2
5	YNFG10005	NUT FLANGE, 5/16 GF	2
6	94995	CONTROL MODULE	1
7	YSBS64005	BUTTON HEAD SOCKET CAP SCREW	4



FIGURE 24
FRONT ISO HARNESS

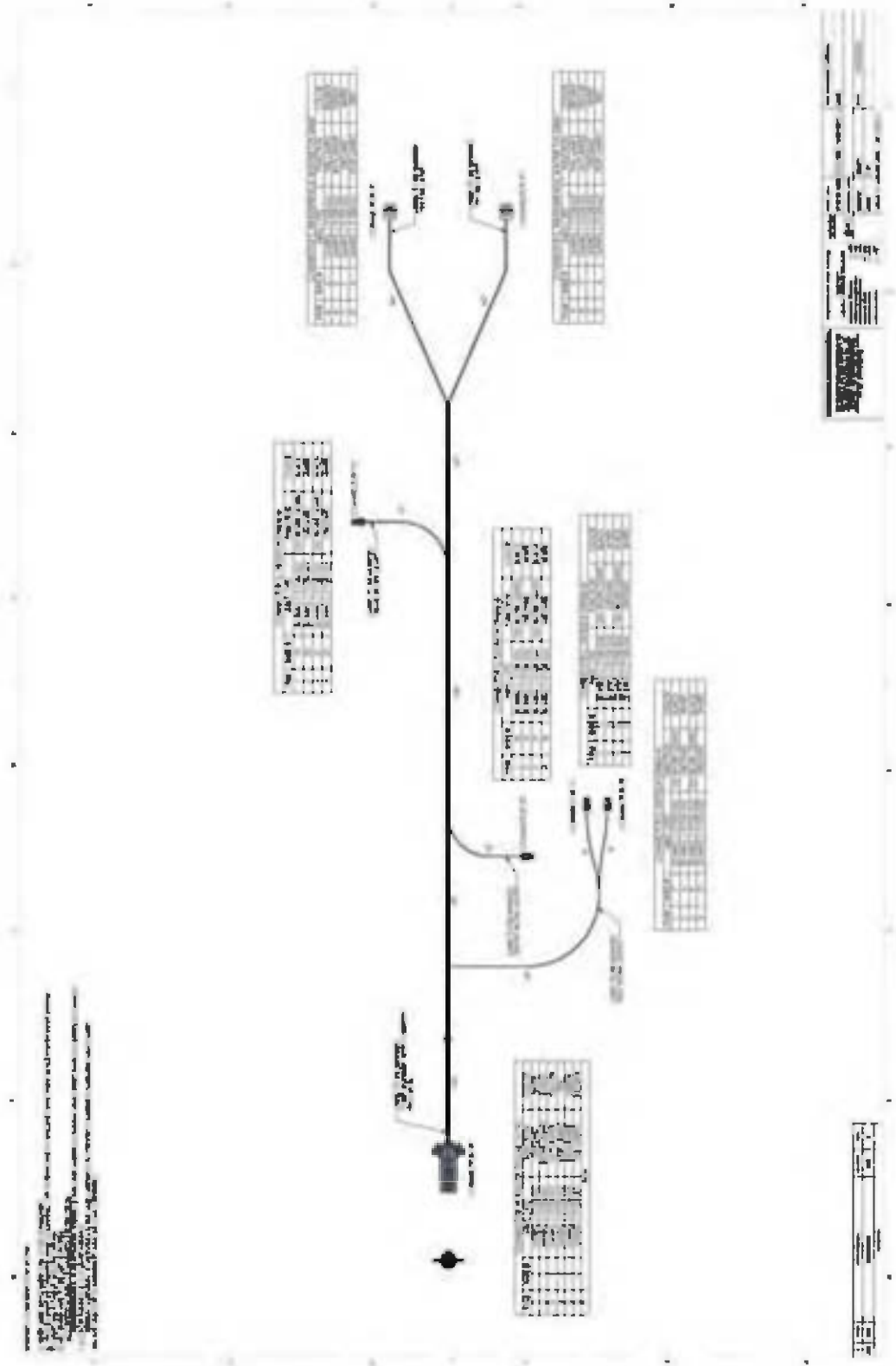




FIGURE 25

WIRING HARNESS

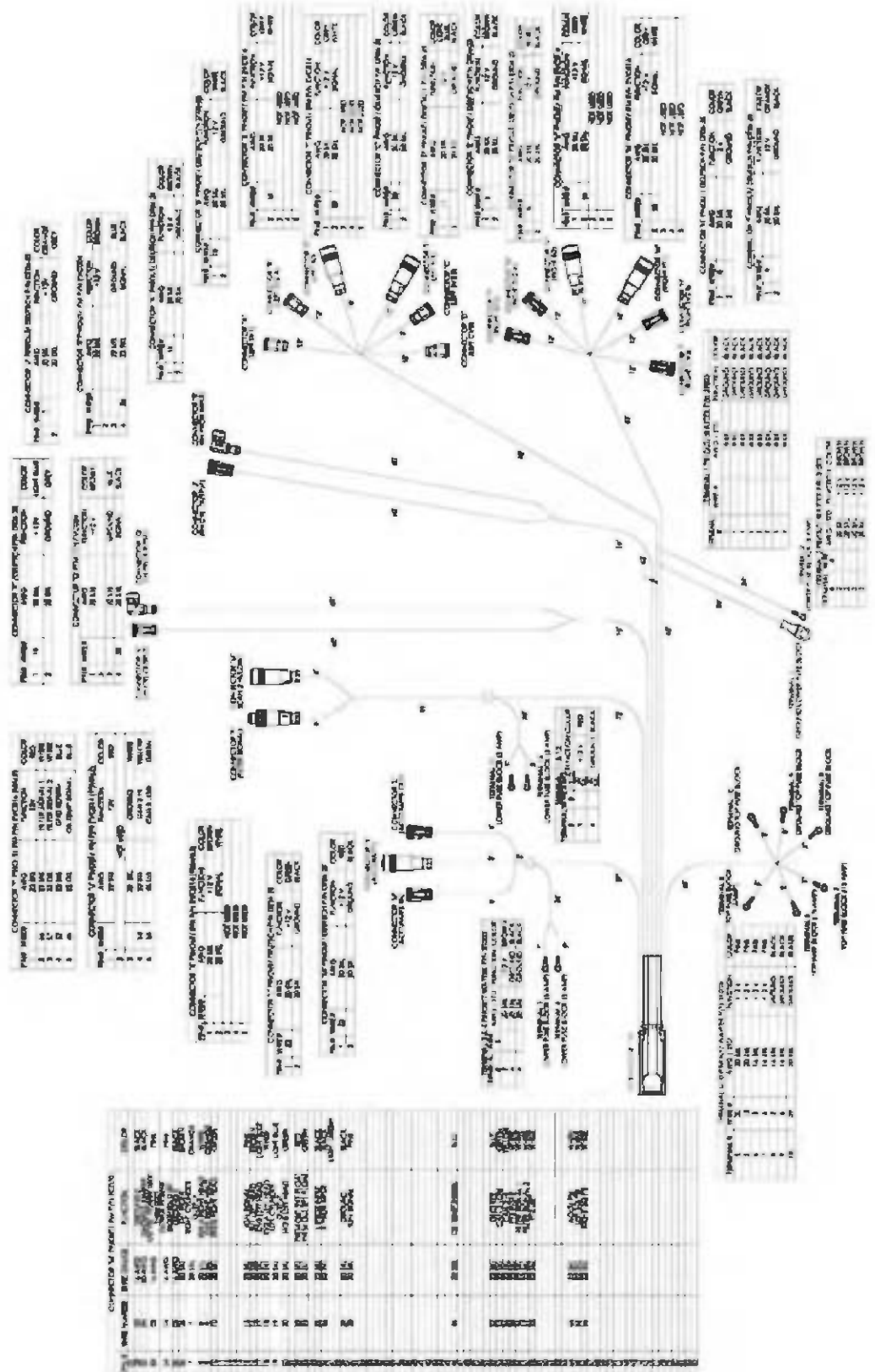




FIGURE 27 RIGHT WING HARNESS

Part No.	Description	Quantity	Unit
1	Wiring Harness	1	EA
2	Terminal Block	1	EA
3	Terminal Block	1	EA
4	Terminal Block	1	EA
5	Terminal Block	1	EA
6	Terminal Block	1	EA
7	Terminal Block	1	EA
8	Terminal Block	1	EA
9	Terminal Block	1	EA
10	Terminal Block	1	EA
11	Terminal Block	1	EA
12	Terminal Block	1	EA
13	Terminal Block	1	EA
14	Terminal Block	1	EA
15	Terminal Block	1	EA
16	Terminal Block	1	EA
17	Terminal Block	1	EA
18	Terminal Block	1	EA
19	Terminal Block	1	EA
20	Terminal Block	1	EA

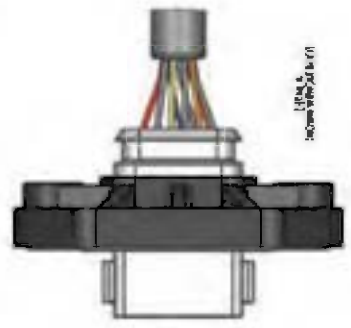
Part No.	Part Name	Quantity	Unit
1	Wiring Harness	1	EA
2	Terminal Block	1	EA
3	Terminal Block	1	EA
4	Terminal Block	1	EA
5	Terminal Block	1	EA
6	Terminal Block	1	EA
7	Terminal Block	1	EA
8	Terminal Block	1	EA
9	Terminal Block	1	EA
10	Terminal Block	1	EA
11	Terminal Block	1	EA
12	Terminal Block	1	EA
13	Terminal Block	1	EA
14	Terminal Block	1	EA
15	Terminal Block	1	EA
16	Terminal Block	1	EA
17	Terminal Block	1	EA
18	Terminal Block	1	EA
19	Terminal Block	1	EA
20	Terminal Block	1	EA

Part No.	Part Name	Quantity	Unit
1	Wiring Harness	1	EA
2	Terminal Block	1	EA
3	Terminal Block	1	EA
4	Terminal Block	1	EA
5	Terminal Block	1	EA
6	Terminal Block	1	EA
7	Terminal Block	1	EA
8	Terminal Block	1	EA
9	Terminal Block	1	EA
10	Terminal Block	1	EA
11	Terminal Block	1	EA
12	Terminal Block	1	EA
13	Terminal Block	1	EA
14	Terminal Block	1	EA
15	Terminal Block	1	EA
16	Terminal Block	1	EA
17	Terminal Block	1	EA
18	Terminal Block	1	EA
19	Terminal Block	1	EA
20	Terminal Block	1	EA

Part No.	Part Name	Quantity	Unit
1	Wiring Harness	1	EA
2	Terminal Block	1	EA
3	Terminal Block	1	EA
4	Terminal Block	1	EA
5	Terminal Block	1	EA
6	Terminal Block	1	EA
7	Terminal Block	1	EA
8	Terminal Block	1	EA
9	Terminal Block	1	EA
10	Terminal Block	1	EA
11	Terminal Block	1	EA
12	Terminal Block	1	EA
13	Terminal Block	1	EA
14	Terminal Block	1	EA
15	Terminal Block	1	EA
16	Terminal Block	1	EA
17	Terminal Block	1	EA
18	Terminal Block	1	EA
19	Terminal Block	1	EA
20	Terminal Block	1	EA



Part No.	Part Name	Quantity	Unit
1	Wiring Harness	1	EA
2	Terminal Block	1	EA
3	Terminal Block	1	EA
4	Terminal Block	1	EA
5	Terminal Block	1	EA
6	Terminal Block	1	EA
7	Terminal Block	1	EA
8	Terminal Block	1	EA
9	Terminal Block	1	EA
10	Terminal Block	1	EA
11	Terminal Block	1	EA
12	Terminal Block	1	EA
13	Terminal Block	1	EA
14	Terminal Block	1	EA
15	Terminal Block	1	EA
16	Terminal Block	1	EA
17	Terminal Block	1	EA
18	Terminal Block	1	EA
19	Terminal Block	1	EA
20	Terminal Block	1	EA



Part No.	Part Name	Quantity	Unit
1	Wiring Harness	1	EA
2	Terminal Block	1	EA
3	Terminal Block	1	EA
4	Terminal Block	1	EA
5	Terminal Block	1	EA
6	Terminal Block	1	EA
7	Terminal Block	1	EA
8	Terminal Block	1	EA
9	Terminal Block	1	EA
10	Terminal Block	1	EA
11	Terminal Block	1	EA
12	Terminal Block	1	EA
13	Terminal Block	1	EA
14	Terminal Block	1	EA
15	Terminal Block	1	EA
16	Terminal Block	1	EA
17	Terminal Block	1	EA
18	Terminal Block	1	EA
19	Terminal Block	1	EA
20	Terminal Block	1	EA

Part No.	Part Name	Quantity	Unit
1	Wiring Harness	1	EA
2	Terminal Block	1	EA
3	Terminal Block	1	EA
4	Terminal Block	1	EA
5	Terminal Block	1	EA
6	Terminal Block	1	EA
7	Terminal Block	1	EA
8	Terminal Block	1	EA
9	Terminal Block	1	EA
10	Terminal Block	1	EA
11	Terminal Block	1	EA
12	Terminal Block	1	EA
13	Terminal Block	1	EA
14	Terminal Block	1	EA
15	Terminal Block	1	EA
16	Terminal Block	1	EA
17	Terminal Block	1	EA
18	Terminal Block	1	EA
19	Terminal Block	1	EA
20	Terminal Block	1	EA



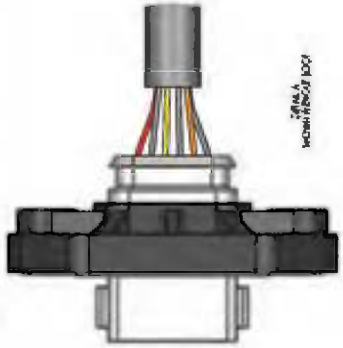
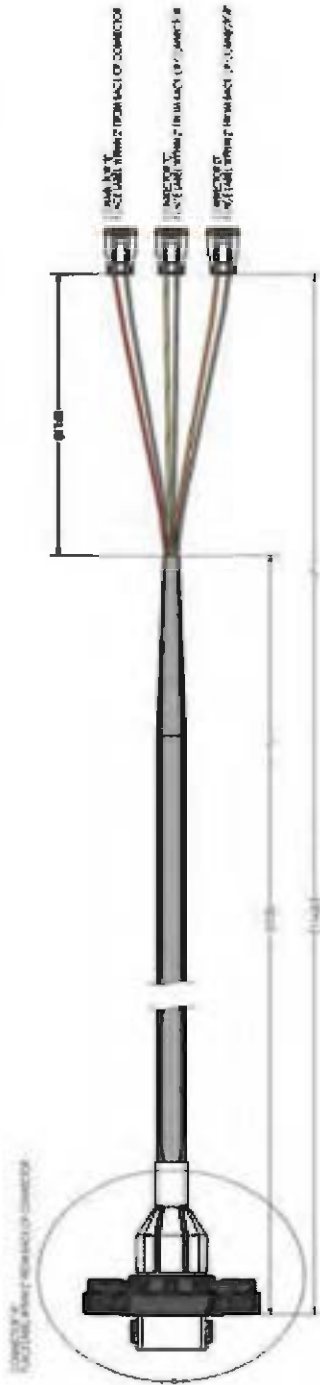
FIGURE 28 LEFT WING HARNESS

Item	Part No.	Qty	Description
1	1000000000	1	WING HARNESS
2	1000000000	1	WING HARNESS
3	1000000000	1	WING HARNESS
4	1000000000	1	WING HARNESS
5	1000000000	1	WING HARNESS
6	1000000000	1	WING HARNESS
7	1000000000	1	WING HARNESS
8	1000000000	1	WING HARNESS
9	1000000000	1	WING HARNESS
10	1000000000	1	WING HARNESS

Item	Part No.	Qty	Description
1	1000000000	1	WING HARNESS
2	1000000000	1	WING HARNESS
3	1000000000	1	WING HARNESS
4	1000000000	1	WING HARNESS
5	1000000000	1	WING HARNESS
6	1000000000	1	WING HARNESS
7	1000000000	1	WING HARNESS
8	1000000000	1	WING HARNESS
9	1000000000	1	WING HARNESS
10	1000000000	1	WING HARNESS

Item	Part No.	Qty	Description
1	1000000000	1	WING HARNESS
2	1000000000	1	WING HARNESS
3	1000000000	1	WING HARNESS
4	1000000000	1	WING HARNESS
5	1000000000	1	WING HARNESS
6	1000000000	1	WING HARNESS
7	1000000000	1	WING HARNESS
8	1000000000	1	WING HARNESS
9	1000000000	1	WING HARNESS
10	1000000000	1	WING HARNESS

Item	Part No.	Qty	Description
1	1000000000	1	WING HARNESS
2	1000000000	1	WING HARNESS
3	1000000000	1	WING HARNESS
4	1000000000	1	WING HARNESS
5	1000000000	1	WING HARNESS
6	1000000000	1	WING HARNESS
7	1000000000	1	WING HARNESS
8	1000000000	1	WING HARNESS
9	1000000000	1	WING HARNESS
10	1000000000	1	WING HARNESS



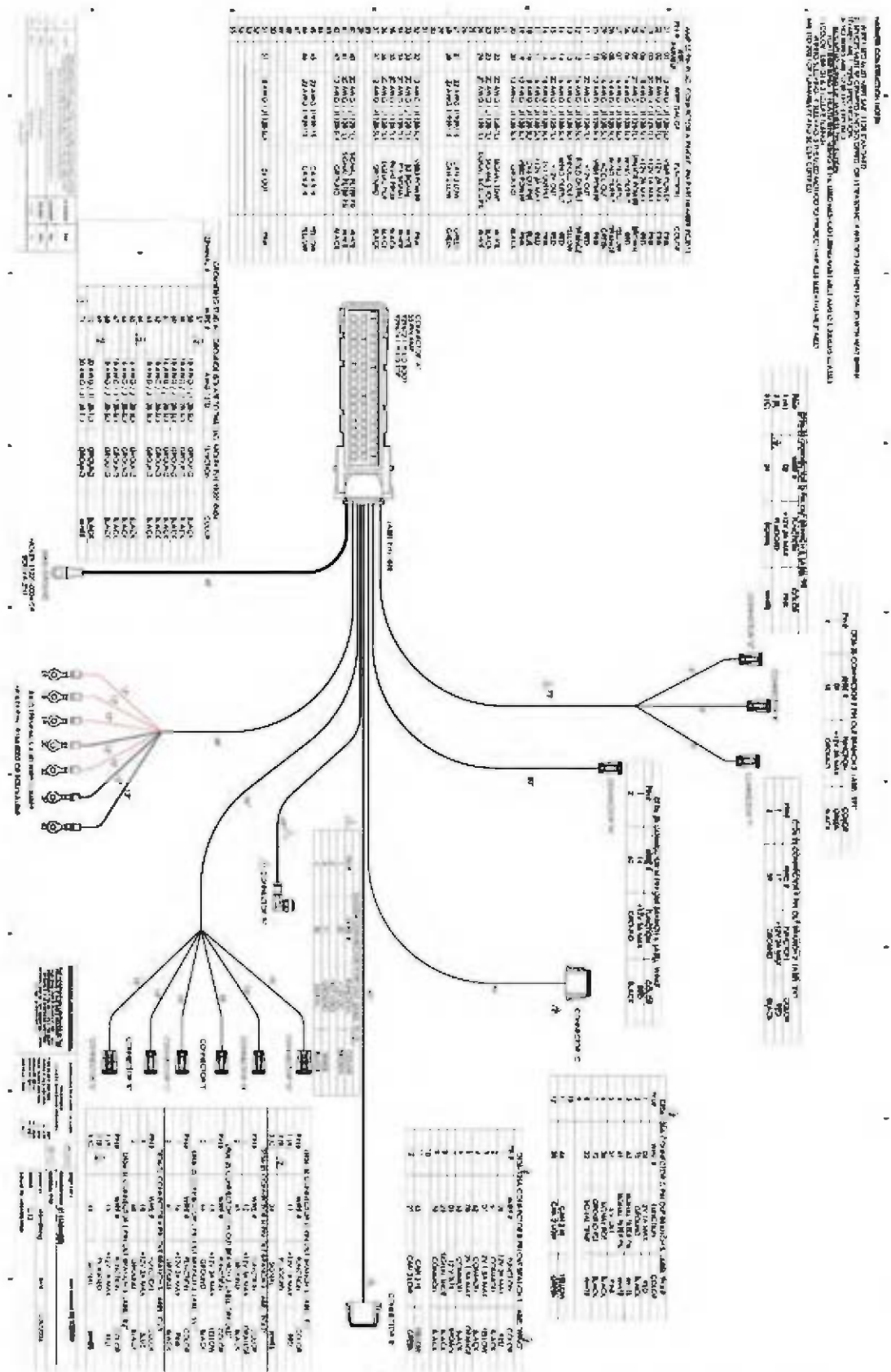
Item	Part No.	Qty	Description
1	1000000000	1	WING HARNESS
2	1000000000	1	WING HARNESS
3	1000000000	1	WING HARNESS
4	1000000000	1	WING HARNESS
5	1000000000	1	WING HARNESS
6	1000000000	1	WING HARNESS
7	1000000000	1	WING HARNESS
8	1000000000	1	WING HARNESS
9	1000000000	1	WING HARNESS
10	1000000000	1	WING HARNESS

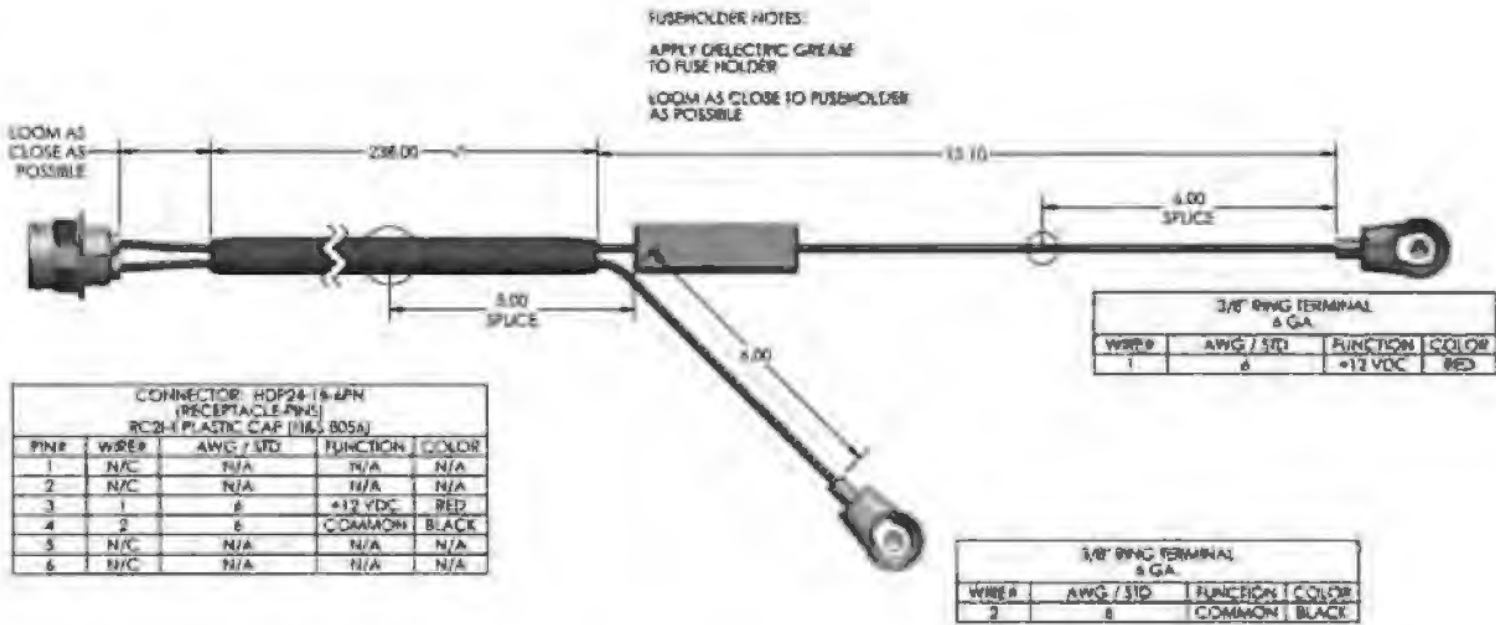
Item	Part No.	Qty	Description
1	1000000000	1	WING HARNESS
2	1000000000	1	WING HARNESS
3	1000000000	1	WING HARNESS
4	1000000000	1	WING HARNESS
5	1000000000	1	WING HARNESS
6	1000000000	1	WING HARNESS
7	1000000000	1	WING HARNESS
8	1000000000	1	WING HARNESS
9	1000000000	1	WING HARNESS
10	1000000000	1	WING HARNESS



FIGURE 29

ST HARNESS



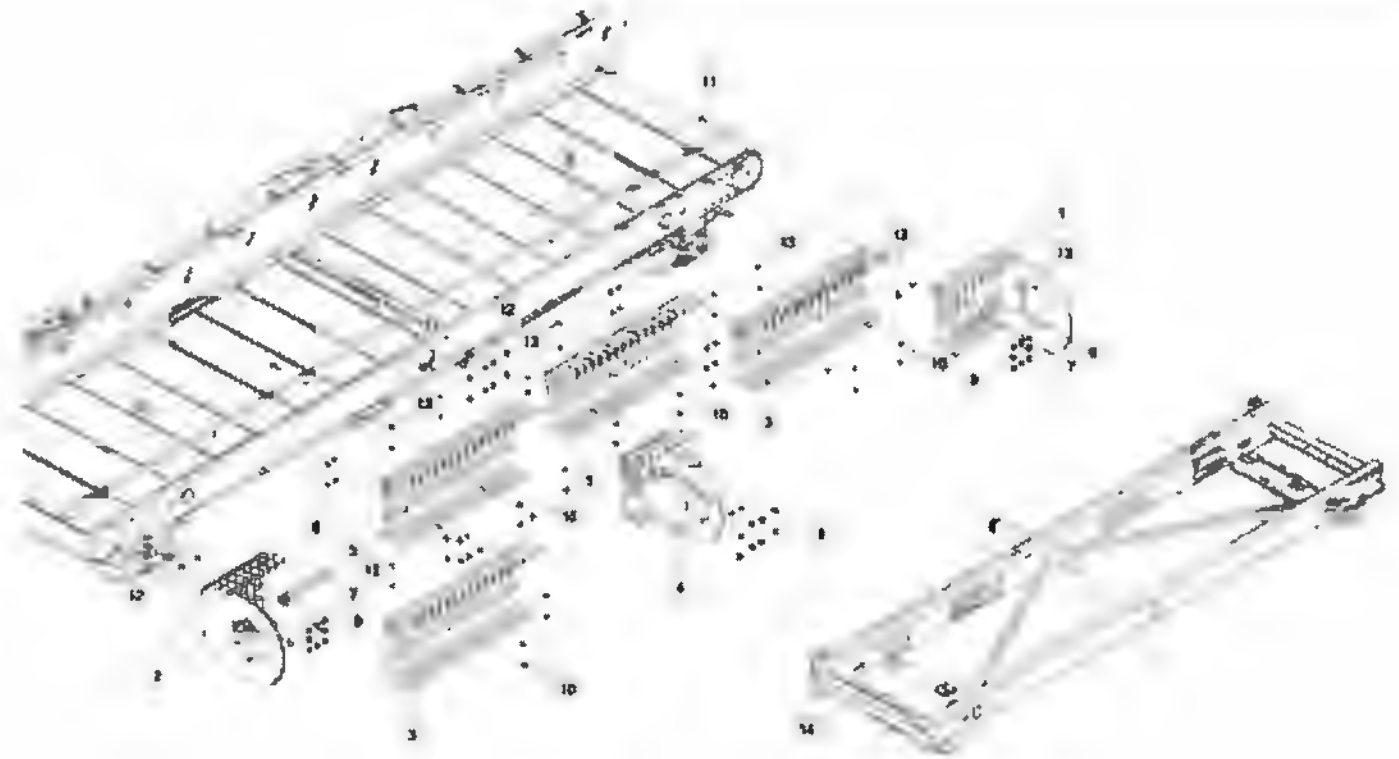


***MERGER
HEADS***



FIGURE 1

END CAPS & COMPONENTS



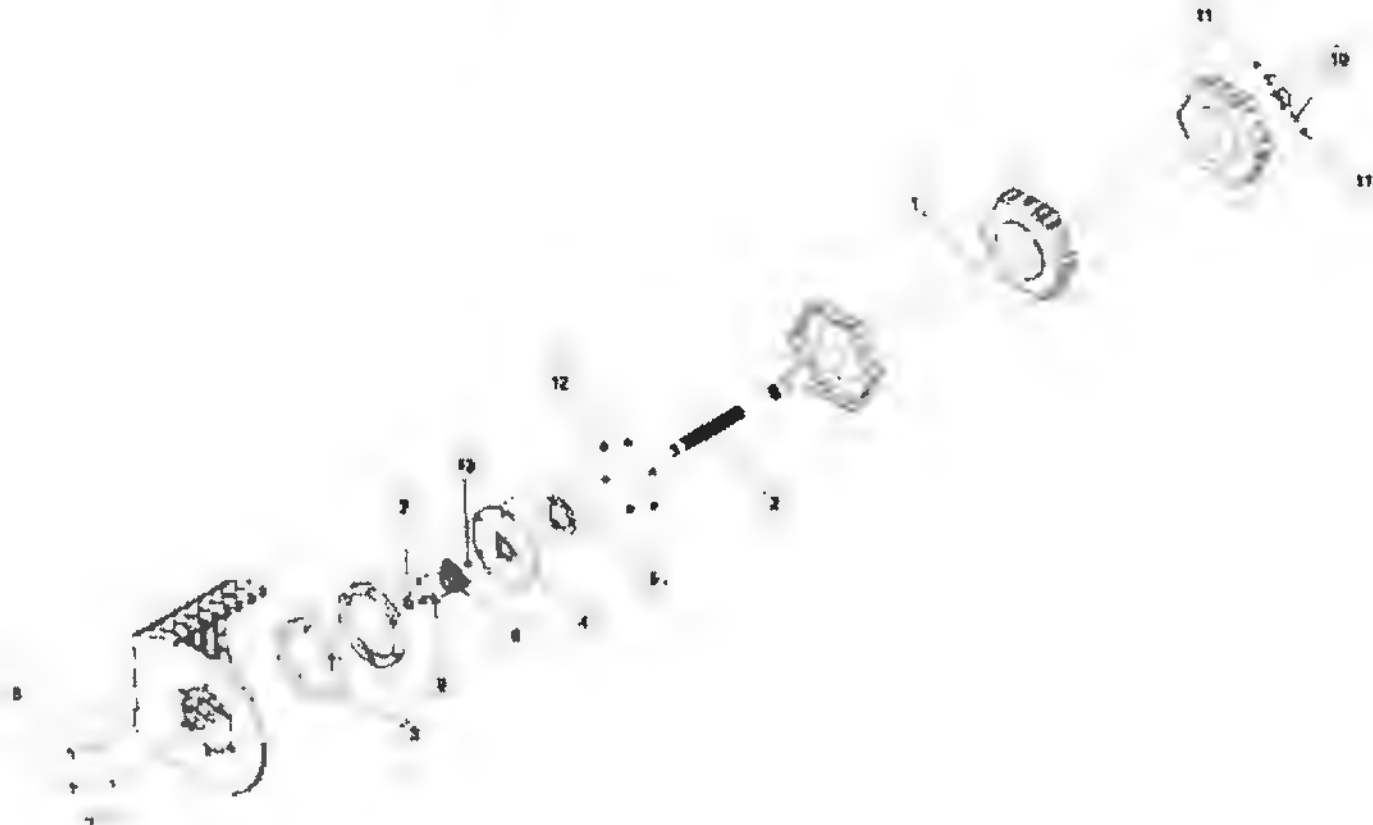
REF #	PART #	DESCRIPTION	QTY
1	85891B2	END CAP	1
2	85881B1	END CAP	1
3	94576	MOUNTING BRACKET	4
4	85863	CENTER CAM MOUNT	1
5	94747	TRANSITION PLATE	2
6	87344	BACKING PLATE	14
7	YBFB16150	BOLT FLANGE, 1/2 X 1-1/2 G5	12
8	YBFB16175	BOLT FLANGE, 1/2 X 1-3/4 G5	8
9	YBFB16125	BOLT FLANGE, 1/2 X 1-1/4 G5	4
10	YBFB12125	BOLT FLANGE, 3/8 X 1-1/4 G5	24
11	YBCR12015	BOLT CARRIAGE, 3/8-16 X 1-1/2 G5 ZC	8
12	YNFG16003	NUT FLANGE, 1/2 GF	20
13	YNFG12006	NUT FLANGE, 3/8 GF	32
14	94574	HEAD	1
*	90932	GEARBOX ASSEMBLY	2
*	94492	TINE BAR ASSEMBLY	1
*	94498	TINE BAR ASSEMBLY	1





FIGURE 2

REEL & COMPONENTS



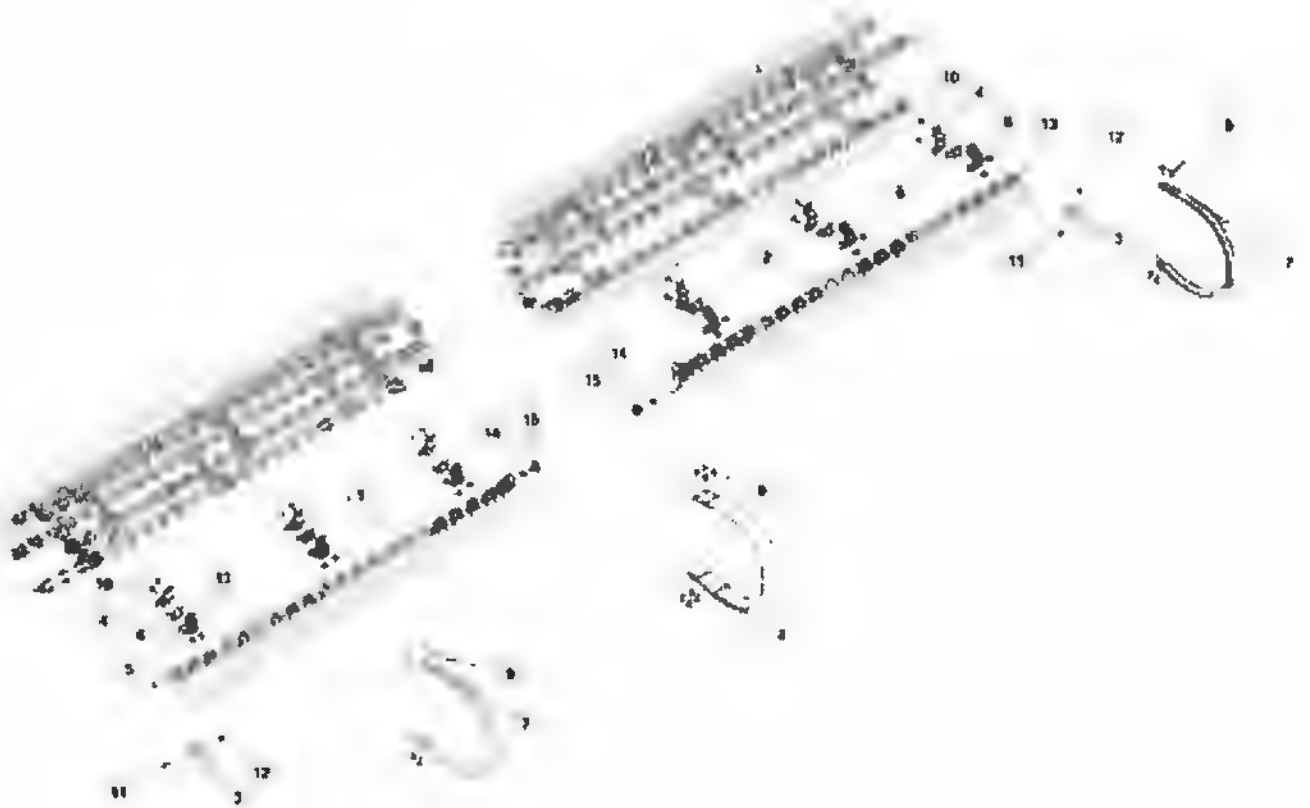
REF #	PART #	DESCRIPTION	QTY
1	94501B	REEL WELDMENT	1
2	83466	SPLINE SHAFT	1
3	83408	LARGE SPACE	2
4	83407	BEARING MOUNT	1
5	59143	ANTI WRAP GUARD	1
6	TFM50	HEAD IDLER BEARING	1
7	F73	SNAP RING, 1-1/4	1
8	YBCR16038	BOLT CARRIAGE, 1/2-13 X 3-1/4, G5, ZC	6
9	YBFB12175	BOLT FLANGE, 3/8 X 1-3/4 G5	3
10	YSKP12005	SET SCREW, SOCKET, KNURLED CUP PT, 3/8-16 X 1	2
11	YNFG12006	NUT FLANGE, 3/8 GF	2
12	YNFG16003	NUT FLANGE, 1/2 GF	6
13	GM503	GREASE ZERK 60104 90 DEGREE	1





FIGURE 3

TINE BARS & COMPONENTS



REF #	PART #	DESCRIPTION	QTY
1	94493	TINE BAR	6
2	94499	TINE BAR	6
3	SPMMS00	RUBBER TINE	252
4	SPMMS16	BEARING HOUSING BOTTOM	126
5	SPMMS17	BEARING HOUSING TOP	36
6	97179	TINE BAR WEAR SLEEVE	36
7	SPMMS13	HAY STRIPPER, INJECTION MOLDED	86
8	SPMPL04	CENTER HAY STRIPPER	1
9	YSHW10005	THREAD CUTTING SCREW, 5/16 X 1	352
10	YBCR14005	BOLT CARRIAGE, FT, 7/16-14 X 1-1/4, A, ZC	72
11	YBFB12200	BOLT FLANGE, 3/8 X 2 G5	252
12	YNFG12006	NUT FLANGE, 3/8 GF	252
13	YNFG14011	NUT FLANGE, 7/16 GF	72
14	YNFG16003	NUT FLANGE, 1/2 GF	12
15	85705	CAM BEARING	12





FIGURE 4

GEARBOX ASSEMBLY

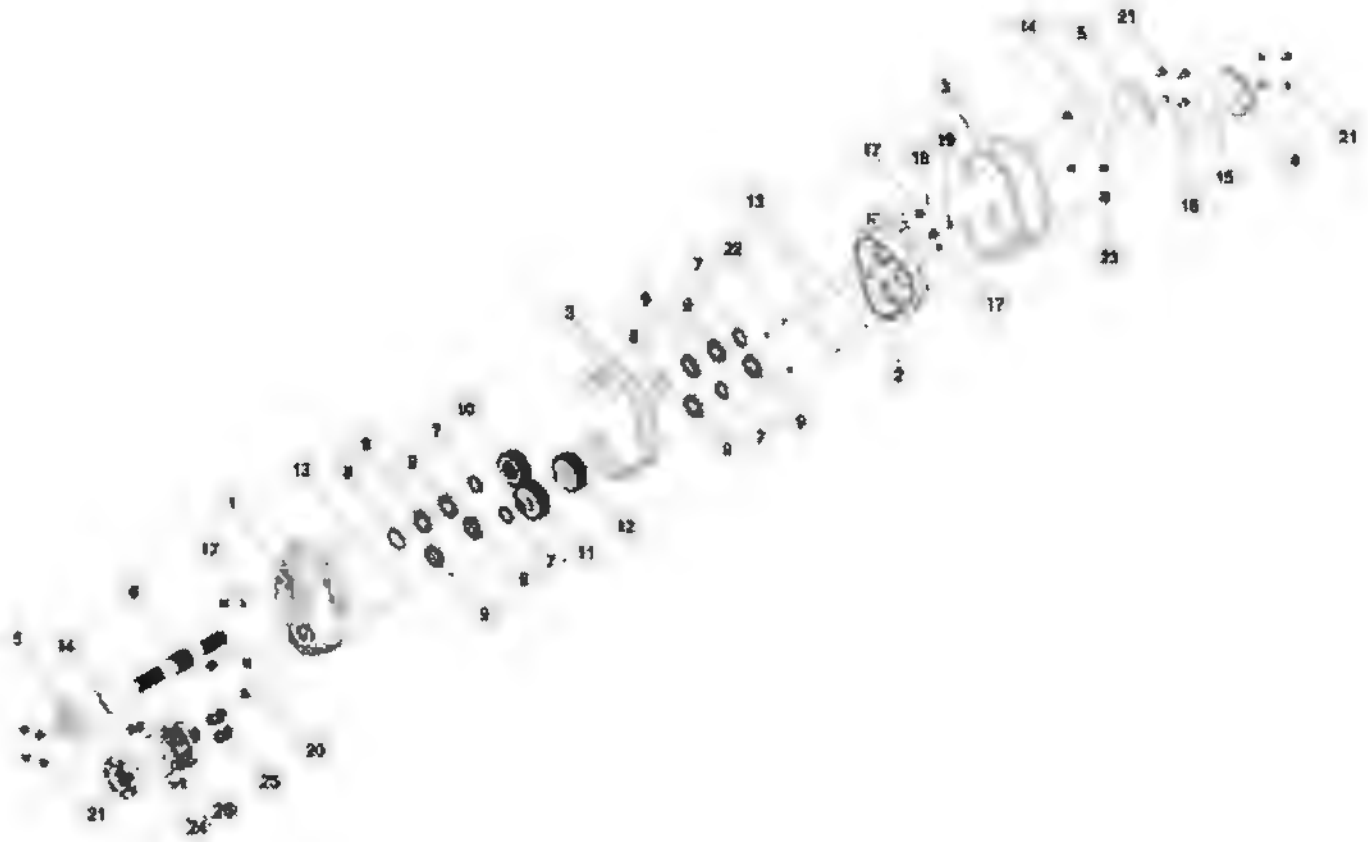




FIGURE 5 ROLLER ASSEMBLY & COMPONENTS

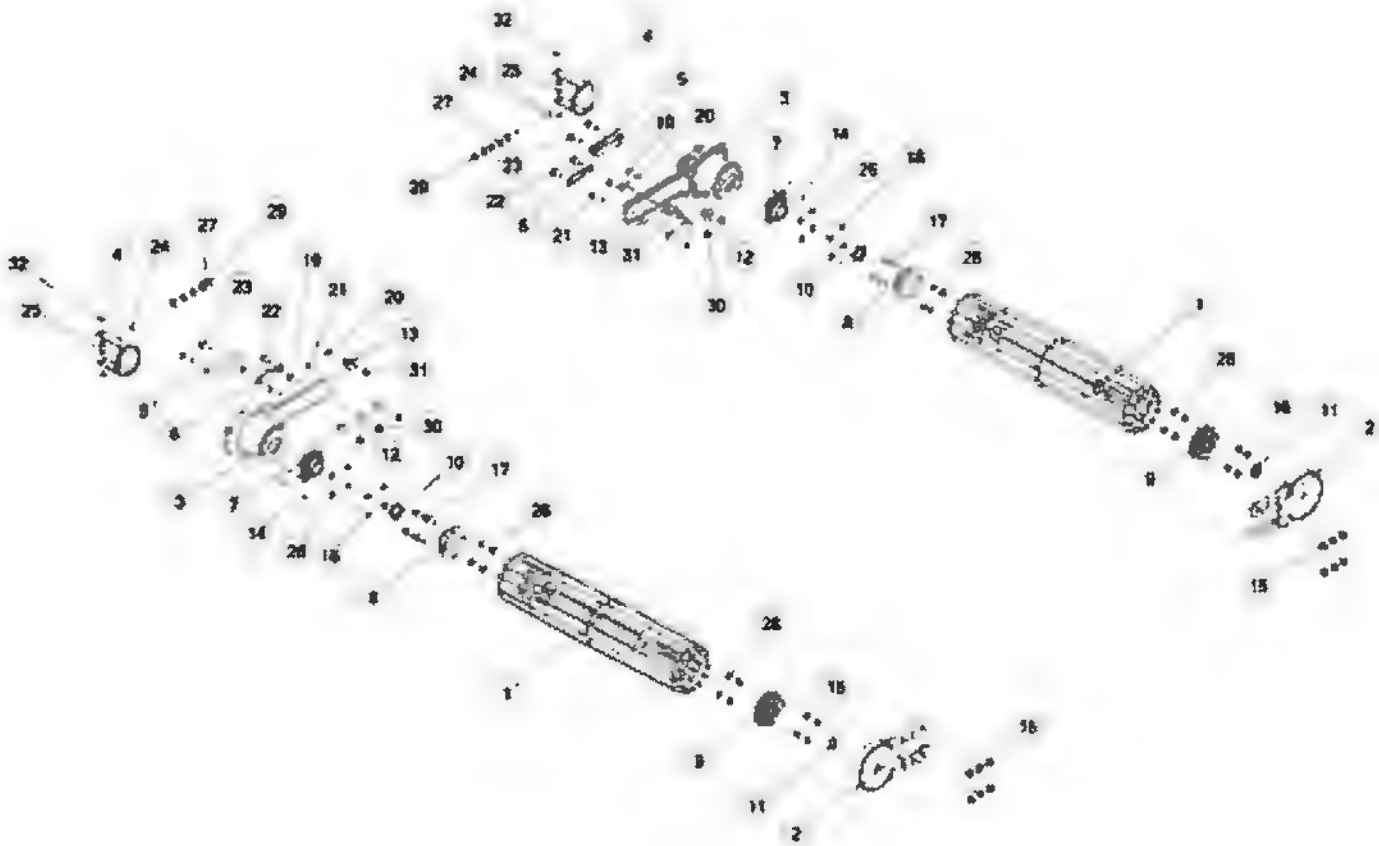




FIGURE 6
BELT PAN & COMPONENTS

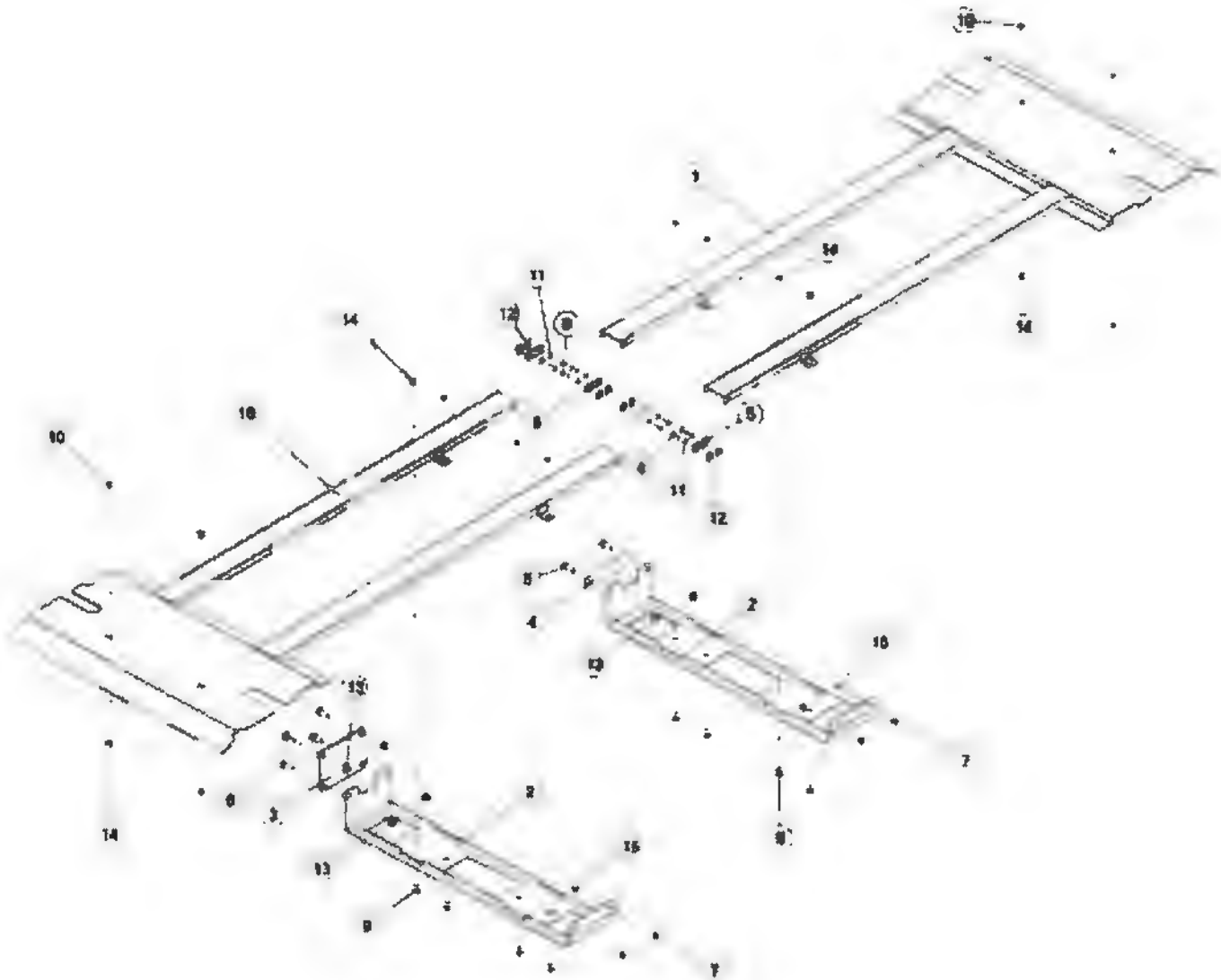




FIGURE 6

BELT PAN & COMPONENTS

REF #	PART #	DESCRIPTION	QTY
1	95662B1	BELT PAN	1
2	95658B	BELT SUPPORT BRACKET	1
3	83915	CYLINDER MOUNT BASE PLATE	1
4	95683	BELT PAN SPACER	4
5	95701	CONNECTOR BRACKET	6
6	YBFB16150	BOLT FLANGE, 1/2 X 1-1/2 G5	4
7	YBFB12125	BOLT FLANGE, 3/8 X 1-1/4 G5	8
8	YBHH10010	BOLT, HEX, 5/16-18 X 1, G5, ZC	8
9	YBCR12010	BOLT, CARR, 3/8-16 X 1.00, GR5, ZC	4
10	YBCR12065	BOLT, CARR, 3/8-16 X 3/4, GR5, ZC	8
11	YWLO10005	WASHER, LOCK, 5/16	8
12	84124	U NUT, 5/16-18, .15 X .562	6
13	YNFG16003	NUT FLANGE, 1/2 GF	8
14	YNRL12005	NUT HEX, 3/8-16, LKRS, A, ZC	4
15	YNFG12006	NUT FLANGE, 3/8 GF	1
16	95662B	BELT PAN	1





FIGURE 7 SKID SHOES & COMPONENTS

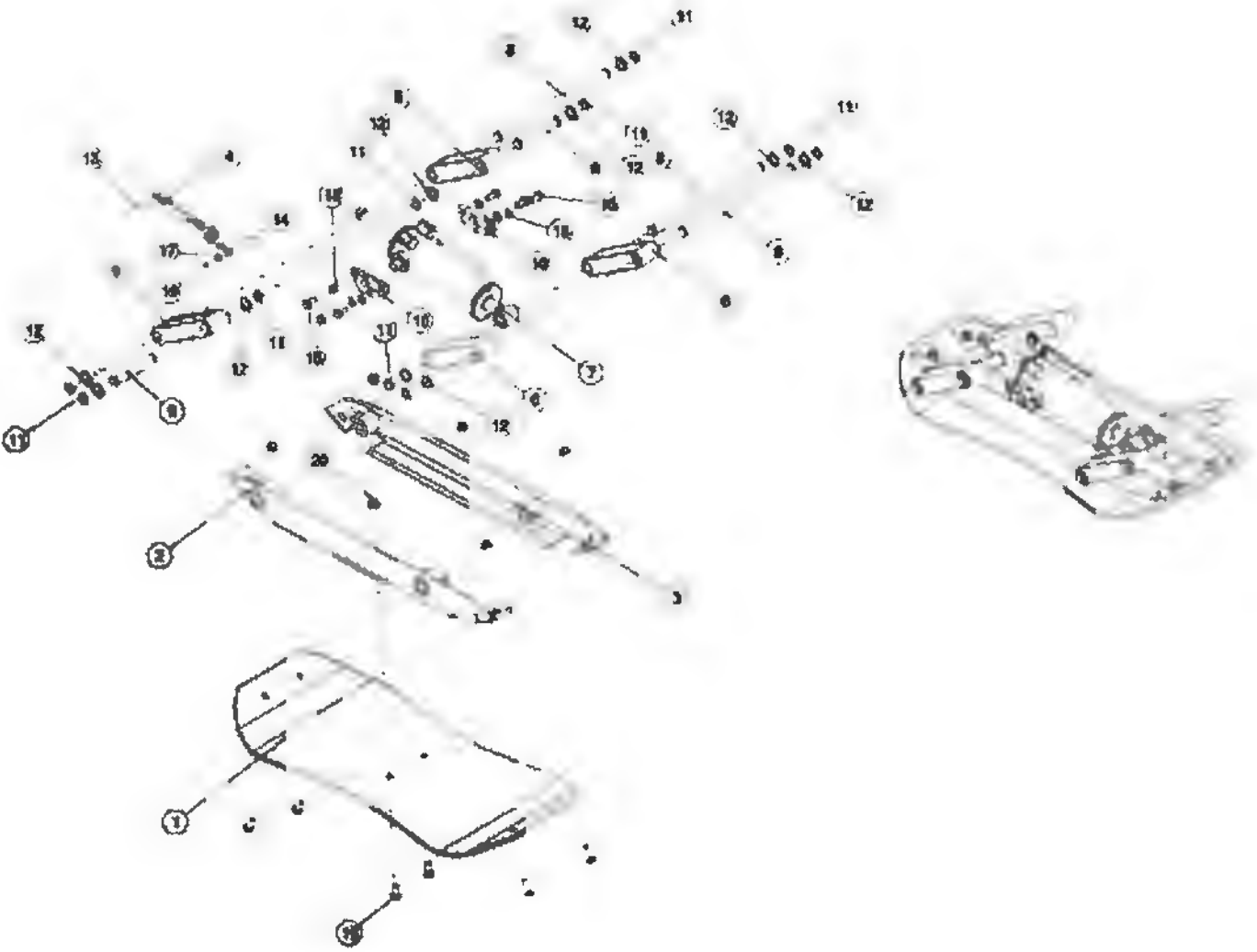




FIGURE 7

SKID SHOES & COMPONENTS

REF #	PART #	DESCRIPTION	QTY
1	71098	SKID SHOE LARGE	1
2	71325	SKID SHOE BRACKET	1
3	71324	SKID SHOE BRACKET	1
4	HS101850	HEAD HEIGHT SENSOR	1
5	79706	BRKT, SENSORED LINKAGE	1
6	86578	BRKT, SKID SHOE LINKAGE	3
7	90462	HYDRAULIC CYLINDER, 3 1/2 X 6	1
*	90463	SEAL KIT	1
8	71062	PIN, TFM LONG	3
9	71058	PIN, TFM SHORT	2
10	57435	TRUNNION PLATE	2
11	3G21	SNAP RING, 1 HEAVY DUTY	10
12	YWFL32010	WASHER FLAT, 1.5 X 1.0 X .070 ZY	10
13	YSHS64005	BOLT SOCKET, #10-24 X 1/2 BO	1
14	YSHS64015	BOLT, SOCKET, #10-24 X 1, BO	1
15	YBHH16010	BOLT, 1/2-13 X 1 G5	2
16	YBPL16015	BOLT, PLOW, 1/2-13 X 1-1/2 G5 ZC	1
17	YWFL64005	WASHER, FLAT, STAINLESS STEEL, 1/-8 #10	1
18	YWLO16005	WASHER, LOCK, 1/2	2
19	YNNY64005	NUT, HEX, #10-24, LKNY, G2, ZC	1
20	YNFG16005	NUT, FLANGE, 1/2-13, LKTL, G, ZC	1





FIGURE 8

BELT & COMPONENTS

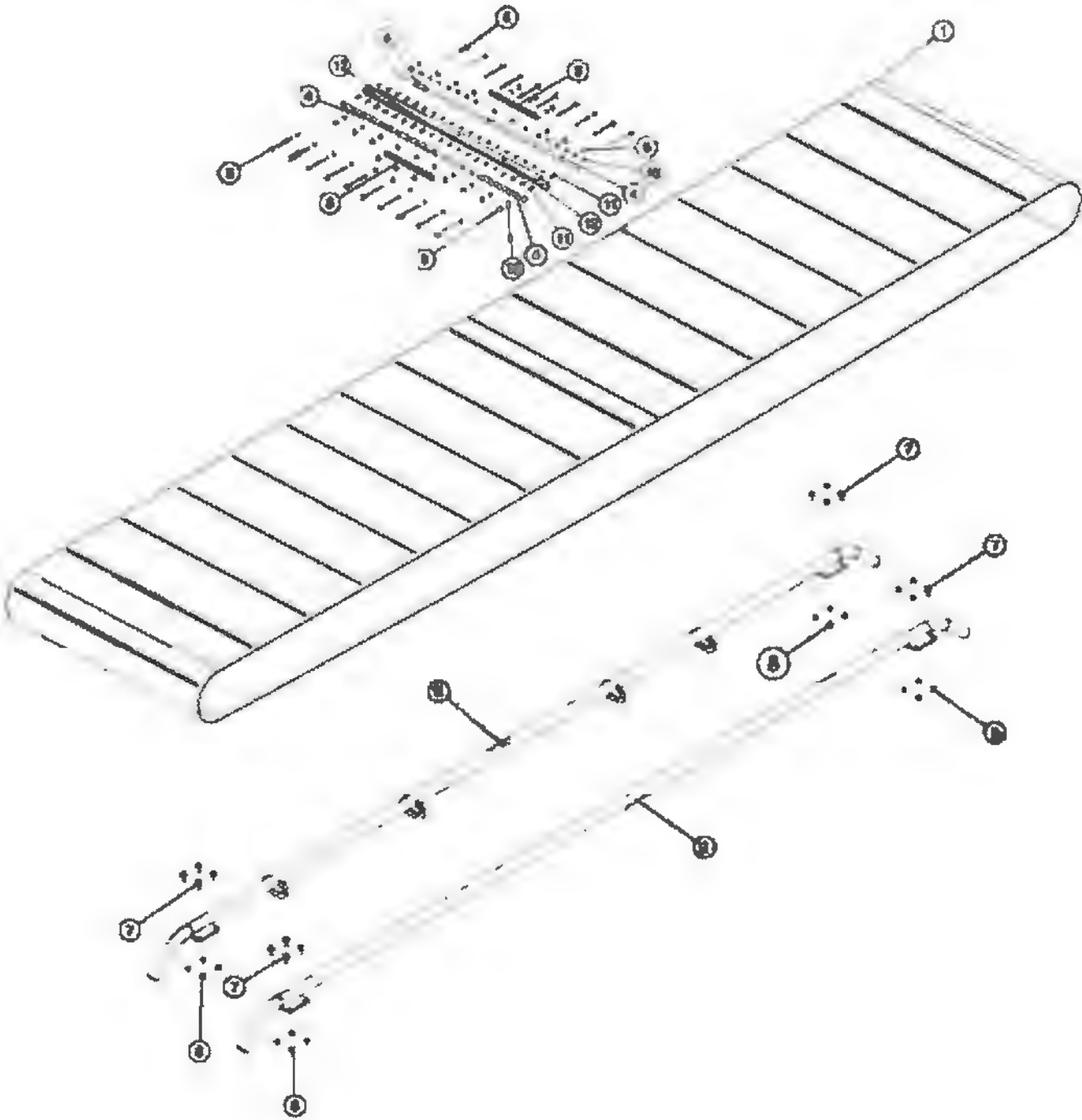




FIGURE 8

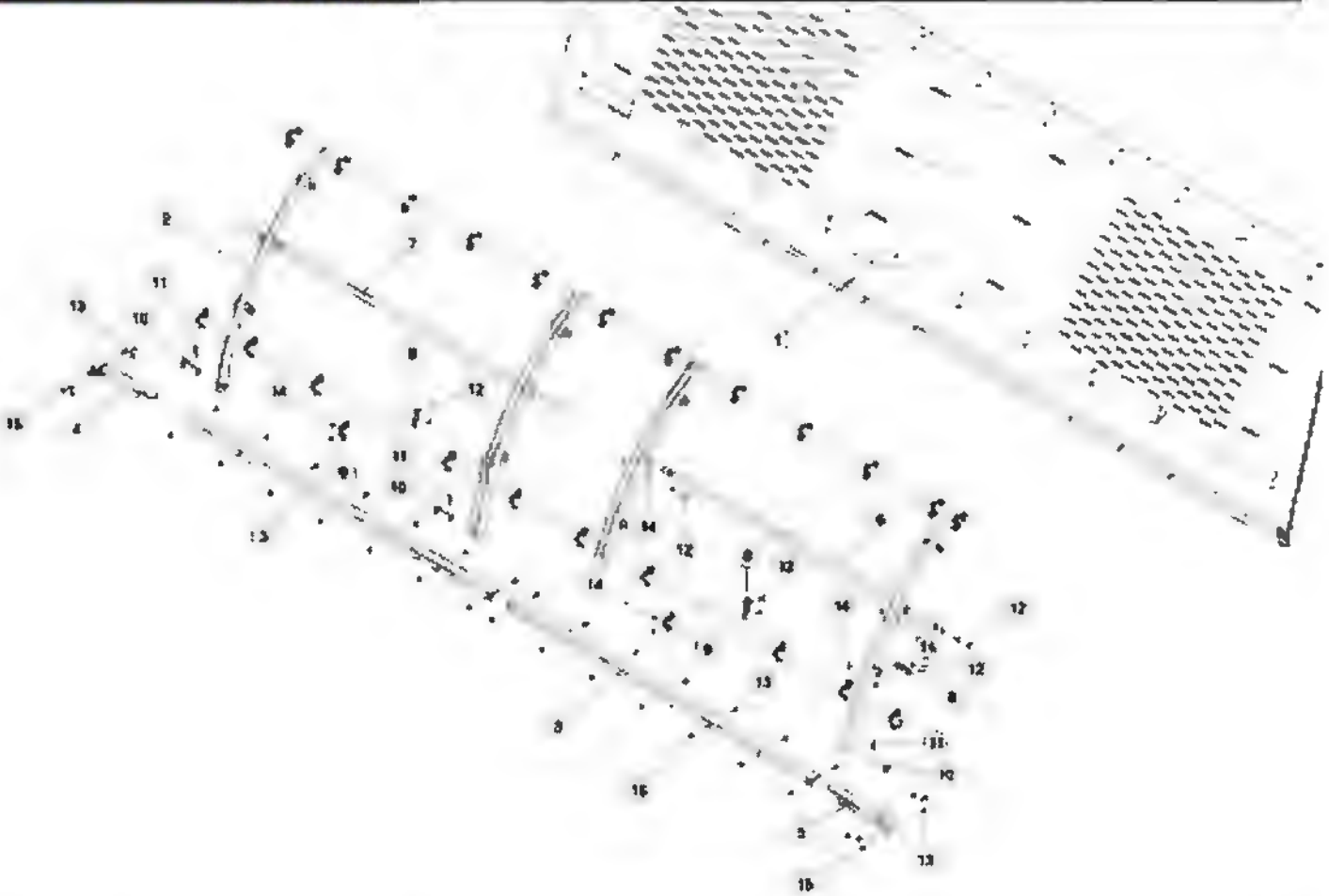
BELT & COMPONENTS

REF #	PART #	DESCRIPTION	QTY
1	94497	BELT INCLUDES ITEM 11 & 4	2
2	94781	BELT SUPPORT RAIL	2
3	94779	BELT SUPPORT RAIL	2
4	75703	BELT CLAMP, RND	8
5	96606	BELT TIE	4
6	YBFB08050	BOLT FLANGE, 1/4 X 4 G5	40
7	YBFB12003	BOLT FLANGE, 3/8 X 1 G5	32
8	YNFG12006	NUT FLANGE, 3/8 GF	32
9	YNFG08005	HEX NUT, FLANGED, TOP LOCK, 1/4-20, GR F, ZC	2
10	YWCU08005	WASHER, CUSTOM, BELLEVILLE, 1/4, 18-8 S/S	40
11	GM234	RIVET, 3/16 DIA, .376 - .50 GRIP	80
12	SPMPL06	POLY WEAR STRIP	4
*	66288	POLY WEAR STRIP (THIN)	1
*	76370	SPLICE KIT	1
*	97187	BELT KIT ASSEMBLY INCLUDES ITEM 5-10	1





FIGURE 9 DEFLECTOR & COMPONENTS

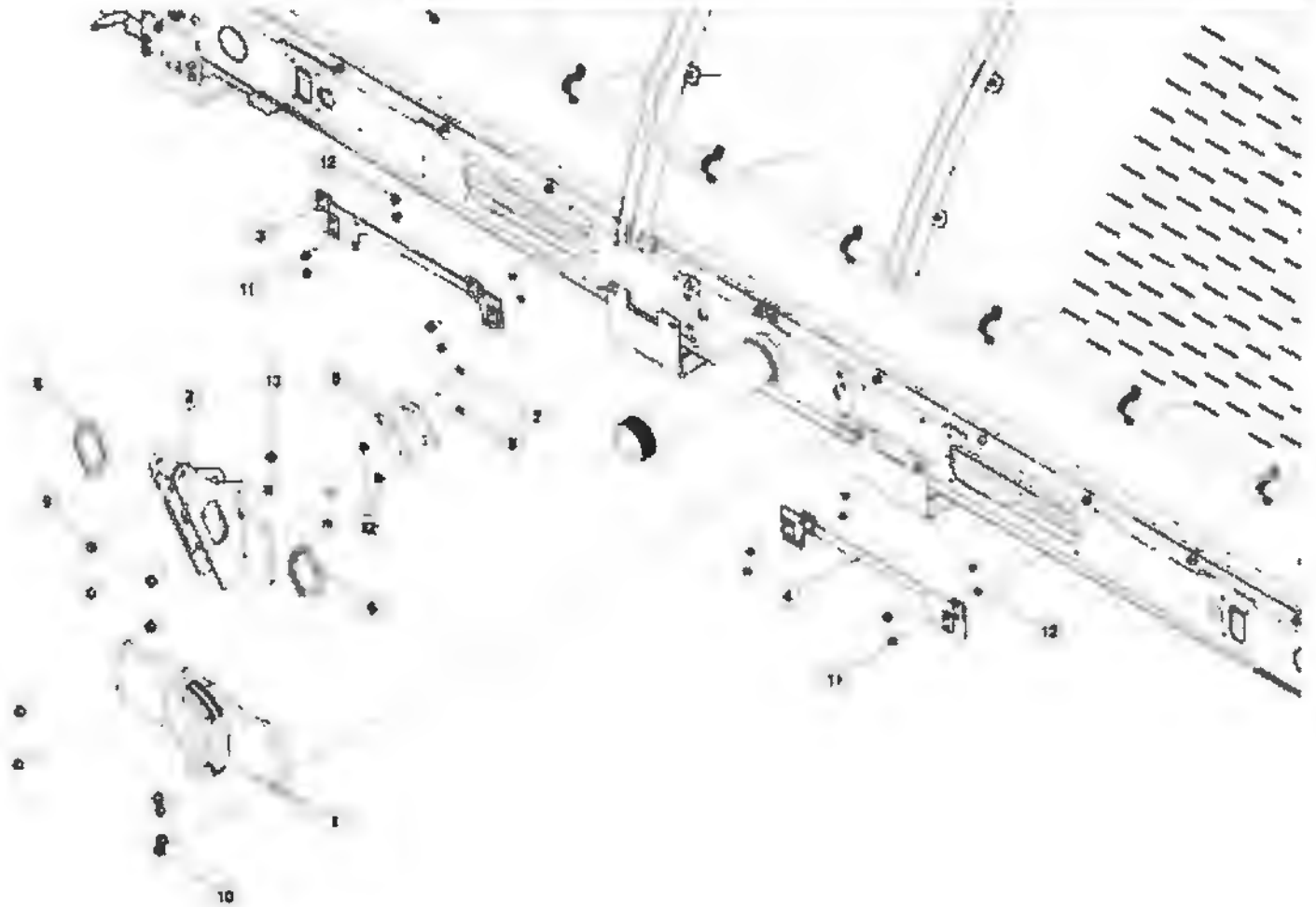


REF #	PART #	DESCRIPTION	QTY
1	94526	DEFLECTOR PANEL, LH	1
*	94534	DEFLECTOR PANEL, RH	1
2	94522	DEFLECTOR FRAME, LH	1
*	94525	DEFLECTOR FRAME, RH	1
3	94748	DEFLECTOR GUIDE PLATE	4
4	85988	BELT GUARD	2
5	85991	BELT GUARD	2
6	94528	CLAMPING STRIP, SHORT	2
7	94527	CLAMPING STRIP, LONG	2
8	84178	CLAMP PLATE	72
9	84177	TUBE CLAMP	60
10	86652	DEFLECTOR PIN	6
11	YPCT06015	COTTER PIN, 3/16 X 1-3/4	6
12	YBCR08005	BOLT CARRIAGE, 1/4-20 X 1.00, G5, ZC	144
13	YBCR12010	BOLT CARRIAGE, 3/8-16 X 1.00, G5, ZC	40
14	YNFG08010	NUT FLANGE, 1/4 GF	144
15	YNFG12006	NUT FLANGE, 3/8 GF	40



FIGURE 10

HEAD CYLINDER MOUNT & COMPONENTS



REF #	PART #	DESCRIPTION	QTY
1	92105	LOCKING BRACKET	2
2	83920	CYLINDER MOUNT	2
3	96408	MOUNTING BRACKET, HYD	2
4	96410	MOUNTING BRACKET, HYD	2
5	96036	PLATE	4
6	93450	EDGING TWIN FLEX	4
7	YBFB12300	BOLT FLANGE, 3/8 X 3 G5	2
8	YBFB12150	BOLT FLANGE, 3/8 X 1-1/2 G5	2
9	YBFB16150	BOLT FLANGE, 1/2 X 1-1/2 G5	8
10	YBFB16125	BOLT FLANGE, 1/2 X 1-1/4 G5	12
11	YBFB12003	BOLT FLANGE, 3/8 X 1 G5	16
12	YNFG12006	NUT FLANGE, 3/8 GF	20
13	YNFG16003	NUT FLANGE, 1/2 GF	8



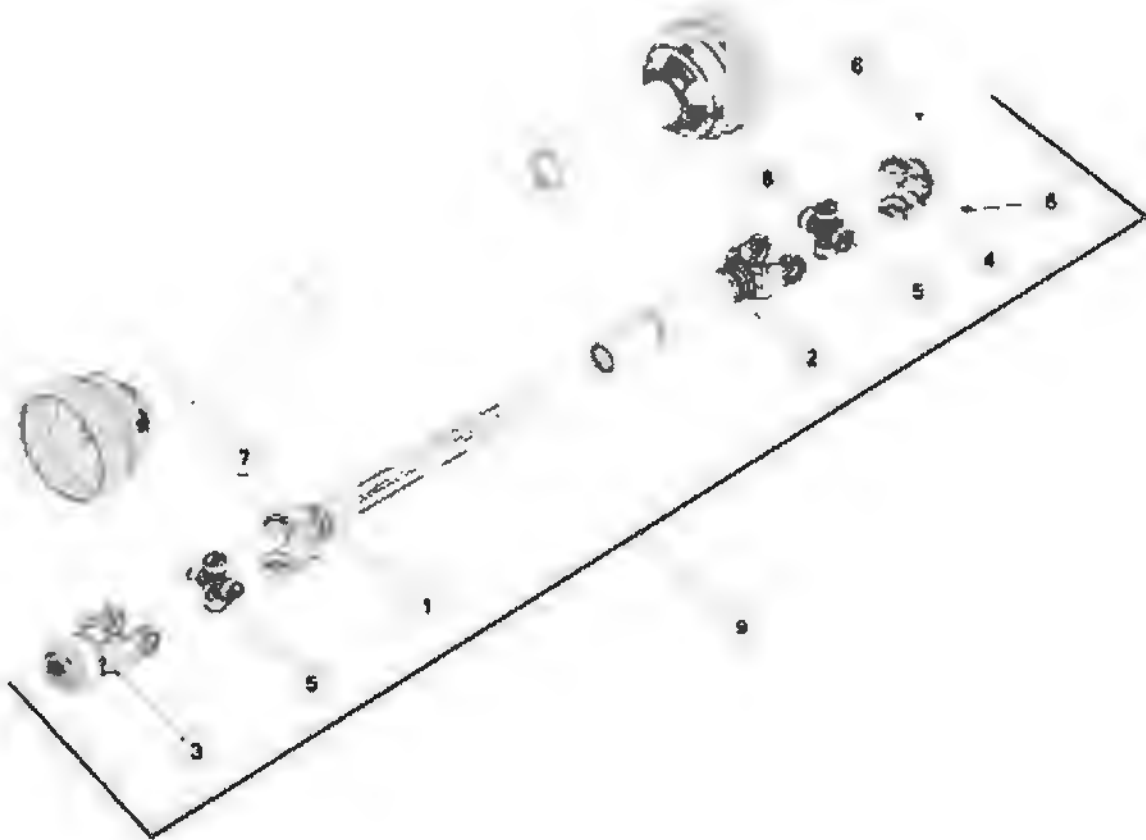
PAGE INTENTIONALLY BLANK

PTOs and OPTIONS





FIGURE 1
UFO1034LPTO
PTO 1-3/4 1000 RPM LONG



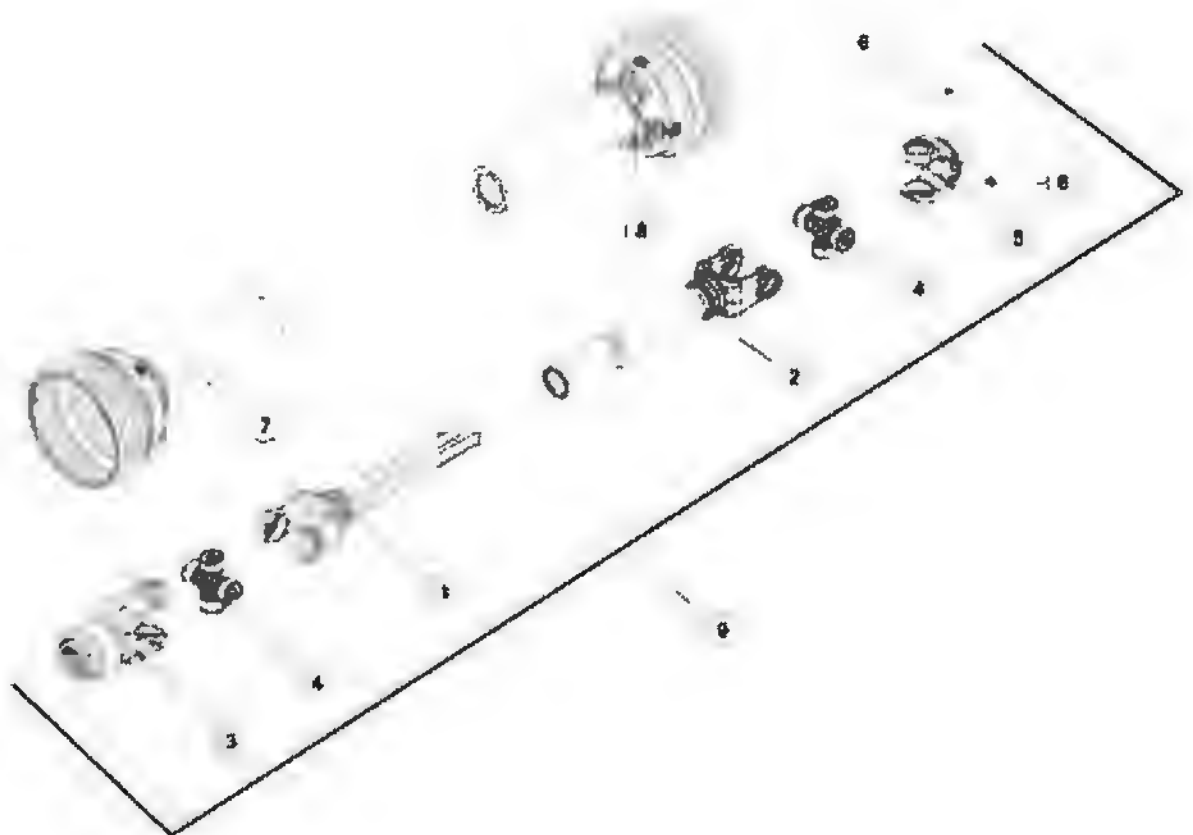
REF #	PART #	DESCRIPTION	QTY
1	91876	YOKE 35 SHAFT, FRONT	1
2	79781	YOKE, TUBE, SLIP SLEEVE	1
3	55N69	ASSY, YOKE, 35, SLIDE LOCK	1
4	79325	YOKE, 1-1/4 X 5/16	1
5	16SV179	ASSY, CROSS KIT, 35R	2
6	YSKP12025	SET SCRW, SCKE, KNURL CUP PT, 3/8-16 X 3/8	2
7	91877	PTO OUTER GUARD	1
8	79780	PTO INNER GUARD	1
9	91888	COMPLETE PTO, 1-3/4 1000 RPM	1



FIGURE 2

UFO1034PTO

PTO 1-3/4 1000 RPM STANDARD



REF #	PART #	DESCRIPTION	QTY
1	79321	YOKE, SHAFT, FRONT	1
2	79322	YOKE, TUBE, SLIP SLEEVE	1
3	55N69	ASSY, YOKE, 35, SLIDE LOCK	1
4	16SV179	ASSY, CROSS KIT, 35R	2
5	79325	YOKE, 1-1/4 X 5/16	1
6	YSKP12025	SET SCRW, SCKT, KNURL CUP PT, 3/8-16 X 3/8	2
7	79326	PTO OUTER GAURD	1
8	79327	PTO INNER GUARD	1
9	79312	PTO, 1000, 1 3/4-20	1

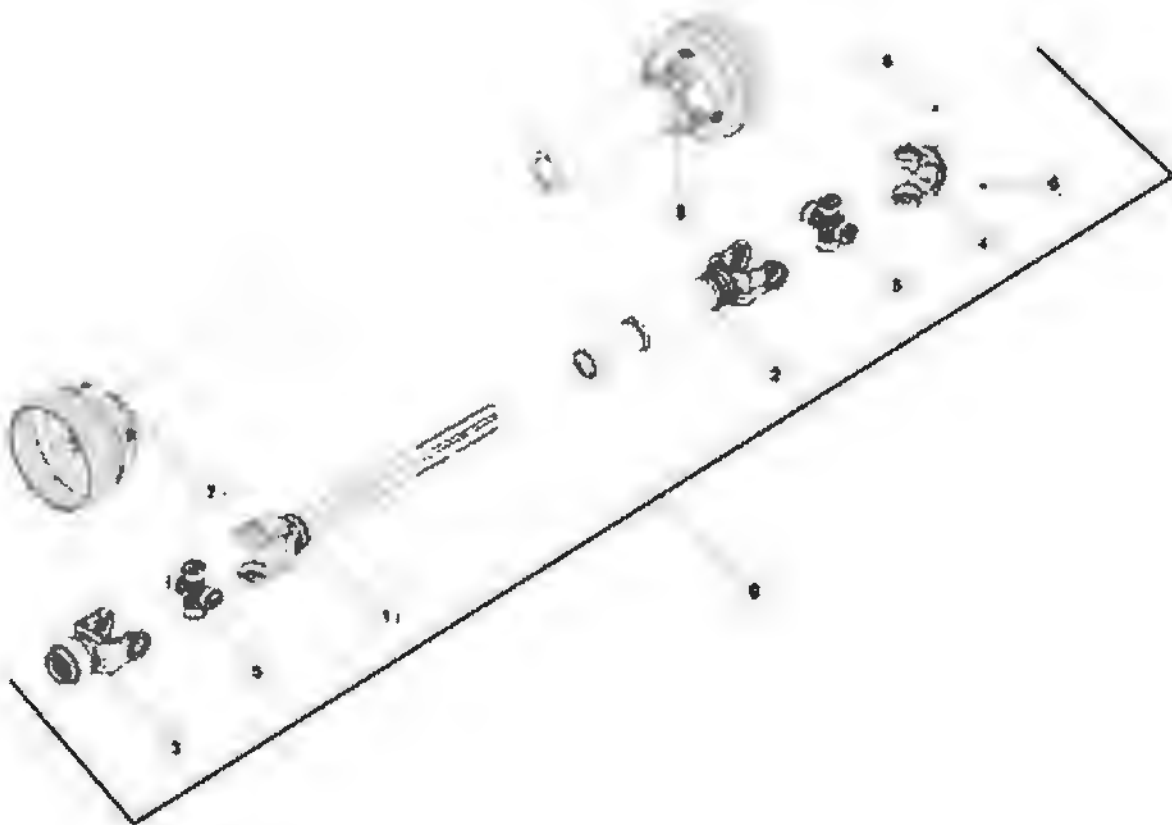




FIGURE 3

UFO1038LPTO

PTO 1-3/8 1000 RPM LONG



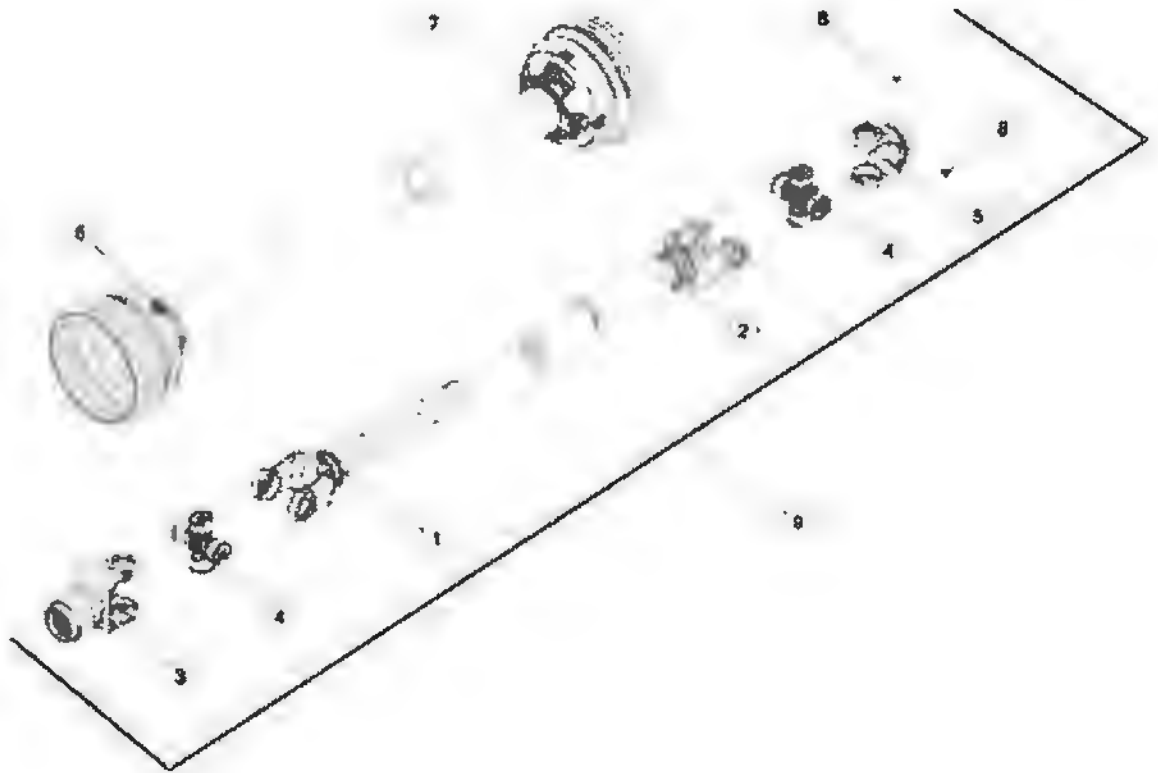
REF #	PART #	DESCRIPTION	QTY
1	91876	YOKE 35 SHAFT, FRONT	1
2	79781	YOKE, TUBE, SLIP SLEEVE	1
3	55N68	ASSY, YOKE, 35, SLIDE LOCK	1
4	79325	YOKE, 1-1/4 X 5/16	1
5	16SV179	ASSY, CROSS KIT, 35R	2
6	YSKP12025	SET SCRW, SCKT, KNUURL CUP PT, 3/8-16 X 3/8	2
7	91877	PTO OUTER GUARD	1
8	79780	PTO INNER GUARD	1
9	91879	COMPLETE PTO, 1-3/8 1000 RPM	1



FIGURE 4

UFO1038PTO

PTO 1-3/8 1000 RPM STANDARD



REF #	PART #	DESCRIPTION	QTY
1	79779	YOKE, SHAFT, FRONT	1
2	79781	YOKE, TUBE, SLIP SLEEVE	1
3	55N68	ASSY, YOKE, 35, SLIDE LOCK	1
4	16SV179	ASSY, CROSS KIT, 35R	2
5	79325	YOKE, 1-1/4 X 5/16	1
6	79778	PTO OUTER GAURD	1
7	79780	PTO INNER GUARD	1
8	YSKP12025	SET SCRW, SCKT, KNURL CUP PT, 3/8-16 X 3/8	2
9	79311	PTO, 1000, 1 3/8-21	1





FIGURE 5
OPTIONAL IN CAB DISPLAY
(TFOICG)







Manufactured By:

H&S MANUFACTURING CO., INC.

2608 S. HUME AVE. MARSHFIELD, WI 54449
(715) 387-3414 | hsmfgco.com

