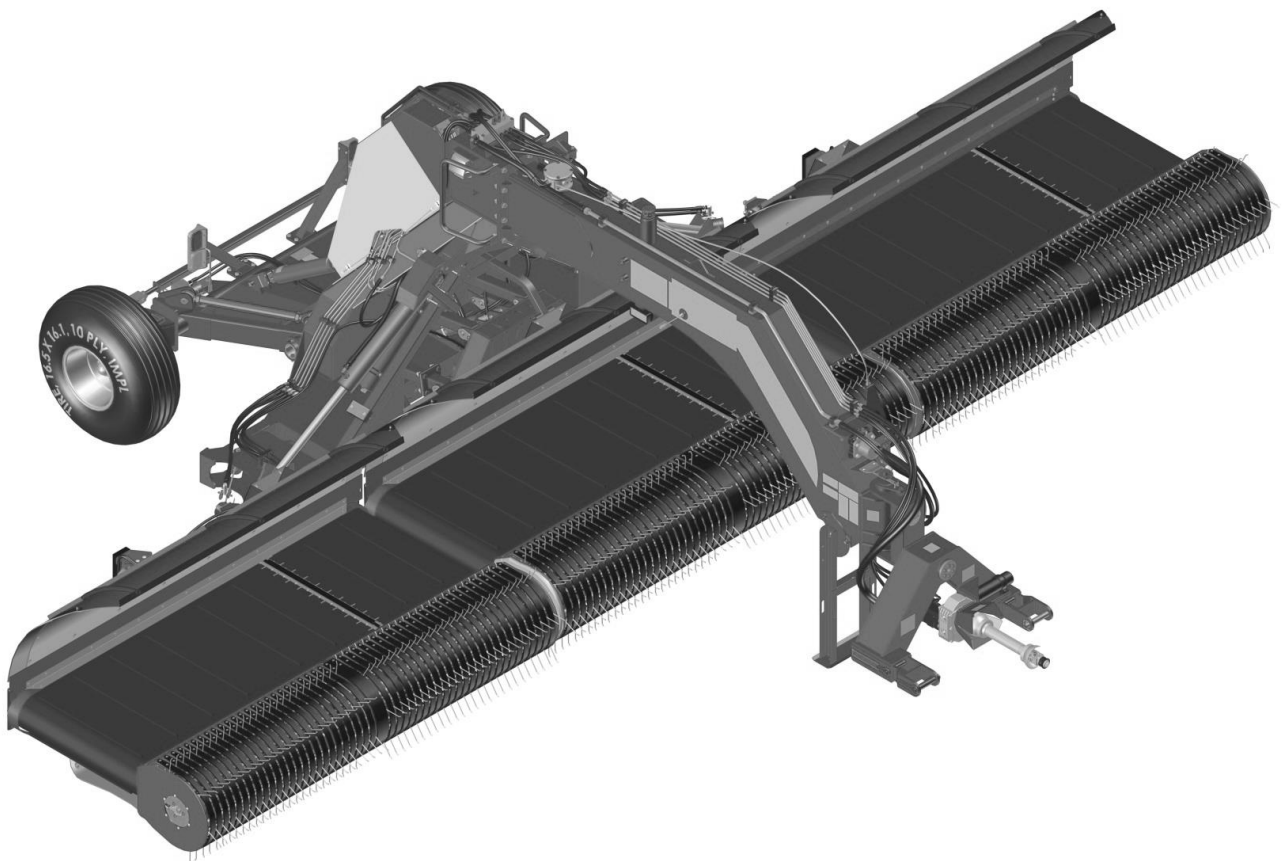


# **H&S PARTS BOOK**

## **TF6130**



Revision #01  
Starting Ser.#711045

Part #72429  
HSMFG0417

**P.O. BOX 768, MARSHFIELD, WI 54449**  
**(715) 387-3414 FAX (715) 384-5463**  
**[www.hsmfgco.com](http://www.hsmfgco.com)**

# CONTENTS

Instructions For Ordering Parts – About Improvements .....	1
Figure 1 - Hitch Assembly .....	2-3
Figure 2 - Speed Increaser Gearbox Assembly .....	4-5
Figure 3 - Hinge Pivot Assembly .....	6-7
Figure 4 - Quick Lock Post Assembly.....	8-9
Figure 5 - Front Pole & Components.....	10-11
Figure 6 - Front & Rear Assembly.....	12-13
Figure 7 - Shields & Hardware .....	14-15
Figure 8 - Axle Base Assembly .....	16-17
Figure 9 - Steering Cylinder Assembly.....	18-19
Figure 10 - Axle Assembly.....	20-21
Figure 11 - Tail Light Assembly.....	22-23
Figure 12 - Deflector Stop .....	24-25
Figure 13 - Center Head Lift.....	26-27
Figure 14 - Pivot Arm Assembly.....	28-29
Figure 15 - Pivot Assembly .....	30-31
Figure 16 - Poly Deflector Assembly .....	32-33
Figure 17 - Conveyor Belt Assembly.....	34-35
Figure 18 - Poly Guide Assembly.....	36-37
Figure 19 - Head Frame & Components .....	38-39
Figure 20 - End Section.....	40-41
Figure 21 - Driver Roller Assembly.....	42-43
Figure 22 - Tine Bar Assembly.....	44-45
Figure 23 - Drive Cam Assembly.....	46-47
Figure 24 - Gearbox Assembly.....	48-49
Figure 25 - Skid Shoe Linkage .....	50-51

Figure 26 - Head Height Dial.....	52-53
Figure 27 - Main Valve .....	54-55
Figure 28 - Hydraulics .....	56-57
Figure 29 - Left Head Hydraulic & Components.....	58-59
Figure 30 - Left Side Hydraulic Tubes Lines & Components .....	62-65
Figure 31 - Rear Cylinder Hydraulics .....	66-67
Figure 32 - Center Head Hydraulic & Components .....	68-69
Figure 33 - Right Head Hydraulic & Components.....	70-73
Figure 34 - Left Side Hydraulic Tubes Lines & Components .....	74-77
Figure 35 - Grease System .....	78-79
Figure 36 - PTO Assembly (Short) .....	80-81
Figure 37 - PTO Assembly (Long).....	82-83
Figure 38 - Control Box .....	84-85
Figure 39 - Front Wiring Harness.....	86-87
Figure 40 - Rear Wiring Harness.....	88
Figure 41 - Center Head Harness .....	89
Figure 42 - Wing Fold Harness .....	90
Figure 43 - Valve Wiring Harness .....	91
Figure 44 - Relay Wiring Harness .....	92
Figure 45 - Power Supply Wiring Harness .....	93
Figure 46 - Jumper Harness For Steering Valve.....	94
Figure 47 - Hydraulic Schematic .....	95
Notes.....	96

# INSTRUCTIONS FOR ORDERING PARTS

All service parts should be ordered through your authorized H&S dealer. They will be able to give you faster service if you will provide them with the following

1. Model & Serial number is located on the front, right main frame near pole pivot of your unit.
2. All reference to left or right apply to the machine as viewed from the rear.
3. Parts should not be ordered from illustration only. Please order by complete part number.
4. If your dealer has to order parts - give shipping instructions:

VIA truck - large pieces (please specify local truck lines)

VIA United Parcel Service (include full address)

H&S MFG. CO. INC.	
MARSHFIELD, WIS.	
MOD. NO.	<input type="text"/>
SER. NO.	<input type="text"/>
DESCR.	<input type="text"/>

PLEASE RECORD NUMBERS FOR YOUR UNIT FOR QUICK REFERENCE

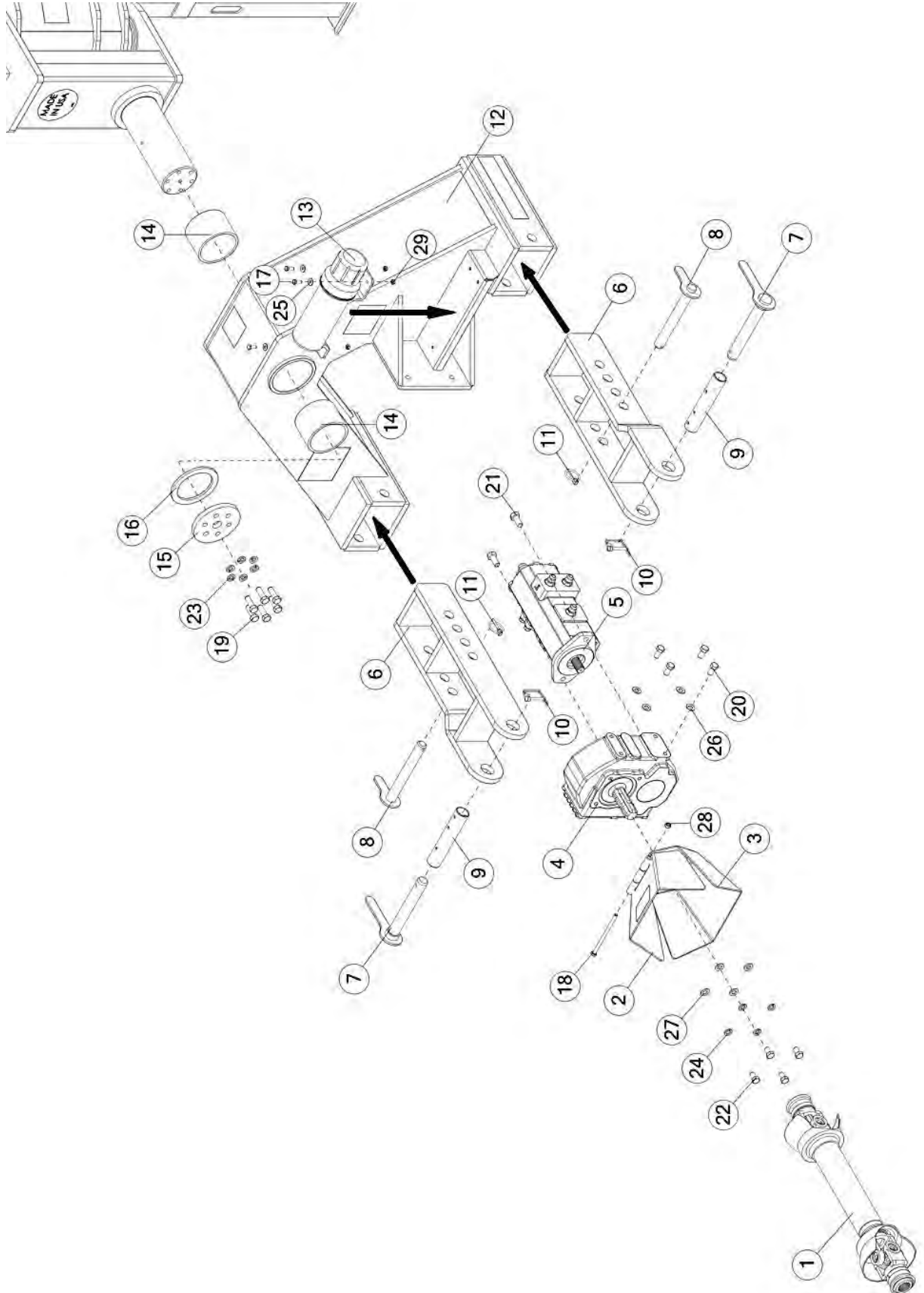
## **ABOUT IMPROVEMENTS**

H&S IS CONTINUALLY STRIVING TO IMPROVE IT'S PRODUCTS

We must therefore, reserve the right to make improvements or changes whenever it becomes practical to do so without incurring any obligation to make changes or additions to the equipment previously sold.

# FIGURE 1

## HITCH ASSEMBLY



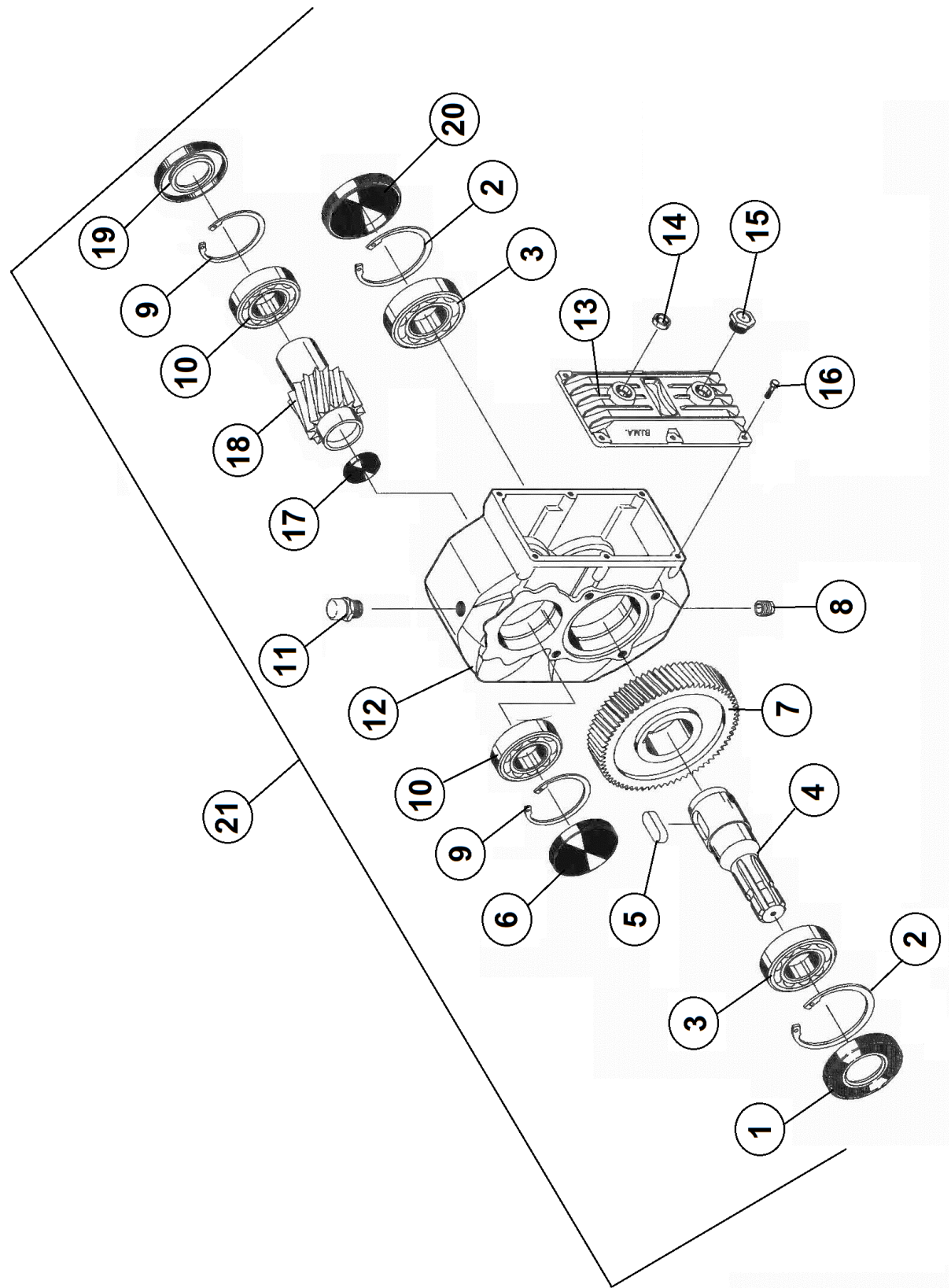
# FIGURE 1

## HITCH ASSEMBLY

<u>ITEM</u>	<u>QTY</u>	<u>PART #</u>	<u>DESCRIPTION</u>
1	1	TFM98	1-3/8 1000 RPM PTO,STANDARD
*	1	TFM100	1-3/4"-20 SPLINE PTO
*	1	56337	PTO, 1-3/4-20
*	1	56338	PTO, 1-3/8-21
2	1	PTMWE97	TOP PTO SHIELD
3	1	PTMWE96	BOTTOM PTO SHIELD
4	1	TFM15	SPEED INCREASER GEARBOX
5	1	TFM14	PREMCO TRIPPLE PUMP
*	1	8247	SEAL KIT
6	2	SHM4WE05	HITCH OFFSET
7	2	PTMWE65	HITCH PIN
8	2	PTMWE16	HITCH ADJUSTMENT PIN
9	2	PTMTU56	ADAPTER TUBE
10	2	DWM324	LYNCH PIN
11	2	YPLY06010	LYNCH PIN, 3/16 X 1-9/16
12	1	SHM4WE01	POLE HITCH
13	1	S522	MANUAL HOLDER
14	2	16SV75	BUSHING
15	1	SHM2HF104	HITCH PIVOT END CAP
16	1	SHM2MS29	HITCH THRUST WASHER
17	3	YBHH08095	BOLT, 1/4-20 X 3/4 GR 2
18	1	YBHH10133	5/16-18 X 5-1/2 HEX CAP SCREW ZNC
19	6	YBHH16030	BOLT, 1/2 X 1-1/2 GR 5
20	4	YBHH78020	BOLT, M12-1.75 X 25
21	2	YBHH80015	HEX BOLT M14-2 X 30 MM 8.8 GR ZINC
22	4	YBHH8010	BOLT, M12-1.75 X 20
23	6	YWLO16005	WASHER, LOCK, 1/2
24	4	YWLO78015	WASHER, LOCK, M12
25	3	YWFL08005	WASHER, FLAT, 1/4 USS
26	4	YWFL14010	WASHER, FLAT, 7/16" SAE GR. 8
27	4	YWFL780020	WASHER, FLAT, M12
28	1	YNNY10005	HEX NUT, NYLON LOCKNUT, 5/16-18
29	3	YNRL08005	HEX NUT, REVERSIBLE-SIDE LOCK, 1/4-20

**\* MEANS NOT SHOWN**

# FIGURE 2 SPEED INCREASER GEARBOX ASSEMBLY



## **FIGURE 2**

### **SPEED INCREASER GEARBOX ASSEMBLY**

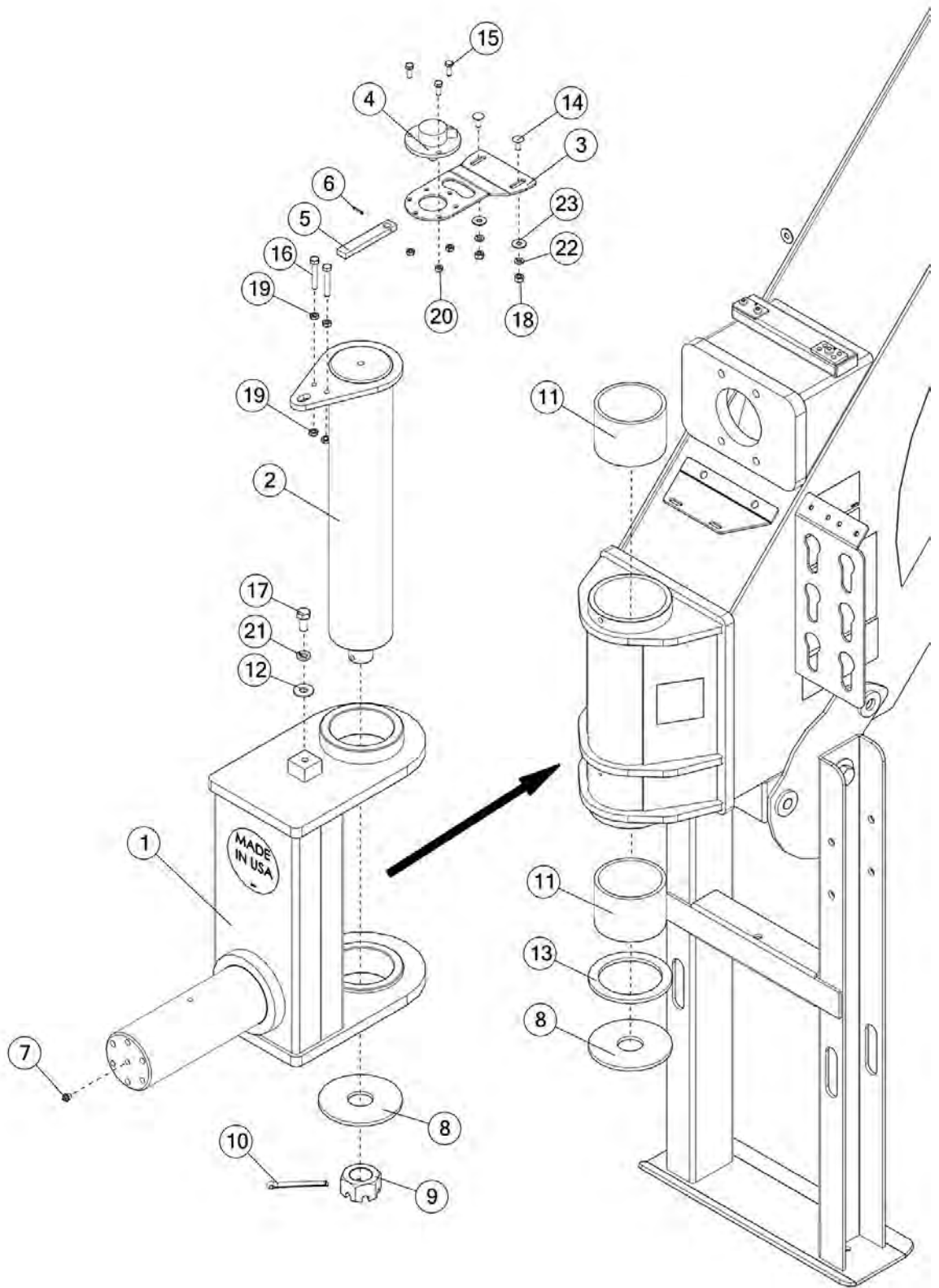
<b><u>ITEM</u></b>	<b><u>QTY</u></b>	<b><u>PART #</u></b>	<b><u>DESCRIPTION</u></b>
1	1	8520	OIL SEAL, 50mm X90mm X 10mm
2	2	8521	SNAP RING, 90mm
3	2	8522	BEARING
4	1	8523	DRIVE SHAFT
5	1	8524	KEY, 16 mm X 10 mm X 40 mm
6	1	8525	PLUG
7	1	8526	DRIVER GEAR
8	1	8527	DRAIN PLUG, 3/8"NPTF
9	2	8528	SNAP RING, 80 mm
10	2	8529	BEARING
11	1	8530	VENT PLUG, 3/8" NPTF
12	1	8531	HOUSING
13	1	8532	COVER
14	1	8533	PLUG
15	1	8534	SIGHT GAGE, 1/2" NPTF
16	6	8535	SCREW, M6 X 16 UNI 5739
17	1	8536	PLUG
18	1	8537	DRIVEN GEAR
19	1	8538	OIL SEAL, 35mm X 80mm X 10mm
20	1	8539	PLUG
21	1	TFM15	SPEED INCREASER (COMPLETE)

**A/R MEANS AS REQUIRED**



# FIGURE 3

## HINGE PIVOT ASSEMBLY

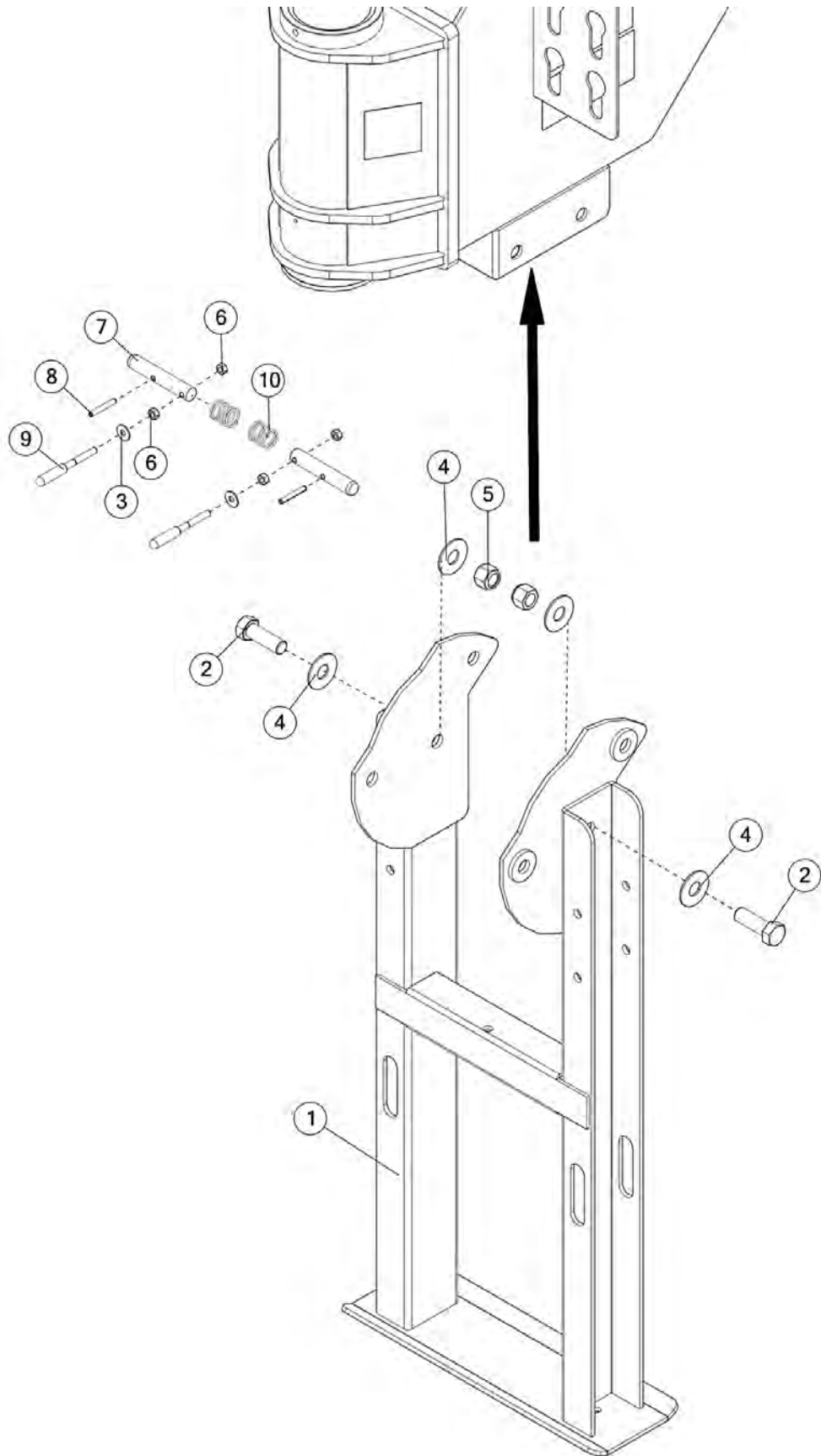


## FIGURE 3

### HINGE PIVOT ASSEMBLY

<u>ITEM</u>	<u>QTY</u>	<u>PART #</u>	<u>DESCRIPTION</u>
1	1	SHM2WE170	HITCH HINGE
2	1	71330	WLDMT, TFM 35' KINGPIN
3	1	71047	BKRT, STR POT MOUNT
4	1	TFM12	350 ROTARY SENSOR
5	1	PTMHF110	ROTARY SENSOR LEG
6	1	YPSP05005	SPRING PIN, 5/32 X 3/4
7	1	BFR28	1/8" NPT GREASE ZERK
8	2	SHM23G114	PIVOT RETAINING WASHER
9	1	YNSL40005	HEX NUT, SLOTTED, 1-1/2"-12
10	1	YPCT10010	COTTER PIN, 5/16 X 3
11	2	16SV75	BUSHING
12	1	YWFL16005	WASHER, FLAT, 1/2 USS
13	1	SHM2MS29	HITCH THRUST WASHER
14	2	YBCR10030	CARR. BOLT, 5/16 X 3/4 GR 5
15	3	YBHH08095	BOLT, 1/4 X 3/4 GR 2
16	2	YBHH10070	BOLT, 5/16 X 2 GR 5
17	1	YBHH16010	BOLT, 1/2 X 1 GR 5
18	2	YNHX10005	HEX NUT, 5/16 GR 2
19	2	YNJM10005	HEX NUT, JAM, 5/16
20	3	YNRL08005	HEX NUT, REVERSIBLE-SIDE LOCK, 1/4-20
21	1	YWLO16005	WASHER, LOCK, 1/2
22	2	YWLO10005	WASHER, LOCK, 5/16
23	2	YWFL10005	WASHER, FLAT, 5/16 USS

**FIGURE 4**  
**QUICK LOCK POST ASSEMBLY**

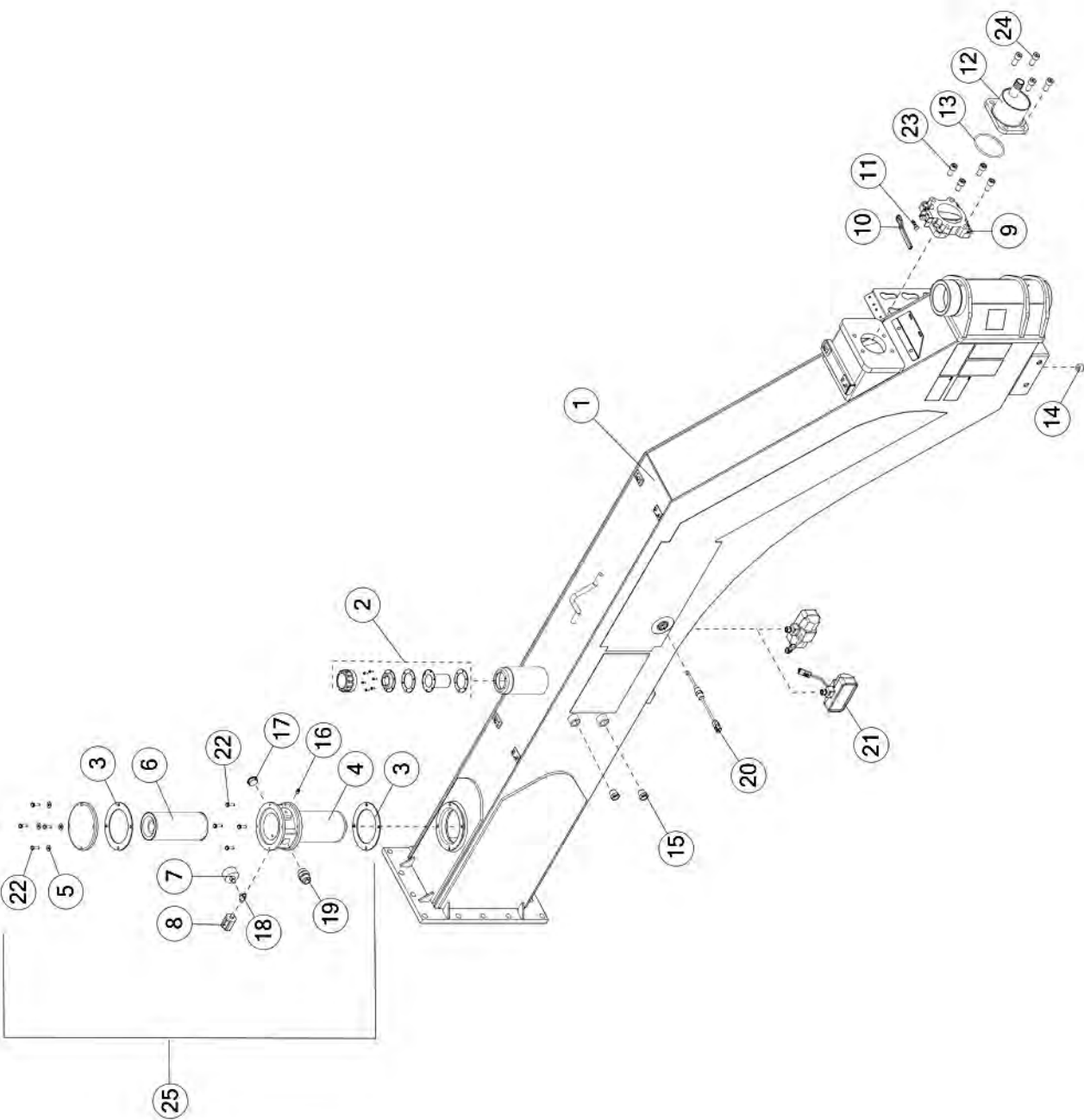


## **FIGURE 4**

### **QUICK LOCK POST ASSEMBLY**

<b><u>ITEM</u></b>	<b><u>QTY</u></b>	<b><u>PART #</u></b>	<b><u>DESCRIPTION</u></b>
1	1	PTMWE51	QUICK LOCK POST ASSM
2	2	YBHH24035	BOLT, 3/4 X 2-1/4 GR 5
3	2	YWFL10005	WASHER, FLAT, 5/16 USS
4	2	YWFL24005	WASHER, FLAT, 3/4 USS
5	2	YNNY24005	HEX NUT, NYLON LOCKNUT, 3/4
6	2	YNRL10005	HEX NUT, REVERSIBLE-SIDE LOCK, 5/16-18
7	2	PTMSH08	QUICK LOCK PIN
8	2	YPEX08015	EXPANSION PIN, 1/4 X 1 3/4
9	2	PTMSH47	GRIP PIN
10	2	BFR240	SPRING

**FIGURE 5**  
**FRONT POLE & COMPONENTS**



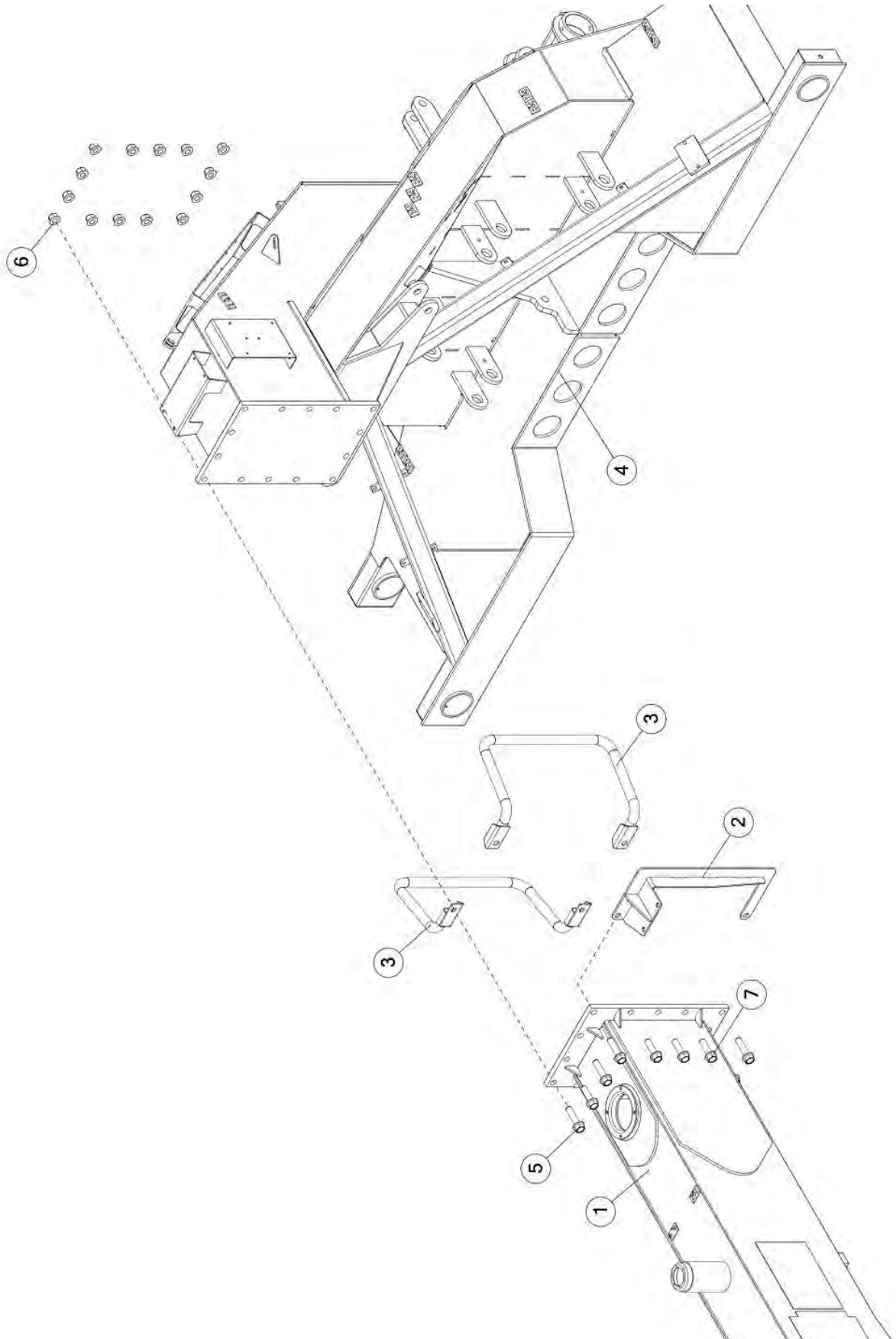
## FIGURE 5

### FRONT POLE & COMPONENTS

<u>ITEM</u>	<u>QTY</u>	<u>PART #</u>	<u>DESCRIPTION</u>
1	1	PTMWE36	RESERVOIR
2	1	DWM81	FILLER STRAINER ASSEMBLY
*	1	76194	BREATHER CAP
3	2	8036	FILTER GASKET
4	1	8037	FILTER HOUSING
5	4	YWFL10005	WASHER, FLAT, 5/16 USS
6	1	TFM21	FILTER ELEMENT
7	1	TFM25	FILTER GAGE
8	1	TFM26	PRESSURE SWITCH
9	1	TFM10	BUTTERFLY VALVE
10	1	58761	HAND LEVER, BUTTERFLY VALVE,
11	1	58763	LOCK PIN, BUTTERFLY VALVE,
12	1	SHM2WE169	SUCTION MANIFOLD
13	1	TFM11	O-RING, 4"
14	1	53453	HEX PIPE PLUG, 3/4" NPTF, MAGNETIC
15	2	56561	3/4 NPTF SIGHT GLASS
16	1	57221	1/8" SQ. HEAD PIPE PLUG
17	1	SD269	HOLLOW HEX PLUG
18	1	TFM22	MALE RUN TEE
19	1	TFM23	STRAIGHT THREAD CONNECTOR
20	1	55975	LOW OIL SENSOR ASSM
21	2	DWM130	FLOODLIGHT - WORKING LIGHT
*	2	56861	DEUTSCH 2 PIN RECEPTACLE HOUSING
*	2	56863	LOCKING WEDGE FOR DT04-2P CONNECTOR
22	4	YBHH10010	BOLT, 5/16-18 X 1 GR 5
23	4	YSHS20010	SOCKET HEAD CAP SCREW, 5/8"-11 X 1-1/4
24	4	YSHM82005	BOLT, SOCKET, M16-2.0X3.5, 12.9, BO
25	1	TFM20	FILTER HOUSING ASSM

**\* MEANS NOT SHOWN**

**FIGURE 6**  
**FRONT & REAR ASSEMBLY**



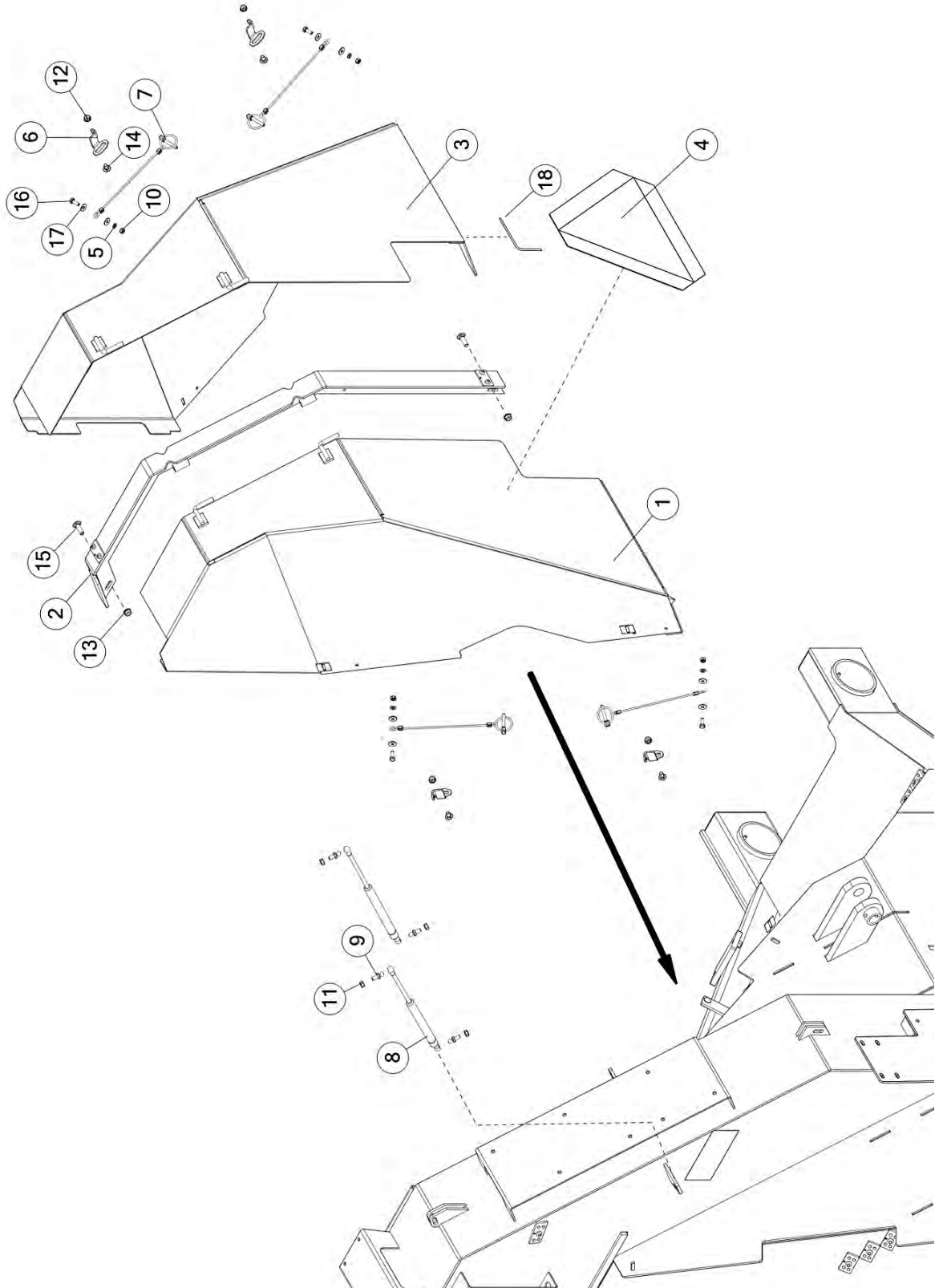
## **FIGURE 6**

### **FRONT & REAR ASSEMBLY**

<b><u>ITEM</u></b>	<b><u>QTY</u></b>	<b><u>PART #</u></b>	<b><u>DESCRIPTION</u></b>
1	1	PTMWE36	RESERVOIR
2	1	59500	BRACKET, FILTER MOUNT
3	2	PTMWE95	DEFLECTOR BUMPER
4	1	PTMWE10	FRAME ASSM
5	4	YBFB24025	BOLT, FLANGE, HEX, 3/4"-10 X 3-1/4" GR 8
6	10	YNFG24006	HEX NUT, FLANGED-LOCK, TOPLOCK GR. G- 3/4-10
7	10	YBFB24010	BOLT, FLANGE, 3/4-10 X 2.750 GR8



# FIGURE 7 SHIELDS & HARDWARE

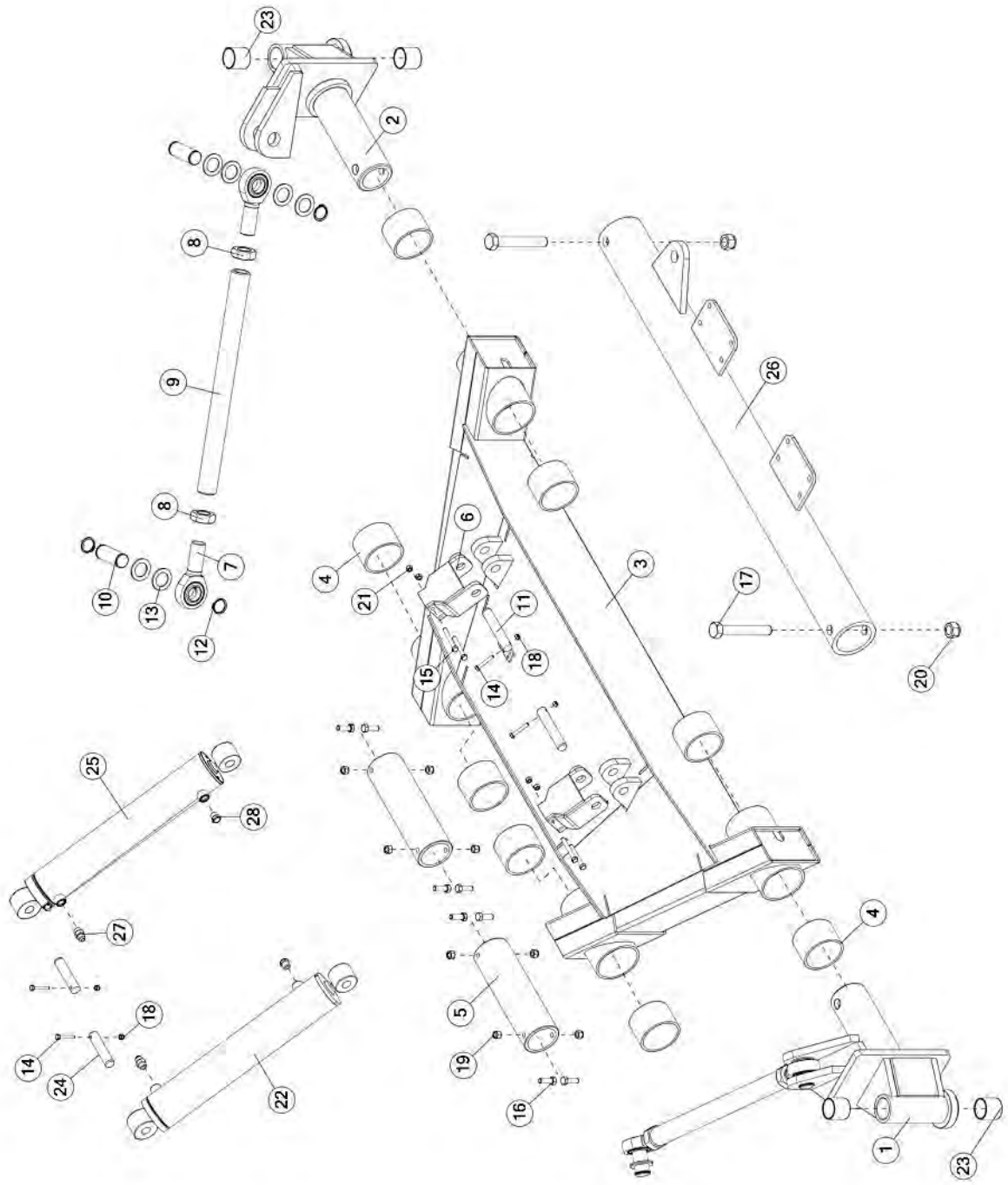


## FIGURE 7

### SHIELDS & HARDWARE

<u>ITEM</u>	<u>QTY</u>	<u>PART #</u>	<u>DESCRIPTION</u>
1	1	PTMWE54	SHIELD, LEFT
2	1	PTMWE61	SHIELD HING ASSM
3	1	PTMWE55	SHIELD, RIGHT
4	1	TFM97	SMV - DECAL
5	4	YWLO08005	WASHER, LOCK, 1/4
6	4	PTM10G48	SHEILD CLIP
7	4	S122	LANYARD, CLIP PIN CABLE
8	2	PTMAS38	GAS SPRING WITH SOCKETS
9	2	TFM78	BALL STUD
10	4	YNHX08005	HEX NUT, 1/4
11	4	YNHX10010	HEX NUT, 5/16-18 GR 5
12	4	YNSF10005	HEX NUT, SERRATED FLANGE, 5/16"-18
13	2	YNSF12005	HEX NUT, SERRATED FLANGE, 3/8"-16
14	4	YBCR10003	CARR, BOLT, 5/16"-18 X 5/8" GR 2
15	2	YBCR12020	CARR, BOLT, 3/8"-16 X 1-1/4" GR 5
16	4	YBHH08100	BOLT, 1/4-20 X 3/4 GR 5
17	8	YWFL08005	WASHER, FLAT, 1/4 USS
18	1	77160	TRIM, PLASTIC, 0.19 X 11.5, METAL CORE

# FIGURE 8 AXLE BASE ASSEMBLY



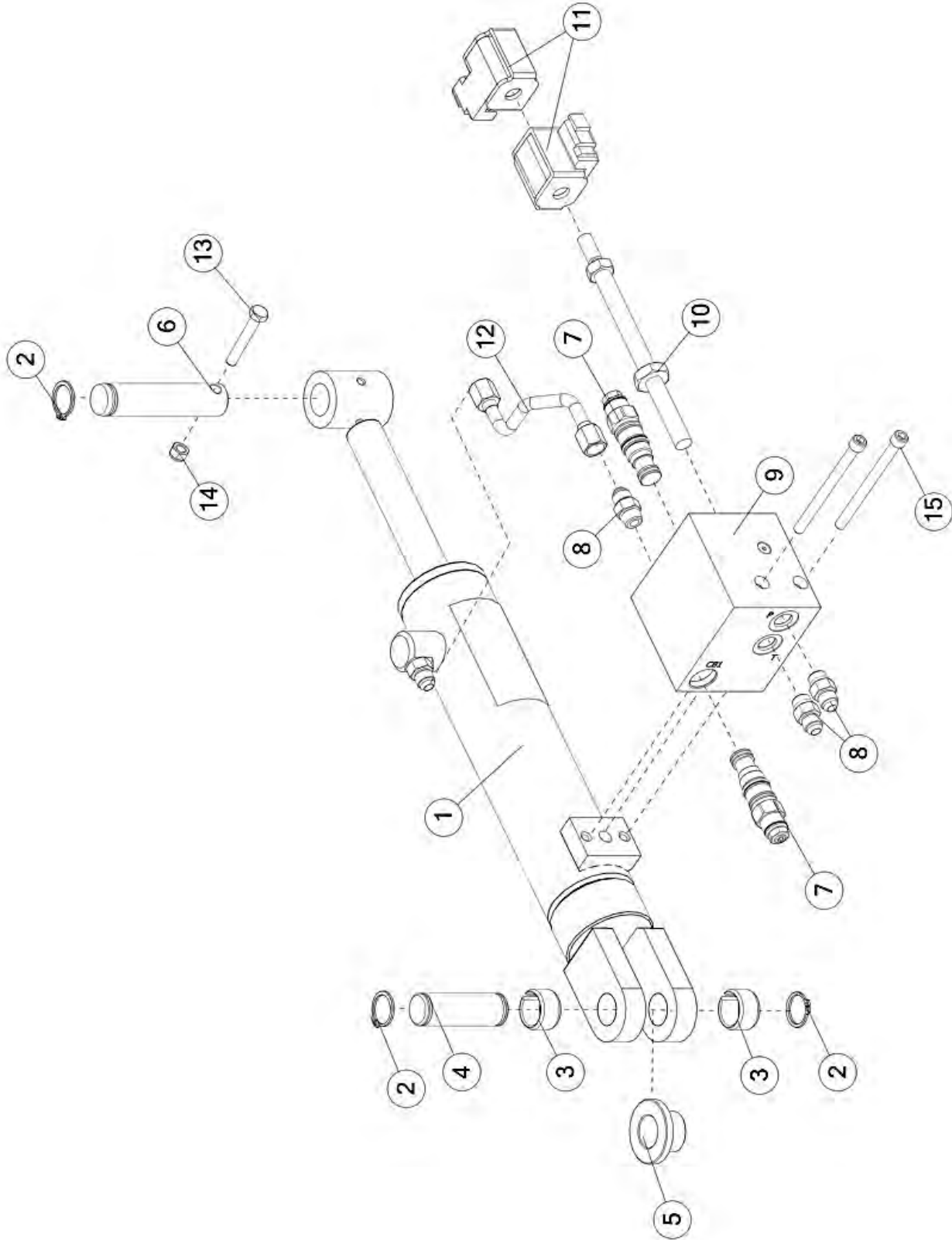
# FIGURE 8

## AXLE BASE ASSEMBLY

<u>ITEM</u>	<u>QTY</u>	<u>PART #</u>	<u>DESCRIPTION</u>
1	1	PTMAS91	LEFT YOKE ASSM
2	1	PTMAS92	RIGHT YOKE ASSM
3	1	PTMWE44	REAR AXLE ASSM
*	2	54572	GREASE LINE FITTING, STRAIGHT, 5/32 O.D. x 1/4" UNF
4	8	PTMMS13	POLY BUSHING
5	2	PTMTU44	AXLE PIVOT TUBE
6	2	PTMWE58	CYLINDER STOP ASSM
7	4	TFM70	ROD END
*	2	8257	GREASE LINE FITTING, 90° ELBOW 5/32 O.D. x 1/4" UNF
8	4	YNJM40005	HEX NUT, JAM, 1-1/2
9	2	PTMTU47	AXLE TOP LINK TUBE
10	4	PTMSH26	TOP ROD END PIN
11	2	PTMSH40	WORK RAISE ROD PIN
12	8	12V62	SNAP RING
13	A/R	16SV375	SHIM
14	2	YBHH10070	BOLT, 5/16-18 X 2 GR 5
15	4	YBHH12120	BOLT, 3/8"-16 X 3" GR 5
16	8	YBHH16030	BOLT, 1/2-13 X 1-1/2 GR 5
17	2	YBHH32027	BOLT, 1 X 6-1/2 GR.5
18	2	YNNY10005	HEX NUT, NYLON LOCKNUT, 5/16-18
19	8	YNNY16005	HEX NUT, NYLON LOCKNUT, 1/2-13
20	2	YNNY32005	HEX NUT, NYLON LOCK NUT, 1"-8
21	4	YNRL12005	HEX NUT, REVERSIBLE-SIDE LOCK, 3/8"-16 AXLE TOP
22	1	72468	CYL, HYD, 26.25 X 42.25
*	1	71953	KIT, O-RING SEALS
23	4	PTMMS120	BUSHING, 2.000" ID X 2.250" OD X 2.00"
24	2	PTMSH41	WORK RAISE BASE PIN
25	1	70723	CYLINDER-STEERING INTERNAL SENSOR
*	1	71026	KIT, O-RING SEALS
26	1	PTMWE49	LINK TUBE
27	2	TS137	FTG,12JIC,10ORB,STL
28	2	TFM92	SAE 8 O-RING 40 MICRON BREATHER CAP

**\* MEANS NOT SHOWN**  
**A/R: MEANS AS REQUIRED**

**FIGURE 9**  
**STEERING CYLINDER ASSEMBLY**



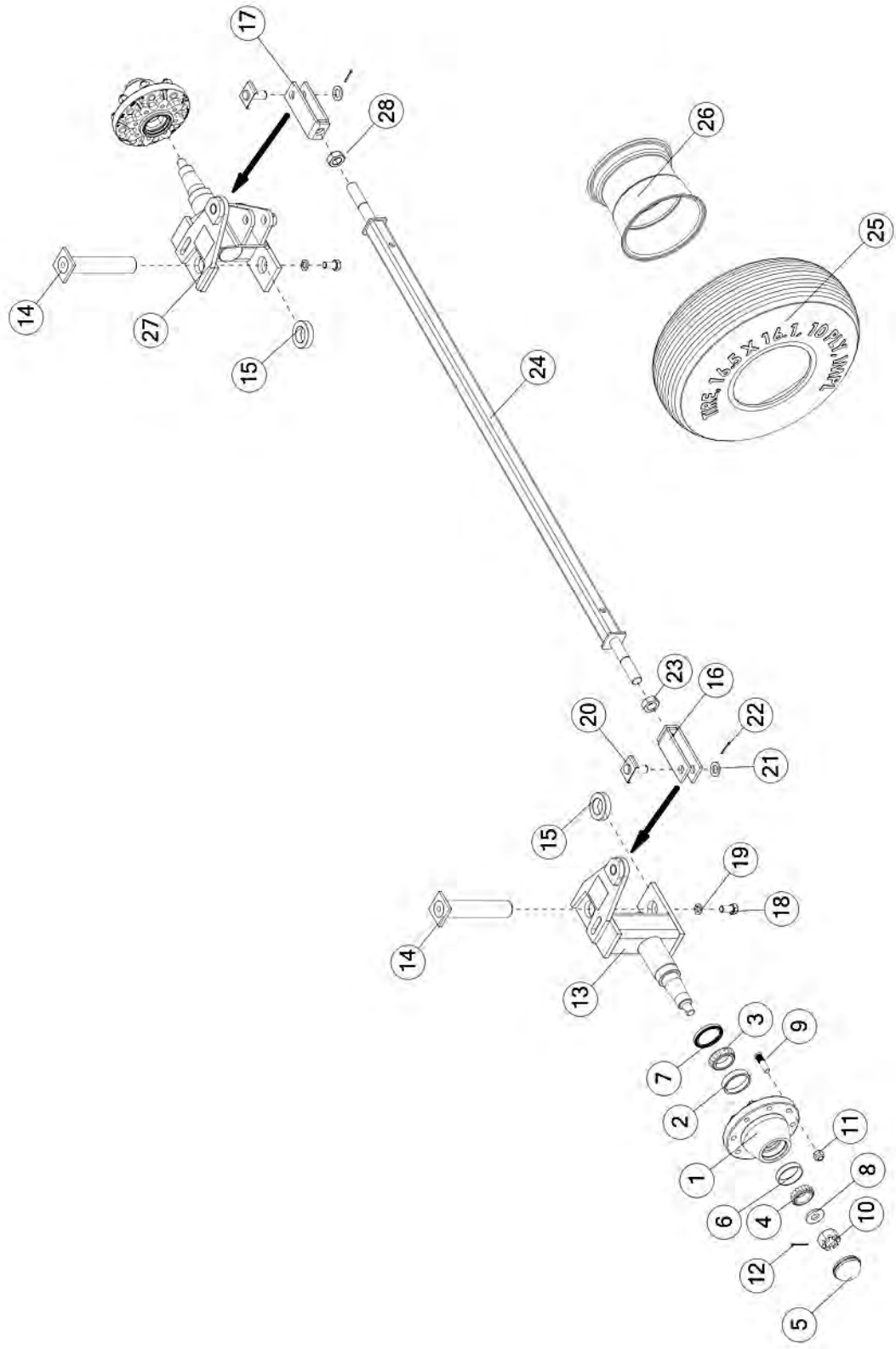
## **FIGURE 9**

### **STEERING CYLINDER ASSEMBY**

<b><u>ITEM</u></b>	<b><u>QTY</u></b>	<b><u>PART #</u></b>	<b><u>DESCRIPTION</u></b>
1	1	75624	HYD CYL, 22.5X30.5, STRNG, TFM
*	1	70979	KIT, O-RING SEALS
*	1	75622	HYD MNFD CYL ASSY,STRNG,TFM
2	3	3G21	SNAP RING, 1" HEAVY DUTY
3	2	71002	BSH, 1.245 X 1.005 X .750, TENSION, STL
4	1	PTMSH24	STEERING PIN BASE END
5	1	PTMSH29	STEERING BASE BUSHING
6	1	PTMSH44	STEERING ROD END PIN
7	2	8655	HYD VALVE,CB,STRNG,2200PSI
*	1	75854	SEAL, SUN CB, STRNG, TFM
8	3	CHM257	6-F50X-S FITTING
9	1	75641	HYD MANIFOLD,STRNG,TFM
*	1	75690	ORING,STRNG MANIFOLD,TFM
*	1	75647	HYD MANIFOLD VLV ASSY,STRNG,TFM
10	1	TFM75	CARTRIDGE
*	1	74099	SEAL KIT, STEERING, TRI-FLEX
11	2	TFM74	COIL, STEERING
12	1	75788	HYD TUBE,0.375,0.065,TFM,STRNG
13	1	YBHH10070	BOLT, HEX, 5/16-18 X 2, G5, ZC
14	1	YNNY10005	NUT, HEX, 5/16-18, LKNY, G2, ZC
15	1	YSHS10010	BOLT, SOCKET,5/16-18X1-1/4,G8,BO

**\* MEANS NOT SHOWN**

# FIGURE 10 AXLE ASSEMBLY



## FIGURE 10

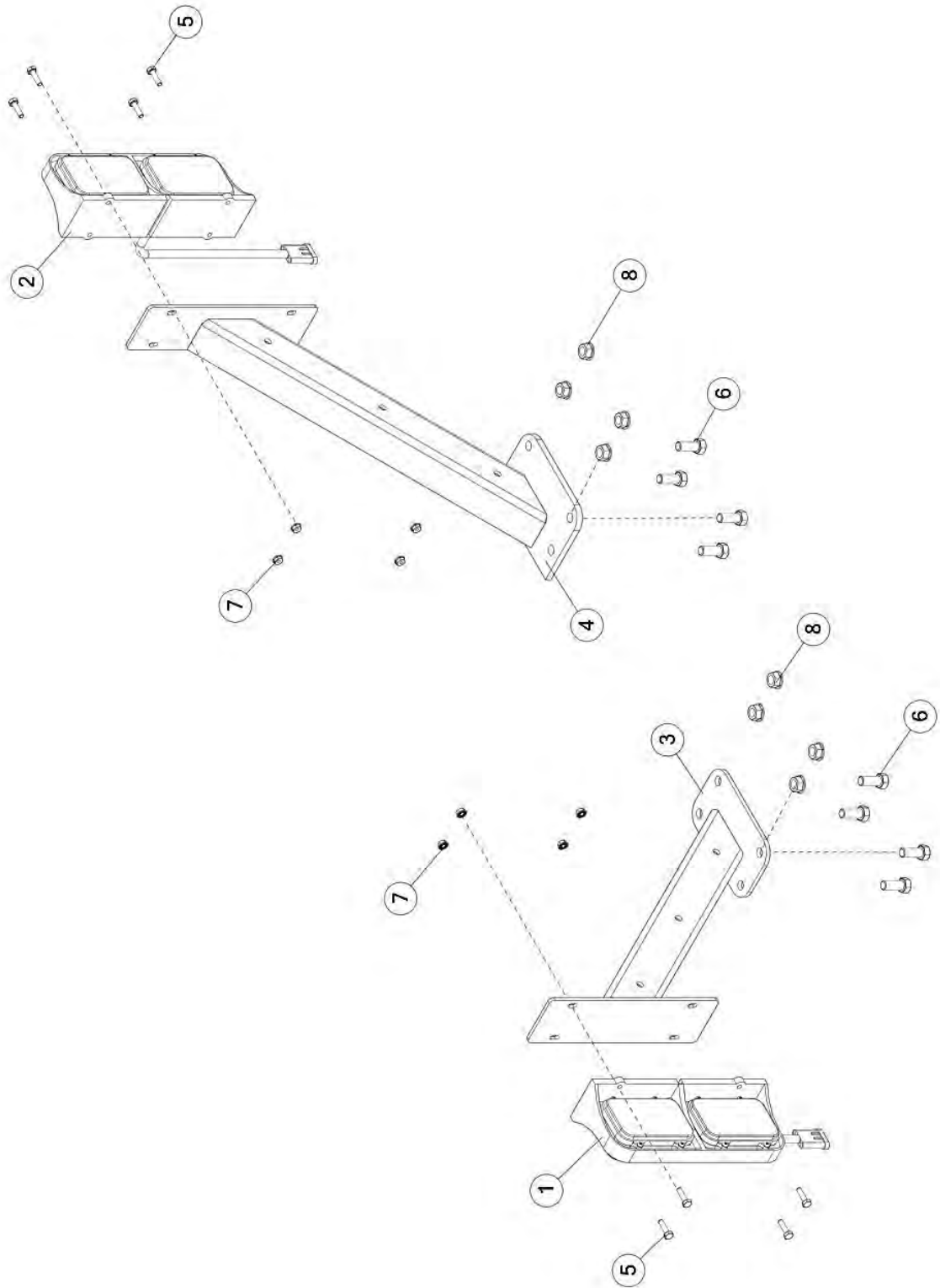
### AXLE ASSEMBLY

<u>ITEM</u>	<u>QTY</u>	<u>PART #</u>	<u>DESCRIPTION</u>
1	2	8713	HUB
2	2	8714	INNER RACE
3	2	8717	INNER CONE
4	2	8718	OUTER CONE
5	2	8720	DUST CAP
6	2	8715	OUTER RACE
7	2	60996	SEAL
8	2	PTMHF128	SPINDLE WASHER
9	16	YBSD16018	BOLT, STUD, 1/2-20UNF X 2-1/8 X 9/16, G5, BO
10	2	YNSL24005	NUT, SLOT, 3/4-10, NA, G2, NF
11	16	YNWL20005	NUT, WHEEL, 5/8-18, NA, G5, ZC
12	2	YPCT06020	COTTER PIN, 3/16 X 2
13	1	PTMWE80	LEFT SPINDLE WELDMENT
14	2	PTMWE64	MERGER KING PIN ASSY
15	2	RG200	BEARING, THRUST E-25
16	1	PTMWE79	STEERING CLEVIS LH
17	1	PTMWE86	STEERING CLEVIS RH
18	2	YBHH24011	BOLT, HEX, 3/4-16 X 1-1/2, G5, ZC
19	2	YWLO24005	WASHER, LOCK, 3/4
20	2	RG197	CLEVIS PIN
21	2	BFR33	WASHER
22	2	YPCT05010	COTTER PIN, 5/32 X 1-1/2
23	2	YNJM36010	NUT, JAM, 1-1/4-12, NA, 5, ZC, LH
24	1	PTMWE50	SQUARE TIE ROD REAR
25	2	UR5	16.5 X 16.1 10 PLY IMPL TIRES
*	2	71362	TIRE, 15 R19.5, RADIAL IMPL.(OPTIONAL)
26	2	12V36	WHEEL, 16.1 X 14, 8 BOLT (OFF-WHITE)
*	2	71365	WHEEL, 19.5X12.25, 8 BOLT, (OFF WHITE) (OPTIONAL)
*	2	PTM-AS-52	TIRE AND WHEEL, 16.5 X 16.1
*	2	71366	15 R19.5 RAD TIRE ON 19.5 X 12.25, 8 BOLT WHEEL (OPTIONAL)
27	1	PTMWE81	RIGHT SPINDLE WELDMENT
28	1	YNJM36006	NUT, JAM, 1-1/4-12, NA, A, ZC
*	2	8257	GREASE LINE FITTING, 90 DEG ELBOW 5/32 O.D. x 1/4" UNF

**\* MEANS NOT SHOWN**



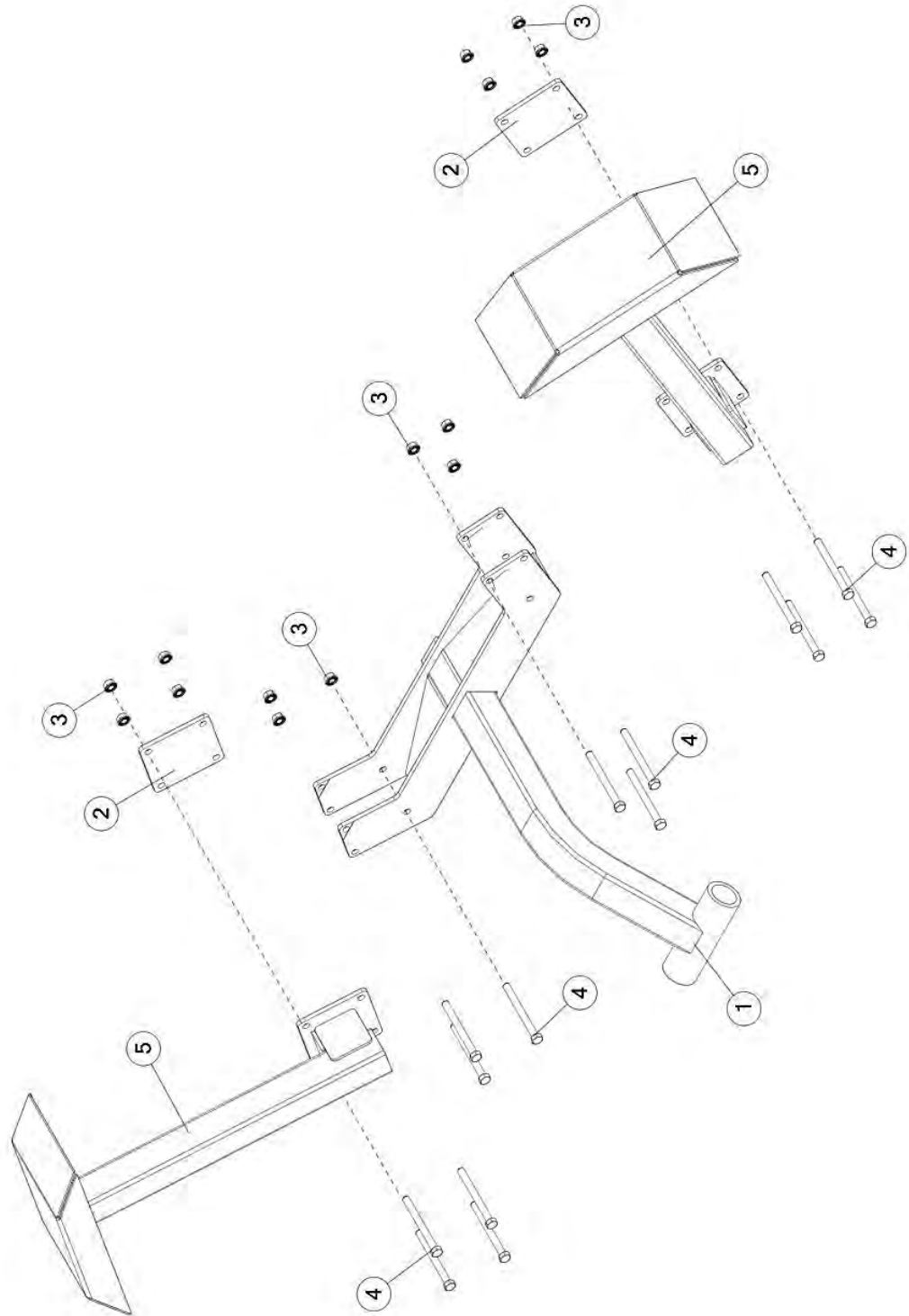
# FIGURE 11 TAIL LIGHT ASSEMBLY



**FIGURE 11**  
**TAIL LIGHT ASSEMBLY**

<b><u>ITEM</u></b>	<b><u>QTY</u></b>	<b><u>PART #</u></b>	<b><u>DESCRIPTION</u></b>
1	1	TFM71	LED TAIL LIGHT ASSM, LH
2	1	TFM72	LED TAIL LIGHT ASSM, RH
3	1	PTMWE52	LIGHT POST, LH
4	1	PTMWE53	LIGHT POST, RH
5	8	YBHH08010	BOLT, 1/4-20" X 1" GR 5
6	8	YBHH16045	BOLT, 1/2-13 X 1-1/4 GR 5
7	8	YNSF08005	HEX NUT, SERRATED FLANGE, 1/4"-20
8	8	YNSF16005	HEX NUT, SERRATED FLANGED-LOCK, 1/2"-13

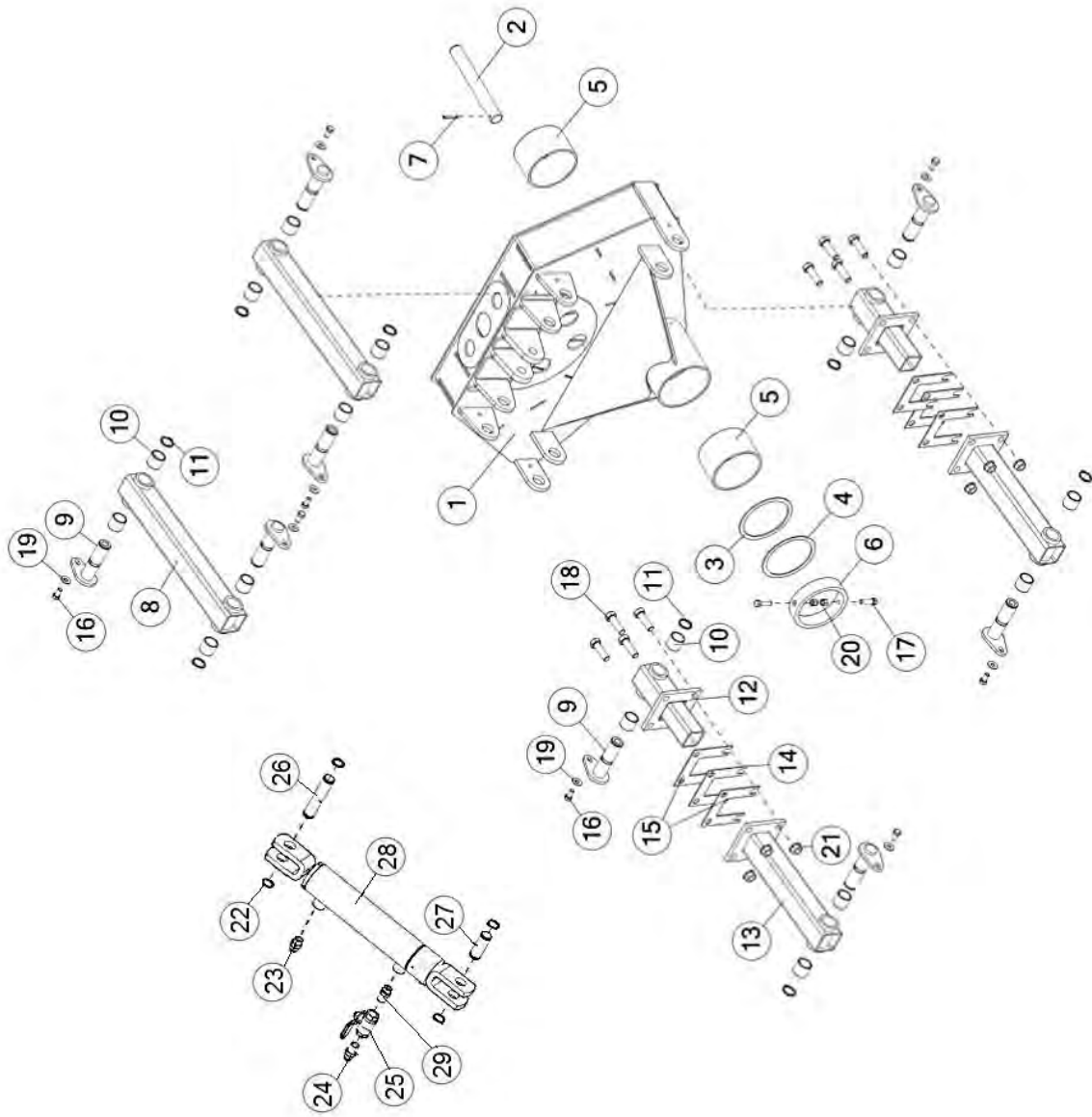
# FIGURE 12 DEFLECTOR STOP



**FIGURE 12**  
**DEFLECTOR STOP**

<b><u>ITEM</u></b>	<b><u>QTY</u></b>	<b><u>PART #</u></b>	<b><u>DESCRIPTION</u></b>
1	1	71149	WLDMT, CENTER DEFLECTOR, STOP
2	2	SPM3G21	DEFLECTOR STOP MOUNT
3	14	YNSF12005	HEX NUT, SERRATED FLANGE, 3/8"-16
4	14	YBHH12170	BOLT, 3/8-16 X 4 GR 5
5	2	72168	WLDMT, DEFLECTO STOP

# FIGURE 13 CENTER HEAD LIFT



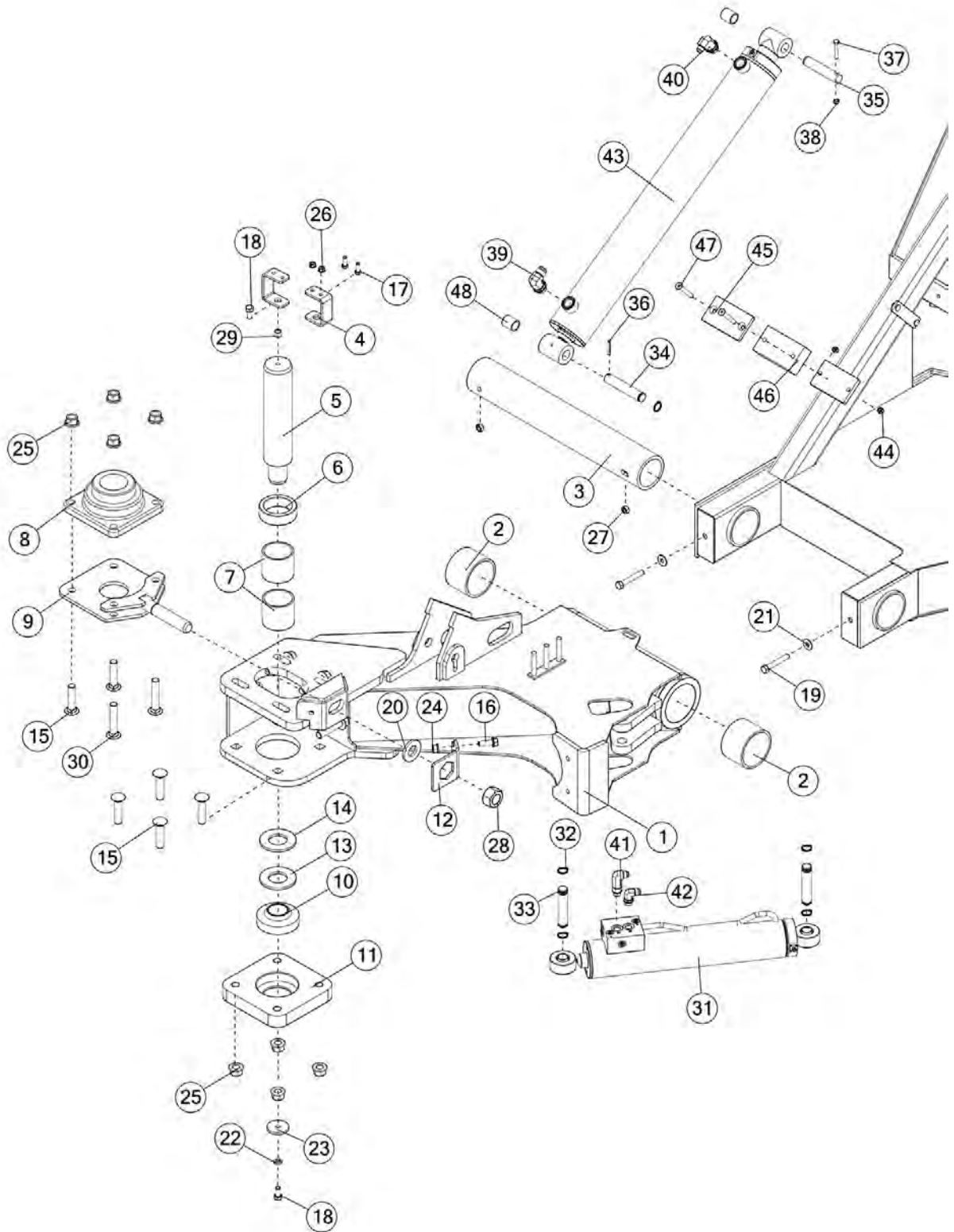
## FIGURE 13

### CENTER HEAD LIFT

<u>ITEM</u>	<u>QTY</u>	<u>PART #</u>	<u>DESCRIPTION</u>
1	1	64215	MIDDLE LIFT MOUNT
2	1	61366	ROD-REPLACEABLE PIVOT PIN
3	1	PTM10G30	HEAD PIVOT SHIM, 10GA
4	1	PTM14G04	HEAD PIVOT SHIM, 14GA
5	2	PTMMS09	POLY BUSHING
6	1	PTMTU28	HEAD LOCK COLLAR
7	1	YPEX10017	EXPANSION PIN, 5/16 X 2
8	2	PTMWE11	UPPER LIFT ARM
9	8	71749	WLDMT, TRUN PIN
10	16	17G134	BSH, 1.75 X 1.50 X 1.50, BRZ
11	8	12V62	SNAP RING
12	2	PTMWE62	MIDDLE ARM END
13	2	PTMWE63	LIFT ARM
14	2	71056	SHIM, 6.00 X 6.00 X 0.06 ADJUSTER
15	4	PTM10G51	SHIM
16	8	YBHH16010	BOLT, 1/2 X 1 GR 5
17	2	YBHH16055	BOLT, 1/2 X 1-3/4 GR 5
18	8	YBHH24025	BOLT, 3/4 X 2-1/2 GR 5 TAP BOLT
19	8	YWFL16005	WASHER, FLAT, 1/2 USS
20	2	YNNY16005	HEX NUT, NYLON LOCKNUT, 1/2-13
21	8	YNSF24005	HEX NUT, SERRATED FLANGE, 3/4
22	4	3G21	SNAP RING, 1" HEAVY DUTY
23	2	TFM38	STRAIGHT THREAD CONNECTOR
24	1	TFM90	NPTF / JIC STRAIGHT THREAD CONNECTOR
25	1	WM140	1/2" BALL VALVE
26	1	PTMSH33	CENTER LIFT ROD PIN
27	1	PTMSH31	CENTER LIFT BASE PIN CYLINDER-CENTER
28	1	70724	CYLINDER-CENTER HEAD
*	1	71032	KIT, O-RING SEALS
29	1	TFM89	NPTF / ORB STR THREAD CONNECTOR

**\* MEANS NOT SHOWN**

# **FIGURE 14** **PIVOT ARM ASSEMBLY**



# FIGURE 14

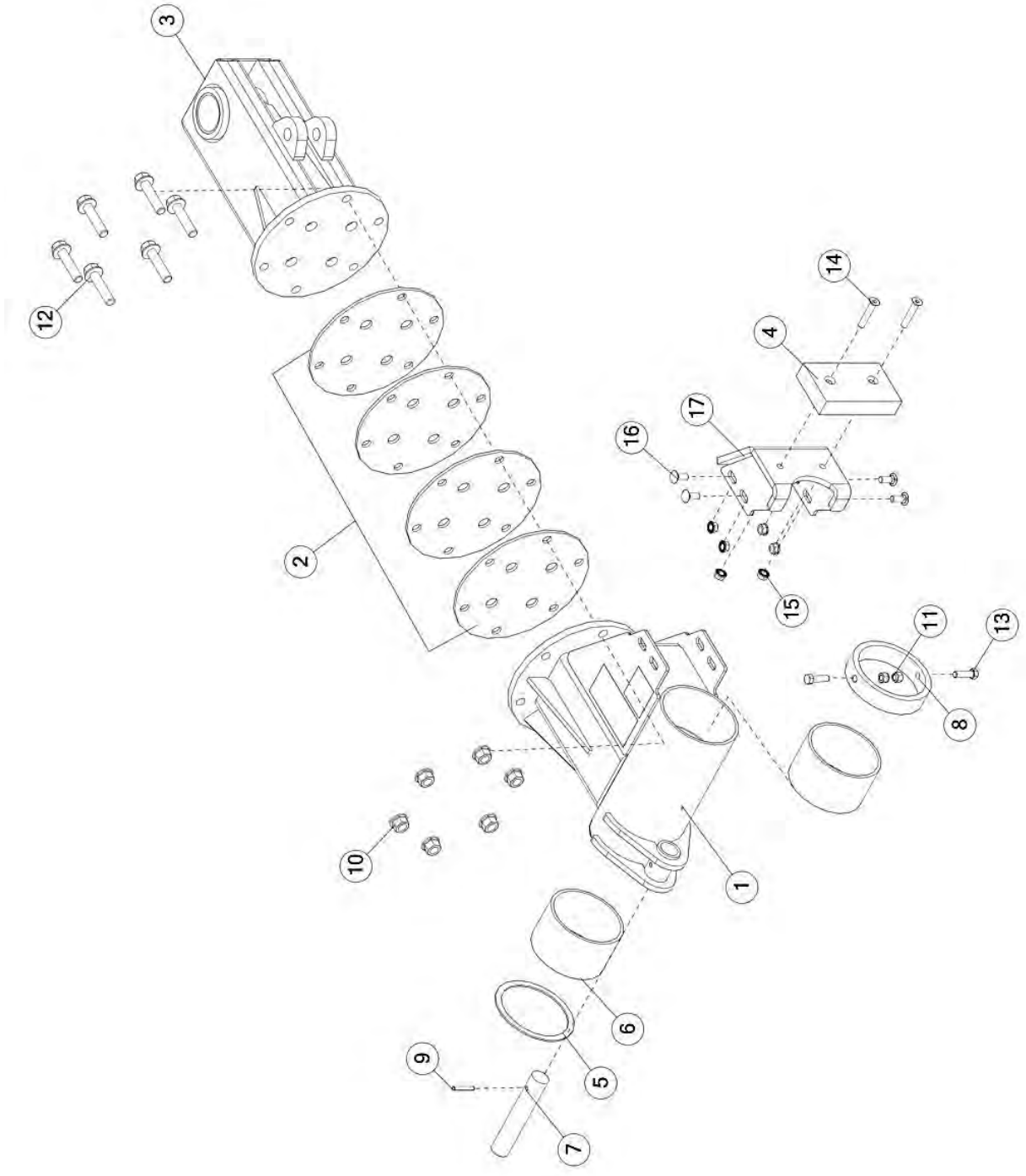
## PIVOT ARM ASSEMBLY

<u>ITEM</u>	<u>QTY</u>	<u>PART #</u>	<u>DESCRIPTION</u>
1	1	70132	ASSM, ARM, FIXED
*	1	70129	ASSM, ARM, FIXED
2	2	PTMMS13	PHENOLIC BEARING
3	1	PTMTU14	ARM PIVOT PIN
4	2	PTM3G82	OUTER HOSE CLAMP
5	1	70142	PIVOT PIN
6	1	70144	FOLD THRUST BUSHING
7	2	B58	BUSHING FOR TANDEM AXLE
8	1	1091	PITCH ADJUSTMENT BEARING
9	1	PTMWE31	TAKE UP BRACKET
10	1	TFM99	BALL END
11	1	PTMHF99	BEARING SUPPORT
12	1	PTM3G41	NUT LOCK PLATE
13	1	PTM3G75	PIN THRUST WASHER
14	1	PTMMS57	PIN THRUST WASHER BRONZE
15	8	YBCR24004	BOLT, CARR, 3/4-10 X 3-1/4, GR5, ZC
16	1	YBFB16005	1/2-13 X 1-1/2 FLANGE BOLT, GR 5, ZINC
17	2	YBHH12010	BOLT, 3/8 X 1 GR 5
18	2	YBHH16012	BOLT, 1/2-13 X 1 GR 8
19	2	YBHH16120	BOLT, 1/2 X 3-1/4 GR 5
20	1	PTM3G83	PITCH THRUST WASHER
21	2	YWFL16005	WASHER, FLAT, 1/2 USS
22	1	YWLO16005	WASHER, LOCK, 1/2
23	1	PTM3G42	PIVOT THRUST WASHER
24	1	YNFG16005	HEX NUT, FLANGED, TOP LOCK, 1/2-20, GF, ZC
25	8	YNFG24006	TOP LOCK FLANGE NUT, 3/4-10, GR.F, ZINC
26	2	YNSF12005	HEX NUT, SERRATED FLANGE, 3/8"-16
27	2	YNTL16005	HEX NUT, TOP LOCK, 1/2-13
28	1	YNHX36005	HEX NUT, 1-1/4"-12, ZINC
29	1	0209TU04	FLEX BUSHING
30	1	YBCR24010	CARR. BOLT, 3/4 X 4 GR 5
31	1	70725	CYLINDER-FOLD/UNFOLD-INTERNAL SENSOR
*	1	71053	KIT, O-RING SEALS
*	1	8655	VALVE, COUNTER BALANCE, T-11A CAVITY
32	5	3G21	SNAP RING, 1" HEAVY DUTY
33	2	PTMSH23	FOLD BASE END PIN
34	1	PTMSH37	LIFT ARM PIN
35	1	PTMSH42	FLOAT BASE END PIN
36	1	YPEX08015	EXPANSION PIN, 1/4 X 1 3/4
37	1	YBHH10070	BOLT, 5/16 X 2 GR 5
38	1	YNNY10005	HEX NUT, NYLON LOCKNUT, 5/16-18
39	1	CHM194	STRAIGHT THREAD ELBOW
40	1	GM36	STRAIGHT THREAD ELBOW
41	1	TFM47	LONG STR THREAD ELBOW 8-CC50X-S
42	1	TS135	8-C50X-S FITTING
43	1	70219	CYL, HYD, 40.25 X 70.25
*	1	70218	KIT, O-RING SEALS
44	2	YNRL12005	HEX NUT, REVERSIBLE-SIDE LOCK, 3/8"-16
45	1	56376	FOLD BUMPER PLATE
46	1	61076	POLY SPACER FOR UPPER BUMPER
47	2	YSFS12020	FLAT HEAD SOCKET CAP SCREW, 3/8
48	2	70217	BSH, 1.25X1.00X1.38 POLY

\* MEANS NOT SHOWN



# FIGURE 15 PIVOT ASSEMBLY



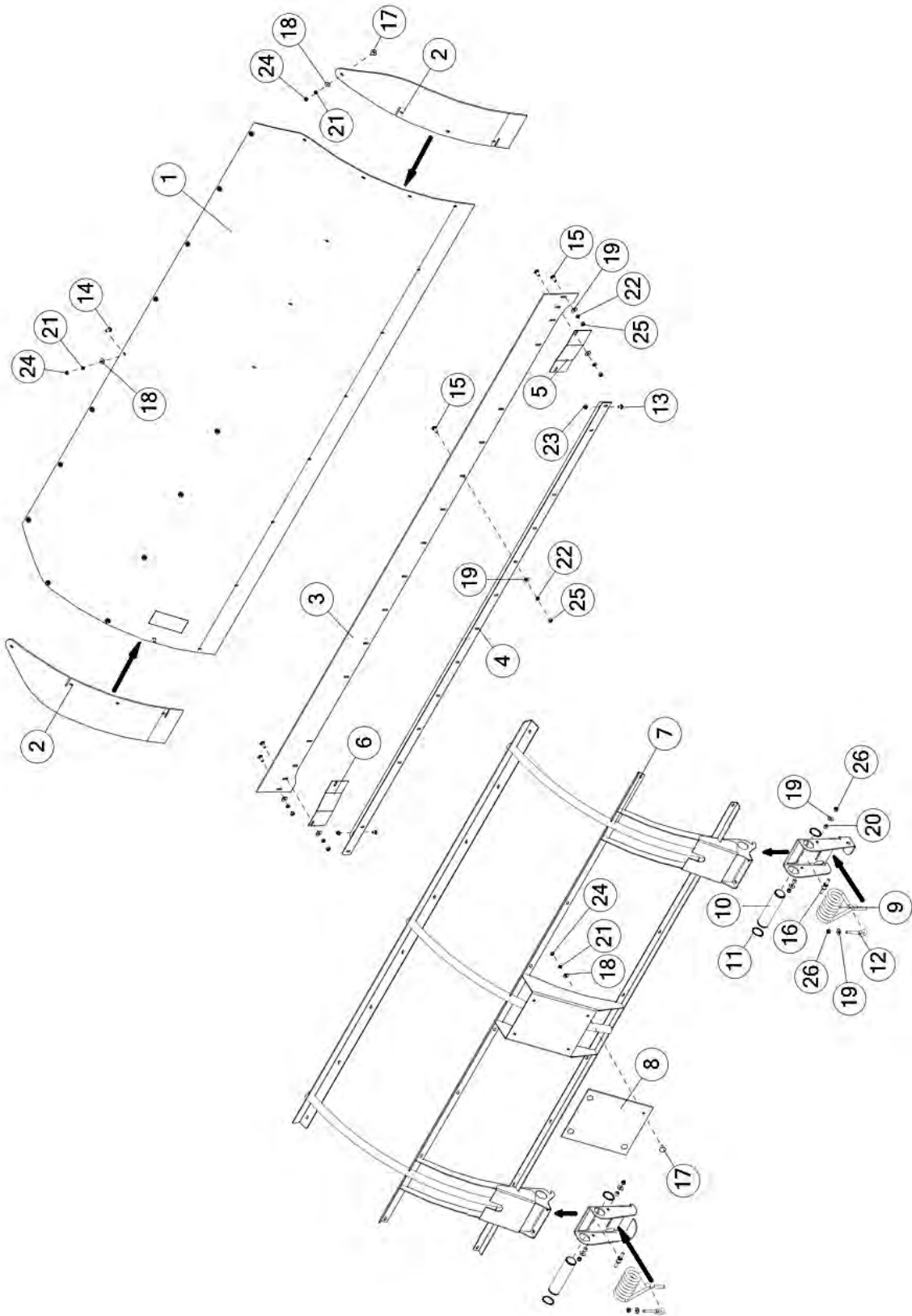
## FIGURE 15

### PIVOT ASSEMBLY

<u>ITEM</u>	<u>QTY</u>	<u>PART #</u>	<u>DESCRIPTION</u>
1	1	PTMWE04	PIVOT ARM OUTBOARD
2	4	PTM3G45	PIVOT ARM PLATE
3	1	PTMWE84	PIVOT ARM INBOARD
4	1	61077	POLY BUMPER
5	1	PTM10G30	HEAD PIVOT SHIM, 10GA
A/R	1	PTM14G04	HEAD PIVOT SHIM, 14GA
6	2	PTMMS09	HEAD PIVOT PHENOLIC
7	1	PTMSH13	PIVOT STOP SHAFT
8	1	PTMTU28	HEAD LOCK COLLAR
9	1	YPEX10017	EXPANSION PIN, 5/16 X 2
10	6	YNFG24006	3/4-10, TOP LOCK FLANGE NUT
11	2	YNNY16005	HEX NUT, NYLON LOCKNUT, 1/2-13
12	6	YBFB24036	BOLT, FLG, 3/4-10 X 4.00, G8, YZ
13	2	YBHH16055	BOLT, 1/2 X 1-3/4 GR 5
14	2	YSFS16040	FLAT HEAD SOCKET CAP SCREW, 1/2 X 2-3/4
15	4	YNSF16005	HEX NUT, SERRATED FLANGED-LOCK, 1/2"-13
16	4	YBCR16015	CARR. BOLT, 1/2 X 1-1/4 GR 5
17	1	PTMWE94	PLIVOT ARM STOP BOLT ON

**A/R: MEANS AS REQUIRED**

# FIGURE 16 POLY DEFLECTOR ASSEMBLY



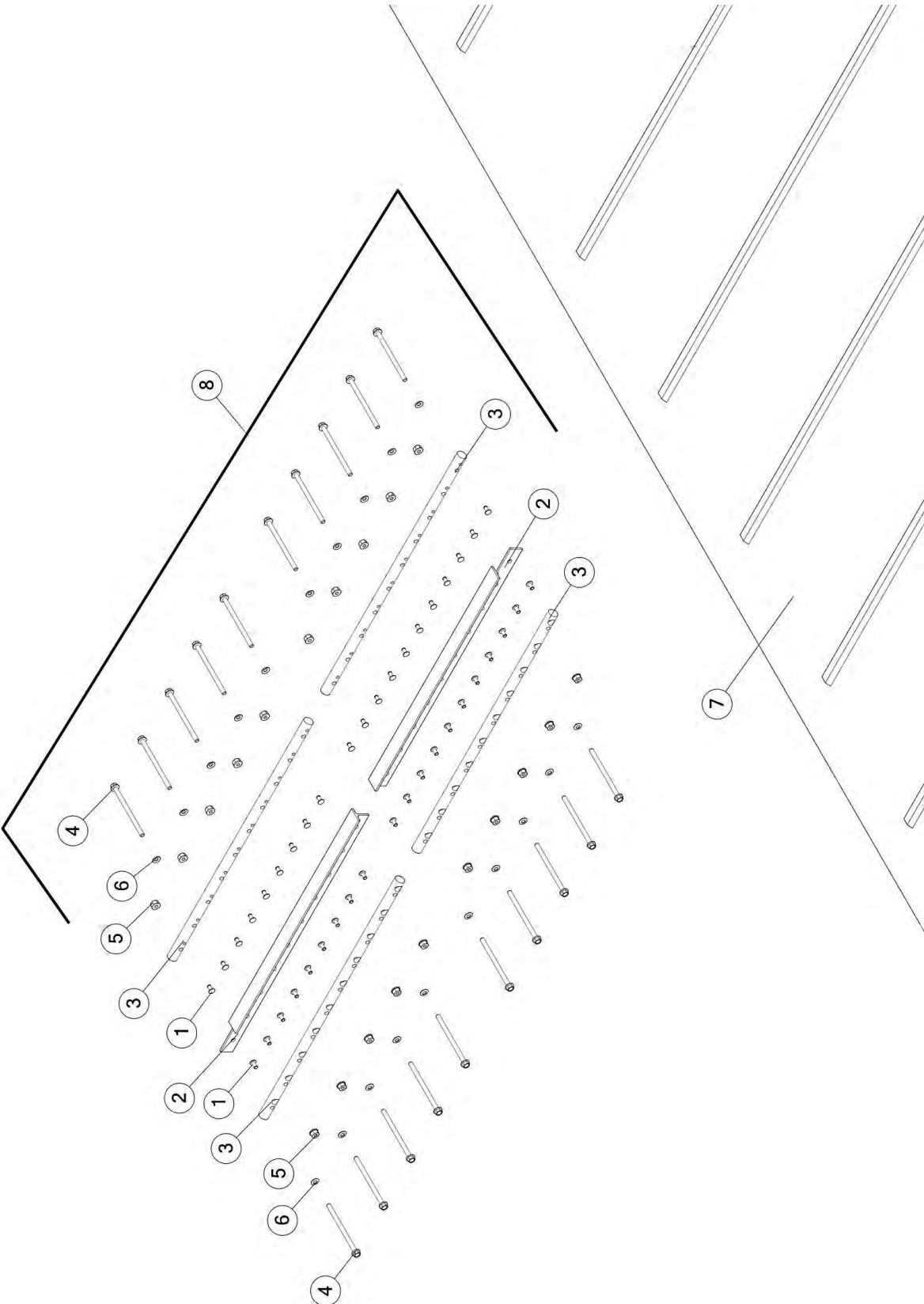
## FIGURE 16

### POLY DEFLECTOR ASSEMBLY

<u>ITEM</u>	<u>QTY</u>	<u>PART #</u>	<u>DESCRIPTION</u>
1	1	56919	POLY DEFLECTOR
2	2	67829	RUBBER,32.8X7.75X0.25
3	1	61309	RUBBER DEFLECTOR HINGE
4	1	70770	WIPER, DEFLECTOR, FORMED
5	1	60838	COVER PLATE RH
6	1	60839	COVER PLATE LH
7	1	56934	CENTER DEFLECTOR FRAME
*	1	56922	LEFT DEFLECTOR FRAME
*	1	56935	RIGHT DEFLECTOR FRAME
8	1	56882	DEFLECTOR PAD
9	2	73174	TORSION SPRING, 531 WIRE, LH
*	2	73461	TORSION SPRING, 531 WIRE, RH
*	2	73174	TORSION SPRING, 531 WIRE, CENTER
10	2	60319	SPRING PIN
11	4	60320	EXTERNAL SNAP RING, 1.875
12	2	YBWE12100	BOLT, WELDED EYE, 3/8-16 X 3,ZC
13	4	YBCR10003	CARR, BOLT, 5/16"-18 X 5/8" GR 2
14	24	YBCR10005	CARR. BOLT, 5/16 X 1 GR 2
15	23	YBCR12010	CARR. BOLT, 3/8 X 1 GR. 5 CARR, BOLT,
16	4	YBCR12020	3/8"-16 X 1-1/4" GR 5
17	26	YBSB10010	STEP BOLT, 5/16-18 X 1
18	34	YWFL10005	WASHER, FLAT, 5/16 USS
19	13	YWFL12005	WASHER, FLAT, 3/8 USS
20	4	71364	TUBE, STR, 0.63 X 0.12 X 0.38
21	34	YWLO10005	WASHER, LOCK, 5/16
22	17	YWLO12005	WASHER, LOCK, 3/8
23	32	YNSF10006	NUT, FLG, 5/16-18, LKSF, CH, ZC HEX
24	34	YNHX10005	NUT, 5/16-18 GR 2
25	13	YNHX12005	HEX NUT, 3/8-16 GR 2
26	6	YNNY12005	HEX NUT, NYLON LOCKNUT, 3/8

**\*MEANS NOT SHOWN**

**FIGURE 17**  
**CONVEYOR BELT ASSEMBLY**



# FIGURE 17

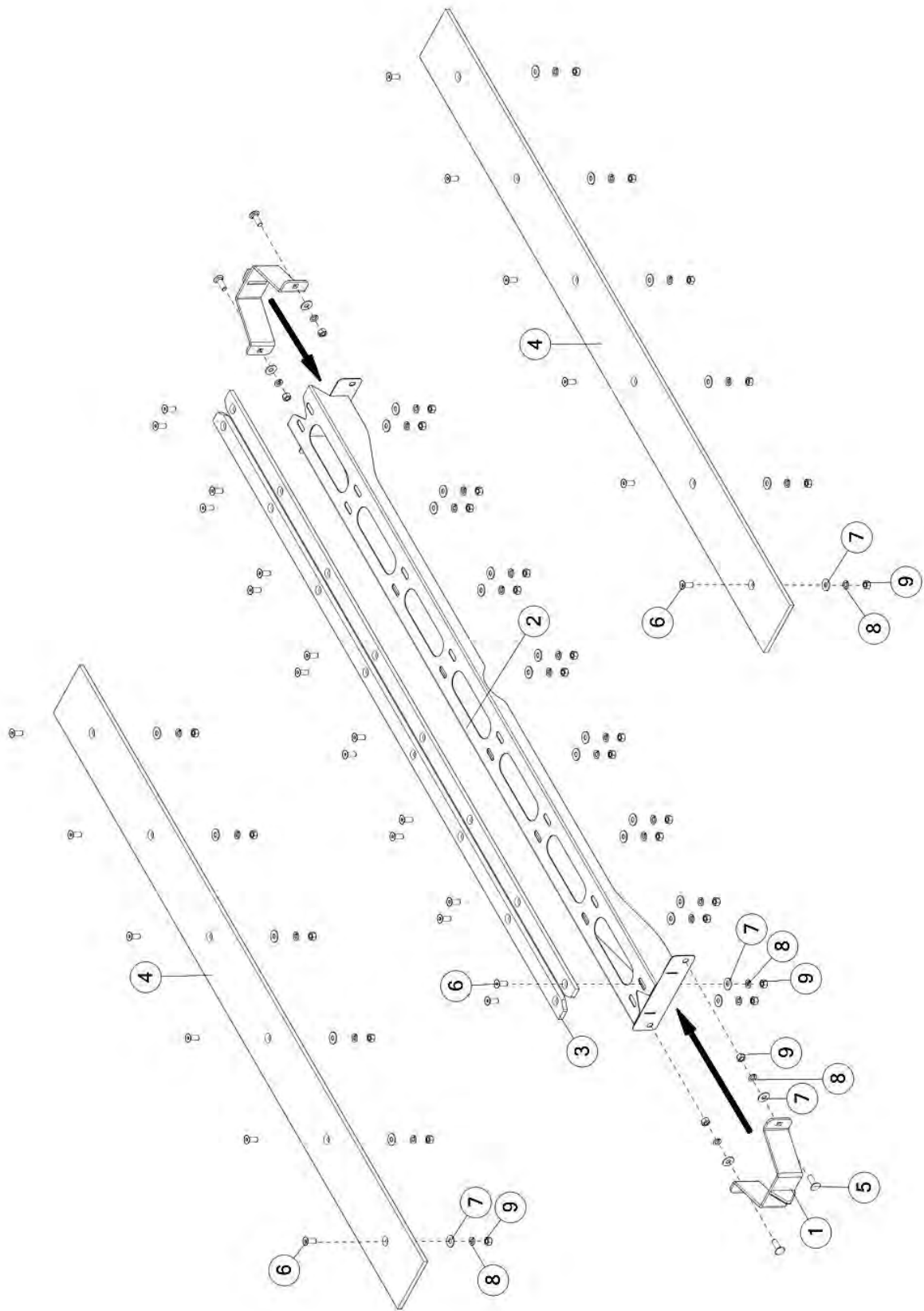
## CONVEYOR BELT ASSEMBLY

<u>ITEM</u>	<u>QTY</u>	<u>PART #</u>	<u>DESCRIPTION</u>
1	40	YMRV06020	RIVET, 3/16 DIA 0.251-0.375, 0.375 HEAD DIA
2	2	66288	POLY WEAR STRIP (THIN)
*	2	SPMPL06	POLY WEAR STRIP (THICK)
3	4	75703	BELT CLAMP, RND
4	20	YBFB08050	BOLT, FLG, SERR, 1/4-20 X 4.00, G5, ZC, HARD
5	20	YNFG08005	NUT, FLG, 1/4-20, LKTL, F, ZC
6	20	YWCU08005	WASHER, CUSTOM, BELLEVILLE, 1/4, 18-8 SSS
7	1	75507	BELT, CONVEYOR, WCCO, 30' TFMPLIC
8	1	76413	BELT SPLICE KIT
*	1	76370	SPLICE KIT, WCCO BELTIT, WCCO BELT

**\*MEANS NOT SHOWN**

# FIGURE 18

## POLY GUIDE ASSEMBLY

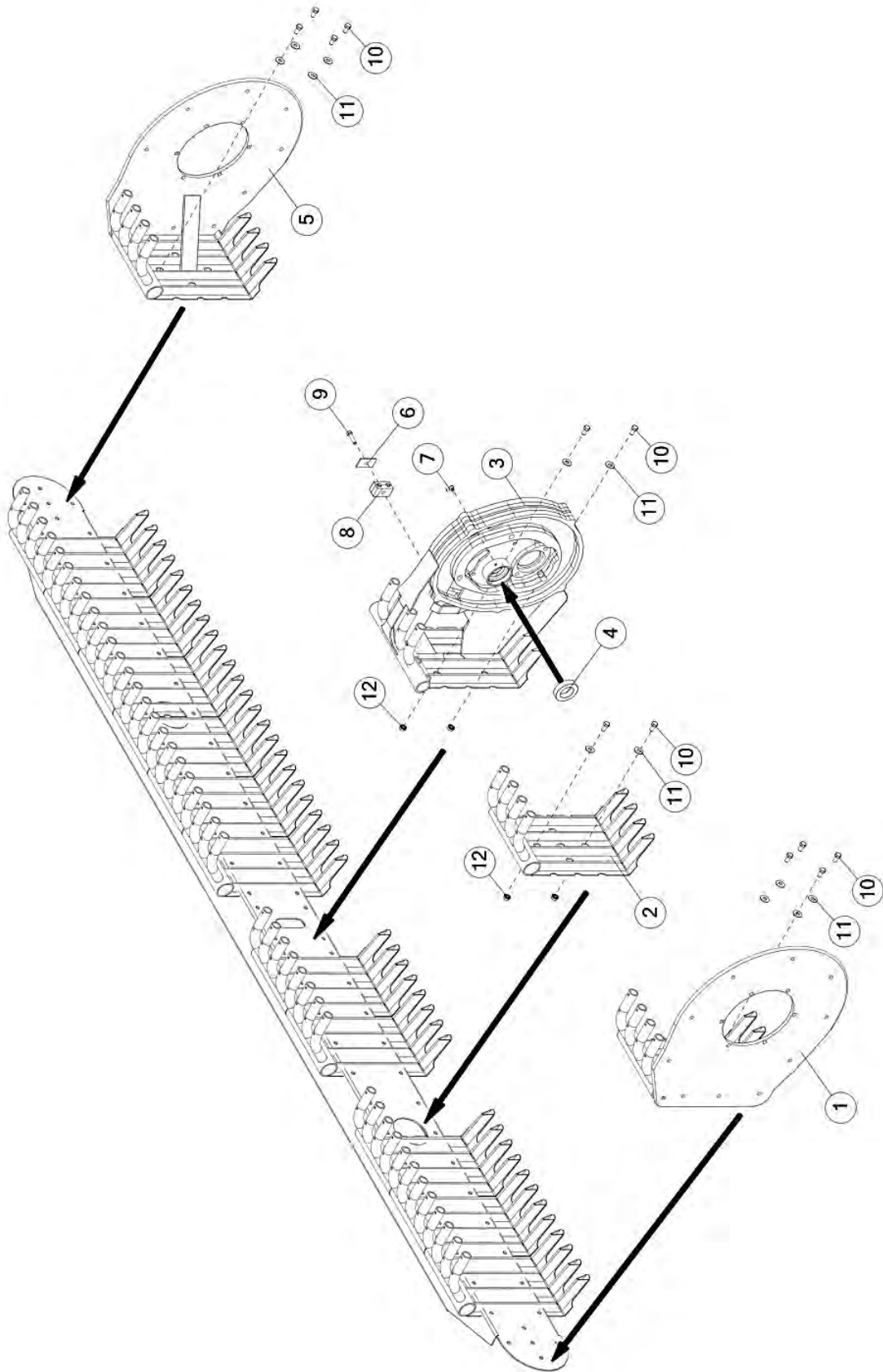


**FIGURE 18**  
**POLY GUIDE ASSEMBLY**

<b><u>ITEM</u></b>	<b><u>QTY</u></b>	<b><u>PART #</u></b>	<b><u>DESCRIPTION</u></b>
1	1	57543	SCRAPER BRACKET
2	1	58517	CENTER GUIDE
3	2	58518	POLY GUIDE
4	2	57494	CENTER CONVEYOR POLY
5	4	YBCR16010	CARR. BOLT, 1/2 X 1-1/2 GR 5
6	28	YSFS16015	FLAT HEAD SOCKET CAP SCREW, 1/2 X 1-1/4
7	32	YWFL16005	WASHER, FLAT, 1/2 USS
8	32	YWLO16005	WASHER, LOCK, 1/2
9	32	YNHX16005	HEX NUT, 1/2



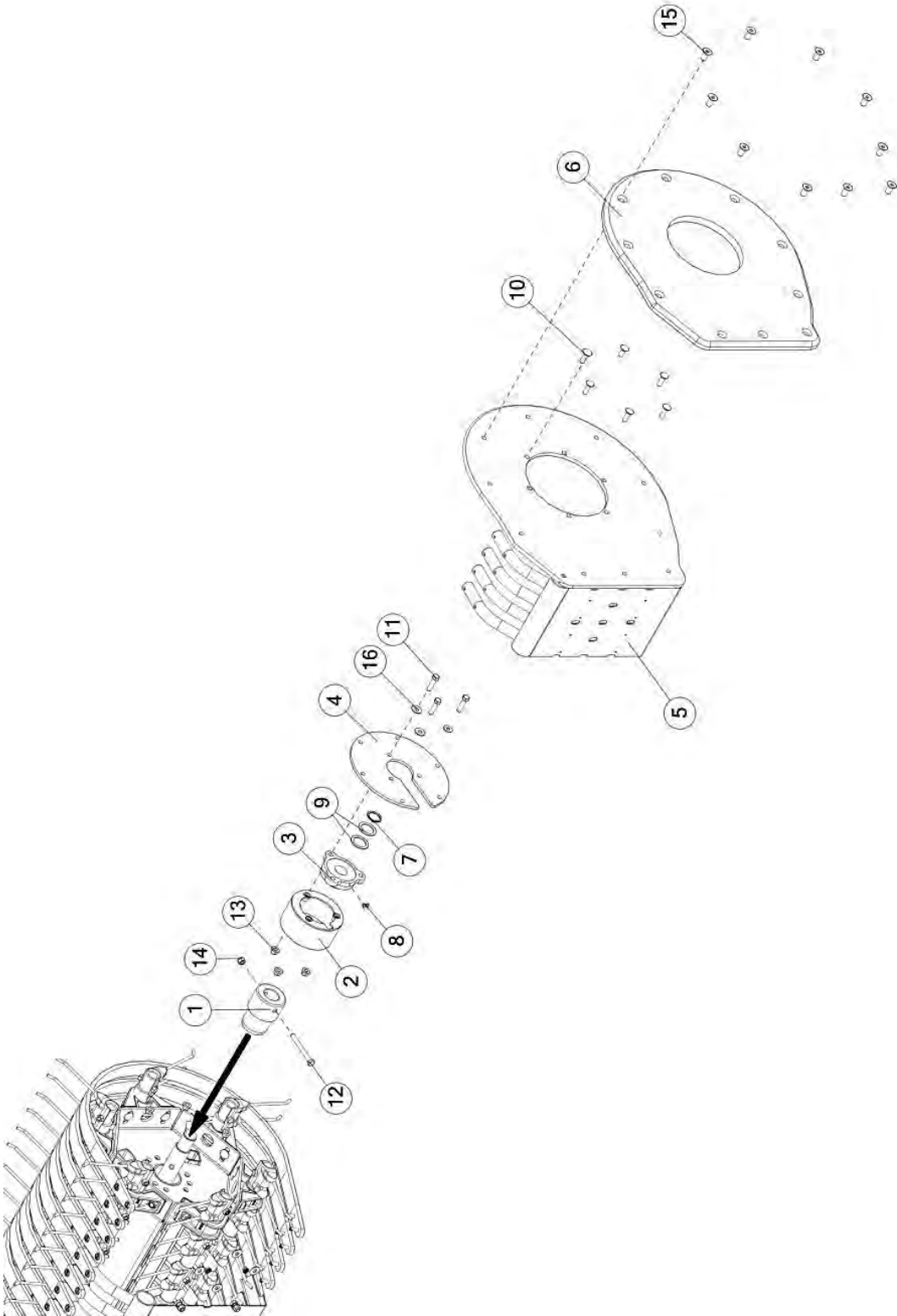
# FIGURE 19 HEAD FRAME & COMPONENTS



**FIGURE 19**  
**HEAD FRAME & COMPONENTS**

<b><u>ITEM</u></b>	<b><u>QTY</u></b>	<b><u>PART #</u></b>	<b><u>DESCRIPTION</u></b>
1	1	SPMWE15	RIGHT END SECTION
2	10	SPMWE02	CHANNEL SECTION
3	1	0209WE04	CAM ASSM
4	1	TFM29	1-1/2 RADIAL BALL THRUST BEARING
5	1	SPMWE14	LEFT END SECTION
6	1	56563	CLAMP TOP PLATE
7	1	8257	GREASE LINE FITTING, 90 DEG ELBOW 5/32OD X 1/4
8	1	TS118	LINE CLAMP BLOCK
9	1	56568	CLAMP BOLT
10	52	YBHH12135	BOLT, 3/8-16 X 3/4 GR 5
11	50	YWFL12005	WASHER, FLAT, 3/8 USS
12	48	YNSF12005	HEX NUT, SERRATED FLANGE, 3/8-16

**FIGURE 20**  
**END SECTION**



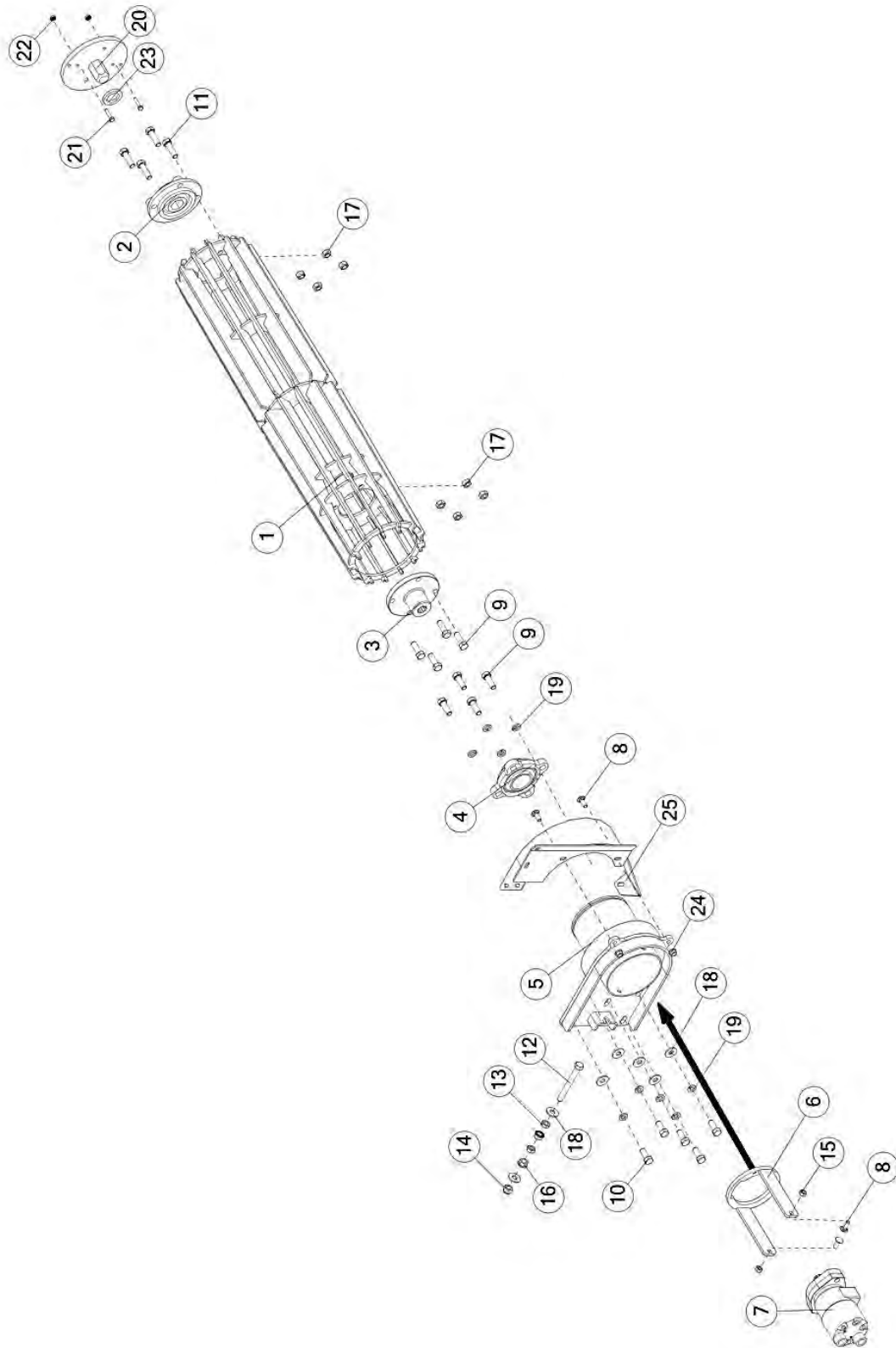
**FIGURE 20**  
**END SECTION**

<b><u>ITEM</u></b>	<b><u>QTY</u></b>	<b><u>PART #</u></b>	<b><u>DESCRIPTION</u></b>
1	12	0209SH08	PILOT HUB
2	2	59143	ANTI WRAP GUARD
3	2	TFM50	HEAD IDLER BEARING
4	1	SPM3G13	HEAD IDLER BEARING
5	1	SPMWE15	RIGHT END SECTION
*	1	SPMWE14	LEFT END SECTION
6	1	0209PL03	RIGHT POLY END
*	1	0209PL02	LEFT POLY END
7	2	F73	SNAP RING
8	2	GM503	1/8" 90 DEGREE PIPE ZERK
9	4	G28	TOOTH SHIM
10	12	YBCR12020	CARR. BOLT, 3/8 X 1-1/4 GR 5
11	6	YBHH12025	BOLT, 3/8-16 X 1-1/2 GR 5
12	2	YBHH12145	BOLT, 3/8 X 3-1/2 GR 5
13	6	YMRN12020	RIVET, NUT, HEX, 3/8-16, ST, ZINC
14	2	YNNY12005	NUT, NYLON LOCKNUT, 3/8
15	20	YSFS16005	FLAT HEAD SOCKET CAP SCREW, 1/2 X 1
16	6	YWFL12005	WASHER, FLAT, 3/8 USS

**\* MEANS NOT SHOWN**

# FIGURE 21

## DRIVER ROLLER ASSEMBLY



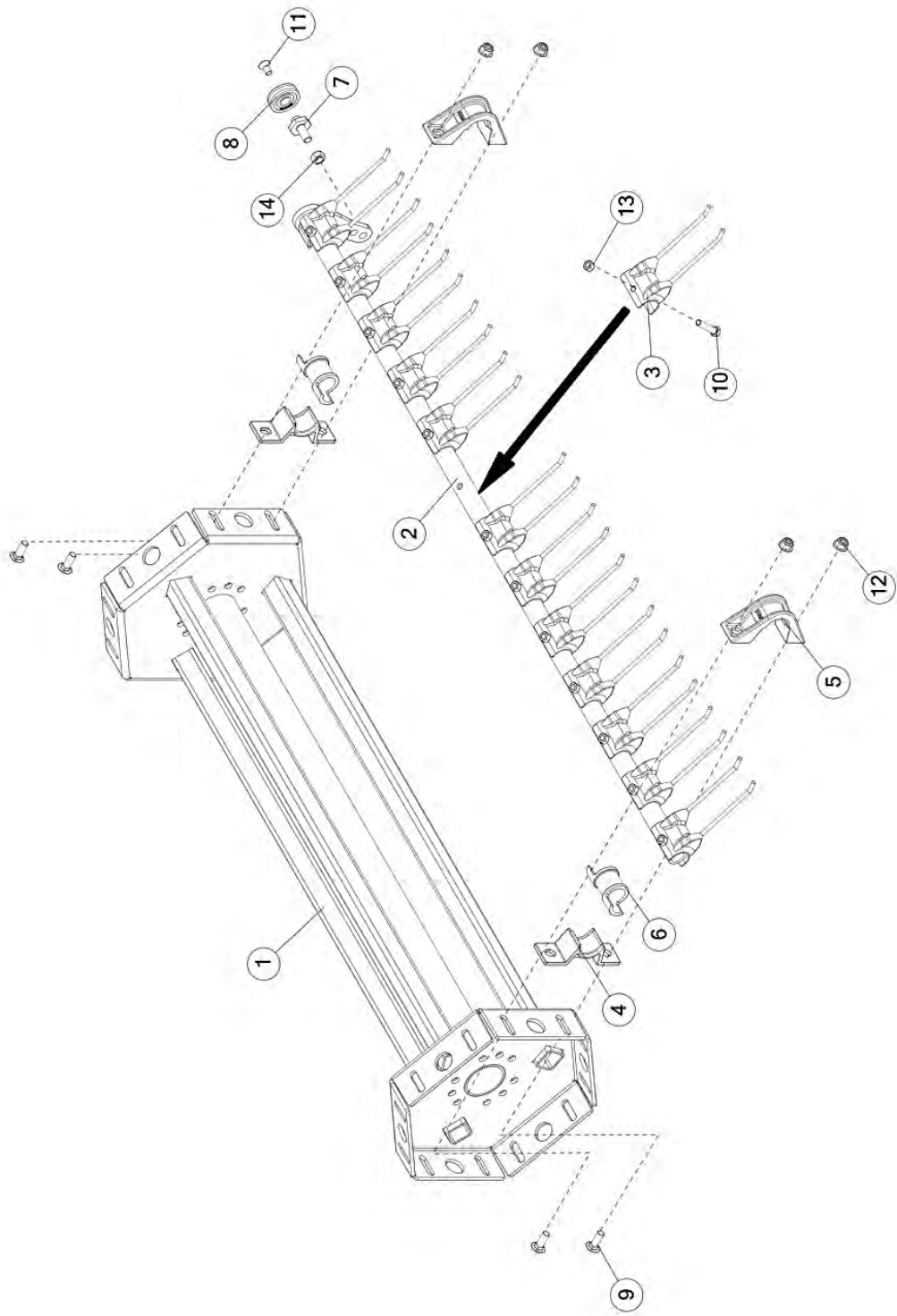
# FIGURE 21

## DRIVER ROLLER ASSEMBLY

<u>ITEM</u>	<u>QTY</u>	<u>PART #</u>	<u>DESCRIPTION</u>
1	1	72374	DRIVE ROLLER
2	1	TFM45	IDLER BEARING
3	1	SPMSH02	DRIVE HUB
4	4	60135	MOTOR HOUSING BEARING
5	1	56832	MOTOR HOUSING
6	1	SPMWE36	MOTOR BRACKET
7	1	TFM46	CROSS CONVEYOR MOTOR
8	2	YBCR12010	CARR. BOLT, 3/8 X 1 GR. 5
9	8	YBHH16030	BOLT, 1/2 X 1-1/2 GR 5
10	8	YBHH16045	BOLT, 1/2-13 X 1-1/4 GR 5
11	4	YBHH16055	BOLT, 1/2 X 1-3/4 GR 5
12	1	YBHH16145	BOLT, 1/2 X 4-1/2 GR 5 TAP
13	2	YNJM16005	HEX NUT, JAM, 1/2-13
14	2	YNNY16005	HEX NUT, NYLON LOCKNUT, 1/2-13
15	2	YNRL12005	HEX NUT, REVERSIBLE-SIDE LOCK, 3/8-16
16	2	YNSF16005	HEX NUT, SERRATED FLANGED-LOCK, 1/2-13
17	8	YNTL16005	HEX NUT, TOP LOCK, 1/2-13
18	7	YWFL16005	WASHER, FLAT, 1/2 USS
19	10	YWLO16005	WASHER, LOCK, 1/2
20	1	70733	GUSSET, HEX SHAFT
21	2	YBHH08035	BOLT, 1/4 X 1-1/4 GR 5
22	2	YNSF08005	1/4-20 SERRATED FLNG NUT BIN STOCKED
23	1	72063	HEX SHIM, 0.25"
24	2	YNFG12005	HEX NUT, FLANGE, TOP LOCK, 3/8"-16
25	1	SPMWE42	RIGHT ROLLER SHEILD ASSY
*	1	SPMWE43	ROLLER SHEILD ASSY LEFT

**\* MEANS NOT SHOWN**

**FIGURE 22**  
**TINE BAR ASSEMBLY**



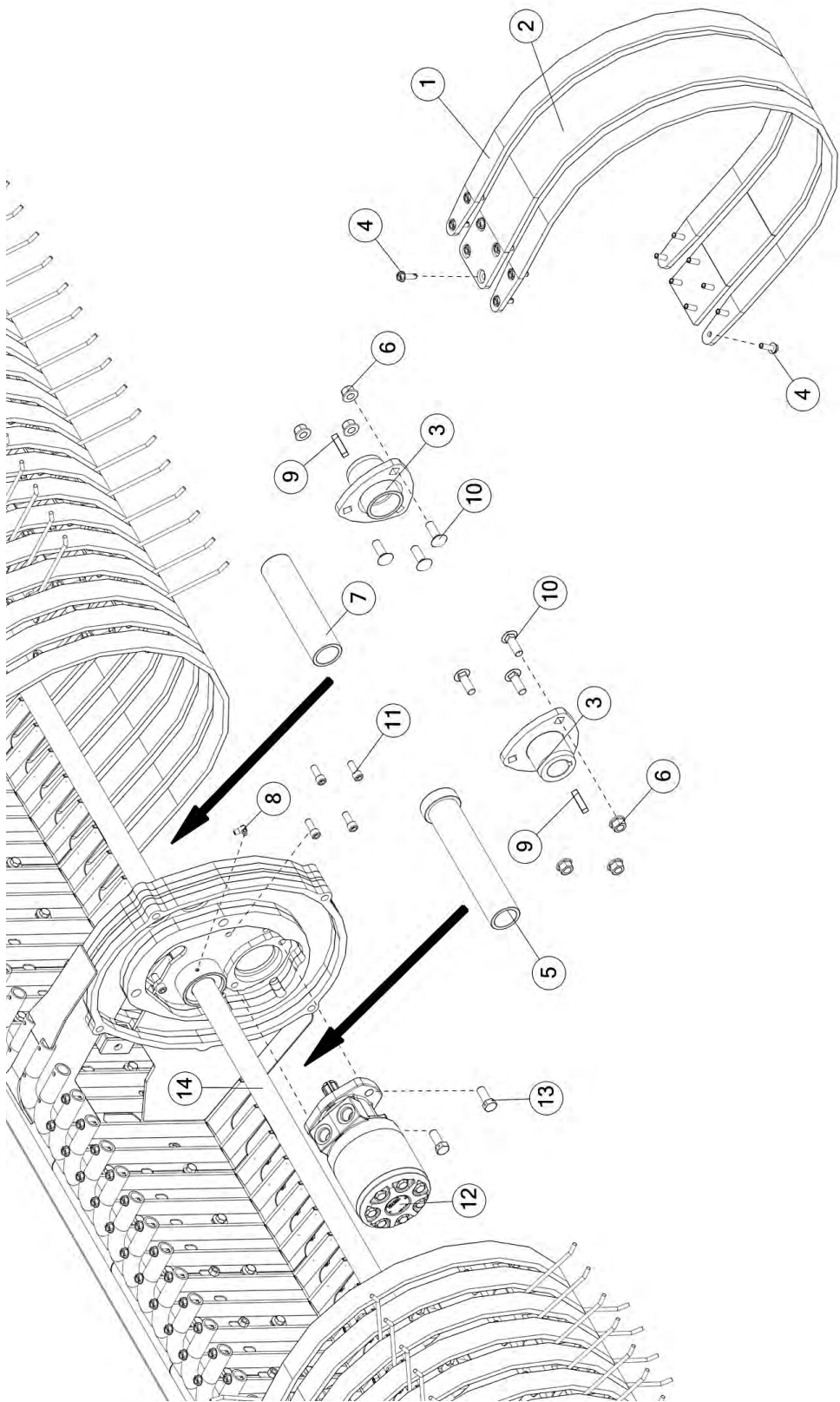
**FIGURE 22**  
**TINE BAR ASSEMBLY**

<b><u>ITEM</u></b>	<b><u>QTY</u></b>	<b><u>PART #</u></b>	<b><u>DESCRIPTION</u></b>
1	1	0209WE07	PICKUP REEL
2	6	0209WE01	RIGHT TINE BAR
*	6	0209WE02	LEFT TINE BAR
3	78	SPMMS00	RUBBER TINE
4	12	SPMMS16	HOUSING, BEARING, BOTTOM
5	12	SPMMS17	TINE BAR BEARING HOUSING TOP, MOLDED
6	12	SPMMS18	TINE BAR WEAR SLEEVE
7	1	SPMSH14	FOLLOWER BEARING MOUNT
8	1	TFM41	FOLLOWER BEARING
9	24	YBCR14010	BOLT, CARR, FT, 7/16-14 X 1-1/2, GRA, ZC
10	78	YBHH12060	BOLT, 3/8 X 1-3/4 GR 5
11	1	YSFS12015	FOLLOWER BOLT 3/8-24 X 3/4
12	24	YNFG14011	HEX NUT, FLANGE, NYLOCK, 7/16-14, GR F, ZINC
13	78	YNRL12005	HEX NUT, REVERSIBLE-SIDE LOCK, 3/8-16 HEX
14	1	YNL16005	NUT, TOP LOCK, 1/2-13

**\* MEANS NOT SHOWN**



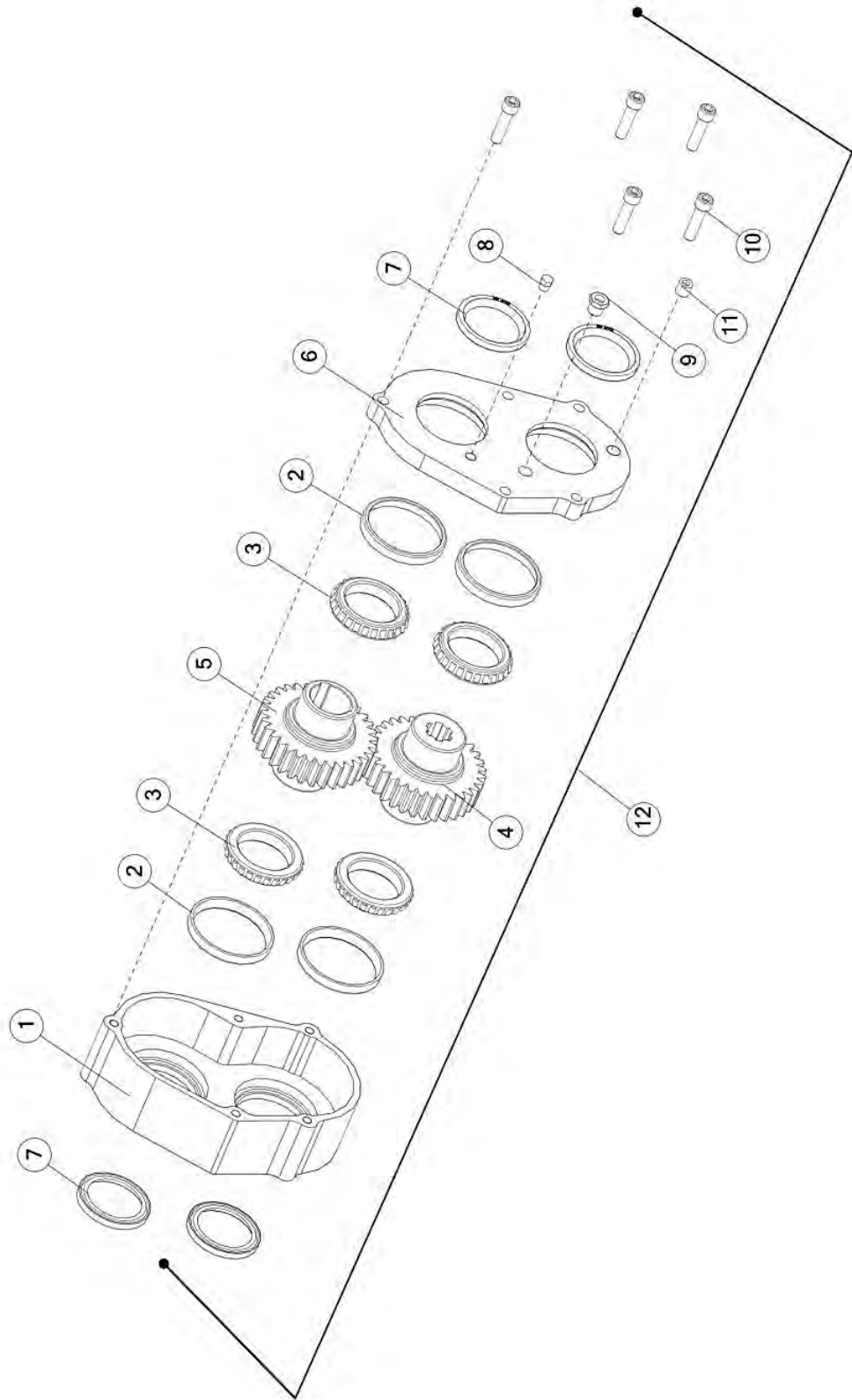
**FIGURE 23**  
**DRIVE CAM ASSEMBLY**



**FIGURE 23**  
**DRIVE CAM ASSEMBLY**

<b><u>ITEM</u></b>	<b><u>QTY</u></b>	<b><u>PART #</u></b>	<b><u>DESCRIPTION</u></b>
1	50	SPMMS13	HAY STRIPPER
2	1	SPMPL04	CENTER HAY STRIPPER
3	2	0209WE06	KEYED HUB ASSY
4	208	YSHW10005	HWH TCS "F", 5/16-18 X 1
5	1	0209WE08	RIGHT SHAFT SPACER ASSEMBLY
6	6	YNFG16005	HEX NUT, FLANGED-LOCK, 1/2-13
7	1	0209TU08	LEFT SHAFT SPACER
8	1	8257	GREASE LINE FITTING, 90 DEG ELBOW F 3/8 X 1-5/8
9	2	TFM28	HARDENED KEY
10	6	YBCR16010	CARR. BOLT, 1/2 X 1-1/2 GR 5
11	4	YSHS12010	SOCKET HEAD CAP SCREW, 3/8-16 X 1
12	1	59145	PICKUP MOTOR
13	2	GM414	FLYWHEEL BOLT
14	1	0209SH01	DRIVE SHAFT

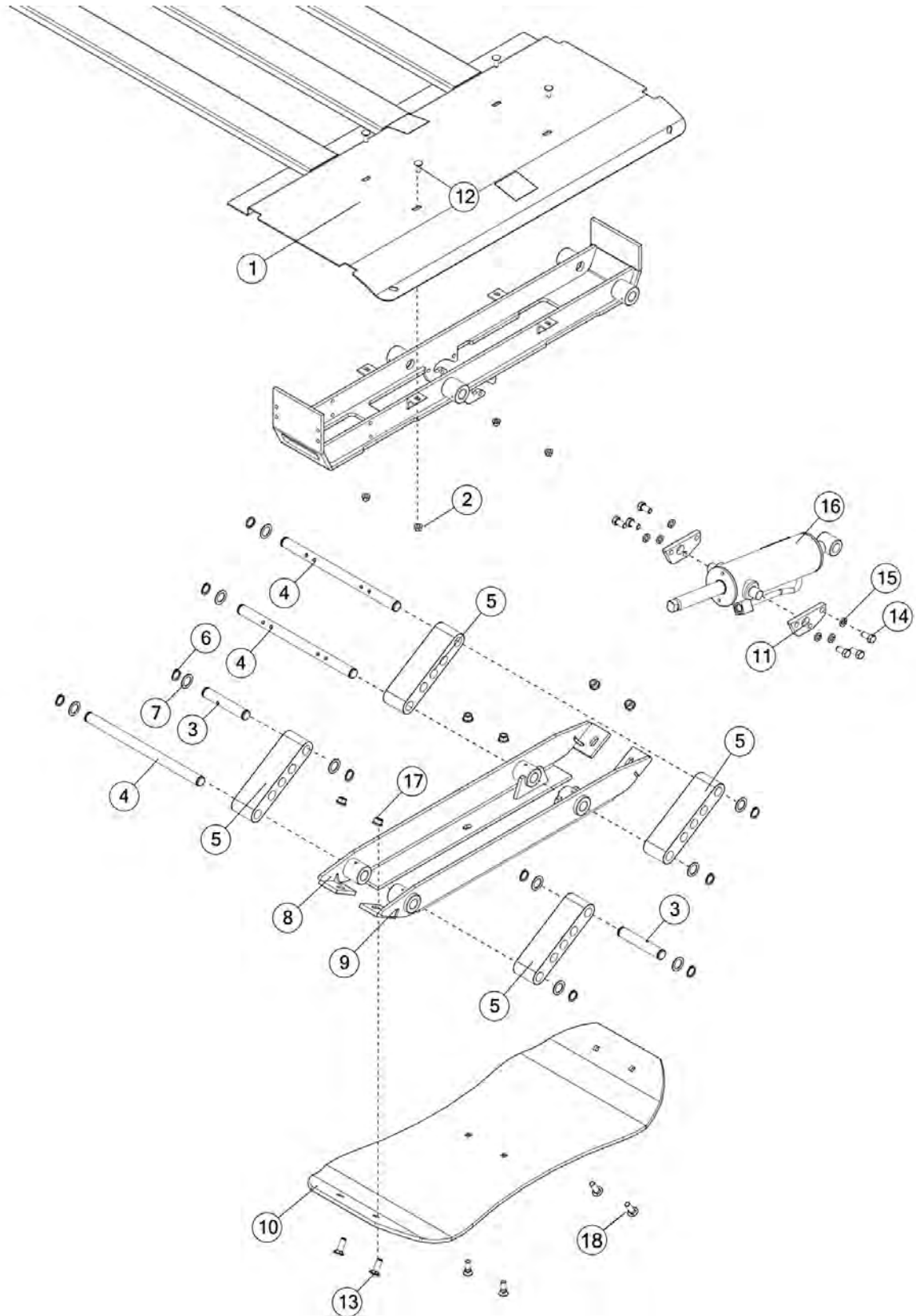
# FIGURE 24 GEARBOX ASSEMBLY



**FIGURE 24**  
**GEARBOX ASSEMBLY**

<b>ITEM</b>	<b>QTY</b>	<b>PART #</b>	<b>DESCRIPTION</b>
1	1	0209MS04	GEARCASE HOUSING
2	4	TFM33	BEARING RACE
3	4	TFM34	BEARING CONE
4	1	0209SH02	DRIVER GEAR
5	1	0209SH03	DRIVEN GEAR KEYED
6	1	0209HF06	GEAR CASE OUTER COVER
7	4	TFM35	GEARCASE SEAL
8	1	G67	PLUG-VENT 1/8 27 NPT
9	1	TFM32	1/4 NPT SIGHT GLASS (SVM-04)
10	1	YSHS12008	SOCKET HEAD CAP SCREW, 3/8-16 X 1-1/2
11	5	1141	1/4 PIPE PLUG
12	1	0209AS05	GEARBOX (COMPLETE)

# FIGURE 25 SKID SHOE LINKAGE



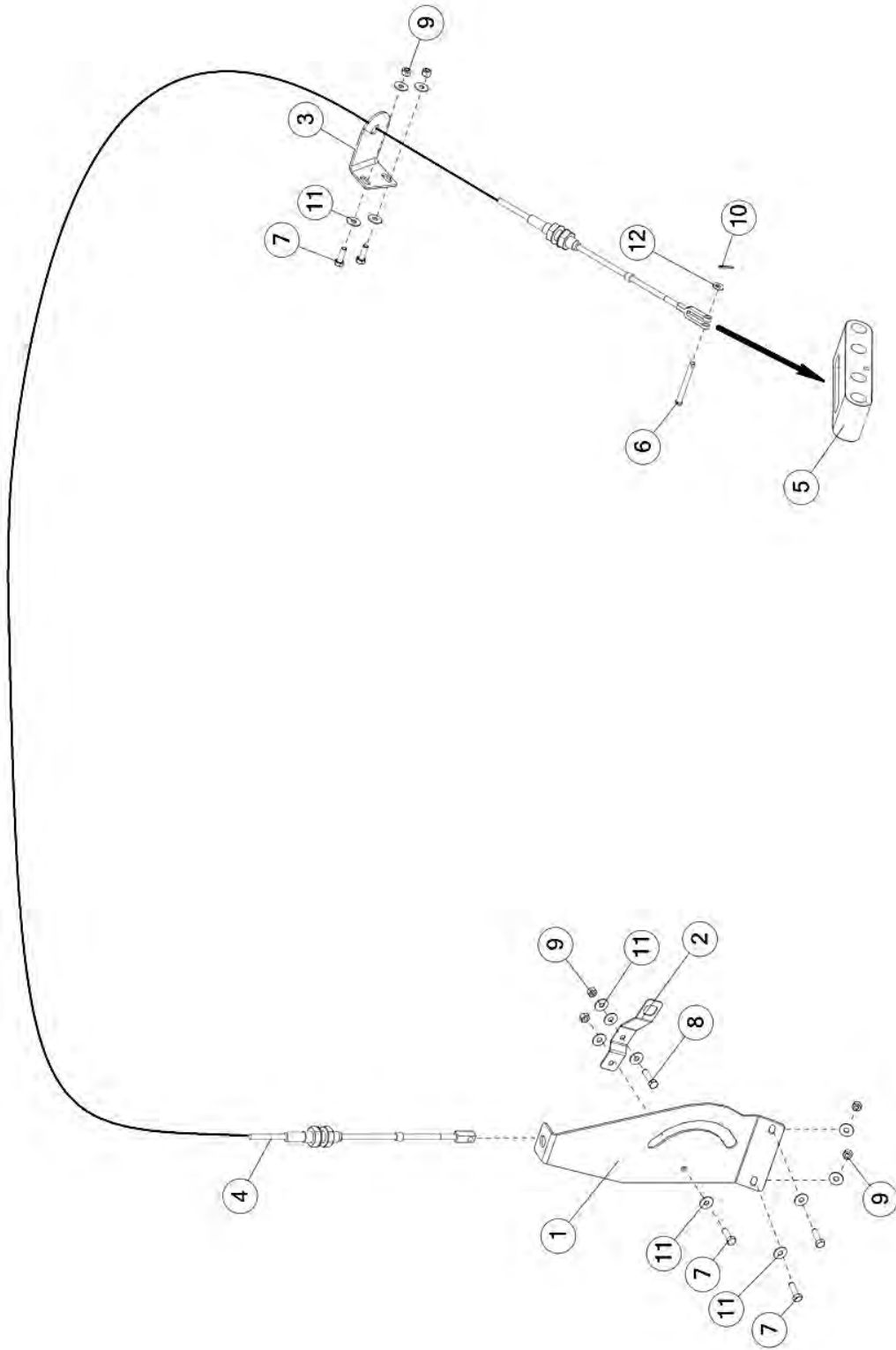
## FIGURE 25

### SKID SHOE LINKAGE

<u>ITEM</u>	<u>QTY</u>	<u>PART #</u>	<u>DESCRIPTION</u>
1	1	71815	WLDMT, BELTPAN
2	4	YNFG12005	SHOE BASE ASSM.
3	2	71058	PIN, TFM SHORT
4	3	71062	PIN, TFM LONG
5	4	71063	BRKT, SKID SHOE LINKAGE
*	1	71169	BRKT, SENSORED LINKAGE (CENTER HEAD ONLY)
6	10	3G21	SNAP RING, 1.00 X .080, HD
7	20	YWFL32010	WASHER, FLAT, 1.5X1.0X .070, ZY
8	1	71324	WLDMT, SHOE BRKT A
9	1	71325	WLDMT, SHOE BRKT B
10	1	71098	SKID SHOE LARGE
11	2	57435	TRUNNION PLATE
12	4	YBCR12010	CARR. BOLT, 3/8 X 1 GR. 5
13	4	YBCR16010	CARR. BOLT, 1/2 X 1-1/2 GR 5
14	6	YBHH16010	BOLT, 1/2 X 1 GR 5
15	6	YWLO16005	WASHER, LOCK, 1/2
16	1	72470	SKID CYL. ASSY.
*	2	CHM207	3/8 X 3/4 16 ORB STRAIGHT FITTING
*	1	60062	FITTING, SWIVEL NUT ELBOW, 3/8
*	1	71959	KIT, O-RING SEALS
17	6	YNFG16005	NUT, FLG, 1/2-13, LKTL, G, ZC
18	4	YBPL16015	BOLT, PLOW, 1/2-13X1-1/2, G5, ZC

\* MEANS NOT SHOWN

**FIGURE 26**  
**HEAD HEIGHT DIAL**

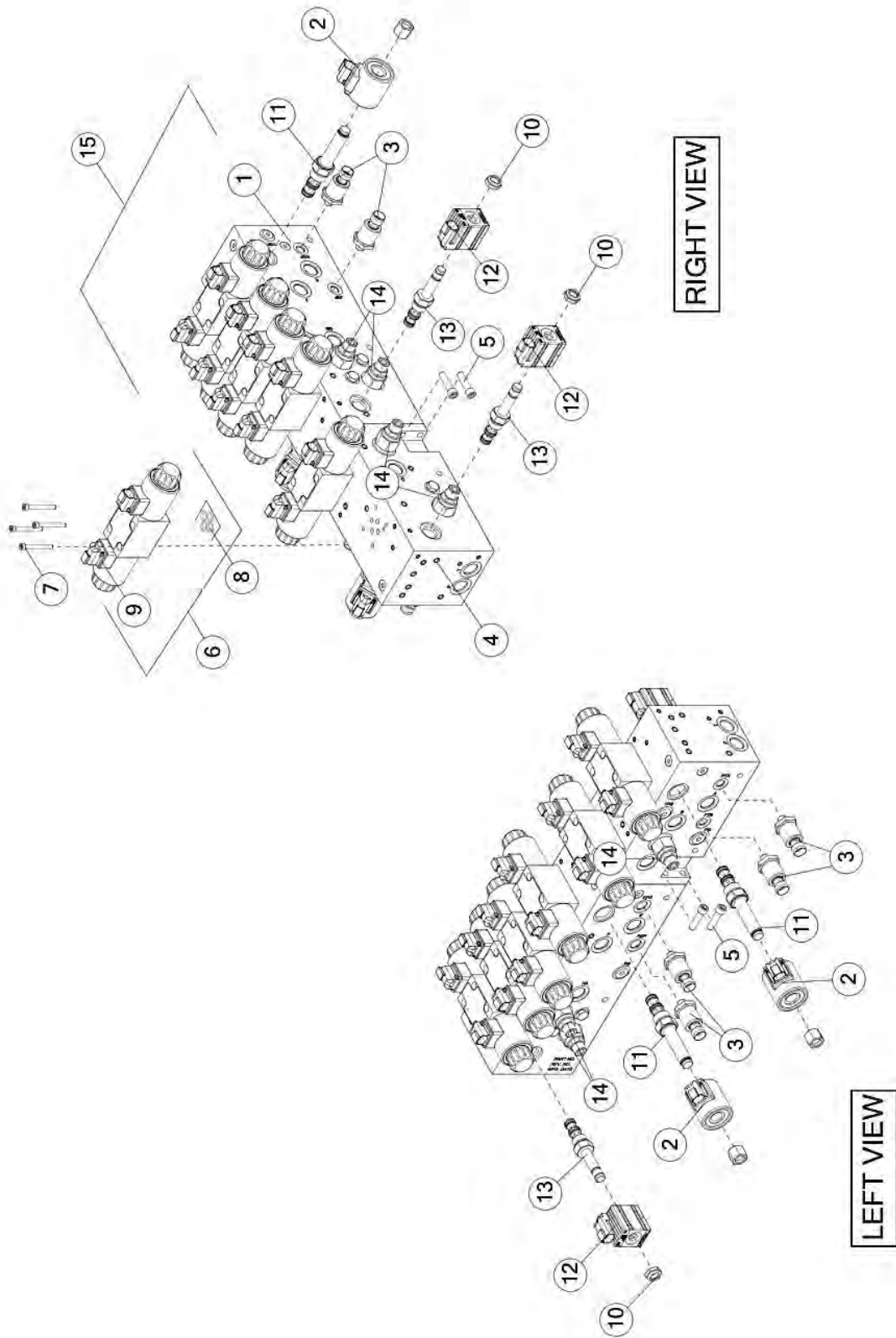


**FIGURE 26**  
**HEAD HEIGHT DIAL**

<b><u>ITEM</u></b>	<b><u>QTY</u></b>	<b><u>PART #</u></b>	<b><u>DESCRIPTION</u></b>
1	1	PTM10G54	PANEL
2	1	PTM14G11	BRACKET
3	1	71173	BRACKET, HEIGHT CABLE
4	1	TFM119	PUSH PULL CABLE BULKHEAD
5	1	71169	BRACKET, SENSORED LINKAGE
6	1	71170	PIN
7	5	YBHH10005	BOLT, 5/16 X 1 GR 2
8	1	YBHH10040	BOLT, 5/16 X 1-1/4 GR 2
9	6	YNL10005	HEX NUT, TOP LOCK, 5/16-18
10	1	YPCT03010	COTTER PIN, 3/32 X 3/4
11	13	YWFL10005	WASHER, FLAT, 5/16 USS
12	1	YWFL10010	WASHER, FLAT, 5/16" SAE GR. 8



# FIGURE 27 MAIN VALVE



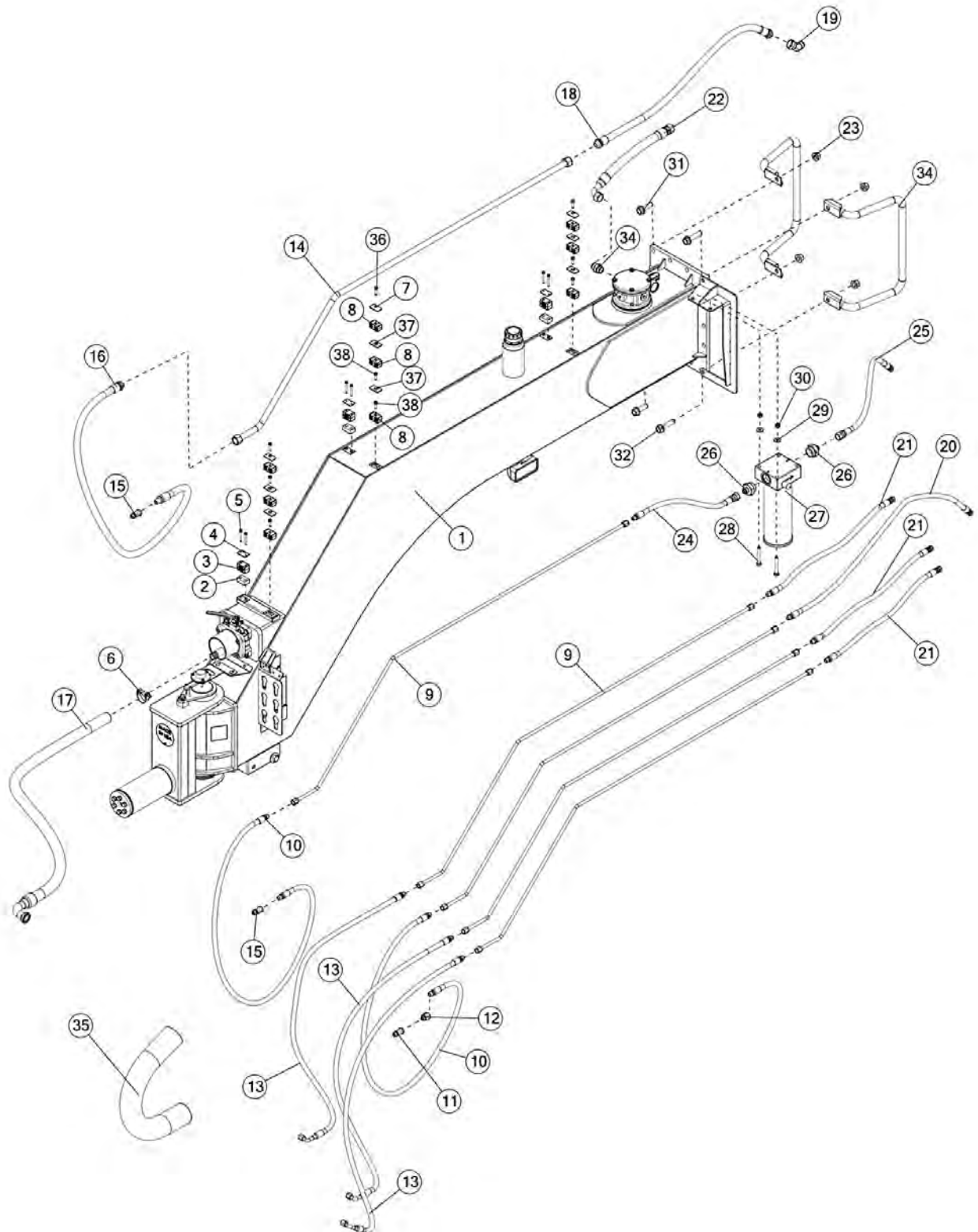
## FIGURE 27

### MAIN VALVE

<u>ITEM</u>	<u>QTY</u>	<u>PART #</u>	<u>DESCRIPTION</u>
1	1	8052	FRONT MAIN VALVE BODY
2	3	8047	COIL, PROPORTIONAL-PRESSURE REDUCING RELIEVING
3	6	8051	TRANSDUCER, 7500 PSI
*	6	74917	O-RING
4	1	8053	MANIFOLD, REAR MAIN VALVE
*	1	8049	SEAL KIT, TRI FLEX MAIN VALVE
5	4	YSHS10010	BOLT, SOCKET, 5/16-18X1-1/4, G8, BO
6	6	8044	VALVE, DIRECTIONAL
7	24	YSHS64011	BOLT, SOCKET, #10-24x1-3/4, G8, BO
8	6	8046	SEAL KIT, DIRECTIONAL VALVE
9	12	8042	COIL, MAIN VALVE
10	3	YNNJ16005	NUT, JAM, 1/2-13, LKNY, G2, ZC
11	3	8048	VALVE, PROPORTIONAL-PRESSURE REDUCING RELIEVING COMPLETE
*	3	72558	SEAL KIT, PROPORTIONAL CARTRIDGE
12	3	8043	COIL, COUNTER BALANCE DISABLE
13	3	8050	COUNTER BALANCE DISABLE CARTRIDGE
*	3	58801	PARKER SEAL KIT
14	7	76170	HYD VALVE, CB, TFM, WING FOLD
*	7	LW315	SEAL KIT
15	1	TFM62	VALVE (COMPLETE)

**\* MEANS NOT SHOWN**

# FIGURE 28 HYDRAULIC



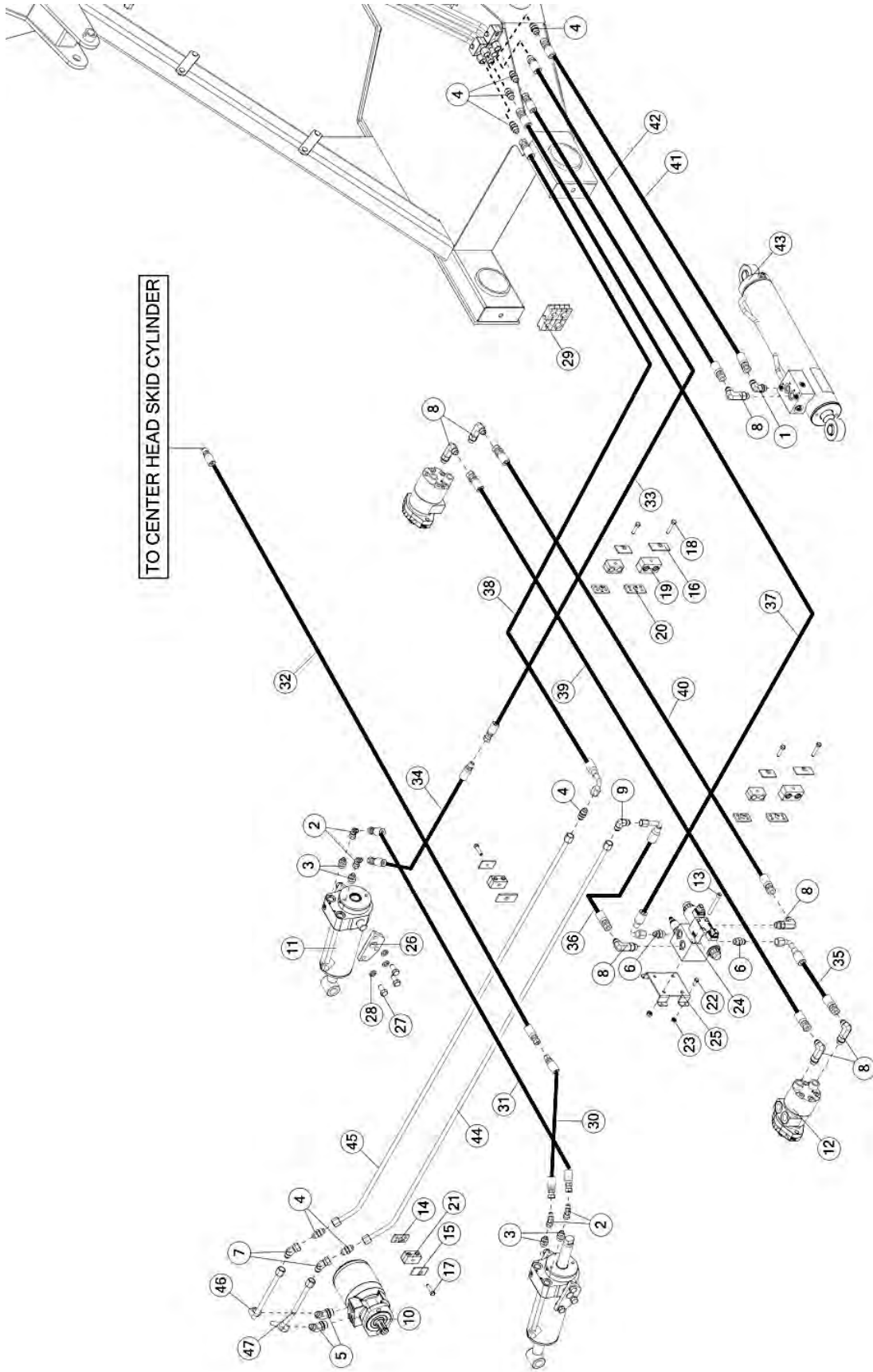
## FIGURE 28

### HYDRAULIC

<u>ITEM</u>	<u>QTY</u>	<u>PART #</u>	<u>DESCRIPTION</u>
1	1	PTMWE36	RESERVOIR
2	3	57213	SPACER
3	6	CHM286	1" TUBE CLAMP CUSHION
4	3	CHM283	TOP PLATE
5	6	YBHH08060	BOLT, 1/4 X 2-1/4 GR 5
6	1	DWM138	HOSE CLAMP, 1 1/4"
7	3	56563	CLAMP TOP PLATE
8	9	TS118	LINE CLAMP BLOCK
9	5	PTMMS02	RESERVOIR LINE 1/2"
10	2	PTMMS75	HYD HOSE, FLOAT CIRCUIT RESERVOIR LINE
11	1	1025	MALE QUICK COUPLER
12	1	1029	1/2 NPT TO 1/2 ORB ADAPTER
13	3	PTMMS76	PUMP TO POLE
14	1	PTMMS59	POLE LINE 1"
15	2	DWM205	MALE QUICK COUPLER S71-4P SAFEWAY HYD TIP
16	1	PTMMS74	HOSE TRAC. POLE REAR AXLE
17	1	PTMMS77	HOSE POLE TO PUMP
18	1	PTMMS73	W-RAISE, TUBE-TUBE
19	1	CHM267	16 TO 12 ADAPTOR 45 DEG ~ 16-V6X-S
20	1	PTMMS71	P&R TO MAIN VALVE
21	2	PTMMS72	TOP BLOCK FRONT
22	1	PTMMS70	HOSE, FILTER RETURN
23	4	YNFG24006	HEX NUT, FLANGED-LOCK, TOPLOCK GR. G- 3/4-10
24	1	59842	HOSE, FILTER IN
25	1	59849	HOSE, FILTER OUT
26	2	59646	STRAIGHT THREAD CONNECTOR
27	1	59474	FILTER PRESSURE
*	1	59992	FILTER ELEMENT
28	2	YBHH16115	BOLT, 1/2 X 3-1/2 GR 5
29	2	YWFL16005	WASHER, FLAT, 1/2 USS
30	2	YNTL16005	HEX NUT, TOP LOCK, 1/2-13
31	10	YBFB24010	BOLT, FLANGE, 3/4-10 X 2.750 GR8
32	4	YBFB24025	BOLT, FLANGE, HEX, 3/4"-10 X 3-1/4" GR 8
33	2	PTMWE95	PTM-DEFLECTOR BUMPER
34	1	TFM23	STRAIGHT THREAD CONNECTOR
35	1	GM32	SPIRAL WRAP
36	3	56568	CLAMP BOLT
37	6	56581	CLAMP TOP PLATE
38	6	56573	CLAMP STACKING BOLT

**\* MEANS NOT SHOWN**

# FIGURE 29 LEFT HEAD HYDRAULIC & COMPONENTS



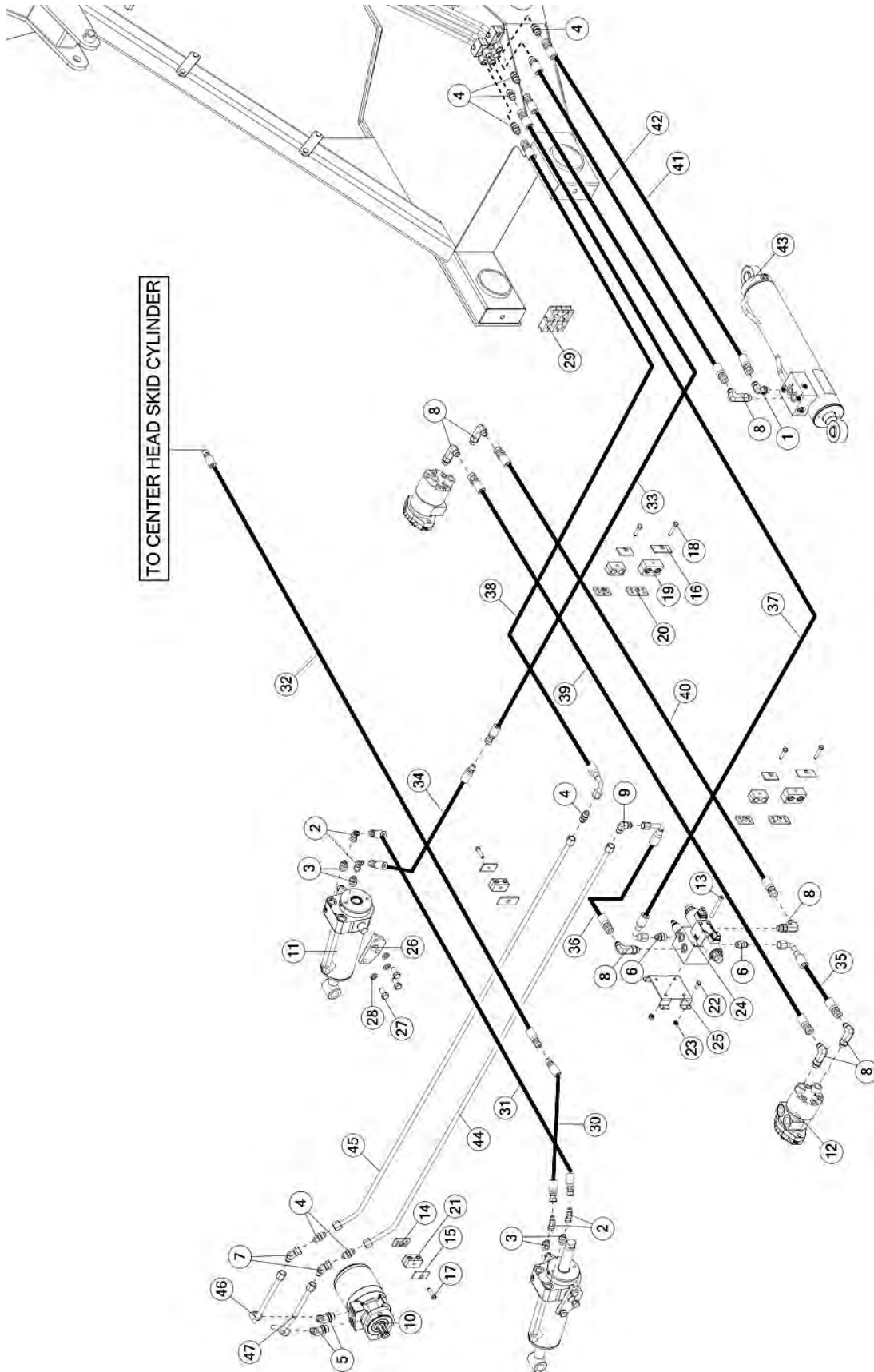
## FIGURE 29

### LEFT HEAD HYDRAULIC & COMPONENTS

<u>ITEM</u>	<u>QTY</u>	<u>PART #</u>	<u>DESCRIPTION</u>
1	1	TS135	STRAIGHT THREAD ELBOW
2	4	60062	FITTING, SWIVEL NUT ELBOW, 3/8
3	4	CHM207	CONNECTOR (6-8 F50X-S)
4	7	GM17	ADAPTER 8 HTX-S
5	2	GM29	8-10 V50X-S FITTING
6	2	TS137	FTG,12JIC,10ORB,STL
7	2	TFM40	9-45 DEGREE UNION
8	7	TFM47	LONG STRAIGHT THREAD ELBOW
9	1	1142	UNION ELBOW 90 DEGREE
10	1	TFM27	PICKUP MOTOR
11	1	72470	HYD CYL, 12.25 X 18.25
*	1	71959	KIT, O-RING SEALS
12	1	TFM46	CROSS CONVEYOR MOTOR SOCKET
13	2	YSHS12018	HEAD CAP SCREW, 3/8" X 4" 1/2" LINE
14	4	1021	DOUBLE CLAMP BASE
15	4	56563	CLAMP TOP PLATE
16	2	56564	CLAMP TOP PLATE
17	4	56568	CLAMP BOLT
18	2	56569	CLAMP BOLT
19	2	56596	CLAMP CUSHION
20	2	GM71	1/2" HOSE DOUBLE CLAMP BASE
21	4	TS118	LINE CLAMP BLOCK
22	4	YBHH08100	BOLT, 1/4-20 X 3/4 GR 5

**\* MEANS NOT SHOWN**

# FIGURE 29 LEFT HEAD HYDRAULIC & COMPONENTS



## FIGURE 29

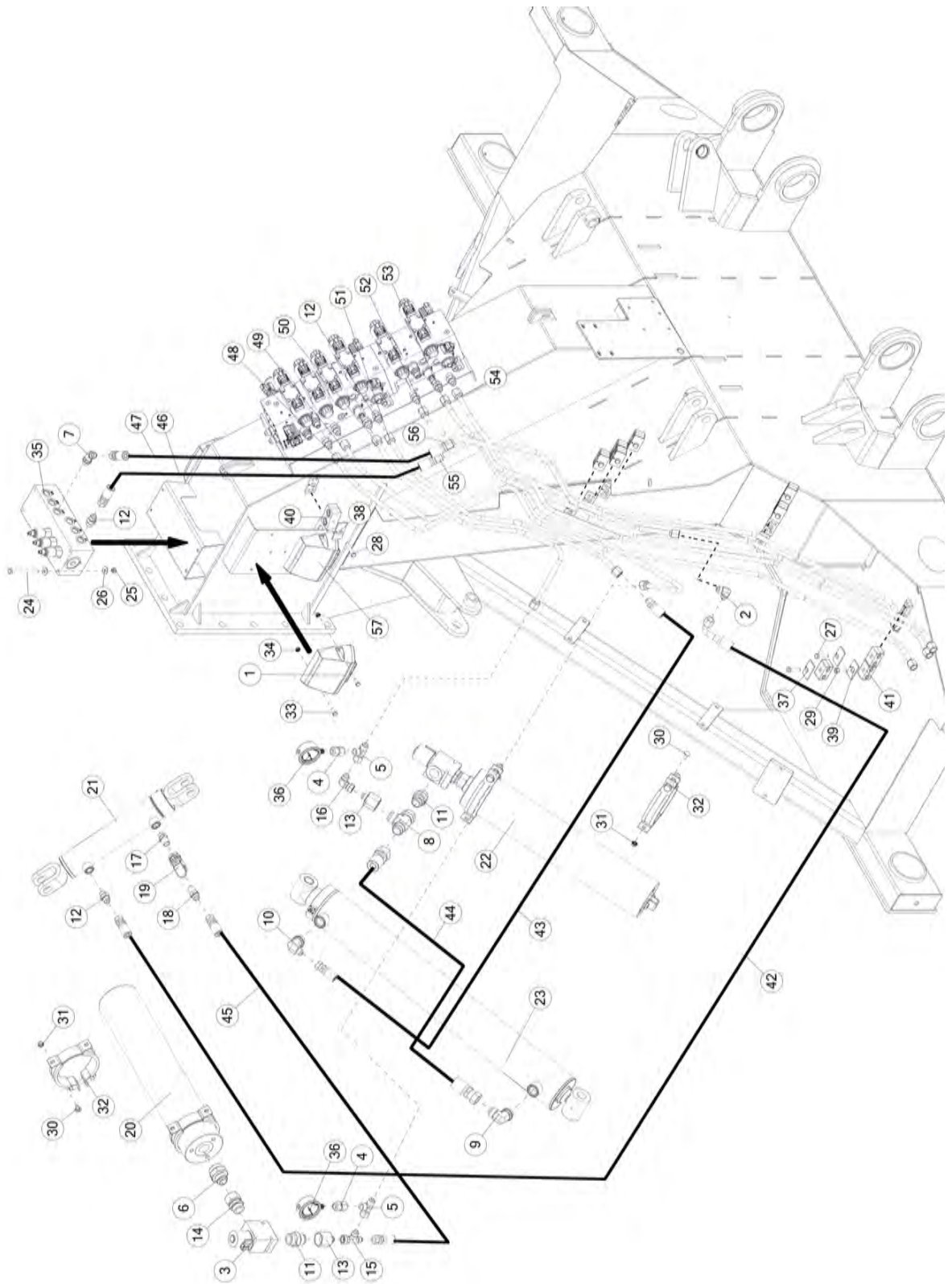
### LEFT HEAD HYDRAULIC & COMPONENTS

<u>ITEM</u>	<u>QTY</u>	<u>PART #</u>	<u>DESCRIPTION</u>
23	4	YNSF08005	HEX NUT, SERRATED FLANGE, 1/4"-20
24	1	TFM39	CROSS CONVEYOR DIRECTIONAL VALVE
*	1	8564	RELIEF CARTRIDGE
*	1	76335	SEAL, KIT
*	1	8561	VALVE, DIRECTIONAL
*	1	8046	SEAL, KIT DIRECTIONAL VALVE
25	1	SPM-10G-18	VALVE BRACKET
26	4	57435	TRUNION PLATE
27	12	YBHH16010	BOLT, 1/2"-13 X 1" GR 5
28	12	YWLO16005	WASHER, LOCK, 1/2"
29	4	TFM94	3/8" HOSE BLOCK
30	1	56488	HOSE 30 SKID SHOE 1
31	1	56489	HOSE 30 SKID SHOE 2
32	1	72409	HYD, HOSE ASSY, 6, 180, 6JIC, 6JIC
33	1	72410	HYD, HOSE ASSY, 6, 92, 6JIC, 8JIC
34	1	56487	HOSE 30 SKID SHOE 3
35	1	PTMMS97	HOSE 30 HEAD 2
36	1	PTMMS109	HOSE CENTER PICKUP 3
37	1	PTMMS101	HOSE 30 HEAD 6
38	1	72415	HYD, HOSE ASSY, 8, 115, 8JIC, 8JIC
39	1	PTMMS96	HOSE 30 HEAD 1
40	1	PTMMS99	HOSE 35 HEAD 4
41	1	PTMMS104	HOSE CYL FOLD LOCK V2
42	1	PTMMS103	HOSE CYL FOLD LOCK V1
43	1	70725	CYLINDER-FOLD/UNFOLD-INTERNAL SENSOR
*	1	71053	KIT, O-RING SEALS
44	1	0209MS02	BOTTOM LINE
45	1	0209MS03	TOP LINE
46	1	0209MS01	BACK CAM LINE
47	1	0209MS06	CAM LINE 2

\* MEANS NOT SHOWN



# **FIGURE 30** **LEFT SIDE HYDRAULIC TUBE LINES & COMPONENTS**



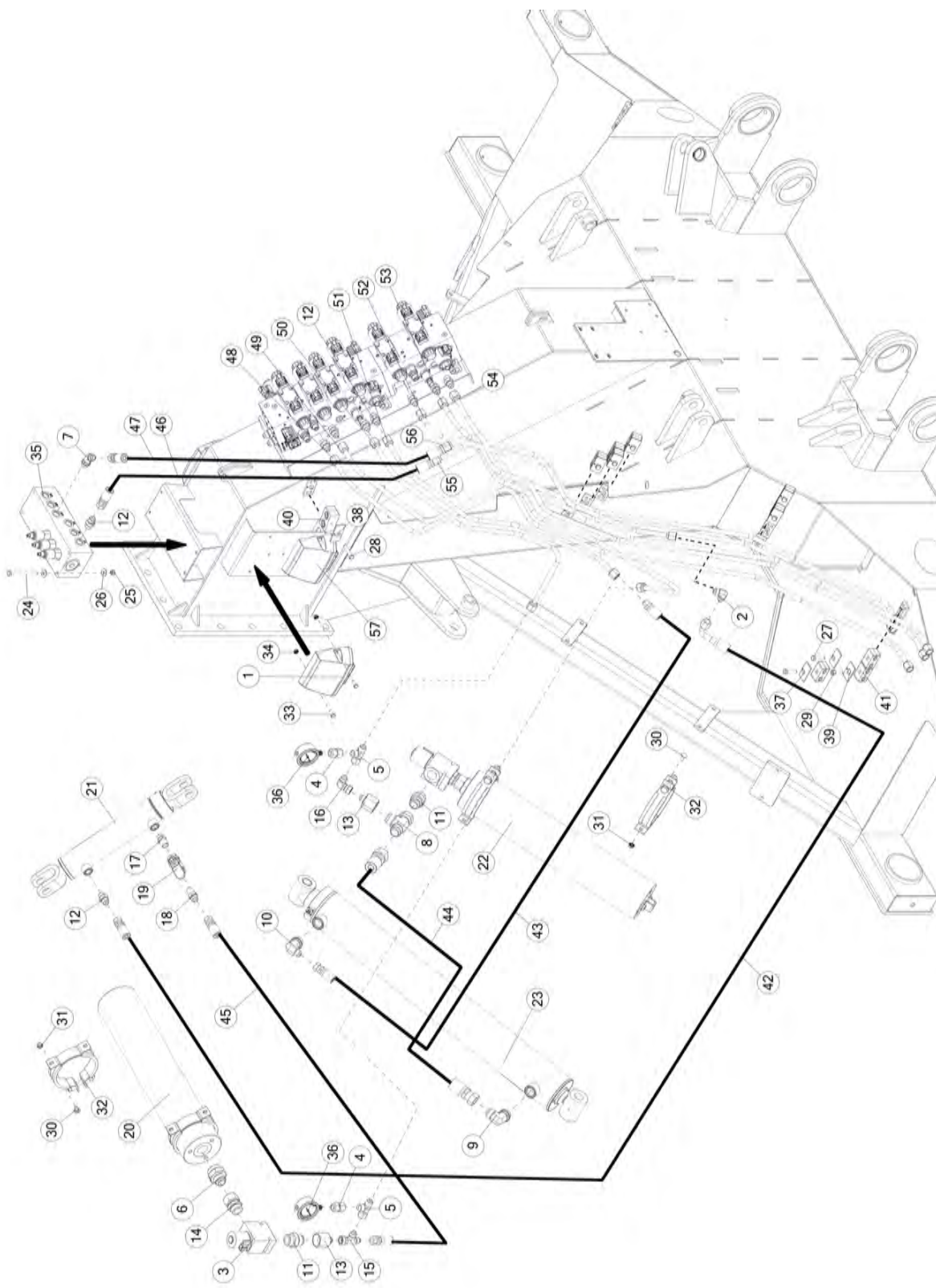
## FIGURE 30

### LEFT SIDE HYDRAULIC TUBE LINES & COMPONENTS

<u>ITEM</u>	<u>QTY</u>	<u>PART #</u>	<u>DESCRIPTION</u>
1	1	75489	CTRL MODULE, MC2, MD4 COMPAT
2	1	1142	UNION ELBOW 90 DEGREE
3	2	TFM76	ACCUMULATOR SHUT OFF VALVE
4	2	63333	1/2 TO 3/8-18 SWIVEL CONNECTOR
5	2	63336	SWIVEL RUN NUT TEE
6	2	CHM229	CONNECTOR (16-20 F50X)
7	1	8012	45 DEGREE STR THREAD ELBOW
8	1	CHM182	TEE SWIVEL RUN (16 R6X-S)
9	1	CHM194	ELBOW (12 C50X-S)
10	1	GM36	STRAIGHT THREAD ELBOW
11	2	TFM23	STRAIGHT THREAD CONNECTOR
12	9	TS137	FTG,ST,8JIC,8ORB,STL
13	2	TFM67	REDUCER
14	2	TFM81	STRAIGHT THREAD CONNECTOR SWIVEL
15	1	63336	SWIVEL RUN TEE
16	1	TFM83	90 DEGREE ELBOW
17	1	TFM89	NPTF / ORB STR THREAD CONNECTOR
18	1	TFM90	NPTF / JIC STRAIGHT THREAD CONNECTOR
19	1	WM140	1/2" BALL VALVE
20	1	TFM84	CENTER ACCUMULATOR
21	1	70724	CYLINDER-CENTER HEAD LIFT - INTERNAL SENSOR
*	1	71032	KIT, O-RING SEALS
22	1	TFM59	WING ACCUMULATOR
23	1	70219	CYL, HYD, 40.25 X 70.25
*	1	70218	KIT, O-RING SEALS
24	4	YBHH10112	BOLT, 5/16-18 X 3-3/4 GR 5
25	4	YNHX10010	HEX NUT, 5/16-18 GR 5
26	4	YWFL10005	WASHER, FLAT, 5/16 USS
27	6	56568	CLAMP BOLT
28	1	56569	CLAMP BOLT

**\* MEANS NOT SHOWN**

# **FIGURE 30** **LEFT SIDE HYDRAULIC TUBE LINES & COMPONENTS**

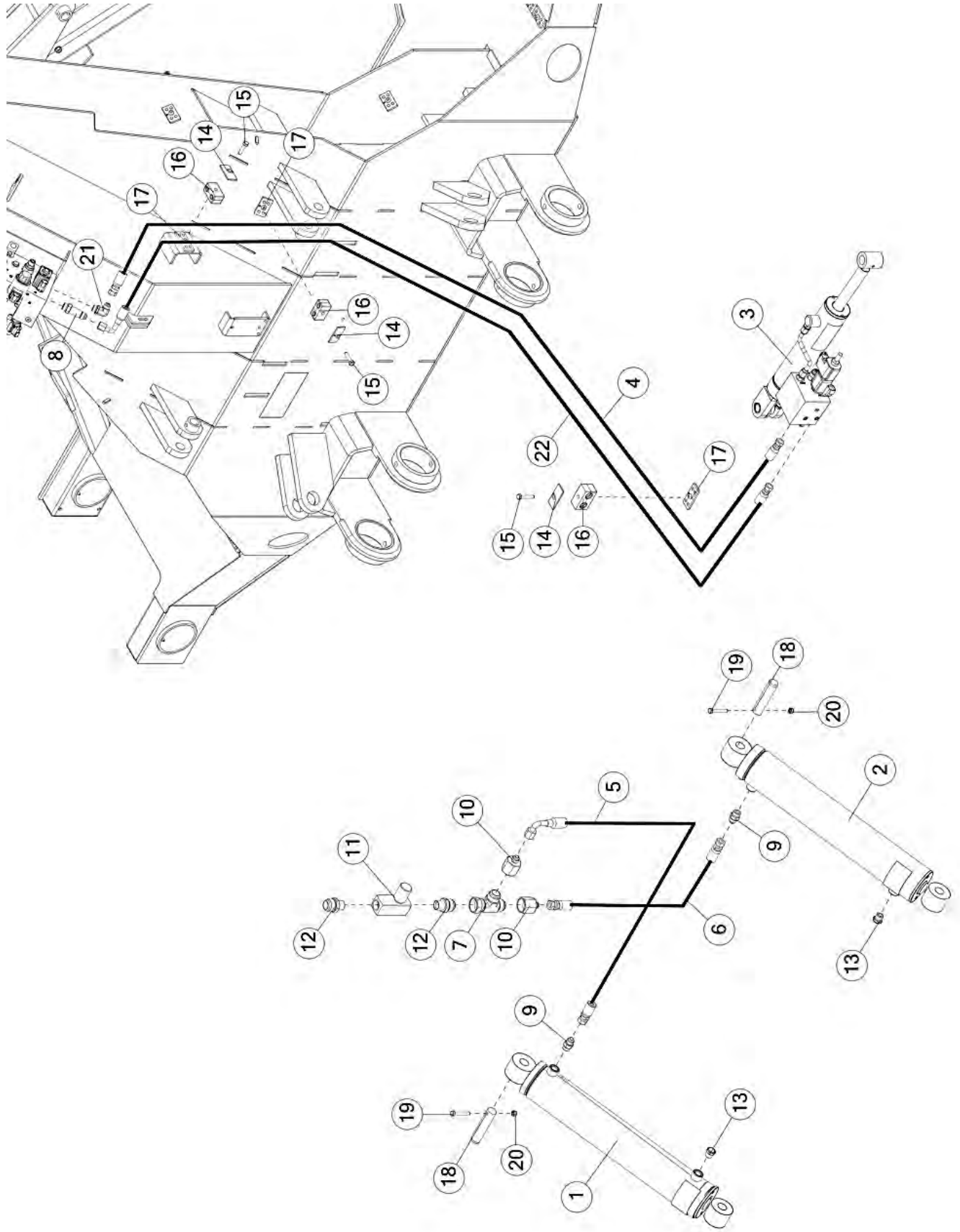


## FIGURE 30

### LEFT SIDE HYDRAULIC TUBE LINES & COMPONENTS

<u>ITEM</u>	<u>QTY</u>	<u>PART #</u>	<u>DESCRIPTION</u>
29	3	56573	CLAMP STACKING BOLT
30	8	YBCR10030	CARR. BOLT, 5/16 X 3/4 GR 5
31	8	YNSF10005	HEX NUT, SERRATED FLANGE, 5/16"-18
32	4	TFM60	ACCUMULATOR CLAMP ASSY
33	4	YBHH08100	BOLT, 1/4-20 X 3/4 GR 5
34	4	YNSF08005	HEX NUT, SERRATED FLANGE, 1/4"-20
35	1	TFM61	RELEIF MANIFOLD
36	2	61385	1-3000 PSI PRESSURE GAUGE
37	7	56563	CLAMP TOP PLATE
38	1	56564	CLAMP TOP PLATE
39	3	56581	CLAMP TOP PLATE
40	1	56596	CLAMP CUSHION
41	7	TS118	LINE CLAMP BLOCK
42	1	PTMMS106	HOSE CENTER HEAD LIFT 2 HOSE-
43	1	PTMMS110	MAIN LIFT
44	1	PTMMS115	HOSE MAIN LIFT 1
45	1	PTMMS105	HOSE CENTER HEAD LIFT 1
46	1	72399	HYD, HOSE ASSY, 8, 38.0, 8JIC, 8JIC
47	1	72397	HYD, HOSE ASSY, 8, 42.0, 8JIC, 8JIC
48	1	72353	HYD, TUBE, 0.50 X .065 X 83.341
49	1	72351	HYD, TUBE, 0.50 X .065 X 84.570
50	1	72365	HYD, TUBE, 0.50 X .065 X 40.654
51	1	72367	HYD, TUBE, 0.50 X .065 X 37.184
52	1	72369	HYD, TUBE, 0.50 X .065 X 73.588
53	1	72371	HYD, TUBE, 0.50 X .065 X 37.820
54	1	72372	HYD, TUBE, 0.50 X .065 X 49.804
55	1	72358	HYD, TUBE, 0.50 X .065 X 60.119
56	1	72360	HYD, TUBE, 0.50 X .065 X 58.831
57	2	TFM58	SLAVE CONTROL MODULE

# **FIGURE 31** **REAR CYLINDER HYDRAULICS**

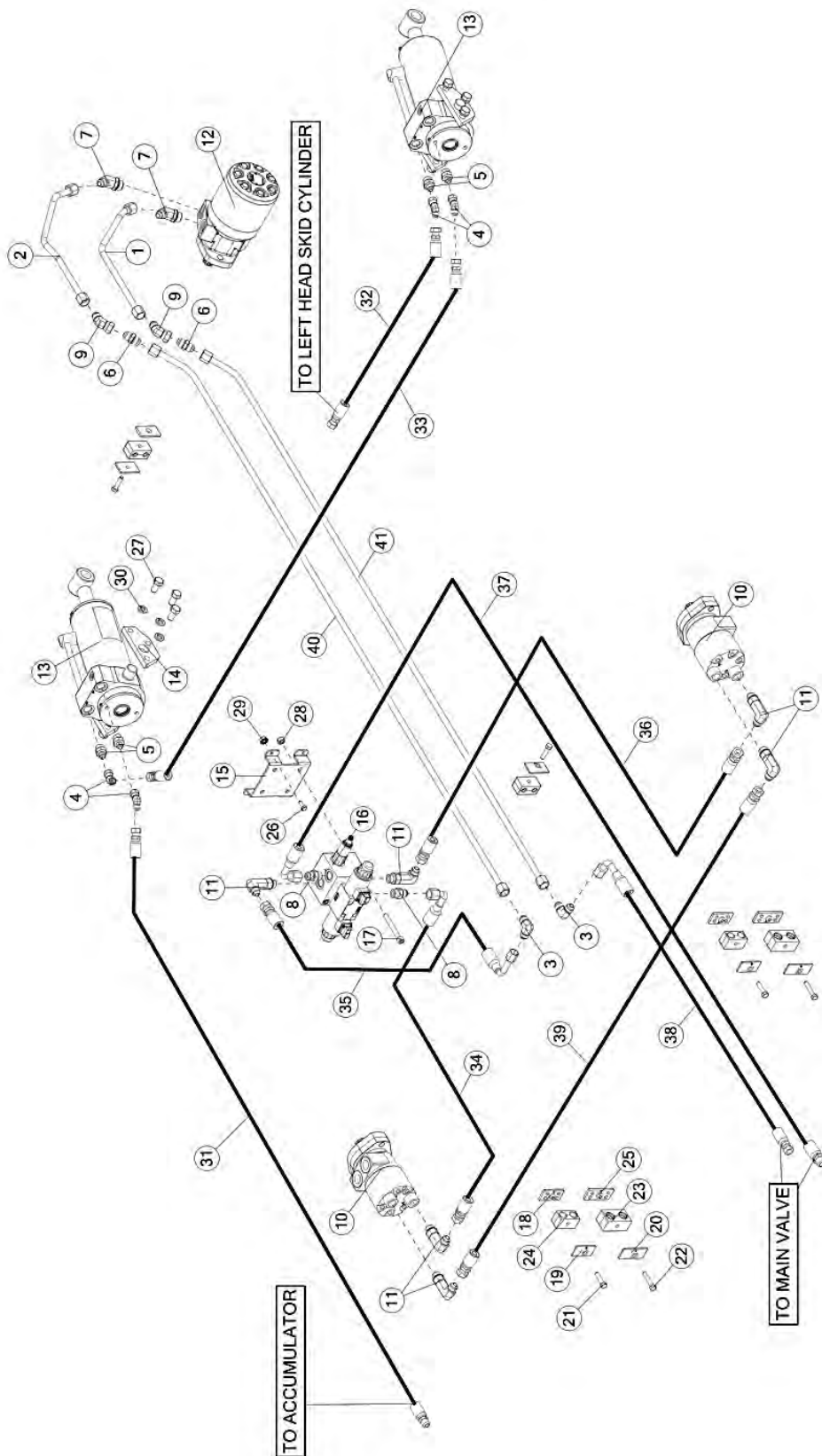


## FIGURE 31

### REAR CYLINDER HYDRAULICS

<u>ITEM</u>	<u>QTY</u>	<u>PART #</u>	<u>DESCRIPTION</u>
1	1	72468	CYL, HYD, 26.25 X 42.25
2	1	70723	CYLINDER-REAR LIFT-INTERNAL SENSOR
3	1	75622	HYD MNFD CYL ASSY,STRNG,TFM
4	1	75159	HYD, HOSE ASSY, 6, 110.00 6JIC, 8JIC
5	1	PTMMS111	HOSE-WORK RAISE DUMB
6	1	PTMMS112	HOSE-WORK RAISE SMART
7	1	CHM182	SWIVEL NUT RUN TEE
8	1	TFM107	STRAIGHT THREAD CONNECTOR LONG
9	2	TS137	ASSM,CYL,HYD,LIFT AXLE
10	2	TFM67	REDUCER
11	1	TFM79	F1200S/1A865 NEEDLE VALVE PARKER
12	2	TFM80	NPTF / 37 FLARE
13	2	TFM92	SAE 8 O-RING 40 MICRON BREATHER CAP
14	3	56564	CLAMP TOP PLATE
15	3	56569	CLAMP BOLT
16	3	56596	CLAMP CUSHION (SET OF 2)
17	3	GM71	BASE, HOSE CLAMP, TP-3
18	2	PTMSH41	WORK RAISE BASE PIN
19	2	YBHH10070	BOLT, HEX, 5/16-18 X 2, G5, ZC
20	2	YNNY10005	NUT, HEX, 5/16-18, LKNY, G2, ZC
21	1	TS135	8-C5OX-S FITTING
22	1	77131	HYD,HOSE ASSY,6,110.00 6JIC, 8JIC-90

# FIGURE 32 CENTER HEAD HYDRAULIC & COMPONENTS



## FIGURE 32

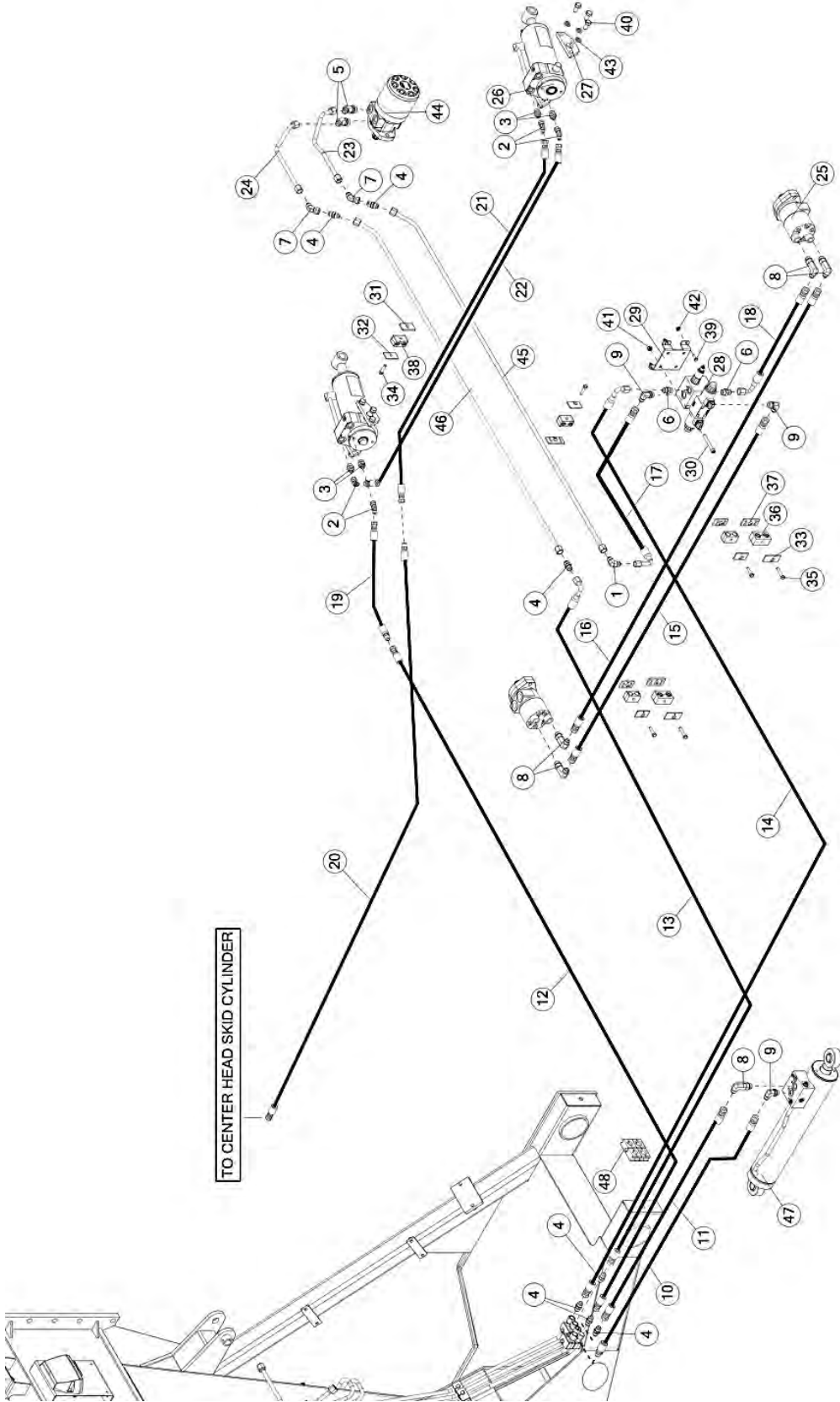
### CENTER HEAD HYDRAULIC & COMPONENTS

<u>ITEM</u>	<u>QTY</u>	<u>PART #</u>	<u>DESCRIPTION</u>
1	1	0209MS01	UPPER CAM LINE
2	1	0209MS06	CAM LINE 2
3	2	1142	UNION ELBOW 90 DEGREE
4	4	60062	FITTING, SWIVEL NUT ELBOW, 3/8
5	4	CHM207	CONNECTOR (6-8 F50X-S)
6	2	GM17	ADAPTER (8 HTX)
7	2	GM29	ELBOW, 45 DEGREE (8-10 V50X)
8	2	TS137	FTG,12JIC,10ORB,STL
9	2	TFM40	DEGREE UNION
10	2	TFM46	CROSS CONVEYOR MOTOR LONG
11	6	TFM47	STRAIGHT THREAD ELBOW
12	1	TFM27	PICKUP MOTOR
13	2	72470	HYD CYL, 12.25 X 18.25
*	2	71959	KIT, O-RING SEALS
14	4	57435	TRUNION PLATE
15	1	SPM-10G-18	VALVE BRACKET
16	1	TFM39	CROSS CONVEYOR DIRECTIONAL VALVE
*	1	8564	RELIEF CARTRIDGE
*	1	76335	SEAL, KIT
*	1	8561	VALVE, DIRECTIONAL
*	1	8046	SEAL, KIT DIRECTIONAL VALVE
17	2	YSHS12018	SOCKET HEAD CAP SCREW, 3/8" X 4" BLACK OXIDE
18	4	1021	1/2" LINE DOUBLE CLAMP BASE
19	4	56563	CLAMP TOP PLATE
20	2	56564	CLAMP TOP PLATE
21	2	56568	CLAMP BOLT 5/16-18 x 1-3/8
22	2	56569	CLAMP BOLT
23	2	56596	CLAMP CUSHION
24	4	CHM278	CLAMP HALF 3/8" HOSE
25	2	GM71	1/2" HOSE DOUBLE CLAMP BASE
26	4	YBHH08100	BOLT, 1/4-20 X 3/4 GR 5
27	12	YBHH16010	BOLT, 1/2"-13 X 1" GR 5
28	2	YNRL12005	HEX NUT, REVERSIBLE-SIDE LOCK
29	4	YNSF08005	HEX NUT, SERRATED FLANGE, 1/4"-20
30	12	YWLO16005	WASHER, LOCK, 1/2"
31	1	56488	HOSE 30 SKID SHOE 1
32	1	56487	HOSE 30 SKID SHOE 3
33	1	56489	HOSE 30 SKID SHOE 2
34	1	PTMMS97	HOSE 30 HEAD 2
35	1	PTMMS109	HOSE CENTER PICKUP 3
36	1	PTMMS99	HOSE 35 HEAD 4
37	1	PTMMS108	HOSE CENTER PICKUP 2
38	1	PTMMS107	HOSE CENTER PICKUP 1
39	1	PTMMS96	HOSE 30 HEAD 1
40	1	0209MS02	BOTTOM LINE
41	1	0209MS03	TOP LINE

\* MEANS NOT SHOWN



# FIGURE 33 RIGHT HEAD HYDRAULIC & COMPONENTS

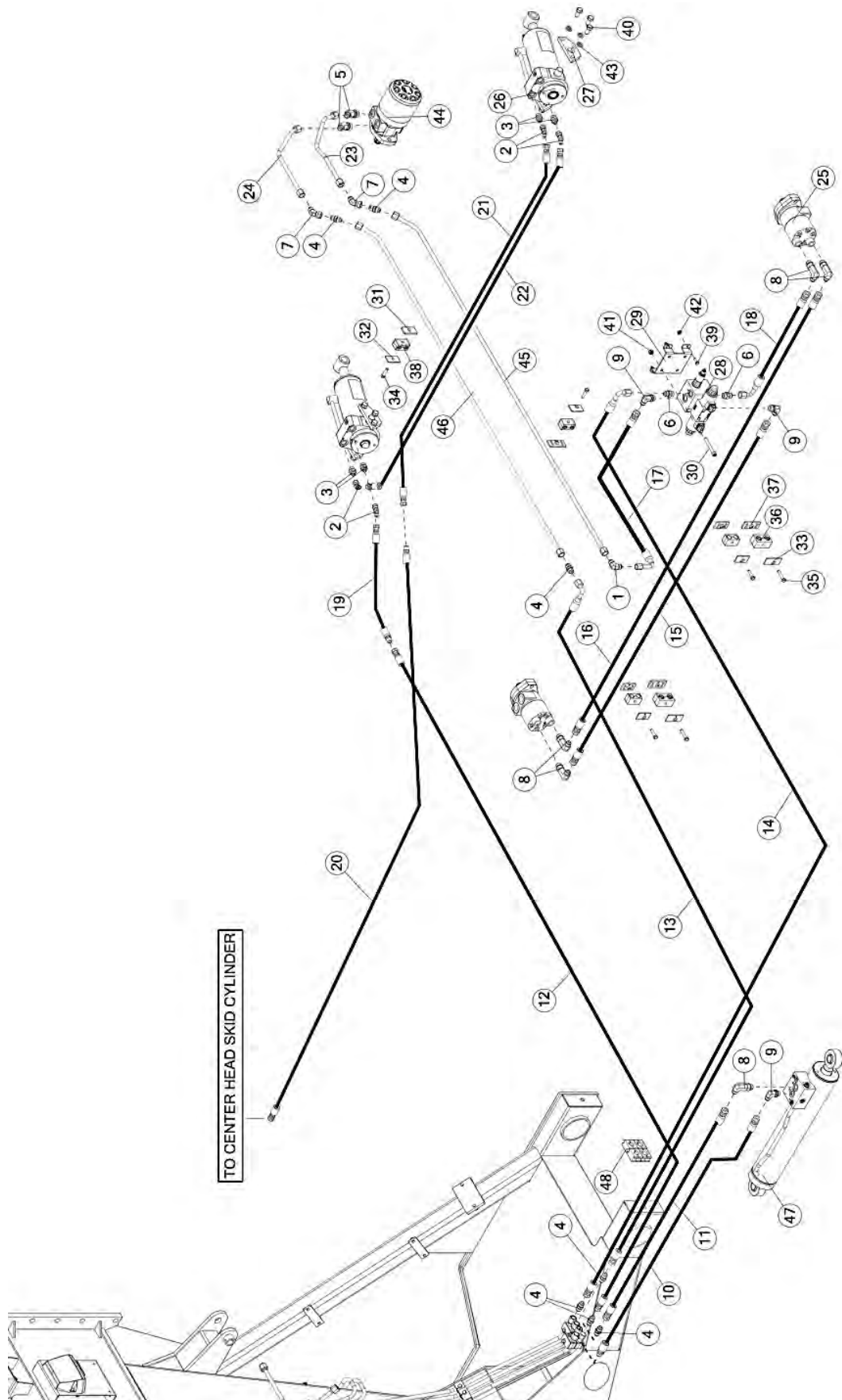


## FIGURE 33

### RIGHT HEAD HYDRAULIC & COMPONENTS

<u>ITEM</u>	<u>QTY</u>	<u>PART #</u>	<u>DESCRIPTION</u>
1	1	1142	UNION ELBOW 90 DEGREE
2	4	60062	FITTING, SWIVEL NUT ELBOW, 3/8
3	4	CHM207	CONNECTOR (6-8 F50X-S)
4	7	GM17	ADAPTER (8 HTX)
5	2	GM29	ELBOW, 45 DEGREE (8-10 V50X)
6	2	TS137	FTG,12JIC,10ORB,STL
7	2	TFM40	45 DEGREE UNION
8	5	TFM47	LONG STRAIGHT THREAD ELBOW
9	3	TS135	STRAIGHT THREAD ELBOW
10	1	PTMMS103	HOSE CYL FOLD LOCK V1
11	1	PTMMS104	HOSE CYL FOLD LOCK V2
12	1	72411	HYD, HOSE ASSY, 6, 98.0, 6JIC, 8JIC
13	1	72415	HYD, HOSE ASSY, 8, 115, 8JIC, 8JIC
14	1	PTMMS101	HOSE 30 HEAD 6
15	1	PTMMS100	HOSE 30 HEAD 5
16	1	PTMMS96	HOSE 30 HEAD 1
17	1	PTMMS109	HOSE CENTER PICKUP 3
18	1	PTMMS98	HOSE 30 HEAD 3
19	1	56488	HOSE 30 SKID SHOE 1
20	1	72409	HYD, HOSE ASSY, 6, 180, 6JIC, 6JIC
21	1	56487	HOSE 30 SKID SHOE 3
22	1	56489	HOSE 30 SKID SHOE 2
23	1	0209MS01	BACK CAM LINE
24	1	0209MS06	CAM LINE 2

# FIGURE 33 RIGHT HEAD HYDRAULIC & COMPONENTS

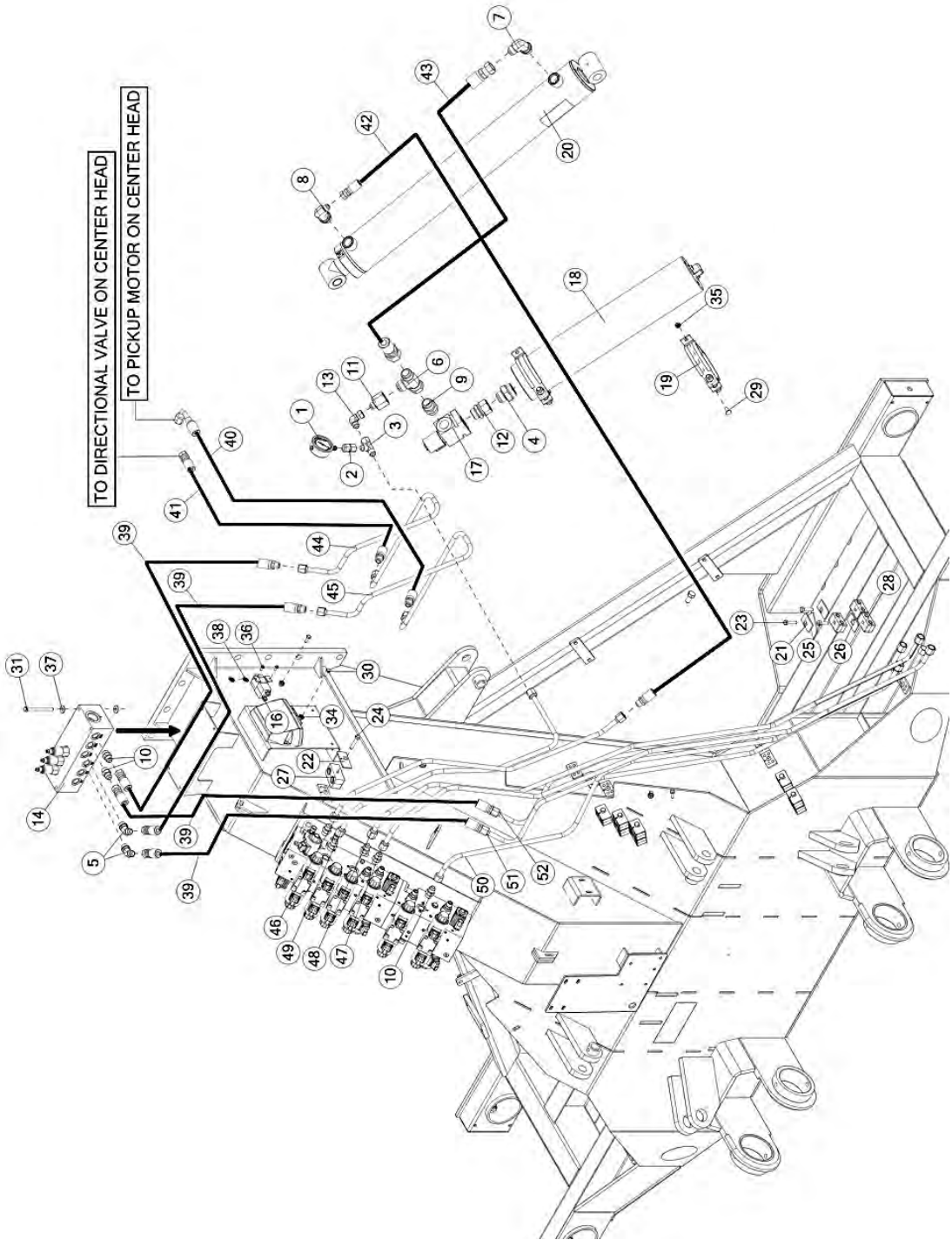


## **FIGURE 33**

### **RIGHT HEAD HYDRAULIC & COMPONENTS**

<b><u>ITEM</u></b>	<b><u>QTY</u></b>	<b><u>PART #</u></b>	<b><u>DESCRIPTION</u></b>
25	2	TFM46	CROSS CONVEYOR MOTOR
26	2	72470	HYD CYL, 12.25 X 18.25
*	2	71959	KIT, O-RING SEALS
27	4	57435	TRUNNION PLATE
28	1	TFM39	CROSS CONVEYOR DIRECTIONAL VALVE
*	1	8564	RELIEF CARTRIDGE
*	1	76335	SEAL, KIT
*	1	8561	VALVE, DIRECTIONAL
*	1	8046	SEAL, KIT DIRECTIONAL VALVE
29	1	SPM-10G-18	VALVE BRACKET
30	2	YSHS12018	SOCKET HEAD CAP SCREW, 3/8" X 4"
31	4	1021	1/2" LINE DOUBLE CLAMP BASE
32	4	56563	CLAMP TOP PLATE
33	2	56564	CLAMP TOP PLATE
34	4	56568	CLAMP BOLT
35	2	56569	CLAMP BOLT
36	2	56596	CLAMP CUSHION
37	2	GM71	1/2" HOSE DOUBLE CLAMP BASE
38	4	TS118	LINE CLAMP BLOCK
39	4	YBHH08100	BOLT, 1/4-20 X 3/4 GR 5
40	12	YBHH16010	BOLT, 1/2-13 X 1 GR 5
41	4	YNSF08005	HEX NUT, SERRATED FLANGE, 1/4"-20
42	2	YNRL12005	HEX NUT, REVERSIBLE-SIDE LOCK, 3/8"-16
43	12	YWLO16005	WASHER, LOCK, 1/2"
44	1	TFM27	PICKUP MOTOR
45	1	0209MS02	BOTTOM LINE
46	1	0209MS03	TOP LINE
47	1	70725	CYLINDER-FOLD/UNFOLD-INTERNAL SENSOR
*	1	71053	KIT, O-RING SEALS
48	4	TFM94	3/8" HOSE BLOCK

**FIGURE 34**  
**RIGHT SIDE HYDRAULIC TUBE LINES & COMPONENTS**



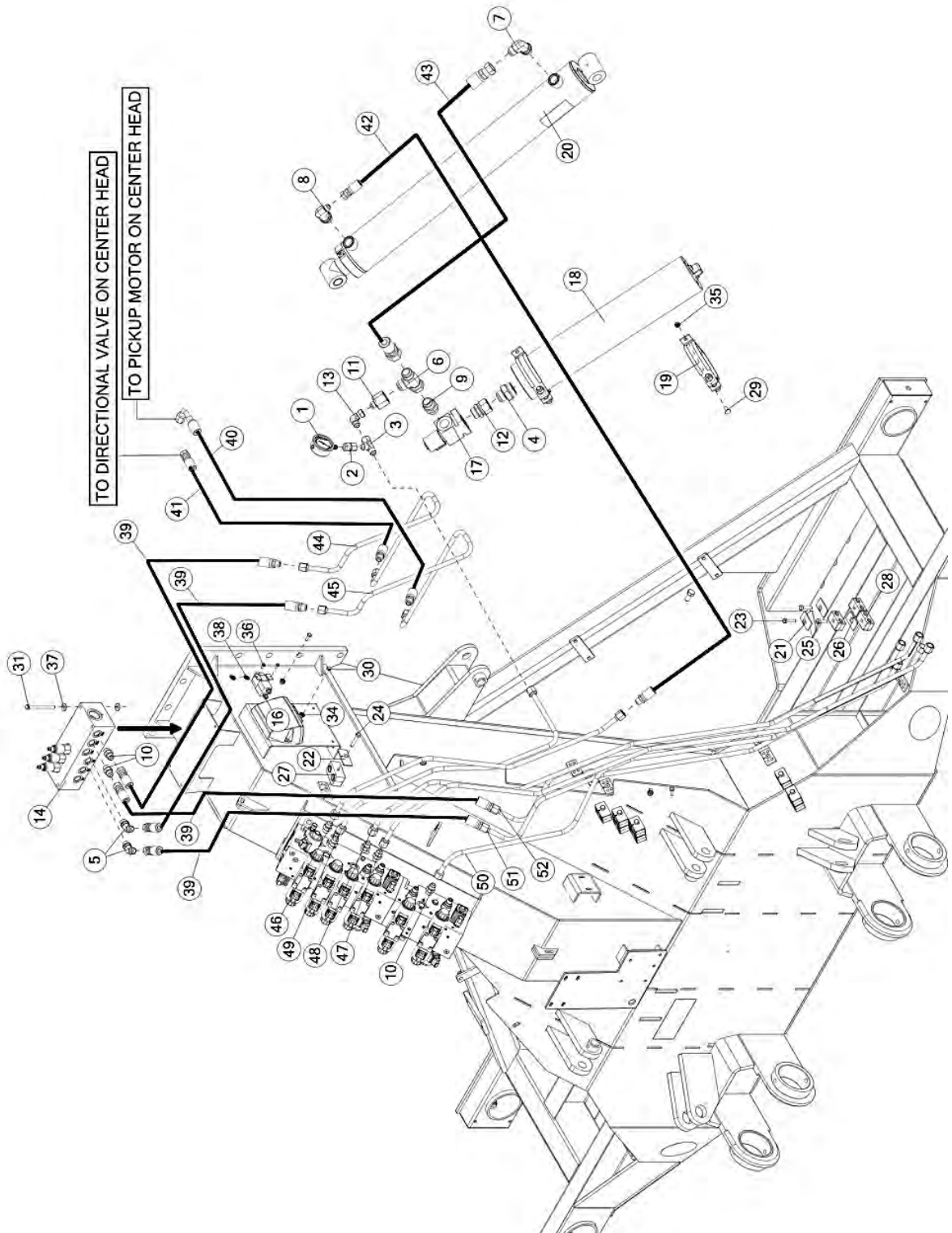
## FIGURE 34

### RIGHT SIDE HYDRAULIC TUBE LINES & COMPONENTS

<u>ITEM</u>	<u>QTY</u>	<u>PART #</u>	<u>DESCRIPTION</u>
1	1	61385	O-3000 PSI PRESSURE GAUGE
2	1	63333	1/2 TO 3/8-18 SWIVEL CONNECTOR
3	1	63336	SWIVEL RUN NUT TEE
4	1	8008	STRAIGHT THREAD ADAPTER
5	2	8012	45 DEGREE STR THREAD ELBOW 37 DEGREE FLARE/ SAE-ORB
6	1	CHM182	SWIVEL NUT RUN TEE
7	1	CHM194	STRAIGHT THREAD ELBOW
8	1	GM36	STRAIGHT THREAD ELBOW
9	1	TFM23	STRAIGHT THREAD CONNECTOR
10	7	TS137	FTG,ST,8JIC,8ORB,STL
11	1	TFM67	REDUCER
12	1	TFM81	STR THREAD CONNECTOR SWIVEL
13	1	TFM83	90 DEGREE ELBOW
14	1	TFM61	RELIEF MANIFOLD
*	3	8564	RELIEF CARTRIDGE
*	3	76335	SEAK KIT
15	1	TFM58	SLAVE CONTROL MODULE
16	1	TFM101	12V CONTACTOR
17	1	TFM76	ACCUMULATOR SHOTTOFF VALVE
18	1	TFM59	WING ACCUMULATOR
19	1	TFM60	ACCUMULATOR CLAMP ASSY
20	1	70219	CYL, HYD, 40.25 X 70.25
*	1	70218	KIT, O-RING SEALS
21	7	56563	CLAMP TOP PLATE
22	1	56564	CLAMP TOP PLATE
23	7	56568	CLAMP BOLT
24	1	56569	CLAMP BOLT
25	3	56573	CLAMP STACKING BOLT
26	3	56581	CLAMP TOP PLATE

**\* MEANS NOT SHOWN**

# FIGURE 34 RIGHT SIDE HYDRAULIC TUBE LINES & COMPONENTS



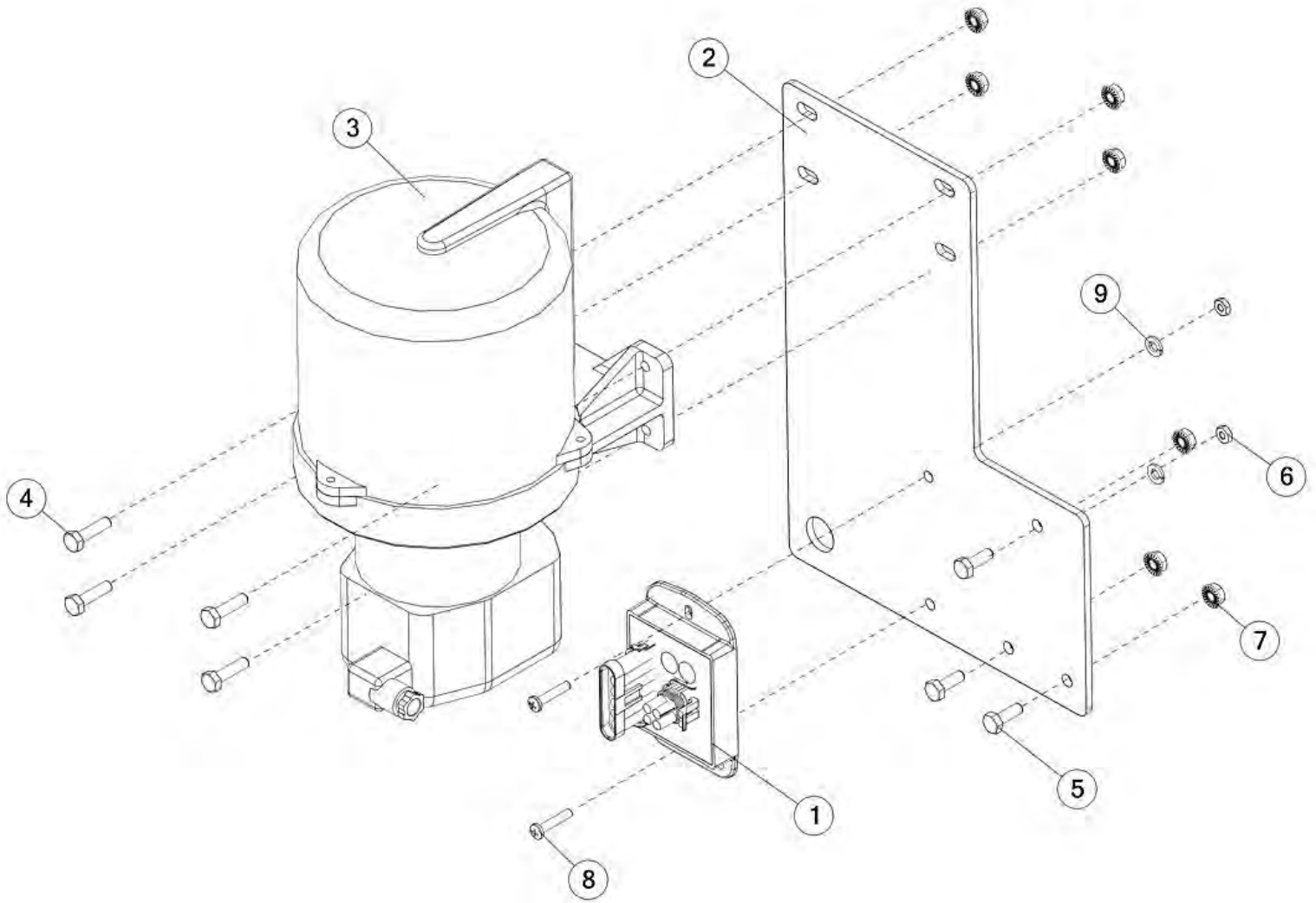
## FIGURE 34

### RIGHT SIDE HYDRAULIC TUBE LINES & COMPONENTS

<u>ITEM</u>	<u>QTY</u>	<u>PART #</u>	<u>DESCRIPTION</u>
27	1	56596	CLAMP CUSHION
28	11	TS118	LINE CLAMP BLOCK
29	2	YBCR10030	CARR. BOLT, 5/16 X 3/4 GR 5
30	2	YBHH08100	BOLT, 1/4-20 X 3/4 GR 5
31	4	YBHH10112	BOLT, 5/16-18 X 3-3/4 GR 5
32	4	YNHX10010	HEX NUT, 5/16-18 GR 5
33	2	YNHX64010	#10-24 HEX NUT, ZINC
34	2	YNSF08005	1/4-20 SERRATED FLNG NUT
35	2	YNSF10005	HEX NUT, SERRATED FLANGE, 5/16"-18
36	2	YSPF64005	MISC, PHILLIPS PAN HEAD TYPE, 10-32 X 1/2"
37	8	YWFL10005	WASHER, FLAT, 5/16 USS
38	2	YWSI64005	WASHER, LOCK, STAR, INTERNAL/EXTERNAL, #10
39	2	72397	HYD, HOSE ASSY, 8, 42.0, 8JIC, 8JIC
40	1	PTMMS107	HOSE CENTER PICKUP 1
41	1	PTMMS109	HOSE CENTER PICKUP 3
42	1	PTMMS110	HYD, TUBE, 0.50 X .065 X 41.105
43	1	PTMMS115	HOSE MAIN LIFT 1
44	1	72341	HYD, TUBE, 0.50 X .065 X 41.105
45	1	72343	HYD, TUBE, 0.50 X .065 X 43.441
46	1	72335	HYD, TUBE, 0.50 x .065 x 42.844
47	1	72337	HYD, TUBE, 0.50 X .065 X 76.391
48	1	72339	HYD, TUBE, 0.50 X .065 X 75.856
49	1	72349	HYD, TUBE, 0.50 X .065 X 42.223
50	1	PTMMS33	HEAD HEIGHT RETURN LINE (PORT D)
51	1	72345	HYD, TUBE, 0.50 X .065 X 57.211
52	1	72347	HYD, TUBE, 0.50 X .065 X 56.555



# **FIGURE 35** **GREASE SYSTEM**



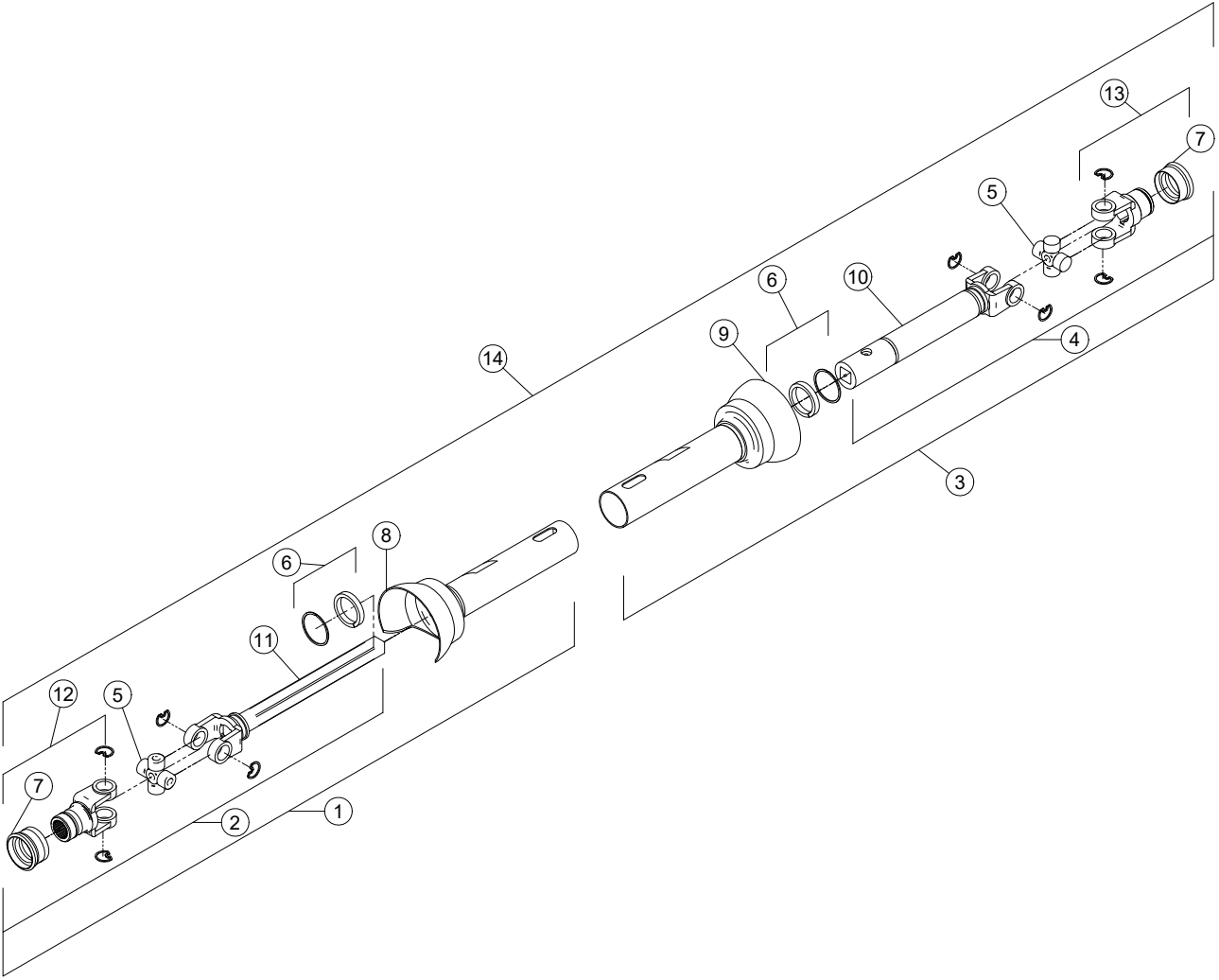
## FIGURE 35

### GREASE SYSTEM

<u>ITEM</u>	<u>QTY</u>	<u>PART #</u>	<u>DESCRIPTION</u>
1	1	69908	MODULE, CONTROL, BLINKER
2	1	PTM6G40	POWER GREASE ADAPTER
3	1	TFM95	PTM GREASE KIT
*	A/R	56117	GREASE SYSTEM ELECTRICAL HARNESS
*	A/R	8649	GREASE LINE SPLICE KIT
*	A/R	8256	POWER LUBE BULK GREASE LINE 15'
*	A/R	8257	GREASE LINE FITTING, 90 DEG ELBOW 5/32OD X 1/4" UNF
*	A/R	8258	GREASE LINE FITTING, STRAIGHT, 5/32OD X 5/16" UNF
*	A/R	8259	GREASE LINE FITTING, 90 DEG ELBOW 5/32OD X 1/8" NPT
*	A/R	54573	GREASE LINE FITTING, STRAIGHT, 5/32OD X M6 X 1
*	A/R	54572	GREASE LINE FITTING, STRAIGHT, 5/32OD X 1/4" UNF
4	4	YBHH08010	BOLT, 1/4-20" X 1" GR 5
5	3	YBHH08100	BOLT, 1/4-20 X 3/4 GR 5
6	2	YNHX64005	HEX NUT, #10-32, MACHINE SCREW
7	3	YNSF08005	HEX NUT, SERRATED FLANGE, 1/4"-20
8	2	YSPP64010	#10-32X1 MACHINE SCREW, PAN HEAD PHILLIPS, (ZINC)
9	2	YWLO08005	WASHER, LOCK, 1/4, ZINC

**A/R MEANS AS REQUIRED**

**FIGURE 36**  
**PTO ASSEMBLY SHORT**

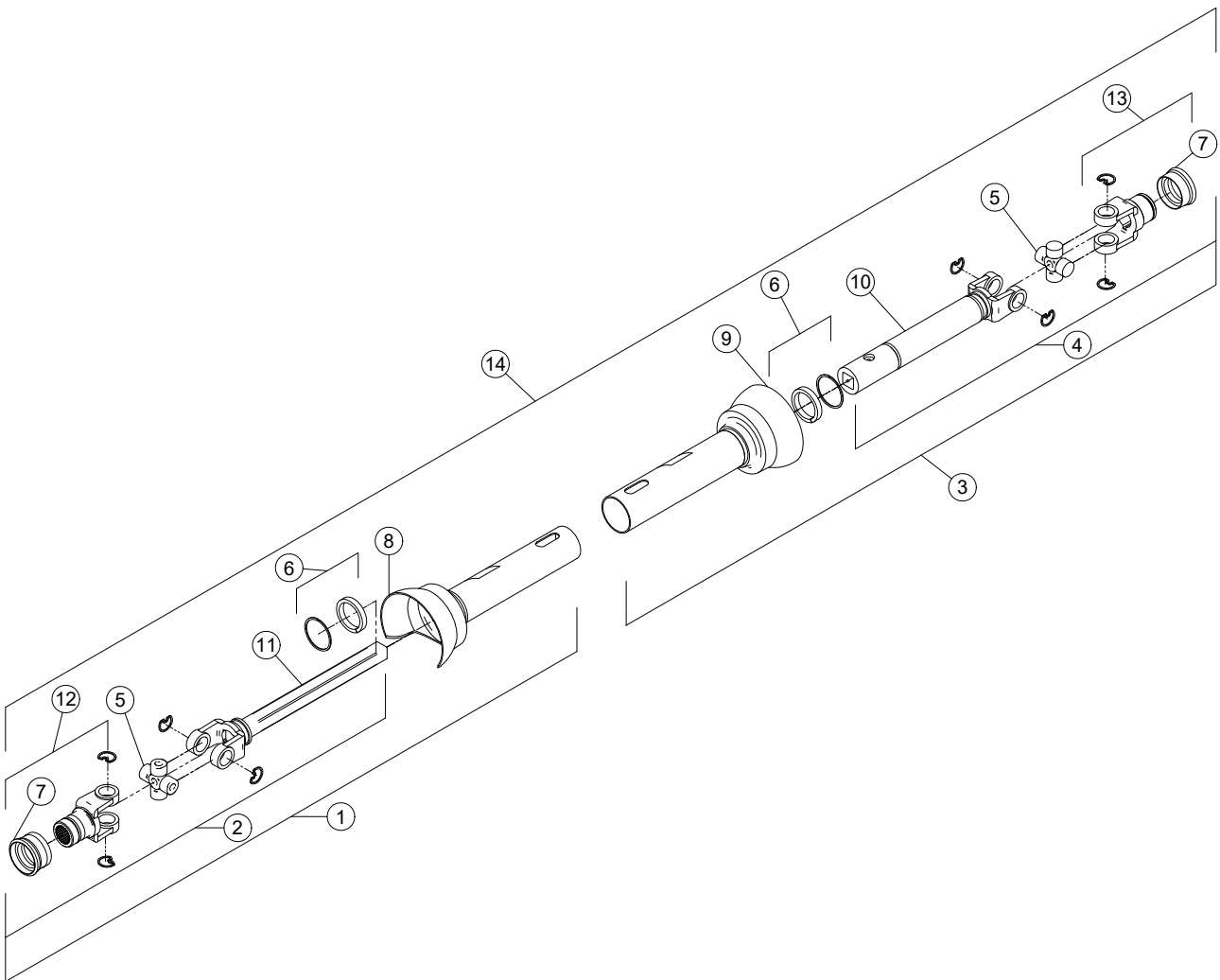


## FIGURE 36

### PTO ASSEMBLY SHORT

<u>PART #</u>				
<u>ITEM</u>	<u>QTY</u>	<u>1-3/8 21 SPLINE</u>	<u>OPT. 1-3/4 20 SPLINE</u>	<u>DESCRIPTION</u>
1	1	55862	8581	YOKE & SHAFT HALF ASSEMBLY W/ GUARD
2	1	55863	8582	YOKE & SHAFT HALF ASSEMBLY
3	1	55859	"	YOKE & TUBE HALF ASSEMBLY W/ GUARD
4	1	8580	"	YOKE & TUBE HALF ASSEMBLY
5	2	55858	"	CROSS & BEARING KIT (14E)
6	2	55861	"	GUARD REPAIR KIT
7	2	S225	"	SPRING LOCK REPAIR KIT
8	1	55864	"	OUTER GUARD
9	1	23N156	"	INNER GUARD
10	1	23N155	"	YOKE, TUBE AND SLIP SLEEVE
11	1	23N159	"	YOKE & SHAFT
12	1	37N73	55860	SPRING LOCK & YOKE ASSEMBLY
13	1	23N162	"	SPRING LOCK & YOKE ASSEMBLY
14	1	TFM98	TFM100	PTO (COMPLETE)

**FIGURE 37**  
**PTO ASSEMBLY LONG**

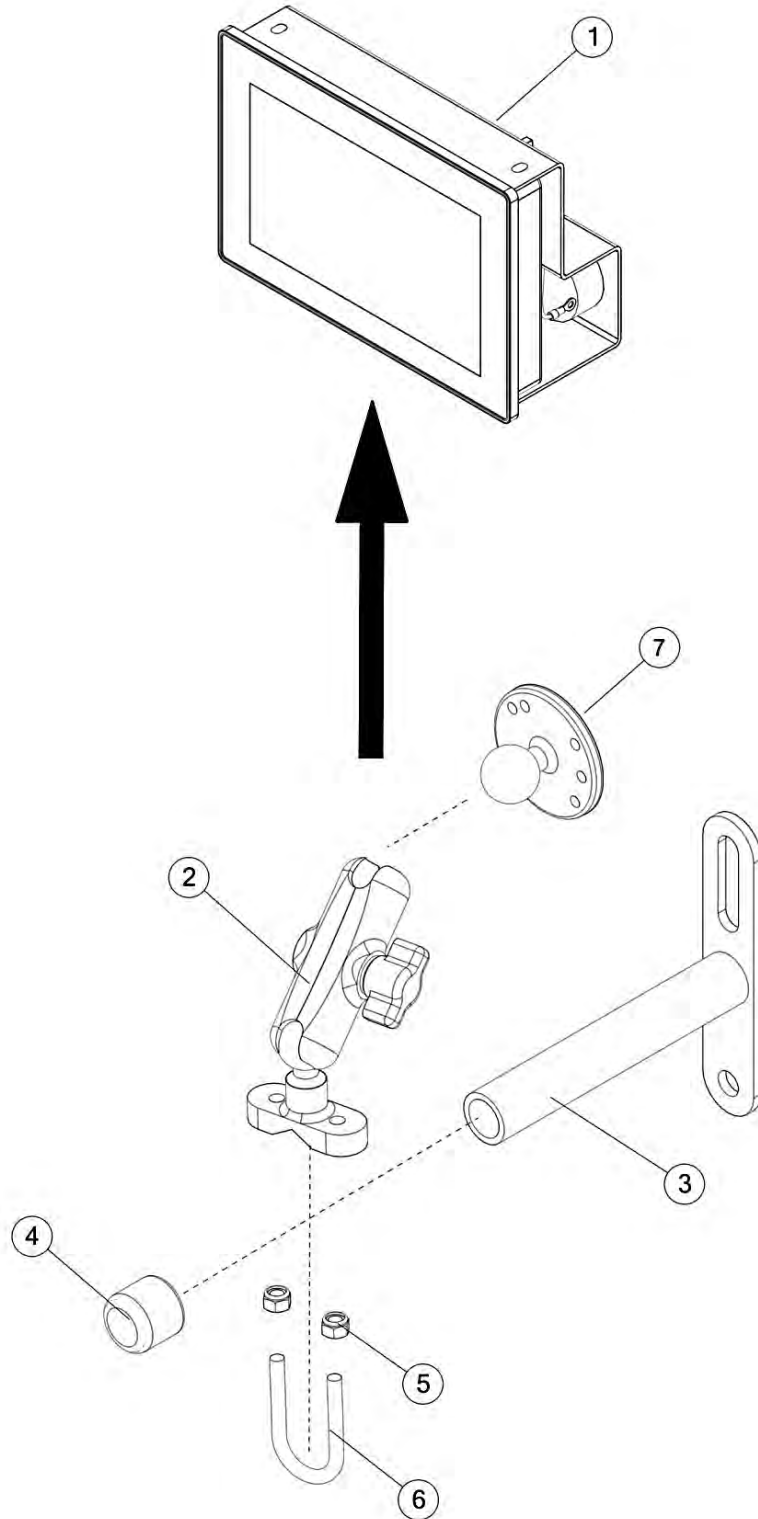


# FIGURE 37

## PTO ASSEMBLY LONG

		<u>PART #</u>		
<u>ITEM</u>	<u>QTY</u>	<u>1-3/8 21 SPLINE</u>	<u>OPT. 1-3/4 20 SPLINE</u>	<u>DESCRIPTION</u>
1	1	60097	60096	YOKE & SHAFT HALF ASSEMBLY W/ GUARD
2	1	60099	60098	YOKE & SHAFT HALF ASSEMBLY YOKE & TUBE HALF ASSEMBLY W/ GUARD
3	1	55859		YOKE & TUBE HALF ASSEMBLY
4	1	8580		CROSS & BEARING KIT (14E)
5	2	55858		NYLON REPAIR KIT
6	2	16SV181		SPRING LOCK REPAIR KIT
7	2	S225		OUTER GUARD
8	1	60100		INNER GUARD
9	1	23N156		YOKE, TUBE AND SLIP SLEEVE
10	1	23N155		YOKE & SHAFT
11	1	60095		SPRING LOCK & YOKE ASSEMBLY
12	1	37N73	55860	SPRING LOCK & YOKE ASSEMBLY
13	1	23N162		PTO (COMPLETE)
14	1	56338	56337	

**FIGURE 38**  
**CONTROL BOX**

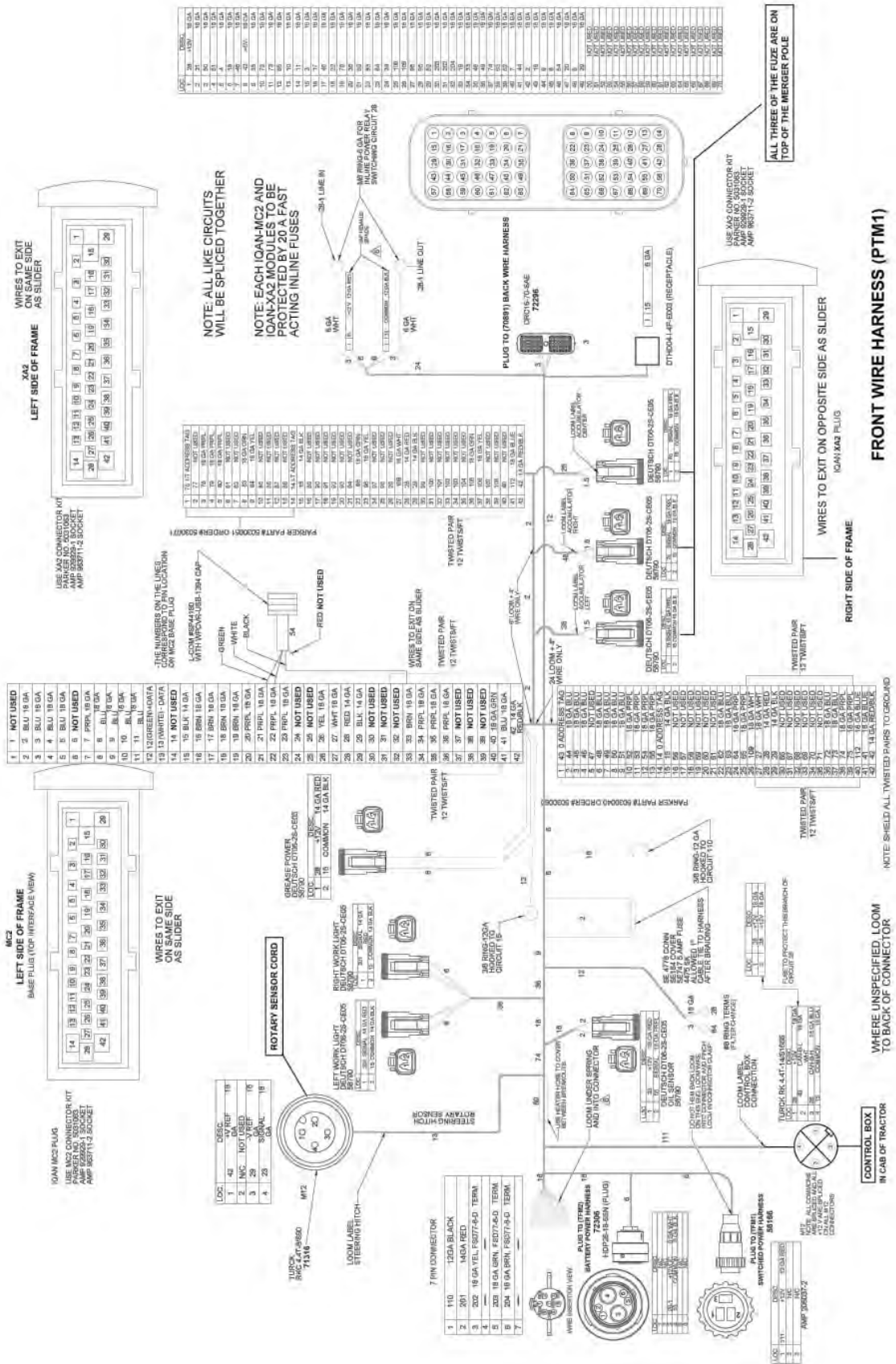


**FIGURE 38**  
**CONTROL BOX**

<b><u>ITEM</u></b>	<b><u>QTY</u></b>	<b><u>PART #</u></b>	<b><u>DESCRIPTION</u></b>
1	1	72153	PARKER IQAN MD4
2	1	TFM105	SWIVEL MOUNT ASSY
3	1	PTMWE66	CONTROL BOX BRACKET ASSY
4	1	TFM104	PLUG
5	2	YNNY08005	HEX NUT, NYLON LOCKNUT, 1/4-20
6	2	YBPU08003	1/4"-20 X 1/2" PIPE SIZE U- BOLT
7	1	71445	MOUNT, RAM,CTRL MODULE, TFM



# FIGURE 39 (PART 1 OF 2) FRONT WIRING HARNESS P/N: PTM1



# FIGURE 39 (PART 2 OF 2) FRONT WIRING HARNESS P/N: PTM1

## PTM1 CONNECTOR PIN DESIGNATIONS

XA2  
RIGHT SIDE OF FRAME

1	43	0 ADDRESS TAG
2	44	18 GA BLU
3	45	18 GA BLU
4	46	18 GA BLU
5	47	NOT USED
6	48	18 GA BLU
7	49	18 GA BLU
8	50	18 GA BLU
9	51	18 GA BLU
10	52	18 GA PRPL
11	53	18 GA PRPL
12	54	18 GA PRPL
13	55	18 GA PRPL
14	14	0 ADDRESS TAG
15	15	14 GA BLK
16	56	NOT USED
17	57	NOT USED
18	58	NOT USED
19	59	NOT USED
20	60	NOT USED
21	61	NOT USED
22	62	18 GA BLU
23	63	18 GA BLU
24	64	18 GA PRPL
25	65	18 GA PRPL
26	109	18 GA WHT
27	27	18 GA WHT
28	28	14 GA RED
29	29	14 GA BLK
30	66	NOT USED
31	67	NOT USED
32	68	NOT USED
33	69	NOT USED
34	70	NOT USED
35	71	NOT USED
36	72	18 GA BLU
37	73	18 GA BLU
38	74	18 GA PRPL
39	75	18 GA PRPL
40	112	18 GA BLUE
41	41	18 GA BLUE
42	42	14 GA RED/BLK

MC2  
LEFT SIDE FRAME

1	1	<b>NOT USED</b>
2	2	BLU 18 GA
3	3	BLU 18 GA
4	4	BLU 18 GA
5	5	BLU 18 GA
6	6	<b>NOT USED</b>
7	7	PRPL 18 GA
8	8	BLU 18 GA
9	9	BLU 18 GA
10	10	BLU 18 GA
11	11	BLU 18 GA
12	12	(GREEN)+DATA
13	13	(WHITE) - DATA
14	14	<b>NOT USED</b>
15	15	BLK 14 GA
16	16	BRN 18 GA
17	17	BRN 18 GA
18	18	BRN 18 GA
19	19	BRN 18 GA
20	20	PRPL 18 GA
21	21	PRPL 18 GA
22	22	PRPL 18 GA
23	23	PRPL 18 GA
24	24	<b>NOT USED</b>
25	25	<b>NOT USED</b>
26	26	YEL 18 GA
27	27	WHT 18 GA
28	28	RED 14 GA
29	29	BLK 14 GA
30	30	<b>NOT USED</b>
31	31	<b>NOT USED</b>
32	32	<b>NOT USED</b>
33	33	BRN 18 GA
34	34	PRPL 18 GA
35	35	PRPL 18 GA
36	36	PRPL 18 GA
37	37	<b>NOT USED</b>
38	38	<b>NOT USED</b>
39	39	<b>NOT USED</b>
40	40	18 GA GRN
41	41	BLU 18 GA
42	42	14 GA RED/BLK

XA2  
LEFT SIDE FRAME

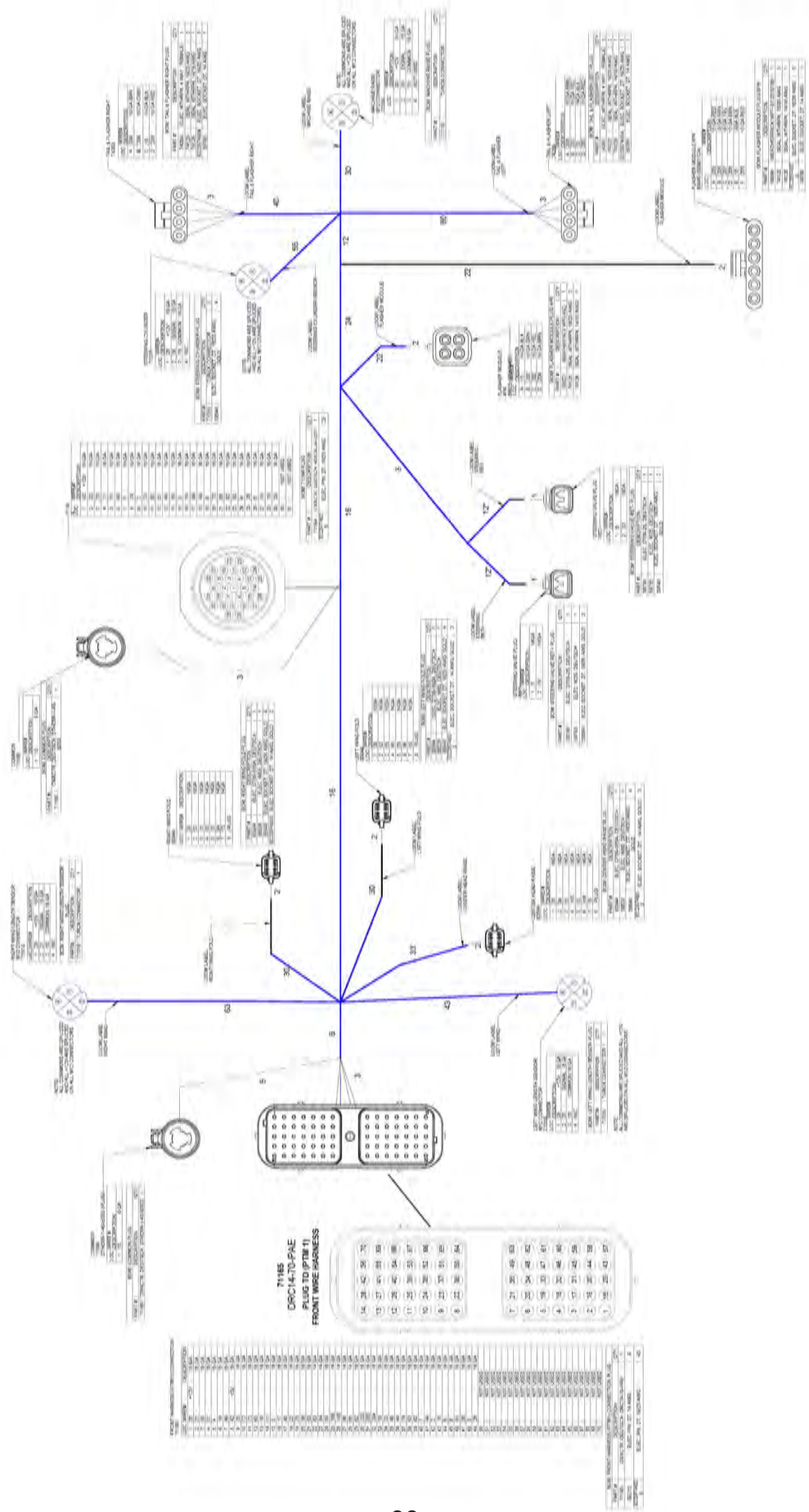
1	76	I-T ADDRESS TAG
2	77	NOT USED
3	78	18 GA PRPL
4	79	18 GA PRPL
5	80	18 GA PRPL
6	81	NOT USED
7	82	NOT USED
8	83	18 GA GRN
9	84	18 GA YEL
10	85	NOT USED
11	86	NOT USED
12	87	NOT USED
13	88	NOT USED
14	14	I-T ADDRESS TAG
15	15	14 GA BLK
16	89	NOT USED
17	90	NOT USED
18	91	NOT USED
19	92	NOT USED
20	93	NOT USED
21	94	NOT USED
22	95	18 GA GRN
23	96	18 GA YEL
24	97	NOT USED
25	98	NOT USED
26	26	NOT USED
27	109	18 GA WHT
28	28	14 GA RED
29	29	14 GA BLK
30	99	NOT USED
31	100	NOT USED
32	101	NOT USED
33	102	NOT USED
34	103	NOT USED
35	104	NOT USED
36	105	18 GA GRN
37	106	18 GA YEL
38	107	NOT USED
39	108	NOT USED
40	40	NOT USED
41	112	18 GA BLUE
42	42	14 GA RED/BLK

(70891)  
PLUG TO BACK WIRE HARNESS

LOC.	DESC.	
1	28	+12V 18 GA
2	21	18 GA
3	50	18 GA
4	51	18 GA
5	4	18 GA
6	18	18 GA
7	46	18 GA
8	42	+5V 18 GA
9	35	18 GA
10	72	18 GA
11	73	18 GA
12	65	18 GA
13	10	18 GA
14	11	18 GA
15	3	18 GA
16	17	18 GA
17	45	18 GA
18	22	18 GA
19	75	18 GA
20	36	18 GA
21	53	18 GA
22	83	18 GA
23	84	18 GA
24	34	18 GA
25	106	18 GA
26	105	18 GA
27	96	18 GA
28	95	18 GA
29	52	18 GA
30	203	18 GA
31	202	18 GA
32	204	18 GA
33	19	18 GA
34	33	18 GA
35	48	18 GA
36	49	18 GA
37	74	18 GA
38	63	18 GA
39	62	18 GA
40	7	18 GA
41	44	18 GA
42	2	18 GA
43	16	18 GA
44	9	18 GA
45	8	18 GA
46	54	18 GA
47	20	18 GA
48	5	18 GA
49	29	18 GA
50		NOT USED
51		NOT USED
52		NOT USED
53		NOT USED
54		NOT USED
55		NOT USED
56		NOT USED
57		NOT USED
58		NOT USED
59		NOT USED
60		NOT USED
61		NOT USED
62		NOT USED
63		NOT USED
64		NOT USED
65		NOT USED
66		NOT USED
67		NOT USED
68		NOT USED
69		NOT USED
70		NOT USED

# FIGURE 40

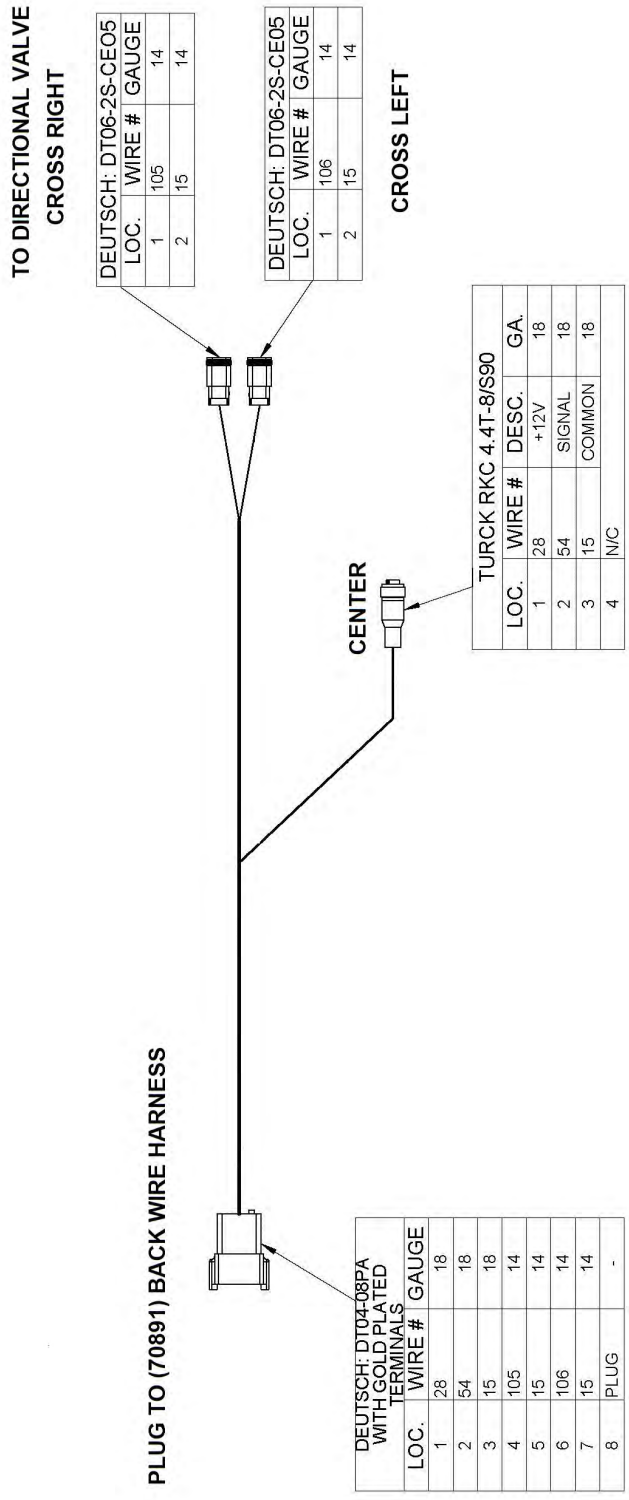
## REAR WIRING HARNESS P/N: 70891



# FIGURE 41

## CENTER HEAD HARNESS P/N:59486

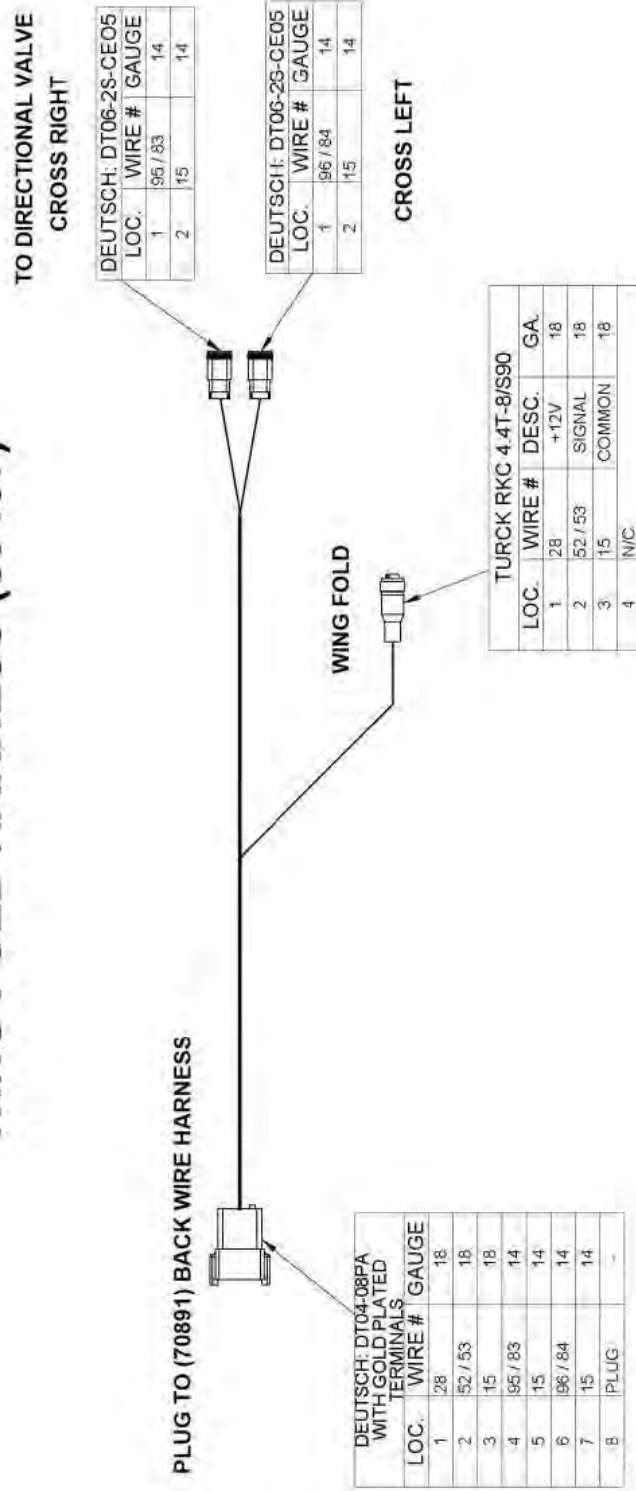
### CENTER HEAD HARNESS (59486)



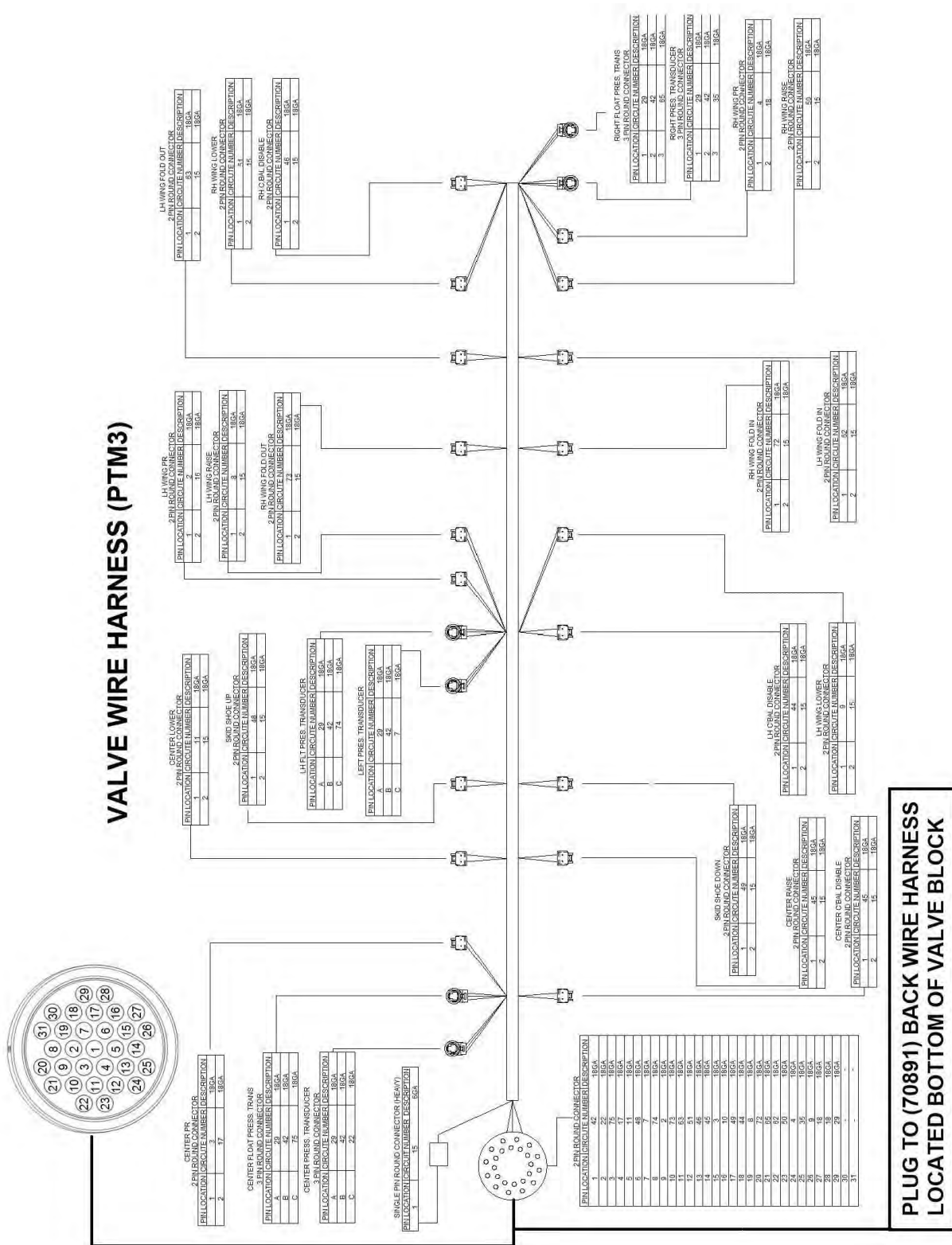
# FIGURE 42

## WING FOLD HARNESS P/N: 59487)

### WING FOLD HARNESS (59487)



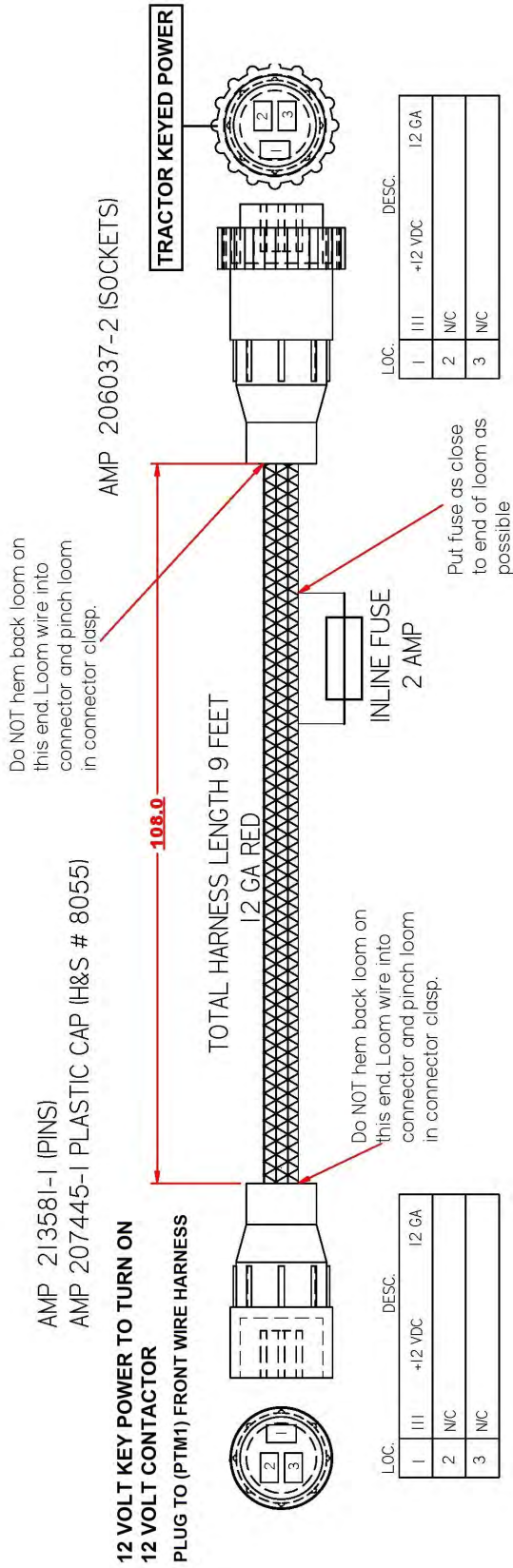
# FIGURE 43 VALVE WIRING HARNESS P/N: PTM3



**PLUG TO (70891) BACK WIRE HARNESS  
LOCATED BOTTOM OF VALVE BLOCK**

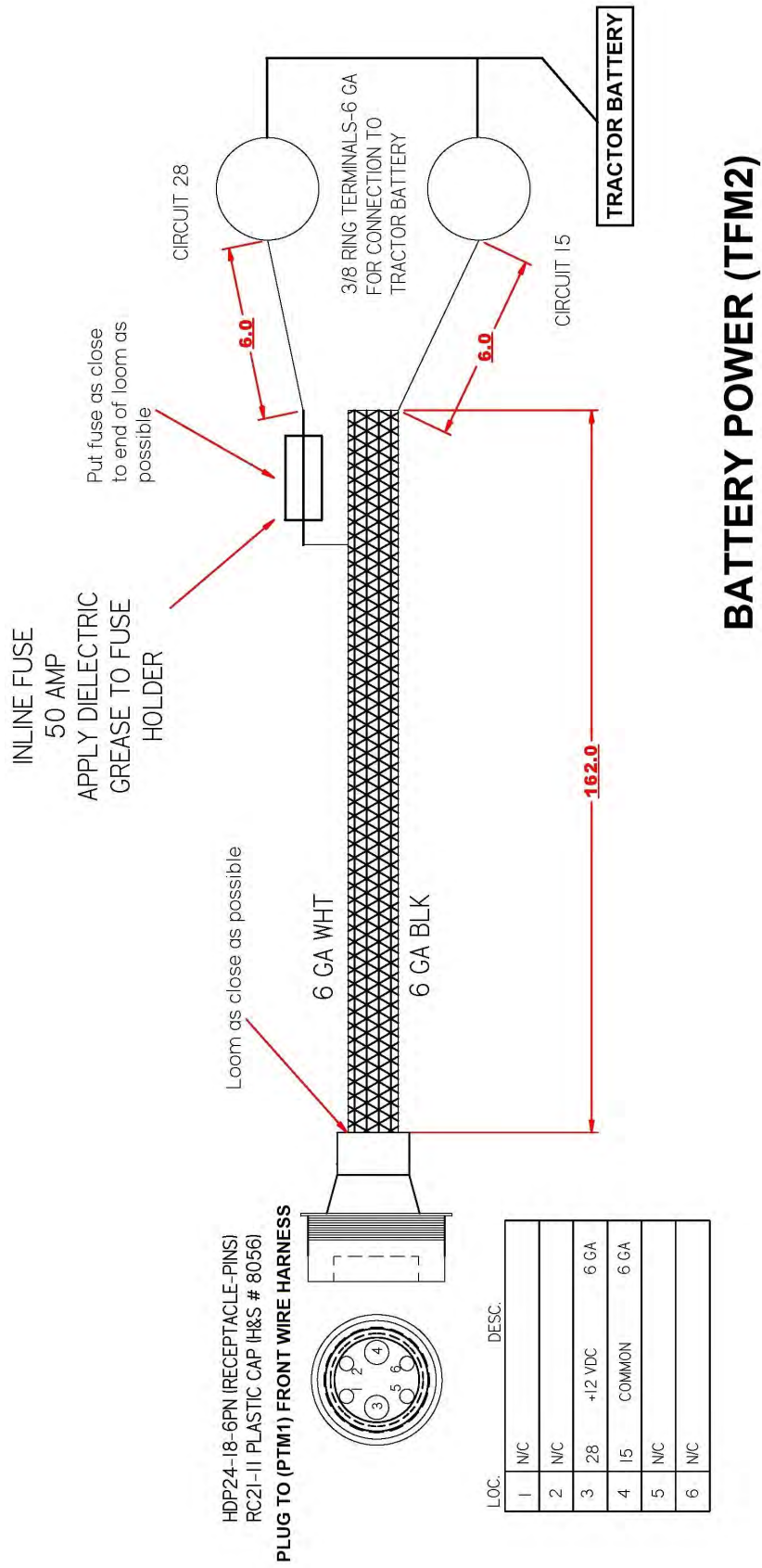
# FIGURE 44 RELAY WIRING HARNESS P/N: TFM1

## SWITCHED POWER HARNESS (TFM1)

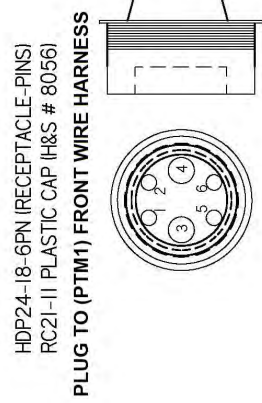


# FIGURE 45

## POWER SUPPLY WIRING HARNESS P/N:TFM2



### BATTERY POWER (TFM2)

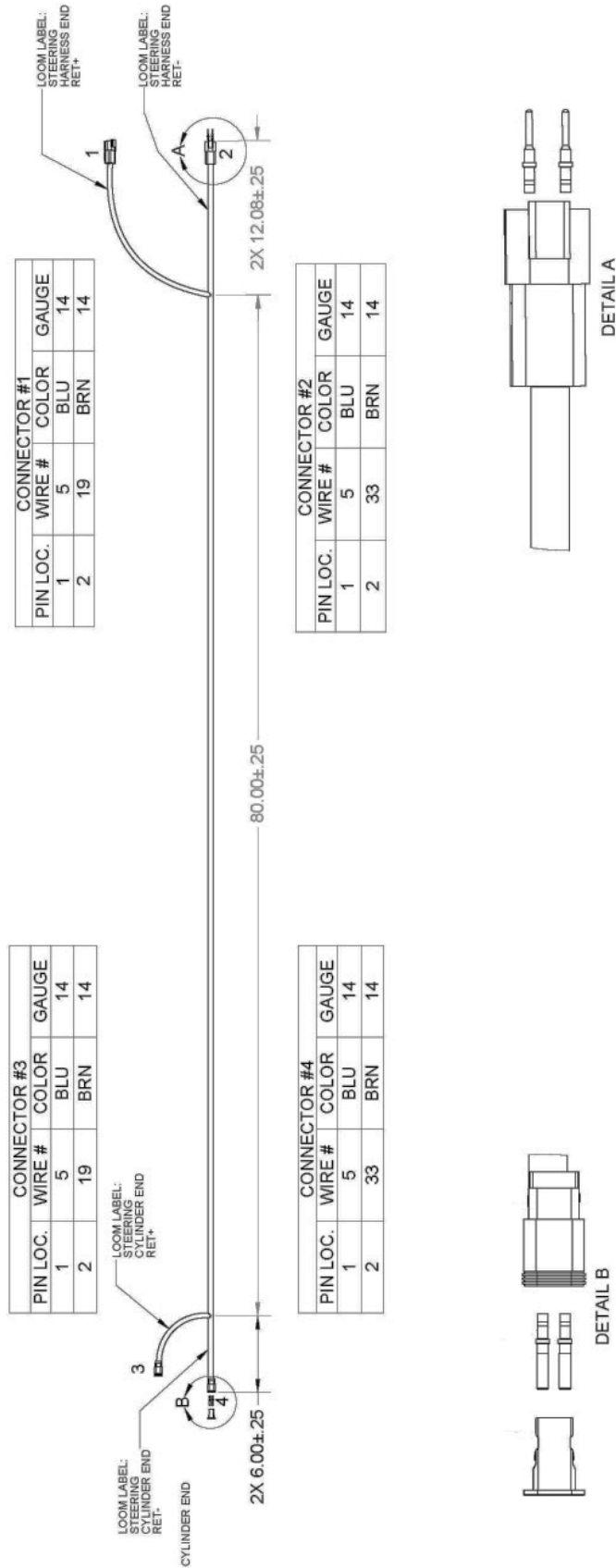


LOC.	DESC.
1	N/C
2	N/C
3	28 +12 VDC 6 GA
4	15 COMMON 6 GA
5	N/C
6	N/C

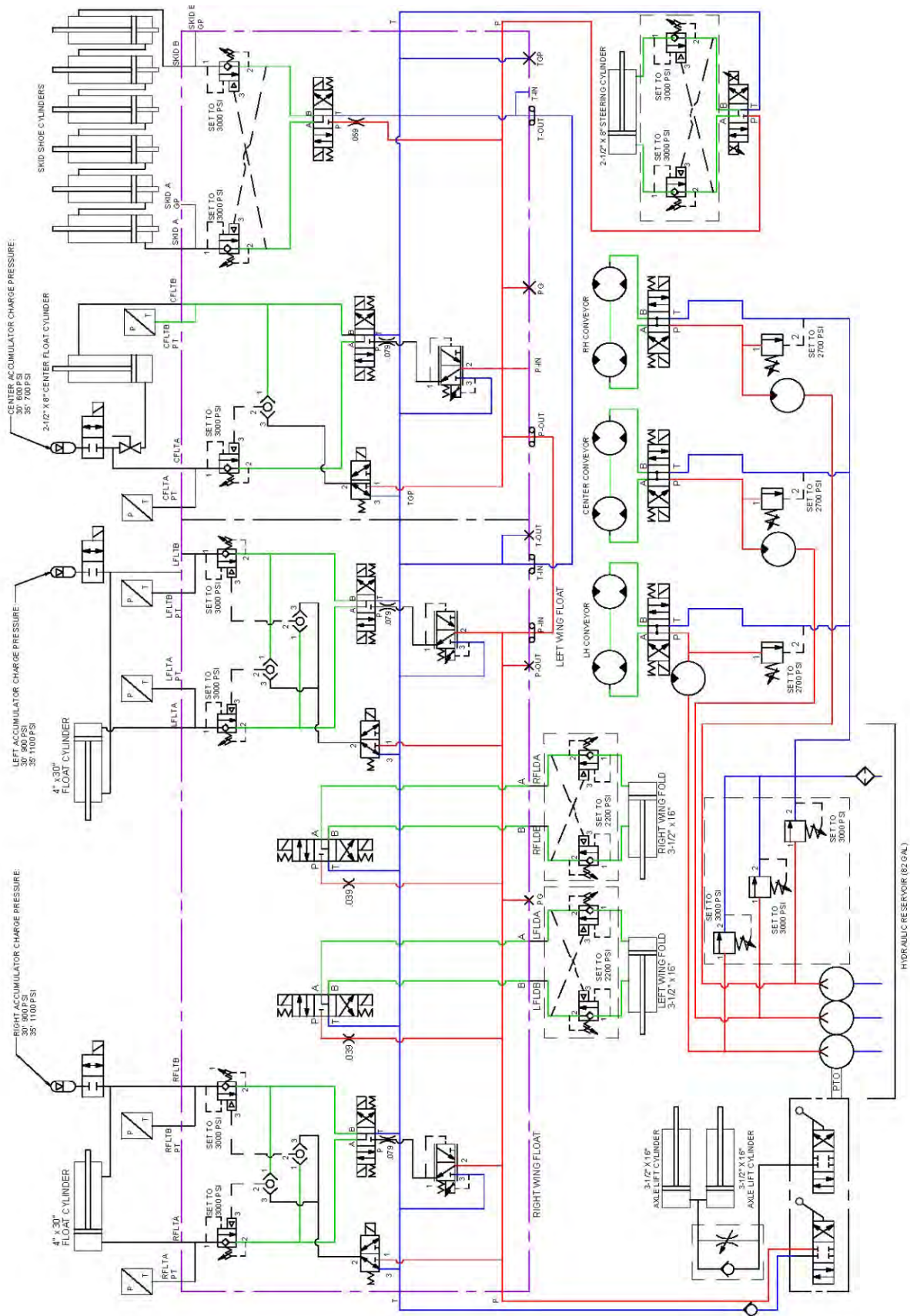


# FIGURE 45

## JUMPER HARNESS FOR STEERING VALVE P/N:75704

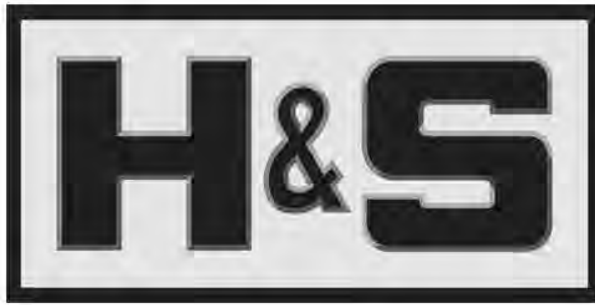


# FIGURE 46 HYDRAULIC SCHEMATIC









**H&S Manufacturing products are approved for the  
FEMA SEAL OF QUALITY**

**P.O. BOX 768, MARSHFIELD, WI 54449  
(715) 387-3414 FAX (715) 384-5463  
[www.hsmfgco.com](http://www.hsmfgco.com)**