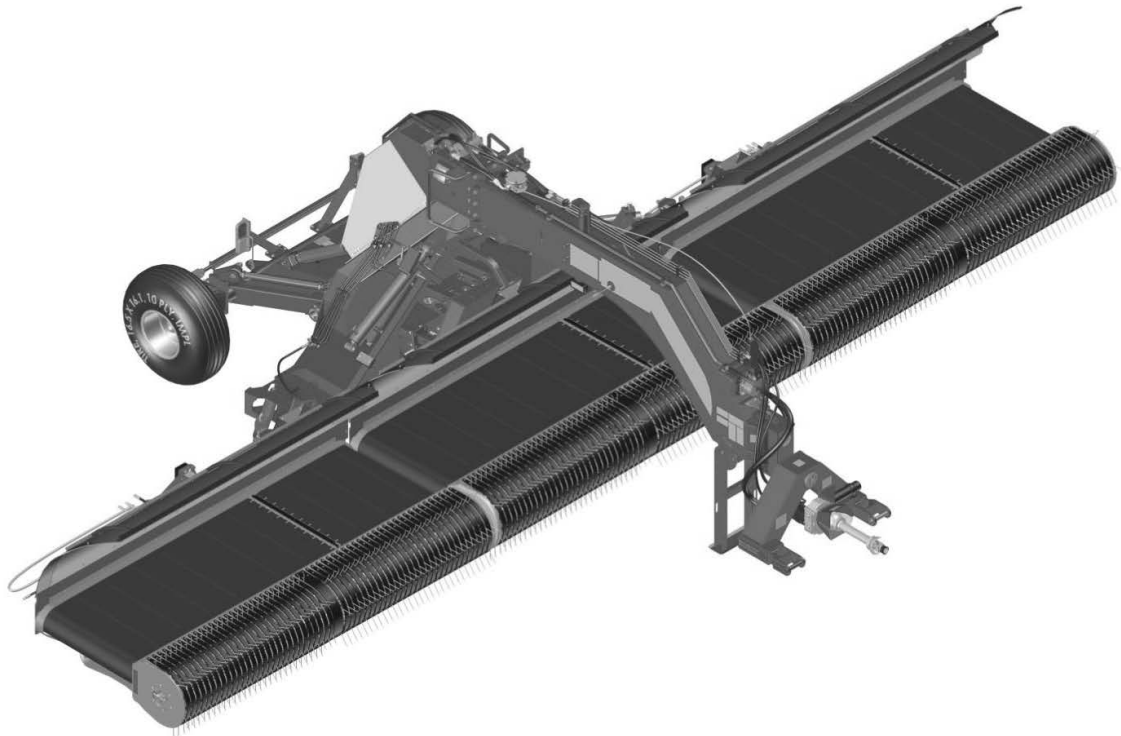


# **H&S PARTS BOOK**

## **TF6135**



Revision #01  
Starting Ser. 612175

Part #71766  
HSMFG1115

**P.O. BOX 768, MARSHFIELD, WI 54449**  
**(715) 387-3414 FAX (715) 384-5463**  
**[www.hsmfgco.com](http://www.hsmfgco.com)**

# CONTENTS

Instructions For Ordering Parts – About Improvements .....	1
Figure 1 - Hitch Assembly .....	2-3
Figure 2 - Speed Increaser Gearbox Assembly .....	4-5
Figure 3 - Hinge Pivot Assembly .....	6-7
Figure 4 - Quick Lock Post Assembly.....	8-9
Figure 5 - Front Pole & Components.....	10-11
Figure 6 - Front & Rear Assembly .....	12-13
Figure 7 - Shields & Hardware .....	14-15
Figure 8 - Axle Base Assembly .....	16-17
Figure 9 - Axle Assembly .....	18-19
Figure 10 - Tail Light Assembly.....	20-21
Figure 11 - Deflector Stop .....	22-23
Figure 12 - Center Head Lift.....	24-25
Figure 13 - Pivot Arm Assembly .....	26-27
Figure 14 - Pivot Assembly .....	28-29
Figure 15 - Poly Deflector Assembly .....	30-31
Figure 16 - Conveyor Belt Assembly .....	32-33
Figure 17 - Poly Guide Assembly .....	34-35
Figure 18 - Head Frame & Components .....	36-37
Figure 19 - End Section.....	38-39
Figure 20 - Driver Roller Assembly.....	40-41
Figure 21 - Tine Bar Assembly .....	42-43
Figure 22 - Drive Cam Assembly.....	44-45
Figure 23 - Gearbox Assembly.....	46-47
Figure 24 - Skid Shoe Linkage .....	48-49

Figure 25 - Head Height Dial .....	50-51
Figure 26 - Main Valve .....	52-53
Figure 27 - Hydraulics .....	54-55
Figure 28 - Right Side Hydraulic Tubes Lines & Components .....	56-57
Figure 29 - Left Side Hydraulic Tubes Lines & Components.....	58-59
Figure 30 - Pickup Hydraulics .....	60-61
Figure 31 - Accumulators & Grease System .....	62-63
Figure 32 - PTO Assembly (Short).....	64-65
Figure 33 - PTO Assembly (Long).....	66-67
Figure 34 - Control Box .....	68-69
Figure 35 - Front Wiring Harness (Part 1 of 2).....	70-71
Figure 36 - Rear Wiring Harness.....	72
Figure 37 - Center Head Harness .....	73
Figure 38 - Wing Fold Harness .....	74
Figure 39 - Valve Wiring Harness .....	75
Figure 40 - Relay Wiring Harness .....	76
Figure 41 - Power Supply Wiring Harness .....	77
Figure 42 - Hydraulic Schematic .....	78
Notes.....	79

## **INSTRUCTIONS FOR ORDERING PARTS**

All service parts should be ordered through your authorized H&S dealer. They will be able to give you faster service if you will provide them with the following

1. Model & Serial number is located on the left, rear main frame of your unit.
2. All reference to left or right apply to the machine as viewed from the rear.
3. Parts should not be ordered from illustration only. Please order by complete part number.
4. If your dealer has to order parts - give shipping instructions:

VIA truck - large pieces (please specify local truck lines)

VIA United Parcel Service (include full address)

<b>H&amp;S MFG. CO. INC.</b>	
MARSHFIELD, WIS.	
MOD. NO.	<input type="text"/>
SER. NO.	<input type="text"/>
DESCR.	<input type="text"/>

PLEASE RECORD NUMBERS FOR YOUR UNIT FOR QUICK REFERENCE

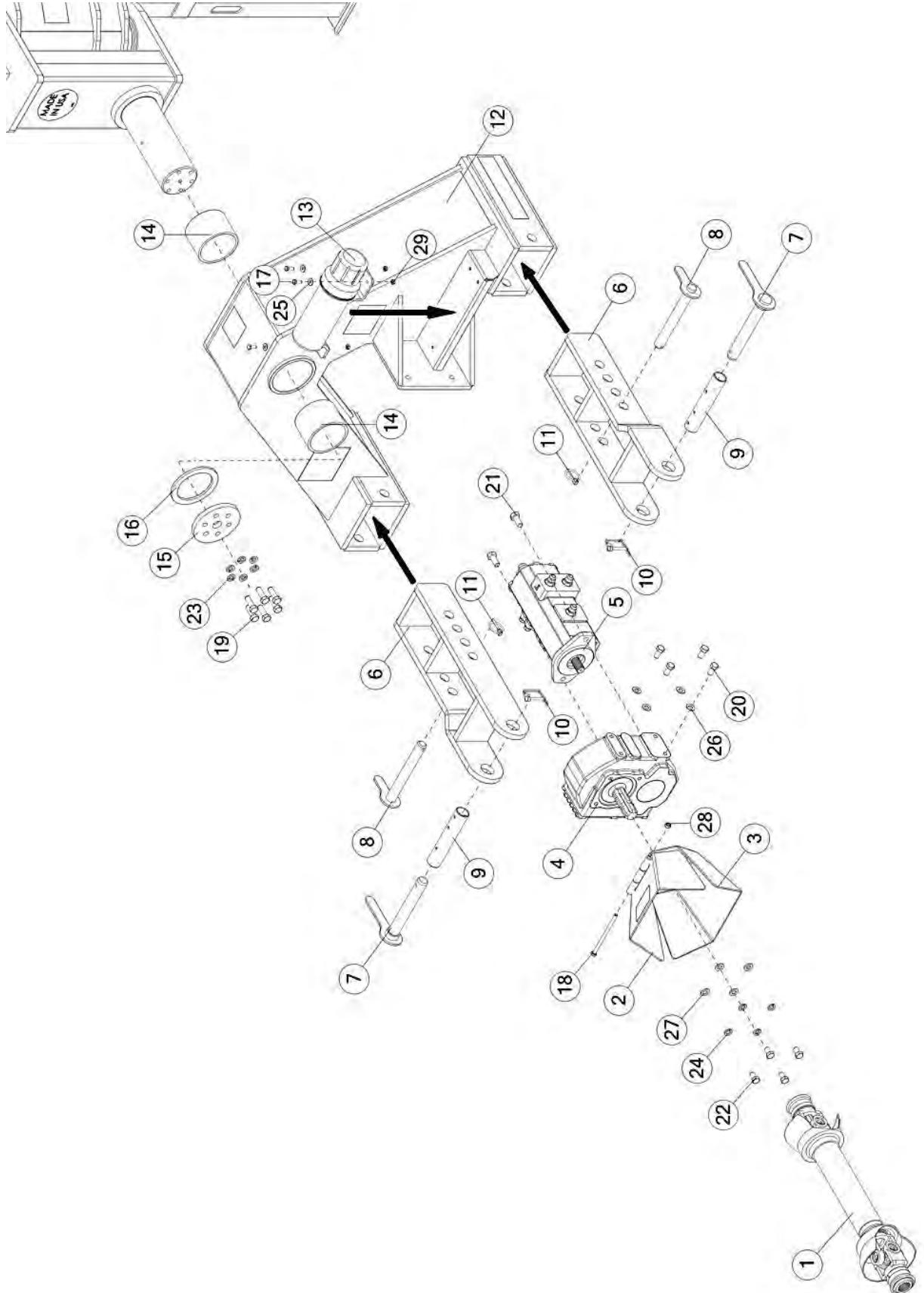
### **ABOUT IMPROVEMENTS**

H&S IS CONTINUALLY STRIVING TO IMPROVE IT'S PRODUCTS

We must therefore, reserve the right to make improvements or changes whenever it becomes practical to do so without incurring any obligation to make changes or additions to the equipment previously sold.

# FIGURE 1

## HITCH ASSEMBLY



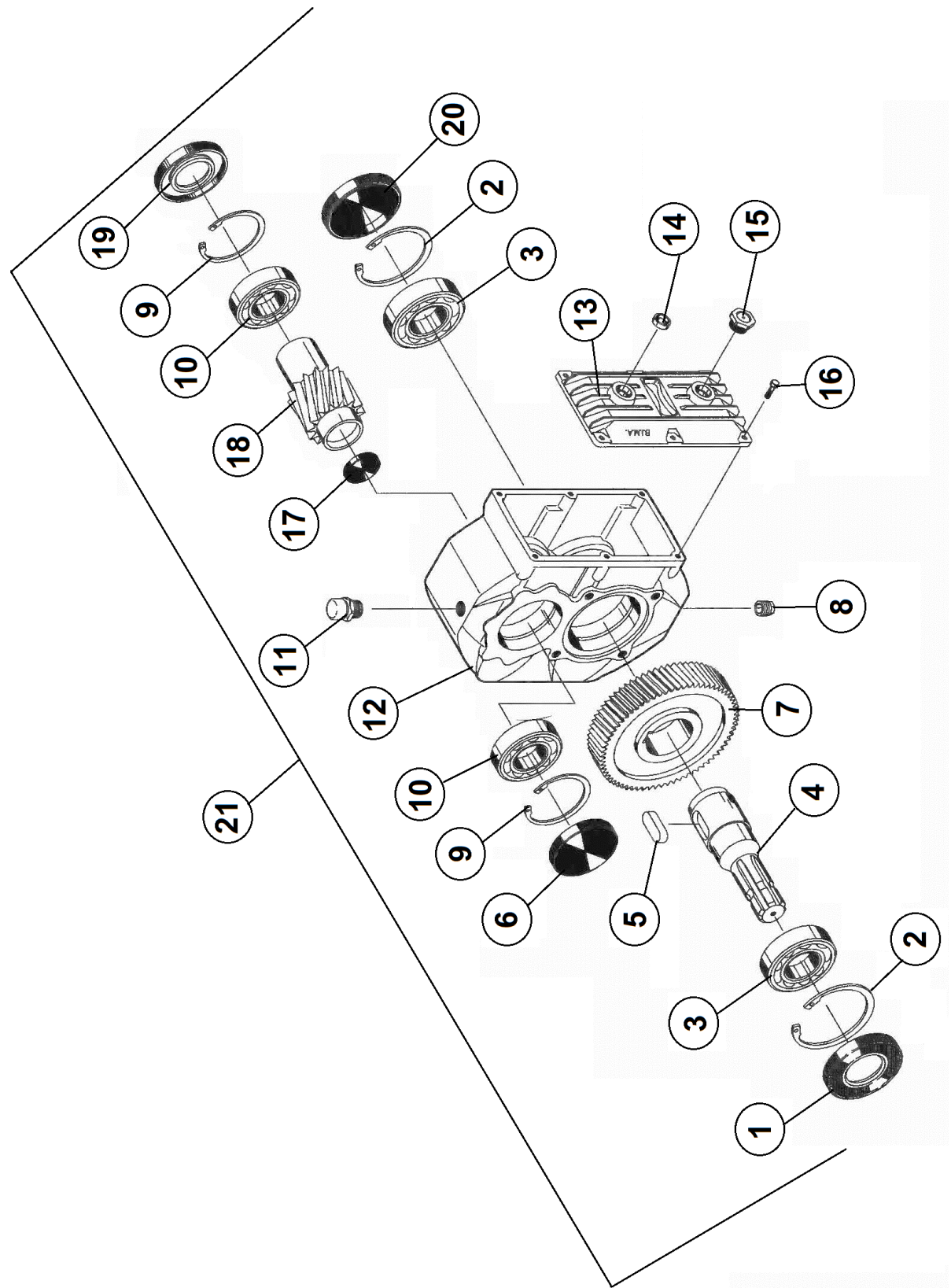
# **FIGURE 1**

## **HITCH ASSEMBLY**

<b><u>ITEM</u></b>	<b><u>QTY</u></b>	<b><u>PART #</u></b>	<b><u>DESCRIPTION</u></b>
1	1	TFM98	1-3/8 1000 RPM PTO,STANDARD
*	1	TFM100	1-3/4"-20 SPLINE PTO
*	1	56337	PTO, 1-3/4-20
*	1	56338	PTO, 1-3/8-21
2	1	PTMWE97	TOP PTO SHIELD
3	1	PTMWE96	BOTTOM PTO SHIELD
4	1	TFM15	SPEED INCREASER GEARBOX
5	1	PTMAS10	PREMCO TRIPPLE PUMP
*	1	8247	SEAL KIT
6	2	SHM4WE05	HITCH OFFSET
7	2	PTMWE65	HITCH PIN
8	2	PTMWE16	HITCH ADJUSTMENT PIN
9	2	PTMTU56	ADAPTER TUBE
10	2	DWM324	LYNCH PIN
11	2	YPLY06010	LYNCH PIN, 3/16 X 1-9/16
12	1	SHM4WE01	POLE HITCH
13	1	S522	MANUAL HOLDER
14	2	16SV75	BUSHING
15	1	SHM2HF104	HITCH PIVOT END CAP
16	1	SHM2MS29	HITCH THRUST WASHER
17	3	YBHH08095	BOLT, 1/4-20 X 3/4 GR 2
18	1	YBHH10133	5/16-18 X 5-1/2 HEX CAP SCREW ZNC
19	6	YBHH16030	BOLT, 1/2 X 1-1/2 GR 5
20	4	YBHH78020	BOLT, M12-1.75 X 25
21	2	YBHH80015	HEX BOLT M14-2 X 30 MM 8.8 GR ZINC
22	4	YBHH8010	BOLT, M12-1.75 X 20
23	6	YWLO16005	WASHER, LOCK, 1/2
24	4	YWLO78015	WASHER, LOCK, M12
25	3	YWFL08005	WASHER, FLAT, 1/4 USS
26	4	YWFL14010	WASHER, FLAT, 7/16" SAE GR. 8
27	4	YWFL780020	WASHER, FLAT, M12
28	1	YNNY10005	HEX NUT, NYLON LOCKNUT, 5/16-18
29	3	YNRL08005	HEX NUT, REVERSIBLE-SIDE LOCK, 1/4-20

**\* MEANS NOT SHOWN**

# FIGURE 2 SPEED INCREASER GEARBOX ASSEMBLY



## FIGURE 2

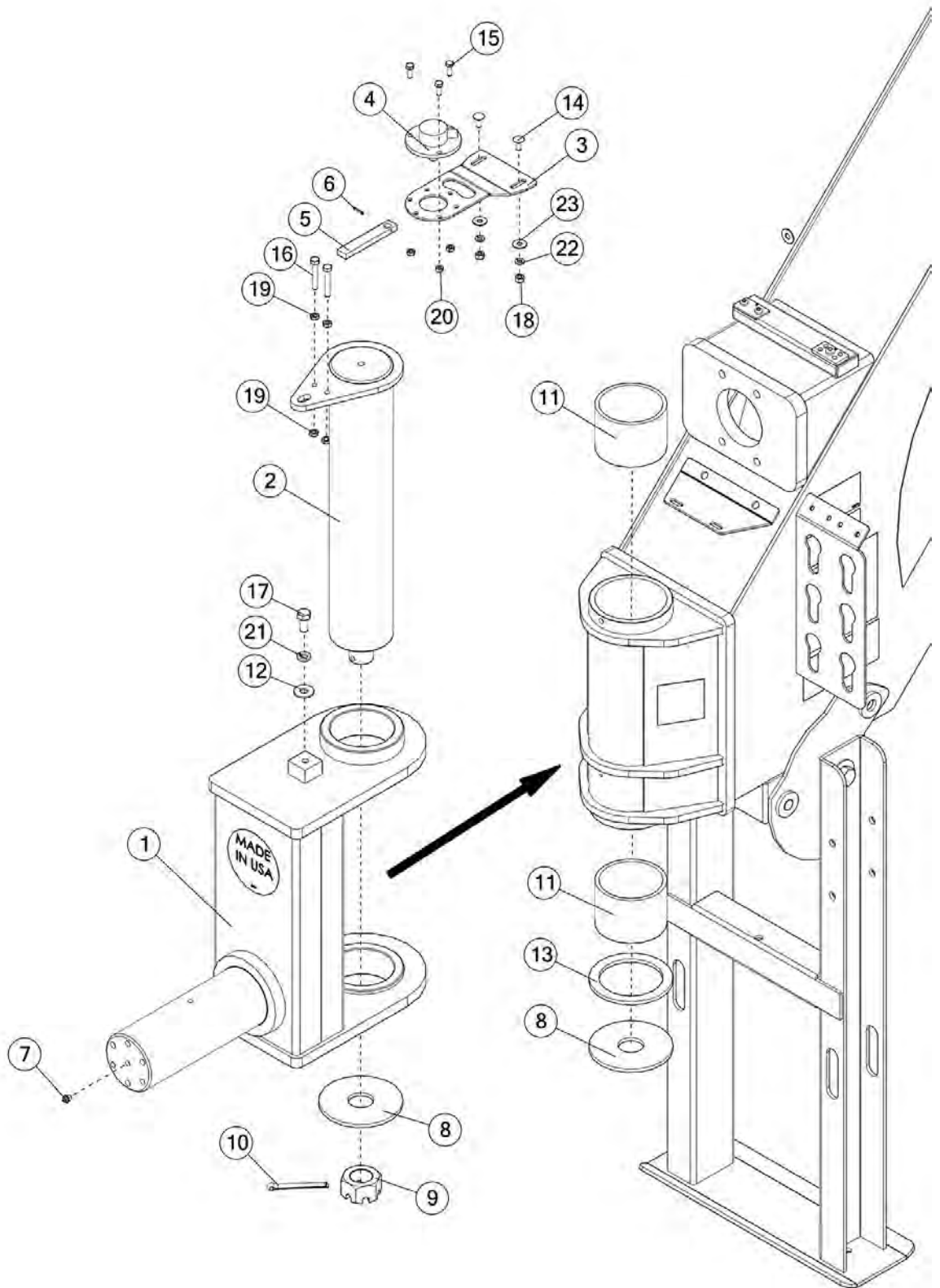
### SPEED INCREASER GEARBOX ASSEMBLY

<u>ITEM</u>	<u>QTY</u>	<u>PART #</u>	<u>DESCRIPTION</u>
1	1	8520	OIL SEAL, 50mm X90mm X 10mm
2	2	8521	SNAP RING, 90mm
3	2	8522	BEARING
4	1	8523	DRIVE SHAFT
5	1	8524	KEY, 16 mm X 10 mm X 40 mm
6	1	8525	PLUG
7	1	8526	DRIVER GEAR
8	1	8527	DRAIN PLUG, 3/8"NPTF
9	2	8528	SNAP RING, 80 mm
10	2	8529	BEARING
11	1	8530	VENT PLUG, 3/8" NPTF
12	1	8531	HOUSING
13	1	8532	COVER
14	1	8533	PLUG
15	1	8534	SIGHT GAGE, 1/2" NPTF
16	6	8535	SCREW, M6 X 16 UNI 5739
17	1	8536	PLUG
18	1	8537	DRIVEN GEAR
19	1	8538	OIL SEAL, 35mm X 80mm X 10mm
20	1	8539	PLUG
21	1	TFM15	SPEED INCREASER (COMPLETE)

**A/R MEANS AS REQUIRED**



**FIGURE 3**  
**HINGE PIVOT ASSEMBLY**

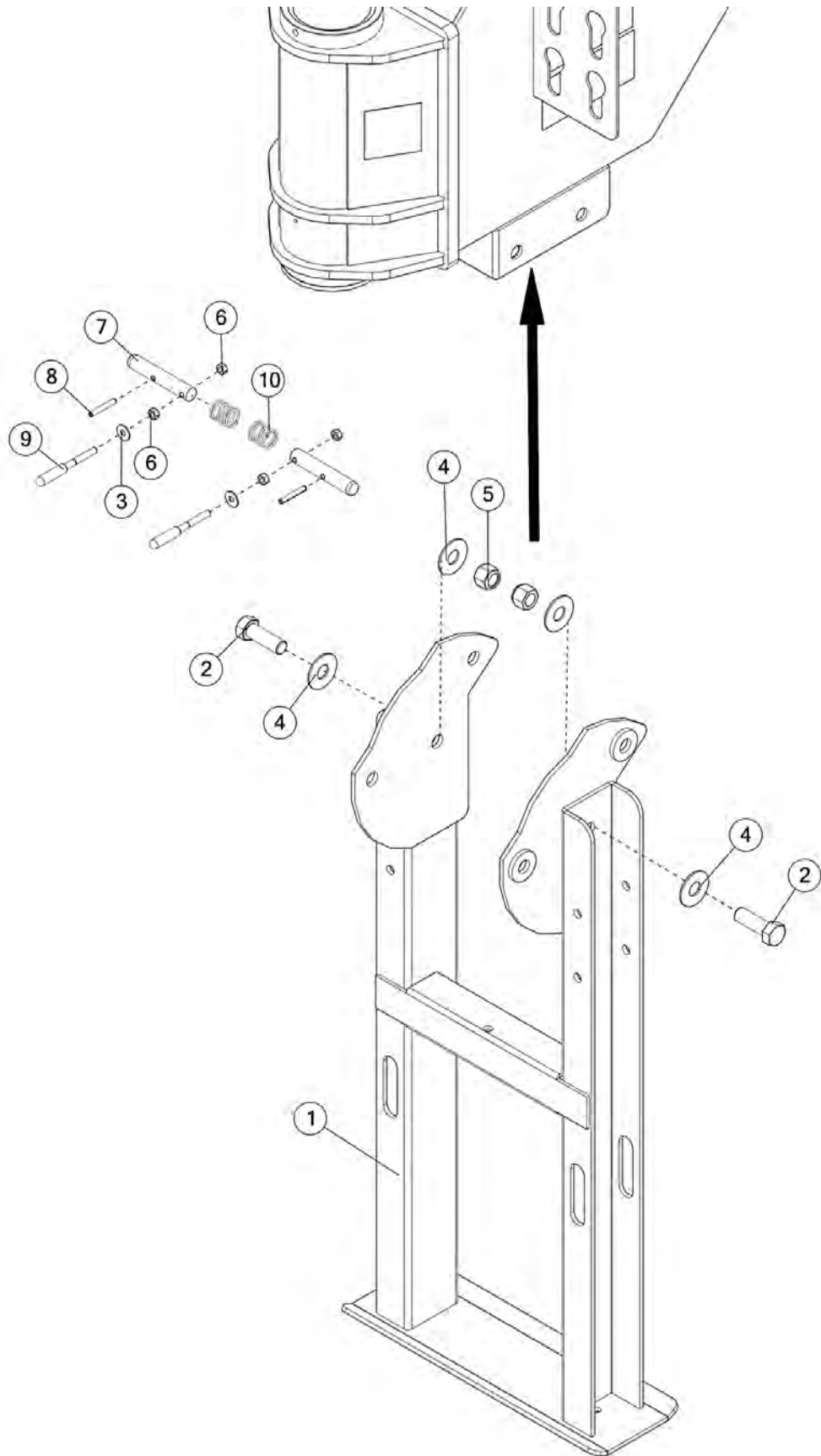


## FIGURE 3

### HINGE PIVOT ASSEMBLY

<u>ITEM</u>	<u>QTY</u>	<u>PART #</u>	<u>DESCRIPTION</u>
1	1	SHM2WE170	HITCH HINGE
2	1	71330	WLDMT, TFM 35' KINGPIN
3	1	71047	BKRT, STR POT MOUNT
4	1	TFM12	350 ROTARY SENSOR
5	1	PTMHF110	ROTARY SENSOR LEG
6	1	YPSP05005	SPRING PIN, 5/32 X 3/4
7	1	BFR28	1/8" NPT GREASE ZERK
8	2	SHM23G114	PIVOT RETAINING WASHER
9	1	YNSL40005	HEX NUT, SLOTTED, 1-1/2"-12
10	1	YPCT10010	COTTER PIN, 5/16 X 3
11	2	16SV75	BUSHING
12	1	YWFL16005	WASHER, FLAT, 1/2 USS
13	1	SHM2MS29	HITCH THRUST WASHER
14	2	YBCR10030	CARR. BOLT, 5/16 X 3/4 GR 5
15	3	YBHH08095	BOLT, 1/4 X 3/4 GR 2
16	2	YBHH10070	BOLT, 5/16 X 2 GR 5
17	1	YBHH16010	BOLT, 1/2 X 1 GR 5
18	2	YNHX10005	HEX NUT, 5/16 GR 2
19	2	YNJM10005	HEX NUT, JAM, 5/16
20	3	YNRL08005	HEX NUT, REVERSIBLE-SIDE LOCK, 1/4-20
21	1	YWLO16005	WASHER, LOCK, 1/2
22	2	YWLO10005	WASHER, LOCK, 5/16
23	2	YWFL10005	WASHER, FLAT, 5/16 USS

**FIGURE 4**  
**QUICK LOCK POST ASSEMBLY**

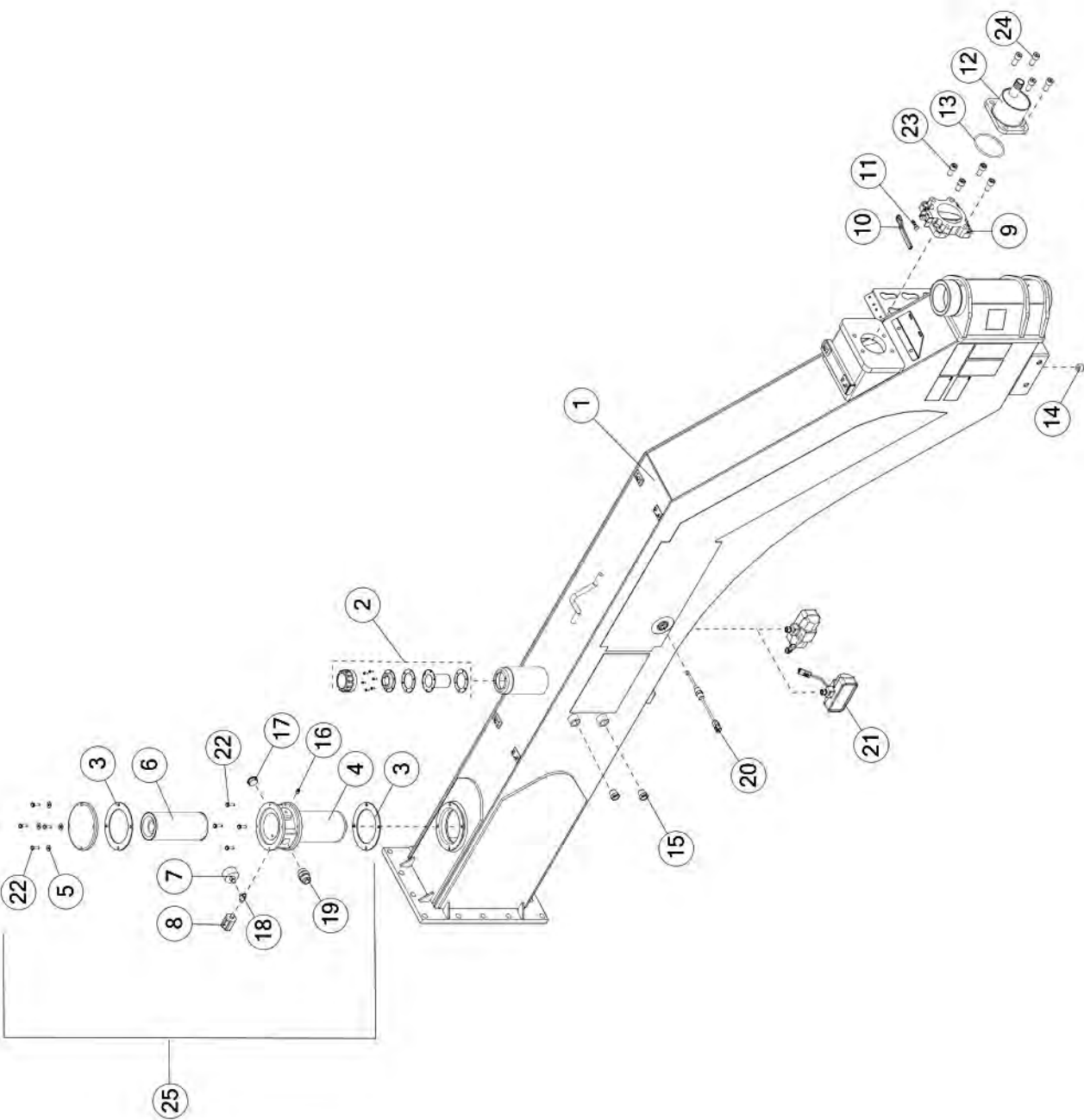


## **FIGURE 4**

### **QUICK LOCK POST ASSEMBLY**

<b><u>ITEM</u></b>	<b><u>QTY</u></b>	<b><u>PART #</u></b>	<b><u>DESCRIPTION</u></b>
1	1	PTMWE51	QUICK LOCK POST ASSM
2	2	YBHH24035	BOLT, 3/4 X 2-1/4 GR 5
3	2	YWFL10005	WASHER, FLAT, 5/16 USS
4	2	YWFL24005	WASHER, FLAT, 3/4 USS
5	2	YNNY24005	HEX NUT, NYLON LOCKNUT, 3/4
6	2	YNRL10005	HEX NUT, REVERSIBLE-SIDE LOCK, 5/16-18
7	2	PTMSH08	QUICK LOCK PIN
8	2	YPEX08015	EXPANSION PIN, 1/4 X 1 3/4
9	2	PTMSH47	GRIP PIN
10	2	BFR240	SPRING

**FIGURE 5**  
**FRONT POLE & COMPONENTS**

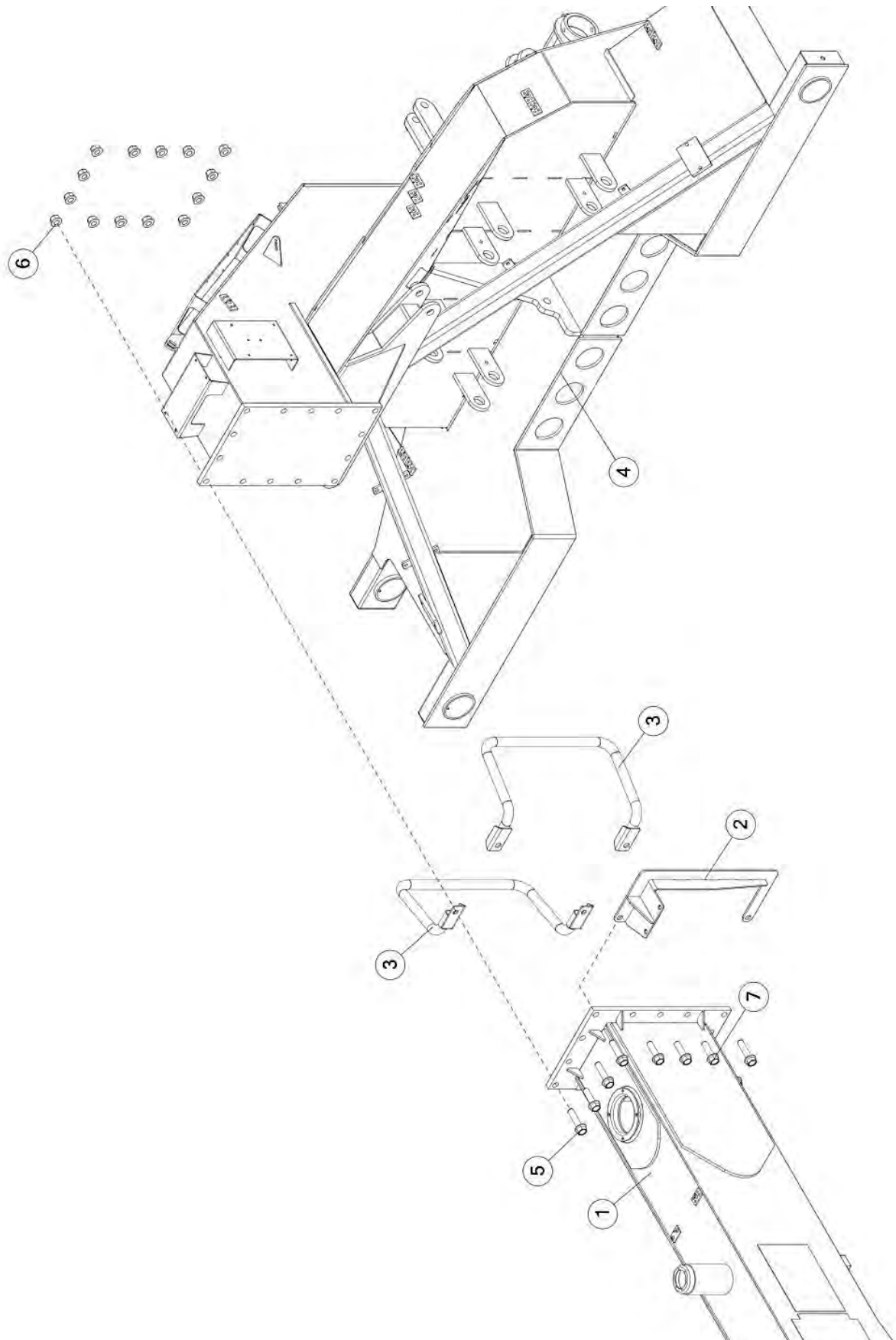


## FIGURE 5

### FRONT POLE & COMPONENTS

<u>ITEM</u>	<u>QTY</u>	<u>PART #</u>	<u>DESCRIPTION</u>
1	1	PTMWE36	RESERVOIR
2	1	DWM81	FILLER STRAINER
3	2	8036	FILTER GASKET
4	1	8037	FILTER HOUSING
5	4	YWFL10005	WASHER, FLAT, 5/16 USS
6	1	TFM21	FILTER ELEMENT
7	1	TFM25	FILTER GAGE
8	1	TFM26	PRESSURE SWITCH
9	1	TFM10	BUTTERFLY VALVE
10	1	58761	HAND LEVER, BUTTERFLY VALVE,
11	1	58763	LOCK PIN, BUTTERFLY VALVE,
12	1	SHM2WE169	SUCTION MANIFOLD
13	1	TFM11	O-RING, 4"
14	1	53453	HEX PIPE PLUG, 3/4" NPTF, MAGNETIC
15	2	56561	3/4 NPTF SIGHT GLASS
16	1	57221	1/8" SQ. HEAD PIPE PLUG
17	1	SD269	HOLLOW HEX PLUG
18	1	TFM22	MALE RUN TEE
19	1	TFM23	STRAIGHT THREAD CONNECTOR
20	1	55975	LOW OIL SENSOR ASSM
21	2	DWM130	FLOODLIGHT - WORKING LIGHT
-	2	55974	CONNECTOR, 2 PIN
22	4	YBHH10010	BOLT, 5/16-18 X 1 GR 5
23	4	YSHS20010	SOCKET HEAD CAP SCREW, 5/8"-11 X 1-1/4
24	4	YSHS82005	M16 X 2.0 X 35MM, GR 12.9, ZINC
25	1	PTMAS14	FILTER HOUSING ASSM

**FIGURE 6**  
**FRONT & REAR ASSEMBLY**



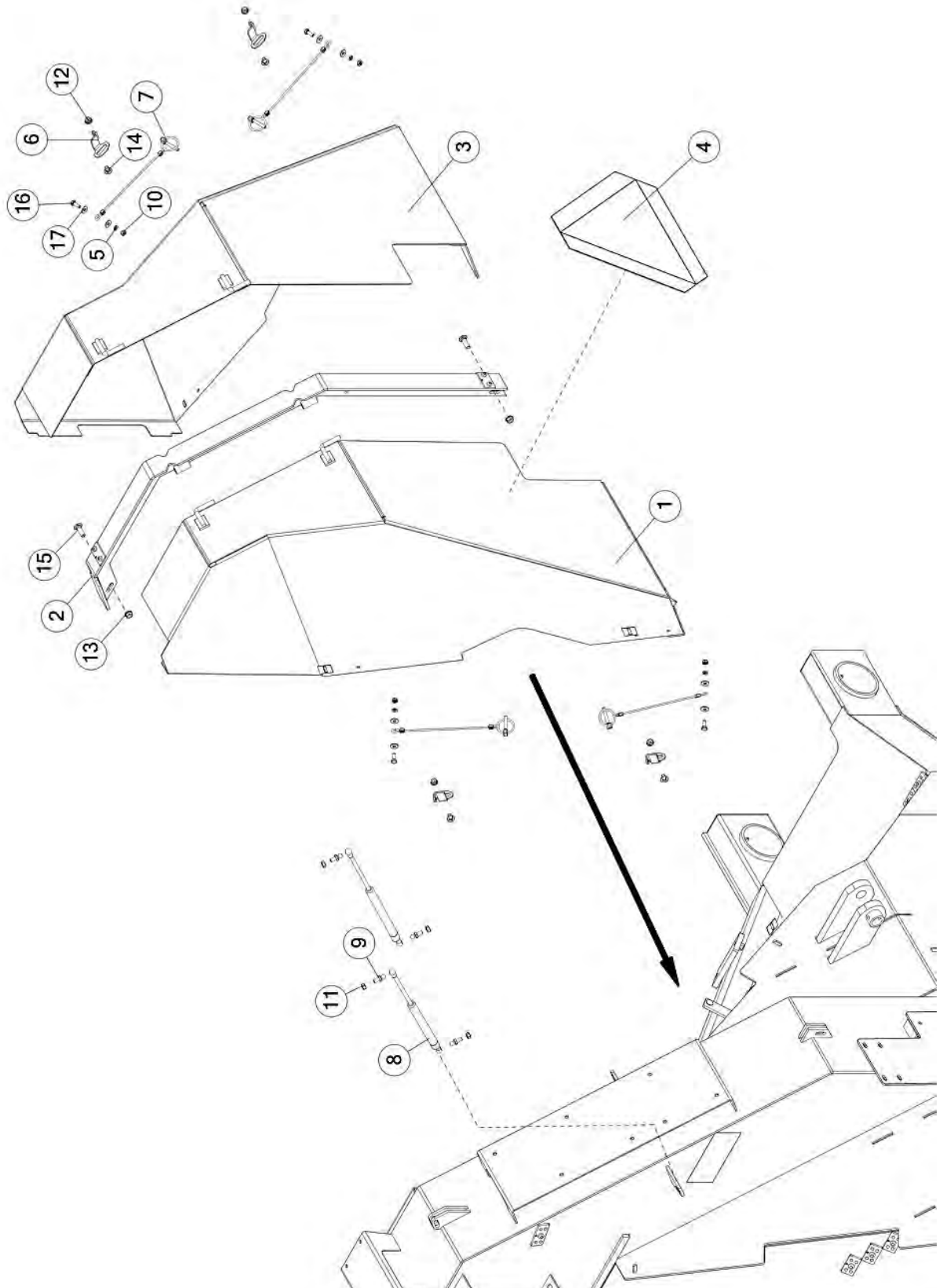
## **FIGURE 6**

### **FRONT & REAR ASSEMBLY**

<b><u>ITEM</u></b>	<b><u>QTY</u></b>	<b><u>PART #</u></b>	<b><u>DESCRIPTION</u></b>
1	1	PTMWE36	RESERVOIR
2	1	59500	BRACKET, FILTER MOUNT
3	2	PTMWE95	DEFLECTOR BUMPER
4	1	PTMWE10	FRAME ASSM
5	4	YBFB24025	BOLT, FLANGE, HEX, 3/4"-10 X 3-1/4" GR 8
6	10	YNFG24006	HEX NUT, FLANGED-LOCK, TOPLOCK GR. G- 3/4-10
7	10	YBFB24010	BOLT, FLANGE, 3/4-10 X 2.750 GR8



# FIGURE 7 SHIELDS & HARDWARE



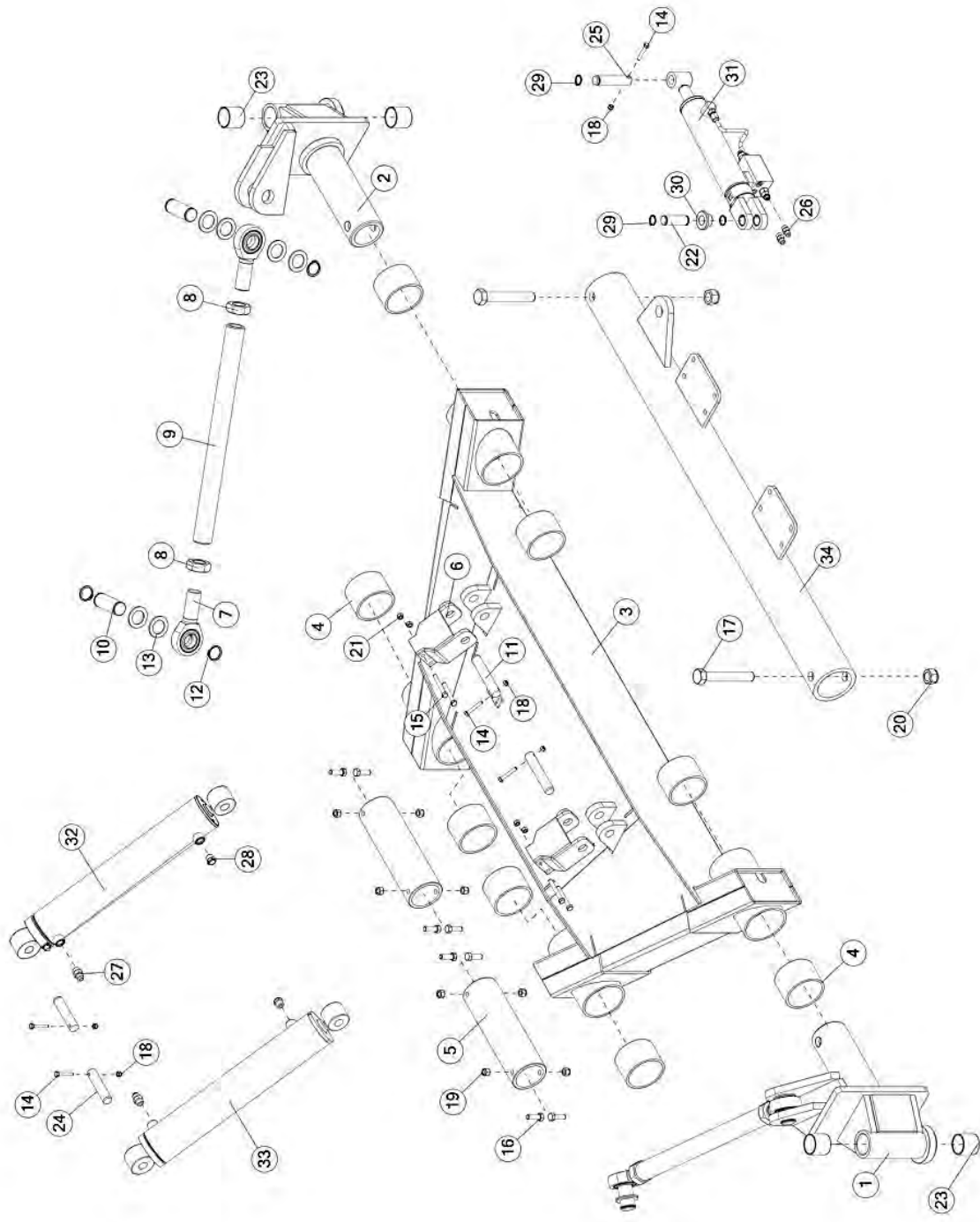
## FIGURE 7

### SHIELDS & HARDWARE

<u>ITEM</u>	<u>QTY</u>	<u>PART #</u>	<u>DESCRIPTION</u>
1	1	PTMWE54	SHIELD, LEFT
2	1	PTMWE61	SHIELD HING ASSM
3	1	PTMWE55	SHIELD, RIGHT
4	1	TFM97	SMV - DECAL
5	4	YWLO08005	WASHER, LOCK, 1/4
6	4	PTM10G48	SHEILD CLIP
7	4	S122	LANYARD, CLIP PIN CABLE
8	2	PTMAS38	GAS SPRING WITH SOCKETS
9	2	TFM78	BALL STUD
10	4	YNHX08005	HEX NUT, 1/4
11	4	YNHX10010	HEX NUT, 5/16-18 GR 5
12	4	YNSF10005	HEX NUT, SERRATED FLANGE, 5/16"-18
13	2	YNSF12005	HEX NUT, SERRATED FLANGE, 3/8"-16
14	4	YBCR10003	CARR, BOLT, 5/16"-18 X 5/8" GR 2
15	2	YBCR12020	CARR, BOLT, 3/8"-16 X 1-1/4" GR 5
16	4	YBHH08100	BOLT, 1/4-20 X 3/4 GR 5
17	8	YWFL08005	WASHER, FLAT, 1/4 USS

# FIGURE 8

## AXLE BASE ASSEMBLY



# FIGURE 8

## AXLE BASE ASSEMBLY

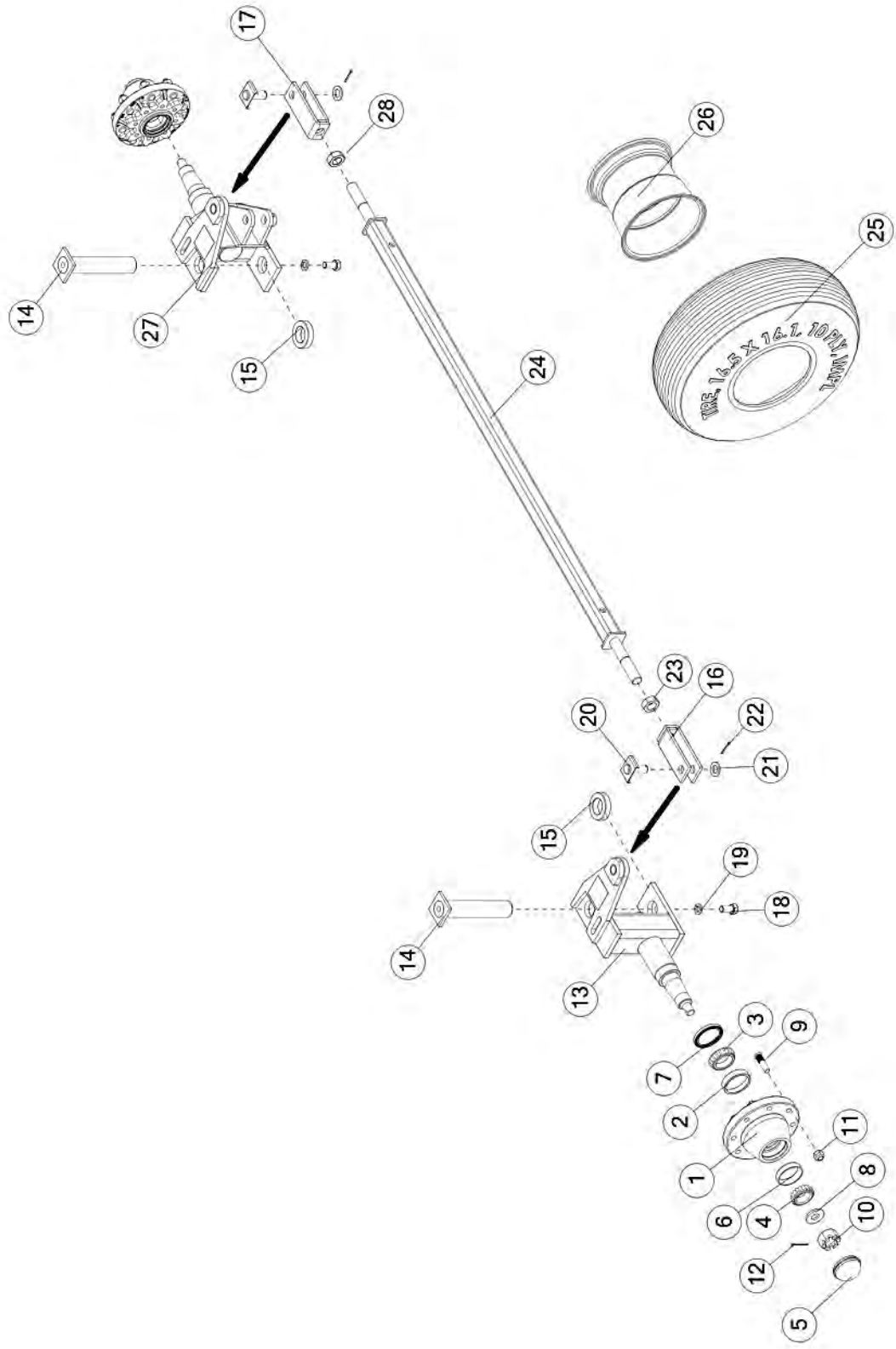
<u>ITEM</u>	<u>QTY</u>	<u>PART #</u>	<u>DESCRIPTION</u>
1	1	PTMAS91	LEFT YOKE ASSM
2	1	PTMAS92	RIGHT YOKE ASSM
3	1	PTMWE44	REAR AXLE ASSM
*	2	54572	GREASE LINE FITTING, STRAIGHT, 5/32 O.D. x 1/4" UNF
4	8	PTMMS13	PHENOLIC BEARING
5	2	PTMTU44	AXLE PIVOT TUBE
6	2	PTMWE58	CYLINDER STOP ASSM
7	4	TFM70	ROD END
*	2	8257	GREASE LINE FITTING, 90° ELBOW 5/32 O.D. x 1/4" UNF
8	4	YNJM40005	HEX NUT, JAM, 1-1/2
9	2	PTMTU47	AXLE TOP LINK TUBE
10	4	PTMSH26	TOP ROD END PIN
11	2	PTMSH40	WORK RAISE ROD PIN
12	8	12V62	SNAP RING
13	A/R	16SV375	SHIM
14	2	YBHH10070	BOLT, 5/16-18 X 2 GR 5
15	4	YBHH12120	BOLT, 3/8"-16 X 3" GR 5
16	8	YBHH16030	BOLT, 1/2-13 X 1-1/2 GR 5
17	2	YBHH32027	BOLT, 1 X 6-1/2 GR.5
18	2	YNNY10005	HEX NUT, NYLON LOCKNUT, 5/16-18
19	8	YNNY16005	HEX NUT, NYLON LOCKNUT, 1/2-13
20	2	YNNY32005	HEX NUT, NYLON LOCK NUT, 1"-8
21	4	YNRL12005	HEX NUT, REVERSIBLE-SIDE LOCK, 3/8"-16 AXLE TOP
22	1	PTMSH24	STEERING PIN BASE END
23	4	PTMMS120	BUSHING, 2.000" ID X 2.250" OD X 2.00"
24	2	PTMSH41	WORK RAISE BASE PIN
25	1	PTMSH44	STEERING ROD END PIN
26	2	TFM52	SAE-ORB / 37 FLARE
27	2	TFM38	STRAIGHT THREAD CONNECTOR
28	2	TFM92	SAE 8 O-RING 40 MICRON BREATHER CAP
29	3	3G21	HEAVY DUTY EXTERNAL SNAP RING, 0.984"
30	1	PTMSH29	STEERING BASE BUSHING
31	1	70722	CYLINDER-STEERING INTERNAL SENSOR
*	1	70979	KIT, O-RING SEALS
32	1	70723	CYLINDER-REAR LIFT-INTERNAL SENSOR
*	1	71026	KIT, O-RING SEALS
33	1	TFM63	CYLINDER- AXLE LIFT (NO SENSOR)
*	1	71953	KIT, O-RINGS SEALS
34	1	PTMTU49	LINK TUBE

**\* MEANS NOT SHOWN**

**A/R: MEANS AS REQUIRED**

# FIGURE 9

## AXLE ASSEMBLY



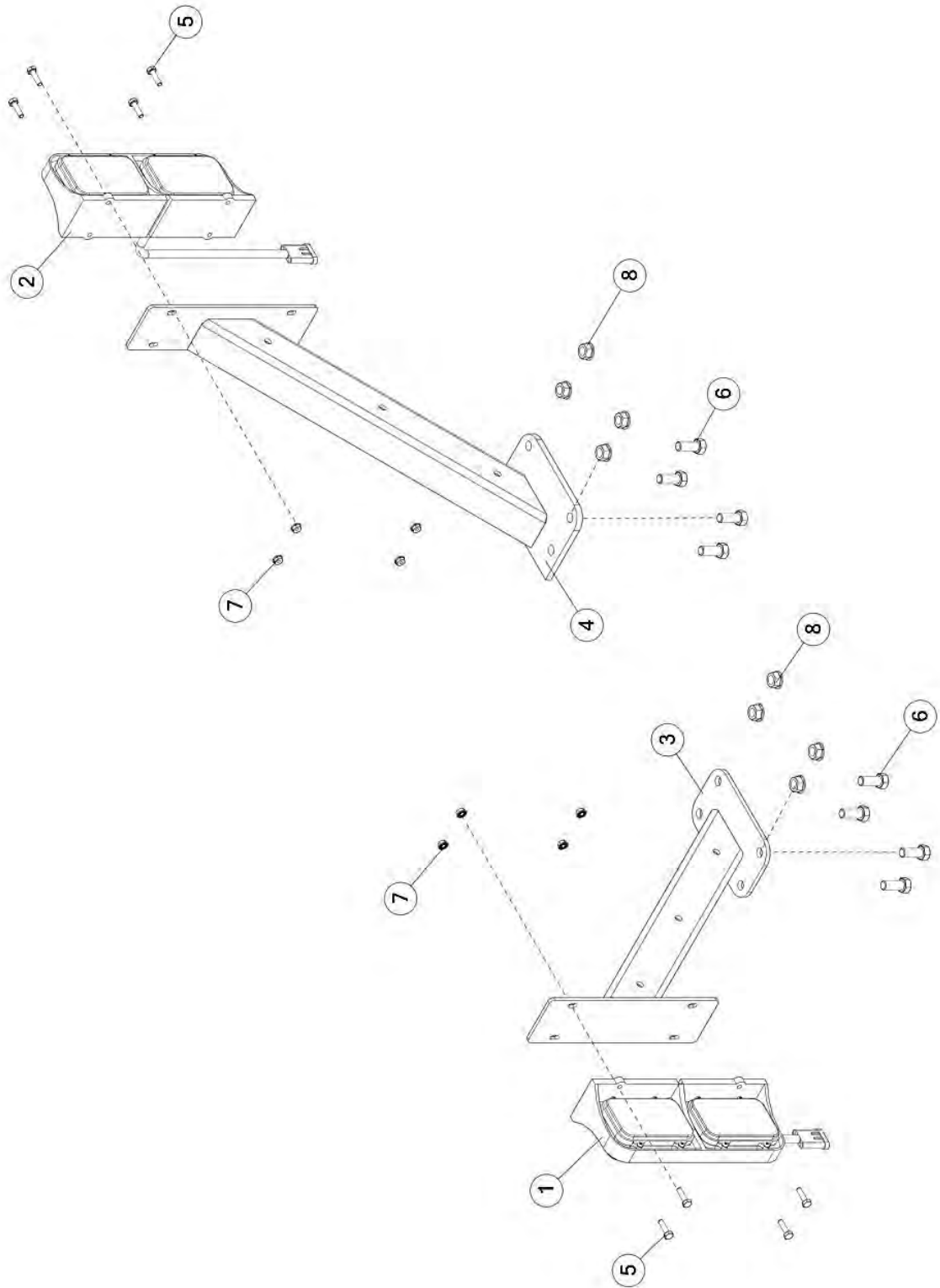
## FIGURE 9

### AXLE ASSEMBLY

<u>ITEM</u>	<u>QTY</u>	<u>PART #</u>	<u>DESCRIPTION</u>
1	2	8713	HUB
2	2	8714	INNER RACE
3	2	8717	INNER BEARING
4	2	8718	OUTER CONE
5	2	8720	DUST CAP
6	2	BFR275	RACE
7	2	HD124	SEAL
8	2	PTMHF128	SPINDLE WASHER
9	16	YBSD16018	STUD BOLT, 1/2-20 UNF X 2-1/8, 9/16 SHOULDER
10	2	YNSL24005	HEX NUT, SLOTTED, 3/4-10
11	16	YNWL20005	WHEEL NUT, 5/8"-18
12	2	YPCT06020	COTTER PIN, 3/16 X 2.00
13	1	PTMWE80	LEFT SPINDLE
14	2	PTMWE64	KING PIN
15	2	RG200	BEARING, THRUST
16	1	PTMWE79	STEERING CLEVIS LH
17	1	PTMWE86	STEERING CLEVIS RH
18	2	YBHH24011	BOLT, 3/4 X 1-1/2 GR 5 FINE THREAD
19	2	YWLO24005	WASHER, LOCK, 3/4
20	2	RG197	CLEVIS PIN
21	2	BFR33	WASHER
22	2	YPCT05010	COTTER PIN 5/32" X 1-1/2"
23	2	YNJM36010	HEX NUT, JAM 1-1/4-12 LEFT HAND THREAD SQUARE TIE
24	1	PTMWE50	ROD REAR
25	1	UR5	16.5 X 16.1 10 PLY IMPL TIRES
26	1	12V36	WHEEL, 16.1 X 14, 8 BOLT
*	1	TFO15	RADIAL TIRE & WHEEL (OPTION KIT)
27	1	PTMWE81	RIGHT SPINDLE
28	1	YNJM36006	HEX NUT, JAM, 1-1/4"-12, PLAIN
*	2	8257	GREASE LINE FITTING, 90° ELBOW 5/32 O.D. x 1/4" UNF

**\* MEANS NOT SHOWN**

# FIGURE 10 TAIL LIGHT ASSEMBLY

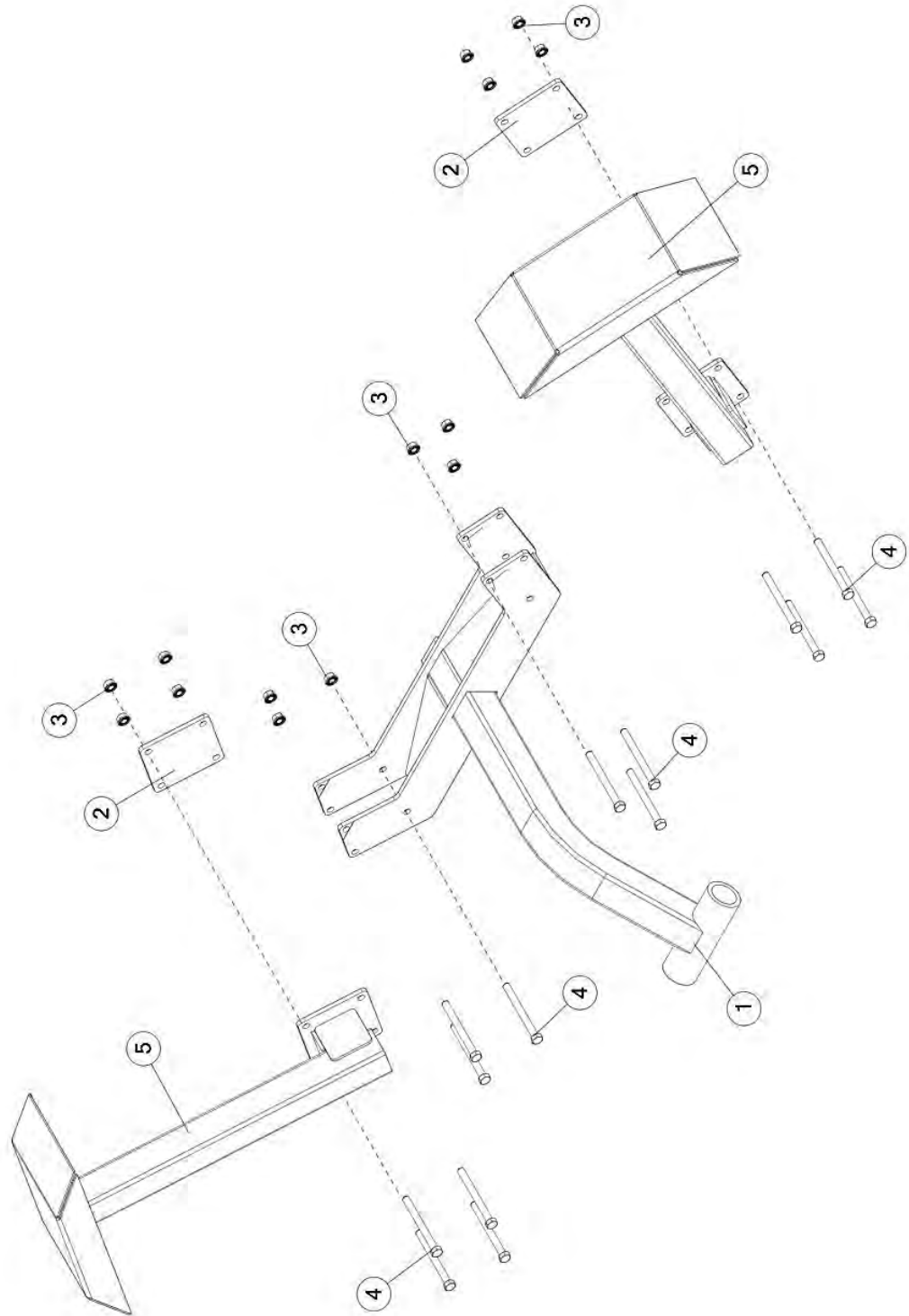


**FIGURE 10**  
**TAIL LIGHT ASSEMBLY**

<b><u>ITEM</u></b>	<b><u>QTY</u></b>	<b><u>PART #</u></b>	<b><u>DESCRIPTION</u></b>
1	1	TFM71	LED TAIL LIGHT ASSM, LH
2	1	TFM72	LED TAIL LIGHT ASSM, RH
3	1	PTMWE52	LIGHT POST, LH
4	1	PTMWE53	LIGHT POST, RH
5	8	YBHH08010	BOLT, 1/4-20" X 1" GR 5
6	8	YBHH16045	BOLT, 1/2-13 X 1-1/4 GR 5
7	8	YNSF08005	HEX NUT, SERRATED FLANGE, 1/4"-20
8	8	YNSF16005	HEX NUT, SERRATED FLANGED-LOCK, 1/2"-13



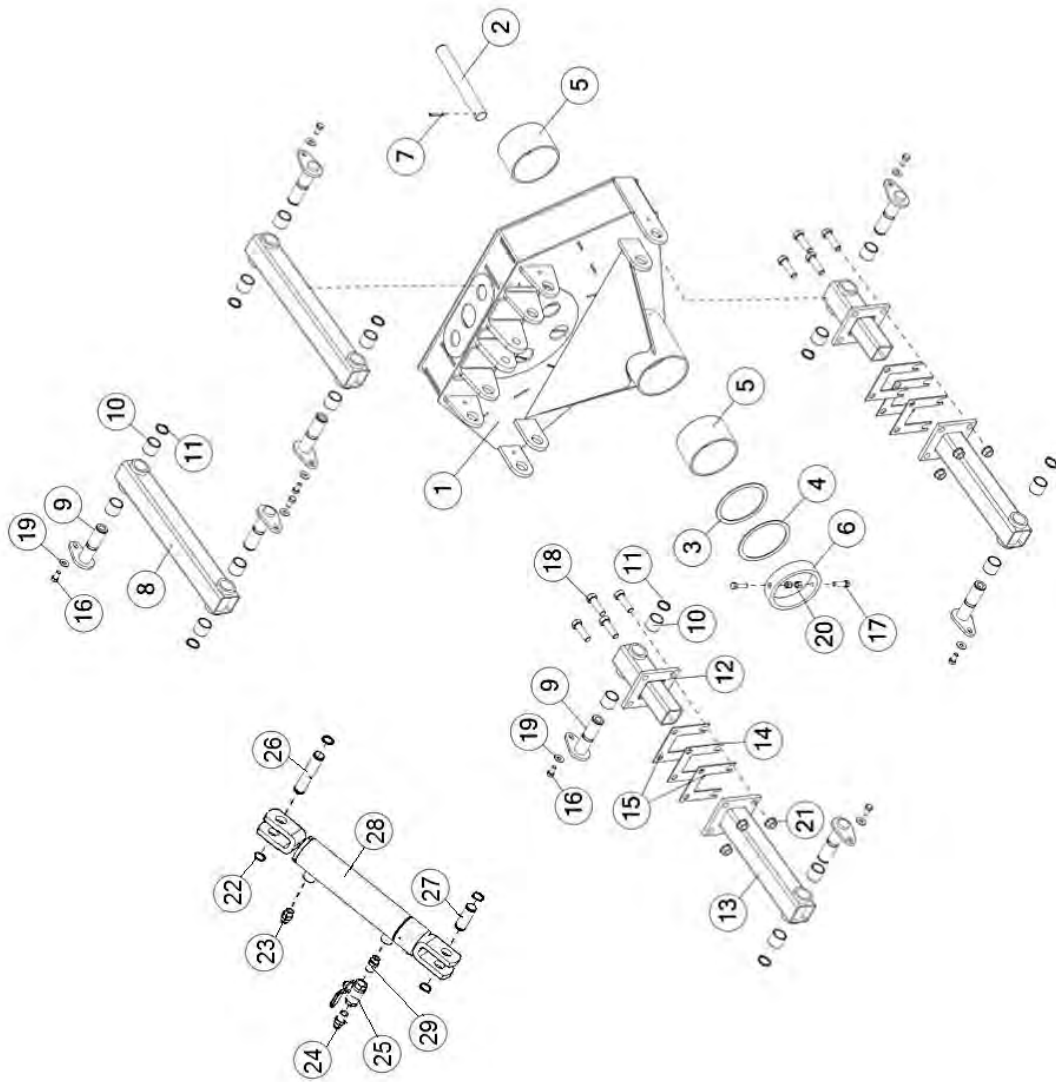
# FIGURE 11 DEFLECTOR STOP



**FIGURE 11**  
**DEFLECTOR STOP**

<b><u>ITEM</u></b>	<b><u>QTY</u></b>	<b><u>PART #</u></b>	<b><u>DESCRIPTION</u></b>
1	1	71149	WLDMT, CENTER DEFLECTOR, STOP
2	2	SPM3G21	DEFLECTOR STOP MOUNT
3	14	YNSF12005	HEX NUT, SERRATED FLANGE, 3/8"-16
4	14	YBHH12170	BOLT, 3/8-16 X 4 GR 5
5	2	72168	WLDMT, DEFLECTO STOP

# FIGURE 12 CENTER HEAD LIFT



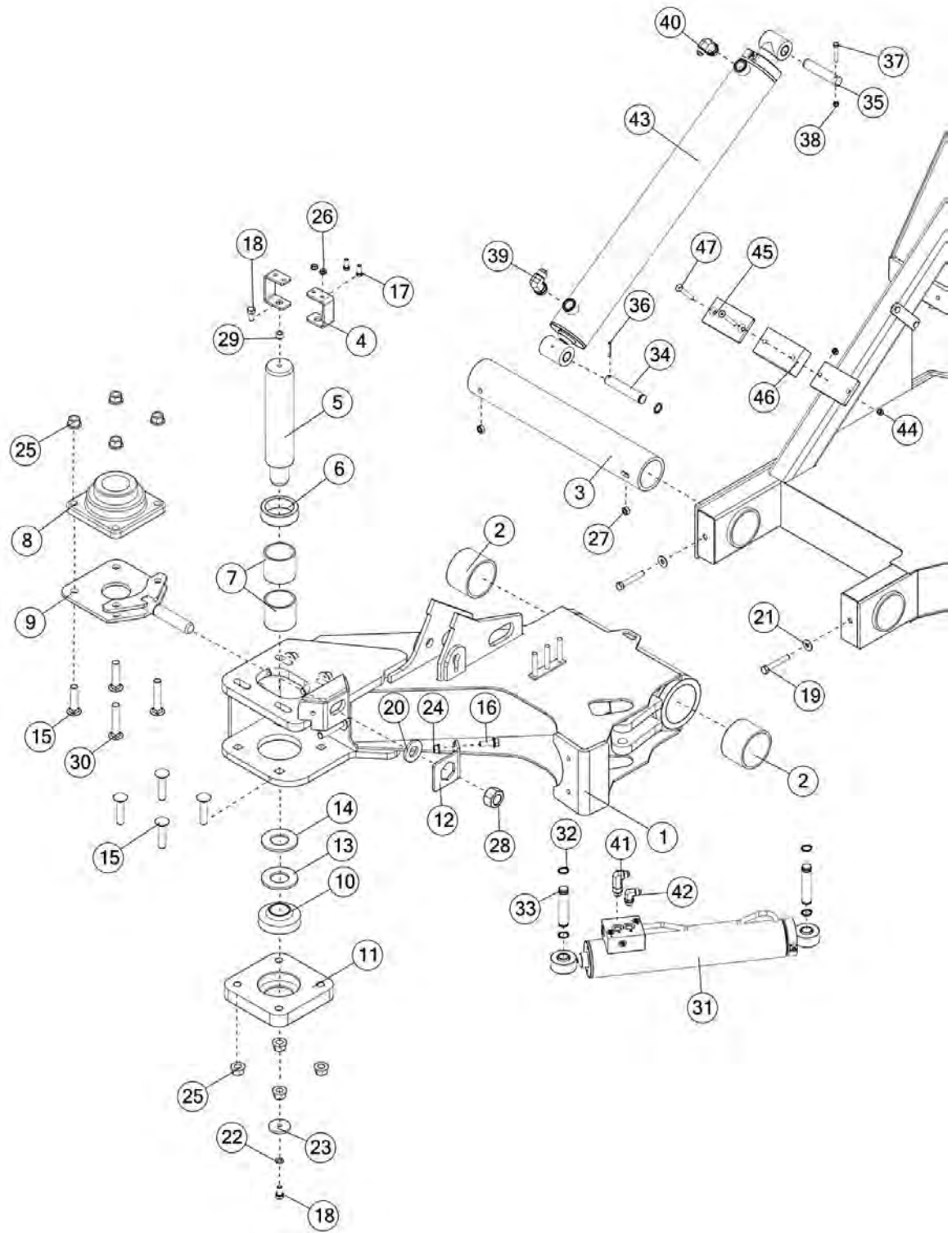
## FIGURE 12

### CENTER HEAD LIFT

<u>ITEM</u>	<u>QTY</u>	<u>PART #</u>	<u>DESCRIPTION</u>
1	1	64215	MIDDLE LIFT MOUNT
2	1	61366	ROD-REPLACEABLE PIVOT PIN
3	1	PTM10G30	HEAD PIVOT SHIM, 10GA
4	1	PTM14G04	HEAD PIVOT SHIM, 14GA
5	2	PTMMS09	HEAD PIVOT PHENOLIC
6	1	PTMTU28	HEAD LOCK COLLAR EXPANSION
7	1	YPEX10017	PIN, 5/16 X 2
8	2	PTMWE11	UPPER LIFT ARM
9	8	71749	WLDMT, TRUN PIN
10	16	17G134	BSH, 1.75 X 1.50 X 1.50, BRZ SNAP
11	8	12V62	RING
12	2	PTMWE62	MIDDLE ARM END
13	2	PTMWE63	LIFT ARM
14	2	71056	SHIM, 6.00 X 6.00 X 0.06 ADJUSTER
15	4	PTM10G51	SHIM
16	8	YBHH16010	BOLT, 1/2 X 1 GR 5
17	2	YBHH16055	BOLT, 1/2 X 1-3/4 GR 5
18	8	YBHH24025	BOLT, 3/4 X 2-1/2 GR 5 TAP BOLT
19	8	YWFL16005	WASHER, FLAT, 1/2 USS
20	2	YNNY16005	HEX NUT, NYLON LOCKNUT, 1/2-13
21	8	YNSF24005	HEX NUT, SERRATED FLANGE, 3/4
22	4	3G21	SNAP RING, 1" HEAVY DUTY
23	2	TFM38	STRAIGHT THREAD CONNECTOR
24	1	TFM90	STRAIGHT THREAD CONNECTOR
25	1	WM140	1/2" BALL VALVE
26	1	PTMSH33	CENTER LIFT ROD PIN
27	1	PTMSH31	CENTER LIFT BASE PIN
28	1	70724	CYLINDER-CENTER HEAD
*	1	71032	KIT, O-RING SEALS
29	1	TFM89	NPTF / ORB STR THREAD CONNECTOR

# FIGURE 13

## PIVOT ARM ASSEMBLY



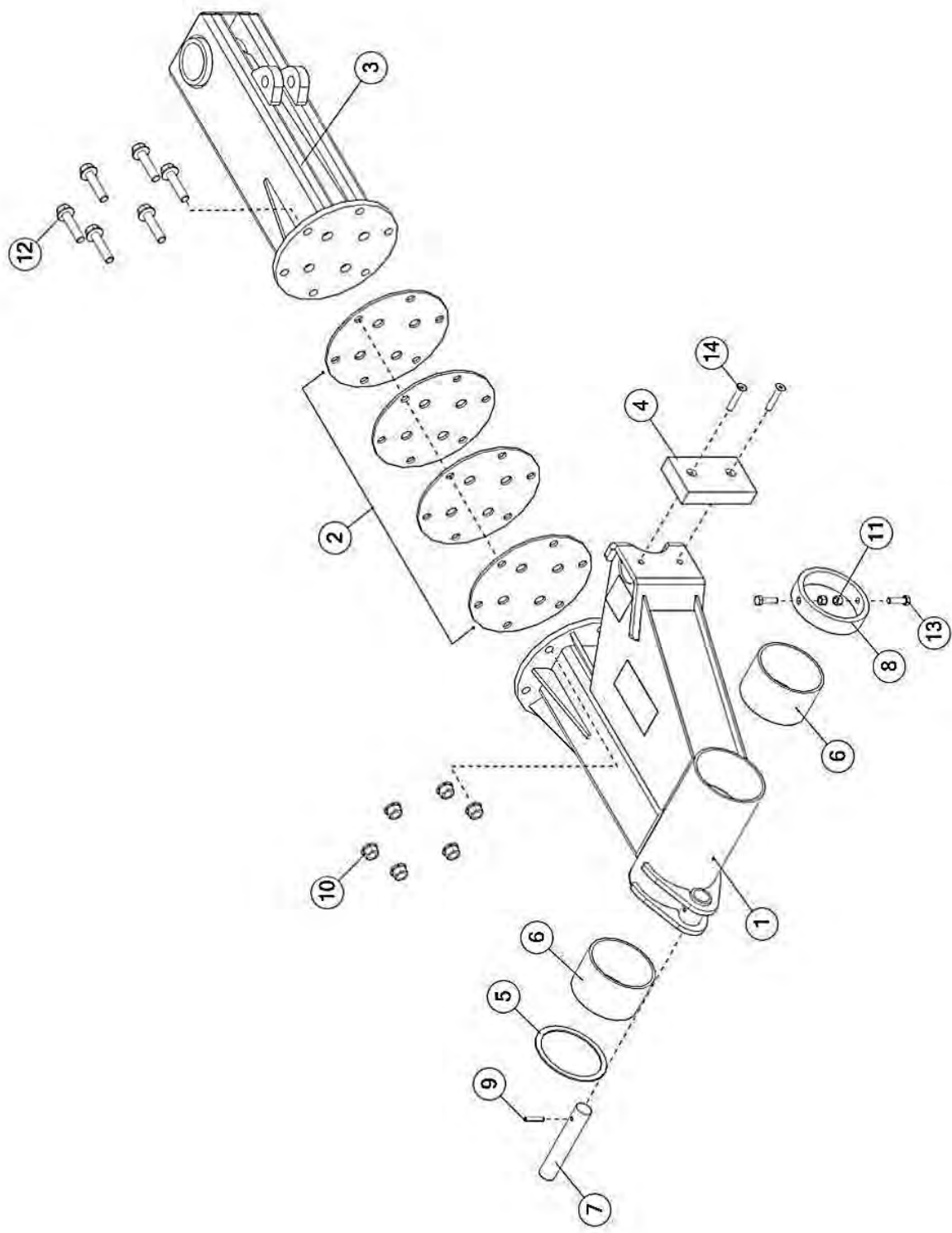
# FIGURE 13

## PIVOT ARM ASSEMBLY

<u>ITEM</u>	<u>QTY</u>	<u>PART #</u>	<u>DESCRIPTION</u>
1	1	70153	WLDMT, ARM, LH
*	1	70129	WLDM,T ARM, RH
2	2	PTMMS13	PHENOLIC BEARING
3	1	PTMTU14	ARM PIVOT PIN
4	2	PTM3G82	OUTER HOSE CLAMP
5	1	70142	PIVOT PIN
6	1	70144	FOLD THRUST BUSHING
7	2	B58	BUSHING FOR TANDEM AXLE
8	1	1091	PITCH ADJUSTMENT BEARING
9	1	PTMWE31	TAKE UP BRACKET
10	1	TFM99	BALL END
11	1	PTMHF99	BEARING SUPPORT
12	1	PTM3G41	NUT LOCK PLATE
13	1	PTM3G75	PIN THRUST WASHER
14	1	PTMMS57	PIN THRUST WASHER BRONZE
15	8	YNFG24006	3/4-10, TOP LOCK FLANGE NUT
16	1	YBFB16005	1/2-13 X 1-1/2 FLANGE BOLT, GR 5, ZINC
17	2	YBHH12010	BOLT, 3/8 X 1 GR 5
18	2	YBHH16012	BOLT, 1/2-13 X 1 GR 8
19	2	YBHH16120	BOLT, 1/2 X 3-1/4 GR 5
20	1	PTM3G83	PITCH THRUST WASHER
21	2	YWFL16005	WASHER, FLAT, 1/2 USS
22	1	YWLO16005	WASHER, LOCK, 1/2
23	1	PTM3G42	PIVOT THRUST WASHER
24	1	YNFG16005	HEX NUT, FLANGED, TOP LOCK, 1/2-20, GF, ZC
25	8	YNFG24006	TOP LOCK FLANGE NUT, 3/4-10, GR.F, ZINC
26	2	YNSF12005	HEX NUT, SERRATED FLANGE, 3/8"-16
27	2	YNTL16005	HEX NUT, TOP LOCK, 1/2-13
28	1	YNHX36005	HEX NUT, 1-1/4"-12, ZINC
29	1	0209TU04	FLEX BUSHING
30	1	YBCR24010	CARR. BOLT, 3/4 X 4 GR 5
31	1	70725	CYLINDER-FOLD/UNFOLD-INTERNAL SENSOR
*	1	71053	KIT, O-RING SEALS
32	5	3G21	HEAVY DUTY EXTERNAL SNAP RING, 0.984"
33	2	PTMSH23	FOLD BASE END PIN
34	1	PTMSH37	LIFT ARM PIN
35	1	PTMSH42	FLOAT BASE END PIN
36	1	YPEX08015	EXPANSION PIN, 1/4 X 1 3/4
37	1	YBHH10070	BOLT, 5/16 X 2 GR 5
38	1	YNNY10005	HEX NUT, NYLON LOCKNUT, 5/16-18
39	1	CHM194	STRAIGHT THREAD ELBOW
40	1	GM36	STRAIGHT THREAD ELBOW
41	1	TFM47	LONG STR THREAD ELBOW 8-CC50X-S
42	1	TS135	8-C50X-S FITTING
43	1	70219	CYL, HYD, 40.25 X 70.25
*	1	70218	KIT, O-RING SEALS
44	2	YNRL12005	HEX NUT, REVERSIBLE-SIDE LOCK, 3/8"-16
45	1	56376	FOLD BUMPER PLATE
46	1	61076	POLY SPACER FOR UPPER BUMPER
47	2	YSFS12020	FLAT HEAD SOCKET CAP SCREW, 3/8

\* MEANS NOT SHOWN

# FIGURE 14 PIVOT ASSEMBLY



**FIGURE 14**  
**PIVOT ASSEMBLY**

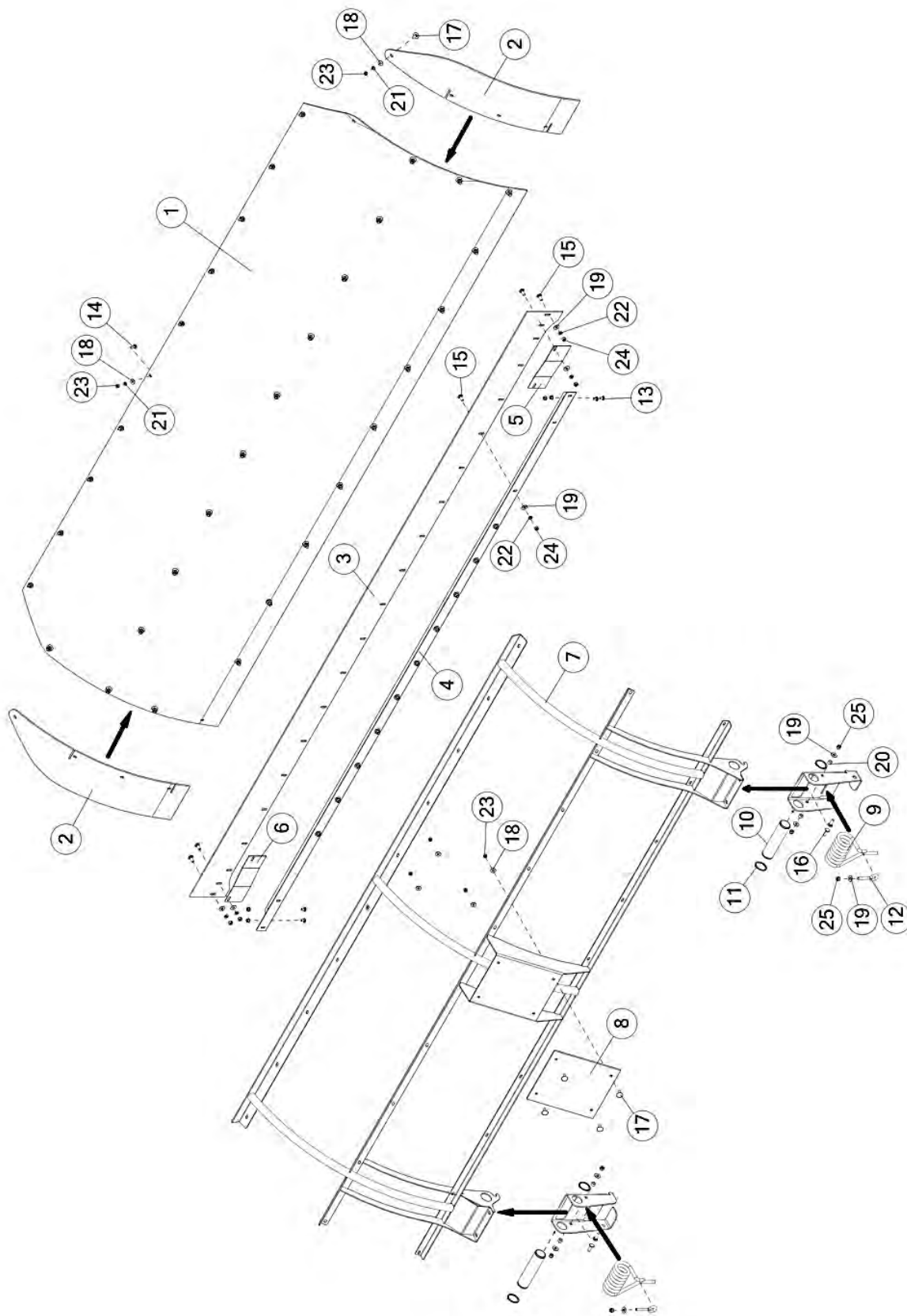
<b><u>ITEM</u></b>	<b><u>QTY</u></b>	<b><u>PART #</u></b>	<b><u>DESCRIPTION</u></b>
1	1	0225WE05	OUTER PIVOT ARM
2	4	PTM3G45	PIVOT ARM PLATE
3	1	0225WE12	INNER PIVOT ARM
4	1	61077	POLY BUMPER
5	1	PTM10G30	HEAD PIVOT SHIM, 10GA
A/R	1	PTM14G04	HEAD PIVOT SHIM, 14GA
6	2	PTMMS09	HEAD PIVOT PHENOLIC
7	1	PTMSH13	PIVOT STOP SHAFT
8	1	PTMTU28	HEAD LOCK COLLAR
9	1	YPEX10017	EXPANSION PIN, 5/16 X 2
10	6	YNFG24006	HEX NUT, FLANGED-LOCK, TOPLOCK GR. G- 3/4-10 HEX
11	2	YNNY16005	NUT, NYLON LOCKNUT, 1/2-13
12	6	YBFB24025	BOLT, FLANGE, HEX, 3/4"-10 X 3-1/4" GR 8 YELLOW ZINC
13	2	YBHH16055	BOLT, 1/2"-13 X 1-3/4" GR 5
14	2	YSFS16040	FLAT HEAD SOCKET CAP SCREW, 1/2-13 X 2-3/4

**A/R: MEANS AS REQUIRED**



# FIGURE 15

## POLY DEFLECTOR ASSEMBLY



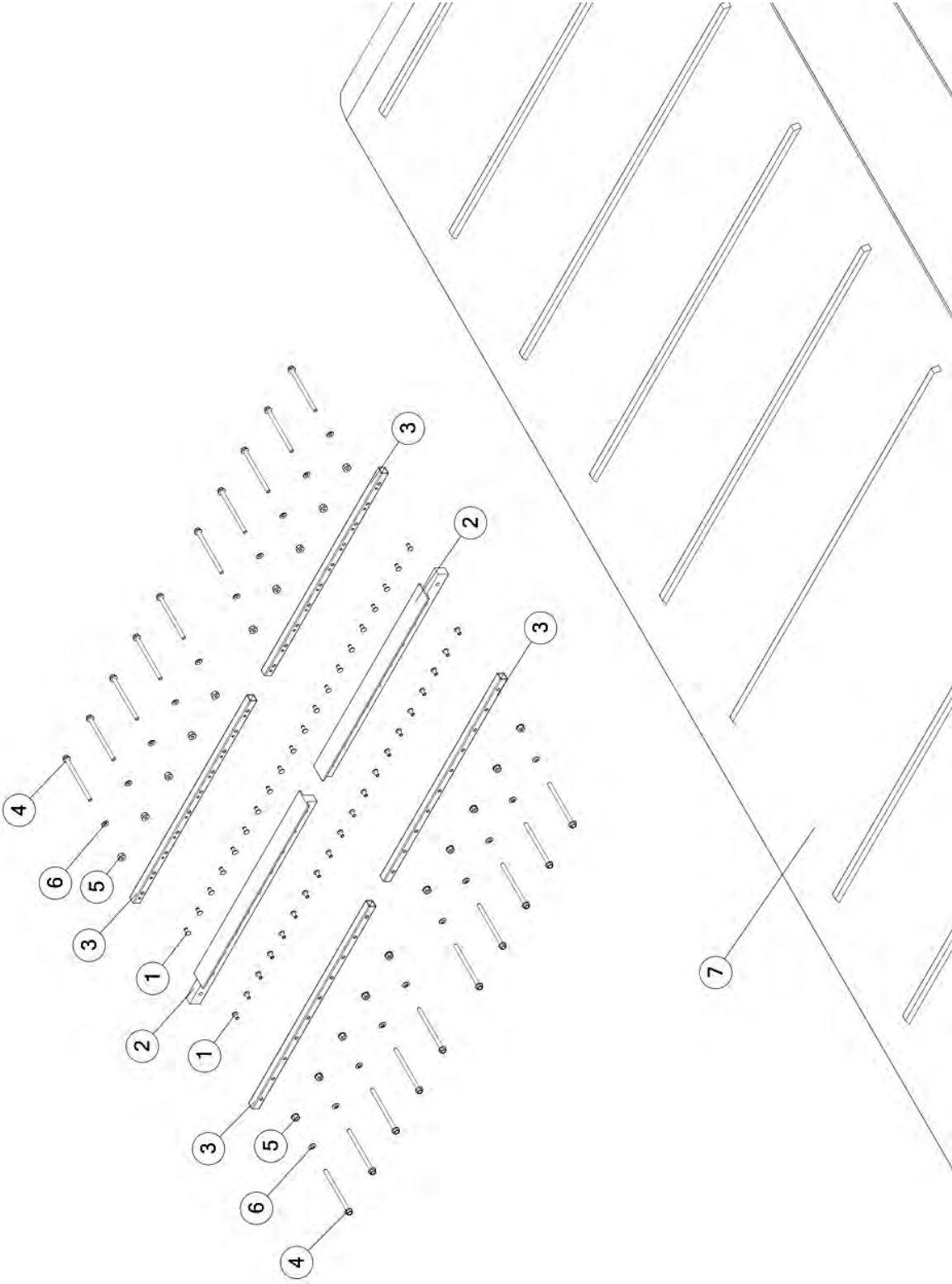
# FIGURE 15

## POLY DEFLECTOR ASSEMBLY

<u>ITEM</u>	<u>QTY</u>	<u>PART #</u>	<u>DESCRIPTION</u>
1	1	56872	POLY DEFLECTOR
2	2	67829	RUBBER,32.8X7.75X0.25
3	1	61309	RUBBER DEFLECTOR HINGE
4	1	70770	WIPER, DEFLECTOR, FORMED
5	1	60838	COVER PLATE, RH
6	1	60839	COVER PLATE, LH
7	1	56937	CENTER DEFLECTOR FRAME
*	1	56938	RIGHT DEFLECTOR FRAME
*	1	56876	LEFT DEFLECTOR FRAME
8	1	56882	DEFLECTOR PAD
9	2	57787	TORSION SPRING, CENTER
*	2	71373	TORSION SPRING, LH
*	2	57787	TORSION SPRING, RH
10	2	60319	SPRING PIN
11	4	60320	SNAP RING
12	2	YBTE12015	TURNED EYE BOLT, 3/8 X 2-1/2
13	4	YBCR10003	CARR, BOLT, 5/16 -18 X 5/8 GR 2
14	25	YBCR10005	CARR. BOLT, 5/16 X 1 GR 2
15	17	YBCR12010	CARR. BOLT, 3/8 X 1 GR. 5 CARR.
16	4	YBCR12020	BOLT, 3/8 X 1-1/4 GR 5 STEP
17	8	YBSB10010	BOLT, 5/16-18 X 1 WASHER,
18	37	YWFL10005	FLAT, 5/16 USS WASHER, FLAT,
19	23	YWFL12005	3/8 USS
20	4	71364	TUBE, STR, 0.63 X 0.12 X 0.38
21	33	YWLO10005	WASHER, LOCK, 5/16
22	17	YWLO12005	WASHER, LOCK, 3/8
23	33	YNHX10005	HEX NUT, 5/16 GR 2
24	17	YNHX12005	HEX NUT, 3/8-16 GR 2
25	6	YNNY12005	HEX NUT, NYLON LOCKNUT, 3/8

**\*MEANS NOT SHOWN**

**FIGURE 16**  
**CONVEYOR BELT ASSEMBLY**



## FIGURE 16

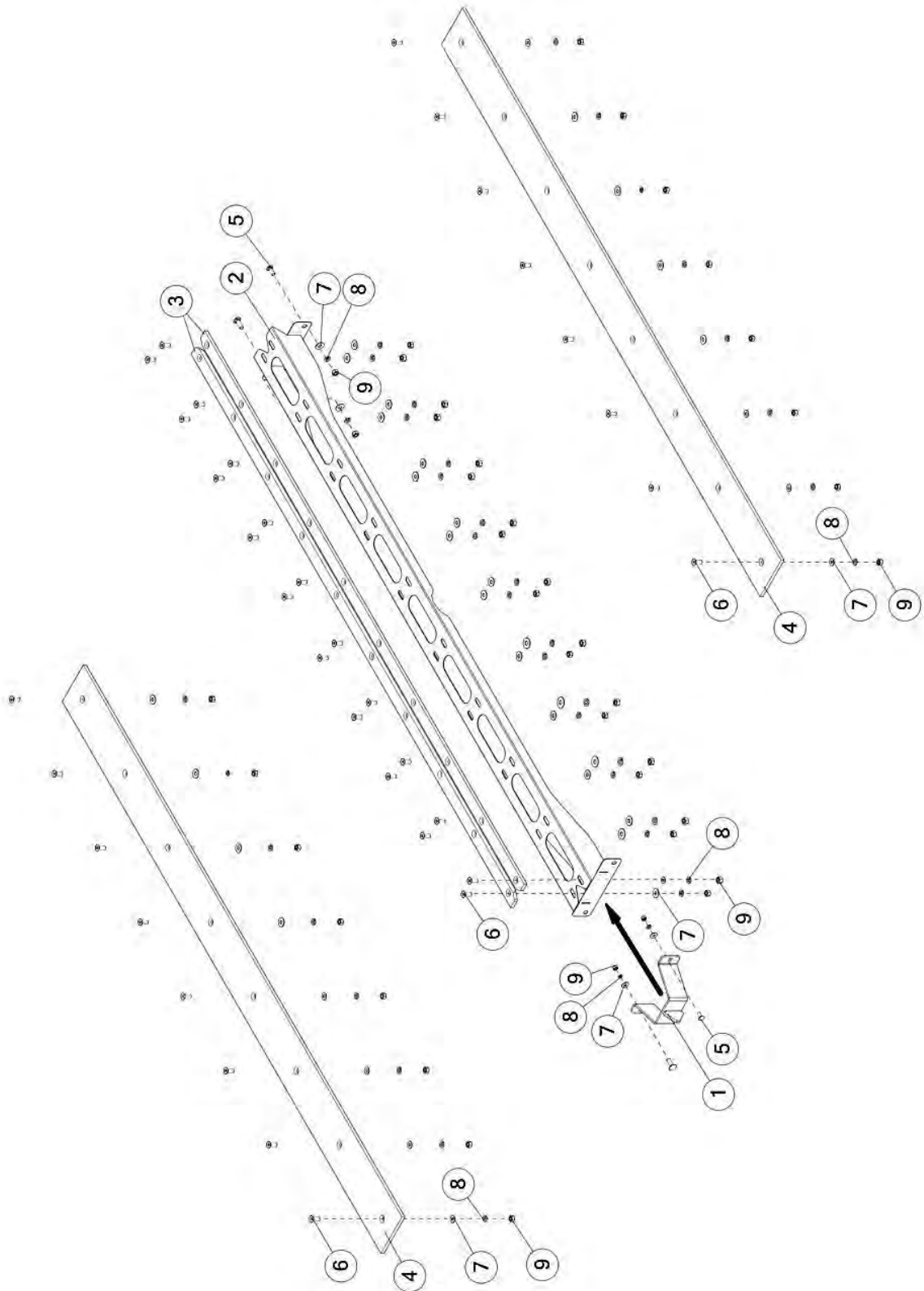
### CONVEYOR BELT ASSEMBLY

<u>ITEM</u>	<u>QTY</u>	<u>PART #</u>	<u>DESCRIPTION</u>
1	40	8628	3/16" DIA X 3/8" RIVET
2	2	SPMPL06	POLY WEAR STRIP
*	2	66288	POLY WEAR STRIP (THIN)
3	4	SPMTU31	BELT CLAMP
4	20	YBFB08050	1/4"-20 X 4 FLANGE BOLT
5	20	YNFG08005	HEX NUT, FLANGED, TOP LOCK, 1/4-20, GR F
6	20	YWCU08005	WASHER, CUSTOM, BELLEVILLE, 1/4, 18-8 S/S
7	1	71985	CONVEYOR BELT
*	1	SPMAS04	BELT SPLICE KIT

**\*MEANS NOT SHOWN**

# FIGURE 17

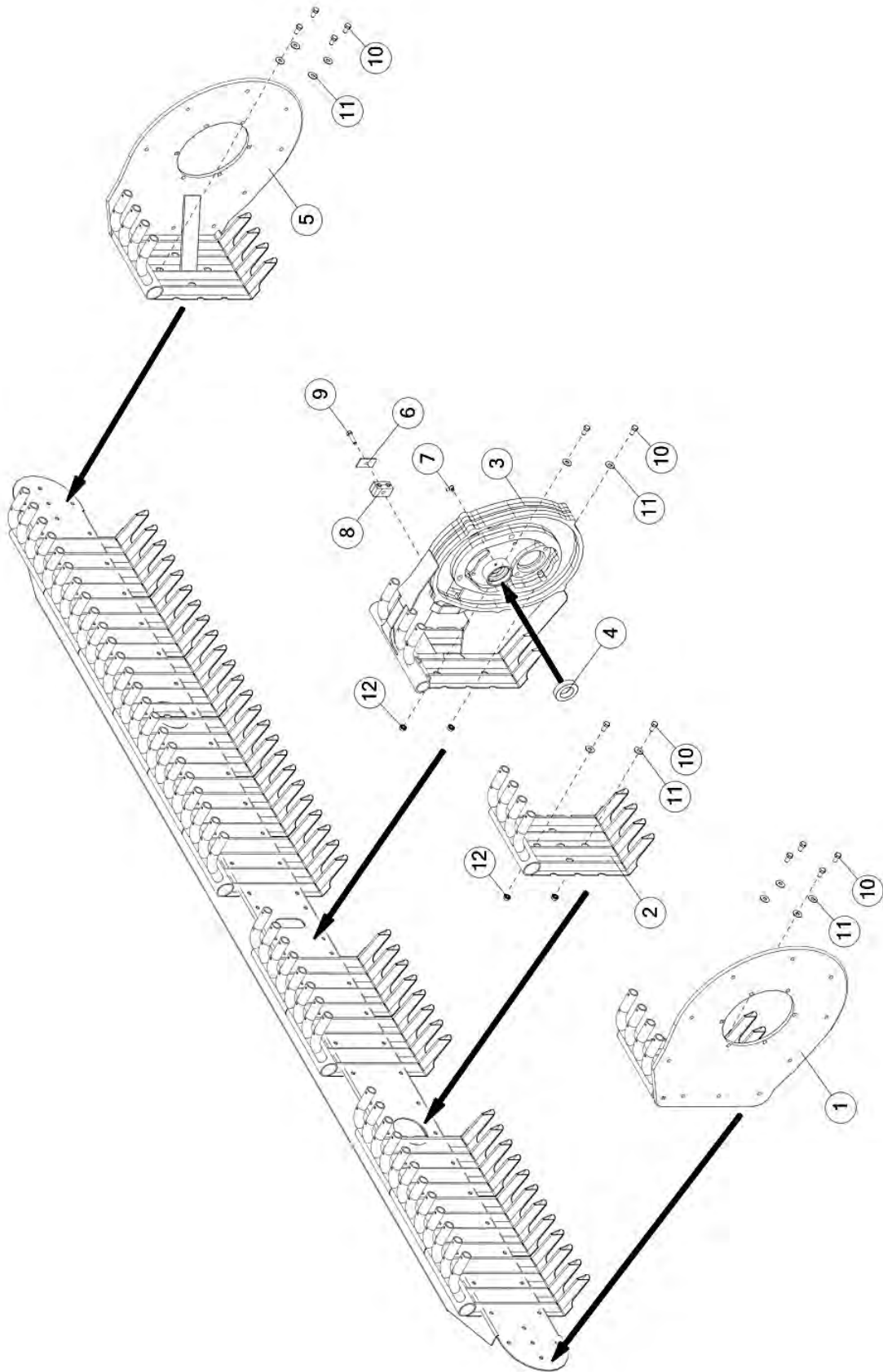
## POLY GUIDE ASSEMBLY



**FIGURE 17**  
**POLY GUIDE ASSEMBLY**

<b><u>ITEM</u></b>	<b><u>QTY</u></b>	<b><u>PART #</u></b>	<b><u>DESCRIPTION</u></b>
1	1	57543	SCRAPER BRACKET
2	1	58508	CENTER GUIDE
3	2	58503	POLY GUIDE
4	2	57398	CENTER CONVEYOR POLY
5	4	YBCR16010	CARR. BOLT, 1/2 X 1-1/2 GR 5
6	36	YSFS16015	FLAT HEAD SOCKET CAP SCREW, 1/2 X 1-1/4
7	40	YWFL16005	WASHER, FLAT, 1/2 USS
8	40	YWLO16005	WASHER, LOCK, 1/2
9	40	YNHX16005	HEX NUT, 1/2

# FIGURE 18 HEAD FRAME & COMPONENTS

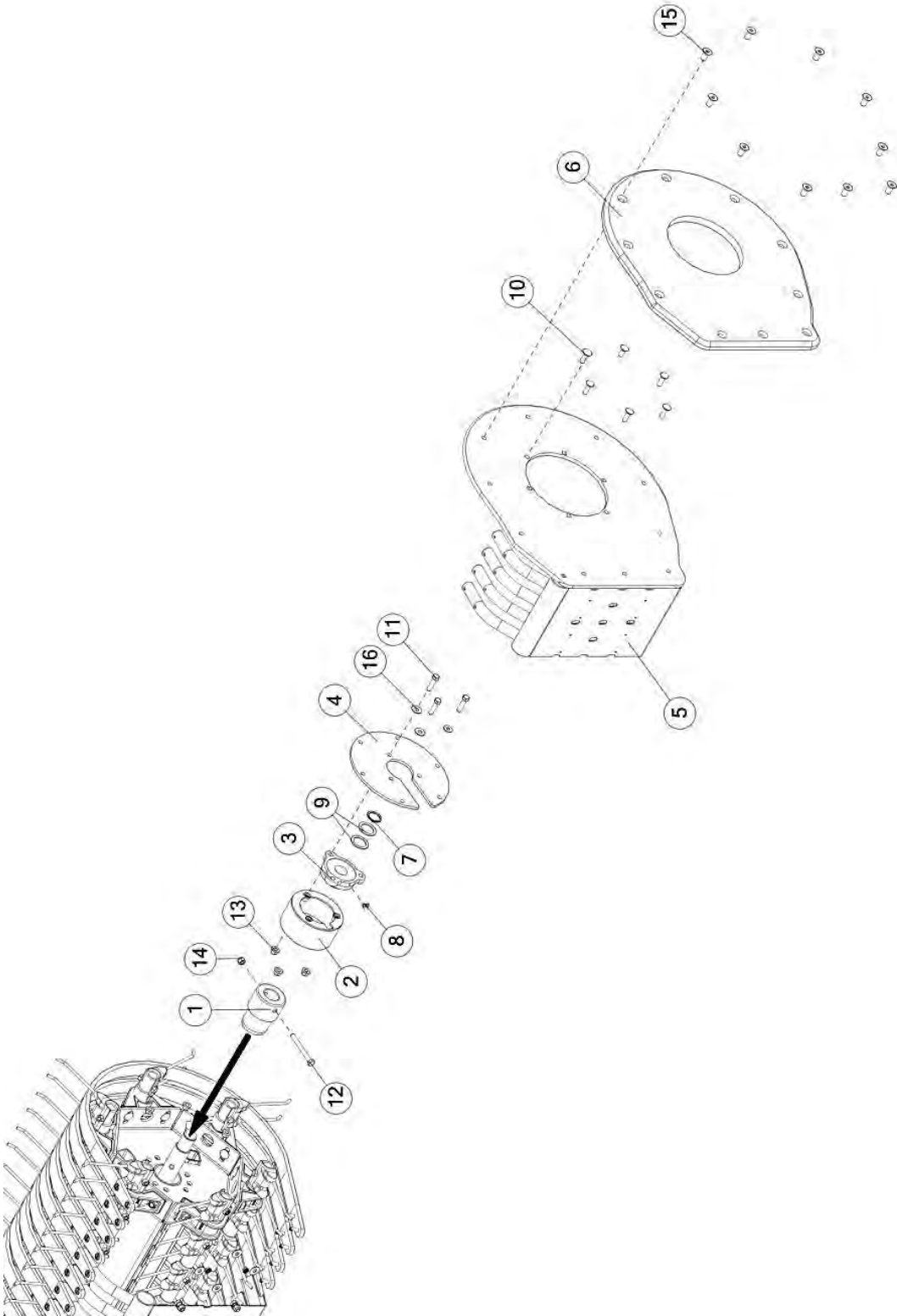


**FIGURE 18**  
**HEAD FRAME & COMPONENTS**

<b><u>ITEM</u></b>	<b><u>QTY</u></b>	<b><u>PART #</u></b>	<b><u>DESCRIPTION</u></b>
1	1	SPMWE15	RIGHT END SECTION
2	12	SPMWE02	CHANNEL SECTION
3	1	0209WE04	CAM ASSM
4	1	TFM29	1-1/2 RADIAL BALL THRUST BEARING
5	1	SPMWE14	LEFT END SECTION
6	1	56563	CLAMP TOP PLATE
7	1	8257	GREASE LINE FITTING, 90 DEG ELBOW 5/32OD X 1/4
8	1	TS118	LINE CLAMP BLOCK
9	1	56568	CLAMP BOLT
10	56	YBHH12135	BOLT, 3/8-16 X 3/4 GR 5
11	54	YWFL12005	WASHER, FLAT, 3/8 USS
12	52	YNSF12005	HEX NUT, SERRATED FLANGE, 3/8-16



**FIGURE 19**  
**END SECTION**

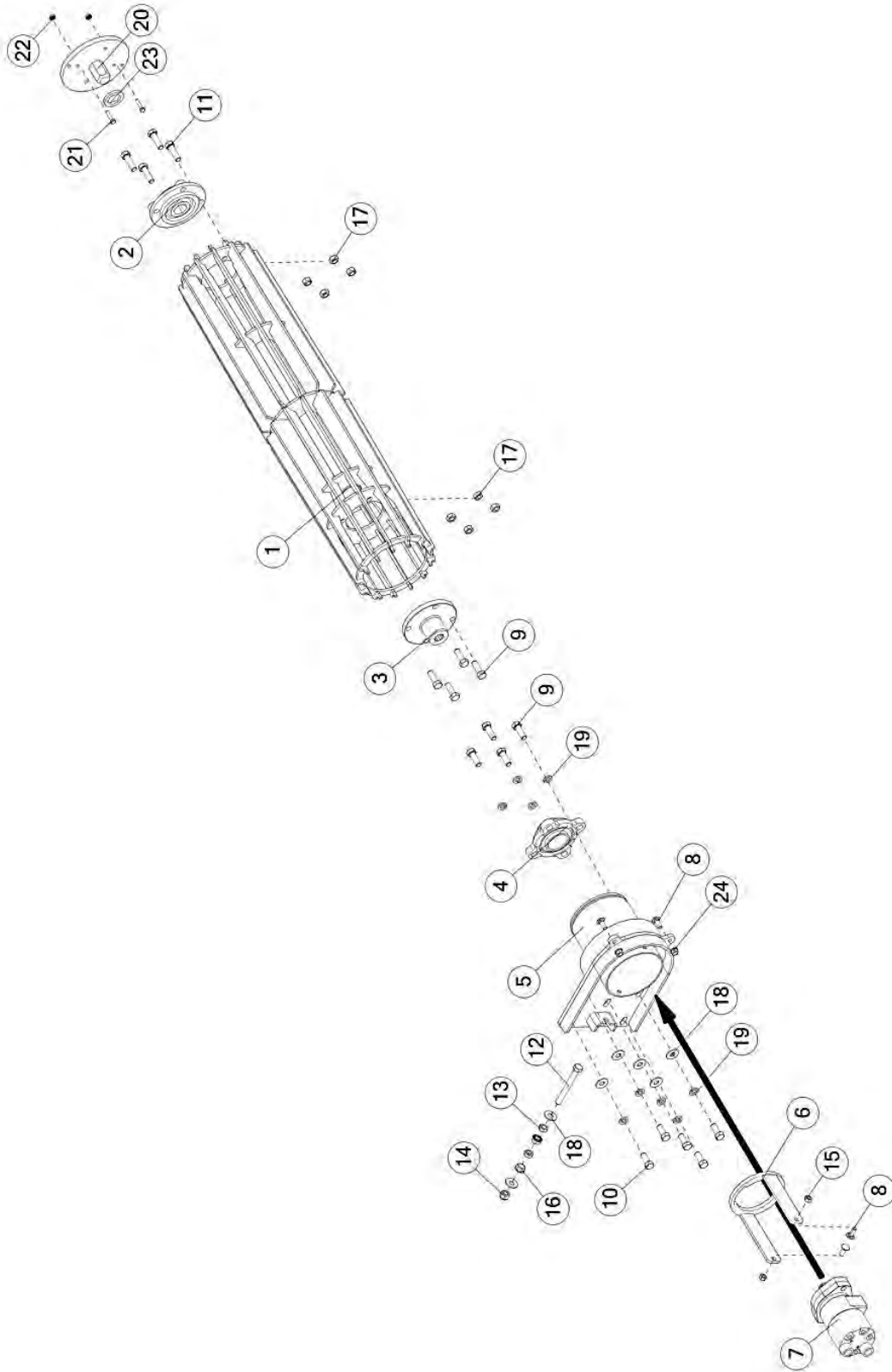


**FIGURE 19**  
**END SECTION**

<b><u>ITEM</u></b>	<b><u>QTY</u></b>	<b><u>PART #</u></b>	<b><u>DESCRIPTION</u></b>
1	12	0209SH08	PILOT HUB
2	2	59141	ANTI WRAP GUARD
3	2	TFM50	HEAD IDLER BEARING
4	1	SPM3G13	HEAD IDLER BEARING
5	1	SPMWE15	RIGHT END SECTION
*	1	SPMWE14	LEFT END SECTION
6	1	0209PL03	RIGHT POLY END
*	1	0209PL02	LEFT POLY END
7	2	F73	SNAP RING
8	2	GM503	1/8" 90 DEGREE PIPE ZERK
9	4	SPM14G28	TOOTH SHIM
10	12	YBCR12020	CARR. BOLT, 3/8 X 1-1/4 GR 5
11	6	YBHH12025	BOLT, 3/8-16 X 1-1/2 GR 5
12	2	YBHH12145	BOLT, 3/8 X 3-1/2 GR 5
13	6	YMRN12020	RIVET, NUT, HEX, 3/8-16, ST, ZINC
14	2	YNNY12005	NUT, NYLON LOCKNUT, 3/8
15	20	YSFS16005	FLAT HEAD SOCKET CAP SCREW, 1/2 X 1
16	6	YWFL12005	WASHER, FLAT, 3/8 USS

**\* MEANS NOT SHOWN**

# FIGURE 20 DRIVER ROLLER ASSEMBLY

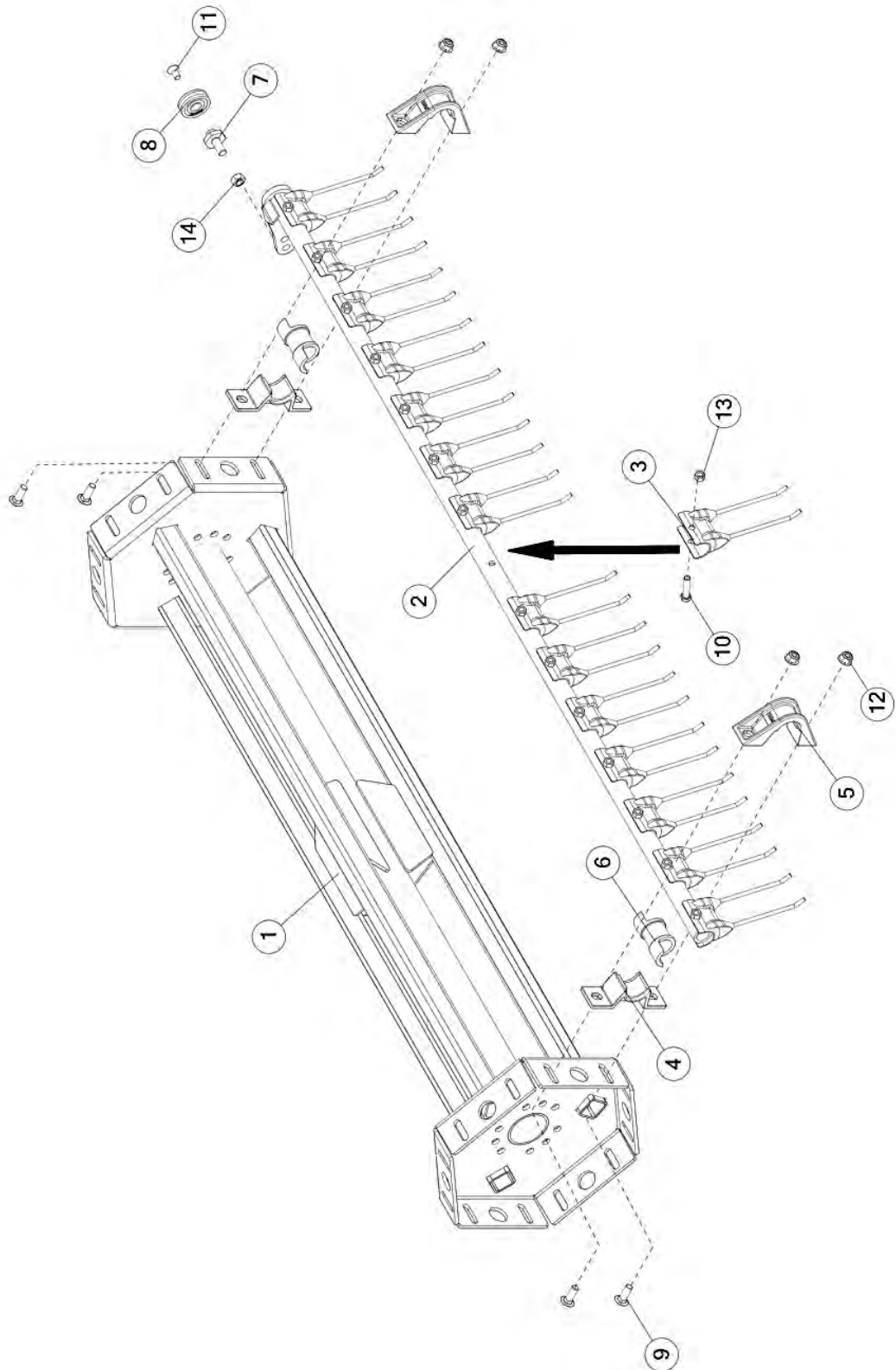


## FIGURE 20

### DRIVER ROLLER ASSEMBLY

<u>ITEM</u>	<u>QTY</u>	<u>PART #</u>	<u>DESCRIPTION</u>
1	1	72374	DRIVE ROLLER
2	1	TFM45	IDLER BEARING
3	1	SPMSH02	DRIVE HUB
4	4	60135	MOTOR HOUSING BEARING
5	1	56832	MOTOR HOUSING
6	1	SPMWE36	MOTOR BRACKET
7	1	TFM46	CROSS CONVEYOR MOTOR
8	2	RBCR12010	CARR. BOLT, 3/8 X 1 GR. 5
9	8	YBHH16030	BOLT, 1/2 X 1-1/2 GR 5
10	8	YBHH16045	BOLT, 1/2-13 X 1-1/4 GR 5
11	4	YBHH16055	BOLT, 1/2 X 1-3/4 GR 5
12	1	YBHH16145	BOLT, 1/2 X 4-1/2 GR 5 TAP
13	2	YNJM16005	HEX NUT, JAM, 1/2-13
14	2	YNNY16005	HEX NUT, NYLON LOCKNUT, 1/2-13
15	2	YNRL12005	HEX NUT, REVERSIBLE-SIDE LOCK, 3/8-16
16	2	YNSF16005	HEX NUT, SERRATED FLANGED-LOCK, 1/2-13
17	8	YNTL16005	HEX NUT, TOP LOCK, 1/2-13
18	7	YWFL16005	WASHER, FLAT, 1/2 USS
19	10	YWLO16005	WASHER, LOCK, 1/2
20	1	70733	GUSSET, HEX SHAFT
21	2	YBHH08035	BOLT, 1/4 X 1-1/4 GR 5
22	2	YNSF08005	1/4-20 SERRATED FLNG NUT BIN STOCKED
23	1	72063	HEX SHIM, 0.25"
24	2	YNFG12005	HEX NUT, FLANGE, TOP LOCK, 3/8"-16 GRADE F (ZINC)

**FIGURE 21**  
**TINE BAR ASSEMBLY**

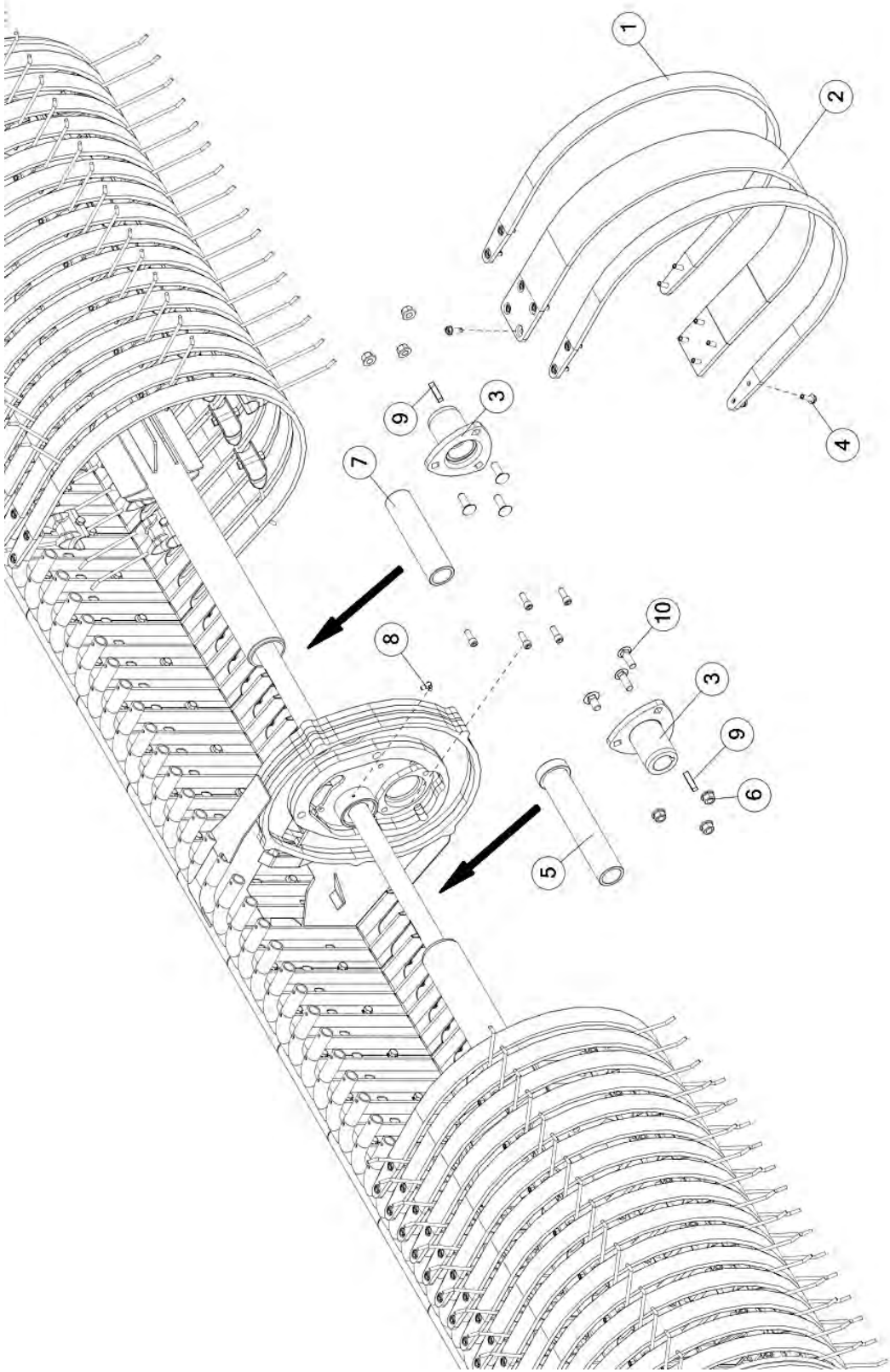


**FIGURE 21**  
**TINE BAR ASSEMBLY**

<b>ITEM</b>	<b>QTY</b>	<b>PART #</b>	<b>DESCRIPTION</b>
1	1	0225WE10	PICKUP REEL
2	6	0225WE03	RIGHT TINE BAR
*	6	0225WE04	LEFT TINE BAR
3	90	SPMMS00	RUBBER TINE
4	12	SPMMS16	HOUSING, BEARING, BOTTOM
5	12	SPMMS17	TINE BAR BEARING HOUSING TOP, MOLDED
6	12	SPMMS18	TINE BAR WEAR SLEEVE
7	1	SPMSH14	FOLLOWER BEARING MOUNT
8	1	TFM41	FOLLOWER BEARING
9	24	YBCR14005	7/16-14 X 1-1/4 CARRIAGE BOLT GRADE A
10	90	YBHH12060	BOLT, 3/8 X 1-3/4 GR 5
11	1	YSFS12015	FOLLOWER BOLT 3/8-24 X 3/4
12	24	YNFG14011	HEX NUT, FLANGE, NYLOCK, 7/16-14, GR F, ZINC
13	90	YNRL12005	HEX NUT, REVERSIBLE-SIDE LOCK, 3/8-16 HEX
14	1	YNL16005	NUT, TOP LOCK, 1/2-13

**\* MEANS NOT SHOWN**

**FIGURE 22**  
**DRIVE CAM ASSEMBLY**



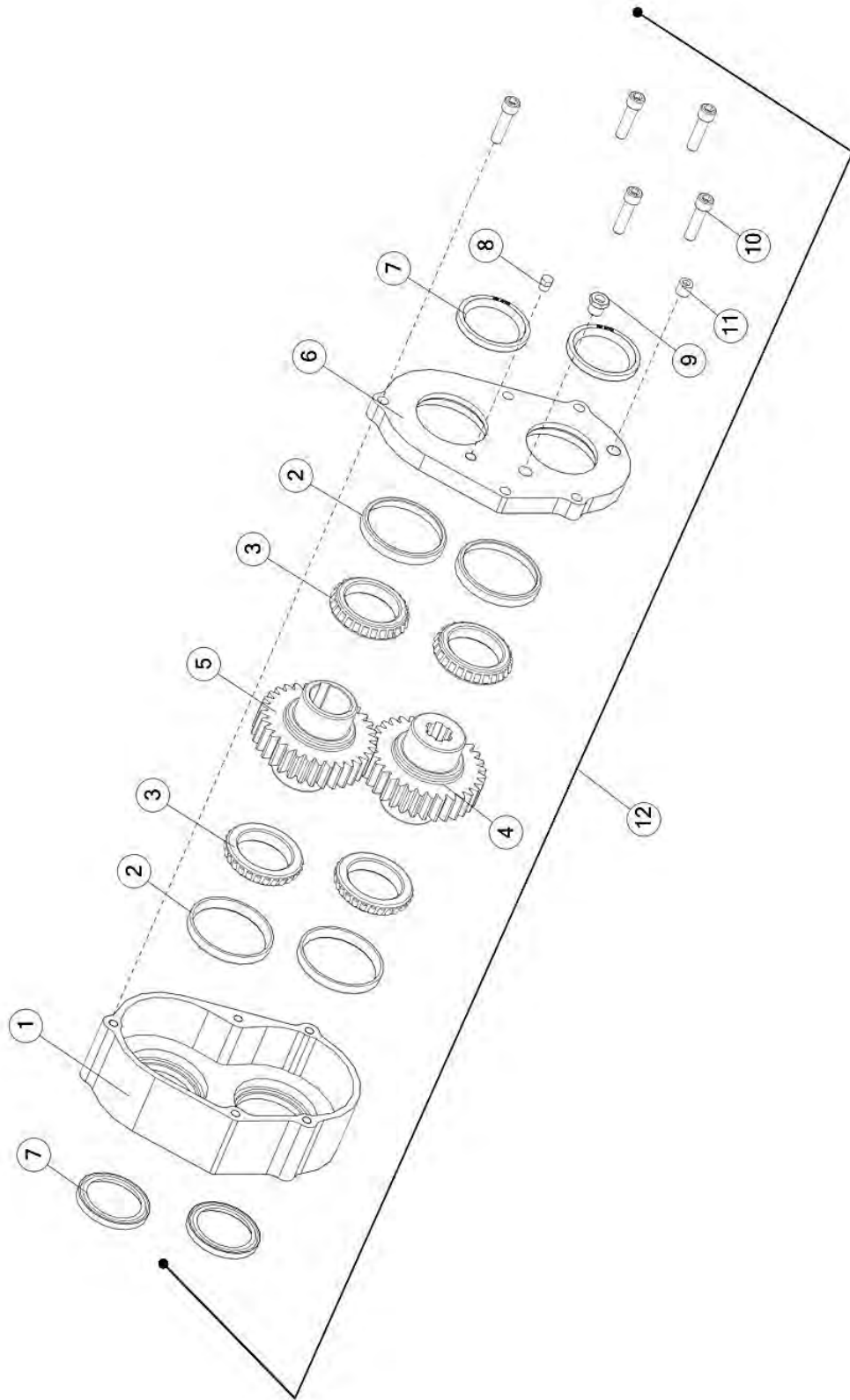
## FIGURE 22

### DRIVE CAM ASSEMBLY

<u>ITEM</u>	<u>QTY</u>	<u>PART #</u>	<u>DESCRIPTION</u>
1	58	SPMMS13	HAY STRIPPER
2	1	SPMPL04	CENTER HAY STRIPPER
3	2	0209WE06	KEYED HUB ASSY
4	240	YSHW10005	HWH TCS "F", 5/16-18 X 1
5	1	0209WE08	RIGHT SHAFT SPACER ASSEMBLY
6	6	YNFG16005	HEX NUT, FLANGED-LOCK, 1/2-13
7	1	0209TU08	LEFT SHAFT SPACER
8	1	8257	GREASE LINE FITTING, 90° ELBOW 5/32 O.D. x 1/4 UNF
9	2	TFM28	3/8 X 1-5/8 HARDENED KEY
10	6	YBCR16010	CARR. BOLT, 1/2 X 1-1/2 GR 5



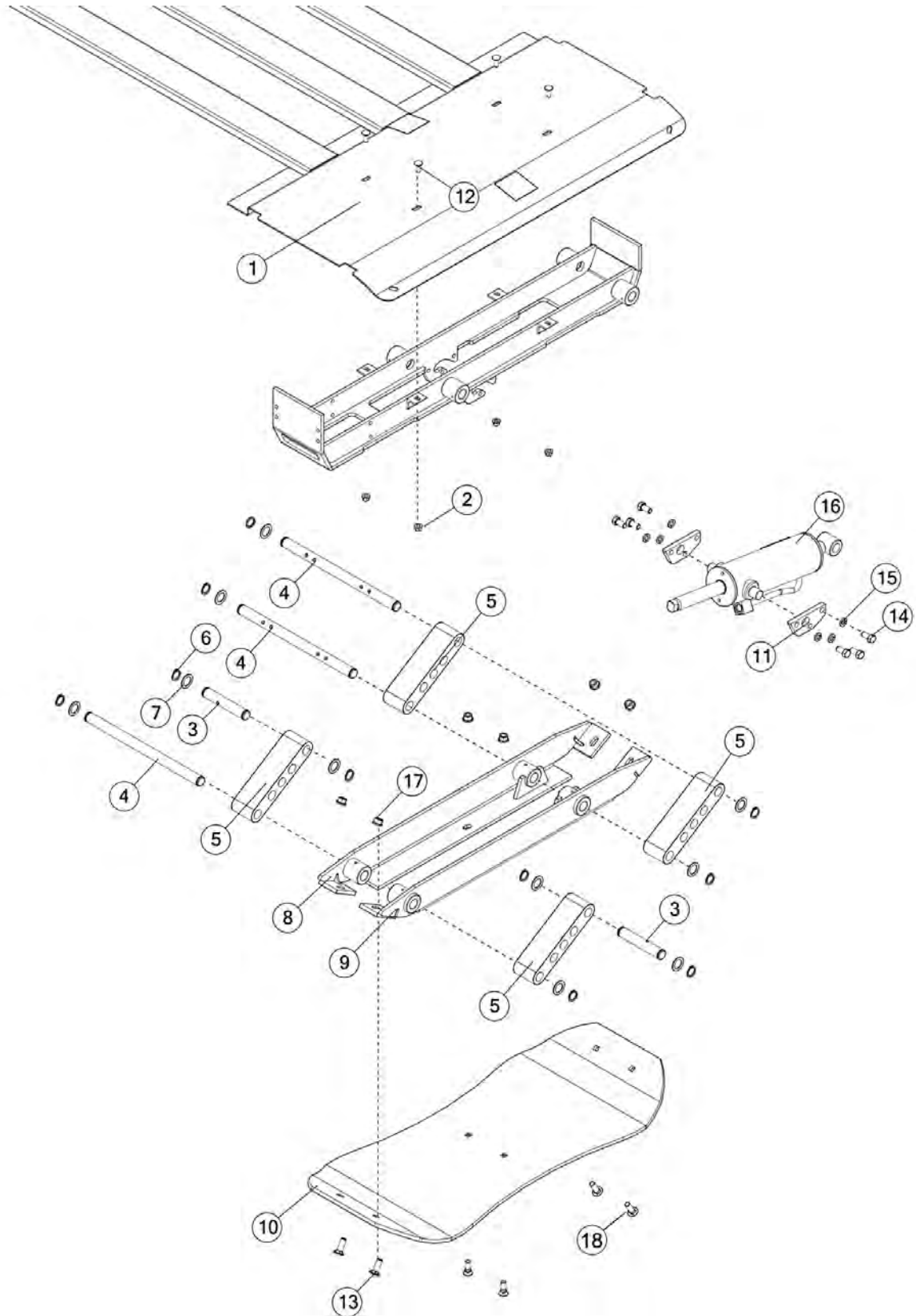
**FIGURE 23**  
**GEARBOX ASSEMBLY**



**FIGURE 23**  
**GEARBOX ASSEMBLY**

<b><u>ITEM</u></b>	<b><u>QTY</u></b>	<b><u>PART #</u></b>	<b><u>DESCRIPTION</u></b>
1	1	0209MS04	GEARCASE HOUSING
2	4	TFM33	BEARING RACE
3	4	TFM34	BEARING CONE
4	1	0209SH02	DRIVER GEAR
5	1	0209SH03	DRIVEN GEAR KEYED
6	1	0209HF06	GEAR CASE OUTER COVER
7	4	TFM35	GEARCASE SEAL
8	1	G67	PLUG-VENT 1/8 27 NPT
9	1	TFM32	1/4 NPT SIGHT GLASS (SVM-04)
10	1	YSHS12008	SOCKET HEAD CAP SCREW, 3/8-16 X 1-1/2
11	5	1141	1/4 PIPE PLUG
12	1	0209AS05	GEARBOX (COMPLETE)

# FIGURE 24 SKID SHOE LINKAGE



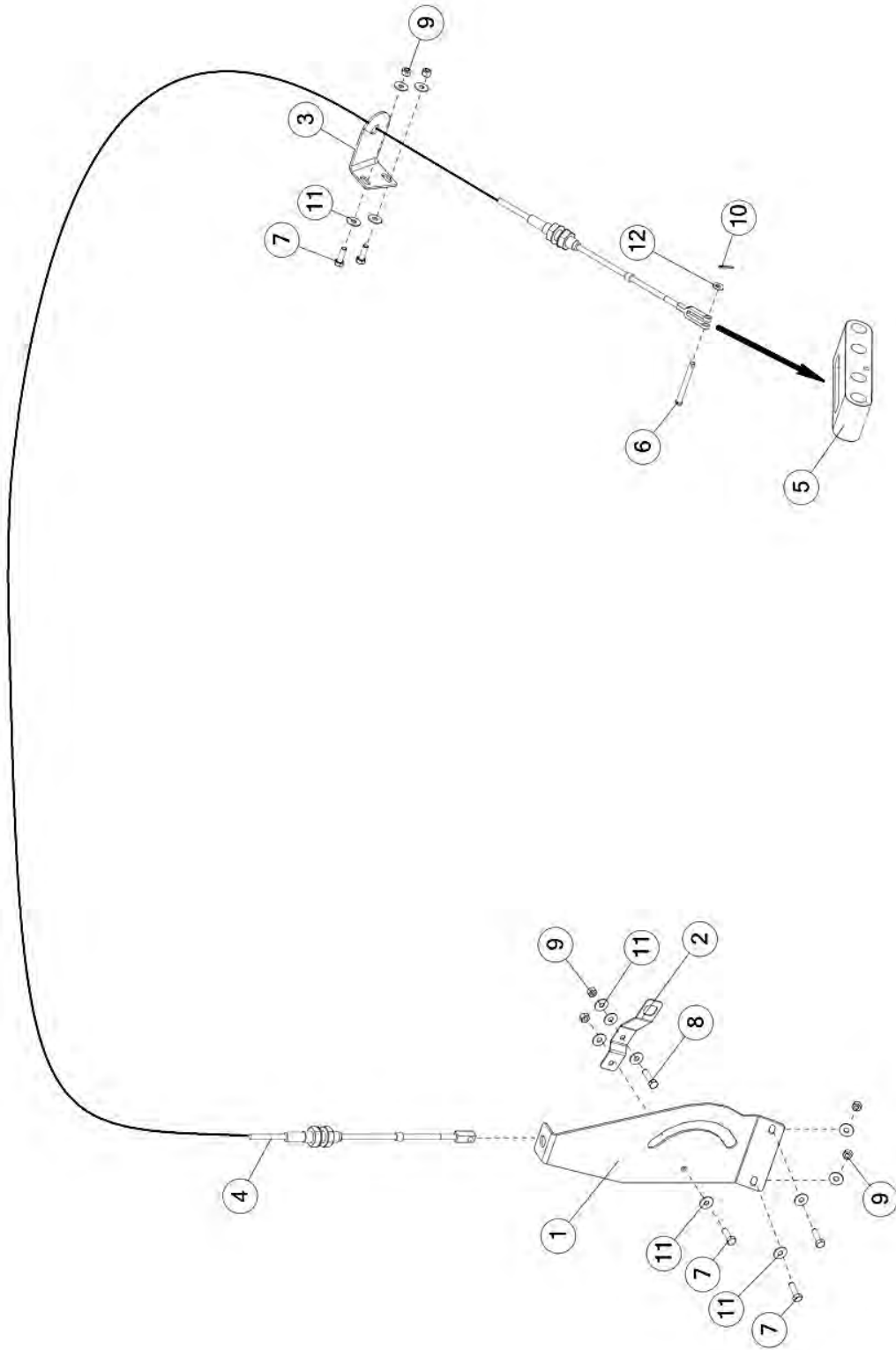
## FIGURE 24

### SKID SHOE LINKAGE

<u>ITEM</u>	<u>QTY</u>	<u>PART #</u>	<u>DESCRIPTION</u>
1	1	71353	WLDMT, BELTPAN
2	4	YNFG12005	SHOE BASE ASSM.
3	2	71058	PIN, TFM SHORT
4	3	71062	PIN, TFM LONG
5	3	71063	BRKT, SKID SHOE LINKAGE
*	1	71169	BRKT, SENSORED LINKAGE
6	10	71059	SNAP RING, 1.00 X .080, HD
7	10	YWFL32010	WASHER, FLAT, 1.5X1.0X .070, ZY
8	1	71324	WLDMT, SHOE BRKT A
9	1	71325	WLDMT, SHOE BRKT B
10	1	71098	SKID SHOE LARGE
11	2	57435	TRUNNION PLATE
12	4	YBCR12010	CARR. BOLT, 3/8 X 1 GR. 5
13	4	YBCR16010	CARR. BOLT, 1/2 X 1-1/2 GR 5
14	6	YBHH16010	BOLT, 1/2 X 1 GR 5
15	6	YWLO16005	WASHER, LOCK, 1/2
16	1	56490	SKID CYL. ASSY.
17	6	YNFG16005	HEX NUT, FLANGED, TOP LOCK, 1/2-20, GF, ZC
18	4	YBPL12015	BOLT, PLOW, 1/2-13X1.50, GR5, ZNC

**\* MEANS NOT SHOWN**

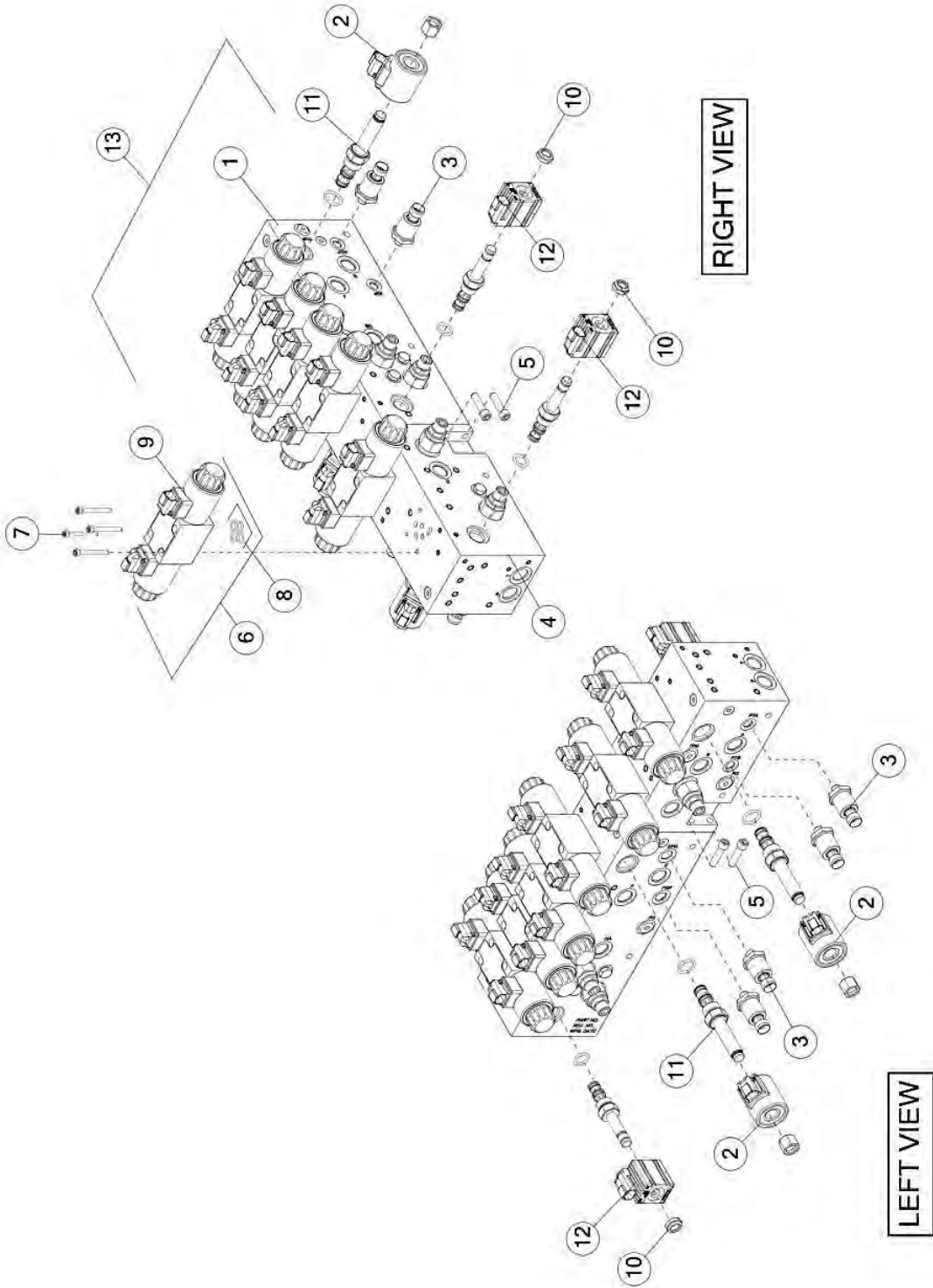
**FIGURE 25**  
**HEAD HEIGHT DIAL**



**FIGURE 25**  
**HEAD HEIGHT DIAL**

<b><u>ITEM</u></b>	<b><u>QTY</u></b>	<b><u>PART #</u></b>	<b><u>DESCRIPTION</u></b>
1	1	PTM10G54	PANEL
2	1	PTM14G11	BRACKET
3	1	71173	BRACKET, HEIGHT CABLE
4	1	TFM119	PUSH PULL CABLE BULKHEAD
5	1	71169	BRACKET, SENSORED LINKAGE
6	1	71170	PIN
7	5	YBHH10005	BOLT, 5/16 X 1 GR 2
8	1	YBHH10040	BOLT, 5/16 X 1-1/4 GR 2
9	6	YNL10005	HEX NUT, TOP LOCK, 5/16-18
10	1	YPCT03010	COTTER PIN, 3/32 X 3/4
11	13	YWFL10005	WASHER, FLAT, 5/16 USS
12	1	YWFL10010	WASHER, FLAT, 5/16" SAE GR. 8

**FIGURE 26**  
**MAIN VALVE**



## FIGURE 26

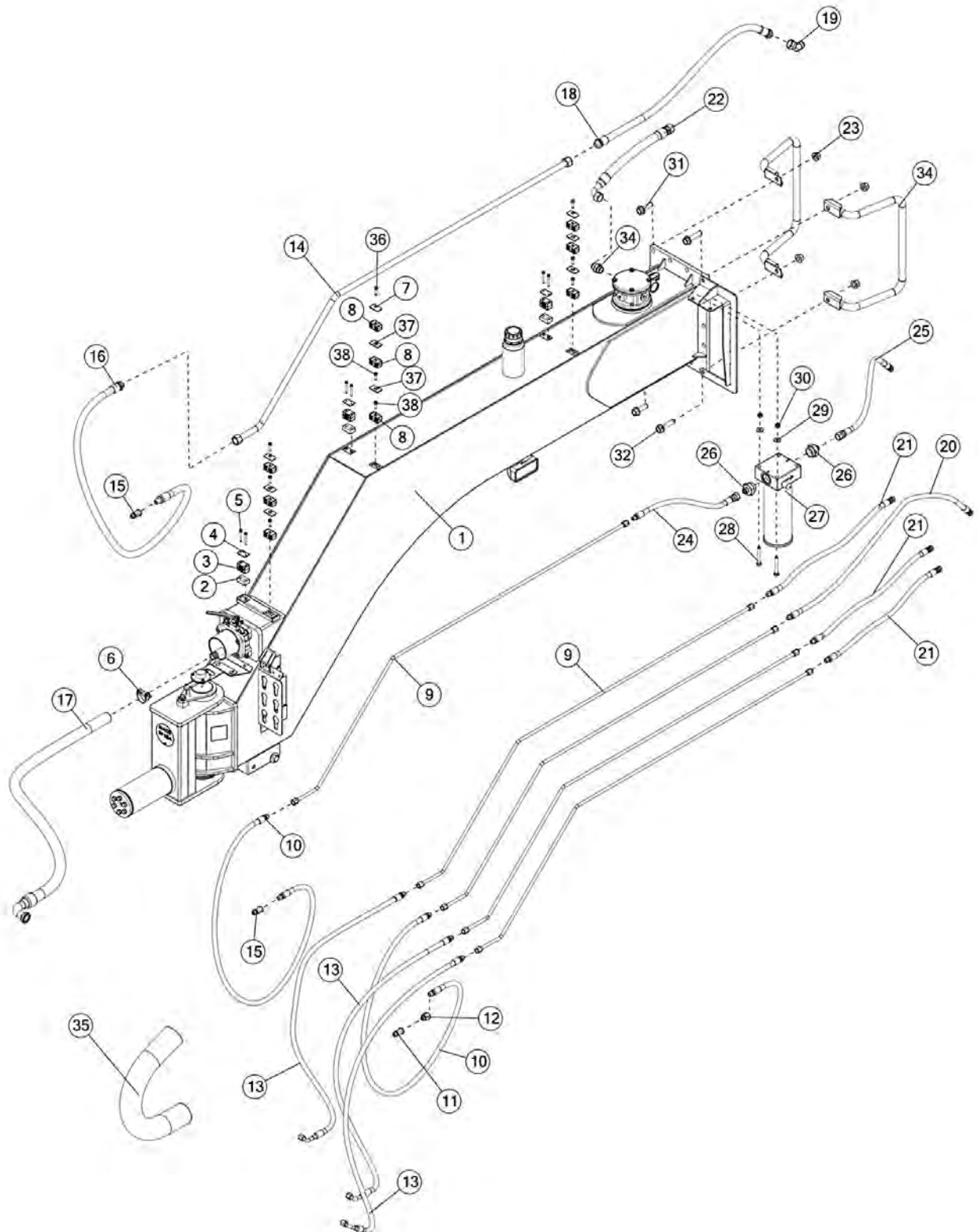
### MAIN VALVE

<u>ITEM</u>	<u>QTY</u>	<u>PART #</u>	<u>DESCRIPTION</u>
1	1	8052	FRONT MAIN VALVE BODY
2	3	8047	20 WATT PROPORTIONAL COIL
3	6	72559	7500 PSI PRESSURE TRANSDUCER
*	1	8051	SEAL, O-RING, PRESSURE
4	1	8053	REAR MAIN VALVE BODY
5	4	YSHS10010	SOCKET HEAD CAP SCREW, 5/16"-18 X 1-1/4"
*	1	8049	MAIN VALVE SEAL KIT (NOT SHOWN)
6	6	8044	DIRECTIONAL VALVE (COMPLETE)
7	24	YSHS64011	SOCKET HEAD CAP SCREW, #10-24 X 1-3/4"
8	6	8046	DIRECTIONAL VALVE SEAL KIT DIRECTIONAL
9	12	8042	1.65 AMP COIL
10	2	8050	COUNTER BALANCE DISABLE CARTRIDGE
11	3	8048	PROPORTIONAL CARTRIDGE
*	1	72558	SEAL KIT, (PROPORTIONAL CARTRIDGE)
12	2	8043	14 WATT COIL (COUNTER BALANCE
13	1	TFM62	DISABLE) VALVE (COMPLETE)
*	1	58801	SEAL KIT, SHUTTLE VALVE-CS041B

**\* MEANS NOT SHOWN**



# FIGURE 27 HYDRAULIC



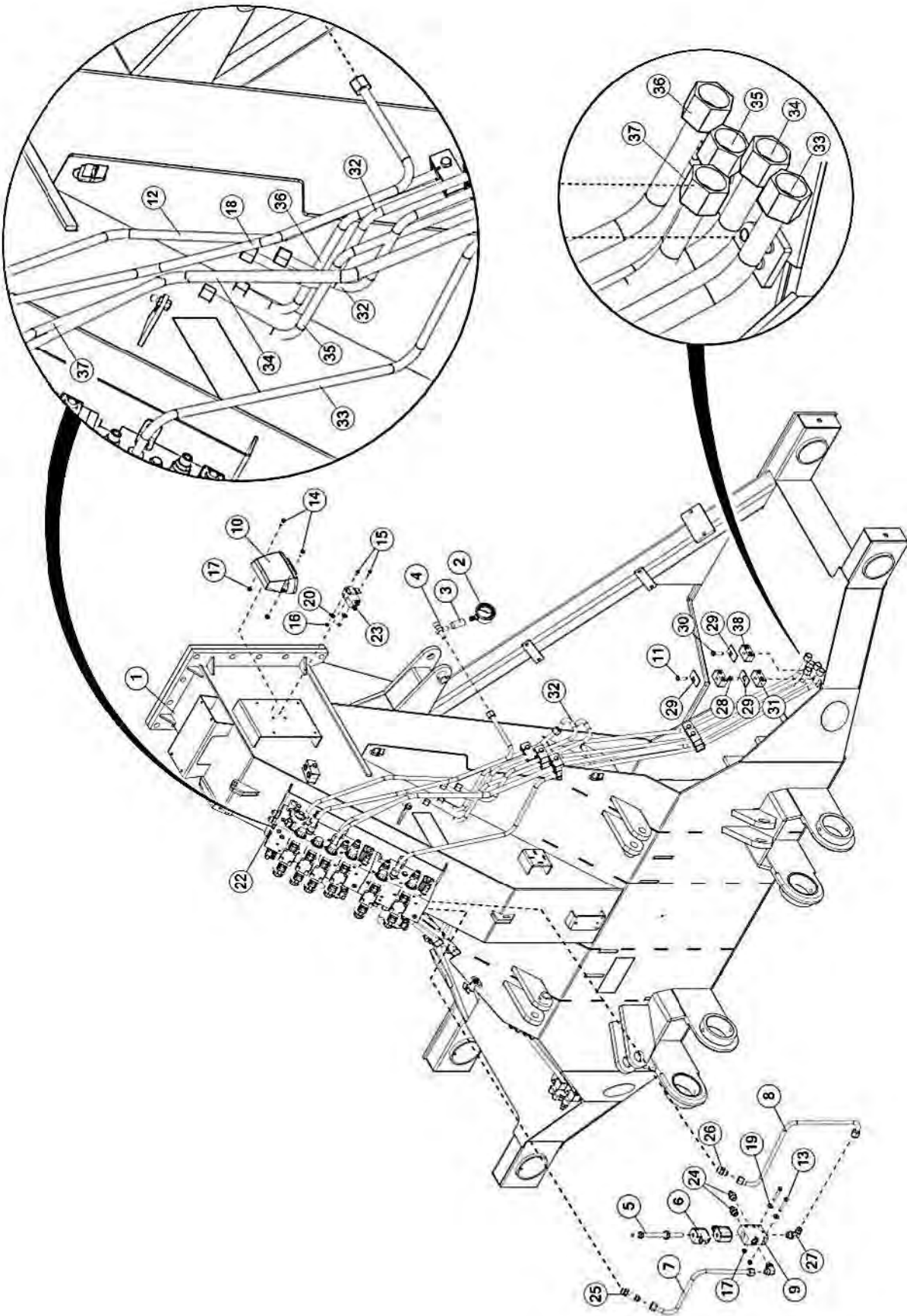
## FIGURE 27

### HYDRAULIC

<u>ITEM</u>	<u>QTY</u>	<u>PART #</u>	<u>DESCRIPTION</u>
1	1	PTMWE36	RESERVOIR
2	3	57213	SPACER
3	6	CHM286	1" TUBE CLAMP CUSHION
4	3	CHM283	TOP PLATE
5	6	YBHH08060	BOLT, 1/4 X 2-1/4 GR 5
6	1	DWM138	HOSE CLAMP, 1 1/4"
7	3	56563	CLAMP TOP PLATE
8	9	TS118	LINE CLAMP BLOCK
9	5	PTMMS02	RESERVOIR LINE 1/2"
10	2	PTMMS75	HYD HOSE, FLOAT CIRCUIT RESERVOIR LINE
11	1	1025	MALE QUICK COUPLER
12	1	1029	1/2 NPT TO 1/2 ORB ADAPTER
13	3	PTMMS76	PUMP TO POLE
14	1	PTMMS59	POLE LINE 1"
15	2	DWM205	MALE QUICK COUPLER S71-4P SAFEWAY HYD TIP
16	1	PTMMS74	HOSE TRAC. POLE REAR AXLE
17	1	PTMMS77	HOSE POLE TO PUMP
18	1	PTMMS73	W-RAISE, TUBE-TUBE
19	1	CHM267	16 TO 12 ADAPTOR 45 DEG ~ 16-V6X-S
20	1	PTMMS71	P&R TO MAIN VALVE
21	2	PTMMS72	TOP BLOCK FRONT
22	1	PTMMS70	HOSE, FILTER RETURN
23	4	YNFG24006	HEX NUT, FLANGED-LOCK, TOPLOCK GR. G- 3/4-10
24	1	59842	HOSE, FILTER IN
25	1	59849	HOSE, FILTER OUT
26	2	59646	STRAIGHT THREAD CONNECTOR
27	1	59474	FILTER PRESSURE
*	1	59992	FILTER ELEMENT
28	2	YBHH16115	BOLT, 1/2 X 3-1/2 GR 5
29	2	YWFL16005	WASHER, FLAT, 1/2 USS
30	2	YNTL16005	HEX NUT, TOP LOCK, 1/2-13
31	10	YBFB24010	BOLT, FLANGE, 3/4-10 X 2.750 GR8
32	4	YBFB24025	BOLT, FLANGE, HEX, 3/4"-10 X 3-1/4" GR 8
33	2	PTMWE95	PTM-DEFLECTOR BUMPER
34	1	TFM23	STRAIGHT THREAD CONNECTOR
35	1	GM32	SPIRAL WRAP
36	3	56568	CLAMP BOLT
37	6	56581	CLAMP TOP PLATE
38	6	56573	CLAMP STACKING BOLT

**\* MEANS NOT SHOWN**

**FIGURE 28**  
**RIGHT SIDE HYDRAULIC TUBE LINES & COMPONENTS**

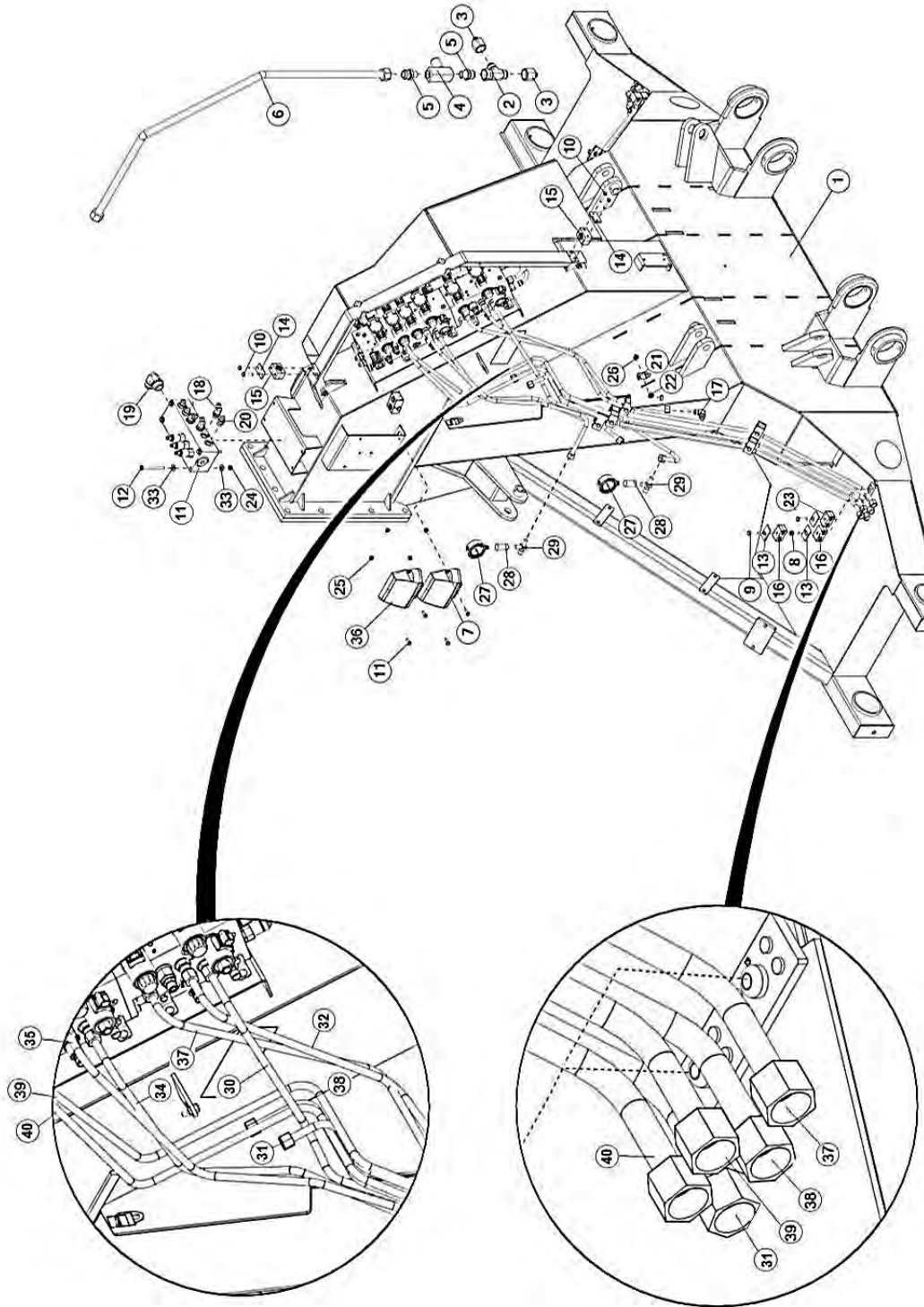


## FIGURE 28

### RIGHT SIDE HYDRAULIC TUBE LINES & COMPONENTS

<u>ITEM</u>	<u>QTY</u>	<u>PART #</u>	<u>DESCRIPTION</u>
1	1	PTMWE10	FRAME ASSM
2	1	61385	O-3000 PSI PRESSURE GAUGE
3	1	63333	1/2 TO 3/8-18 SWIVEL CONNECTOR
4	1	63336	SWIVEL RUN NUT TEE
5	1	TFM75	CARTRIDGE
6	2	TFM74	12 VDC COIL
7	1	70239	TUBE, RND, HYD, 0.50 X .065 X 24.75
8	1	70240	TUBE, RND, HYD, .50 X .065 X 17.75
9	1	TFM73	STEERING VALVE BLOCK
10	1	TFM58	SLAVE CONTROL MODULE
11	4	56568	CLAMP BOLT
12	1	PTMMS30	RIGHT FLOAT RETURN LINE (PORT K)
13	2	YBHH08045	BOLT, 1/4 X 2 GR 5
14	2	YBHH08100	BOLT, 1/4 X 3/4 GR 5
15	2	YSPP64005	PHILLIPS PAN HEAD TYPE, 10-32 X 1/2"
16	2	YNHX64010	#10-24 HEX NUT, ZINC
17	4	YNSF08005	1/4-20 SERRATED FLANGE NUT
18	1	PTMMS31	RIGHT FLOAT PRESSURE LINE (PORT J)
19	2	YWFL08005	WASHER, FLAT, 1/4 USS
20	2	YWSI64005	WASHER, LOCK, STAR, INTERNAL/EXTERNAL, #10 (ZINC)
21	1	PTMWE61	SHIELD HING ASSY
22	1	PTMAS62	MAIN VALVE WITH FITTINGS
23	1	TFM101	12V CONTACTOR
24	2	CHM207	3/8 X 3/4 16 ORB STRAIGHT FITTING
25	1	TFM107	STRAIGHT THREAD CONNECTOR LONG
26	1	TFM38	STRAIGHT THREAD CONNECTOR
27	1	TS135	8-C5OX-S FITTING
28	4	56513	CLAMP STACKING BOLT
29	8	56563	CLAMP TOP PLATE
30	3	56568	CLAMP BOLT
31	11	TS118	LINE CLAMP BLOCK ( PART OF T2008S)
32	2	PTMMS29	CENTER HEAD PICKUP PRESSURE/RETURN LINE
33	1	PTMMS33	HEAD HEIGHT RETURN LINE (PORT D)
34	1	PTMMS28	RIGHT FOLD ROD END LINE(PORT GB)
35	1	PTMMS69	RIGHT HEAD PRESSURE LINE
36	1	PTMMS27	RIGHT HEAD RETURN LINE
37	1	PTMMS26	RIGHT FOLD BASE END LINE (PORT GA)
38	3	63332	LINE CLAMP BLOCK

# FIGURE 29 LEFT SIDE HYDRAULIC TUBE LINES & COMPONENTS



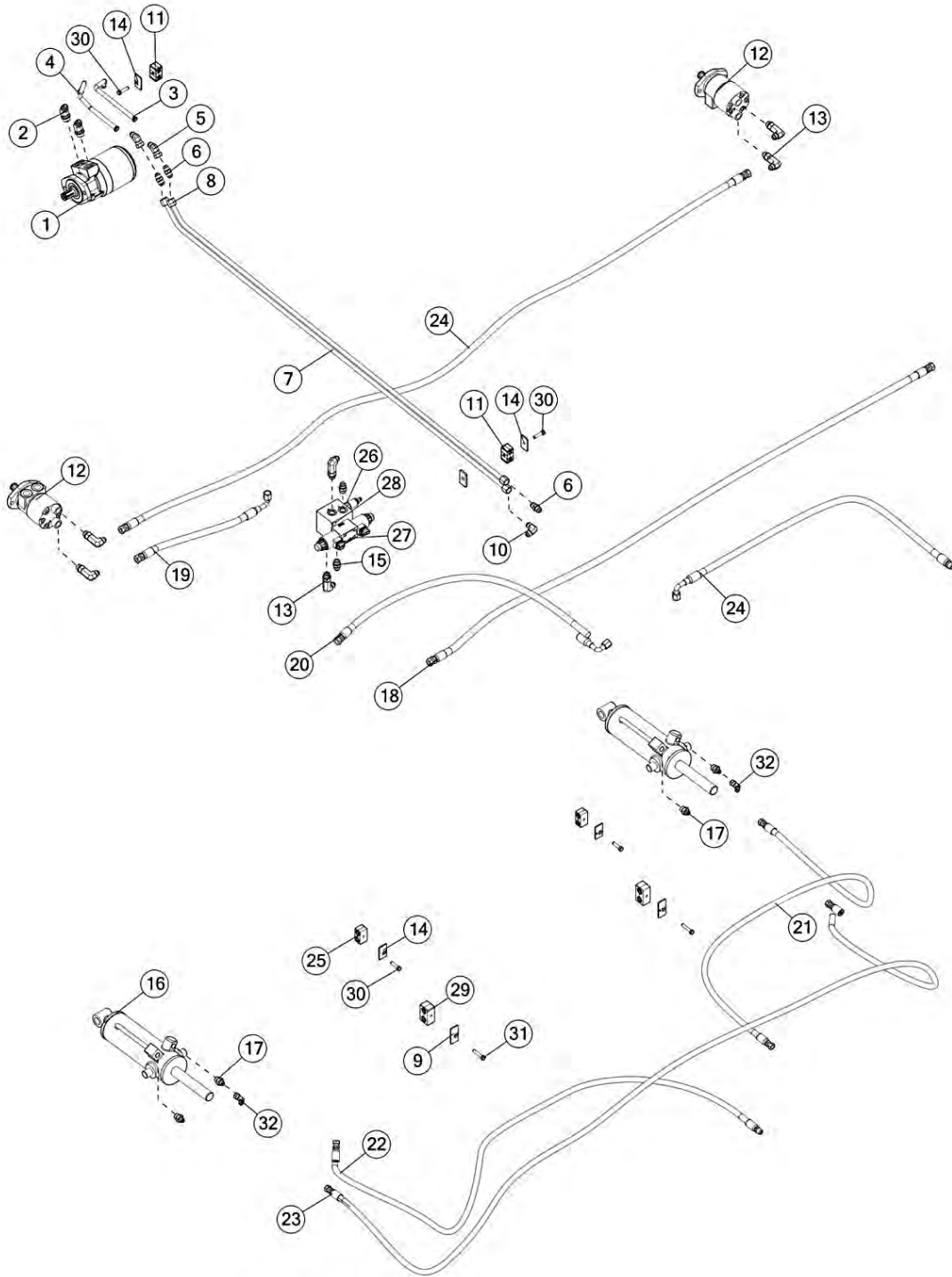
## FIGURE 29

### LEFT SIDE HYDRAULIC TUBE LINES & COMPONENTS

<u>ITEM</u>	<u>QTY</u>	<u>PART #</u>	<u>DESCRIPTION</u>
1	1	PTMWE10	FRAME ASSM
2	1	CHM182	SWIVEL NUT RUN TEE
3	2	TFM67	REDUCER
4	1	TFM79	F1200S/1A865 NEEDLE VALVE PARKER
5	2	TFM80	NPTF / 37 FLARE
6	1	PTMMS18	REAR LIFT LINE
7	1	TFM58	SLAVE MODULE
8	3	56513	CLAMP STACKING BOLT
9	8	56568	CLAMP BOLT
10	4	YBHH08025	BOLT, 1/4 X 1-1/2 GR 5
11	1	TFM61	RELEIF MANIFOLD
12	4	YBHH10112	BOLT, 5/16-18 X 3-3/4 GR 5
13	9	56563	CLAMP TOP PLATE
14	2	CHM283	TOP PLATE
15	2	CHM286	1" TUBE CLAMP CUSHIONS
16	11	TS118	LINE CLAMP BLOCK
17	1	1142	UNION ELBOW
18	1	8012	45 DEGREE STR THREAD ELBOW 37 DEGREE FLARE/ SAE-ORB
19	1	BBS52	STRAIGHT THREAD ELBOW
20	1	TFM38	STRAIGHT THREAD CONNECTOR
21	2	PTM10G48	SHEILD CLIP
22	1	YBCR10003	5/16-18x0.625, CARRIAGE BOLT
23	3	63332	LINE CLAMP BLOCK
24	5	YNHX10010	HEX NUT, 5/16-18 GR 5
25	4	YNSF08005	1/4-20 SERRATED FLNG NUT BIN STOCKED
26	2	YNSF10005	5_16-18, SERRATED HEX FLANGE NUT
27	2	61385	O-3000 PSI PRESSURE GAUGE
28	2	63333	1/2 TO 3/8-18 SWIVEL CONNECTOR
29	2	63336	SWIVEL RUN NUT TEE
30	1	PTMMS34	CENTER FLOAT PRESSURE LINE (PORT A)
*	1	PTMMS118	HYD HOSE MANIFOLD TO LEFT PICKUP RETURN LINE
*	5	PTMMS119	HYD HOSE MANIFOLD TO PICKUP PRESSURE & RETURN LINES
31	1	PTMMS68	LEFT HEAD RETURN LINE
32	1	PTMMS40	CENTER FLOAT RETURN LINE (PORT B)
33	8	YWFL10005	WASHER, FLAT, 5/16 USS
34	1	PTMMS36	LEFT FLOAT RETURN LINE (PORT F)
35	1	PTMMS35	LEFT FLOAT PRESSURE LINE
36	1	TFM57	MASTER CONTROL MODULE
37	1	PTMMS37	HEAD HEIGHT PRESSURE LINE (PORT C)
38	1	PTMMS67	LEFT HEAD PRESSURE LINE (PORT E)
39	1	PTMMS39	LEFT FOLD BASE END LINE (PORT HB)
40	1	PTMMS38	LEFT FOLD ROD END LINE (PORT HA)

\* MEANS NOT SHOWN

# FIGURE 30 PICKUP HYDRAULICS



## FIGURE 30

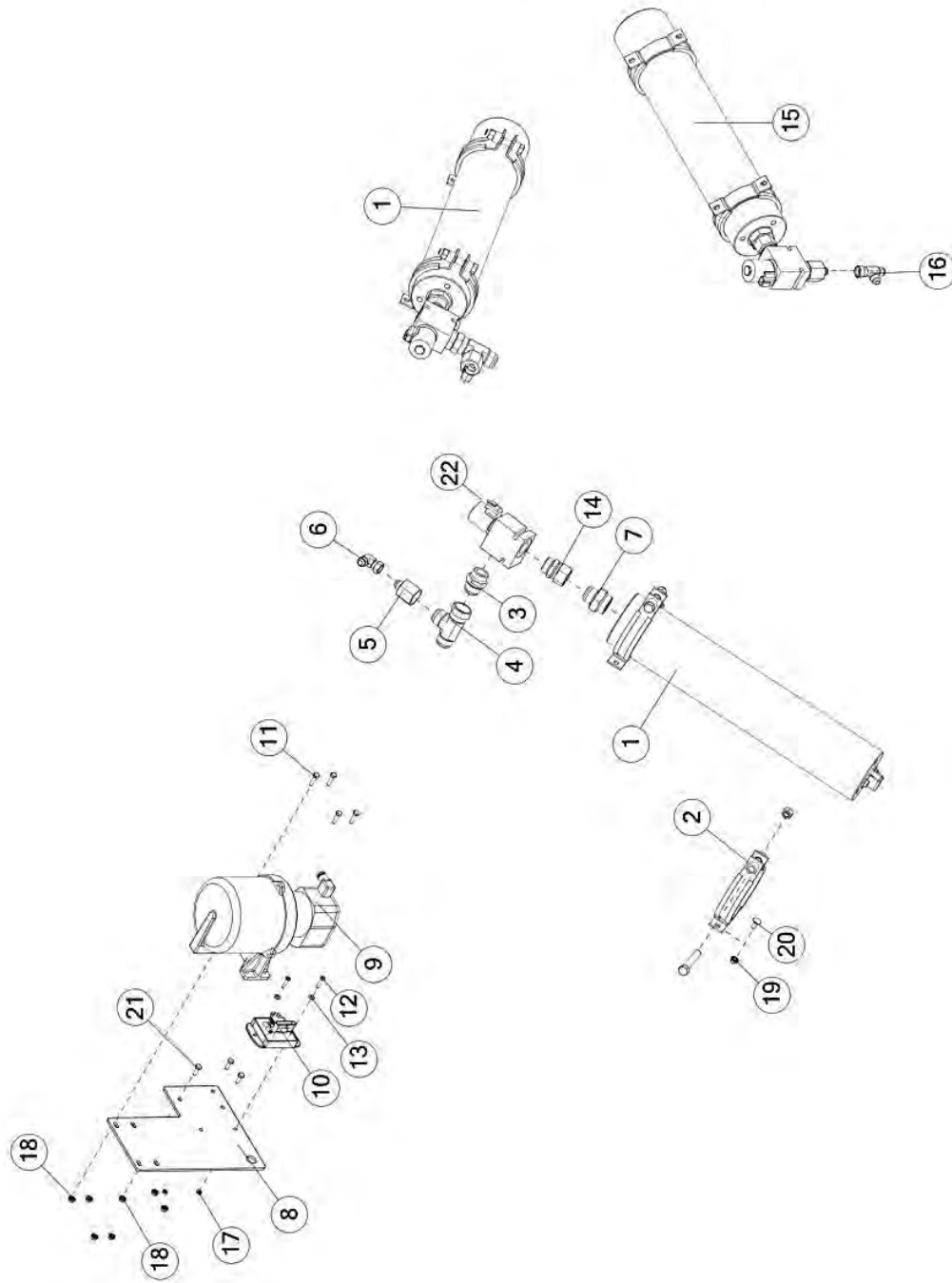
### PICKUP HYDRAULICS

<u>ITEM</u>	<u>QTY</u>	<u>PART #</u>	<u>DESCRIPTION</u>
1	1	59145	PICKUP MOTOR
*	A/R	8661	PICKUP MOTOR SEAL KIT
2	2	GM29	STR THD 45 DEG ELBOW
3	1	0209MS01	UPPER CAM LINE
4	1	0209MS06	LOWER CAM LINE
5	2	TFM40	45 8-8 JIC
6	3	GM17	ADAPTER 8 HTX-S
7	1	0209MS02	BOTTOM LINE
8	1	0209MS03	TOP LINE
9	2	56564	CLAMP TOP PLATE
10	1	1142	UNION ELBOW 90°
11	2	TS118	LINE CLAMP BLOCK
12	2	TFM46	CROSS CONVEYOR MOTOR
*	A/R	8662	CROSS CONVEYOR MOTOR SEAL KIT
13	6	TFM47	LONG STR THREAD ELBOW
*	1	TS135	8-C5OX-S FITTING
14	4	56563	CLAMP TOP PLATE
15	2	TFM38	STRAIGHT THREAD CONNECTOR
16	2	56358	SKID CYLINDER
*	A/R	8232	SKID CYLINDER SEAL KIT
17	4	CHM207	3/8 X 3/4 16 ORB STRAIGHT FITTING
18	1	PTMMS99	HYD HOSE-VALVE B TO RIGHT MOTOR B
*	1	PTMMS100	HYD HOSE-VALVE B TO RIGHT MOTOR B (RIGHT HEAD ONLY)
19	1	PTMMS97	HYD HOSE-LEFT MOTOR A TO VALVE A
*	1	PTMMS98	HYD HOSE-LEFT MOTOR A TO VALVE A (RIGHT HEAD ONLY)
20	1	PTMMS109	HYD HOSE-VALVE P TO PICKUP RETURN LINE
21	1	56487	HYD HOSE-RT SKID SHOE CYL ROD TO FRAME
22	1	56488	HYD HOSE-LT SKID SHOE CYL BASE TO FRAME
23	1	56489	HYD HOSE-LEFT SKID SHOE CYL ROD TO RIGHT SKIDSHOE CYL BASE HYD
24	1	PTMMS84	HOSE-LEFT MOTOR B TO RIGHT MOTOR A
*	1	PTMMS101	HYD HOSE-VALVE T TO BASE MACHINE TUBELINE
*	1	PTMMS108	HYD HOSE-VALVE T TO BASE MACHINE TUBELINE (CENTER HEAD ONLY)
*	1	PTMMS102	HYD HOSE-PICKUP HEAD PRESSURE TO BASE MACHINE
*	1	PTMMS107	HYD HOSE-PICKUP HEAD PRESSURE TO BASE MACHINE
*	1	70199	HOSE ASSM, HYD, 3, JIC, JIC
*	1	PTMMS83	HYD HOSE-OUTSIDE SKID SHOE TO CENTER SKID SHOE
25	2	CHM278	3/8 TWO LINE CLAMP BLOCK
26	A/R	8564	RELIEF CARTRIDGE
27	A/R	8561	DIRECTIONAL VALVE
28	A/R	8565	MANIFOLD, DIRECTIONAL CONTROL VALVE
29	2	56596	CLAMP CUSHION
30	3	56568	CLAMP BOLT
31	2	56569	CLAMP BOLT
32	6	60062	FITTING, SWIVEL NUT ELBOW, 3/8

\* MEANS NOT SHOWN



# FIGURE 31 ACCUMULATORS & GREASE SYSTEM



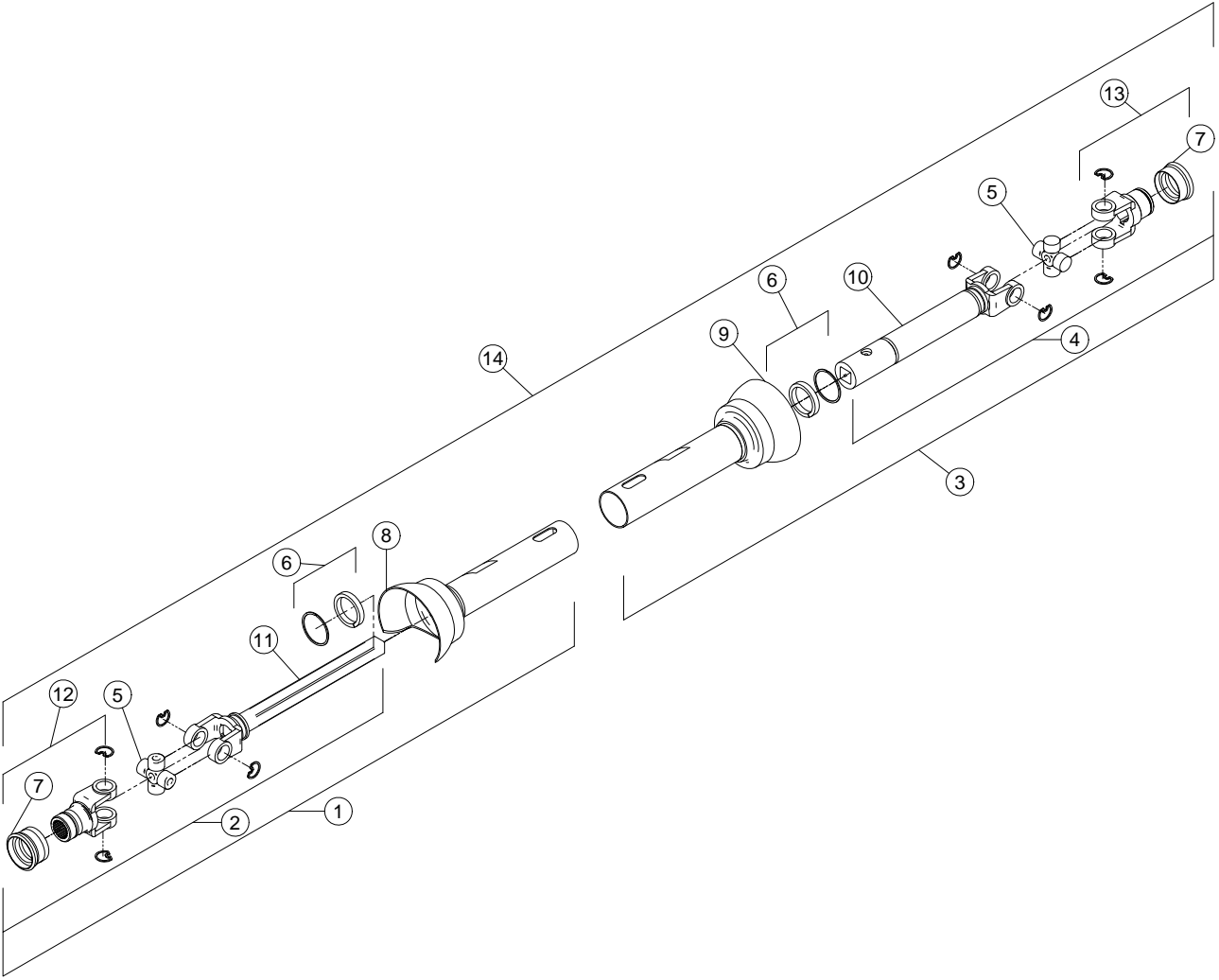
## FIGURE 31

### ACCUMULATORS & GREASE SYSTEM

<u>ITEM</u>	<u>QTY</u>	<u>PART #</u>	<u>DESCRIPTION</u>
1	2	TFM59	WING ACCUMULATOR
*	2	TFM85	WING ACCUMULATOR
2	6	TFM60	ACCUMULATOR CLAMP ASSM
3	3	TFM23	STRAIGHT THREAD CONNECTOR
4	2	CHM182	SWIVEL NUT RUN TEE
5	3	TFM67	REDUCER
6	2	TFM83	90° ELBOW
7	3	8008	3/8 NPT MALE TO MALE ELBOW
8	1	PTM6G40	POWER LUBE ADAPTER PANEL
9	1	TFM95	POWER LUBE ASSEMBLY
*	1	56117	GREASE SYSTEM ELECTRICAL HARNESS
*	2	8649	GREASE LINE PUSH IN UNION
*	A/R	8256	4mm POWER LUBE BULK GREASE LINE 4.5m (15')
*	A/R	8257	POWER LUBE FITTING, 90°, 5/32 OD X 1/4 UNF
*	A/R	8258	POWER LUBE FITTING, STRAIGHT, 5/32 OD X 5/16 UNF
*	A/R	8259	POWER LUBE FITTING, 90°, 5/32 OD X 1/8 NPT
*	A/R	54573	POWER LUBE FITTING, STRAIGHT, 5/32 OD X M6 X 1
*	A/R	54572	POWER LUBE FITTING, STRAIGHT, 5/32 OD X 1/4 UNF
10	1	69908	MODULE, CONTROL, BLINKER
11	4	YBHH08010	HEX BOLT 1/4"-20 X 1" GR. 5
12	2	YSPP64010	#10-32 X 1" PHILLIPS HEAD MACHINE SCREW
13	5	YWLO08005	WASHER, LOCK, 1/4
14	3	TFM81	STRAIGHT THREAD CONNECTOR SWIVEL
15	1	TFM86	CENTER ACCUMULATOR
16	1	TFM82	SWIVEL RUN TEE
17	2	YNHX64005	HEX NUT, #10-32
18	4	YNSF08005	1/4-20 SERRATED FLNG NUT BIN STOCKED
19	6	YNSF10005	HEX NUT, SERRATED FLANGE, 5/16"-18
20	6	YBCR10030	CARR, BOLT, 5/16"-18 X 3/4" GR 5
21	3	YBHH08100	BOLT, 1/4-20 X 3/4 GR 5
22	3	TFM76	
*	*	8586	ACCUMULATOR SHUTOFF COIL

\* MEANS NOT SHOWN

**FIGURE 32**  
**PTO ASSEMBLY SHORT**

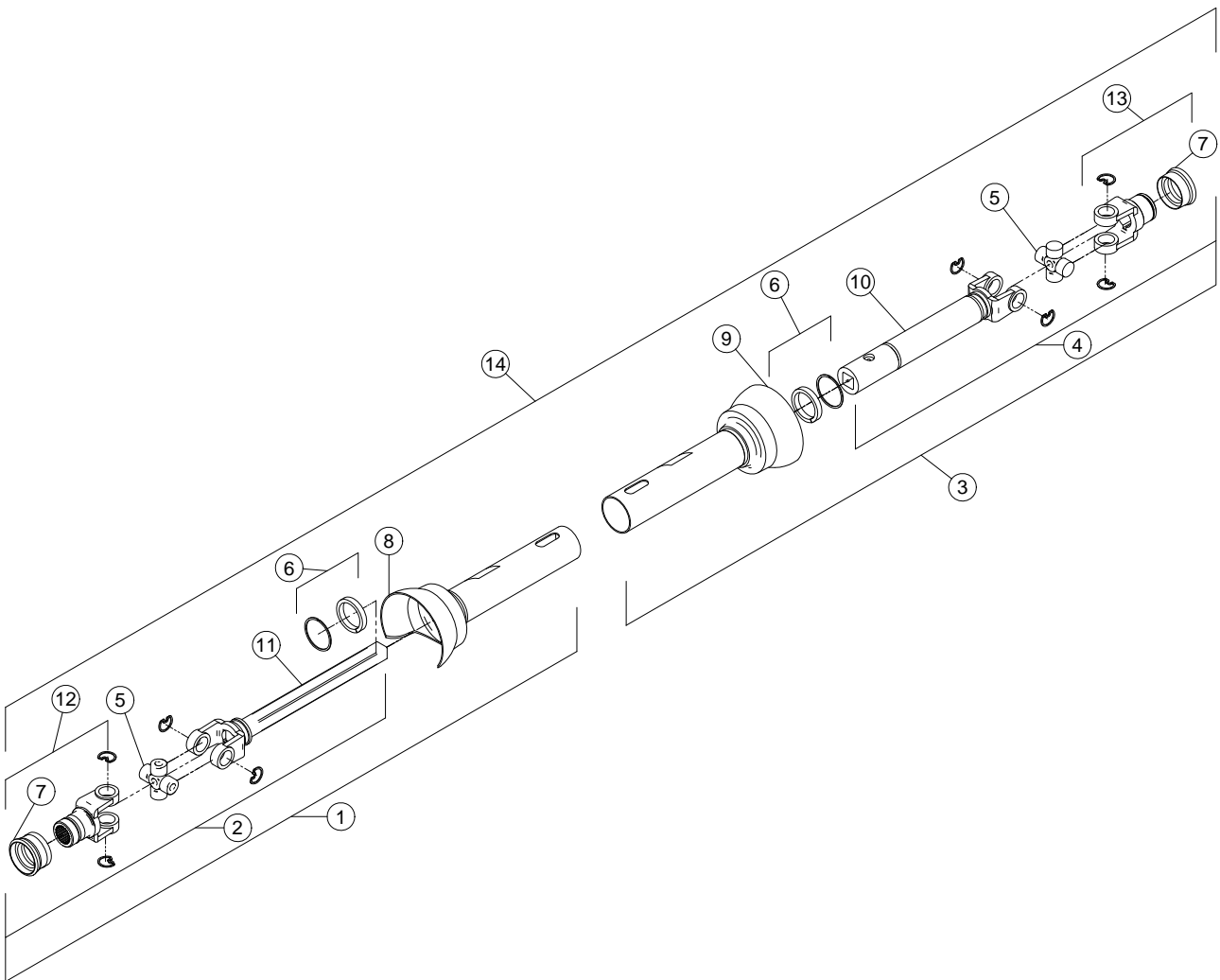


## FIGURE 32

### PTO ASSEMBLY SHORT

<u>PART #</u>				
<u>ITEM</u>	<u>QTY</u>	<u>1-3/8 21 SPLINE</u>	<u>OPT. 1-3/4 20 SPLINE</u>	<u>DESCRIPTION</u>
1	1	55862	8581	YOKE & SHAFT HALF ASSEMBLY W/ GUARD
2	1	55863	8582	YOKE & SHAFT HALF ASSEMBLY
3	1	55859	"	YOKE & TUBE HALF ASSEMBLY W/ GUARD
4	1	8580	"	YOKE & TUBE HALF ASSEMBLY
5	2	55858	"	CROSS & BEARING KIT (14E)
6	2	55861	"	GUARD REPAIR KIT
7	2	S225	"	SPRING LOCK REPAIR KIT
8	1	55864	"	OUTER GUARD
9	1	23N156	"	INNER GUARD
10	1	23N155	"	YOKE, TUBE AND SLIP SLEEVE
11	1	23N159	"	YOKE & SHAFT
12	1	37N73	55860	SPRING LOCK & YOKE ASSEMBLY
13	1	23N162	"	SPRING LOCK & YOKE ASSEMBLY
14	1	TFM98	TFM100	PTO (COMPLETE)

**FIGURE 33**  
**PTO ASSEMBLY LONG**

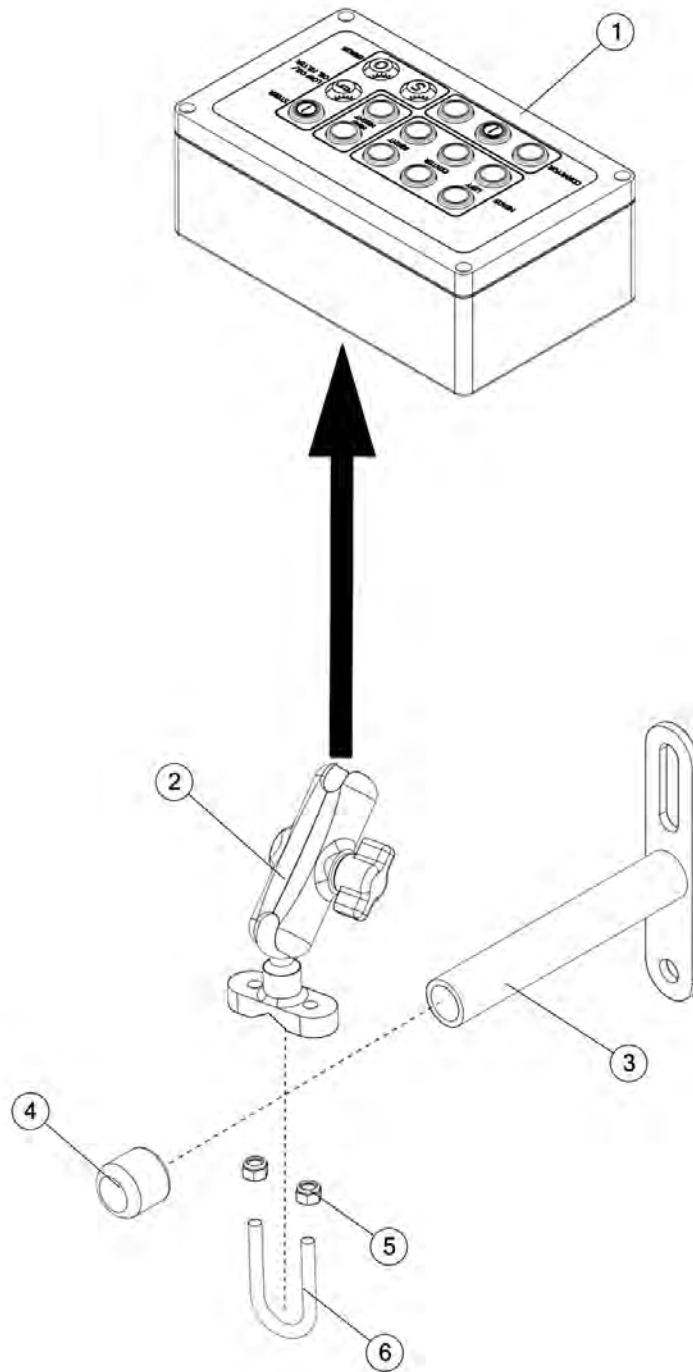


# FIGURE 33

## PTO ASSEMBLY LONG

		<u>PART #</u>		
<u>ITEM</u>	<u>QTY</u>	<u>1-3/8 21 SPLINE</u>	<u>OPT. 1-3/4 20 SPLINE</u>	<u>DESCRIPTION</u>
1	1	60097	60096	YOKE & SHAFT HALF ASSEMBLY W/ GUARD
2	1	60099	60098	YOKE & SHAFT HALF ASSEMBLY YOKE & TUBE HALF ASSEMBLY W/ GUARD
3	1	55859		YOKE & TUBE HALF ASSEMBLY
4	1	8580		CROSS & BEARING KIT (14E)
5	2	55858		NYLON REPAIR KIT
6	2	16SV181		SPRING LOCK REPAIR KIT
7	2	S225		OUTER GUARD
8	1	60100		INNER GUARD
9	1	23N156		YOKE, TUBE AND SLIP SLEEVE
10	1	23N155		YOKE & SHAFT
11	1	60095		SPRING LOCK & YOKE ASSEMBLY
12	1	37N73	55860	SPRING LOCK & YOKE ASSEMBLY
13	1	23N162		PTO (COMPLETE)
14	1	56338	56337	

**FIGURE 34**  
**CONTROL BOX**



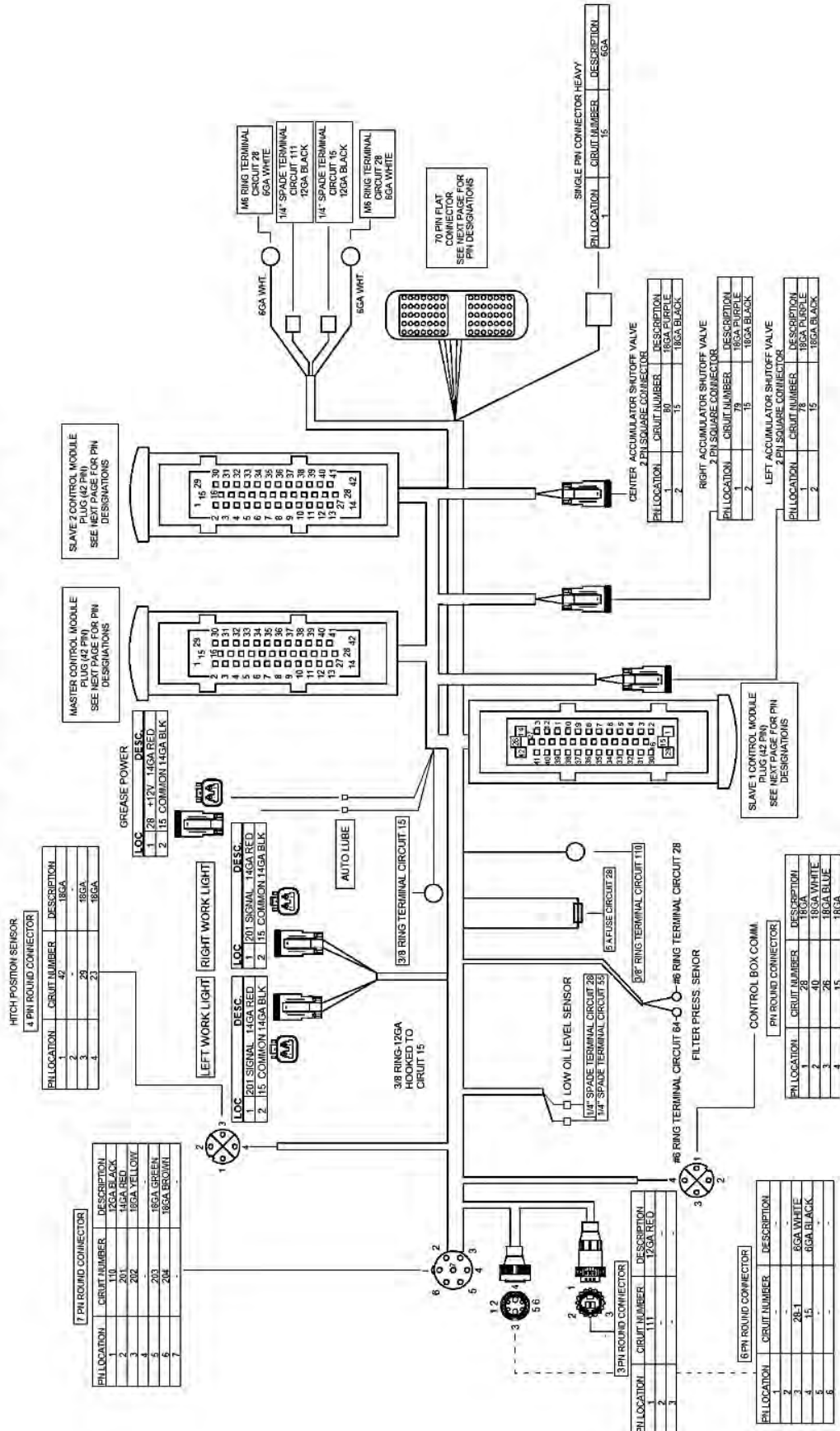
**FIGURE 34**  
**CONTROL BOX**

<b><u>ITEM</u></b>	<b><u>QTY</u></b>	<b><u>PART #</u></b>	<b><u>DESCRIPTION</u></b>
1	1	TFM102	CONTROL BOX (COMPLETE)
2	1	TFM105	SWIVEL MOUNT ASSY
3	1	PTMWE66	CONTROL BOX BRACKET ASSY
4	1	TFM104	PLUG
5	2	YNNY08005	HEX NUT, NYLON LOCKNUT, 1/4-20
6	2	YBPU08003	1/4"-20 X 1/2" PIPE SIZE U- BOLT



# FIGURE 35 (PART 1 OF 2) FRONT WIRING HARNESS P/N: PTM1

## FRONT WIRE HARNESS P/N: PTM1



# FIGURE 35 (PART 2 OF 2)

## FRONT WIRING HARNESS P/N: PTM1

### PTM1 CONNECTOR PIN DESIGNATIONS

MASTER CONTROL MODULE PLUG 14-2 P/N		
P/N LOCATION	CIRCUIT NUMBER	DESC.
1	-	-
2	2	18 GA BLUE
3	3	18 GA BLUE
4	4	18 GA BLUE
5	5	18 GA BLUE
6	-	-
7	7	18 GA PURPLE
8	8	18 GA BLUE
9	9	18 GA BLUE
10	10	18 GA BLUE
11	11	18 GA BLUE
12	12	DATA + GREEN
13	13	DATA - RED
14	14	-
15	15	14 GA BLACK
16	16	18 GA BROWN
17	17	18 GA BROWN
18	18	18 GA BROWN
19	19	18 GA BROWN
20	20	18 GA PURPLE
21	21	18 GA PURPLE
22	22	18 GA PURPLE
23	23	18 GA PURPLE
24	-	-
25	-	-
26	26	18 GA YELLOW
27	27	18 GA WHITE
28	28	14 GA RED
29	29	14 GA BLACK
30	-	-
31	-	-
32	-	-
33	33	18 GA BROWN
34	34	18 GA PURPLE
35	35	18 GA PURPLE
36	36	18 GA PURPLE
37	-	-
38	-	-
39	-	-
40	40	18 GA GREEN
41	41	18 GA BLUE
42	42	14 GA RED/BLACK

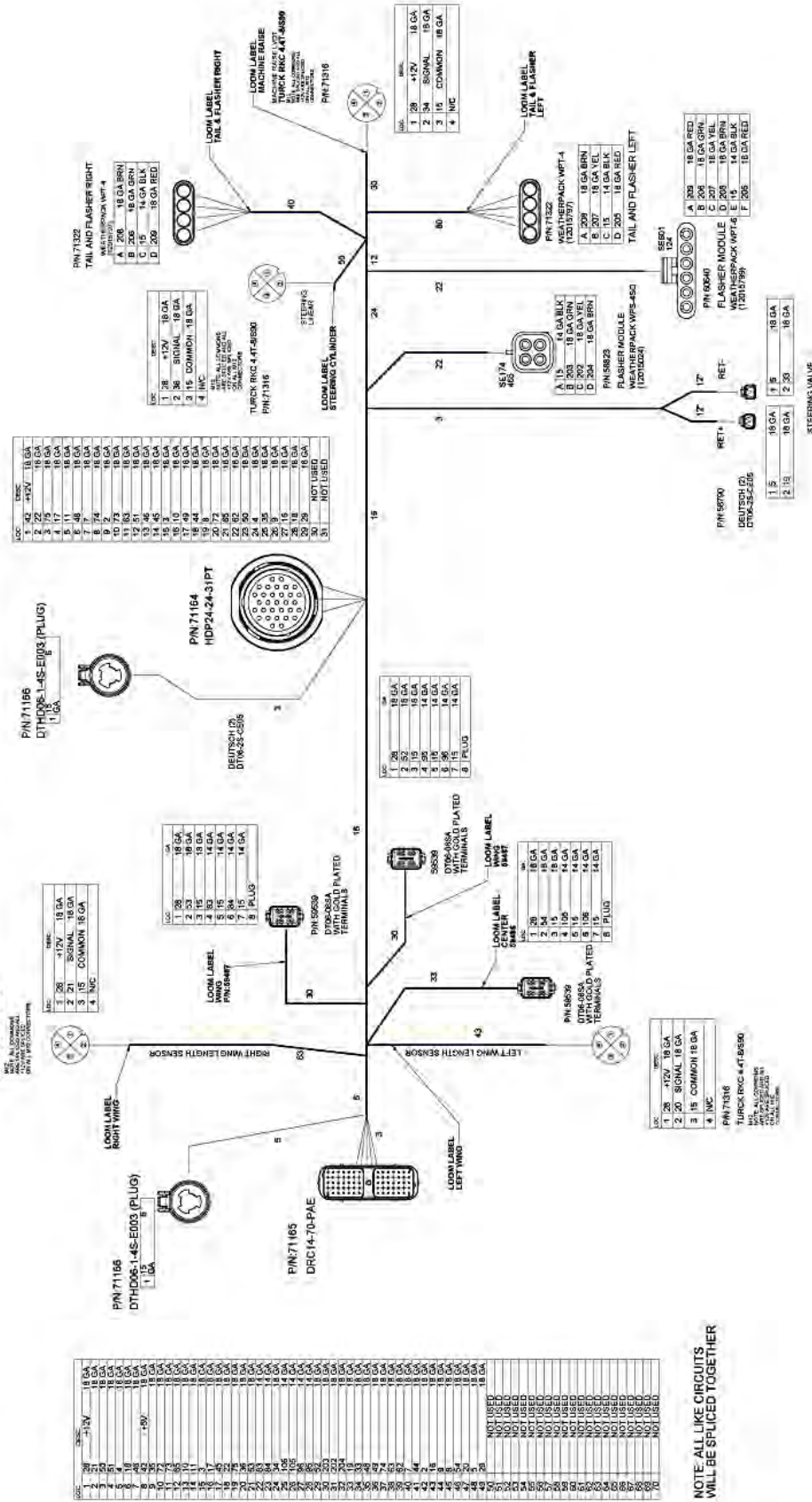
SLAVE 1 MODULE PLUG 14-2 P/N		
P/N LOCATION	CIRCUIT NUMBER	DESC.
1	43	ADDRESS
2	44	18 GA BLUE
3	45	18 GA BLUE
4	46	18 GA BLUE
5	-	-
6	48	18 GA BLUE
7	49	18 GA BLUE
8	50	18 GA BLUE
9	51	18 GA BLUE
10	52	18 GA PURPLE
11	53	18 GA PURPLE
12	54	18 GA PURPLE
13	55	18 GA PURPLE
14	14	ADDRESS
15	15	14 GA BLACK
16	-	-
17	-	-
18	-	-
19	-	-
20	-	-
21	-	-
22	62	18 GA BLUE
23	63	18 GA BLUE
24	64	18 GA PURPLE
25	65	18 GA PURPLE
26	109	18 GA WHITE
27	27	18 GA WHITE
28	28	14 GA RED
29	29	14 GA BLACK
30	-	-
31	-	-
32	-	-
33	-	-
34	-	-
35	-	-
36	72	18 GA BLUE
37	73	18 GA BLUE
38	74	18 GA PURPLE
39	75	18 GA PURPLE
40	112	18 GA BLUE
41	41	18 GA BLUE
42	42	14 GA RED/BLACK

SLAVE 2 MODULE PLUG 14-2 P/N		
P/N LOCATION	CIRCUIT NUMBER	DESC.
1	76	ADDRESS TERM.
2	-	-
3	78	18 GA PURPLE
4	79	18 GA PURPLE
5	80	18 GA PURPLE
6	-	-
7	-	-
8	83	18 GA GREEN
9	84	18 GA YELLOW
10	-	-
11	-	-
12	-	-
13	-	-
14	14	ADDRESS TERM.
15	15	14 GA BLACK
16	-	-
17	-	-
18	-	-
19	-	-
20	-	-
21	-	-
22	95	18 GA GREEN
23	96	18 GA YELLOW
24	-	-
25	-	-
26	-	-
27	109	18 GA WHITE
28	28	14 GA RED
29	29	14 GA BLACK
30	-	-
31	-	-
32	-	-
33	-	-
34	-	-
35	-	-
36	105	18 GA GREEN
37	106	18 GA YELLOW
38	-	-
39	-	-
40	-	-
41	112	18 GA BLUE
42	42	14 GA RED/BLACK

70 P/N FLAT CONNECTOR		
P/N LOCATION	CIRCUIT NUMBER	DESCRIPTION
1	28	18 GA
2	21	18 GA
3	50	18 GA
4	51	18 GA
5	4	18 GA
6	18	18 GA
7	46	18 GA
8	42	18 GA
9	35	18 GA
10	72	18 GA
11	73	18 GA
12	65	18 GA
13	10	18 GA
14	11	18 GA
15	3	18 GA
16	17	18 GA
17	45	18 GA
18	22	18 GA
19	75	18 GA
20	36	18 GA
21	53	18 GA
22	83	18 GA
23	84	18 GA
24	34	18 GA
25	106	18 GA
26	105	18 GA
27	96	18 GA
28	95	18 GA
29	52	18 GA
30	203	18 GA
31	202	18 GA
32	204	18 GA
33	19	18 GA
34	33	18 GA
35	48	18 GA
36	49	18 GA
37	74	18 GA
38	63	18 GA
39	62	18 GA
40	7	18 GA
41	44	18 GA
42	2	18 GA
43	16	18 GA
44	9	18 GA
45	8	18 GA
46	54	18 GA
47	20	18 GA
48	5	18 GA
49	29	18 GA
50	-	-
51	-	-
52	-	-
53	-	-
54	-	-
55	-	-
56	-	-
57	-	-
58	-	-
59	-	-
60	-	-
61	-	-
62	-	-
63	-	-
64	-	-
65	-	-
66	-	-
67	-	-
68	-	-
69	-	-
70	-	-

# FIGURE 36 REAR WIRING HARNESS P/N: 70891

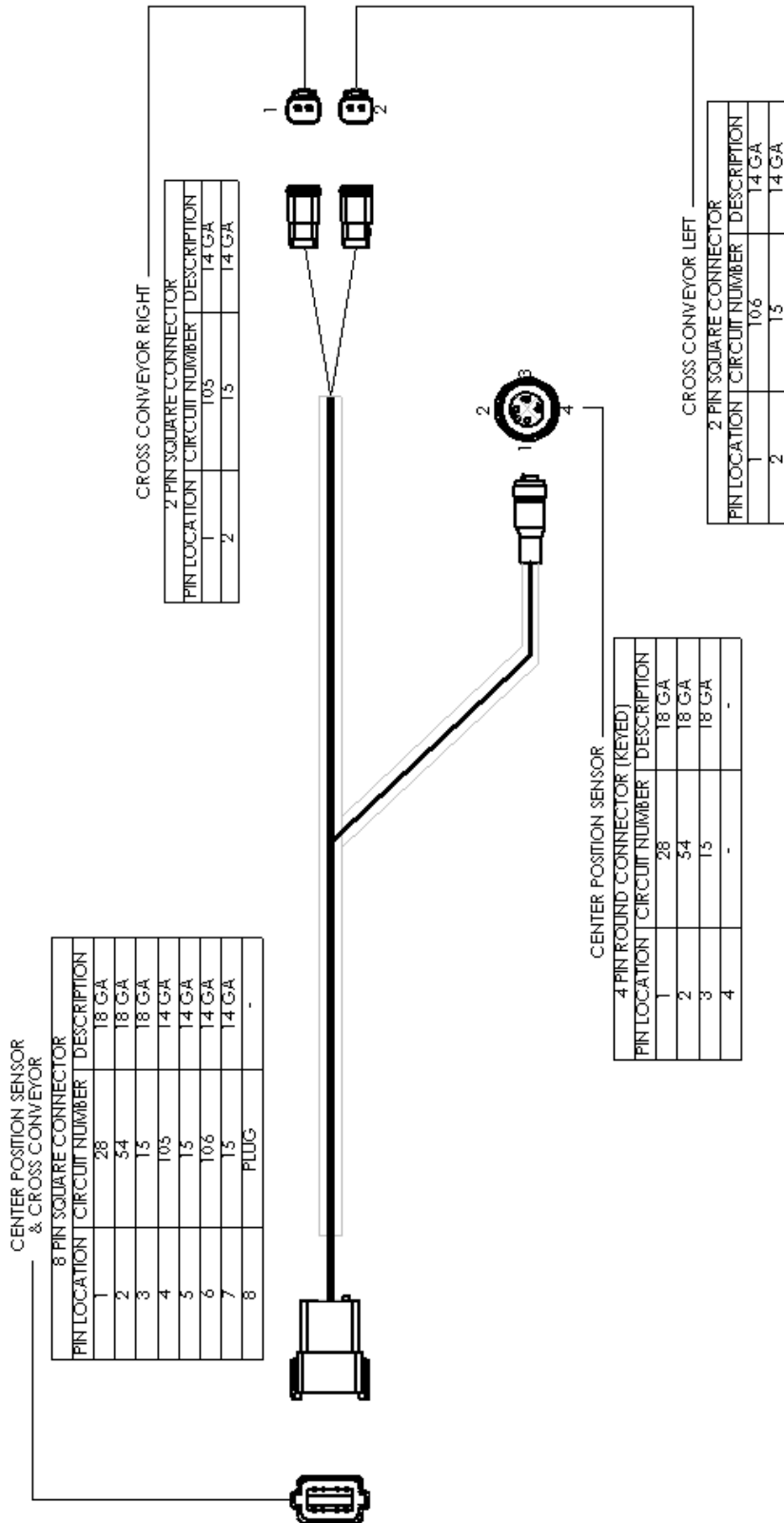
## REAR WIRE HARNESS P/N: 70891



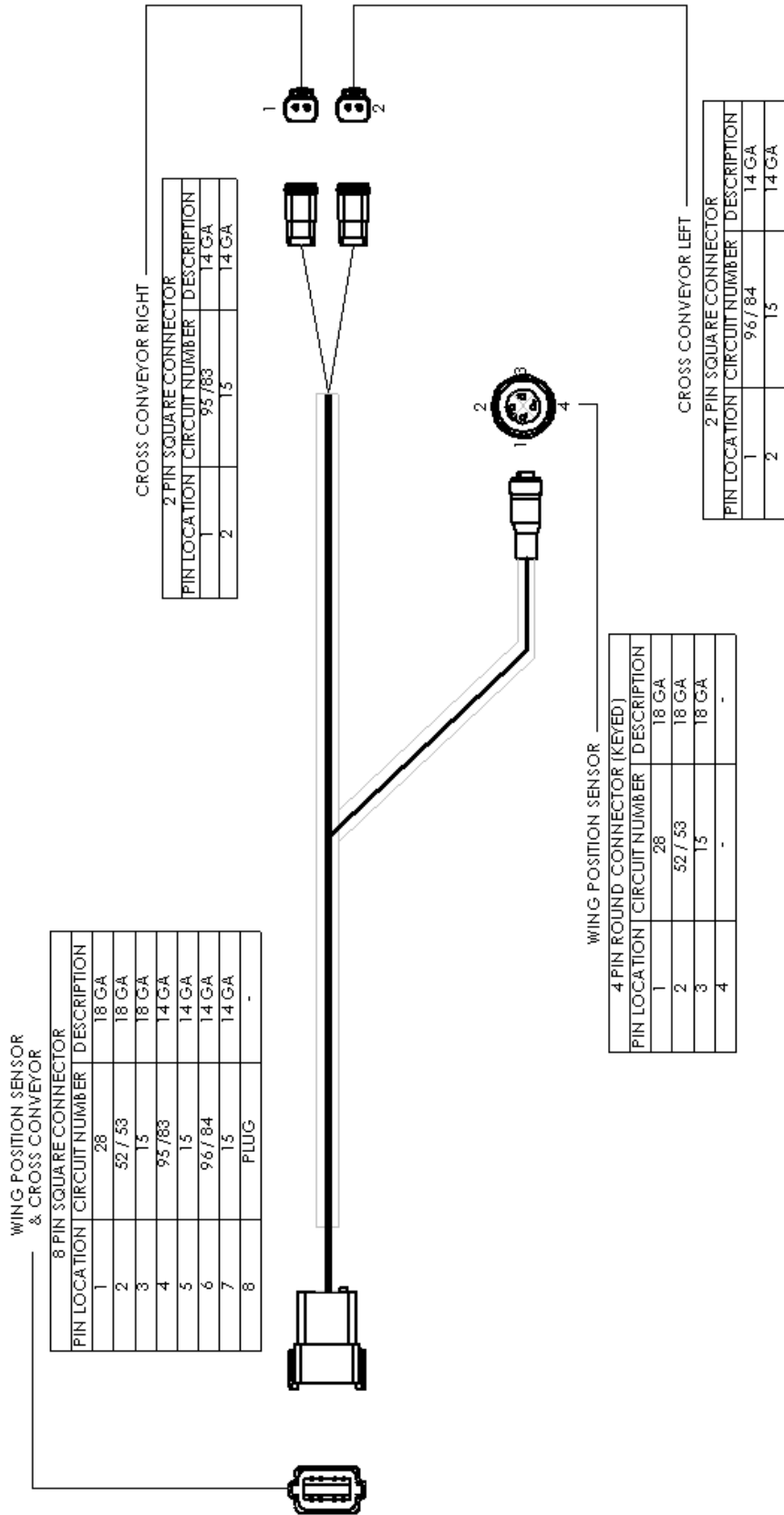
NOTE: ALL LIKE CIRCUITS WILL BE SPICED TOGETHER

# FIGURE 37

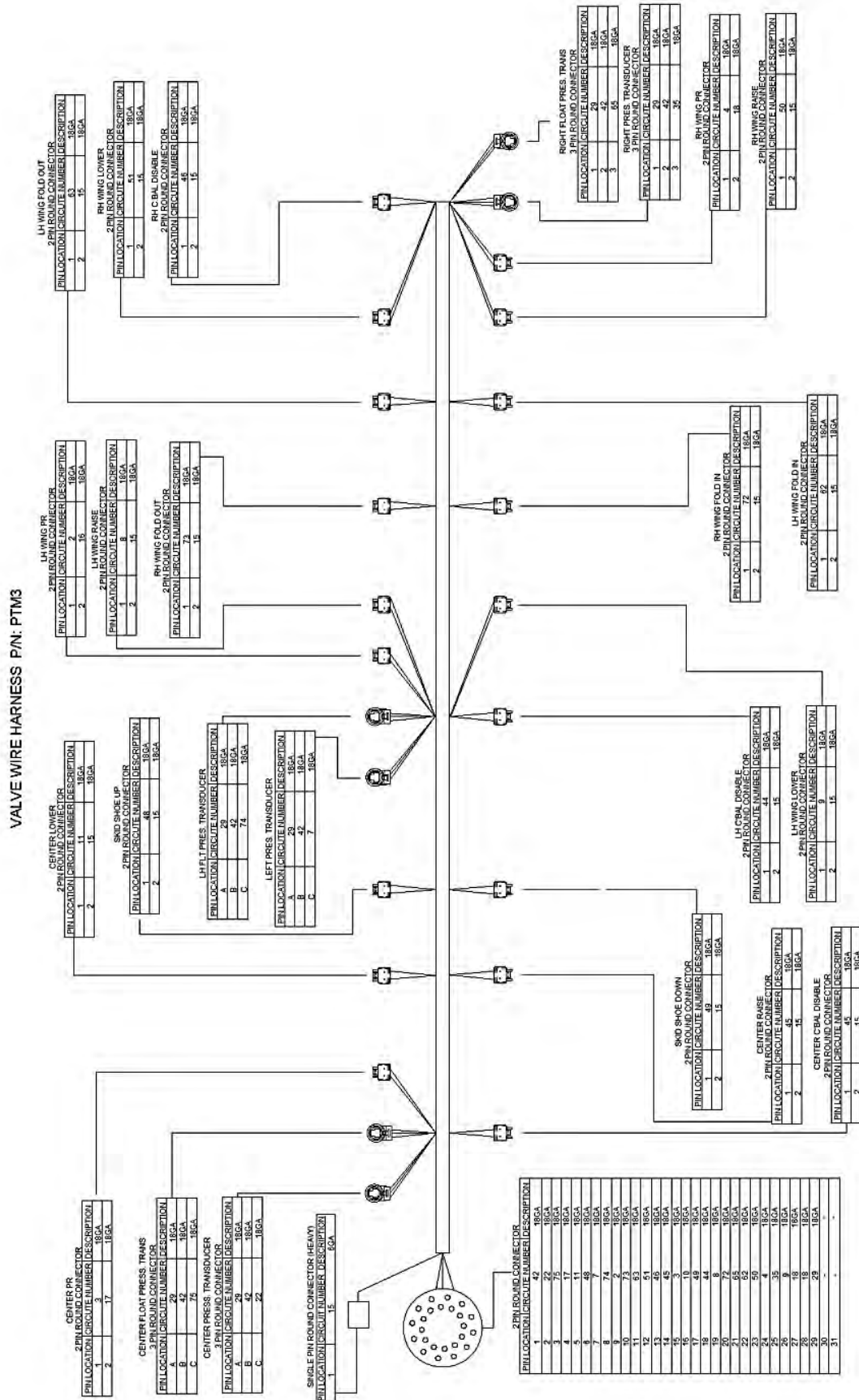
## CENTER HEAD HARNESS P/N:59486



# FIGURE 38 WING FOLD HARNESS P/N: 59487)



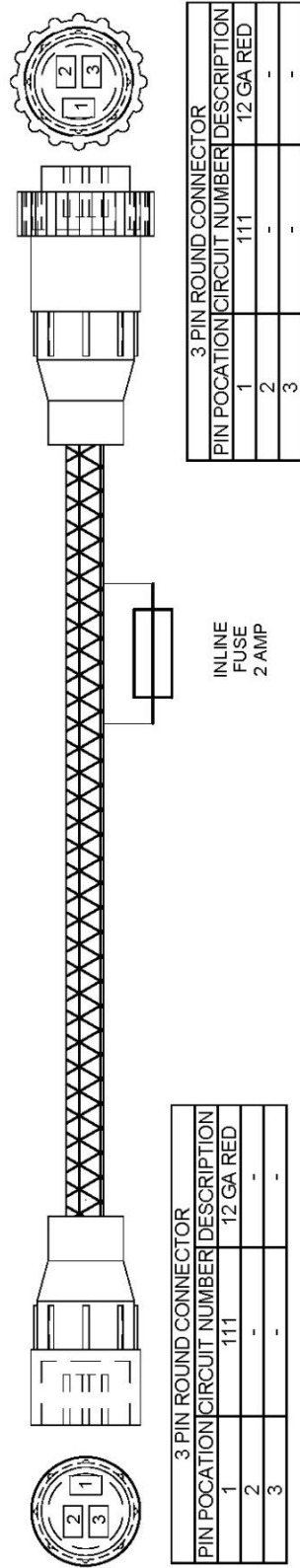
# FIGURE 39 VALVE WIRING HARNESS P/N: PTM3



# FIGURE 40

## RELAY WIRING HARNESS P/N: TFM1

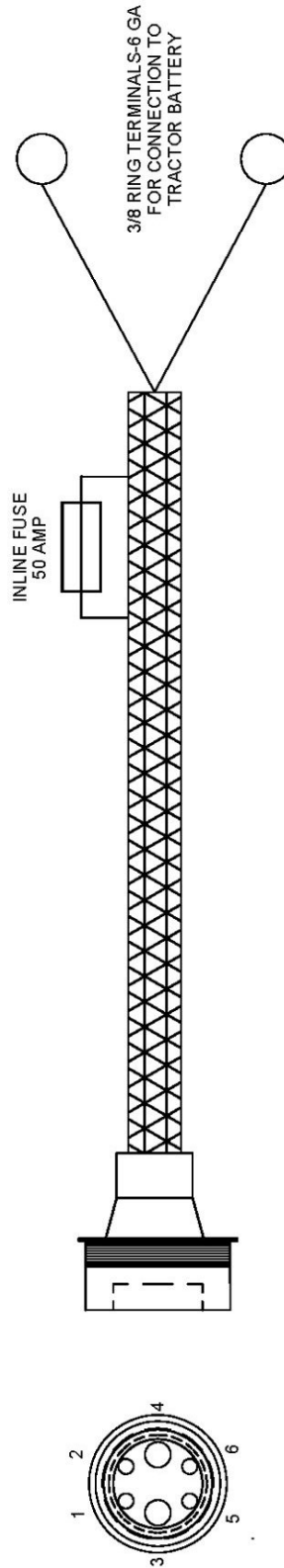
RELAY HARNESS P/N: TFM1



# FIGURE 41

## POWER SUPPLY WIRING HARNESS P/N:TFM2

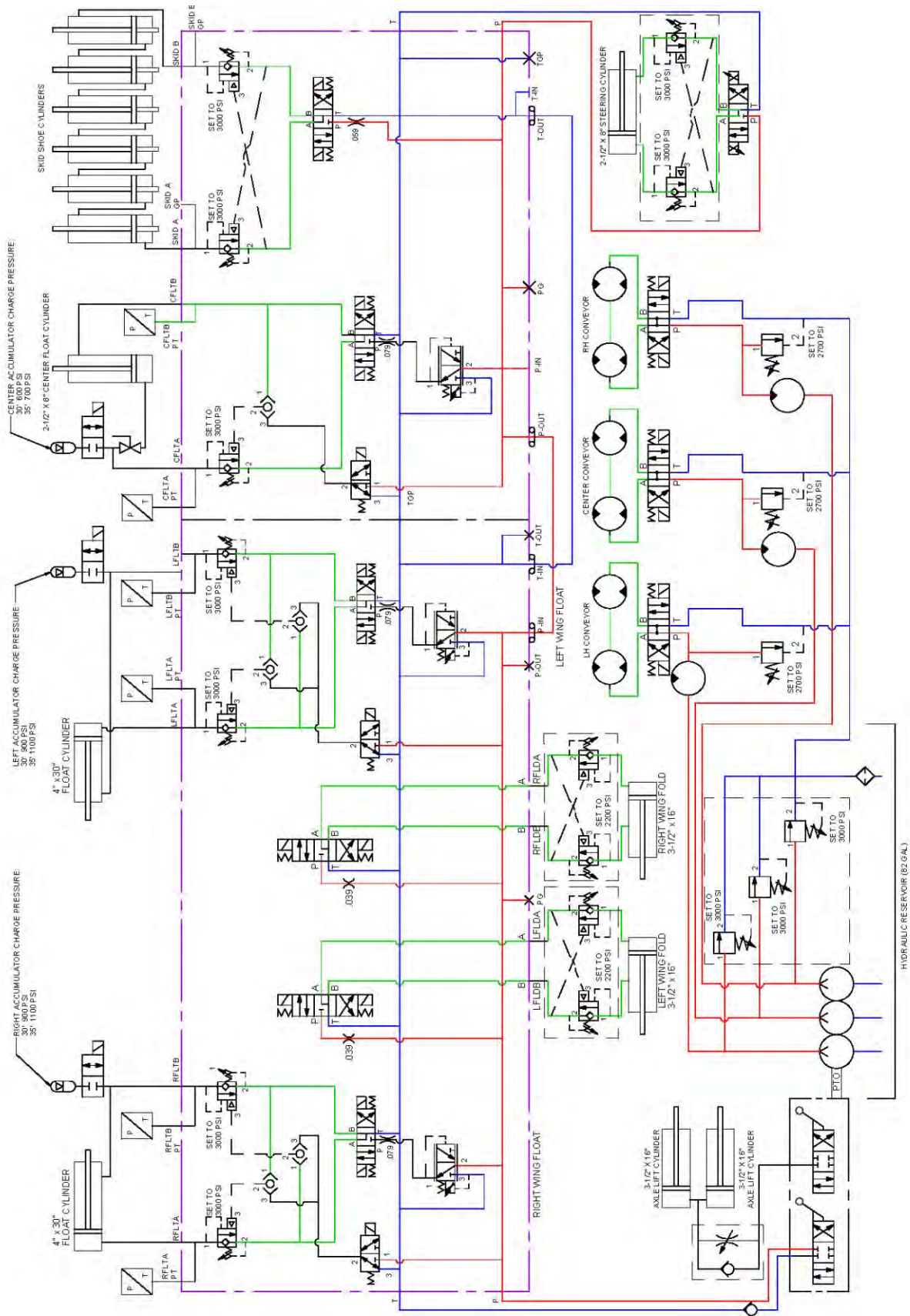
POWER SUPPLY HARNESS P/N:TFM2



6 PIN ROUND CONNECTOR		
PIN LOCATION	CIRCUIT NUMBER	DESCRIPTION
1	-	-
2	-	-
3	28-1	6 GA WHITE
4	15	6 GA BLACK
5	-	-
6	-	-

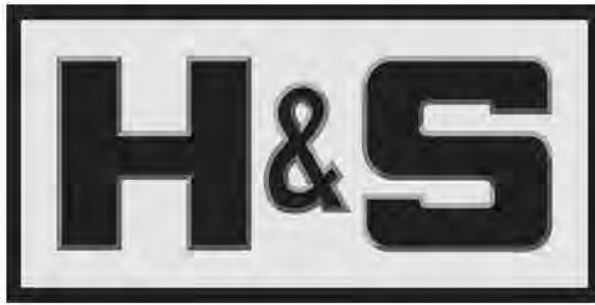


# FIGURE 42 HYDRAULIC SCHEMATIC









**H&S Manufacturing products are approved for the  
FEMA SEAL OF QUALITY**

**P.O. BOX 768, MARSHFIELD, WI 54449  
(715) 387-3414 FAX (715) 384-5463  
[www.hsmfgco.com](http://www.hsmfgco.com)**