



TWM9 & TWM12

PARTS BOOK



Revision #01

TWM9 Starting Serial #412186

TWM12 Starting Serial #412172

HSMFG0514

Part #63377

Manufactured By
H&S MANUFACTURING CO.,INC.

P.O. BOX 768 (715) 387-3414 FAX (715) 384-5463
MARSHFIELD, WISCONSIN 54449

CONTENTS

Instructions for Ordering Parts.	1
Figure 1 - 9' & 12' Main Frame.	2-5
Figure 2 - 9' & 12' Pole & Steering.	6-9
Figure 3 - 9' Left Pick-up Head.	10-13
Figure 4 - 9' Right Pick-up Head.	14-17
Figure 5 - 12' Left Pick-up Head.	18-21
Figure 6 - 12' Right Pick-up Head.	22-25
Figure 7 - 9' & 12' Pole Circuit Hydraulics.	26-27
Figure 8 - 9' Electric Head Hydraulics.	28-29
Figure 9 - 12' Head Hydraulics.	30-31
Figure 10 - 9' & 12' Main Frame Hydraulics.	32-35
Figure 11 - 9' & 12' Pick-up Head 2" X 8" Hydraulic Cylinder.	36
Figure 12 - 9' & 12' Pole 3-1/2" X 30" Hydraulic Cylinder.	37
Figure 13 - 9' Head Shuttle 2" X 38" Hydraulic Cylinder.	38
Figure 14 - 9' & 12' Load Leveler 2-1/2" X 8" Hydraulic Cylinder.	39
Figure 15 - 9' Electric/Hydraulic Valve Breakdown.	40-41
Figure 16 - 9' & 12' Electric Wiring Harness.	42-43
Figure 17 - 9' & 12' PTO Assembly.	44-45
Figure 18 - 9' & 12' Hitch Assembly.	46-47
Figure 19 - 9' & 12' Cross Conveyor Control Box.	48
Figure 20 - 9' & 12' Optional Offset Tandem.	49
Figure 21 - 9' & 12' Optional Accelerator.	50-51
Figure 22 - 9' & 12' Optional Rear Hydraulic Brakes.	52-53
Parts Notes.	54

INSTRUCTIONS FOR ORDERING PARTS

All service parts should be ordered through your authorized H&S dealer. They will be able to give you faster service if you will provide them with the following

1. Model & Serial number is located on the right side frame behind the transport wheel.
2. All reference to left or right apply to the machine as viewed from the rear.
3. Parts should not be ordered from illustration only. Please order by complete part number.
4. If your dealer has to order parts - give shipping instructions:

VIA truck - large pieces (please specify local truck lines)

VIA United Parcel Service (include full address)

H&S MFG. CO. INC.	
MARSHFIELD, WIS.	
MOD. NO.	<input type="text"/>
SER. NO.	<input type="text"/>
DESCR.	<input type="text"/>

PLEASE RECORD NUMBERS FOR YOUR UNIT FOR QUICK REFERENCE

ABOUT IMPROVEMENTS

H&S IS CONTINUALLY STRIVING TO IMPROVE IT'S PRODUCTS

We must therefore, reserve the right to make improvements or changes whenever it becomes practical to do so without incurring any obligation to make changes or additions to the equipment previously sold.

FIGURE 1

9' & 12' MAIN FRAME

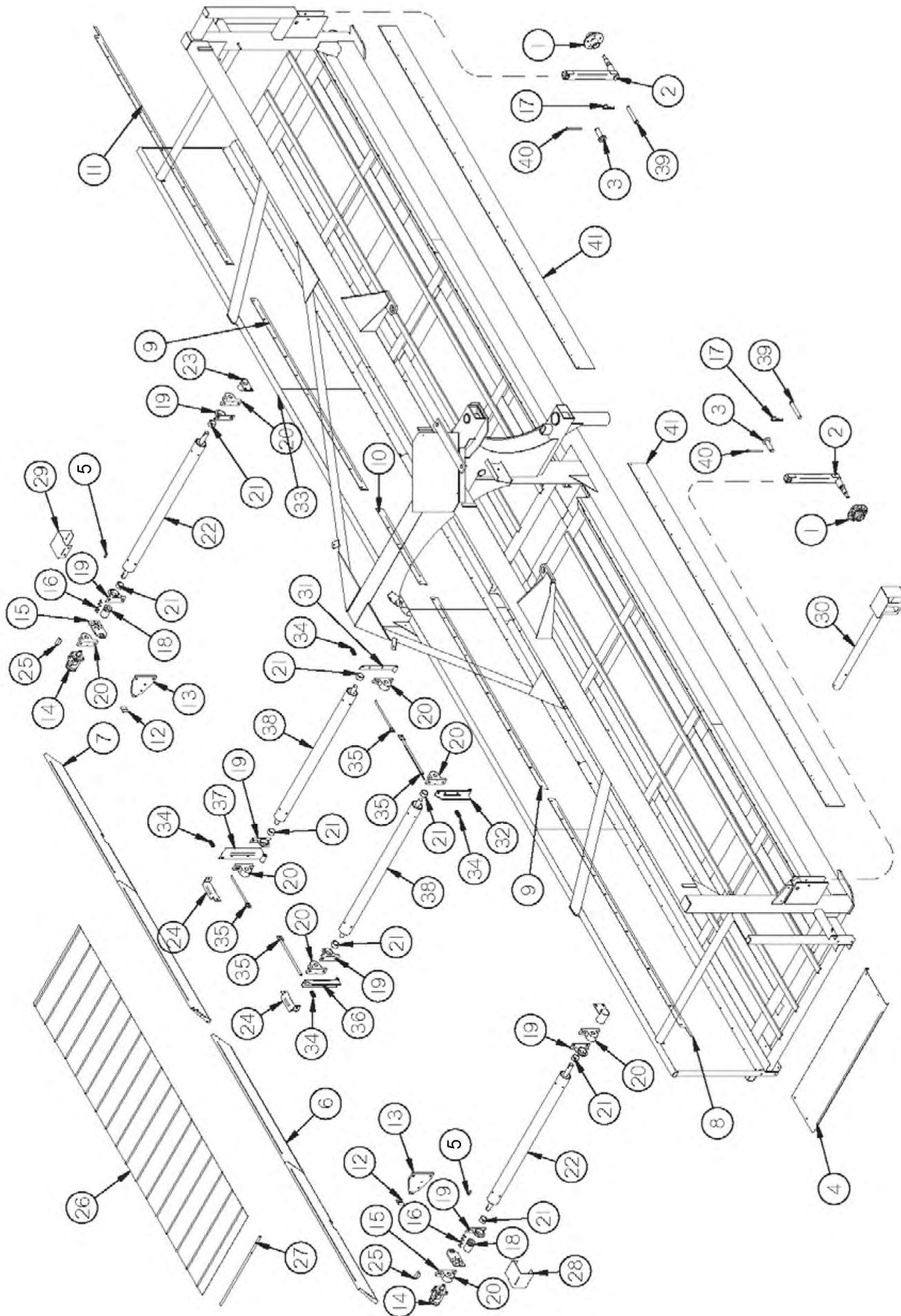


FIGURE 1

9' & 12' MAIN FRAME

<u>ITEM</u>	<u>PART #</u>	<u>DESCRIPTION</u>
1	SHM17	HELPER WHEEL HUB
*	CAT5	SEAL
*	CAT6	INNER BEARING
*	CAT7	INNER RACE
*	CAT128A	STUD BOLT
*	CAT14	STUD NUT
*	BFR75	OUTER RACE
*	CAT10	OUTER BEARING
*	YWFL24010	WASHER, FLAT, SAE 3/4"
*	YNSL24010	HEX NUT, SLOTTED, 3/4"-16
*	CAT46	HUB CAP
*	CAT166	TIRE 18.5 X 8.5 X 8
*	CAT211	WHEEL 8 X 7 (5 BOLT)
*	YPCT05010	COTTER PIN, 5/32" X 1-1/2"
2	DWM411	HELPER ARM
3	DWM409	HELPER ARM PIN
4	CHM311	HAY DEFLECTOR
5	G23B	5/16" X 1-3/8" KEY
6	DWM387	RH WIND GUARD
7	DWM386	LH WIND GUARD
8	DWM335	SKIRT RH
9	DWM46	SHORT SKIRT
10	DWM47	MIDDLE SKIRT
11	DWM334	SKIRT LH
12	DWM45	MOTOR SPACER
13	DWM51	MALE TORQUE ARM
14	DF1	HYDRAULIC MOTOR (101-2970)
*	WM225	SEAL KIT
15	DWM39	TORQUE ARM
16	DWM137	CAP SCREW - COUPLER

NOTE: * MEANS NOT SHOWN

FIGURE 1
9' & 12' MAIN FRAME

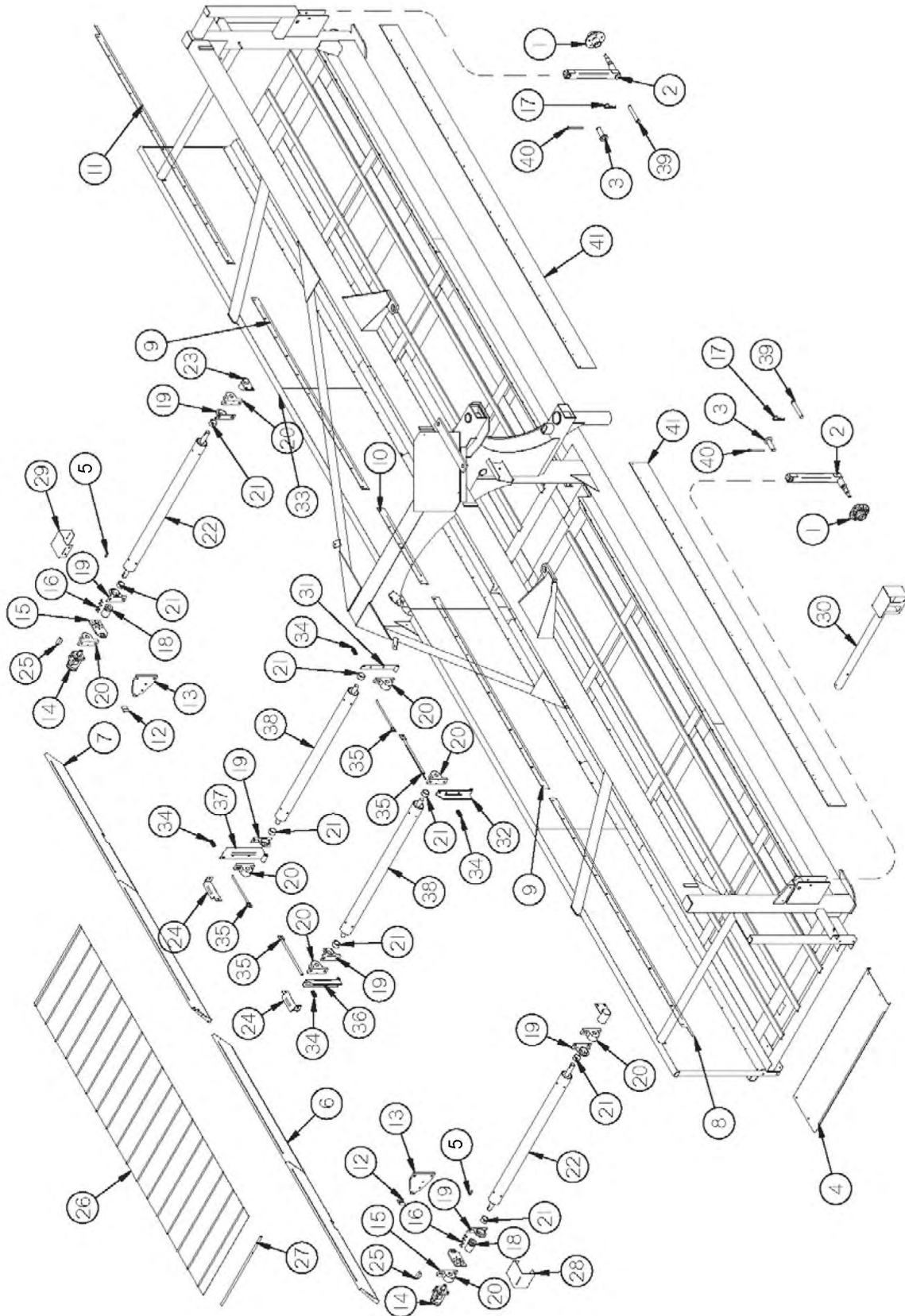


FIGURE 1

9' & 12' MAIN FRAME

<u>ITEM</u>	<u>PART #</u>	<u>DESCRIPTION</u>
17	YPHR02010	HAIR PIN, #21-07
18	DWM27	COUPLER
19	DWM36	ANTI-WRAP GUARD
20	DWM132	BEARING (PILLOW BLOCK)
21	SWM30	HEAD SPACER
22	DWM14	DRIVE ROLLER
23	DWM31	SHAFT SHIELD
24	DWM379	BEARING BRACKET
25	5B10	KEY 1/4" X 1" WOODRUFF
26	DWM160	CROSS CONVEYOR BELT
*	DWM318	REPAIR DUTCHMAN
27	DWM161	CROSS CONVEYOR LACING PIN
*	DWM162	CROSS CONVEYOR LACING
28	DWM41	RIGHT MOTOR SHIELD
29	DWM42	LEFT MOTOR SHIELD
30	DWM341	RIGHT REAR LIGHT BRACKET
31	DWM23	FRONT LEFT TIGHTENER
32	DWM24	FRONT RIGHT TIGHTENER
33	DWM22	FRAME
34	DWM232	SPRING-BLUE
35	DWM231	TIGHTENER
36	DWM377	RH TIGHTENER ARM
37	DWM378	LH TIGHTENER ARM
38	DWM13	CONVEYOR ROLLER
39	DWM430	CLEVIS PIN 1/2" X 3-1/2"
40	YPCT06020	COTTER PIN, 3/16" X 2"
41	DWM350	POLY SKIRT

NOTE: * MEANS NOT SHOWN

FIGURE 2
9' & 12' POLE & STEERING

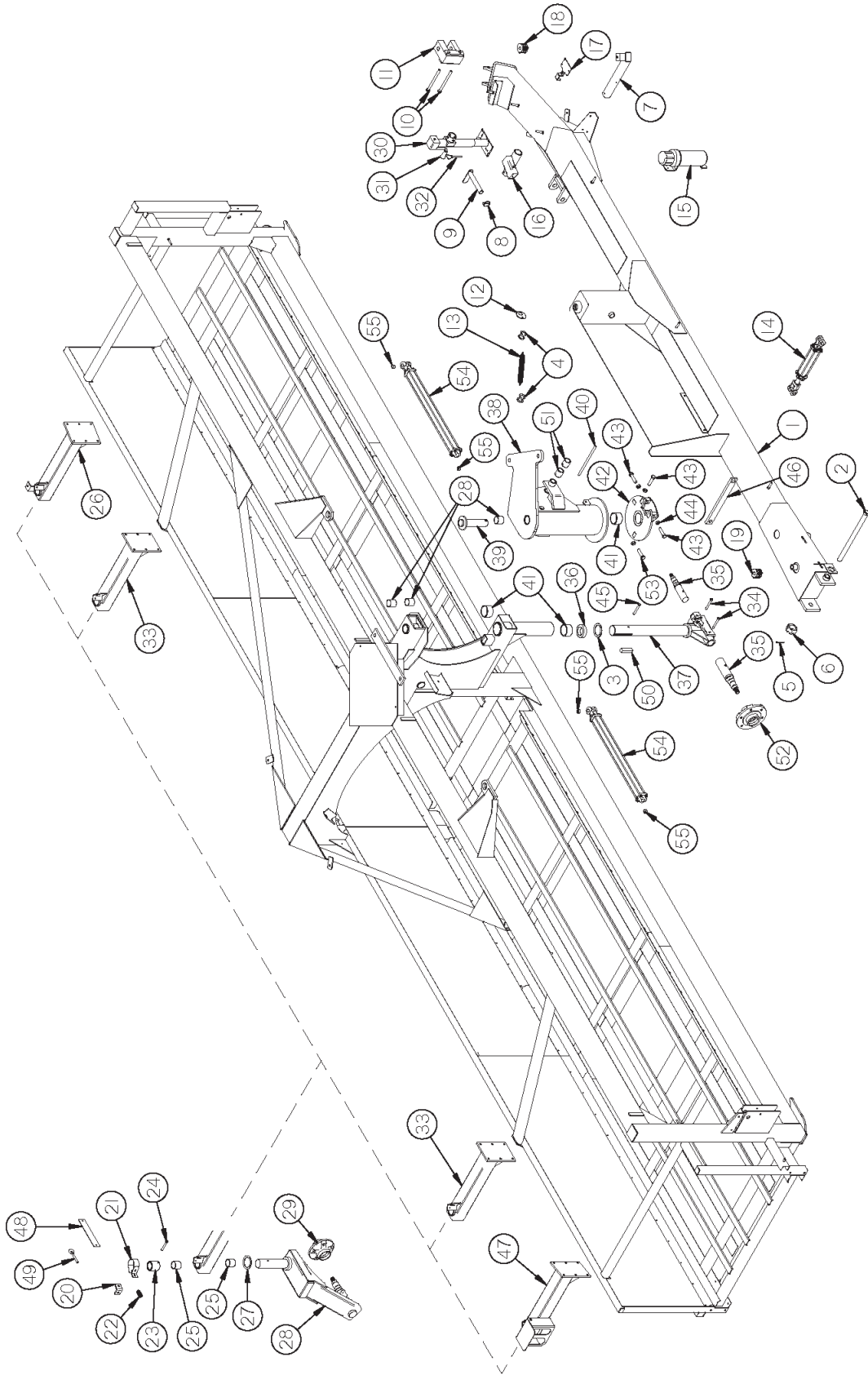


FIGURE 2

9' & 12' POLE & STEERING

<u>ITEM</u>	<u>PART #</u>	<u>DESCRIPTION</u>
1	DWM442	POLE
2	DWM33	POLE PIN
3	DWM73	BRONZE WASHER 3" ID
4	F87	S-HOOK
5	YPCT06022	COTTER PIN, 3/16" X 2-1/2"
6	YNSL36005	HEX NUT, SLOTTED, 1-1/4"-12
7	DWM340	LIGHT BRACKET
8	YPLY08011	LYNCH PIN, 1/4 X 1-9/16 #63-02
9	DWM34	POLE LOCKING PIN
10	YBHH24090	BOLT, 3/4" X 6" GR. 5
11	WM43	HITCH - ADJUSTABLE
12	DWM331	SPRING CLIP
13	K103	SPRING
14	T188A	CYLINDER
15	S522	MANUAL HOLDER
16	DWM338	PUMP STORAGE BRACKET
17	DWM366	MODULE HOLDER
18	DWM159	3/4" BLACK PIPE PLUG
19	DWM261	1" PIPE SOCKET PLUG
20	WM211	BRAKE ANGLE
21	WM286	BRAKE BAND
22	WM210	SPRING - RED
23	DWM59	BRAKE BUSHING
24	YPEX10025	EXPANSION PIN, 5/16" X 2-3/4"
25	RG26	BUSHING, BRONZE, 2.015" ID X 2.25" OD X 2.00" LONG
26	DWM253	LEFT TAIL WHEEL
27	RG24	BRONZE WASHER 2" ID X 3" OD X 1/8"
28	SHM18	CASTER
29	DWM395	HUB - ROAD WHEEL
*	12N17	SEAL
*	DWM461	INNER BEARING
*	DWM462	INNER RACE
*	YBSD16005	STUD BOLT, 1/2"-20 UNF X 1-7/8" (3/8" SHOULDER)
*	YNWL16005	WHEEL NUT, 1/2"-20 UNF
*	DWM463	OUTER RACE
*	DWM464	OUTER BEARING
*	DWM121	WASHER (HARDENED)
*	RG103	HUB CAP
*	DWM451	WHEEL (REAR)

NOTE: * (MEANS NOT SHOWN)

FIGURE 2
9' & 12' POLE & STEERING

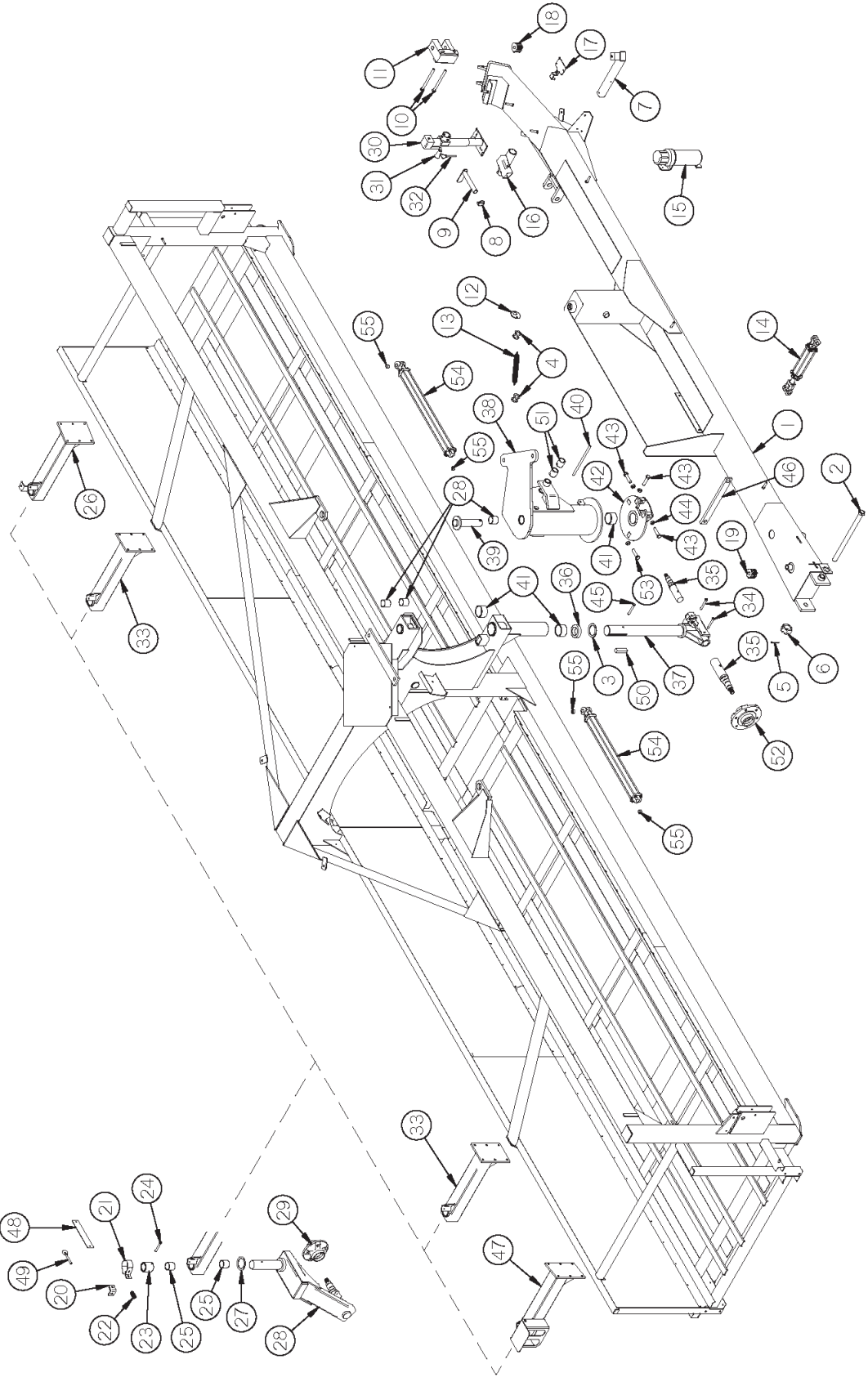


FIGURE 2

9' & 12' POLE & STEERING

<u>ITEM</u>	<u>PART #</u>	<u>DESCRIPTION</u>
*	YNSL28005	HEX NUT, SLOTTED, 7/8"-14
*	YPCT05020	COTTER PIN, 5/32" X 1-3/4"
30	DWM124	JACK 2000#
31	12N12	JACK HANDLE
32	BFR4	JACK PIN & CHAIN
33	SWM3	CASTER MOUNT
34	YBHH12145	BOLT, 3/8" X 3-1/2" GR. 5
35	SHM34	SPINDLE
36	DWM49	STEEL WASHER
37	DWM352	STEERING FORK
38	DWM16	STEERING PIVOT
39	DWM18	STEERING PIN
40	DWM72	BOLT - READY ROD
41	B58	POLY BUSHING
42	DWM17	STEERING FLANGE
43	YBHH24071	BOLT, 3/4" X 4" GR. 5 FULL THREAD
44	YNJM24010	HEX NUT, JAM, COARSE THREAD, 3/4"
45	YBHH12200	BOLT, 3/8" X 5" GR. 5
46	DWM353	LIFT BAR
47	DWM254	RIGHT TAIL WHEEL
48	WM288	BRAKE PAD
49	YBTE10040	TURNT EYE BOLT, 5/16" X 4" (5/8" EYE)
50	DWM126	1/2" X 2-1/2" SQ. KEY W/ ROUND ENDS
51	RG132	BUSHING 1-1/4" ID X 2"
52	RG168	HUB
*	RG165	SEAL
*	RG166	INNER BEARING
*	RG167	INNER RACE
*	RG71	STUD BOLT
*	RG72	LUG NUT
*	17G149	OUTER RACE
*	17G150	OUTER BEARING
*	RG183	WASHER (HARDENED)
*	YPCT07005	COTTER PIN, 7/32" X 2"
*	YNSL32005	HEX NUT, SLOTTED, 1"-14, GR 2, PLAIN
*	RG171	HUB CAP
*	CHM102	WHEEL W-523360R
*	CHM327	TIRE 13.50 X 15FI
*	GM394	TIRE (12.5L x 15 20 PLY)
53	YBHH24025	BOLT, 3/4" X 2-1/2" GR. 5 FULL THREAD
54	DWM406	3-1/2" X 30" CYLINDER
55	DWM141	SPACER 1/2"

NOTE: * (MEANS NOT SHOWN)

FIGURE 3

9' LEFT PICK-UP HEAD

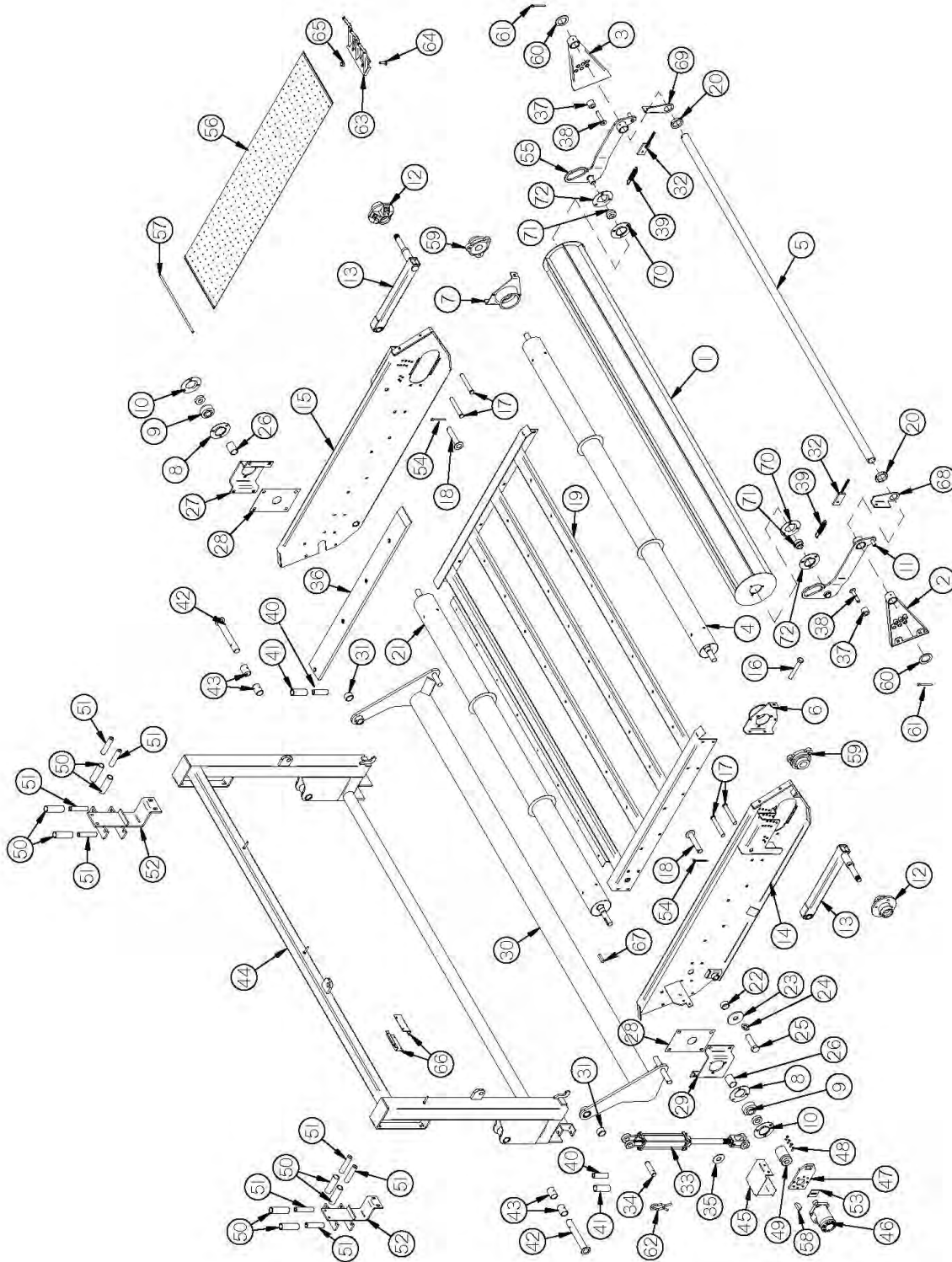


FIGURE 3

9' LEFT PICK-UP HEAD

<u>ITEM</u>	<u>PART #</u>	<u>DESCRIPTION</u>
1	WM356	9' CROP ROLLER
2	WM350	RIGHT BRACKET
3	WM351	LEFT BRACKET
4	WM342	FRONT IDLER ROLLER
5	WM357	FRONT SUPPORT
6	WM179	RIGHT ROLLER ADJUSTMENT BRKT.
7	WM192	LEFT ROLLER ADJUSTMENT BRKT.
8	F145	FLANGE
9	55659	1-1/4" HEAVY BRG W/COLLAR ASSY
10	F143	FLANGE (GREASEABLE)
11	WM349	RIGHT ARM
12	CAT177	HUB - COMPLETE
*	CAT135A	SEAL
*	CAT10	BEARING (2)
*	BFR275	RACE (2)
*	CAT136A	HUB W/ RACES
*	CAT128	STUD
*	BFR144	LUG NUT
*	YPCT05010	COTTER PIN, 5/32" X 1-1/2"
*	CAT46	HUB CAP
*	CAT211	WHEEL 8 X 7 (5-BOLT)
*	CAT166	TIRE 18.5 X 8.5 X 8
*	YNSL32005	HEX NUT SLOTTED 1"-14
*	CAT52	TIRE/WHEEL ASSEMBLY
13	DWM229	GAUGE ARMS
14	DWM344	LEFT HEAD - RIGHT PANEL
15	DWM345	LEFT HEAD - LEFT PANEL
16	YBHH16115	BOLT, 1/2" X 3-1/2" GR. 5 (ZINC)
17	YPCV16020	CLEVIS PIN, 1/2" X 5"
18	DWM7	PIVOT PIN
19	DWM339	Z-CHANNEL FRAME
20	WM347	COLLAR
*	YSKP10010	SET SCREW, SOCKET, 5/16 - 18 X 3/8
21	WM341	HEAD DRIVE ROLLER
22	WM183	PIVOT BUSHING
23	WM218	WASHER
24	YWLO32005	WASHER, LOCK, 1"
25	YBHH32005	BOLT, 1"-8 X 2-1/2" GR. 5 FULL THREAD
26	WM343	SPACER PVC
27	WM186	BEARING BRACKET LH
28	WM180	SIDE PANEL SLOT PLATE
29	WM187	BEARING BRACKET RH
30	DWM10	LEFT PICKUP LIFTER
31	DWM57	SPACER
32	12V78	TIGHTENER BRACKET
33	BFR69A	HYDRAULIC CYLINDER
*	X94	CYLINDER SPACER

NOTE: * (MEANS NOT SHOWN)

FIGURE 3

9' LEFT PICK-UP HEAD

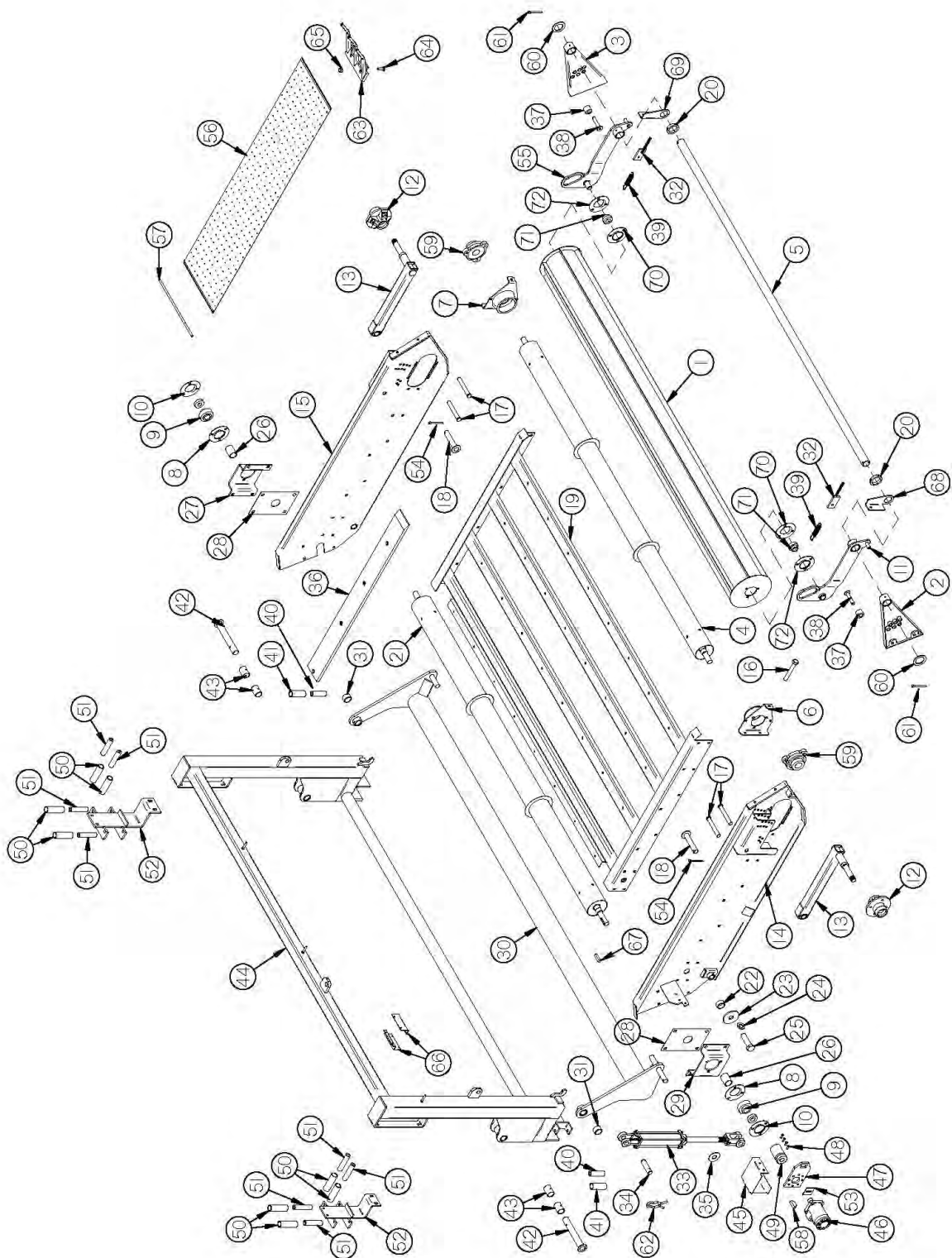


FIGURE 3

9' LEFT PICK-UP HEAD

<u>ITEM</u>	<u>PART #</u>	<u>DESCRIPTION</u>
34	T143	CYLINDER PIN
35	16SV136	WASHER
36	DWM358	SLIDES
37	WM353	POLY BUMPER
38	WM354	ADJUSTMENT PIN
39	ST36	SPRING
40	DWM55	SHORT SLIDER SPACER
41	DWM67	SHORT BACK SLIDER ROLLER
42	DWM21	HEAD PIN
43	RG132	BUSHING 1-1/4" ID X 2"
44	DWM375	LEFT HEAD SLIDE
45	DWM43	LEFT HEAD SHIELD
46	DWM84	HYDRAULIC MOTOR (101-3048)
*	WM225	SEAL KIT
47	DWM39	HYDRAULIC MOTOR MOUNT
48	DWM137	CAP SCREW - COUPLER
49	DWM27	COUPLER
50	DWM66	BACK SLIDER ROLLER
51	DWM54	SLIDER SPACER
52	DWM32	HANGER SLIDE
53	DWM45	MOTOR SPACER
54	YPCT06020	COTTER PIN, 3/16" X 2"
55	WM348	LEFT ARM
56	56679	PICKUP BELT
*	DWM367	REPAIR DUTCHMAN ASSEMBLY
*	DWM373	COMP. REPAIR DUTCHMAN KIT W/ NUTS, BOLTS &
57	SWM41	CLIPS LACING PIN
58	5B10	KEY 1/4" X 1" WOODRUFF
59	55660	3 BOLT PILLOW BLOCK BRG W/COLLAR
60	DWM227	WIND GUARD WASHER
61	YPCT08010	COTTER PIN, 1/4" X 2-1/2"
62	T144	CLIP PINS
63	SWM1	PICKUP TOOTH
64	YBEV08005	BOLT, ELEVATOR, 1/4"-20 X 3/4"
65	YNLK08005	HEX NUT, LOCK, KEPS, 1/4"-20
66	DWM380	CYLINDER STOP
67	G23B	5/16" X 1-3/8" KEY
68	WM362	SPRING TIGHTENER BRACKET RIGHT
69	WM363	SPRING TIGHTENER BRACKET LEFT
70	F14	BEARING FLANGE
71	12N122	1-1/4" BEARING W/LOCK COLLAR
72	F114A	BEARING FLANGE (45° ZERK)

NOTE: * (MEANS NOT SHOWN)

FIGURE 4

9' RIGHT PICK-UP HEAD

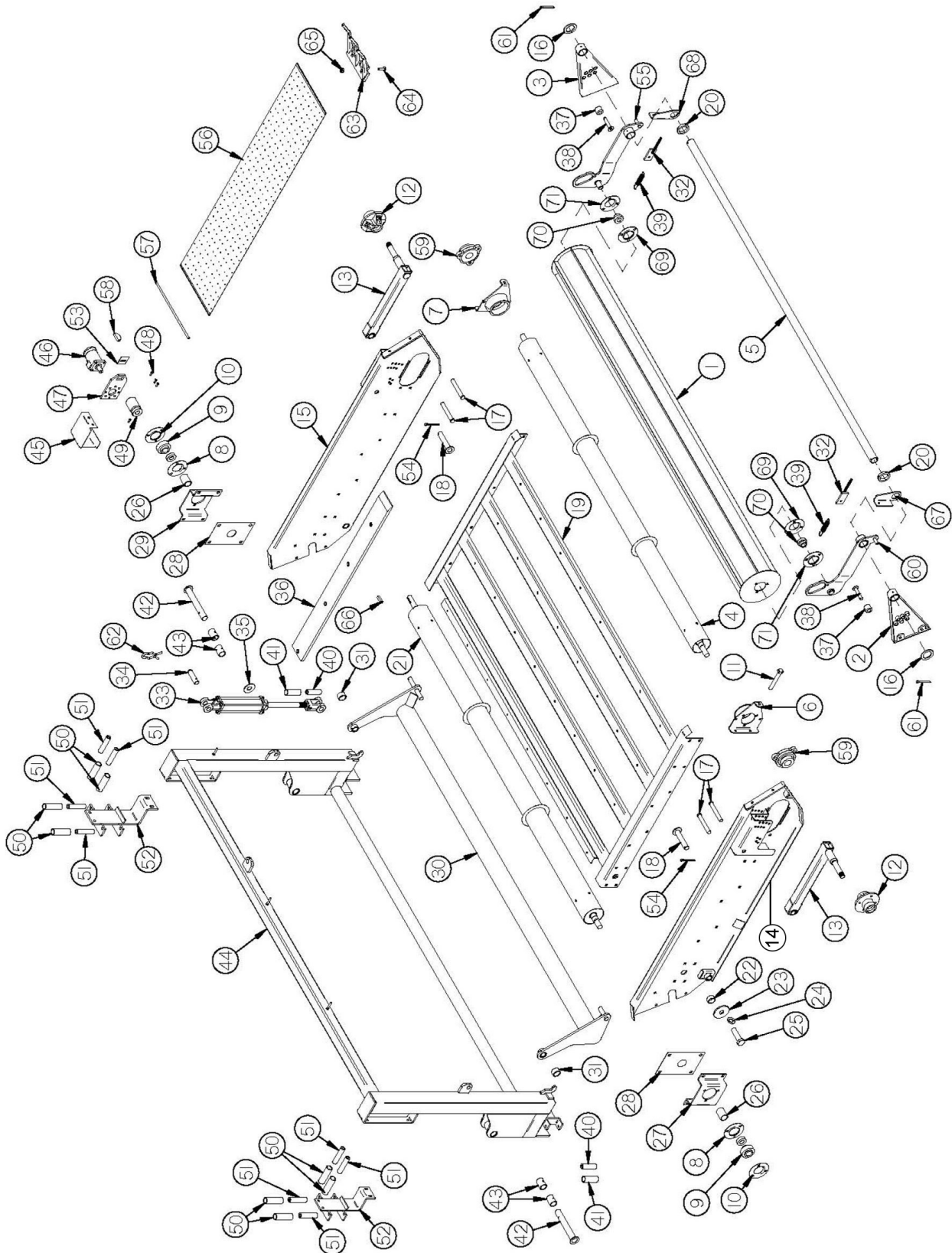


FIGURE 4

9' RIGHT PICK-UP HEAD

<u>ITEM</u>	<u>PART #</u>	<u>DESCRIPTION</u>
1	WM356	9' CROP ROLLER
2	WM350	RIGHT BRACKET
3	WM351	LEFT BRACKET
4	WM342	FRONT IDLER ROLLER
5	WM357	FRONT SUPPORT
6	WM179	RIGHT ROLLER ADJUSTMENT BRKT.
7	WM192	LEFT ROLLER ADJUSTMENT BRKT.
8	F145	FLANGE
9	55659	1-1/4" HEAVY BRG W/COLLAR ASSY
10	F143	FLANGE (GREASEABLE)
11	YBHH16115	BOLT, 1/2 X 3-1/2 GR 5
12	CAT177	HUB - COMPLETE
*	CAT135A	SEAL
*	CAT10	BEARING (2)
*	BFR275	RACE (2)
*	CAT136A	HUB W/ RACES
*	CAT128	STUD
*	BFR144	LUG NUT
*	YPCT05010	COTTER PIN, 5/32" X 1-1/2"
*	CAT46	HUB CAP
*	CAT211	WHEEL 8 X 7 (5-BOLT)
*	CAT166	TIRE 18.5 X 8.5 X 8
*	YNSL32005	HEX NUT SLOTTED 1"-14
*	CAT52	TIRE/ WHEEL ASSEMBLY
13	DWM229	GAUGE ARMS
14	DWM342	RIGHT HEAD - RIGHT PANEL
15	DWM343	RIGHT HEAD - LEFT PANEL
16	DWM227	WIND GUARD WASHER
17	YPCV16020	CLEVIS PIN, 1/2" X 5"
18	DWM7	PIVOT PIN
19	DWM339	Z-CHANNEL FRAME
20	WM347	COLLAR
21	WM341	HEAD DRIVE ROLLER
22	WM183	PIVOT BUSHING
23	WM218	WASHER
24	YWLO32005	WASHER, LOCK, 1"
25	YBHH32005	BOLT, 1"-8 X 2-1/2" GR. 5 FULL THREAD
26	WM343	SPACER PVC
27	WM187	BEARING BRACKET RH
28	WM180	SIDE PANEL SLOT PLATE
29	WM186	BEARING BRACKET LH
30	DWM9	RIGHT PICKUP LIFTER
31	DWM57	SPACER
32	12V78	TIGHTENER BRACKET
33	BFR69A	HYDRAULIC CYLINDER
*	X94	CYLINDER SPACER

NOTE: * (MEANS NOT SHOWN)

FIGURE 4

9' RIGHT PICK-UP HEAD

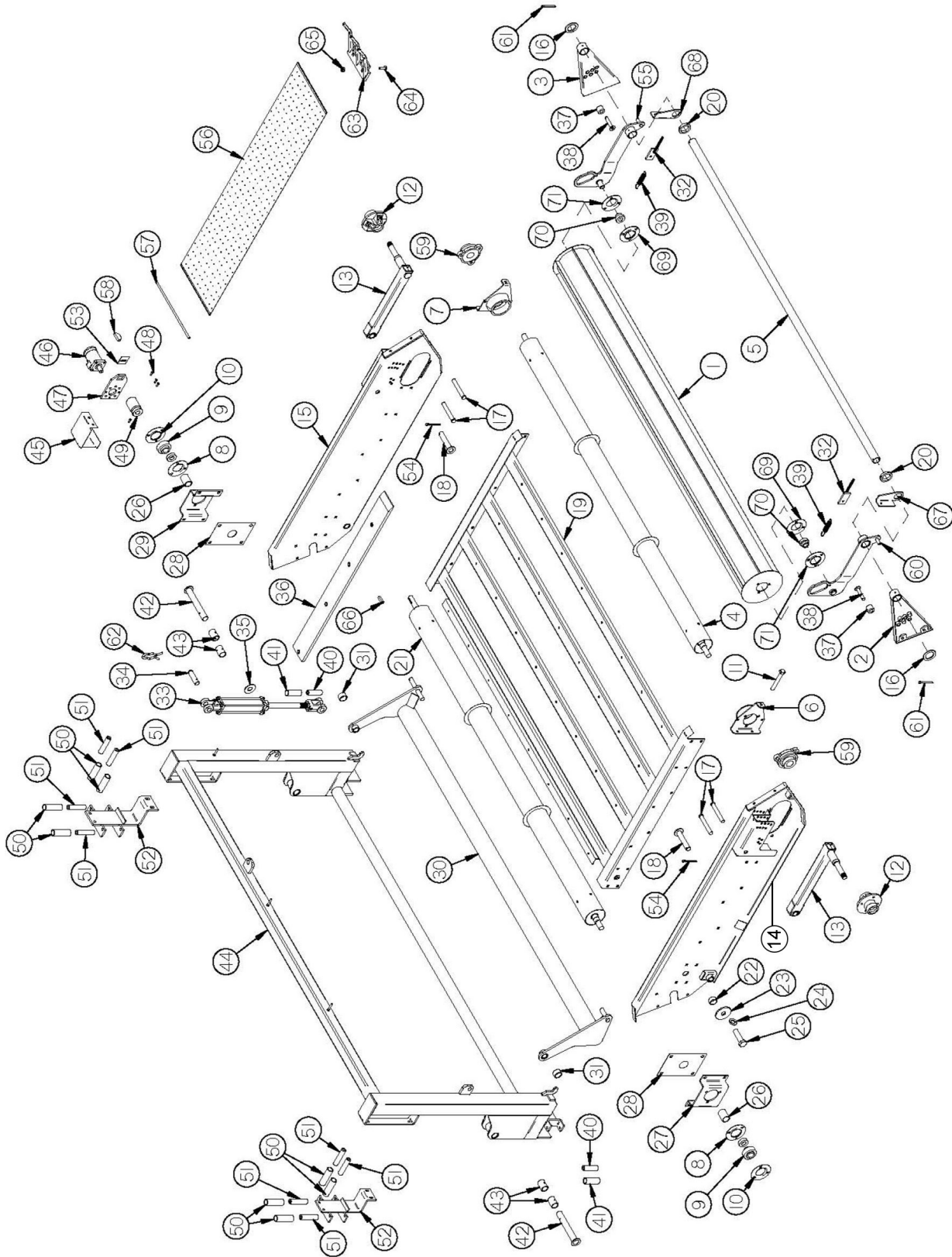


FIGURE 4

9' RIGHT PICK-UP HEAD

<u>ITEM</u>	<u>PART #</u>	<u>DESCRIPTION</u>
34	T143	CYLINDER PIN
35	16SV136	WASHER
36	DWM358	SLIDES
37	WM353	POLY BUMPER
38	WM354	ADJUSTMENT PIN
39	ST36	SPRING
40	DWM55	SHORT SLIDER SPACER
41	DWM67	SHORT BACK SLIDER ROLLER
42	DWM21	HEAD PIN
43	RG132	BUSHING 1-1/4" ID X 2"
44	DWM376	RIGHT HEAD SLIDE
45	DWM40	RIGHT HEAD SHIELD
46	DWM84	HYDRAULIC MOTOR (101-3048)
*	WM225	SEAL KIT
47	DWM39	HYDRAULIC MOTOR MOUNT
48	DWM137	CAP SCREW - COUPLER
49	DWM27	COUPLER
50	DWM66	BACK SLIDER ROLLER
51	DWM54	SLIDER SPACER
52	DWM32	HANGER SLIDE
53	DWM45	MOTOR SPACER
54	YPCT06020	COTTER PIN, 3/16" X 2"
55	WM348	LEFT ARM
56	56679	PICKUP BELT
*	DWM367	REPAIR DUTCHMAN ASSEMBLY
*	DWM373	COMP. REPAIR DUTCHMAN KIT W/ NUTS, BOLTS & CLIPS
57	SWM41	LACING PIN
58	5B10	KEY 1/4" X 1" WOODRUFF
59	55660	3 BOLT PILLOW BLOCK BRG W/COLLAR
60	WM349	RIGHT ARM
61	YPCT08010	COTTER PIN, 1/4" X 2-1/2"
62	T144	CLIP PINS
63	SWM1	PICKUP TOOTH
64	YBEV08005	BOLT, ELEVATOR, 1/4"-20 X 3/4"
65	YNLK08005	HEX NUT, LOCK, KEPS, 1/4"-20
66	G23B	5/16" X 1-3/8" KEY
67	WM362	SPRING TIGHTENER BRACKET RIGHT
68	WM363	SPRING TIGHTENER BRACKET LEFT
69	F14	BEARING FLANGE
70	12N122	1-1/4" BEARING W/LOCK COLLAR
71	F114A	BEARING FLANGE (45° ZERK)

NOTE: * (MEANS NOT SHOWN)

FIGURE 5

12' LEFT PICK-UP HEAD

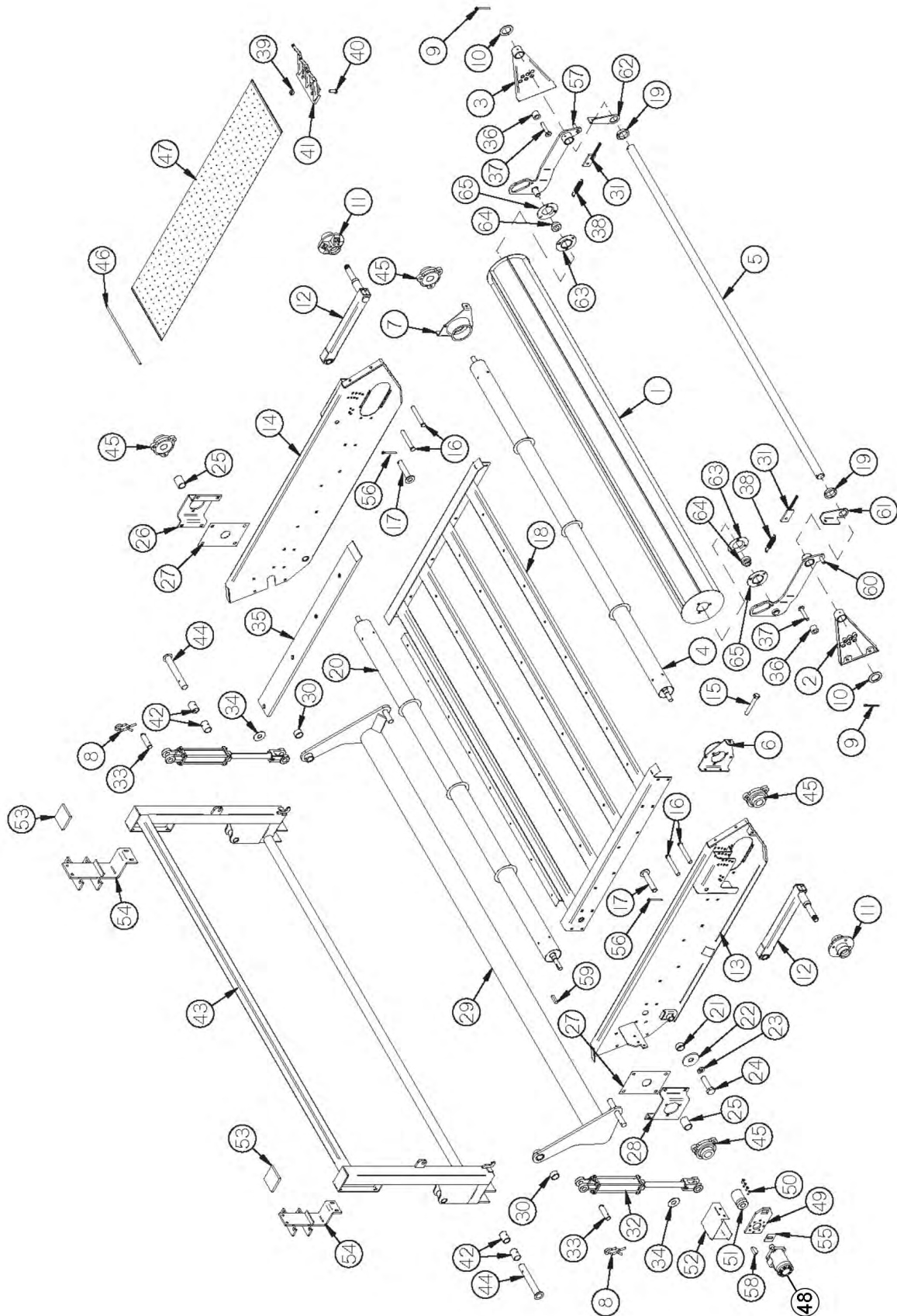


FIGURE 5

12' LEFT PICK-UP HEAD

<u>ITEM</u>	<u>PART #</u>	<u>DESCRIPTION</u>
1	WM352	12' CROP ROLLER
2	WM350	RIGHT BRACKET
3	WM351	LEFT BRACKET
4	SHM21	FRONT IDLER ROLLER
5	WM346	FRONT SUPPORT
6	WM179	RIGHT ROLLER ADJUSTMENT BRKT.
7	WM192	LEFT ROLLER ADJUSTMENT BRKT.
8	T144	CLIP PINS
9	YPCT08010	COTTER PIN, 1/4" X 2-1/2"
10	DWM227	WIND GUARD WASHER
11	CAT177	HUB - COMPLETE
*	CAT135A	SEAL
*	CAT10	BEARING (2)
*	BFR275	RACE (2)
*	CAT136A	HUB W/ RACES
*	YBSD16007	STUD BOLT, 1/2"-20 UNF X 1-7/8" (9/16" SHOULDER)
*	BFR144	LUG NUT
*	YPCT05010	COTTER PIN, 5/32" X 1-1/2"
*	CAT46	HUB CAP
*	CAT211	WHEEL 8 X 7 (5-BOLT)
*	CAT166	TIRE 18.5 X 8.5 X 8
*	YNSL32005	HEX NUT SLOTTED 1"-14
*	YBSD16007	STUD BOLT, 1/2"-20 UNF X 1-7/8" (9/16" SHOULDER)
*	CAT52	TIRE/WHEEL ASSEMBLY
12	DWM229	GAUGE ARMS
13	DWM344	LEFT HEAD - RIGHT PANEL
14	DWM345	LEFT HEAD - LEFT PANEL
15	YBHH16115	BOLT, 1/2" X 3-1/2" GR. 5 (ZINC)
16	YPCV16020	CLEVIS PIN, 1/2" X 5"
17	DWM7	PIVOT PIN
18	SHM4	Z-CHANNEL FRAME
19	WM347	COLLAR
20	SHM22	HEAD DRIVE ROLLER
21	WM183	PIVOT BUSHING
22	WM218	WASHER
23	YWLO32005	WASHER, LOCK, 1"
24	YBHH32005	BOLT, 1"-8 X 2-1/2" GR. 5 FULL THREAD
25	SHM23	SPACER PVC
26	SHM12	BEARING BRACKET LH
27	WM180	SIDE PANEL SLOT PLATE
28	SHM13	BEARING BRACKET RH
29	SHM8	PICKUP LIFTER
30	DWM57	SPACER

NOTE: * (MEANS NOT SHOWN)

FIGURE 5
12' LEFT PICK-UP HEAD

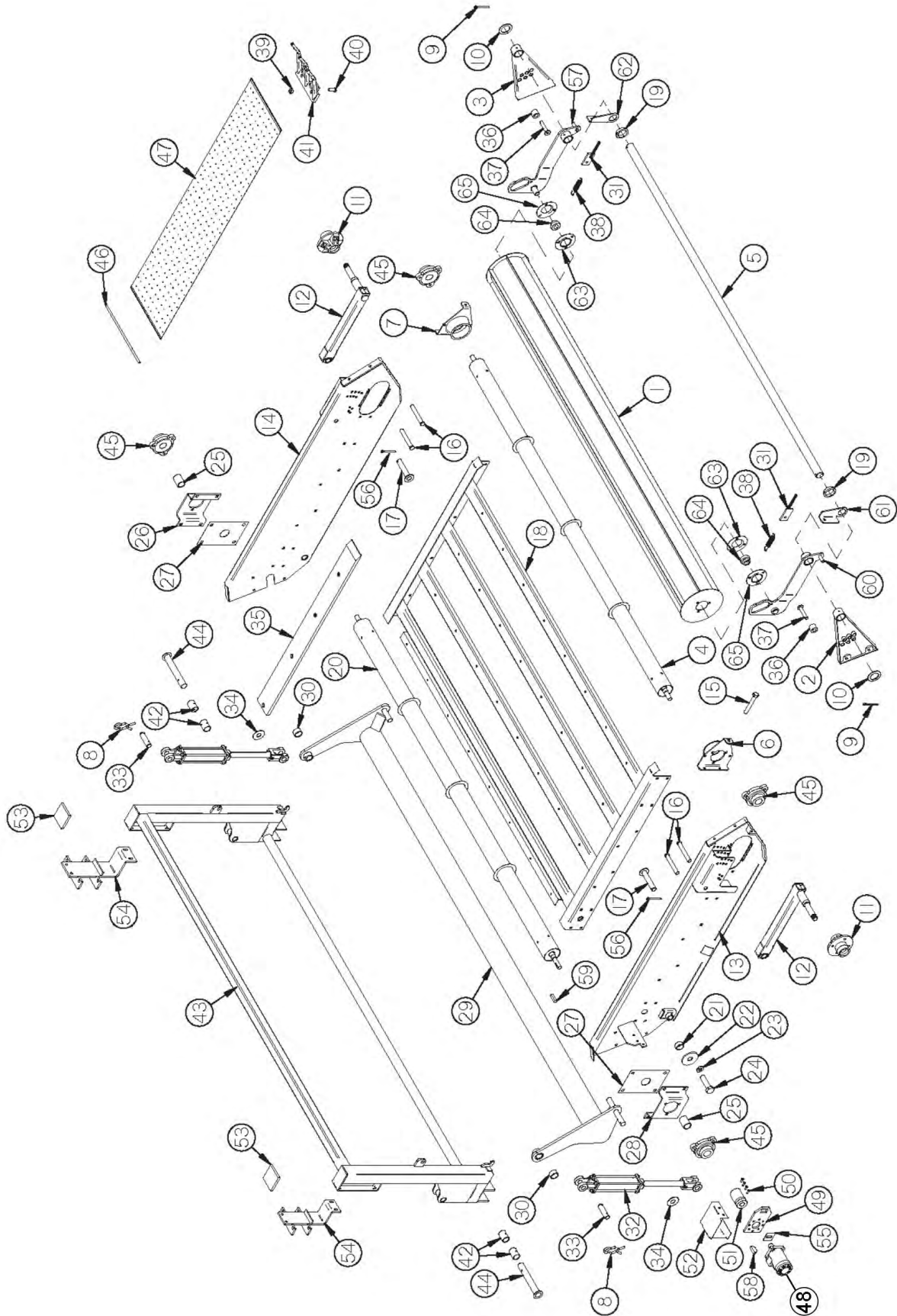


FIGURE 5

12' LEFT PICK-UP HEAD

<u>ITEM</u>	<u>PART #</u>	<u>DESCRIPTION</u>
31	12V78	TIGHTENER BRACKET
32	BFR69A	HYDRAULIC CYLINDER
*	X94	CYLINDER SPACER
33	T143	CYLINDER PIN
34	16SV136	WASHER
35	DWM358	SLIDES
36	WM353	POLY BUMPER
37	WM354	ADJUSTMENT PIN
38	ST36	SPRING
39	YNLK08005	HEX NUT, LOCK, KEPS, 1/4"-20
40	YBEV08005	BOLT, ELEVATOR, 1/4"-20 X 3/4"
41	SWM1	PICKUP TOOTH
42	RG132	BUSHING 1-1/4" ID X 2"
43	SHM7	HEAD MOUNT
44	DWM21	HEAD PIN
45	55660	3 BOLT PILLOW BLOCK BRG W/COLLAR
46	SWM41	LACING PIN
47	56679	PICKUP BELT
*	DWM367	REPAIR DUTCHMAN ASSEMBLY
*	DWM373	COMP. REPAIR DUTCHMAN KIT W/ NUTS, BOLTS &
48	DWM84	CLIPS HYDRAULIC MOTOR (101-3048)
*	WM225	SEAL KIT
49	DWM39	HYDRAULIC MOTOR MOUNT
50	DWM137	CAP SCREW - COUPLER
51	DWM27	COUPLER
52	DWM43	LEFT HEAD SHIELD
53	SHM10	HEAD SPACER
54	DWM32	HANGER SLIDE
55	DWM45	MOTOR SPACER
56	YPCT06020	COTTER PIN, 3/16" X 2"
57	WM348	LEFT ARM
58	5B10	KEY 1/4" X 1" WOODRUFF
59	G23B	5/16" X 1-3/8" KEY
60	WM349	RIGHT ARM
61	WM362	SPRING TIGHTENER BRACKET RIGHT
62	WM363	SPRING TIGHTENER BRACKET LEFT
63	F14	BEARING FLANGE
64	12N122	1-1/4" BEARING W/LOCK COLLAR
65	F114A	BEARING FLANGE (45° ZERK)

NOTE: * (MEANS NOT SHOWN)

FIGURE 6
12' RIGHT PICK-UP HEAD

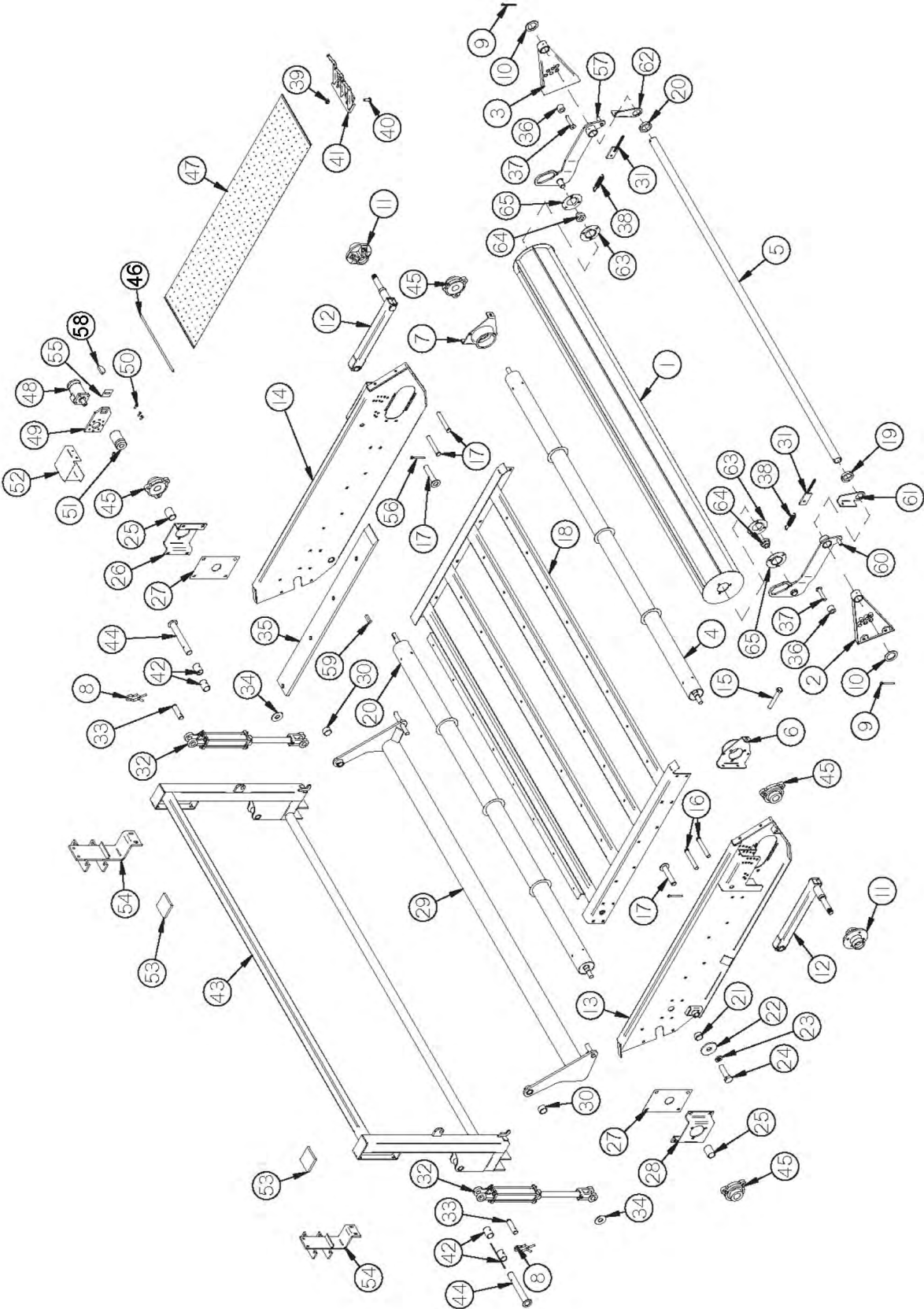


FIGURE 6

12' RIGHT PICK-UP HEAD

<u>ITEM</u>	<u>PART #</u>	<u>DESCRIPTION</u>
1	WM352	12' CROP ROLLER
2	WM350	RIGHT BRACKET
3	WM351	LEFT BRACKET
4	SHM21	FRONT IDLER ROLLER
5	WM346	FRONT SUPPORT
6	WM179	RIGHT ROLLER ADJUSTMENT BRKT.
7	WM192	LEFT ROLLER ADJUSTMENT BRKT.
8	T144	CLIP PINS
9	YPCT08010	COTTER PIN, 1/4" X 2-1/2"
10	DWM227	WIND GUARD WASHER
11	CAT177	HUB - COMPLETE
*	CAT135A	SEAL
*	CAT10	BEARING (2)
*	BFR275	RACE (2)
*	CAT136A	HUB W/ RACES
*	YBSD16007	STUD BOLT, 1/2"-20 UNF X 1-7/8" (9/16" SHOULDER)
*	BFR144	LUG NUT
*	BFR65	COTTER PIN
*	CAT46	HUB CAP
*	CAT211	WHEEL 8 X 7 (5-BOLT)
*	CAT166	TIRE 18.5 X 8.5 X 8
*	YNSL32005	HEX NUT SLOTTED 1"-14
*	CAT52	TIRE/WHEEL ASSEMBLY
12	DWM229	GAUGE ARMS
13	DWM342	RIGHT HEAD - RIGHT PANEL
14	DWM343	RIGHT HEAD - LEFT PANEL
15	YBHH16115	BOLT, 1/2" X 3-1/2" GR. 5 (ZINC)
16	YPCV16020	CLEVIS PIN, 1/2" X 5"
17	DWM7	PIVOT PIN
18	SHM4	Z-CHANNEL FRAME
19	WM347	COLLAR
20	SHM22	HEAD DRIVE ROLLER
21	WM183	PIVOT BUSHING
22	WM218	WASHER
23	YWLO32005	WASHER, LOCK, 1"
24	YBHH32005	BOLT, 1"-8 X 2-1/2" GR. 5 FULL THREAD
25	SHM23	SPACER PVC
26	SHM12	BEARING BRACKET LH
27	WM180	SIDE PANEL SLOT PLATE
28	SHM13	BEARING BRACKET RH
29	SHM8	PICKUP LIFTER
30	DWM57	SPACER

NOTE: * (MEANS NOT SHOWN)

FIGURE 6

12' RIGHT PICK-UP HEAD

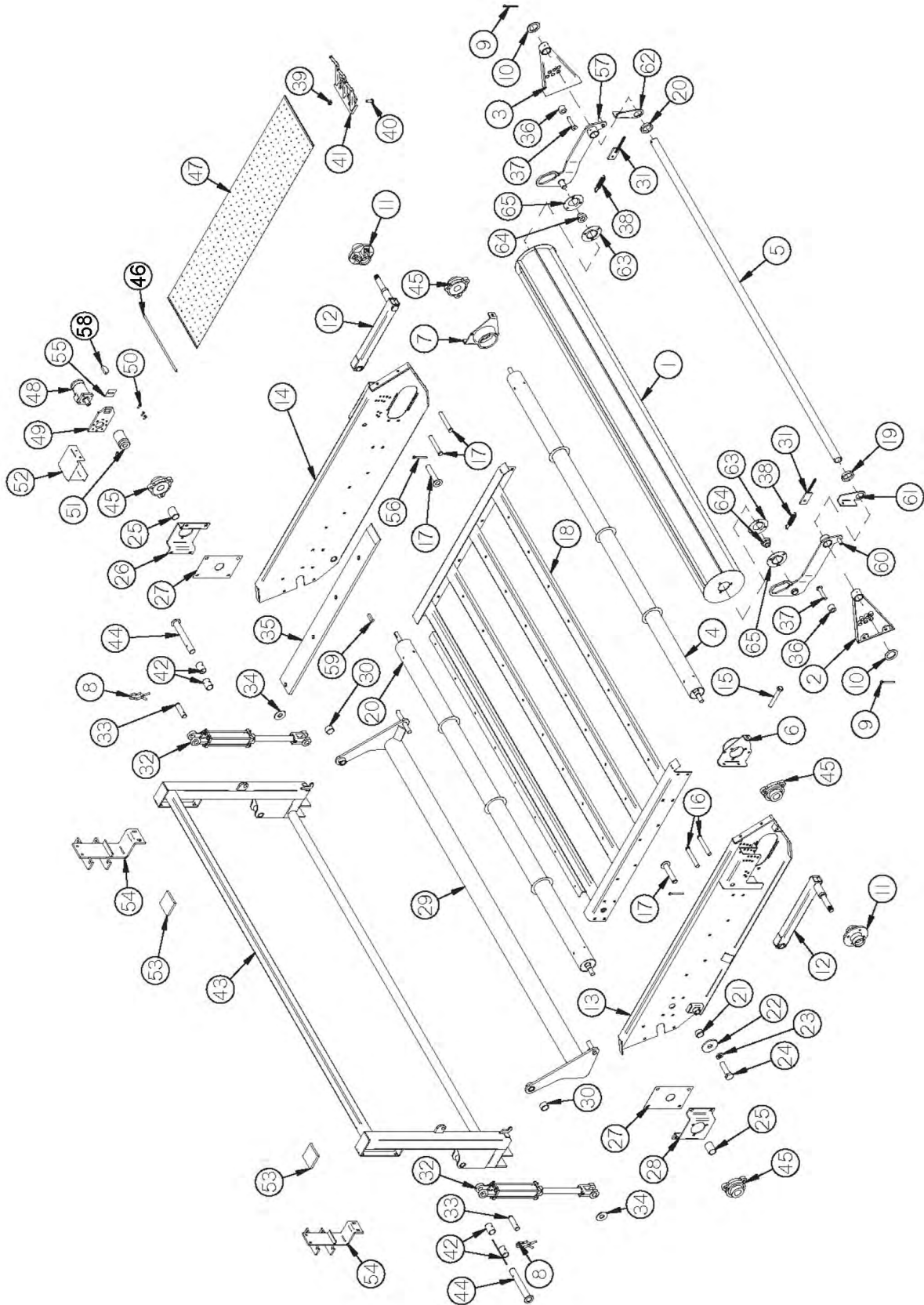


FIGURE 6

12' RIGHT PICK-UP HEAD

<u>ITEM</u>	<u>PART #</u>	<u>DESCRIPTION</u>
31	12V78	TIGHTENER BRACKET
32	BFR69A	HYDRAULIC CYLINDER
*	X94	CYLINDER SPACER
33	T143	CYLINDER PIN
34	16SV136	WASHER
35	DWM358	SLIDES
36	WM353	POLY BUMPER
37	WM354	ADJUSTMENT PIN
38	ST36	SPRING
39	YNLK08005	HEX NUT, LOCK, KEPS, 1/4"-20
40	YBEV08005	BOLT, ELEVATOR, 1/4"-20 X 3/4"
41	SWM1	PICKUP TOOTH
42	RG132	BUSHING 1-1/4" ID X 2"
43	SHM7	HEAD MOUNT
44	DWM21	HEAD PIN
45	55660	3 BOLT PILLOW BLOCK BRG W/COLLAR
46	SWM41	LACING PIN
47	56679	PICKUP BELT
*	DWM367	REPAIR DUTCHMAN ASSEMBLY
*	DWM373	COMP. REPAIR DUTCHMAN KIT W/ NUTS, BOLTS &
48	DWM84	CLIPS HYDRAULIC MOTOR (101-3048)
*	WM225	SEAL KIT
49	DWM39	HYDRAULIC MOTOR MOUNT
50	DWM137	CAP SCREW - COUPLER
51	DWM27	COUPLER
52	DWM40	RIGHT HEAD SHIELD
53	SHM10	HEAD SPACER
54	DWM32	HANGER SLIDE
55	DWM45	MOTOR SPACER
56	YPCT06020	COTTER PIN, 3/16" X 2"
57	WM348	LEFT ARM
58	5B10	KEY 1/4" X 1" WOODRUFF
59	G23B	5/16" X 1-3/8" KEY
60	WM349	RIGHT ARM
61	WM362	SPRING TIGHTENER BRACKET RIGHT
62	WM363	SPRING TIGHTENER BRACKET LEFT
63	F14	BEARING FLANGE
64	12N122	1-1/4" BEARING W/LOCK COLLAR
65	F114A	BEARING FLANGE (45° ZERK)

NOTE: * (MEANS NOT SHOWN)

FIGURE 7
9' & 12' POLE CIRCUIT HYDRAULICS

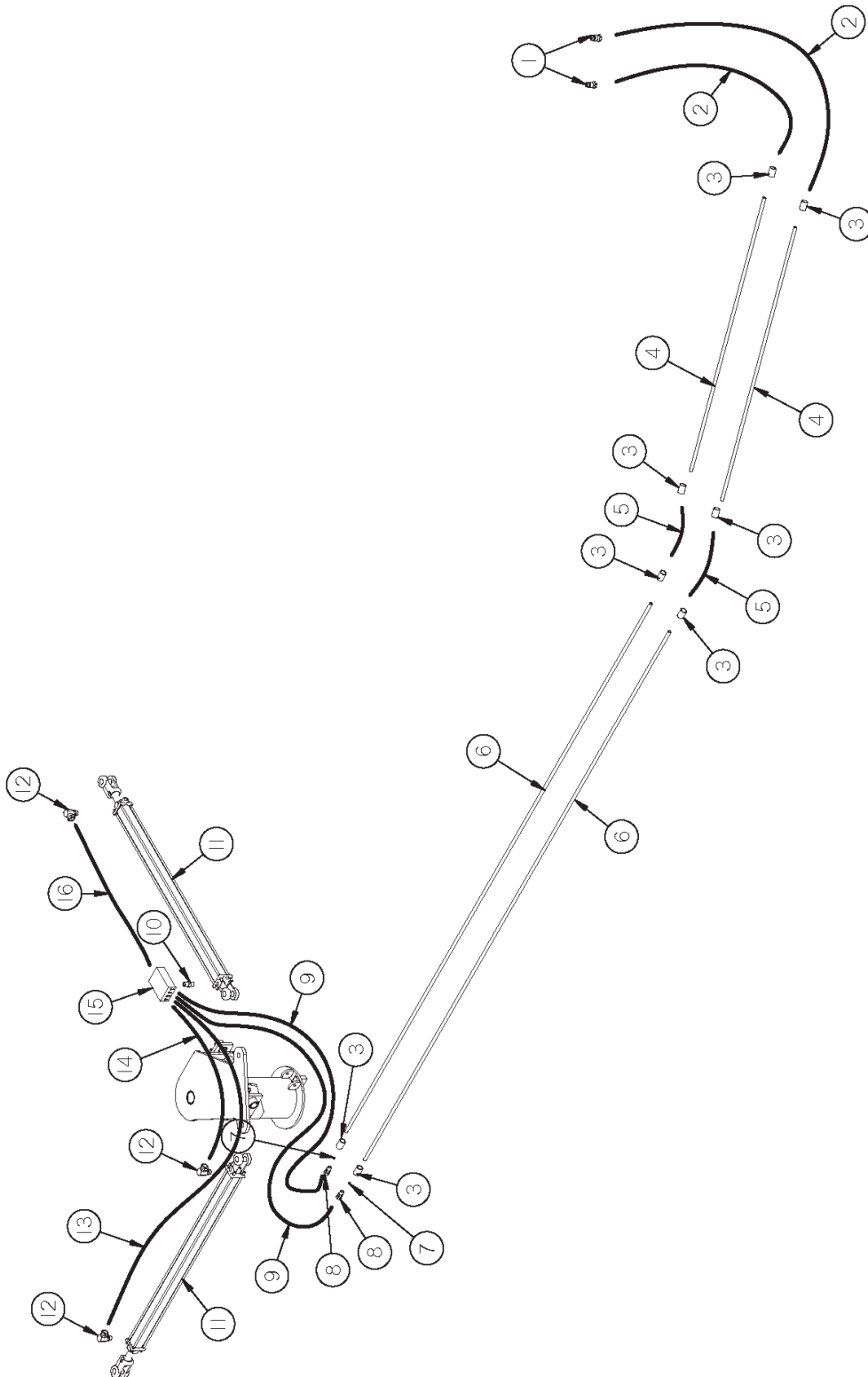


FIGURE 7

9' & 12' POLE CIRCUIT HYDRAULICS

<u>ITEM</u>	<u>PART #</u>	<u>DESCRIPTION</u>
1	DWM205	1/2" QUICK MALE COUPLERS
2	DWM85	HYDRAULIC HOSE 1/4" X 66" 3/8" MP & 1/2" MP
3	HE60	3/8" PIPE COUPLER
4	DWM63	SHORT POLE PIPE
5	DWM154	HYDRAULIC HOSE 1/4" X 24" 3/8" MP & 3/8" MP
6	DWM62	LONG POLE PIPE
7	DWM135	ORIFICE .094
8	BFR122	3/8" UNION ADAPTER
9	DWM92	HYDRAULIC HOSE 1/4" X 30" 3/8" MP & 3/8" MP
10	WM141	1/2" NIPPLE NUT
11	DWM406	3 1/2" X 30" CYLINDER
12	DWM415	1/2"-90 DEG SWIVEL ADAPTER
13	DWM101	HYDRAULIC HOSE 1/2" X 49" 1/2" MP & 1/2" MP
14	DWM104	HYDRAULIC HOSE 1/2" X 19" 1/2" MP & 1/2" MP
15	DWM414	POLE LOCKING AND RELIEVING VALVE
16	DWM106	HYDRAULIC HOSE 1/2" X 33" 1/2" MP & 1/2" MP

FIGURE 8

9' ELECTRIC HEAD HYDRAULICS

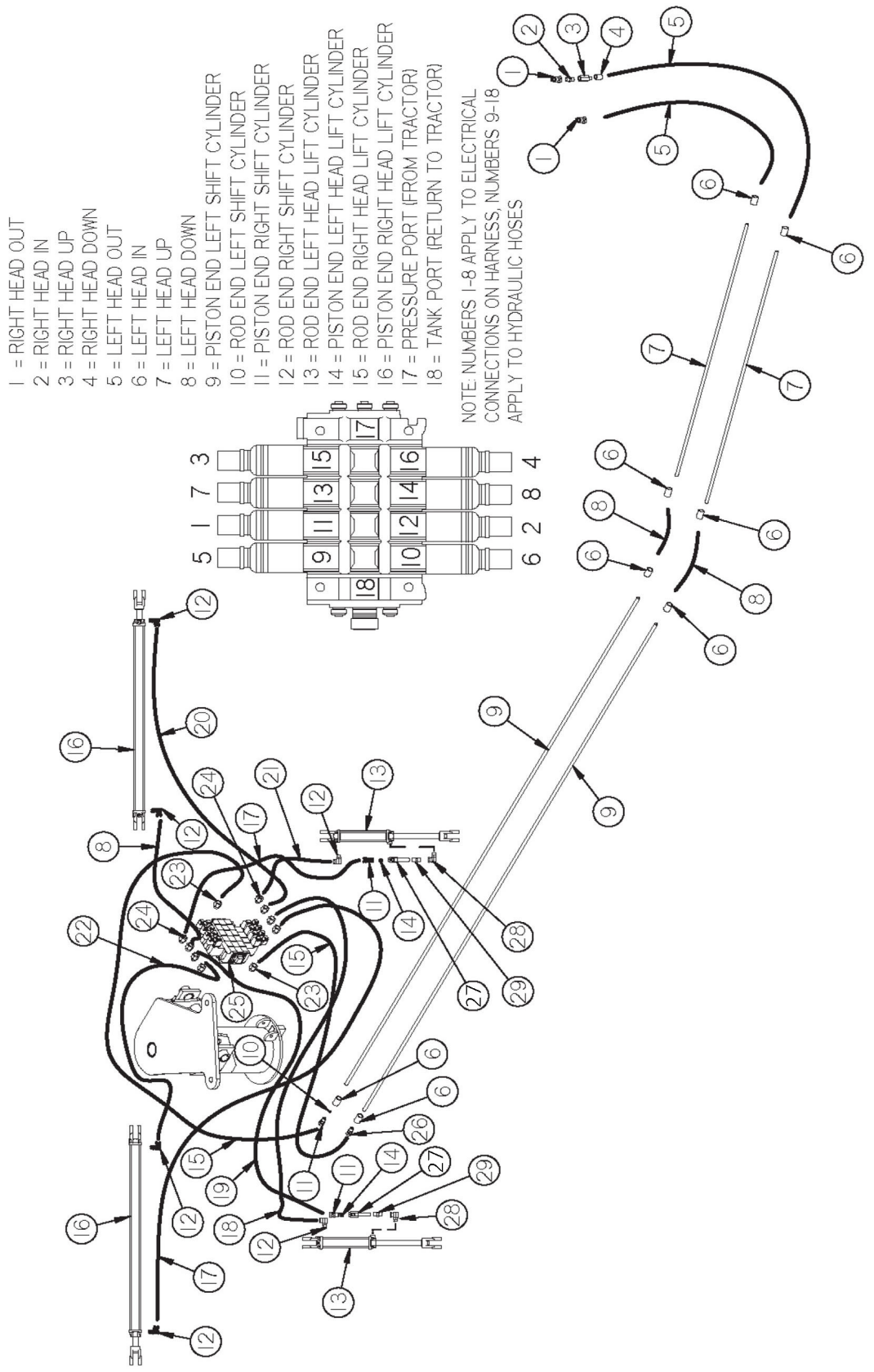


FIGURE 8

9' ELECTRIC HEAD HYDRAULICS

<u>ITEM</u>	<u>PART #</u>	<u>DESCRIPTION</u>
1	DWM205	1/2" MALE QUICK COUPLER
2	WM141	1/2" NIPPLE NUT
3	DF18	1/2" CHECK VALVE
4	LW346	1/2" COUPLER (5000-8-8)
5	DWM85	HYDRAULIC HOSE 1/4" X 66" 3/8" MP & 1/2" MP
6	HE60	3/8" PIPE COUPLER
7	DWM63	HYDRAULIC LINE
8	DWM154	HYDRAULIC HOSE 1/4" X 24" 3/8" MP & 3/8" MP
9	DWM62	HYDRAULIC LINE
10	DWM135	ORIFICE .094
11	BFR122	3/8" ADAPTER UNION
12	DWM110	3/8" STREET ELBOW W/ 90° SWIVEL
13	BFR69A	COMPLETE CYLINDER
14	DWM250	.042 ORIFICE
15	DWM88	HYDRAULIC HOSE 1/4" X 60" 3/8"MP & 3/8"MP
16	DWM152	HYDRAULIC CYLINDER
17	DWM89	HYDRAULIC HOSE 1/4" X 78" 3/8"MP & 3/8"MP
18	DWM381	HYDRAULIC HOSE 1/4" X 90" 3/8"MP & #6 SAE O-RING 90°
19	DWM382	HYDRAULIC HOSE 1/4" X 96" 3/8"MP & #6 SAE O-RING 90°
20	DWM156	HYDRAULIC HOSE 1/4" X 56" 3/8"MP & 3/8"MP
21	DWM383	HYDRAULIC HOSE 1/4" X 66" 3/8"MP & #6 SAE O-RING 90°
22	DWM155	HYDRAULIC HOSE 1/4" X 38" 3/8"MP & 3/8"MP
23	DWM269	3/4" MALE O-RING TO 3/8" PIPE UNION ADAPTER
24	DWM268	9/16" MALE O-RING TO 3/8" PIPE ADAPTER UNION
25	DWM388	ELECTRIC SOLENOID VALVE
26	DWM233	3/8" UNION ADAPTER
27	16SV338	3/8" BALL VALVE
28	23N234	3/8" STREET ELBOW
29	16SV351	3/8" NIPPLE NUT

FIGURE 9

12' HEAD HYDRAULICS

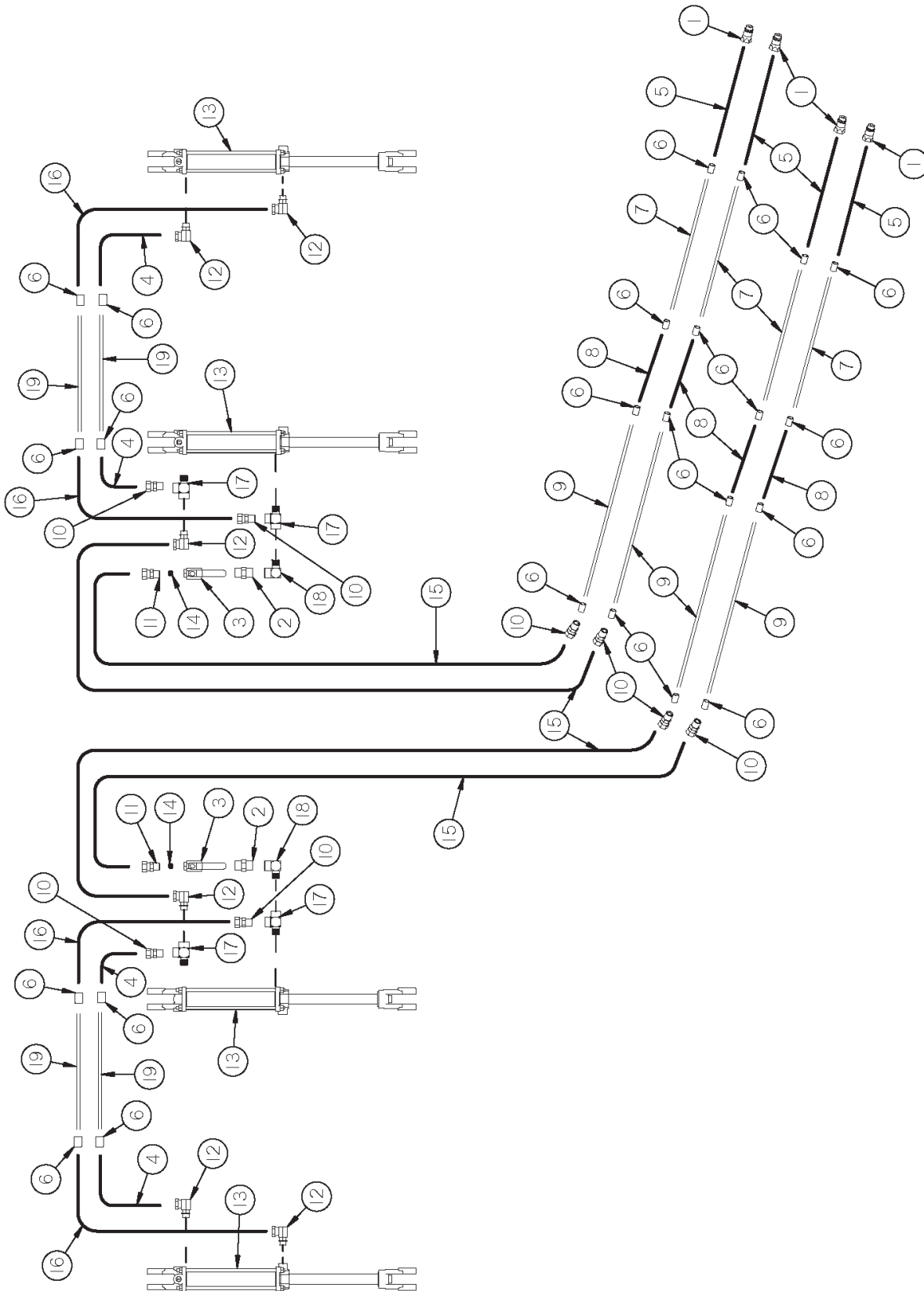


FIGURE 9

12' HEAD HYDRAULICS

<u>ITEM</u>	<u>PART #</u>	<u>DESCRIPTION</u>
1	DWM205	1/2" MALE QUICK COUPLER
2	16SV351	3/8" NIPPLE NUT
3	16SV338	3/8" BALL VALVE
4	SHM14	HYDRAULIC HOSE 1/4" X 30" - 3/8 MP & 3/8 MP
5	DWM85	HYDRAULIC HOSE 1/4" X 66" - 3/8 MP & 1/2 MP
6	HE60	3/8" PIPE COUPLER
7	DWM63	HYDRAULIC LINE
8	DWM154	HYDRAULIC HOSE 1/4" X 24" 3/8"MP & 3/8"MP
9	DWM62	HYDRAULIC LINE
10	DWM233	3/8" UNION ADAPTER
11	BFR122	3/8" ADAPTER UNION
12	DWM110	3/8" STREET ELBOW W/ 90° SWIVEL
13	BFR69A	COMPLETE CYLINDER
14	BFR120	.062 RESTRICTOR
15	DWM88	HYDRAULIC HOSE 1/4" X 60" 3/8"MP & 3/8"MP
16	SHM15	HYDRAULIC HOSE 1/4" X 40" 3/8"MP & 3/8"MP (5000 PSI)
17	23N116	3/8" STREET TEE
18	23N234	3/8" STREET ELBOW
19	DWM416	HEAD LIFT PIPE

FIGURE 10

9' & 12' MAIN FRAME HYDRAULICS

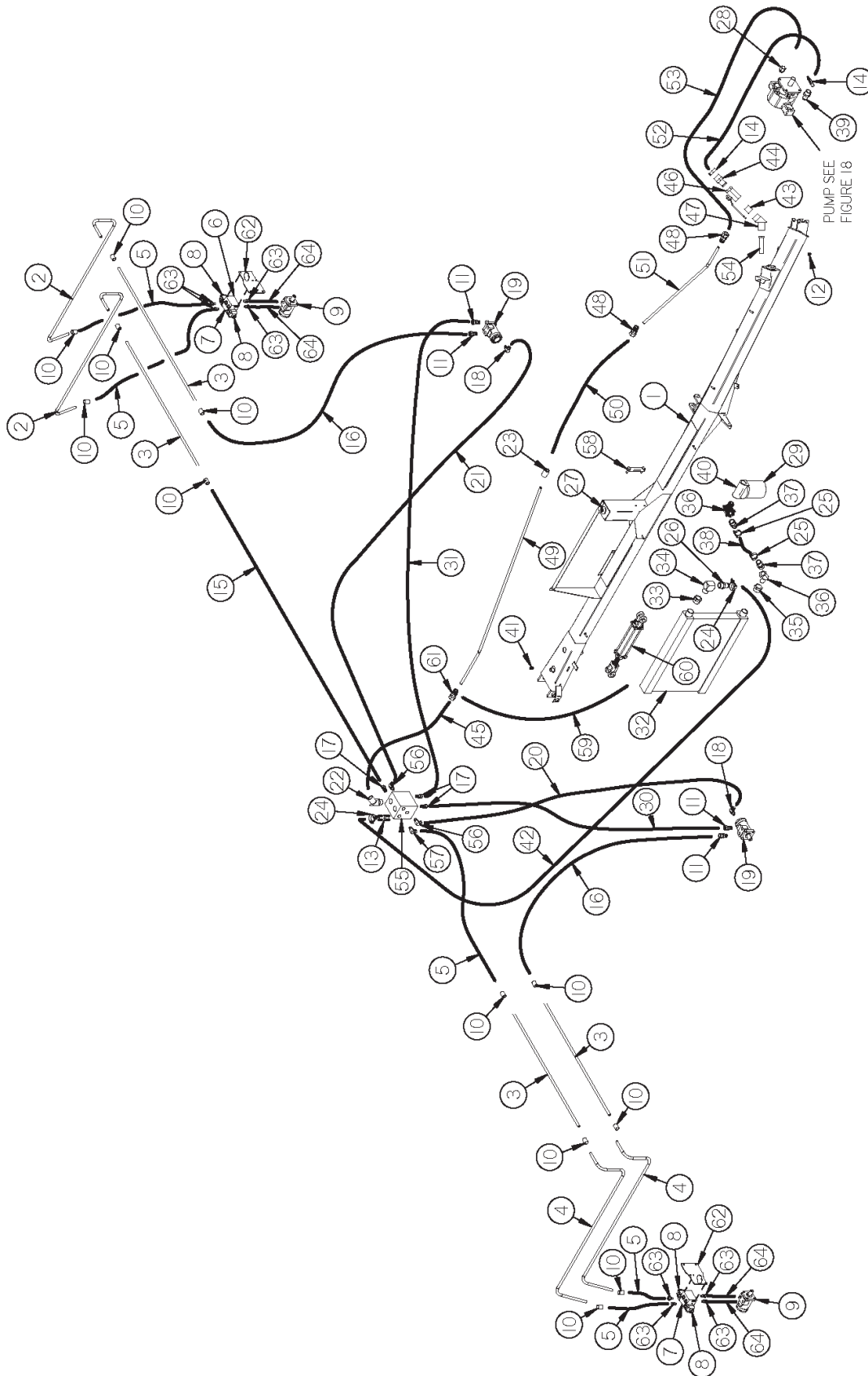


FIGURE 10

9' & 12' MAIN FRAME HYDRAULICS

<u>ITEM</u>	<u>PART #</u>	<u>DESCRIPTION</u>
1	DWM442	POLE TANK
2	DWM234	MOTOR TUBING A
3	DWM235	MOTOR PIPE
4	DWM236	MOTOR TUBING B
5	DWM102	HYDRAULIC HOSE 1/2" X 25" 1/2" MP & 1/2" MP
6	DWM457	VALVE BASE
7	DWM446	VALVE (COMPLETE)
8	DWM458	COIL
*	DWM469	VK KNOB
9	DF1	CROSS CONVEYOR MOTOR (101-2970) SEAL
*	WM225	KIT
10	LW346	1/2" COUPLER (5000-8-8)
11	LW174	1/2" ADAPTER UNION
12	DWM159	3/4" PIPE PLUG
13	DWM257	1" HOSE BARB
14	DWM122	2" HOSE CLAMP
15	DWM103	HYDRAULIC HOSE 1/2" X 40" 1/2" MP & 1/2" MP
16	DWM101	HYDRAULIC HOSE 1/2" X 49" 1/2" MP & 1/2" MP
17	DWM258	1"-16 O-RING TO 1/2" PIPE UNION ADAPTER
18	DWM119	7/16" TO 3/8" PIPE 90° ADAPTER UNION
19	DWM84	PICK UP MOTOR (101-3048)
*	WM225	SEAL KIT
20	DWM108	HYDRAULIC HOSE 1/4" X 56" 3/8"MP & 1/2" MP
**	SHM14	HYDRAULIC HOSE 1/4" X 30" 3/8" MP & 1/2" MP
21	DWM107	HYDRAULIC HOSE 1/4" X 84" 3/8" MP & 1/2" MP
**	DWM108	HYDRAULIC HOSE 1/4" X 56" 3/8" MP & 1/2" MP
22	DWM413	45 DEG ADAPTER
23	DWM146	1" COUPLING
24	DWM123	1" HOSE CLAMP
25	DWM138	1-1/4" HOSE CLAMP
26	DWM145	1" HOSE BARB
27	DWM81	STRAINER - FILLER
28	DWM259	1-5/8" O-RING TO 1" PIPE CONNECTOR
29	STM23	FILTER
30	DWM105	HYDRAULIC HOSE 1/2" X 63" 1/2" MP & 1/2" MP
**	DWM102	HYDRAULIC HOSE 1/2" X 25" 1/2" MP & 1/2" MP
31	DWM100	HYDRAULIC HOSE 1/2" X 77" 1/2" MP & 1/2" MP
**	DWM103	HYDRAULIC HOSE 1/2" X 40" 1/2" MP & 1/2" MP

NOTE: * (MEANS NOT SHOWN)

**** (12' TWIN MERGER ONLY)**

FIGURE 10

9' & 12' MAIN FRAME HYDRAULICS

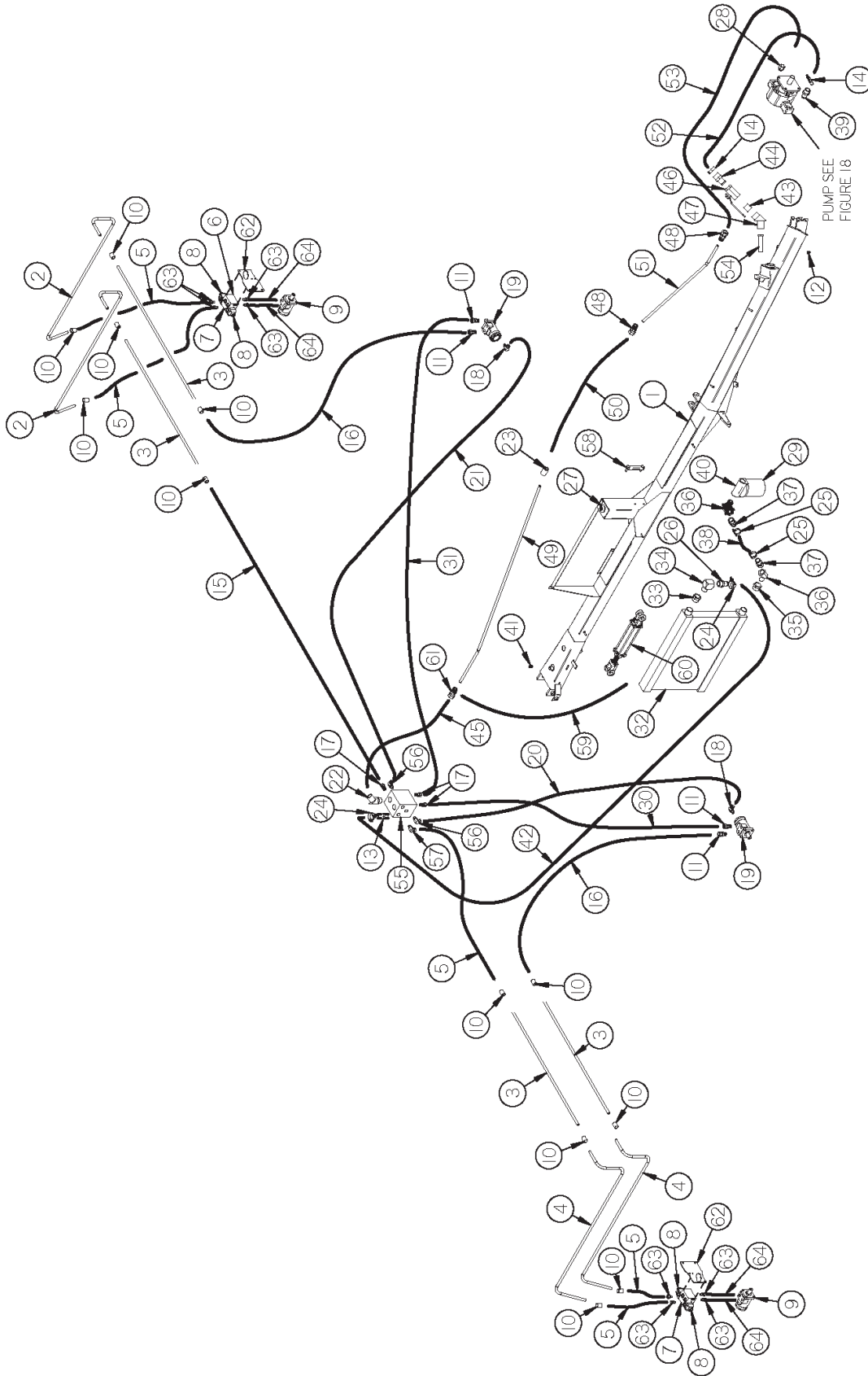


FIGURE 10

9' & 12' MAIN FRAME HYDRAULICS

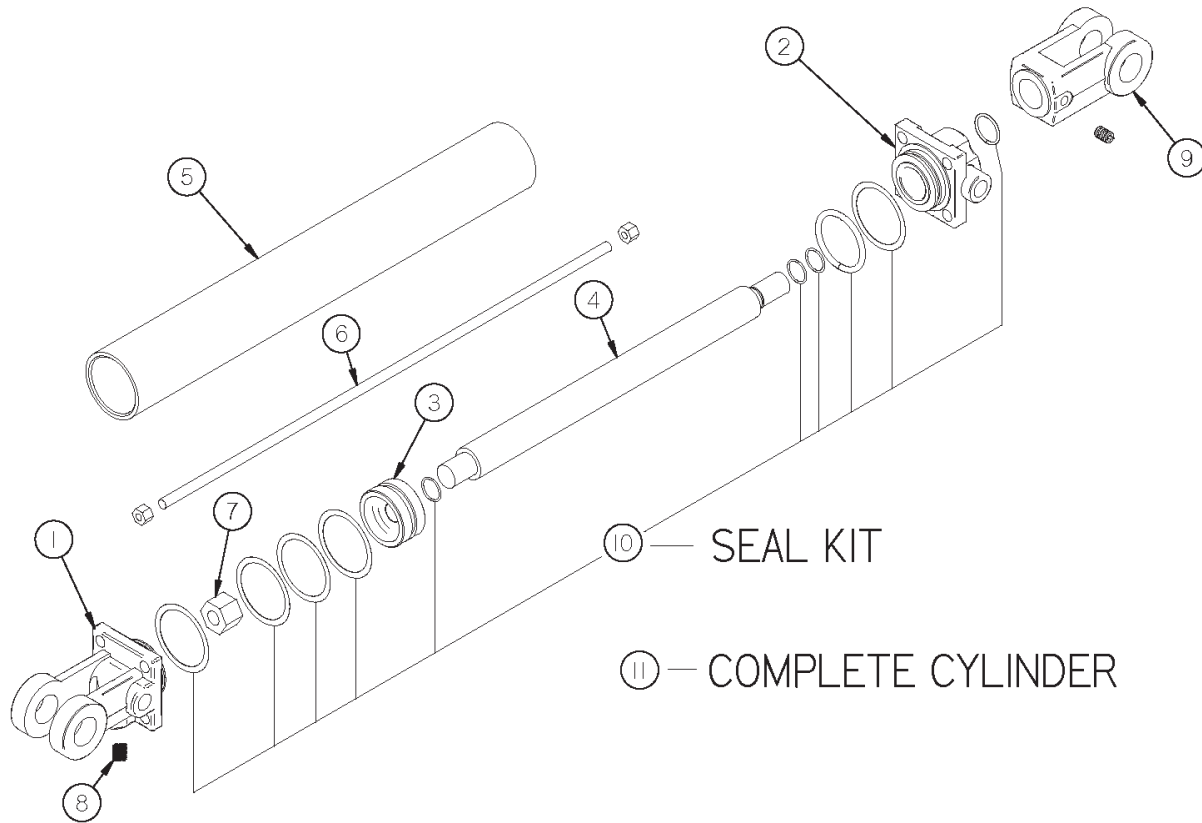
<u>ITEM</u>	<u>PART #</u>	<u>DESCRIPTION</u>
32	DWM78	OIL COOLER
*	DWM319	FANASSEMBLY
33	DWM239	BUSHING 1-1/2" TO 1" (BLACK IRON)
34	DWM240	1" STREET ELBOW (BLACK IRON)
35	DWM241	BUSHING 1-1/2" TO 1-1/4" (BLACK IRON)
36	DWM242	1-1/4" 45° STREET ELBOW (BLACK IRON)
37	DWM143	1-1/4" HOSE BARB
38	DWM95	HYDRAULIC HOSE 1-1/4" X 10"
39	DWM260	HOSE BARB
40	DWM82	FILTER BASE
41	DWM261	1" HEX SOCKETED PIPE PLUG
42	DWM96	HYDRAULIC HOSE 1" X 148"
43	DWM147	2" NIPPLE NUT
44	DWM144	2" HOSE BARB
45	DWM98	HYDRAULIC HOSE 1" X 48" 1" MP & 1" MP
46	DWM83	BALL VALVE
47	DWM267	2" - 45° ELBOW
48	DWM109	1" ADAPTER UNION
49	DWM64	1" X 161" PIPE
50	DWM99	HYDRAULIC HOSE 1" X 24" 1" MP & 1" MP
51	DWM65	1" X 66" PIPE
52	DWM262	SUCTION HOSE 2" X 50"
53	DWM263	TWO WIRE HOSE 1" X 60"
54	DWM80	2" STRAINER
55	DWM264	FLOW DIVIDER
*	DWM401	RELIEF VALVE CARTRIDGE
56	DWM265	3/4" O-RING TO 3/8" PIPE 90° ADAPTER
57	DWM266	1-1/16" O-RING TO 1/2" PIPE 90° ADAPTER
58	DWM204	TEMP & OIL LEVEL GAUGE
59	DWM363	HOSE 1/4" X 31.25"
60	T188A	CYLINDER 2-1/2" X 8"
61	DWM365	1" ADAPTER UNION W/ HOLE
62	DWM450	CONVEYOR REVERSE BRACKET
63	DWM454	UNION ADAPTER (6900-8-8)
64	DWM104	HYDRAULIC HOSE 1/2" X 19"- 1/2"MP X 1/2"MP
*	DWM445	WIRE HARNESS

NOTE: * (MEANS NOT SHOWN)

**** (12' TWIN MERGER ONLY)**

FIGURE 11

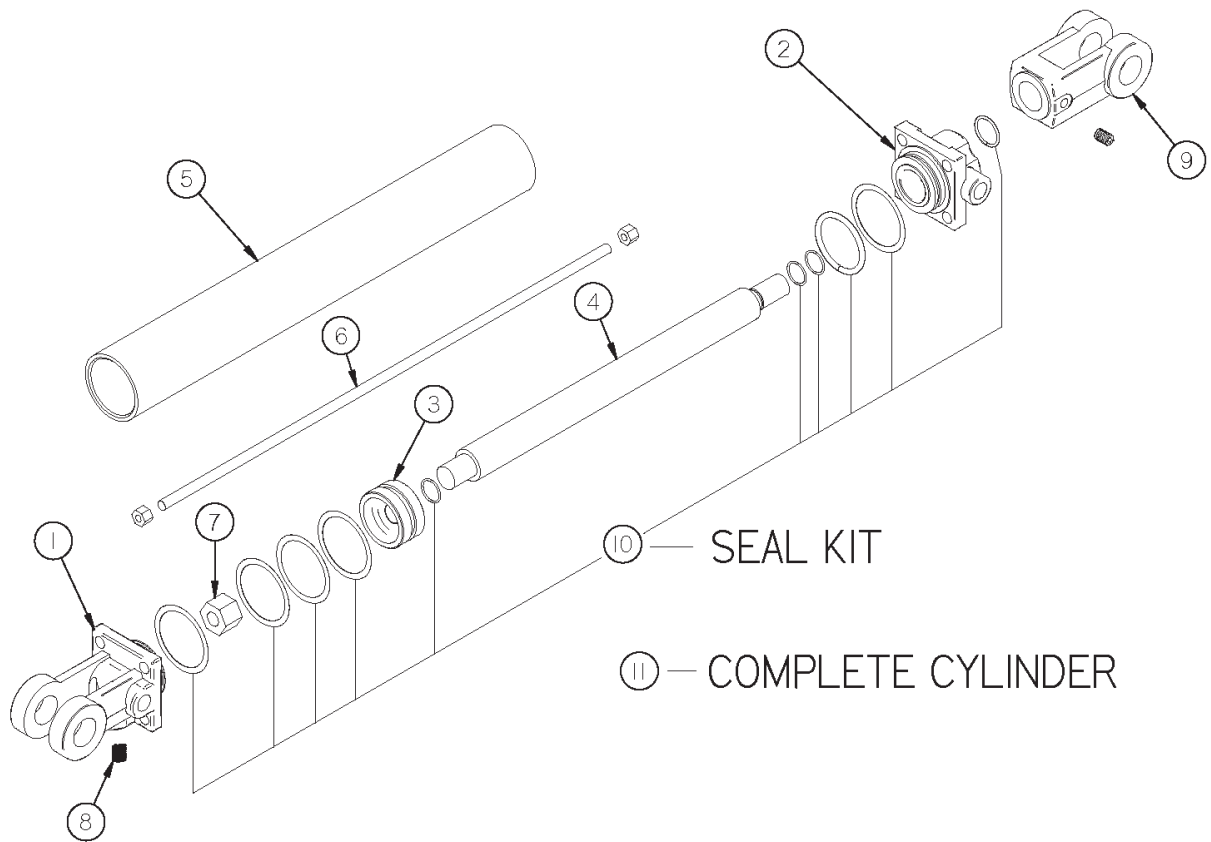
9' & 12' PICK-UP HEAD 2" x 8" HYDRAULIC CYLINDER



<u>ITEM</u>	<u>PART #</u>	<u>DESCRIPTION</u>
1	23N142A	CLEVIS CAP
2	23N143A	ROD CAP
*	56174	ROD CAP FOR 2" CYLINDERS
3	23N144	PISTON
*	56180	PISTON FOR 2" CYLINDER
4	T834A	ROD
5	BFR68	CYLINDER TUBE
6	T186	TIE ROD
7	23N148	PISTON NUT
8	23N149	PLUG
9	23N150A	ROD CLEVIS
10	23N151	SEAL KIT
*	56187	SEAL KIT FOR 2" CYLINDER
11	BFR69A	COMPLETE CYLINDER
*	55999	2" X 8" HYDRAULIC CYLINDER

FIGURE 12

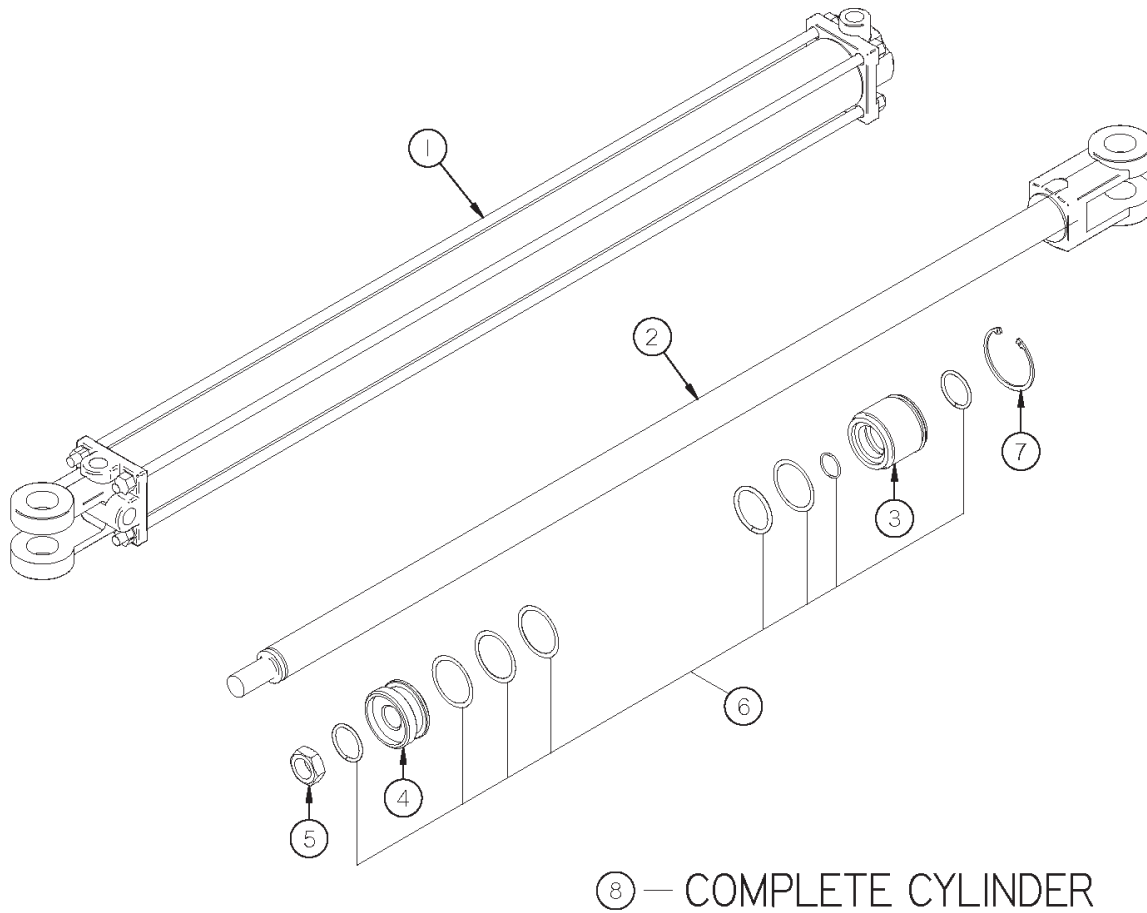
9' & 12' POLE 3-1/2" x 30" HYDRAULIC CYLINDER



<u>ITEM</u>	<u>PART #</u>	<u>DESCRIPTION</u>
1	XR55	CLEVIS CAP
2	HD189	ROD CAP
*	56179	ROD CAP FOR 3.5" CYLINDERS
3	XR57	PISTON
4	DWM420	ROD
5	DWM421	CYLINDER TUBE
6	DWM422	TIE ROD
7	XR61	PISTON NUT
8	XR62	PLUG
9	XR63	ROD CLEVIS
10	HD197	SEAL KIT
*	56192	SEAL KIT FOR 3.5" CYLINDER
11	DWM406	COMPLETE CYLINDER
*	56013	3.5" X 30" HYDRAULIC CYLINDER

FIGURE 13

9' HEAD SHUTTLE 2" x 38" HYDRAULIC CYLINDER

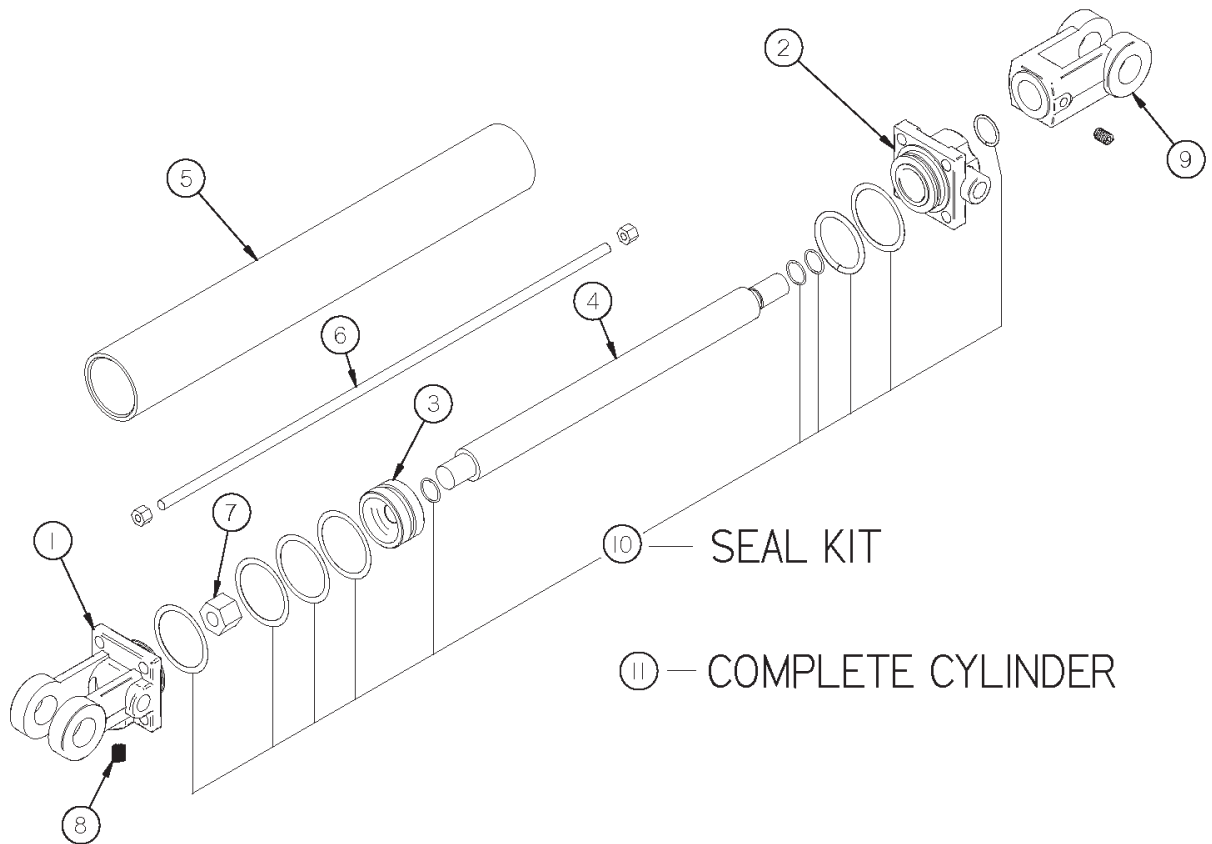


⑧ — COMPLETE CYLINDER

ITEM	PART #	DESCRIPTION
1	DWM202	CASE WELDMENT
2	DWM203	ROD WELDMENT
3	BFR330	HEAD GLAND
4	BFR331	PISTON
5	BFR332	JAM NUT
6	BFR333	SEAL KIT
7	BFR334	SNAP RING
8	DWM152	COMPLETE CYLINDER

FIGURE 14

9' & 12' LOAD LEVELER 2-1/2" x 8" HYDRAULIC CYLINDER



ITEM	PART #	DESCRIPTION
1	T181A	CLEVIS CAP
*	56173	CLEVIS CAP FOR 2.5" CYLINDER
2	T182A	ROD CAP
*	56175	ROD CAP FOR 2.5" CYLINDERS
3	T183	PISTON
*	56181	PISTON FOR 2.5" CYLINDER
4	T184A	ROD CAP
5	T185	CYLINDER TUBE
6	T186	TIE ROD
7	23N148	PISTON NUT
8	23N149	PLUG
9	23N150A	ROD CLEVIS
10	T187	SEAL KIT
*	56188	SEAL KIT FOR 2.5" CYLINDER
11	T188A	COMPLETE CYLINDER
*	56006	2.5" X 8" HYDRAULIC CYLINDER

FIGURE 15

9' ELECTRIC/HYDRAULIC VALVE BREAKDOWN

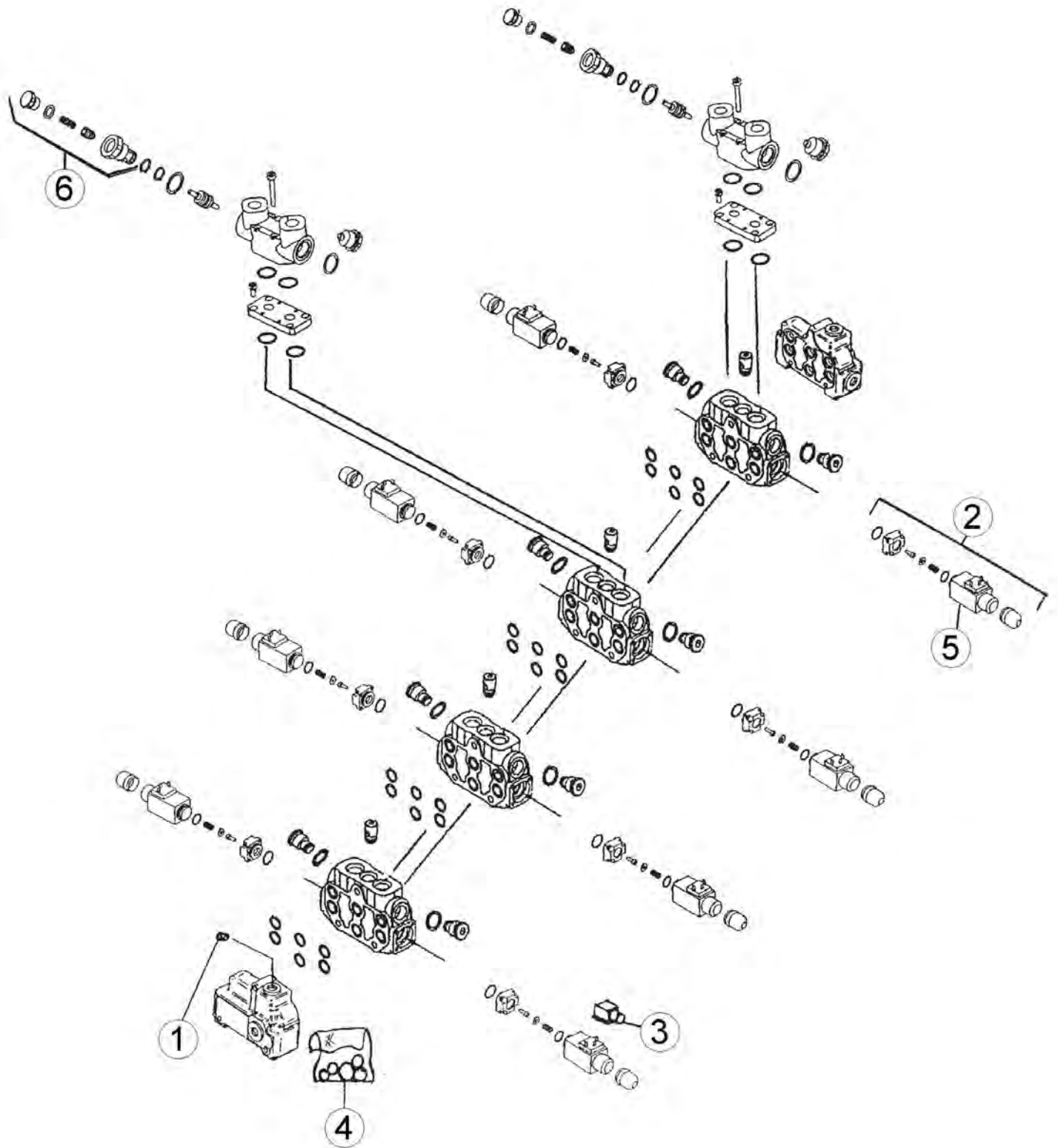


FIGURE 15

9' ELECTRIC/HYDRAULIC VALVE BREAKDOWN

<u>ITEM</u>	<u>PART #</u>	<u>DESCRIPTION</u>
1	DWM389	CLOSE CENTER PLUG
2	DWM390	SOLENOID ASSEMBLY
3	DWM305	DIN CONNECTOR
4	DWM391	SEAL KIT
5	DWM392	SOLENOID BLOCK & PIN
6	DWM393	CHECK VALVE REPAIR KIT
*	DWM388	COMPLETE VALVE

NOTE: * MEANS NOT SHOWN

FIGURE 16
9' & 12' ELECTRIC WIRING HARNESS

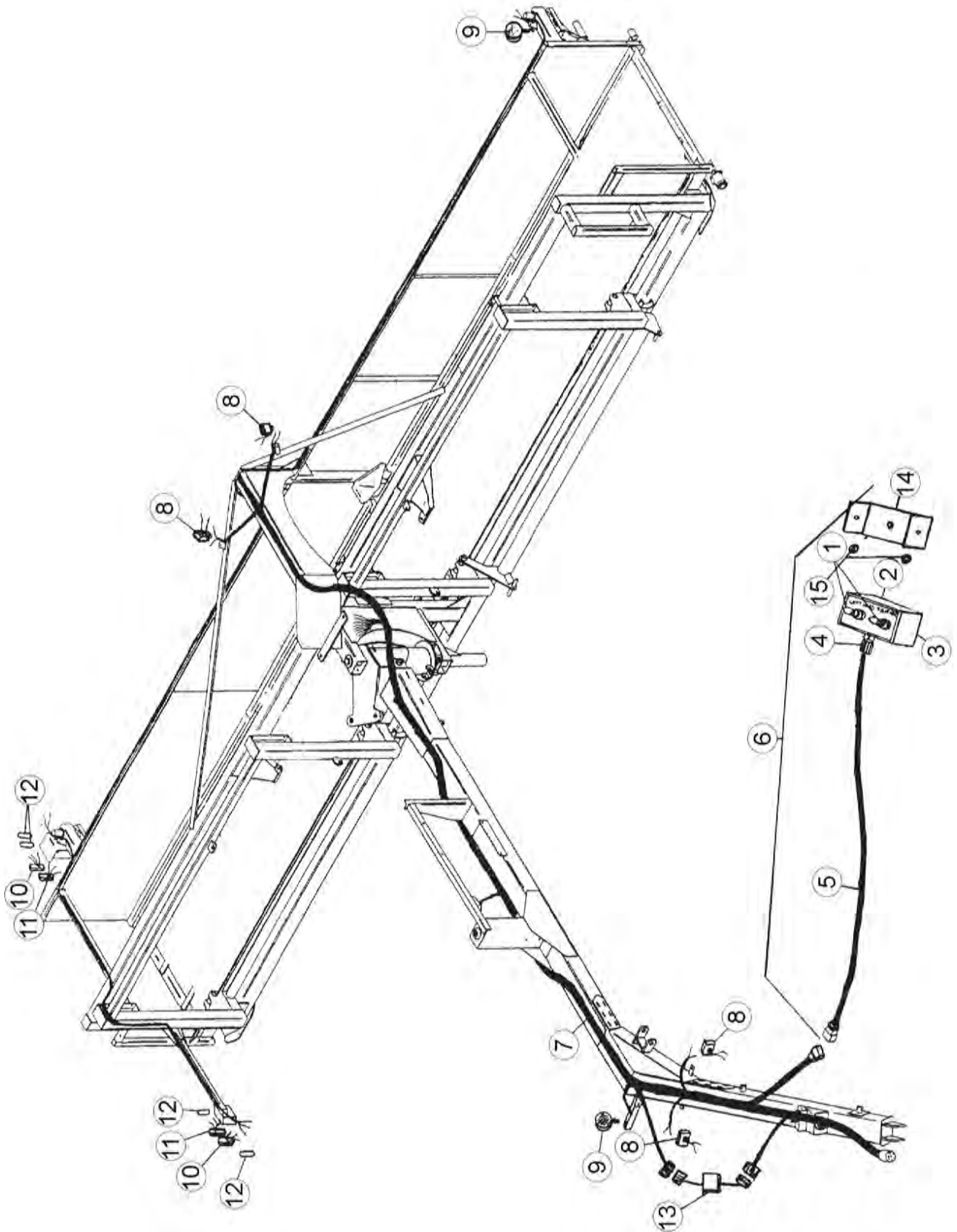


FIGURE 16

9' & 12' ELECTRIC WIRING HARNESS

<u>ITEM</u>	<u>9' HEAD</u>	<u>12' HEAD</u>	<u>DESCRIPTION</u>
1	DWM174	-	JOY STICK & SWITCH
2	DWM139	-	CONTROL BOX TOP
3	DWM140	-	CONTROL BOX BOTTOM
4	DWM175	-	STRAIN RELIEF
5	WMC2A	-	CORD
6	DWM167	-	COMPLETE ELECTRIC HEAD CONTROL BOX
7	DWM165	SHM1	MAIN WIRING HARNESS
8	DWM130	"	FLOOD/WORK LIGHTS
9	DWM129	"	YELLOW HAZARD LIGHTS
10	DWM131	"	YELLOW TAIL LIGHTS
11	S310	"	RED TAIL LIGHTS
12	S308	"	RUBBER LIGHT MOUNT
13	S441	"	LIGHT MODULE
14	DWM326	-	CONTROL BOX YOKE
15	DWM327	-	POLY WASHER

NOTE: - (MEANS NOT USED ON THIS MODEL)

" (MEANS SAME PART AS PREVIOUS MODEL)

FIGURE 17
9' & 12' PTO ASSEMBLY

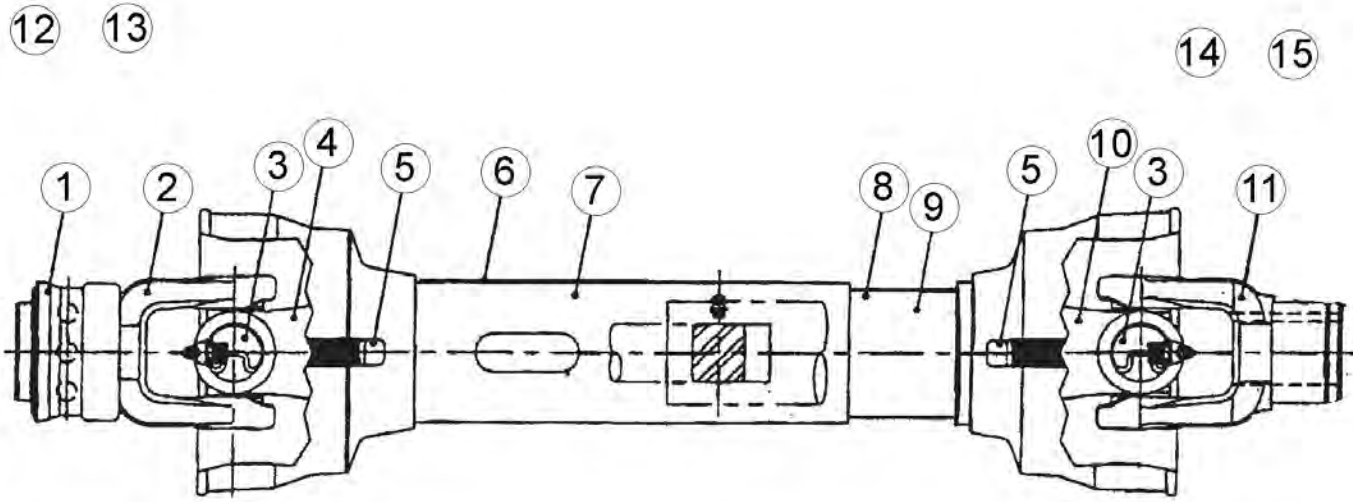


FIGURE 17

9' & 12' PTO ASSEMBLY

<u>ITEM</u>	<u>PART #</u>	<u>DESCRIPTION</u>
1	S225	SPRING LOCK REPAIR KIT
2	37N73	SPRING LOCK YOKE ASSEMBLY #14121-1012
3	14NW KIT	14R CROSS & BEARING KIT
4	DWM289	YOKE & SHAFT
5	4N20	NYLON REPAIR KIT
6	DWM290	SAFETY SIGN
7	DWM291	OUTER GUARD
8	DWM292	INNER GUARD
9	16SV388	SAFETY SIGN (NOT SHOWN)
10	DWM294	YOKE, TUBE & SLIP SLEEVE
11	DWM295	YOKE
12	DWM296	JOINT & SHAFT HALF ASSEMBLY W/ GUARD
13	DMW297	JOINT & SHAFT HALF ASSEMBLY
14	DWM298	JOINT & TUBE HALF ASSEMBLY W/ GUARD
15	DWM299	JOINT & TUBE HALF ASSEMBLY
*	DWM300	COMPLETE PTO
*	S402	PTO MANUAL

NOTE: * (MEANS NOT SHOWN)

FIGURE 18
9' & 12' HITCH ASSEMBLY

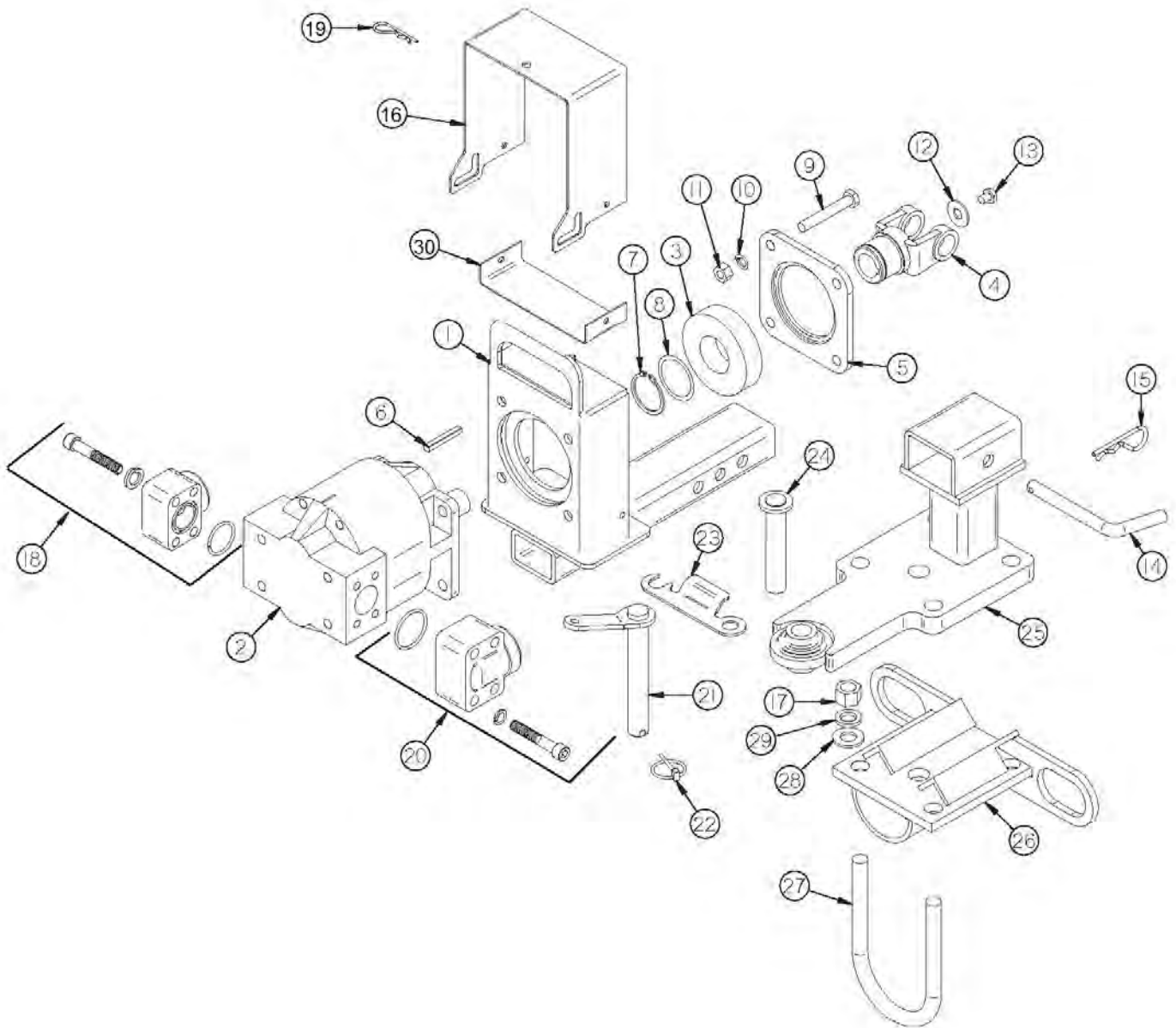


FIGURE 18

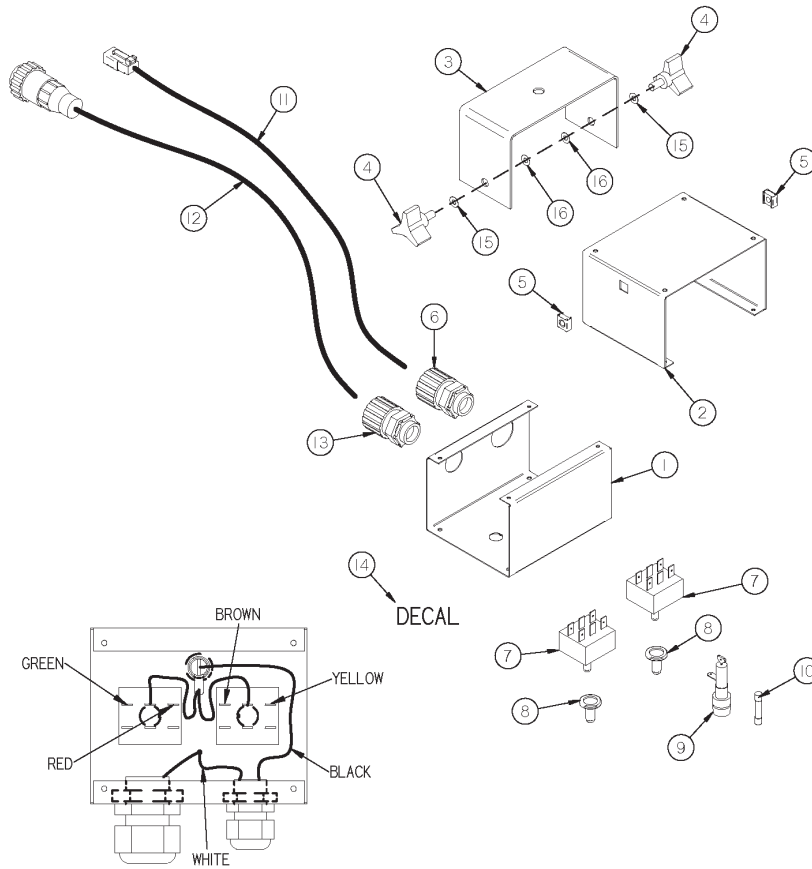
9' & 12' HITCH ASSEMBLY

<u>ITEM</u>	<u>PART #</u>	<u>DESCRIPTION</u>
1	DWM336	RECEIVER PUMP MOUNT
2	DWM276	PTO PUMP
*	DWM302	REPLACEMENT SHAFT SEAL
3	DWM277	THRUST ROLLER BEARING
4	DWM295	PTO YOKE (SEE PTO DRAWING FIG. 17)
5	DWM278	OUTSIDE BEARING HOUSING
6	DWM279	KEY 5/16" X 2-1/4" (W/ GROUND EDGES)
7	DWM280	SNAP RING 2"
8	G92	SHIM (AS NEEDED)
9	YBHH16120	BOLT, 1/2" X 3-1/4" GR. 5
10	YWLO16005	WASHER, LOCK, 1/2"
11	YNHX16005	HEX NUT, 1/2" GR. 5 (ZINC)
12	YWFL16005	WASHER, FLAT, 1/2" USS
13	DWM301	BOLT - METRIC
14	10WR14	5" BENT PIN
15	DWM310	HAIR PIN
16	DWM329	UPPER PTO SHIELD
17	DWM282	3/4" NUT
18	DWM283	PRESSURE L-FLANGE
19	X97	HAIR PIN
20	DWM285	RETURN L-FLANGE
21	DWM273	DRAW PIN
22	YPLY08011	LYNCH PIN, 1/4 X 1-9/16 #63-02
23	DWM286	DRAWBAR PIN LOCK
24	DWM274	HITCH PIN
25	DWM271	HITCH EXTENSION
26	DWM272	HITCH PLATE
27	DWM287	U-BOLT (2)
28	DWM288	3/4" FLAT WASHER
29	RG199	3/4" LOCK WASHER
30	DWM330	LOWER PTO SHIELD

NOTE: * (MEANS NOT SHOWN)

FIGURE 19

9' & 12' CROSS CONVEYOR CONTROL BOX

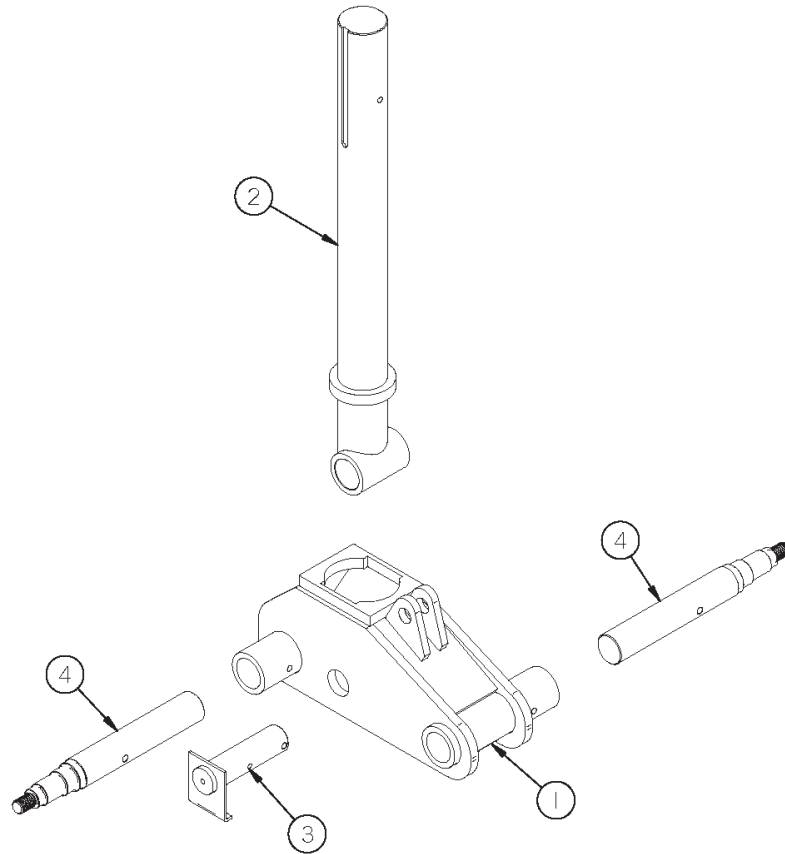


ITEM	PART #	DESCRIPTION
1	DWM447	CONTROL BOX TOP
2	DWM448	CONTROL BOX BOTTOM
3	DWM449	CONTROL BOX MOUNT
4	HD174	KNOB
5	HD173	PANEL NUT
6	DWM455	STRAIN RELIEF
7	DWM453	SWITCH (HESITATION)
8	16SV235	SWITCH BOOT
9	16SV231	FUSE HOLDER
10	DWM456	FUSE (15 AMP)
11	DWM444	IMPLEMENT CORD
12	16SV271	POWER CORD
13	16SV316	STRAIN RELIEF
14	120406	DECAL
15	DWM327	POLY WASHER
16	DWM404	RUBBER WASHER
*	DWM452	COMPLETE CROSS/REVERSE CONTROL BOX

NOTE: * (MEANS NOT SHOWN)

FIGURE 20

9' TWIN MERGER OPTIONAL OFFSET TANDEM



<u>ITEM</u>	<u>PART #</u>	<u>DESCRIPTION</u>
1	DWM434	LONG FRONT TANDEM
2	DWM460	STEERING FORK
3	DWM435	TANDEM PIN
4	DWM436	TANDEM SPINDLE

FIGURE 21
9' & 12' OPTIONAL ACCELERATOR

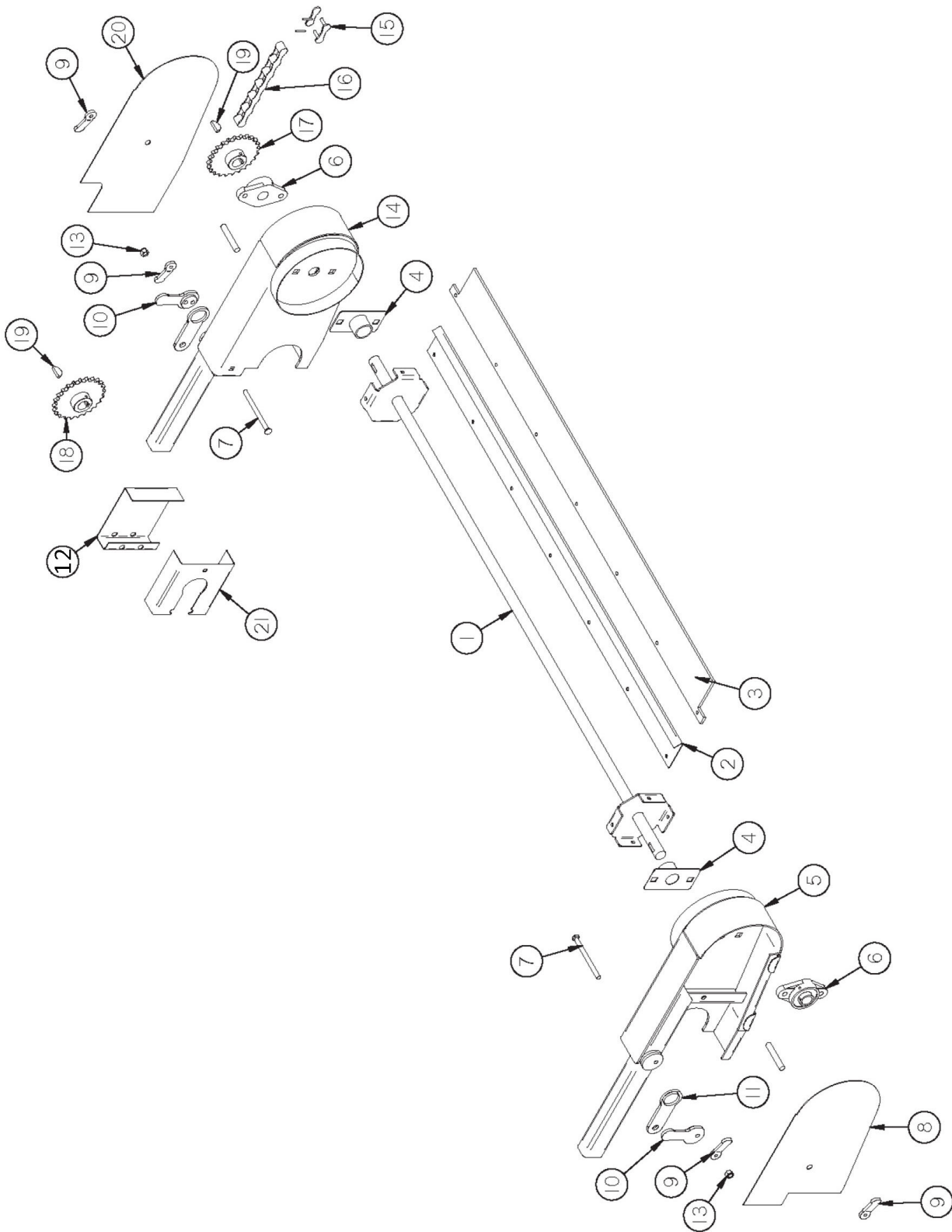


FIGURE 21

9' & 12' OPTIONAL ACCELERATOR

<u>ITEM</u>	<u>PART #</u>	<u>DESCRIPTION</u>
1	DWM207	ACCELERATOR SHAFT
2	DWM212	ACCELERATOR PLATE
3	DWM220	RUBBER
4	DWM211	WRAP GUARD
5	DWM208	MOUNTING BRACKET 1
6	DWM221	1" BEARING
7	YBCR12120	CARR. BOLT, 3/8" X 5-1/2" GR. 2
8	DWM214	SHIELD 1
9	DWM219	HANDLE NUT
10	DWM210	LATCH HANDLE
11	DWM217	LATCH
12	DWM215	SPROCKET SHIELD
13	YNNY12005	HEX NUT, NYLON LOCKNUT, 3/8"
14	DWM209	MOUNTING BRACKET 2
15	X61	#50 CONNECTOR LINK
16	SWM53	#50 ROLLER CHAIN 57 PITCH
17	X106	SPROCKET 24T 1" BORE
18	SWM45	SPROCKET 17T 1-1/4" BORE
19	5B10	WOODRUFF KEY 1/4" X 1"
20	DWM213	SHIELD
21	DWM216	SPROCKET SHIELD BACK
*	DWM323	COMPLETE ACCELERATOR KIT

NOTE: * (MEANS NOT SHOWN)

NOTE: RIGHT HAND DRIVE SHOWN

FIGURE 22
OPTIONAL REAR HYDRAULIC BRAKES

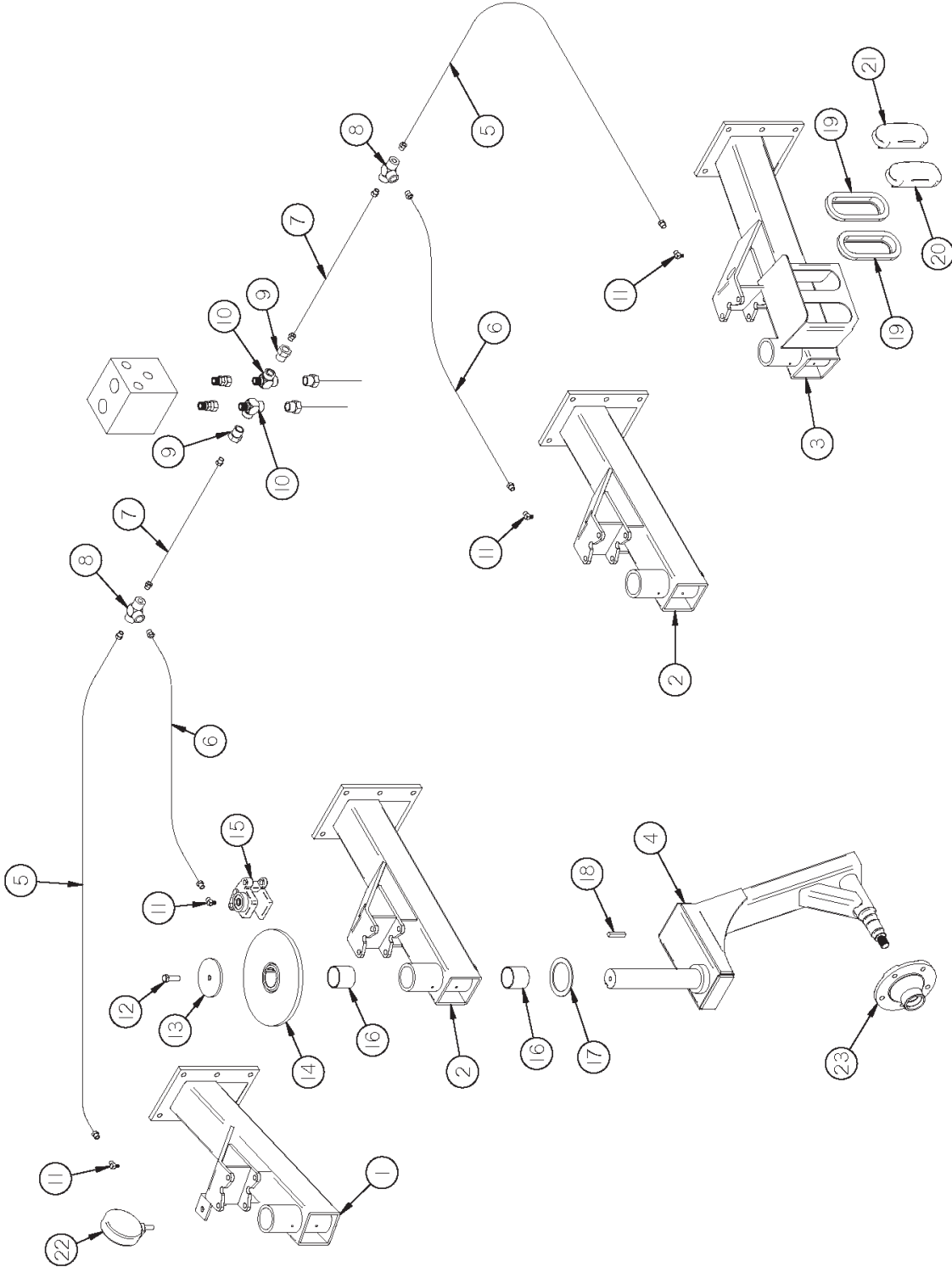


FIGURE 22

OPTIONAL REAR HYDRAULIC BRAKES

<u>ITEM</u>	<u>PART #</u>	<u>DESCRIPTION</u>
1	SHM24	CASTER LEFT TAIL WHEEL
2	SHM25	MIDDLE TAIL WHEEL MOUNT
3	SHM26	CASTER RIGHT TAIL WHEEL
4	SHM27	TWIN MERGER CASTER
5	SHM28	1/8" X 96" #4 FEMALE JIC & #4 FEMALE JIC HOSE
6	SHM29	1/8" X 36" #4 FEMALE JIC & #4 FEMALE JIC HOSE
7	SHM30	1/8" X 220" #4 FEMALE JIC & #4 FEMALE JIC HOSE
8	SHM31	TEE (4 JTX)
9	SHM32	ADAPTER (4-8FTX)
10	LW96	1/2" STREET TEE
11	CHM165	ELBOW (4 C50X-S)
12	YBHH16010	BOLT, 1/2"-13 X 1" GR. 5
13	CHM5	TOP WASHER
14	SHM33	12' TWIN BRAKE ROTOR
15	CHM103	BRAKE CALIPER
*	8577	BRAKE CALIPER SEAL KIT
*	CHM104	BRAKE PAD
16	RG26	BUSHING, BRONZE, 2.015" ID X 2.25"
17	RG24	2"ID X 3"OD X 1/8" BRONZE WASHER
18	S38	3/8" X 2-3/8" SQUARE KEY
19	S308	RUBBER LIGHT MOUNT
20	S309	YELLOW TAIL LIGHT
21	S310	RED TAIL LIGHT
22	DWM129	YELLOW HAZARD LIGHT
23	RG101	HUB - ROAD WHEELS
*	12N17	SEAL
*	12N18	INNER BEARING
*	12N19	INNER RACE
*	YBSD16005	STUD BOLT, 1/2"-20 UNF X 1-7/8" (3/8" SHOULDER)
*	YNWL16005	WHEEL NUT, 1/2"-20 UNF
*	17G146	OUTER RACE
*	17G145	OUTER BEARING
*	DWM121	WASHER (HARDENED)
*	17G144	HUB CAP
*	12N24	WHEEL (FRONT & REAR)

NOTE: * (MEANS NOT SHOWN)

H&S MFG. CO.

products approved

for the

FEMA

SEAL OF QUALITY

