



# **PARTS** BOOK

**UF6136  
MERGER**

**Part #  
Rev. #00  
HSMFG041924**

**Starting Ser. # 421UF36001**

<b>FIGURE #</b>	<b>CONTENTS</b>	<b>PAGE #</b>
*	INSTRUCTIONS FOR ORDERING PARTS	1
1	ROTARY SENSOR & COMPONENTS	2-3
2	HITCH & COMPONENTS	4-5
3	FRONT POLE & COMPONENTS	6-7
4	FILTER & COMPONENTS	8-9
5	AXLE & COMPONENTS	10-13
6	RIGHT PIVOT ARM & COMPONENTS	14-15
7	LEFT PIVOT ARM & COMPONENTS	16-17
8	RIGHT LIFT ARM & COMPONENTS	18-19
9	LEFT LIFT ARM & COMPONENTS	20-21
10	HYDRAULIC PUMP & COMPONENTS	22-25
11	HYDRAULICS & COMPONENTS	26-27
12	HYDRAULICS & COMPONENTS	28-29
13	ACCUMULATOR & COMPONENTS	30-31
14	STEERING HYDRAULICS & COMPONENTS	32-33
15	MAIN HEAD MANIFOLD & COMPONENTS	34-35
16	STEERING MANIFOLD & COMPONENTS	36-37
17	BELT CONTROL MANIFOLD & COMPONENTS	38-39
18	HYDRAULIC MANIFOLD	40-41
19	LEFT HEAD HYDRAULICS & COMPONENTS	42-45
20	RIGHT HEAD HYDRAULICS & COMPONENTS	46-49
21	LIGHTS & COMPONENTS	50-51
22-28	ELECTRICAL HARNESS	52-56
	<b>HEADS</b>	57-58
1	END CAPS & COMPONENTS	59
2	REEL & COMPONENTS	60
3	TINE BARS & COMPONENTS	61
4	GEARBOX ASSEMBLY	62-63
5	ROLLER ASSEMBLY & COMPONENTS	64-65
6	BELT PAN & COMPONENTS	66-67
7	SKID SHOES & COMPONENTS	68-69
8	BELTS & COMPONENTS	70-71
9	DEFLECTOR & COMPONENTS	72
10	HEAD CYLINDER MOUNT & COMPONENTS	73
	<b>PTOS / OPTIONS</b>	74-75
1	1-3/4 1000 RPM PTO LONG (UFO1034LPTO)	76
2	1-3/4 1000 RPM PTO STD (UFO1034PTO)	77
3	1-3/8 1000 RPM LONG (UFO1038LPTO)	78
4	1-3/8 1000 RPM STD (UFO1038PTO)	79
5	OPTIONAL TFOICC - IN CAB DISPLAY	80-81



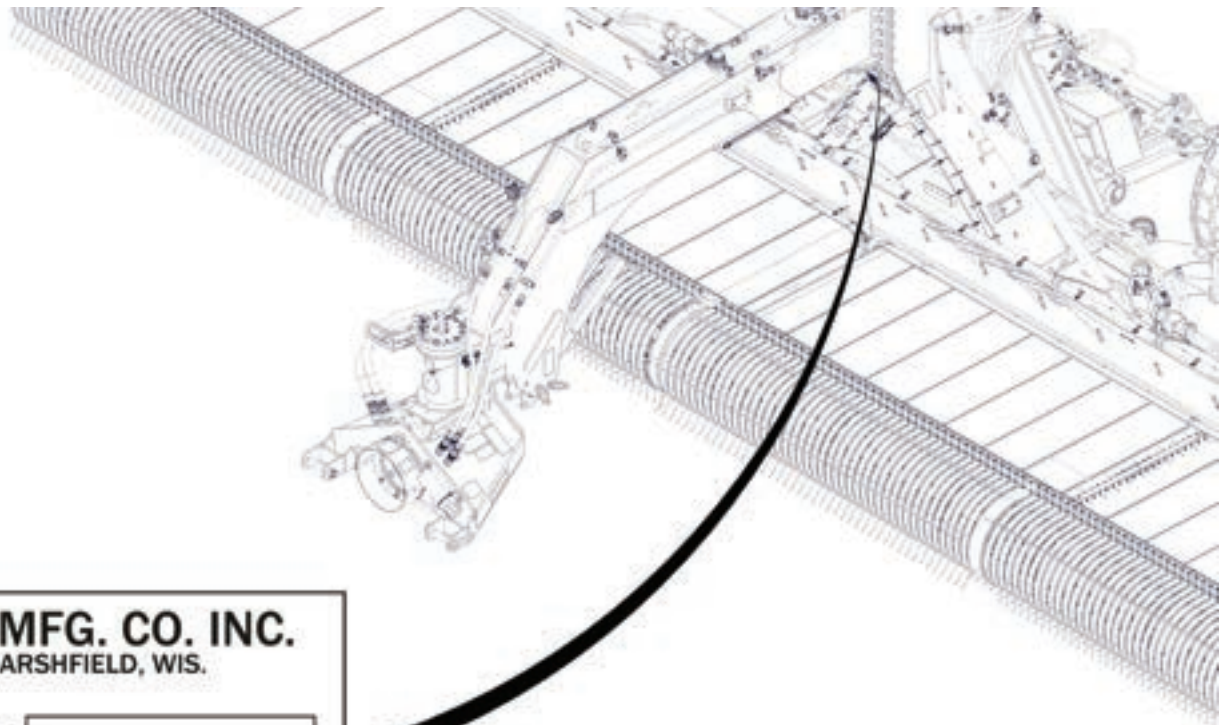
# INSTRUCTIONS FOR ORDERING PARTS

All service parts should be ordered through your authorized H&S dealer. Your Dealership will be able to give you faster service if you will provide them with the following:

1. All references to left or right apply to the machine as viewed from the rear.
2. Parts should not be ordered from illustration only. Please order complete part number.
3. If your dealer has to order parts - give shipping instructions:

VIA truck - large pieces (please specify local truck lines)

VIA United Parcel Service (include full address)



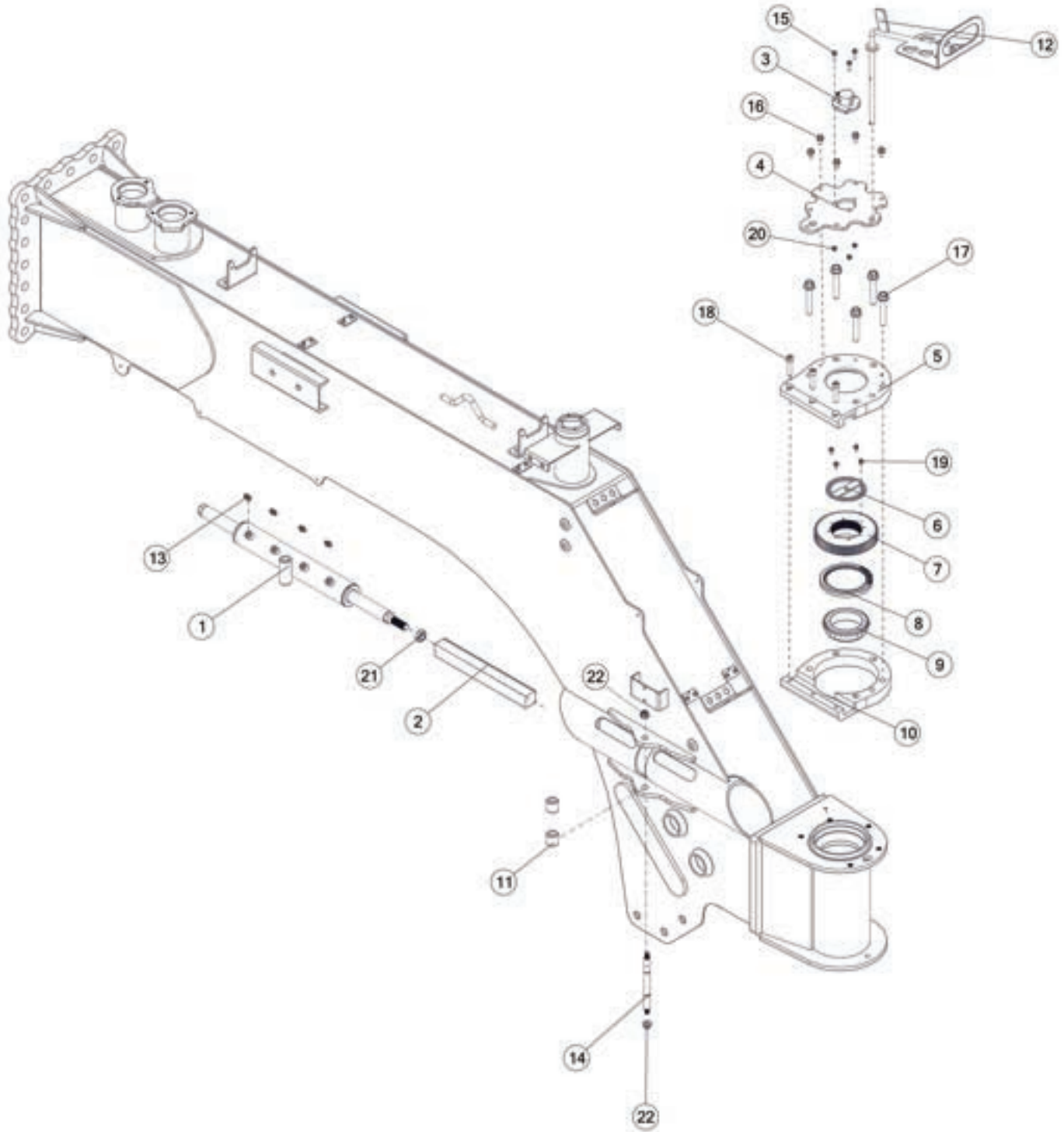
<b>H&amp;S MFG. CO. INC.</b> MARSHFIELD, WIS.	
MOD. NO.	<input type="text"/>
SER. NO.	<input type="text"/>
DESCR.	<input type="text"/>

PLEASE RECORD NUMBERS FOR YOUR UNIT FOR QUICK REFERENCE

H&S IS CONTINUALLY STRIVING TO IMPROVE ITS PRODUCTS

We must, therefore, reserve the right to make improvements or changes whenever it becomes practical to do so, without incurring any obligation to make changes or additions to the equipment previously sold.

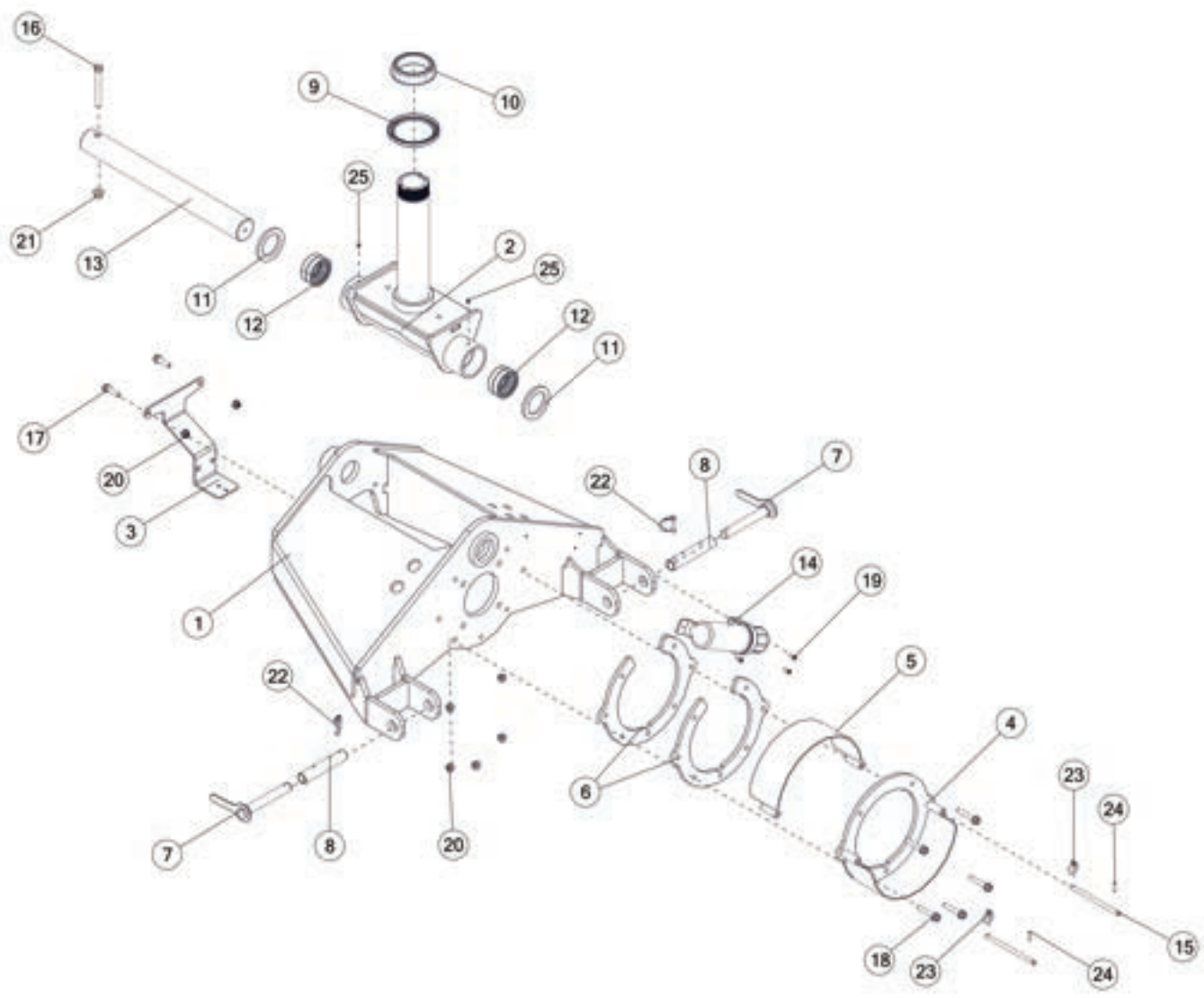








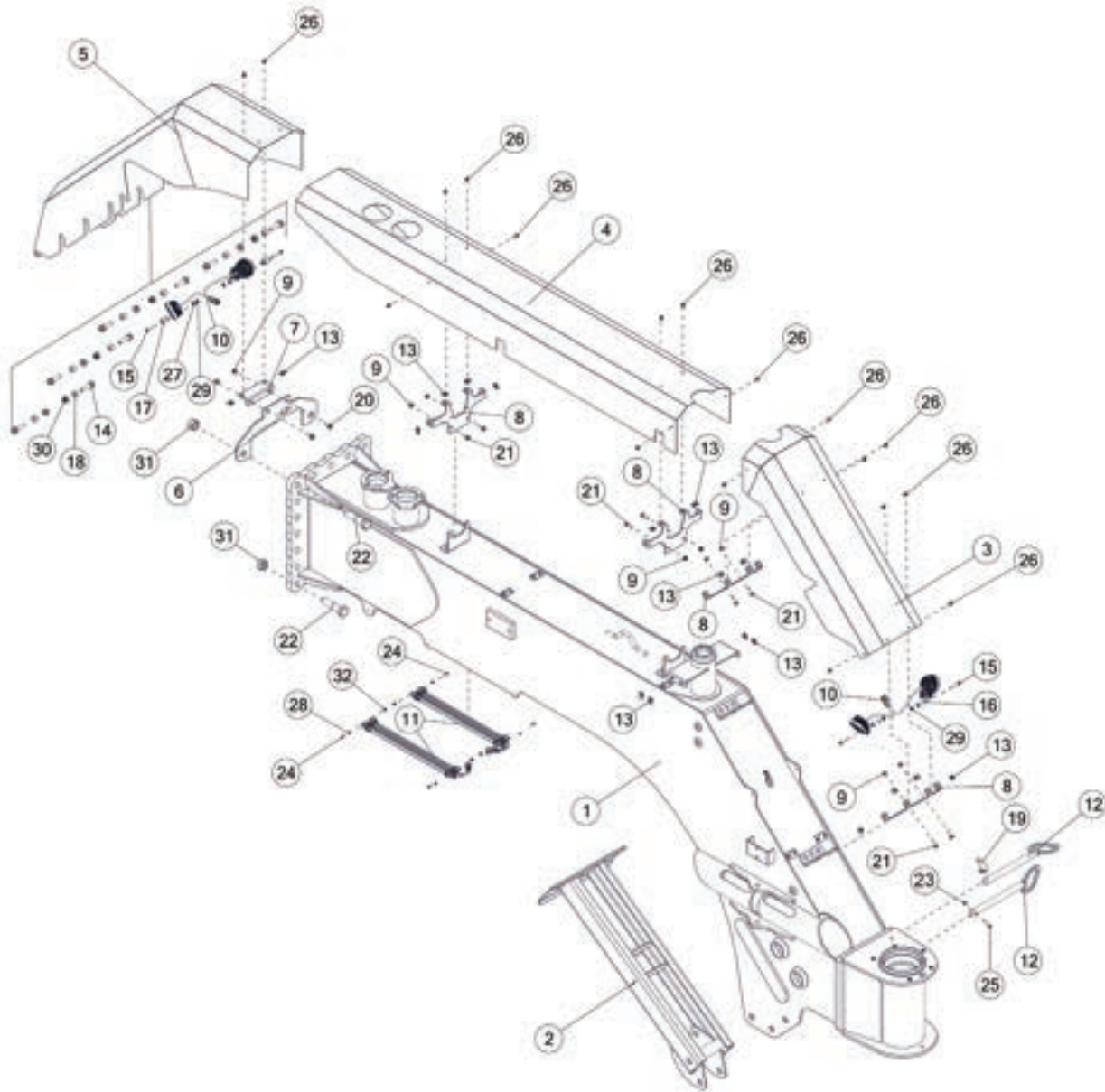
**FIGURE 2**  
**HITCH & COMPONENTS**







**FIGURE 3**  
**FRONT POLE & COMPONENTS**







# FIGURE 3

## FRONT POLE & COMPONENTS

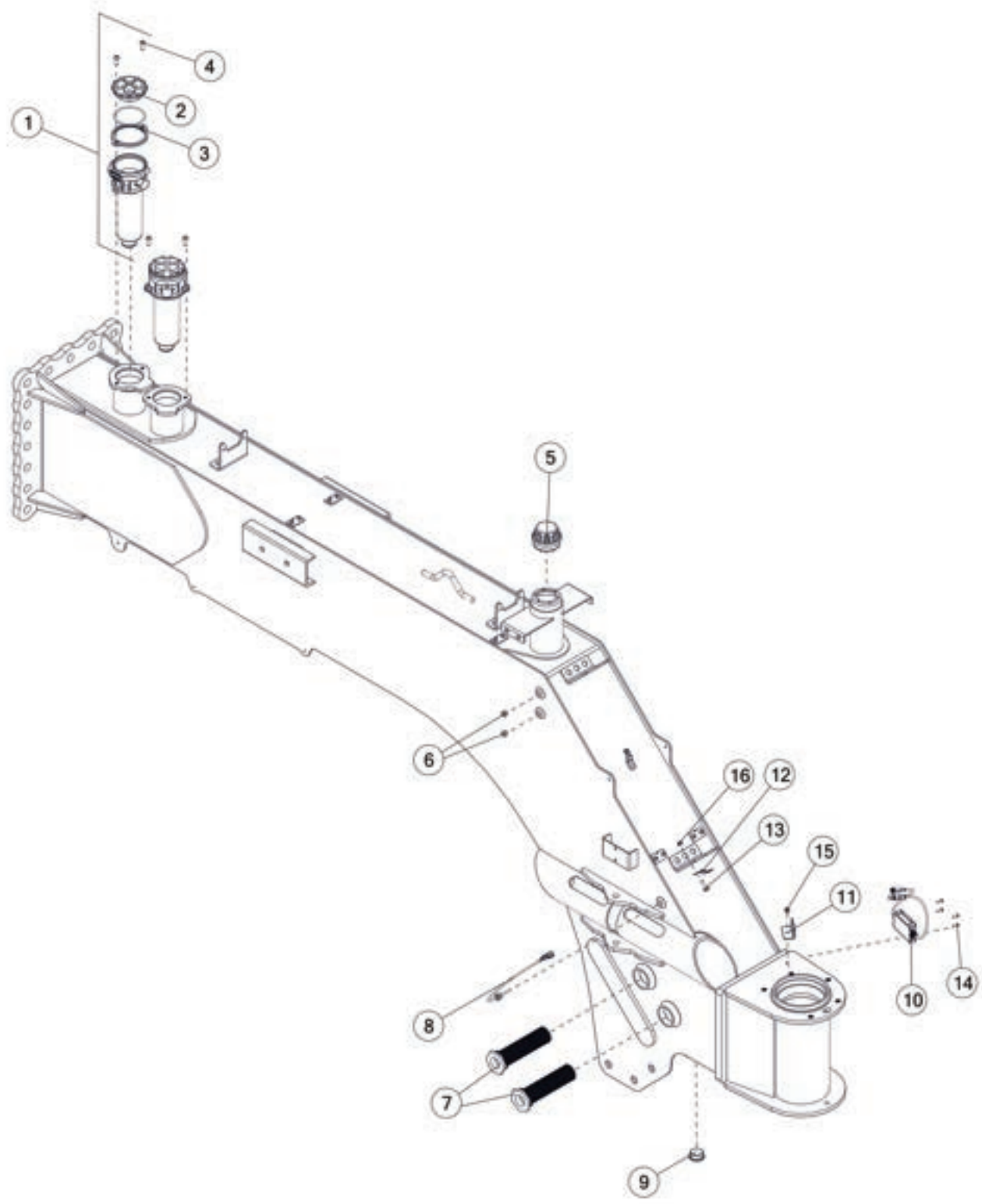
REF #	PART #	DESCRIPTION	QTY
1	91820	POLE WELDMENT	1
2	79174	JACK STAND	1
3	HS101366	COVER	1
4	HS101248	TOP COVER	1
5	HS101798	BACK COVER	1
6	HS101835	MID PLATE MOUNT	1
7	HS101841	COVER BRACKET	1
8	HS101245	COVER BRACKET	4
9	YNFG10005	NUT FLG, 5/16	8
10	HS101920	LIGHT ASSEMBLY	2
11	HS101888	WORK LIGHT ASSEMBLY	1
12	79180	JACK STAND LOCK PIN	2
13	77738	U NUT, 1/4-20, .15 X .53	18
14	YBFB16200	BOLT FLG, 1/2 X 2 G5	8
15	YBHH0804	BOLT, 1/4	4
16	HS101254	SPACER	2
17	HS101833	SPACER	2
18	HS101855	SPACER	8
19	DWM324	SNAPPER PIN	1
20	YBFB12003	BOLT FLG, 3/8 X 1 G5	2
21	YBFB10001	BOLT FLG, 5/16 X 1 G5	8
22	YBHH32018	BOLT, 1"-8 X 4"RG.8 YELLOW ZINC SAE J429	2
23	YNRL08005	NUT, HEX, 1/4-20, LKRS, A, ZC	1
24	YSPN64005	MACHINE PPHS, #10-24 X 5/8 ZINC	4
25	YBHH08035	BOLT, 1/4-20 X 1-1/4 GR 5	1
26	YBFB08005	BOLT FLG, 1/4 X 1/2 G5	18
27	YWFL08005	WASHER, FLAT, 1/4 USS	2
28	YWFL64005	WASHER, FLAT, STAINLESS STEEL, 1/-8 #10 USS	4
29	YNFG08010	NUT FLG, 1/4 GF	4
30	YNFG16003	NUT FLG, 1/2 GF	8
31	YNTL32005	NUT, HEX, 1-8, LKTL, C, ZC	2
32	YNNY64005	NUT, HEX, #10-24, LKNY, G2, ZC	4





# FIGURE 4

## FILTER & COMPONENTS

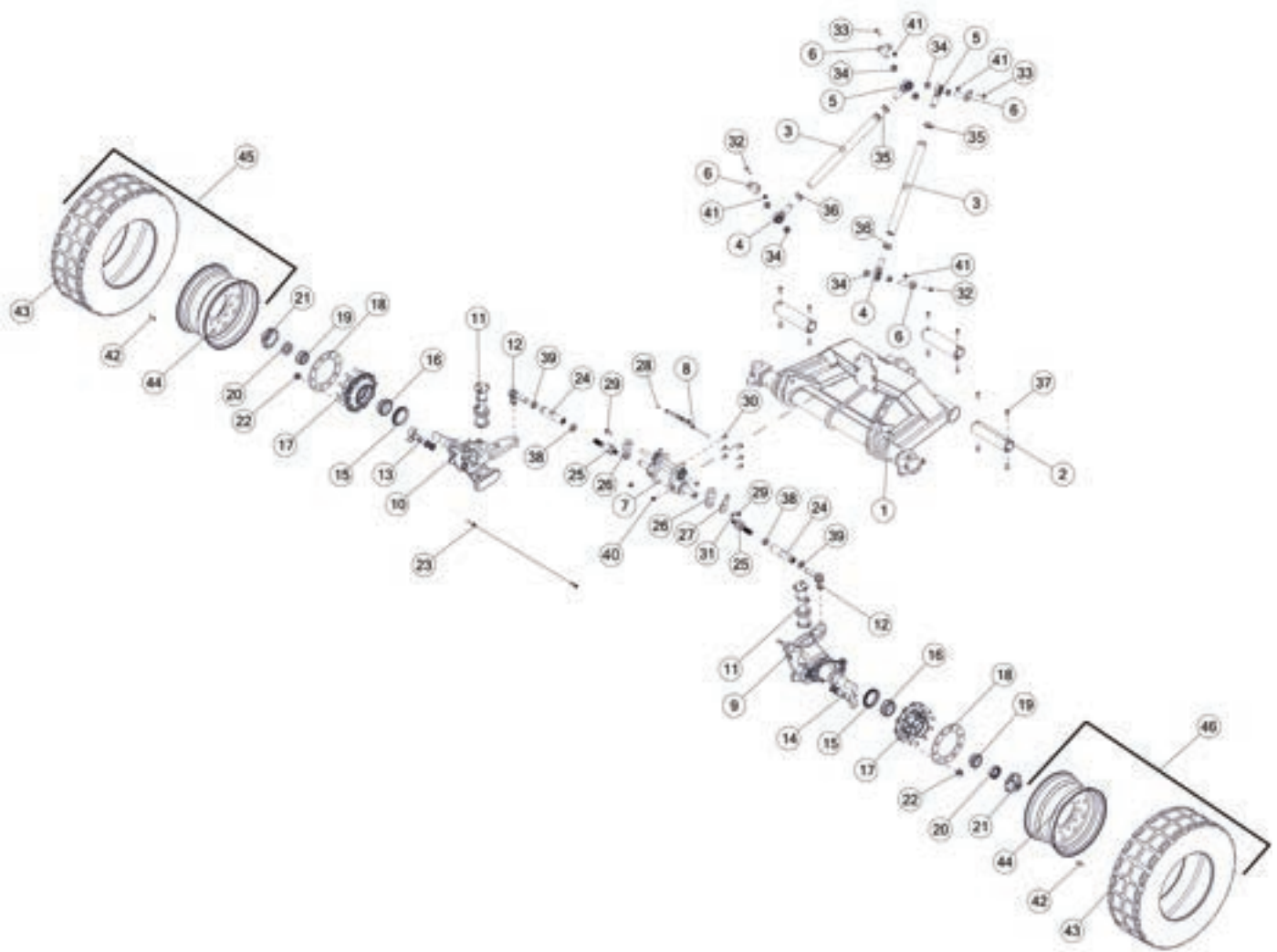






# FIGURE 5

## AXLE COMPONENTS



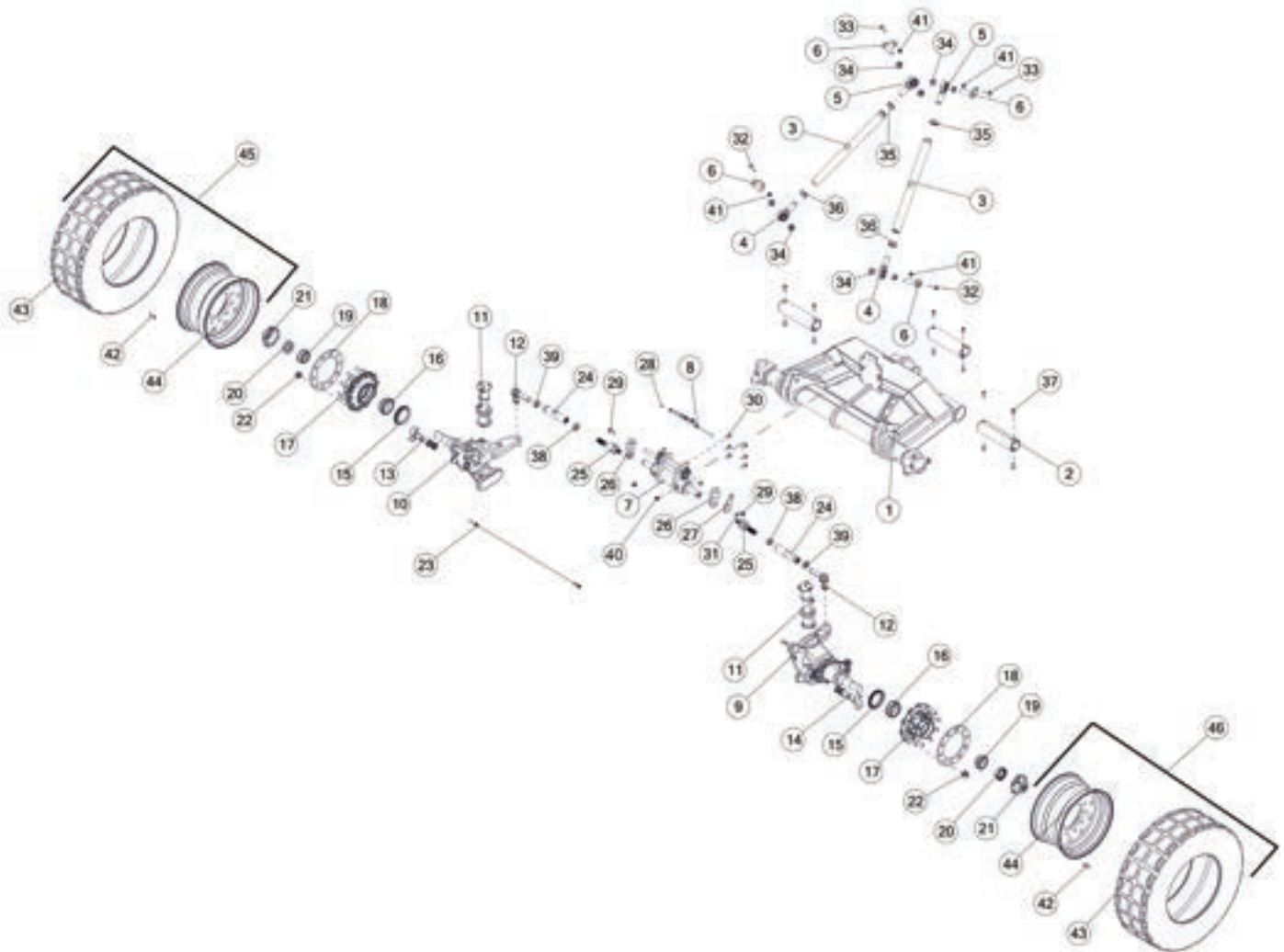


# FIGURE 5

## AXLE COMPONENTS

REF #	PART #	DESCRIPTION	QTY
1	94890B	AXLE W/DECALS	1
2	95208	AXLE SPINDLE	3
3	94617	STRUT ROD	2
4	TFM70	ROD END	2
5	79466	ROD END, LH	2
6	95265	AXLE PIN	4
7	92660	HYDRAULIC CYLINDER	1
*	56187	SEAL KIT	1
8	HS102088	POSITION SENSOR	1
*	89749	HEAD HIGHT SENSOR	1
9	97813B	KNUCKLE WELDMENT	1
10	97798B	KNUCKLE WELDMENT	1
11	97800	KINGPIN	2
12	91513	BALL JOINT, LH THREAD	2
13	97799	BRAKE CAM	1
14	97814	BRAKE CAM	1
15	97808	SEAL	2
16	97804	BEARING	2
17	97810	WHEEL HUB	2
18	97806	WHEEL SPACER	2
19	97805	BEARING	2
20	97801	SPINDLE NUT	2
21	97809	DUST CAP	2
22	97807	LUG NUT	20
23	HS101823	WHEEL SENSOR	1
24	91180	TIE ROD	2
25	91164	BALL COUPLER	2
26	92455	CONNECTOR PLATE	2
27	95272	MOUNT	1
28	YBHH71008	BOLT, HEX, M5-0.8 X 12, ZC	1
29	YBFB20150	BOLT FLANGE, 5/8 X 1-1/2 G5	2
30	YBFB16125	BOLT FLANGE, 1/2 X 1-1/4 G5	6
31	YBFB12003	BOLT FLANGE, 3/8 X 1 G5	1
32	YBFB16225	BOLT FLANGE, 1/2 X 2-1/4 G5	2
33	YBFB16200	BOLT FLANGE, 1/2 X 2 G5	2
34	79149	MISSALIGNMENT SPACER	8
35	YNJM40006	NUT JAM, 1-1/2 G5, LH	2



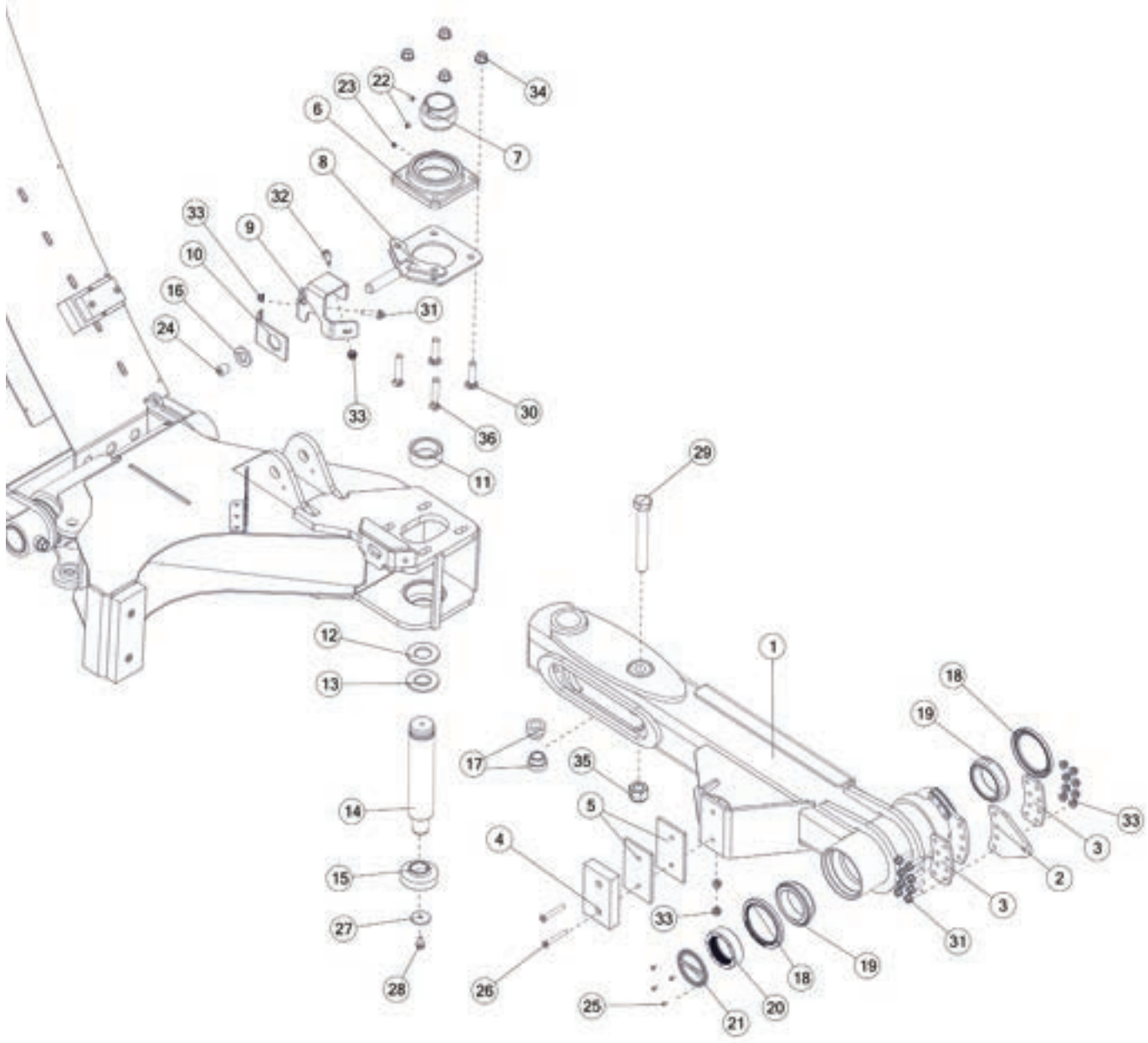






# FIGURE 6

## RIGHT PIVOT ARM & COMPONENTS







# FIGURE 6

## RIGHT PIVOT ARM & COMPONENTS

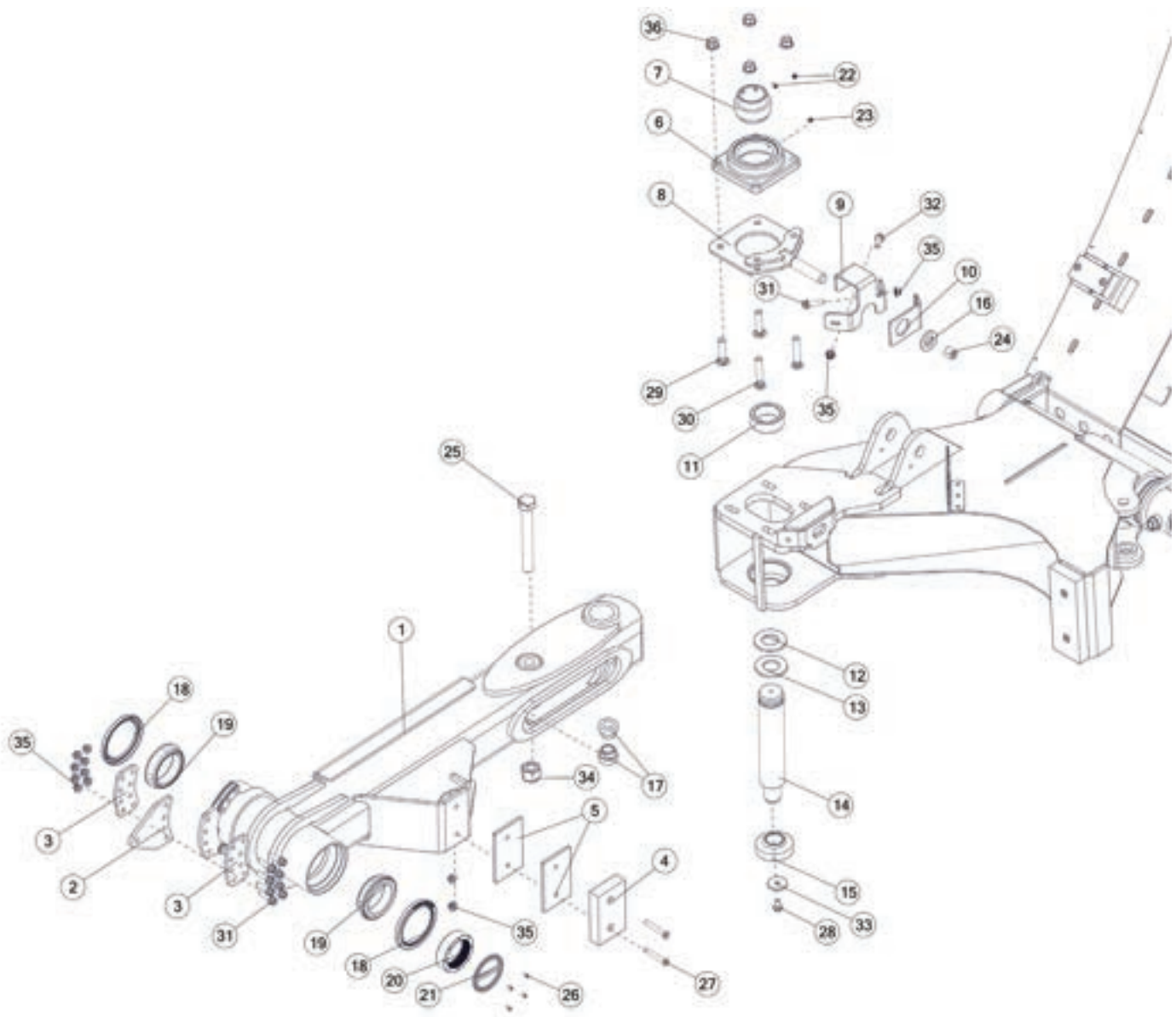
REF #	PART #	DESCRIPTION	QTY
1	91455	PIVOT ARM	1
2	HS101692	ROTOR PLATE	1
3	HS101693	BRACKET	2
4	61077	POLY BUMPER	1
5	95300	BUMPER SPACER	2
6	1091	PITCH ADJUSTMENT BEARING	1
7	TFM54	UPPER BEARING	1
8	92698	TAKE UP BRACKET	1
9	98386	HOSE HOLDER	1
10	92295	LOCK BRACKET	1
11	92459	FOLD THRUST BUSHING	1
12	PTM3G75	PIN THRUST WASHER	1
13	PTMMS57	PIN THRUST WASHER BRONZE	1
14	92288	PIVOT PIN	1
15	TFM99	PITCH ROD BALL 2.00 DIA. PIN	1
16	PTM3G83	PITCH THRUST WASHER	1
17	92262	SPACER, ROD END	2
18	81850	SEAL	2
19	81880	TAPER BEARING, CONE, 4.000	2
20	83818	SPINDLE NUT	1
21	83819	LOCK COLLAR	1
22	YSKP16050	SET SCREW, SOCKET	2
23	BFR28	1/8" NPT GREASE ZERK	1
24	YNHX36005	NUT, HEX, 1-1/4-12, NA, 5, ZC	1
25	YSBS08005	BUTTON HEAD SOCKET CAP SCREW	4
26	YSFS16055	BOLT,FLAT SOK,1/2-13X3-1/2,BO	2
27	PTM3G42	PIVOT THRUST WASHER	1
28	YBFB16100	BOLT FLG, 1/2 X 1 G5	1
29	YBHH40100	BOLT, 1-1/4 X 10, G8	1
30	YBCR24004	BOLT, CARR, 3/4-10 X 3-1/4, GR5, ZC	2
31	YBFB16200	BOLT FLG, 1/2 X 2 G5	9
32	YBFB16150	BOLT FLG, 1/2 X 1-1/2 G5	1
33	YNFG16003	NUT FLG, 1/2 GF	12
34	YNFG24006	NUT, FLG, 3/4-10, LKTL, G, ZC	4
35	YNNY40005	NUT, HEX, 1 1/4-7, LKNY, G8, YZ	1
36	YBCR24010	BOLT, CARR, 3/4-10 X 4	2





# FIGURE 7

## LEFT PIVOT ARM & COMPONENTS





# FIGURE 7

## LEFT PIVOT ARM & COMPONENTS

REF #	PART #	DESCRIPTION	QTY
1	91455	PIVOT ARM	1
2	HS101692	ROTOR PLATE	1
3	HS101693	BRACKET	2
4	61077	POLY BUMPER	1
5	95300	BUMPER SPACER	2
6	1091	PITCH ADJUSTMENT BEARING	1
7	TFM54	UPPER BEARING	1
8	92698	TAKE UP BRACKET	1
9	98386	HOSE HOLDER	1
10	92295	LOCK BRACKET	1
11	92459	FOLD THRUST BUSHING	1
12	PTMMS57	PIN THRUST WASHER BRONZE	1
13	PTM3G75	PIN THRUST WASHER	1
14	92288	PIVOT PIN	1
15	TFM99	PITCH ROD BALL 2.00 DIA. PIN	1
16	PTM3G83	PITCH THRUST WASHER	1
17	92262	SPACER, ROD END	2
18	81850	SEAL	2
19	81880	TAPER BEARING, CONE, 4.000	2
20	83818	SPINDLE NUT	1
21	83819	LOCK COLLAR	1
22	YSKP16050	SET SCREW, SOCKET	2
23	BFR28	1/8" NPT GREASE ZERK	1
24	YNHX36005	NUT, HEX, 1-1/4-12, NA, 5, ZC	1
25	YBHH40100	BOLT, 1-1/4 X 10, G8	1
26	YSBS08005	BUTTON HEAD SOCKET CAP SCREW	4
27	YSFS16055	BOLT, FLAT SOK, 1/2-13X3-1/2, BO	2
28	YBFB16100	BOLT FLG, 1/2 X 1 G5	1
29	YBCR24004	BOLT, CARR, 3/4-10 X 3-1/4, GR5, ZC	2
30	YBCR24010	BOLT, CARR, 3/4-10 X 4.00, GR5, ZC	2
31	YBFB16200	BOLT FLG, 1/2 X 2 G5	9
32	YBFB16150	BOLT FLG, 1/2 X 1-1/2 G5	1
33	PTM3G42	PIVOT THRUST WASHER	1
34	YNNY40005	NUT, HEX, 1 1/4-7, LKNY, G8, YZ	1
35	YNFG16003	NUT FLG, 1/2 GF	11
36	YNFG24006	NUT, FLG, 3/4-10, LKTL, G, ZC	4



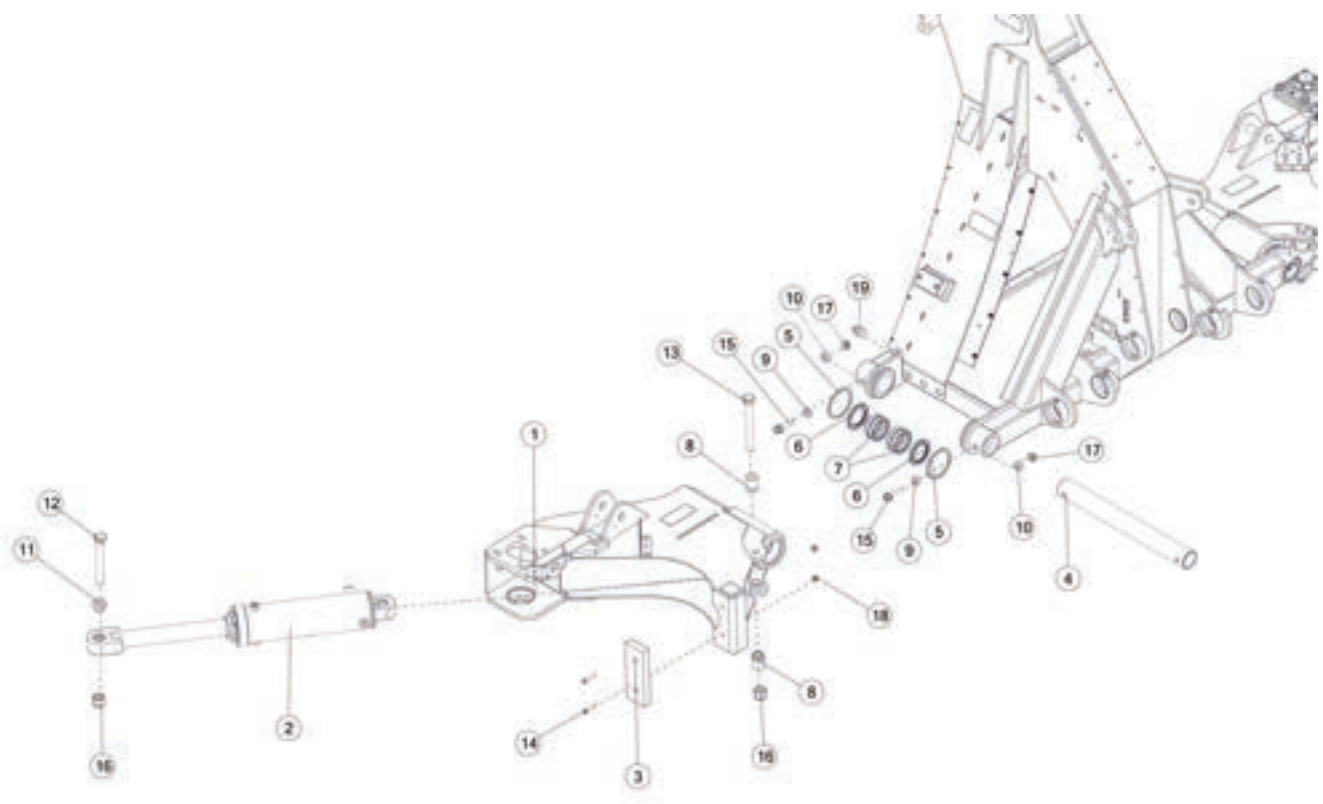






# FIGURE 9

## LEFT LIFT ARM & COMPONENTS

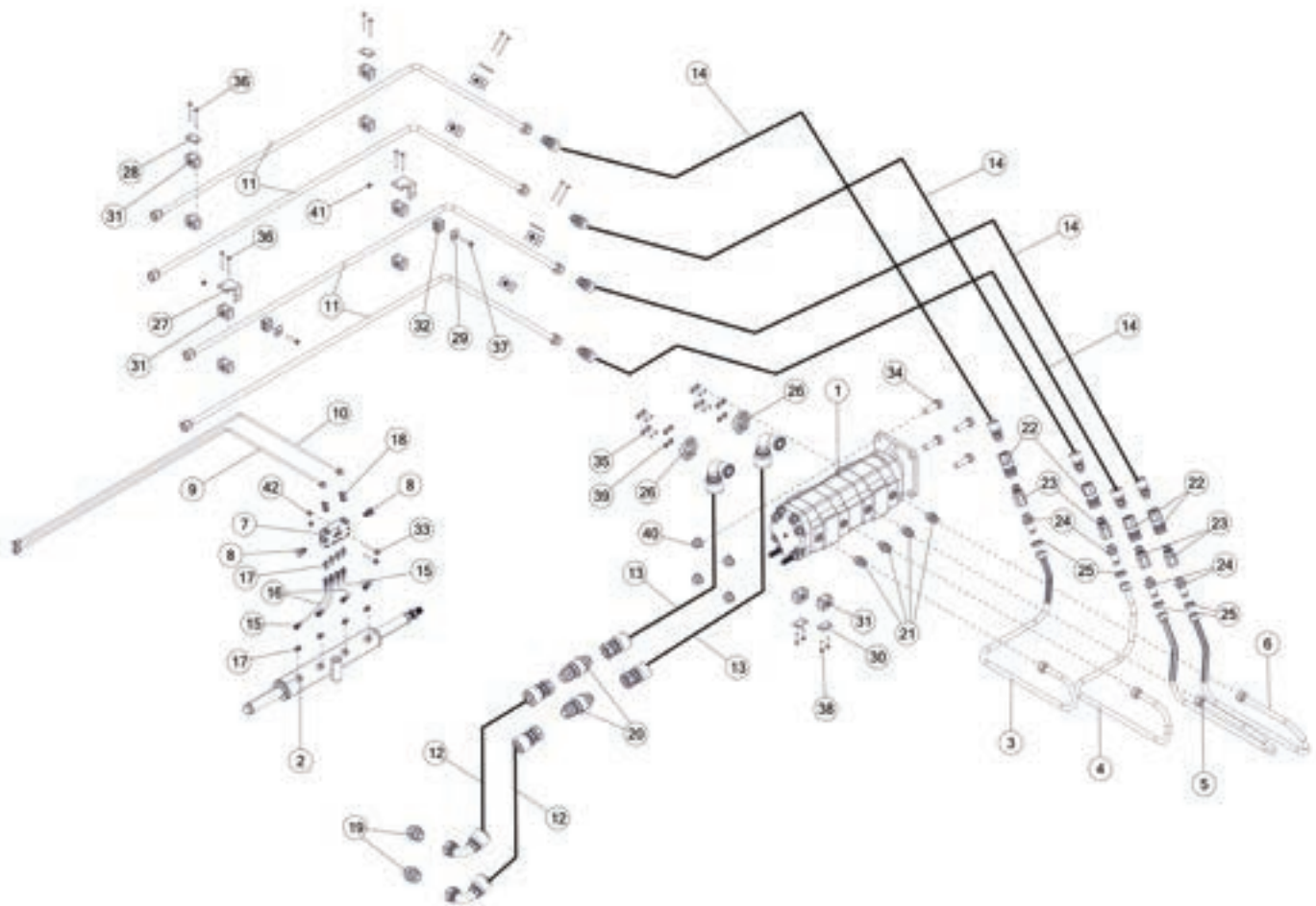






# FIGURE 10

## HYDRAULIC PUMP & COMPONENTS



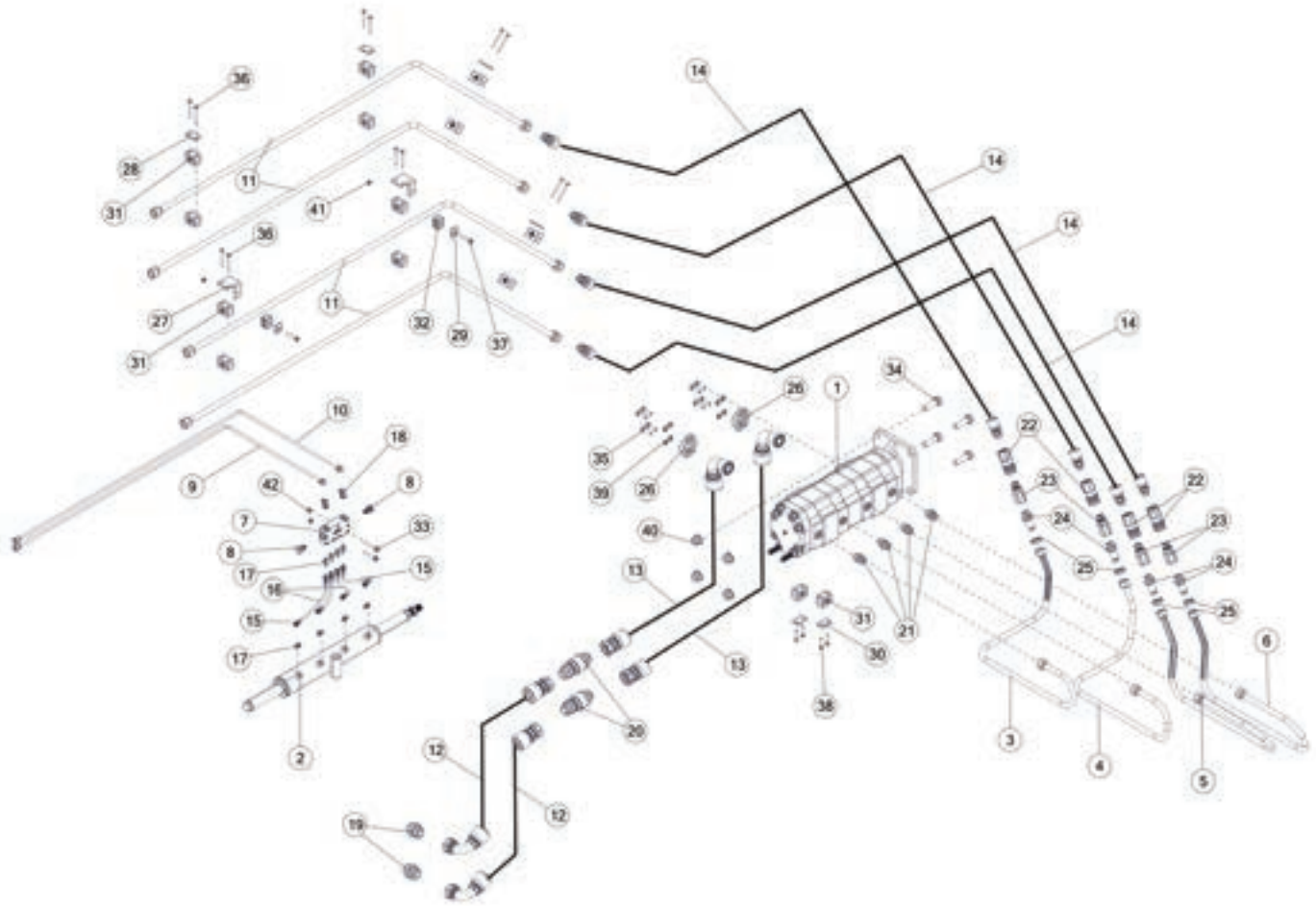




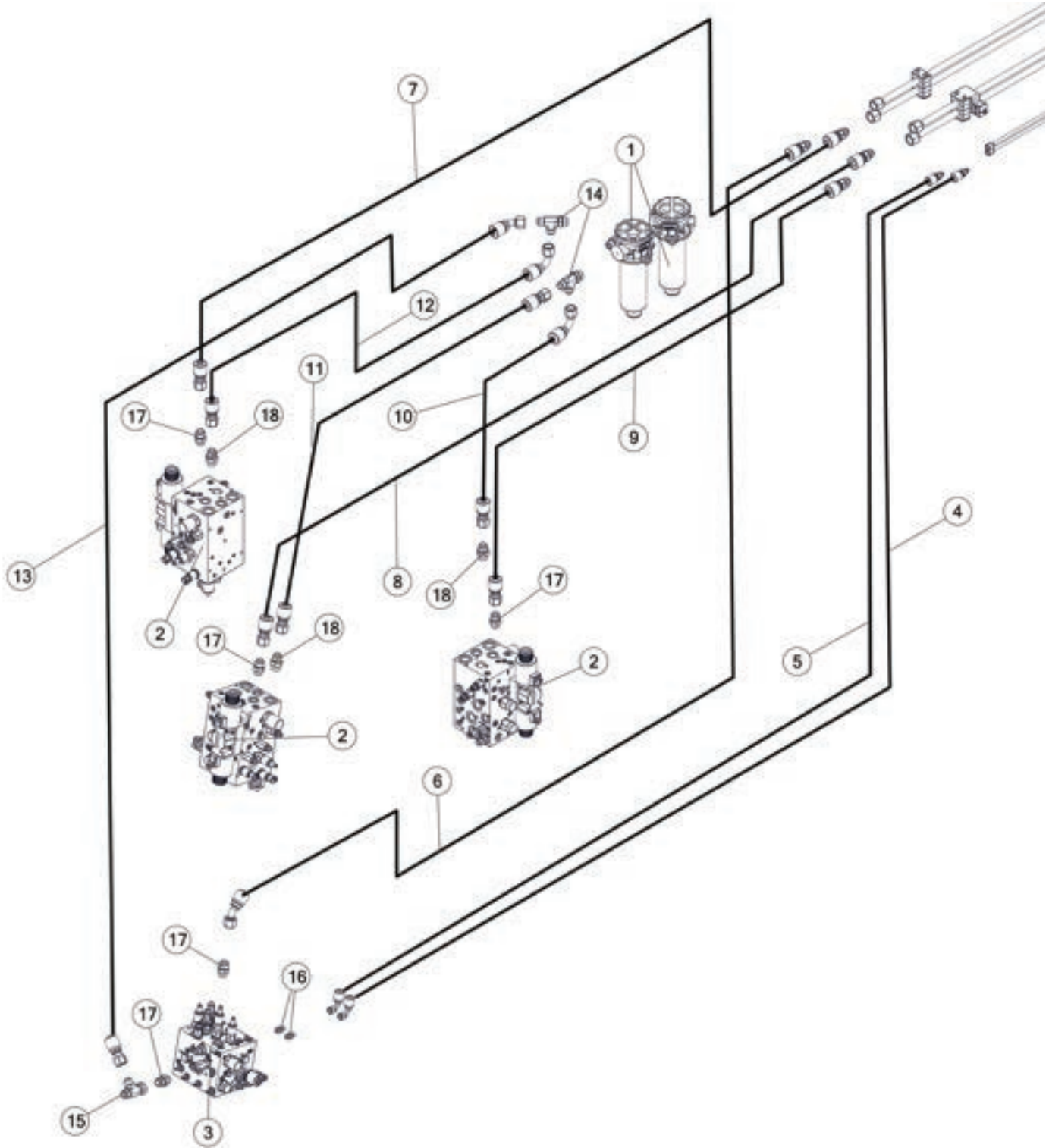


# FIGURE 10

## HYDRAULIC PUMP & COMPONENTS





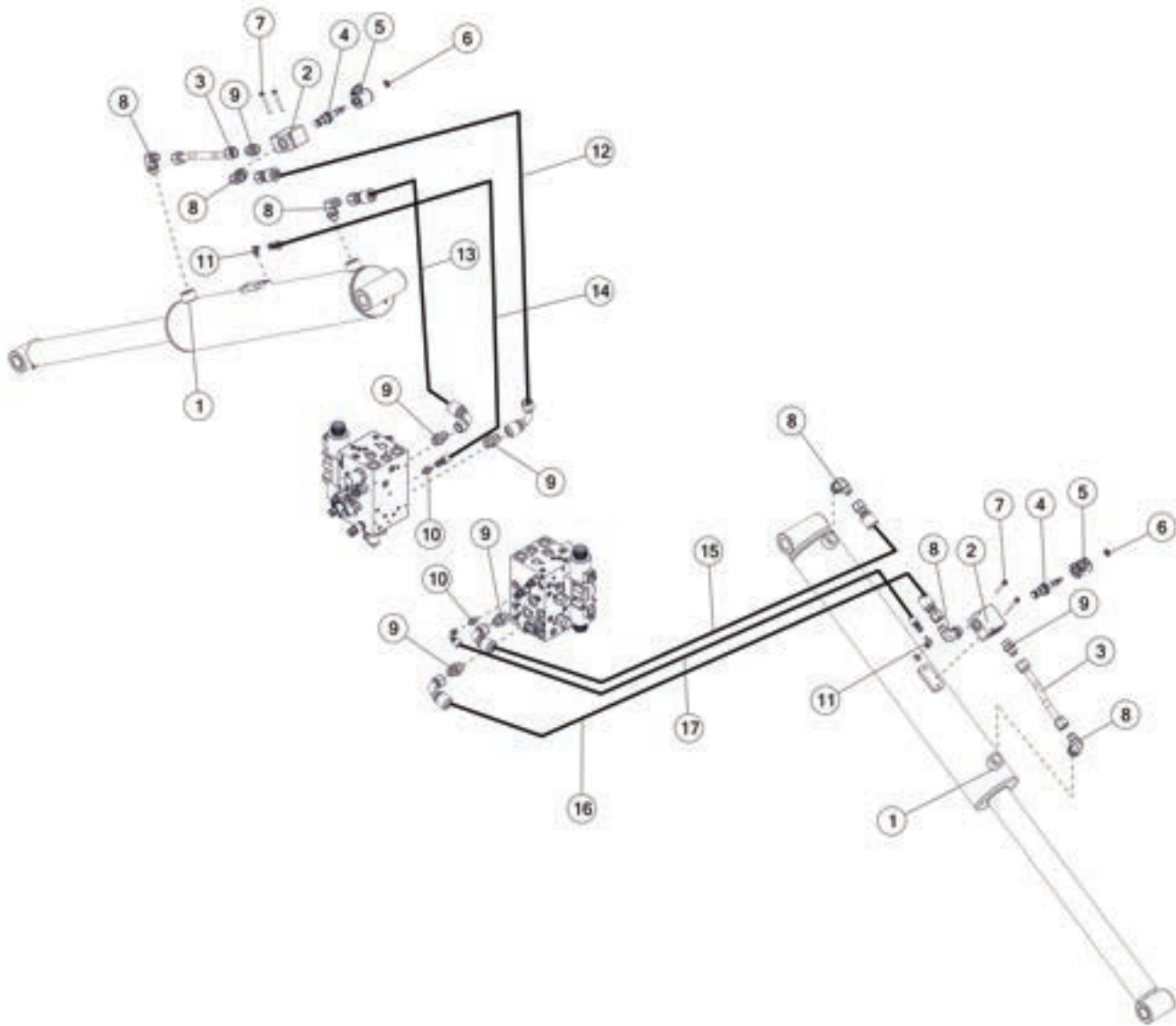






# FIGURE 12

## HYDRAULICS & COMPONENTS

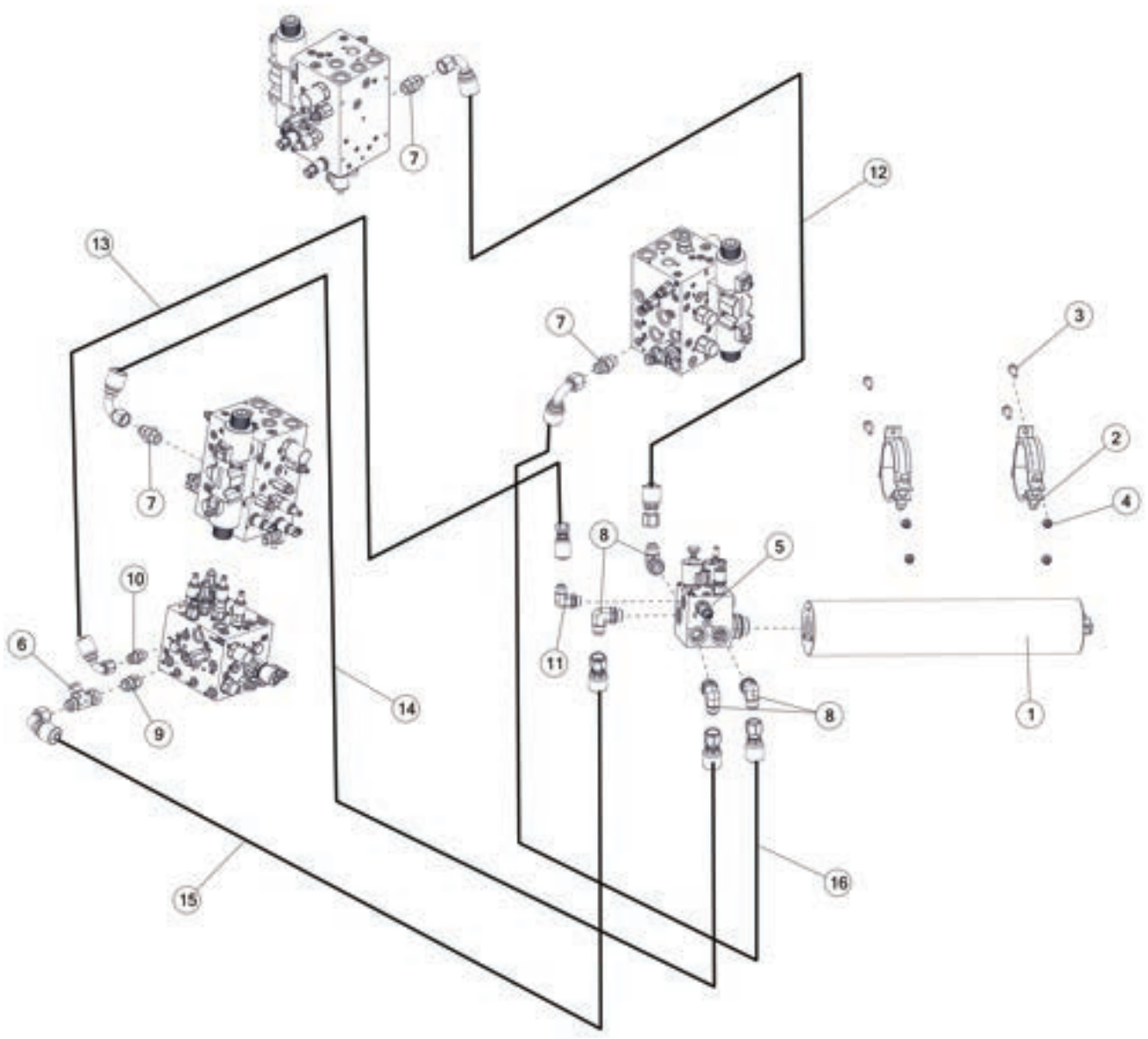






# FIGURE 13

## ACCUMULATOR & COMPONENTS



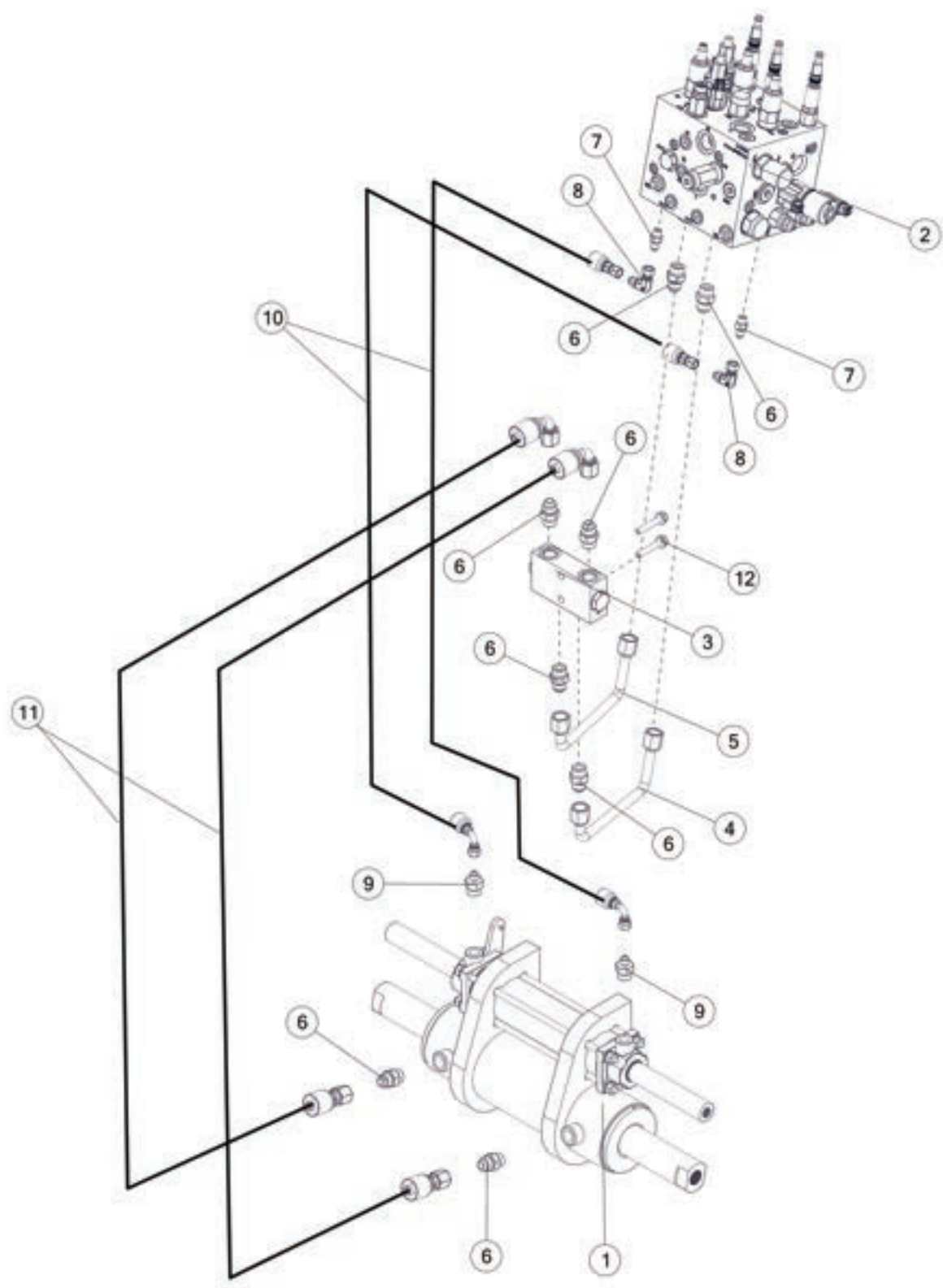




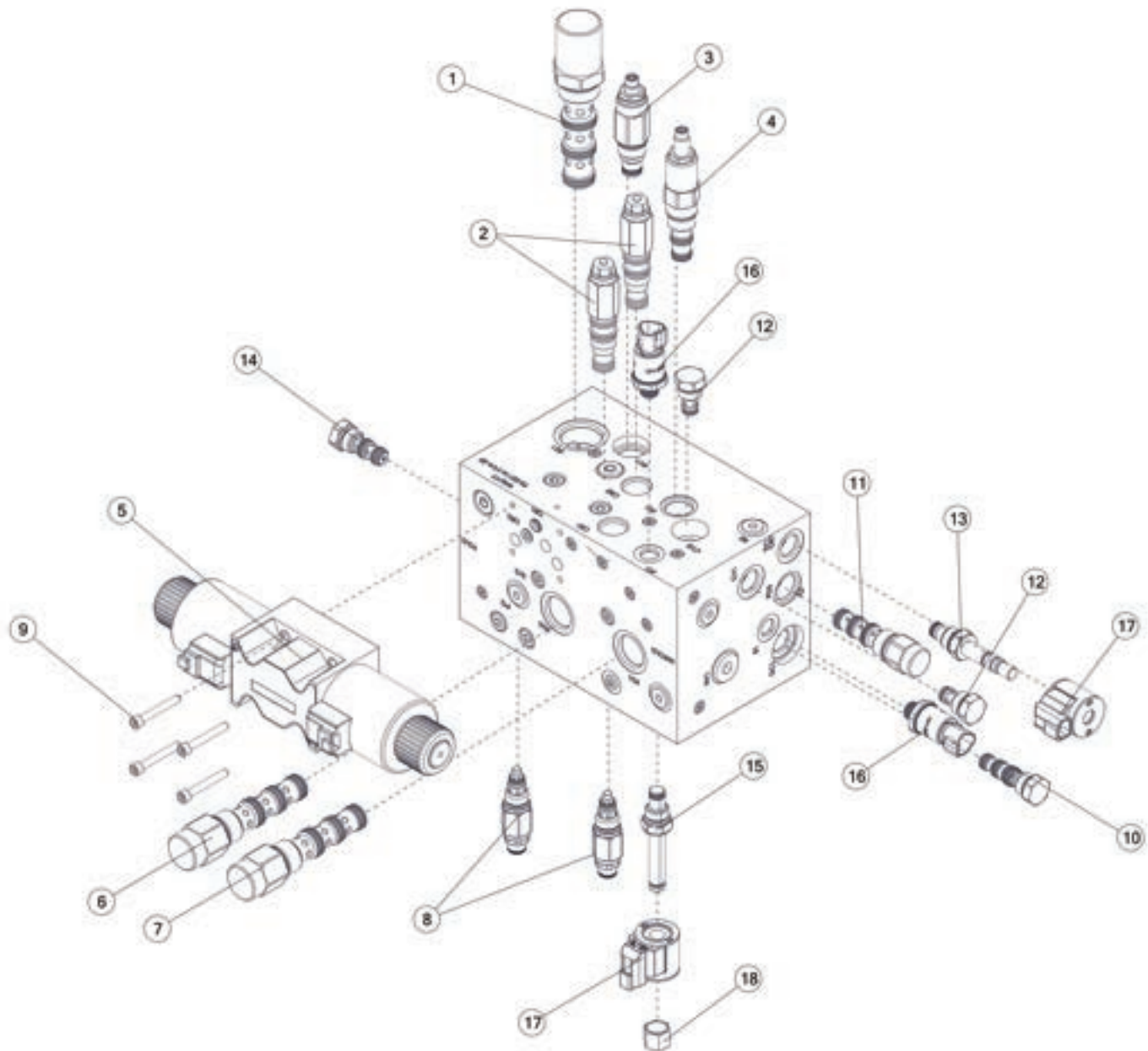


# FIGURE 14

## STEERING HYDRAULICS & COMPONENTS





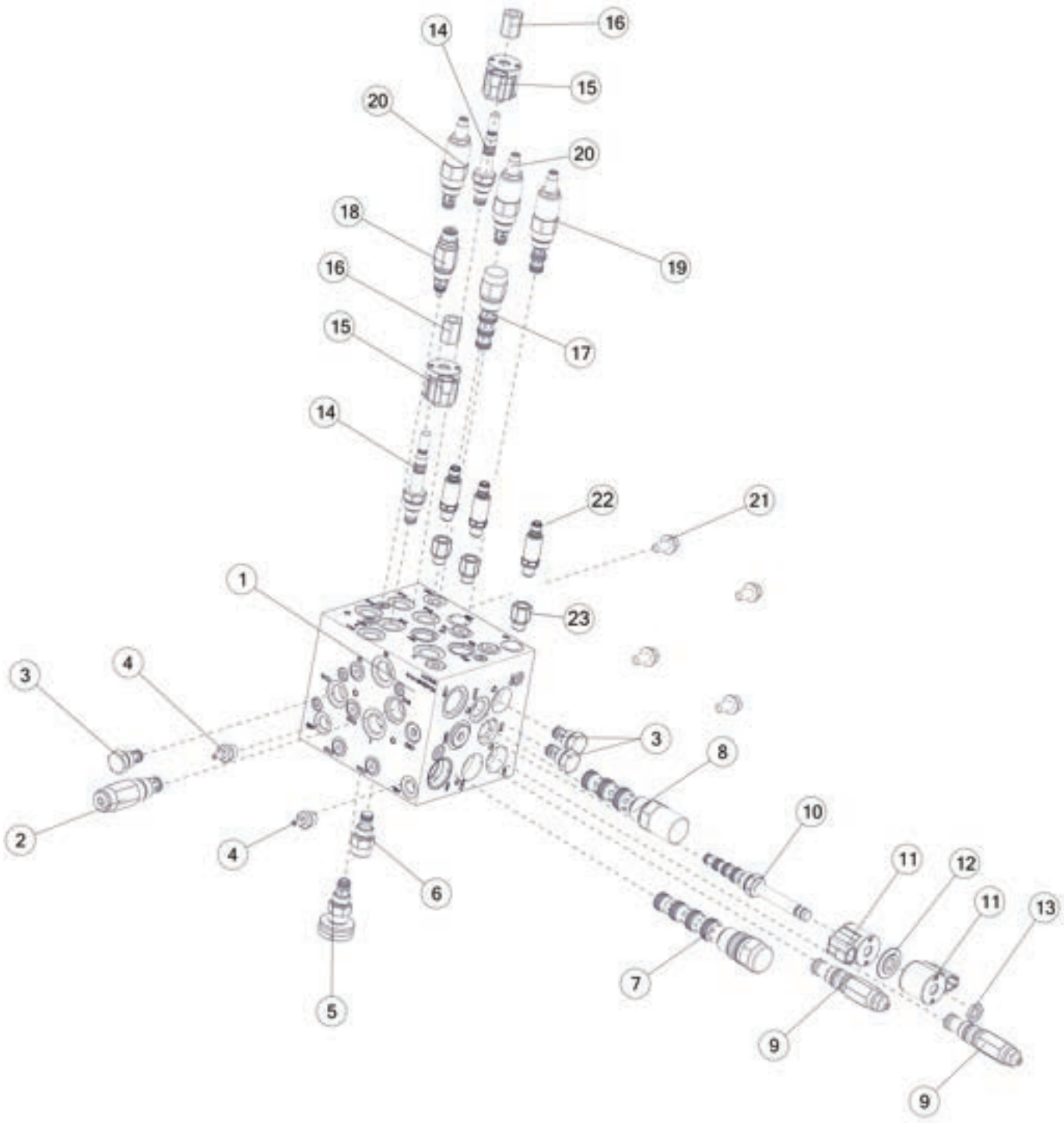






# FIGURE 16

## STEERING MANIFOLD & COMPONENTS

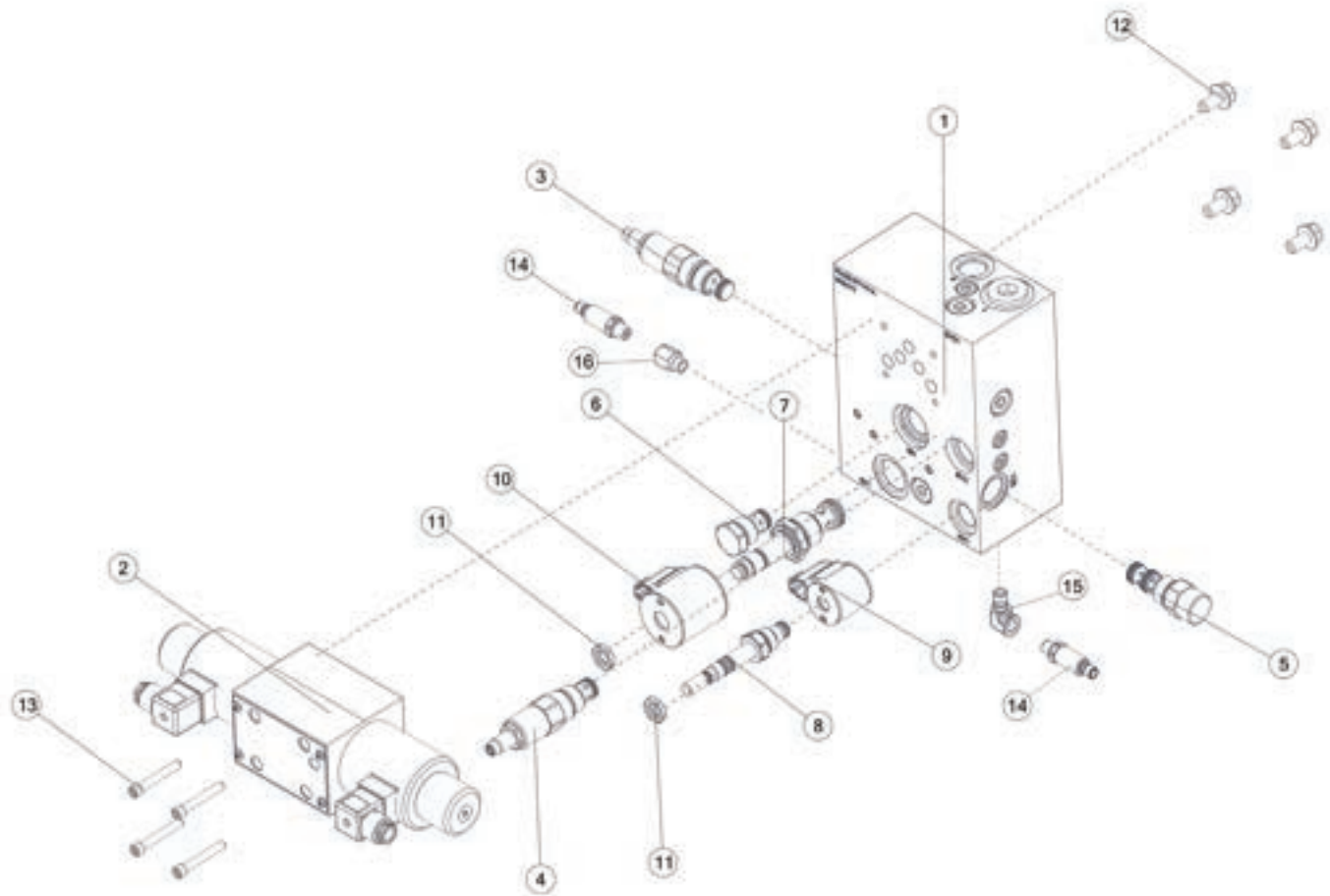






# FIGURE 17

## BELT CONTROL MANIFOLD & COMPONENTS



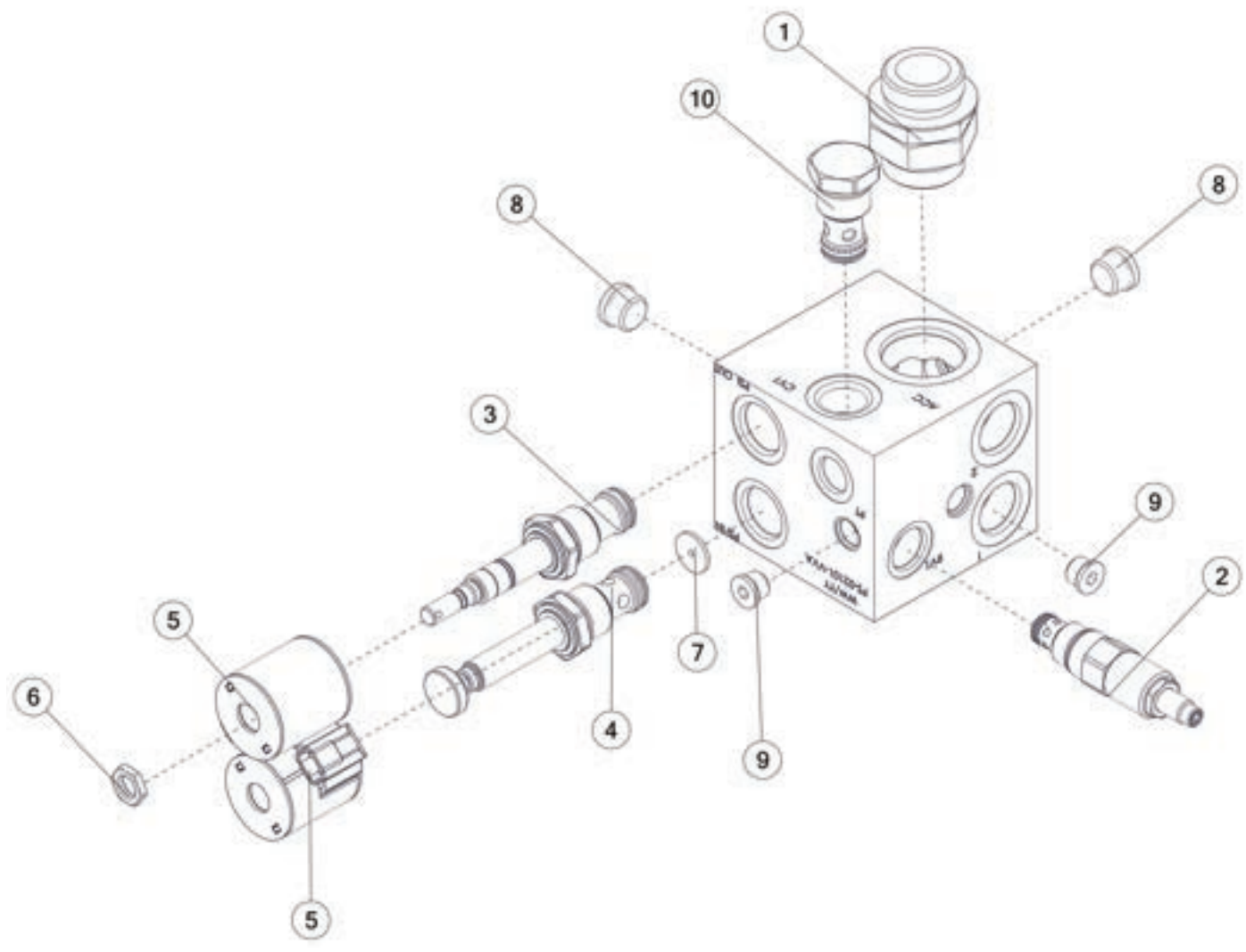




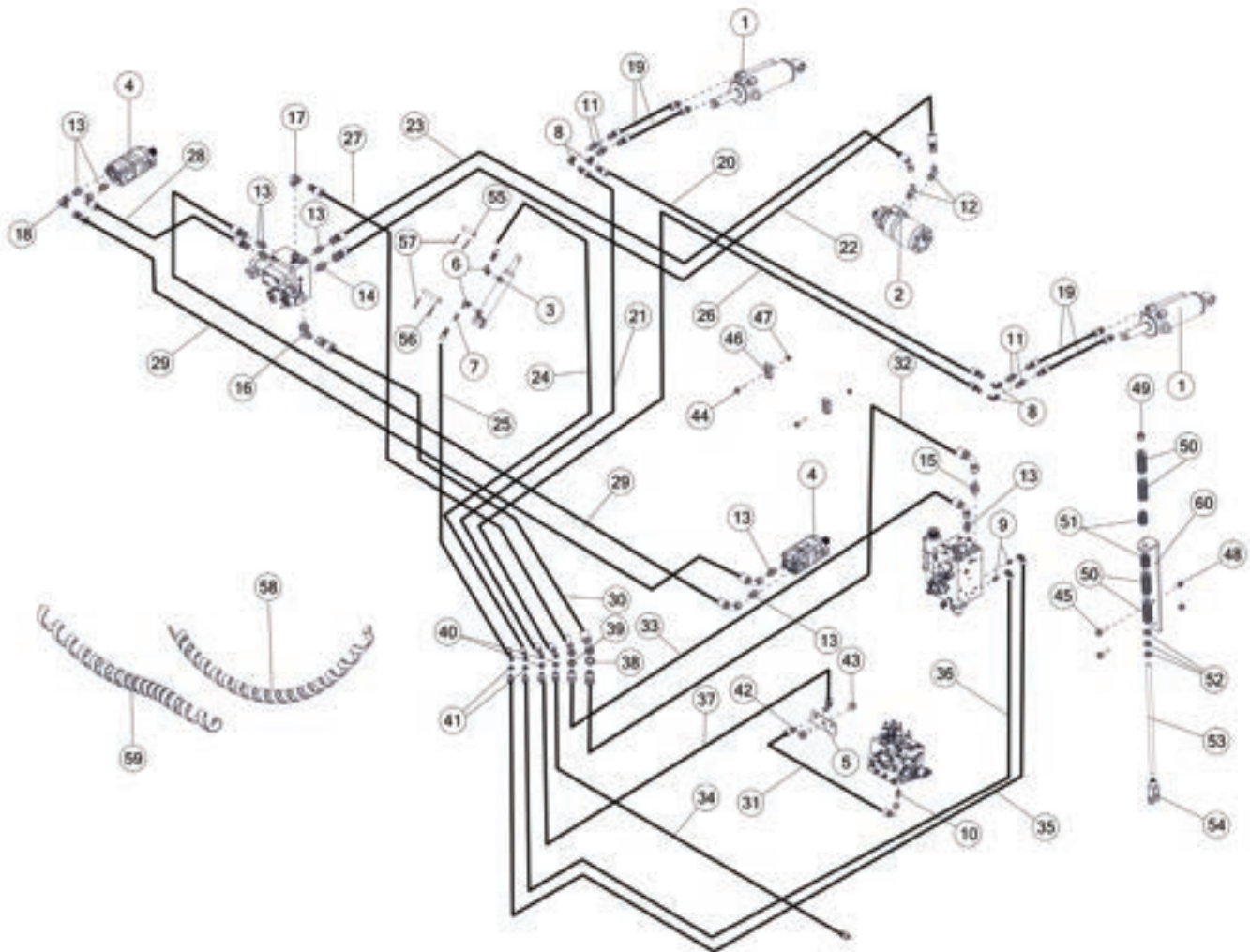


# FIGURE 18

## HYDRAULIC MANIFOLD









# FIGURE 19

## LEFT HEAD HYDRAULICS & COMPONENTS

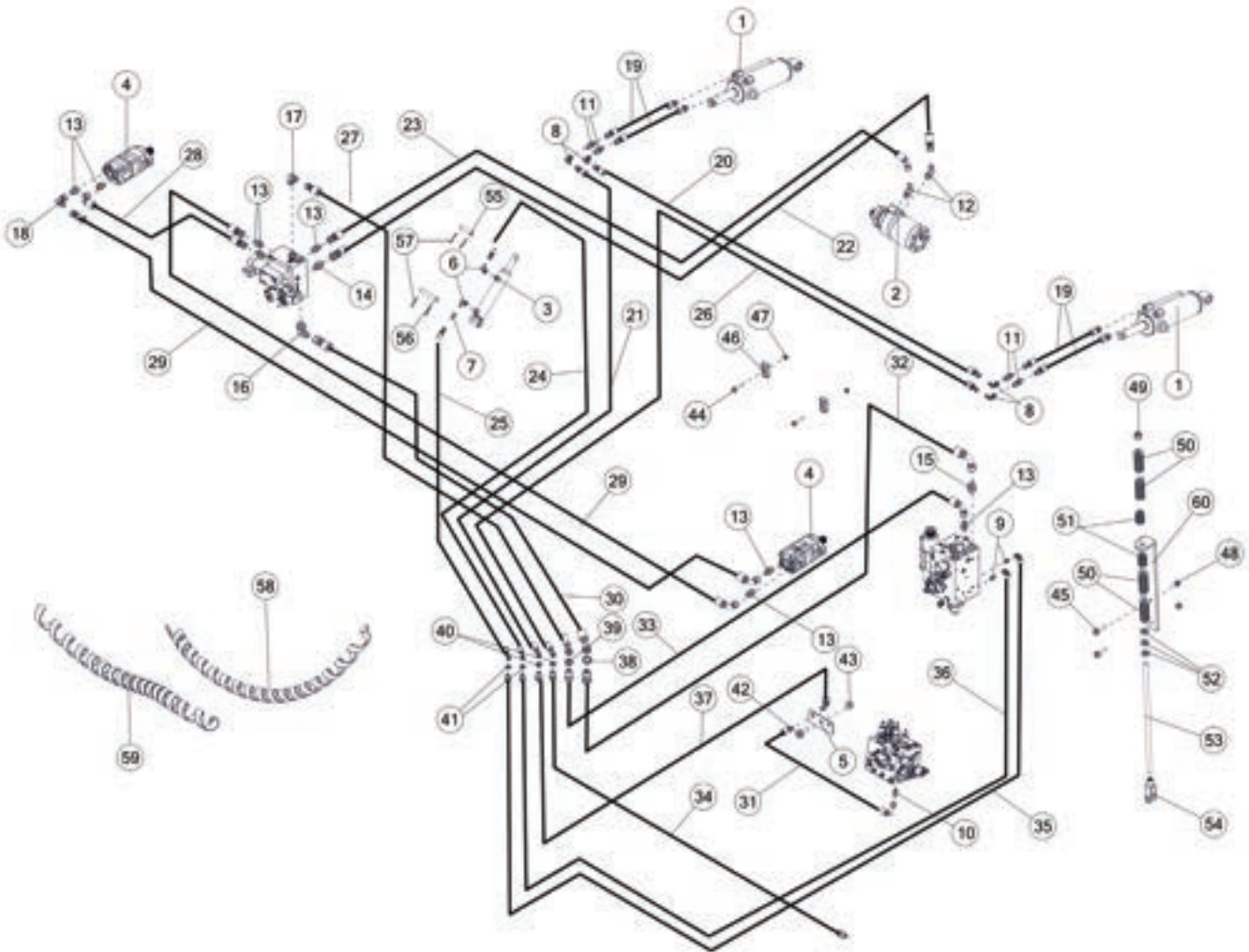
REF #	PART #	DESCRIPTION	QTY
1	90462	HYDRAULIC CYLINDER, 3 1/2 X 6	2
*	90463	SEAL KIT	2
2	82161	HYD MOTOR, 39.6 CU IN, DELTA	1
3	85918	HYD CYLINDER, 1.5 X6	1
4	81763	HYD MOTOR, 9.6 CU IN, 2K	2
5	99749	ADAPTER BRACKET	1
6	71281	FITTING, 90, 4JIC X 6ORB	2
7	58108	IN-LINE CONNECTOR, ORIFICE	1
8	58127	FITTING 90, 3/8 JIC, 3/8 JIC	4
9	58094	FTG,ST,4JIC,4ORB,STL	2
10	CHM257	FTG,ST,6JIC,6ORB,STL	1
11	95983	FITTING ST, 6 JIC, 6JIC, BULKHEAD	4
12	CHM175	FITTING, 45, 10JIC X 10ORB	2
13	GM57	FTG,ST,10JIC,10ORB,STL	8
14	GM21	FTG,ST,12JIC,10ORB,STL	1
15	SD273	FTG,ST,12JIC,12ORB,STL	1
16	CHM194	STRAIGHT THREAD ELBOW	1
17	GM56	FITTING, 90, 10JIC X 10ORB	1
18	83997	FITTING 90, 10 JIC, 10 JIC	1
19	95988	HYDRAULIC HOSE, 6, 22.0	2
20	HS102463	HYDRAULIC HOSE, 6, 112.00	1
21	HS102465	HYDRAULIC HOSE, 6, 135.89	1
22	91106	HYDRAULIC HOSE, 10, 102	1
23	91103	HYDRAULIC HOSE, 10, 98	1
24	HS102477	HYDRAULIC HOSE, 4, 99.88	1
25	HS102475	HYDRAULIC HOSE, 4, 92.50	1
26	HS102460	HYDRAULIC HOSE, 6,	1
27	HS102471	HYDRAULIC HOSE, 10, 108.75	1
28	88044	HYDRAULIC HOSE, 10, 36	1
29	91081	HYDRAULIC HOSE, 10, 142	2
30	HS102467	HYDRAULIC HOSE, 12, 115.81	1



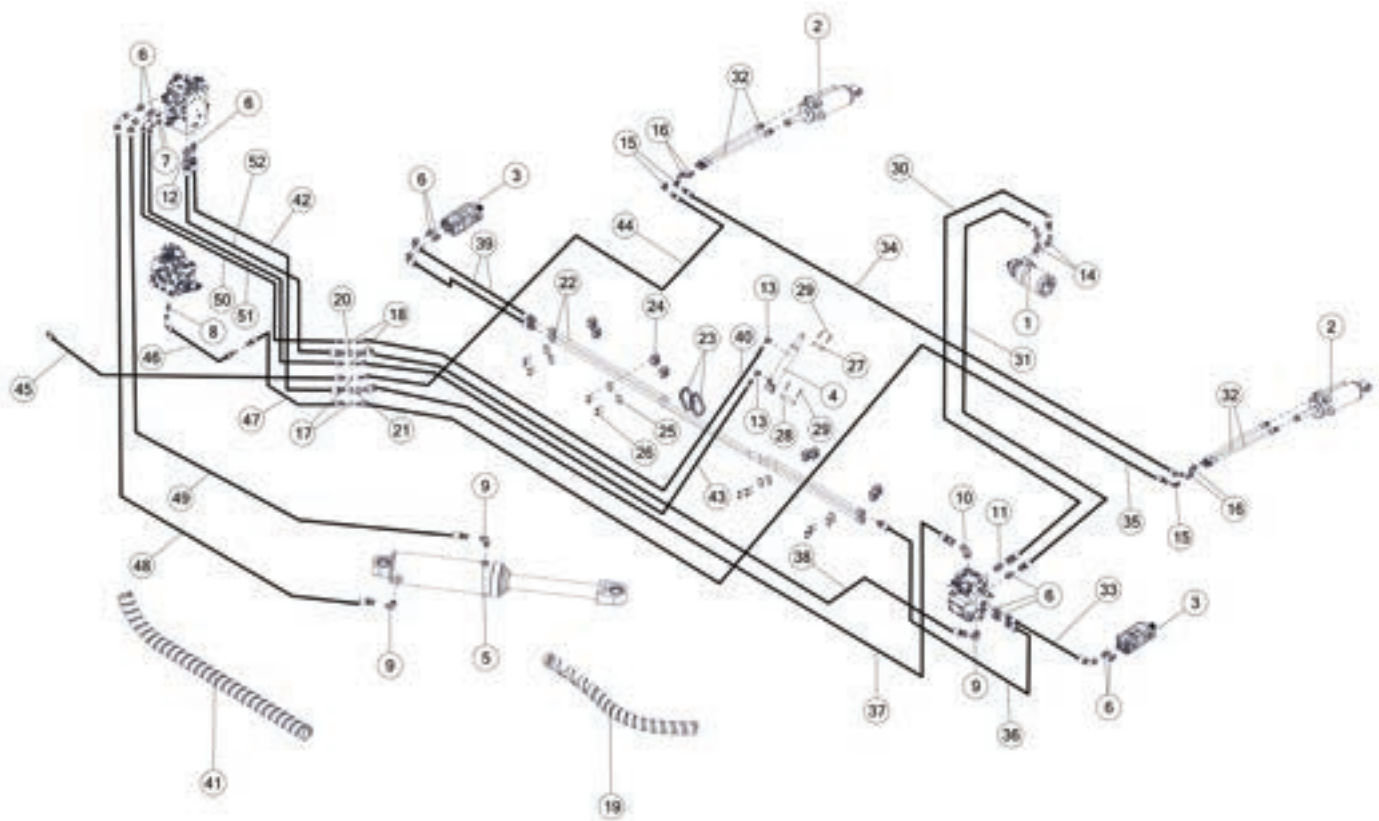


# FIGURE 20

## LEFT HEAD HYDRAULICS & COMPONENTS









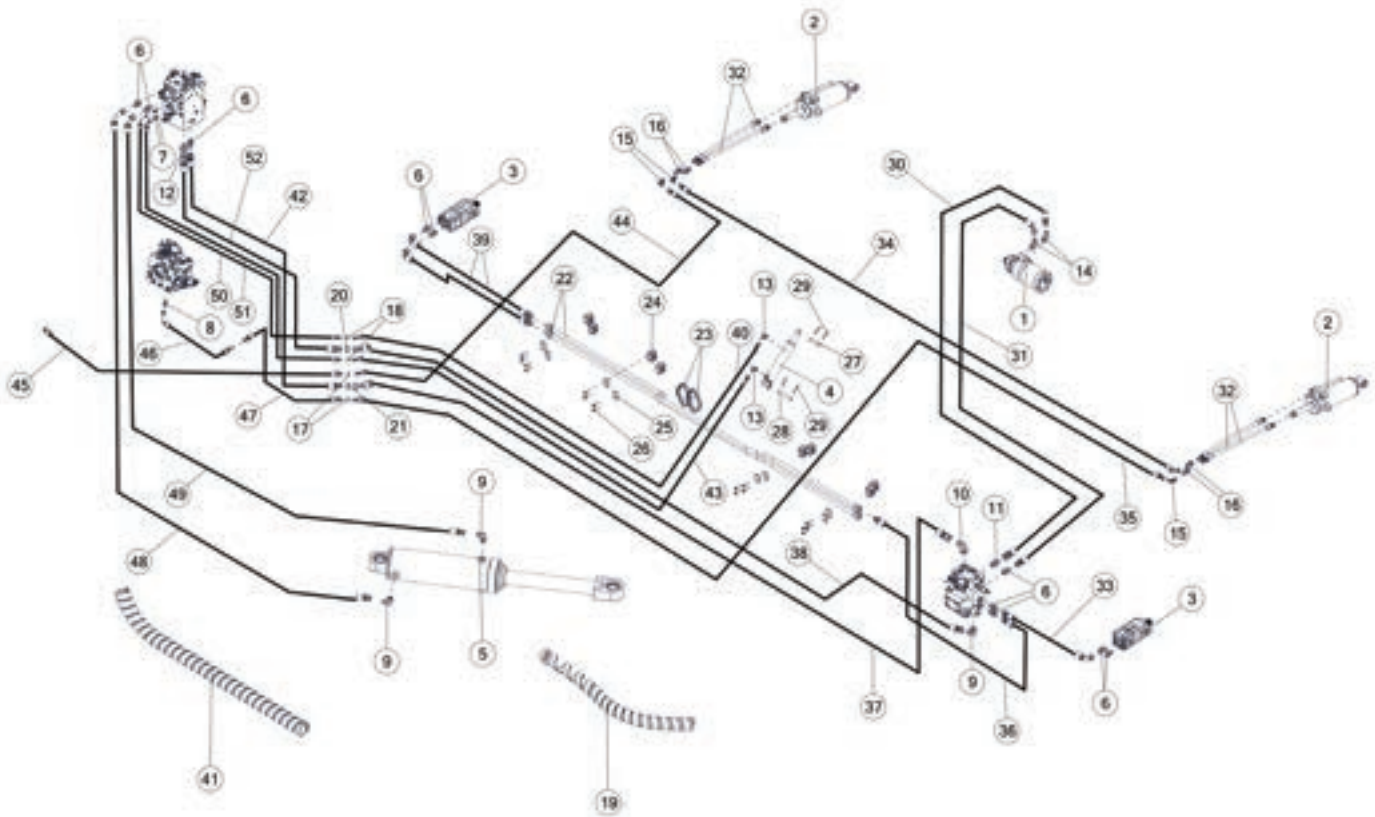


# FIGURE 21

## RIGHT HEAD HYDRAULICS & COMPONENTS

REF #	PART #	DESCRIPTION	QTY
1	82161	HYD MOTOR, 39.6 CU IN, DELTA	1
*	90463	SEAK KIT	1
2	90462	HYDRAULIC CYLINDER, 3 1/2 X 6	2
3	81763	HYD MOTOR, 9.6 CU IN, 2K	2
*	91920	SEAK KIT	1
4	85918	HYD CYLINDER, 1.5 X6	1
5	HS101465	HYDRAULIC CYLINDER, REPHASE 6 X 15	1
6	GM57	FTG,ST,10JIC,10ORB,STL	10
7	58094	FTG,ST,4JIC,4ORB,STL	2
8	CHM257	FTG,ST,6JIC,6ORB,STL	1
9	GM56	FTG, 90	3
10	CHM194	FITTING, 90, 12JIC X 12ORB	1
11	GM21	FTG,ST,12JIC,10ORB,STL	1
12	SD273	FTG,ST,12JIC,12ORB,STL	1
13	71281	FITTING, 90, 4JIC X 6ORB	2
14	CHM175	FITTING, 45, 10JIC X 10ORB	2
15	58127	FITTING 90, 3/8 JIC, 3/8 JIC	3
16	95983	FITTING ST, 6 JIC, 6JIC, BULKHEAD	4
17	95986	JAM NUT HEX, -6 JIC	2
18	98058	JAM NUT HEX, -4 JIC	2
19	HS101866	SPIRAL WRAP	1
20	84024	JAM NUT HEX, -12 JIC	1
21	84026	JAM NUT HEX, -10 JIC	1
22	95964	HYDRAULIC TUBE	2
23	93450	EDGING TWIN FLEX	2
24	CHM284	3/4" TUBE - HOSE CLAMP CUSHION	8
25	CHM283	TOP PLATE	8
26	YBFB08150	BOLT FLG, 1/4 X 1-1/2 G5	16
27	79558	CYLINDER PIN	1
28	84331	CYLINDER PIN	1
29	YPCT05010	COTTER PIN 5/32" X 1-1/2"	4
30	94773	HYD HOSE, 10, 128IN	1
31	94775	HYD HOSE, 10, 123IN	1
32	95988	HYDRAULIC HOSE, 6, 22.0	4
33	88044	HYDRAULIC HOSE, 10, 36	1
34	96004	HYDRAULIC HOSE, 6, 174	1
35	98288	HYDRAULIC HOSE, 6, 140	1



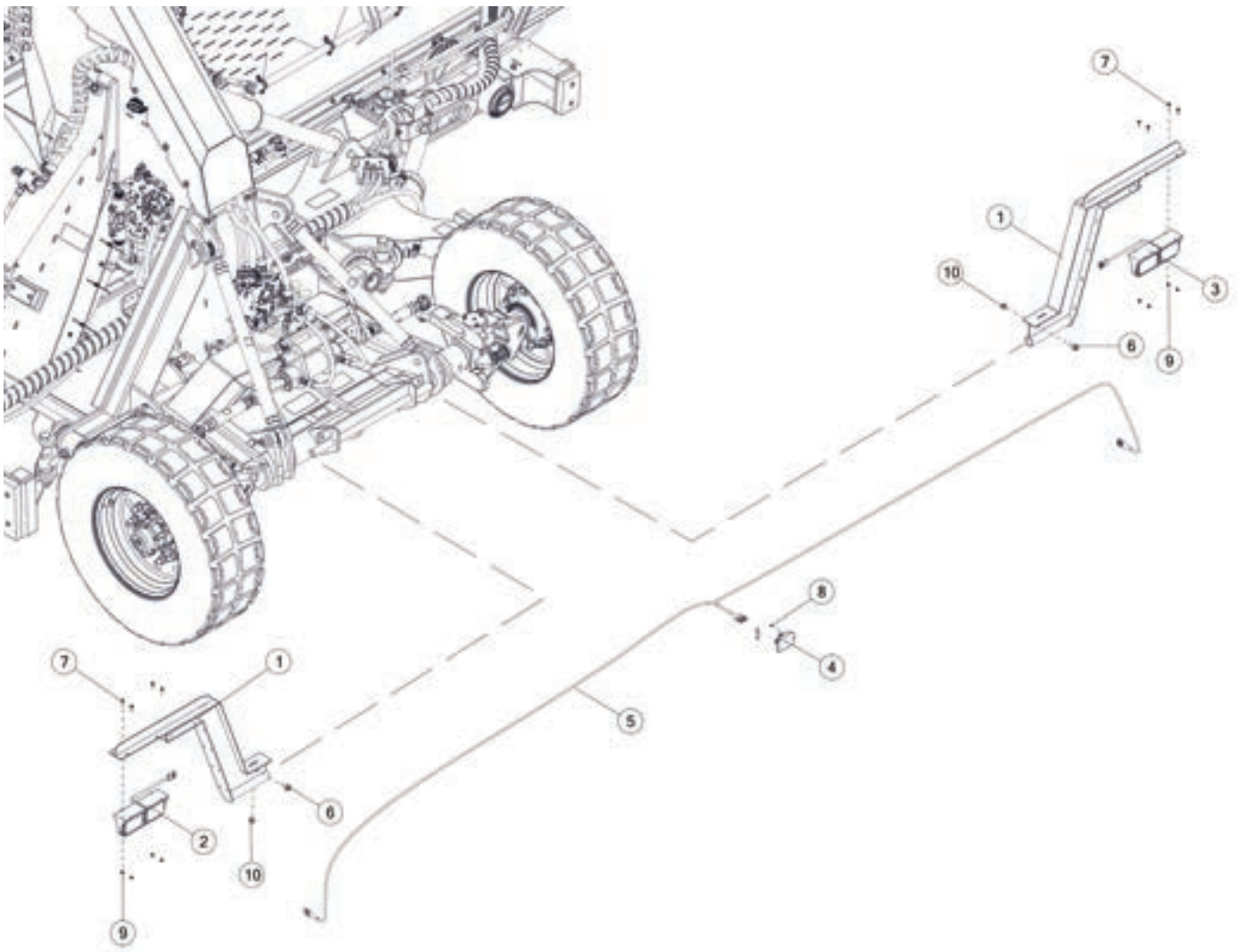




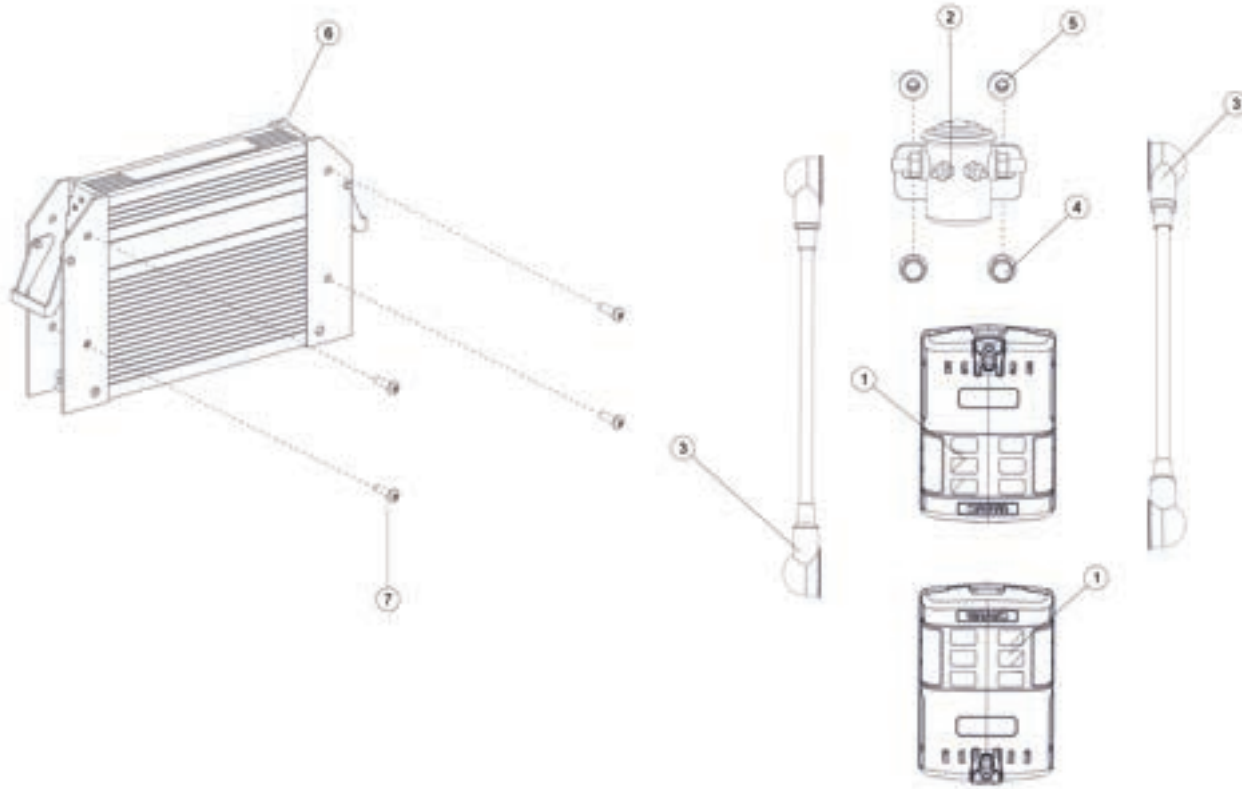


# FIGURE 23

## LIGHTS & COMPONENTS





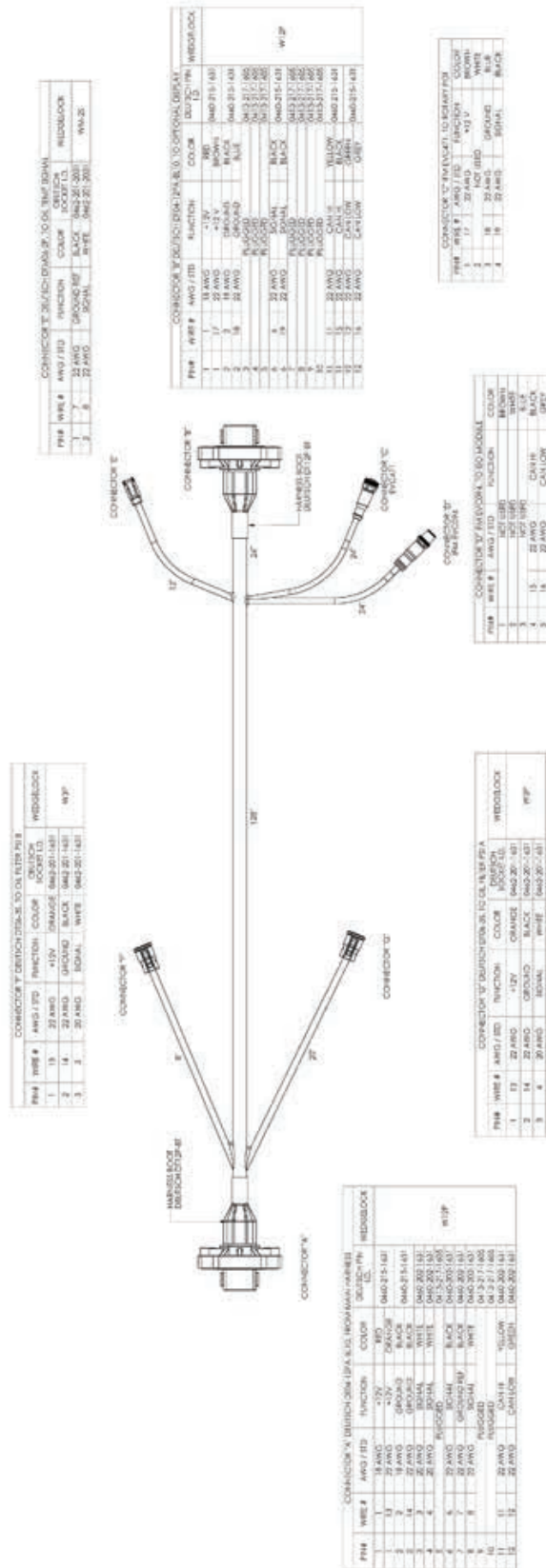


REF #	PART #	DESCRIPTION	QTY
1	97675	FUSE BLOCK	2
2	83008	SOLENOID	1
3	83132	POWER WIRE	2
4	YBFB10075	BOLT FLANGE, 5/16 X 3/4 G5	2
5	YNFG10005	NUT FLANGE, 5/16 GF	2
6	HS101194	PLC CONTROLLER	1
7	YSBS64005	BUTTON HEAD SOCKET CAP SCREW, #10-32 X 1-1/2	4





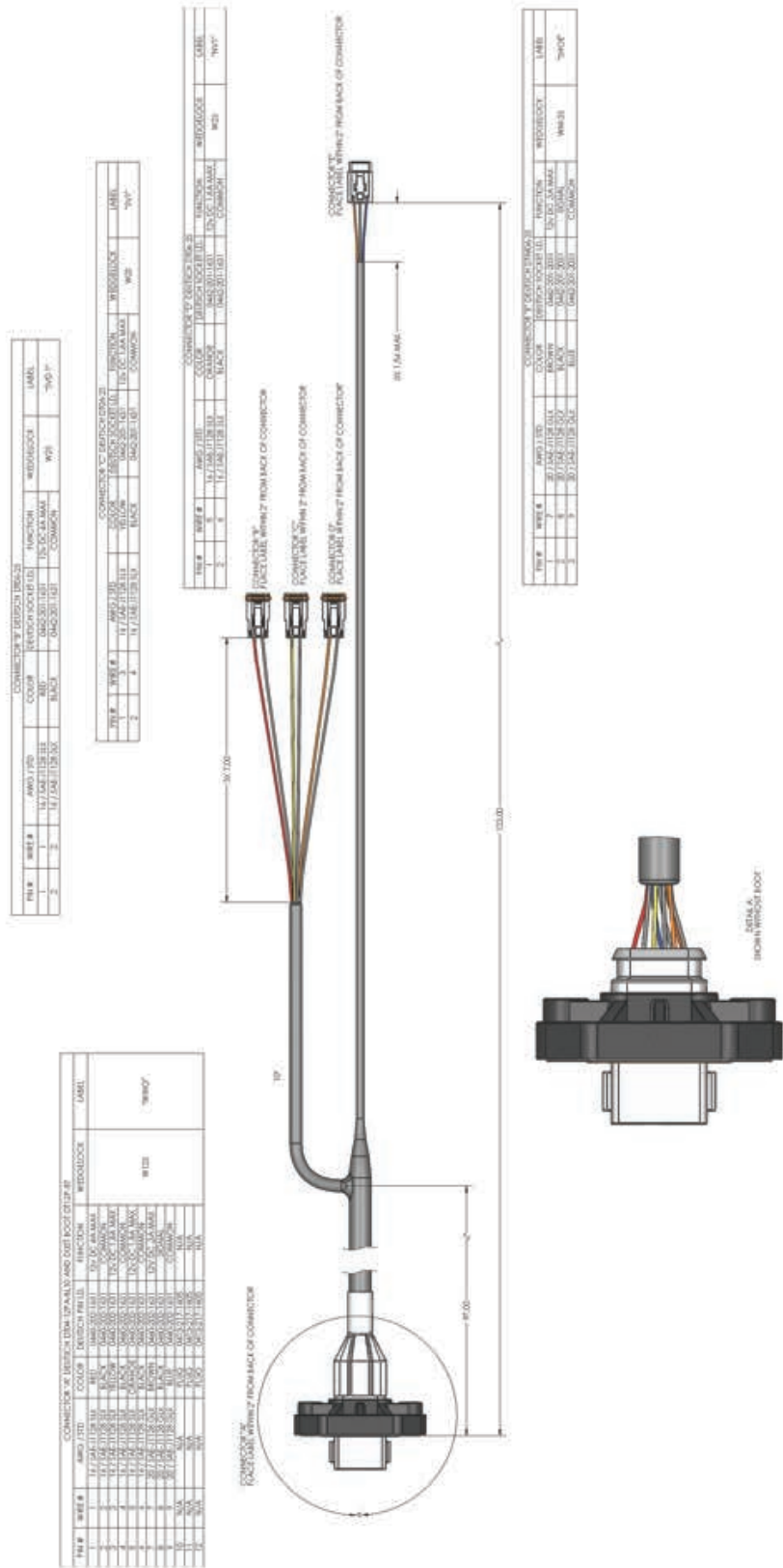
# FIGURE 26 POLE DATA HARNESS







# FIGURE 27 RIGHT WING HARNESS





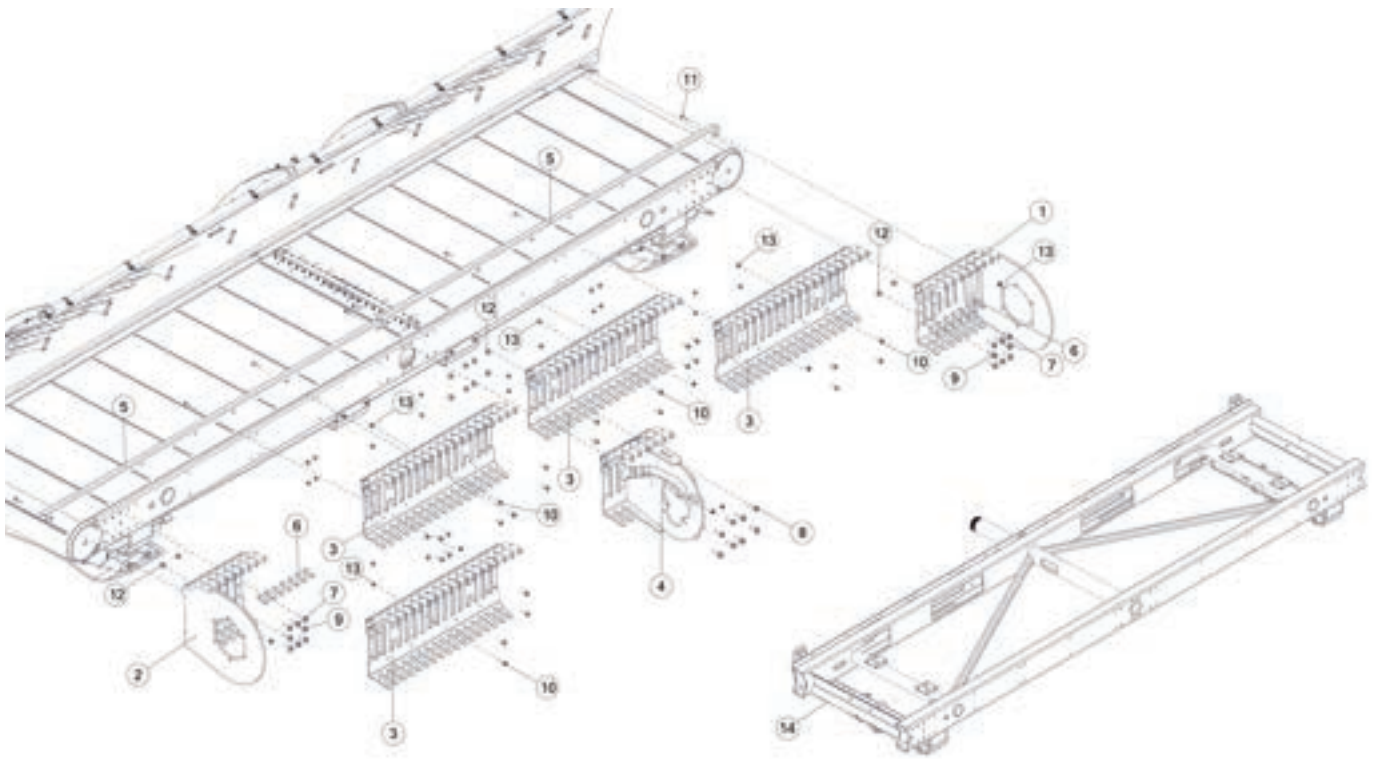
***PAGE INTENTIONALLY BLANK***

# ***MERGER HEADS***



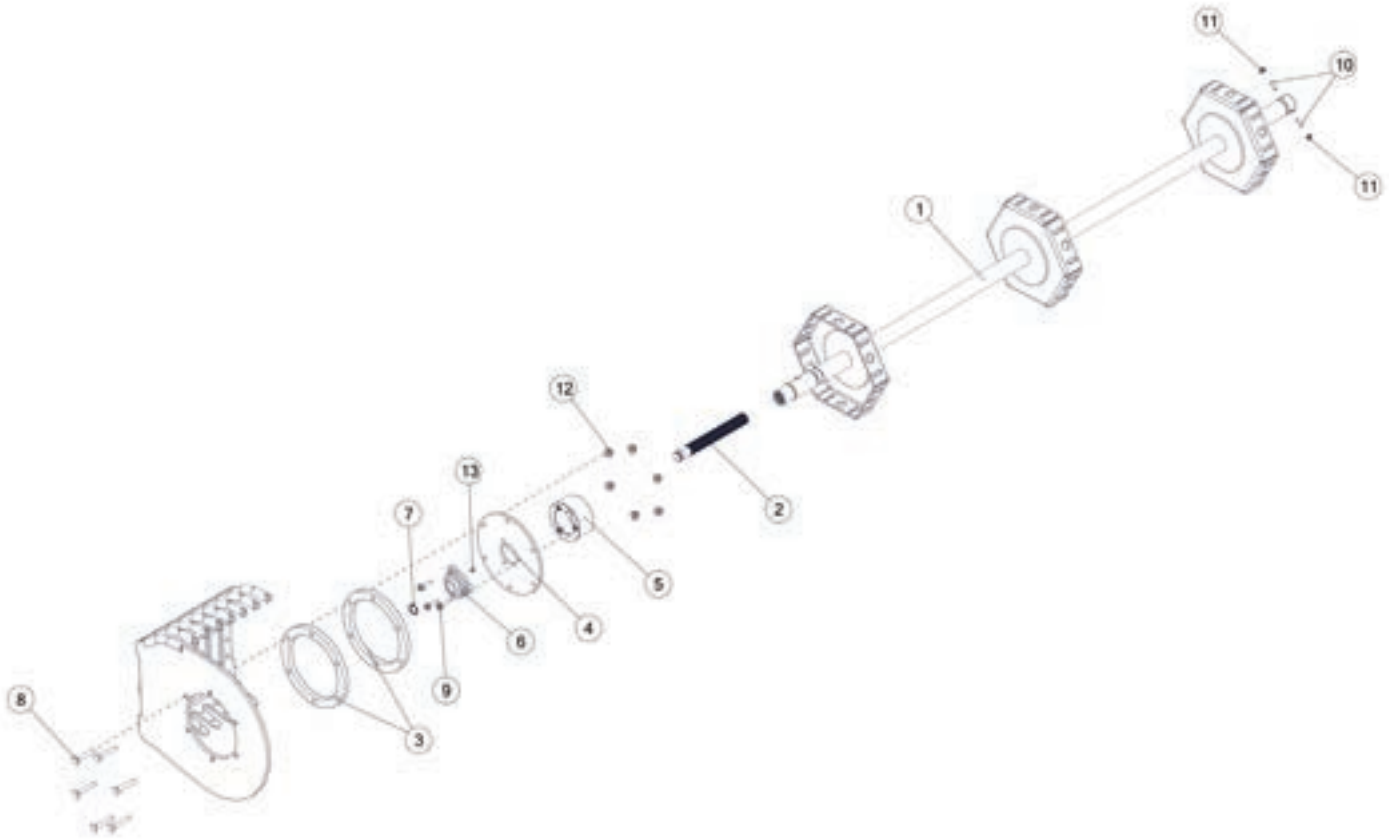
# FIGURE 1

## END CAPS & COMPONENTS



REF #	PART #	DESCRIPTION	QTY
1	85891B2	END CAP	1
2	85881B1	END CAP	1
3	94576	MOUNTING BRACKET	4
4	85863	CENTER CAM MOUNT	1
5	94747	TRANSITION PLATE	2
6	87344	BACKING PLATE	14
7	YBFB16150	BOLT FLANGE, 1/2 X 1-1/2 G5	12
8	YBFB16175	BOLT FLANGE, 1/2 X 1-3/4 G5	8
9	YBFB16125	BOLT FLANGE, 1/2 X 1-1/4 G5	4
10	YBFB12125	BOLT FLANGE, 3/8 X 1-1/4 G5	24
11	YBCR12015	BOLT CARRIAGE, 3/8-16 X 1-1/2 G5 ZC	8
12	YNFG16003	NUT FLANGE, 1/2 GF	20
13	YNFG12006	NUT FLANGE, 3/8 GF	32
14	94574	HEAD	1
*	90932	GEARBOX ASSEMBLY	2
*	94492	TINE BAR ASSEMBLY	1
*	94498	TINE BAR ASSEMBLY	1





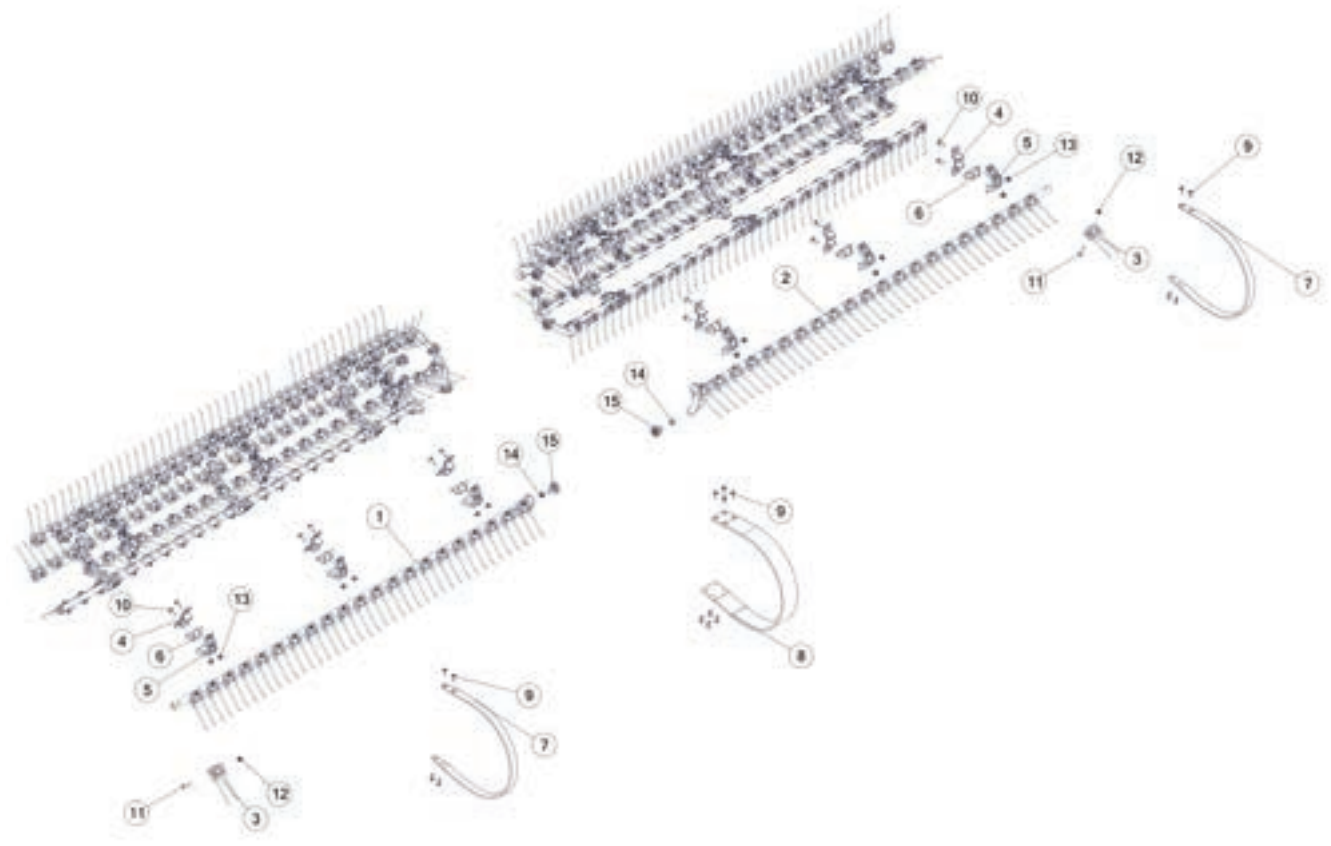
REF #	PART #	DESCRIPTION	QTY
1	94501B	REEL WELDMENT	1
2	83467	SPLINE SHAFT	1
3	83408	LARGE SPACE	2
4	83407	BEARING MOUNT	1
5	59143	ANTI WRAP GUARD	1
6	TFM50	HEAD IDLER BEARING	1
7	F73	SNAP RING, 1-1/4	1
8	YBCR16038	BOLT CARRIAGE, 1/2-13 X 3-1/4, G5, ZC	6
9	YBFB12175	BOLT FLANGE, 3/8 X 1-3/4 G5	3
10	YSKP12005	SET SCREW, SOCKET, KNURLED CUP PT, 3/8-16 X 1	2
11	YNFG12006	NUT FLANGE, 3/8 GF	2
12	YNFG16003	NUT FLANGE, 1/2 GF	6
13	GM503	GREASE ZERK 60104 90 DEGREE	1





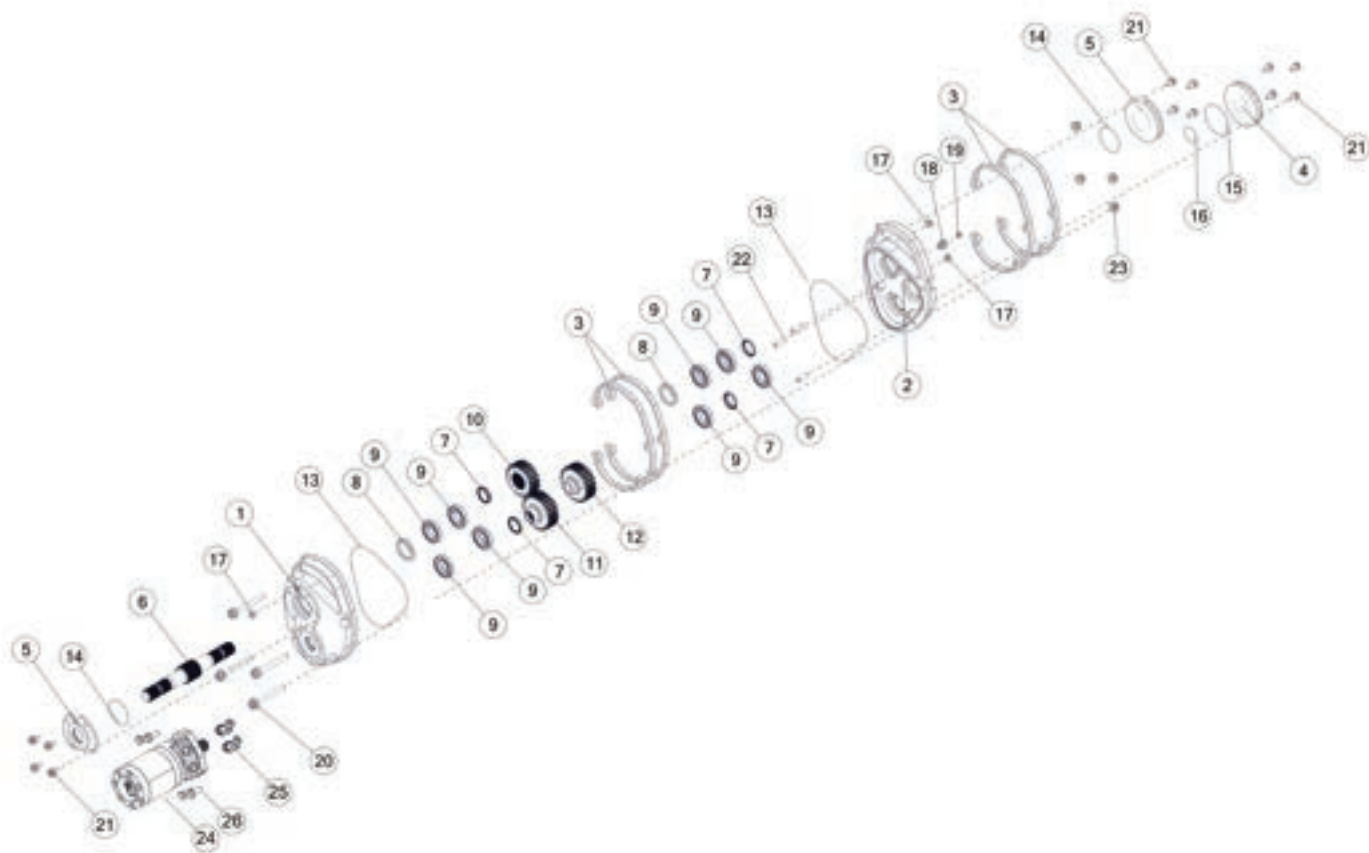
# FIGURE 3

## TINE BARS & COMPONENTS



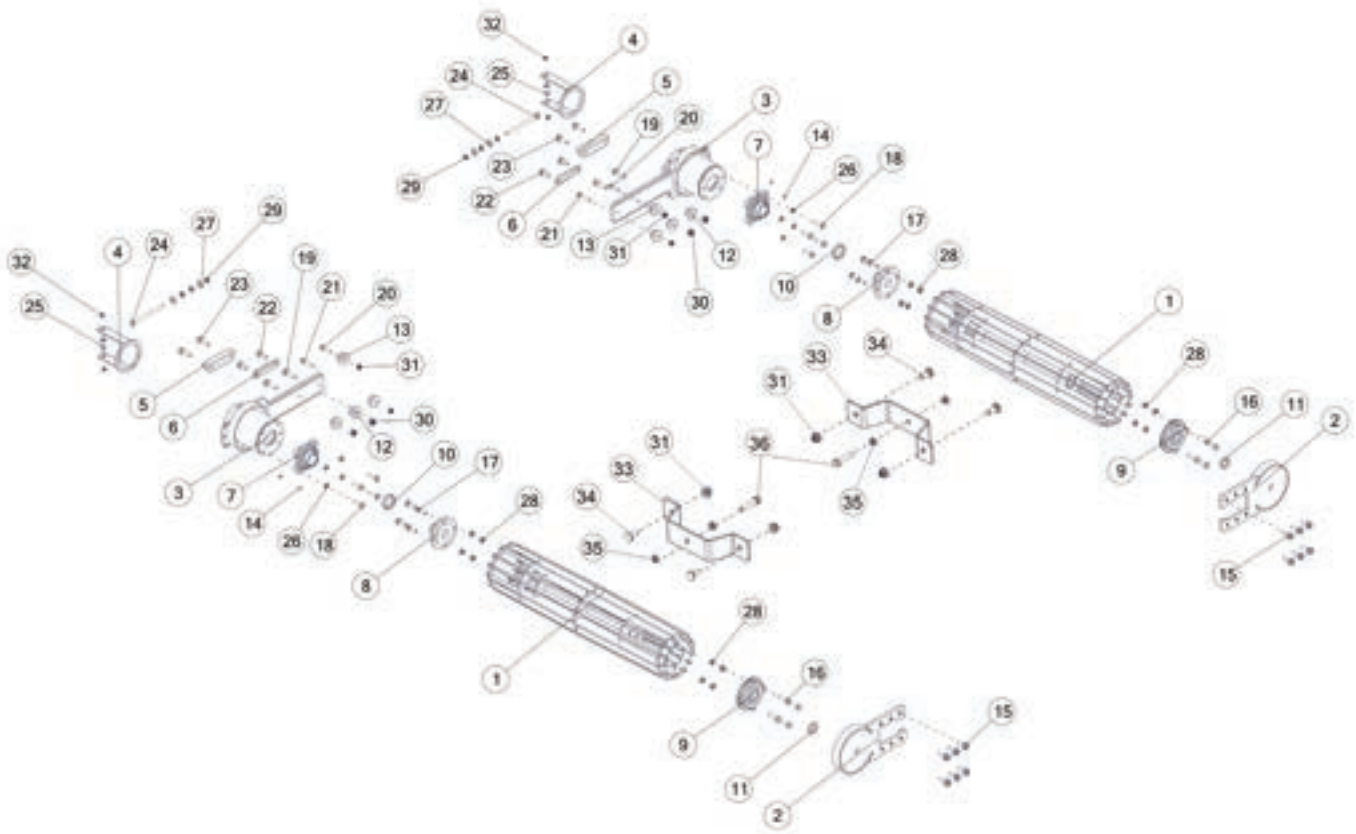
REF #	PART #	DESCRIPTION	QTY
1	94493	TINE BAR	6
2	94499	TINE BAR	6
3	SPMMS00	RUBBER TINE	252
4	SPMMS16	BEARING HOUSING BOTTOM	126
5	SPMMS17	BEARING HOUSING TOP	36
6	97179	TINE BAR WEAR SLEEVE	36
7	SPMMS13	HAY STRIPPER, INJECTION MOLDED	86
8	SPMPL04	CENTER HAY STRIPPER	1
9	YSHW10005	THREAD CUTTING SCREW, 5/16 X 1	352
10	YBCR14005	BOLT CARRIAGE, FT, 7/16-14 X 1-1/4, A, ZC	72
11	YBFB12200	BOLT FLANGE, 3/8 X 2 G5	252
12	YNFG12006	NUT FLANGE, 3/8 GF	252
13	YNFG14011	NUT FLANGE, 7/16 GF	72
14	YNFG16003	NUT FLANGE, 1/2 GF	12
15	85705	CAM BEARING	12













# FIGURE 5

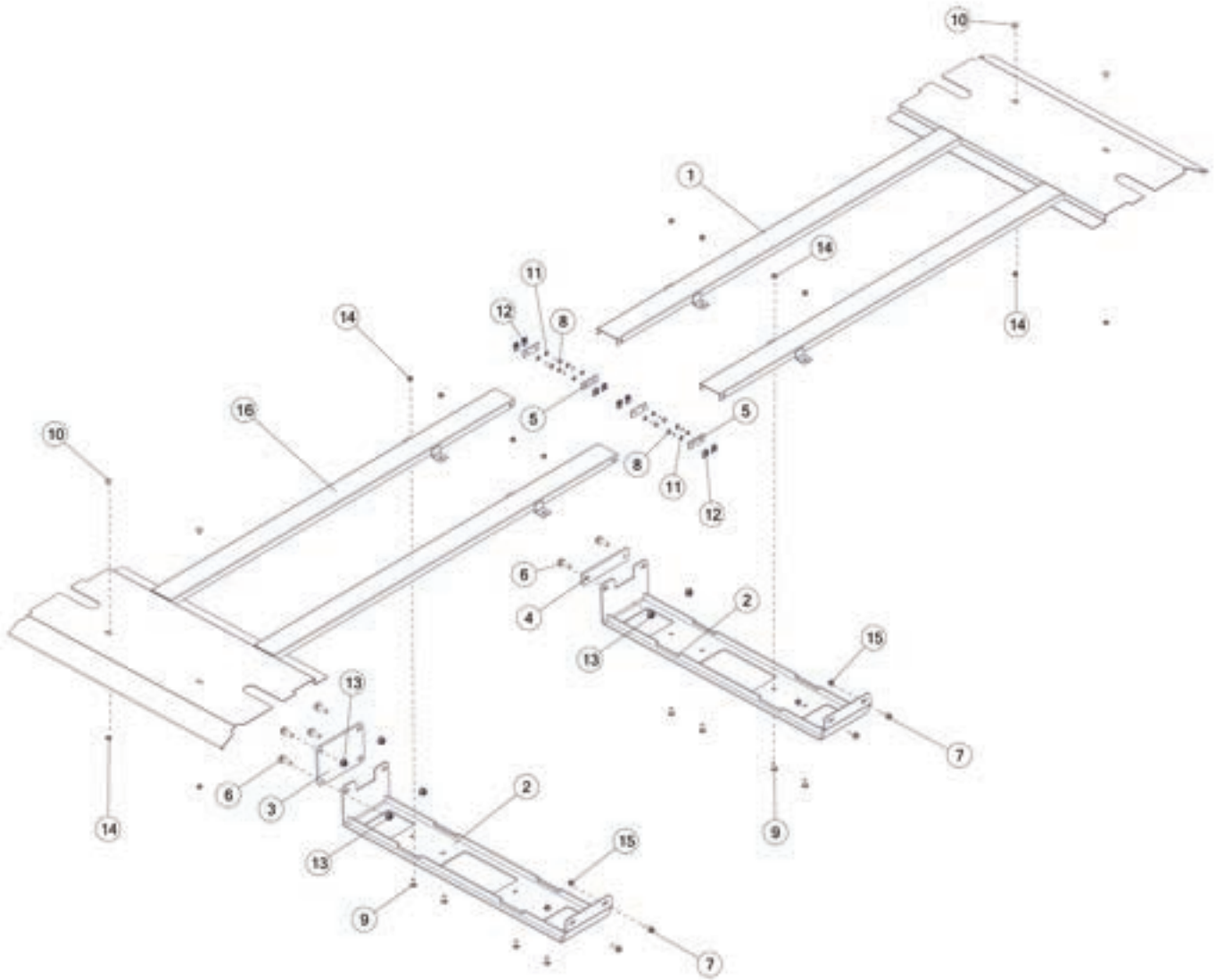
## ROLLER ASSEMBLY & COMPONENTS

REF #	PART #	DESCRIPTION	QTY
1	82863	ROLLER, FLUTED, A-SECTION	2
2	96602	BEARING SUPPORT	2
3	97366	CROSS CONVEYER, DRIVE	2
4	83177	MOTOR HOLD DOWN BRACKET	2
5	96970	TENSIONING BRACKET	2
6	84034	CLAMP PLATE	2
7	60135	MOTOR HOUSING BEARING	2
*	97595	BEARING, 2	2
8	83707	REEL DRIVE HUB	2
9	TFM45	IDLER BEARING	2
*	97601	HEX BEARING INSERT, 1.25	2
10	88924	SPACER	2
11	HS101626	SPACER	2
12	84054	BEARING BUSHING	4
13	82850	BEARING BUSHING	4
14	YSSO12015	SET SCREW, SOCKET, 3/8-24 X 3/8	4
15	YBFB16150	BOLT FLANGE, 1/2 X 1-1/2 G5	12
16	YBHH16065	BOLT, 1/2"-13 X 2" G5	8
17	YBHH16030	BOLT, 1/2-13 X 1-1/2 G5	8
18	YBHH16055	BOLT, 1/2-13 X 1-3/4 G5	5
19	YBFB16200	BOLT FLANGE, 1/2 X 2 G5	4
20	YBFB12175	BOLT FLANGE, 3/8 X 1-3/4 G5	2
21	YBFB12225	BOLT FLANGE, 3/8 X 2-1/4 G5	2
22	YBFB16125	BOLT FLANGE, 1/2 X 1-1/4 G5	4
23	YBFB16175	BOLT FLANGE, 1/2 X 1-3/4 G5	4
24	YBHH16181	BOLT, 1/2 X 7 G5 FULL THREAD	2
25	YBCR12065	BOLT CARRIAGE, 3/8-16 X 3/4, G5, ZC	4
26	YWLO16005	WASHER, LOCK, 1/2	8
27	YWFL16005	WASHER, FLAT, 1/2 USS	4
28	YNL16005	NUT HEX, 1/2-13, LKTL, C, ZC	8
29	YNJM16005	NUT JAM, 1/2 A	6
30	YNFG16003	NUT FLANGE, 1/2 GF	4
31	YNFG12006	NUT FLANGE, 3/8 GF	6
32	YNL12005	NUT HEX, 3/8-16, LKTL, C, ZC	4
33	HS101631	SCRAPER BRACKET	2
34	YBCR12010	BOLT CARRIAGE, 3/8 X 1 G5	4
35	YNJM12005	NUT JAM, 3/8	4
36	YBHH12060	BOLT HEX, 3/8 X 1-3/4 G5	2





# FIGURE 6 BELT PAN & COMPONENTS

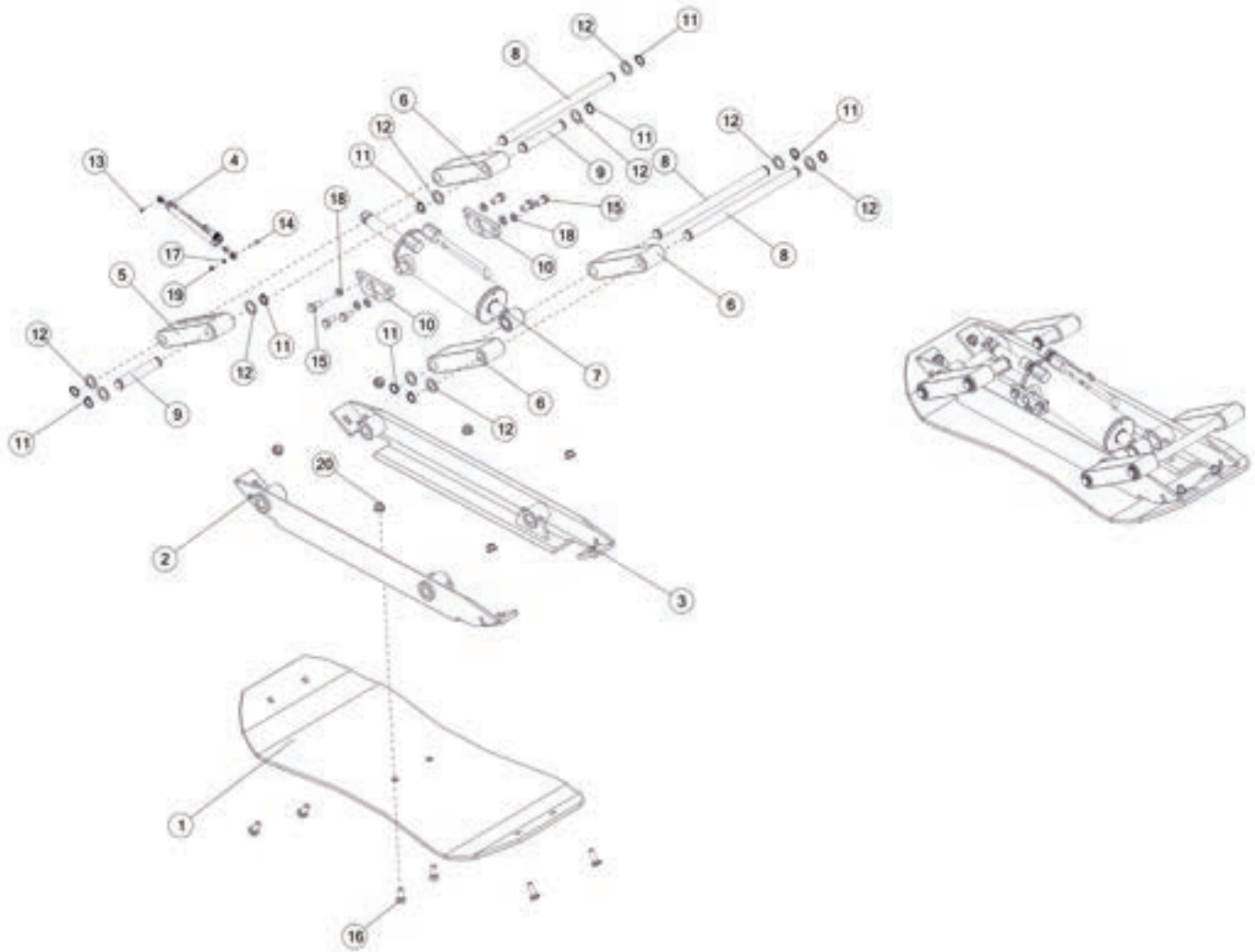




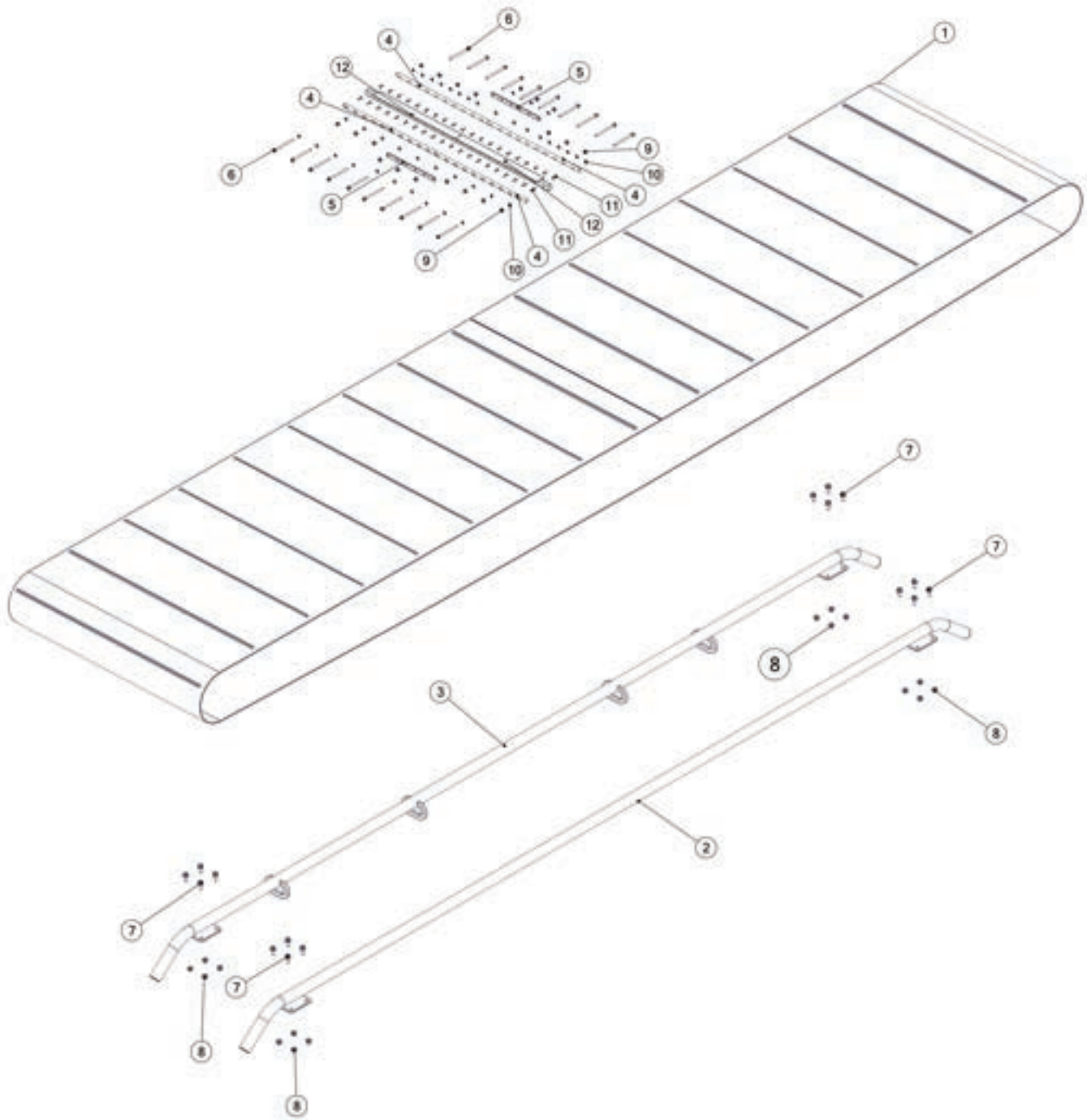


# FIGURE 7

## SKID SHOES & COMPONENTS

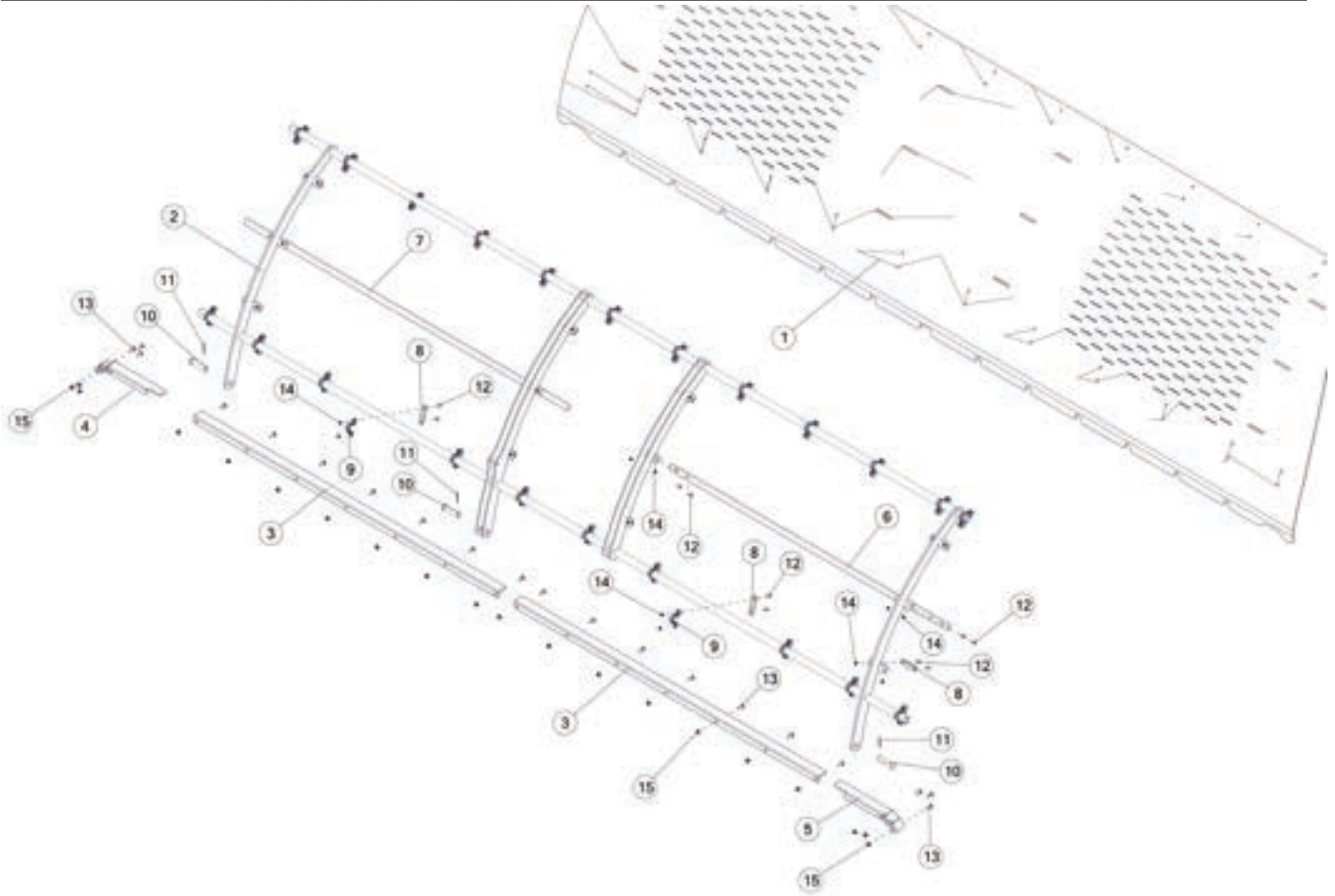










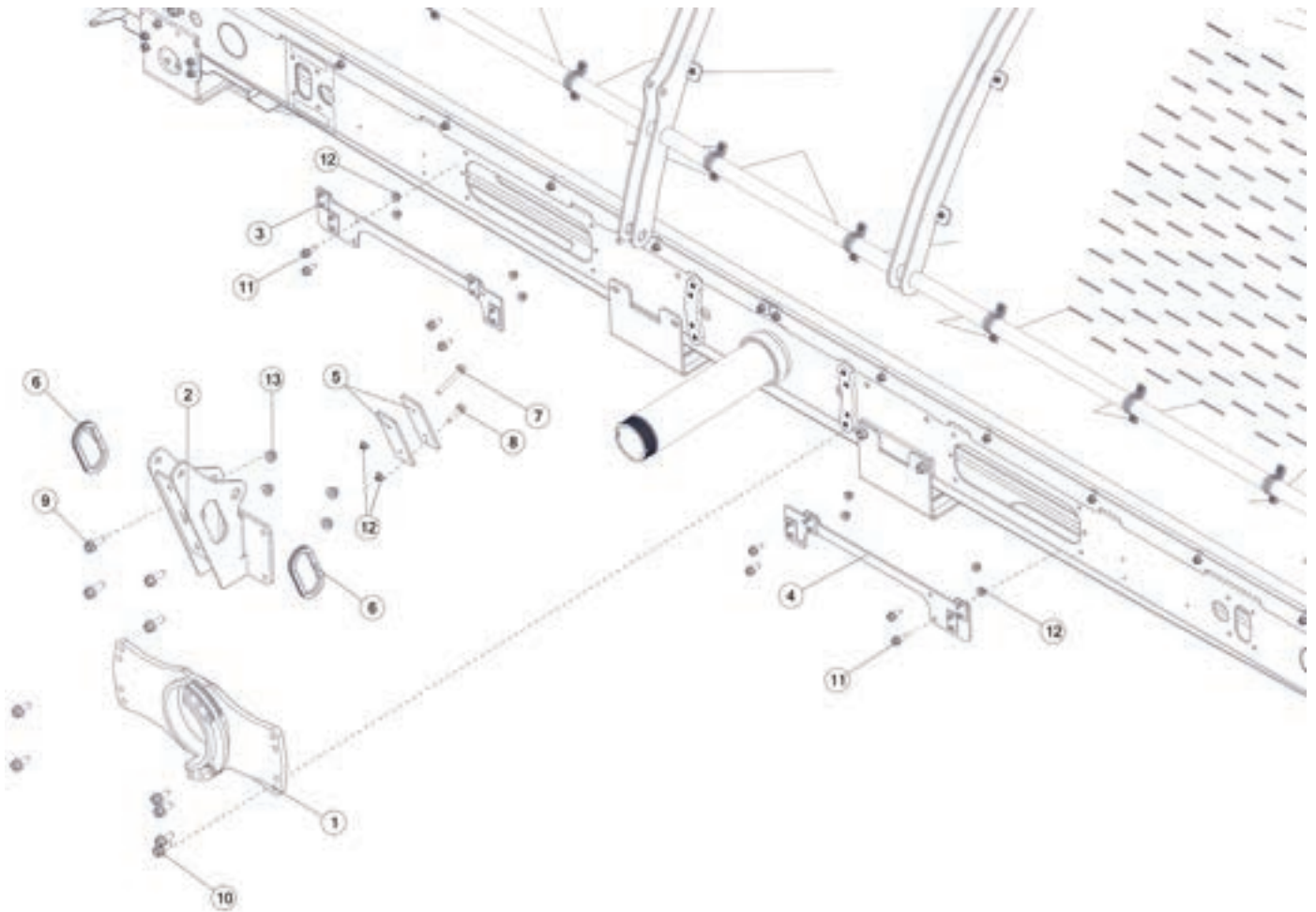


REF #	PART #	DESCRIPTION	QTY
1	94526	DEFLECTOR PANEL, LH	1
*	94534	DEFLECTOR PANEL, RH	1
2	94522	DEFLECTOR FRAME, LH	1
*	94525	DEFLECTOR FRAME, RH	1
3	94748	DEFLECTOR GUIDE PLATE	4
4	85988	BELT GUARD	2
5	85991	BELT GUARD	2
6	94528	CLAMPING STRIP, SHORT	2
7	94527	CLAMPING STRIP, LONG	2
8	84178	CLAMP PLATE	72
9	84177	TUBE CLAMP	60
10	86652	DEFLECTOR PIN	6
11	YPCT06015	COTTER PIN, 3/16 X 1-3/4	6
12	YBCR08005	BOLT CARRIAGE, 1/4-20 X 1.00, G5, ZC	144
13	YBCR12010	BOLT CARRIAGE, 3/8-16 X 1.00, G5, ZC	40
14	YNFG08010	NUT FLANGE, 1/4 GF	144
15	YNFG12006	NUT FLANGE, 3/8 GF	40



# FIGURE 10

## HEAD CYLINDER MOUNT & COMPONENTS



REF #	PART #	DESCRIPTION	QTY
1	92105	LOCKING BRACKET	2
2	83920	CYLINDER MOUNT	2
3	96408	MOUNTING BRACKET, HYD	2
4	96410	MOUNTING BRACKET, HYD	2
5	96036	PLATE	4
6	93450	EDGING TWIN FLEX	4
7	YBFB12300	BOLT FLANGE, 3/8 X 3 G5	2
8	YBFB12150	BOLT FLANGE, 3/8 X 1-1/2 G5	2
9	YBFB16150	BOLT FLANGE, 1/2 X 1-1/2 G5	8
10	YBFB16125	BOLT FLANGE, 1/2 X 1-1/4 G5	12
11	YBFB12003	BOLT FLANGE, 3/8 X 1 G5	16
12	YNFG12006	NUT FLANGE, 3/8 GF	20
13	YNFG16003	NUT FLANGE, 1/2 GF	8



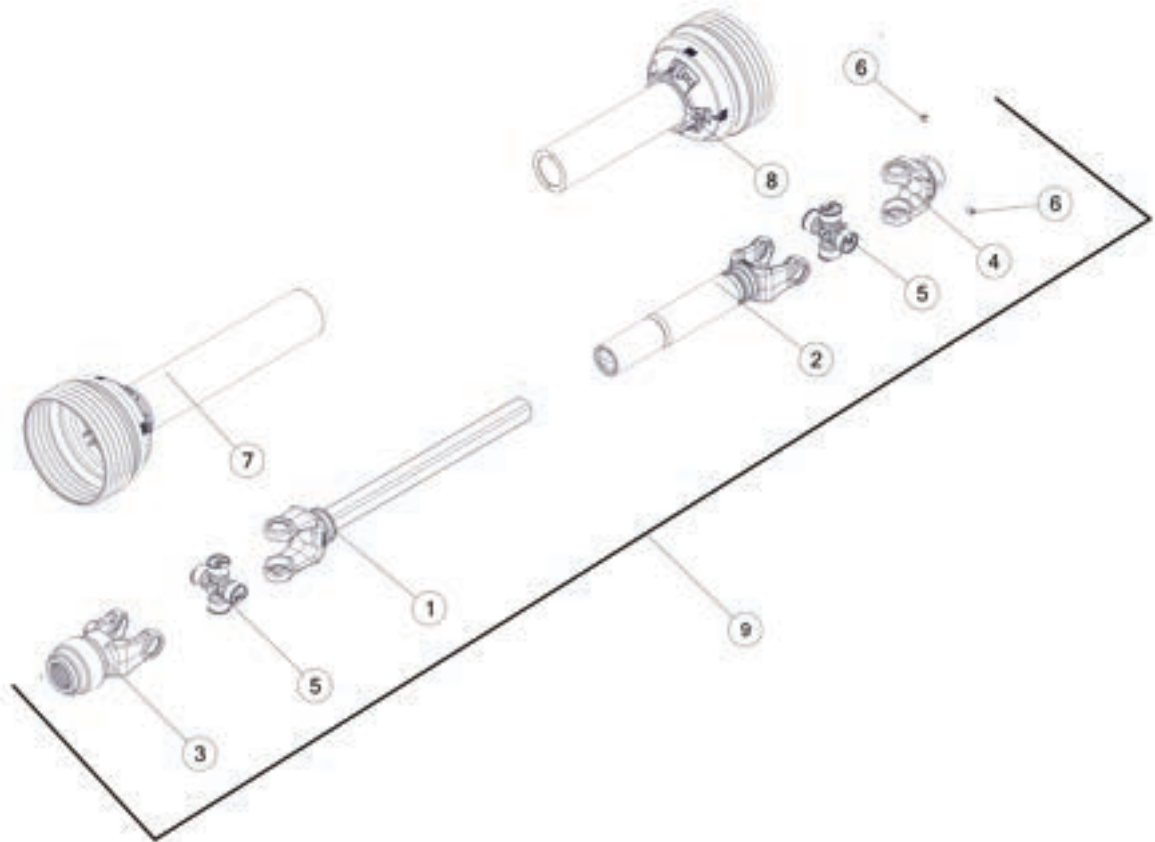
***PAGE INTENTIONALLY BLANK***

# ***PTOs and OPTIONS***





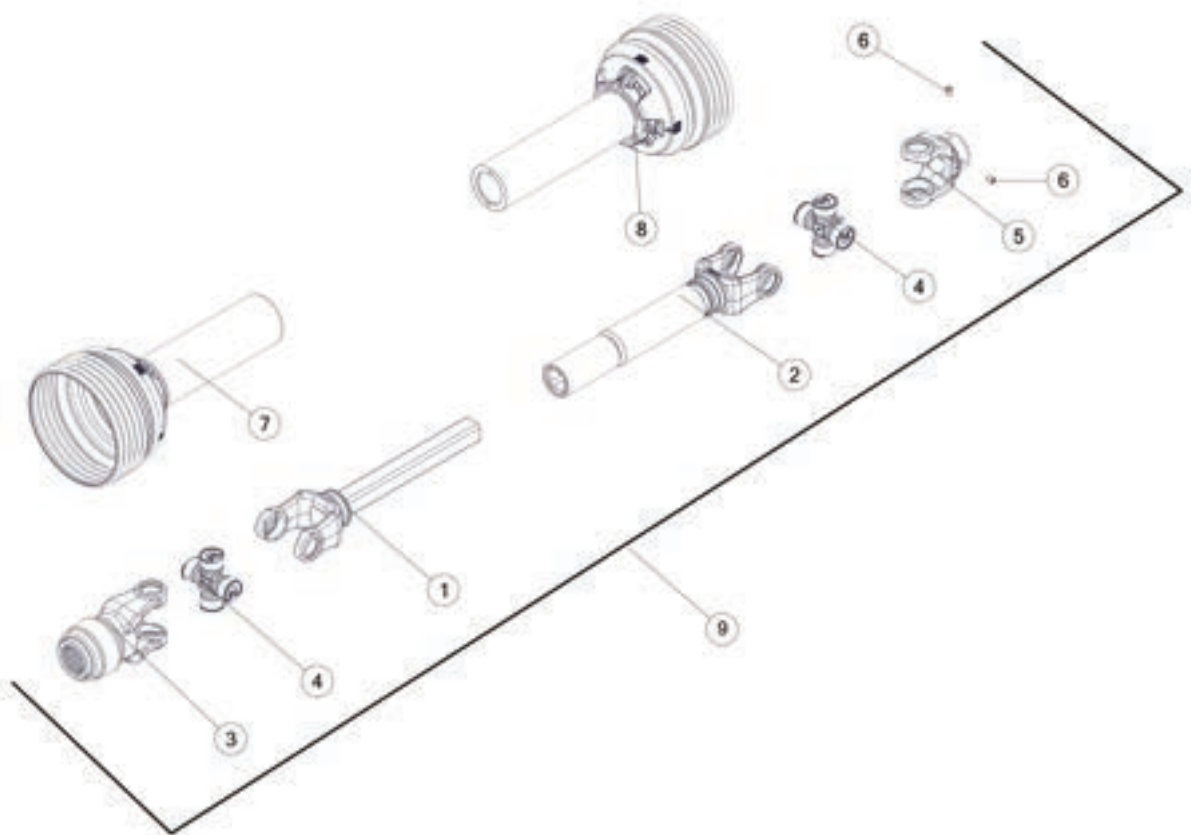
**FIGURE 1**  
**UFO1034LPTO**  
**PTO 1-3/4 1000 RPM LONG**



REF #	PART #	DESCRIPTION	QTY
1	91876	YOKE 35 SHAFT, FRONT	1
2	79781	YOKE, TUBE, SLIP SLEEVE	1
3	55N69	ASSY, YOKE, 35, SLIDE LOCK	1
4	79325	YOKE, 1-1/4 X 5/16	1
5	16SV179	ASSY, CROSS KIT, 35R	2
6	YSKP12025	SET SCRW, SCKE, KNURL CUP PT, 3/8-16 X 3/8	2
7	91877	PTO OUTER GUARD	1
8	79780	PTO INNER GUARD	1
9	91888	COMPLETE PTO, 1-3/4 1000 RPM	1

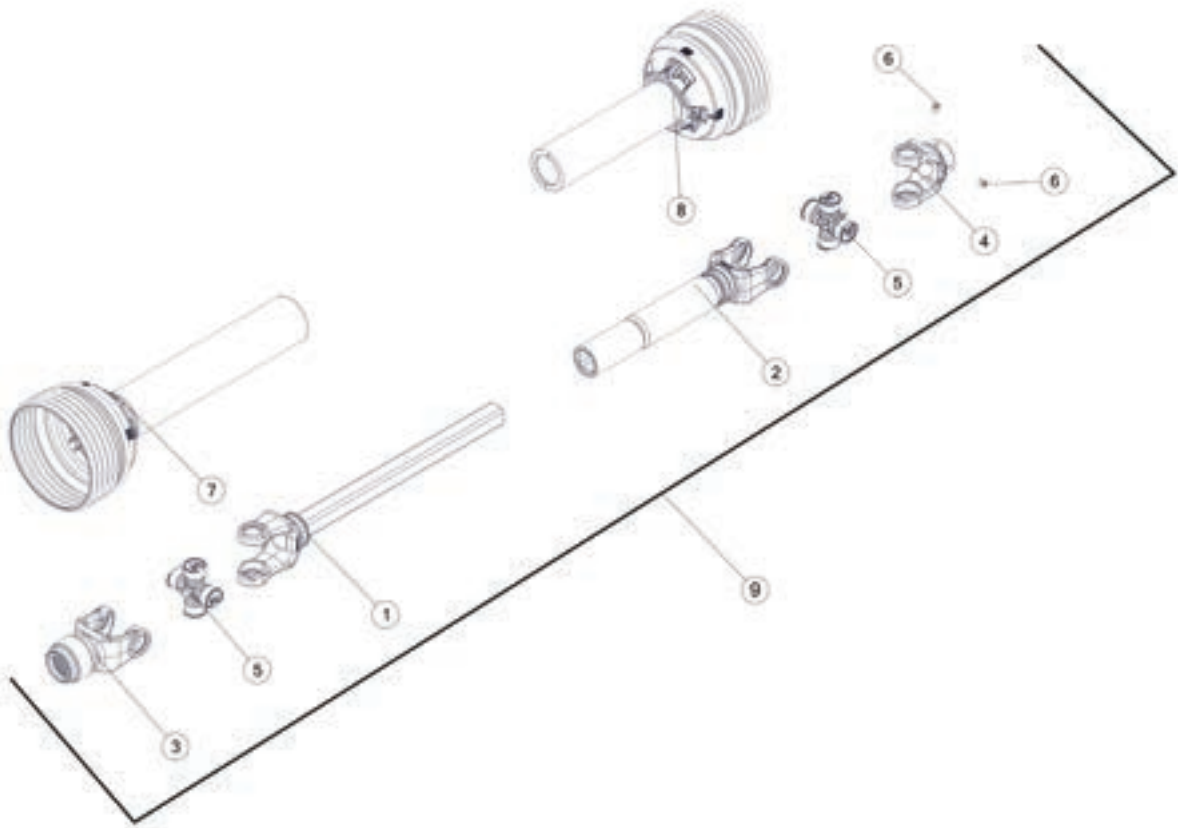


**FIGURE 2**  
**UFO1034PTO**  
**PTO 1-3/4 1000 RPM STANDARD**



REF #	PART #	DESCRIPTION	QTY
1	79321	YOKE, SHAFT, FRONT	1
2	79322	YOKE, TUBE, SLIP SLEEVE	1
3	55N69	ASSY, YOKE, 35, SLIDE LOCK	1
4	16SV179	ASSY, CROSS KIT, 35R	2
5	79325	YOKE, 1-1/4 X 5/16	1
6	YSKP12025	SET SCRW, SCKT, KNURL CUP PT, 3/8-16 X 3/8	2
7	79326	PTO OUTER GAURD	1
8	79327	PTO INNER GUARD	1
9	79312	PTO, 1000, 1 3/4-20	1



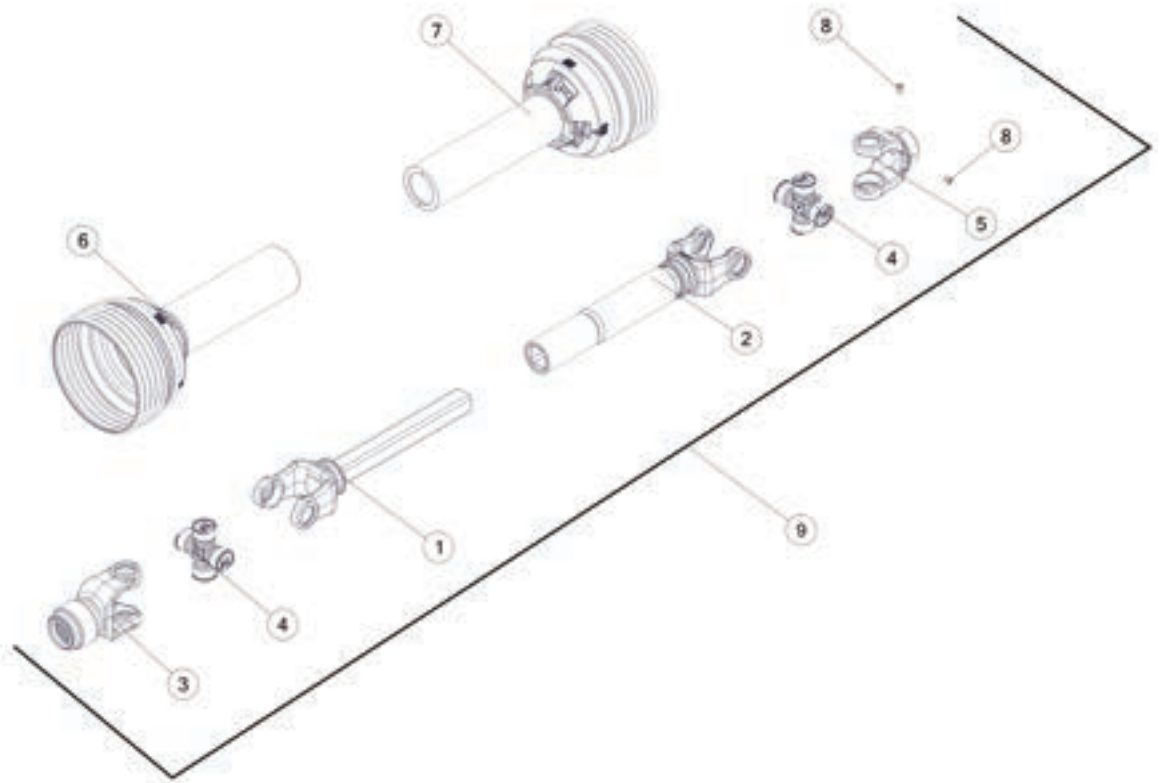


REF #	PART #	DESCRIPTION	QTY
1	91876	YOKE 35 SHAFT, FRONT	1
2	79781	YOKE, TUBE, SLIP SLEEVE	1
3	55N68	ASSY, YOKE, 35, SLIDE LOCK	1
4	79325	YOKE, 1-1/4 X 5/16	1
5	16SV179	ASSY, CROSS KIT, 35R	2
6	YSKP12025	SET SCRW, SCKT, KNURL CUP PT, 3/8-16 X 3/8	2
7	91877	PTO OUTER GUARD	1
8	79780	PTO INNER GUARD	1
9	91879	COMPLETE PTO, 1-3/8 1000 RPM	1





**FIGURE 4**  
**UFO1038PTO**  
**PTO 1-3/8 1000 RPM STANDARD**

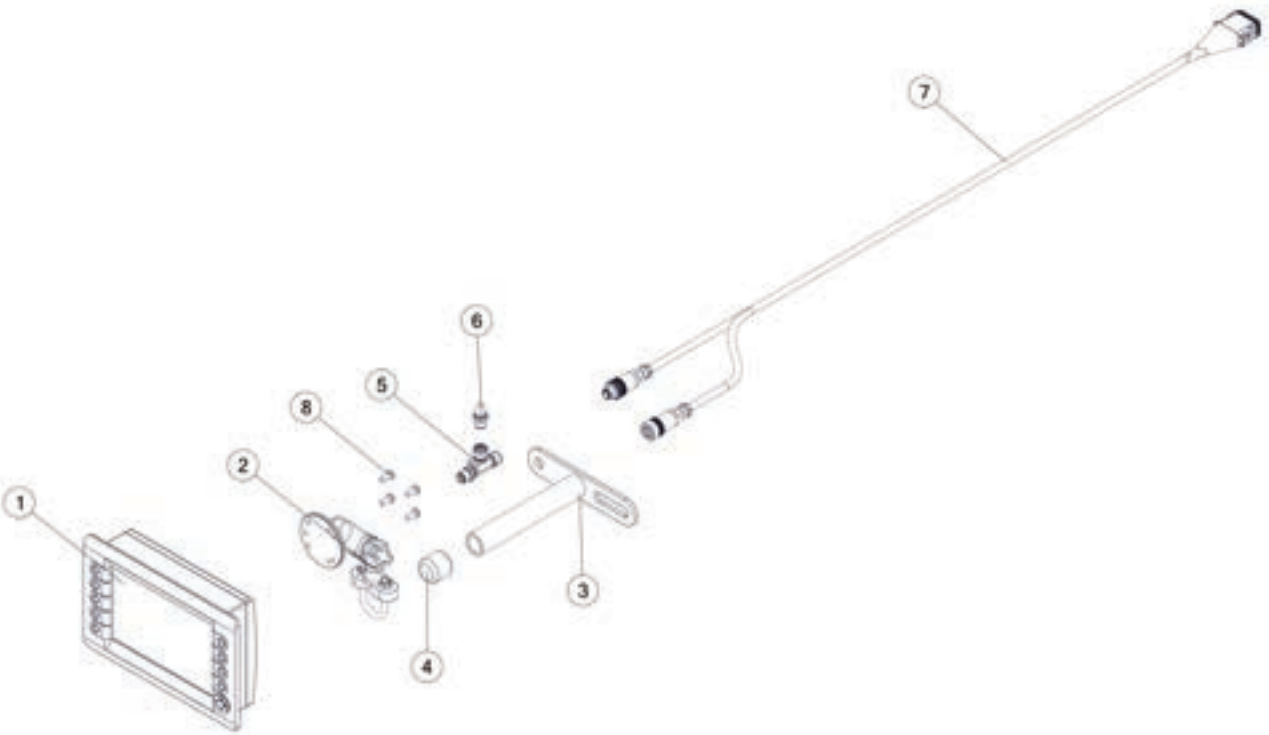


REF #	PART #	DESCRIPTION	QTY
1	79779	YOKE, SHAFT, FRONT	1
2	79781	YOKE, TUBE, SLIP SLEEVE	1
3	55N68	ASSY, YOKE, 35, SLIDE LOCK	1
4	16SV179	ASSY, CROSS KIT, 35R	2
5	79325	YOKE, 1-1/4 X 5/16	1
6	79778	PTO OUTER GAURD	1
7	79780	PTO INNER GUARD	1
8	YSKP12025	SET SCRW, SCKT, KNUURL CUP PT, 3/8-16 X 3/8	2
9	79311	PTO, 1000, 1 3/8-21	1





**FIGURE 5**  
OPTIONAL IN CAB DISPLAY  
(TFOICC)











Manufactured By:

**H&S MANUFACTURING CO., INC.**

2608 S. HUME AVE. MARSHFIELD, WI 54449

(715) 387-3414 | [hsmfgco.com](http://hsmfgco.com)

