



PARTS BOOK

**UF6136
MERGER**

**Part #94538
Rev.07
HSMFG123024**

Starting Ser. # 521UF36001

FIGURE #	CONTENTS	PAGE #
*	INSTRUCTIONS FOR ORDERING PARTS	1
1	ROTARY SENSOR & COMPONENTS	2-3
2	HITCH & COMPONENTS	4-5
3	FRONT POLE & COMPONENTS	6-7
4	FILTER & COMPONENTS	8-9
5	AXLE & COMPONENTS	10-13
6	RIGHT PIVOT ARM & COMPONENTS	14-15
7	LEFT PIVOT ARM & COMPONENTS	16-17
8	RIGHT LIFT ARM & COMPONENTS	18-19
9	LEFT LIFT ARM & COMPONENTS	20-21
10	HYDRAULIC PUMP & COMPONENTS	22-25
11	HYDRAULICS & COMPONENTS	26-27
12	HYDRAULICS & COMPONENTS	28-29
13	ACCUMULATOR & COMPONENTS	30-31
14	STEERING HYDRAULICS & COMPONENTS	32-33
15	MAIN HEAD MANIFOLD & COMPONENTS	34-35
15A	CENTER HEAD MANIFOLD & COMPONENTS	36-37
16	STEERING MANIFOLD & COMPONENTS	38-39
17	BELT CONTROL MANIFOLD & COMPONENTS	40-41
18	LEFT HEAD HYDRAULICS & COMPONENTS	42-45
19	CENTER HEAD HYDRAULICS & COMPONENTS	46-49
20	RIGHT HEAD HYDRAULICS & COMPONENTS	50-53
21	HYDRAULICS CYLINDER & COMPONENTS	54-55
22	LIGHTS & COMPONENTS	56-57
23	FUSE BLOCKS	58
24	FRONT ISO HARNES	59-60
25	WIRING HARNESS	61
	HEADS	62
1	END CAPS & COMPONENTS	63
2	REEL & COMPONENTS	64
3	TINE BARS & COMPONENTS	65
4	GEARBOX ASSEMBLY	66-67
5	ROLLER ASSEMBLY & COMPONENTS	68-69
6	BELT PAN & COMPONENTS	70-71
7	SKID SHOES & COMPONENTS	72-73
8	BELTS & COMPONENTS	74-75
9	LEFT DEFLECTOR & COMPONENTS	76
10	CENTER DEFLECTOR & COMPONENTS	77
11	RIGHT DEFLECTOR & COMPONENTS	78
12	HEAD CYLINDER MOUNT & COMPONENTS	79
13	LEFT & RIGHT MOUNT & COMPONENTS	80



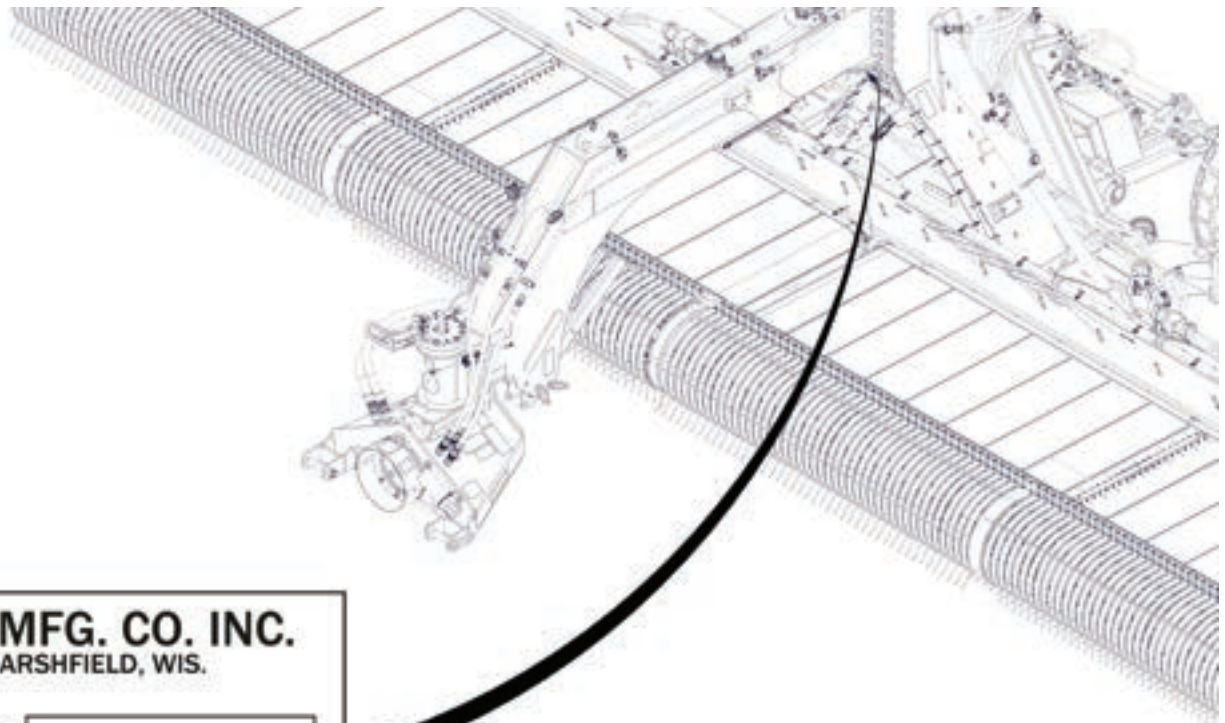
INSTRUCTIONS FOR ORDERING PARTS

All service parts should be ordered through your authorized H&S dealer. Your Dealership will be able to give you faster service if you will provide them with the following:

1. All references to left or right apply to the machine as viewed from the rear.
2. Parts should not be ordered from illustration only. Please order complete part number.
3. If your dealer has to order parts - give shipping instructions:

VIA truck - large pieces (please specify local truck lines)

VIA United Parcel Service (include full address)



H&S MFG. CO. INC. MARSHFIELD, WIS.	
MOD. NO.	<input type="text"/>
SER. NO.	<input type="text"/>
DESCR.	<input type="text"/>

PLEASE RECORD NUMBERS FOR YOUR UNIT FOR QUICK REFERENCE

H&S IS CONTINUALLY STRIVING TO IMPROVE ITS PRODUCTS

We must, therefore, reserve the right to make improvements or changes whenever it becomes practical to do so, without incurring any obligation to make changes or additions to the equipment previously sold.



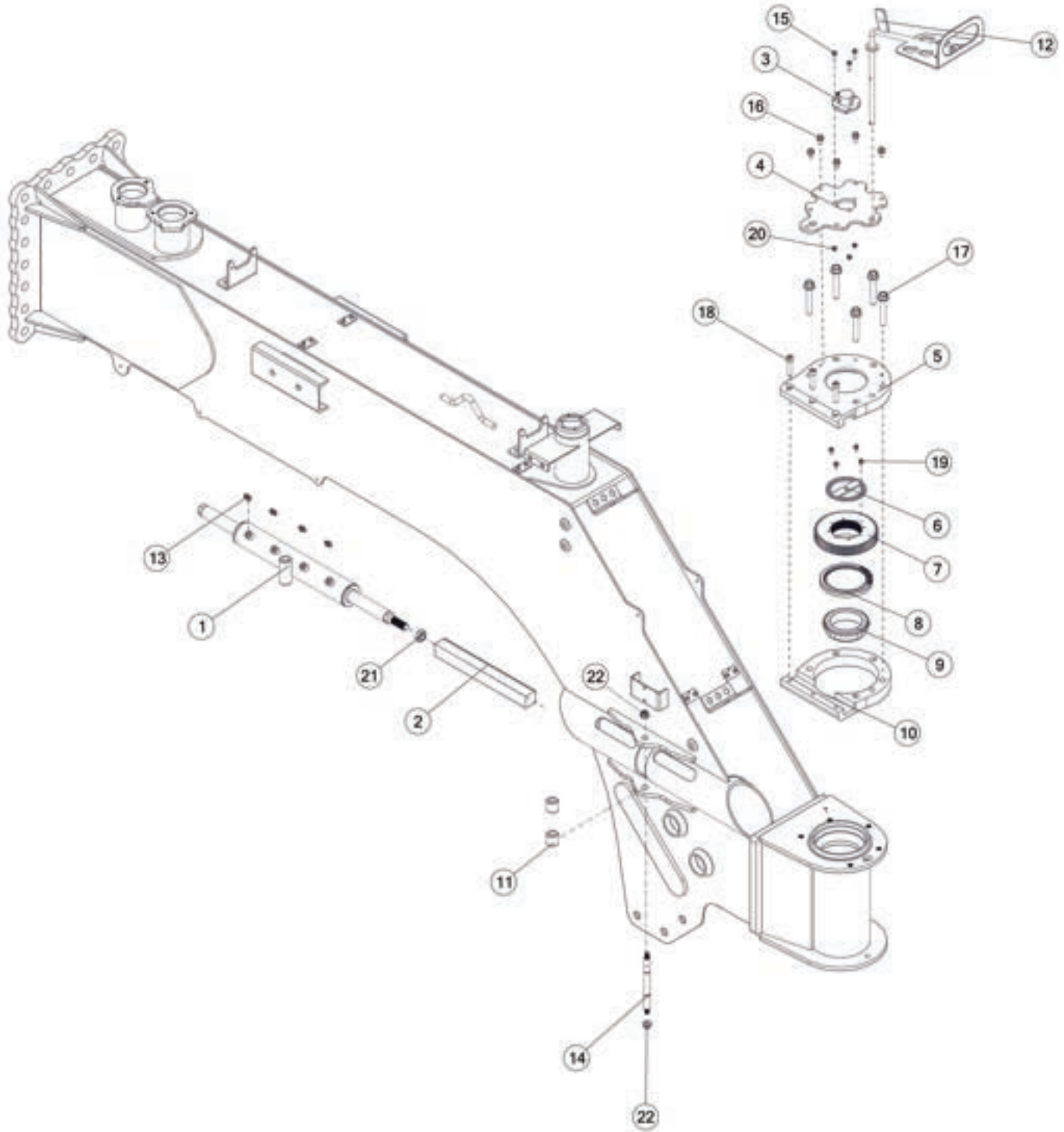




FIGURE 2
HITCH & COMPONENTS

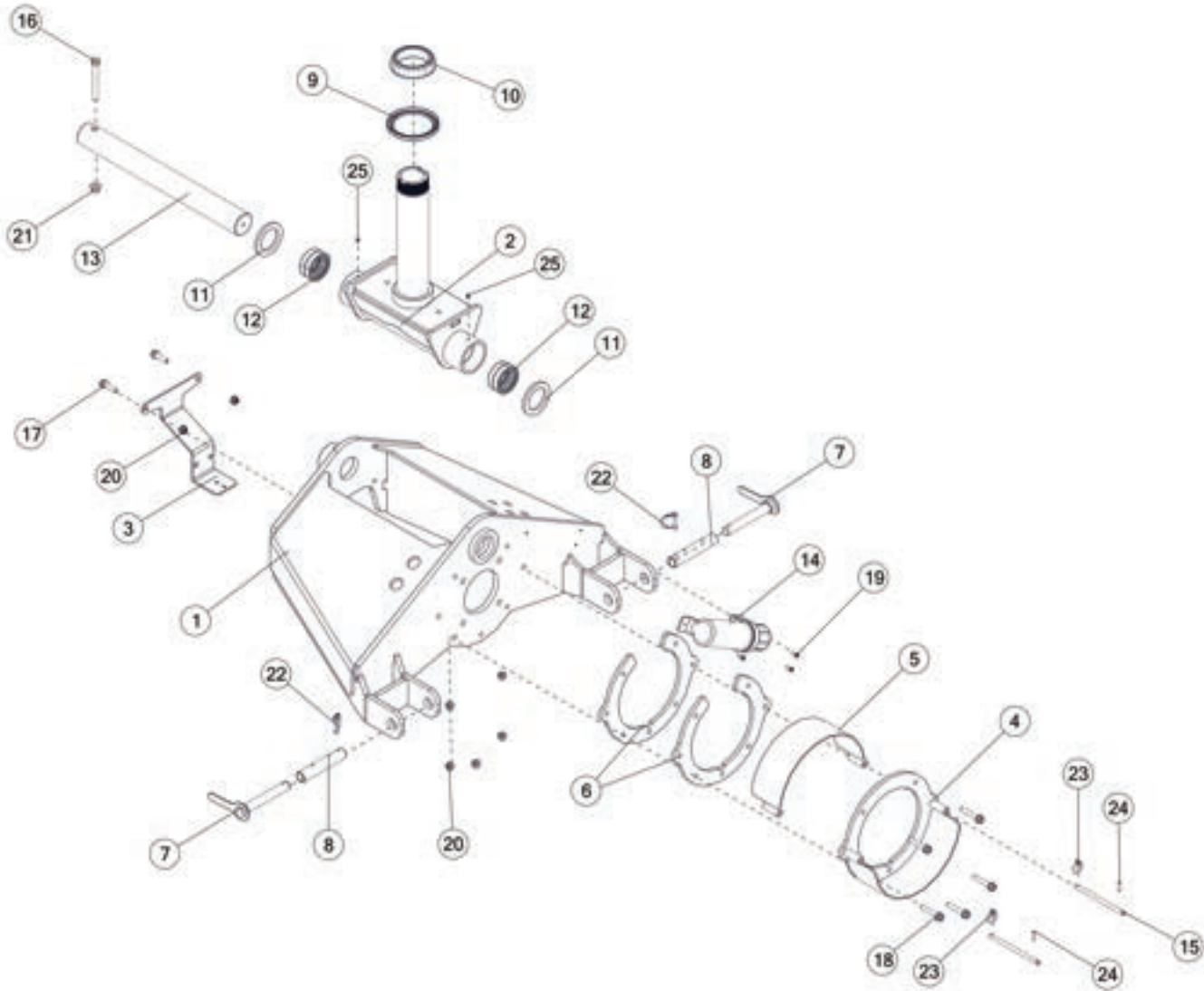




FIGURE 3
FRONT POLE & COMPONENTS

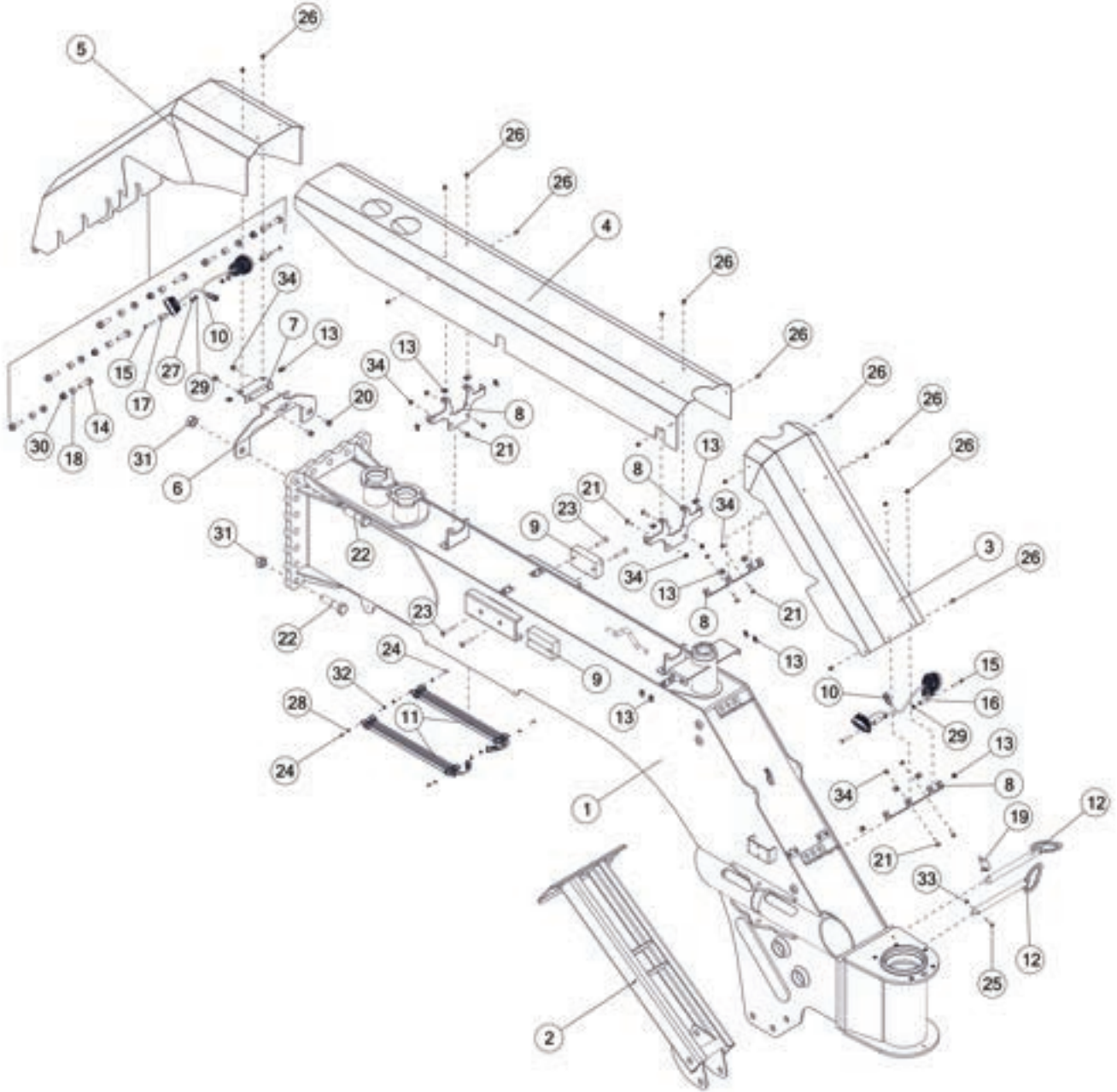




FIGURE 3

FRONT POLE & COMPONENTS

REF #	PART #	DESCRIPTION	QTY
1	91820	POLE WELDMENT	1
2	79174	JACK STAND	1
3	HS101366	COVER	1
4	HS101248	TOP COVER	1
5	HS101798	BACK COVER	1
6	HS101835	MID PLATE MOUNT	1
7	HS101841	COVER BRACKET	1
8	HS101245	COVER BRACKET	4
9	61076	POLY SPACER FOR UPPER BUMPER	2
10	HS101920	LIGHT ASSEMBLY	2
11	HS101888	WORK LIGHT ASSEMBLY	1
12	79180	JACK STAND LOCK PIN	2
13	77738	U NUT, 1/4-20, .15 X .53	18
14	YBFB16200	BOLT FLG, 1/2 X 2 G5	8
15	YBHH0804	BOLT, 1/4	4
16	HS101254	SPACER	2
17	HS101833	SPACER	2
18	HS101855	SPACER	8
19	DWM324	SNAPPER PIN	1
20	YBFB12003	BOLT FLG, 3/8 X 1 G5	2
21	YBFB10001	BOLT FLG, 5/16 X 1 G5	8
22	YBHH32018	BOLT, 1"-8 X 4"RG.8 YELLOW ZINC SAE J429	2
23	YSFS12225	BOLT FLAT SOK, 3/8-16 X 2-1/4,ZC	4
24	YSPN64005	MACHINE PPHS, #10-24 X 5/8 ZINC	4
25	YBHH08035	BOLT, 1/4-20 X 1-1/4 GR 5	1
26	YBFB08005	BOLT FLG, 1/4 X 1/2 G5	18
27	YWFL08005	WASHER, FLAT, 1/4 USS	2
28	YWFL64005	WASHER, FLAT, STAINLESS STEEL, 1/-8 #10 USS	4
29	YNFG08010	NUT FLG, 1/4 GF	4
30	YNFG16003	NUT FLG, 1/2 GF	8
31	YNTL32005	NUT, HEX, 1-8, LKTL, C, ZC	2
32	YNNY64005	NUT, HEX, #10-24, LKNY, G2, ZC	4
33	YNRL08005	NUT, HEX, 1/4-20, LKRS, A, ZC	1
34	YNFG10005	NUT FLG, 5/16	8





FIGURE 4 FILTER & COMPONENTS

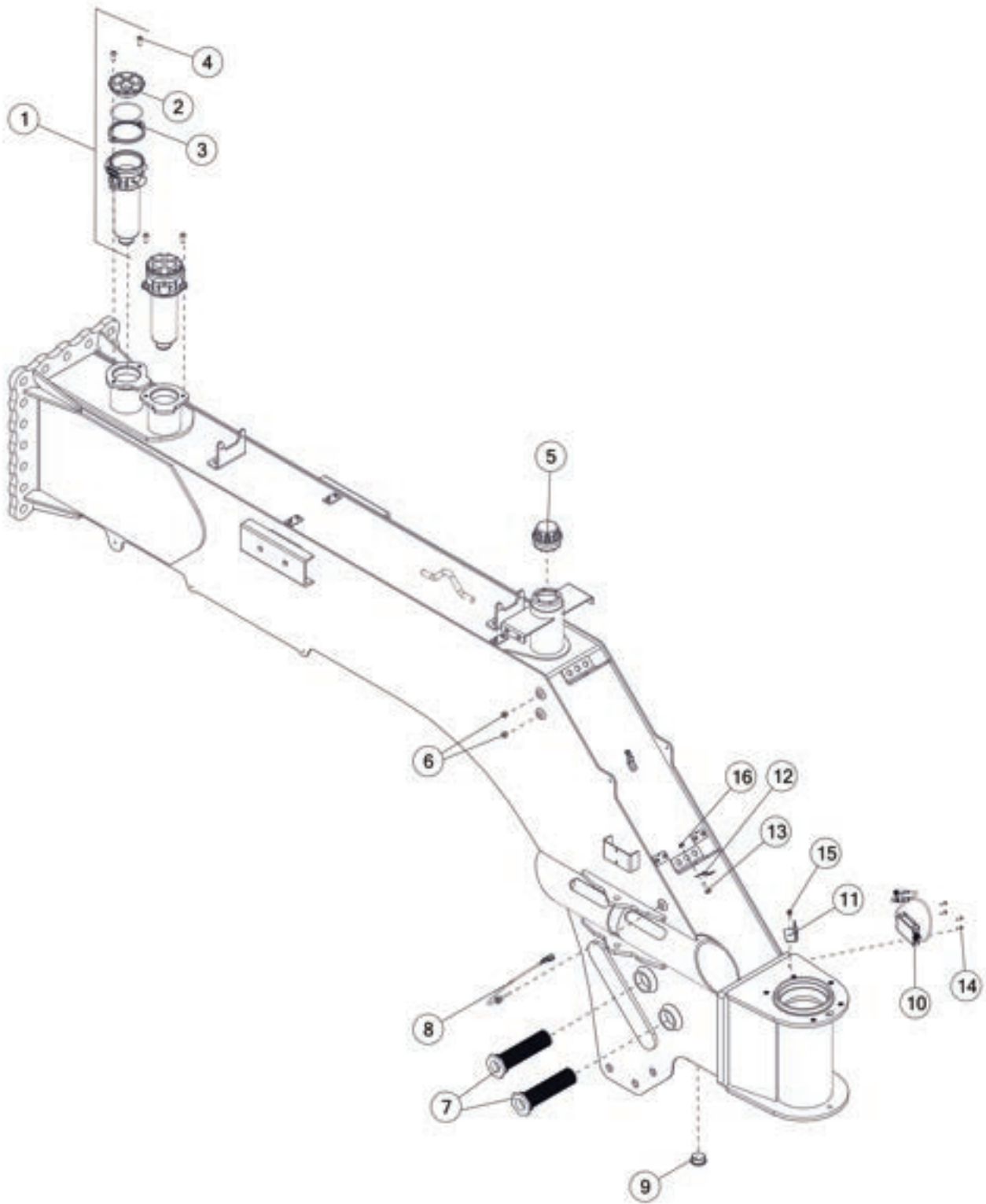




FIGURE 5

AXLE COMPONENTS

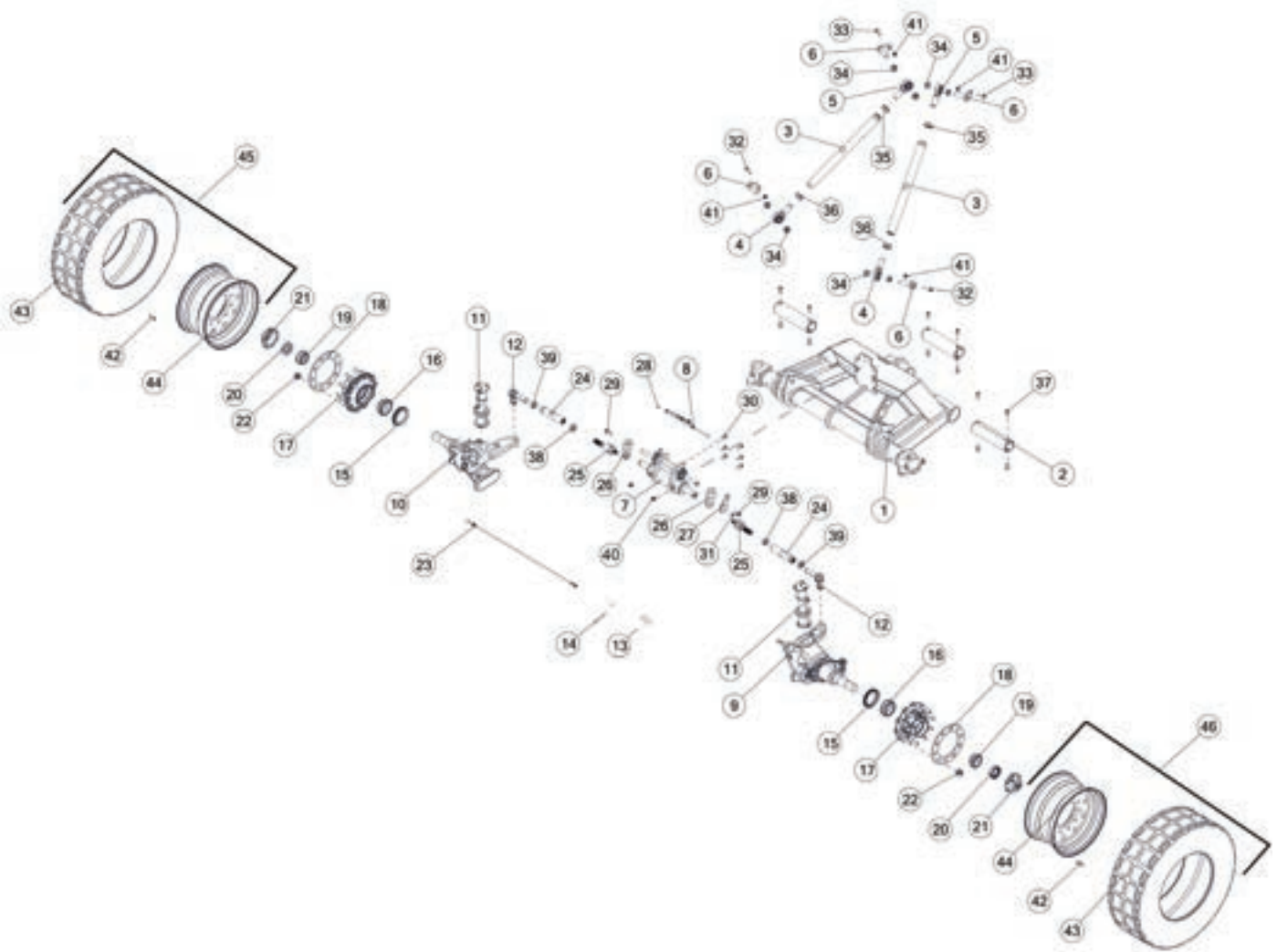




FIGURE 5

AXLE COMPONENTS

REF #	PART #	DESCRIPTION	QTY
1	95101B	AXLE WELDMENT	1
2	95208	AXLE SPINDLE	3
3	94617	STRUT ROD	2
4	TFM70	ROD END	2
5	79466	ROD END, LH	2
6	95265	AXLE PIN	4
7	92660	HYDRAULIC CYLINDER	1
*	56187	SEAL KIT	1
8	95139	POSITION SENSOR	1
*	89749	HEAD HIGHT SENSOR	1
9	97813B	KNUCKLE WELDMENT	1
10	97798B	KNUCKLE WELDMENT	1
11	97800	KINGPIN	2
12	91513	BALL JOINT, LH THREAD	2
13	HS101647	PROX ARBOR	1
14	97951	CLAMPING BUSHING	1
15	97808	SEAL	2
16	97804	BEARING	2
17	97810	WHEEL HUB	2
18	97806	WHEEL SPACER	2
19	97805	BEARING	2
20	97801	SPINDLE NUT	2
21	97809	DUST CAP	2
22	97807	LUG NUT	20
23	HS101823	WHEEL SENSOR	1
24	94614	TIE ROD	2
25	91164	BALL COUPLER	2
26	92455	CONNECTOR PLATE	2
27	95272	MOUNT	1
28	YBHH71008	BOLT, HEX, M5-0.8 X 12, ZC	1
29	YBFB20150	BOLT FLANGE, 5/8 X 1-1/2 G5	2
30	YBFB16125	BOLT FLANGE, 1/2 X 1-1/4 G5	6
31	YBFB12003	BOLT FLANGE, 3/8 X 1 G5	1
32	YBFB16225	BOLT FLANGE, 1/2 X 2-1/4 G5	2
33	YBFB16200	BOLT FLANGE, 1/2 X 2 G5	2
34	79149	MISSALIGNMENT SPACER	8
35	YNJM40006	NUT JAM, 1-1/2 G5, LH	2



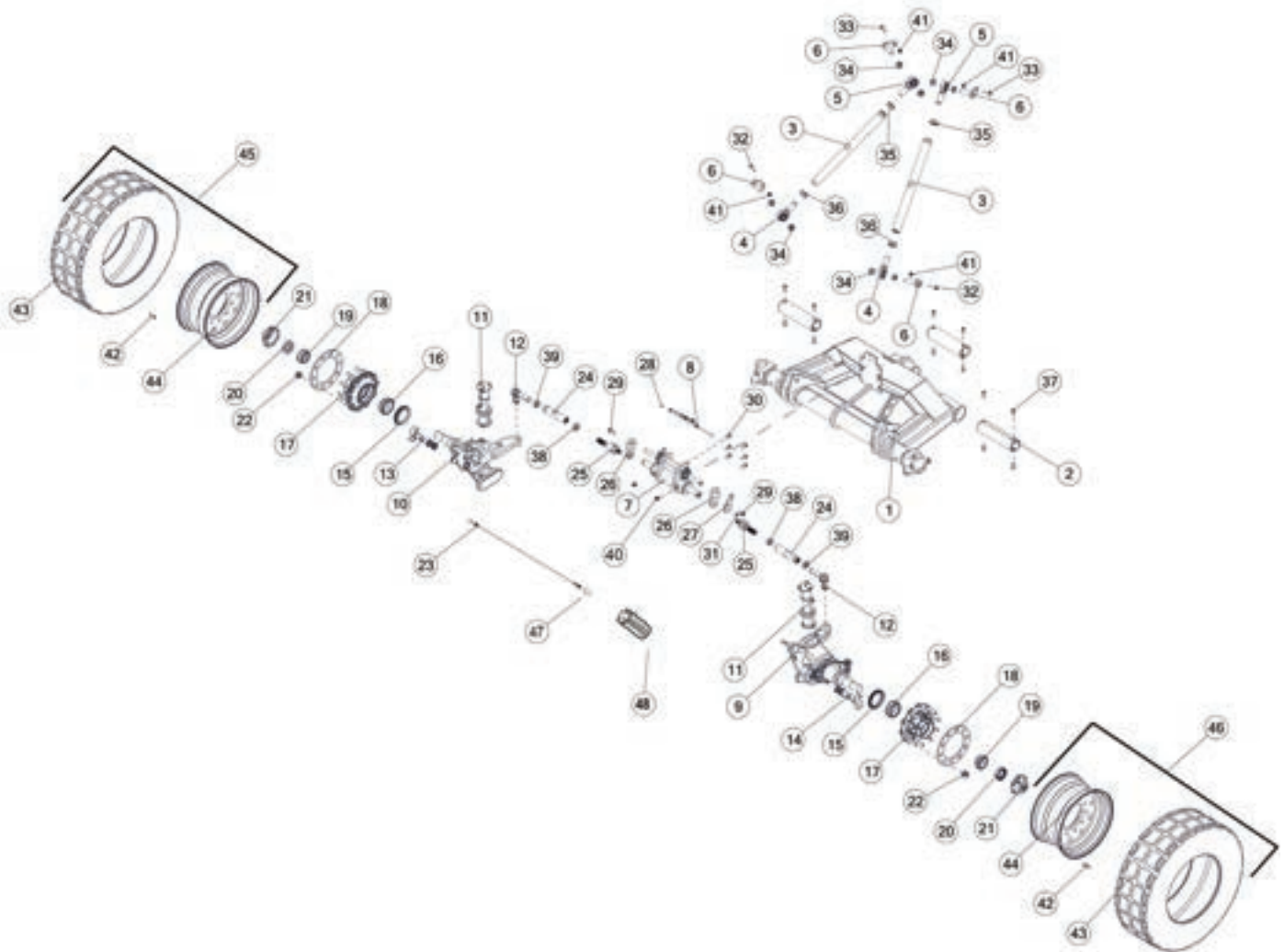




FIGURE 6

RIGHT PIVOT ARM & COMPONENTS

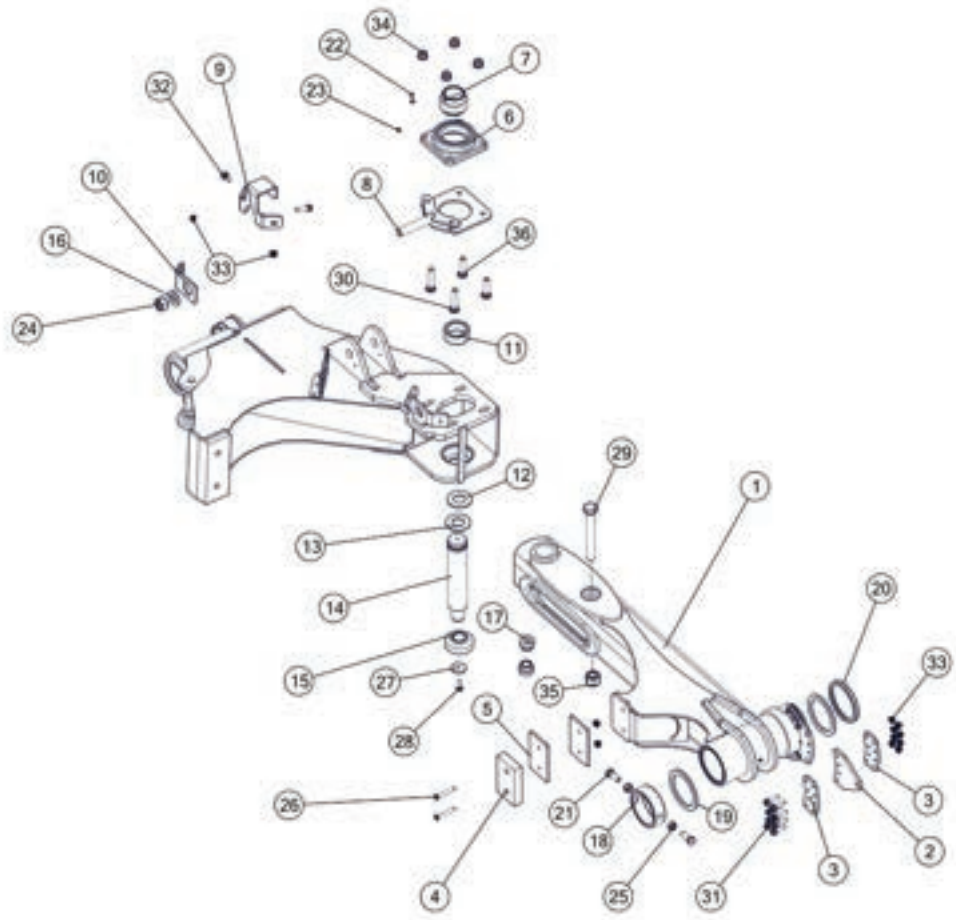




FIGURE 6

RIGHT PIVOT ARM & COMPONENTS

REF #	PART #	DESCRIPTION	QTY
1	HS103082	PIVOT ARM	1
2	HS101692	ROTOR PLATE	1
3	HS101693	BRACKET	2
4	61077	POLY BUMPER	1
5	95300	BUMPER SPACER	2
6	1091	PITCH ADJUSTMENT BEARING	1
7	TFM54	UPPER BEARING	1
8	92698	TAKE UP BRACKET	1
9	98386	HOSE HOLDER	1
10	92295	LOCK BRACKET	1
11	92459	FOLD THRUST BUSHING	1
12	PTM3G75	PIN THRUST WASHER	1
13	PTMMS57	PIN THRUST WASHER BRONZE	1
14	92288	PIVOT PIN	1
15	TFM99	PITCH ROD BALL 2.00 DIA. PIN	1
16	PTM3G83	PITCH THRUST WASHER	1
17	92262	SPACER, ROD END	2
18	HS103186	HEAD LOCKING COLLAR	1
19	HS103187	HEAD THRUST WASHER	2
20	HS103189	HEAD PIVOT BUSHING	1
21	YBHH24015	BOLT, 3/4 X 2 GR 5	2
22	YSKP16050	SET SCREW, SOCKET	2
23	BFR28	1/8" NPT GREASE ZERK	1
24	YNHX36005	NUT, HEX, 1-1/4-12, NA, 5, ZC	1
25	YNL24005	NUT, HEX, 3/4-10, LKTL, C, ZC	2
26	YSFS16055	BOLT,FLAT SOK,1/2-13X3-1/2,BO	2
27	PTM3G42	PIVOT THRUST WASHER	1
28	YBFB16100	BOLT FLG, 1/2 X 1 G5	1
29	YBHH40100	BOLT, 1-1/4 X 10, G8	1
30	YBCR24004	BOLT, CARR, 3/4-10 X 3-1/4, GR5, ZC	2
31	YBFB16200	BOLT FLG, 1/2 X 2 G5	9
32	YBFB16150	BOLT FLG, 1/2 X 1-1/2 G5	1
33	YNFG16003	NUT FLG, 1/2 GF	12
34	YNFG24006	NUT, FLG, 3/4-10, LKTL, G, ZC	4
35	YNNY40005	NUT, HEX, 1 1/4-7, LKNY, G8, YZ	1
36	YBCR24010	BOLT, CARR, 3/4-10 X 4	2





FIGURE 7

LEFT PIVOT ARM & COMPONENTS

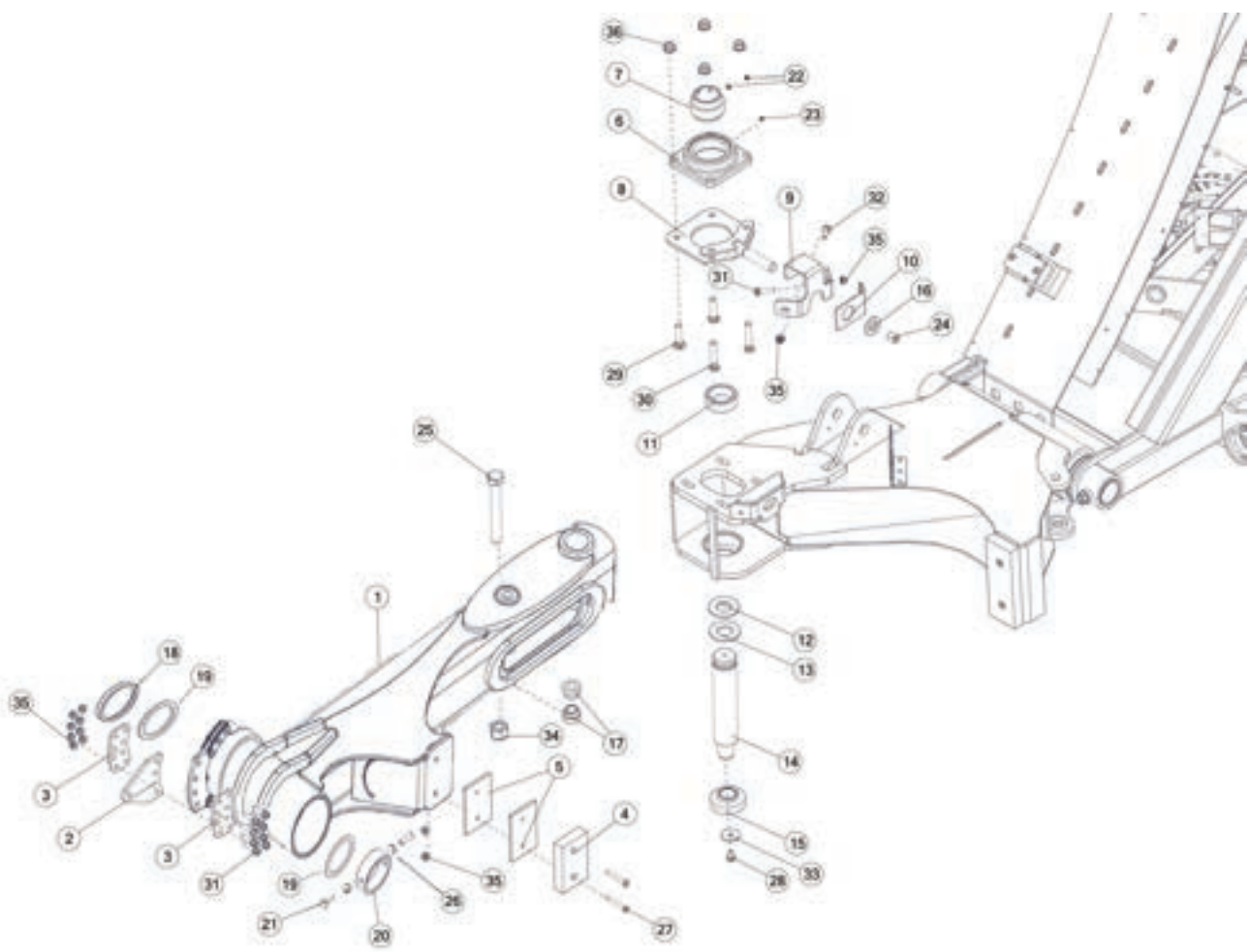




FIGURE 7

LEFT PIVOT ARM & COMPONENTS

REF #	PART #	DESCRIPTION	QTY
1	HS103082	PIVOT ARM	1
2	HS101692	ROTOR PLATE	1
3	HS101693	BRACKET	2
4	61077	POLY BUMPER	1
5	95300	BUMPER SPACER	2
6	1091	PITCH ADJUSTMENT BEARING	1
7	TFM54	UPPER BEARING	1
8	92698	TAKE UP BRACKET	1
9	98386	HOSE HOLDER	1
10	92295	LOCK BRACKET	1
11	92459	FOLD THRUST BUSHING	1
12	PTMMS57	PIN THRUST WASHER BRONZE	1
13	PTM3G75	PIN THRUST WASHER	1
14	92288	PIVOT PIN	1
15	TFM99	PITCH ROD BALL 2.00 DIA. PIN	1
16	PTM3G83	PITCH THRUST WASHER	1
17	92262	SPACER, ROD END	2
18	HS103189	HEAD PIVOT BUSHING	1
19	HS103187	HEAD THRUST WASHER	2
20	HS103186	HEAD LOCKING COLLAR	1
21	YBHH24015	BOLT, 3/4 X 2 GR 5	2
22	YSKP16050	SET SCREW, SOCKET	2
23	BFR28	1/8" NPT GREASE ZERK	1
24	YNHX36005	NUT, HEX, 1-1/4-12, NA, 5, ZC	1
25	YBHH40100	BOLT, 1-1/4 X 10, G8	1
26	YNTL24005	NUT, HEX, 3/4-10, LKTL, C, ZC	2
27	YSFS16055	BOLT,FLAT SOK,1/2-13X3-1/2,BO	2
28	YBFB16100	BOLT FLG, 1/2 X 1 G5	1
29	YBCR24004	BOLT, CARR, 3/4-10 X 3-1/4, GR5, ZC	2
30	YBCR24010	BOLT, CARR, 3/4-10 X 4.00, GR5, ZC	2
31	YBFB16200	BOLT FLG, 1/2 X 2 G5	9
32	YBFB16150	BOLT FLG, 1/2 X 1-1/2 G5	1
33	PTM3G42	PIVOT THRUST WASHER	1
34	YNNY40005	NUT, HEX, 1 1/4-7, LKNY, G8, YZ	1
35	YNFG16003	NUT FLG, 1/2 GF	11
36	YNFG24006	NUT, FLG, 3/4-10, LKTL, G, ZC	4





FIGURE 8

RIGHT LIFT ARM & COMPONENTS

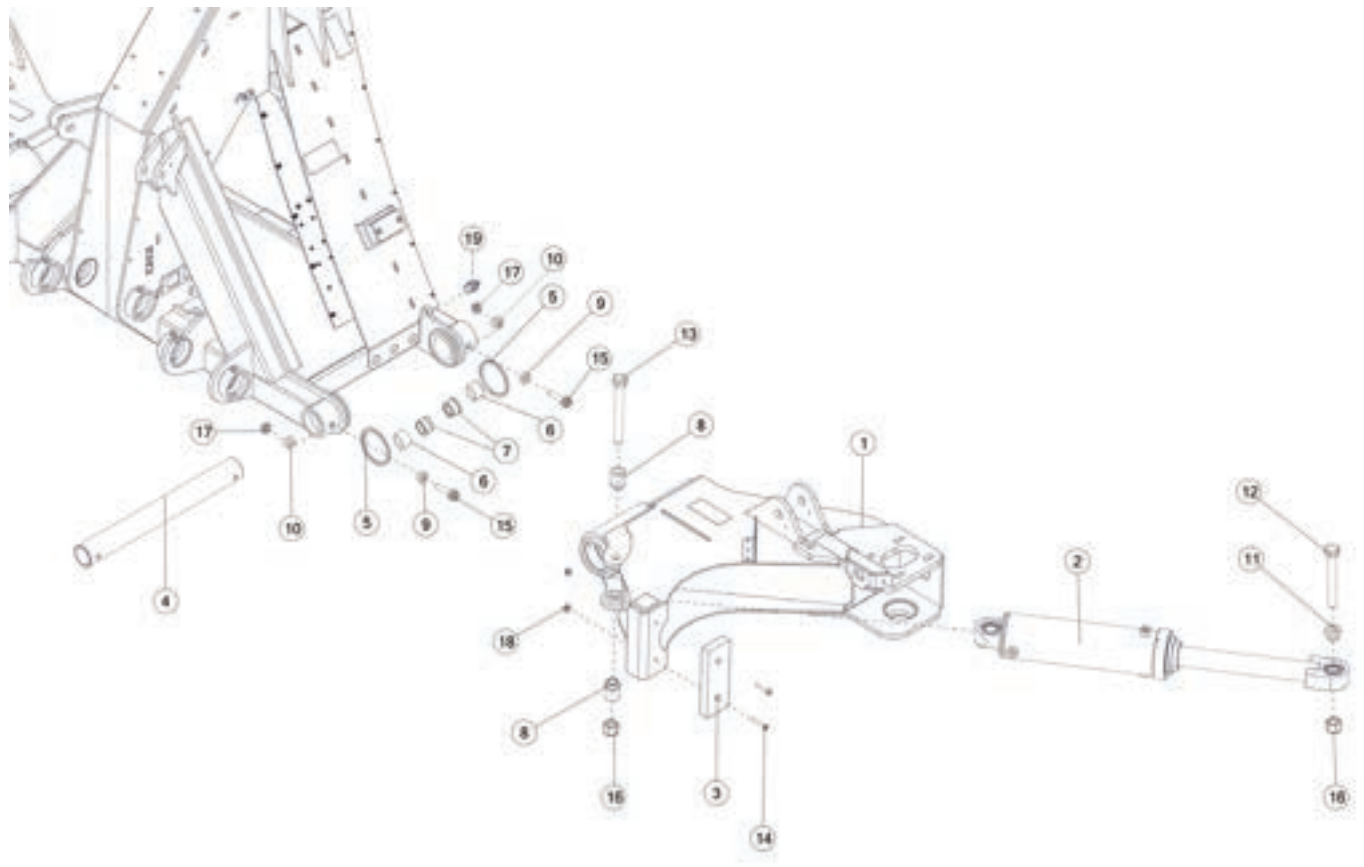




FIGURE 9

LEFT LIFT ARM & COMPONENTS

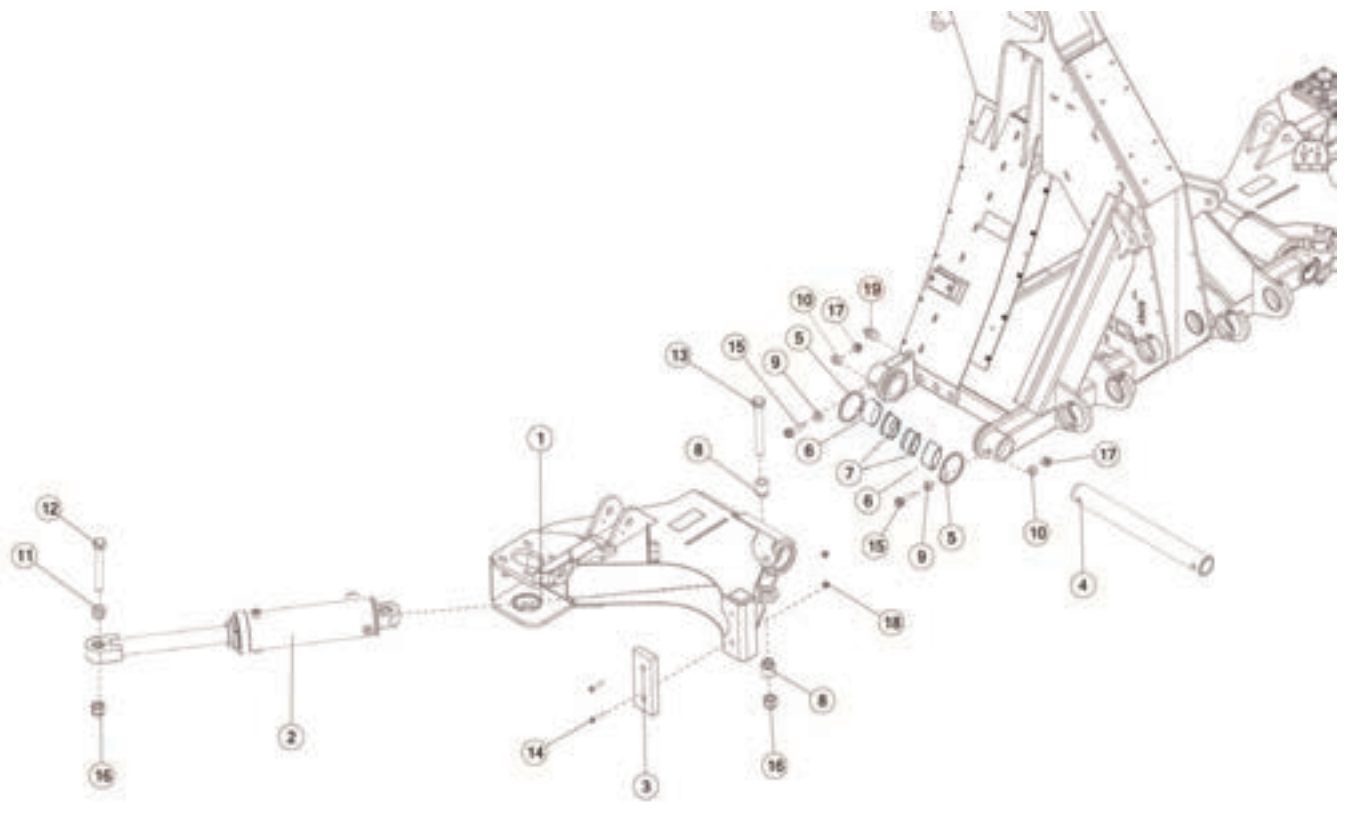




FIGURE 10

HYDRAULIC PUMP & COMPONENTS

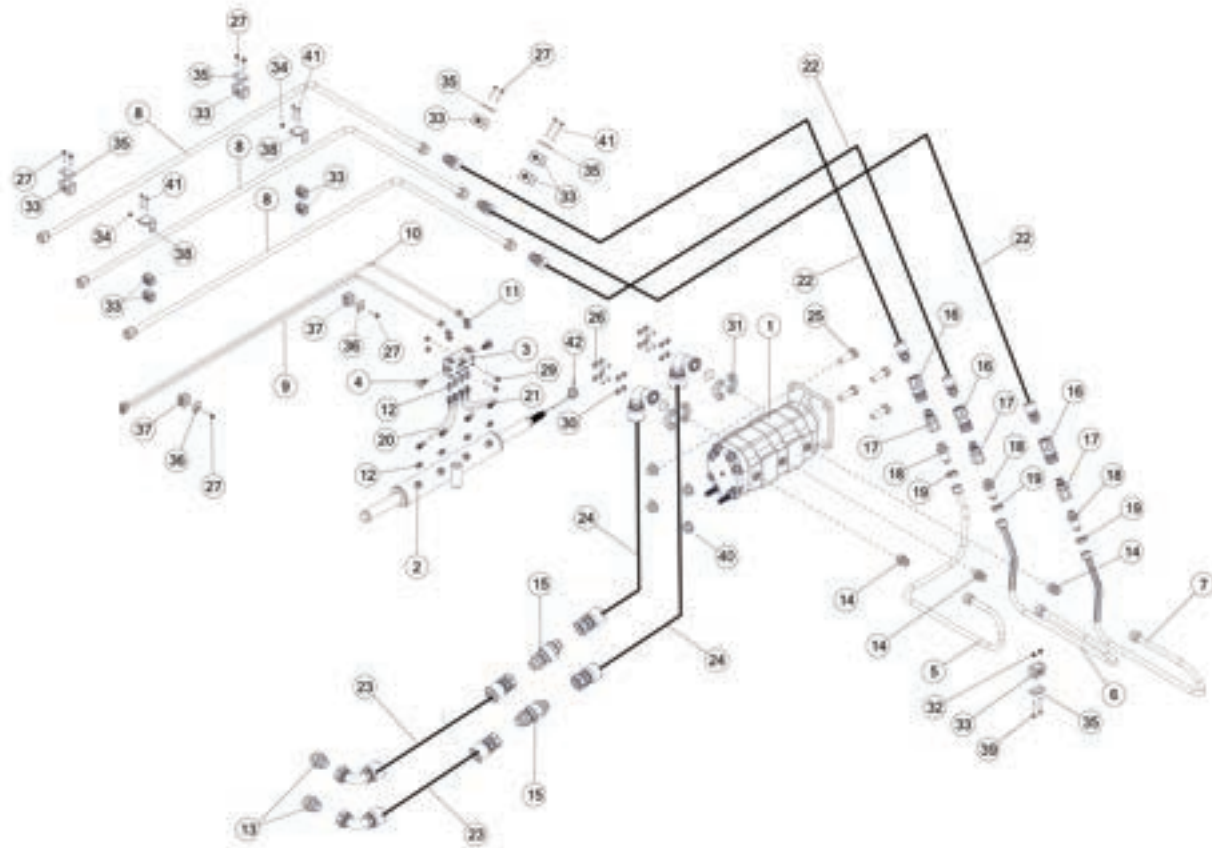




FIGURE 10

HYDRAULIC PUMP & COMPONENTS

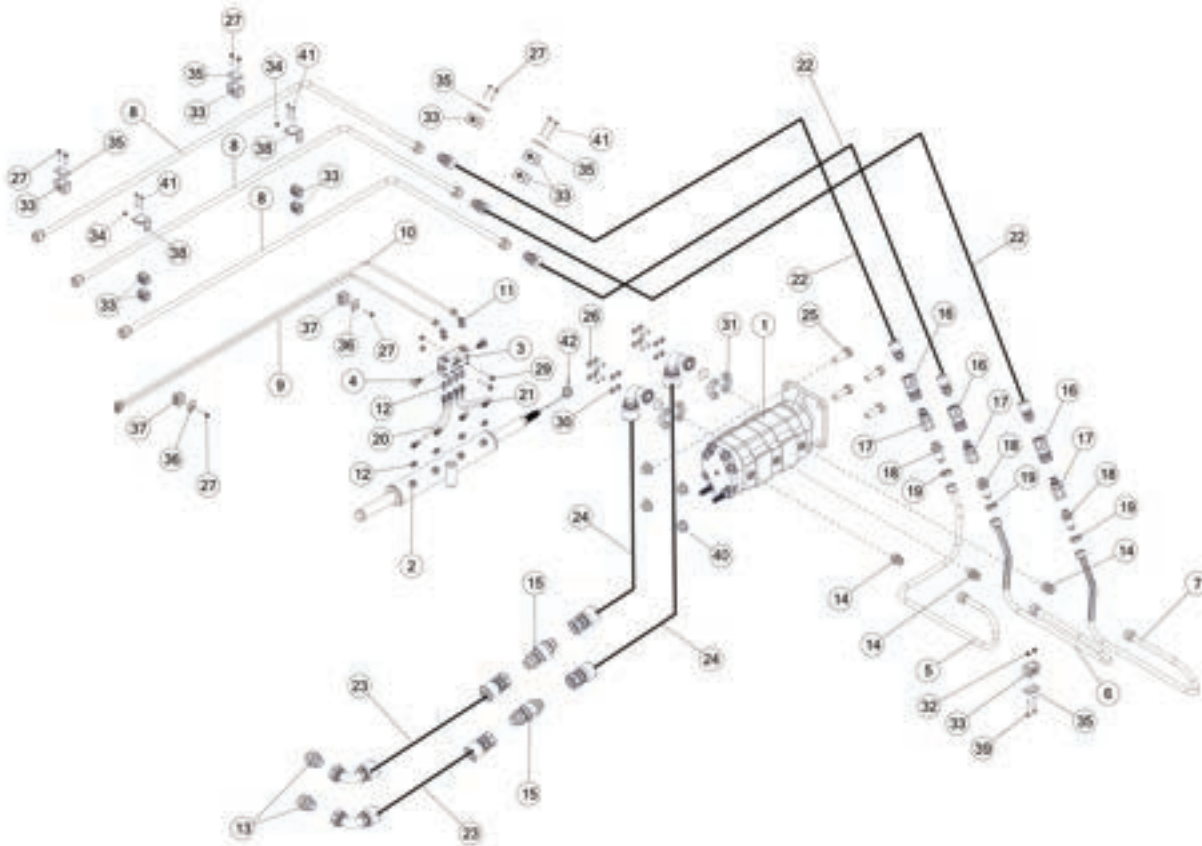




FIGURE 11

HYDRAULICS & COMPONENTS

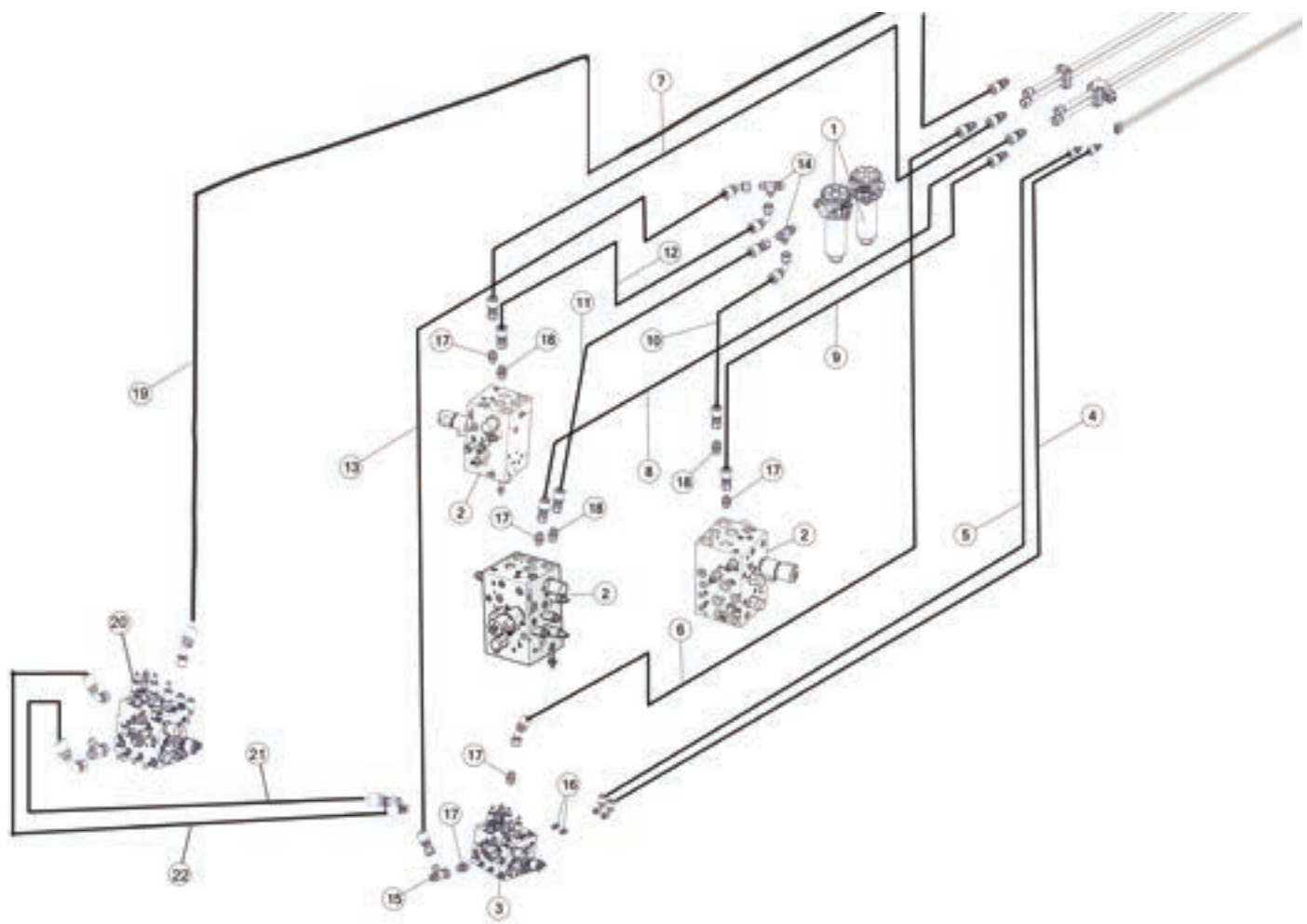
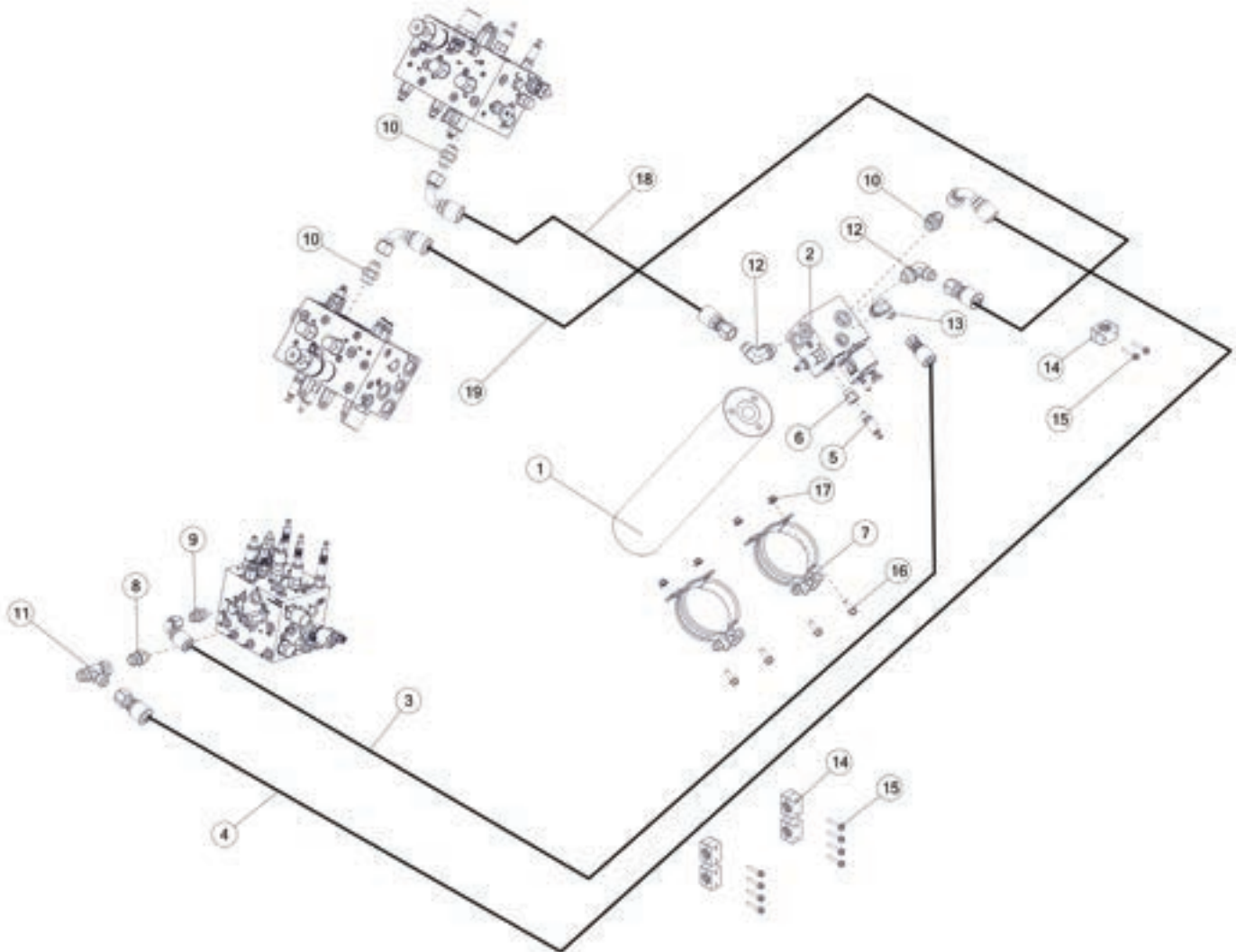




FIGURE 13

ACCUMULATOR & COMPONENTS



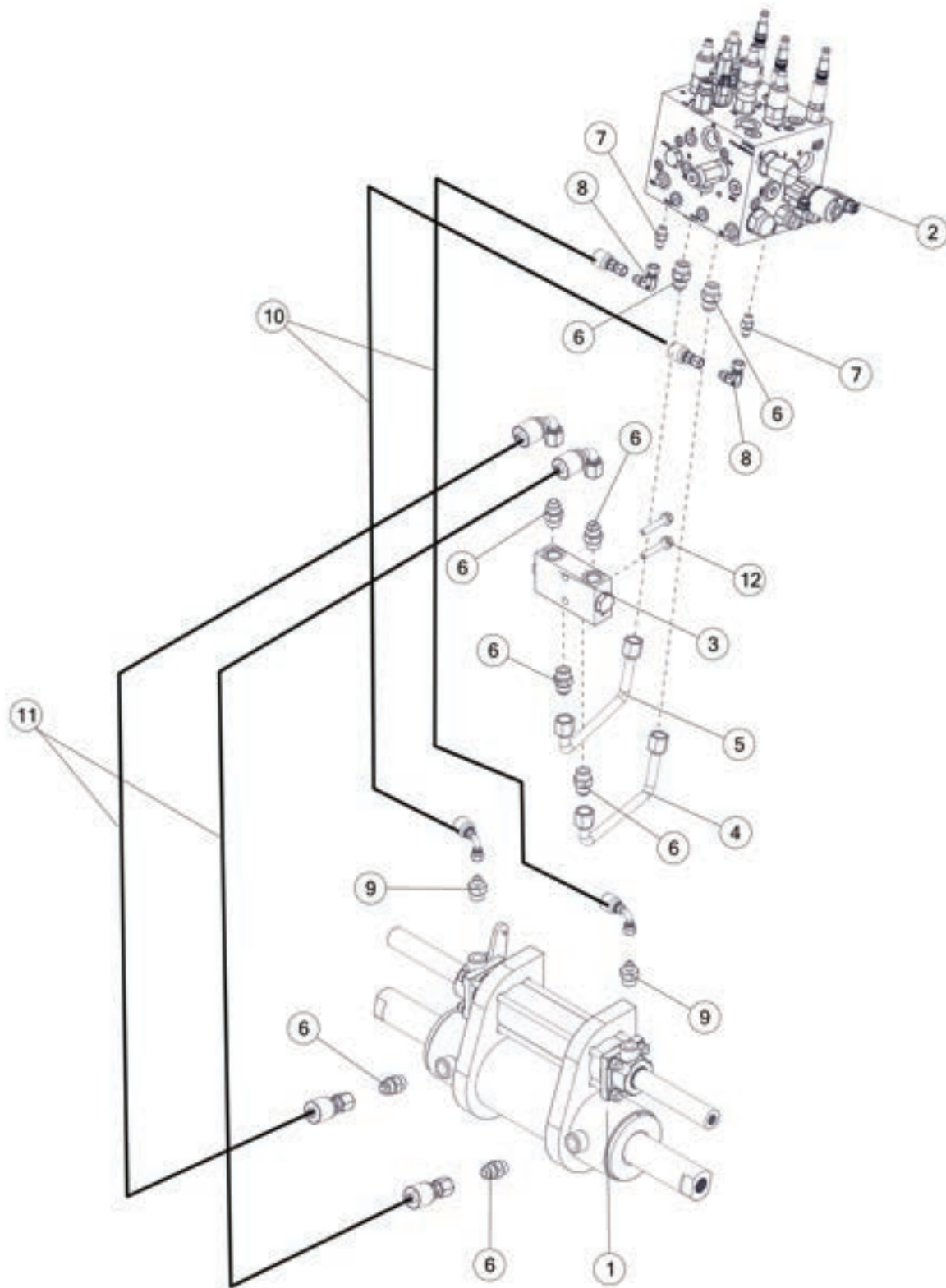




FIGURE 15

HEAD MANIFOLD & COMPONENTS

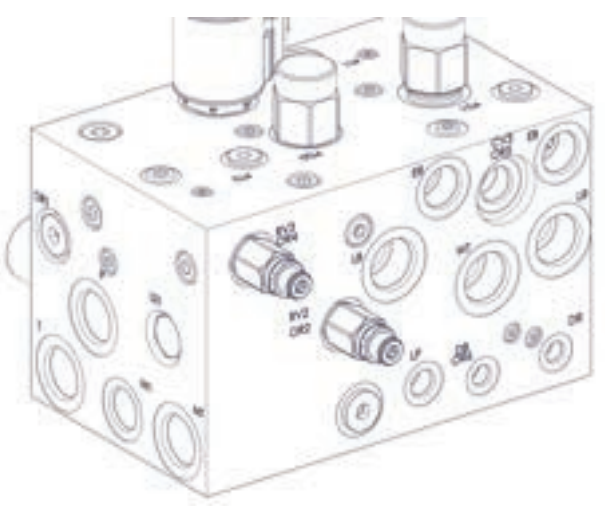
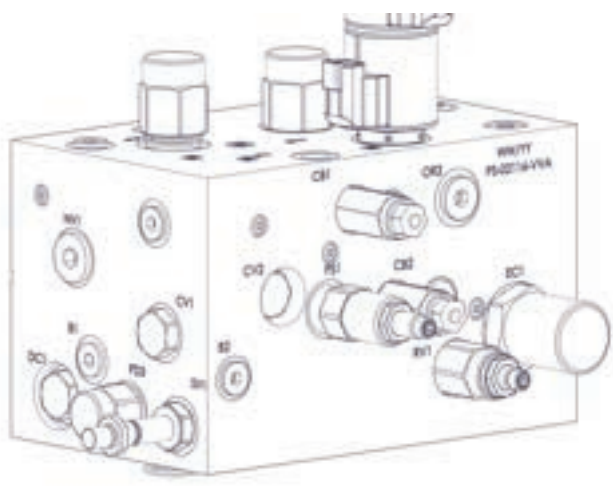
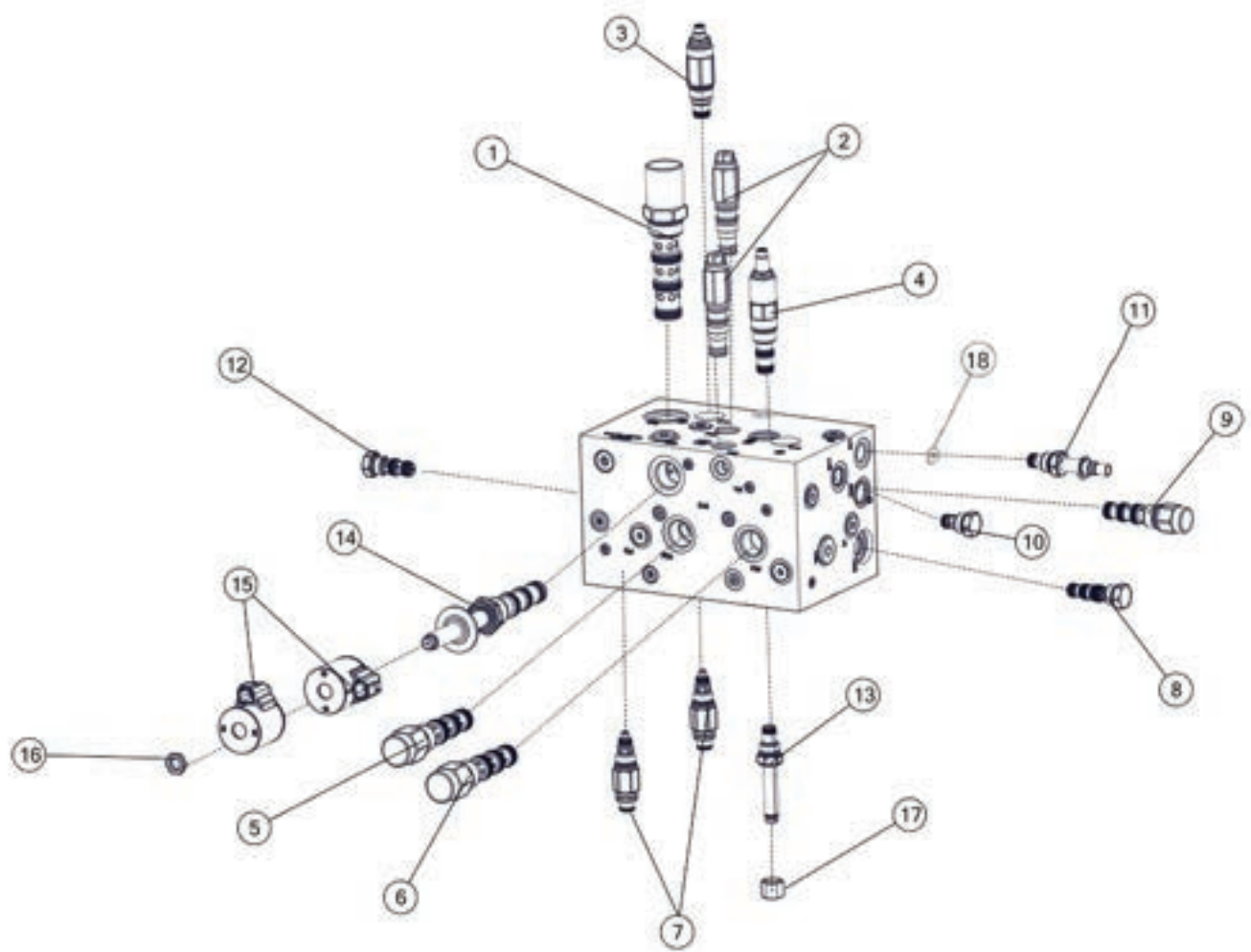




FIGURE 15A

MAIN HEAD MANIFOLD & COMPONENTS

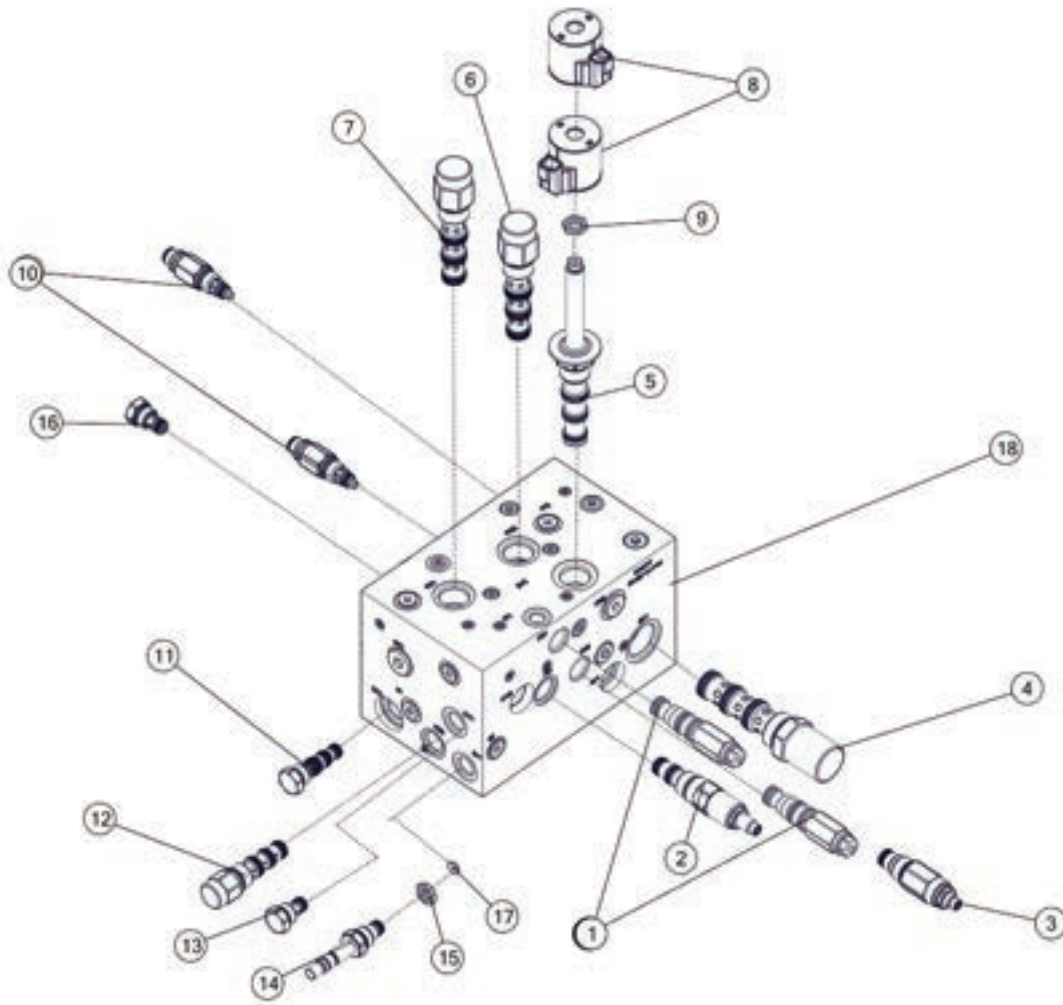




FIGURE 16

STEERING MANIFOLD & COMPONENTS

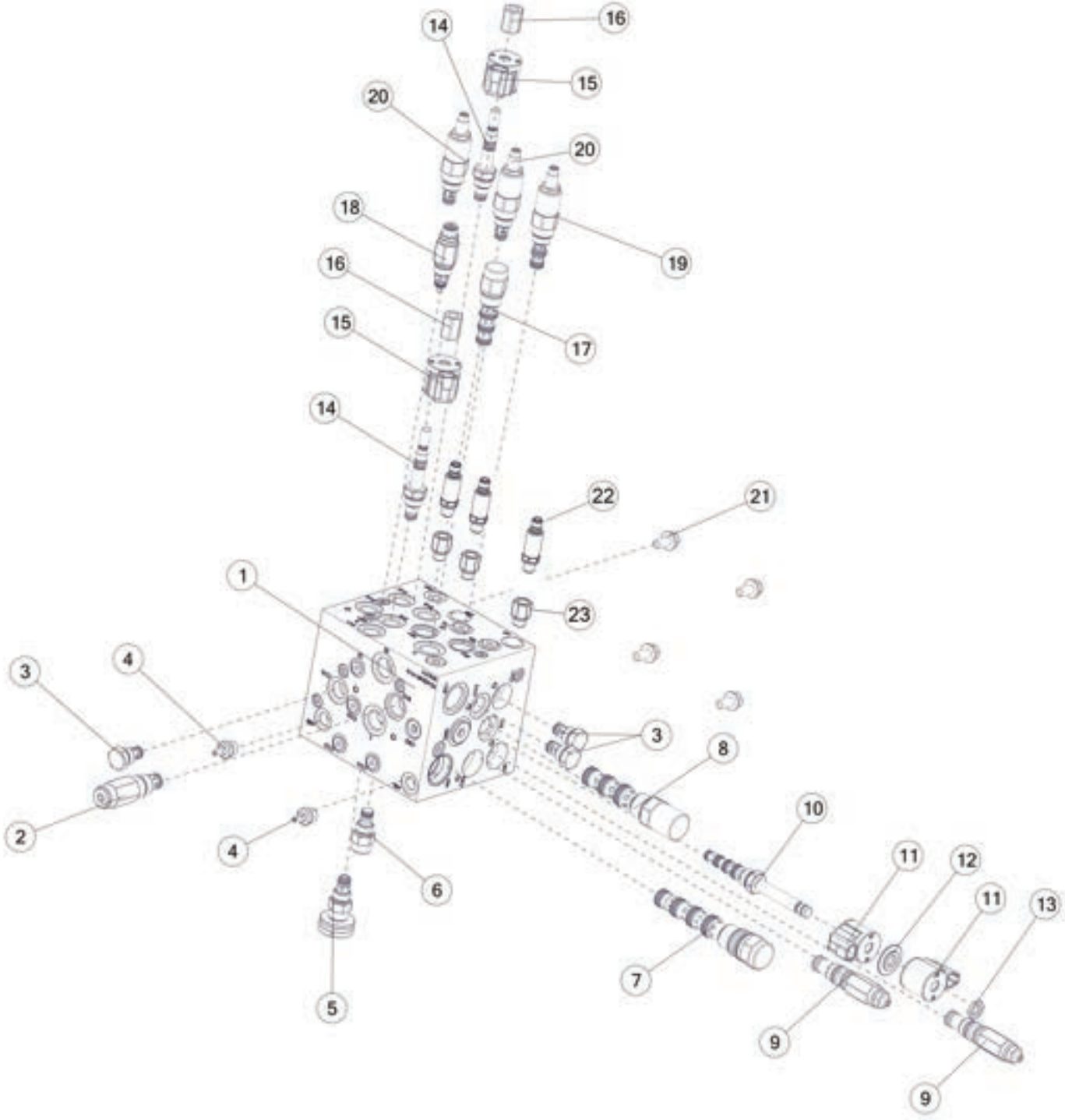




FIGURE 17

BELT CONTROL MANIFOLD & COMPONENTS

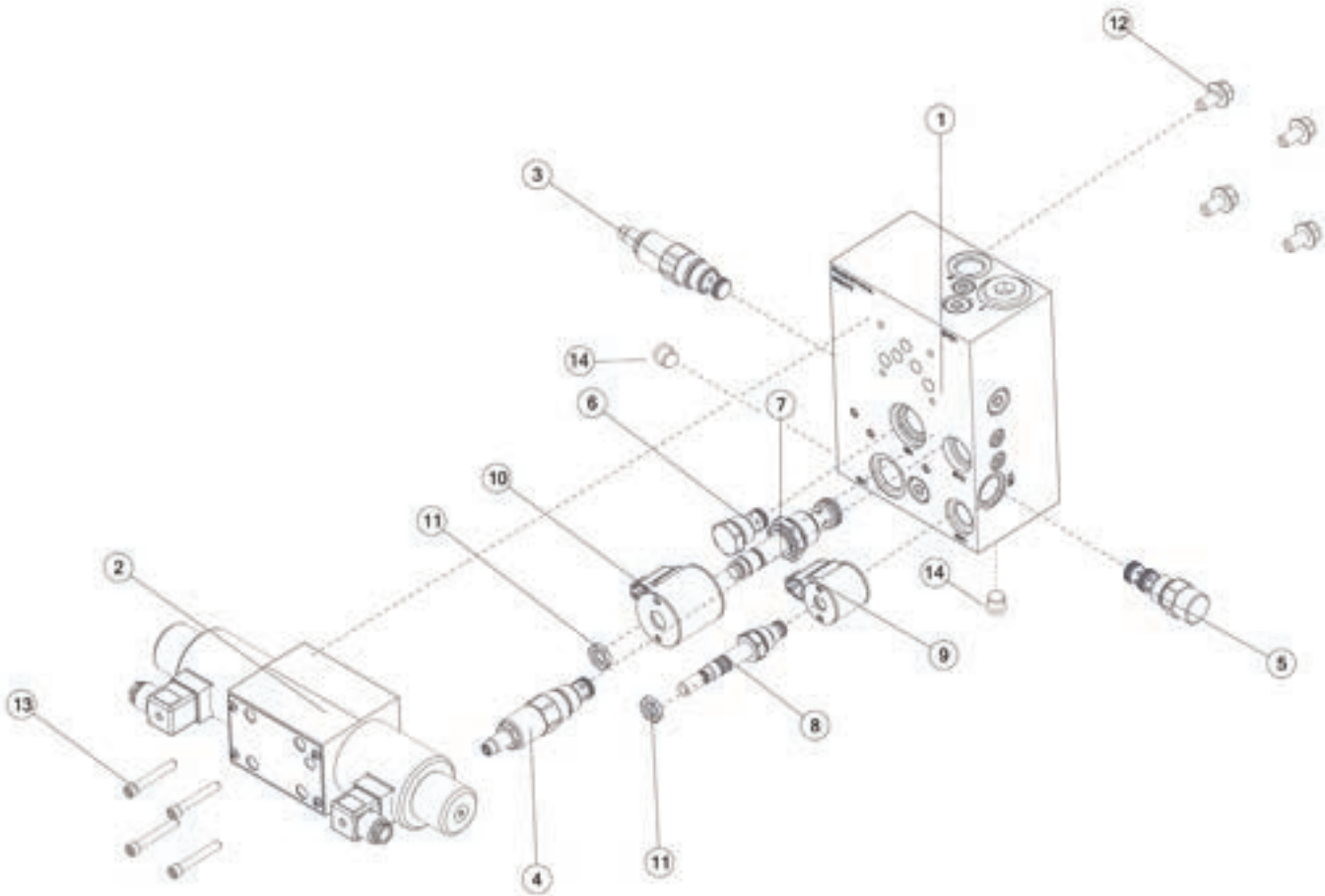




FIGURE 18

LEFT HEAD HYDRAULICS & COMPONENTS

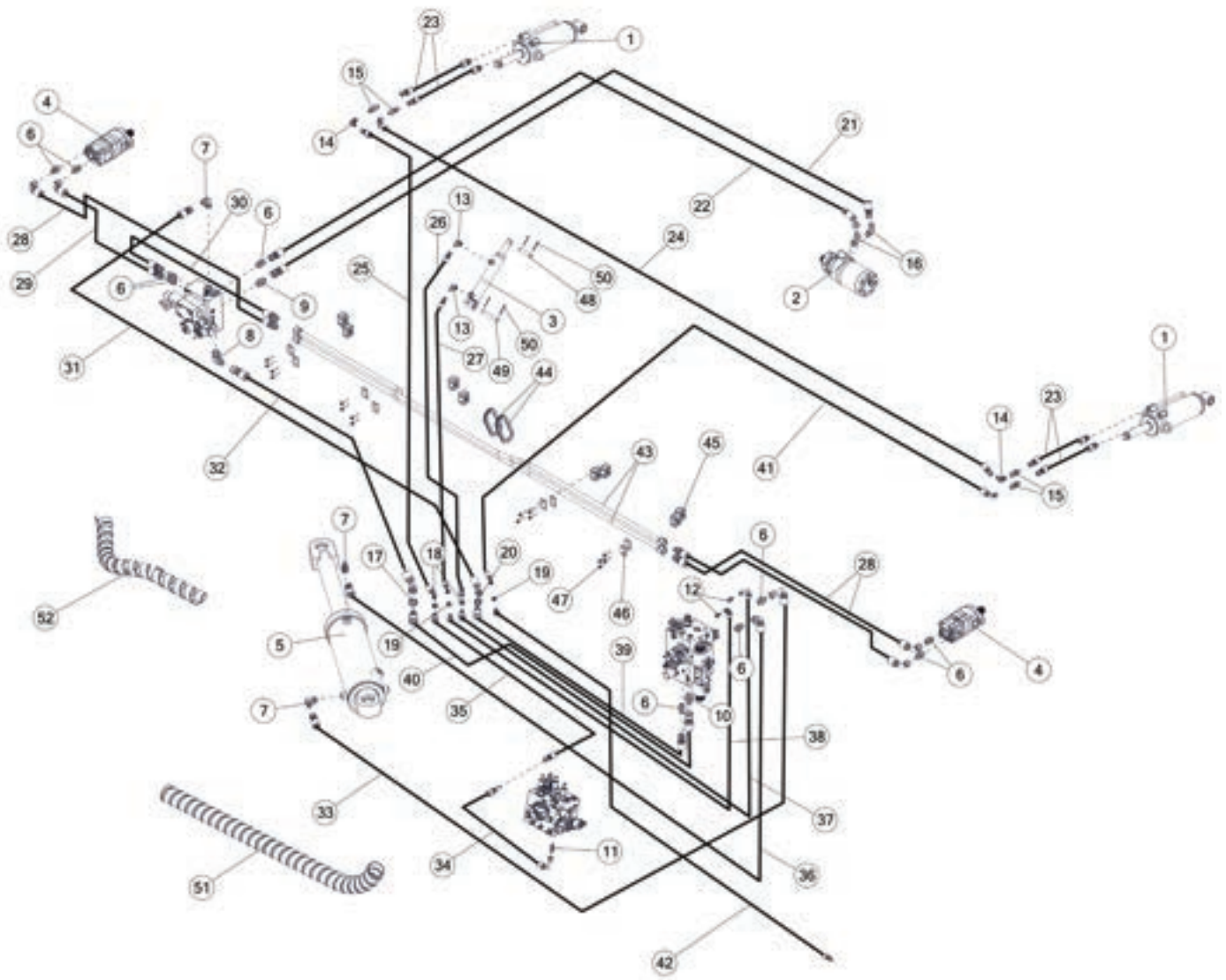




FIGURE 18

LEFT HEAD HYDRAULICS & COMPONENTS

REF #	PART #	DESCRIPTION	QTY
1	90462	HYDRAULIC CYLINDER, 3 1/2 X 6	2
*	90463	SEAL KIT	1
2	82161	HYD MOTOR, 39.6 CU IN, DELTA	1
3	85918	HYD CYLINDER, 1.5 X6	1
4	81763	HYD MOTOR, 9.6 CU IN, 2K	2
5	HS101465	HYDRAULIC CYLINDER, REPHASE 6 X 15	1
*	98239	SEAL KIT	1
6	GM57	FTG,ST,10JIC,10ORB,STL	10
7	GM56	FITTING, 90	3
8	CHM194	FITTING, 90, 12JIC X 12ORB	1
9	GM21	FTG,ST,12JIC,10ORB,STL	1
10	SD273	FTG,ST,12JIC,12ORB,STL	1
11	CHM257	FTG,ST,6JIC,6ORB,STL	1
12	58094	FTG,ST,4JIC,4ORB,STL	2
13	71281	FITTING, 90, 4JIC X 6ORB	2
14	58127	FITTING 90, 3/8 JIC, 3/8 JIC	2
15	95983	FITTING ST, 6 JIC, 6JIC, BULKHEAD	4
16	CHM175	FITTING, 45, 10JIC X 10ORB	2
17	84024	JAM NUT HEX, -12 JIC	1
18	95986	JAM NUT HEX, -6 JIC	2
19	98058	JAM NUT HEX, -4 JIC	3
20	84026	JAM NUT HEX, -10 JIC	1
21	94773	HYD HOSE, 10, 128IN	1
22	94775	HYD HOSE, 10, 123IN	1
23	95988	HYDRAULIC HOSE, 6, 22.0	4
24	96004	HYDRAULIC HOSE, 6, 174	1
25	98288	HYDRAULIC HOSE, 6, 140	1
26	98283	HYDRAULIC HOSE, 4, 73	1
27	98591	HYDRAULIC HOSE, 4, 67	1
28	96386	HYDRAULIC HOSE, 10, 54.0	3
29	88044	HYDRAULIC HOSE, 10, 36	1
30	95970	HYDRAULIC HOSE, 10, 54.0	1
31	98267	HYDRAULIC HOSE, 10, 107	1
32	98265	HYDRAULIC HOSE, 12, 107	1
33	HS101707	HYDRAULIC HOSE, 10, 108.50	1
34	97776	HYDRAULIC HOSE, 6, 27.0	1
35	98051	HYDRAULIC HOSE, 6, 64.0	1





FIGURE 18

LEFT HEAD HYDRAULICS & COMPONENTS

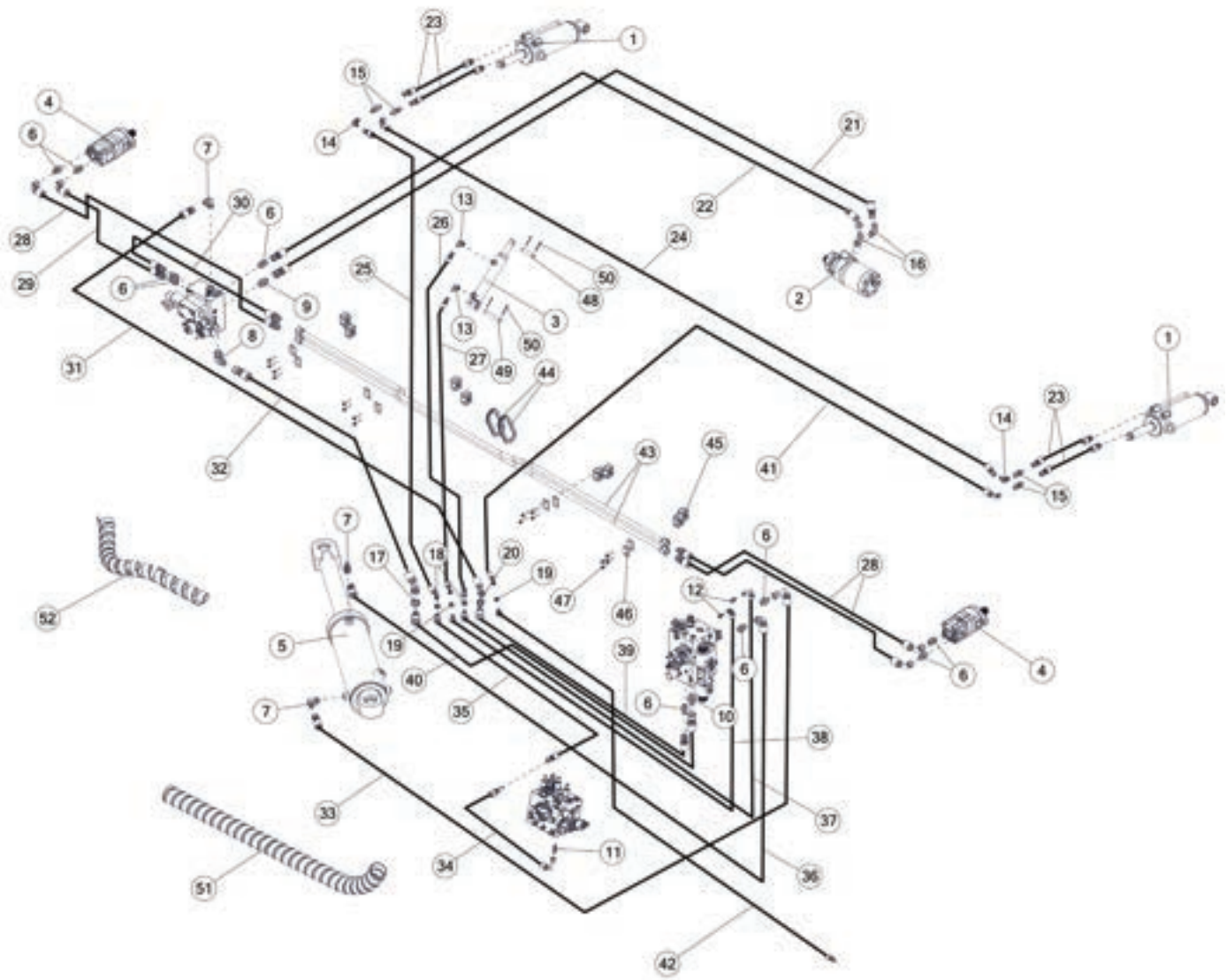




FIGURE 19

CENTER HEAD HYDRAULICS & COMPONENTS

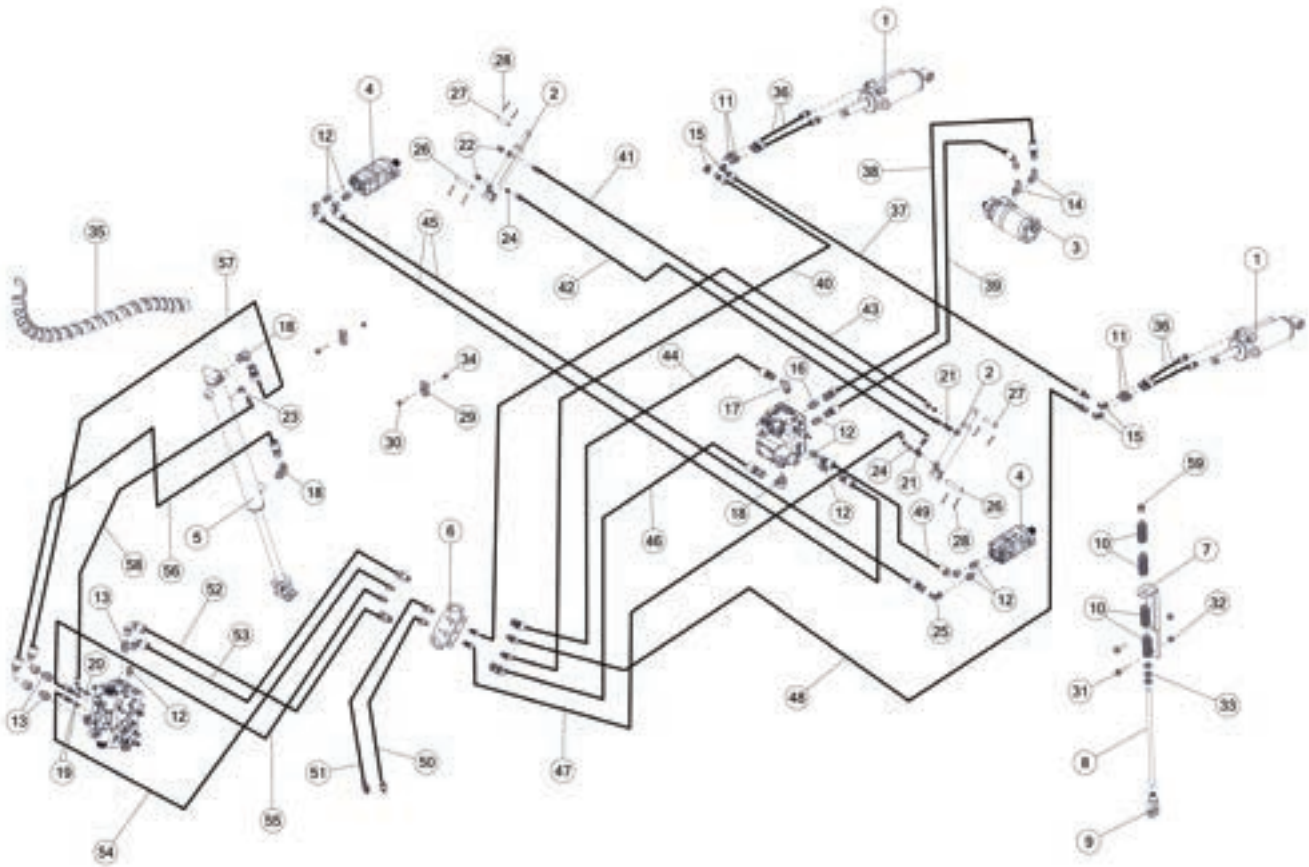




FIGURE 19

CENTER HEAD HYDRAULICS & COMPONENTS

REF #	PART #	DESCRIPTION	QTY
1	90462	HYDRAULIC CYLINDER, 3 1/2 X 6	2
*	90463	SEAL KIT	1
2	85918	HYD CYLINDER, 1.5 X6	2
3	82161	HYD MOTOR, 39.6 CU IN, DELTA	1
4	81763	HYD MOTOR, 9.6 CU IN, 2K	2
5	92085	HYDRAULIC CYLINDER, REPHASE 2-1/2 X 29	1
6	98008	MOUNTING BRACKET	1
7	HS101917	CENTER SPRING BRACKET	1
8	HS101921	THREADED ROD	1
9	99911	CLEVIS	1
10	BBS35	COMPRESSION SPRING	4
11	95983	FITTING ST, 6 JIC, 6JIC, BULKHEAD	4
12	GM57	FTG,ST,10JIC,10ORB,STL	8
13	SD273	FTG,ST,12JIC,12ORB,STL	3
14	CHM175	FITTING, 45, 10JIC X 10ORB	2
15	58127	FITTING 90, 3/8 JIC, 3/8 JIC	4
16	GM21	FTG,ST,12JIC,10ORB,STL	1
17	GM56	FITTING, 90, 10JIC X 10ORB	1
18	CHM194	STRAIGHT THREAD ELBOW	3
19	58094	FTG,ST,4JIC,4ORB,STL	2
20	SD279	FTG,ST,4JIC,6ORB,STL	1
21	83280	FITING T, 1/4 JIC, 3/8 ORB, 1/4 JIC	2
22	71281	FITTING, 90, 4JIC X 6ORB	2
23	GM30	MALE ELBOW 37° / ORB	1
24	58108	IN-LINE CONNECTOR, ORIFICE, 4-XHX7-S .031	2
25	83997	FITTING 90, 10 JIC, 10 JIC	1
26	84331	CYLINDER PIN	2
27	79558	CYLINDER PIN	2
28	YPCT05010	COTTER PIN 5/32" X 1-1/2"	8
29	86567	DOUBLE CLAMP, UNIVERSAL	2
30	YBFB12225	BOLT FLG, 3/8 X 2-1/4 G5	2





FIGURE 19

CENTER HEAD HYDRAULICS & COMPONENTS

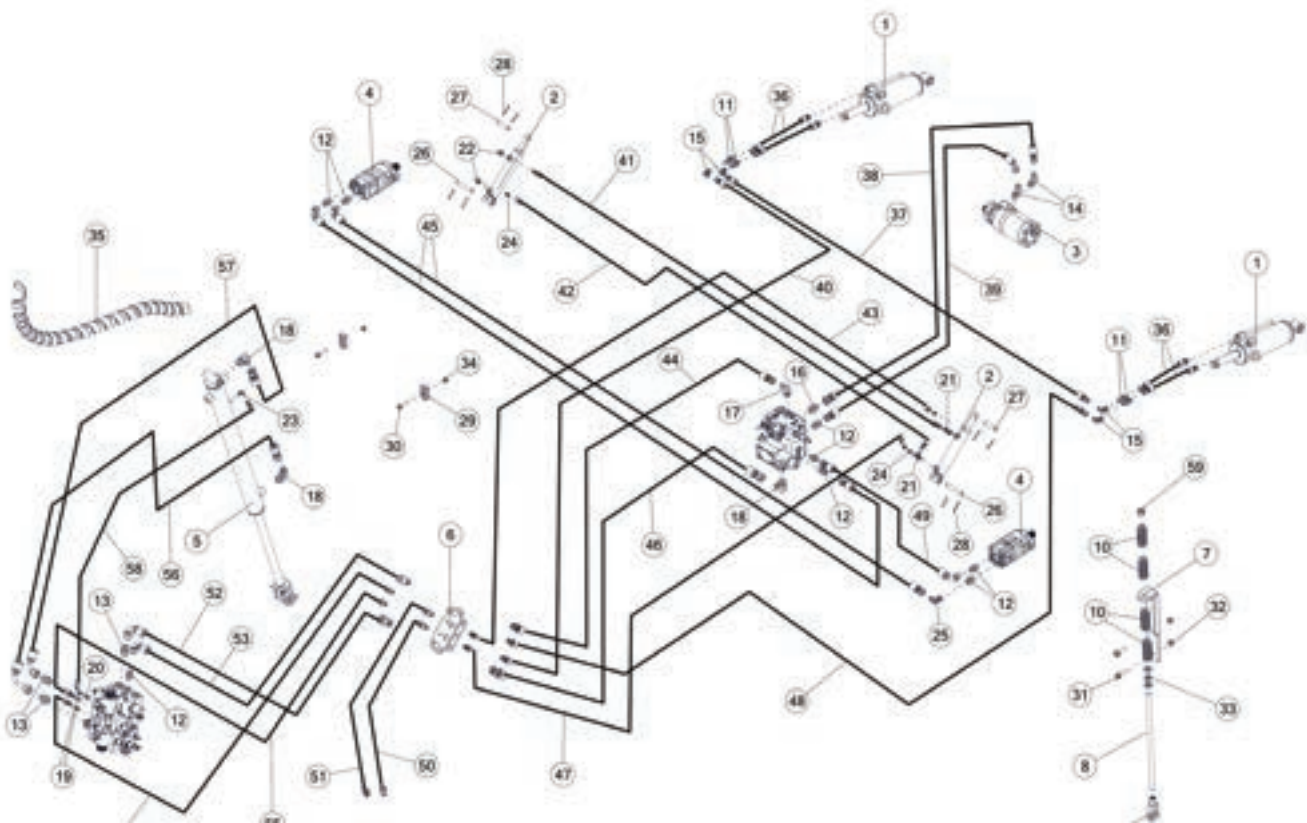




FIGURE 19

CENTER HEAD HYDRAULICS & COMPONENTS

REF #	PART #	DESCRIPTION	QTY
31	YBFB16200	BOLT FLG, 1/2 X 2 G5	2
32	YNFG16003	NUT FLG, 1/2 GF	2
33	YNJM24010	NUT JAM, 3/4 A	3
34	YNFG12006	NUT FLG, 3/8 GF	2
35	HS102444	SPIRAL WRAP	1
36	95988	HYDRAULIC HOSE, 6, 22.0	4
37	HS102484	HYDRAULIC HOSE, 6, 126.00	1
38	91106	HYDRAULIC HOSE, 10, 102	1
39	91103	HYDRAULIC HOSE, 10, 98	1
40	HS102486	HYDRAULIC HOSE, 6, 73.89	1
41	HS102499	HYDRAULIC HOSE, 4, 84.38	1
42	HS102497	HYDRAULIC HOSE, 4, 91.19	1
43	HS102501	HYDRAULIC HOSE, 4, 67.69	1
44	HS102491	HYDRAULIC HOSE, 10, 55.56	1
45	91081	HYDRAULIC HOSE, 10, 142	2
46	HS102488	HYDRAULIC HOSE, 12, 53.00	1
47	HS102493	HYDRAULIC HOSE, 4, 66.69	1
48	HS102482	HYDRAULIC HOSE, 6, 76.13	1
49	88044	HYDRAULIC HOSE, 10, 36	1
50	HS102213	HYDRAULIC HOSE, 6, 97.56	1
51	HS102208	HYDRAULIC HOSE, 6, 154.50	1
52	HS102191	HYDRAULIC HOSE, 12, 79.06	1
53	HS102194	HYDRAULIC HOSE, 10, 77.98	1
54	HS102201	HYDRAULIC HOSE, 4, 60.87	1
55	HS102196	HYDRAULIC HOSE, 4, 60.38	1
56	HS102228	HYDRAULIC HOSE, 12, 51.38	1
57	HS102220	HYDRAULIC HOSE, 12, 34.75	1
58	HS102226	HYDRAULIC HOSE, 4, 28.69	1
59	YNNY24003	NUT, HEX, 3/4-10, LKNY, G2, ZC	1



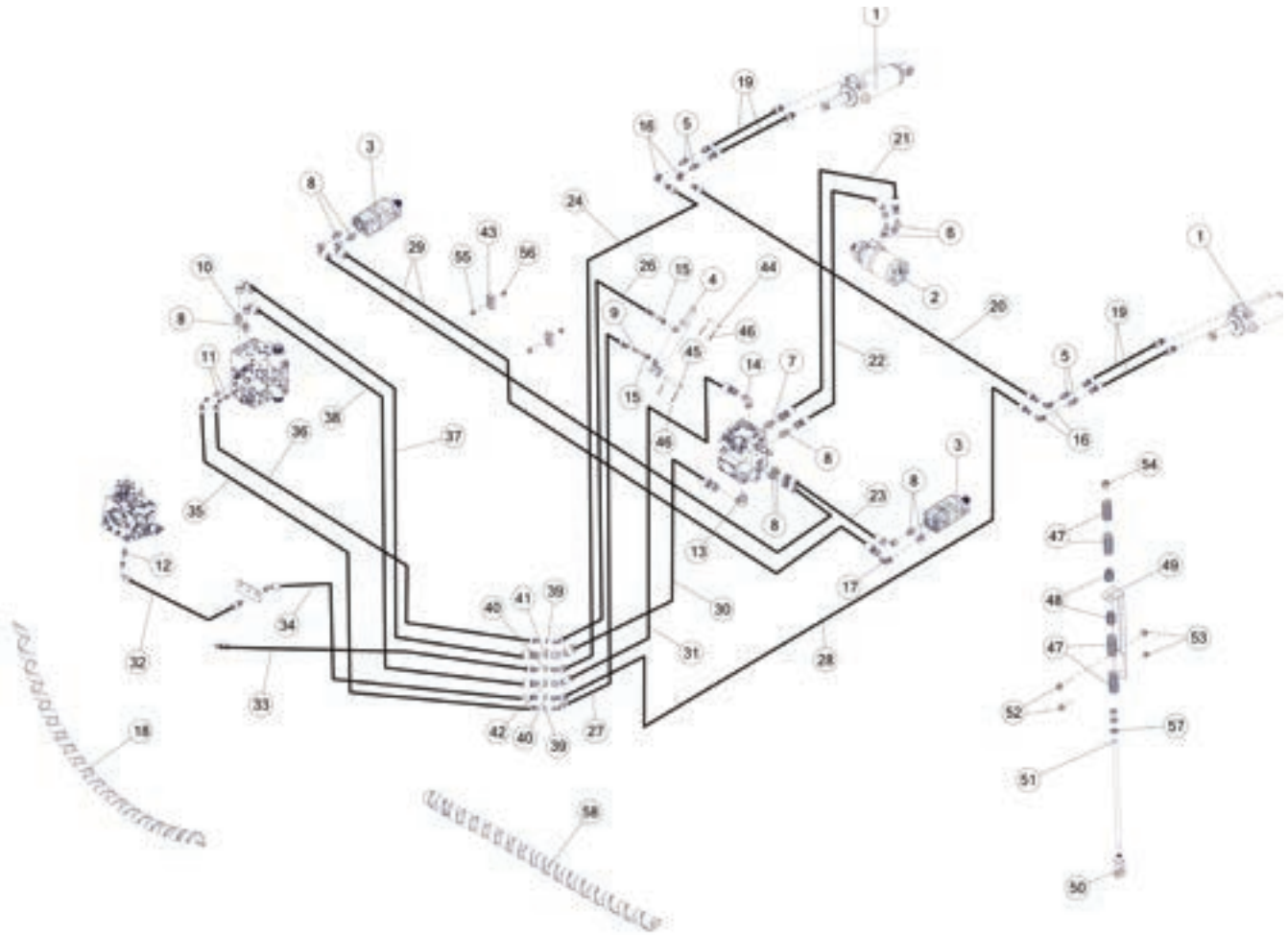




FIGURE 20

RIGHT HEAD HYDRAULICS & COMPONENTS

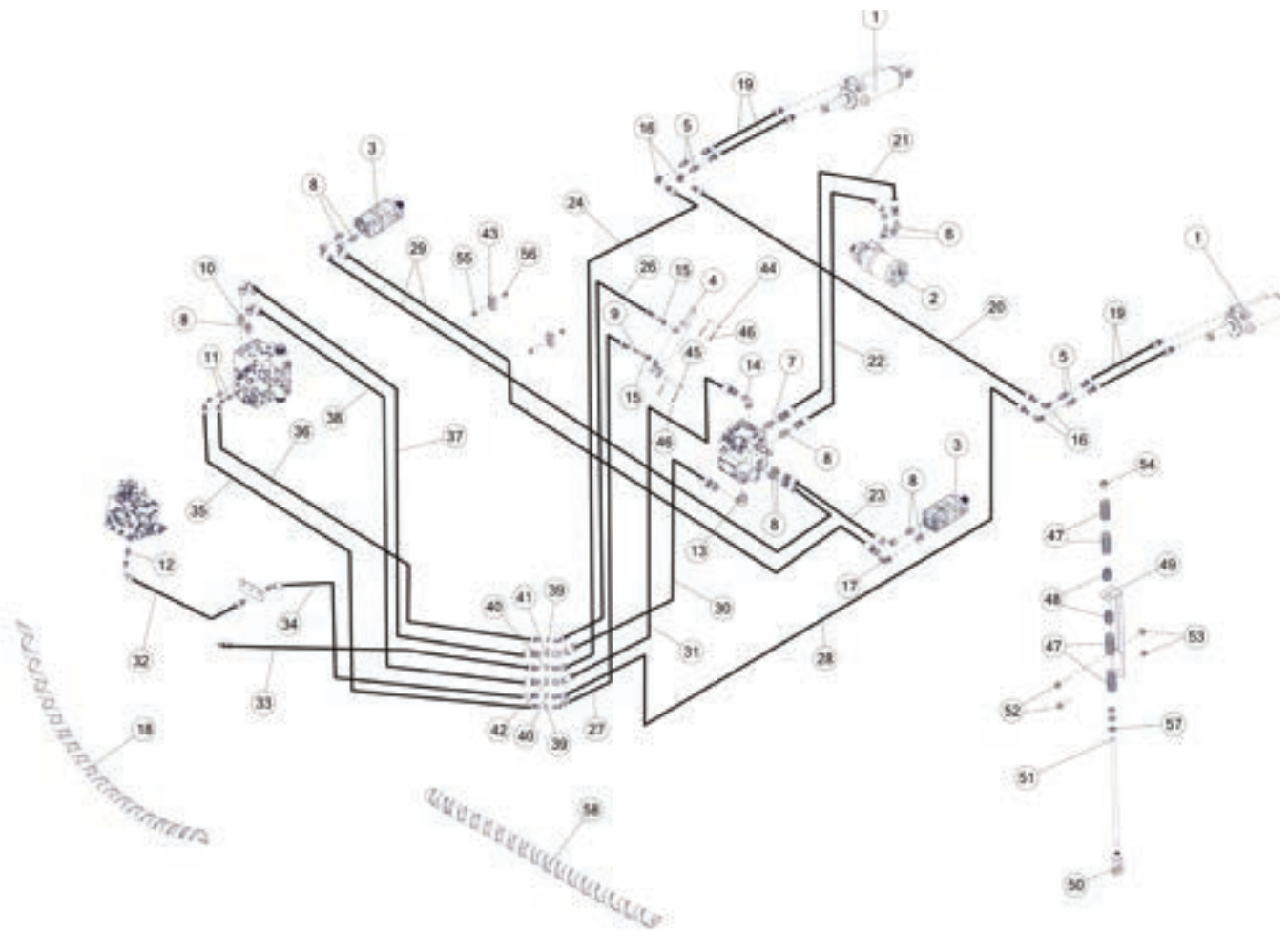
REF #	PART #	DESCRIPTION	QTY
1	90462	HYDRAULIC CYLINDER, 3 1/2 X 6	2
*	90463	SEAL KIT	1
2	82161	HYD MOTOR, 39.6 CU IN, DELTA	1
3	81763	HYD MOTOR, 9.6 CU IN, 2K	2
4	85918	HYD CYLINDER, 1.5 X6	1
5	95983	FITTING ST, 6 JIC, 6JIC, BULKHEAD	4
6	CHM175	FITTING, 45, 10JIC X 10ORB	2
7	GM21	FTG,ST,12JIC,10ORB,STL	1
8	GM57	FTG,ST,10JIC,10ORB,STL	8
9	58108	IN-LINE CONNECTOR, ORIFICE, 4-XHX7-S .031	1
10	SD273	FTG,ST,12JIC,12ORB,STL	1
11	58094	FTG,ST,4JIC,4ORB,STL	2
12	CHM257	FTG,ST,6JIC,6ORB,STL	1
13	CHM194	STRAIGHT THREAD ELBOW	1
14	GM56	FITTING, 90, 10JIC X 10ORB	1
15	71281	FITTING, 90, 4JIC X 6ORB	2
16	58127	FITTING 90, 3/8 JIC, 3/8 JIC	4
17	83997	FITTING 90, 10 JIC, 10 JIC	1
18	HS102439	SPIRAL WRAP	1
19	95988	HYDRAULIC HOSE, 6, 22.0	4
20	HS102512	HYDRAULIC HOSE, 6, 112.00	1
21	91106	HYDRAULIC HOSE, 10, 102	1
22	91103	HYDRAULIC HOSE, 10, 98	1
23	88044	HYDRAULIC HOSE, 10, 36	1
24	HS102504	HYDRAULIC HOSE, 6, 135.89	1
26	HS102508	HYDRAULIC HOSE, 4, 99.88	1
27	HS102507	HYDRAULIC HOSE, 4, 92.50	1
28	HS102503	HYDRAULIC HOSE, 6, 131.63	1
29	91081	HYDRAULIC HOSE, 10, 142	2
30	HS102506	HYDRAULIC HOSE, 12, 115.81	1





FIGURE 20

RIGHT HEAD HYDRAULICS & COMPONENTS



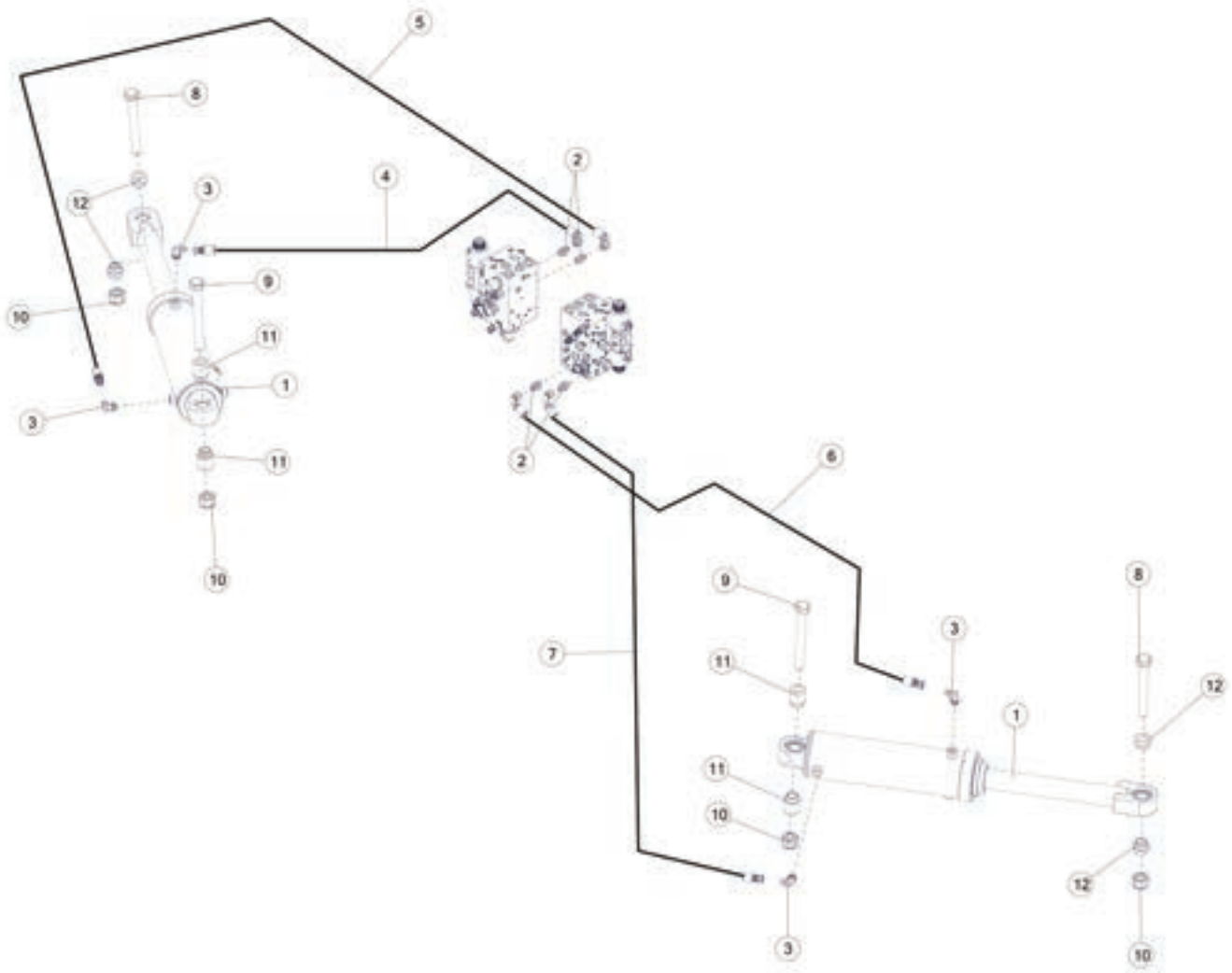




FIGURE 21

HYDRAULICS CYLINDER & COMPONENTS

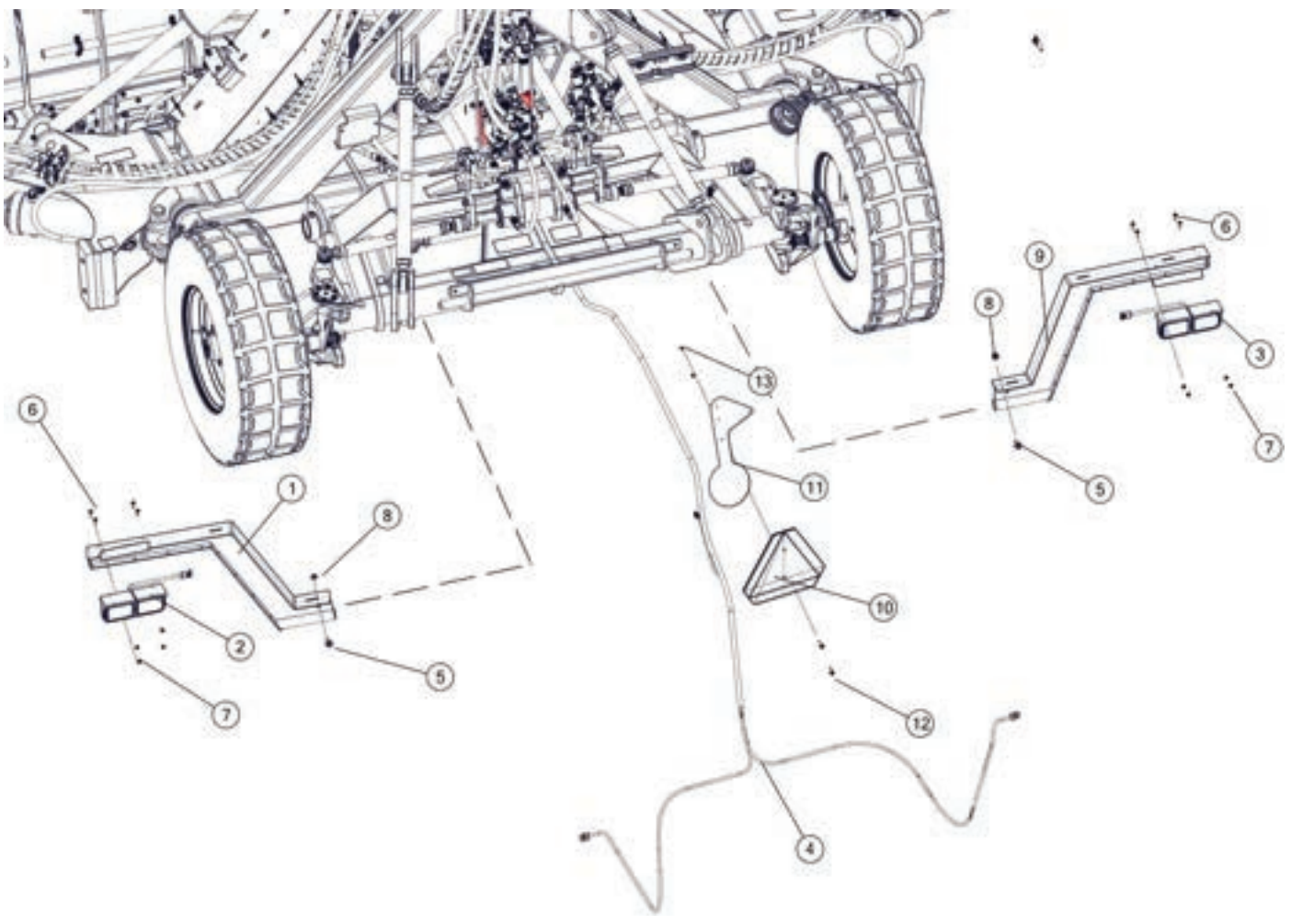
REF #	PART #	DESCRIPTION	QTY
1	91653	HYDRAULIC CYLINDER, REPHASE 6 X 17	2
*	91920	SEAL KIT	1
2	GM57	FTG,ST,10JIC,10ORB,STL	4
3	GM56	MALE ELBOW 37° / ORB 10 C5OX-S	4
4	HS102314	HYDRAULIC HOSE, 10, 88.82	1
5	HS102316	HYDRAULIC HOSE, 10, 108.43	1
6	HS102341	HYDRAULIC HOSE, 10, 89.63	1
7	HS102339	HYDRAULIC HOSE, 10, 100.50	1
8	YBHH40100	BOLT, 1-1/4 X 10, G8	2
9	YBHH40110	BOLT, 1-1/4 X 11, G8	2
10	YNNY40005	NUT, HEX, 1 1/4-7, LKNY, G8, YZ	4
11	92261	SPACER, BASE END	4
12	92262	SPACER, ROD END	4

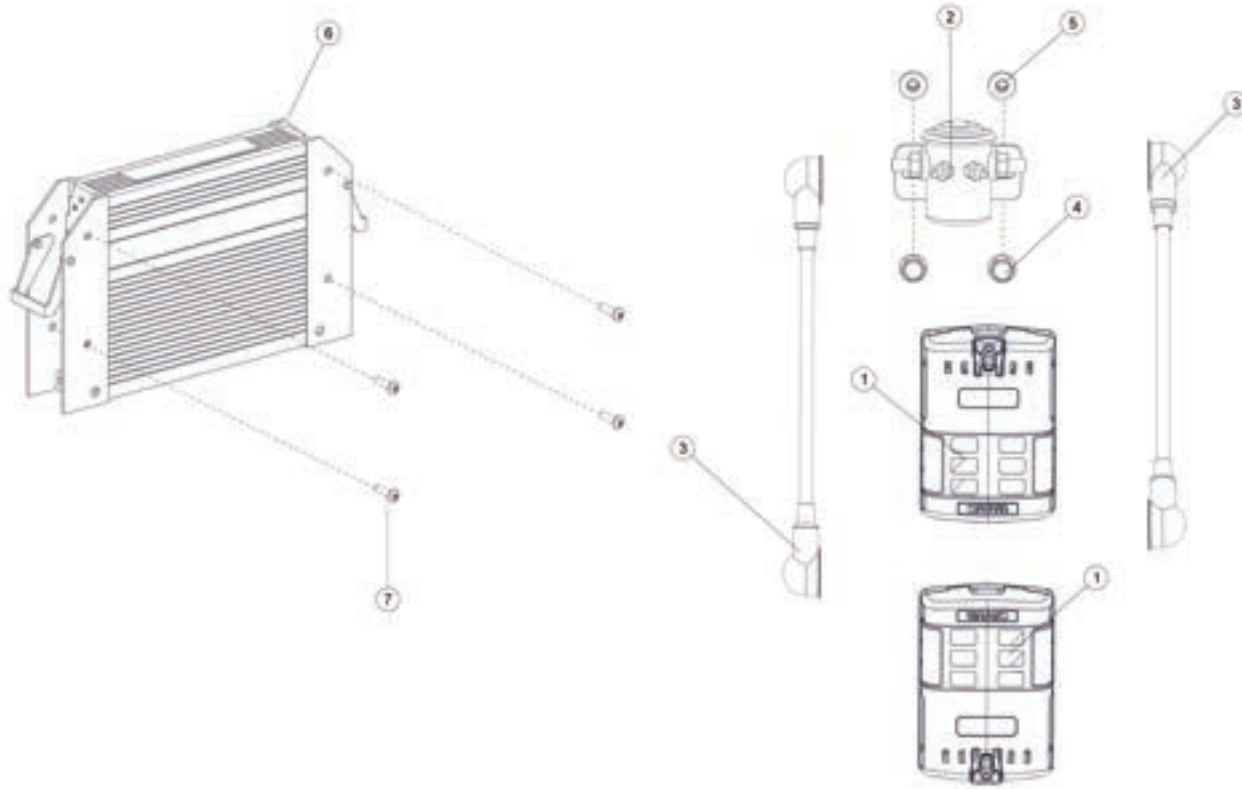




FIGURE 22

LIGHTS & COMPONENTS



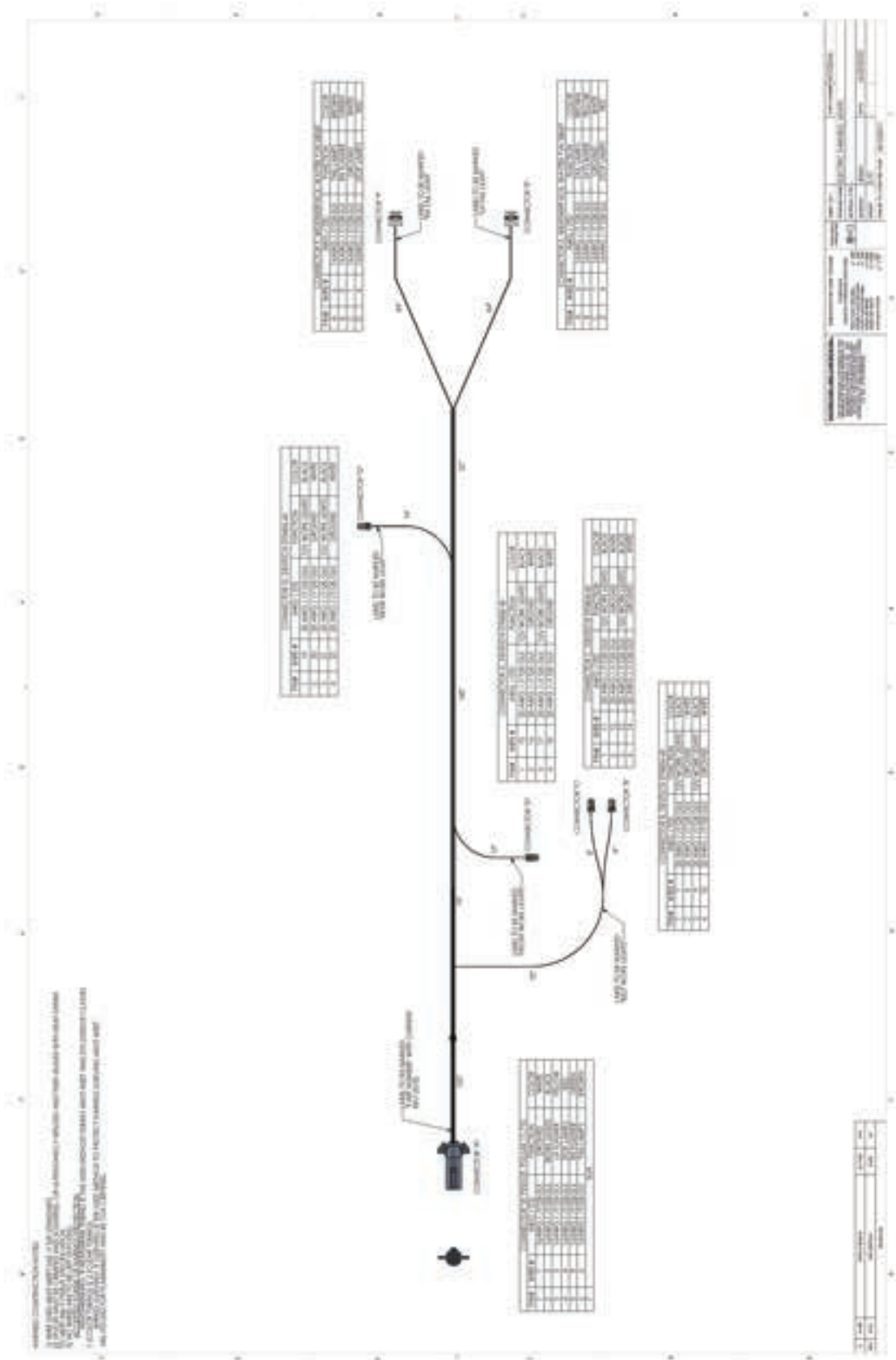


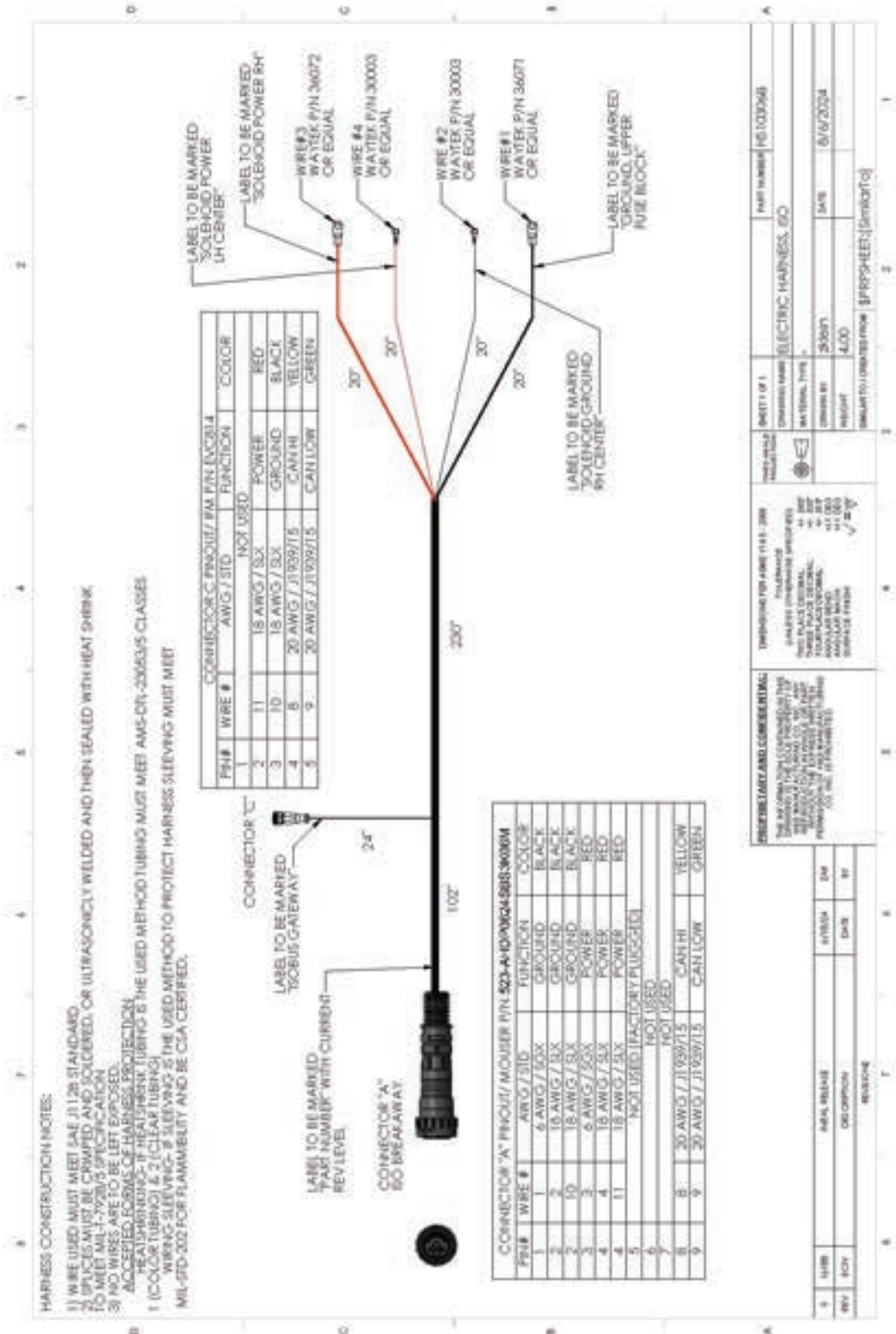
REF #	PART #	DESCRIPTION	QTY
1	97675	FUSE BLOCK	2
2	83008	SOLENOID	1
3	83132	POWER WIRE	2
4	YBFB10075	BOLT FLANGE, 5/16 X 3/4 G5	2
5	YNFG10005	NUT FLANGE, 5/16 GF	2
6	HS101194	PLC CONTROLLER	1
7	YSBS64005	BUTTON HEAD SOCKET CAP SCREW, #10-32 X 1-1/2	4



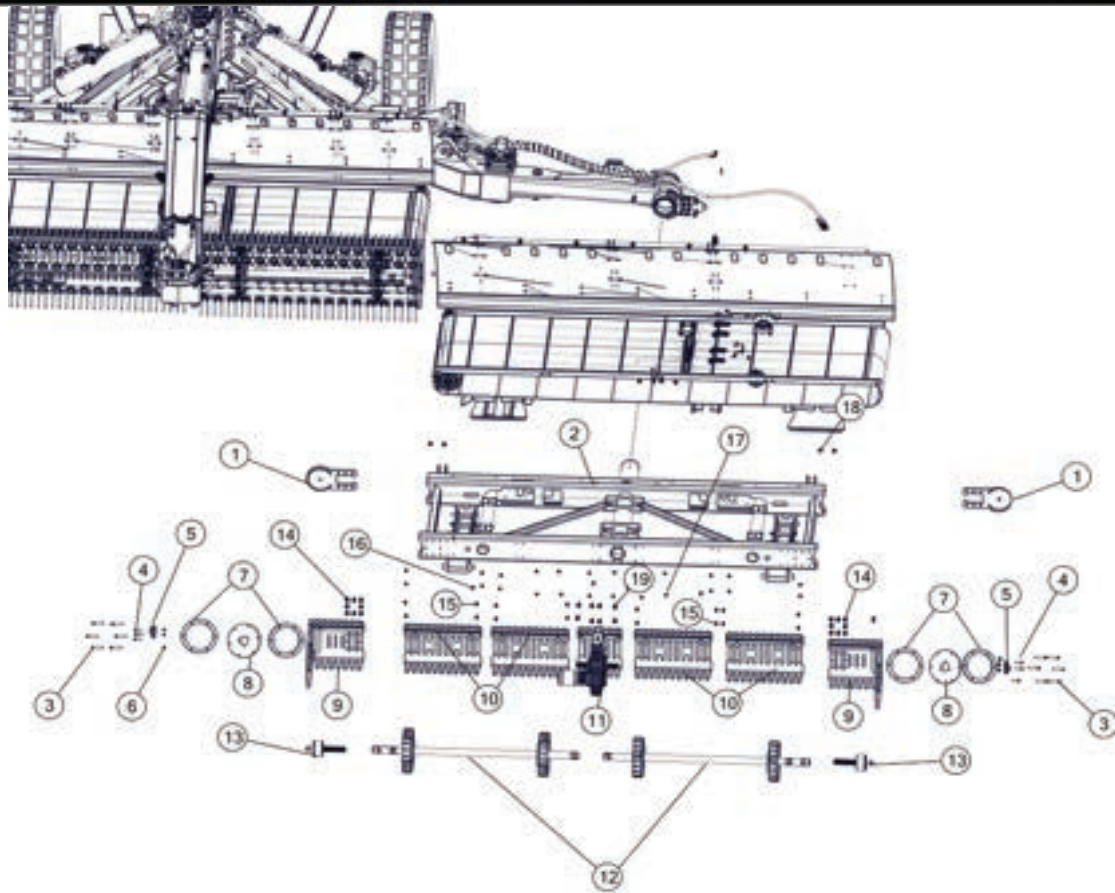
FIGURE 24

FRONT ISO HARNESS

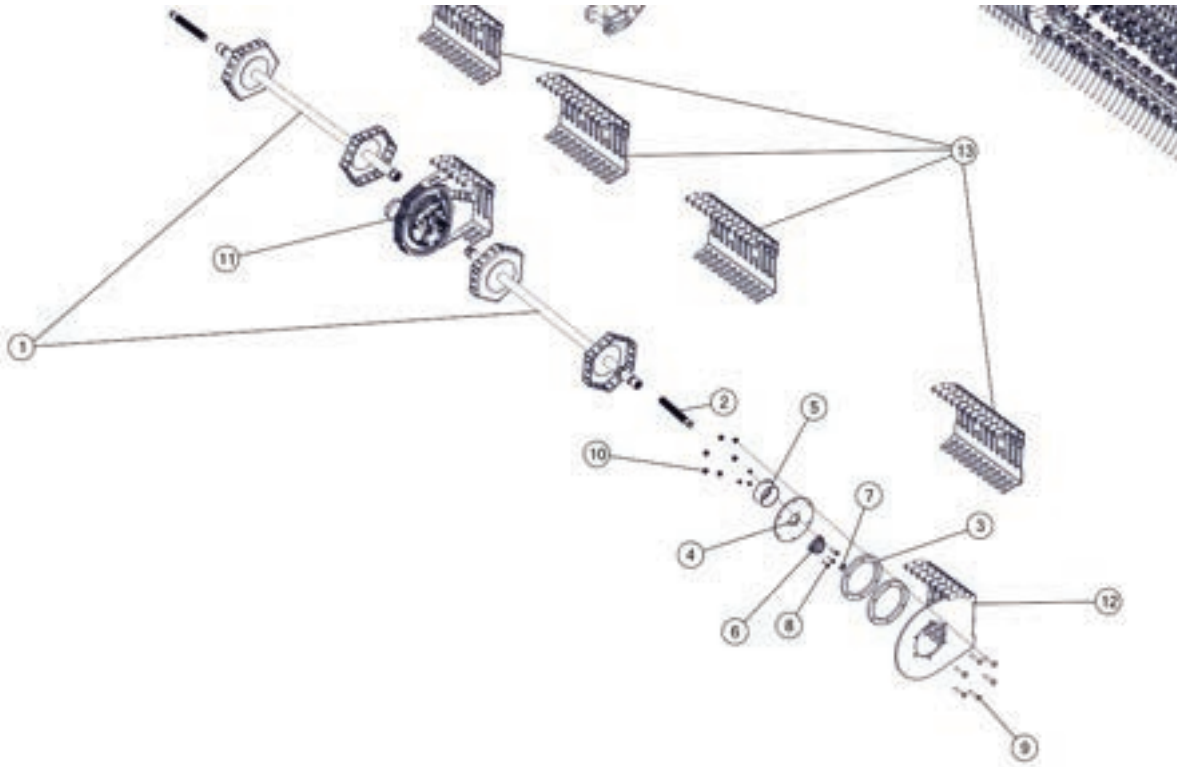




MERGER HEADS



1	96603	BEARING SUPPORT	2
2	HS103136	12' HEAD FRAME	1
3	YBCR16037	BOLT, CARR, 1/2-13 X 3.00, GR5, ZC	12
4	YBFB12175	BOLT FLG, 3/8 X 1-3/4 G5	6
5	TFM50	BEARING	2
6	YNFG12006	NUT FLANGE, 3/8 GF	6
7	83408	LARGE SPACER	4
8	83407	BEARING MOUNT	2
9	85891	END CAP	2
10	89909	MOUNTING BRACKET	4
11	90932	GEARBOX ASSEMBLY	1
12	90976	REEL	2
13	59143	ANTI WRAP GUARD	2
14	YBFB16150	BOLT FLANGE, 1/2 X 1-1/2 G5	20
15	YBFB12125	BOLT FLANGE, 3/8 X 1-1/4 G5	12
16	YBCR12015	BOLT CARR 3/8-16 X 1-1/2 G5	5
17	YNFG12006	NUT FLANGE, 3/8 GF	12
18	YNFG16003	NUT FLANGE, 1/2 GF	16
19	YBFB16175	BOLT FLG, 1/2 X 1-3/4 G5	8

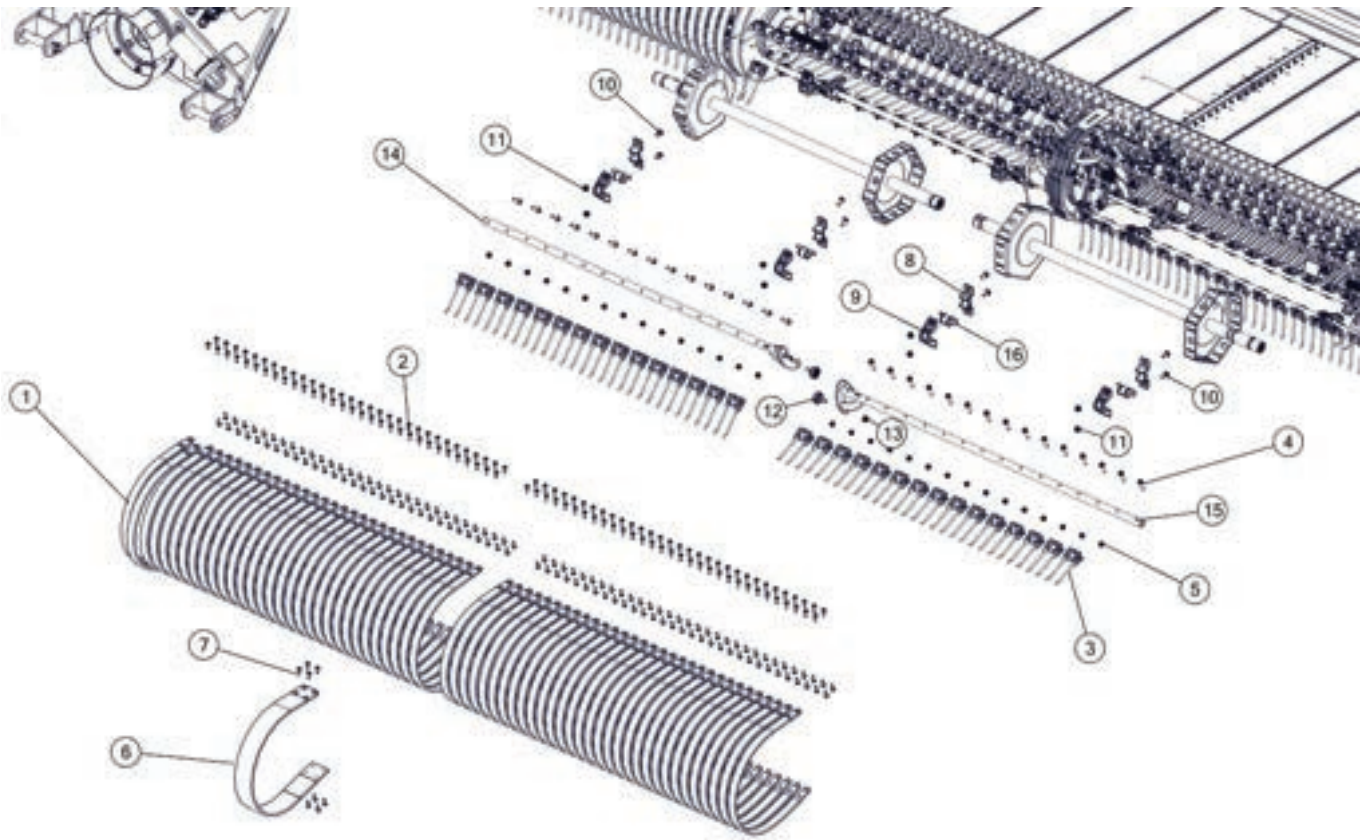


REF #	PART #	DESCRIPTION	QTY
1	90976B	REEL	2
2	83646	SPLINE SHAFT, MACHINED	2
3	83408	REEL IDLER BEARING, LARGE SPACER	4
4	83407	REEL IDLER BEARING SPACER	2
5	59143	ANTI WRAP GUARD	2
6	TFM50	HEAD IDLER BEARING	2
7	F73	1-1/4" SNAP RING	2
8	YBFB12175	BOLT FLG, 3/8 X 1-3/4 G5	6
9	YBCR16038	BOLT, CARR, 1/2-13 X 3-1/4, GR5, ZC	12
10	YNFG16003	NUT FLG, 1/2 GF	12
11	90932	GEARBOX ASSEMBLY	1
12	85891	WLDMT, END CAP	2
13	89909	MOUNTING BRACKET	4





FIGURE 3 TINE BARS & COMPONENTS



REF #	PART #	DESCRIPTION	QTY
1	SPMMS13	HAY STRIPPER (INJECTION MOLDED)	62
2	YSHW10005	THREAD CUTTING SCREW, 5/16 X 1	248
3	SPMMS00	RUBBER TINE	192
4	YBFB12200	BOLT FLG, 3/8 X 2 G5	192
5	YNFG12006	NUT FLG, 3/8 GF	192
6	SPMPL04	CENTER HAY STRIPPER	1
7	YSHW10005	THREAD CUTTING SCREW, 5/16 X 1	8
8	SPMMS16	TINE BAR BEARING HOUSING BOTTOM, MOLDED	24
9	SPMMS17	TINE BAR BEARING HOUSING TOP, MOLDED	24
10	YBCR14005	BOLT, CARR, FT, 7/16-14 X 1-1/4, A, ZC	48
11	YNFG14011	NUT FLG, 7/16 GF	48
12	85705	CAM BEARING	12
13	YNFG16003	NUT FLG, 1/2 GF	12
14	89892	TINE BAR	6
15	89888	TINE BAR	6
16	97179	TINE BAR WEAR SLEEVE	24



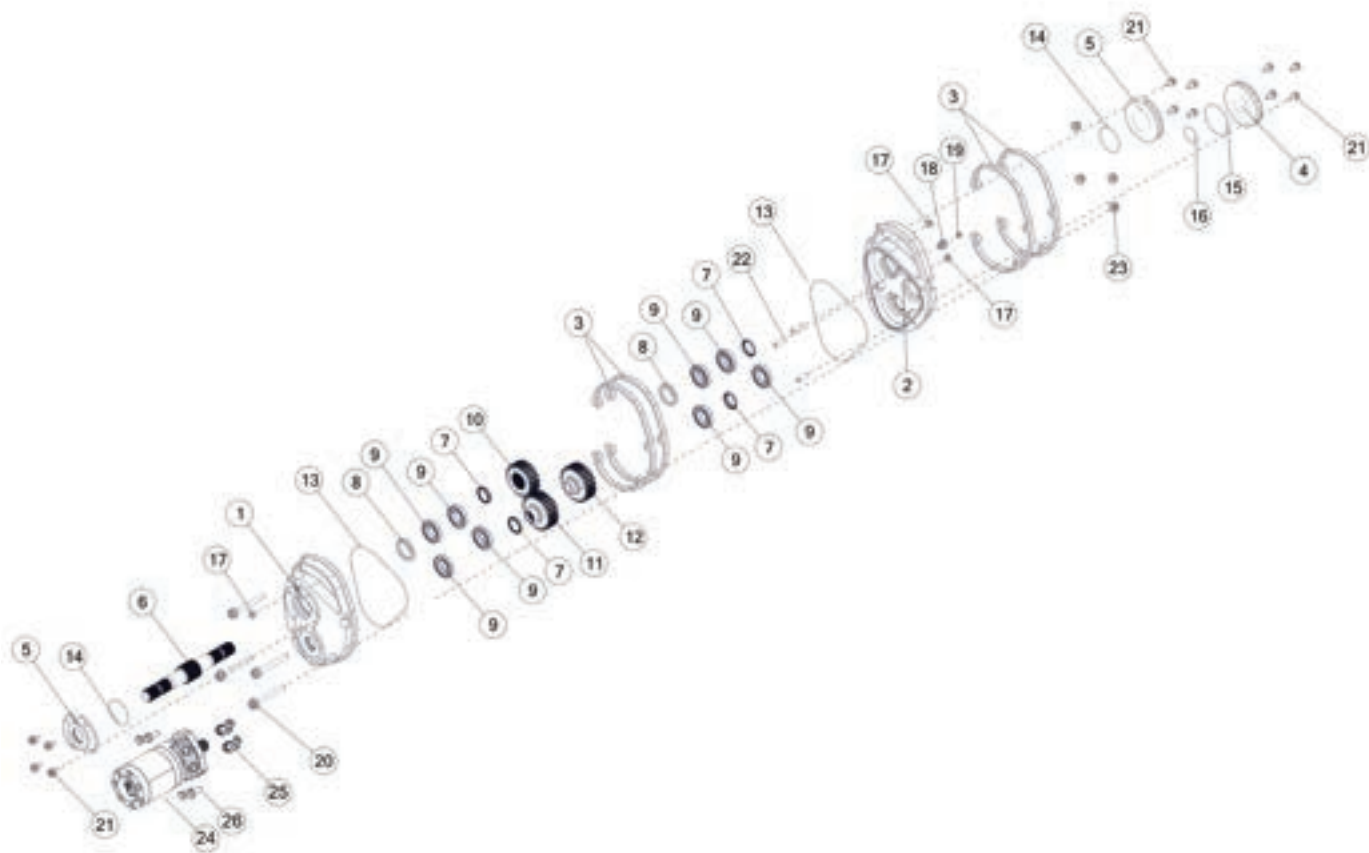




FIGURE 4

GEARBOX ASSEMBLY

REF #	PART #	DESCRIPTION	QTY
1	90978	MACHINED HOUSING	1
2	90979	MACHINED HOUSING	1
3	90980	STEEL RACE	4
4	82415	BLOCK OFF PLATE	1
5	82411	BEARING HOUSING	2
6	82166	OUTPUT SHAFT	1
7	82148	SEAL	4
8	82202	SPACER	2
9	82142	BALL BEARING, 1.500	8
10	82167	SPUR GEAR	1
11	82196	INPUT GEAR	1
12	82165	IDLER SHAFT	1
13	82150	O-RING, 1/8, 269	2
14	82151	O-RING, 1/8, 233	2
15	82330	O-RING, 1/8, 238	1
16	82332	O-RING, 1/8, 224	1
17	SD270	FITTING, PLUG, 6ORB	3
18	83394	FITTING STRAIGHT, 6 ORB, 1/8-27 NPT	1
19	G67	PLUG-VENT 1/8 27 NPT	1
20	YBFB16450	BOLT FLANGE, 1/2 X 4-1/2 G5	4
21	YBFB12075	BOLT FLANGE, 3/8 X 3/4 G5	12
22	82155	DOWL PIN	3
23	YNFG16003	NUT FLANGE, 1/2 GF	4



FIGURE 5

ROLLER ASSEMBLY & COMPONENTS

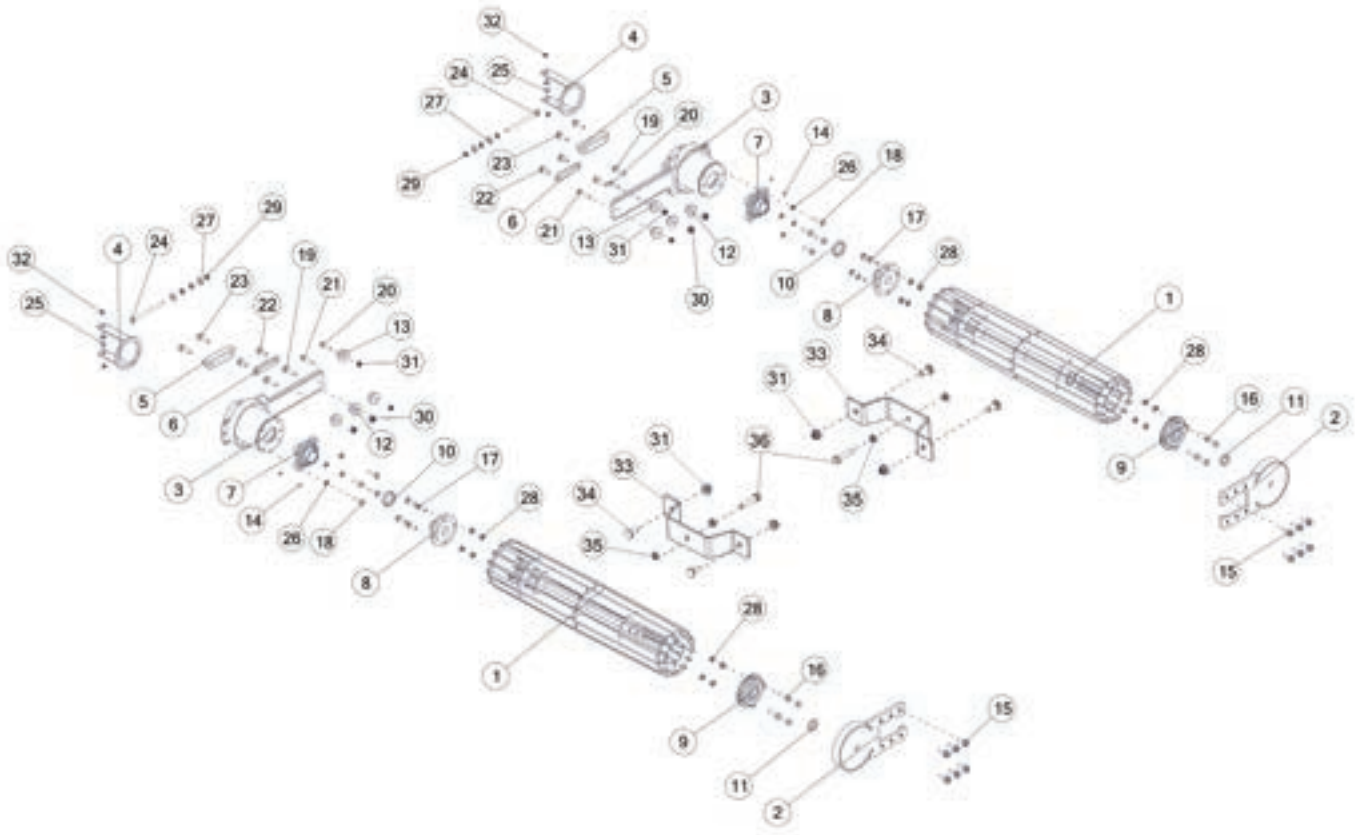




FIGURE 5

ROLLER ASSEMBLY & COMPONENTS

REF #	PART #	DESCRIPTION	QTY
1	82863	ROLLER, FLUTED, A-SECTION	2
2	96602	BEARING SUPPORT	2
3	97366	CROSS CONVEYER, DRIVE	2
4	83177	MOTOR HOLD DOWN BRACKET	2
5	96970	TENSIONING BRACKET	2
6	84034	CLAMP PLATE	2
7	60135	MOTOR HOUSING BEARING	2
*	97595	BEARING, 2	2
8	83707	REEL DRIVE HUB	2
9	TFM45	IDLER BEARING	2
*	97601	HEX BEARING INSERT, 1.25	2
10	88924	SPACER	2
11	HS101626	SPACER	2
12	84054	BEARING BUSHING	4
13	82850	BEARING BUSHING	4
14	YSSO12015	SET SCREW, SOCKET, 3/8-24 X 3/8	4
15	YBFB16150	BOLT FLANGE, 1/2 X 1-1/2 G5	12
16	YBHH16065	BOLT, 1/2"-13 X 2" G5	8
17	YBHH16030	BOLT, 1/2-13 X 1-1/2 G5	8
18	YBHH16055	BOLT, 1/2-13 X 1-3/4 G5	5
19	YBFB16200	BOLT FLANGE, 1/2 X 2 G5	4
20	YBFB12175	BOLT FLANGE, 3/8 X 1-3/4 G5	2
21	YBFB12225	BOLT FLANGE, 3/8 X 2-1/4 G5	2
22	YBFB16125	BOLT FLANGE, 1/2 X 1-1/4 G5	4
23	YBFB16175	BOLT FLANGE, 1/2 X 1-3/4 G5	4
24	YBHH16181	BOLT, 1/2 X 7 G5 FULL THREAD	2
25	YBCR12065	BOLT CARRIAGE, 3/8-16 X 3/4, G5, ZC	4
26	YWLO16005	WASHER, LOCK, 1/2	8
27	YWFL16005	WASHER, FLAT, 1/2 USS	4
28	YNTL16005	NUT HEX, 1/2-13, LKTL, C, ZC	8
29	YNJM16005	NUT JAM, 1/2 A	6
30	YNFG16003	NUT FLANGE, 1/2 GF	4
31	YNFG12006	NUT FLANGE, 3/8 GF	6
32	YNTL12005	NUT HEX, 3/8-16, LKTL, C, ZC	4
33	HS101631	SCRAPER BRACKET	2
34	YBCR12010	BOLT CARRIAGE, 3/8 X 1 G5	4
35	YNJM12005	NUT JAM, 3/8	4
36	YBHH12060	BOLT HEX, 3/8 X 1-3/4 G5	2



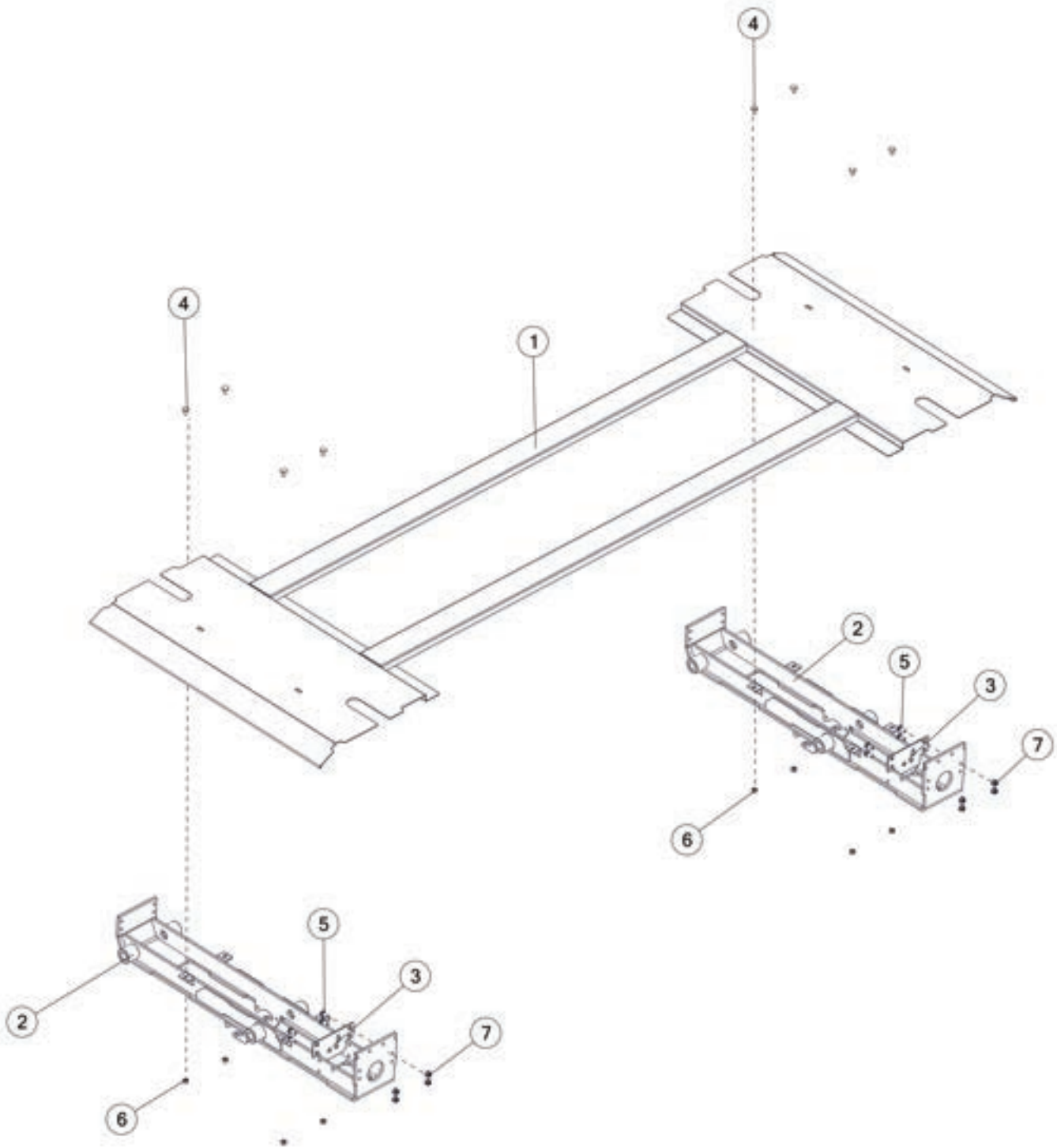




FIGURE 6

BELT PAN & COMPONENTS

REF #	PART #	DESCRIPTION	QTY
1	89907	BELT PAN	1
2	83721	WLDMT, SKID SHOE BASE	2
3	95979	PLATE, SKID SHOE BULK HEAD	2
4	YBCR12065	BOLT, CARR, 3/8-16 X 3/4, GR5, ZC	8
5	YBCR12010	BOLT, CARR, 3/8-16 X 1.00, GR5, ZC	8
6	YNRL12005	NUT, HEX, 3/8-16, LKRS, A, ZC	8
7	YNFG12006	NUT FLG, 3/8 GF	8





FIGURE 7

SKID SHOES & COMPONENTS

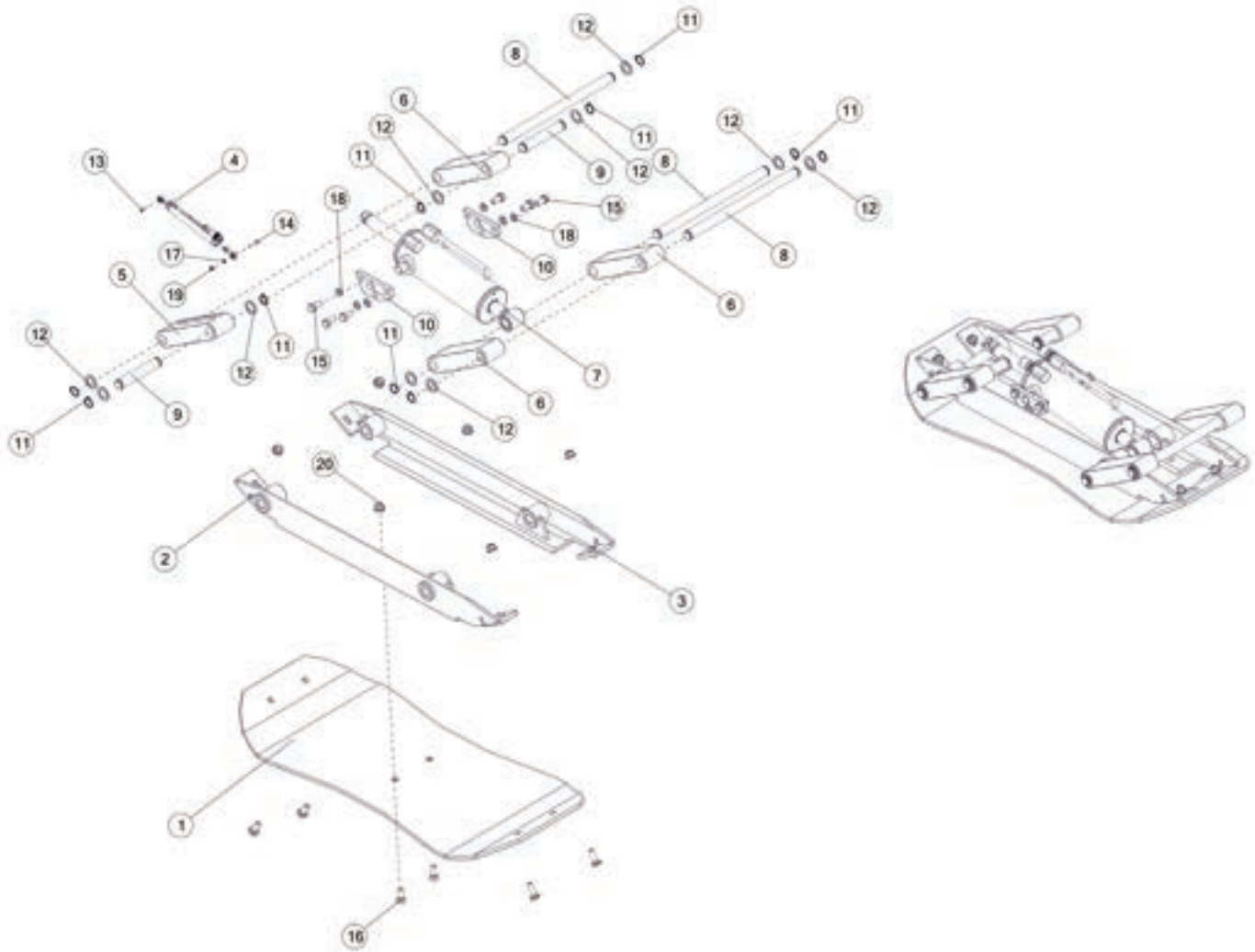




FIGURE 7

SKID SHOES & COMPONENTS

REF #	PART #	DESCRIPTION	QTY
1	71098	SKID SHOE LARGE	1
2	71325	SKID SHOE BRACKET	1
3	71324	SKID SHOE BRACKET	1
4	HS101850	HEAD HEIGHT SENSOR	1
5	79706	BRKT, SENSORED LINKAGE	1
6	86578	BRKT, SKID SHOE LINKAGE	3
7	90462	HYDRAULIC CYLINDER, 3 1/2 X 6	1
*	90463	SEAL KIT	1
8	71062	PIN, TFM LONG	3
9	71058	PIN, TFM SHORT	2
10	57435	TRUNNION PLATE	2
11	3G21	SNAP RING, 1 HEAVY DUTY	10
12	YWFL32010	WASHER FLAT, 1.5 X 1.0 X .070 ZY	10
13	YSHS64005	BOLT SOCKET, #10-24 X 1/2 BO	1
14	YSHS64015	BOLT, SOCKET, #10-24 X 1, BO	1
15	YBHH16010	BOLT, 1/2-13 X 1 G5	2
16	YBPL16015	BOLT, PLOW, 1/2-13 X 1-1/2 G5 ZC	1
17	YWFL64005	WASHER, FLAT, STAINLESS STEEL, 1/-8 #10	1
18	YWLO16005	WASHER, LOCK, 1/2	2
19	YNNY64005	NUT, HEX, #10-24, LKNY, G2, ZC	1
20	YNFG16005	NUT, FLANGE, 1/2-13, LKTL, G, ZC	1



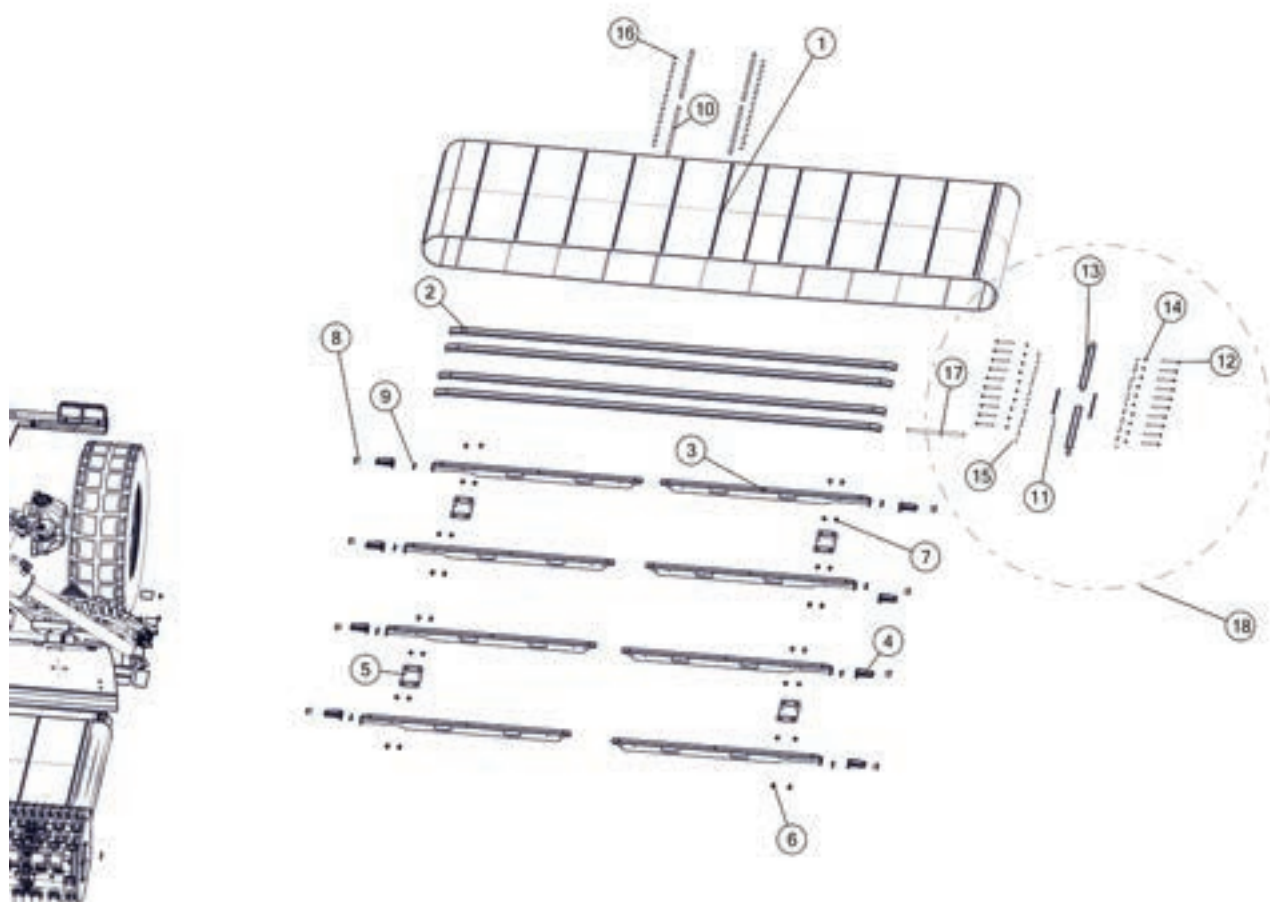
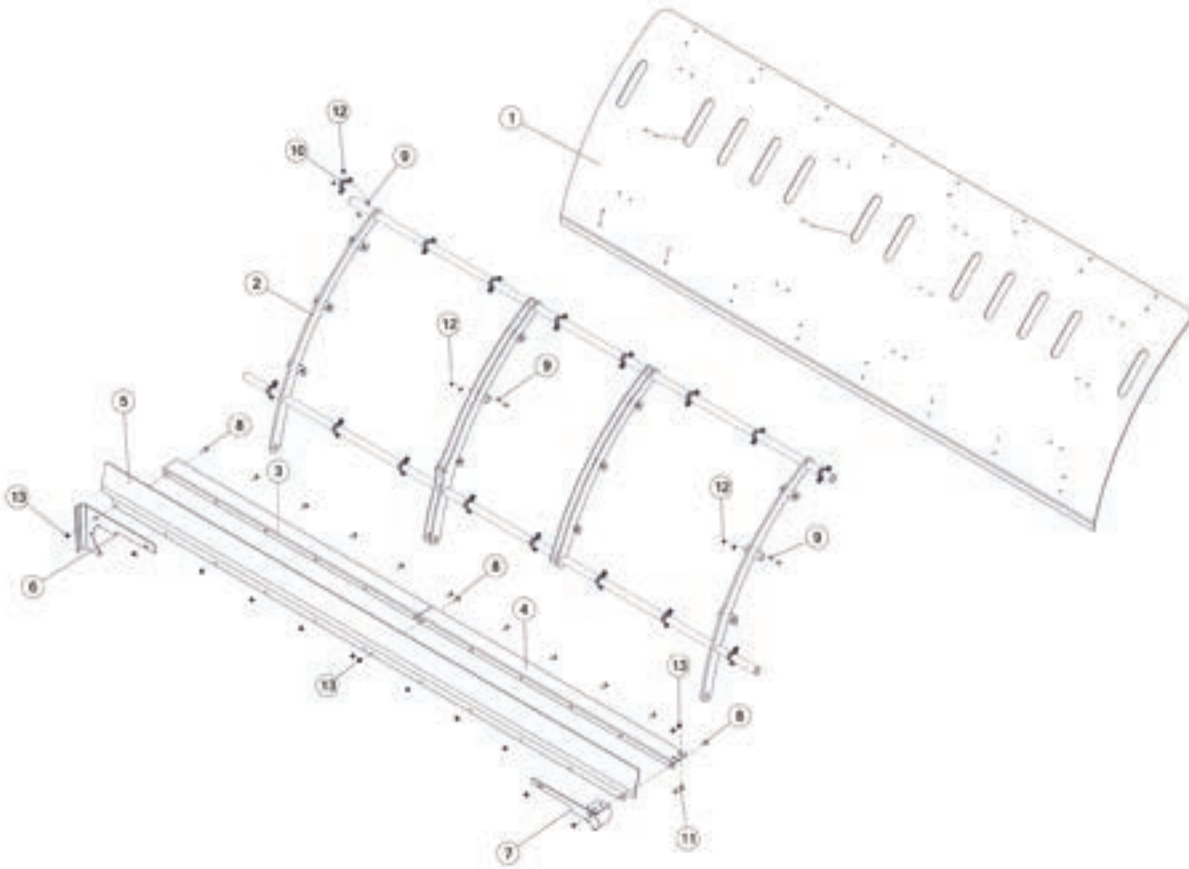




FIGURE 8
BELT & COMPONENTS

REF #	PART #	DESCRIPTION	QTY
1	89899	CONVEYOR BELT, 823 2 PLY	1
2	HS103215	BELT SUPPORT EXTRUSION	4
3	HS103210	12' BELT GUIDE HALF WELDMENT	8
4	59871XB	BELT SUPPORT CASTING	8
5	HS103212	PLATE, BELT SUPPORT	4
6	YBFB12003	BOLT FLG, 3/8 X 1 G5	16
7	YNFG12006	NUT FLG, 3/8 GF	16
8	YBCR10005	BOLT, CARR, SN, 5/16-18 X 1.00, GR2, ZC	16
9	YNFG10005	NUT FLG, 5/16 GF	16
10	75703	BELT CLAMP, RND	4
11	96606	BELT TIE	2
12	YBFB08050	BOLT FLG, 1/4 X 4 G5	20
13	SPMPL06	POLY WEAR STRIP	2
14	YNFG08005	HEX NUT, FLANGED, TOP LOCK, 1/4-20, GR F, ZINC	20
15	YWCU08005	WASHER, CUSTOM, BELLEVILLE, 1/4, 18-8 S/S	40
16	GM234	RIVET, 3/16 DIA, .376 - .50 GRIP	40
17	97190	BREAKER BAR	1
18	97187	BELT ASSEMBLY KIT, KIT INCLUDES REF 11-15,17	1





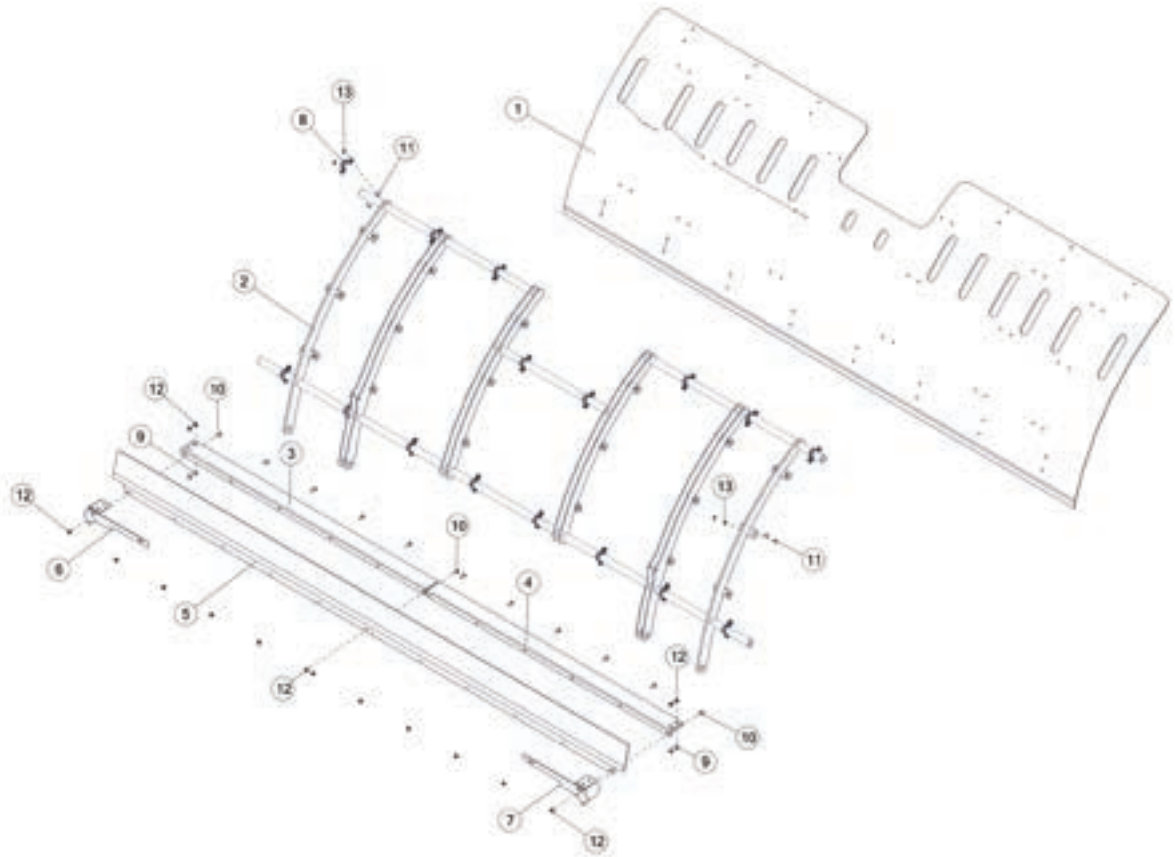
REF #	PART #	DESCRIPTION	QTY
1	HS101781	POLY PANEL, DEFLECTOR	1
2	89928	DEFLECTOR FRAME	1
3	HS101911	DEFLECTOR GUIDE PLATE	1
4	HS102103	DEFLECTOR GUIDE PLATE	1
5	HS101889	BELTING, DEFLECTOR LOWER	1
6	100019	END BRACKET	1
7	HS102032	END BRACKET	1
8	YBCR12010	BOLT, CARR, 3/8-16 X 1.00, GR5, ZC	12
9	YBCR08005	BOLT, CARR, 1/4-20 X 1.00, GR5, ZC	56
10	84177	TUBE CLAMP	16
11	YBCR12060	BOLT, CARR, 3/8-16 X 3/4, GR2, ZC	2
12	YNFG08010	NUT FLG, 1/4 GF	56
13	YNFG12006	NUT FLG, 3/8 GF	14





FIGURE 10

CENTER DEFLECTOR & COMPONENTS



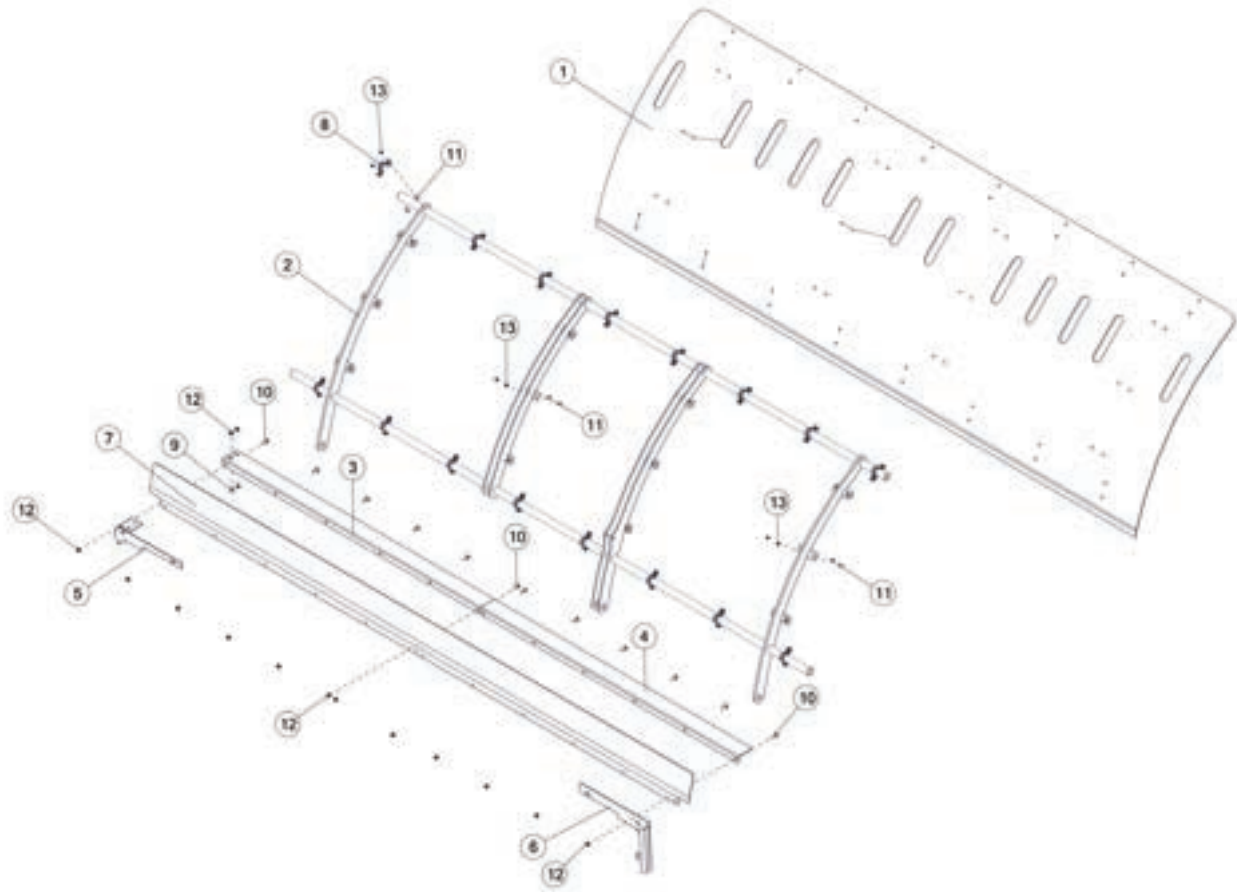
REF #	PART #	DESCRIPTION	QTY
1	HS102097	POLY PANEL, DEFLECTOR	1
2	89927	DEFLECTOR FRAME	1
3	HS102107	DEFLECTOR GUIDE PLATE	1
4	HS102103	DEFLECTOR GUIDE PLATE	1
5	HS101889	BELTING, DEFLECTOR LOWER	1
6	HS102105	END BRACKET	1
7	HS102032	END BRACKET	1
8	84177	TUBE CLAMP	16
9	YBCR12060	BOLT, CARR, 3/8-16 X 3/4, GR2, ZC	4
10	YBCR12010	BOLT, CARR, 3/8-16 X 1.00, GR5, ZC	12
11	YBCR08005	BOLT, CARR, 1/4-20 X 1.00, GR5, ZC	68
12	YNFG12006	NUT FLG, 3/8 GF	16
13	YNFG08010	NUT FLG, 1/4 GF	68





FIGURE 11

RIGHT DEFLECTOR & COMPONENTS

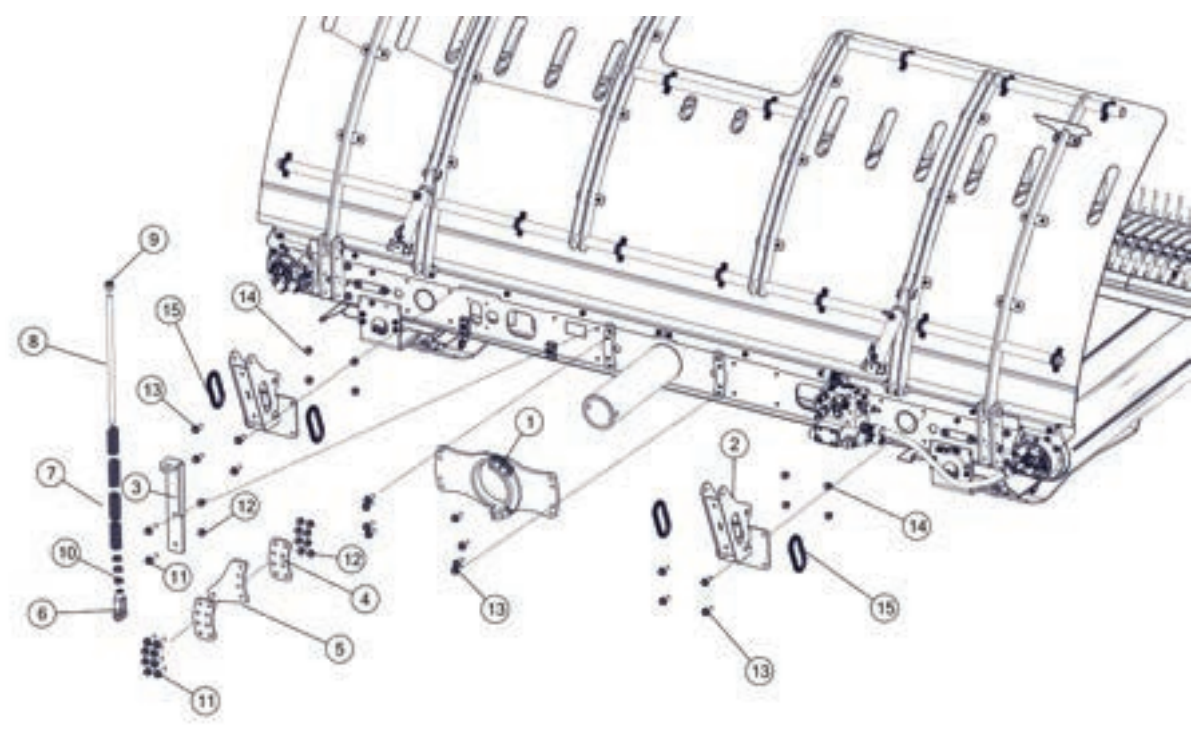


REF #	PART #	DESCRIPTION	QTY
1	HS101781	POLY PANEL, DEFLECTOR	1
2	89926	DEFLECTOR FRAME	1
3	HS102107	DEFLECTOR GUIDE PLATE	1
4	HS101911	DEFLECTOR GUIDE PLATE	1
5	HS102105	END BRACKET	1
6	100016	END BRACKET	1
7	HS101889	BELTING, DEFLECTOR LOWER	1
8	84177	TUBE CLAMP	16
9	YBCR12060	BOLT, CARR, 3/8-16 X 3/4, GR2, ZC	2
10	YBCR12010	BOLT, CARR, 3/8-16 X 1.00, GR5, ZC	12
11	YBCR08005	BOLT, CARR, 1/4-20 X 1.00, GR5, ZC	56
12	YNFG12006	NUT FLG, 3/8 GF	14
13	YNFG08010	NUT FLG, 1/4 GF	56



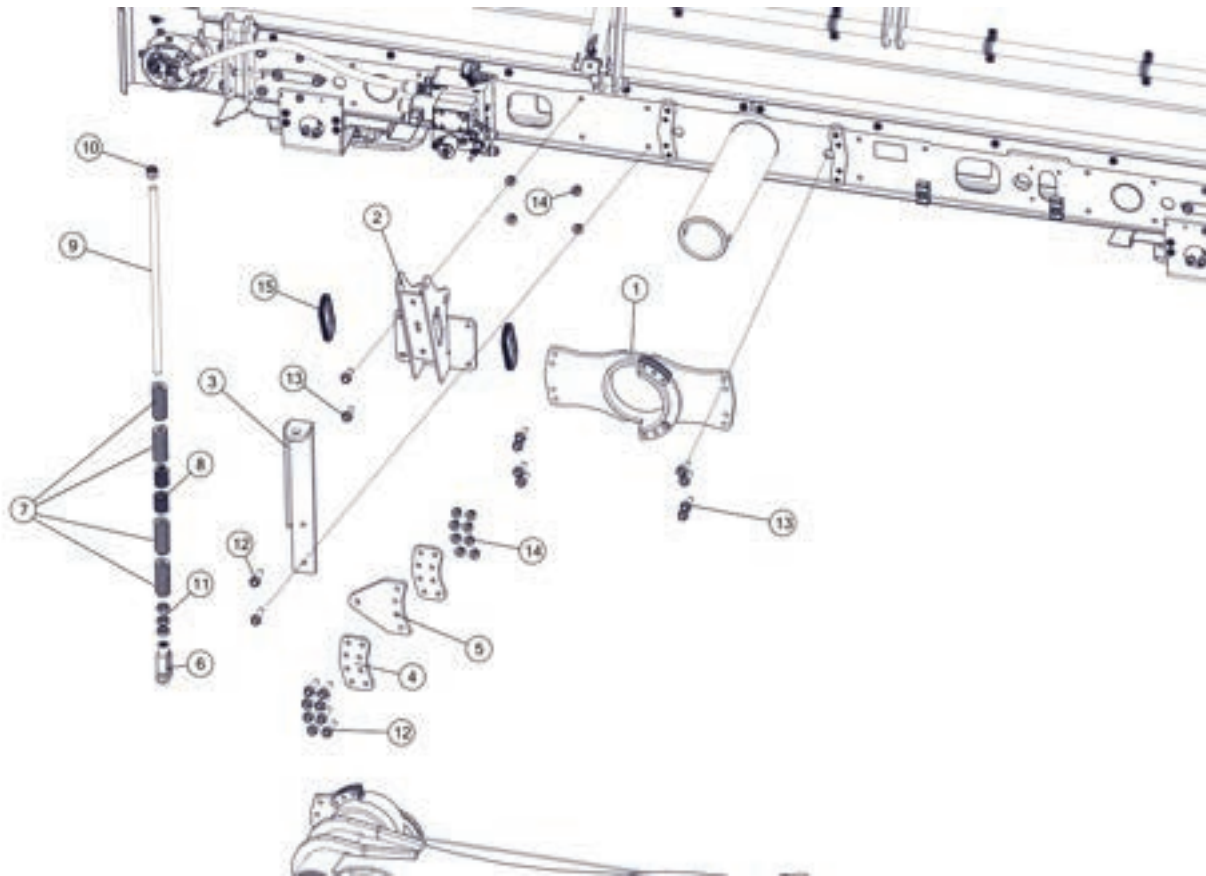


CENTER HEAD MOUNT & COMPONENTS



REF #	PART #	DESCRIPTION	QTY
1	91939	LOCKING BRACKET	1
2	95018	CYLINDER MOUNT	2
3	HS101917	CENTER SPRING BRACKET	1
4	HS101693	BRACKET	2
5	HS101922	ROTOR PLATE	1
6	99911	CLEVIS	1
7	BBS35	COMPRESSION SPRING	4
8	HS101921	THREADED ROD	1
9	YNNY24003	NUT, HEX, 3/4-10, LKNY, G2, ZC	1
10	YNJM24010	NUT JAM, 3/4 A	3
11	YBFB16200	BOLT FLG, 1/2 X 2 G5	10
12	YNFG16003	NUT FLG, 1/2 GF	10
13	YBFB16150	BOLT FLG, 1/2 X 1-1/2 G5	16
14	YNFG16003	NUT FLG, 1/2 GF	8
15	93450	EDGING TWIN FLEX	4

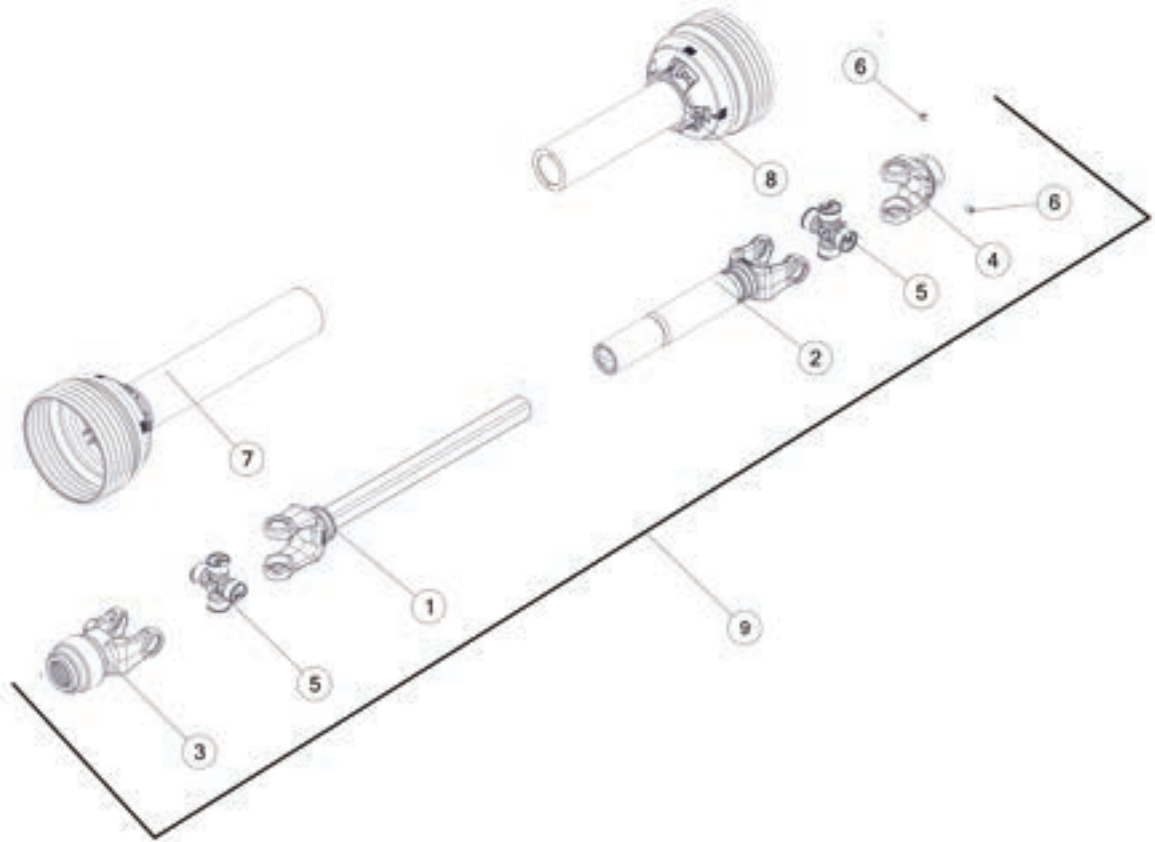




REF #	PART #	DESCRIPTION	QTY
1	92105	LOCKING BRACKET	1
2	83920	CYLINDER MOUNT	1
3	99970	LT SPRING BRACKET	1
4	HS101693	BRACKET	2
5	HS101692	ROTOR PLATE	1
6	99911	CLEVIS	1
7	BBS35	COMPRESSION SPRING	4
8	HS101588	DIE SPRING	2
9	99883	THREADED ROD	1
10	YNNY24003	NUT, HEX, 3/4-10, LKNY, G2, ZC	1
11	YNJM24010	NUT JAM, 3/4 A	3
12	YBFB16200	BOLT FLG, 1/2 X 2 G5	10
13	YBFB16150	BOLT FLG, 1/2 X 1-1/2 G5	10
14	YNFG16003	NUT FLG, 1/2 GF	12
15	93450	EDGING TWIN FLEX	2

PTOs and OPTIONS

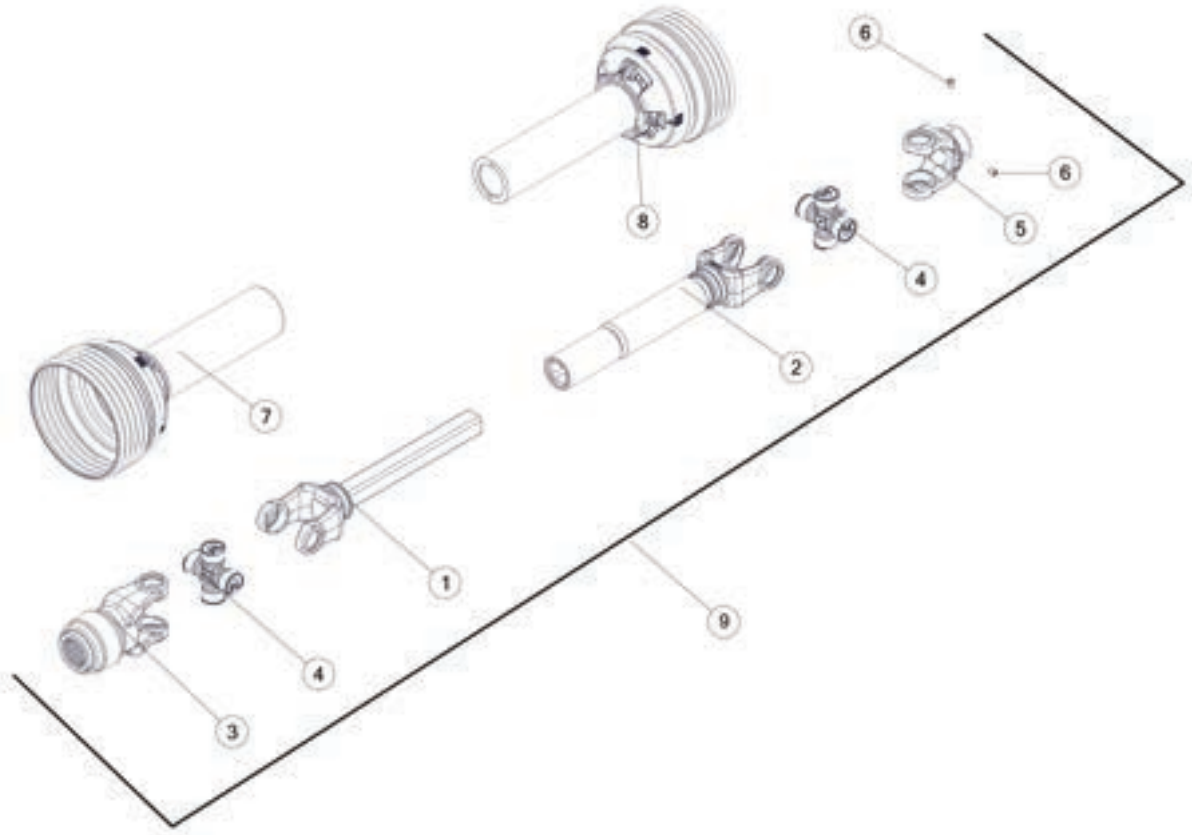




REF #	PART #	DESCRIPTION	QTY
1	91876	YOKE 35 SHAFT, FRONT	1
2	79781	YOKE, TUBE, SLIP SLEEVE	1
3	55N69	ASSY, YOKE, 35, SLIDE LOCK	1
4	79325	YOKE, 1-1/4 X 5/16	1
5	16SV179	ASSY, CROSS KIT, 35R	2
6	YSKP12025	SET SCRW, SCKE, KNURL CUP PT, 3/8-16 X 3/8	2
7	91877	PTO OUTER GUARD	1
8	79780	PTO INNER GUARD	1
9	91888	COMPLETE PTO, 1-3/4 1000 RPM	1

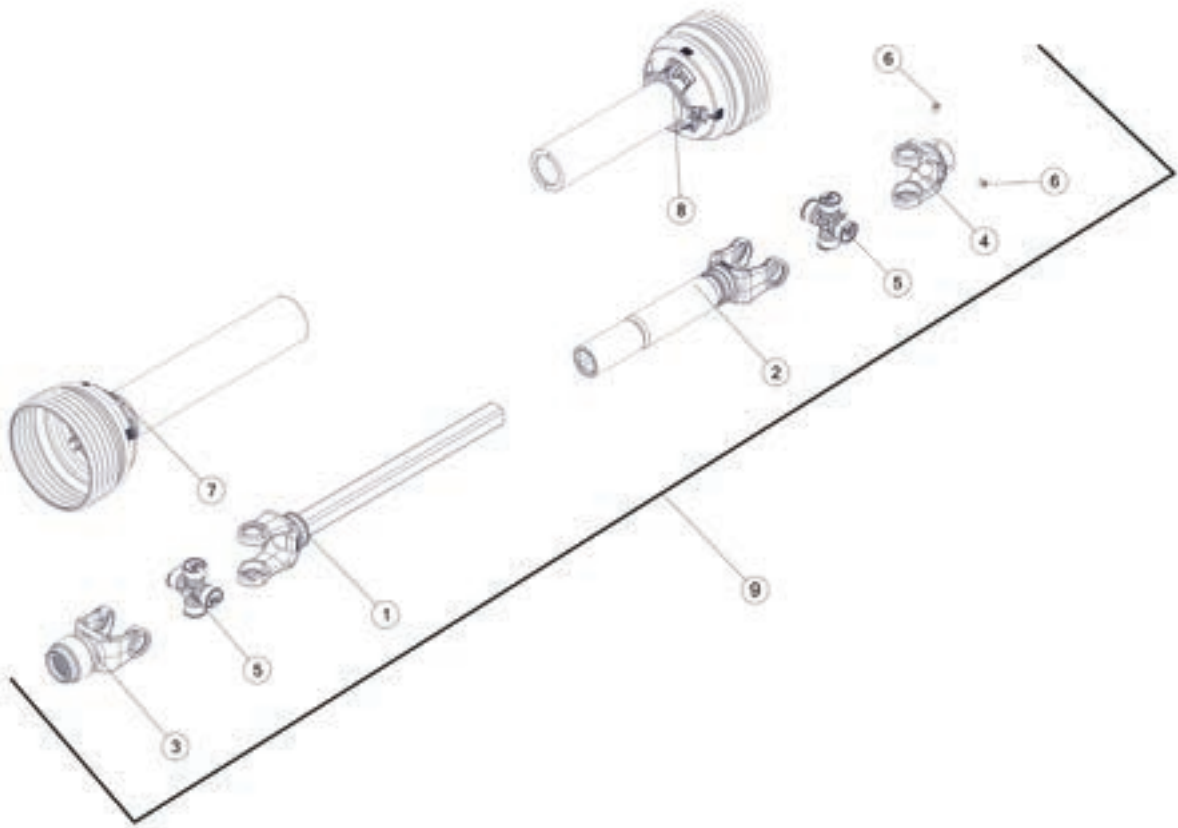


FIGURE 2
UFO1034PTO
PTO 1-3/4 1000 RPM STANDARD



REF #	PART #	DESCRIPTION	QTY
1	79321	YOKE, SHAFT, FRONT	1
2	79322	YOKE, TUBE, SLIP SLEEVE	1
3	55N69	ASSY, YOKE, 35, SLIDE LOCK	1
4	16SV179	ASSY, CROSS KIT, 35R	2
5	79325	YOKE, 1-1/4 X 5/16	1
6	YSKP12025	SET SCRW, SCKT, KNURL CUP PT, 3/8-16 X 3/8	2
7	79326	PTO OUTER GAURD	1
8	79327	PTO INNER GUARD	1
9	79312	PTO, 1000, 1 3/4-20	1

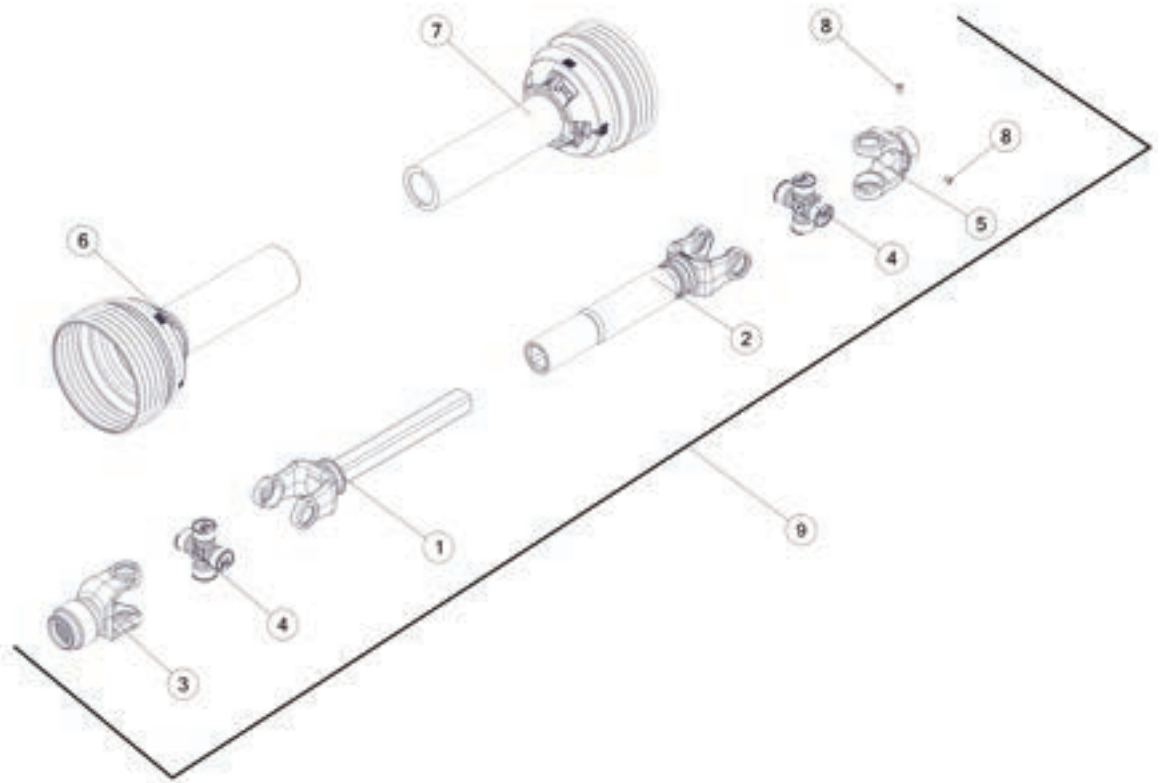




REF #	PART #	DESCRIPTION	QTY
1	91876	YOKE 35 SHAFT, FRONT	1
2	79781	YOKE, TUBE, SLIP SLEEVE	1
3	55N68	ASSY, YOKE, 35, SLIDE LOCK	1
4	79325	YOKE, 1-1/4 X 5/16	1
5	16SV179	ASSY, CROSS KIT, 35R	2
6	YSKP12025	SET SCRW, SCKT, KNURL CUP PT, 3/8-16 X 3/8	2
7	91877	PTO OUTER GUARD	1
8	79780	PTO INNER GUARD	1
9	91879	COMPLETE PTO, 1-3/8 1000 RPM	1



FIGURE 4
UFO1038PTO
PTO 1-3/8 1000 RPM STANDARD



REF #	PART #	DESCRIPTION	QTY
1	79779	YOKE, SHAFT, FRONT	1
2	79781	YOKE, TUBE, SLIP SLEEVE	1
3	55N68	ASSY, YOKE, 35, SLIDE LOCK	1
4	16SV179	ASSY, CROSS KIT, 35R	2
5	79325	YOKE, 1-1/4 X 5/16	1
6	79778	PTO OUTER GAURD	1
7	79780	PTO INNER GUARD	1
8	YSKP12025	SET SCRW, SCKT, KNUURL CUP PT, 3/8-16 X 3/8	2
9	79311	PTO, 1000, 1 3/8-21	1



FIGURE 5
OPTIONAL IN CAB DISPLAY
(TFOICC)

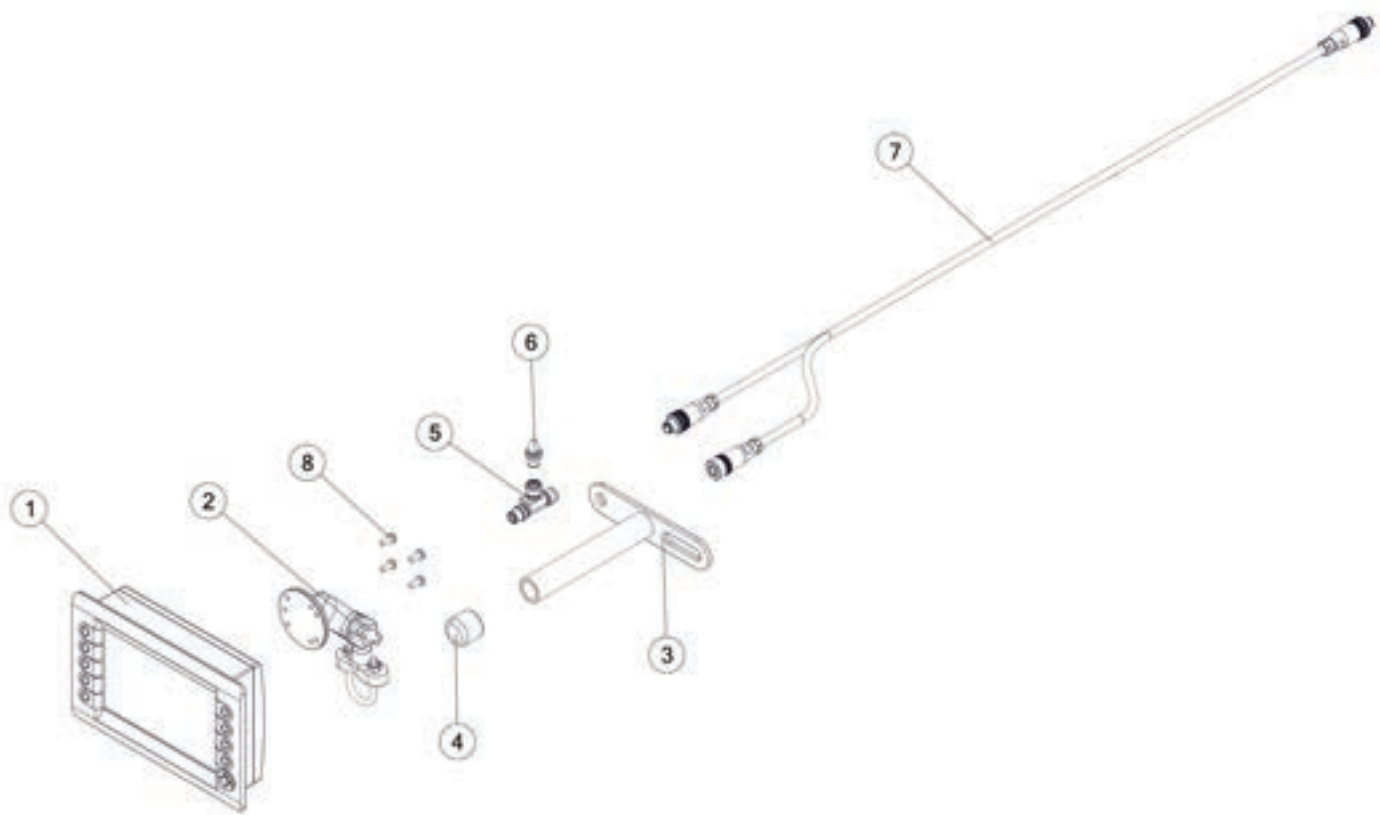




FIGURE 5
OPTIONAL IN CAB DISPLAY
(TFOICC)

REF #	PART #	DESCRIPTION	QTY
1	HS102040	DISPLAY MODULE	1
2	TFM105	MOUNT, CTRL CONSOLE, RAM, TFM	1
3	PTMWE66	CONTROL BOX BRACKET ASSY	1
4	TFM104	PLUG	1
5	75447	CAN SPLITTER	1
6	75449	RESISTOR	1
7	HS102036	CAB HARNESS	1
8	YSPP65012	MACHINE SCREW, #5 - 0.8 X 12MM	4





FIGURE 6
UF6136 GREASE KIT OPTION
(DEALER INSTALLED)

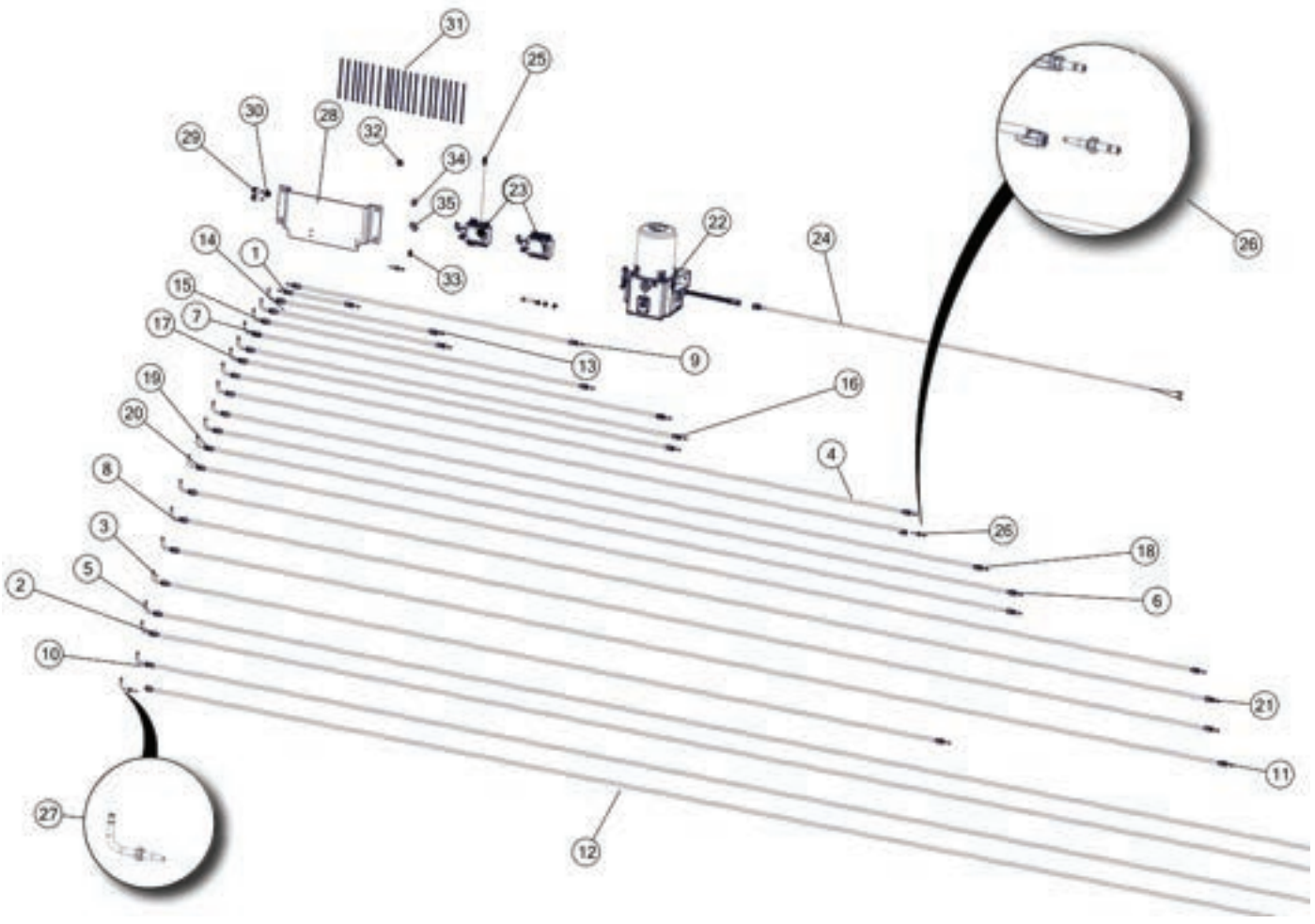




FIGURE 6

UF6136 GREASE KIT OPTION (DEALER INSTALLED)

REF #	PART #	DESCRIPTION	QTY
1	HS101092	GREASE HOSE, 10.25	1
2	HS102624	GREASE HOSE, 321.50	1
3	HS103338	GREASE HOSE, 122.88	1
4	HS102619	GREASE HOSE, 107.00	2
5	HS103336	GREASE HOSE, 221.94	1
6	HS102625	GREASE HOSE	1
7	HS102616	GREASE HOSE, 65.75	2
8	HS102626	GREASE HOSE	1
9	HS101084	GREASE HOSE, 43.5	1
10	HS102178	GREASE HOSE 270.00	1
11	HS102621	GREASE HOSE, 165.00	1
12	HS102149	GREASE HOSE 275.00	1
13	HS102630	GREASE HOSE, 27.00	1
14	HS102629	GREASE HOSE, 29.31	1
15	HS102632	GREASE HOSE, 52.50	1
16	HS102628	GREASE HOSE, 69.19	1
17	HS102623	GREASE HOSE, 69.38	1
18	HS102618	GREASE HOSE, 119.50	1
19	HS102627	GREASE HOSE, 127.06	1
20	HS102620	GREASE HOSE, 156.75	1
21	HS102622	GREASE HOSE, 160.25	1
22	98855	12V GREASE PUMP	1
23	98770	10 PORT VALVE	2
24	HS102305	POWER HARNESS	1
25	98783	OUTLET ADAPTER	21
26	98786	SHORT FIELD INSTALL	14
27	98785	90° FIELD INSTALL	9
30	98859	VALVE BRACKET	1
31	YBFB12003	BOLT FLG, 3/8 X 1	6
32	YNFG12006	NUT FLG, 3/8 GF	6
33	CIZT114	ZIPTIE, 5.50 X .14 X .03	20
34	EFAT005	ELEC, FUSE, ATO, 5 AMP	1
35	HS103249	PIPE NIPPLE	1
36	88827	FITTING STRAIGHT, 1/8NPT, 1/8NPT	1
37	90684	FITTING 90, 1/8NPT, 1/8NPT	1





Manufactured By:
H&S MANUFACTURING CO., INC.
2608 S. HUME AVE. MARSHFIELD, WI 54449
(715) 387-3414 | hsmfgco.com

