

H&S

PARTS BOOK

W3143 MANURE SPREADER



Revision #07

Starting Ser. #121MSW4001

HSMFG0920

PART#72649

Manufactured by
H&S MANUFACTURING CO., INC.
2608 S. HUME AVE. MARSHFIELD, WI 54449
(715) 387-3414 | hsmfgco.com



CONTENTS

Instructions for Ordering Parts	1
Figure 1 - Beater Assembly.	2-3
Figure 2 - Hub,Spindle and Box Parts.	4-5
Figure 3 - Front Shield and Drive Assembly.	6-9
Figure 4 - Back Shields and Drive Assembly.	10-13
Figure 5 - Hydraulic Endgate Assembly.	14-15
Figure 6 - Apron Chain Assembly.	16-17
Figure 7 - Worm Gearbox Assembly.	18-19
Figure 8 - Bevel Gearbox	20-21
Figure 9 - Hydraulic Cylinder.	22-23
Figure 10 - PTO Assembly.	24-25
Figure 11 - PTO Assembly (1000RPM)	26-27
Figure 12 - Optional Second Beater	28-31
Figure 13 - Optional Hydraulic Drive Assembly	32-33
Figure 14 - Optional Electric Control for Hydraulic Drive.	34-35
Figure 15 - Electric Control.	36-37
Figure 16 - Optional Light Kit	38-39
Figure 17- Optional Rear Pan	40-31
Parts Notes	42

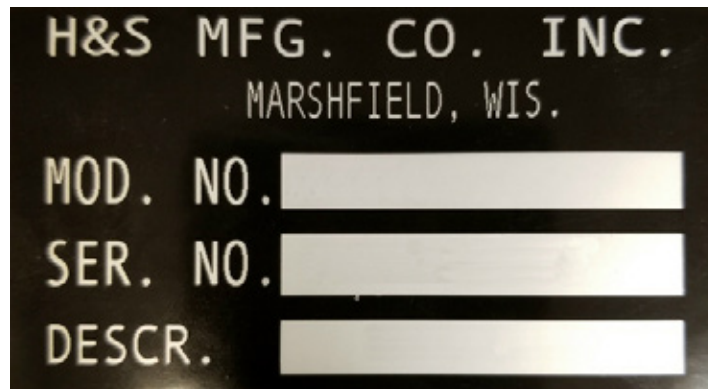
INSTRUCTIONS FOR ORDERING PARTS

All service parts should be ordered through your authorized H&S dealer. He will be able to give you faster service if you will provide them with the following:

1. Model & Serial Number - Both can be located on the front PTO bearing support mount.
2. All references to left or right apply to the machine as viewed from the rear.
3. Parts should not be ordered from illustration only. Please order complete part number.
4. If your dealer has to order parts - give shipping instructions:

VIA truck - large pieces (please specify local truck lines)

VIA United Parcel Service (include full address)



PLEASE RECORD NUMBERS FOR YOUR UNIT FOR QUICK REFERENCE

ABOUT IMPROVEMENTS

H&S IS CONTINUALLY STRIVING TO IMPROVE IT'S PRODUCTS

We must therefore, reserve the right to make improvements or changes whenever it becomes practical to do so, without incurring any obligation to make changes or additions to the equipment previously sold.

FIGURE 1 BEATER & PAN ASSEMBLY

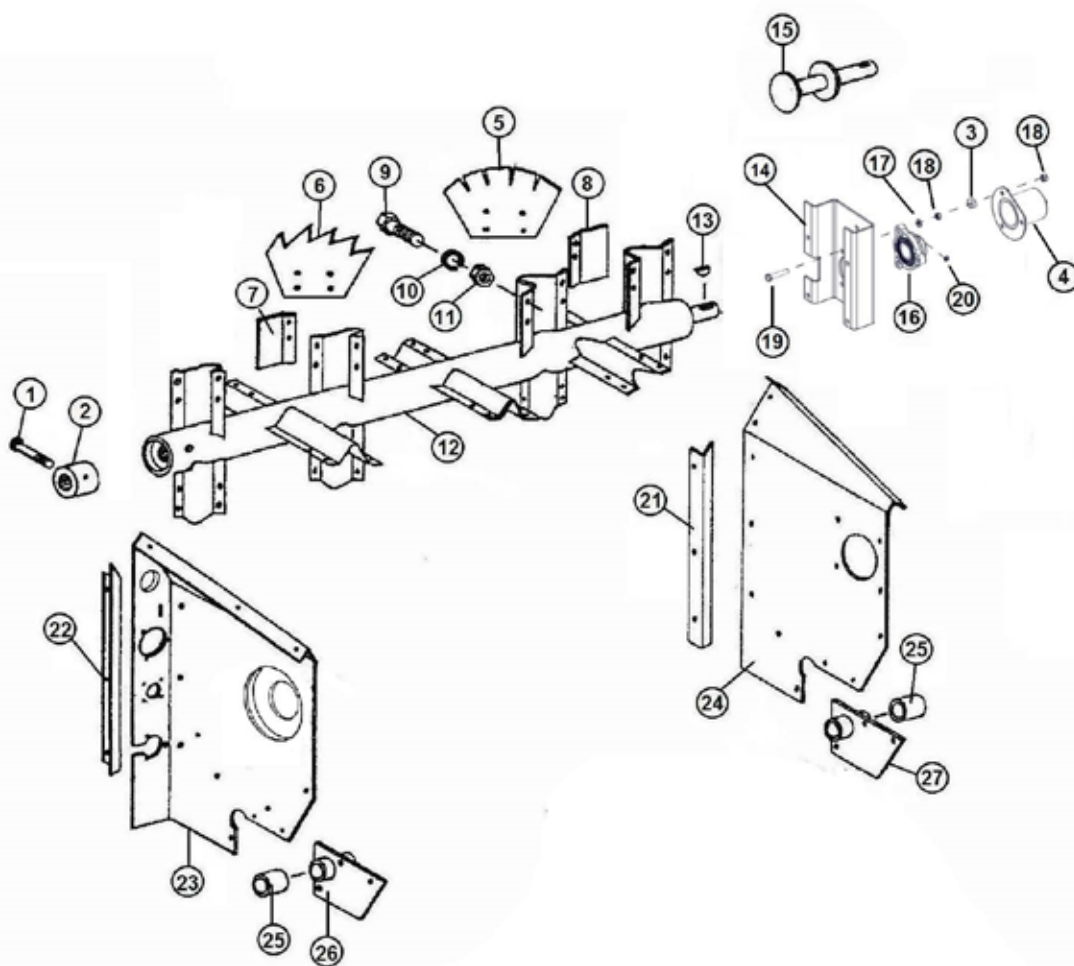


FIGURE 1

BEATER & PAN ASSEMBLY

<u>ITEM</u>	<u>QTY</u>	<u>PART#</u>	<u>DESCRIPTION</u>
1	1	YBHH10130	BOLT HEX , 5/16 X 5 G5
2	1	43NW1	SPLINED BEATER INSERT
3	3	82944	BEARING COVER
4	1	82910	BEARING COVER
5	6	23N276	BEATER BLADE, HARDENED
6	8	23N277	BEATER BLADE, HARDENED
7	1	23N7	BEATER BLADE WIPER LH
8	1	23N8	BEATER BLADE WIPER RH
9	56	YBHH16045	BOLT HEX, 1/2 X 1-1/4 G5
10	56	YWLO16005	WASHER LOCK , 1/2
11	56	YNTL16005	NUT HEX, TOP LOCK, 1/2
12	1	81162	BEATER
13	1	5B9	WOODRUFF KEY, 3/8 X 1-1/4
14	1	23N10	BEATER SHAFT SUPPORT
15	1	80791	BEATER STUB SHAFT
16	1	80725	BEATER BEARING DUTY)
17	3	YWFL12005	WASHER, 3/8
18	6	YNFG12006	NUT FLANGE, 3/8
19	3	YBFB12200	BOLT FLANGE, 3/8 X 2
20	1	RG21	GREASE ZERK, 45
21	1	37N1	POLY HOLDDOWN, RH SIDE
22	1	75596	POLY HOLDDOWN, LH MAIN
23	1	43NW3	PANEL LH
24	1	37N4	PANEL RH
25	2	23N17	DRIVE SHAFT BUSHING
26	1	37N78	DRIVE SHAFT BRACKET LH
27	1	23N19	DRIVE SHAFT BRACKET RH

FIGURE 2 HUB, SPINDLE & BOX PARTS

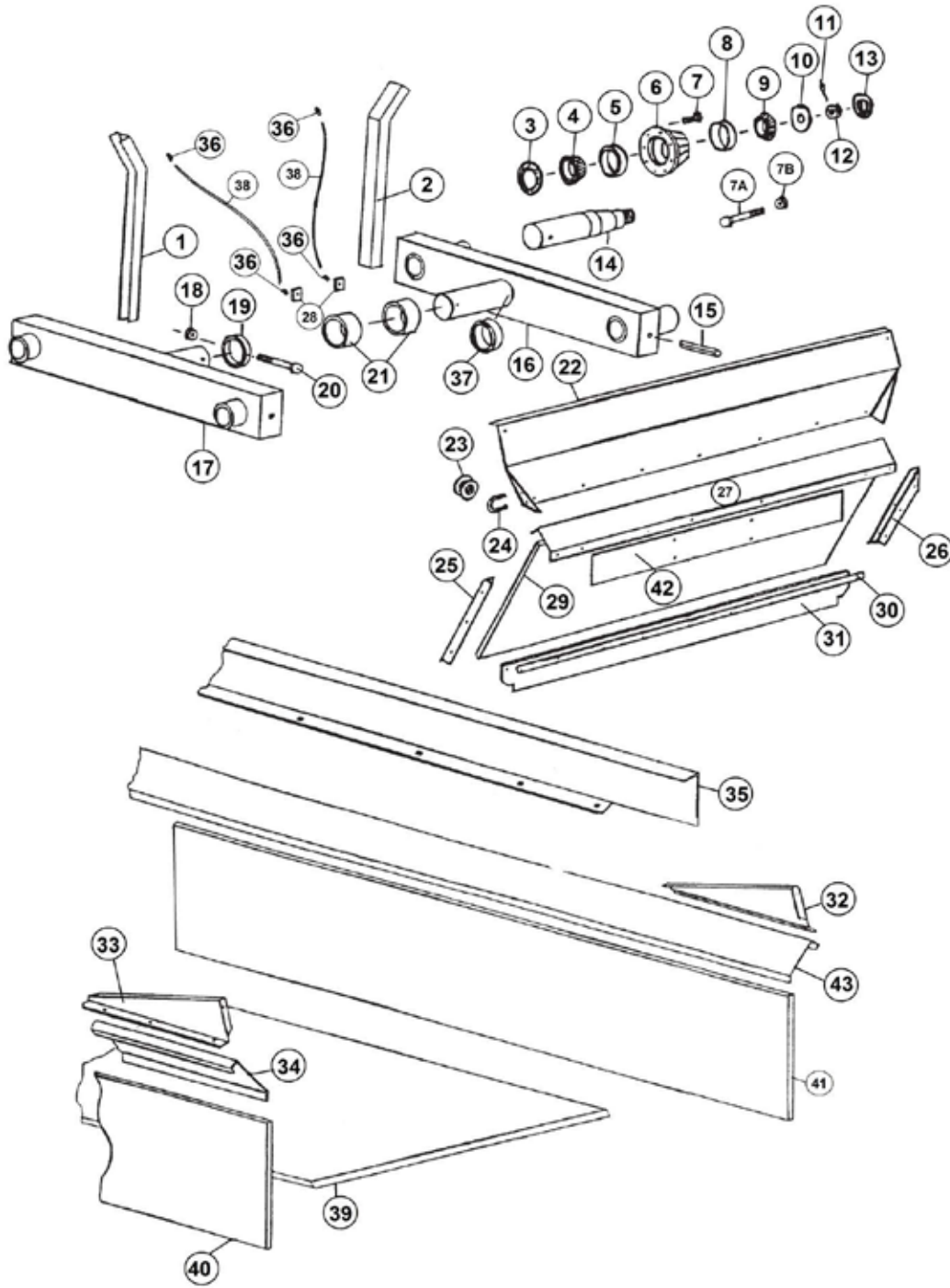


FIGURE 2

HUB, SPINDLE & BOX PARTS

<u>ITEM</u>	<u>QTY</u>	<u>PART#</u>	<u>DESCRIPTION</u>
1	1	37N6	SIDE STAKE RH
2	1	37N7	SIDE STAKE LH
3	4	B90	SEAL
4	4	B91	INNER BEARING
5	4	B91A	INNER RACE
6	4	26G4A	HUB ASSEMBLY
7A	32	YBSD20005	BOLT STUD, 5/8 - 18 X 2 1/4
7B	32	YNWL20005	WHEEL NUT, 5/8
8	4	B94A	OUTER RACE
9	4	B94	OUTER BEARING
10	4	YWFL28005	WASHER FLAT, 7/8
11	4	YPCT05020	COTTER PIN, 5/32 X 1-3/4
12	4	YNLS28005	NUT HEX, SLOTTED, 7/8
13	4	B2	HUB CAP
14	4	16SV203	SPINDLE, 2-1/2 X 18-1/2
*	4	37N8	SPINDLE FOR 8 X 20 WHEEL
15	4	YPEX16020	EXPANSION PIN, 1/2 X 4
16	1	37N85	AXLE LH
17	1	37N84	AXLE RH
18	2	YNL16005	NUT HEX, TOP LOCK, 1/2
19	2	37N86	RING
20	2	YBHH16150	BOLT HEX, 1/2 X 4-3/4 G5
21	2	70150	POLY BUSHING
22	1	23N34	FRONT FLARE
23	1	F33	SIDE CABLE GUIDE
24	1	YBPU08005	PIPE U BOLT, 1/4 X 3/4
25	1	37N12	PLYWOOD ANGLE RH
26	1	37N13	PLYWOOD ANGLE LH
27	1	23N176	FRONT END BRACE
28	2	16V9	GREASE ZERK BRACKET
29	1	37N65A	FRONT GATE PLYWOOD W/FIBERGLASS
30	1	23N40	STRAP FOR RUBBER
31	1	23N41	FRONT GATE RUBBER
32	1	23N42	SPLASH GUARD LH
33	1	23N43	SPLASH GUARD RH
34	1	43N3	SIDE FLARE RH
35	1	43N1	SIDE EXTENSION LH
36	4	S47	GREASE LINE FITTING
37	2	70162	POLY BUSHING
38	2	31N43	GREASE LINE
39	1	37N81	SOLID POLY FLOOR
40	1	37N67A	SIDE PLYWOOD W/FIBERGLASS LH
41	1	37N68A	SIDE PLYWOOD W/FIBERGLASS RH
42	1	37N51	FRONT PANEL
43	1	43N4	SIDE FLARE LH
*	4	12V36	WHEEL, 16.1 X 14, 8 BOLT
*	4	23N179A	WHEEL, 8.25

***MEANS NOT SHOWN**

FIGURE 3 **FRONT SHIELD & DRIVE ASSEMBLY**

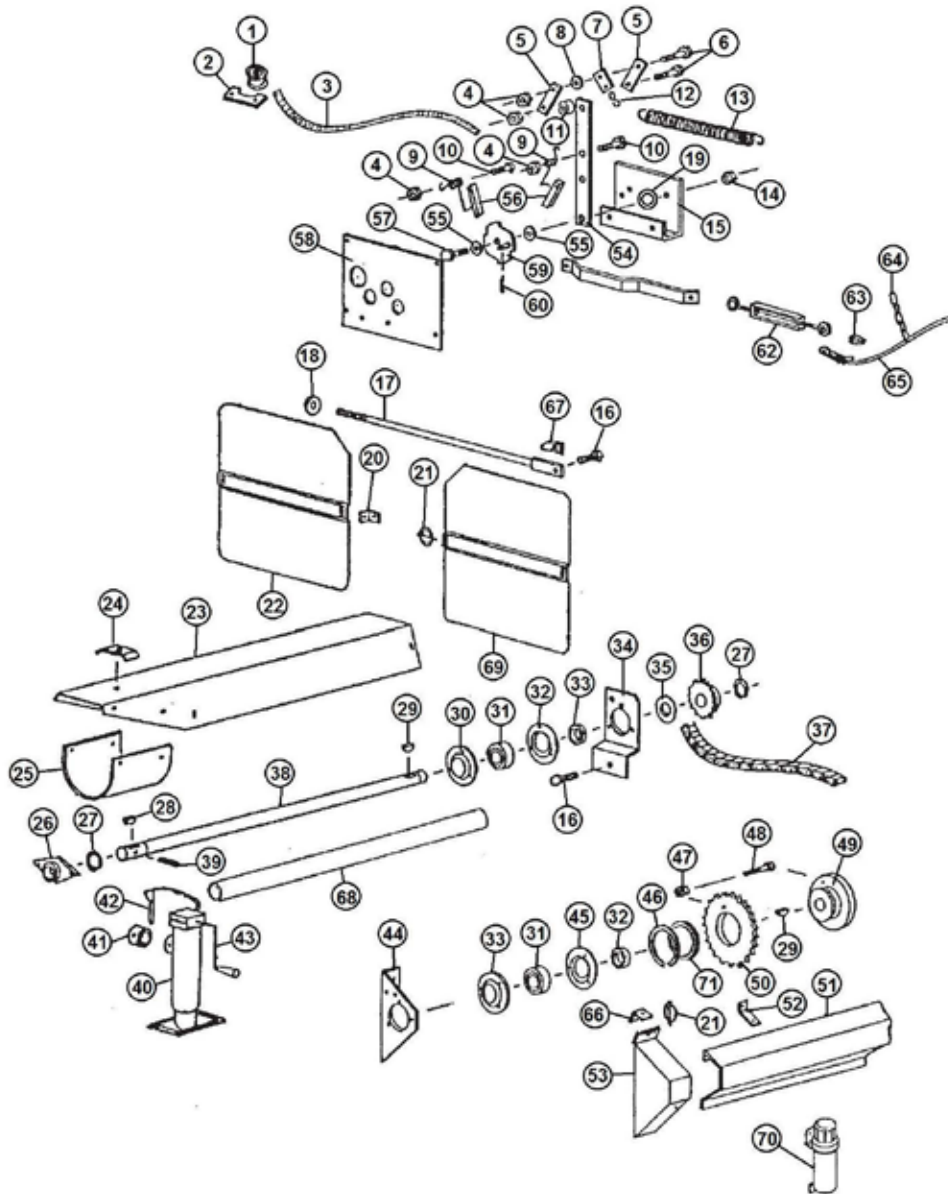


FIGURE 3

FRONT SHIELD & DRIVE ASSEMBLY

<u>ITEM</u>	<u>QTY</u>	<u>PART#</u>	<u>DESCRIPTION</u>
1	1	F33	CABLE
2	1	23N182	GUIDE BRACKET
3	1	77192	ROPE (15)
4	4	YNTL12005	NUT HEX, TOP LOCK, 3/8
5	2	23N184	BRACKET
6	2	YBHH12035	BOLT HEX, 3/8 X 1-1/4 G5
7	1	23N185	SPRING BRACKET
8	1	YWFL12005	WASHER FLAT, 3/8
9	2	23N186	DOG SPRING
10	1	YBHH12010	BOLT HEX, 3/8 X 1 G5
11	1	D107	SHIELD SPACER
12	1	X79	S-HOOK
13	1	23N187	SPRING
14	1	YNHX16005	NUT HEX , 1/2
15	1	23N188	SHIFTER BRACKET
16	2	YBHH16045	BOLT HEX, 1/2 X 1-1/4 G5
17	1	23N63	TIGHTENER ROD
18	1	F129	WASHER, TIGHTENER
19	1	31N51	WASHER, SHIFTER SPACER
20	1	F92	SHIELD BRACKET
21	2	S122	LYNCH PIN W/LANDYARD
22	1	23N305	FRONT SHIELD
23	1	23N66	SHIELD
24	1	23N67	HOSE BRACKET
*	1	HE42	HYDRAULIC DRIVE BRACKET
25	1	F54	SHIELD
26	1	12N29	BEARING
27	2	F73	SNAP RING
28	1	5B10	KEY, 1/4 X 1
29	1	5B9	KEY, 3/8 X 1-1/4
30	1	F114	FLANGE, 1-1/4 STRAIGHT ZERK
31	4	12N122	BEARING W/LOCK COLLAR
32	1	12N122	BEARING W/LOCK COLLAR
33	2	F14	FLANGE
34	1	23N68	FRONT ADJUSTMENT PLATE
35	1	23N69	SPACER

***MEANS NOT SHOWN**

FIGURE 3 **FRONT SHIELD & DRIVE ASSEMBLY**

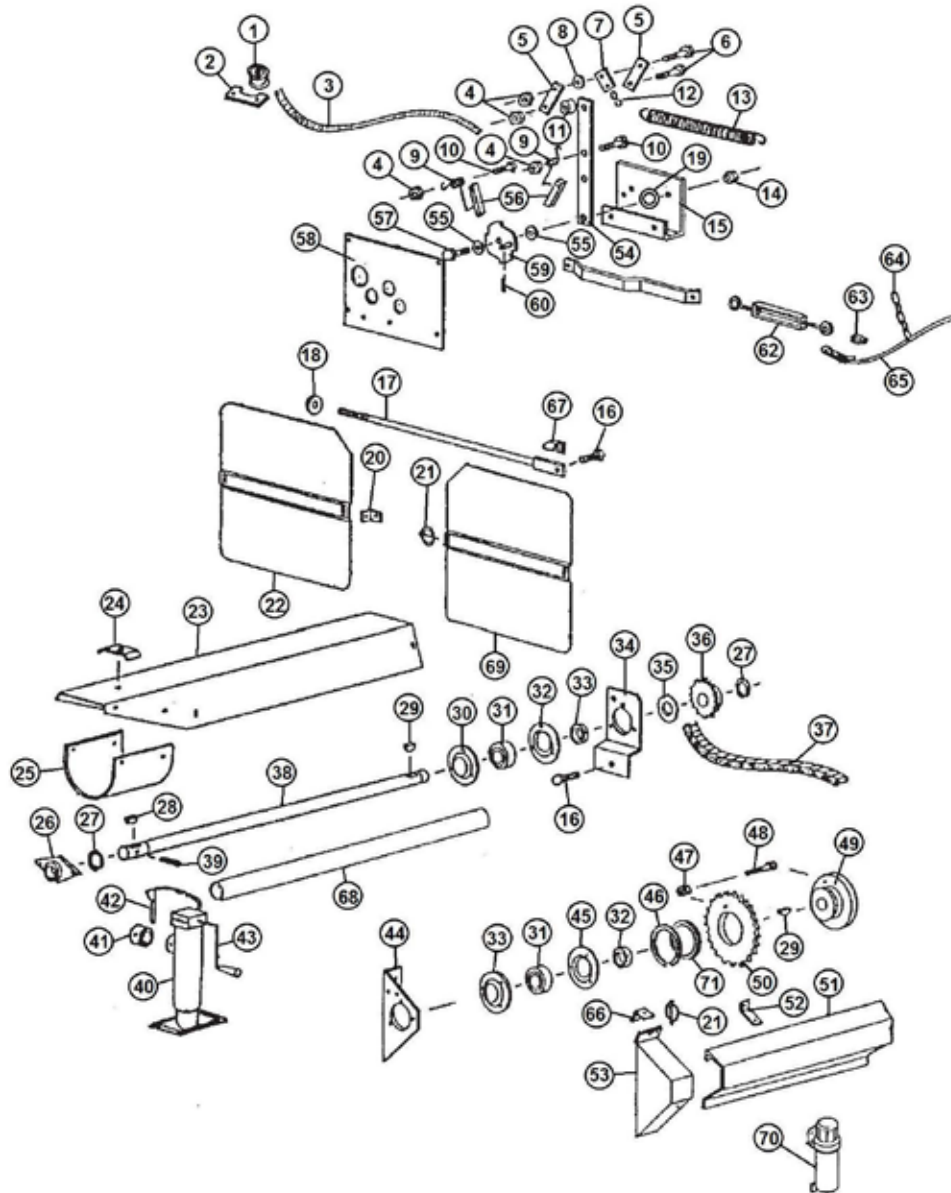


FIGURE 3

FRONT SHIELD & DRIVE ASSEMBLY

<u>ITEM</u>	<u>QTY</u>	<u>PART#</u>	<u>DESCRIPTION</u>
36	1	43NW15	SPROCKET (19T)
*	1	43NW21	SPROCKET (11T) (OPTIONAL 1000 RPM)
37	1	43NW6	ROLLER CHAIN (#80, 92P)
38	1	43NW7	FRONT SHAFT
39	1	YPEX10020	EXPANSION PIN, 5/16 X 2-1/4
40	1	27N49	JACK
*	1	12N120	JACK GEAR REPAIR KIT
41	1	27N51	JACK MOUNT
42	1	27N50	JACK PIN
43	1	12N119	HANDLE
*	1	12N118	REPLACEMENT BEARING
44	1	23N74	BEARING PLATE
45	1	F114A	FLANGE
46	1	23N189	SNAP RING
47	1	YNTL12005	NUT HEX, TOP LOCK, 3/8
48	1	YBHH12025	BOLT HEX, 3/8 X 1-1/2 G5
49	1	45N71	SHEAR HUB
50	1	45N68	SPROCKET (23T)
51	1	37N27	SIDE SHIELD
52	1	23N79	BRACKET
53	1	23N80	SHIELD
54	1	23N192	FRONT SHIFTER ARM
55	2	YWFL16005	WASHER FLAT ,1/2
56	2	23N193	DOG
57	1	YBHH16055	BOLT HEX, 1/2 X 1-3/4 G5
58	1	23N195	SHIFTER PANEL
59	1	23N196	SPEED SELECTOR
60	1	YPCT04005	COTTER PIN, 1/8 X 1
61	1	23N197	SHIFTER ARM
62	1	F84	TURNBUCKLE
63	1	ES14	THIMBLE
64	1	37N64	CABLE CHAIN
65	11	37N53	CABLE
66	1	F92	SHIELD BRACKET
67	1	23N278	SPACER
68	1	37N74	FRONT SHAFT GUARD
69	1	23N302	FRONT SHIELD LH
70	1	S522	MANUAL HOLDER
71	1	C1112G01	SHEAR HUB SPACER

***MEANS NOT SHOWN**

FIGURE 4
BACK SHIELDS & DRIVE ASSEMBLY

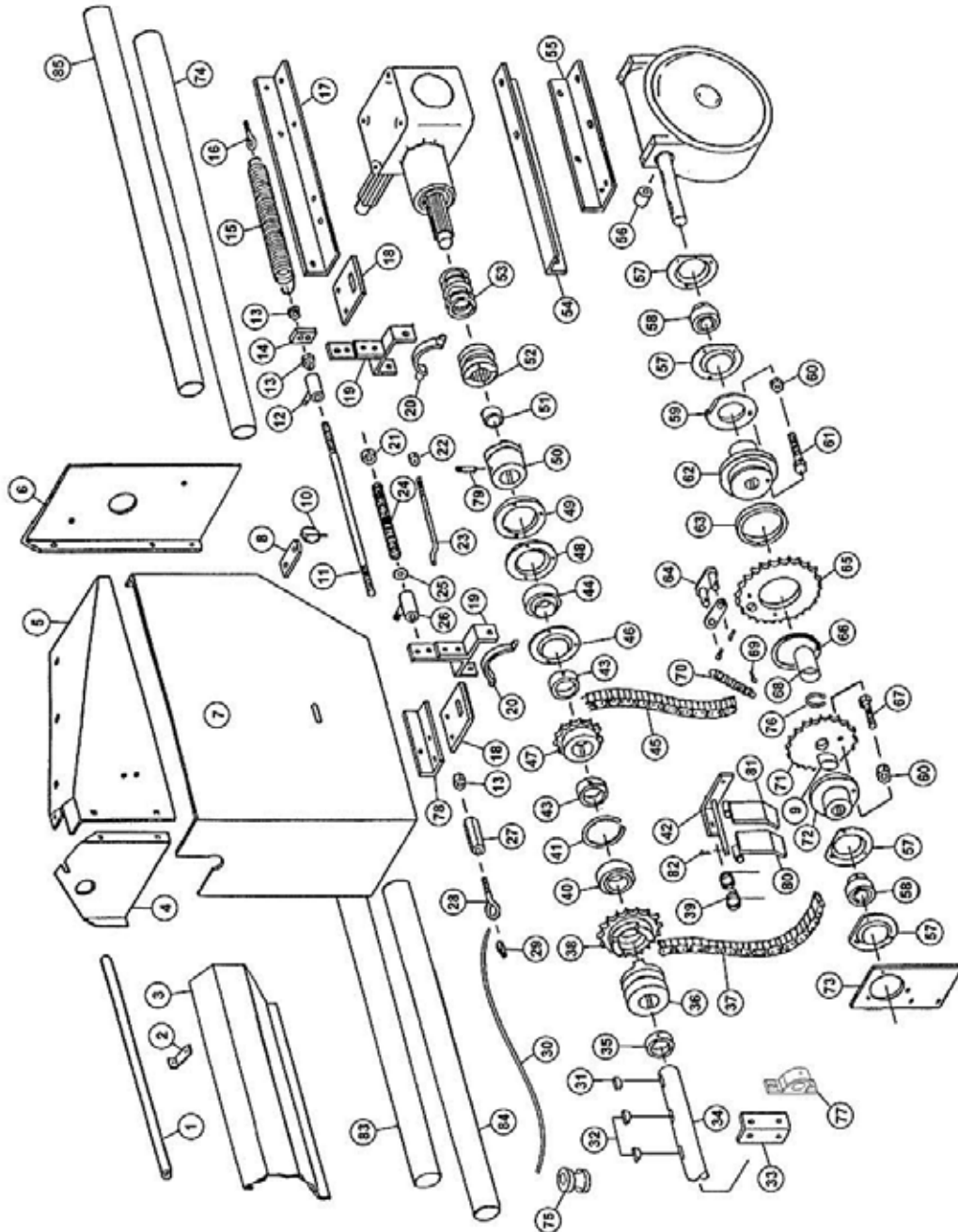


FIGURE 4

BACK SHIELDS & DRIVE ASSEMBLY

<u>ITEM</u>	<u>QTY</u>	<u>PART#</u>	<u>DESCRIPTION</u>
1	1	23N200	CABLE GUARD
2	1	23N79	SIDE SHIELD BRACKET
3	1	37N54	SIDE SHIELD
4	1	43NW10	SHIELD
5	1	43NW11	BACK SHIELD, TOP
6	1	43NW12	BACK SHIELD
7	1	43NW13	COVER
8	1	43NW14	SHIELD BRACKET
9	1	56027	BUSHING
10	1	S122	LYNCH PIN /W LANDYARD
11	1	23N205	CLUTCH ROD
12	1	23N206	SHIFTING ROD BRACKET
13	3	YNHX12005	NUT HEX, 3/8
14	1	23N207	SPRING BRACKET
15	1	K103	SPRING
16	1	YBTE08005	TURNED EYE BOLT, 1/4 X 1 FULL
17	1	43NW16	TOP ANGLE
18	2	23N86	SHIFTER BRACKET
19	2	D57	SHIFTER LEVER
20	2	23N208	YOKE W/ ZERK
21	1	23N209	COLLAR
22	1	YNTL08005	NUT HEX, TOP LOCK, 1/4
23	1	23N210	SHIFTING ROD
24	1	23N211	SPRING BRACKET
25	1	YWFL12005	WASHER FLAT, 3/8
26	1	23N206	ROD BRACKET
27	1	YNCO12005	NUT HEX COUPLING, 3/8 X 1-1/8
28	1	YBTE12005	TURNED EYE BOLT, 3/8 X 1
29	1	ES14	CABLE LOOP
30	1	37N53	CABLE
31	1	5B9	WOODRUFF KEY, 3/8 X 1-1/4
32	2	5B10	WOODRUFF KEY, 1/4 X 1
33	1	23N97	SIDE BEARING BRACKET
34	1	43NW19	SIDE SHAFT
35	1	F6	COLLAR
36	1	23N215	THROW-OUT CLUTCH
37	1	23N93	CHAIN (#50, 60P)
38	1	23N216	CLUTCH SPROCKET
*	1	61138	CLUTCH SPROCKET
39	2	31N33	COMPLETE SPRING TIGHTENER
40	1	BFR525	BEARING
41	1	3G19	SNAP RING
42	1	31N36	TIGHTENER BRACKET
43	3	12N122	BEARING W/LOCK COLLAR 1-1/4

***MEANS NOT SHOWN**

FIGURE 4 **BACK SHIELDS & DRIVE ASSEMBLY**

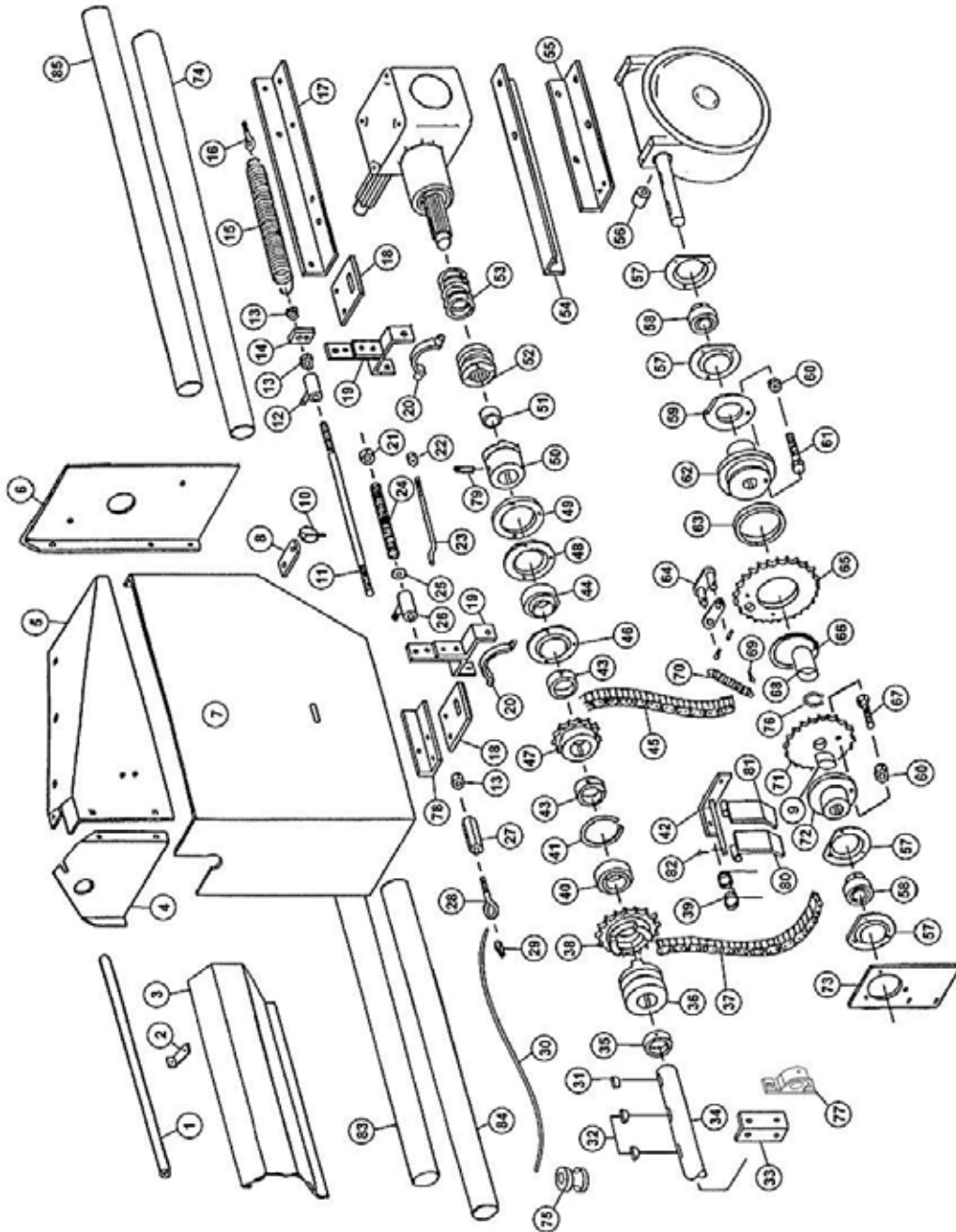


FIGURE 4

BACK SHIELDS & DRIVE ASSEMBLY

<u>ITEM</u>	<u>QTY</u>	<u>PART#</u>	<u>DESCRIPTION</u>
44	1	37N76	#4 SIDE SHAFT GUARD
45	1	23N93	CHAIN (#50 60P)
46	1	F114A	FLANGE
47	1	10R11	SPROCKET (13T)
48	1	F14	FLANGE
49	1	23N174	FLANGE SPACER
50	1	23N241	CLUTCH
51	1	D68	BRONZE BUSHING
52	1	23N90	CLUTCH
53	1	23N89	SPRING
54	1	23N88	BOTTOM ANGLE
55	1	23N95	WORM BOX HOLDER
56	1	23N94	SPACER
57	2	X85	FLANGE
58	2	23N221	BEARING W/SETSCREWS
59	1	23N222	SHEAR PLATE
60	2	YNTL08005	HEX NUT, TOP LOCK 1/4
61	1	YBHH08035	BOLT HEX 1/4 X 1-1/4 G5
62	1	23N224	SHEAR HUB
63	1	23N225	BRONZE BUSHING
64	1	60531	CONNECTOR LINK W/ PINS
*	1	74381	SPROCKET (50T A 30T)
65	1	23N226	SPROCKET W/BUSHING (50T A 30T)
66	1	23N227	SNAP RING
67	1	YBHH08035	BOLT HEX, 1/4 X 1-1/4 G5
68	1	56029	SPACER
69	1	YPCT04005	COTTER PIN, 1/8 X 1
70	1	23N229	DOG SPRING
71	1	56026	SPROCKET (25T)
*	1	56036	SPROCKET W/BUSHING INCLUDES ITEMS 71 & 9
72	1	56025	SHEAR HUB
73	1	23N230	BEARING PANEL
74	1	60644	#4 SIDE SHAFT GUARD
75	1	F33	CABLE GUIDE
76	1	56024	EXTERNAL SNAP RING, 1-1/2
77	1	12N36	PILLOW BLOCK BEARING
78	1	23N239	SHIFTER SUPPORT
79	1	YSFD12005	SET SCREW SOCKET FULL DOG PT, 3/8 X 3/4
80	1	31N34	TIGHTENER BAR LH
81	1	31N35	TIGHTENER BAR RH
82	1	YPCT04005	COTTER PIN, 1/8 X 1
*	1	X60	OFFSET LINK #50
*	1	X61	CONNECTOR LINK #50
*	1	31N38	CHAIN TIGHTENER ASSEMBLY
83	1	37N76	#2 SIDE SHAFT GUARD
84	1	37N75	#1 SIDE SHAFT GUARD
85	1	37N76	#2 SIDE SHAFT GUARD

***MEANS NOT SHOWN**

FIGURE 5 **HYDRAULIC ENDGATE ASSEMBLY**

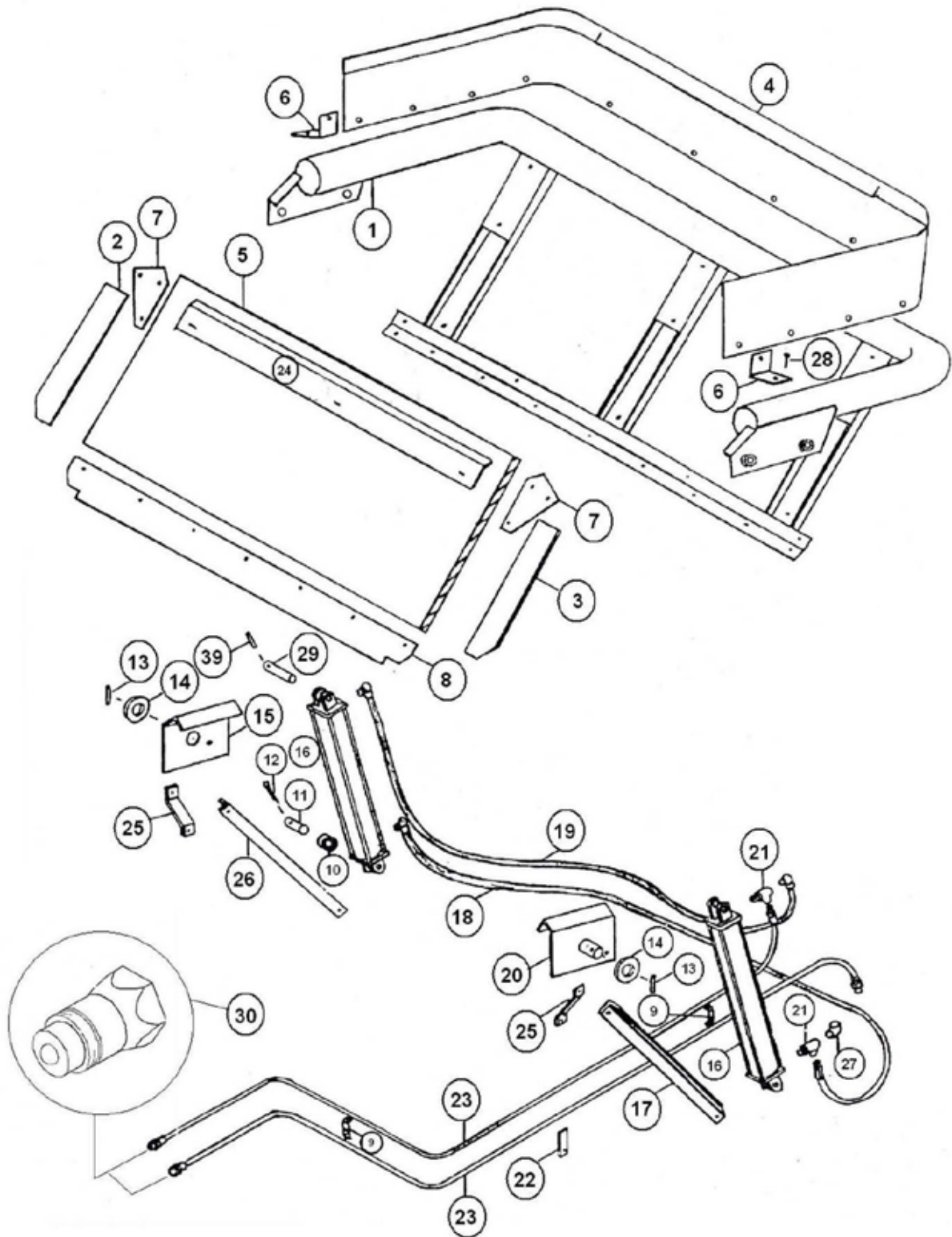


FIGURE 5 HYDRAULIC ENDGATE ASSEMBLY

<u>ITEM</u>	<u>QTY</u>	<u>PART#</u>	<u>DESCRIPTION</u>
1	1	37N34	TAILGATE FRAME
2	1	37N35	SIDE RUBBER RH
3	1	37N36	SIDE RUBBER LH
4	1	43N5	BACK EXTENSION
5	1	37N69A	TAILGATE PLYWOOD W/FIBERGLASS
6	1	43N6	EXTENSION ANGLE
7	2	23N104	TAILGATE CORNER
8	1	23N105	BOTTOM RUBBER
9	2	23N67	HOSE BRACKET
10	4	K132	SPACER
11	2	23N107	CYLINDER PIN
12	1	YPCT07005	COTTER PIN, 7/32 X 2
13	2	YPEX10015	EXPANSION PIN, 5/16 X 1-3/4
14	2	23N109	SPACER
15	1	23N110	TAILGATE MOUNT, RH
16	1	56015	HYDRAULIC CYLINDER (2 x 16)
17	1	37N59	TAILGATE BRACE, LH
18	1	37N60	HYD HOSE, 6, 108
19	1	37N61	HYD HOSE, 6, 152
20	1	23N115	TAILGATE MOUNT LH
21	2	23N116	TEE
22	1	23N117	HOSE HOLDER
23	2	37N83	HYD HOSE, 6 X 328
24	1	23N163	TAILGATE POLY HOLD DOWN
25	2	23N232	TAILGATE BRACKET BRACE
26	1	37N62	TAILGATE BRACKET BRACE
27	1	23N234	FITTING, 90, 3/8NPT
28	1	12V3	SELF TAPPING BOLT
29	2	23N107	CYLINDER PIN
30	2	DWM205	MALE QUICK COUPLER

***MEANS NOT SHOWN**

FIGURE 6 APRON CHAIN ASSEMBLY

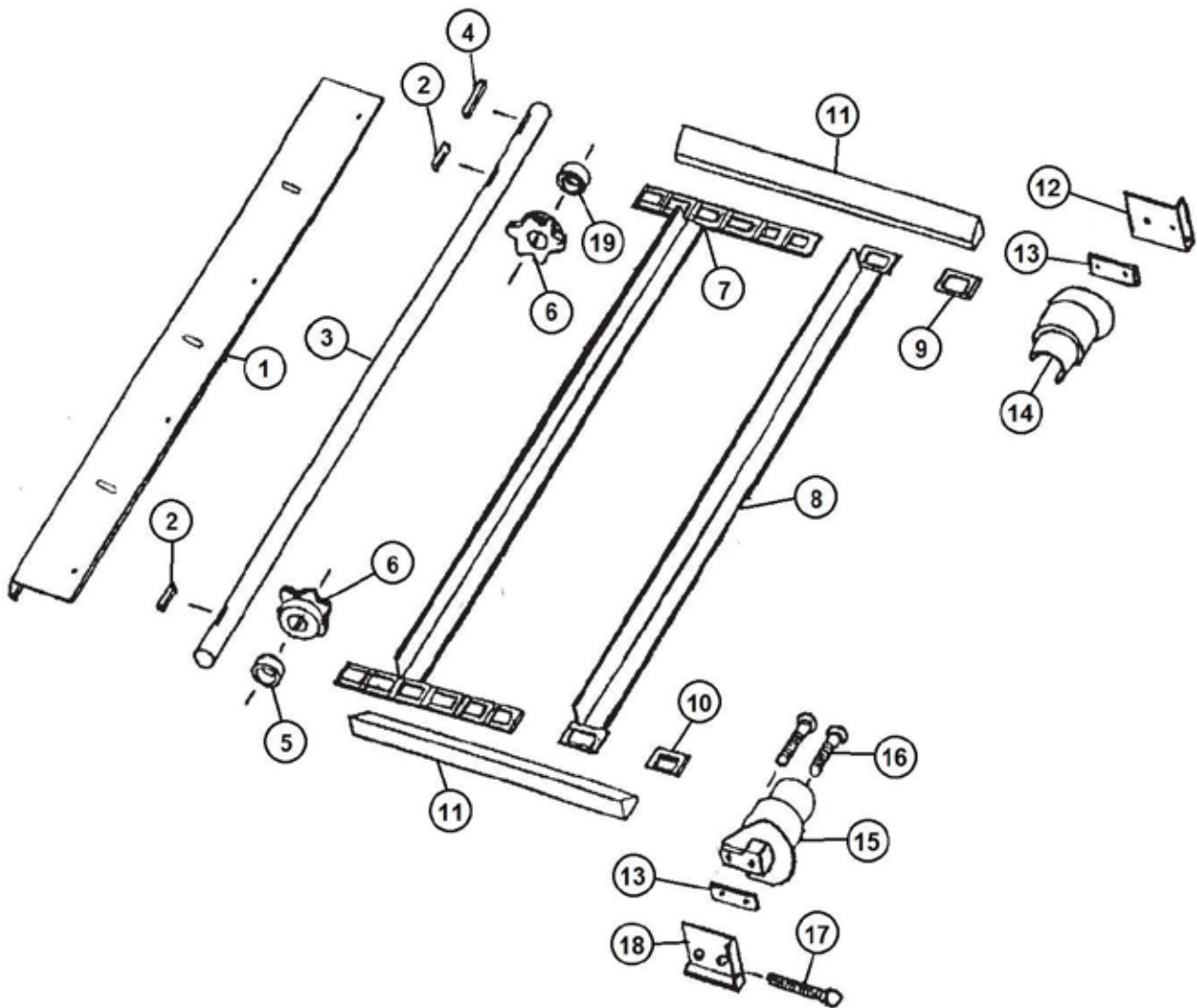


FIGURE 6

APRON CHAIN ASSEMBLY

<u>ITEM</u>	<u>QTY</u>	<u>PART#</u>	<u>DESCRIPTION</u>
1	1	37N82	DRIVE SHAFT SHIELD
2	2	23N303	SQUARE KEY, 3/8 X 1-3/4
3	1	27N19	DRIVE SHAFT
4	1	S138	SQ. KEY W/ROUND ENDS, 3/8 X 2-3/8
5	1	23N121	SPACER, 5/8
6	2	23N122	DRIVE SPROCKET (6T)
7	1	37N42	APRON CHAIN 28 SLATS, 280 LINKS
8	1	23N124	SLAT W/ATTACHMENT LINKS
9	1	S55	T-ROD STANDARD LINK
10	1	S55	T-ROD STANDARD LINK
11	2	37N43	APRON CHAIN SIDE SPACERS
12	1	A30	CHAIN SLIDE PLATE, LH
13	2	23N126	CHAIN SLIDE SPACER
14	1	23N127	T-ROD SLIDE LH
15	1	23N128	T-ROD SLIDE RH
16	2	YBCR16045	BOLT CARRIAGE, 1/2 X 4 G5
17	1	YBHH16145	BOLT HEX, 1/2 X 4-1/2 G5
18	1	A29	CHAIN SLIDE PLATE RH
19	1	23N266	SPACER, 5/16

FIGURE 7
WORM GEARBOX ASSEMBLY

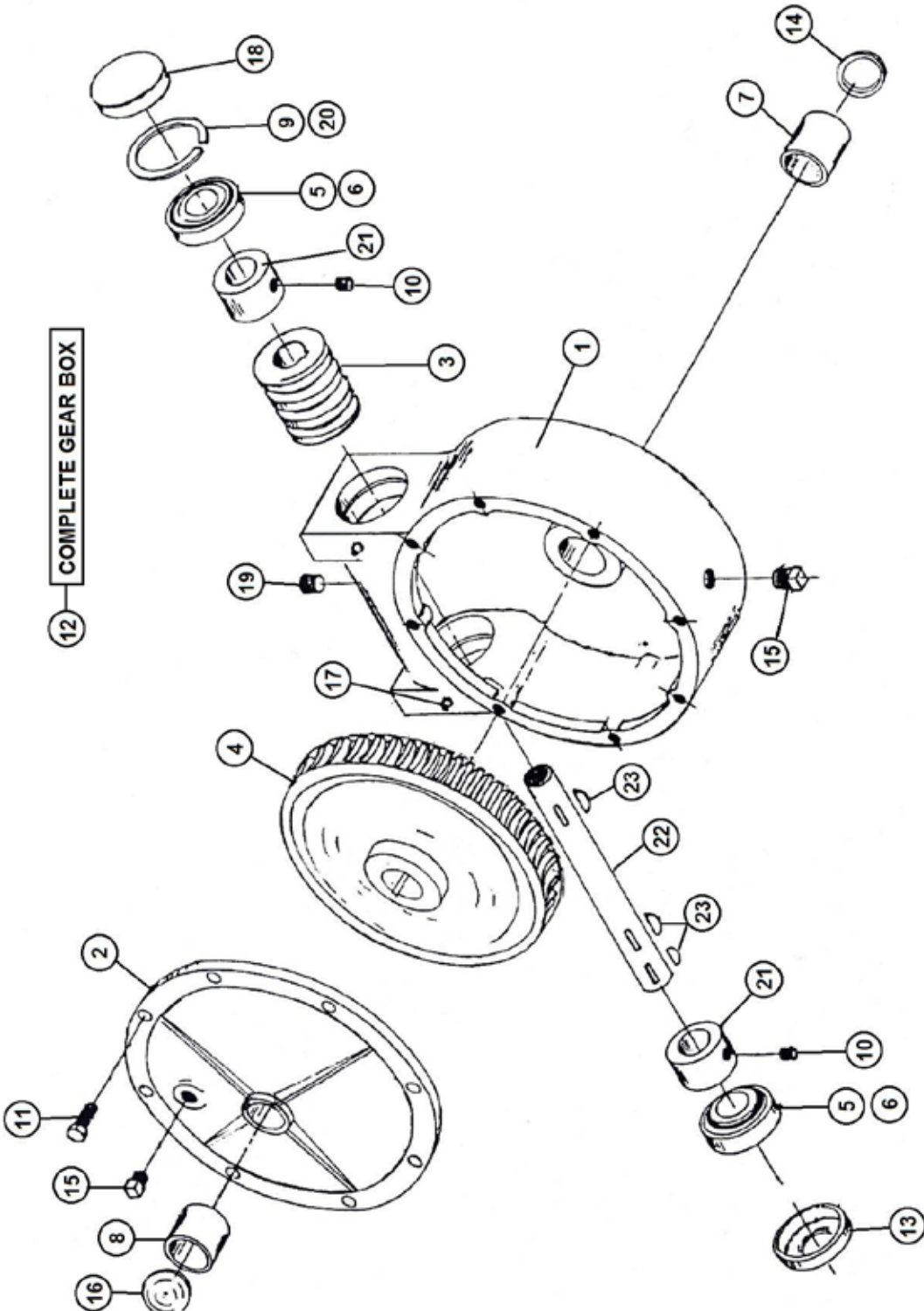


FIGURE 7

WORM GEARBOX ASSEMBLY

<u>ITEM</u>	<u>QTY</u>	<u>PART#</u>	<u>DESCRIPTION</u>
1	1	G114	HOUSING
2	1	G116	COVER
3	1	G76	WORM
4	1	G77	WORM GEAR
5	1	G78	BEARING
6	1	G79	RACE
7	1	X8	BEARING - OIL LITE
8	1	X75	BEARING - OIL 1 1/2 X 1 3/4 X 1 1/4
9	1	G82	SNAP RING
10	1	YSKP12025	SCREW SET SOCKET, KNURLED CUP PT, 3/8 X 3/8
11	1	YSKP12005	SCREW SET SOCKET, KNURLED CUP PT, 3/8 X 1
12	2	G122	WORM GEARBOX COMPLETE
13	1	G123	SEAL
14	1	17G133	SEAL
15	1	G65	PLUG, 3/8 NPT
16	1	G117	CAP
17	1	G89	GREASE ZERK, 1/4
18	1	G90	CAP
19	1	G91	VENT PLUG, 3/8 NPT
20	1	G92	SHIM
21	1	G93	SPACER
22	1	23N236	WORM GEAR SHAFT
23	1	5B10	WOODRUFF KEY, 1/4 X 1
*	1	G88	GASKET

***MEANS NOT SHOWN**

FIGURE 8 BEVEL GEARBOX

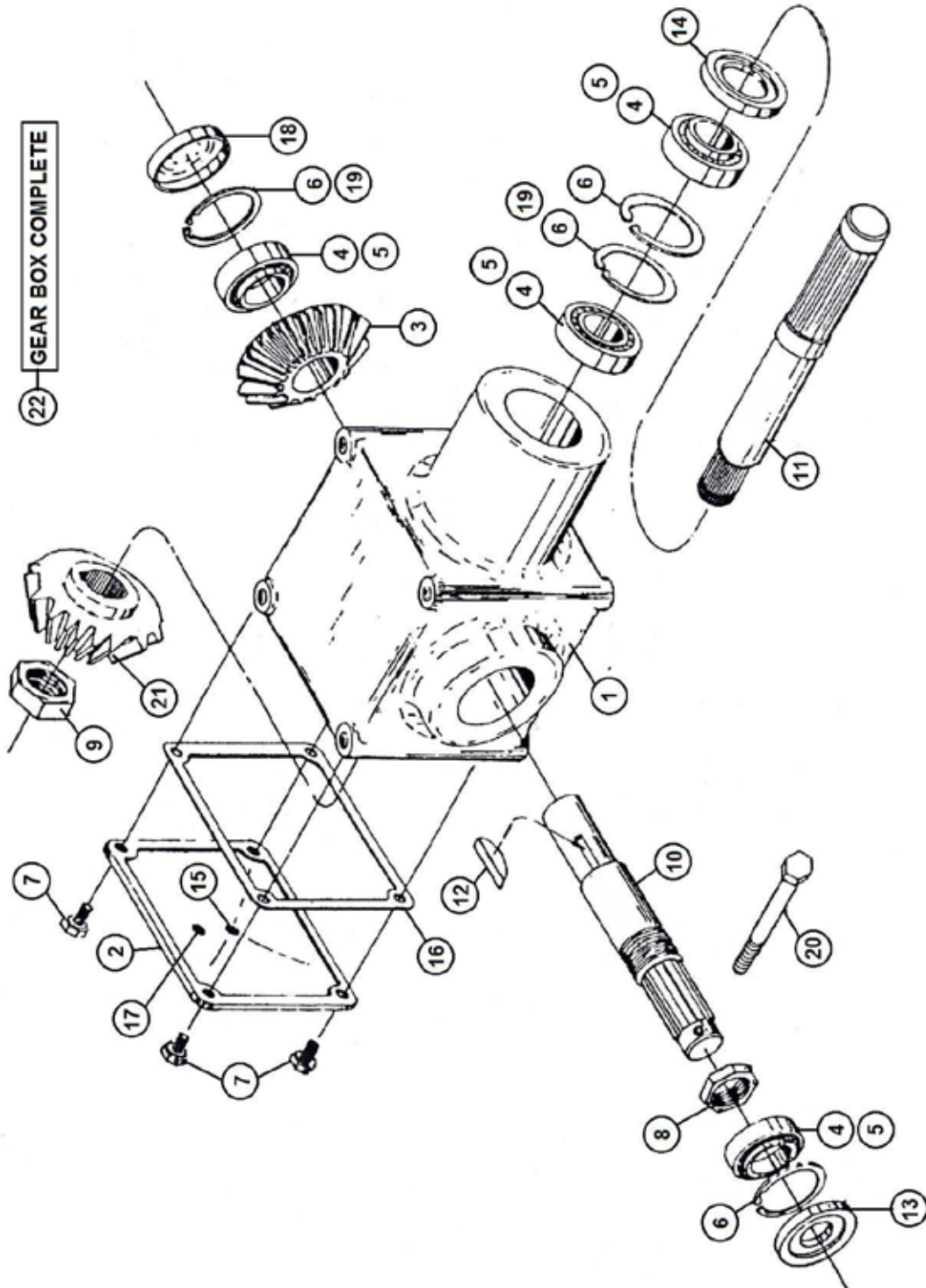


FIGURE 8 BEVEL GEARBOX

<u>ITEM</u>	<u>QTY</u>	<u>PART#</u>	<u>DESCRIPTION</u>
1	1	G125	HOUSING
2	1	G126	COVER
3	1	G127	BEVEL GEAR (33T)
4	4	G128	RACE
5	4	G129	BEARING
6	4	G130	SNAP RING
7	4	G131	CAPSCREW
8	1	G132	STAKE NUT
9	1	G133	STAKE NUT
10	1	G134	OUTPUT SHAFT
11	1	G135	INPUT SHAFT
12	1	5B9	WOODRUFF KEY (HARD)
13	1	G136	OUTPUT SEAL
14	1	G137	INPUT SEAL
15	1	G65	PLUG, 3/8 NPT
16	1	G138	GASKET
17	1	G139	KEY SQUARE, 3/8 X 1-1/2 - HARD
18	1	G140	CAP
19	1	G141	SHIM
20	1	YBHH10130	BOLT HEX, 5/16 X 5 G5
21	1	G142	SPLINED BEVEL GEAR (22T)
22	1	G143	BEVEL GEARBOX COMPLETE
*	2	G144	VENT PLUG
*	1	G145	PLUG

***MEANS NOT SHOWN**

FIGURE 9
HYDRAULIC CYLINDER

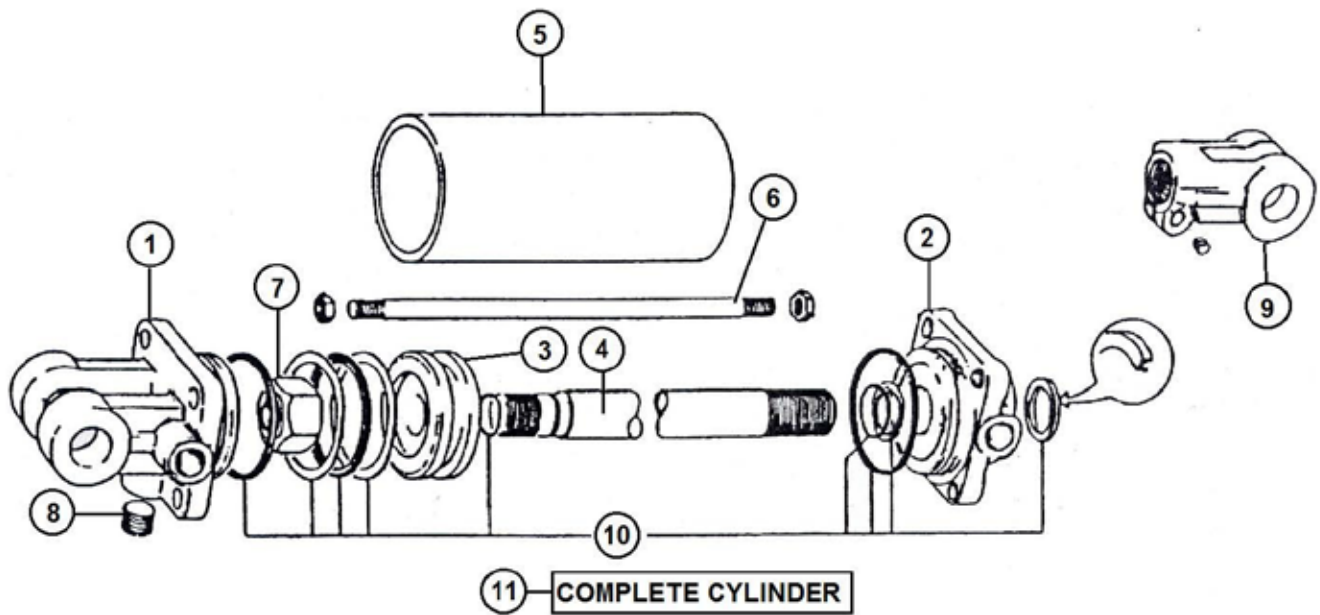


FIGURE 9 HYDRAULIC CYLINDER

<u>ITEM</u>	<u>QTY</u>	<u>PART#</u>	<u>DESCRIPTION</u>
1	1	23N142A	CLEVIS CAP
2	1	23N143A	ROD CAP
*	1	56174	ROD CAP FOR 2 INCH CYLINDER
3	1	23N144	PISTON
*	1	56180	PISTON FOR 2 INCH CYLINDER ROD
4	1	23N145A	CAP
5	1	23N146	CYLINDER TUBE
6	4	23N147	TIE ROD
7	1	23N148	PISTON NUT
8	1	23N149	PLUG
9	1	23N150A	ROD CLEVIS
10	1	23N151	SEAL KIT
*	1	56187	SEAL KIT FOR 2 INCH CYLINDER
11	1	23N111A	HYDRAULIC CYLINDER
*	1	56015	HYDRAULIC CYLINDER (2 X 16)

***MEANS NOT SHOWN**

FIGURE 10 PTO ASSEMBLY

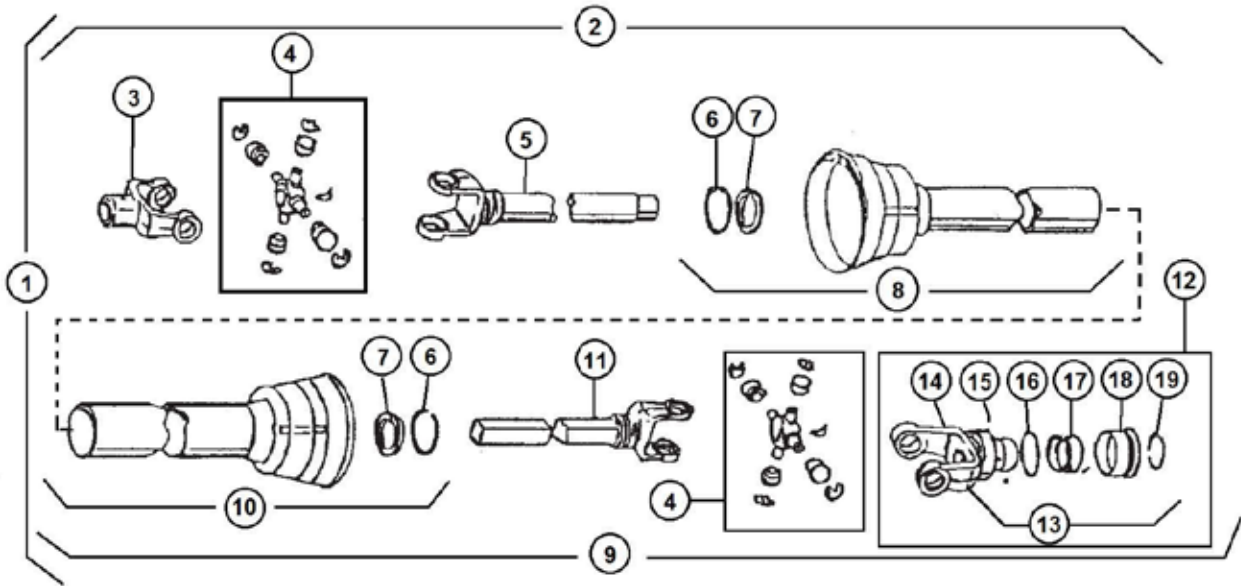


FIGURE 10 **PTO ASSEMBLY**

<u>ITEM</u>	<u>QTY</u>	<u>PART#</u>	<u>DESCRIPTION</u>
1	1	23N152	PTO COMPLETE
2	1	23N153	MACHINE HALF PTO W/SHIELDS
3	1	G1R35	END YOKE MACHINE HALF
4	2	14NWKIT	REPAIR KIT
5	1	23N155	YOKE AND TUBE
6	2	24N26	BEARING RETAINER
7	2	4N20	NYLON BEARING
8	1	23N156	INNER GUARD INCLUDING ITEM #6 & #7
9	1	23N157	TRACTOR HALF PTO W/SHIELD OUTER
10	1	23N158	GUARD INCLUDING ITEM #6 & #7 YOKE
11	1	23N159	AND SHAFT
12	1	23N162	LOCK YOKE ASSEMBLY
13		S225	SPRING LOCK REPAIR KIT
14		S226	COVER
15		S212	STAINLESS BALL
16		S227	WASHER
17		S228	SPRING
18		S229	COLLAR ASSEMBLY
19		S215	RETAINING RING
*	1	S402	PTO SAFETY MANUAL

***MEANS NOT SHOWN**

FIGURE 11
PTO ASSEMBLY (1000RPM)

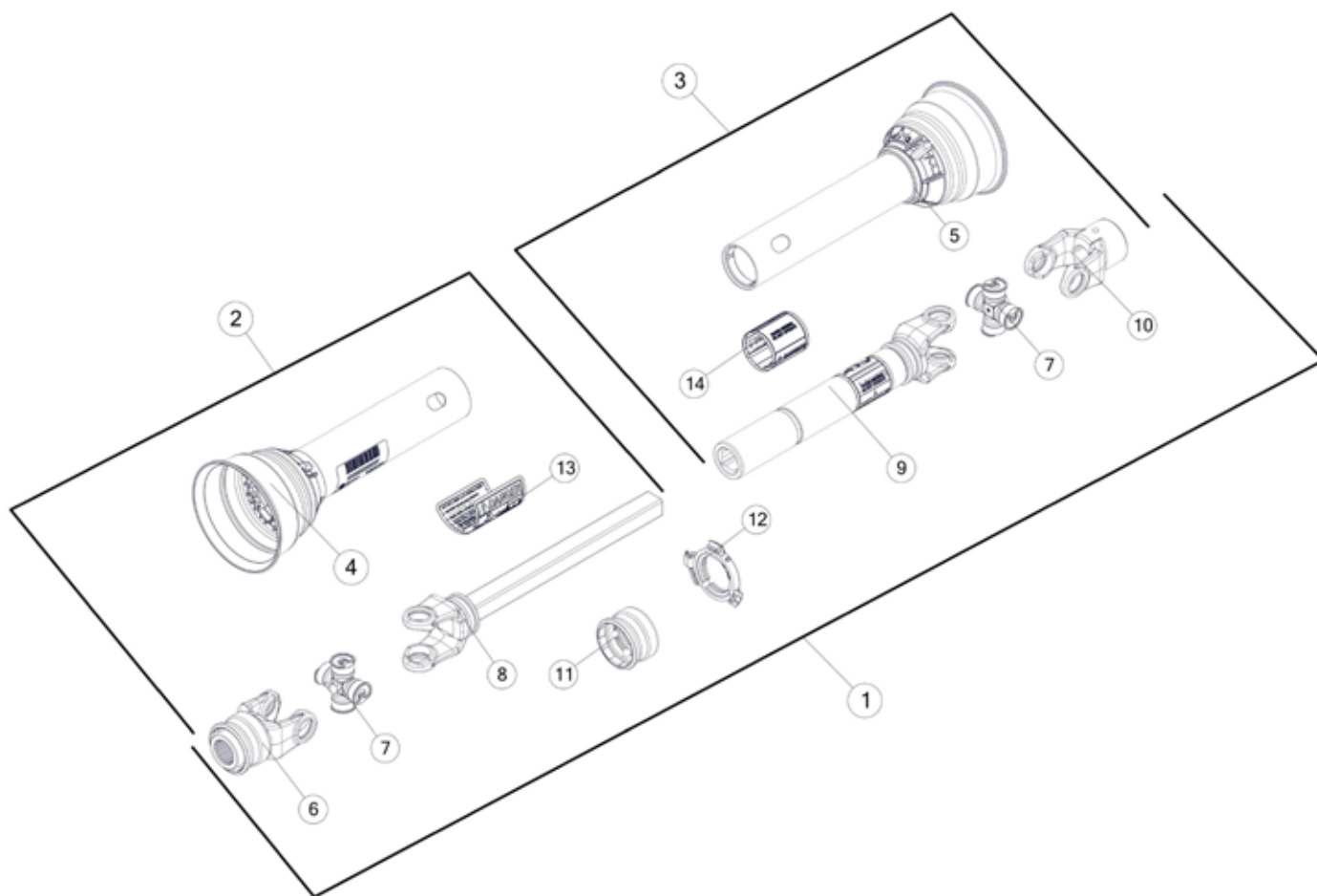


FIGURE 11 PTO ASSEMBLY (1000RPM)

<u>ITEM</u>	<u>QTY</u>	<u>PART#</u>	<u>DESCRIPTION</u>
1	1	23N313	14R DRIVE SHAFT PTO /WITH GUARD
2	1	23N314	PTO TRACTOR HALF W/SHIELD
3	1	23N153	MACHINE HALF PTO W/SHIELD
4	1	55864	OUTER GUARD
5	1	23N156	INNER GUARD
6	1	37N73	1000 RPM YOKE
7	2	14NW KIT	14R CROSS & BEARING KIT
8	1	23N159	YOKE AND SHAFT
9	1	23N155	YOKE AND TUBE
10	1	G1R35	YOKE
11	1	S225	SPRING-LOK REPAIR KIT
12	1	55861	GUARD REPAIR KIT
*	1	S402	ADMA SAFETY MANUAL

***MEANS NOT SHOWN**

FIGURE 12
OPTIONAL 2ND BEATER LH

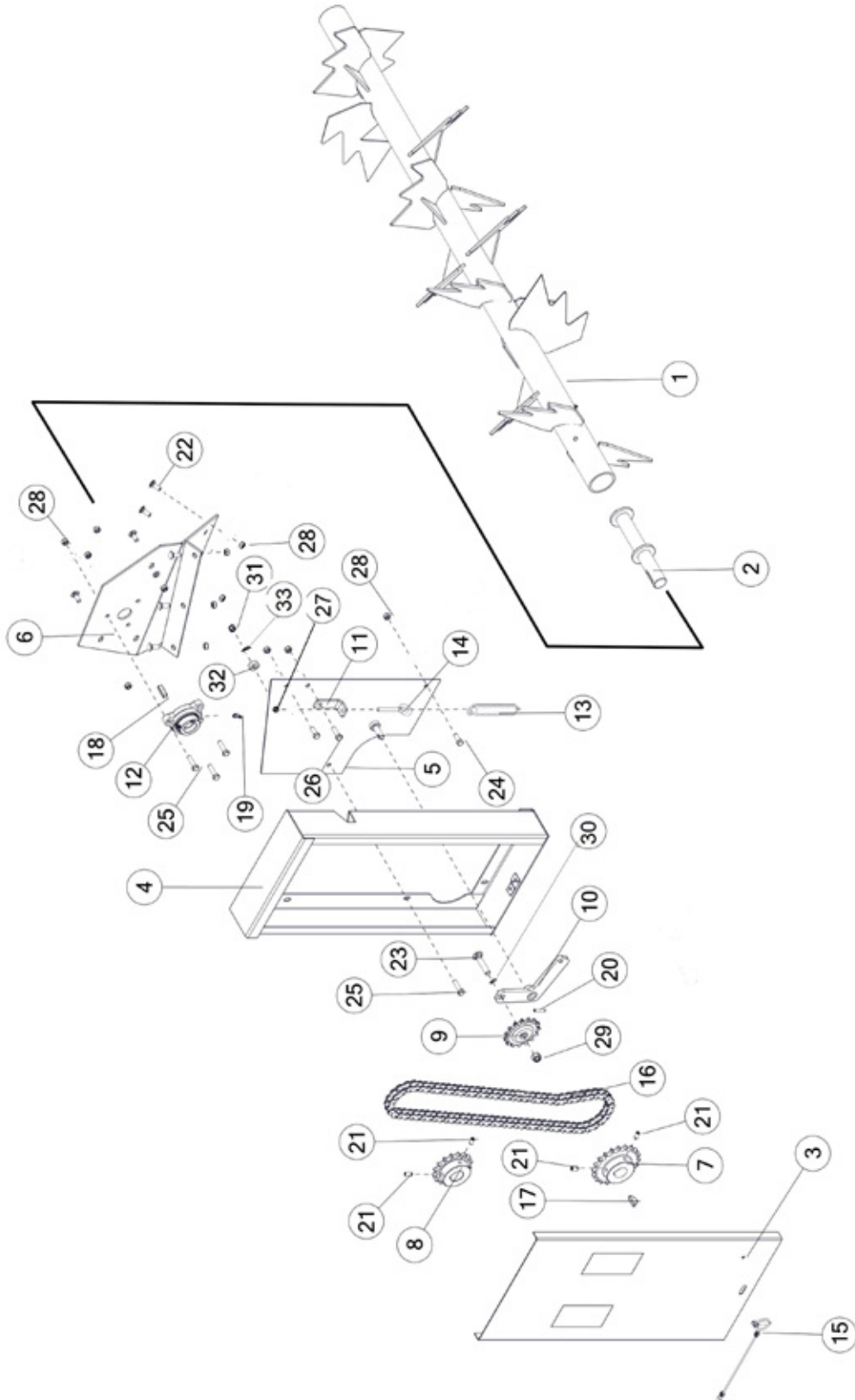


FIGURE 12

OPTIONAL 2ND BEATER LH

<u>ITEM</u>	<u>QTY</u>	<u>PART#</u>	<u>DESCRIPTION</u>
1	1	80724	SECOND BEATER
2	1	80723	STUB SHAFT, RH
3	1	81467	FRONT SHIELD WITH DECAL
4	1	81468	BEATER SHIELD WITH DECALS
5	1	81465	BACK SHIELD WITH DECAL
6	1	80718	BEATER PANEL, RH
7	1	80898	SPROCKET, 20T
8	1	D23	SPROCKET, 16T
9	1	12N42	IDLER SPROCKET,15T
10	1	80728	SPRING TENSIONER ARM
11	1	80152	SPRING TENSIONER BRKT
12	1	80725	BEATER BEARING
13	1	ST36	TENSION SPRING
14	1	YBTE10015	BOLT TURNED EYE, 5/16 X 2-5/8
15	1	S122	LANYARD CLIP PIN CABLE
16	1	37N49	ROLLER CHAIN #60
17	1	5B9	WOODRUFF KEY, 0.38 X 0.53 X 1.25
18	1	A32	SQUARE KEY, 0.38 X 0.38 X 1.38
19	1	RG21	GREASE ZERK, 45 DEGREE
20	1	YPEX08010	EXPANSION PIN, 1/4 X 1-1/4
21	4	YSKP12035	SETSCREW, 3/8 X 3/4
22	6	YBCR12010	BOLT CARRIAGE, 3/8 X 1 G5
23	1	YBCR16025	BOLT CARRIAGE, 1/2 X 2-1/2 G2
24	2	YBFB12003	BOLT FLANGE, 3/8 X 1 G5
25	3	YBFB12150	BOLT FLANGE, 3/8 X 1-1/2 G5
26	1	YBFB12125	BOLT FLANGE, 3/8 X 1-1/4 G5
27	1	YNFG10005	NUT FLANGE, 5/16 GF
28	12	YNFG12006	NUT FLANGE, 3/8 GF
29	1	YNFG16003	NUT FLANGE, 1/2 GF
30	4	YWFL14005	WASHER FLAT, 7/16
31	1	YNNY12005	NUT HEX, 3/8 LKNY G2
32	1	S246	SPACER

FIGURE 12
OPTIONAL 2ND BEATER RH

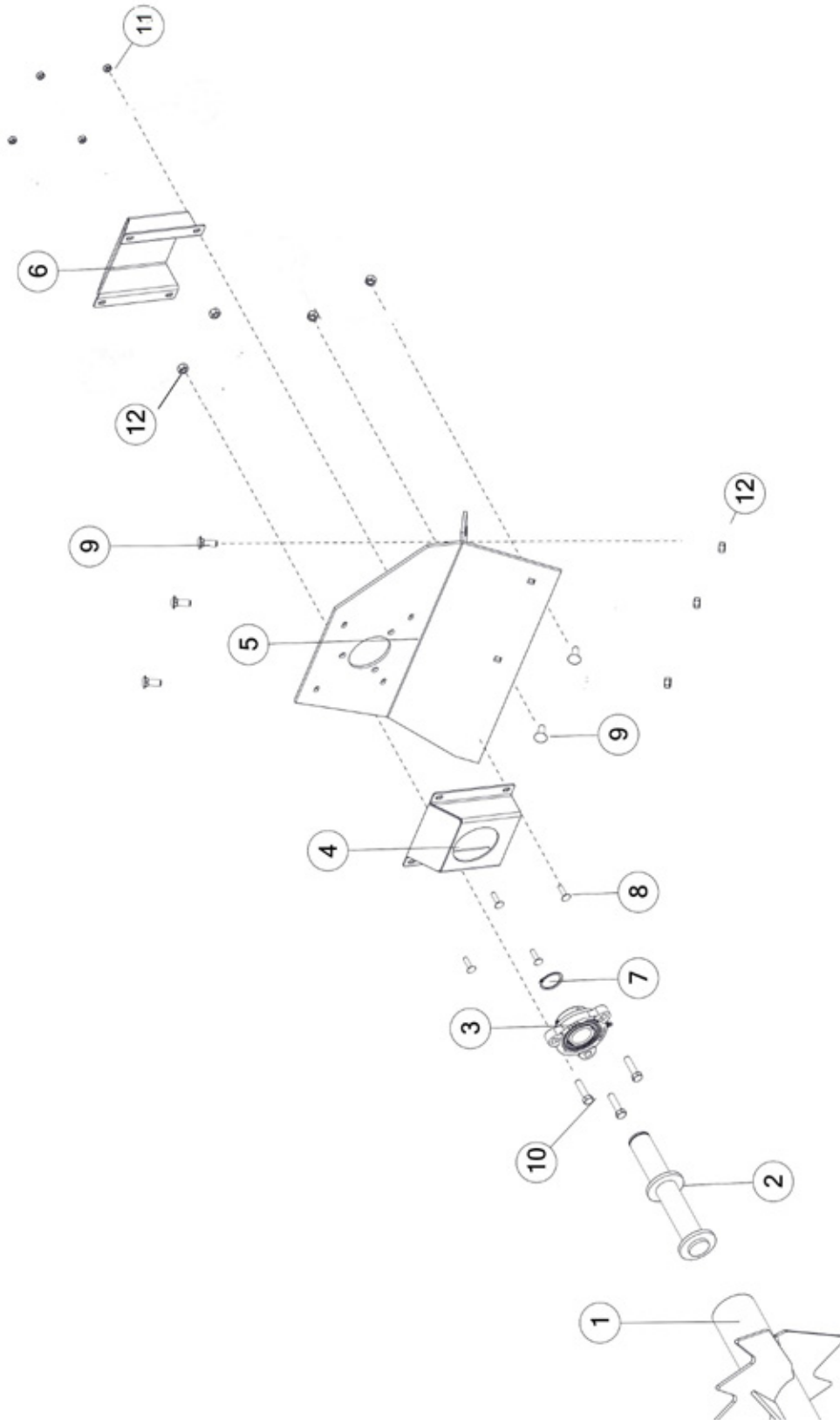


FIGURE 12
OPTIONAL 2ND BEATER RH

<u>ITEM</u>	<u>QTY</u>	<u>PART#</u>	<u>DESCRIPTION</u>
1	1	80724	SECOND BEATER
2	1	80721	STUB SHAFT LH
3	1	80725	BEATER BEARING
4	1	57216	BEATER BEARING PROTECTOR
5	1	80716	BEATER PANEL LH
6	1	87656	EXTERIOR BEATER BEARING PROTECTOR
7	1	81527	EXTERNAL SNAP RING 1-3/8
8	4	YBCR08005	BOLT CARRIAGE, 1/4 X 1 G5
9	5	YBCR12010	BOLT CARRIAGE, 3/8 X 1 G5
10	3	YBFB12150	BOLT FLANGE, 3/8 X 1-1/2 G5
11	4	YNFG08010	NUT FLANGE, 1/4 GF
12	8	YNFG12006	NUT FLANGE, 3/8 GF

FIGURE 13

OPTIONAL HYDRAULIC DRIVE ASSEMBLY

<u>ITEM</u>	<u>QTY</u>	<u>PART#</u>	<u>DESCRIPTION</u>
1	4	HE58	FITTING, 90, 1/2NPT, 1/2NPT
2	1	DF15	SPEED CONTROL
3	1	DF18	CHECK VALVE
4	2	DF7	FITTING STRAIGHT, 1/2NPT, 1/2NPT
5	1	DF8	FITTING TEE, 1/2NPT,1/2NPT,1/2NPT
6	1	HE14	PIPE BRACKET
7	1	23N131	ROLLAR CHAIN (#50, 40P)
8	1	11S19	SINGLE SPROCKET (20T)
9	1	5B10	WOODRUFF KEY 1/4 X 1
10	1	DF1	HYD MOTOR
11	1	23N117	HOSE HOLDER
12	2	77330	HYD HOSE, 6, 224
13	1	DF21	REDUCER
14	1	23N133	CONTROL PANEL
15	1	DF9	HYD HOSE, 8, 72
16	1	YNTL12005	NUT HEX, 3/8
17	1	DF12	SPACER
18	1	DF11	CONTROL HANDLE
19	1	DF10	HANDLE BRACKET
20	1	DF14	STRAP
21	1	DF22	RING FOR STRAP
22	1	23N238	CHAIN TIGHTENER ROLLER
23	1	L10R35	CHAIN TIGHTENER
24	1	10R32	SNAP RING EXTERNAL

FIGURE 14 OPTIONAL ELECTRIC CONTROL FOR HYDRAULIC DRIVE

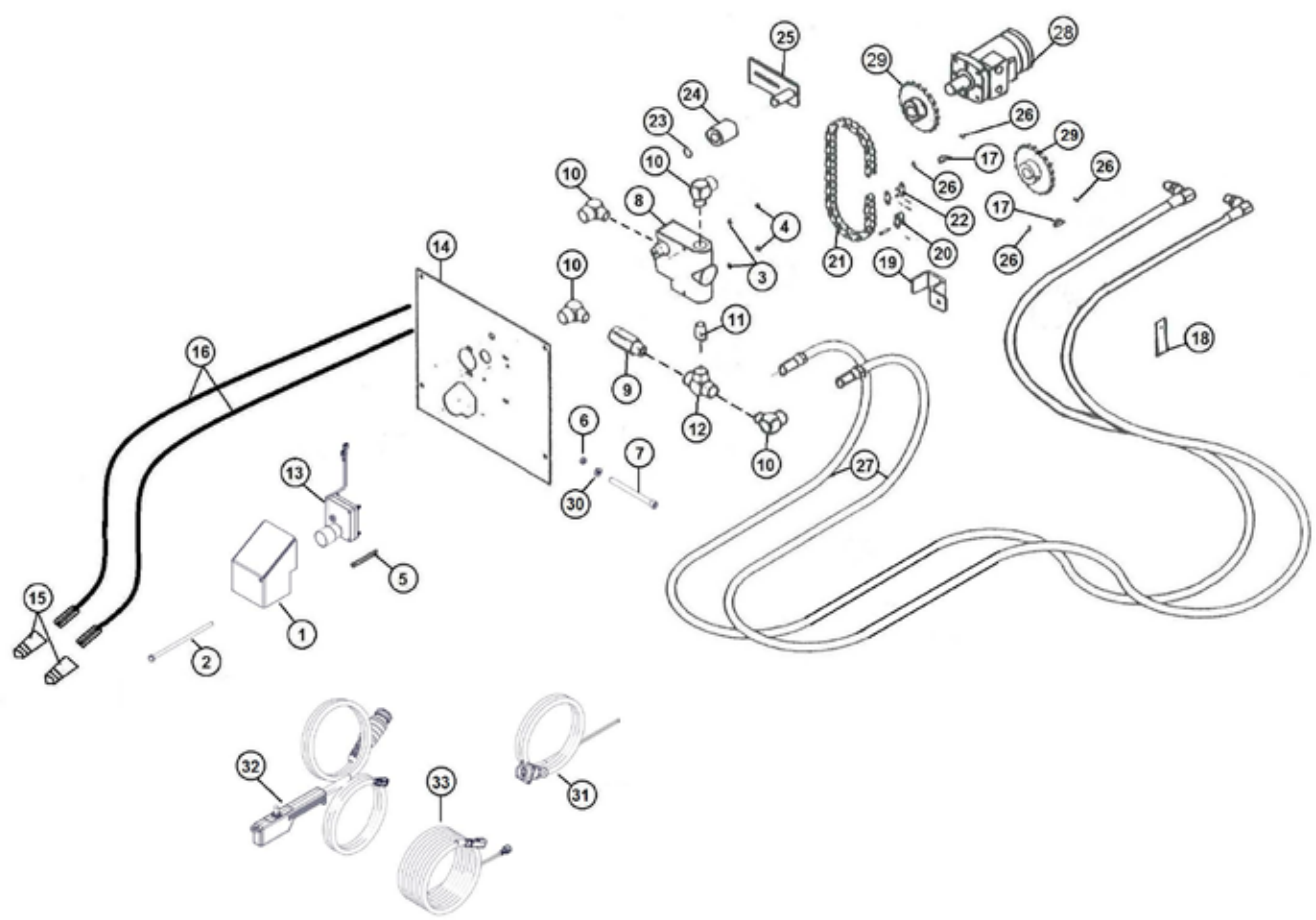


FIGURE 14

OPTIONAL ELECTRIC CONTROL FOR HYDRAULIC DRIVE

<u>ITEM</u>	<u>QTY</u>	<u>PART#</u>	<u>DESCRIPTION</u>
1	1	81058	MOTOR SHIELD HOLDER
2	1	YBHH08127	SHIELD BOLT
3	2	YWLO08005	WASHER LOCK, 1/4
4	2	YNTL08005	NUT HEX, 1/4 G2
5	2	YBCR08025	BOLT CARRIAGE, 1/4 X 2-1/2 G5
6	1	YNTL12005	NUT HEX, 3/8
7	1	YSHS12020	BOLT 3/8 X 4-1/2
8	1	DF15A	FLOW CONTROL
9	1	DF18	CHECK VALVE
10	4	HE58	FIT, 90, 1/2NPT X 1/2NPT
11	1	DF4	FIT, STRAIGHT, 1/2NPT X 1/2NPT
12	1	DF8	FIT, TEE, 1/2NPT X 1/2NPT X 1/2NPT
13	1	81270	GEAR MOTOR
*	1	81269	MOTOR CAP
14	1	23N133	CONTROL PANEL
15	2	DWM205	MALE QUICK COUPLER
16	2	23N309	HYD HOSE, 8 X 96
17	2	5B10	WOODRUFF KEY, 1/4 X 1
18	1	23N117	HOSE HOLDER
19	1	HE14	PIPE BRACKET
20	1	X60	OFFSET LINK (#50)
21	1	23N131	ROLLER CHAIN (#50, 40 PITCHES)
22	1	X61	CONNECTOR LINK (#50)
23	1	10R32	EXTERNAL SNAP RING
24	1	23N238	CHAIN TIGHTENER ROLLER
25	1	L10R35	TIGHTENER BRAKET
26	2	YSKP10010	SCREW SOCKET HEAD, 5/16 X 3/8
27	2	77330	HYD HOSE, 6, 224IN
28	1	DF1	HYDRAULIC MOTOR
29	1	11S19	DRIVE SPROCKET (20T)
30	1	YWLO12005	WASHER LOCK, 1/4
31	1	16SV269	TRACTOR CONTROL HARNESS
32	1	63365	HAND CONTROLLER
33	1	16SV272	POWER SUPPLY CABLE

FIGURE 15
ELECTRIC CONTROL

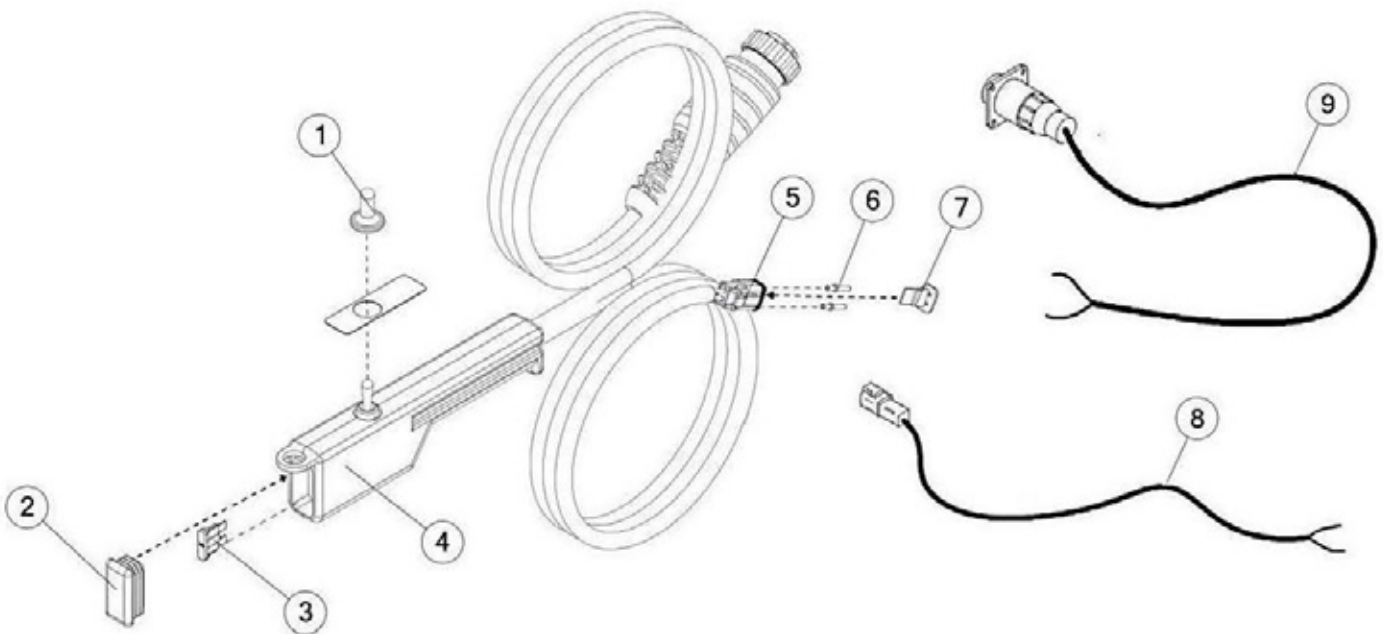


FIGURE 15
ELECTRIC CONTROL

<u>ITEM</u>	<u>QTY</u>	<u>PART#</u>	<u>DESCRIPTION</u>
1	1	16SV235	SWITCH BOOTS
2	1	61564	CAP
3	1	61597	FUSE, BLADE, 5AMP
4	1	63365	HAND CONTROLLER (ON-OFF-ON)
5	1	58790	DEUTSCH 2 PIN PLUG
6	2	56760	DEUTSCH SOCKET, SOLID, 14-16 GA.
7	1	58793	LOCKING WEDGE FOR DT06-2S CONNECTOR
8	1	56N134	SPREADER CONTROL CORD
9	1	16SV269	TRACTOR CONTROL CABLE

FIGURE 16
LIGHT KIT

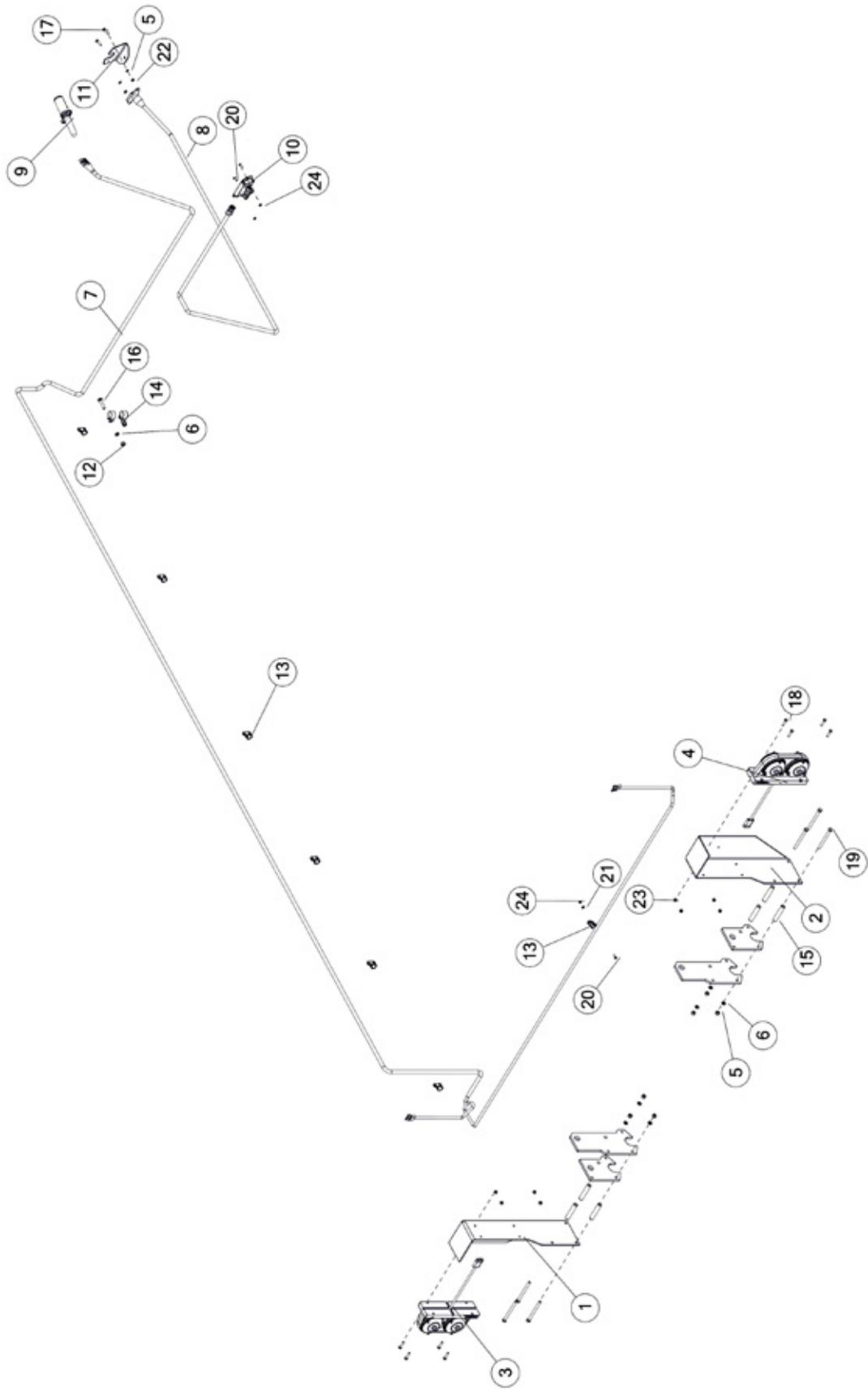


FIGURE 16 LIGHT KIT

<u>ITEM</u>	<u>QTY</u>	<u>PART#</u>	<u>DESCRIPTION</u>
1	1	77918	LIGHT BRACKET LH
2	1	77922	LIGHT BRACKET RH
3	1	77923	TAIL LIGHT ASSY LH
4	1	77924	TAIL LIGHT ASSY RH
5	1	YNL12005	NUT HEX, 3/8
6	2	YWLO12005	WASHER LOCK, 3/8
7	1	77975	ELEC HARNESS
8	1	79260	LIGHT HARNESS
9	1	TLPC	TRANSPORT LIGHT CORD
10	1	69908	MODULE CONTROL BLINKER
11	1	BFR659	LIGHT BRACKET
12	2	YNL12005	NUT HEX, 3/8
13	5	HGV162	1/2 RUBBER WIRE HOLDER
14	2	HGV72	SMALL TUBE HOLDER SPACER
15	6	ST55	BOLT CARRIAGE, 3/8 X 2
16	2	YBCR12035	BOLT CARRIAGE, 1/4 X 1
17	2	YBHH08005	BOLT HEX, 1/4 X 1-1/4
18	8	YBHH08030	BOLT HEX, 3/8 X 4-1/2
19	8	YBHH12185	MACHINE SCREW #10-24 X 5/8
20	6	YSPN64005	RIVET
21	6	YMRV06015	WASHER, 3/16
22	2	YNHX08005	NUT HEX, 1/4
23	8	YNNY08005	NUT HEX, 1/4
24	8	YNNY64005	NUT HEX, #10-24

FIGURE 17 **OPTIONAL REAR PAN**

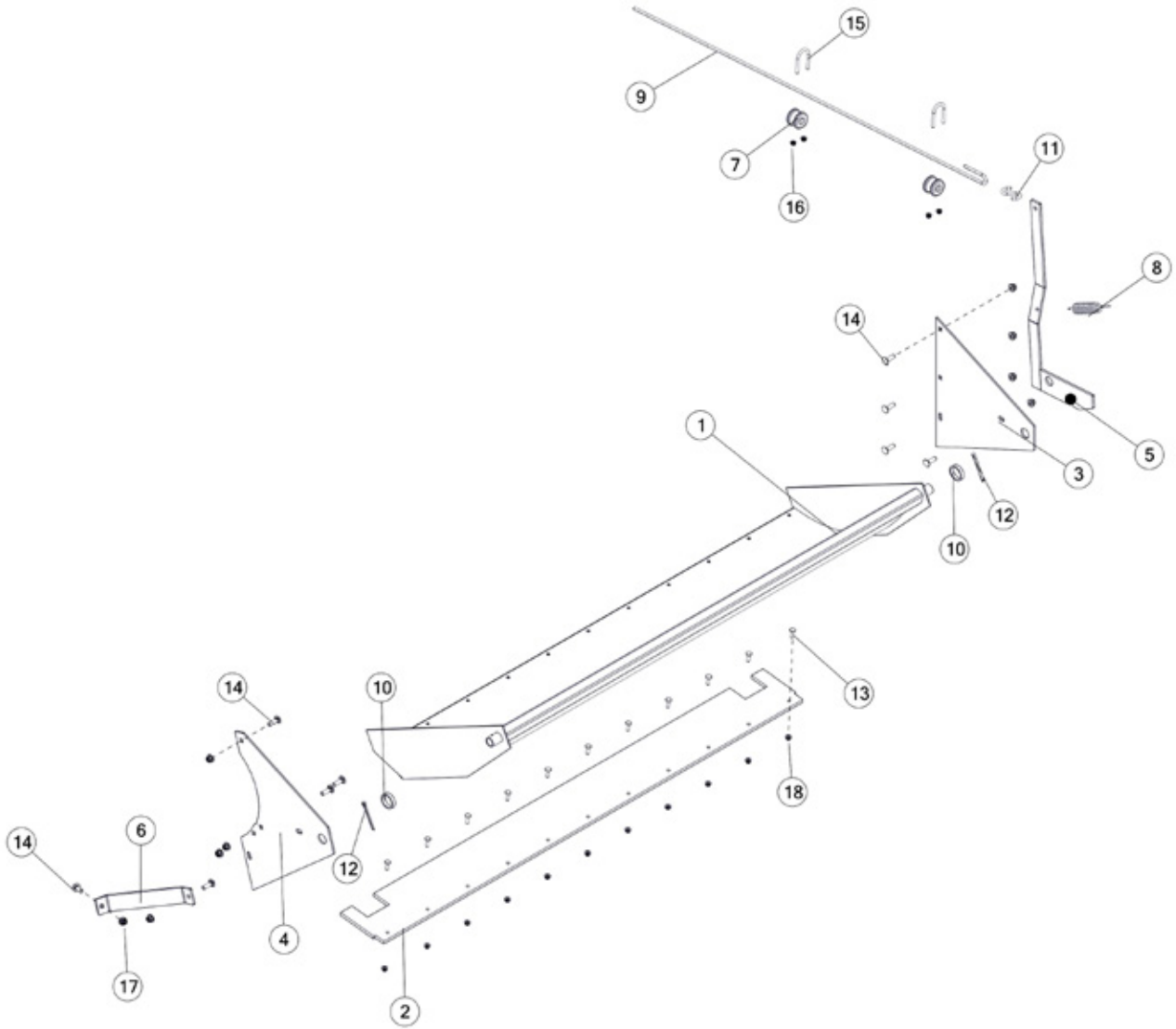


FIGURE 17

OPTIONAL REAR PAN

<u>ITEM</u>	<u>QTY</u>	<u>PART#</u>	<u>DESCRIPTION</u>
1	1	23N30	PAN
2	1	23N24	PAN RUBBER FLAP
3	1	23N29	PAN PLATE RH
4	1	43NW4	PAN PLATE LH
5	1	23N21	PAN TRIP LEVER
6	1	85825	PAN SUPPORT BRACE
7	2	F33	SIDE CABLE GUIDE
8	1	R27	SPRING
9	1	37N5	PAN TRIP ROPE
10	2	F112	SPACER
11	1	YMHK92005	S-HOOK
12	2	YPCT08010	COTTER PIN, 1/4 X 2-1/2
13	11	YBCR08005	BOLT CARRIAGE, 1/4 X 1 G5,
14	9	YBCR12020	BOLT CARRIAGE, 3/8 X 1-1/4 G5
15	2	YBPU08005	PIPE U BOLT, 1/4 X 3/4
16	4	YNFG08010	NUT FLANGE, 1/4
17	9	YNFG12006	NUT FLANGE, 3/8
18	11	YNFG08010	NUT FLANGE, 1/4

CHANGE NOTES

1. Added 81269 to Figure 14
2. Added light kit to Figure 16
3. Added Optional Rear Pan to Figure 17.

H&S MFG. CO.

products approved

for the

FEMA

SEAL OF QUALITY

