

# **H&S** PARTS BOOK

## **SW3143 SPREADER**



Revision #04  
Starting Ser. #811MSW4001

Part #72649  
HSMFG0818

**2608 S. HUME AVE. , MARSHFIELD, WI 54449**  
**(715) 387-3414 FAX (715) 384-5463**  
**[www.hsmfgco.com](http://www.hsmfgco.com)**

# CONTENTS

Instructions for Ordering Parts .....	1
Figure 1 - Beater and Pan Assembly .....	2-3
Figure 2 - Hub, Spindle and Box Parts .....	4-5
Figure 3 - Front Shield and Drive Assembly .....	6-9
Figure 4 - Back Shield and Drive Assembly .....	10-13
Figure 5 - Hydraulic Endgate .....	14-15
Figure 6 - Apron Chain Assembly .....	16-17
Figure 7 - Worm Gearbox Assembly .....	18-19
Figure 8 - Bevel Gearbox .....	20-21
Figure 9 - Hydraulic Cylinder .....	22
Figure 10 - PTO .....	23
Figure 11 - PTO 1000RPM .....	24-25
Figure 12 - Optional Second Beater .....	26
Figure 13 - Optional Hydraulic Drive Assembly .....	27
Figure 14 - Optional Electric Control for Hydraulic Drive .....	28-29
Figure 15 - Electric Control for Hydraulic Drive .....	30-31
Parts Notes .....	32

# **INSTRUCTIONS FOR ORDERING PARTS**

All service parts should be ordered through your authorized H&S dealer. They will be able to give you faster service if you will provide them with the following

1. Model & Serial number is located in the front center of the Manure Spreader.
2. All reference to left or right apply to the Manure Spreader as viewed from the rear.
3. Parts should not be ordered from illustration only. Please order by complete part number.
4. If your dealer has to order parts - give shipping instructions:

VIA truck - large pieces (please specify local truck lines)

VIA United Parcel Service (include full address)

H&S MFG. CO. INC.	
MARSHFIELD, WIS.	
MOD. NO.	<input type="text"/>
SER. NO.	<input type="text"/>
DESCR.	<input type="text"/>

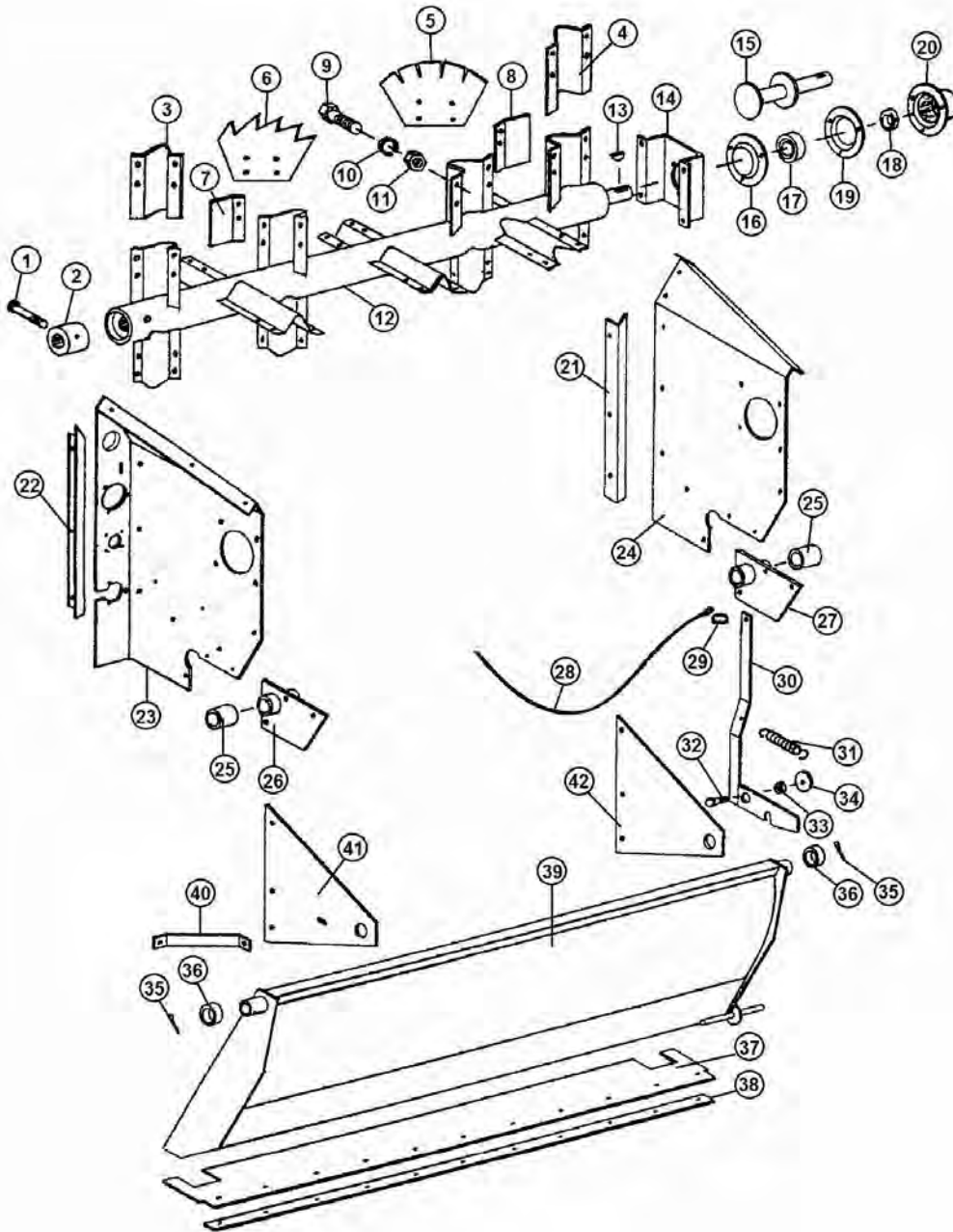
PLEASE RECORD NUMBERS FOR YOUR UNIT FOR QUICK REFERENCE

## **ABOUT IMPROVEMENTS**

H&S IS CONTINUALLY STRIVING TO IMPROVE IT'S PRODUCTS

We must therefore, reserve the right to make improvements or changes whenever it becomes practical to do so without incurring any obligation to make changes or additions to the equipment previously sold.

**FIGURE 1**  
**BEATER & PAN ASSEMBLY**



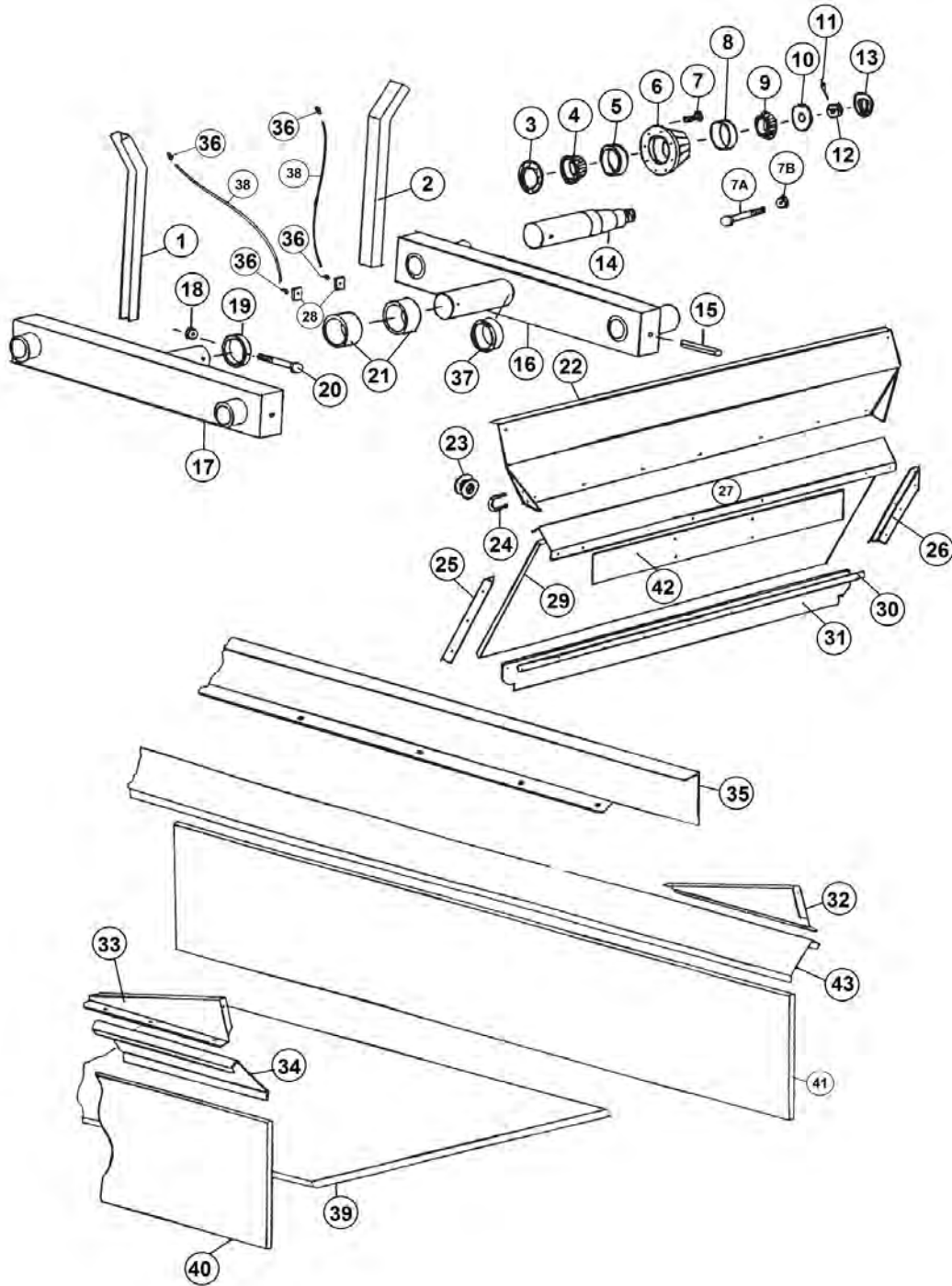
# FIGURE 1

## BEATER & PAN ASSEMBLY

<u>ITEM</u>	<u>PART #</u>	<u>DESCRIPTION</u>
1	YBHH10130	BOLTHEX, 5/16 X 5 G5
2	43NW1	SPLINED BEATER INSERT
3	23N3	BEATER BLADE HOLDER LH
4	23N4	BEATER BLADE HOLDER RH
5	23N276	BEATER BLADE - HARDENED
6	23N277	BEATER BLADE - HARDENED
7	23N7	BEATER BLADE WIPER LH
8	23N8	BEATER BLADE WIPER RH
9	YBHH16045	BOLTHEX, 1/2 X 1-1/4 G5
10	YWLO16005	WASHER LOCK , 1/2
11	YNTL16005	NUTHEX, TOP LOCK, 1/2
12	43NW2	BEATER
13	5B9	WOODRUFF KEY 3/8 X 1-1/4
14	23N10	BEATER SHAFT SUPPORT
15	23N11	BEATER STUB SHAFT BEARING
16	F116	FLANGE (HEAVY DUTY)
17	12N122	BEARING 1-1/4 GREASABLE
18	12N122	BEARING 1-1/4 GREASABLE
19	F114A	FLANGE, 1-1/4 W/45 DEG. ZERK
20	23N12	BEARING FLANGE GUARD SIDE
21	37N1	POLY HOLDDOWN RH SIDE
22	75596	POLY HOLDDOWN LH MAIN
23	43NW3	PANEL LH
24	37N4	MAIN PANEL RH
25	23N17	DRIVE SHAFT BUSHING
26	37N78	DRIVE SHAFT BRACKET LH
27	23N19	DRIVE SHAFT BRACKET RH
28	37N5	PAN TRIP ROPE
29	R31	CLIP
30	23N21	PAN TRIP LEVER
31	R27	SPRING
32	YBCR16010	BOLTCARRIAGE, 1/2 X 1-1/2 G5
33	23N23	TRIP LEVER SPACER WASHER
34	YWFL16005	WASHER FLAT, 1/2
35	YPCT06020	COTTER PIN, 3/16 X 2
36	F112	SPACER
37	23N24	PAN RUBBER FLAP
38	23N25	PAN STRAP
39	23N30	PAN
40	23N26	PAN SUPPORT BRACE
41	43NW4	PAN SUPPORT LH
42	23N29	PAN SUPPORT RH

# FIGURE 2

## HUB, SPINDLE & BOX PARTS



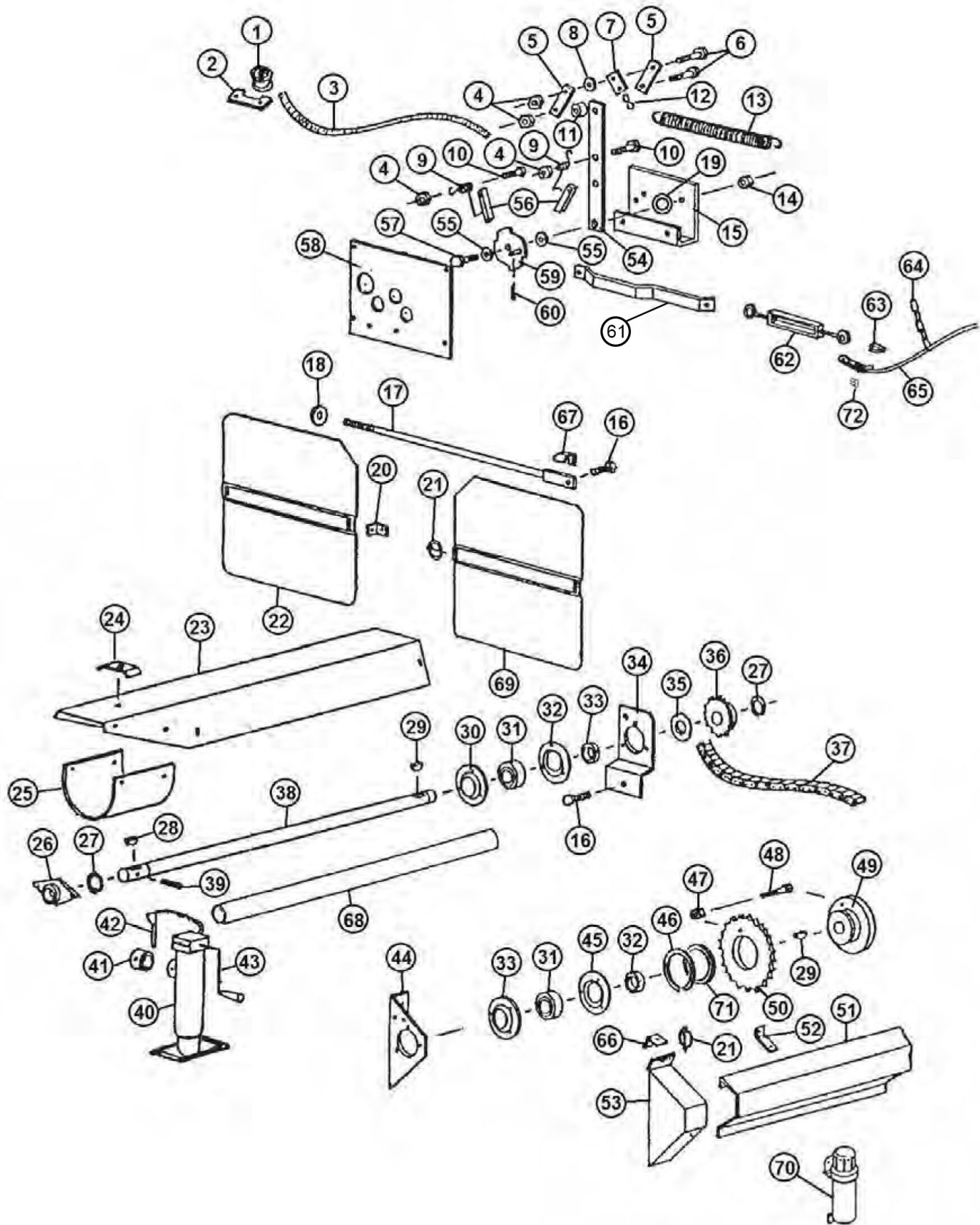
## FIGURE 2

### HUB, SPINDLE AND BOX PARTS

<u>ITEM</u>	<u>PART #</u>	<u>DESCRIPTION</u>
1	37N6	SIDE STAKE RH
2	37N7	SIDE STAKE LH
3	B90	SEAL
4	B91	INNER BEARING
5	B91A	INNER RACE
6	26G4A	HUB ASSEMBLY
7A	YBSD20005	STUD BOLT, 5/8 - 18 X 2 1/4
7B	YNWL20005	WHEEL NUT, 5/8
8	B94A	OUTER RACE
9	B94	OUTER BEARING
10	YWFL28005	WASHER FLAT, 7/8
11	YPCT05020	COTTER PIN, 5/32 X 1-3/4
12	YNSL28005	NUT HEX, SLOTTED, 7/8
13	B2	HUB CAP
14	16SV203	SPINDLE 2-1/2 X 18-1/2
*	37N8	SPINDLE FOR 8 X 20 WHEEL
15	YPEX16020	EXPANSION PIN, 1/2 X 4
16	37N85	AXLE LH
17	37N84	AXLE RH
18	YNTL16005	NUT HEX, TOP LOCK, 1/2
19	37N86	RING
20	YBHH16150	BOLT HEX, 1/2 X 4-3/4 G5
21	70150	POLY BUSHING
22	23N34	FRONT FLARE
23	F33	SIDE CABLE GUIDE
24	YBPU08005	PIPE U BOLT, 1/4 X 3/4
25	37N12	PLYWOOD ANGLE RH
26	37N13	PLYWOOD ANGLE LH
27	23N176	FRONT END BRACE
28	16V9	GREASE ZERK BRACKET
29	37N65A	FRONT GATE PLYWOOD W/FIBERGLASS
30	23N40	STRAP FOR RUBBER
31	23N41	FRONT GATE RUBBER
32	23N42	SPLASH GUARD LEFT
33	23N43	SPLASH GUARD RIGHT
34	43N3	SIDE FLARE RH
35	43N1	SIDE EXTENSION LH
36	S47	GREASE LINE FITTING
37	70162	POLY BUSHING
38	31N43	GREASE LINE
39	37N81	SOLID POLY FLOOR
40	37N67A	SIDE PLYWOOD W/FIBERGLASS LH
41	37N68A	SIDE PLYWOOD W/FIBERGLASS RH
42	37N51	FRONT PANEL
43	43N4	SIDE FLARE LH
*	12V36	WHEEL, 16.1 X 14, 8 BOLT
*	23N179A	WHEEL, 8.25 X 22.5, 8 BOLT

\* MEANS NOT SHOWN

**FIGURE 3**  
**FRONT SHIELD & DRIVE ASSEMBLY**





## **FIGURE 3**

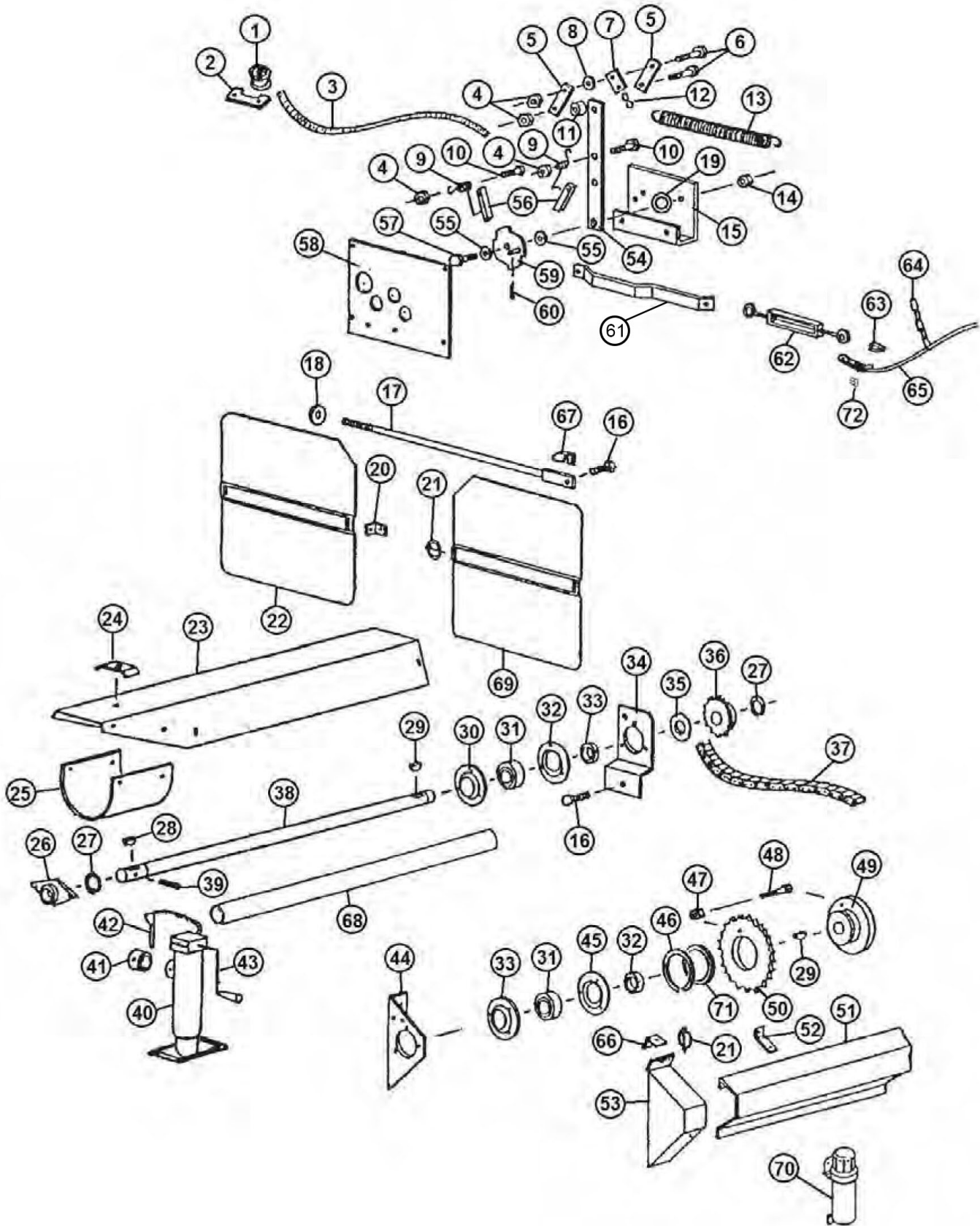
### **FRONT SHIELD & DRIVE ASSEMBLY**

<b><u>ITEM</u></b>	<b><u>PART #</u></b>	<b><u>DESCRIPTION</u></b>
1	F33	CABLE GUIDE
2	23N182	BRACKET
3	77192	ROPE (15)
4	YNTL12005	NUT HEX, TOP LOCK, 3/8
5	23N184	BRACKET
6	YBHH12035	BOLT HEX, 3/8 X 1-1/4 G5
7	23N185	SPRING BRACKET
8	YWFL12005	WASHER FLAT, 3/8
9	23N186	DOG SPRING
10	YBHH12010	BOLT HEX, 3/8 X 1 G5
11	D107	SPACER
12	X79	S-HOOK
13	23N187	SPRING
14	YNHX16005	NUT HEX, 1/2
15	23N188	SHIFTER BRACKET
16	YBHH16045	BOLT HEX, 1/2 X 1-1/4 G5
17	23N63	TIGHTENER ROD
18	F129	TIGHTENER WASHER
19	31N51	SHIFTER SPACER WASHER
20	F92	FRONT SHIELD BRACKET
21	S122	LYNCH PIN W/LANDYARD
22	23N305	FRONT SHIELD
23	23N66	SHIELD
24	23N67	FRONT HOSE BRACKET
*	HE42	HOSE BRACKET
25	F54	PTO RUBBER
26	12N29	BEARING
27	F73	SNAP RING
28	5B10	KEY, 1/4 X 1
29	5B9	KEY, 3/8 X 1-1/4
30	F114	FLANGE, 1-1/4 STRAIGHT ZERK
31	12N122	BEARING W/LOCK COLLAR 1-1/4
32	12N122	BEARING W/LOCK COLLAR 1-1/4
33	F14	FLANGE
34	23N68	FRONT ADJUSTMENT PLATE
35	23N69	FRONT SHAFT SPACER
36	43NW5	SPROCKET (19T)
*	43NW21	SPROCKET (11T) (OPTIONAL 1000 RPM)

**\* MEANS NOT SHOWN**

# FIGURE 3

## FRONT SHIELD & DRIVE ASSEMBLY



## **FIGURE 3**

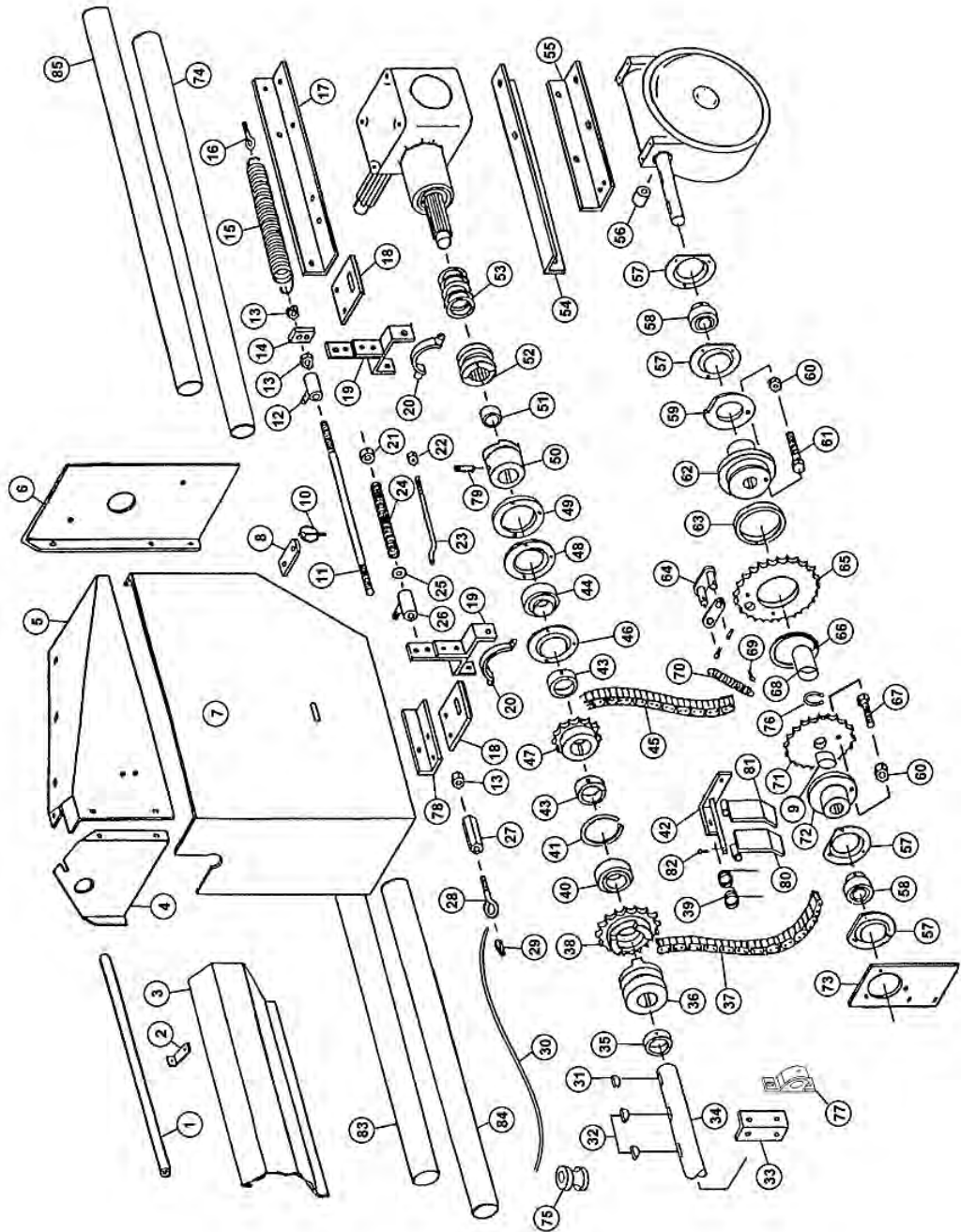
### **FRONT SHIELD & DRIVE ASSEMBLY**

<b><u>ITEM</u></b>	<b><u>PART #</u></b>	<b><u>DESCRIPTION</u></b>
37	43NW6	ROLLER CHAIN (#80, 92P)
38	43NW7	FRONT SHAFT
39	YPEX10020	EXPANSION PIN, 5/16 X 2-1/4
40	27N49	JACK
*	12N120	JACK GEAR REPAIR KIT
41	27N51	JACK MOUNT
42	27N50	JACK PIN
43	12N119	HANDLE
*	12N118	REPLACEMENT BEARING
44	23N74	BEARING PLATE
45	F114A	FLANGE
46	23N189	SNAP RING
47	YN TL12005	NUT HEX, TOP LOCK, 3/8
48	YBHH12025	BOLT HEX, 3/8 X 1-1/2 G5
49	45N71	SHEAR HUB
50	45N68	SPROCKET (23T)
51	37N27	SIDE SHIELD
52	23N79	BRACKET
53	23N80	SHIELD
54	23N192	FRONT SHIFTER ARM
55	YWFL16005	WASHER FLAT, 1/2
56	23N193	DOG
57	YBHH16055	BOLT HEX, 1/2 X 1-3/4 G5
58	23N195	SHIFTER PANEL
59	23N196	SPEED SELECTOR
60	YPCT04005	COTTER PIN, 1/8 X 1
61	23N197	SHIFTER ARM
62	F84	TURNBUCKLE
63	ES14	CABLE LOOP
64	37N64	CABLE CHAIN
65	37N53	CABLE
66	F92	SHIELD BRACKET
67	23N278	SPACER
68	37N74	FRONT SHAFT GUARD
69	23N306	FRONT SHIELD LH
70	S522	MANUAL HOLDER
71	C112G01	SHEAR HUB SPACER
72	31N51	SHIFTER SPACER WASHER

**NOTE: \* MEANS NOT SHOWN**

# FIGURE 4

## BACK SHIELDS & DRIVE ASSEMBLY



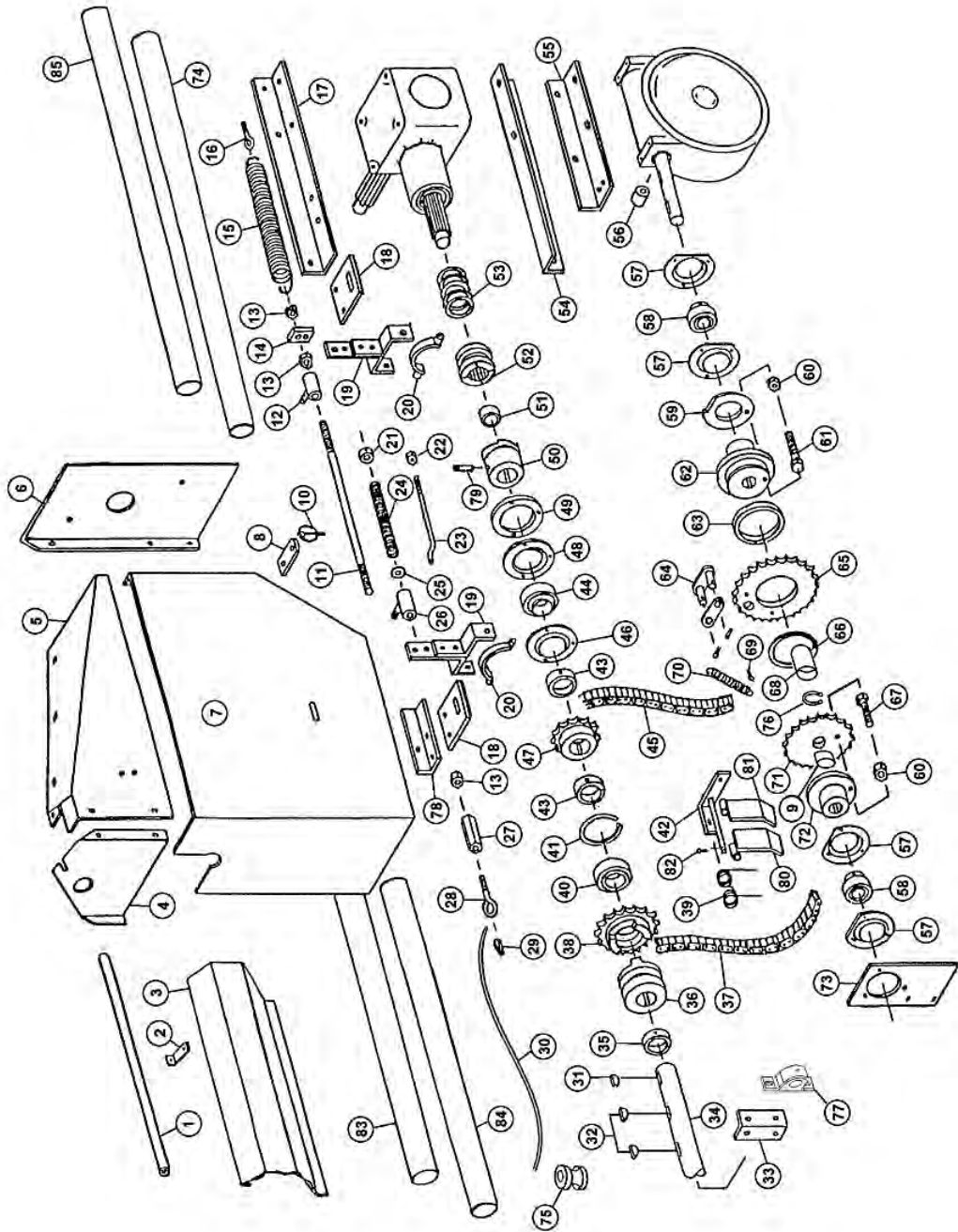
## FIGURE 4

### BACK SHIELDS & DRIVE ASSEMBLY

<u>ITEM</u>	<u>PART #</u>	<u>DESCRIPTION</u>
1	23N200	CABLE GUARD
2	23N79	SIDE SHIELD BRACKET
3	37N54	SIDE SHIELD
4	43NW10	SHIELD
5	43NW11	BACK SHIELD TOP
6	43NW12	BACK SHIELD
7	43NW13	COVER
8	43NW14	SHIELD BRACKET
9	56027	BUSHING
10	S122	LYNCH PIN W/LANDYARD
11	23N205	CLUTCH ROD
12	23N206	SHIFTING ROD BRACKET
13	YNHX12005	NUT HEX, 3/8
14	23N207	SPRING BRACKET
15	K103	SPRING
16	YBTE10030	BOLT TURNED EYE, 5/16 X 3
17	43NW16	ANGLE
18	23N86	SHIFTER BRACKET
19	D57	SHIFTER LEVER
20	23N208	YOKE W/ZERK
21	23N209	COLLAR
22	YNTL08005	NUT HEX, TOP LOCK, 1/4
23	23N210	SHIFTING ROD
24	23N211	SPRING BRACKET
25	YWFL12005	WASHER FLAT, 3/8
26	23N206	ROD BRACKET
27	23N212	COUPLING NUT
28	YBTE12005	BOLT TURNED EYE, 3/8 X 1
29	ES14	CABLE LOOP
30	37N53	CABLE
31	5B9	WOODRUFF KEY, 3/8 X 1-1/4
32	5B10	WOODRUFF KEY, 1/4 X 1
33	23N97	SIDE BEARING BRACKET
34	43NW19	SIDE SHAFT
35	F6	COLLAR
36	23N215	THROW-OUT CLUTCH
37	23N93	CHAIN (#50, 60P)
38	23N216	CLUTCH SPROCKET
*	61138	CLUTCH SPROCKET COMPLETE
39	31N33	SPRING TIGHTENER
40	BFR525	BEARING W/LOCK COLLAR
41	3G19	SNAP RING
42	31N36	TIGHTENER BRACKET
43	12N122	BEARING W/LOCK COLLAR

# FIGURE 4

## BACK SHIELDS & DRIVE ASSEMBLY



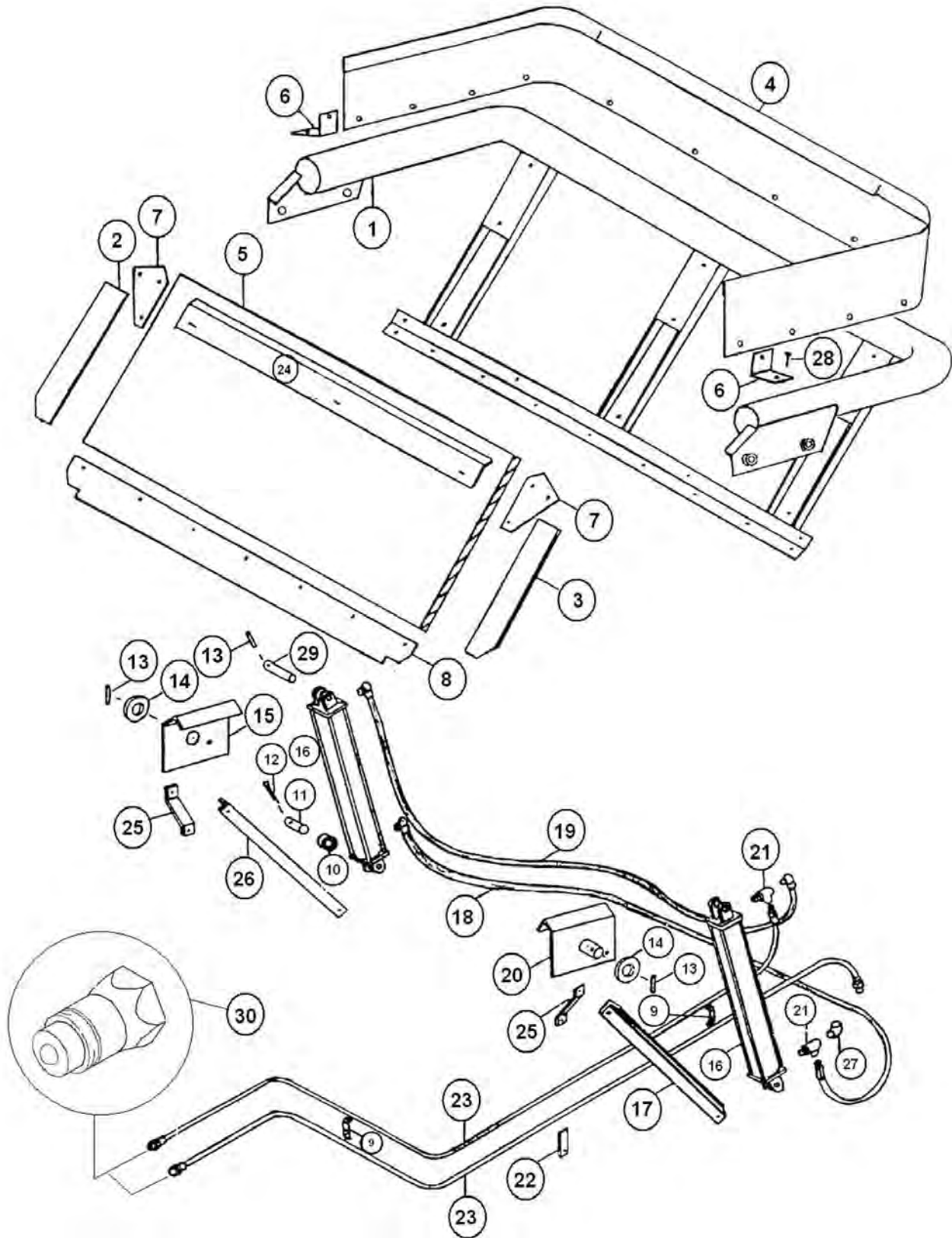
## FIGURE 4

### BACK SHIELDS & DRIVE ASSEMBLY

<u>ITEM</u>	<u>PART #</u>	<u>DESCRIPTION</u>
44	12N122	BEARING W/LOCK COLLAR 1-1/4
45	23N93	CHAIN (#50, 60P)
46	F114A	FLANGE
47	10R11	SPROCKET (13T)
48	F14	FLANGE
49	23N174	FLANGE SPACER
50	23N241	CLUTCH
51	D68	BRONZE BUSHING
52	23N90	CLUTCH
53	43NW17	SPRING
54	43NW18	BOTTOM ANGLE
55	23N95	WORM BOX HOLDER
56	23N94	SPACER
57	X85	FLANGE
58	23N221	BEARING W/ SETSCREWS
59	23N222	SHEAR PLATE
60	YNTL08005	NUT HEX, TOP LOCK, 1/4
61	YBHH08035	BOLT HEX, 1/4 X 1-1/4 G5
62	23N224	SHEAR HUB
63	23N225	BRONZE BUSHING
64	60531	CONNECTOR LINK W/ PINS
65	74381	SPROCKET (50T A 30T)
*	23N226	SPROCKET W/BUSHING (50T A 30T)
66	23N227	SNAP RING
67	YBHH08035	BOLT HEX, 1/4 X 1-1/4 G5
68	56029	SPACER
69	YPCT04005	COTTER PIN, 1/8 X 1
70	23N229	DOG SPRING
71	56026	SPROCKET (25T)
*	56036	SPROCKET W/BUSHING INCLUDES ITEMS 71 & 9
72	56025	SHEAR HUB
73	23N230	BEARING PANEL
74	60644	#4 SIDE SHAFT GUARD
75	F33	CABLE GUIDE
76	56024	EXTERNAL SNAP RING, 1-1/2
77	12N36	PILLOW BLOCK BEARING
78	23N239	SHIFTER SUPPORT
79	YSFD12005	SET SCREW, SOCKET, FULL DOG PT, 3/8 - 16 X 3/4
80	31N34	TIGHTENER BAR LH
81	31N35	TIGHTENER BAR RH
82	YPCT04005	COTTER PIN, 1/8 X 1
*	X60	OFFSET LINK (#50)
*	X61	CONNECTOR LINK (#50)
*	31N38	CHAIN TIGHTENER COMPLETE
83	37N76	#2 SIDE SHAFT GUARD
84	37N75	#1 SIDE SHAFT GUARD
85	37N76	#2 SIDE SHAFT GUARD

**NOTE: \* MEANS NOT SHOWN**

**FIGURE 5**  
**HYDRAULIC ENDGATE ASSEMBLY**





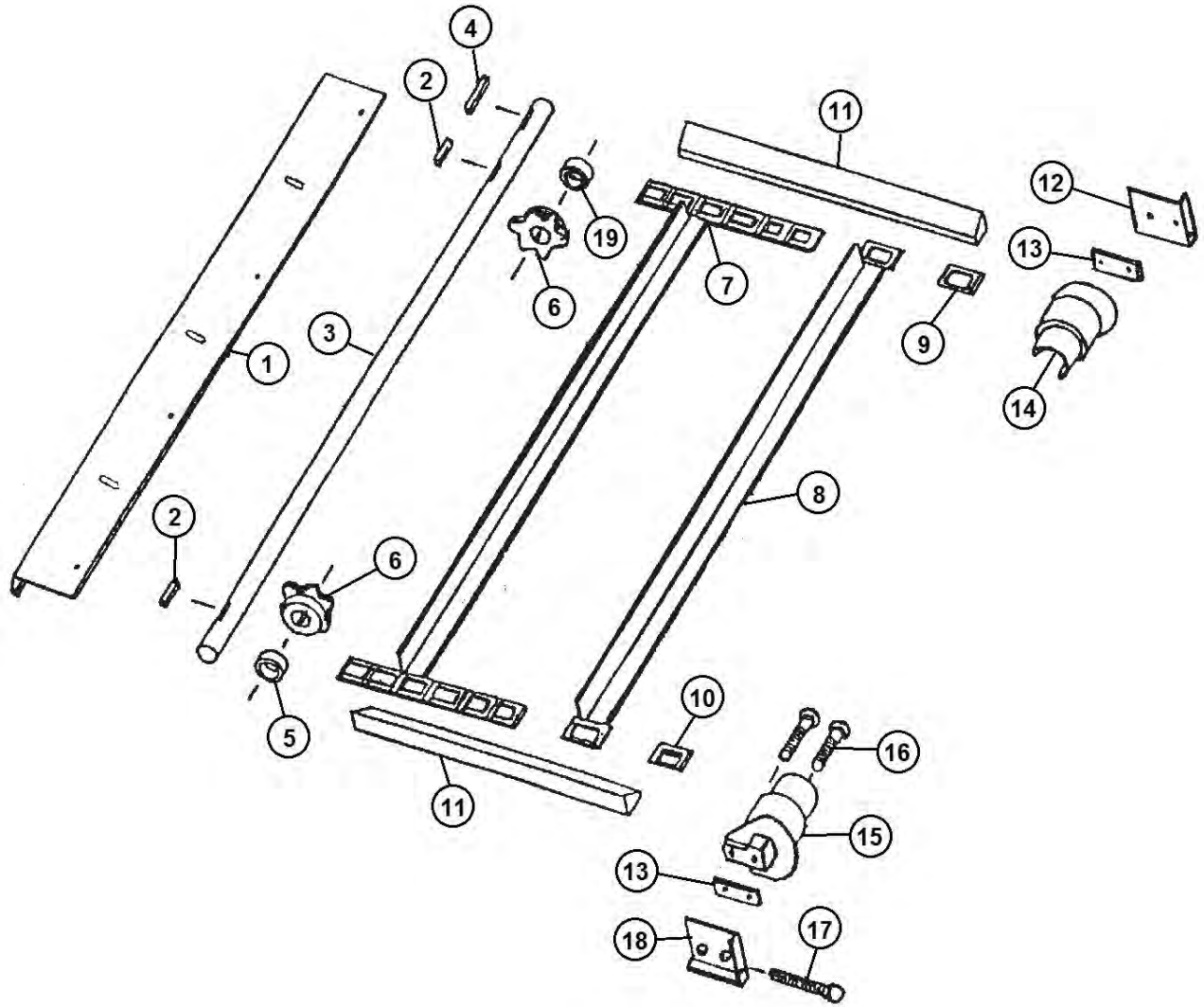
# **FIGURE 5**

## **HYDRAULIC ENDGATE ASSEMBLY**

<b><u>ITEM</u></b>	<b><u>PART #</u></b>	<b><u>DESCRIPTION</u></b>
1	37N34	TAILGATE FRAME
2	37N35	SIDE RUBBER RH
3	37N36	SIDE RUBBER LH
4	43N5	BACK EXTENSION
5	37N69A	TAILGATE PLYWOOD WITH FIBERGLASS
6	43N6	EXTENSION ANGLE
7	23N104	TAILGATE CORNER
8	23N105	BOTTOM RUBBER
9	23N67	HOSE BRACKET
10	K132	SPACER
11	23N107	CYLINDER PIN
12	YPCT07005	COTTER PIN, 7/32 X 2
13	YPEX10015	EXPANSION PIN, 5/16 X 1-3/4
14	23N109	SPACER
15	23N110	TAILGATE MOUNT RH
16	23N111A	HYDRAULIC CYLINDER
*	56015	HYDRAULIC CYLINDER (2 x 16)
17	37N59	TAILGATE BRACE LH
18	37N60	HYD HOSE, 6, 96IN
19	37N61	HYD HOSE, 6, 138IN
20	23N115	TAILGATE MOUNT LH
21	23N116	TEE
22	23N117	HOSE HOLDER
23	77331	HYD HOSE, 6, 238IN
24	23N163	TAILGATE POLY HOLD DOWN
25	23N232	TAILGATE BRACKET BRACE
26	37N62	TAILGATE BRACE RH
27	23N234	FITTING, 90, 3/8NPT
28	12V3	BOLT SELF TAPPING
29	23N301	CYLINDER PIN
30	DWM205	MALE QUICK COUPLER

# FIGURE 6

## APRON CHAIN ASSEMBLY



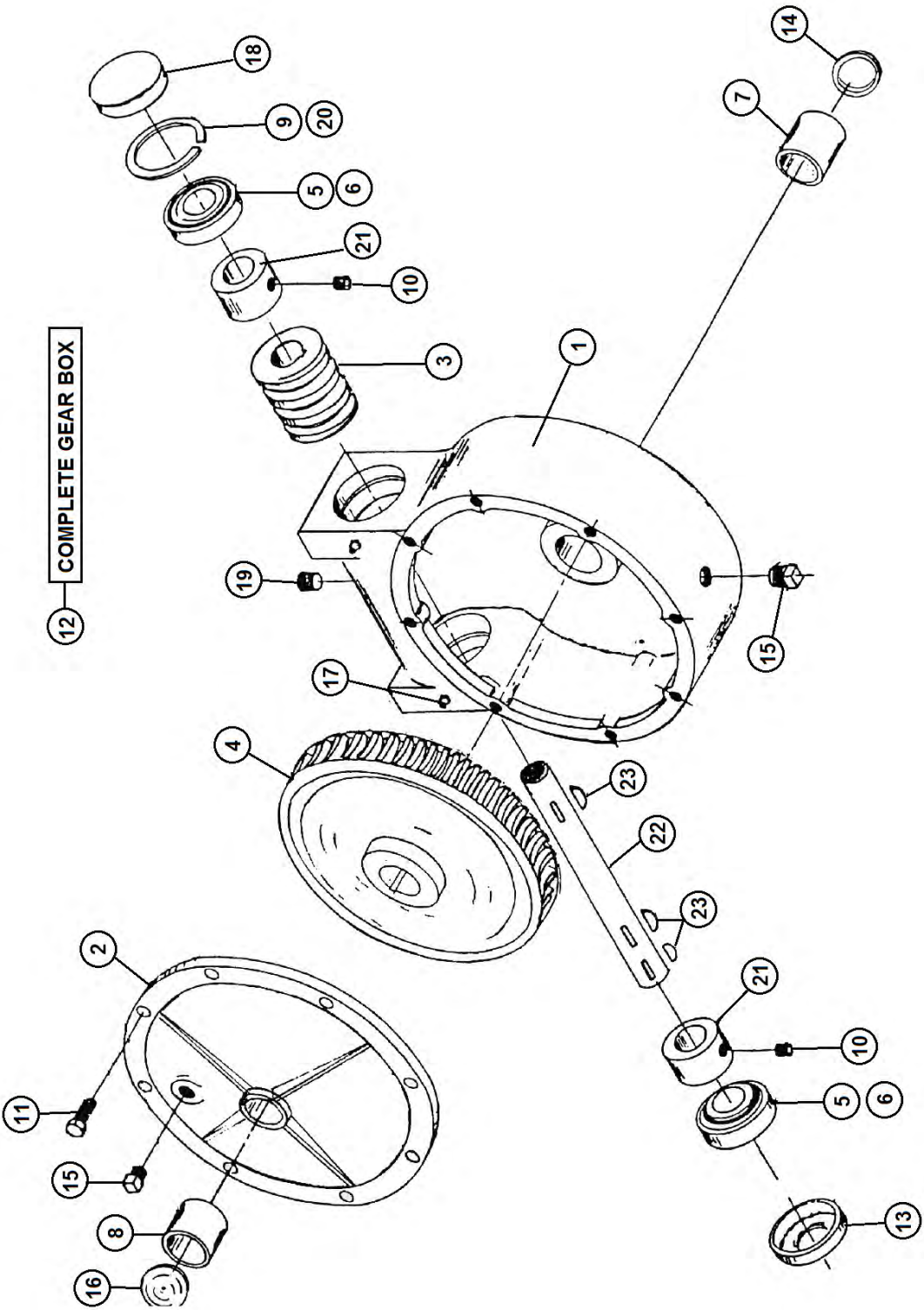
## FIGURE 6

### APRON CHAIN ASSEMBLY

<u>ITEM</u>	<u>PART #</u>	<u>DESCRIPTION</u>
1	37N82	REAR POLY HOLDOWN
2	23N303	SQUARE KEY, 3/8 X 1-3/4
3	27N19	DRIVE SHAFT
4	S138	SQUARE KEY W/ ROUND ENDS, 3/8 X 2-3/8
5	23N121	SPACER 5/8
6	23N122	DRIVE SPROCKET (6T)
7	37N42	APRON CHAIN 28 SLATS, 280 LINKS
8	23N124	SLAT W/ ATTACHMENT LINKS
9	S55	T-ROD STANDARD LINK
10	S55	T-ROD CONNECTOR LINK
11	37N43	APRON CHAIN SIDE SPACERS
12	A30	CHAIN SLIDE PLATE LH
13	23N126	CHAIN SLIDE SPACER
14	23N127	T-ROD SLIDE LH
15	23N128	T-ROD SLIDE RH
16	YBCR16045	BOLT CARRIAGE, 1/2 X 4 G5
17	YBHH16145	BOLT HEX, FULL THREAD, 1/2 X 4-1/2 G5
18	A29	CHAIN SLIDE PLATE RH
19	23N266	SPACER, 5/16

# FIGURE 7

## WORM GEARBOX ASSEMBLY



# FIGURE 7

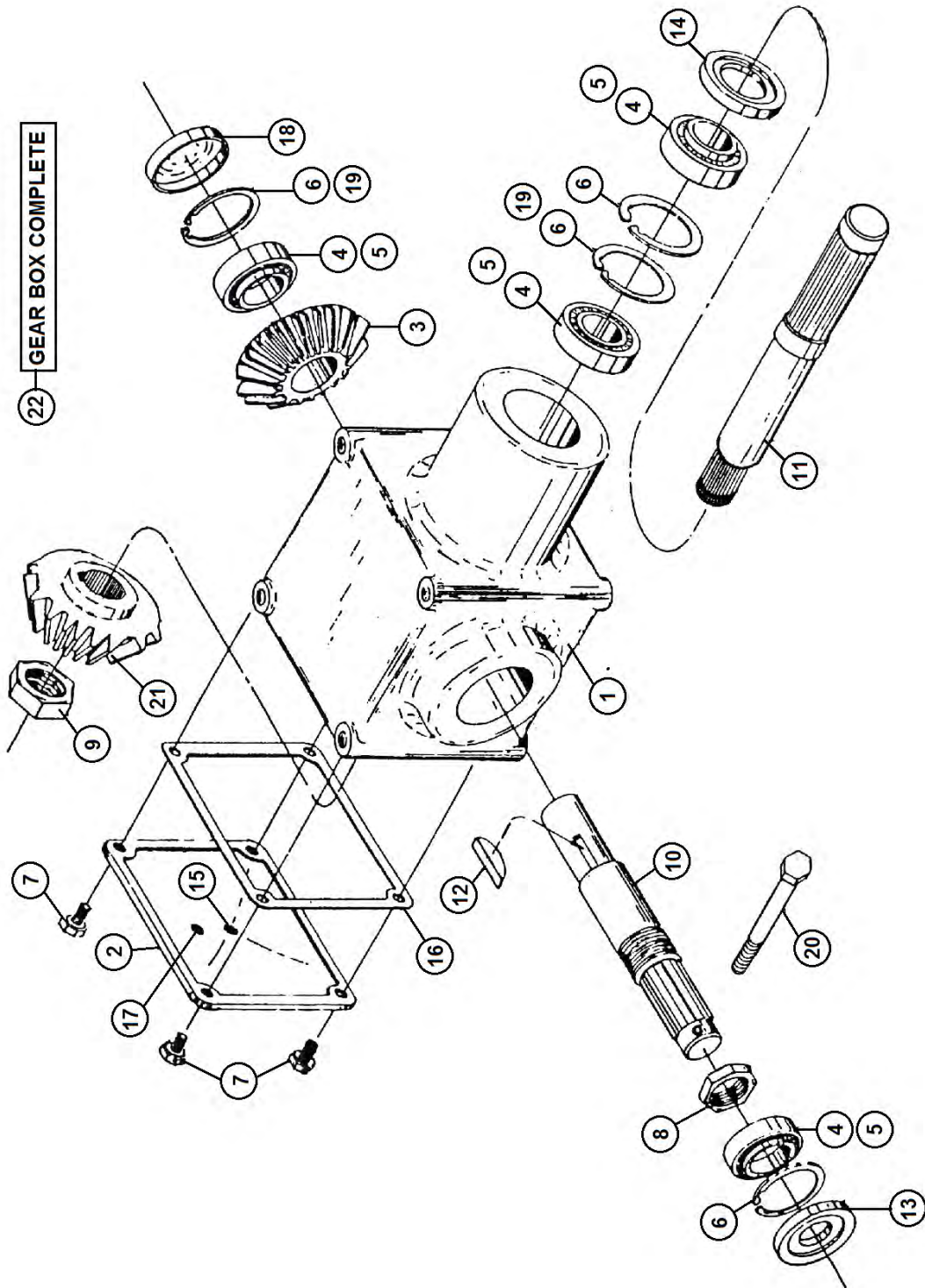
## WORM GEARBOX ASSEMBLY

<u>ITEM</u>	<u>PART #</u>	<u>DESCRIPTION</u>
1	G114	HOUSING
2	G116	COVER
3	G76	WORM
4	G77	WORM GEAR
5	G78	BEARING
6	G79	RACE
7	X8	BEARING - OIL LITE
8	X75	BEARING - OIL 1 1/2 X 1 3/4 X 1 1/4
9	G82	SNAP RING
10	YSKP12025	SET SCREW, SOCKET, KNURLED CUP PT, 3/8 X 3/8
11	YSKP12005	SET SCREW, SOCKET, KNURLED CUP PT, 3/8 X 1
12	G122	WORM GEARBOX COMPLETE
13	G123	SEAL
14	17G133	SEAL
15	G65	PLUG, 3/8 NPT
16	G117	CAP
17	G89	GREASE ZERK, 1/4
18	G90	CAP
19	G91	VENT PLUG, 3/8 NPT
20	G92	SHIM
21	G93	SPACER
22	23N236	WORM GEAR SHAFT
23	5B10	WOODRUFF KEY, 1/4 X 1
*	G88	GASKET

**\* MEANS NOT SHOWN**

# FIGURE 8

## BEVEL GEARBOX



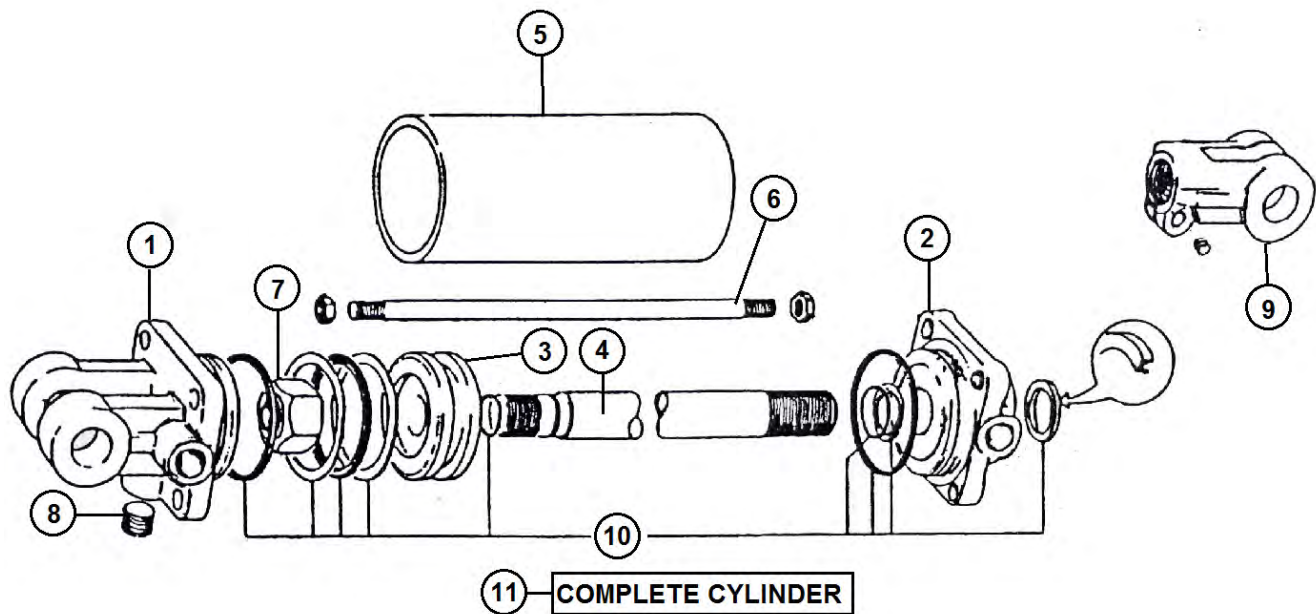
# FIGURE 8

## BEVEL GEARBOX

<u>ITEM</u>	<u>PART #</u>	<u>DESCRIPTION</u>
1	G125	HOUSING
2	G126	COVER
3	G127	BEVEL GEAR (33T)
4	G128	RACE
5	G129	BEARING
6	G130	SNAP RING
7	G131	CAPSCREW
8	G132	STAKE NUT
9	G133	STAKE NUT
10	G134	OUTPUT SHAFT
11	G135	INPUT SHAFT
12	G61	WOODRUFF KEY (HARD)
13	G136	OUTPUT SEAL
14	G137	INPUT SEAL
15	G65	PLUG, 3/8 NPT
16	G138	GASKET
17	G139	KEY SQUARE, 3/8 X 1-1/2 - HARD
18	G140	CAP
19	G141	SHIM
20	YBHH10130	BOLTHEX, 5/16 X 5 G5
21	G142	SPLINED BEVEL GEAR (22T)
22	G143	BEVEL GEARBOX COMPLETE
*	G144	VENT PLUG
*	G145	PLUG

# FIGURE 9

## HYDRAULIC CYLINDER

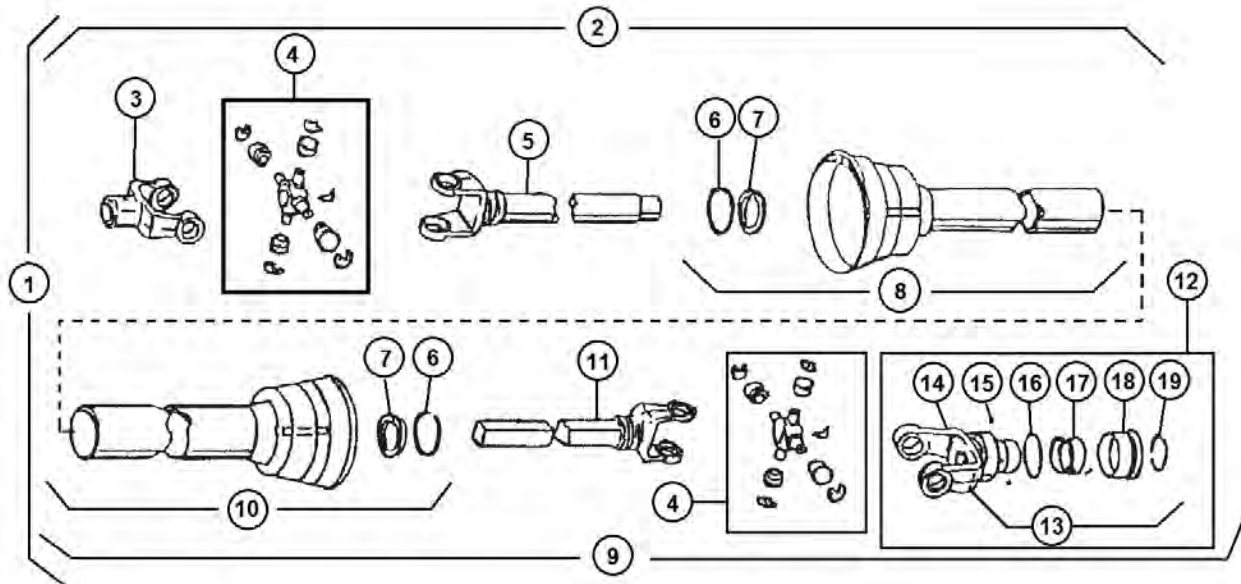


<u>ITEM</u>	<u>PART #</u>	<u>DESCRIPTION</u>
1	23N142A	CLEVIS CAP
2	23N143A	ROD CAP
*	56174	ROD CAP FOR 2 IN CYLINDER
3	23N144	PISTON
*	56180	PISTON FOR 2 IN CYLINDER ROD
4	23N145A	CAP
5	23N146	CYLINDER TUBE
6	23N147	TIE ROD
7	23N148	PISTON NUT
8	23N149	PLUG
9	23N150A	ROD CLEVIS
10	23N151	SEAL KIT
*	56187	SEAL KIT FOR 2 IN CYLINDER
11	23N111A	HYDRAULIC CYLINDER
*	56015	HYDRAULIC CYLINDER (2 X 16)



# FIGURE 10

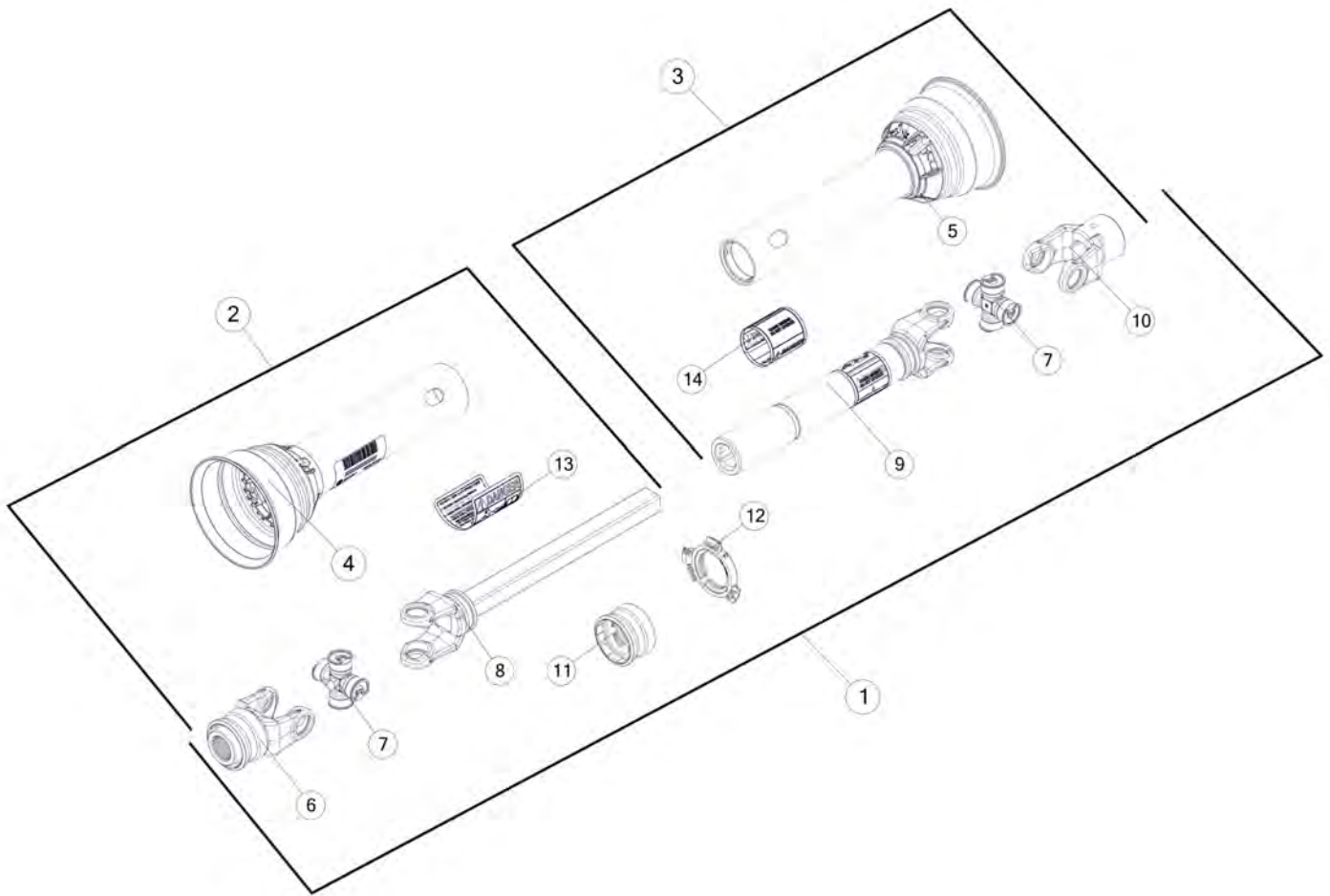
## PTO ASSEMBLY



<u>ITEM</u>	<u>540 RPM</u>	<u>DESCRIPTION</u>
1	23N152	PTO COMPLETE
2	23N153	MACHINE HALF PTO W/SHIELDS
3	G1R35	END YOKE MACHINE HALF
4	14NWKIT	REPAIR KIT
5	23N155	YOKE AND TUBE
6	24N26	BEARING RETAINER
7	4N20	NYLON BEARING
8	23N156	INNER GUARD INCLUDING ITEM #6 & #7
9	23N157	TRACTOR HALF PTO W/SHIELD OUTER
10	23N158	GUARD INCLUDING ITEM #6 & #7 YOKE
11	23N159	AND SHAFT
12	23N162	LOCK YOKE ASSEMBLY
13	S225	SPRING LOCK REPAIR KIT
14	S226	COVER
15	S212	STAINLESS BALL
16	S227	WASHER
17	S228	SPRING
18	S229	COLLAR ASS EMBLY
19	S215	RETAINING RING
*	S402	PTO SAFETY MANUAL

\* MEANS NOT SHOWN

**FIGURE 11**  
**PTO ASSEMBLY (1000RPM)**



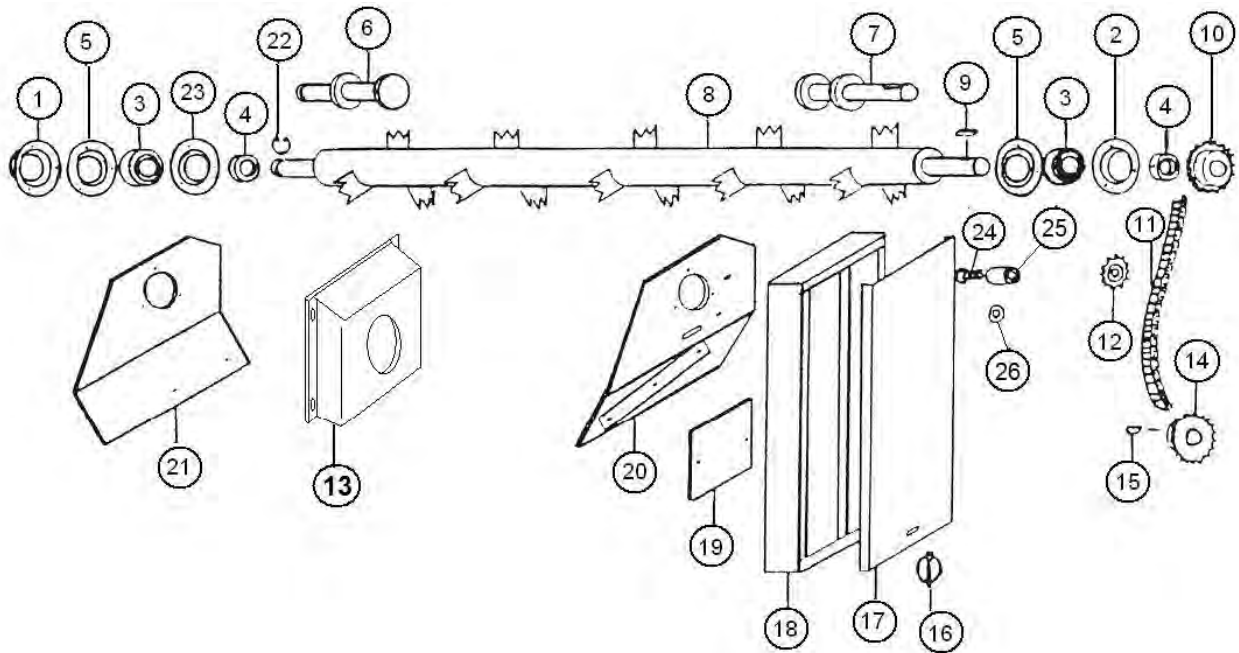
**FIGURE 11**  
**PTO ASSEMBLY (1000RPM)**

<b><u>ITEM</u></b>	<b><u>PART #</u></b>	<b><u>DESCRIPTION</u></b>
1	23N313	14R DRIVE SHAFT PTO /WITH GUARD
2	23N314	PTO TRACTOR HALF W/SHIELD
3	23N153	MACHINE HALF PTO W/SHIELD
4	55864	OUTER GUARD
5	23N156	INNER GUARD
6	37N73	1000 RPM YOKE
7	14NW KIT	14R CROSS & BEARING KIT
8	23N159	YOKE AND SHAFT
9	23N155	YOKE AND TUBE
10	G1R35	YOKE
11	S225	SPRING-LOK REPAIR KIT
12	55861	GUARD REPAIR KIT
*	S402	ADMA SAFETY MANUAL

**\* MEANS NOT SHOWN**

## FIGURE 12

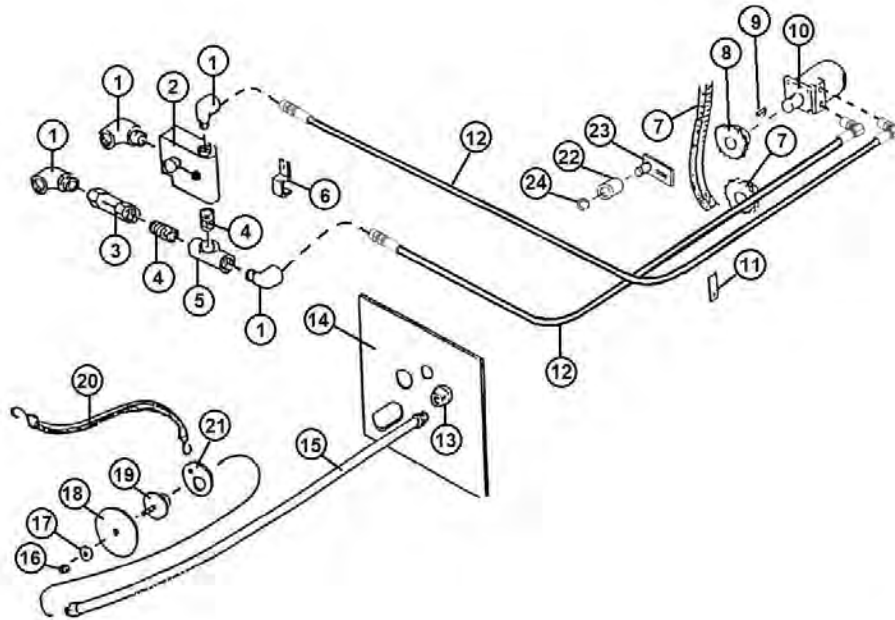
### OPTIONAL 2ND BEATER



<u>ITEM</u>	<u>PART #</u>	<u>DESCRIPTION</u>
1	77318	BEARING FLANGE
2	F114A	BEARING FLANGE W/45 DEG
3	12N122	ZERK BALL BEARING
4	12N122	BALL BEARING
5	F14	BEARING FLANGE W/ZERK
6	23N164	STUB SHAFT LH
7	23N165	STUB SHAFT RH
8	23N166	SECOND BEATER
9	G23B	SQUARE KEY, 5/16 X 1-1/4
10	D18	SPROCKET (16T)
11	37N49	ROLLER CHAIN (#60, 79P)
12	12N42	IDLER SPROCKET (15T) BEATER
13	57216	BEARING PROTECTOR
14	F13	SPROCKET (20T)
15	5B9	WOODRUFF KEY, 3/8 X 1-1/4
16	S122	LYNCH PIN W/LANDYARD
17	23N169	COVER
18	37N48	SHIELD
19	77610	SHIELD
20	37N46	PANEL RH
21	37N47	PANEL LH
22	F73	SNAP RING, 1-1/4
23	F114A	FLANGE W/ STRAIGHT ZERK
24	YBCR16030	BOLT CARRIAGE, 1/2-13 X 2-1/2 G5
25	23N168	SPACER
26	12N44	SHIM

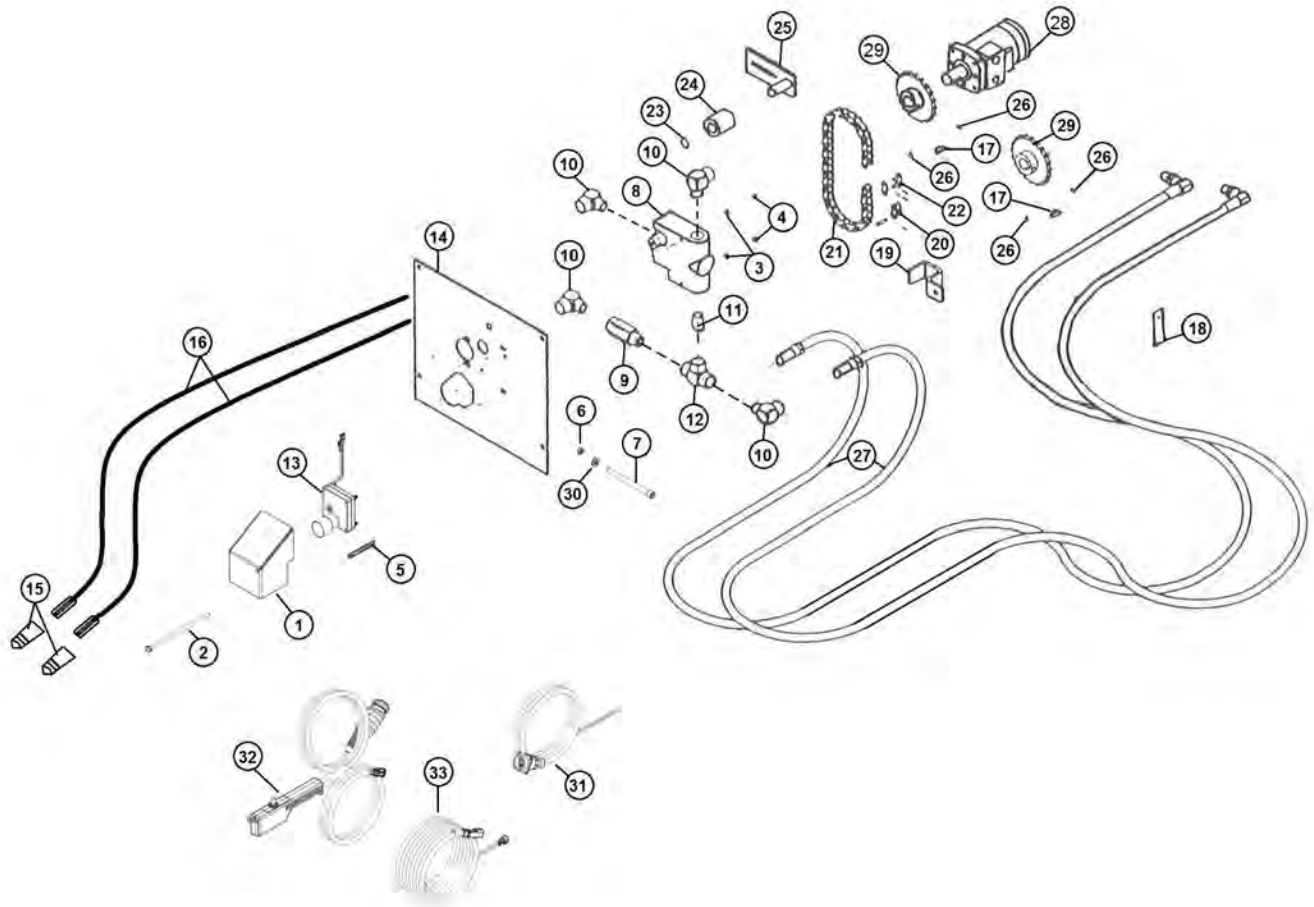
# FIGURE 13

## OPTIONAL HYDRAULIC DRIVE ASSEMBLY



<u>ITEM</u>	<u>PART #</u>	<u>DESCRIPTION</u>
1	HE58	FITTING, 90, 1/2NPT, 1/2NPT
2	DF15	SPEED CONTROL
3	DF18	CHECK VALVE
4	DF7	FITTING STRAIGHT, 1/2NPT, 1/2NPT
5	DF8	FITTING TEE, 1/2NPT,1/2NPT,1/2NPT
6	HE14	PIPE BRACKET
7	23N131	ROLLAR CHAIN (#50, 40P)
8	11S19	SINGLE SPROCKET (20T)
9	5B10	WOODRUFF KEY 1/4 X 1
10	DF1	HYD MOTOR
11	23N117	HOSE HOLDER
12	77330	HYD HOSE, 6, 224IN
13	DF21	REDUCER
14	23N133	CONTROL PANEL
15	DF9	HYD HOSE, 8, 72IN
16	YNTL12005	NUT HEX, 3/8
17	DF12	SPACER
18	DF11	CONTROL HANDLE
19	DF10	HANDLE BRACKET
20	DF14	STRAP
21	DF22	RING FOR STRAP
22	23N238	CHAIN TIGHTENER ROLLER
23	L10R35	CHAIN TIGHTENER
24	10R32	SNAP RING EXTERNAL

**FIGURE 14**  
**OPTIONAL ELECTRIC CONTROL FOR HYDRAULIC DRIVE**



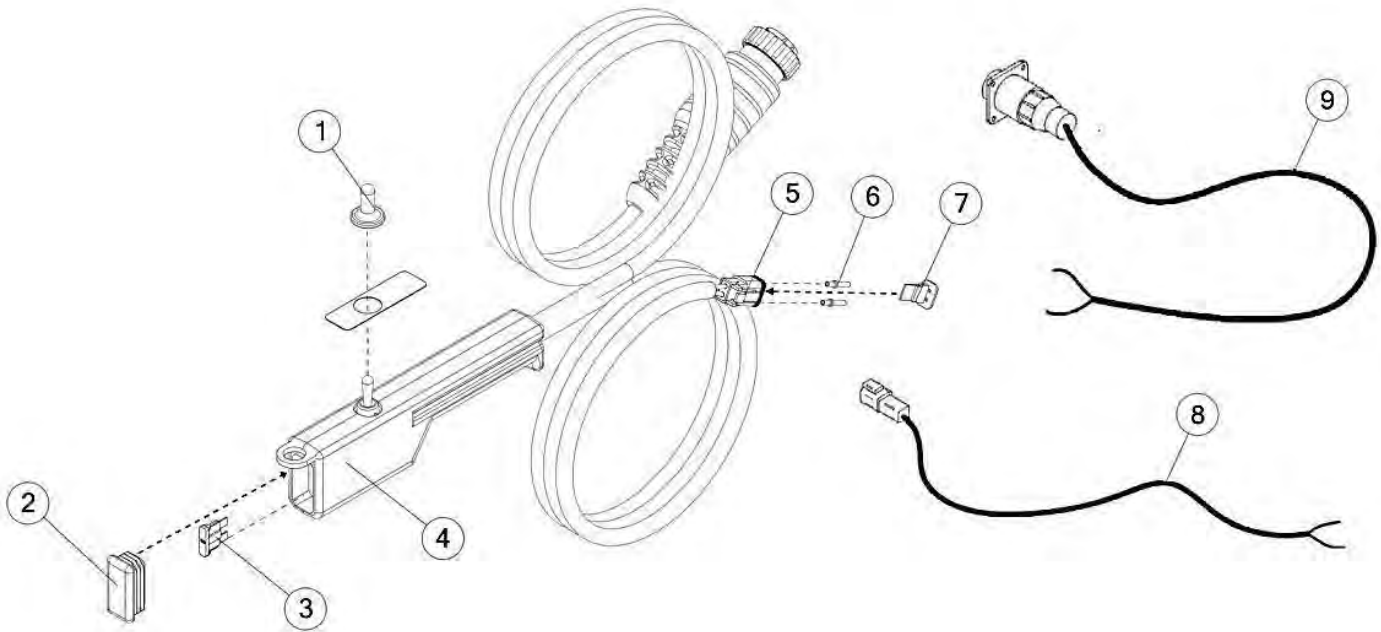
## FIGURE 14

### OPTIONAL ELECTRIC CONTROL FOR HYDRAULIC DRIVE

<u>ITEM</u>	<u>QTY</u>	<u>PART #</u>	<u>DESCRIPTION</u>
1	1	81058	MOTOR SHIELD HOLDER
2	1	YBHH08127	SHIELD BOLT
3	2	YWLO08005	WASHER LOCK, 1/4
4	2	YNL08005	NUT HEX, 1/4 G2
5	2	YBCR08025	BOLT CARRIAGE, 1/4 X 2-1/2 G5
6	1	YNL12005	NUT HEX, 3/8
7	1	YSHS12020	BOLT 3/8 X 4-1/2
8	1	DF15A	FLOW CONTROL
9	1	DF18	CHECK VALVE
10	4	HE58	FIT, 90, 1/2NPT X 1/2NPT
11	1	DF4	FIT, STRAIGHT, 1/2NPT X 1/2NPT
12	1	DF8	FIT, TEE, 1/2NPT X 1/2NPT X 1/2NPT
13	1	81270	GEAR MOTOR
14	1	23N133	CONTROL PANEL
15	2	DWM205	MALE QUICK COUPLER
16	2	23N309	HYD HOSE, 8 X 96
17	2	5B10	WOODRUFF KEY, 1/4 X 1
18	1	23N117	HOSE HOLDER
19	1	HE14	PIPE BRACKET
20	1	X60	OFFSET LINK (#50)
21	1	23N131	ROLLER CHAIN (#50, 40 PITCHES)
22	1	X61	CONNECTOR LINK (#50)
23	1	10R32	EXTERNAL SNAP RING
24	1	23N238	CHAIN TIGHTENER ROLLER
25	1	L10R35	TIGHTENER BRAKET
26	2	YSKP10010	SCREW, SOCKET HEAD 5/16 X 3/8
27	2	77330	HYD HOSE, 6, 224IN
28	1	DF1	HYDRAULIC MOTOR
29	1	11S19	DRIVE SPROCKET (20T)
30	1	YWLO12005	WASHER LOCK, 1/4
31	1	16SV269	TRACTOR CONTROL HARNESS
32	1	63365	HAND CONTROLLER
33	1	16SV272	POWER SUPPLY CABLE

# FIGURE 15

## ELECTRIC CONTROL



<u>ITEM</u>	<u>QTY</u>	<u>PART #</u>	<u>DESCRIPTION</u>
1	1	16SV235	SWITCH BOOTS
2	1	61564	CAP
3	1	61597	FUSE BLADE 5AMP
4	1	63365	HAND CONTROLLER COMPLETE
5	1	58790	DEUTSCH 2 PIN PLUG
6	2	56760	DEUTSCH SOCKET SOLID 14-16 GA
7	1	58793	LOCKING WEDGE FOR DT06-2S CONNECTOR
8	1	56N134	SPREADER CONTROL CORD
9	1	16SV269	TRACTOR CONTROL CABLE



## PARTS NOTES

---

---

---

---

---

---

---

---

---

---

---

---

---

---

---

---

---

---

---

---

---

---

---

---

---

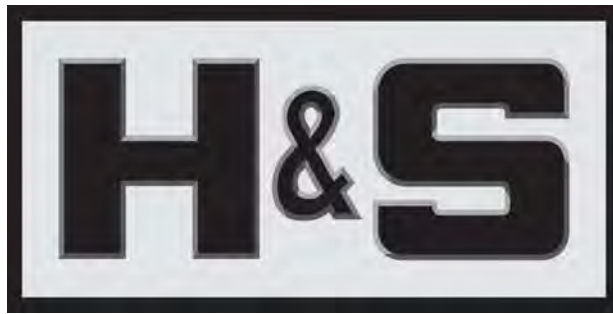
---

---

---

---

---



**H&S Manufacturing products are approved for the  
FEMA SEAL OF QUALITY**

**P.O. BOX 768, MARSHFIELD, WI 54449  
(715) 387-3414 FAX (715) 384-5463  
[www.hsmfgco.com](http://www.hsmfgco.com)**