



WB8218A
WB8220A
WB8222A
FORAGE BOX
PARTS BOOK

Part #90796

HSMFG010422

Rev. #00

WB8218A Starting Ser. #

WB8220A Starting Ser. #

WB8222A Starting Ser. #122WBA2201

STRONG HERITAGE - STRONG PEOPLE - STRONGER FUTURE

TABLE OF CONTENTS

Instructions for Ordering Parts	1
Figure 1 - Side Stakes & Components	2-3
Figure 2 - Side Panels	4-5
Figure 3 - Top Rails & Screens, LH	6-7
Figure 4 - Top Rails & Screens, RH	8-9
Figure 5 - WB8218A Floor & Components	10-11
Figure 5 - WB8220A Floor & Components	12-13
Figure 5 - WB8222A Floor & Components	14-15
Figure 6 - Front Panels & Components	16-17
Figure 7 - Idler Shaft & Components	18-19
Figure 8 - Rear Drive & Components	20-23
Figure 9 - Apron Chain	24-25
Figure 10 - Hydraulics	26-27
Figure 11 - Lights	28-29
Figure 12 - Optional WBOTPD	30-31
Figure 13 - Optional WBOSBDA	32-33
Figure 14 - Optional WBOSBDA2	34-35
Figure 15 - Optional WBOTMK	36-37
Figure 16 - Optional WBOCMK	38-39
Figure 17 - Optional WBOSBDH	40-43
Parts Notes	44

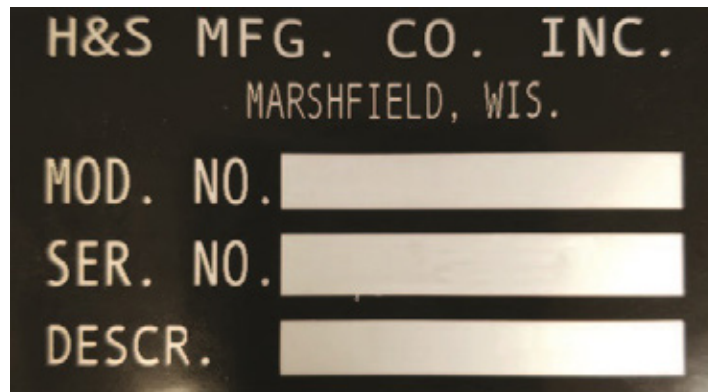
INSTRUCTIONS FOR ORDERING PARTS

All service parts should be ordered through your authorized H&S dealer. Your Dealership will be able to give you faster service if you will provide them with the following:

1. Model & Serial Number - Both can be located on the left rear side panel
2. All references to left or right apply to the machine as viewed from the rear.
3. Parts should not be ordered from illustration only. Please order complete part number.
4. If your dealer has to order parts - give shipping instructions:

VIA truck - large pieces (please specify local truck lines)

VIA United Parcel Service (include full address)



PLEASE RECORD NUMBERS FOR YOUR UNIT FOR QUICK REFERENCE

ABOUT IMPROVEMENTS

H&S IS CONTINUALLY STRIVING TO IMPROVE ITS PRODUCTS

We must, therefore, reserve the right to make improvements or changes whenever it becomes practical to do so, without incurring any obligation to make changes or additions to the equipment previously sold.

FIGURE 1
SIDE STAKES & COMPONENTS

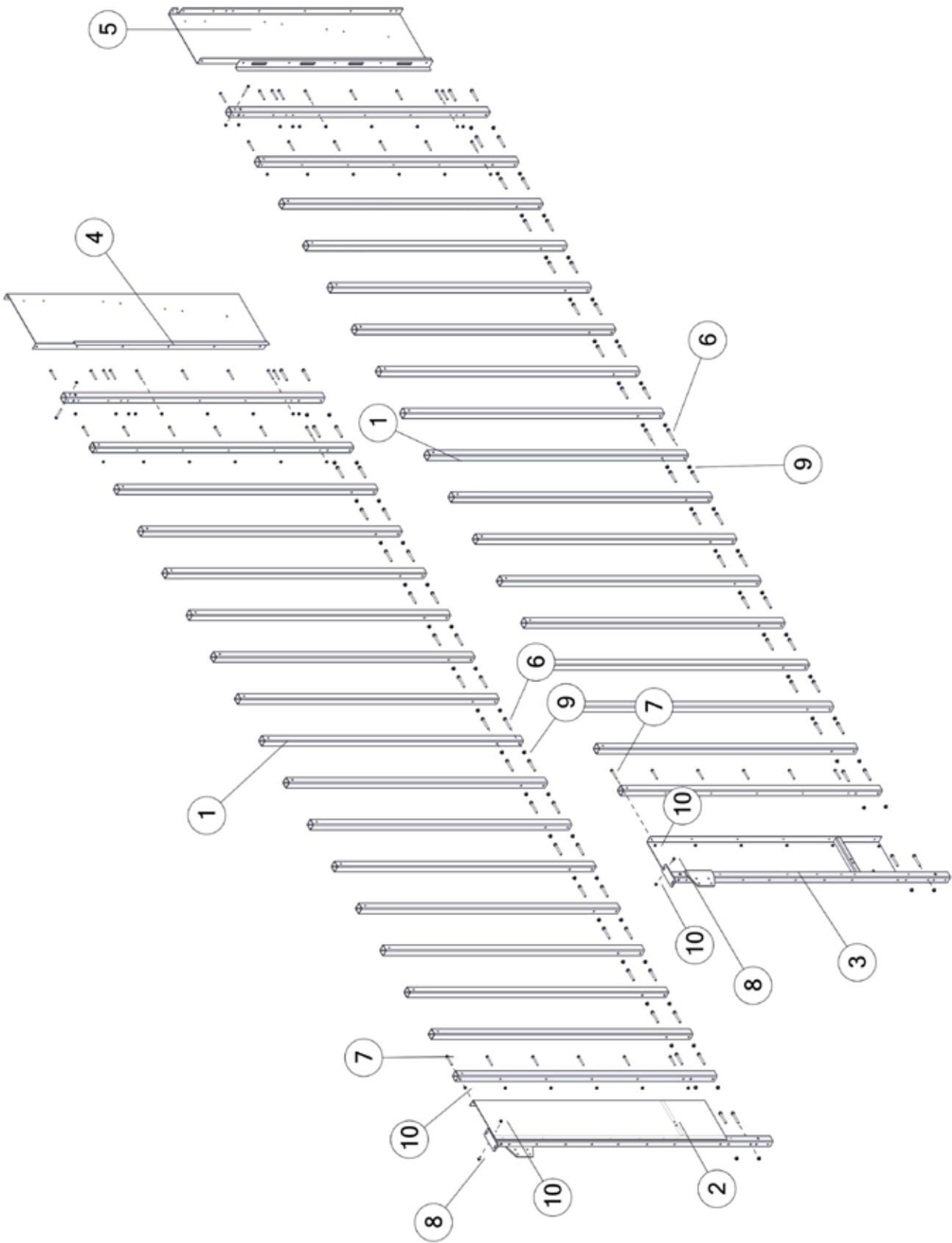


FIGURE 1
SIDE STAKES & COMPONENTS

<u>ITEM</u>	<u>QTY 18'</u>	<u>QTY 20'</u>	<u>QTY 22'</u>	<u>PART#</u>	<u>DESCRIPTION</u>
1	18	20	22	IFB124	SIDE STAKE
2	1	1	1	90083	REAR SIDE PANEL, LH
3	1	1	1	90084	REAR SIDE PANEL, RH
4	1	-	-	90509	FRONT SIDE PANEL, LH
4	-	1	-	90509	PANEL, FRONT LH
4	-	-	1	90880	PANEL, FRONT LH
5	1	-	-	90510	FRONT SIDE PANEL, RH
5	-	1	-	90510	PANEL, FRONT RH
5	-	-	1	90879	PANEL, FRONT RH
6	52	56	60	YBFB16400	BOLT FLANGE, 1/2 X 4 G5
7	36	44	44	YBFB12350	BOLT FLANGE, 3/8 X 3-1/2 G5
8	2	2	2	YBFB12003	BOLT FLANGE, 3/8 X 1 G5
9	52	56	60	YNFG16003	NUT FLANGE, 1/2 GF
10	38	46	46	YNFG12006	NUT FLANGE, 3/8 GF

FIGURE 2
SIDE PANELS

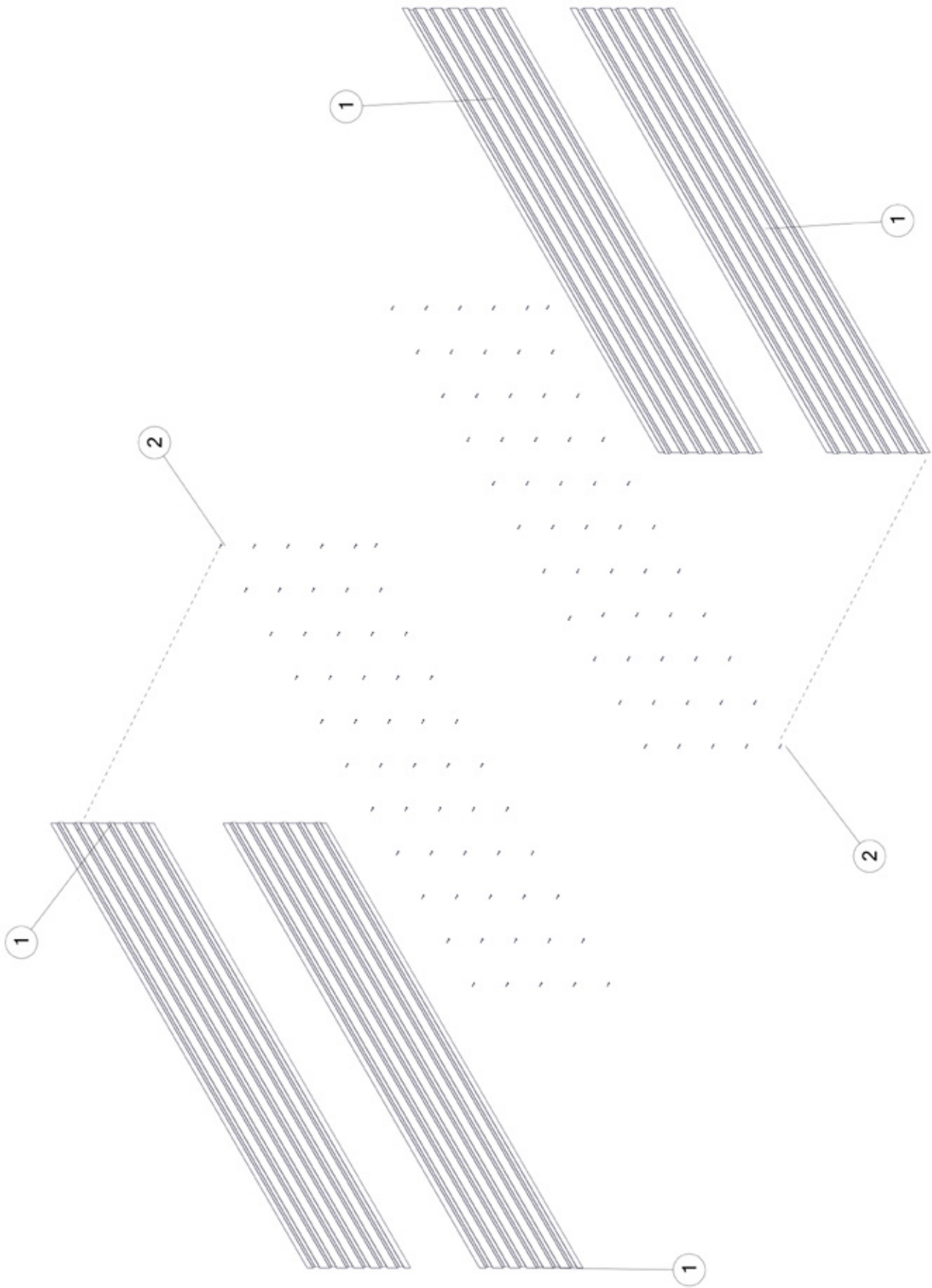


FIGURE 2 SIDE PANELS

<u>ITEM</u>	<u>QTY 18'</u>	<u>QTY 20'</u>	<u>QTY 22'</u>	<u>PART#</u>	<u>DESCRIPTION</u>
1	4	-	-	90944	SIDE PANEL
1	-	4	-	90925	SIDE PANEL
1	-	-	4	86692	SIDE PANEL
2	112	134	156	YSDR66008	SELF DRILL SCREW, HEX, #12-14 X 1-1/4

FIGURE 3
TOP RAILS & SCREENS, LH

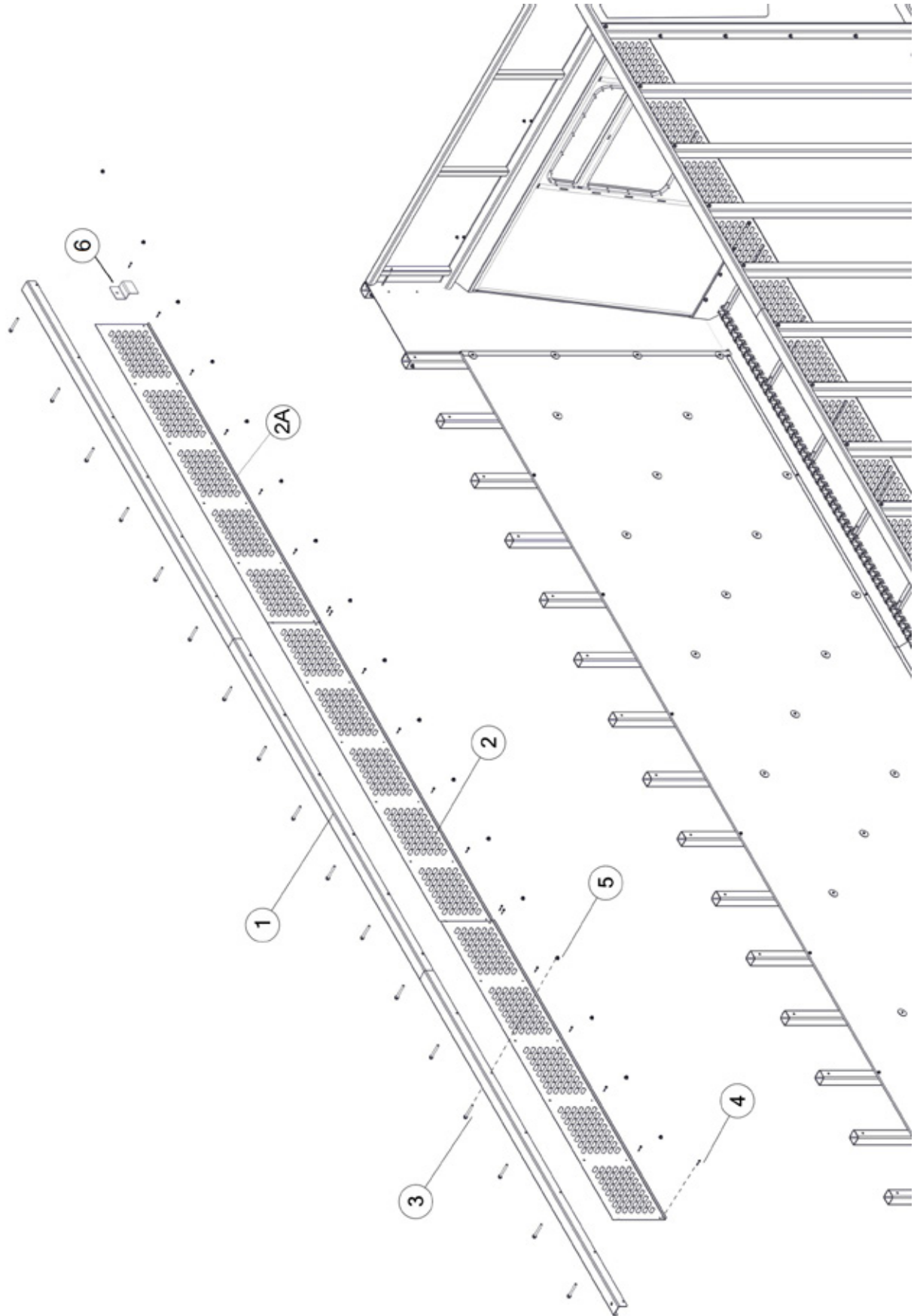


FIGURE 3
TOP RAILS & SCREENS, LH

<u>ITEM</u>	<u>QTY 18'</u>	<u>QTY 20'</u>	<u>QTY 22'</u>	<u>PART#</u>	<u>DESCRIPTION</u>
1	1	-	-	90949	TOP RAIL, LH
1	-	1	-	90938	TOP RAIL, LH
1	-	-	1	90882	TOP RAIL, LH
2A	1	-	-	90911	TOP SCREEN
2A	-	1	-	90935	TOP SCREEN
2	2	-	-	90935	TOP SCREEN
2	-	2	3	90911	TOP SCREEN
3	11	12	13	YBFB12350	BOLT FLANGE, 3/8 X 3-1/2 G5
4	14	16	16	YSDR66008	SELF DRILL SCREW, HEX, #12-14 X 1-1/4
5	11	12	13	YNFG12006	NUT FLANGE, 3/8 GF
6	1	1	1	90953	CAP

FIGURE 4
TOP RAILS & SCREENS, RH

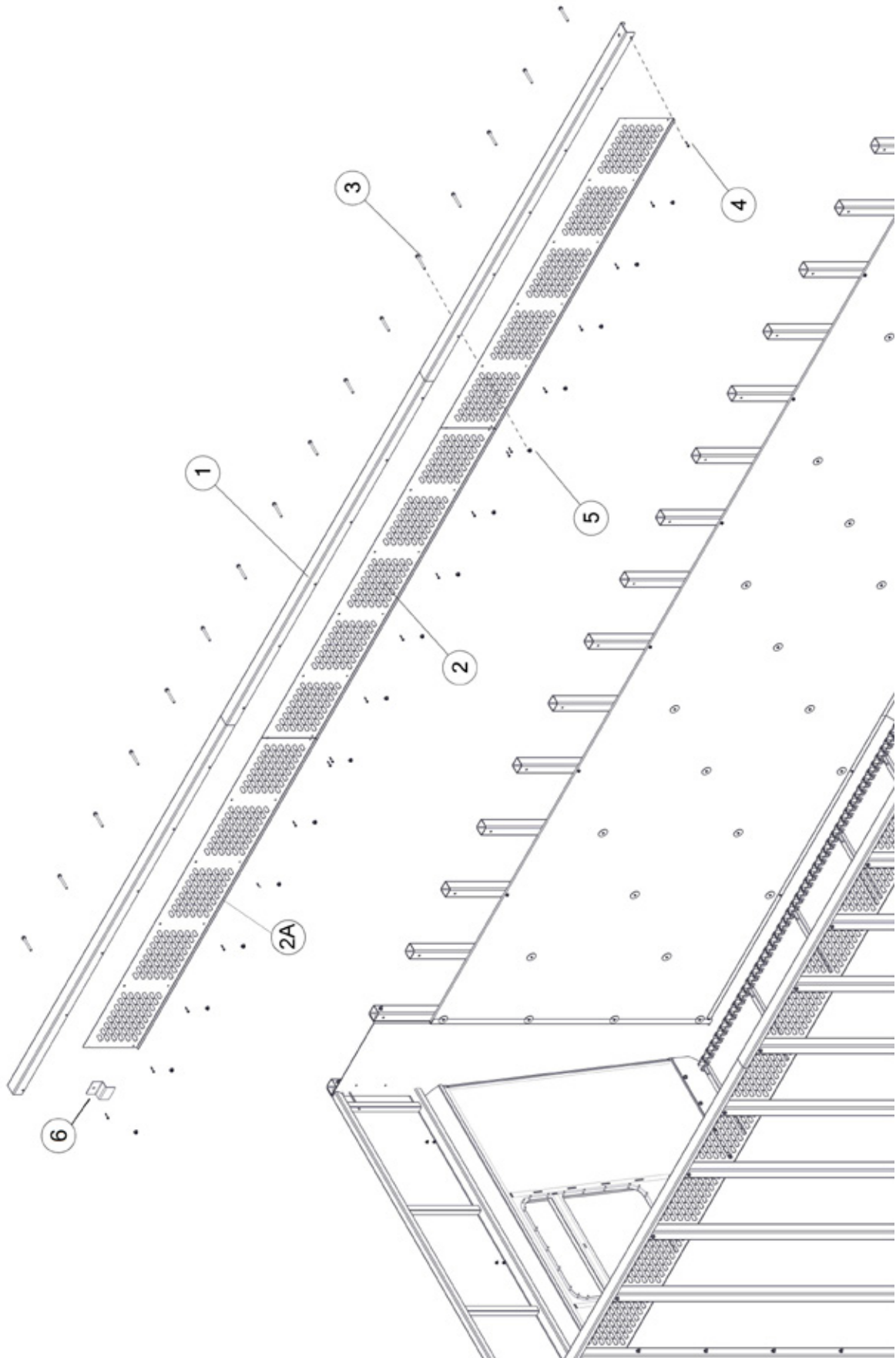


FIGURE 4
TOP RAILS & SCREENS, RH

<u>ITEM</u>	<u>QTY 18'</u>	<u>QTY 20'</u>	<u>QTY 22'</u>	<u>PART#</u>	<u>DESCRIPTION</u>
1	1	-	-	90947	TOP RAIL, RH
1	-	1	-	90936	TOP RAIL, RH
1	-	-	1	90884	TOP RAIL, RH
2A	1	-	-	90911	TOP SCREEN
2A	-	1	-	90935	TOP SCREEN
2	2	-	-	90935	TOP SCREEN
2	-	2	3	90911	TOP SCREEN
3	11	12	13	YBFB12350	BOLT FLANGE, 3/8 X 3-1/2 G5
4	14	16	16	YSDR66008	SELF DRILL SCREW, HEX, #12-14 X 1-1/4
5	11	12	13	YNFG12006	NUT FLANGE, 3/8 GF
6	1	1	1	90953	CAP

FIGURE 5 WB8218A
FLOOR & COMPONENTS

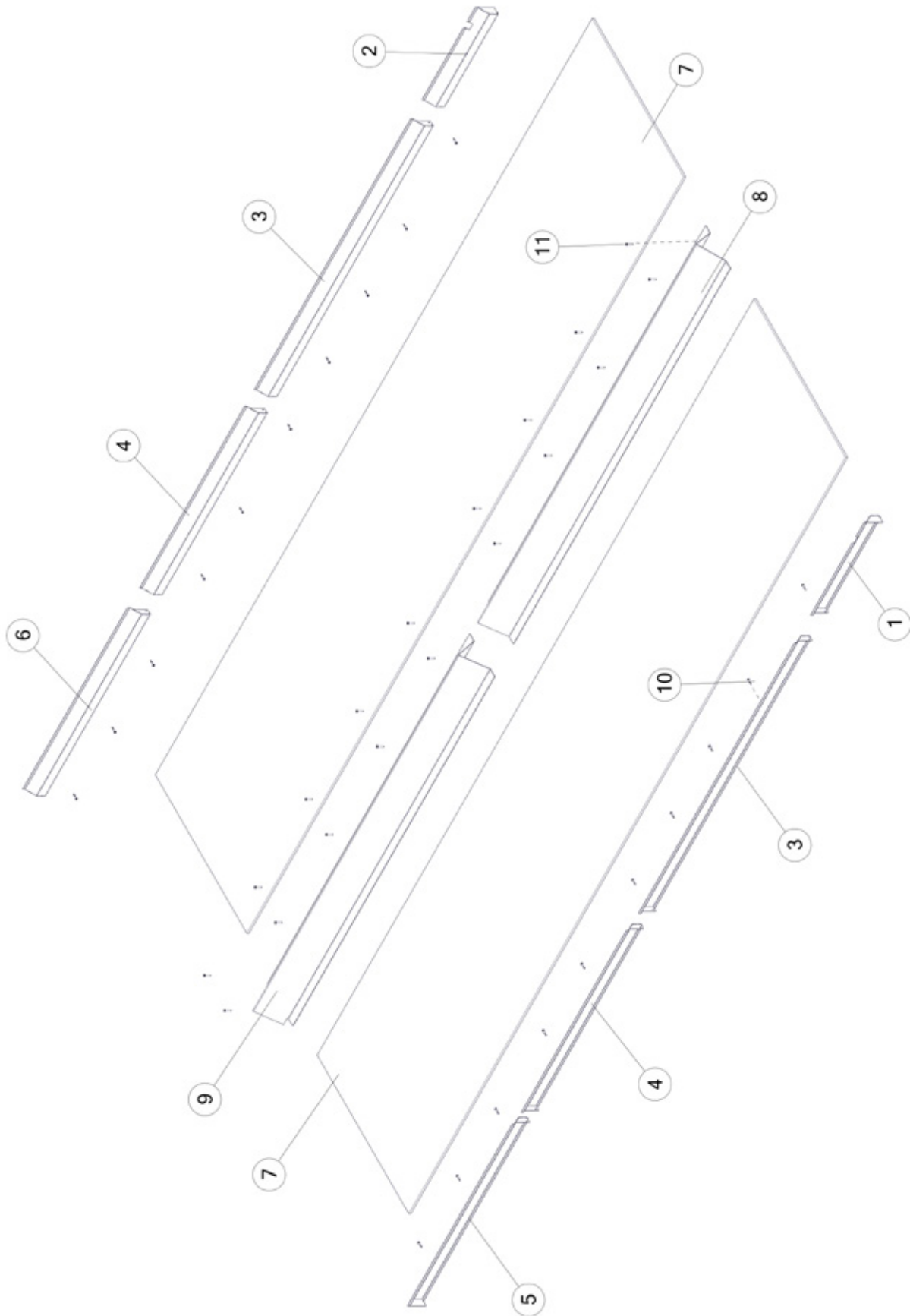


FIGURE 5 WB8218A
FLOOR & COMPONENTS

<u>ITEM</u>	<u>QTY 18'</u>	<u>PART#</u>	<u>DESCRIPTION</u>
1	1	90954	INSIDE SLANT
2	1	90956	INSIDE SLANT
3	2	83488	INSIDE SLANT
4	2	83529	INSIDE SLANT
5	1	90919	INSIDE SLANT
6	1	90921	INSIDE SLANT
7	2	85434	POLY FLOOR PANEL
8	1	90078	FLOOR RIDGE, FRONT
9	1	87583	BACK CENTER FLOOR RIDGE
10	20	YSDR66008	SELF DRILL SCREW, HEX, #12-14 X 1-1/4
11	18	YSDR08020	SELF DRILLING SCREW, HEX, 1/4-14 X 1-1/2

FIGURE 5 WB8220A
FLOOR & COMPONENTS

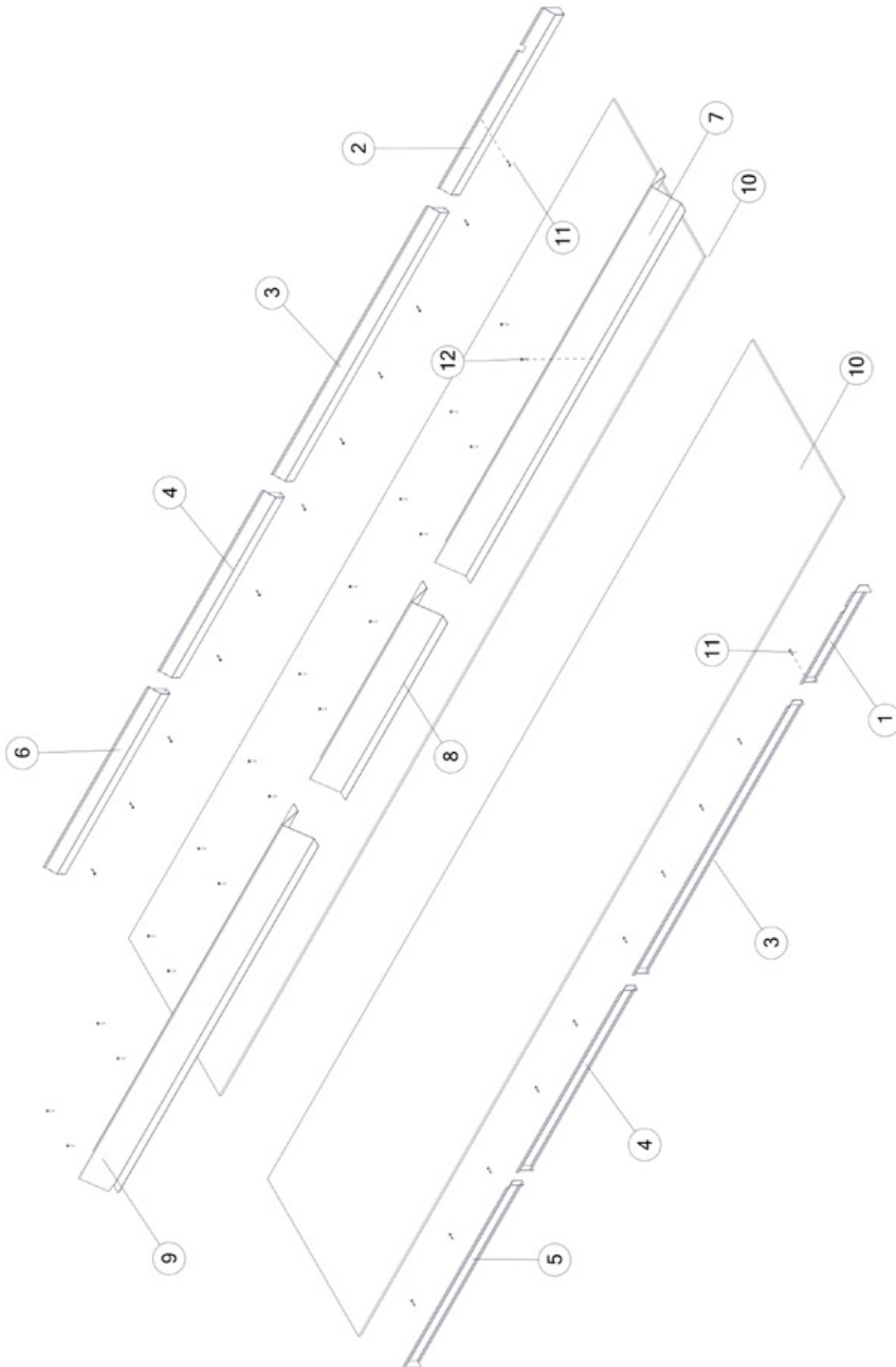


FIGURE 5 WB8220A
FLOOR & COMPONENTS

<u>ITEM</u>	<u>QTY 20'</u>	<u>PART#</u>	<u>DESCRIPTION</u>
1	1	90954	INSIDE SLANT
2	1	90933	INSIDE SLANT
3	2	83488	INSIDE SLANT
4	2	83529	INSIDE SLANT
5	1	90919	INSIDE SLANT
6	11	90921	INSIDE SLANT
7	1	90078	FLOOR RIDGE, FRONT
8	1	90335	FLOOR RIDGE, CENTER
9	1	87583	FLOOR RIDGE, REAR CENTER
10	2	85433	POLY FLOOR PANEL
11	22	YSDR66008	SELF DRILL SCREW, HEX, #12-14 X 1-1/4
12	20	YSDR08020	SELF DRILLING SCREW, HEX, 1/4-14 X 1-1/2

FIGURE 5 WB8222A
FLOOR & COMPONENTS

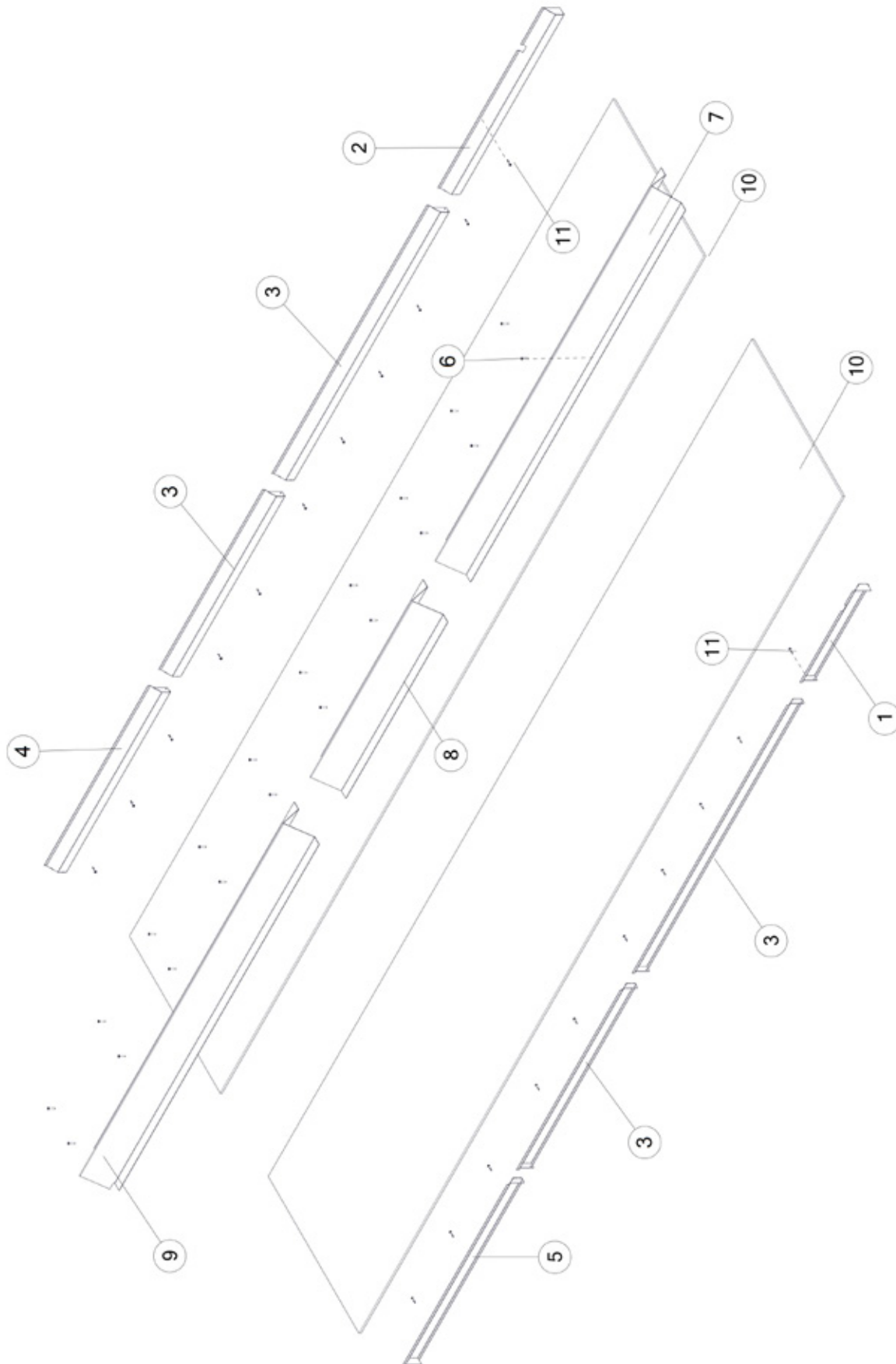


FIGURE 5 WB8222A
FLOOR & COMPONENTS

<u>ITEM</u>	<u>QTY 22'</u>	<u>PART#</u>	<u>DESCRIPTION</u>
1	1	90913	INSIDE SLANT
2	1	90922	INSIDE SLANT
3	4	83488	INSIDE SLANT
4	1	90921	INSIDE SLANT
5	1	90919	INSIDE SLANT
6	22	YSDR08020	SELF DRILLING SCREW, HEX, 1/4-14 X 1-1/2
7	1	90078	FLOOR RIDGE, FRONT
8	1	90335	FLOOR RIDGE, CENTER
9	1	87583	FLOOR RIDGE, REAR CENTER
10	2	85432	POLY FLOOR PANEL
11	24	YSDR66008	SELF DRILL SCREW, HEX, #12-14 X 1-1/4

FIGURE 6 **FRONT PANELS & COMPONENTS**

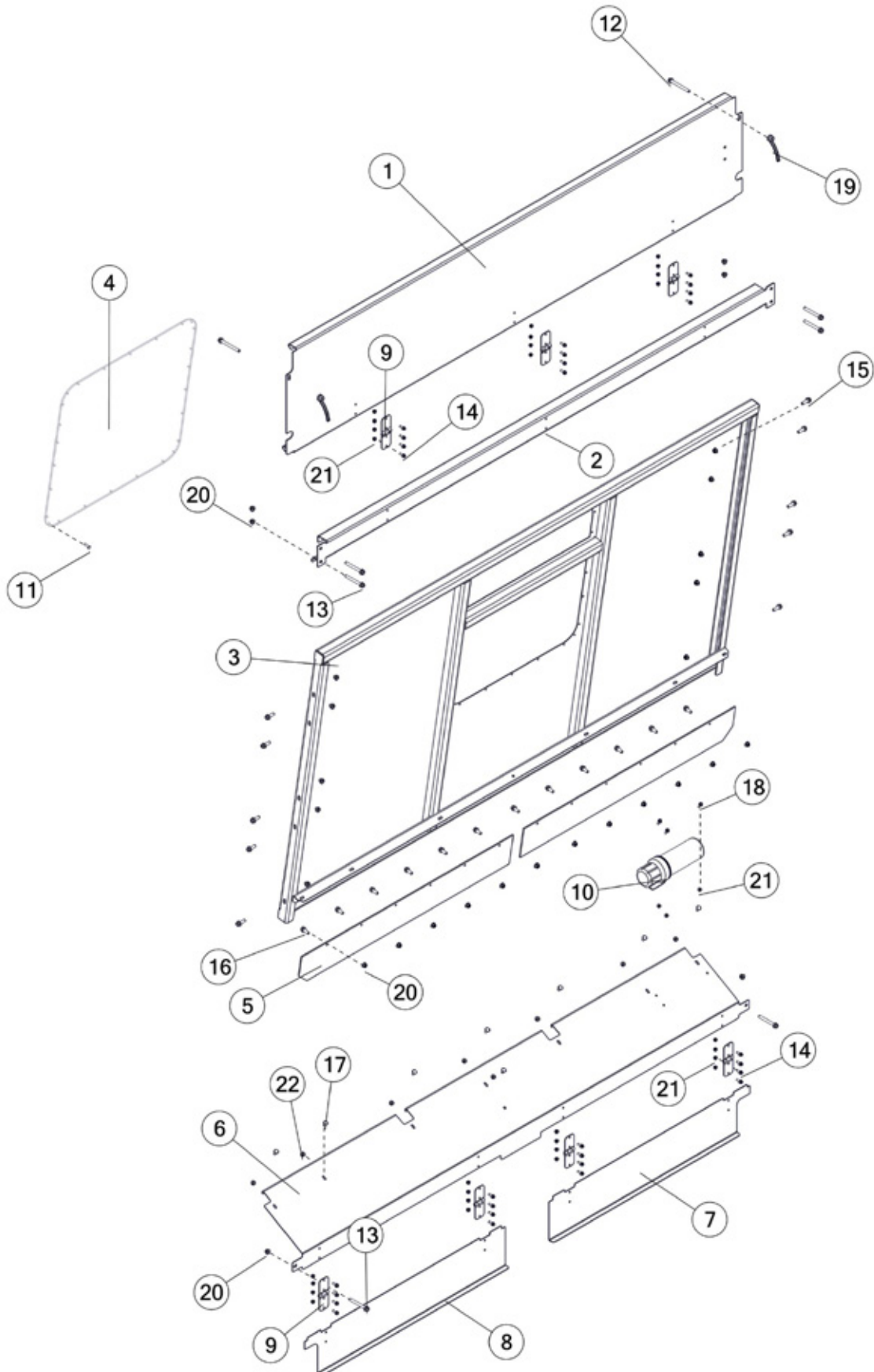


FIGURE 6

FRONT PANELS & COMPONENTS

<u>ITEM</u>	<u>QTY 18'</u>	<u>QTY 20'</u>	<u>QTY 22'</u>	<u>PART#</u>	<u>DESCRIPTION</u>
1	1	1	1	90027	FOLD DOWN, FRONT
2	1	1	1	90025	PANEL, FRONT UPPER
3	1	1	1	89302	FRONT PANEL
4	1	1	1	88713	LARGE WINDOW WITH HOLES
5	1	1	1	79237	FRONT RUBBER
6	1	1	1	89301	FRONT SHIELD TOP
7	1	1	1	90041	FRONT SHIELD, LH
8	1	1	1	90030	FRONT SHIELD, RH
9	7	7	7	82134	HINGE
10	1	1	1	S522	MANUAL HOLDER
11	26	26	26	1043	HUCK RIVET .375 GRIP ~ MGLP-U8-6
12	2	2	2	YBFB12400	BOLT FLANGE, 3/8 X 4 G5
13	4	4	4	YBFB12350	BOLT FLANGE, 3/8 X 3-1/2 G5
14	28	28	28	YBFB08075	BOLT FLANGE, 1/4 X 3/4 G5
15	10	10	10	YBFB12125	BOLT FLANGE, 3/8 X 1-1/4 G5
16	12	12	12	YBFB12003	BOLT FLANGE, 3/8 X 1 G5
17	7	7	7	YBCR10030	BOLT CARRIAGE, 5/16-18 X 3/4 G5 ZC
18	3	3	3	YBFB08075	BOLT FLANGE, 1/4 X 3/4 G5
19	2	2	2	S192	HANDLE NUT
20	28	28	28	YNFG12006	NUT FLANGE, 3/8 GF
21	31	31	31	YNFG08010	NUT FLANGE, 1/4 GF
22	7	7	7	YNFG10005	NUT FLANGE, 5/16 GF

FIGURE 7 **IDLER SHAFT & COMPONENTS**

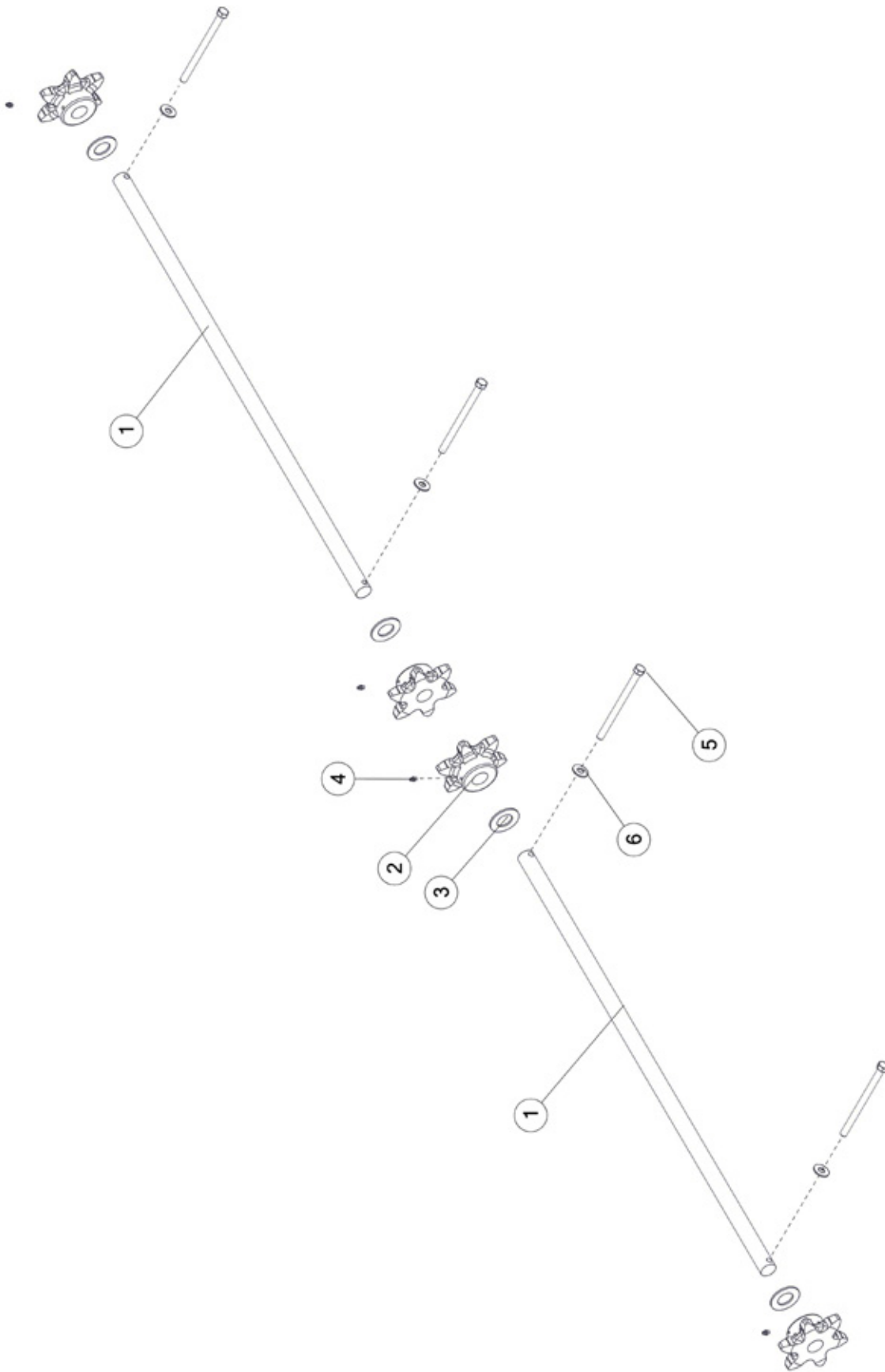


FIGURE 7
IDLER SHAFT & COMPONENTS

<u>ITEM</u>	<u>QTY 18'</u>	<u>QTY 20'</u>	<u>QTY 22'</u>	<u>PART#</u>	<u>DESCRIPTION</u>
1	2	2	2	S63	IDLER SHAFT
2	4	4	4	JB10	IDLER SHAFT SPROCKET
3	4	4	4	S61	IDLER SHAFT SPACER
4	4	4	4	G89	STRAIGHT ZERK, 1/4-28
5	4	4	4	YBHH16181	BOLT HEX, 1/2 X 7 G5 FULL THREAD
6	4	4	4	YWFL16005	WASHER FLAT, 1/2 USS

FIGURE 8 REAR DRIVE & COMPONENTS

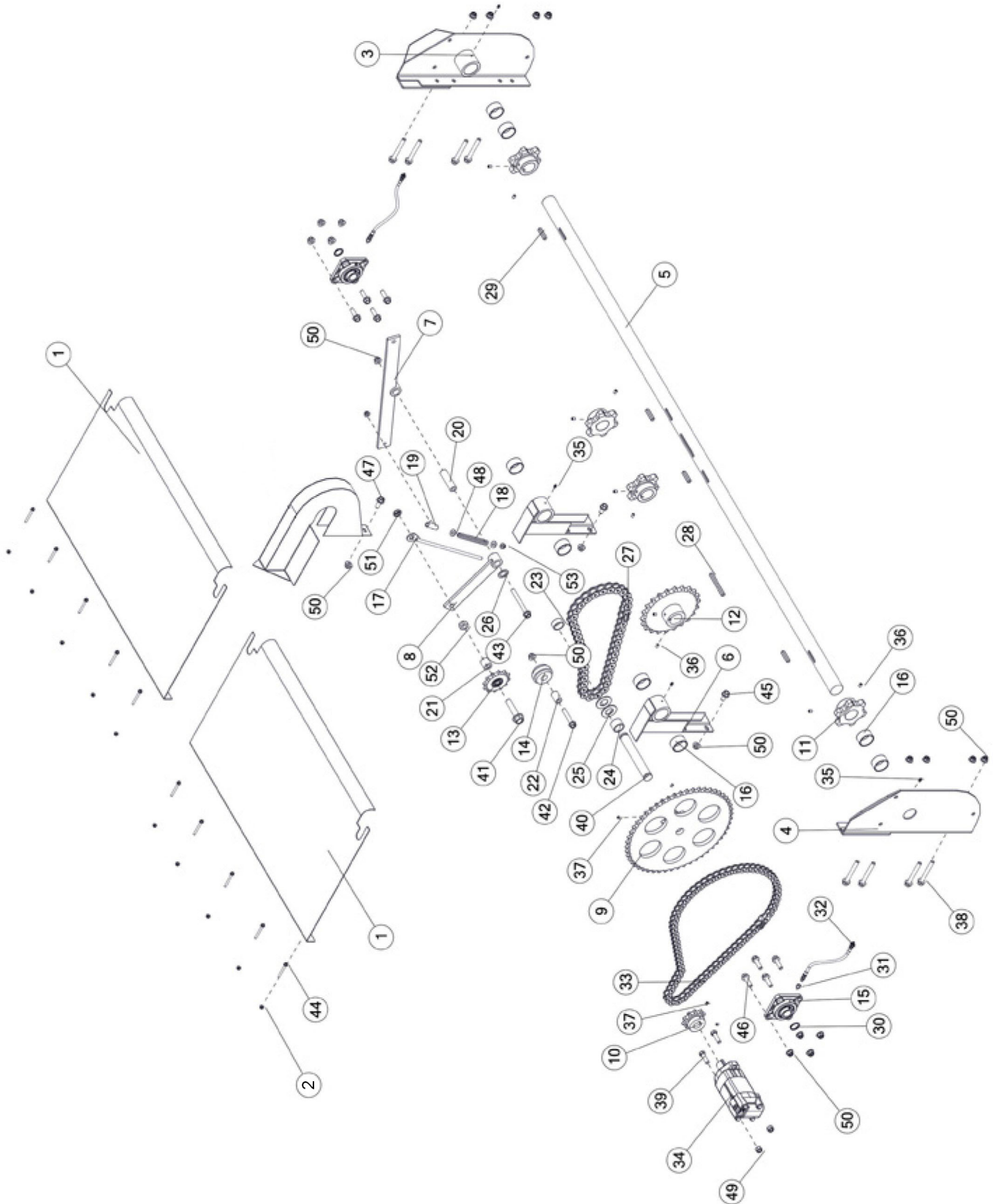


FIGURE 8

REAR DRIVE & COMPONENTS

<u>ITEM</u>	<u>QTY 18'</u>	<u>QTY 20'</u>	<u>QTY 22'</u>	<u>PART#</u>	<u>DESCRIPTION</u>
1	2	2	2	90541	DRIVE SHAFT COVER
2	10	10	10	YNFG08010	NUT FLANGE, 1/4 GF
3	1	1	1	89872	DRIVE SHAFT MOUNT RH
4	1	1	1	89962	DRIVE SHAFT MOUNT LH
5	1	1	1	89826	DRIVE SHAFT
6	2	2	2	89832	SUPPORT, DRIVESHAFT
7	1	1	1	IFB11	LONG TIGHTENER
8	1	1	1	IFB10	SHORT TIGHTENER
9	1	1	1	IFB148	SHORT IDLER SPROCKET
10	1	1	1	IFB4	SPROCKET, 80B10, 1.251 ID
11	4	4	4	72669	SPROCKET, STEEL 6 TOOTH
12	1	1	1	89831	SPROCKET, 22
13	1	1	1	12V77	TIGHTENER SPROCKET
14	1	1	1	IFB14	CHAIN TIGHTENER ROLLER
15	2	2	2	45N67	BEARING WITH HOLDER
16	8	8	8	72652	BRONZE BUSHING
17	1	1	1	IFB5	TIGHTENER ROD
18	1	1	1	23N211	SPRING
19	1	1	1	23N206	CLUTCH ROD HOLDER
20	1	1	1	IFB12	POLY CHAIN TIGHTENER AXLE
21	1	1	1	IFB9	PRIMARY DRIVE SPACER
22	1	1	1	IFB13	POLY CHAIN TIGHTENER AXLE
23	1	1	1	R15	FRONT SHAFT SPACER
24	1	1	1	R57	2ND BEATER SPACER
25	2	2	2	S61	IDLER SHAFT SPACER
26	1	1	1	S345	PULLEY SPACER
27	1	1	1	IFB129	CHAIN, #100 X 44 HEAVY
28	1	1	1	PB133	SQUARE KEY, 3/8 X 4-3/8
29	4	4	4	PB87	SQUARE KEY, 3/8 X 2
30	2	2	2	F73	SNAP RING, 1-1/4
31	2	2	2	TS323	FITTING STRAIGHT, 1/4-28, 1/8-27NPT
32	2	2	2	90769	HYD HOSE, 2, 14
33	1	1	1	16SV330	ROLLER CHAIN, 80HE X 68
34	1	1	1	16SV150	HYD MOTOR
35	4	4	4	G89	STRAIGHT ZERK, 1/4-28
36	10	10	10	YSSO12005	SET SCREW, SOCKET, 3/8-16 X 1/2
37	4	4	4	YSKP10010	SET SCREW, SKT, KNURLED, 5/16 - 18 X 3/8
38	8	8	8	YBFB16400	BOLT FLANGE, 1/2 X 4 G5
39	2	2	2	YBHH16055	BOLT HEX, 1/2-13 X 1-3/4 G5
40	1	1	1	IFB136	IDLER SHAFT

FIGURE 8 REAR DRIVE & COMPONENTS

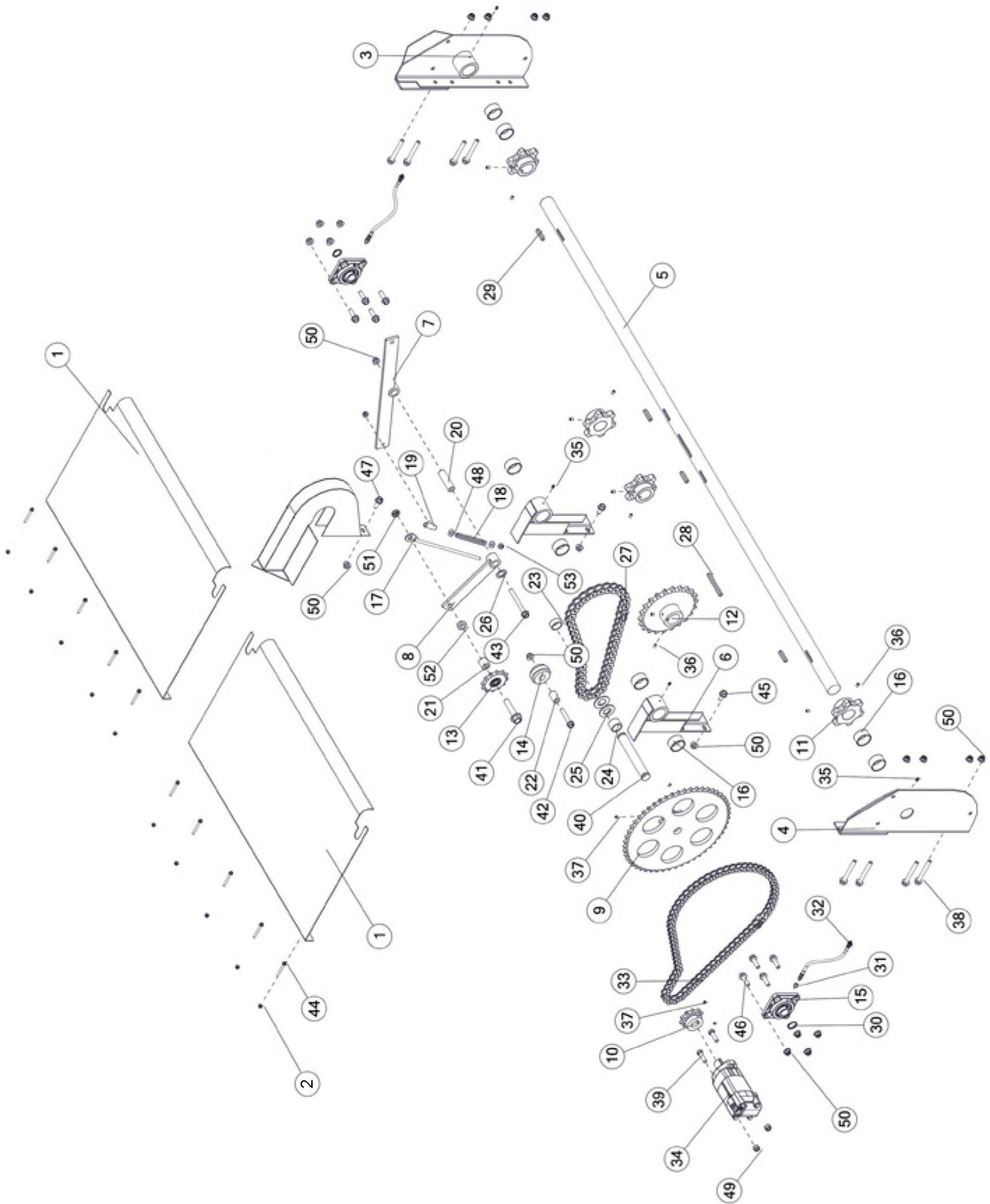
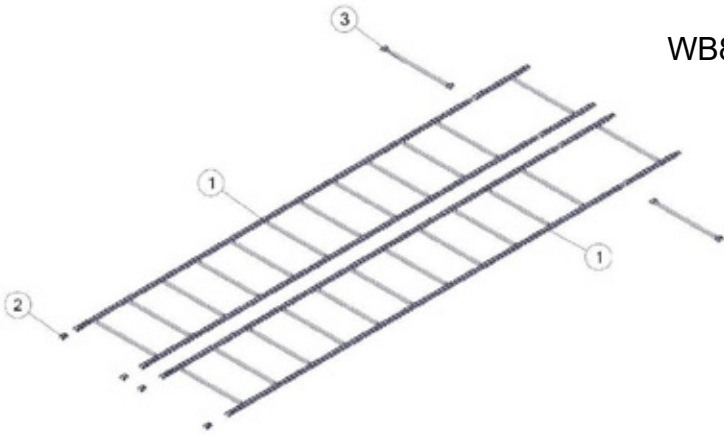


FIGURE 8
REAR DRIVE & COMPONENTS

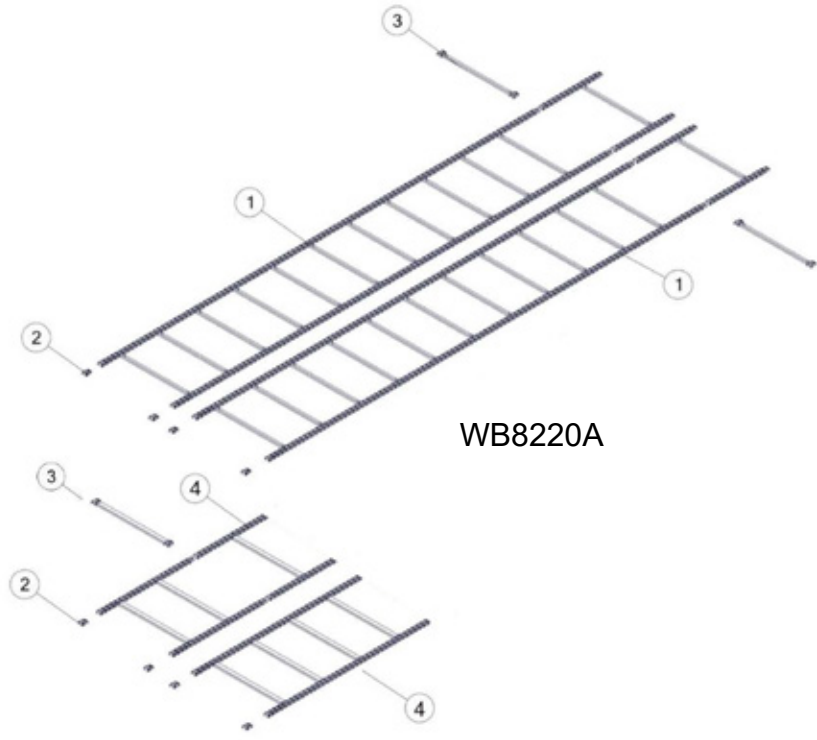
<u>ITEM</u>	<u>QTY 18'</u>	<u>QTY 20'</u>	<u>QTY 22'</u>	<u>PART#</u>	<u>DESCRIPTION</u>
41	1	1	1	YBFB24350	BOLT FLANGE, 3/4 X 3-1/2 G5
42	1	1	1	YBFB16300	BOLT FLANGE, 1/2 X 3 G5
43	1	1	1	YBFB16500	BOLT FLANGE, 1/2 X 5 G5
44	10	10	10	YBFB08250	BOLT FLANGE, 1/4 X 2-1/2 G5
45	2	2	2	YBFB16100	BOLT FLANGE, 1/2 X 1 G5
46	8	8	8	YBFB16175	BOLT FLANGE, 1/2 X 1-3/4 G5
47	1	1	1	YBFB16125	BOLT FLANGE, 1/2 X 1-1/4 G5
48	2	2	2	YWFL12005	WASHER FLAT, 3/8 USS
49	2	2	2	YNNY16005	NUT HEX, 1/2-13 LKNY G2 ZC
50	9	9	9	YNFG16003	NUT FLANGE, 1/2 GF
51	1	1	1	YNNJ24005	NUT JAM, 3/4-10 LKNY G2 ZC
52	1	1	1	YNHX24004	NUT HEX, 3/4-10 NA G5 ZC
53	1	1	1	YNFG12006	NUT FLANGE, 3/8 GF

FIGURE 9 APRON CHAIN

WB8218A



WB8220A



WB8222A

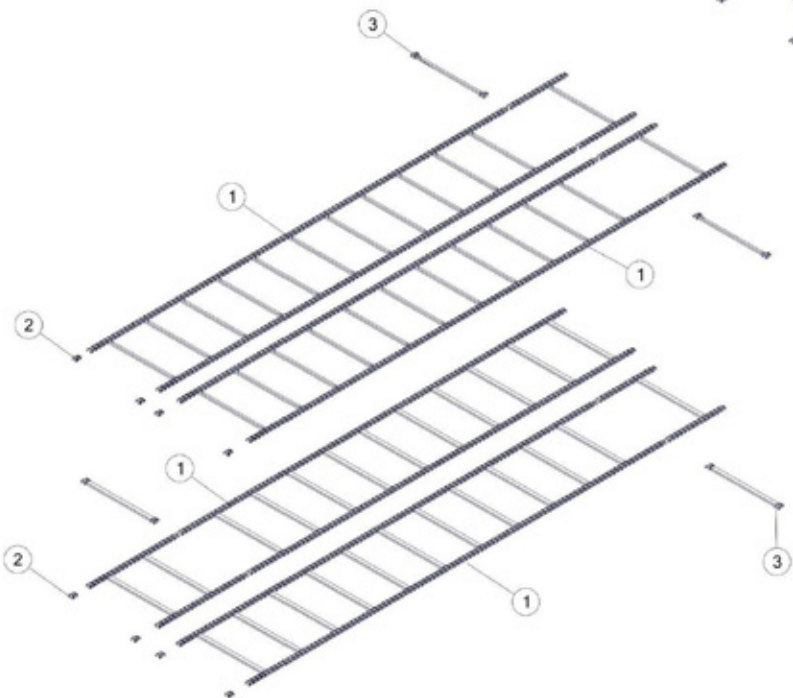


FIGURE 9 APRON CHAIN

<u>ITEM</u>	<u>QTY 18'</u>	<u>QTY 20'</u>	<u>QTY 22'</u>	<u>PART#</u>	<u>DESCRIPTION</u>
1	2	2	-	78755	APRON CHAIN, 667X X 184
1	-	-	4	L3450	APRON CHAIN, 667XH X 119
2	4	4	-	IFB134	PNTL CHAIN, 667X X 1, CONN LINK W/PIN
2	-	-	8	PB181	PNTL CHAIN, 667XH X 1, CONN LINK
3	40	48	-	IFB133	CHAIN SLAT, 667X X 1, W/ATTACHMENT LINK
3	-	-	52	PB177	CHAIN SLAT, 667XH X 1, W/ ATTACHMENT LINK
4	NA	2	NA	86750	APRON CHAIN, 667 X 34

FIGURE 10
HYDRAULICS

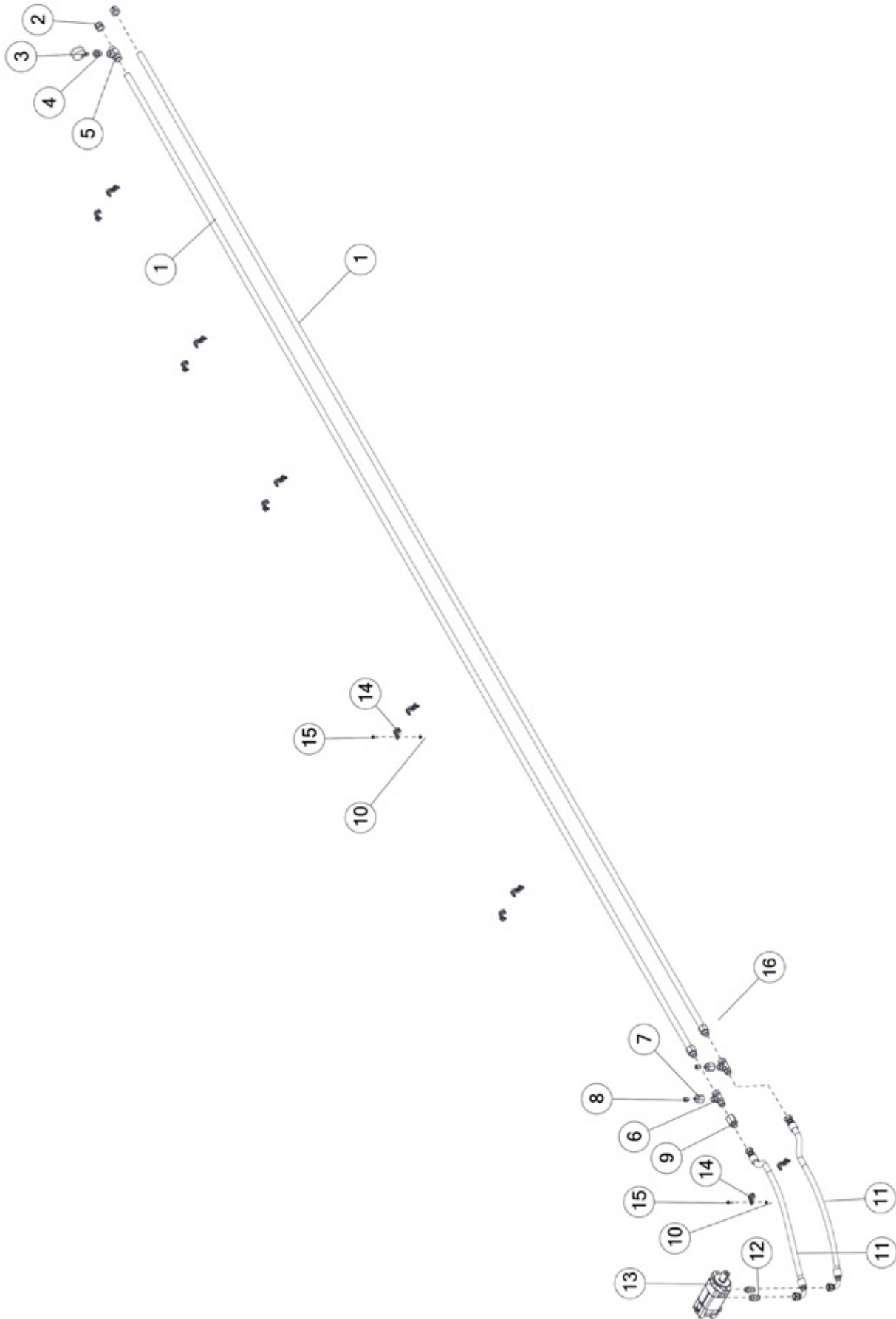


FIGURE 10 HYDRAULICS

<u>ITEM</u>	<u>QTY 18'</u>	<u>QTY 20'</u>	<u>QTY 22'</u>	<u>PART#</u>	<u>DESCRIPTION</u>
1	2	-	-	82718	HYDRAULIC PIPE
1	-	2	-	PB220	HYDRAULIC PIPE
1	-	-	2	PB173	HYDRAULIC PIPE
2	2	2	2	54565	PIPE CAP, 3/4
3	1	1	1	BBS33	4000 PSI GAUGE
4	1	1	1	90819	FITTING STRAIGHT, 3/4 NPT, 3/8 NPT
5	1	1	1	GM10	FTG TEE, 3/4NPTF. 3/4 NPTF, 3/4 NPTF
6	2	2	2	CHM180	FITTING, TEE, 12JIC X 12JIC X 12JIC
7	2	2	2	86540	FITTING, STRAIGHT, 12JIC X 6JIC
8	2	2	2	83114	FITTING CAP, 6JIC
9	1	1	1	86477	HYD VALVE, CHECK, 3/4
10	12	12	12	YNFG08010	NUT FLANGE, 1/4 GF
11	2	2	2	90216	HYDRAULIC HOSE, 10, 34.5
12	2	2	2	GM21	FTG, ST, 12JIC, 10ORB, STL
13	1	1	1	16SV150	HYD MOTOR
14	12	12	12	90214	TUBE CLAMP
15	12	12	12	YBFB08100	BOLT FLANGE, 1/4 X 1 G5
16	2	2	2	58055	FITT ST, 12 JIC, 12 NPT

FIGURE 11
LIGHTS

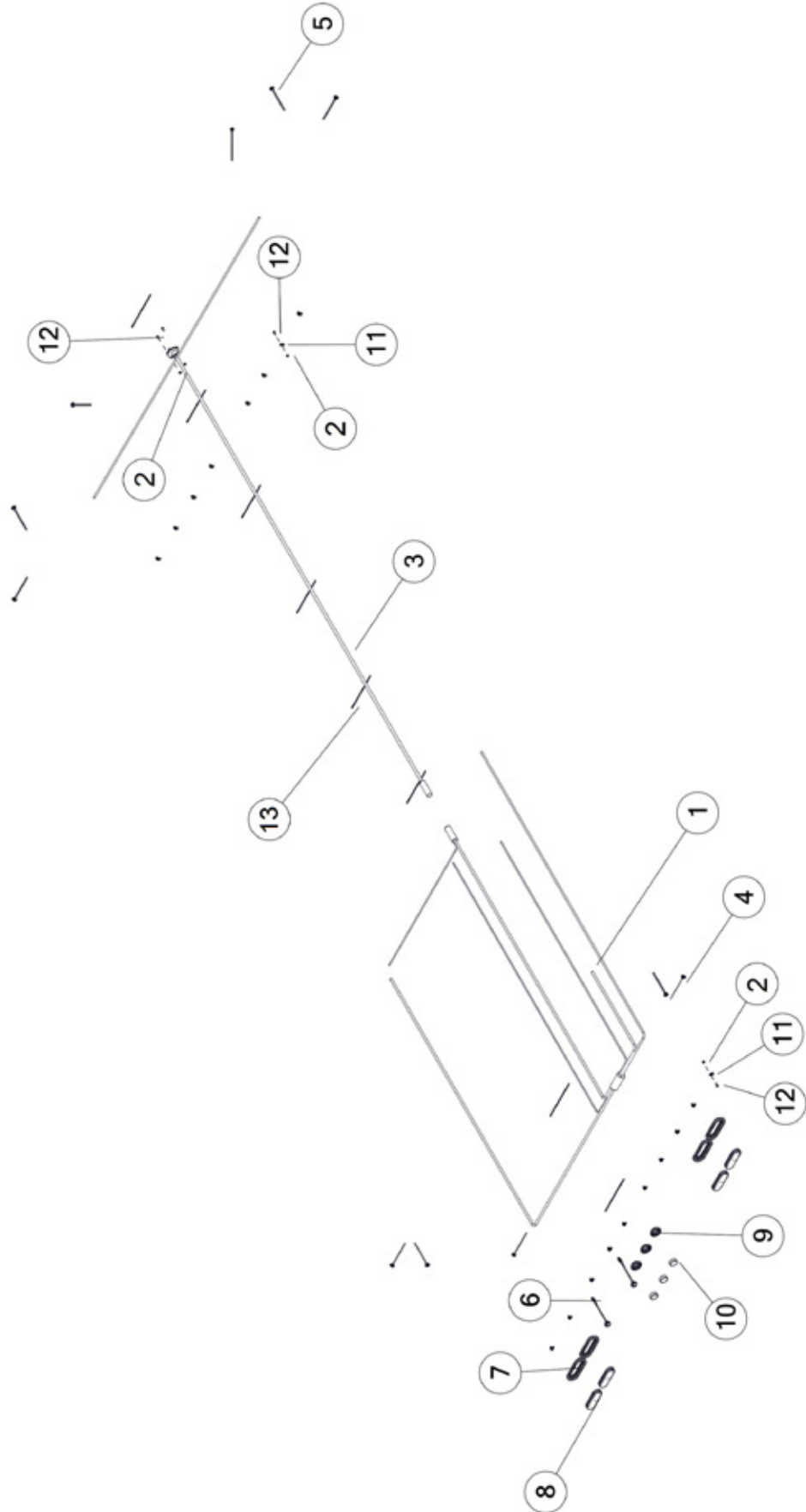


FIGURE 11 LIGHTS

<u>ITEM</u>	<u>QTY 18'</u>	<u>QTY 20'</u>	<u>QTY 22'</u>	<u>PART#</u>	<u>DESCRIPTION</u>
1	1	1	1	78656	ELEC HARNESS, REAR MAIN
2	18	18	18	YNFG08010	NUT FLANGE, 1/4 GF
3	1	1	1	90504	ELEC HARNESS, FRONT TRUCK
4	6	6	6	8620	RED LED LIGHT, ROUND
5	6	6	6	8033	AMBER LED LIGHT, ROUND
6	2	2	2	BBS98	LICENSE LIGHT
7	4	4	4	S308	OVAL LIGHT GROMMET
8	4	4	4	78671	RED LED LIGHT, OVAL
9	3	3	3	BBS91	ROUND LIGHT GROMMET
10	3	3	3	BBS92	MARKER LIGHT, RED ROUND
11	18	18	18	87705	CUSHION WIRE CLAMP, 3/8
12	18	18	18	YBFB08075	BOLT FLANGE, 1/4 X 3/4 G5
13	10	10	10	CIZT109	ZIPTIE, 11.5 X .19 X .06

FIGURE 12
OPTIONAL WBOTPD

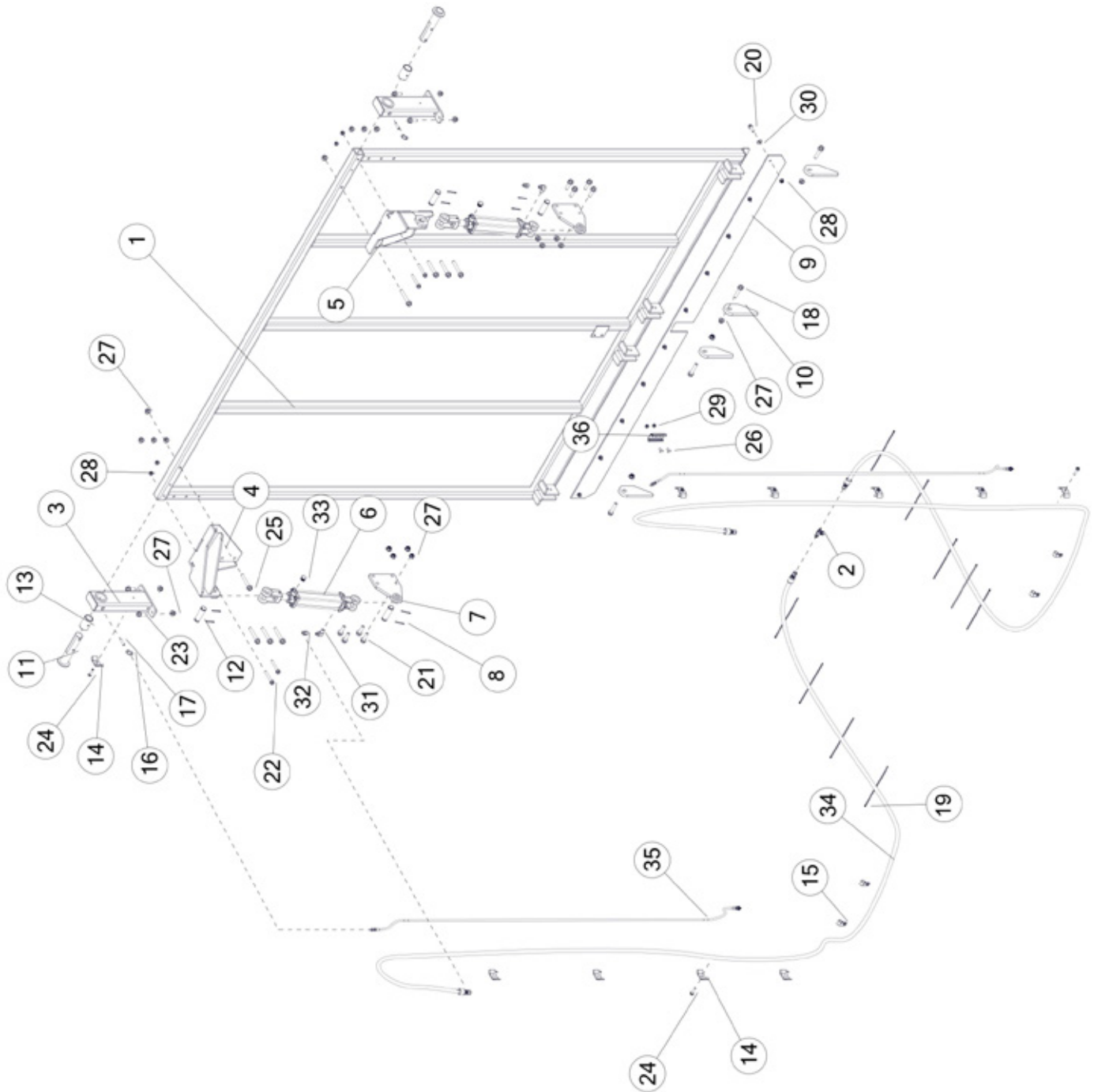


FIGURE 12

OPTIONAL WBOTPD

<u>ITEM</u>	<u>QTY 18'</u>	<u>QTY 20'</u>	<u>QTY 22'</u>	<u>PART#</u>	<u>DESCRIPTION</u>
1	1	1	1	89983	DOOR
2	1	1	1	58137	FITT T, 6JIC, 6JIC 6JIC
3	2	2	2	90679	STAKE TOP REAR ASSEMBLY
4	1	1	1	89265	UPPER GATE DELAY MOUNT, LH
5	1	1	1	89945	UPPER GATE DELAY MOUNT, RH
6	2	2	2	55999	CYLINDER, 2
*	2	2	2	56187	SEAL KIT
7	2	2	2	89267	LOWER GATE DELAY MOUNT
8	8	8	8	YPCT05010	COTTER PIN, 5/32 X 1-1/2
9	1	1	1	90014	DOOR SEAL
10	4	4	4	BBS67	LATCH
11	2	2	2	BBS64	DOOR HINGE PIN
12	4	4	4	T143	HYDRAULIC CYLINDER PIN
13	2	2	2	BBS39	BUSHING
14	10	10	10	23N67	FRONT HOSE BRACKET
15	4	4	4	HGV72	CUSHION WIRE CLAMP 3/4
16	2	2	2	90684	FITTING 90, 1/8NPT, 1/8NPT
17	2	2	2	90681	PIPE NIPPLE
18	4	4	4	YBFB16250	BOLT FLANGE, 1/2 X 2-1/2 G5
19	10	10	10	CIZT104	ZIPTIE, 11 X .18 X .05
20	10	10	10	YBFB12125	BOLT FLANGE, 3/8 X 1-1/4 G5
21	4	4	4	YBFB16175	BOLT FLANGE, 1/2 X 1-3/4 G5
22	4	4	4	YBFB12300	BOLT FLANGE, 3/8 X 3 G5
23	4	4	4	YBFB16150	BOLT FLANGE, 1/2 X 1-1/2 G5
24	10	10	10	YSHW10020	THREAD CUT SCREW, 5/16-18 X 1-1/2
25	8	8	8	YBFB16350	BOLT FLANGE, 1/2 X 3-1/2 G5
26	2	2	2	YBCR10030	BOLT CARRIAGE, 5/16-18 X 3/4 G5 ZC
27	20	20	20	YNFG16003	NUT FLANGE, 1/2 GF
28	14	14	14	YNFG12006	NUT FLANGE, 3/8 GF
29	2	2	2	YNFG10005	NUT FLANGE, 5/16 GF
30	10	10	10	YWFL12005	WASHER FLAT, 3/8 USS
31	2	2	2	CHM164	FITTING, 90, 6JIC X 3/8NPT
32	2	2	2	58144	IN-LINE CONNECTOR, ORIFICE, 6-XHX7-S .062
33	2	2	2	BFR70	VENT PLUG, 3/8
34	2	2	2	90507	HYDRAULIC HOSE, 6, 260
35	2	2	2	90729	HYD HOSE, 2, 88
36	1	1	1	F97	SMV HOLDER

FIGURE 13
OPTIONAL WBOSBDA

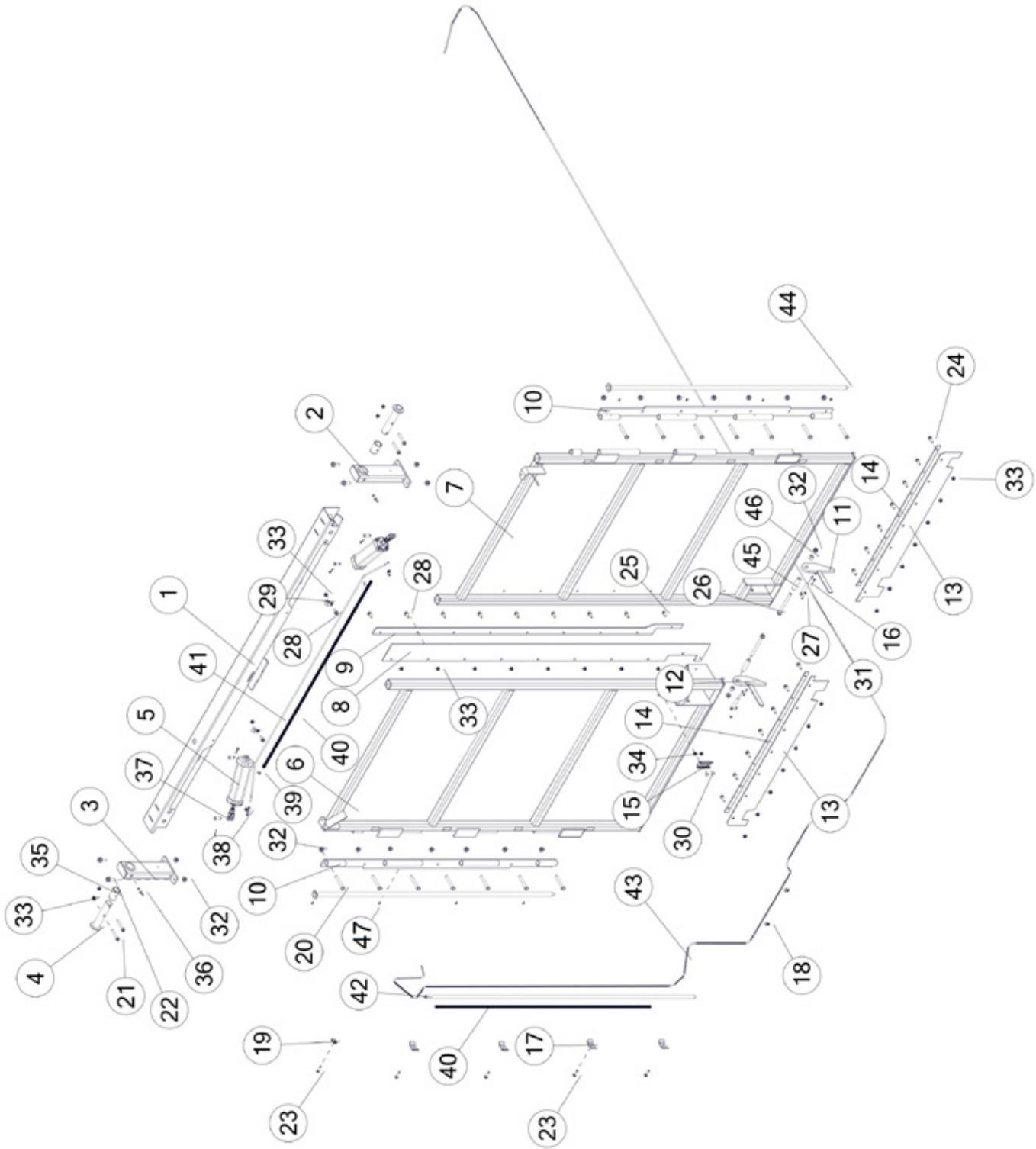


FIGURE 13

OPTIONAL WBOSBDA

<u>ITEM</u>	<u>QTY 18'</u>	<u>QTY 20'</u>	<u>QTY 22'</u>	<u>PART#</u>	<u>DESCRIPTION</u>
1	1	1	1	90782	TOP CHANNEL
2	1	1	1	BBS21	STAKE TOP REAR
3	1	1	1	BBS20	STAKE TOP REAR
4	2	2	2	BBS64	DOOR HINGE PIN
5	2	2	2	GD49	AIR CYLINDER, 2 1/2" X 8.00"
6	1	1	1	90746	LEFT DOOR
7	1	1	1	90747	RIGHT DOOR
8	1	1	1	90767	DOOR SEAL
9	1	1	1	90770	VERTICAL SEAL HOLDDOWN
10	2	2	2	82438	HINGE
11	1	1	1	0227WE08	LATCH RIGHT
12	1	1	1	0227WE07	LATCH LEFT
13	2	2	2	90759	DOOR BOTTOM BELTING
14	2	2	2	90761	LOWER SEAL HOLDDOWN
15	1	1	1	F97	SMV BRACKET
16	2	2	2	SD190	GAS STRUT
17	4	4	4	23N67	FRONT HOSE BRACKET
18	2	2	2	83052	CUSHION WIRE CLAMP 5/16
19	1	1	1	HGV162	CUSHION WIRE CLAMP 1/2
20	14	14	14	YBHH16125	BOLT HEX, 1/2 X 3-3/4 G5
21	4	4	4	YBFB12300	BOLT FLANGE, 3/8 X 3 G5
22	4	4	4	YBFB16150	BOLT FLANGE, 1/2 X 1-1/2 G5
23	5	5	5	YSHW10020	THREAD CUT SCREW, 5/16-18 X 1-1/2
24	14	14	14	YBFB12125	BOLT FLANGE, 3/8 X 1-1/4 G5
25	1	1	1	YSHW10005	HWH TCS "F", 5/16-18 X 1
26	2	2	2	YBFB16600	BOLT FLG, 1/2 X 6 G5
27	4	4	4	YSP62075	PPHMS, #8-32 X .75
28	10	10	10	YBFB12003	BOLT FLANGE, 3/8 X 1 G5
29	2	2	2	HGV72	CUSHION WIRE CLAMP 3/4
30	2	2	2	YBCR10030	BOLT CARRIAGE, 5/16-18 X 3/4 G5 ZX
31	4	4	4	YNNY62005	NUT HEX, #8-32 LKNY G2 ZC
32	20	20	20	YNFG16003	NUT FLANGE, 1/2 GF
33	10	10	10	YNFG12006	NUT FLANGE, 3/8 GF
34	2	2	2	YNFG10005	NUT FLANGE, 5/16 GF
35	1	1	1	56244	BUSHING, DRIVE SHAFT
36	2	2	2	16SV26	30 DEG ZERK, 1/8 NPT X 2-3/32
37	2	2	2	56264	CLEVIS PIN AND COTTER PIN KIT
38	2	2	2	GD26	FITTING TEE, 1/4NPT
39	2	2	2	0227MS05	FITTING PLUG, 1/4NPT, ORIFICE
40	2	2	2	0227MS02	WIRE LOOM
41	1	1	1	0227MS03	CYLINDER TIE AIR LINE
42	1	1	1	90783	AIR LINE SHEILD
43	1	1	1	79792	CYLINDER SUPPLY LINE 530" (BLACK)
44	2	2	2	82449	DOOR HINGE PIN
45	2	2	2	90757	LATCH SPACER LONG
46	2	2	2	90758	LATCH SPACER SHORT
47	10	10	10	MS26	STRAIGHT ZERK, 1/4

FIGURE 14
OPTIONAL WBOSBDA2

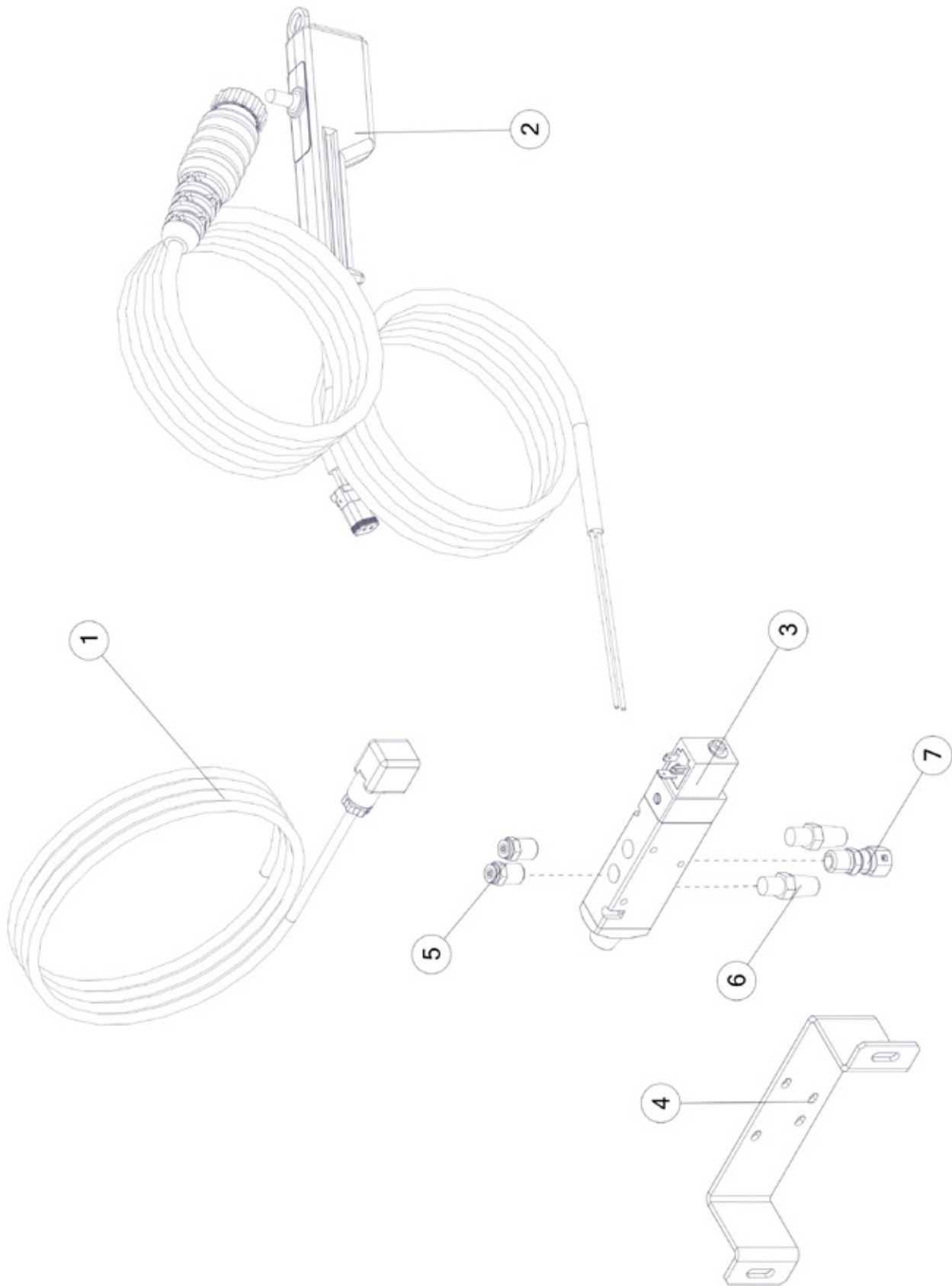


FIGURE 14
OPTIONAL WBOSBDA2

<u>ITEM</u>	<u>QTY 18'</u>	<u>QTY 20'</u>	<u>QTY 22'</u>	<u>PART#</u>	<u>DESCRIPTION</u>
1	1	1	1	1093	DIN CORD
2	1	1	1	63361	HAND CONTROLLER, (ON)-OFF
3	1	1	1	8031	NORGREN VALVE 4 WAY
4	1	1	1	54510	AIR VALVE MOUNTING BRACKET
5	2	2	2	GD6	MALE COUPLER, 1/4"
6	2	2	2	GD7	VENT PLUG, CONE SHAPED, 1/4
7	1	1	1	58651	DOT FITTING, 1/4 X 3/8

FIGURE 15
OPTIONAL TIE DOWN KIT (WBOTMK)

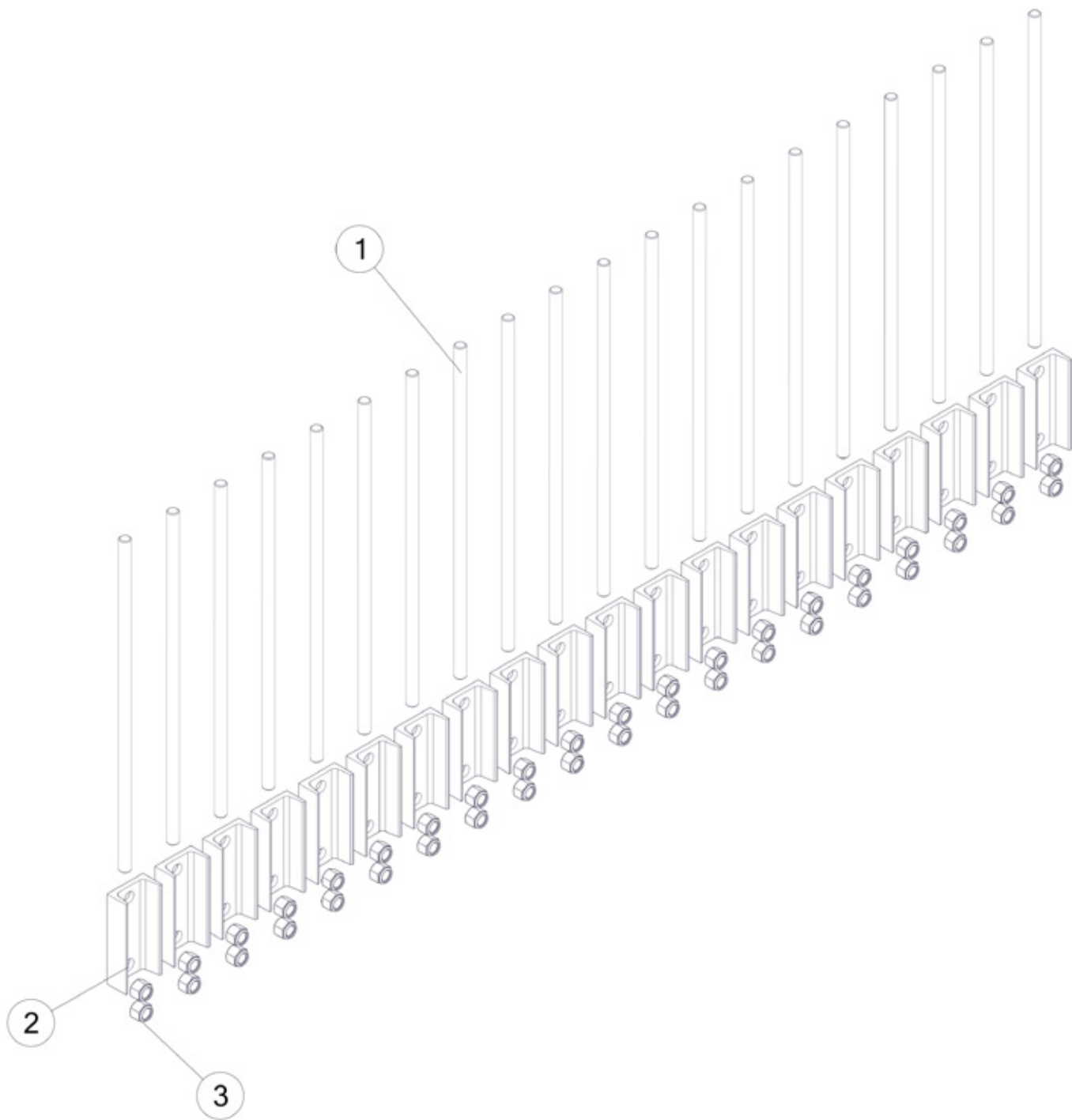


FIGURE 15
OPTIONAL TIE DOWN KIT (WBOTMK)

<u>ITEM</u>	<u>QTY 18'</u>	<u>QTY 20'</u>	<u>QTY 22'</u>	<u>PART#</u>	<u>DESCRIPTION</u>
1	20	20	20	FBC6	SCR, ROD, 3/4-16 X 24 G5 ZC
2	20	20	20	69906	CHL, C, 3 X 1.52 X 6-1/2 TIE DOWN
3	40	40	40	YNNY24006	NUT HEX, 3/4-16 LKNY G2 ZC

FIGURE 16
OPTIONAL WBOCMK

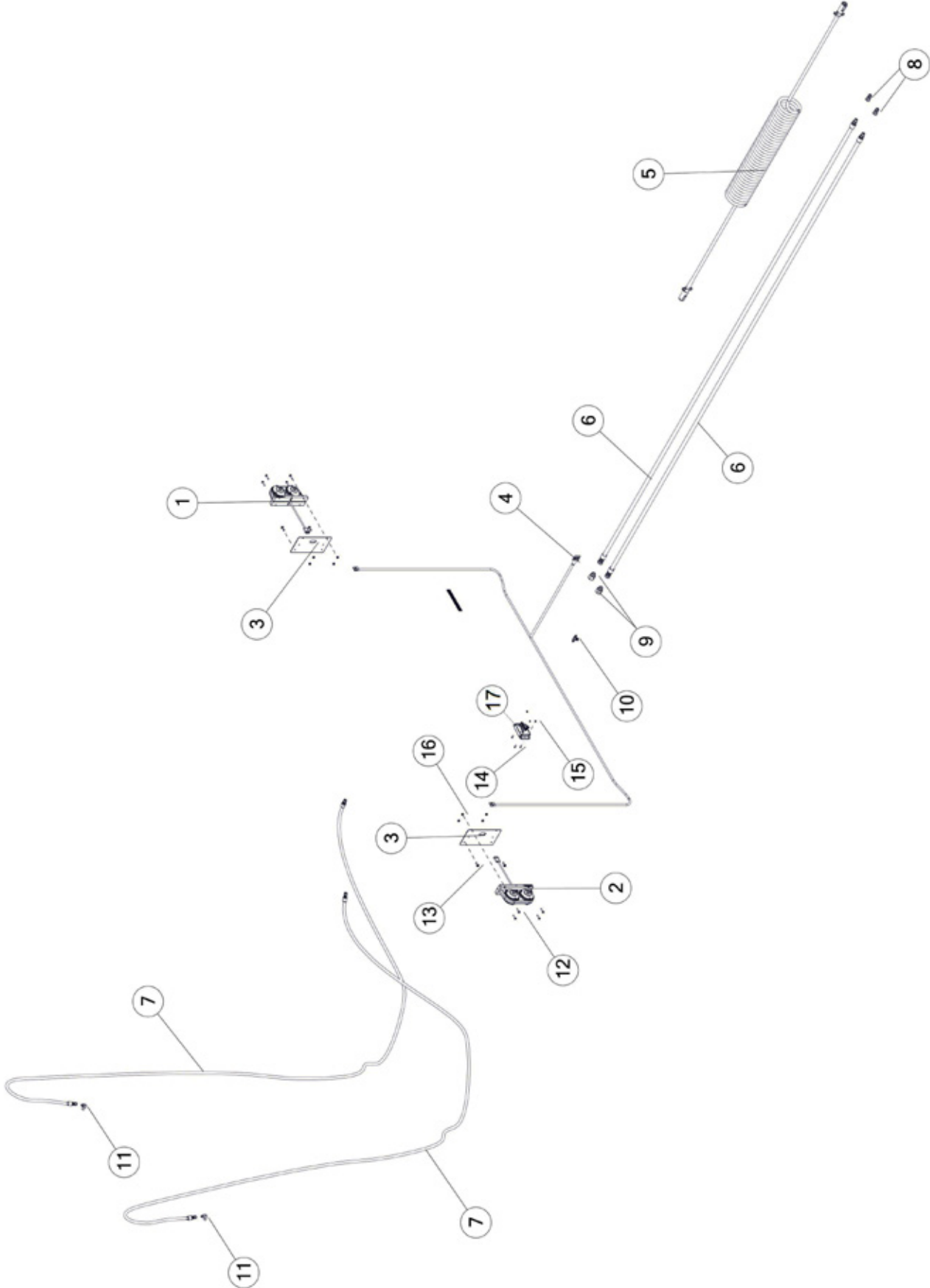


FIGURE 16

OPTIONAL WBOCMK

<u>ITEM</u>	<u>QTY 18'</u>	<u>QTY 20'</u>	<u>QTY 22'</u>	<u>PART#</u>	<u>DESCRIPTION</u>
1	1	1	1	77923	TAIL LIGHT ASSY, LH
2	1	1	1	77924	TAIL LIGHT ASSY, RH
3	2	2	2	86040	LIGHT BRACKET, BOLT ON
4	1	1	1	78360	LIGHT HARNESS , REAR
5	1	1	1	TLPC7	TRANSPORT LIGHT CORD, 7 PIN
6	2	2	2	90311	HYDRAULIC HOSE, 10, 171
7	2	2	2	90507	HYDRAULIC HOSE, 6, 260
8	2	2	2	DWM205	VMI - MALE QUICK COUPLER S71-4P HYD TIP
9	2	2	2	58055	FITTING ST, 12JIC 12NPT
10	1	1	1	58137	FITTING T, X JIC, X JIC, X JIC,
11	2	2	2	CHM164	FITTING, 90, 6JIC X 3/8NPT
12	8	8	8	YBHH08035	BOLT HEX, 1/4-20 X 1-1/4 G5
13	2	2	2	YSHW10005	HWH TCS "F", 5/16-18 X 1
14	3	3	3	YSPN64005	MACHINE PPHS, #10-24 X 5/8 ZINC
15	3	3	3	YNNY64005	NUT HEX, #10-24 LKNY G2 ZC
16	8	8	8	YNFG08010	NUT FLANGE, 1/4 GF
17	1	1	1	69908	MODULE, CONTROL, FLASHER

FIGURE 17
OPTIONAL WBOSBDH

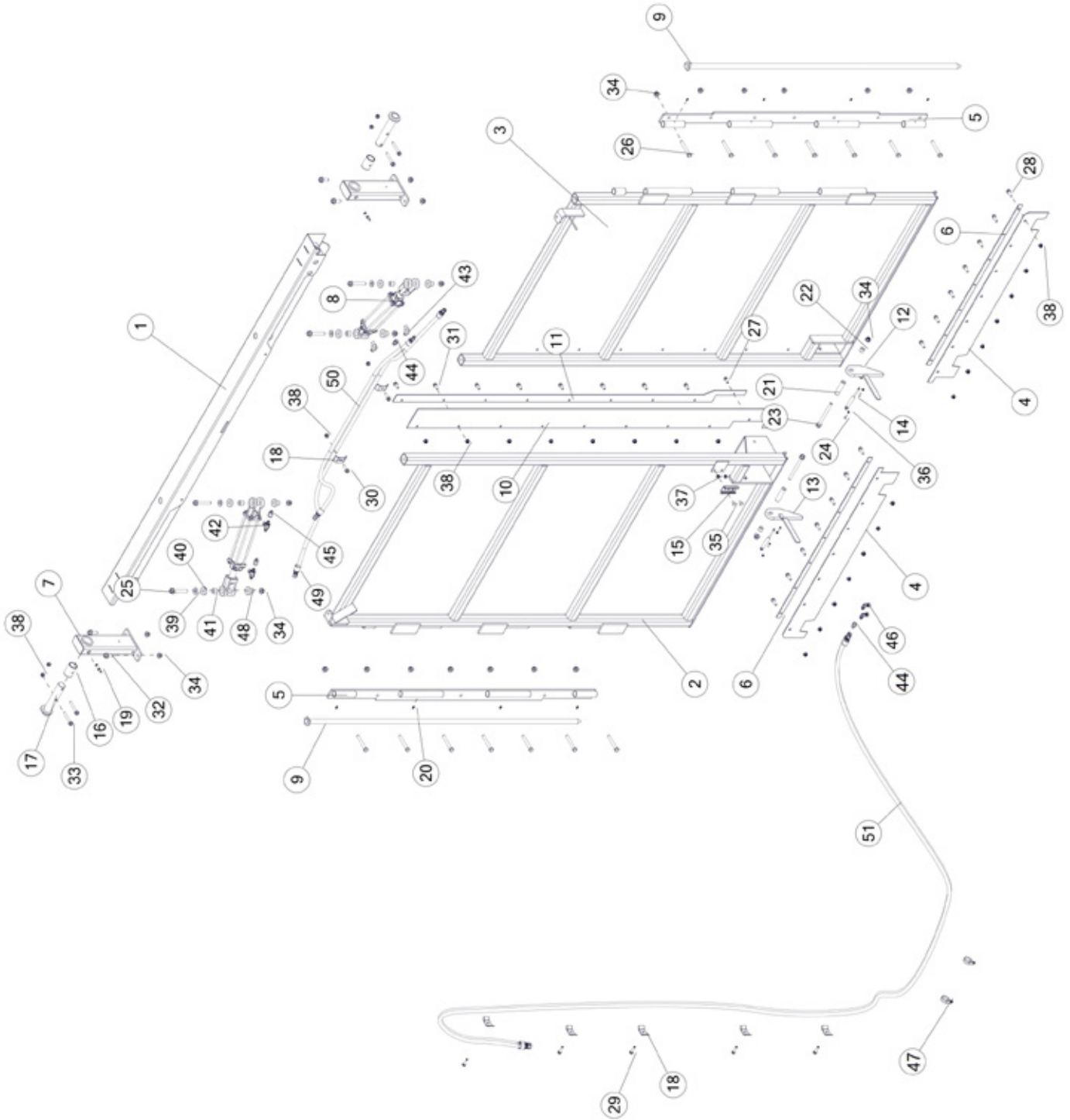


FIGURE 17

OPTIONAL WBOSBDH

<u>ITEM</u>	<u>QTY</u>	<u>PART#</u>	<u>DESCRIPTION</u>
1	1	90745	TOP CHANNEL
2	1	90746	LEFT DOOR
3	1	90747	RIGHT DOOR
4	2	90759	DOOR BOTTOM BELTING
5	2	82438	HINGE
6	2	90761	LOWER SEAL HOLDDOWN
7	2	BBS21	STAKE TOP REAR
8	2	85176	CYLINDER, 2 X 8 (3000 PSI)
*	1	23N142A	CLEVIS CAP FOR 2" CYLINDR
*	1	56174	ROD CAP FOR 2" CYLINDER
*	1	BFR68	CYLINDER TUB, 2 X 8
*	1	23N149	PLUG
*	4	T186	CYLINDER TIE ROD, 2 X 2-1/2 X 8
*	8	YNHX12006	NUT HEX, 3/8 NA G2 ZC
*	1	56180	PISTON FOR 2" CYLINDER
*	1	T184A	CYLINDER ROD
*	1	23N150A	ROD CLEVIS
*	1	YSSO12015	SET SCREW, SOCKET 3/8-24 X 3/8
*	1	23N148	PISTON NUT
*	1	56187	SEAL KIT FOR 2" CYLINDER
9	2	82449	DOOR HINGE PIN
10	1	90767	DOOR SEAL
11	1	90770	VERTICAL SEAL HOLDDOWN
12	1	93805	LATCH, RH
13	1	93806	LATCH, LH
14	2	SD190	GAS STRUT
15	1	F97	SMV BRACKET
16	2	BBS39	BRONZE BUSHING
17	2	BBS64	DOOR HINGE PIN
18	7	23N67	FRONT HOSE BRACKET
19	2	16SV26	PIPE GREASE ZERK
20	8	MS26	STRAIGHT STANDARD SHORT ZERK, 1/4
21	2	90757	LATCH SPACER LONG
22	2	90758	LATCH SPACER SHORT
23	2	YFBF16600	BOLT FLANGE, 1/2 X 6 G5
24	4	YSPP62075	PPHMS, #8-32 X 3/4
25	2	YFBF16350	BOLT FLANGE, 1/2 X 3-1/2 G5
26	14	YBHH16125	BOLT HEX, 1/2 X 3-3/4 G5
27	1	YSHW10005	HWH TCS "F", 5/16-18 X 1
28	14	YFBF12125	BOLT FLANGE, 3/8 X 1-1/4 G5
29	5	YSHW10020	THREAD CUTTING SCREW, 5/16 X 1-1/2
30	2	YFBF12150	BOLT FLANGE, 3/8 X 1-1/2 G5
31	8	YFBF12003	BOLT FLANGE, 3/8 X 1 G5
32	4	YFBF16150	BOLT FLANGE, 1/2 X 1-1/2 G5
33	4	YFBF12300	BOLT FLANGE, 3/8 X 3 G5
34	17	YNFG16003	NUT FLANGE, 1/2 GF
35	2	YBCR10030	BOLT CARRIAGE, 5/16-18 X 3/4 G5 ZC

FIGURE 17 OPTIONAL WBOSBDH

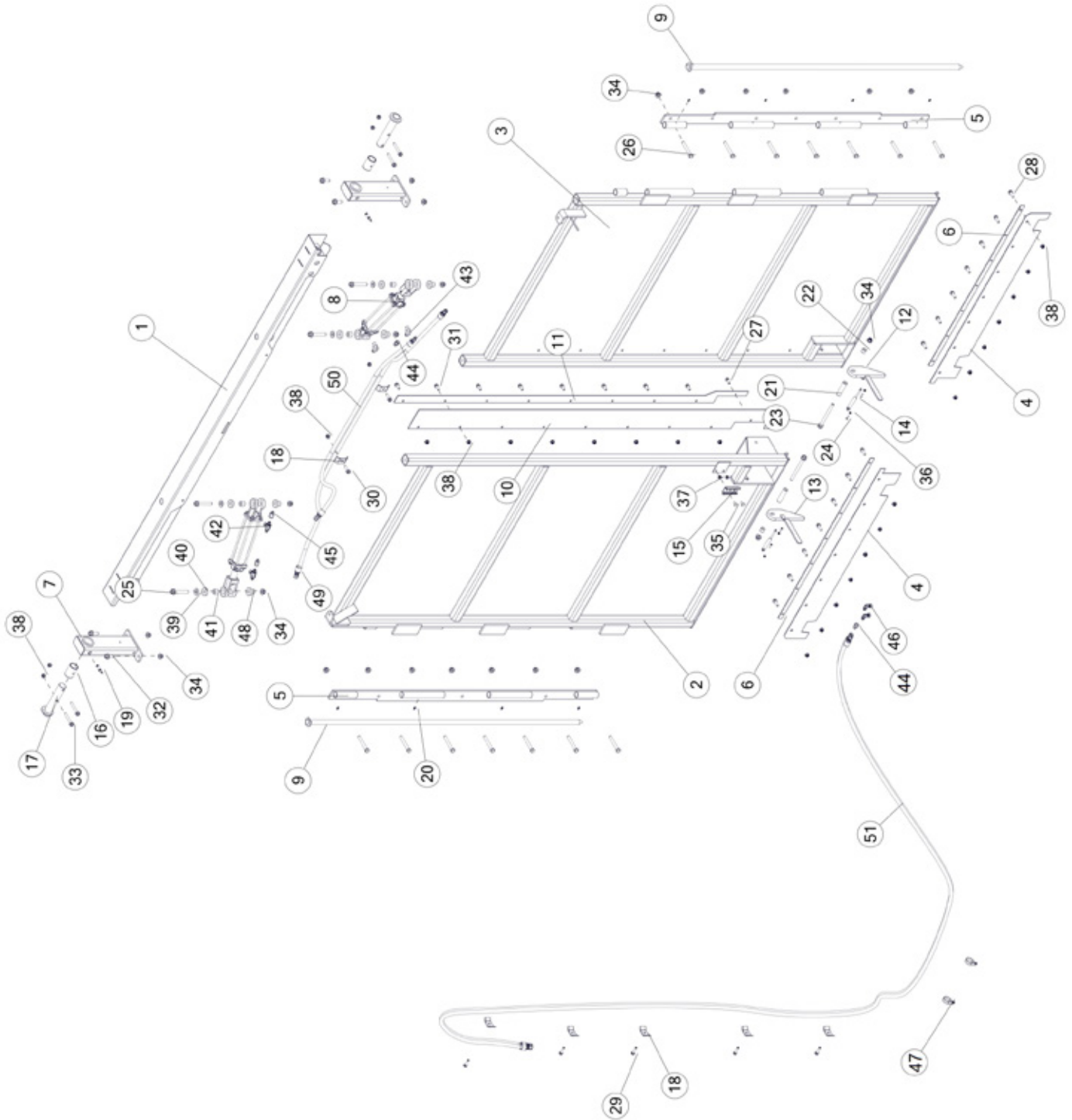


FIGURE 17
OPTIONAL WBOSBDH

<u>ITEM</u>	<u>QTY</u>	<u>PART#</u>	<u>DESCRIPTION</u>
36	4	YNNY62005	NUT HEX, #8-32 LKNY G2 ZC
37	2	YNFG10005	NUT FLANGE, 5/16 GF
38	10	YNFG12006	NUT FLANGE, 3/8 GF
39	4	YWFL16005	WASHER, FLAT 1/2 USS
40	4	84589	CYLINDER SPACER
41	4	BFR282	BELL CRANK BUSHING
42	2	90777	FITTING T, 6JIC, 6JIC, 3/8NPT
43	2	CHM164	FITTING, 90, 6JIC X 3/8NPT
44	2	58143	FITTING, 06-06 M/F ORIFICE, 0.047
45	1	90780	FITTING, STRAIGHT, 6JIC X 4JIC
46	1	58127	FITTING 90, 3/8 JIC, 3/8 JIC
47	2	1016	CUSHION WIRE CLAMP 1-1/2
48	4	82809	BUSHING, HYDRAULIC BARN DOOR
49	1	90817	HYDRAULIC HOSE, 6, 80
50	1	90818	HYDRAULIC HOSE, 6, 58
51	2	90507	HYDRAULIC HOSE, 6, 260

CHANGE NOTES

H&S MFG. CO.

products approved

for the

FEMA

SEAL OF QUALITY



Manufactured by:

H&S MANUFACTURING CO., INC.

2608 S. HUME AVE. MARSHFIELD, WI 54449

(715) 387-3414 | hsmfgco.com

