



WB8222

WB8224

WB8226

FORAGE BOX PARTS BOOK

Part #90795

HSMFG070722

Rev. #02

WB8222 Starting Ser. #NA

WB8224 Starting Ser. #322WB24001

WB8226 Starting Ser. #322WB26001

STRONG HERITAGE - STRONG PEOPLE - STRONGER FUTURE

TABLE OF CONTENTS

| | |
|--|-------|
| Instructions for Ordering Parts | 1 |
| Figure 1 - Side Stakes & Components | 2-3 |
| Figure 2 - Side Panels | 4-5 |
| Figure 3 - Top Rails & Screens, LH | 6-7 |
| Figure 4 - Top Rails & Screens, RH | 8-9 |
| Figure 5 - Floor & Components | 10-11 |
| Figure 6 - Front Panels & Components | 12-13 |
| Figure 7 - Idler Shaft & Components | 14-15 |
| Figure 8 - Drive Shaft & Components | 16-19 |
| Figure 9 - Apron Chain | 20-21 |
| Figure 10 - Hydraulics | 22-23 |
| Figure 11 - Lights | 24-25 |
| Figure 12 - Optional WBOTPD | 26-27 |
| Figure 13 - Optional WBOSBDA | 28-29 |
| Figure 14 - Optional WBOSBDA2 | 30-31 |
| Figure 15 - Optional WBOTMK | 32-33 |
| Figure 16 - Optional WBOCMK | 34-35 |
| Figure 17 - Optional WBOSBDH | 36-39 |
| Parts Notes | 40 |

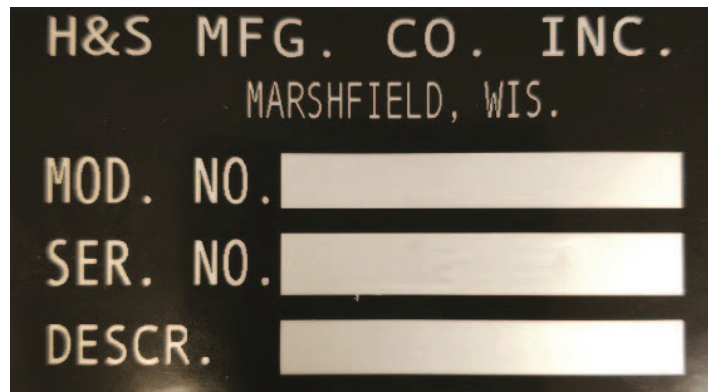
INSTRUCTIONS FOR ORDERING PARTS

All service parts should be ordered through your authorized H&S dealer. Your Dealership will be able to give you faster service if you will provide them with the following:

1. Model & Serial Number - Both can be located on the left rear side panel.
2. All references to left or right apply to the machine as viewed from the rear.
3. Parts should not be ordered from illustration only. Please order complete part number.
4. If your dealer has to order parts - give shipping instructions:

VIA truck - large pieces (please specify local truck lines)

VIA United Parcel Service (include full address)



PLEASE RECORD NUMBERS FOR YOUR UNIT FOR QUICK REFERENCE

ABOUT IMPROVEMENTS

H&S IS CONTINUALLY STRIVING TO IMPROVE ITS PRODUCTS

We must, therefore, reserve the right to make improvements or changes whenever it becomes practical to do so, without incurring any obligation to make changes or additions to the equipment previously sold.

FIGURE 1
SIDE STAKES & COMPONENTS

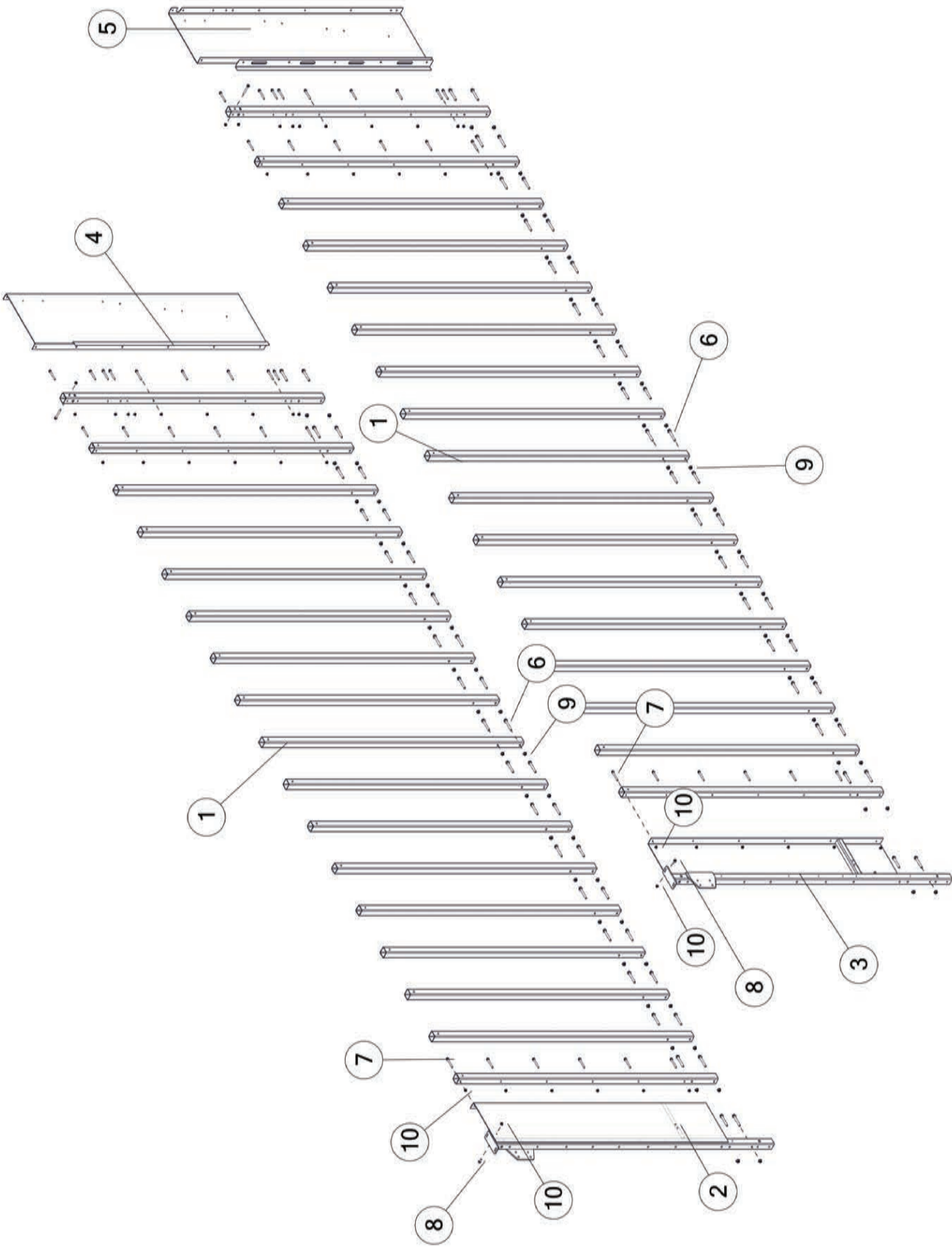


FIGURE 1

SIDE STAKES & COMPONENTS

| <u>ITEM</u> | <u>QTY 22'</u> | <u>QTY 24'</u> | <u>QTY 26'</u> | <u>PART#</u> | <u>DESCRIPTION</u> |
|-------------|----------------|----------------|----------------|--------------|-----------------------------|
| 1 | 22 | 26 | 34 | IFB124 | SIDE STAKE |
| 2 | 1 | 1 | 1 | 90083 | REAR SIDE PANEL, LH |
| 3 | 1 | 1 | 1 | 90084 | REAR SIDE PANEL, RH |
| 4 | 1 | - | - | 90880 | PANEL, FRONT LH |
| 4 | - | 1 | - | 90835 | FRONT SIDE PANEL, LH |
| 4 | - | - | 1 | 90509 | PANEL, FRONT LH |
| 5 | 1 | - | - | 90879 | PANEL, FRONT RH |
| 5 | - | 1 | - | 90833 | FRONT SIDE PANEL, RH |
| 5 | - | - | 1 | 90510 | PANEL, FRONT RH |
| 6 | 52 | 62 | 72 | YBFB16400 | BOLT FLANGE, 1/2 X 4 G5 |
| 7 | 44 | 44 | 44 | YBFB12350 | BOLT FLANGE, 3/8 X 3-1/2 G5 |
| 8 | 4 | 4 | 4 | YBFB12003 | BOLT FLANGE, 3/8 X 1 G5 |
| 9 | 52 | 62 | 72 | YNFG16003 | NUT FLANGE, 1/2 GF |
| 10 | 48 | 48 | 48 | YNFG12006 | NUT FLANGE, 3/8 GF |

FIGURE 2
SIDE PANELS

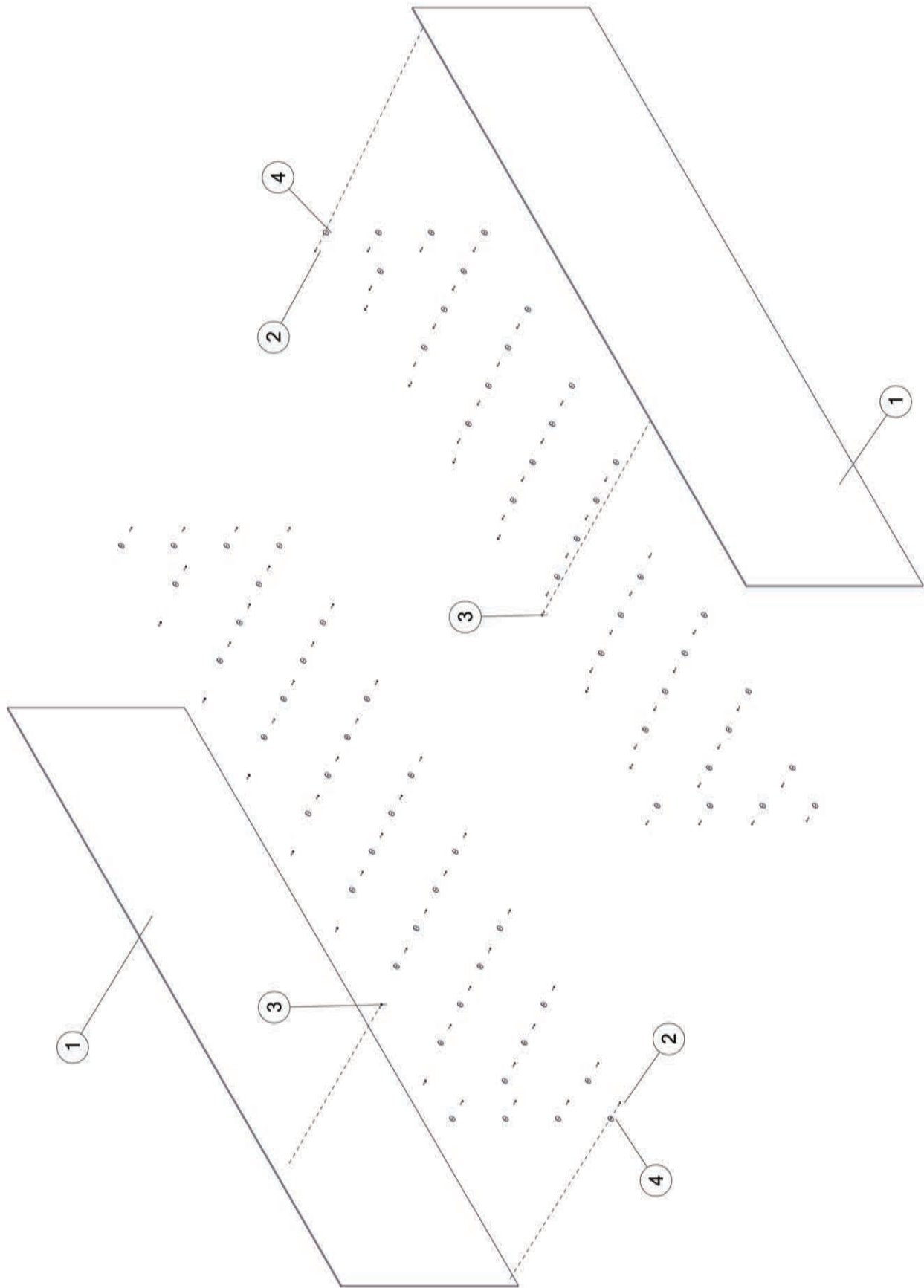


FIGURE 2 **SIDE PANELS**

| <u>ITEM</u> | <u>QTY 22'</u> | <u>QTY 24'</u> | <u>QTY 26'</u> | <u>PART#</u> | <u>DESCRIPTION</u> |
|--------------------|-----------------------|-----------------------|-----------------------|---------------------|---------------------------------------|
| 1 | 2 | - | - | 90876 | FRP PANEL, SIDE 22 FEET |
| 1 | - | 2 | - | 90828 | FRP PANEL, SIDE 24 FEET |
| 1 | - | - | 2 | 90075 | FRP PANEL, SIDE 26 FEET |
| 2 | 60 | 68 | 70 | YSDR08020 | SELF DRILL SCREW, HEX, 1/4-14 X 1-1/2 |
| 3 | 12 | 14 | 14 | YSHW10020 | THREAD CUTTING SCREW, 5/16-18 X 1-1/2 |
| 4 | 60 | 68 | 70 | YWCU99005 | WASHER, CUSTOM, FENDER 3/8 X 2 OD |

FIGURE 3
TOP RAILS & SCREENS, LH

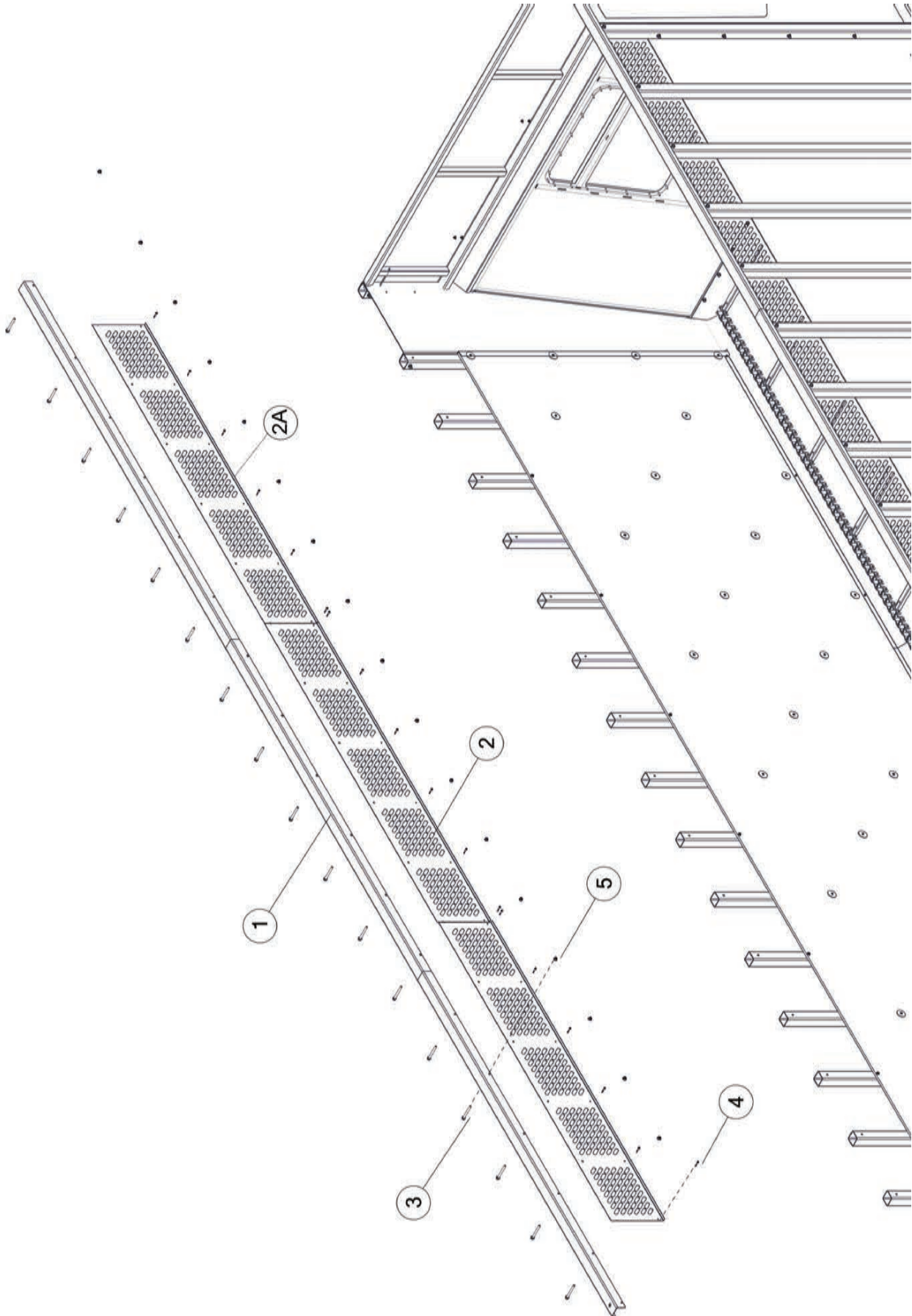


FIGURE 3
TOP RAILS & SCREENS, LH

| <u>ITEM</u> | <u>QTY 22'</u> | <u>QTY 24'</u> | <u>QTY 26'</u> | <u>PART#</u> | <u>DESCRIPTION</u> |
|-------------|----------------|----------------|----------------|--------------|---|
| 1 | 1 | - | - | 90882 | TOP RAIL, LH |
| 1 | - | 1 | - | 90850 | TOP RAIL, LH |
| 1 | - | - | 1 | 90155 | TOP RAIL, LH |
| 2A | 3 | 1 | - | 90839 | TOP SCREEN, 4 PANEL, LH |
| 2 | - | 2 | 3 | 89463 | TOP SCREEN, 5 PANEL, LH |
| 3 | 13 | 15 | 17 | YBFB12350 | BOLT FLANGE, 3/8 X 3-1/2 G5 |
| 4 | 15 | 17 | 18 | YSDR66010 | SELF DRILL SCRW, HEX HD, #12-14 X 1-1/2 |
| 5 | 13 | 15 | 17 | YNFG12006 | NUT FLANGE, 3/8 GF |

FIGURE 4
TOP RAILS & SCREENS, RH

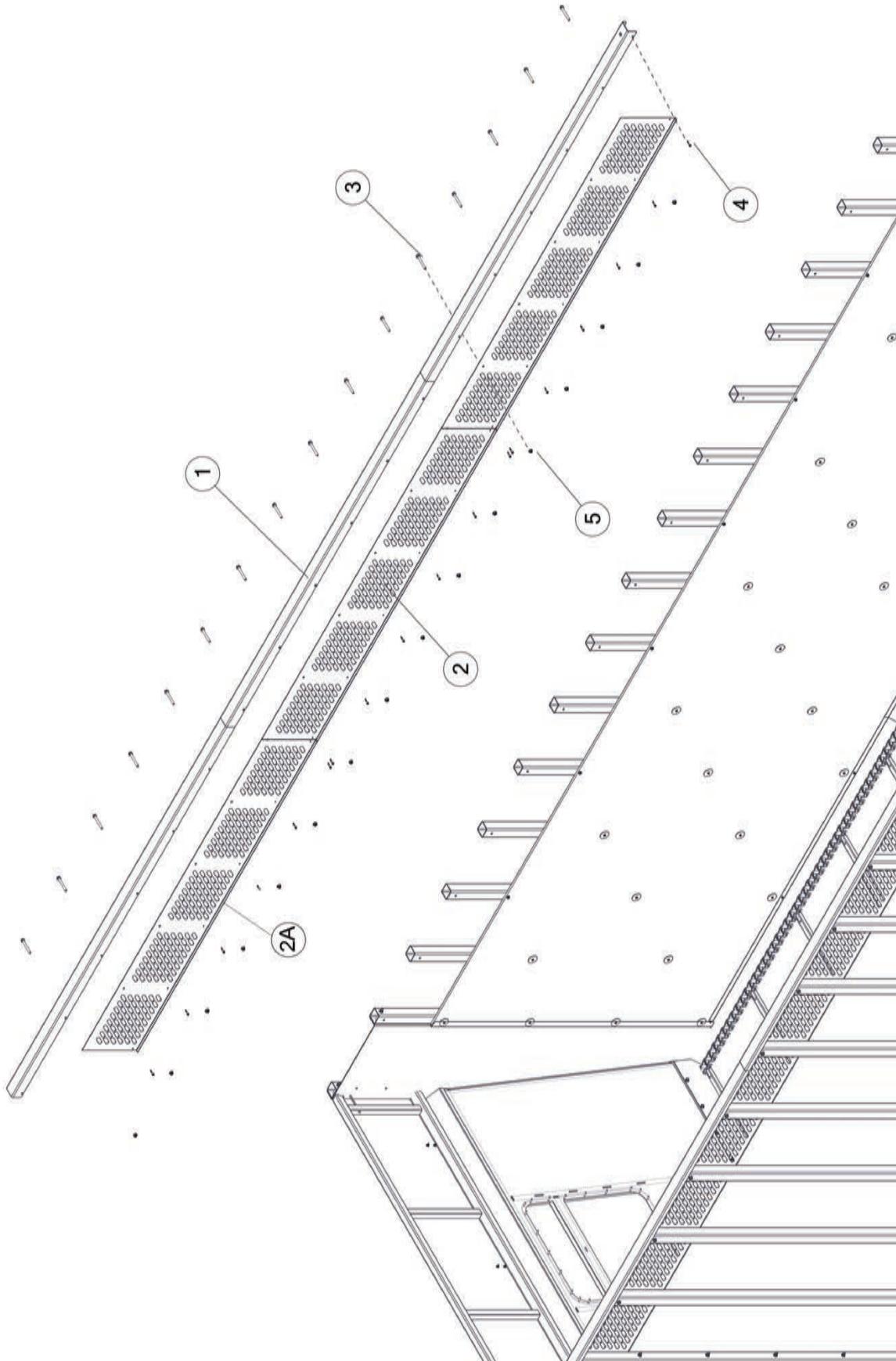


FIGURE 4
TOP RAILS & SCREENS, RH

| <u>ITEM</u> | <u>QTY 22'</u> | <u>QTY 24'</u> | <u>QTY 26'</u> | <u>PART#</u> | <u>DESCRIPTION</u> |
|-------------|----------------|----------------|----------------|--------------|---|
| 1 | 1 | - | - | 90884 | TOP RAIL, RH |
| 1 | - | 1 | - | 90848 | TOP RAIL, RH |
| 1 | - | - | 1 | 90151 | TOP RAIL, RH |
| 2A | 3 | 1 | - | 90838 | TOP SCREEN, 4 PANEL, RH |
| 2 | - | 2 | 3 | 90449 | TOP SCREEN, 5 PANEL, RH |
| 3 | 13 | 15 | 17 | YBFB12350 | BOLT FLANGE, 3/8 X 3-1/2 G5 |
| 4 | 15 | 17 | 18 | YSDR66010 | SELF DRILL SCRW, HEX HD, #12-14 X 1-1/2 |
| 5 | 13 | 15 | 17 | YNFG12006 | NUT FLANGE, 3/8 GF |

FIGURE 5
FLOOR & COMPONENTS

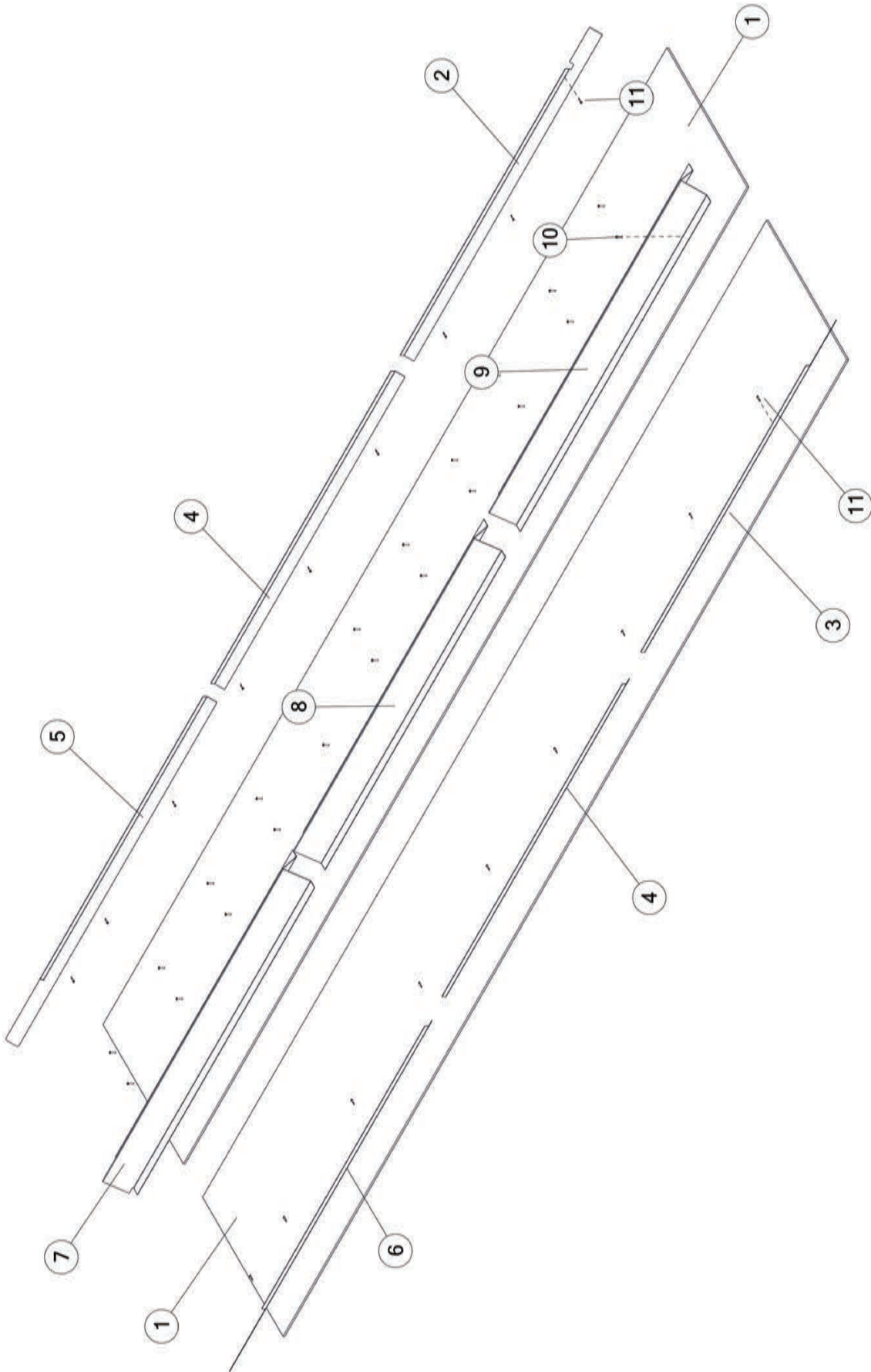


FIGURE 5

FLOOR & COMPONENTS

| <u>ITEM</u> | <u>QTY 22'</u> | <u>QTY 24'</u> | <u>QTY 26'</u> | <u>PART#</u> | <u>DESCRIPTION</u> |
|-------------|----------------|----------------|----------------|--------------|---|
| 1 | 2 | - | - | 85432 | POLY FLOOR PANEL |
| 1 | - | 2 | - | 85399 | POLY FLOOR PANEL |
| 1 | - | - | 2 | 85400 | POLY FLOOR PANEL |
| 2 | 1 | - | - | 90887 | STEEL PANEL SLANT, FRONT LH |
| 2 | - | 1 | - | 90841 | FRONT FLOOR HOLDDOWN, LH |
| 2 | - | - | 1 | 90144 | STEEL PANEL SLANT, FRONT LH |
| 3 | 1 | - | - | 90886 | STEEL PANEL SLANT, FRONT RH |
| 3 | - | 1 | - | 90840 | FRONT FLOOR HOLDDOWN, RH |
| 3 | - | - | 1 | 90142 | STEEL PANEL SLANT, FRONT RH |
| 4 | 2 | 2 | 2 | 90129 | STEEL PANEL SLANT, CENTER |
| 5 | 1 | 1 | 1 | 90147 | REAR FLOOR HOLDDOWN, LH |
| 6 | 1 | 1 | 1 | 90148 | REAR FLOOR HOLDDOWN, RH |
| 7 | 1 | 1 | 1 | 87583 | FLOOR RIDGE, BACK CENTER |
| 8 | 1 | - | - | 90335 | FLOOR RIDGE, CENTER |
| 8 | - | 1 | 1 | 87562 | FLOOR RIDGE, CENTER |
| 9 | 1 | 1 | 1 | 90078 | FLOOR RIDGE, FRONT |
| 10 | 22 | 24 | 22 | YSDR08020 | SELF DRILL SCREW, HEX, 1/4-14 X 1-1/2 |
| 11 | 18 | 16 | 18 | YSDR66010 | SELF DRILL SCRW, HEX HD, #12-14 X 1-1/2 |

FIGURE 6 FRONT PANELS & COMPONENTS

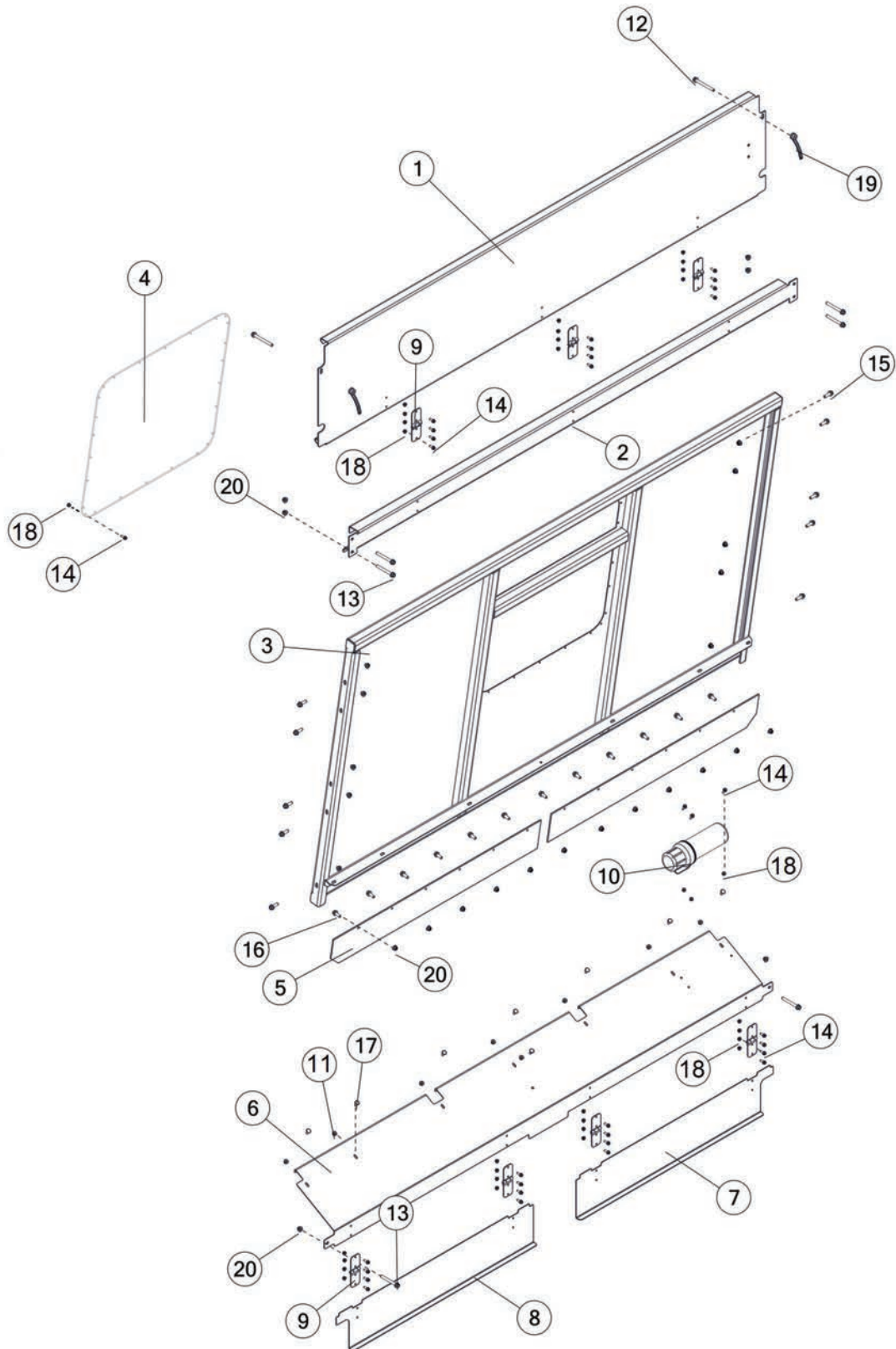


FIGURE 6

FRONT PANELS & COMPONENTS

| <u>ITEM</u> | <u>QTY 22'</u> | <u>QTY 24'</u> | <u>QTY 26'</u> | <u>PART#</u> | <u>DESCRIPTION</u> |
|-------------|----------------|----------------|----------------|--------------|------------------------------------|
| 1 | 1 | 1 | 1 | 90027 | FOLD DOWN, FRONT |
| 2 | 1 | 1 | 1 | 90025 | PANEL, FRONT UPPER |
| 3 | 1 | 1 | 1 | 89302 | FRONT PANEL |
| 4 | 1 | 1 | 1 | 88713 | LARGE WINDOW WITH HOLES |
| 5 | 1 | 1 | 1 | 79237 | FRONT RUBBER |
| 6 | 1 | 1 | 1 | 89301 | FRONT SHIELD TOP |
| 7 | 1 | 1 | 1 | 90041B | FRONT SHIELD, LH W/DECAL |
| 8 | 1 | 1 | 1 | 90030B | FRONT SHIELD, RH W/DECAL |
| 9 | 7 | 7 | 7 | 82134 | HINGE |
| 10 | 1 | 1 | 1 | S522 | MANUAL HOLDER |
| 11 | 7 | 7 | 7 | YNFG10005 | NUT FLANGE, 5/16 GF |
| 12 | 2 | 2 | 2 | YBFB12400 | BOLT FLANGE, 3/8 X 4 G5 |
| 13 | 4 | 4 | 4 | YBFB12350 | BOLT FLANGE, 3/8 X 3-1/2 G5 |
| 14 | 57 | 57 | 57 | YBFB08075 | BOLT FLANGE, 1/4 X 3/4 G5 |
| 15 | 10 | 10 | 10 | YBFB12125 | BOLT FLANGE, 3/8 X 1-1/4 G5 |
| 16 | 12 | 12 | 12 | YBFB12003 | BOLT FLANGE, 3/8 X 1 G5 |
| 17 | 7 | 7 | 7 | YBCR10030 | BOLT CARRIAGE, 5/16-18 X 3/4 G5 ZC |
| 18 | 57 | 57 | 57 | YNFG08010 | NUT FLANGE, 1/4 GF |
| 19 | 2 | 2 | 2 | S192 | HANDLE NUT |
| 20 | 28 | 28 | 28 | YNFG12006 | NUT FLANGE, 3/8 GF |

FIGURE 7 IDLER SHAFT & COMPONENTS

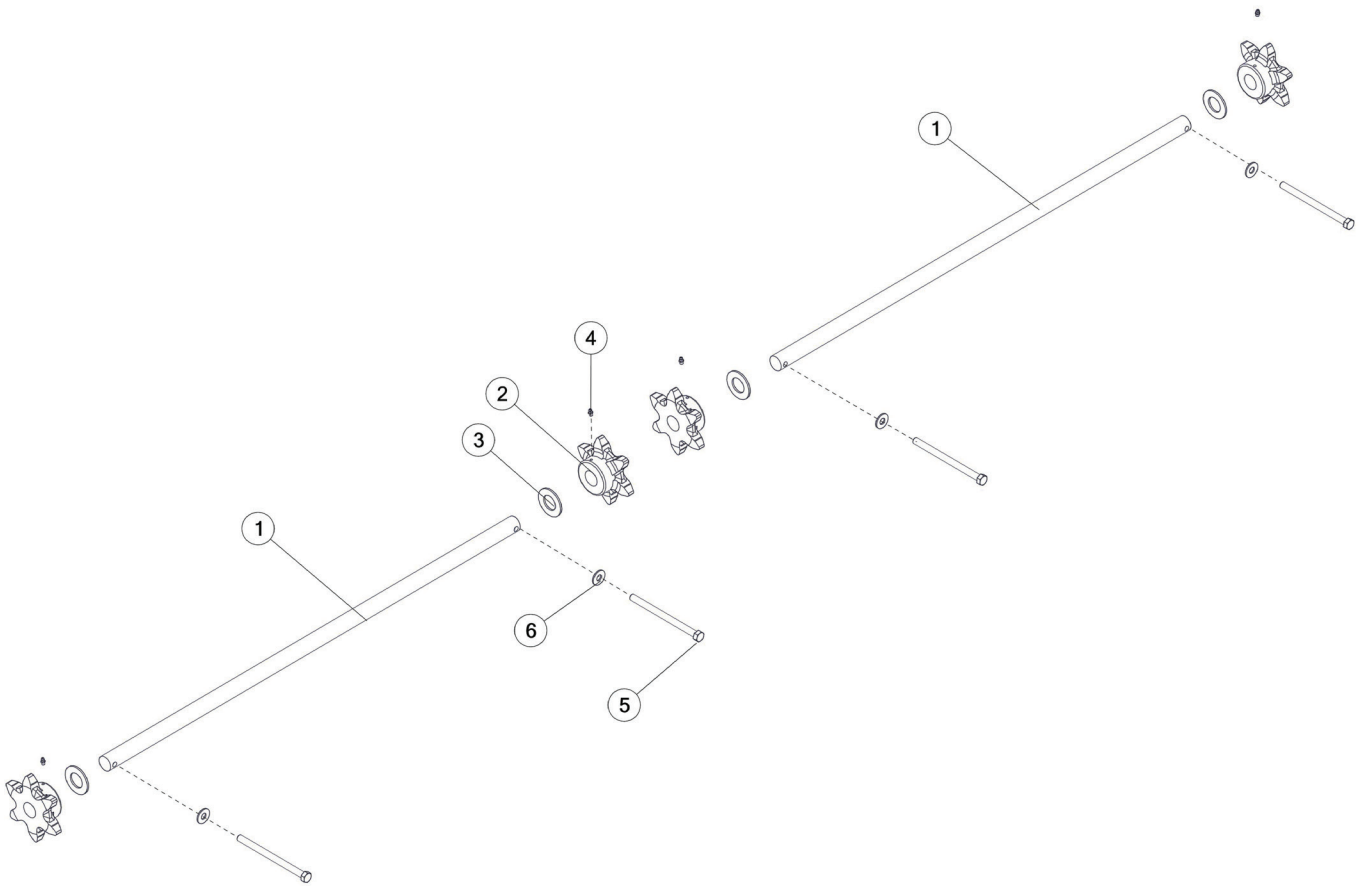


FIGURE 7
IDLER SHAFT & COMPONENTS

| <u>ITEM</u> | <u>QTY 22'</u> | <u>QTY 24'</u> | <u>QTY 26'</u> | <u>PART#</u> | <u>DESCRIPTION</u> |
|-------------|----------------|----------------|----------------|--------------|----------------------------------|
| 1 | 2 | 2 | 2 | S63 | IDLER SHAFT |
| 2 | 4 | 4 | 4 | JB10 | IDLER SHAFT SPROCKET |
| 3 | 4 | 4 | 4 | S61 | IDLER SHAFT SPACER |
| 4 | 4 | 4 | 4 | G89 | STRAIGHT ZERK, 1/4-28 |
| 5 | 4 | 4 | 4 | YBHH16181 | BOLT HEX, 1/2 X 7 G5 FULL THREAD |
| 6 | 4 | 4 | 4 | YWFL16005 | WASHER, FLAT 1/2 USS |

FIGURE 8 **DRIVE SHAFT & COMPONENTS**

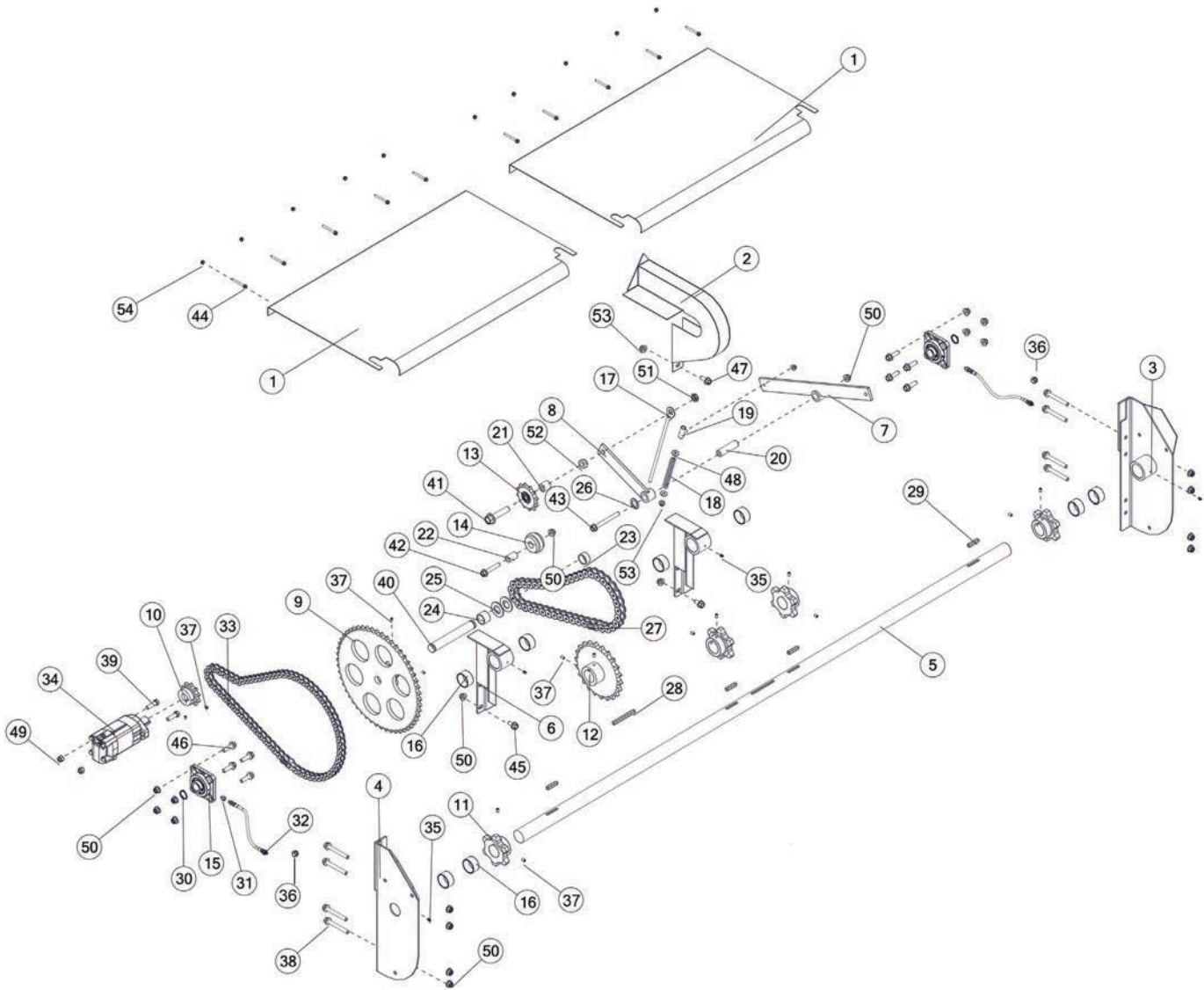


FIGURE 8

DRIVE SHAFT & COMPONENTS

| <u>ITEM</u> | <u>QTY 22'</u> | <u>QTY 24'</u> | <u>QTY 26'</u> | <u>PART#</u> | <u>DESCRIPTION</u> |
|-------------|----------------|----------------|----------------|--------------|---|
| 1 | 2 | 2 | 2 | 90541 | DRIVE SHAFT COVER |
| 2 | 1 | 1 | 1 | 94283 | CENTER DRIVE SHIELD |
| 3 | 1 | 1 | 1 | 94269 | DRIVE SHAFT MOUNT RH |
| 4 | 1 | 1 | 1 | 94274 | DRIVE SHAFT MOUNT LH |
| 5 | 1 | 1 | 1 | 96028 | DRIVE SHAFT |
| 6 | 2 | 2 | 2 | 94277 | SUPPORT, DRIVESHAFT |
| 7 | 1 | 1 | 1 | IFB11 | LONG TIGHTENER |
| 8 | 1 | 1 | 1 | IFB10 | SHORT TIGHTENER |
| 9 | 1 | 1 | 1 | IFB148 | SHORT IDLER SPROCKET |
| 10 | 1 | 1 | 1 | IFB4 | SPROCKET, 80B10, 1.251 ID |
| 11 | 4 | 4 | 4 | 72669 | STEEL SPROCKET, 6T |
| 12 | 1 | 1 | 1 | 89831 | SPROCKET, 22 |
| 13 | 1 | 1 | 1 | 12V77 | TIGHTENER SPROCKET |
| 14 | 1 | 1 | 1 | IFB14 | CHAIN TIGHTENER ROLLER |
| 15 | 2 | 2 | 2 | 45N67 | BEARING WITH HOLDER |
| 16 | 8 | 8 | 8 | 72652 | BRONZE BUSHING |
| 17 | 1 | 1 | 1 | IFB5 | TIGHTENER ROD |
| 18 | 1 | 1 | 1 | 23N211 | SPRING |
| 19 | 1 | 1 | 1 | 23N206 | CLUTCH ROD HOLDER |
| 20 | 1 | 1 | 1 | IFB12 | POLY CHAIN TIGHTENER AXLE |
| 21 | 1 | 1 | 1 | IFB9 | PRIMARY DRIVE SPACER |
| 22 | 1 | 1 | 1 | 92972 | SPACER |
| 23 | 1 | 1 | 1 | R15 | FRONT SHAFT SPACER |
| 24 | 1 | 1 | 1 | R57 | 2ND BEATER SPACER |
| 25 | 2 | 2 | 2 | S61 | IDLER SHAFT SPACER |
| 26 | 2 | 2 | 2 | YWFL16005 | WASHER FLAT, 1/2 |
| 27 | 1 | 1 | 1 | IFB129 | CHAIN #100 X 44 HEAVY |
| 28 | 1 | 1 | 1 | 96027 | SQUARE KEY, 3/8 X 4 |
| 29 | 4 | 4 | 4 | PB87 | SQUARE KEY, 3/8 X 2 |
| 30 | 2 | 2 | 2 | F73 | SNAP RING, 1-1/4 |
| 31 | 2 | 2 | 2 | TS323 | FITTING STRAIGHT, 1/4-28, 1/8-27NPT |
| 32 | 2 | 2 | 2 | 90769 | HYD HOSE, 2, 14 |
| 33 | 1 | 1 | 1 | 16SV330 | ROLLER CHAIN, 80HE X 68 |
| 34 | 1 | 1 | 1 | 16SV150 | HYD MOTOR |
| 35 | 4 | 4 | 4 | G89 | STRAIGHT ZERK, 1/4-28 |
| 36 | 2 | 2 | 2 | YNJM04005 | NUT JAM, 1/8 A |
| 37 | 14 | 14 | 14 | YSKP12025 | SET SCR SOCKET, KNURL CUP PT, 3/8 X 3/8 |
| 38 | 8 | 8 | 8 | YBFB16400 | BOLT FLANGE, 1/2 X 4 G5 |
| 39 | 2 | 2 | 2 | YBHH16055 | BOLT HEX, 1/2-13 X 1-3/4 G5 |

FIGURE 8 **DRIVE SHAFT & COMPONENTS**

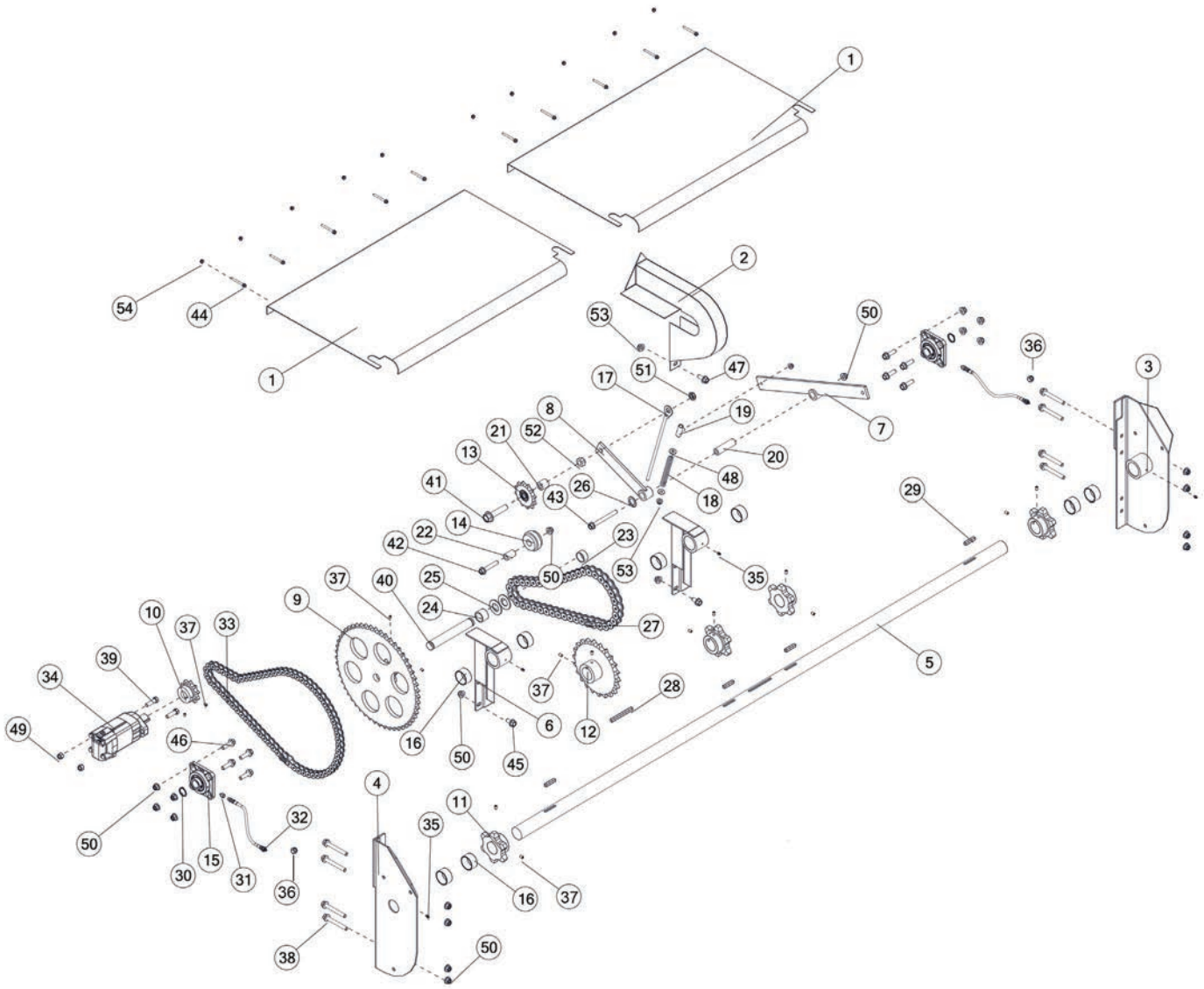


FIGURE 8

DRIVE SHAFT & COMPONENTS

| <u>ITEM</u> | <u>QTY 22'</u> | <u>QTY 24'</u> | <u>QTY 26'</u> | <u>PART#</u> | <u>DESCRIPTION</u> |
|-------------|----------------|----------------|----------------|--------------|-----------------------------|
| 40 | 1 | 1 | 1 | IFB136 | IDLER SHAFT |
| 41 | 1 | 1 | 1 | YBFB24350 | BOLT FLANGE, 3/4 X 3-1/2 G5 |
| 42 | 1 | 1 | 1 | YBFB16300 | BOLT FLANGE, 1/2 X 3 G5 |
| 43 | 1 | 1 | 1 | YBFB16500 | BOLT FLANGE, 1/2 X 5 G5 |
| 44 | 10 | 10 | 10 | YBFB08250 | BOLT FLANGE, 1/4 X 2-1/2 G5 |
| 45 | 2 | 2 | 2 | YBFB16100 | BOLT FLANGE, 1/2 X 1 G5 |
| 46 | 8 | 8 | 8 | YBFB16175 | BOLT FLANGE, 1/2 X 1-3/4 G5 |
| 47 | 1 | 1 | 1 | YBFB12125 | BOLT FLANGE, 3/8 X 1-1/4 G5 |
| 48 | 2 | 2 | 2 | YWFL12005 | WASHER FLAT, 3/8 USS |
| 49 | 2 | 2 | 2 | YNNY16005 | NUT HEX, 1/2-13 LKNY G2 ZC |
| 50 | 8 | 8 | 8 | YNFG16003 | NUT FLANGE, 1/2 GF |
| 51 | 1 | 1 | 1 | YNNJ24005 | NUT JAM, 3/4-10 LKNY G2 ZC |
| 52 | 1 | 1 | 1 | YNHX24004 | NUT HEX, 3/4-10 NA G5 ZC |
| 53 | 2 | 2 | 2 | YNFG12006 | NUT FLANGE, 3/8 GF |
| 54 | 10 | 10 | 10 | YNFG08010 | NUT FLANGE, 1/4 GF |
| * | 1 | 1 | 1 | 94276 | DRIVE SHAFT ASSEMBLY |

FIGURE 9 APRON CHAIN

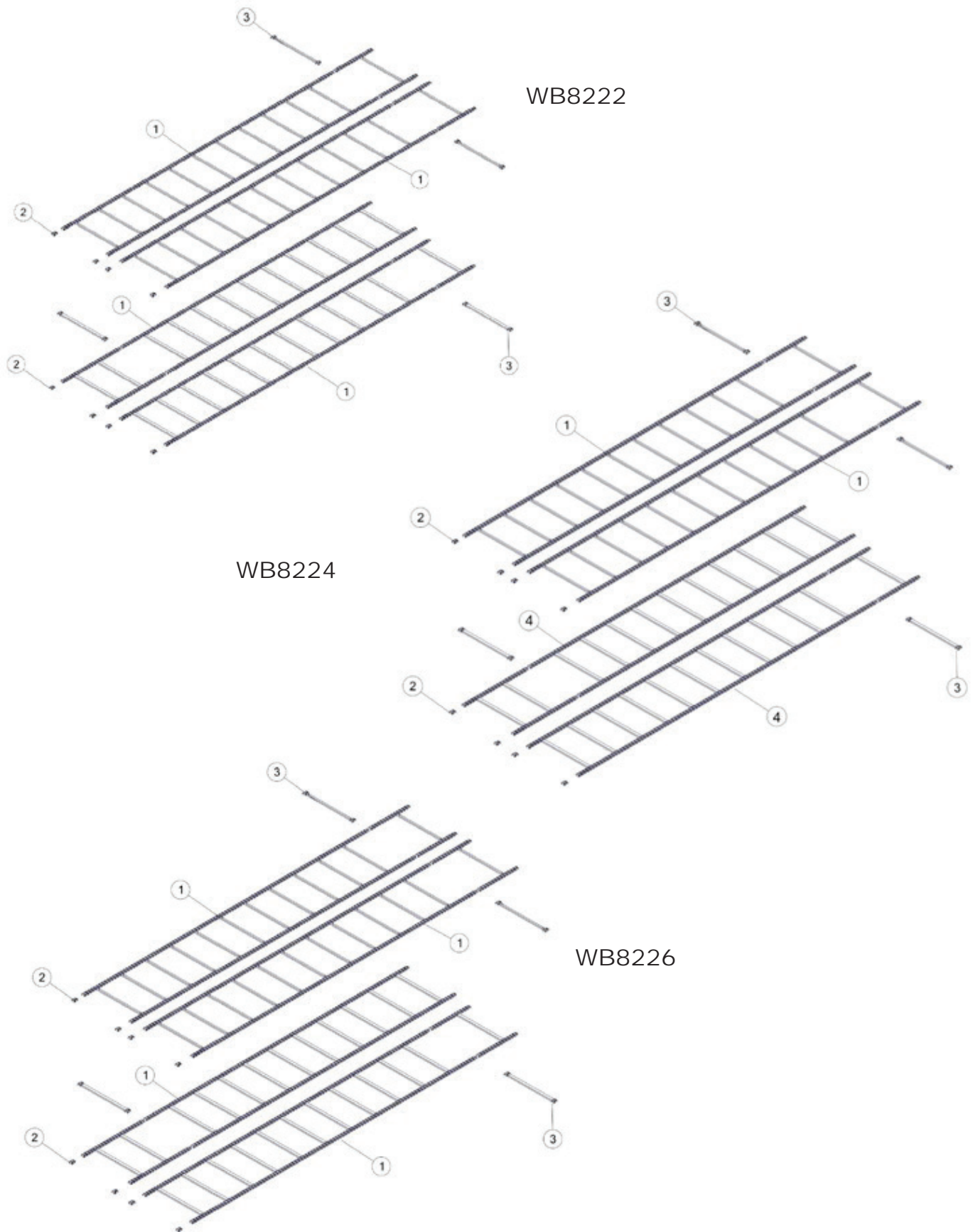


FIGURE 9 APRON CHAIN

| <u>ITEM</u> | <u>QTY 22'</u> | <u>QTY 24'</u> | <u>QTY 26'</u> | <u>PART#</u> | <u>DESCRIPTION</u> |
|-------------|----------------|----------------|----------------|--------------|---|
| 1 | 4 | 2 | - | L3450 | APRON CHAIN, 667XH X 119 |
| 1 | - | - | 4 | L3449 | APRON CHAIN, 667XH X 140 |
| 2 | 8 | 8 | 8 | PB181 | PNTL CHAIN, 667XH X 1, CONN LINK |
| 3 | 52 | 56 | 60 | PB177 | CHAIN SLAT, 667XH X 1, W/ ATTACHMENT LINK |
| 4 | NA | 2 | NA | L3449 | APRON CHAIN, 667XH X 140 |

FIGURE 10 HYDRAULICS

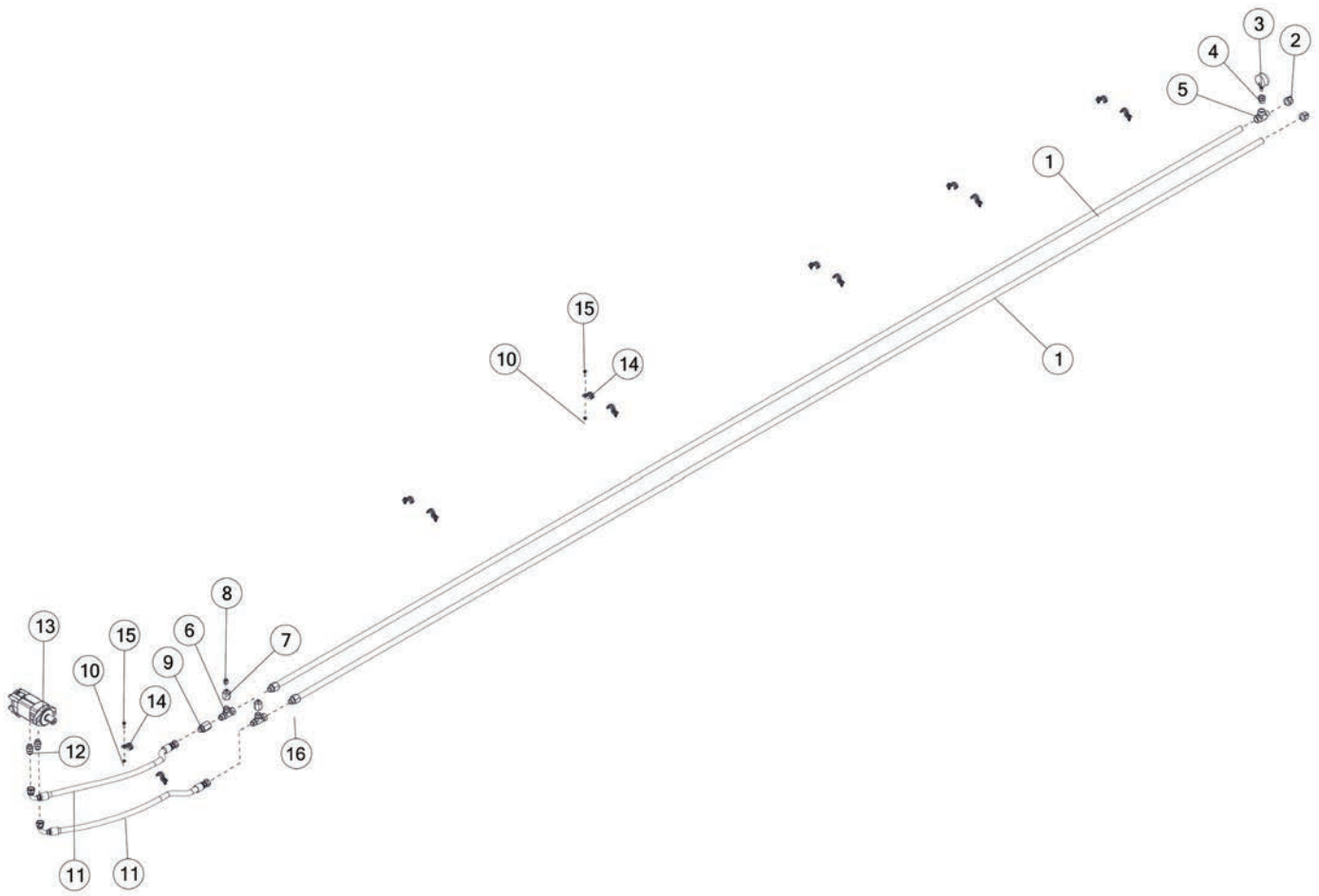


FIGURE 10 HYDRAULICS

| <u>ITEM</u> | <u>QTY 22'</u> | <u>QTY 24'</u> | <u>QTY 26'</u> | <u>PART#</u> | <u>DESCRIPTION</u> |
|-------------|----------------|----------------|----------------|--------------|--------------------------------------|
| 1 | 2 | - | - | PB173 | HYDRAULIC PIPE |
| 1 | - | 2 | - | IFB1 | HYDRAULIC PIPE |
| 1 | - | - | 2 | 90820 | HYDRAULIC PIPE |
| 2 | 2 | 2 | 2 | 54565 | PIPE CAP, 3/4 |
| 3 | 1 | 1 | 1 | BBS33 | 4000 PSI GAUGE |
| 4 | 1 | 1 | 1 | GM11 | REDUCER, 3/4 X 1/4 PRT |
| 5 | 1 | 1 | 1 | GM10 | FTG TEE, 3/4NPTF. 3/4 NPTF, 3/4 NPTF |
| 6 | 2 | 2 | 2 | CHM180 | FITTING, TEE, 12JIC X 12JIC X 12JIC |
| 7 | 2 | 2 | 2 | 86540 | FITTING, STRAIGHT, 12JIC X 6JIC |
| 8 | 1 | 1 | 1 | 83114 | FITTING CAP, 6JIC |
| 9 | 1 | 1 | 1 | 86477 | HYD VALVE, CHECK, 3/4 |
| 10 | 12 | 12 | 12 | YNFG08010 | NUT FLANGE, 1/4 GF |
| 11 | 2 | 2 | 2 | 90216 | HYDRAULIC HOSE, 10, 34.5 |
| 12 | 2 | 2 | 2 | GM21 | FTG, ST, 12JIC, 10ORB, STL |
| 13 | 1 | 1 | 1 | 16SV150 | HYD MOTOR |
| 14 | 12 | 12 | 12 | 90214 | TUBE CLAMP |
| 15 | 12 | 12 | 12 | YBFB08100 | BOLT FLANGE, 1/4 X 1 G5 |
| 16 | 2 | 2 | 2 | 58055 | FITT ST, 12 JIC, 12 NPT |

FIGURE 11 LIGHTS

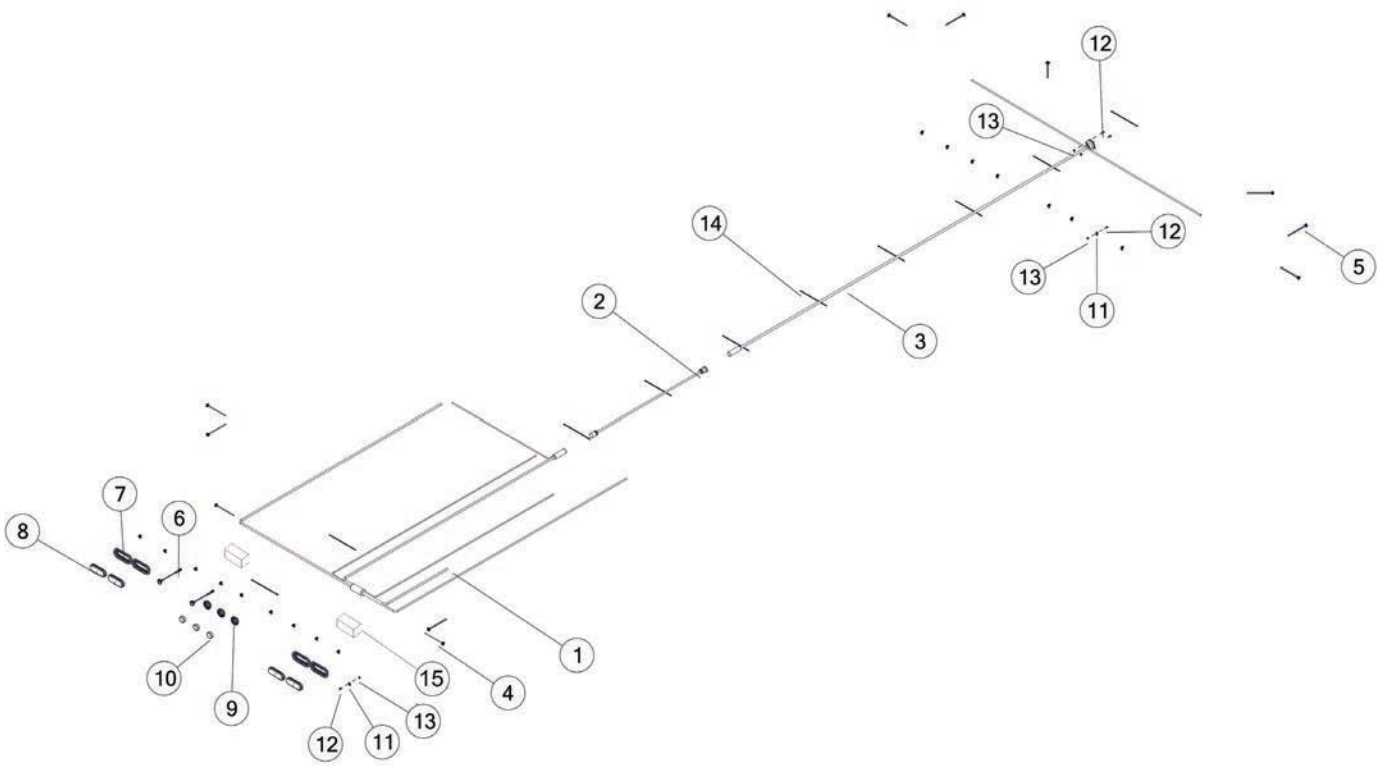


FIGURE 11 LIGHTS

| <u>ITEM</u> | <u>QTY 22'</u> | <u>QTY 24'</u> | <u>QTY 26'</u> | <u>PART#</u> | <u>DESCRIPTION</u> |
|-------------|----------------|----------------|----------------|--------------|---------------------------|
| 1 | 1 | 1 | 1 | 78656 | ELEC HARNESS, REAR MAIN |
| 2 | NA | 1 | 1 | 81670 | HARNESS EXTENSION |
| 3 | 1 | 1 | 1 | 90504 | ELEC HARNESS, FRONT TRUCK |
| 4 | 6 | 6 | 6 | 8620 | RED LED LIGHT, ROUND |
| 5 | 6 | 6 | 6 | 8033 | AMBER LED LIGHT, ROUND |
| 6 | 2 | 2 | 2 | BBS98 | LICENSE LIGHT |
| 7 | 4 | 4 | 4 | S308 | OVAL LIGHT GROMMET |
| 8 | 4 | 4 | 4 | 78671 | RED LED LIGHT, OVAL |
| 9 | 3 | 3 | 3 | BBS91 | ROUND LIGHT GROMMET |
| 10 | 3 | 3 | 3 | BBS92 | MARKER LIGHT, RED ROUND |
| 11 | 18 | 18 | 18 | 87705 | CUSHION WIRE CLAMP 3/8 |
| 12 | 18 | 18 | 18 | YBFB08075 | BOLT FLANGE, 1/4 X 3/4 G5 |
| 13 | 18 | 18 | 18 | YNFG08010 | NUT FLANGE, 1/4 GF |
| 14 | 10 | 10 | 10 | CIZT109 | ZIPTIE, 11.5 X .19 X .06 |
| 15 | 2 | 2 | 2 | 92932 | PLUG, FEMALE DUMMY |

FIGURE 12
OPTIONAL WBOTPD

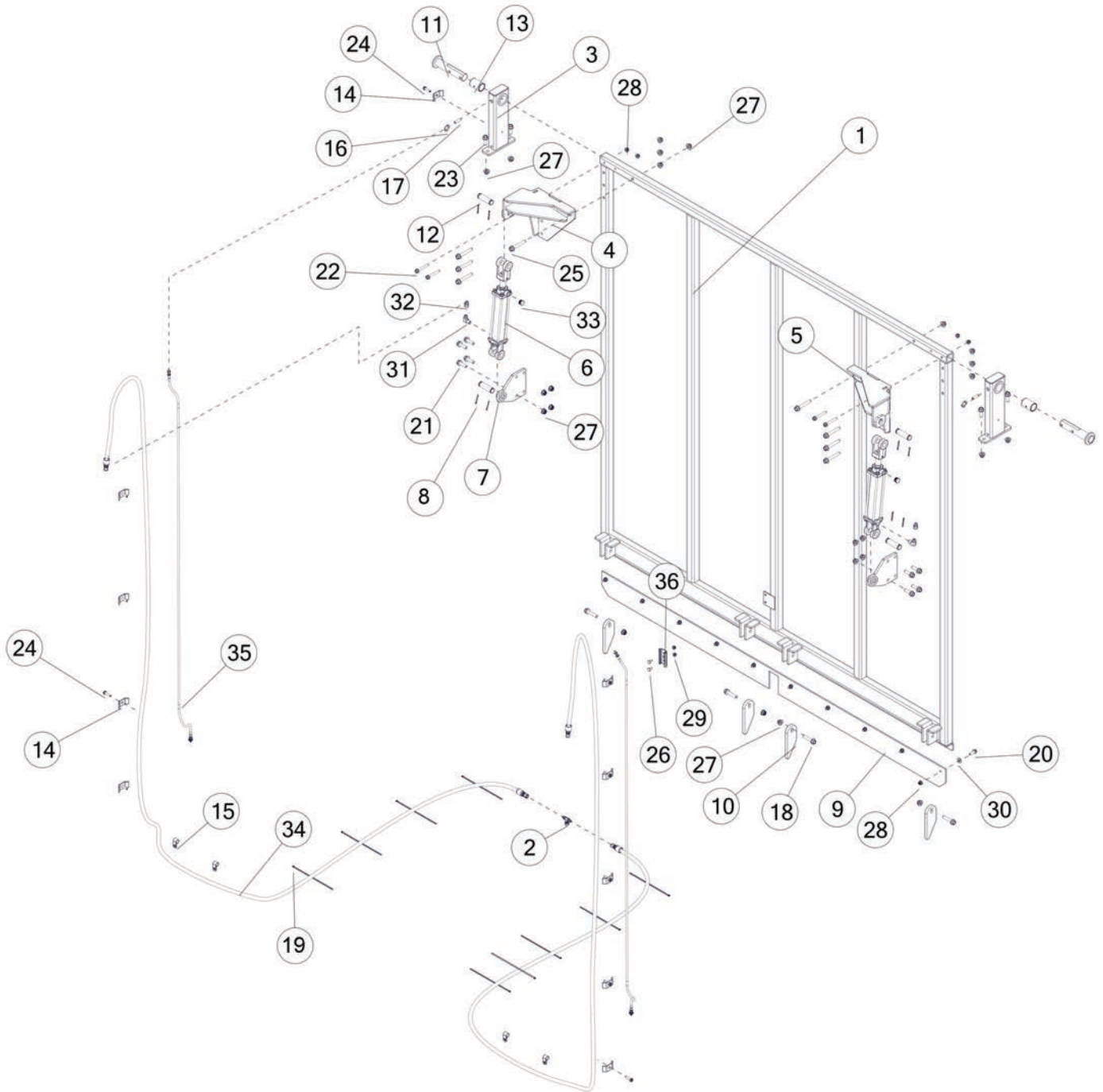


FIGURE 12

OPTIONAL WBOTPD

| <u>ITEM</u> | <u>QTY 22'</u> | <u>QTY 24'</u> | <u>QTY 26'</u> | <u>PART#</u> | <u>DESCRIPTION</u> |
|-------------|----------------|----------------|----------------|--------------|---|
| 1 | 1 | 1 | 1 | 89983 | DOOR |
| 2 | 1 | 1 | 1 | 58137 | FITT T, 6JIC, 6JIC 6JIC |
| 3 | 2 | 2 | 2 | 90679 | STAKE TOP REAR ASSEMBLY |
| 4 | 1 | 1 | 1 | 89265 | UPPER GATE DELAY MOUNT, LH |
| 5 | 1 | 1 | 1 | 89945 | UPPER GATE DELAY MOUNT, RH |
| 6 | 2 | 2 | 2 | 55999 | CYLINDER, 2 |
| * | 2 | 2 | 2 | 56187 | SEAL KIT |
| 7 | 2 | 2 | 2 | 89267 | LOWER GATE DELAY MOUNT |
| 8 | 8 | 8 | 8 | YPCT05010 | COTTER PIN, 5/32 X 1-1/2 |
| 9 | 1 | 1 | 1 | 90014 | DOOR SEAL |
| 10 | 4 | 4 | 4 | BBS67 | LATCH |
| 11 | 2 | 2 | 2 | BBS64 | DOOR HINGE PIN |
| 12 | 4 | 4 | 4 | T143 | HYDRAULIC CYLINDER PIN |
| 13 | 2 | 2 | 2 | BBS39 | BUSHING |
| 14 | 10 | 10 | 10 | 23N67 | FRONT HOSE BRACKET |
| 15 | 4 | 4 | 4 | HGV72 | CUSHION WIRE CLAMP 3/4 |
| 16 | 2 | 2 | 2 | 90684 | FITTING 90, 1/8NPT, 1/8NPT |
| 17 | 2 | 2 | 2 | 90681 | PIPE NIPPLE |
| 18 | 4 | 4 | 4 | YBFB16250 | BOLT FLANGE, 1/2 X 2-1/2 G5 |
| 19 | 10 | 10 | 10 | CIZT104 | ZIPTIE, 11 X .18 X .05 |
| 20 | 10 | 10 | 10 | YBFB12125 | BOLT FLANGE, 3/8 X 1-1/4 G5 |
| 21 | 4 | 4 | 4 | YBFB16175 | BOLT FLANGE, 1/2 X 1-3/4 G5 |
| 22 | 4 | 4 | 4 | YBFB12300 | BOLT FLANGE, 3/8 X 3 G5 |
| 23 | 4 | 4 | 4 | YBFB16150 | BOLT FLANGE, 1/2 X 1-1/2 G5 |
| 24 | 10 | 10 | 10 | YSHW10020 | THREAD CUT SCREW, 5/16-18 X 1-1/2 |
| 25 | 8 | 8 | 8 | YBFB16350 | BOLT FLANGE, 1/2 X 3-1/2 G5 |
| 26 | 2 | 2 | 2 | YBCR10030 | BOLT CARRIAGE, 5/16-18 X 3/4 G5 ZC |
| 27 | 20 | 20 | 20 | YNFG16003 | NUT FLANGE, 1/2 GF |
| 28 | 14 | 14 | 14 | YNFG12006 | NUT FLANGE, 3/8 GF |
| 29 | 2 | 2 | 2 | YNFG10005 | NUT FLANGE, 5/16 GF |
| 30 | 10 | 10 | 10 | YWFL12005 | WASHER FLAT, 3/8 USS |
| 31 | 2 | 2 | 2 | CHM164 | FITTING, 90, 6JIC X 3/8NPT |
| 32 | 2 | 2 | 2 | 58144 | IN-LINE CONNECTOR, ORIFICE, 6-XHX7-S .062 |
| 33 | 2 | 2 | 2 | BFR70 | VENT PLUG, 3/8 |
| 34 | 2 | 2 | 2 | 90507 | HYDRAULIC HOSE, 6, 260 |
| 35 | 2 | 2 | 2 | 90729 | HYD HOSE, 2, 88 |
| 36 | 1 | 1 | 1 | F97 | SMV HOLDER |

FIGURE 13
OPTIONAL WBOSBDA

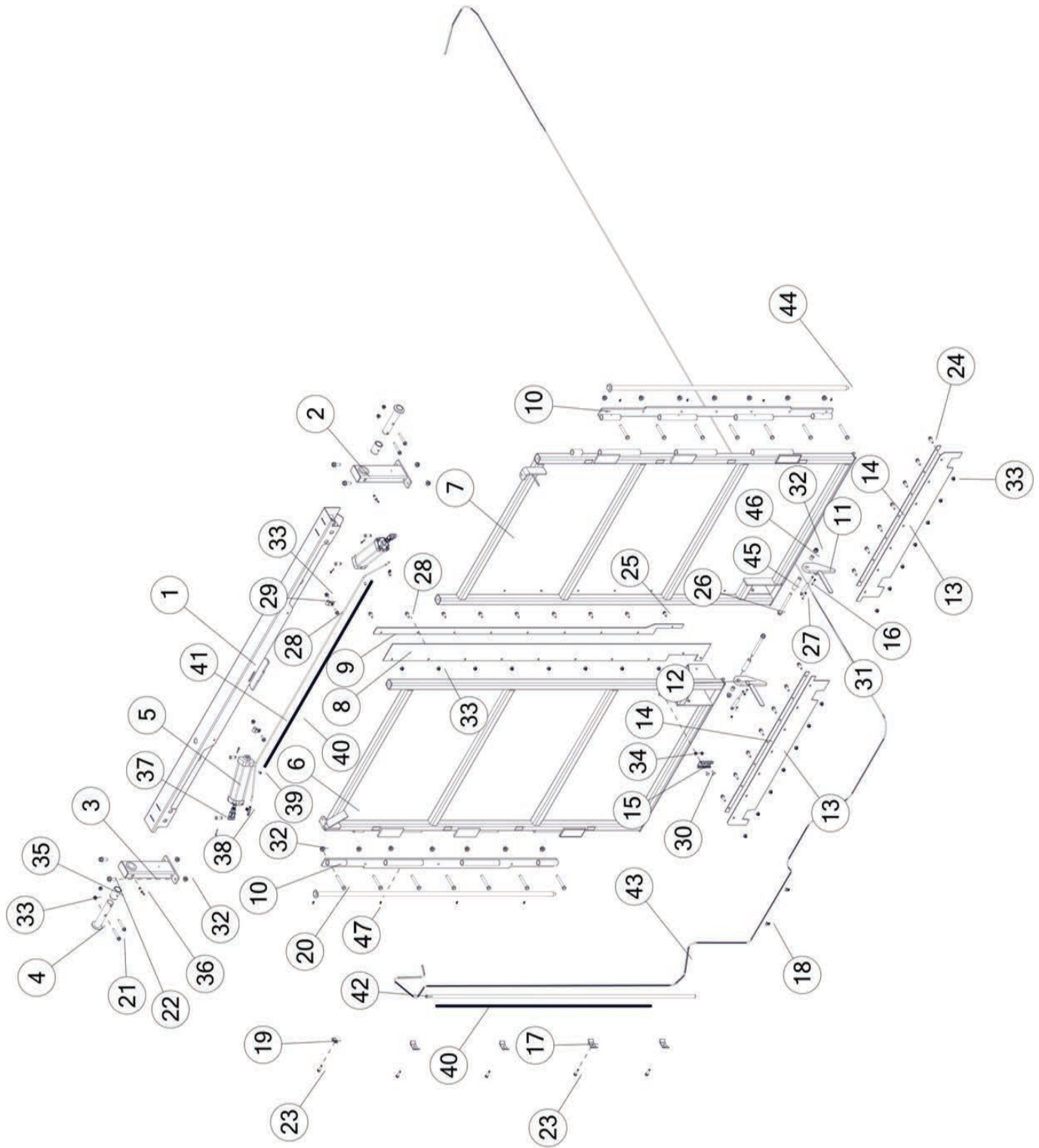


FIGURE 13

OPTIONAL WBOSBDA

| <u>ITEM</u> | <u>QTY 22'</u> | <u>QTY 24'</u> | <u>QTY 26'</u> | <u>PART#</u> | <u>DESCRIPTION</u> |
|-------------|----------------|----------------|----------------|--------------|------------------------------------|
| 1 | 1 | 1 | 1 | 90782 | TOP CHANNEL |
| 2 | 1 | 1 | 1 | BBS21 | STAKE TOP REAR |
| 3 | 1 | 1 | 1 | BBS20 | STAKE TOP REAR |
| 4 | 2 | 2 | 2 | BBS64 | DOOR HINGE PIN |
| 5 | 2 | 2 | 2 | GD49 | AIR CYLINDER, 2 1/2" X 8.00" |
| 6 | 1 | 1 | 1 | 90746 | LEFT DOOR |
| 7 | 1 | 1 | 1 | 90747 | RIGHT DOOR |
| 8 | 1 | 1 | 1 | 90767 | DOOR SEAL |
| 9 | 1 | 1 | 1 | 90770 | VERTICAL SEAL HOLDDOWN |
| 10 | 2 | 2 | 2 | 82438 | HINGE |
| 11 | 1 | 1 | 1 | 0227WE08 | LATCH RIGHT |
| 12 | 1 | 1 | 1 | 0227WE07 | LATCH LEFT |
| 13 | 2 | 2 | 2 | 90759 | DOOR BOTTOM BELTING |
| 14 | 2 | 2 | 2 | 90761 | LOWER SEAL HOLDDOWN |
| 15 | 1 | 1 | 1 | F97 | SMV BRACKET |
| 16 | 2 | 2 | 2 | SD190 | GAS STRUT |
| 17 | 4 | 4 | 4 | 23N67 | FRONT HOSE BRACKET |
| 18 | 2 | 2 | 2 | 83052 | CUSHION WIRE CLAMP 5/16 |
| 19 | 1 | 1 | 1 | HGV162 | CUSHION WIRE CLAMP 1/2 |
| 20 | 14 | 14 | 14 | YBHH16125 | BOLT HEX, 1/2 X 3-3/4 G5 |
| 21 | 4 | 4 | 4 | YBFB12300 | BOLT FLANGE, 3/8 X 3 G5 |
| 22 | 4 | 4 | 4 | YBFB16150 | BOLT FLANGE, 1/2 X 1-1/2 G5 |
| 23 | 5 | 5 | 5 | YSHW10020 | THREAD CUT SCREW, 5/16-18 X 1-1/2 |
| 24 | 14 | 14 | 14 | YBFB12125 | BOLT FLANGE, 3/8 X 1-1/4 G5 |
| 25 | 1 | 1 | 1 | YSHW10005 | HWH TCS "F", 5/16-18 X 1 |
| 26 | 2 | 2 | 2 | YBFB16600 | BOLT FLG, 1/2 X 6 G5 |
| 27 | 4 | 4 | 4 | YSPP62075 | PPHMS, #8-32 X .75 |
| 28 | 10 | 10 | 10 | YBFB12003 | BOLT FLG, 3/8 X 1 G5 |
| 29 | 2 | 2 | 2 | HGV72 | CUSHION WIRE CLAMP 3/4 |
| 30 | 2 | 2 | 2 | YBCR10030 | BOLT CARRIAGE, 5/16-18 X 3/4 G5 ZX |
| 31 | 4 | 4 | 4 | YNNY62005 | NUT HEX, #8-32 LKNY G2 ZC |
| 32 | 20 | 20 | 20 | YNFG16003 | NUT FLANGE, 1/2 GF |
| 33 | 10 | 10 | 10 | YNFG12006 | NUT FLANGE, 3/8 GF |
| 34 | 2 | 2 | 2 | YNFG10005 | NUT FLANGE, 5/16 GF |
| 35 | 1 | 1 | 1 | 56244 | BUSHING, DRIVE SHAFT |
| 36 | 2 | 2 | 2 | 16SV26 | 1/8" NPT X 2-3/32" 30 DEG ZERK |
| 37 | 2 | 2 | 2 | 56264 | CLEVIS PIN AND COTTER PIN KIT |
| 38 | 2 | 2 | 2 | GD26 | FITTING TEE, 1/4NPT |
| 39 | 2 | 2 | 2 | 0227MS05 | FITTING PLUG, 1/4NPT, ORIFICE |
| 40 | 2 | 2 | 2 | 0227MS02 | WIRE LOOM |
| 41 | 1 | 1 | 1 | 0227MS03 | CYLINDER TIE AIR LINE |
| 42 | 1 | 1 | 1 | 90783 | AIR LINE SHEILD |
| 43 | 1 | 1 | 1 | 79792 | CYLINDER SUPPLY LINE 530" (BLACK) |
| 44 | 2 | 2 | 2 | 82449 | DOOR HINGE PIN |
| 45 | 2 | 2 | 2 | 90757 | LATCH SPACER LONG |
| 46 | 2 | 2 | 2 | 90758 | LATCH SPACER SHORT |
| 47 | 10 | 10 | 10 | MS26 | STRAIGHT ZERK, 1/4 |

FIGURE 14 **OPTIONAL WBOSBDA2**

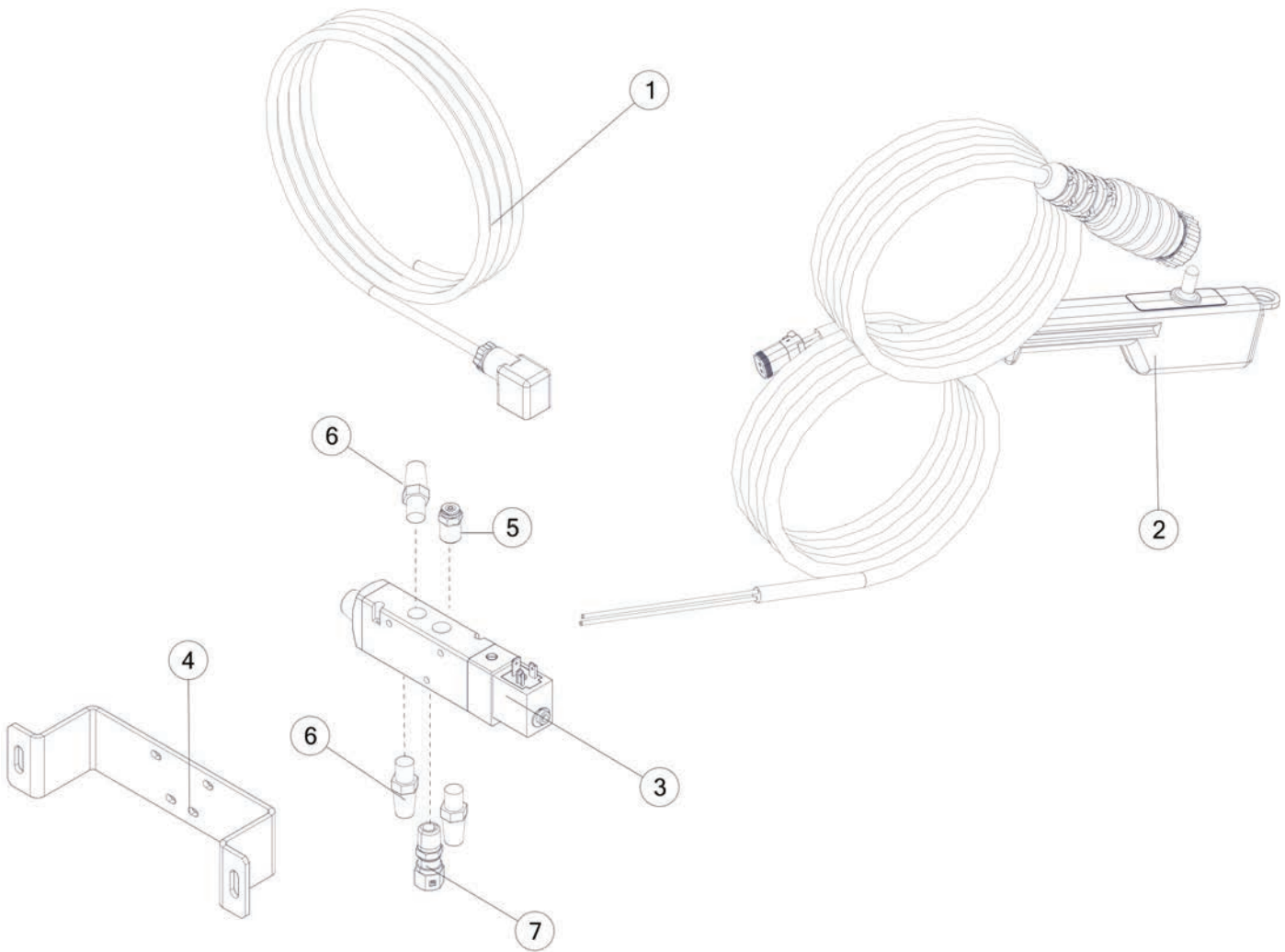


FIGURE 14
OPTIONAL WBOSBDA2

| <u>ITEM</u> | <u>QTY 22'</u> | <u>QTY 24'</u> | <u>QTY 26'</u> | <u>PART#</u> | <u>DESCRIPTION</u> |
|-------------|----------------|----------------|----------------|--------------|-----------------------------|
| 1 | 1 | 1 | 1 | 1093 | DIN CORD |
| 2 | 1 | 1 | 1 | 63361 | HAND CONTROLLER, (ON)-OFF |
| 3 | 1 | 1 | 1 | 8031 | NORGREN VALVE 4 WAY |
| 4 | 1 | 1 | 1 | 54510 | AIR VALVE MOUNTING BRACKET |
| 5 | 1 | 1 | 1 | GD6 | MALE COUPLER, 1/4 |
| 6 | 3 | 3 | 3 | GD7 | VENT PLUG, CONE SHAPED, 1/4 |
| 7 | 1 | 1 | 1 | 58651 | DOT FITTING, 1/4 X 3/8 |

FIGURE 15
OPTIONAL WBOTMK

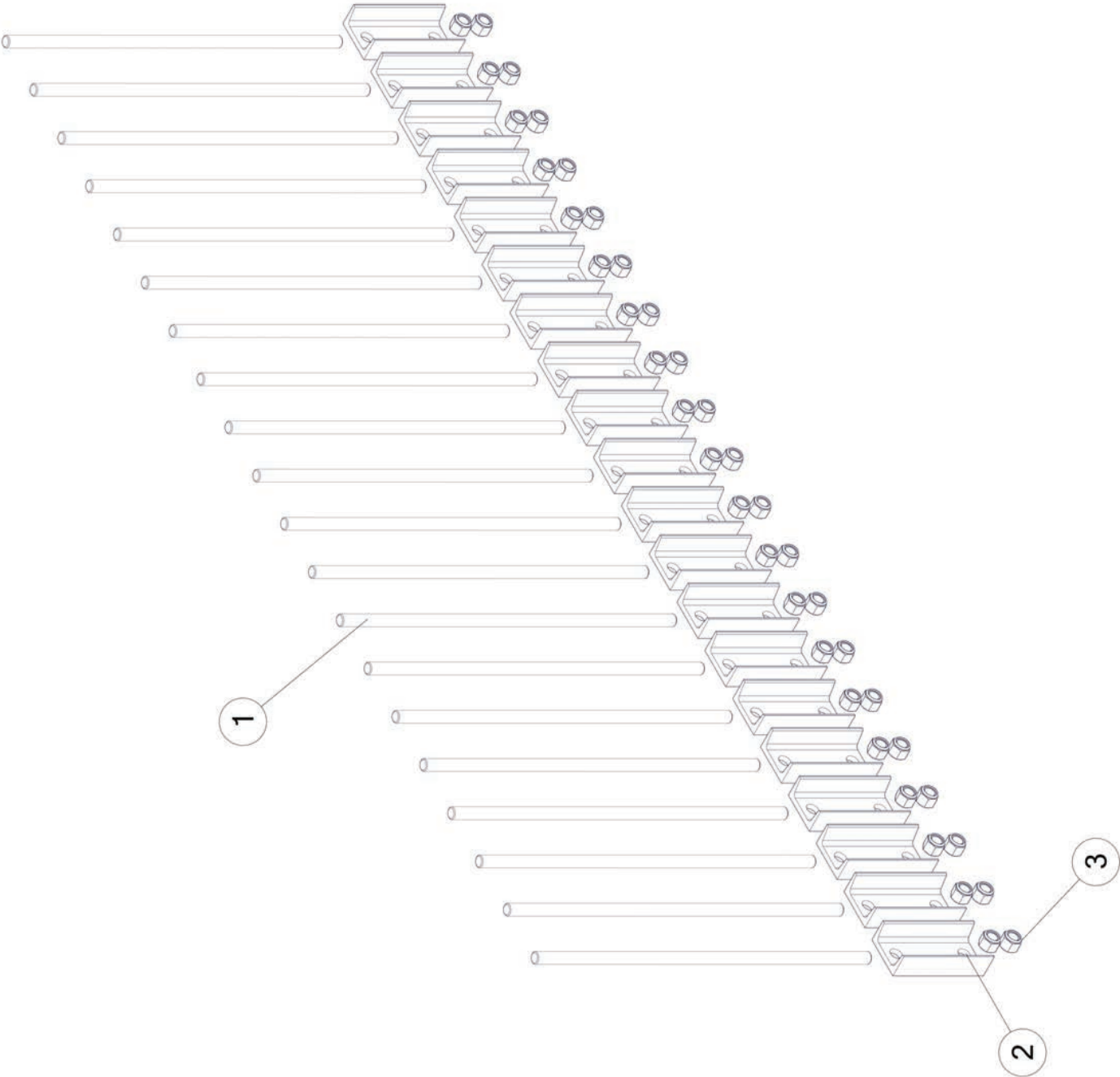


FIGURE 15
OPTIONAL WBOTMK

| <u>ITEM</u> | <u>QTY 22'</u> | <u>QTY 24'</u> | <u>QTY 26'</u> | <u>PART#</u> | <u>DESCRIPTION</u> |
|-------------|----------------|----------------|----------------|--------------|------------------------------------|
| 1 | 20 | 20 | 20 | FBC6 | SCR,ROD, 3/4-16X 24 G5 ZC |
| 2 | 20 | 20 | 20 | 69906 | CHL, C, 3 X 1.52 X 6-1/2, TIE DOWN |
| 3 | 40 | 40 | 40 | YNNY24006 | NUT HEX, 3/4-16 LKNY G2 ZC |

FIGURE 16
OPTIONAL WBOCMK

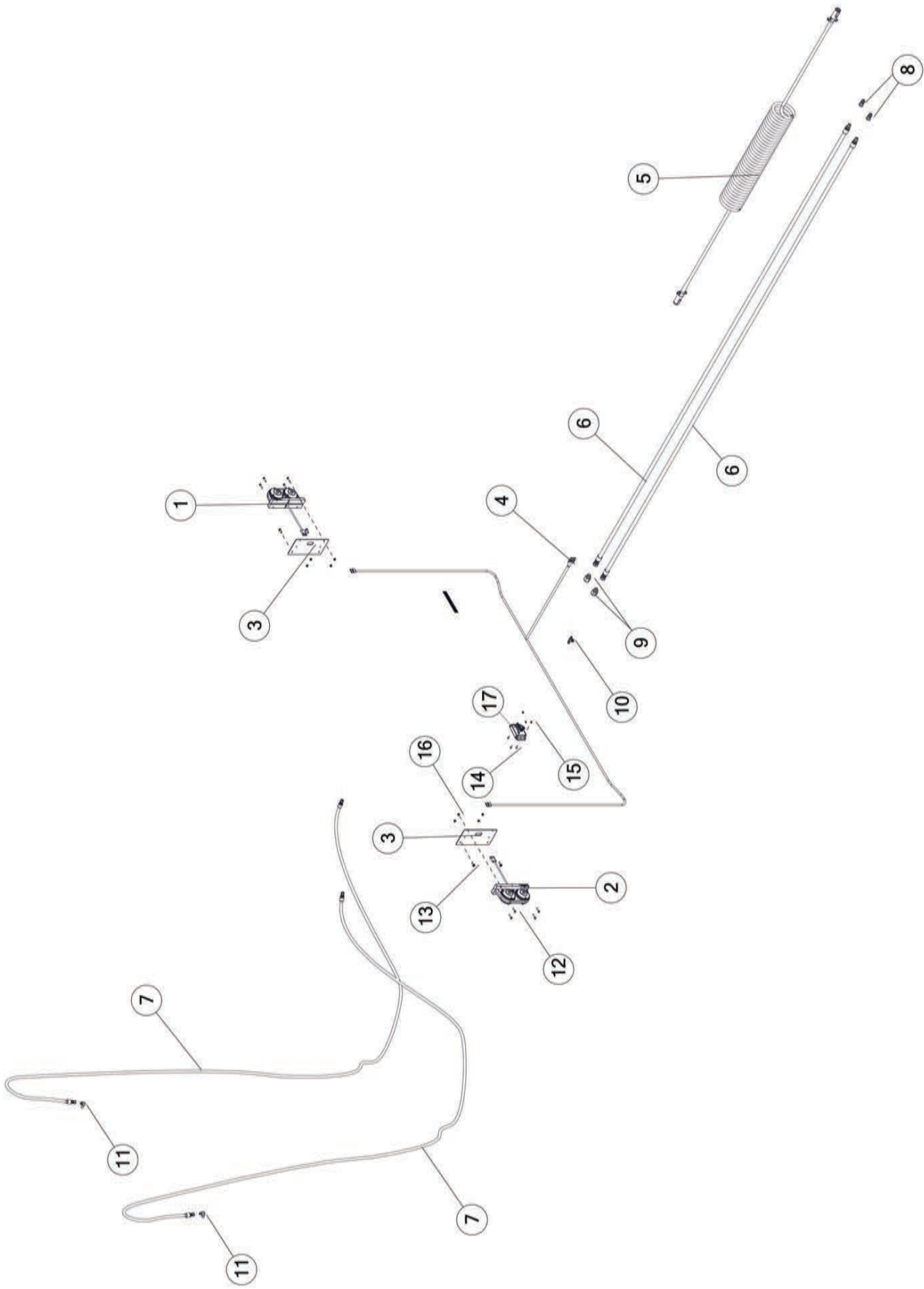


FIGURE 16

OPTIONAL WBOCMK

| <u>ITEM</u> | <u>QTY 22'</u> | <u>QTY 24'</u> | <u>QTY 26'</u> | <u>PART#</u> | <u>DESCRIPTION</u> |
|-------------|----------------|----------------|----------------|--------------|---|
| 1 | 1 | 1 | 1 | 77923 | TAIL LIGHT ASSY, LH |
| 2 | 1 | 1 | 1 | 77924 | TAIL LIGHT ASSY, RH |
| 3 | 2 | 2 | 2 | 86040 | LIGHT BRACKET, BOLT ON |
| 4 | 1 | 1 | 1 | 78360 | LIGHT HARNESS , REAR |
| 5 | 1 | 1 | 1 | TLPC7 | TRANSPORT LIGHT CORD, 7 PIN |
| 6 | 2 | 2 | 2 | 90311 | HYDRAULIC HOSE, 10, 171 |
| 7 | 2 | 2 | 2 | 90507 | HYDRAULIC HOSE, 6, 260 |
| 8 | 2 | 2 | 2 | DWM205 | VMI - MALE QUICK COUPLER S71-4P HYD TIP |
| 9 | 2 | 2 | 2 | 58055 | FITTING ST, 12JIC 12NPT |
| 10 | 1 | 1 | 1 | 58137 | FITTING T, X JIC, X JIC, X JIC, |
| 11 | 2 | 2 | 2 | CHM164 | FITTING, 90, 6JIC X 3/8NPT |
| 12 | 8 | 8 | 8 | YBHH08035 | BOLT HEX, 1/4-20 X 1-1/4 G5 |
| 13 | 2 | 2 | 2 | YSHW10005 | HWH TCS "F", 5/16-18 X 1 |
| 14 | 3 | 3 | 3 | YSPN64005 | MACHINE PPHS, #10-24 X 5/8 ZINC |
| 15 | 3 | 3 | 3 | YNNY64005 | NUT HEX, #10-24 LKNY G2 ZC |
| 16 | 8 | 8 | 8 | YNFG08010 | NUT FLANGE, 1/4 GF |
| 17 | 1 | 1 | 1 | 69908 | MODULE, CONTROL, FLASHER |

FIGURE 17 OPTIONAL WBOSBDH

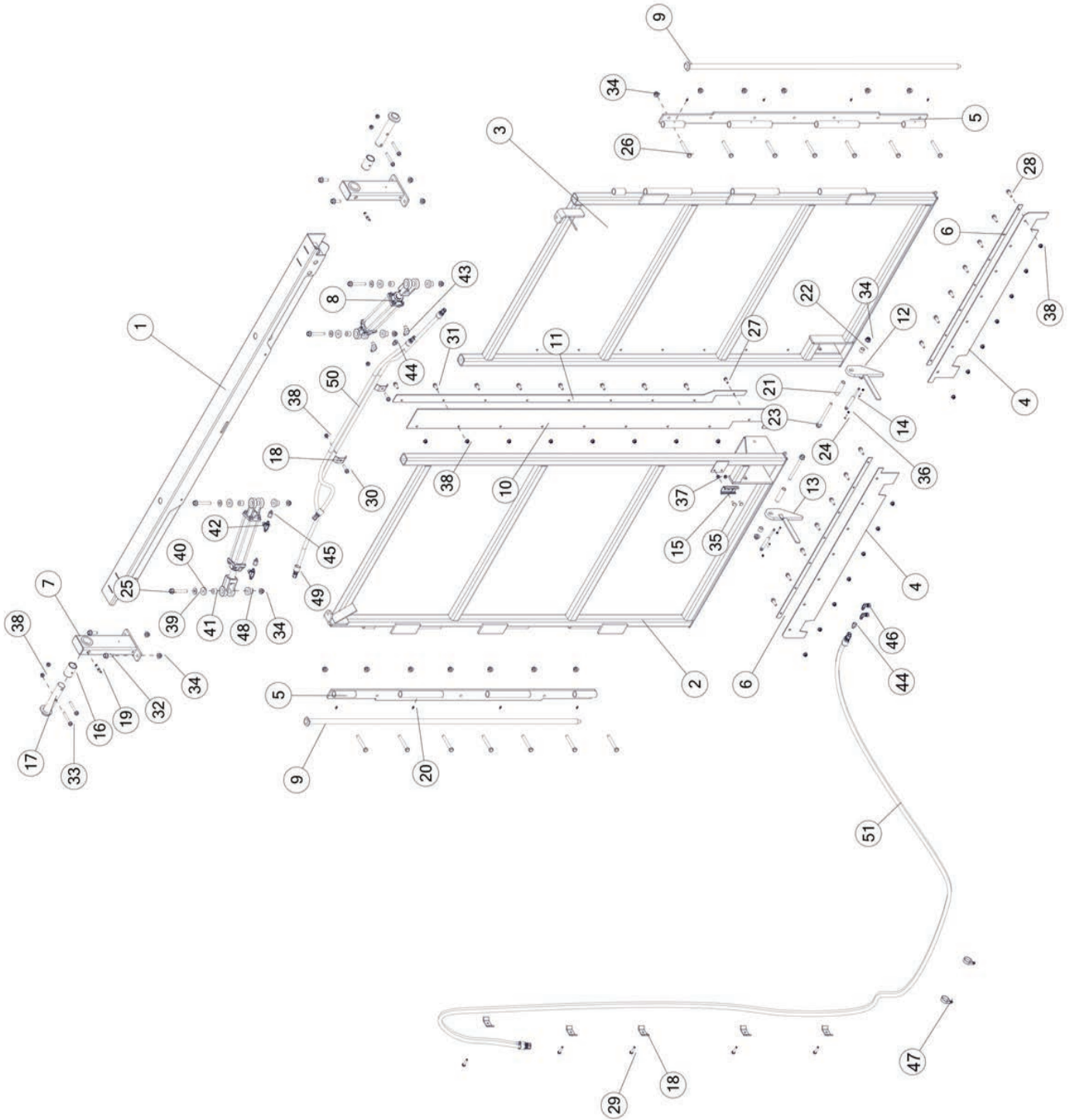


FIGURE 17

OPTIONAL WBOSBDH

| <u>ITEM</u> | <u>QTY</u> | <u>PART#</u> | <u>DESCRIPTION</u> |
|-------------|------------|--------------|------------------------------------|
| 1 | 1 | 90745 | TOP CHANNEL |
| 2 | 1 | 90746 | LEFT DOOR |
| 3 | 1 | 90747 | RIGHT DOOR |
| 4 | 2 | 90759 | DOOR BOTTOM BELTING |
| 5 | 2 | 82438 | HINGE |
| 6 | 2 | 90761 | LOWER SEAL HOLDDOWN |
| 7 | 2 | BBS21 | STAKE TOP REAR |
| 8 | 2 | 85176 | CYLINDER, 2 X 8 (3000 PSI) |
| * | 1 | 23N142A | CLEVIS CAP FOR 2" CYLINDR |
| * | 1 | 56174 | ROD CAP FOR 2" CYLINDER |
| * | 1 | BFR68 | CYLINDER TUB, 2 X 8 |
| * | 1 | 23N149 | PLUG |
| * | 4 | T186 | CYLINDER TIE ROD, 2 X 2-1/2 X 8 |
| * | 8 | YNHX12006 | NUT HEX, 3/8 NA G2 ZC |
| * | 1 | 56180 | PISTON FOR 2" CYLINDER |
| * | 1 | T184A | CYLINDER ROD |
| * | 1 | 23N150A | ROD CLEVIS |
| * | 1 | YSSO12015 | SET SCREW, SOCKET 3/8-24 X 3/8 |
| * | 1 | 23N148 | PISTON NUT |
| * | 1 | 56187 | SEAL KIT FOR 2" CYLINDER |
| 9 | 2 | 82449 | DOOR HINGE PIN |
| 10 | 1 | 90767 | DOOR SEAL |
| 11 | 1 | 90770 | VERTICAL SEAL HOLDDOWN |
| 12 | 1 | 93805 | LATCH, RH |
| 13 | 1 | 93806 | LATCH, LH |
| 14 | 2 | SD190 | GAS STRUT |
| 15 | 1 | F97 | SMV BRACKET |
| 16 | 2 | BBS39 | BRONZE BUSHING |
| 17 | 2 | BBS64 | DOOR HINGE PIN |
| 18 | 7 | 23N67 | FRONT HOSE BRACKET |
| 19 | 2 | 16SV26 | PIPE GREASE ZERK |
| 20 | 8 | MS26 | STRAIGHT STANDARD SHORT ZERK, 1/4 |
| 21 | 2 | 90757 | LATCH SPACER LONG |
| 22 | 2 | 90758 | LATCH SPACER SHORT |
| 23 | 2 | YBFB16600 | BOLT FLANGE, 1/2 X 6 G5 |
| 24 | 4 | YSPP62075 | PPHMS, #8-32 X 3/4 |
| 25 | 2 | YBFB16350 | BOLT FLANGE, 1/2 X 3-1/2 G5 |
| 26 | 14 | YBHH16125 | BOLT HEX, 1/2 X 3-3/4 G5 |
| 27 | 1 | YSHW10005 | HWH TCS "F", 5/16-18 X 1 |
| 28 | 14 | YBFB12125 | BOLT FLANGE, 3/8 X 1-1/4 G5 |
| 29 | 5 | YSHW10020 | THREAD CUTTING SCREW, 5/16 X 1-1/2 |
| 30 | 2 | YBFB12150 | BOLT FLANGE, 3/8 X 1-1/2 G5 |
| 31 | 8 | YBFB12003 | BOLT FLANGE, 3/8 X 1 G5 |
| 32 | 4 | YBFB16150 | BOLT FLANGE, 1/2 X 1-1/2 G5 |
| 33 | 4 | YBFB12300 | BOLT FLANGE, 3/8 X 3 G5 |
| 34 | 17 | YNFG16003 | NUT FLANGE, 1/2 GF |
| 35 | 2 | YBCR10030 | BOLT CARRIAGE, 5/16-18 X 3/4 G5 ZC |

FIGURE 17 OPTIONAL WBOSBDH

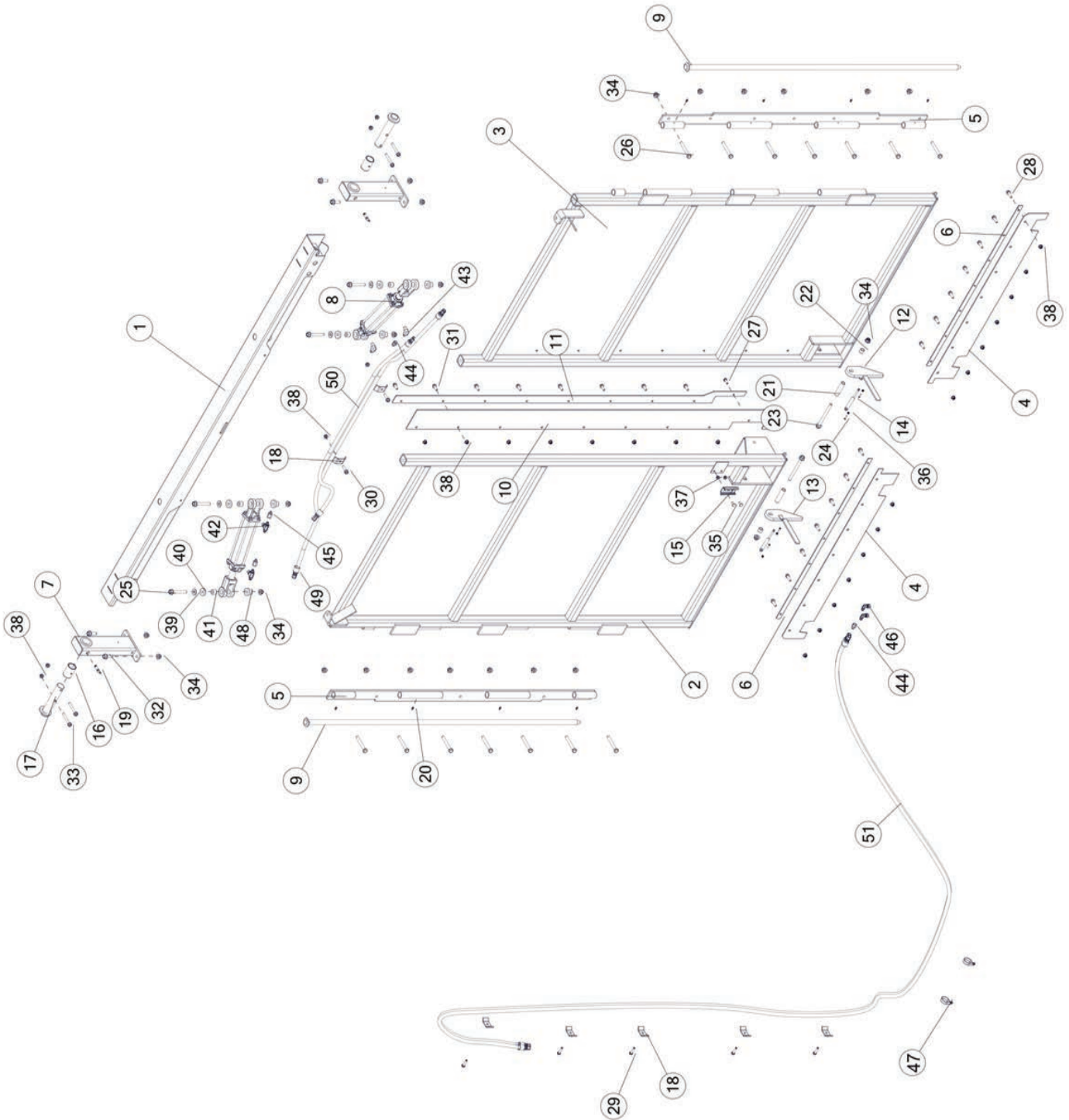


FIGURE 17
OPTIONAL WBOSBDH

| <u>ITEM</u> | <u>QTY</u> | <u>PART#</u> | <u>DESCRIPTION</u> |
|--------------------|-------------------|---------------------|-----------------------------------|
| 36 | 4 | YNNY62005 | NUT HEX, #8-32 LKNY G2 ZC |
| 37 | 2 | YNFG10005 | NUT FLANGE, 5/16 GF |
| 38 | 10 | YNFG12006 | NUT FLANGE, 3/8 GF |
| 39 | 4 | YWFL16005 | WASHER, FLAT 1/2 USS |
| 40 | 4 | 84589 | CYLINDER SPACER |
| 41 | 4 | BFR282 | BELL CRANK BUSHING |
| 42 | 2 | 90777 | FITTING T, 6JIC, 6JIC, 3/8NPT |
| 43 | 2 | CHM164 | FITTING, 90, 6JIC X 3/8NPT |
| 44 | 2 | 58143 | FITTING, 06-06 M/F ORIFICE, 0.047 |
| 45 | 1 | 90780 | FITTING, STRAIGHT, 6JIC X 4JIC |
| 46 | 1 | 58127 | FITTING 90, 3/8 JIC, 3/8 JIC |
| 47 | 2 | 1016 | CUSHION WIRE CLAMP 1-1/2 |
| 48 | 4 | 82809 | BUSHING, HYDRAULIC BARN DOOR |
| 49 | 1 | 90817 | HYDRAULIC HOSE, 6, 80 |
| 50 | 1 | 90818 | HYDRAULIC HOSE, 6, 58 |
| 51 | 2 | 90507 | HYDRAULIC HOSE, 6, 260 |

PARTS NOTES

CHANGE NOTES

H&S MFG. CO.
products approved
for the
FEMA
SEAL OF QUALITY



Manufactured by:
H&S MANUFACTURING CO., INC.
2608 S. HUME AVE. MARSHFIELD, WI 54449
(715) 387-3414 | hsmfgco.com

