



WB8222
WB8224
WB8226
FORAGE BOX
PARTS BOOK

Part #90795

HSMFG010422

Rev. #00

WB8222 Starting Ser. #

WB8224 Starting Ser. #222WB24001

WB8226 Starting Ser. #122WB26001

STRONG HERITAGE - STRONG PEOPLE - STRONGER FUTURE

TABLE OF CONTENTS

Instructions for Ordering Parts	1
Figure 1 - Side Stakes & Components	2-3
Figure 2 - Side Panels	4-5
Figure 3 - Top Rails & Screens, LH	6-7
Figure 4 - Top Rails & Screens, RH	8-9
Figure 5 - Floor & Components	10-11
Figure 6 - Front Panels & Components	12-13
Figure 7 - Idler Shaft & Components	14-15
Figure 8 - Drive Shaft & Components	16-19
Figure 9 - Apron Chain	20-21
Figure 10 - Hydraulics	22-23
Figure 11 - Lights	24-25
Figure 12 - Optional WBOTPD	26-27
Figure 13 - Optional WBOSBDA	28-29
Figure 14 - Optional WBOSBDA2	30-31
Figure 15 - Optional WBOTMK	32-33
Figure 16 - Optional WBOCMK	34-35
Figure 17 - Optional WBOSBDH	36-39
Parts Notes	40

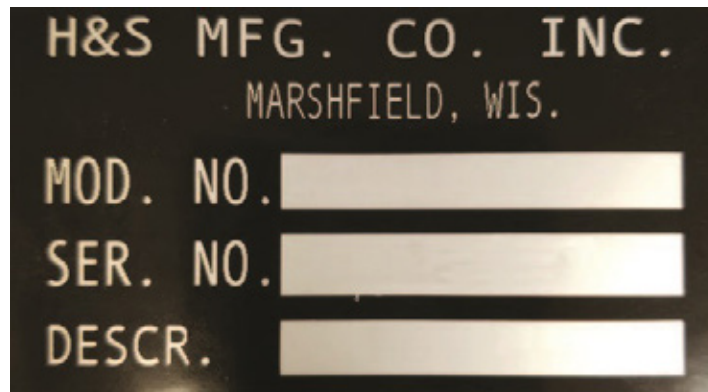
INSTRUCTIONS FOR ORDERING PARTS

All service parts should be ordered through your authorized H&S dealer. Your Dealership will be able to give you faster service if you will provide them with the following:

1. Model & Serial Number - Both can be located on the left rear side panel.
2. All references to left or right apply to the machine as viewed from the rear.
3. Parts should not be ordered from illustration only. Please order complete part number.
4. If your dealer has to order parts - give shipping instructions:

VIA truck - large pieces (please specify local truck lines)

VIA United Parcel Service (include full address)



PLEASE RECORD NUMBERS FOR YOUR UNIT FOR QUICK REFERENCE

ABOUT IMPROVEMENTS

H&S IS CONTINUALLY STRIVING TO IMPROVE ITS PRODUCTS

We must, therefore, reserve the right to make improvements or changes whenever it becomes practical to do so, without incurring any obligation to make changes or additions to the equipment previously sold.

FIGURE 1 SIDE STAKES & COMPONENTS

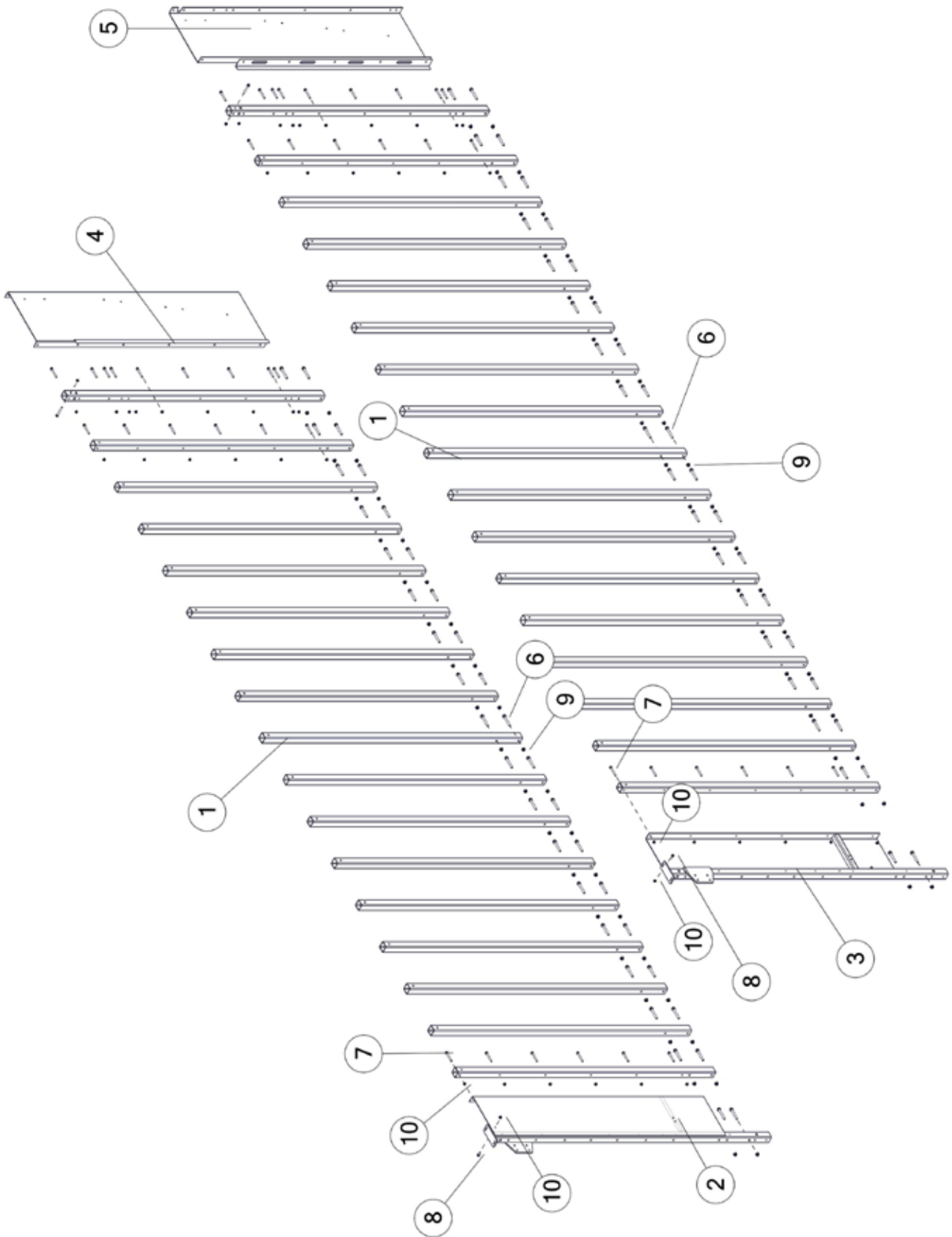


FIGURE 1

SIDE STAKES & COMPONENTS

<u>ITEM</u>	<u>QTY 22'</u>	<u>QTY 24'</u>	<u>QTY 26'</u>	<u>PART#</u>	<u>DESCRIPTION</u>
1	22	26	34	IFB124	SIDE STAKE
2	1	1	1	90083	REAR SIDE PANEL, LH
3	1	1	1	90084	REAR SIDE PANEL, RH
4	1	-	-	90880	PANEL, FRONT LH
4	-	1	-	90835	FRONT SIDE PANEL, LH
4	-	-	1	90509	PANEL, FRONT LH
5	1	-	-	90879	PANEL, FRONT RH
5	-	1	-	90833	FRONT SIDE PANEL, RH
5	-	-	1	90510	PANEL, FRONT RH
6	52	62	72	YBFB16400	BOLT FLANGE, 1/2 X 4 G5
7	44	44	44	YBFB12350	BOLT FLANGE, 3/8 X 3-1/2 G5
8	4	4	4	YBFB12003	BOLT FLANGE, 3/8 X 1 G5
9	52	62	72	YNFG16003	NUT FLANGE, 1/2 GF
10	48	48	48	YNFG12006	NUT FLANGE, 3/8 GF

FIGURE 2
SIDE PANELS

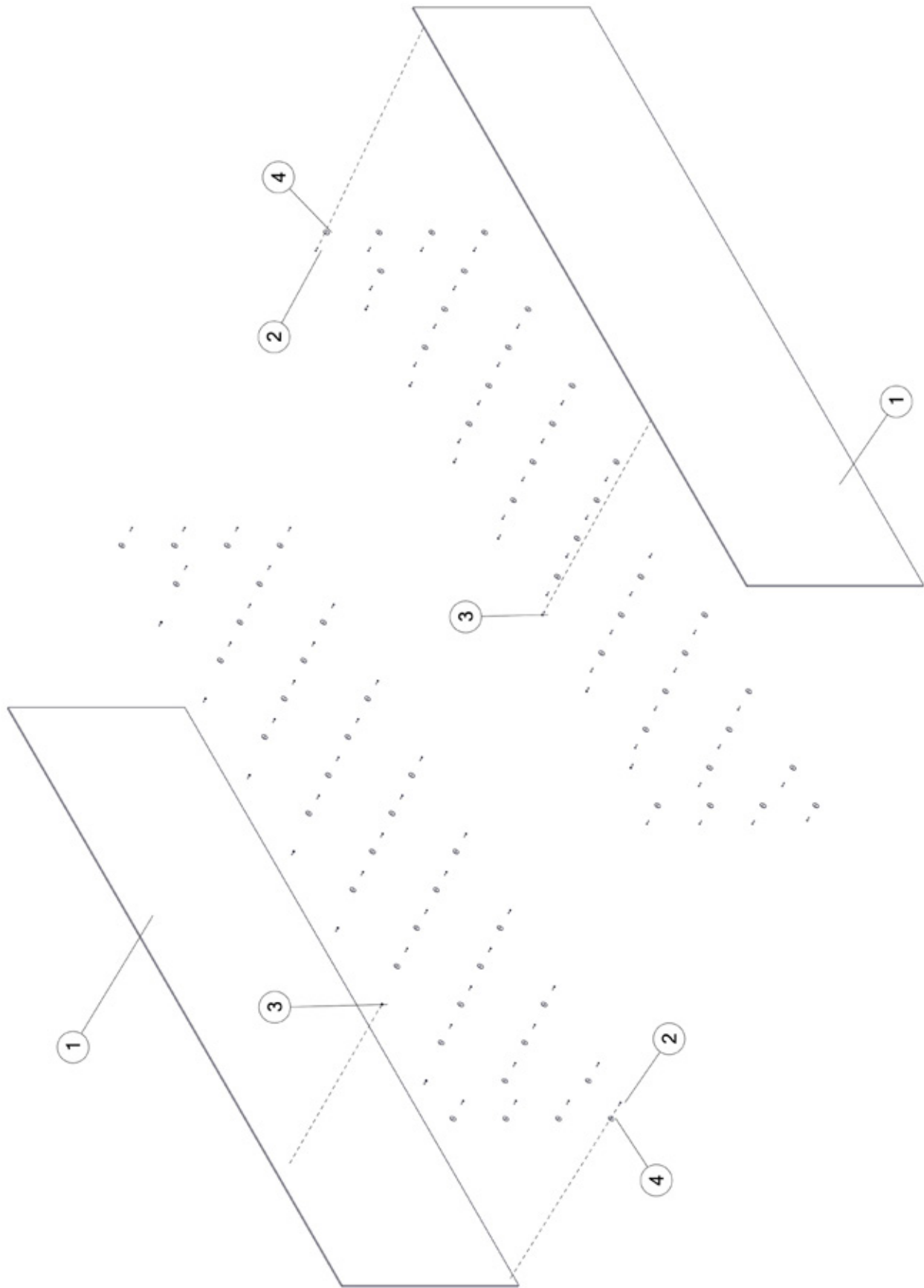


FIGURE 2 **SIDE PANELS**

<u>ITEM</u>	<u>QTY 22'</u>	<u>QTY 24'</u>	<u>QTY 26'</u>	<u>PART#</u>	<u>DESCRIPTION</u>
1	2	-	-	90876	FRP PANEL, SIDE 22 FEET
1	-	2	-	90828	FRP PANEL, SIDE 24 FEET
1	-	-	2	90075	FRP PANEL, SIDE 26 FEET
2	60	68	70	YSDR08020	SELF DRILL SCREW, HEX, 1/4-14 X 1-1/2
3	12	14	14	YSHW10020	THREAD CUTTING SCREW, 5/16-18 X 1-1/2
4	60	68	70	YWCU99005	WASHER, CUSTOM, FENDER 3/8 X 2 OD

FIGURE 3
TOP RAILS & SCREENS, LH

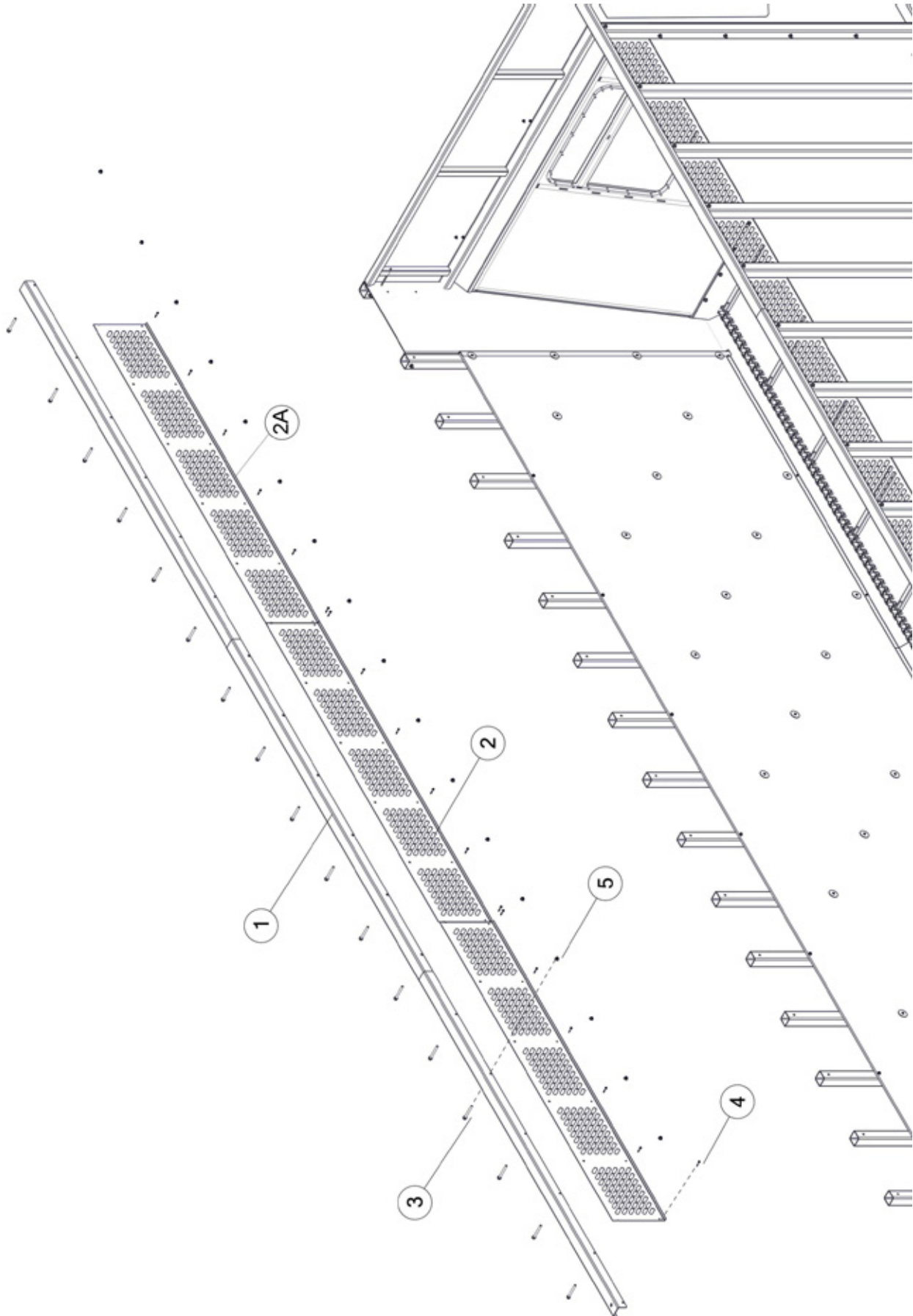


FIGURE 3
TOP RAILS & SCREENS, LH

<u>ITEM</u>	<u>QTY 22'</u>	<u>QTY 24'</u>	<u>QTY 26'</u>	<u>PART#</u>	<u>DESCRIPTION</u>
1	1	-	-	90882	TOP RAIL, LH
1	-	1	-	90850	TOP RAIL, LH
1	-	-	1	90155	TOP RAIL, LH
2A	3	1	-	90839	TOP SCREEN, 4 PANEL, LH
2	-	2	3	89463	TOP SCREEN, 5 PANEL, LH
3	13	15	17	YBFB12350	BOLT FLANGE, 3/8 X 3-1/2 G5
4	15	17	18	YSDR66008	SELF DRILL SCREW, HEX, #12-14 X 1-1/4
5	13	15	17	YNFG12006	NUT FLANGE, 3/8 GF

FIGURE 4
TOP RAILS & SCREENS, RH

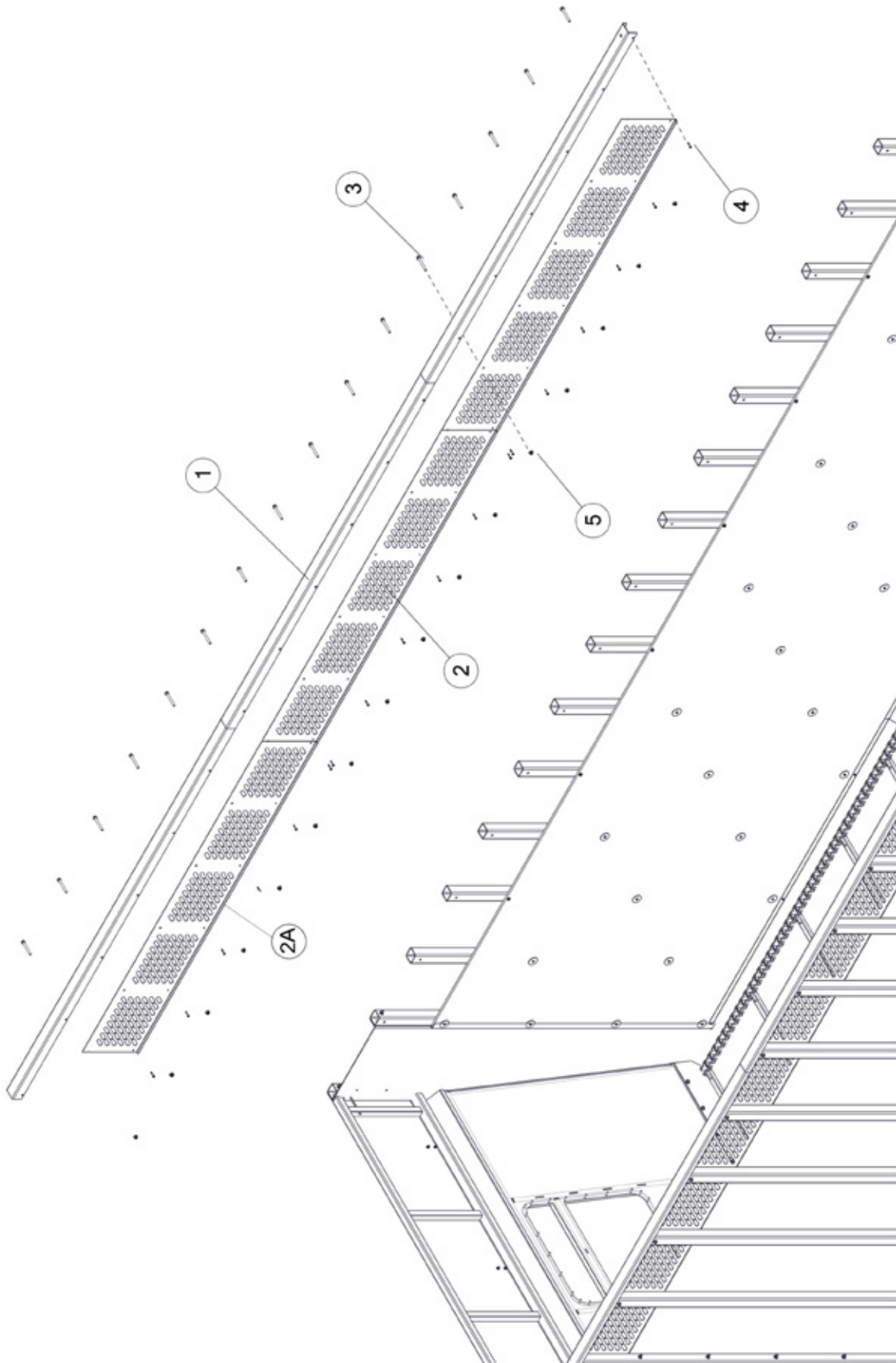


FIGURE 4
TOP RAILS & SCREENS, RH

<u>ITEM</u>	<u>QTY 22'</u>	<u>QTY 24'</u>	<u>QTY 26'</u>	<u>PART#</u>	<u>DESCRIPTION</u>
1	1	-	-	90884	TOP RAIL, RH
1	-	1	-	90848	TOP RAIL, RH
1	-	-	1	90151	TOP RAIL, RH
2A	3	1	-	90838	TOP SCREEN, 4 PANEL, RH
2	-	2	3	90449	TOP SCREEN, 5 PANEL, RH
3	13	15	17	YBFB12350	BOLT FLANGE, 3/8 X 3-1/2 G5
4	15	17	18	YSDR66008	SELF DRILL SCREW, HEX, #12-14 X 1-1/4
5	13	15	17	YNFG12006	NUT FLANGE, 3/8 GF

FIGURE 5
FLOOR & COMPONENTS

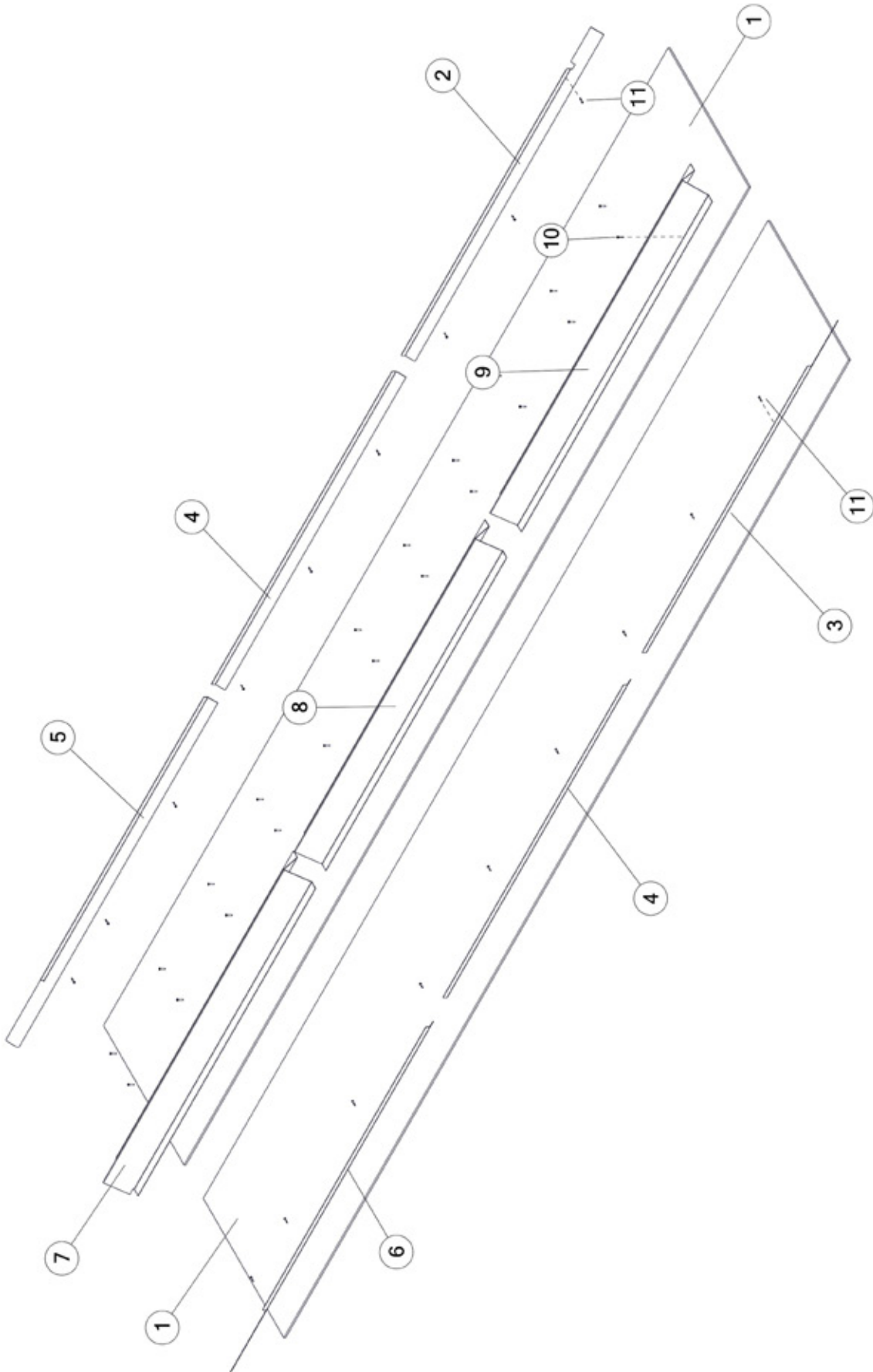


FIGURE 5

FLOOR & COMPONENTS

<u>ITEM</u>	<u>QTY 22'</u>	<u>QTY 24'</u>	<u>QTY 26'</u>	<u>PART#</u>	<u>DESCRIPTION</u>
1	2	-	-	85432	POLY FLOOR PANEL
1	-	2	-	85399	POLY FLOOR PANEL
1	-	-	2	85400	POLY FLOOR PANEL
2	1	-	-	90887	STEEL PANEL SLANT, FRONT LH
2	-	1	-	90841	FRONT FLOOR HOLDDOWN, LH
2	-	-	1	90144	STEEL PANEL SLANT, FRONT LH
3	1	-	-	90886	STEEL PANEL SLANT, FRONT RH
3	-	1	-	90840	FRONT FLOOR HOLDDOWN, RH
3	-	-	1	90142	STEEL PANEL SLANT, FRONT RH
4	2	2	2	90129	STEEL PANEL SLANT, CENTER
5	1	1	1	90147	REAR FLOOR HOLDDOWN, LH
6	1	1	1	90148	REAR FLOOR HOLDDOWN, RH
7	1	1	1	87583	FLOOR RIDGE, BACK CENTER
8	1	-	-	90335	FLOOR RIDGE, CENTER
8	-	1	1	87562	FLOOR RIDGE, CENTER
9	1	1	1	90078	FLOOR RIDGE, FRONT
10	22	24	22	YSDR08020	SELF DRILL SCREW, HEX, 1/4-14 X 1-1/2
11	16	18	16	YSDR66008	SELF DRILL SCREW, HEX, #12-14 X 1-1/4

FIGURE 6 **FRONT PANELS & COMPONENTS**

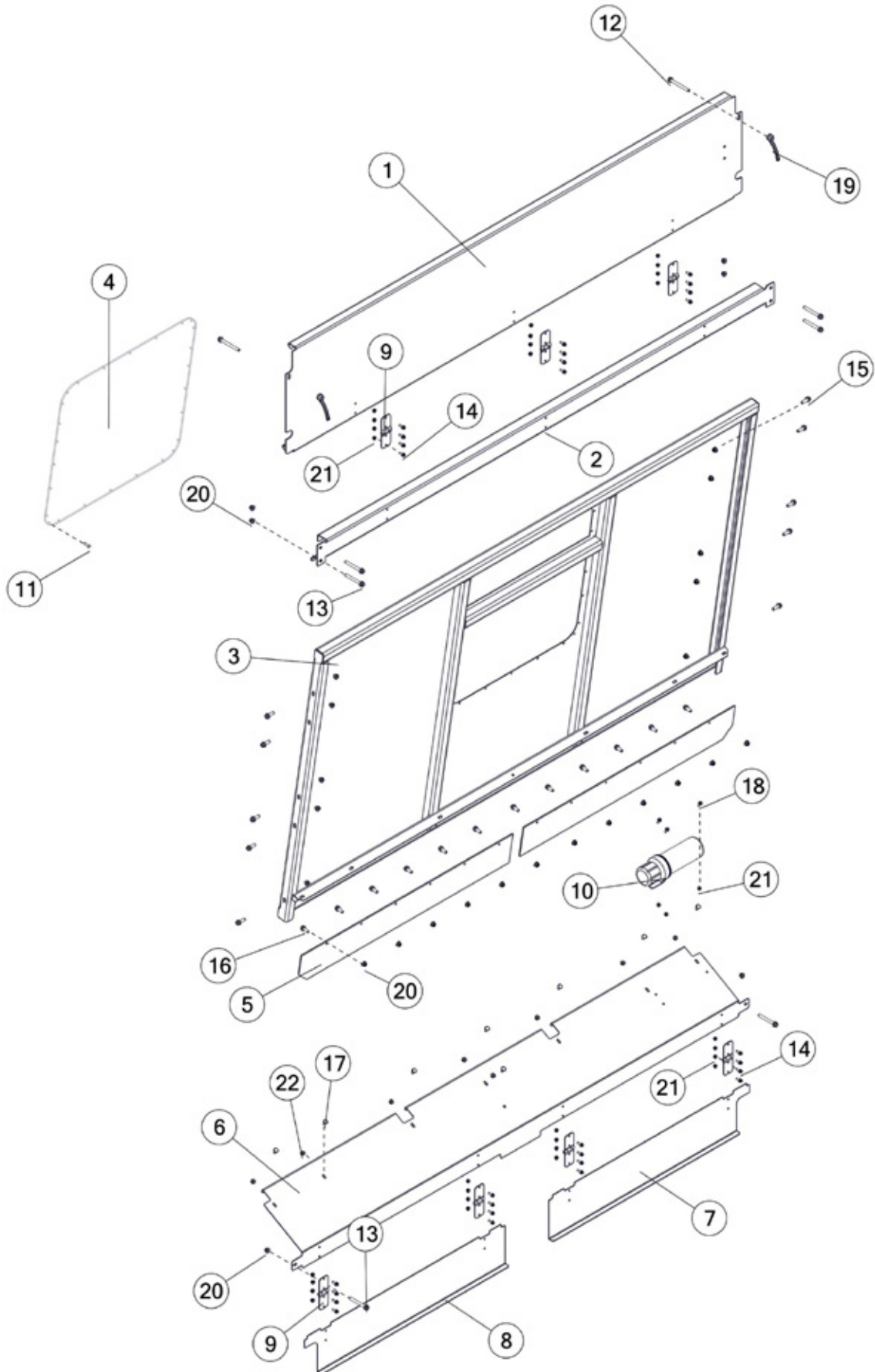


FIGURE 6

FRONT PANELS & COMPONENTS

<u>ITEM</u>	<u>QTY 22'</u>	<u>QTY 24'</u>	<u>QTY 26'</u>	<u>PART#</u>	<u>DESCRIPTION</u>
1	1	1	1	90027	FOLD DOWN, FRONT
2	1	1	1	90025	PANEL, FRONT UPPER
3	1	1	1	89302	FRONT PANEL
4	1	1	1	88713	LARGE WINDOW WITH HOLES
5	1	1	1	79237	FRONT RUBBER
6	1	1	1	89301	FRONT SHIELD TOP
7	1	1	1	90041	FRONT SHIELD, LH
8	1	1	1	90030	FRONT SHIELD, RH
9	7	7	7	82134	HINGE
10	1	1	1	S522	MANUAL HOLDER
11	26	26	26	1043	HUCK RIVET .375 GRIP ~ MGLP-U8-6
12	2	2	2	YBFB12400	BOLT FLANGE, 3/8 X 4 G5
13	4	4	4	YBFB12350	BOLT FLANGE, 3/8 X 3-1/2 G5
14	28	28	28	YBFB08075	BOLT FLANGE, 1/4 X 3/4 G5
15	10	10	10	YBFB12125	BOLT FLANGE, 3/8 X 1-1/4 G5
16	12	12	12	YBFB12003	BOLT FLANGE, 3/8 X 1 G5
17	7	7	7	YBCR10030	BOLT CARRIAGE, 5/16-18 X 3/4 G5 ZC
18	3	3	3	YBFB08075	BOLT FLANGE, 1/4 X 3/4 G5
19	2	2	2	S192	HANDLE NUT
20	28	28	28	YNFG12006	NUT FLANGE, 3/8 GF
21	31	31	31	YNFG08010	NUT FLANGE, 1/4 GF
22	7	7	7	YNFG10005	NUT FLANGE, 5/16 GF

FIGURE 7 **IDLER SHAFT & COMPONENTS**

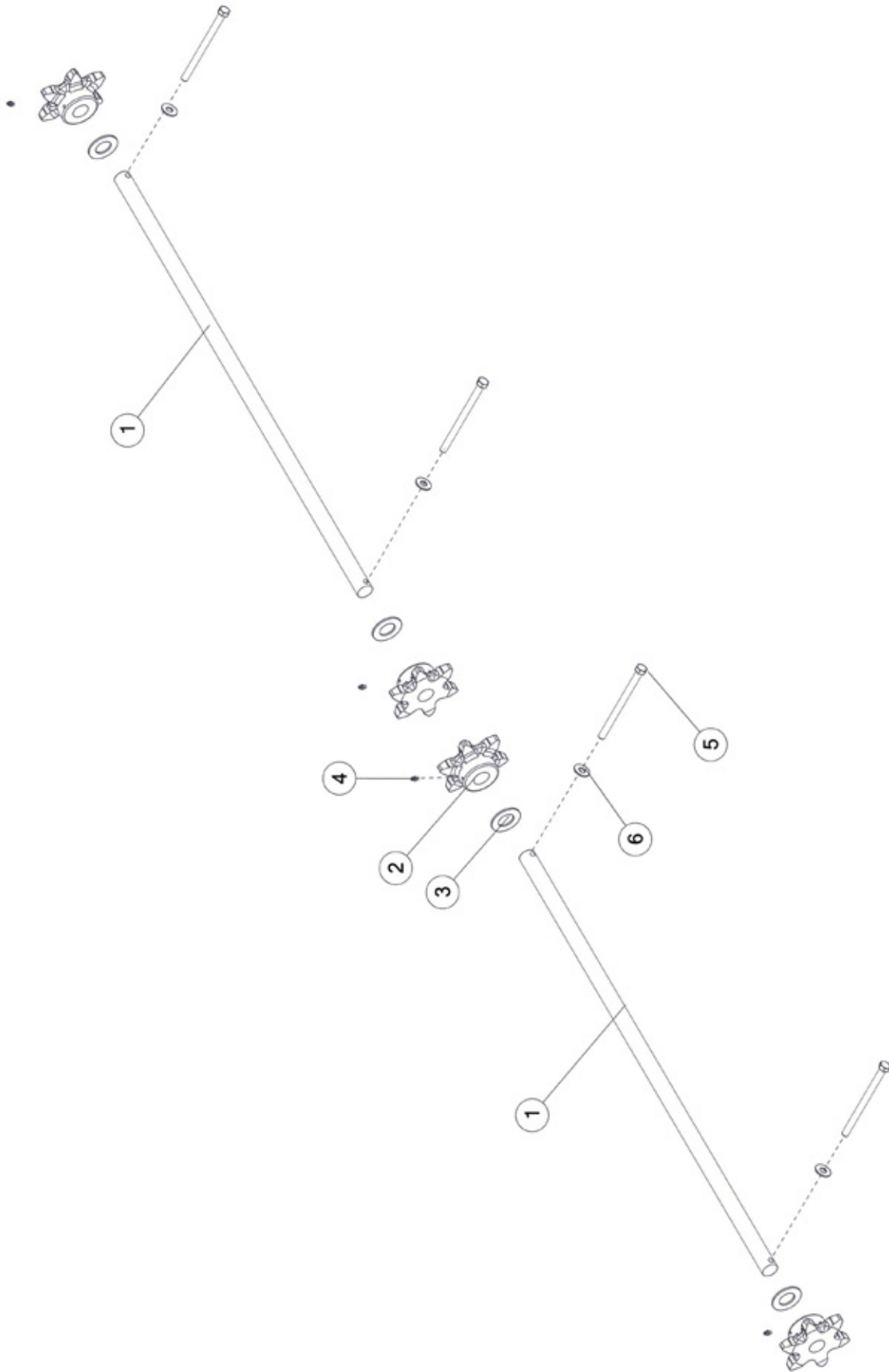


FIGURE 7
IDLER SHAFT & COMPONENTS

<u>ITEM</u>	<u>QTY 22'</u>	<u>QTY 24'</u>	<u>QTY 26'</u>	<u>PART#</u>	<u>DESCRIPTION</u>
1	2	2	2	S63	IDLER SHAFT
2	4	4	4	JB10	IDLER SHAFT SPROCKET
3	4	4	4	S61	IDLER SHAFT SPACER
4	4	4	4	G89	STRAIGHT ZERK, 1/4-28
5	4	4	4	YBHH16181	BOLT HEX, 1/2 X 7 G5 FULL THREAD
6	4	4	4	YWFL16005	WASHER, FLAT 1/2 USS

FIGURE 8 DRIVE SHAFT & COMPONENTS

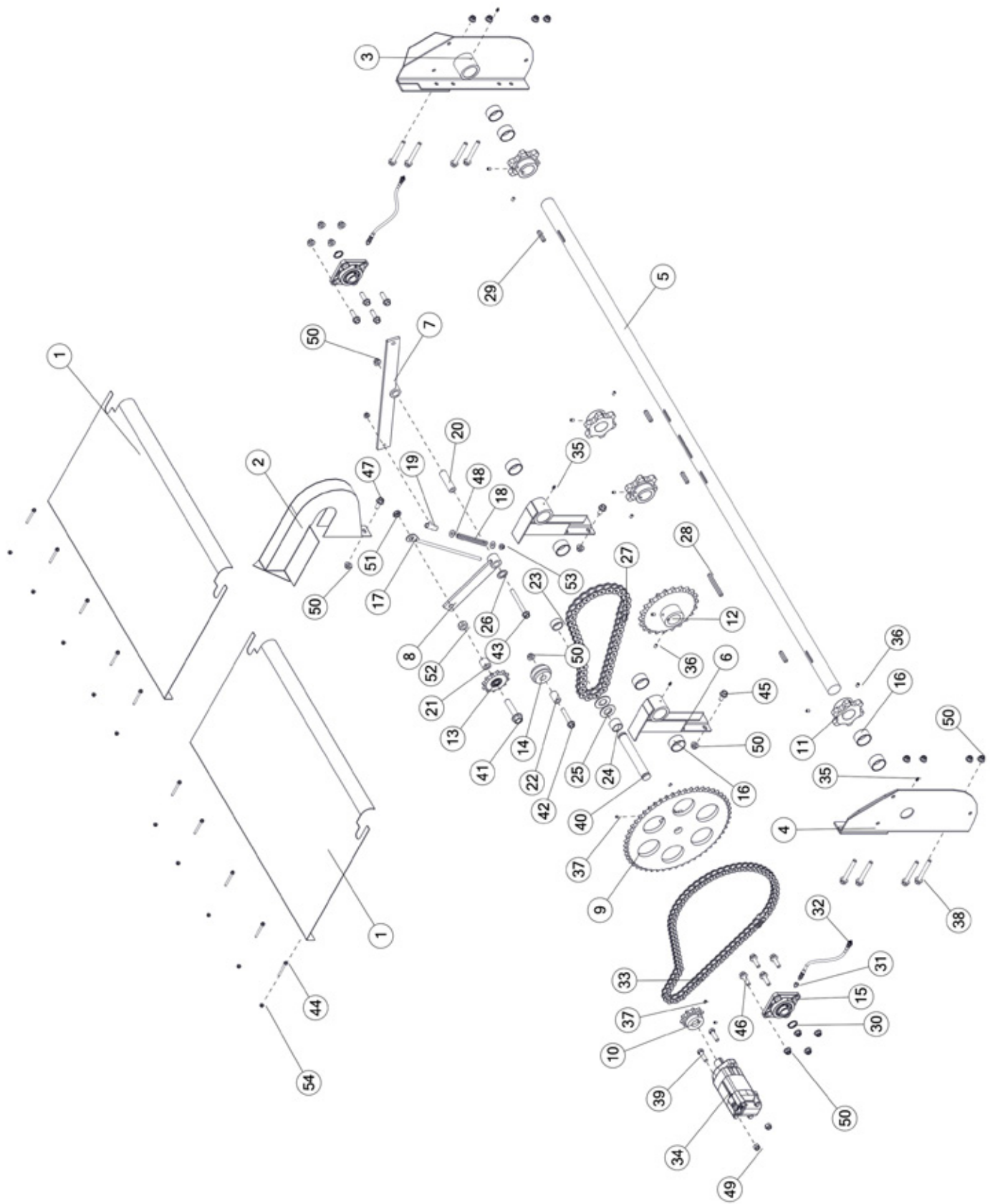


FIGURE 8

DRIVE SHAFT & COMPONENTS

<u>ITEM</u>	<u>QTY 22'</u>	<u>QTY 24'</u>	<u>QTY 26'</u>	<u>PART#</u>	<u>DESCRIPTION</u>
1	2	2	2	90541	DRIVE SHAFT COVER
2	1	1	1	90434	CENTER DRIVE SHIELD
3	1	1	1	89872	DRIVE SHAFT MOUNT RH
4	1	1	1	89962	DRIVE SHAFT MOUNT LH
5	1	1	1	89826	DRIVE SHAFT
6	2	2	2	89832	SUPPORT, DRIVESHAFT
7	1	1	1	IFB11	LONG TIGHTENER
8	1	1	1	IFB10	SHORT TIGHTENER
9	1	1	1	IFB148	SHORT IDLER SPROCKET
10	1	1	1	IFB4	SPROCKET, 80B10, 1.251 ID
11	4	4	4	72669	STEEL SPROCKET, 6T
12	1	1	1	89831	SPROCKET, 22
13	1	1	1	12V77	TIGHTENER SPROCKET
14	1	1	1	IFB14	CHAIN TIGHTENER ROLLER
15	2	2	2	45N67	BEARING WITH HOLDER
16	8	8	8	72652	BRONZE BUSHING
17	1	1	1	IFB5	TIGHTENER ROD
18	1	1	1	23N211	SPRING
19	1	1	1	23N206	CLUTCH ROD HOLDER
20	1	1	1	IFB12	POLY CHAIN TIGHTENER AXLE
21	1	1	1	IFB9	PRIMARY DRIVE SPACER
22	1	1	1	IFB13	POLY CHAIN TIGHTENER AXLE
23	1	1	1	R15	FRONT SHAFT SPACER
24	1	1	1	R57	2ND BEATER SPACER
25	2	2	2	S61	IDLER SHAFT SPACER
26	1	1	1	S345	PULLEY SPACER
27	1	1	1	IFB129	CHAIN #100 X 44 HEAVY
28	1	1	1	PB133	SQUARE KEY, 3/8 X 4-3/8
29	4	4	4	PB87	SQUARE KEY, 3/8 X 2
30	2	2	2	F73	SNAP RING, 1-1/4
31	2	2	2	TS323	FITTING STRAIGHT, 1/4-28, 1/8-27NPT
32	2	2	2	90769	HYD HOSE, 2, 14
33	1	1	1	16SV330	ROLLER CHAIN, 80HE X 68
34	1	1	1	16SV150	HYD MOTOR
35	4	4	4	G89	STRAIGHT ZERK, 1/4-28
36	10	10	10	YSSO12005	SET SCREW, SOCKET, 3/8-16 X 1/2
37	4	4	4	YSKP10010	SET SCREW, SKT, KNURLED, 5/16 - 18 X 3/8
38	8	8	8	YBFB16400	BOLT FLANGE, 1/2 X 4 G5
39	2	2	2	YBHH16055	BOLT HEX, 1/2-13 X 1-3/4 G5

FIGURE 8 DRIVE SHAFT & COMPONENTS

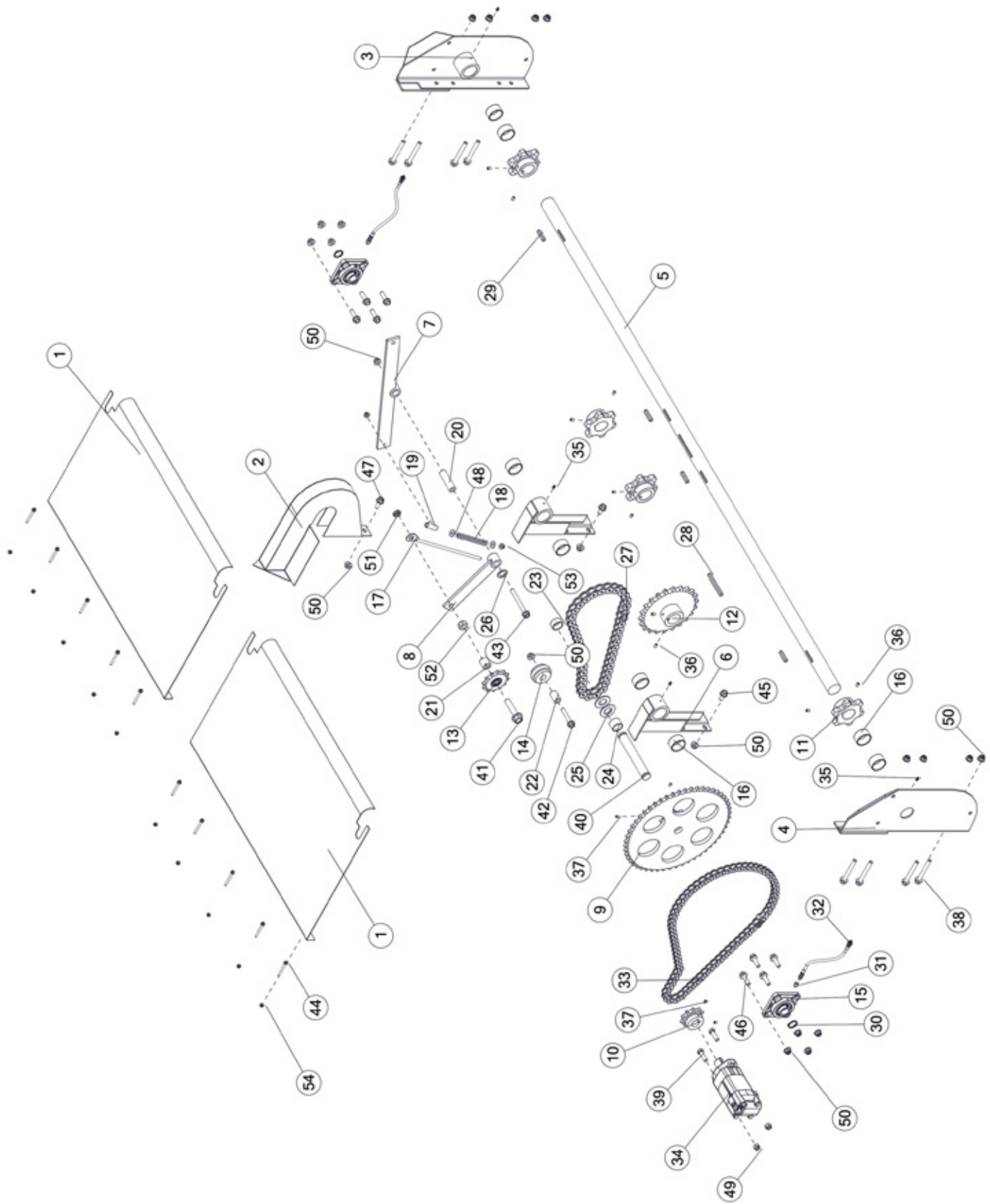


FIGURE 8

DRIVE SHAFT & COMPONENTS

<u>ITEM</u>	<u>QTY 22'</u>	<u>QTY 24'</u>	<u>QTY 26'</u>	<u>PART#</u>	<u>DESCRIPTION</u>
40	1	1	1	IFB136	IDLER SHAFT
41	1	1	1	YBFB24350	BOLT FLANGE, 3/4 X 3-1/2 G5
42	1	1	1	YBFB16300	BOLT FLANGE, 1/2 X 3 G5
43	1	1	1	YBFB16500	BOLT FLANGE, 1/2 X 5 G5
44	10	10	10	YBFB08250	BOLT FLANGE, 1/4 X 2-1/2 G5
45	2	2	2	YBFB16100	BOLT FLANGE, 1/2 X 1 G5
46	8	8	8	YBFB16175	BOLT FLANGE, 1/2 X 1-3/4 G5
47	1	1	1	YBFB16125	BOLT FLANGE, 1/2 X 1-1/4 G5
48	2	2	2	YWFL12005	WASHER FLAT, 3/8 USS
49	2	2	2	YNNY16005	NUT HEX, 1/2-13 LKNY G2 ZC
50	9	9	9	YNFG16003	NUT FLANGE, 1/2 GF
51	1	1	1	YNNJ24005	NUT JAM, 3/4-10 LKNY G2 ZC
52	1	1	1	YNHX24004	NUT HEX, 3/4-10 NA G5 ZC
53	1	1	1	YNFG12006	NUT FLANGE, 3/8 GF
54	10	10	10	YNFG08010	NUT FLANGE, 1/4 GF

FIGURE 9 APRON CHAIN

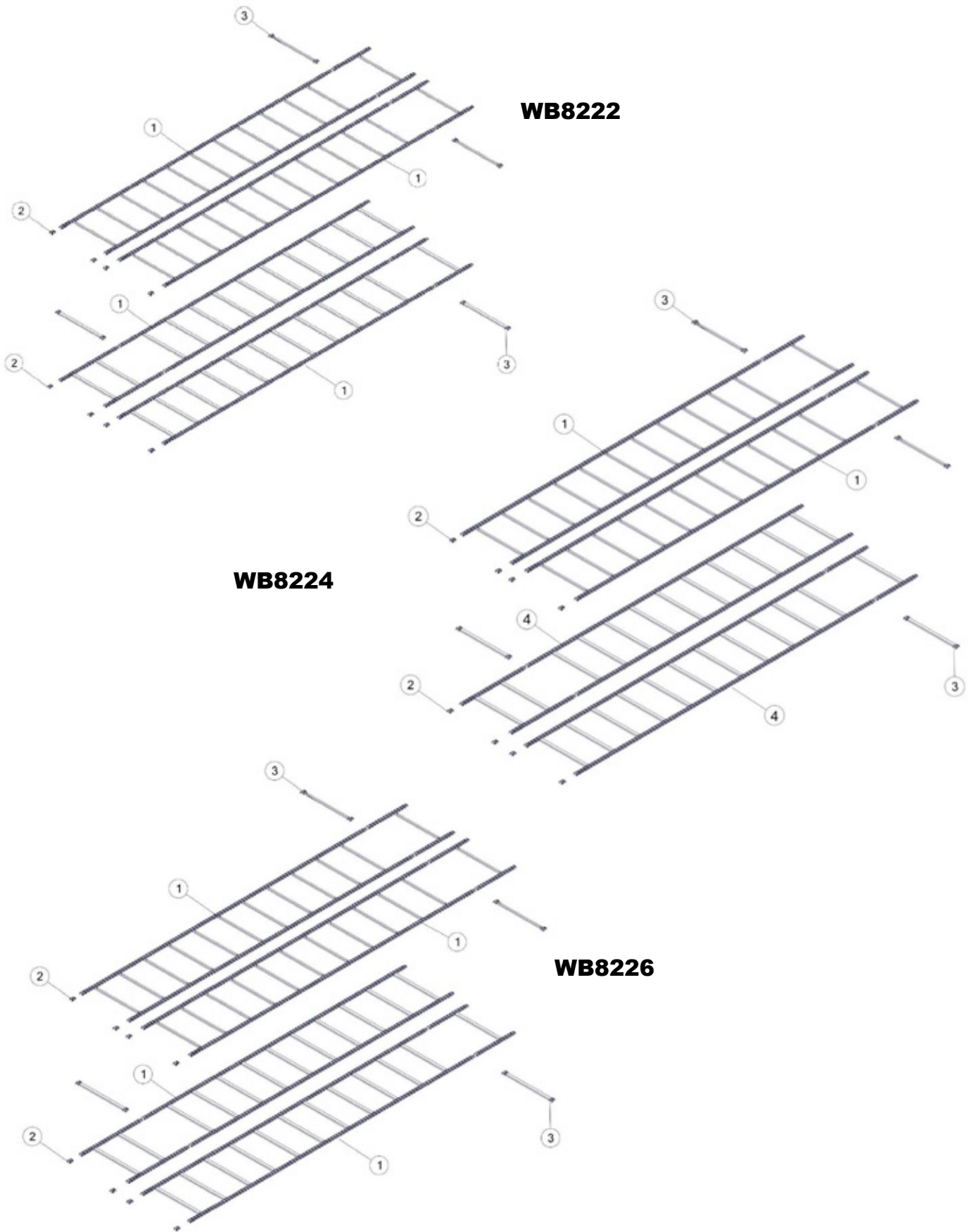


FIGURE 9
APRON CHAIN

<u>ITEM</u>	<u>QTY 22'</u>	<u>QTY 24'</u>	<u>QTY 26'</u>	<u>PART#</u>	<u>DESCRIPTION</u>
1	4	2	-	L3450	APRON CHAIN, 667XH X 119
1	-	-	4	L3449	APRON CHAIN, 667XH X 140
2	8	8	8	PB181	PNTL CHAIN, 667XH X 1, CONN LINK
3	52	56	60	PB177	CHAIN SLAT, 667XH X 1, W/ ATTACHMENT LINK
4	NA	2	NA	L3449	APRON CHAIN, 667XH X 140

FIGURE 10
HYDRAULICS

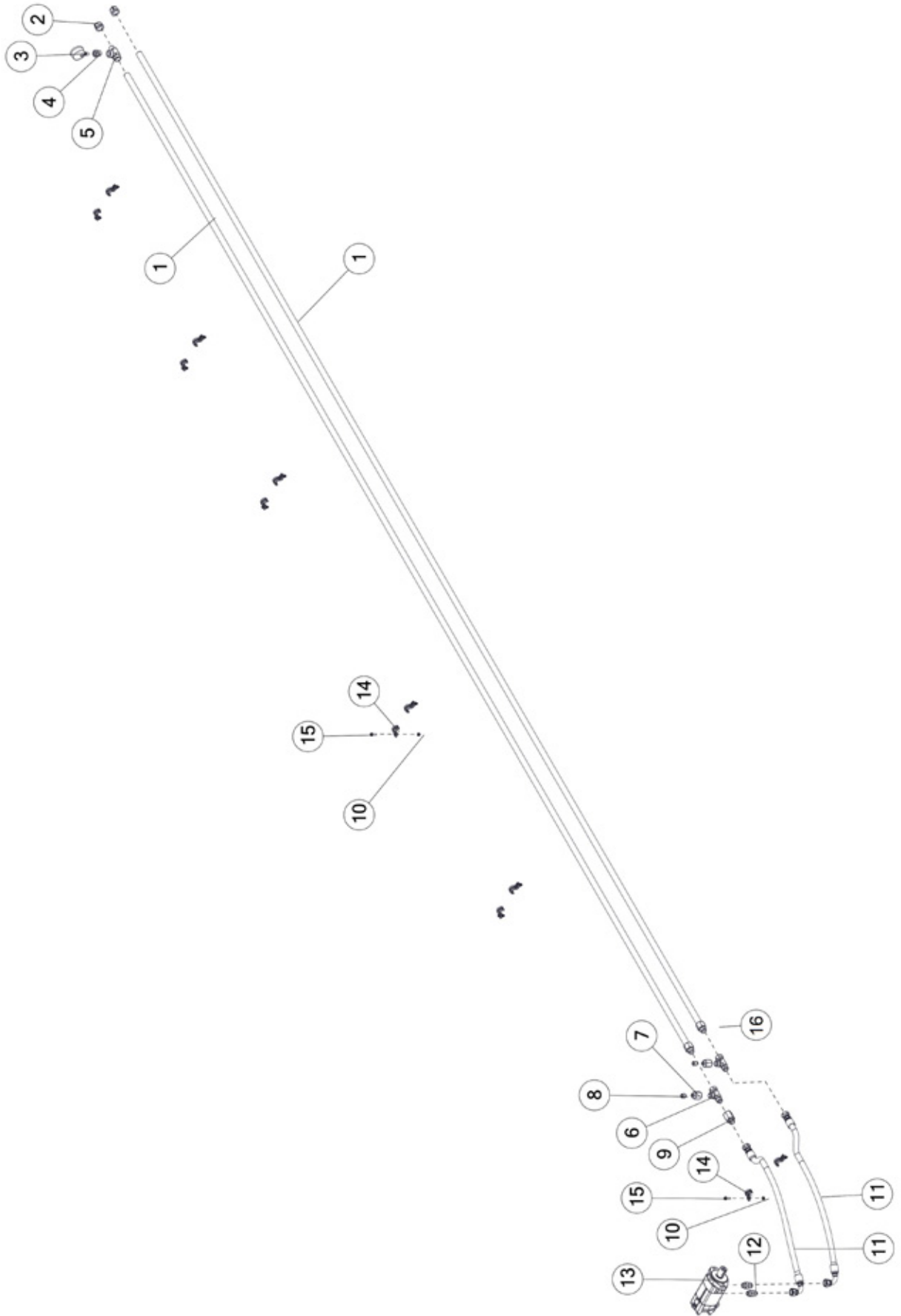


FIGURE 10 HYDRAULICS

<u>ITEM</u>	<u>QTY 22'</u>	<u>QTY 24'</u>	<u>QTY 26'</u>	<u>PART#</u>	<u>DESCRIPTION</u>
1	2	-	-	PB173	HYDRAULIC PIPE
1	-	2	-	IFB1	HYDRAULIC PIPE
1	-	-	2	90820	HYDRAULIC PIPE
2	2	2	2	54565	PIPE CAP, 3/4
3	1	1	1	BBS33	4000 PSI GAUGE
4	1	1	1	90819	FITTING STRAIGHT, 3/4 NPT, 3/8 NPT
5	1	1	1	GM10	FTG TEE, 3/4NPTF. 3/4 NPTF, 3/4 NPTF
6	2	2	2	CHM180	FITTING, TEE, 12JIC X 12JIC X 12JIC
7	2	2	2	86540	FITTING, STRAIGHT, 12JIC X 6JIC
8	2	2	2	83114	FITTING CAP, 6JIC
9	1	1	1	86477	HYD VALVE, CHECK, 3/4
10	12	12	12	YNFG08010	NUT FLANGE, 1/4 GF
11	2	2	2	90216	HYDRAULIC HOSE, 10, 34.5
12	2	2	2	GM21	FTG, ST, 12JIC, 10ORB, STL
13	1	1	1	16SV150	HYD MOTOR
14	12	12	12	90214	TUBE CLAMP
15	12	12	12	YBFB08100	BOLT FLANGE, 1/4 X 1 G5
16	2	2	2	58055	FITT ST, 12 JIC, 12 NPT

FIGURE 11
LIGHTS

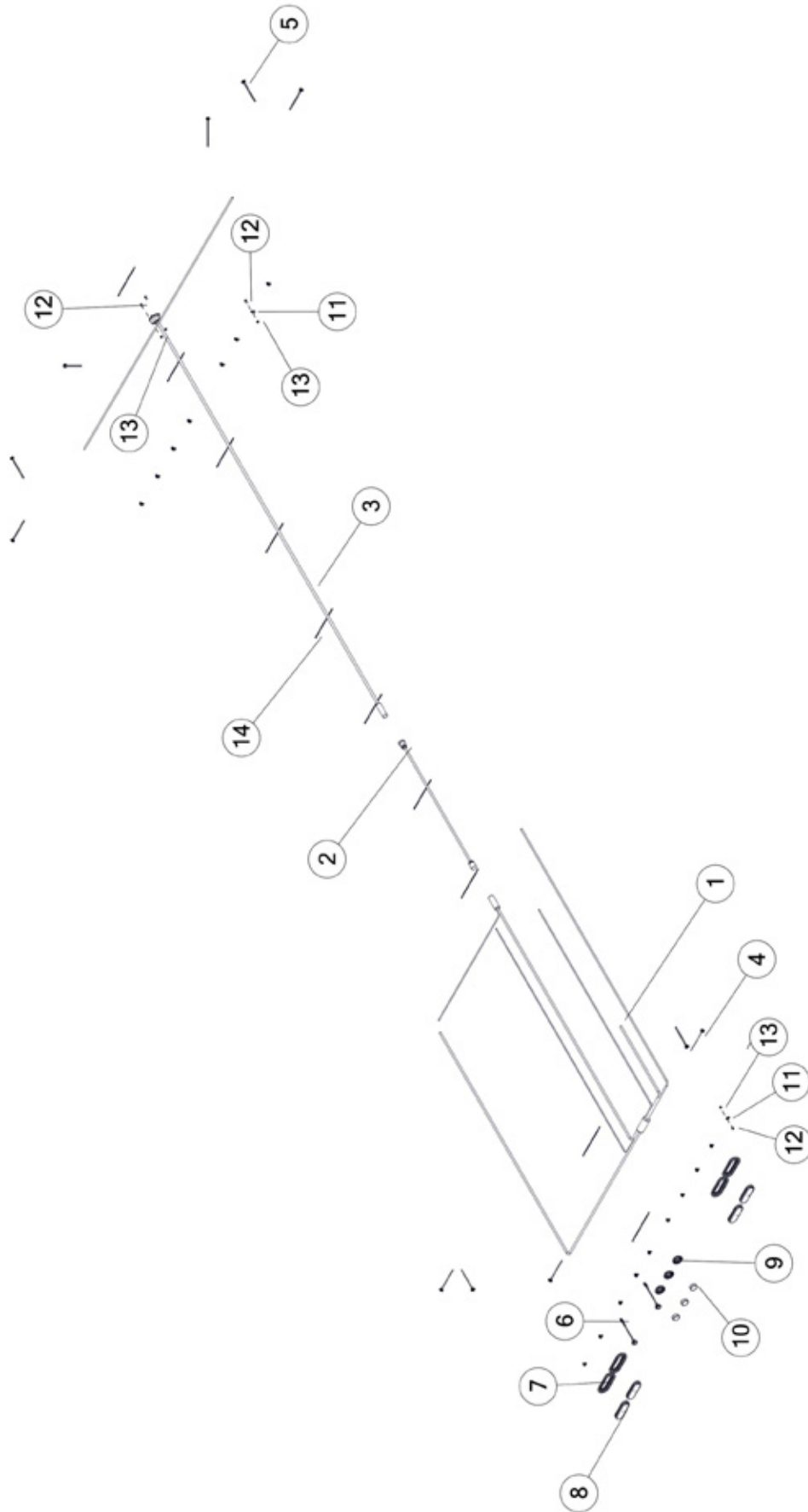


FIGURE 11 LIGHTS

<u>ITEM</u>	<u>QTY 22'</u>	<u>QTY 24'</u>	<u>QTY 26'</u>	<u>PART#</u>	<u>DESCRIPTION</u>
1	1	1	1	78656	ELEC HARNESS, REAR MAIN
2	NA	1	1	81670	HARNESS EXTENSION
3	1	1	1	90504	ELEC HARNESS, FRONT TRUCK
4	6	6	6	8620	RED LED LIGHT, ROUND
5	6	6	6	8033	AMBER LED LIGHT, ROUND
6	2	2	2	BBS98	LICENSE LIGHT
7	4	4	4	S308	OVAL LIGHT GROMMET
8	4	4	4	78671	RED LED LIGHT, OVAL
9	3	3	3	BBS91	ROUND LIGHT GROMMET
10	3	3	3	BBS92	MARKER LIGHT, RED ROUND
11	18	18	18	87705	CUSHION WIRE CLAMP 3/8
12	18	18	18	YBFB08075	BOLT FLANGE, 1/4 X 3/4 G5
13	18	18	18	YNFG08010	NUT FLANGE, 1/4 GF
14	10	10	10	CIZT109	ZIPTIE, 11.5 X .19 X .06

FIGURE 12
OPTIONAL WBOTPD

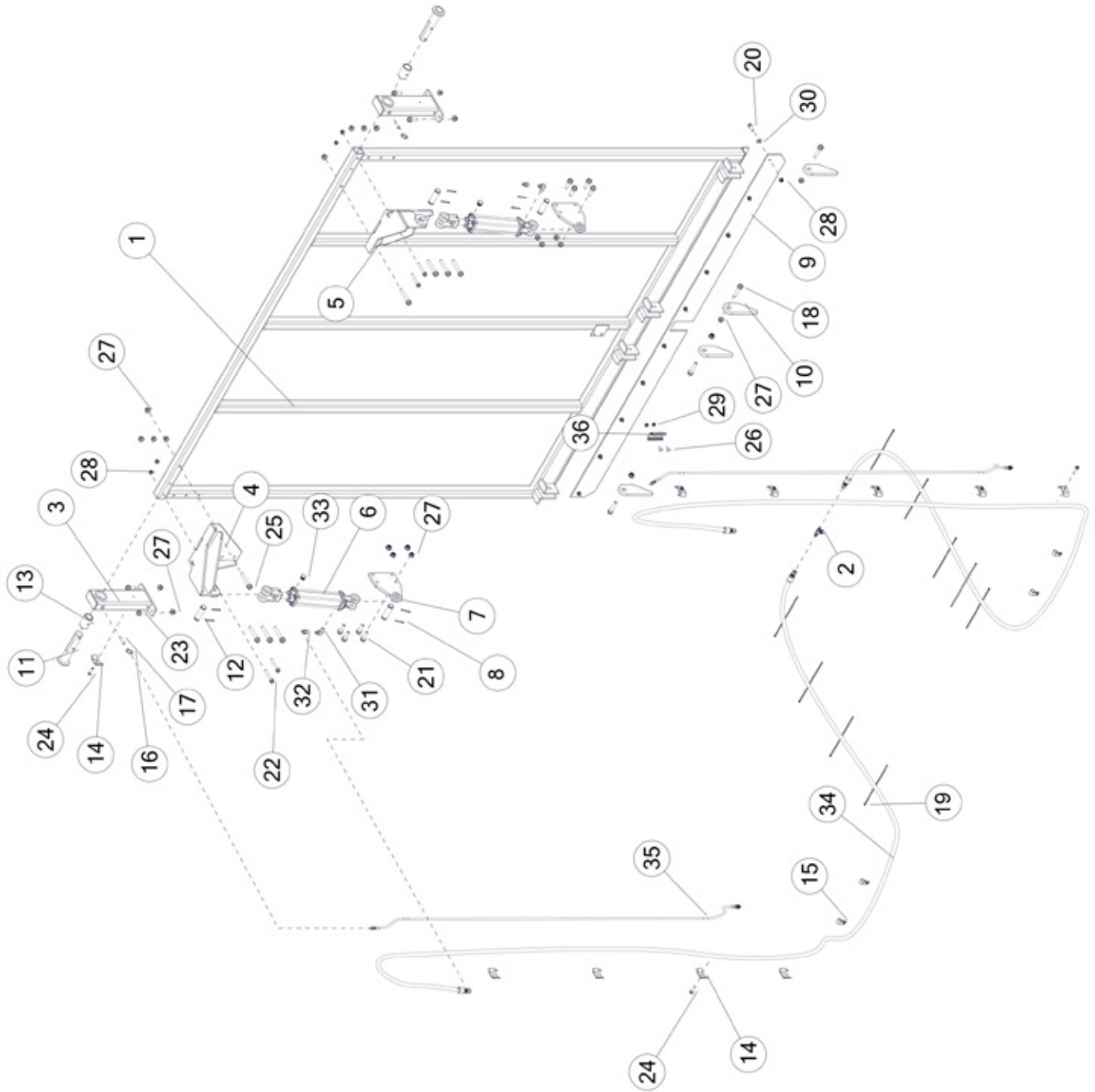


FIGURE 12

OPTIONAL WBOTPD

<u>ITEM</u>	<u>QTY 22'</u>	<u>QTY 24'</u>	<u>QTY 26'</u>	<u>PART#</u>	<u>DESCRIPTION</u>
1	1	1	1	89983	DOOR
2	1	1	1	58137	FITT T, 6JIC, 6JIC 6JIC
3	2	2	2	90679	STAKE TOP REAR ASSEMBLY
4	1	1	1	89265	UPPER GATE DELAY MOUNT, LH
5	1	1	1	89945	UPPER GATE DELAY MOUNT, RH
6	2	2	2	55999	CYLINDER, 2
*	2	2	2	56187	SEAL KIT
7	2	2	2	89267	LOWER GATE DELAY MOUNT
8	8	8	8	YPCT05010	COTTER PIN, 5/32 X 1-1/2
9	1	1	1	90014	DOOR SEAL
10	4	4	4	BBS67	LATCH
11	2	2	2	BBS64	DOOR HINGE PIN
12	4	4	4	T143	HYDRAULIC CYLINDER PIN
13	2	2	2	BBS39	BUSHING
14	10	10	10	23N67	FRONT HOSE BRACKET
15	4	4	4	HGV72	CUSHION WIRE CLAMP 3/4
16	2	2	2	90684	FITTING 90, 1/8NPT, 1/8NPT
17	2	2	2	90681	PIPE NIPPLE
18	4	4	4	YBFB16250	BOLT FLANGE, 1/2 X 2-1/2 G5
19	10	10	10	CIZT104	ZIPTIE, 11 X .18 X .05
20	10	10	10	YBFB12125	BOLT FLANGE, 3/8 X 1-1/4 G5
21	4	4	4	YBFB16175	BOLT FLANGE, 1/2 X 1-3/4 G5
22	4	4	4	YBFB12300	BOLT FLANGE, 3/8 X 3 G5
23	4	4	4	YBFB16150	BOLT FLANGE, 1/2 X 1-1/2 G5
24	10	10	10	YSHW10020	THREAD CUT SCREW, 5/16-18 X 1-1/2
25	8	8	8	YBFB16350	BOLT FLANGE, 1/2 X 3-1/2 G5
26	2	2	2	YBCR10030	BOLT CARRIAGE, 5/16-18 X 3/4 G5 ZC
27	20	20	20	YNFG16003	NUT FLANGE, 1/2 GF
28	14	14	14	YNFG12006	NUT FLANGE, 3/8 GF
29	2	2	2	YNFG10005	NUT FLANGE, 5/16 GF
30	10	10	10	YWFL12005	WASHER FLAT, 3/8 USS
31	2	2	2	CHM164	FITTING, 90, 6JIC X 3/8NPT
32	2	2	2	58144	IN-LINE CONNECTOR, ORIFICE, 6-XHX7-S .062
33	2	2	2	BFR70	VENT PLUG, 3/8
34	2	2	2	90507	HYDRAULIC HOSE, 6, 260
35	2	2	2	90729	HYD HOSE, 2, 88
36	1	1	1	F97	SMV HOLDER

FIGURE 13
OPTIONAL WBOSBDA

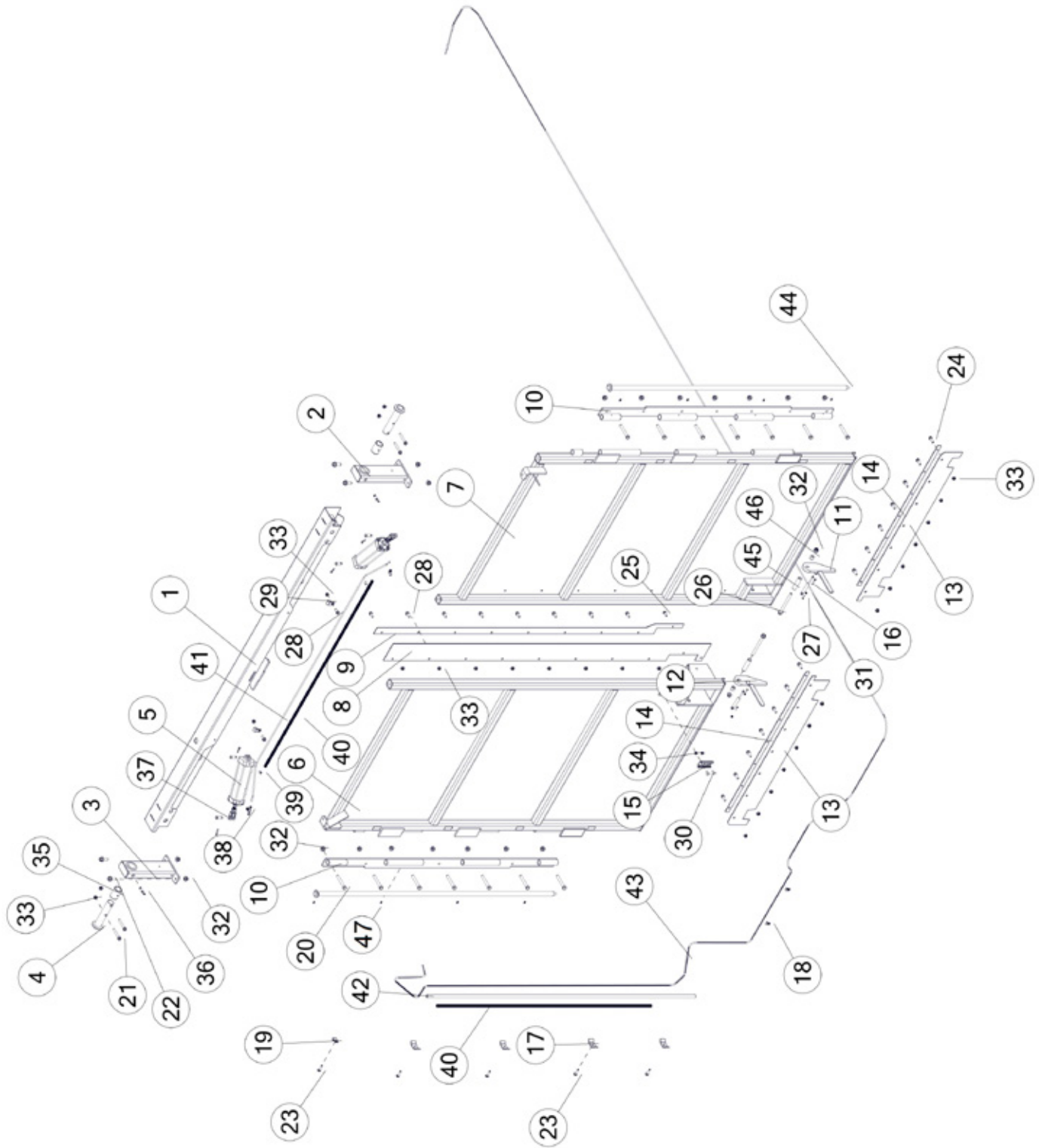


FIGURE 13

OPTIONAL WBOSBDA

<u>ITEM</u>	<u>QTY 22'</u>	<u>QTY 24'</u>	<u>QTY 26'</u>	<u>PART#</u>	<u>DESCRIPTION</u>
1	1	1	1	90782	TOP CHANNEL
2	1	1	1	BBS21	STAKE TOP REAR
3	1	1	1	BBS20	STAKE TOP REAR
4	2	2	2	BBS64	DOOR HINGE PIN
5	2	2	2	GD49	AIR CYLINDER, 2 1/2" X 8.00"
6	1	1	1	90746	LEFT DOOR
7	1	1	1	90747	RIGHT DOOR
8	1	1	1	90767	DOOR SEAL
9	1	1	1	90770	VERTICAL SEAL HOLDDOWN
10	2	2	2	82438	HINGE
11	1	1	1	0227WE08	LATCH RIGHT
12	1	1	1	0227WE07	LATCH LEFT
13	2	2	2	90759	DOOR BOTTOM BELTING
14	2	2	2	90761	LOWER SEAL HOLDDOWN
15	1	1	1	F97	SMV BRACKET
16	2	2	2	SD190	GAS STRUT
17	4	4	4	23N67	FRONT HOSE BRACKET
18	2	2	2	83052	CUSHION WIRE CLAMP 5/16
19	1	1	1	HGV162	CUSHION WIRE CLAMP 1/2
20	14	14	14	YBHH16125	BOLT HEX, 1/2 X 3-3/4 G5
21	4	4	4	YBFB12300	BOLT FLANGE, 3/8 X 3 G5
22	4	4	4	YBFB16150	BOLT FLANGE, 1/2 X 1-1/2 G5
23	5	5	5	YSHW10020	THREAD CUT SCREW, 5/16-18 X 1-1/2
24	14	14	14	YBFB12125	BOLT FLANGE, 3/8 X 1-1/4 G5
25	1	1	1	YSHW10005	HWH TCS "F", 5/16-18 X 1
26	2	2	2	YBFB16600	BOLT FLG, 1/2 X 6 G5
27	4	4	4	YSPP62075	PPHMS, #8-32 X .75
28	10	10	10	YBFB12003	BOLT FLG, 3/8 X 1 G5
29	2	2	2	HGV72	CUSHION WIRE CLAMP 3/4
30	2	2	2	YBCR10030	BOLT CARRIAGE, 5/16-18 X 3/4 G5 ZX
31	4	4	4	YNNY62005	NUT HEX, #8-32 LKNY G2 ZC
32	20	20	20	YNFG16003	NUT FLANGE, 1/2 GF
33	10	10	10	YNFG12006	NUT FLANGE, 3/8 GF
34	2	2	2	YNFG10005	NUT FLANGE, 5/16 GF
35	1	1	1	56244	BUSHING, DRIVE SHAFT
36	2	2	2	16SV26	1/8" NPT X 2-3/32" 30 DEG ZERK
37	2	2	2	56264	CLEVIS PIN AND COTTER PIN KIT
38	2	2	2	GD26	FITTING TEE, 1/4NPT
39	2	2	2	0227MS05	FITTING PLUG, 1/4NPT, ORIFICE
40	2	2	2	0227MS02	WIRE LOOM
41	1	1	1	0227MS03	CYLINDER TIE AIR LINE
42	1	1	1	90783	AIR LINE SHEILD
43	1	1	1	79792	CYLINDER SUPPLY LINE 530" (BLACK)
44	2	2	2	82449	DOOR HINGE PIN
45	2	2	2	90757	LATCH SPACER LONG
46	2	2	2	90758	LATCH SPACER SHORT
47	10	10	10	MS26	STRAIGHT ZERK, 1/4

FIGURE 14 **OPTIONAL WBOSBDA2**

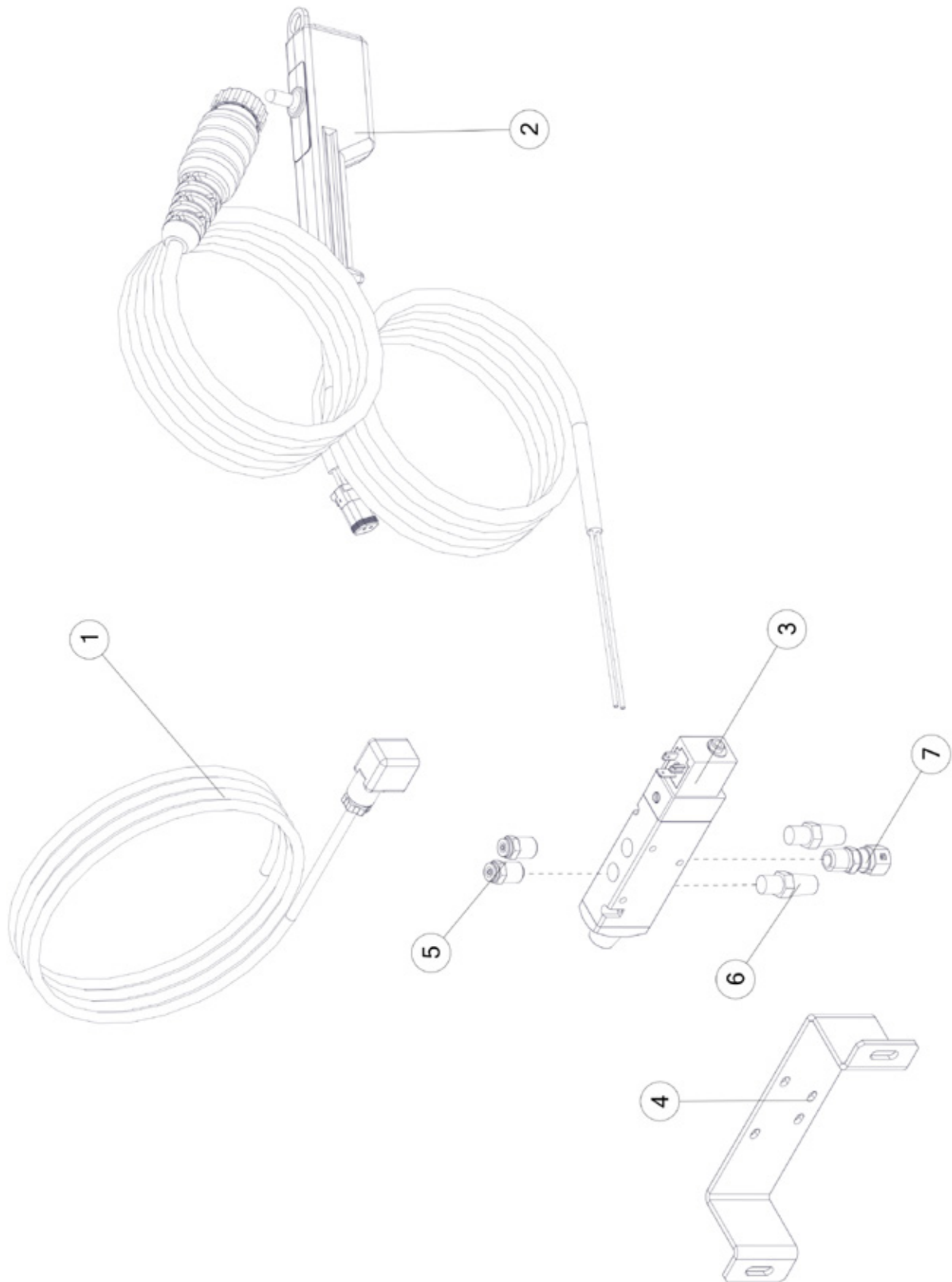


FIGURE 14
OPTIONAL WBOSBDA2

<u>ITEM</u>	<u>QTY 22'</u>	<u>QTY 24'</u>	<u>QTY 26'</u>	<u>PART#</u>	<u>DESCRIPTION</u>
1	1	1	1	1093	DIN CORD
2	1	1	1	63361	HAND CONTROLLER, (ON)-OFF
3	1	1	1	8031	NORGREN VALVE 4 WAY
4	1	1	1	54510	AIR VALVE MOUNTING BRACKET
5	2	2	2	GD6	MALE COUPLER, 1/4
6	2	2	2	GD7	VENT PLUG, CONE SHAPED, 1/4
7	1	1	1	58651	DOT FITTING, 1/4 X 3/8

FIGURE 15
OPTIONAL WBOTMK

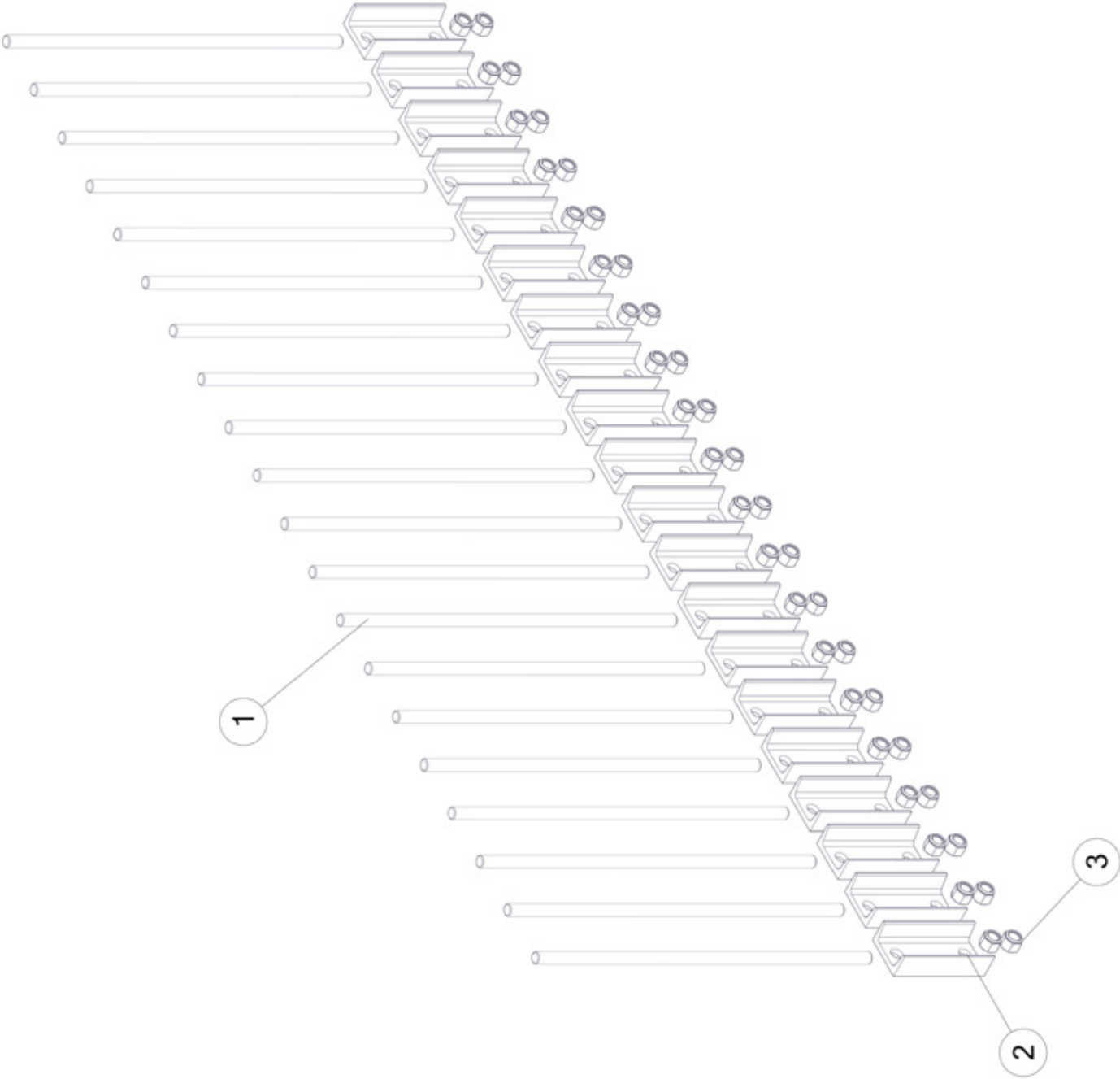


FIGURE 15
OPTIONAL WBOTMK

<u>ITEM</u>	<u>QTY 22'</u>	<u>QTY 24'</u>	<u>QTY 26'</u>	<u>PART#</u>	<u>DESCRIPTION</u>
1	20	20	20	FBC6	SCR,ROD, 3/4-16X 24 G5 ZC
2	20	20	20	69906	CHL, C, 3 X 1.52 X 6-1/2, TIE DOWN
3	40	40	40	YNNY24006	NUT HEX, 3/4-16 LKNY G2 ZC

FIGURE 16
OPTIONAL WBOCMK

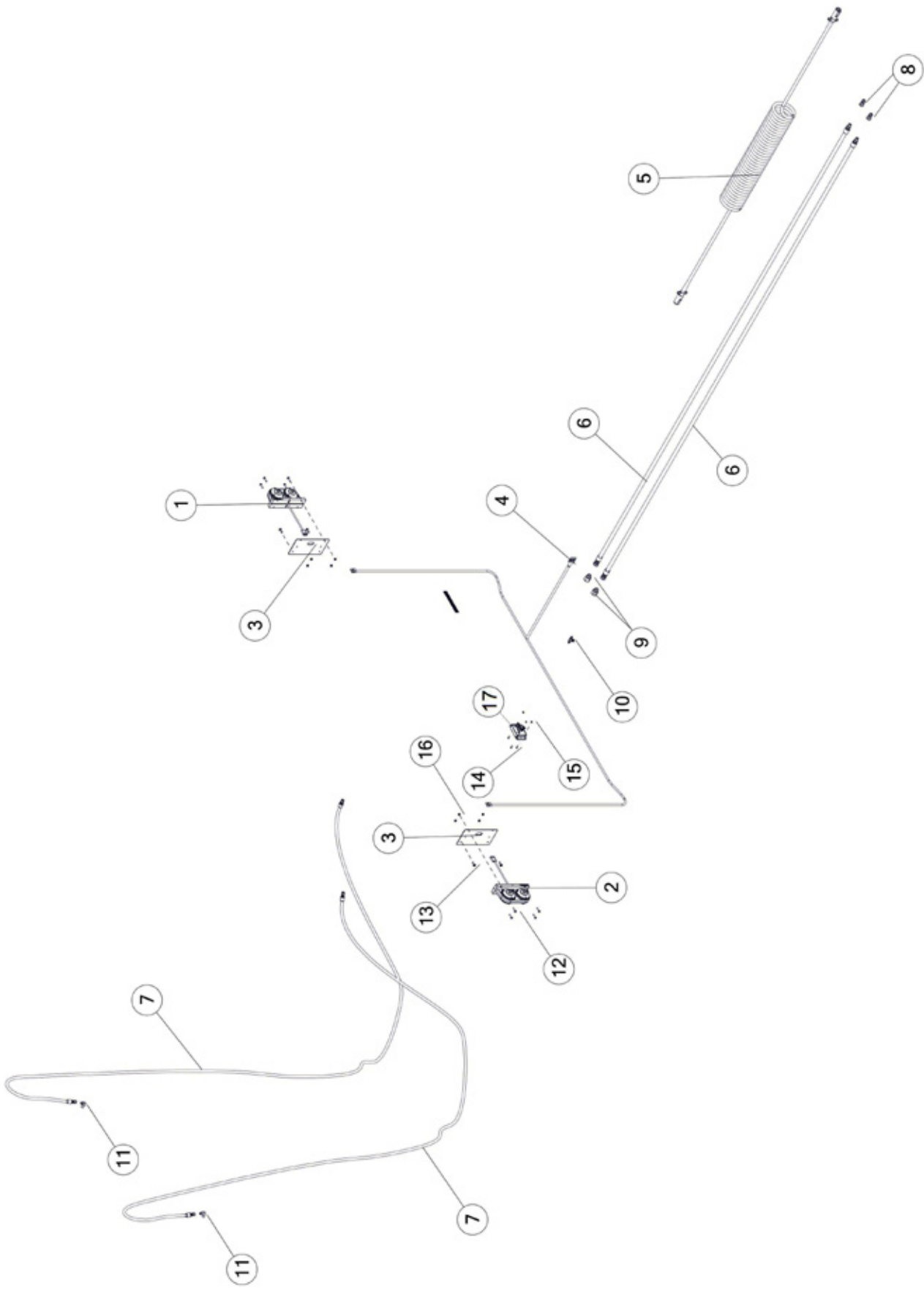


FIGURE 16

OPTIONAL WBOCMK

<u>ITEM</u>	<u>QTY 22'</u>	<u>QTY 24'</u>	<u>QTY 26'</u>	<u>PART#</u>	<u>DESCRIPTION</u>
1	1	1	1	77923	TAIL LIGHT ASSY, LH
2	1	1	1	77924	TAIL LIGHT ASSY, RH
3	2	2	2	86040	LIGHT BRACKET, BOLT ON
4	1	1	1	78360	LIGHT HARNESS , REAR
5	1	1	1	TLPC7	TRANSPORT LIGHT CORD, 7 PIN
6	2	2	2	90311	HYDRAULIC HOSE, 10, 171
7	2	2	2	90507	HYDRAULIC HOSE, 6, 260
8	2	2	2	DWM205	VMI - MALE QUICK COUPLER S71-4P HYD TIP
9	2	2	2	58055	FITTING ST, 12JIC 12NPT
10	1	1	1	58137	FITTING T, X JIC, X JIC, X JIC,
11	2	2	2	CHM164	FITTING, 90, 6JIC X 3/8NPT
12	8	8	8	YBHH08035	BOLT HEX, 1/4-20 X 1-1/4 G5
13	2	2	2	YSHW10005	HWH TCS "F", 5/16-18 X 1
14	3	3	3	YSPN64005	MACHINE PPHS, #10-24 X 5/8 ZINC
15	3	3	3	YNNY64005	NUT HEX, #10-24 LKNY G2 ZC
16	8	8	8	YNFG08010	NUT FLANGE, 1/4 GF
17	1	1	1	69908	MODULE, CONTROL, FLASHER

FIGURE 17
OPTIONAL WBOSBDH

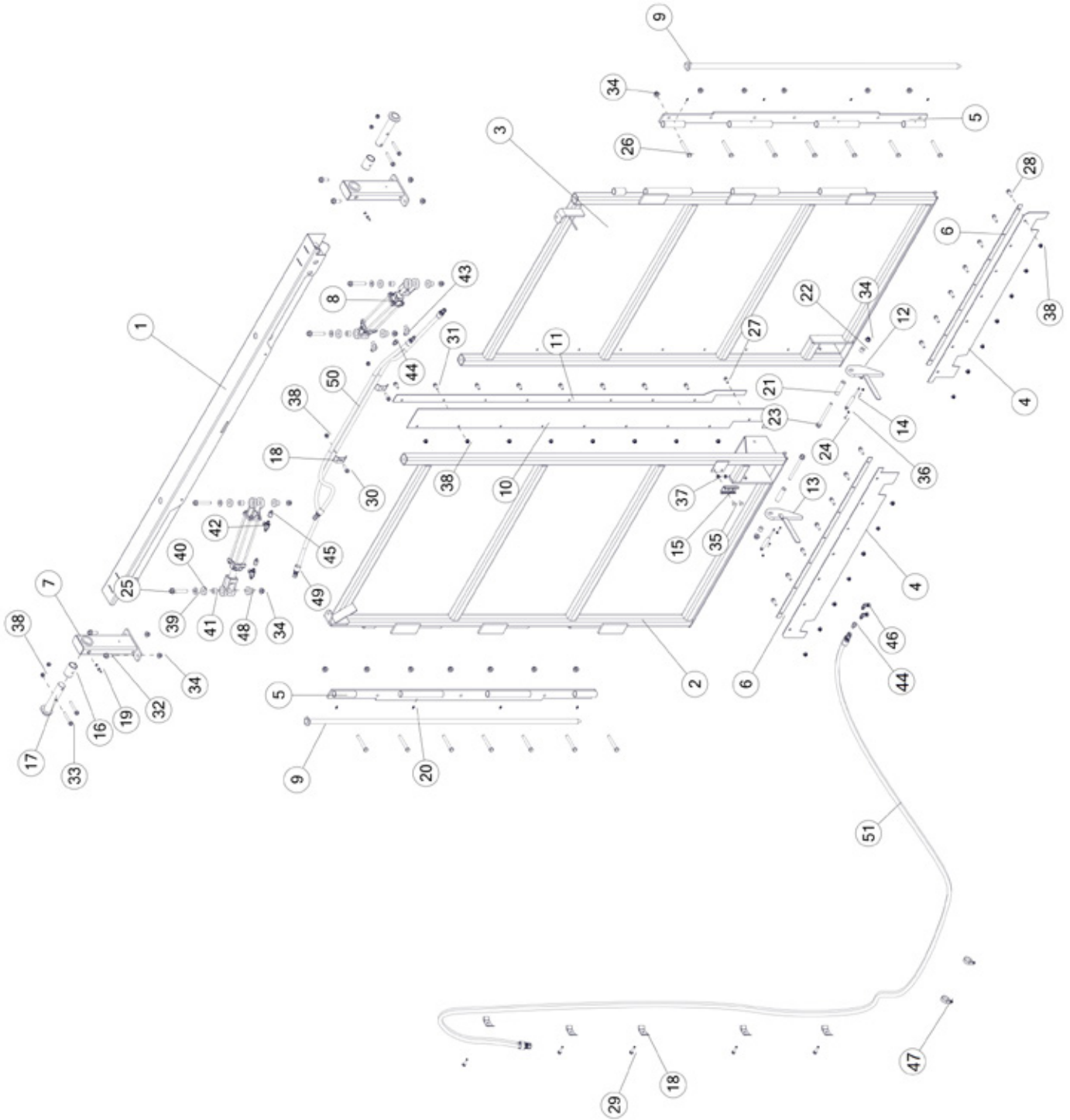


FIGURE 17

OPTIONAL WBOSBDH

<u>ITEM</u>	<u>QTY</u>	<u>PART#</u>	<u>DESCRIPTION</u>
1	1	90745	TOP CHANNEL
2	1	90746	LEFT DOOR
3	1	90747	RIGHT DOOR
4	2	90759	DOOR BOTTOM BELTING
5	2	82438	HINGE
6	2	90761	LOWER SEAL HOLDDOWN
7	2	BBS21	STAKE TOP REAR
8	2	85176	CYLINDER, 2 X 8 (3000 PSI)
*	1	23N142A	CLEVIS CAP FOR 2" CYLINDR
*	1	56174	ROD CAP FOR 2" CYLINDER
*	1	BFR68	CYLINDER TUB, 2 X 8
*	1	23N149	PLUG
*	4	T186	CYLINDER TIE ROD, 2 X 2-1/2 X 8
*	8	YNHX12006	NUT HEX, 3/8 NA G2 ZC
*	1	56180	PISTON FOR 2" CYLINDER
*	1	T184A	CYLINDER ROD
*	1	23N150A	ROD CLEVIS
*	1	YSSO12015	SET SCREW, SOCKET 3/8-24 X 3/8
*	1	23N148	PISTON NUT
*	1	56187	SEAL KIT FOR 2" CYLINDER
9	2	82449	DOOR HINGE PIN
10	1	90767	DOOR SEAL
11	1	90770	VERTICAL SEAL HOLDDOWN
12	1	93805	LATCH, RH
13	1	93806	LATCH, LH
14	2	SD190	GAS STRUT
15	1	F97	SMV BRACKET
16	2	BBS39	BRONZE BUSHING
17	2	BBS64	DOOR HINGE PIN
18	7	23N67	FRONT HOSE BRACKET
19	2	16SV26	PIPE GREASE ZERK
20	8	MS26	STRAIGHT STANDARD SHORT ZERK, 1/4
21	2	90757	LATCH SPACER LONG
22	2	90758	LATCH SPACER SHORT
23	2	YFBF16600	BOLT FLANGE, 1/2 X 6 G5
24	4	YSPP62075	PPHMS, #8-32 X 3/4
25	2	YFBF16350	BOLT FLANGE, 1/2 X 3-1/2 G5
26	14	YBHH16125	BOLT HEX, 1/2 X 3-3/4 G5
27	1	YSHW10005	HWH TCS "F", 5/16-18 X 1
28	14	YFBF12125	BOLT FLANGE, 3/8 X 1-1/4 G5
29	5	YSHW10020	THREAD CUTTING SCREW, 5/16 X 1-1/2
30	2	YFBF12150	BOLT FLANGE, 3/8 X 1-1/2 G5
31	8	YFBF12003	BOLT FLANGE, 3/8 X 1 G5
32	4	YFBF16150	BOLT FLANGE, 1/2 X 1-1/2 G5
33	4	YFBF12300	BOLT FLANGE, 3/8 X 3 G5
34	17	YNFG16003	NUT FLANGE, 1/2 GF
35	2	YBCR10030	BOLT CARRIAGE, 5/16-18 X 3/4 G5 ZC

FIGURE 17 OPTIONAL WBOSBDH

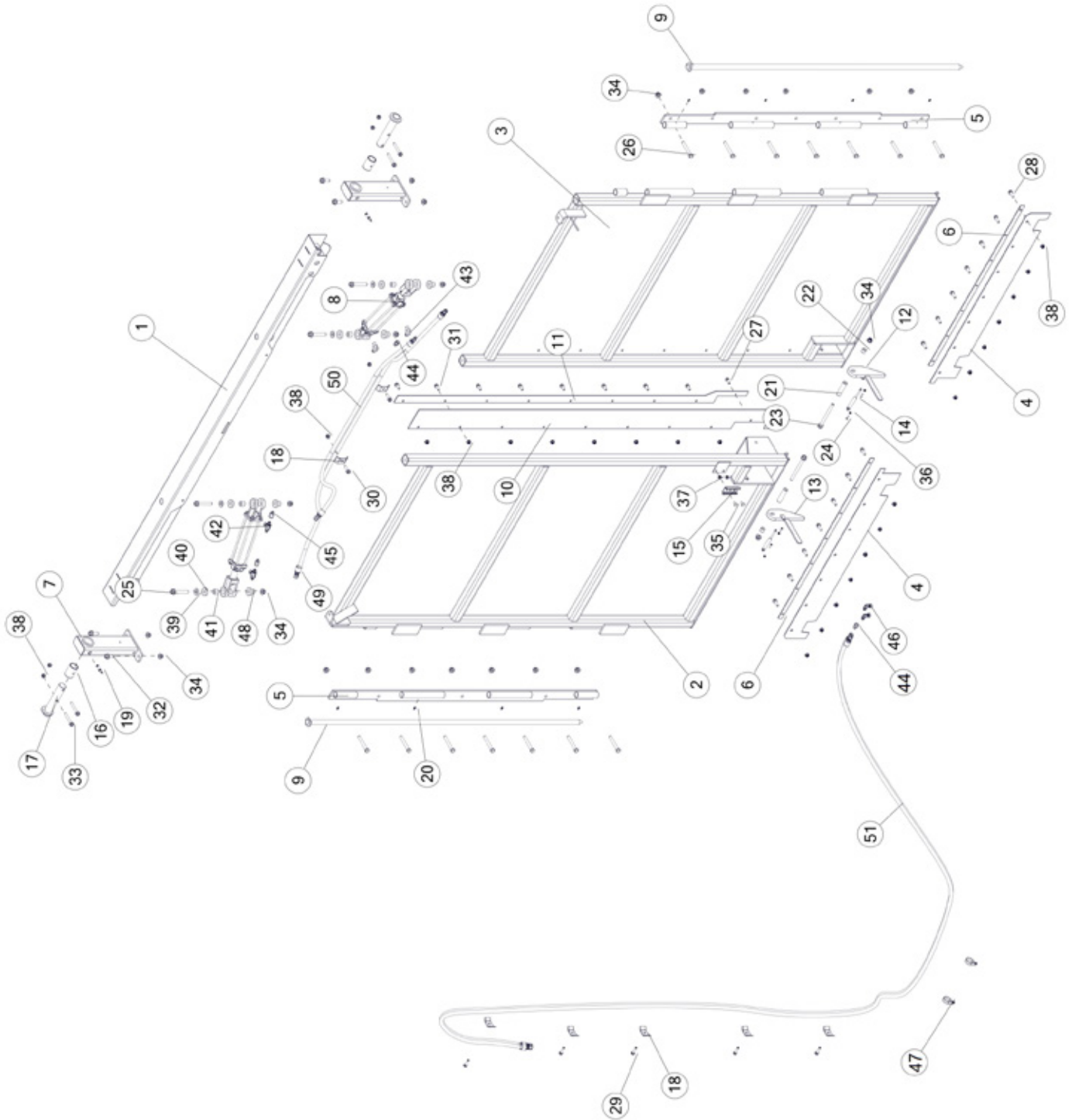


FIGURE 17
OPTIONAL WBOSBDH

<u>ITEM</u>	<u>QTY</u>	<u>PART#</u>	<u>DESCRIPTION</u>
36	4	YNNY62005	NUT HEX, #8-32 LKNY G2 ZC
37	2	YNFG10005	NUT FLANGE, 5/16 GF
38	10	YNFG12006	NUT FLANGE, 3/8 GF
39	4	YWFL16005	WASHER, FLAT 1/2 USS
40	4	84589	CYLINDER SPACER
41	4	BFR282	BELL CRANK BUSHING
42	2	90777	FITTING T, 6JIC, 6JIC, 3/8NPT
43	2	CHM164	FITTING, 90, 6JIC X 3/8NPT
44	2	58143	FITTING, 06-06 M/F ORIFICE, 0.047
45	1	90780	FITTING, STRAIGHT, 6JIC X 4JIC
46	1	58127	FITTING 90, 3/8 JIC, 3/8 JIC
47	2	1016	CUSHION WIRE CLAMP 1-1/2
48	4	82809	BUSHING, HYDRAULIC BARN DOOR
49	1	90817	HYDRAULIC HOSE, 6, 80
50	1	90818	HYDRAULIC HOSE, 6, 58
51	2	90507	HYDRAULIC HOSE, 6, 260

CHANGE NOTES

H&S MFG. CO.

products approved

for the

FEMA

SEAL OF QUALITY



Manufactured by:

H&S MANUFACTURING CO., INC.

2608 S. HUME AVE. MARSHFIELD, WI 54449

(715) 387-3414 | hsmfgco.com

