



WB8230
WBCT8230
FORAGE BOX
PARTS BOOK

Part #90794 HSMFG070722 Rev. #01 WB8230 Starting Ser. #322WB30001
WBCT8230 Starting Ser. #222WBC0003

STRONG HERITAGE - STRONG PEOPLE - STRONGER FUTURE

TABLE OF CONTENTS

Instructions for Ordering Parts	1
Figure 1 - Side Stakes & Components	2-3
Figure 2 - Side Panels	4-5
Figure 3 - Top Rails & Screens, LH	6-7
Figure 4 - Top Rails & Screens, RH	8-9
Figure 5 - Floor & Components	10-11
Figure 6 - Front Panels & Components	12-13
Figure 7 - Idler Shaft & Components	14-15
Figure 8 - Drive Shaft & Components	16-19
Figure 9 - Apron Chain	20-21
Figure 10 - Hydraulics	22-23
Figure 11 - Lights	24-25
Figure 12 - Optional WBOTPD	26-27
Figure 13 - Optional WBOSBDA	28-29
Figure 14 - Optional WBOSBDA2	30-31
Figure 15 - Optional WBOTMK	32-33
Figure 16 - Optional WBOCMK	34-35
Figure 17 - Optional WBOSBDH	36-39
Figure 18 - Mud Flap Kit for WBCT8230	40-41
Figure 19 - Top Pivot Rear Door W/Hyd Gate Delay for WBCT8230	42-43
Parts Notes	44

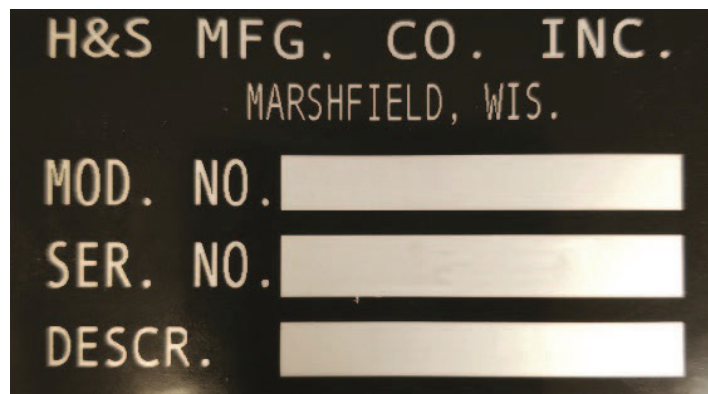
INSTRUCTIONS FOR ORDERING PARTS

All service parts should be ordered through your authorized H&S dealer. Your Dealership will be able to give you faster service if you will provide them with the following:

1. Model & Serial Number - Both can be located on the left rear side panel.
2. All references to left or right apply to the machine as viewed from the rear.
3. Parts should not be ordered from illustration only. Please order complete part number.
4. If your dealer has to order parts - give shipping instructions:

VIA truck - large pieces (please specify local truck lines)

VIA United Parcel Service (include full address)



PLEASE RECORD NUMBERS FOR YOUR UNIT FOR QUICK REFERENCE

ABOUT IMPROVEMENTS

H&S IS CONTINUALLY STRIVING TO IMPROVE ITS PRODUCTS

We must, therefore, reserve the right to make improvements or changes whenever it becomes practical to do so, without incurring any obligation to make changes or additions to the equipment previously sold.

FIGURE 1
SIDE STAKES & COMPONENTS

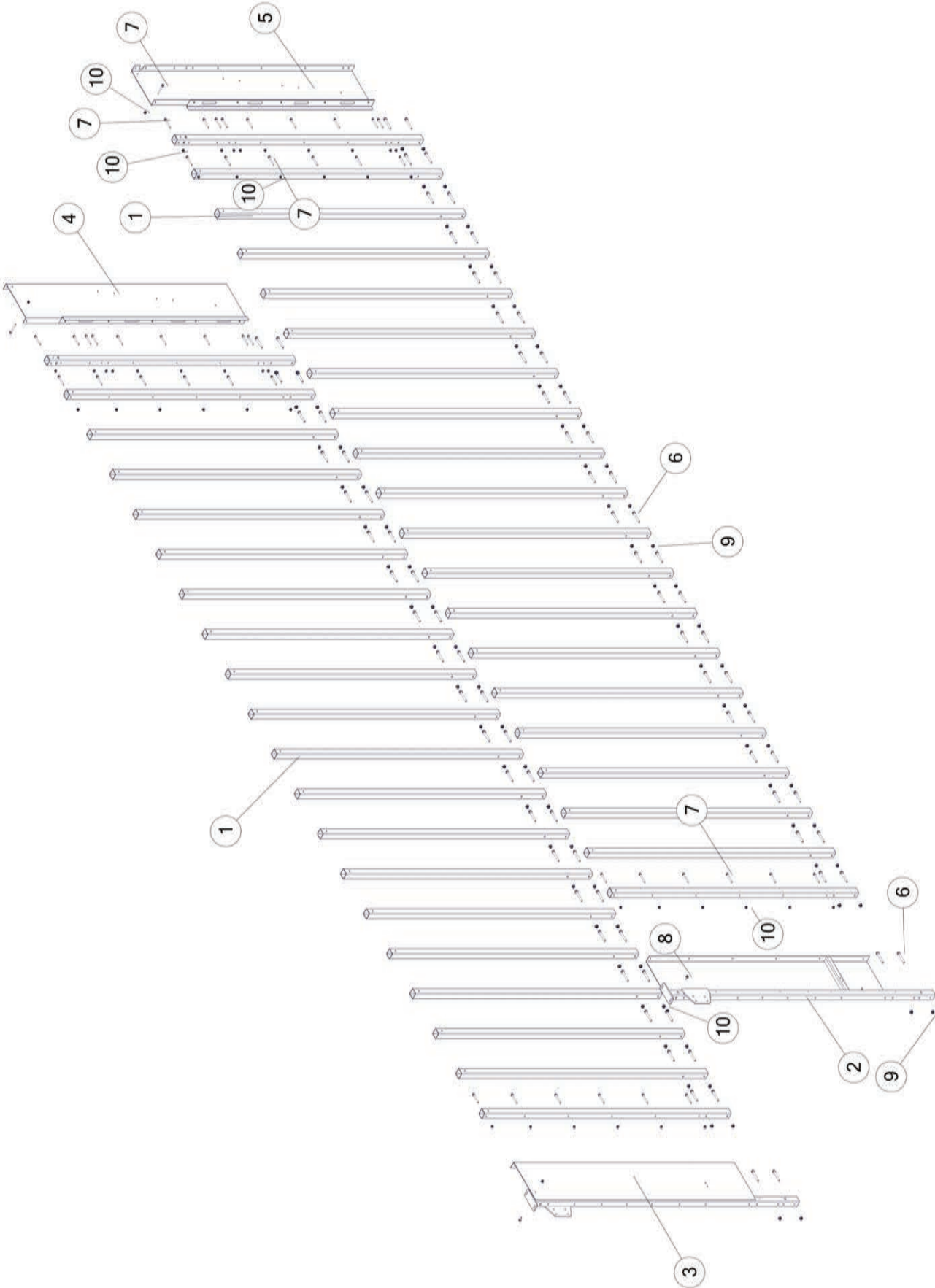


FIGURE 1
SIDE STAKES & COMPONENTS

<u>ITEM</u>	<u>QTY</u>	<u>PART#</u>	<u>DESCRIPTION</u>
1	36	IFB124	SIDE STAKE
2	1	90084	REAR SIDE PANEL, RH
2	1	94458	REAR SIDE PANEL, RH WBCT8230
3	1	90083	REAR SIDE PANEL, LH
3	1	94457	REAR SIDE PANEL, LH WBCT8230
4	1	90835	FRONT SIDE PANEL, LH
5	1	90833	FRONT SIDE PANEL, RH
6	84	YBFB16400	BOLT FLANGE, 1/2 X 4 G5
7	40	YBFB12350	BOLT FLANGE, 3/8 X 3-1/2 G5
8	2	YBFB12003	BOLT FLANGE, 3/8 X 1 G5
9	84	YNFG16003	NUT FLANGE, 1/2 GF
10	42	YNFG12006	NUT FLANGE, 3/8

FIGURE 2
SIDE PANELS

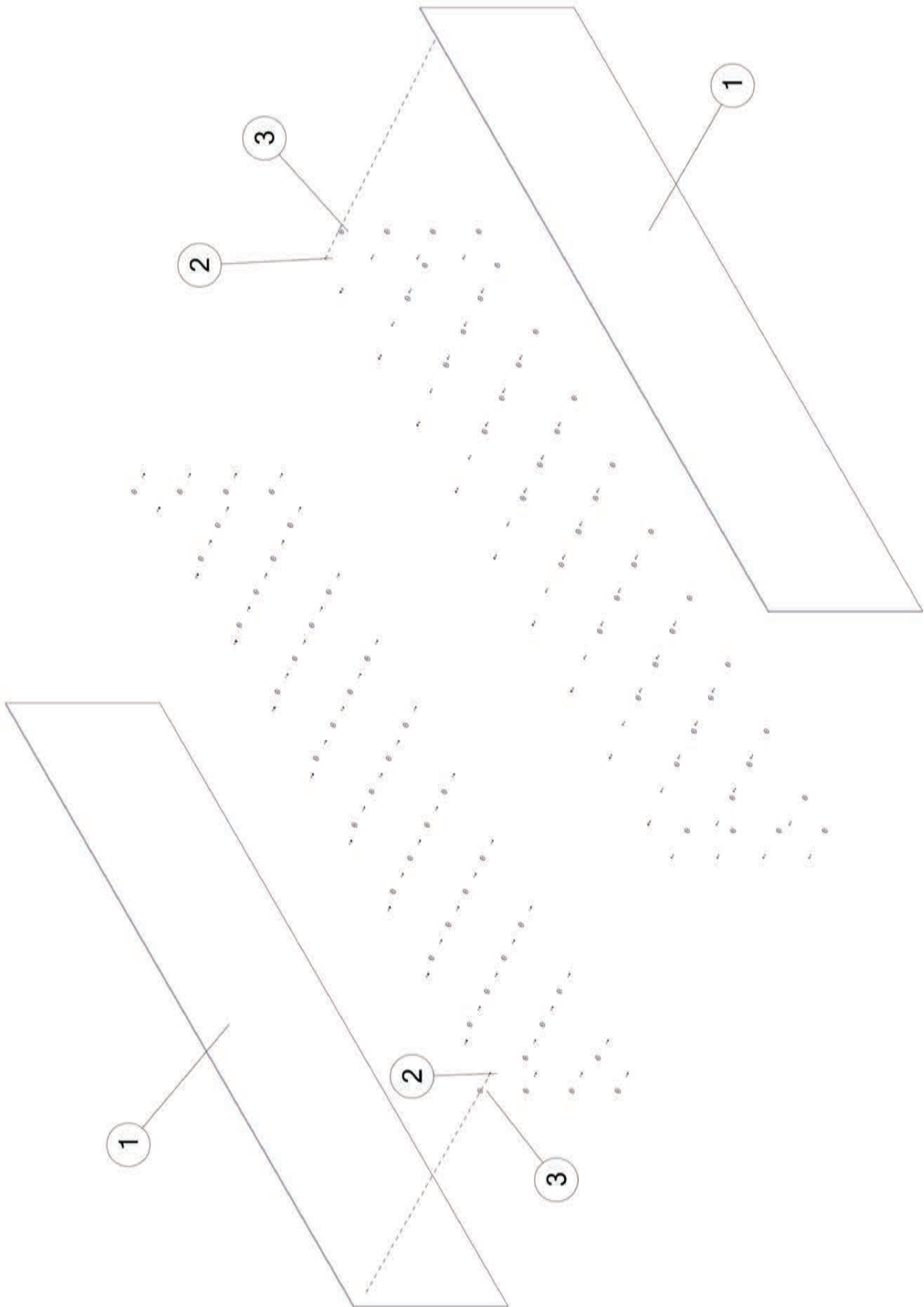


FIGURE 2
SIDE PANELS
DESCRIPTION

<u>ITEM</u>	<u>QTY</u>	<u>PART#</u>	<u>DESCRIPTION</u>
1	2	90259	FRP PANEL, SIDE 30 FEET
2	98	YSDR08020	SELF DRILLING SCREW, HEX WASHER HEAD, 1/4-14 X 1-1/2
3	82	YWCU99005	WASHER CUSTOM, FENDER 3/8 X 2

FIGURE 3
TOP RAILS & SCREENS, LH

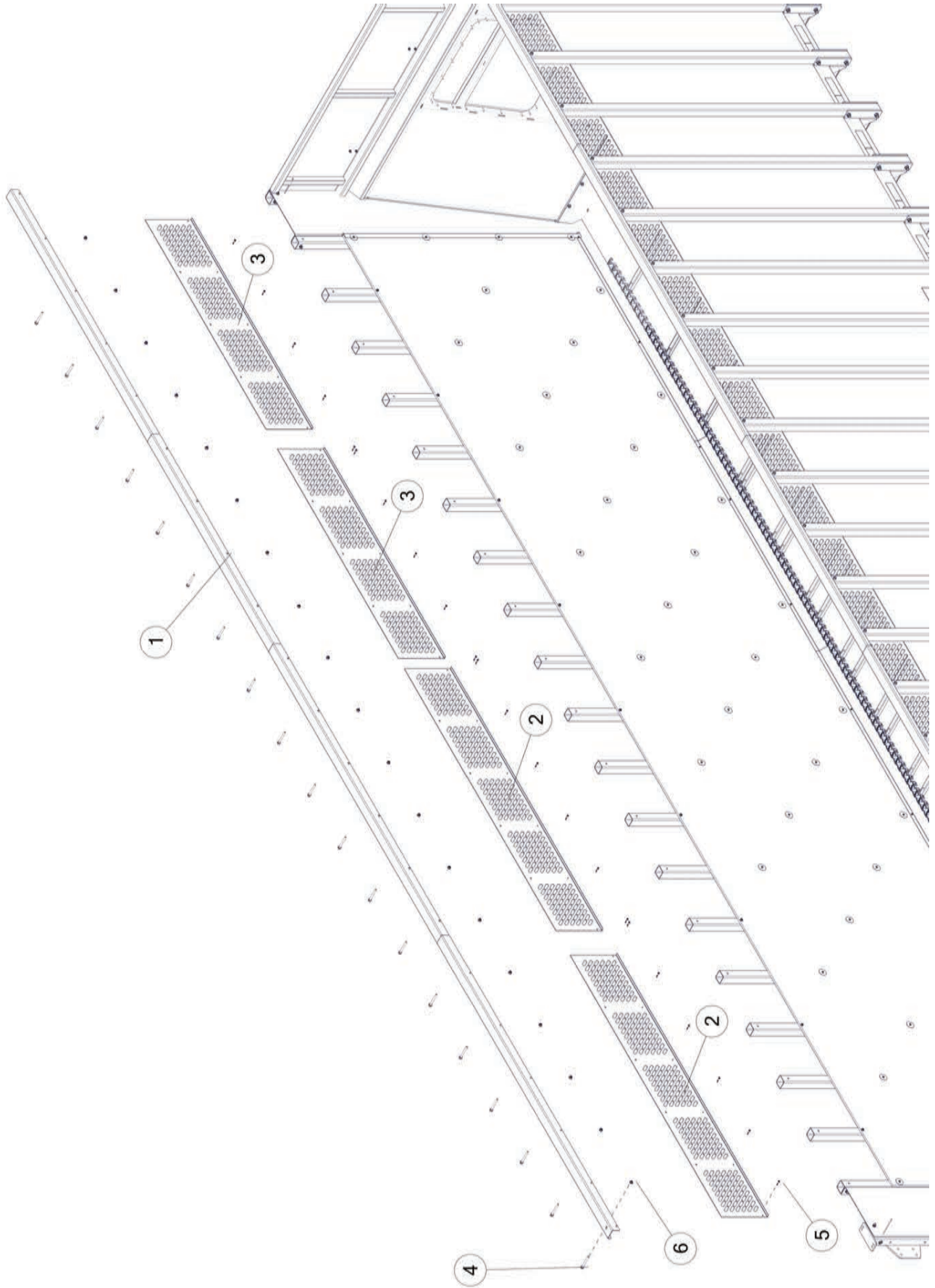


FIGURE 3
TOP RAILS & SCREENS, LH

<u>ITEM</u>	<u>QTY</u>	<u>PART#</u>	<u>DESCRIPTION</u>
1	1	90964	TOP RAIL, LH
2	2	89463	TOP SCREEN, 5 PANEL, LH
3	2	90839	TOP SCREEN, 4 PANEL, LH
4	19	YBFB12350	BOLT FLANGE, 3/8 X 3-1/2 G5
5	22	YSDR66010	SELF DRILL SCREW, HEX WASH HEAD, #12-14 X 1-1/2 ZC
6	19	YNFG12006	NUT FLANGE, 3/8 GF

FIGURE 4
TOP RAILS & SCREENS, RH

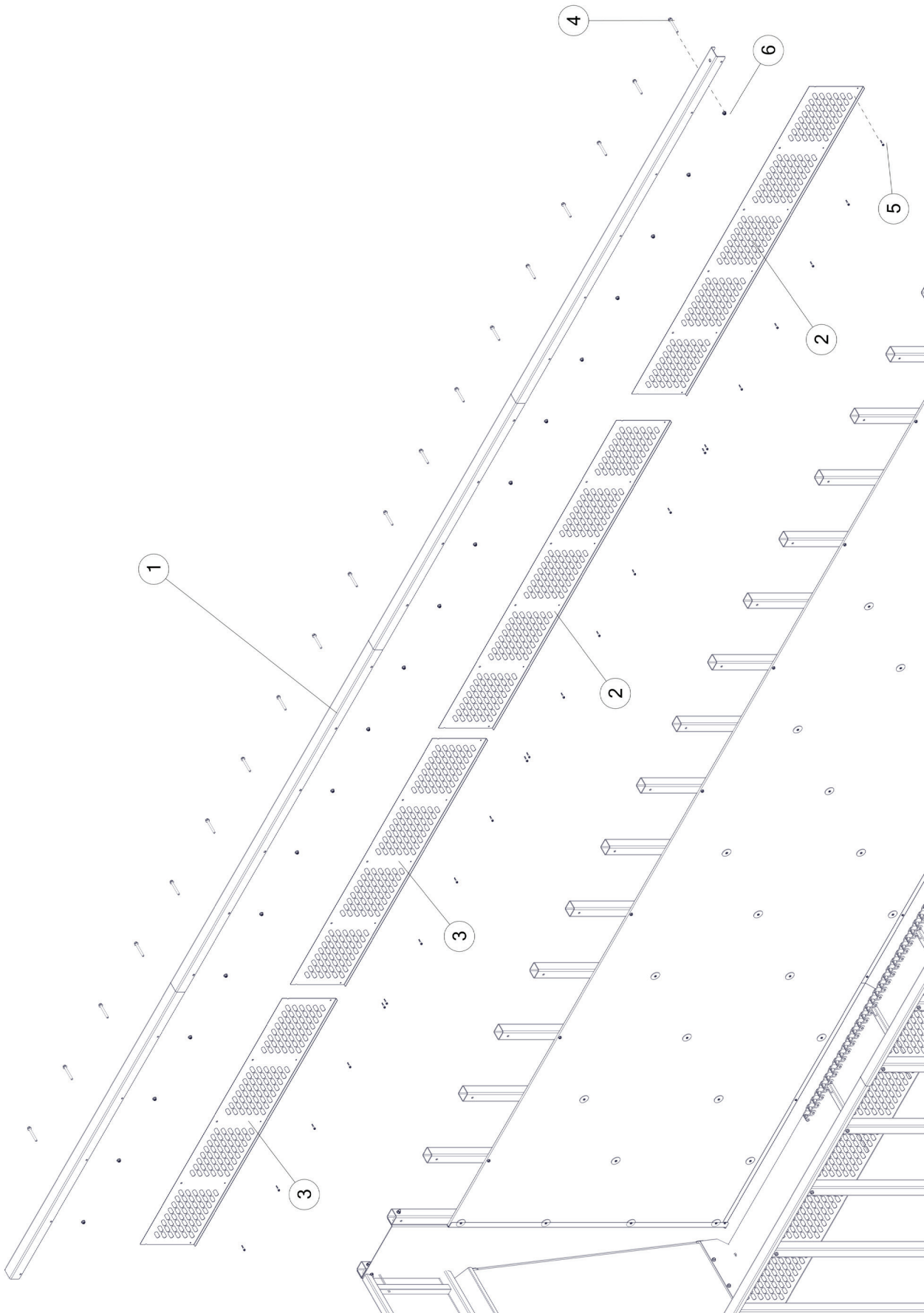


FIGURE 4
TOP RAILS & SCREENS, RH

<u>ITEM</u>	<u>QTY</u>	<u>PART#</u>	<u>DESCRIPTION</u>
1	1	90962	TOP RAIL, RH
2	2	90449	TOP SCREEN, 5 PANEL, RH
3	2	90838	TOP SCREEN, 4 PANEL, RH
4	19	YBFB12350	BOLT FLG, 3/8 X 3-1/2 G5
5	22	YSDR66010	SELF DRILL SCREW, HEX WASH HEAD, #12-14 X 1-1/2 ZC
6	19	YNFG12006	NUT FLANGE, 3/8 GF

FIGURE 5
FLOOR & COMPONENTS

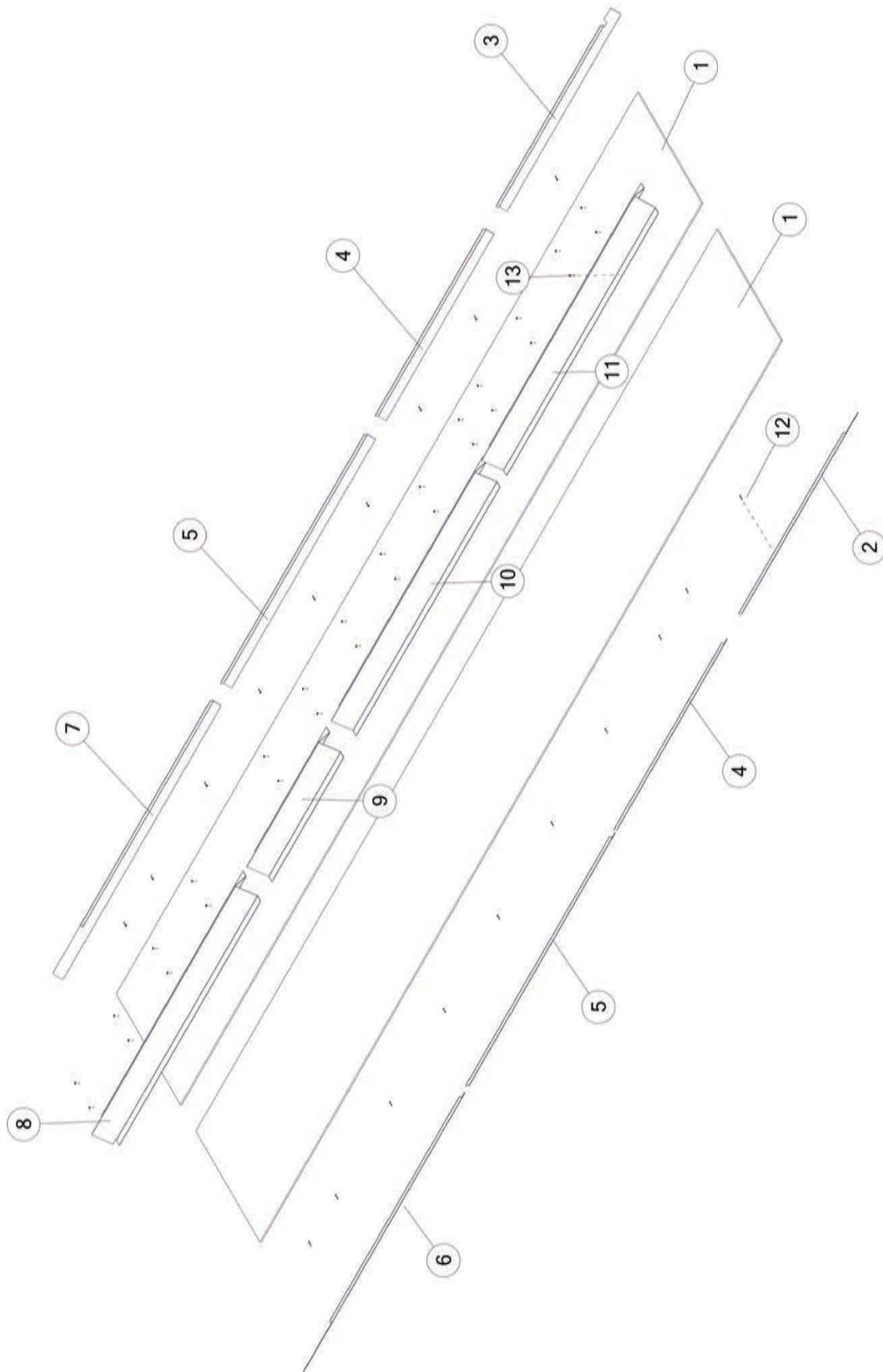


FIGURE 5
FLOOR & COMPONENTS

<u>ITEM</u>	<u>QTY</u>	<u>PART#</u>	<u>DESCRIPTION</u>
1	2	86855	POLY FLOOR PANEL
2	1	90840	FRONT FLOOR HOLDDOWN, RH
3	1	90841	FRONT FLOOR HOLDDOWN, LH
4	2	90337	FLOOR HOLDDOWN, CENTER
5	2	90129	STEEL PANEL SLANT, CENTER
6	1	90148	REAR FLOOR HOLDDOWN, RH
7	1	90147	REAR FLOOR HOLDDOWN, LH
8	1	87583	BACK CENTER FLOOR RIDGE
9	1	90335	CENTER FLOOR RIDGE
10	1	87562	CENTER FLOOR RIDGE
11	1	90078	FLOOR RIDGE, FRONT
12	22	YSDR66010	SELF DRILL SCREW, HEX WASH HEAD, #12-14 X 1-1/2 ZC
13	28	YSDR08020	SELF DRILL SCREW, HEX WASHER HEAD, 1/4-14 X 1-1/2

FIGURE 6 FRONT PANELS & COMPONENTS

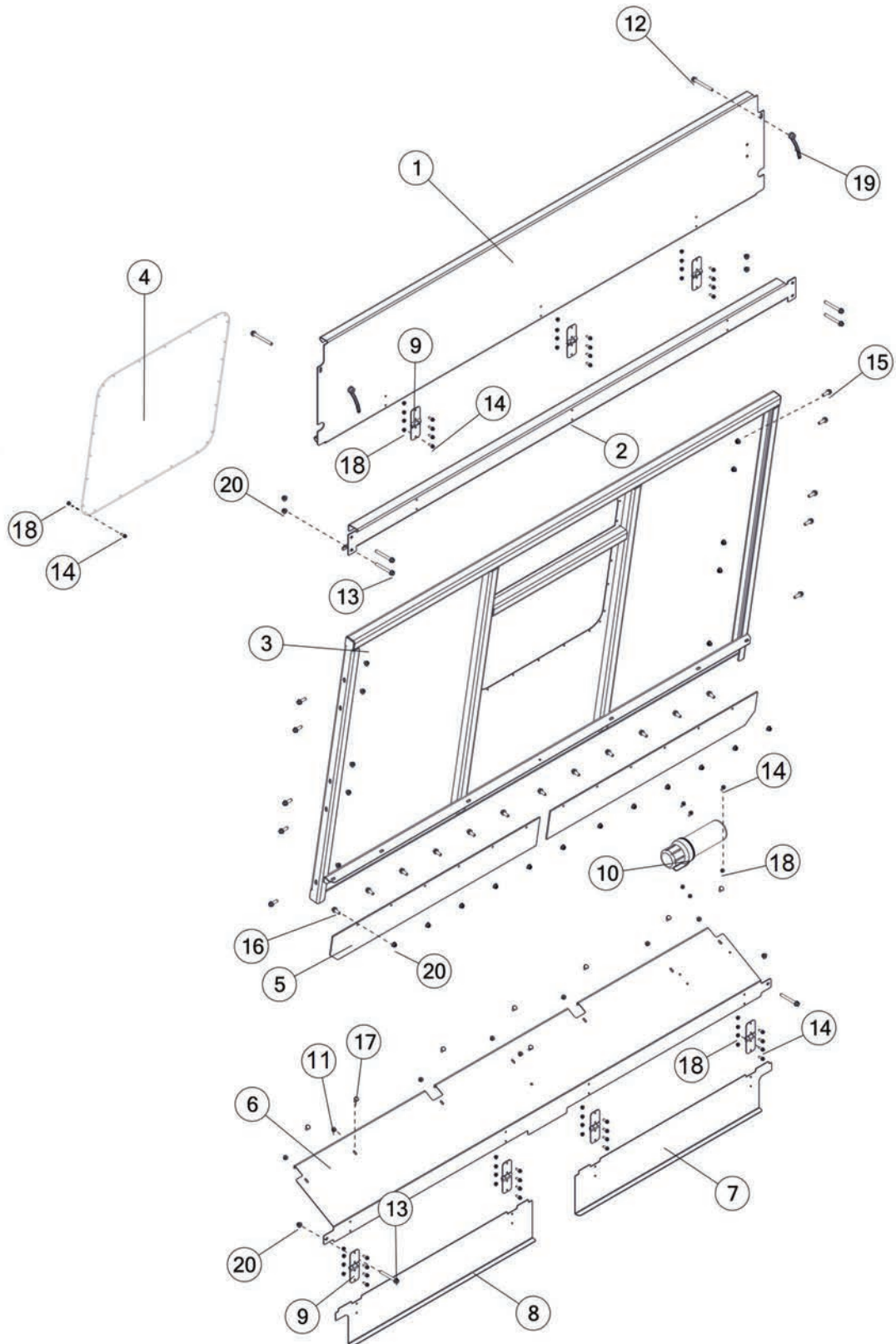


FIGURE 6
FRONT PANELS & COMPONENTS

<u>ITEM</u>	<u>QTY</u>	<u>PART#</u>	<u>DESCRIPTION</u>
1	1	90027	FOLD DOWN, FRONT
2	1	90025	PANEL, FRONT UPPER
3	1	89302	FRONT PANEL
4	1	88713	LARGE WINDOW WITH HOLES
5	1	79237	FRONT RUBBER
6	1	89301B	FRONT SHIELD TOP W/DECALS
7	1	90041B	FRONT SHIELD, LH W/DECALS
8	1	90030B	FRONT SHIELD, RH W/DECALS
9	7	82134	HINGE
10	1	S522	MANUAL HOLDER
11	7	YNFG10005	NUT FLANGE, 5/16 GF
12	2	YBFB12400	BOLT FLANGE, 3/8 X 4 G5
13	4	YBFB12350	BOLT FLANGE, 3/8 X 3-1/2 G5
14	57	YBFB08075	BOLT FLANGE, 1/4 X 3/4 G5
15	10	YBFB12125	BOLT FLANGE, 3/8 X 1-1/4 G5
16	12	YBFB12003	BOLT FLANGE, 3/8 X 1 G5
17	7	YBCR10030	BOLT CARRIAGE, 5/16-18 X 3/4 G5 ZC
18	57	YNFG08010	NUT FLANGE, 1/4 GF
19	2	S192	HANDLE NUT
20	28	YNFG12006	NUT FLANGE, 3/8 GF

FIGURE 7 **IDLER SHAFT & COMPONENTS**

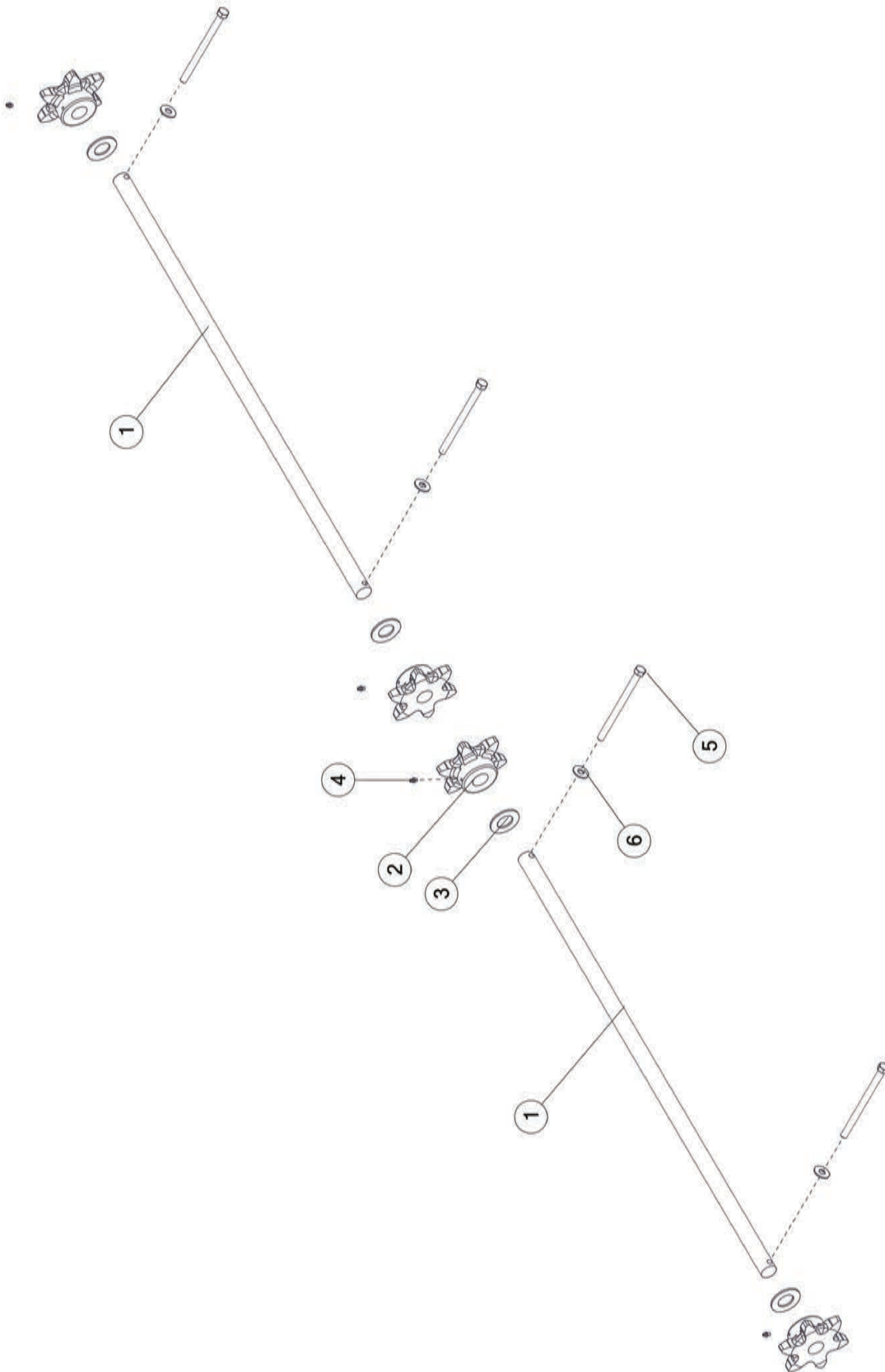


FIGURE 7
IDLER SHAFT & COMPONENTS

<u>ITEM</u>	<u>QTY</u>	<u>PART#</u>	<u>DESCRIPTION</u>
1	2	S63	IDLER SHAFT
2	4	JB10	IDLER SHAFT SPROCKET
3	4	S61	IDLER SHAFT SPACER
4	4	G89	STRAIGHT ZERK, 1/4-28
5	4	YBHH16181	BOLT HEX, 1/2 X 7 G5 FULL THREAD
6	4	YWFL16005	WASHER, FLAT 1/2 USS

FIGURE 8 DRIVE SHAFT & COMPONENTS

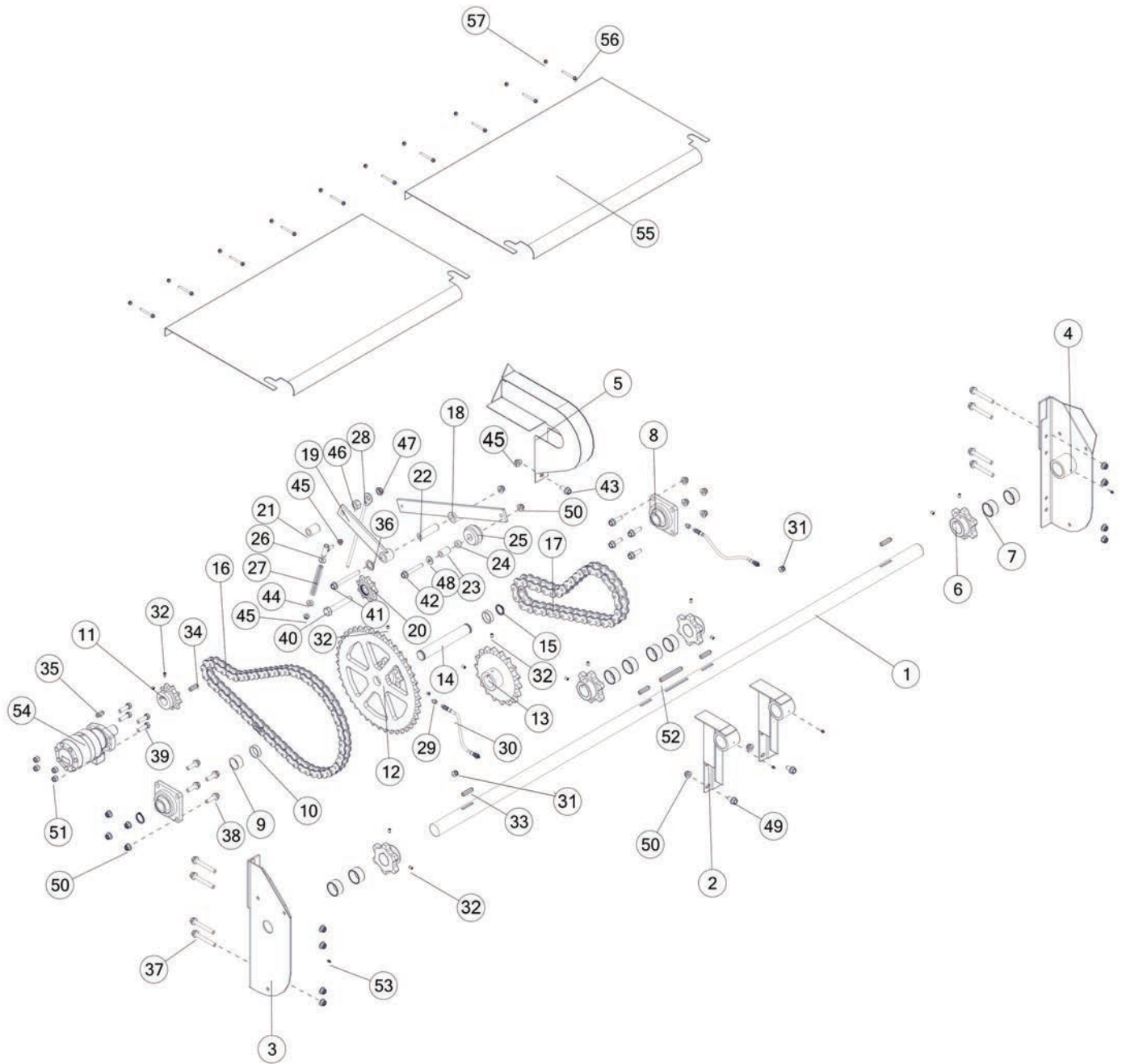


FIGURE 8

DRIVE SHAFT & COMPONENTS

<u>ITEM</u>	<u>QTY</u>	<u>PART#</u>	<u>DESCRIPTION</u>
1	1	96028	DRIVE SHAFT
2	2	94277	SUPPORT, DRIVESHAFT
3	1	94274	DRIVE SHAFT MOUNT LH
4	1	94269	DRIVE SHAFT MOUNT RH
5	1	94283	CENTER DRIVE SHIELD
6	4	72669	6 TOOTH STEEL SPROCKET
7	8	72652	BRONZE BUSHING
8	2	12V99	BRG, 5.13 X 1.50 X 2.02, FLANGE
9	2	A25	SPACER
10	1	17G91	SPACER
11	1	90477	SPROCKET, 9
12	1	90212	DOUBLE IDLER SPROCKET
13	1	90303	SPROCKET, 18
14	1	90445	IDLER SHAFT
15	2	12V62	HEAVY DUTY EXTERNAL SNAP RING, 1-1/2
16	1	90402	ROLLER CHAIN, #100H X 58P
17	1	90425	ROLLER CHAIN, #120H X 37P
18	1	IFB11	LONG TIGHTENER
19	1	IFB10	SHORT TIGHTENER
20	1	33SV1	9T IDLER SPROCKET W/BEARING
21	1	90471	SPACER
22	1	IFB12	POLY CHAIN TIGHTENER AXLE
23	1	IFB13	POLY CHAIN TIGHTENER AXLE
24	1	90468	SPACER
25	1	IFB14	CHAIN TIGHTENER ROLLER
26	1	23N206	CLUTCH ROD HOLDER
27	1	23N211	SPRING
28	1	IFB5	TIGHTENER ROD
29	2	TS323	FITTING STRAIGHT, 1/4-28, 1/8-27NPT
30	2	90769	HYDRAULIC HOSE, 2, 14.0
31	2	YJNM04005	NUT JAM, 1/8 A
32	14	YSKP12025	SET SCREW, SOCKET, KNURLED CUP PT, 3/8-16 X 3/8
33	4	PB87	SQUARE KEY, 3/8 X 2
34	1	G139	SQUARE KEY, 3/8 X 1-1/2
35	1	68856	SQUARE KEY, 0.38 X 0.38 X 1.25
36	1	YWFL16005	WASHER FLAT, 1/2
37	8	YBFB16400	BOLT FLANGE, 1/2 X 4 G5
38	4	YBFB16175	BOLT FLANGE, 1/2 X 1-3/4 G5
39	4	YBHH16055	BOLT HEX, 1/2-13 X 1-3/4 GR 5
40	1	YBHH24075	BOLT HEX, 3/4 X 4-1/2 GR 5

FIGURE 8 **DRIVE SHAFT & COMPONENTS**

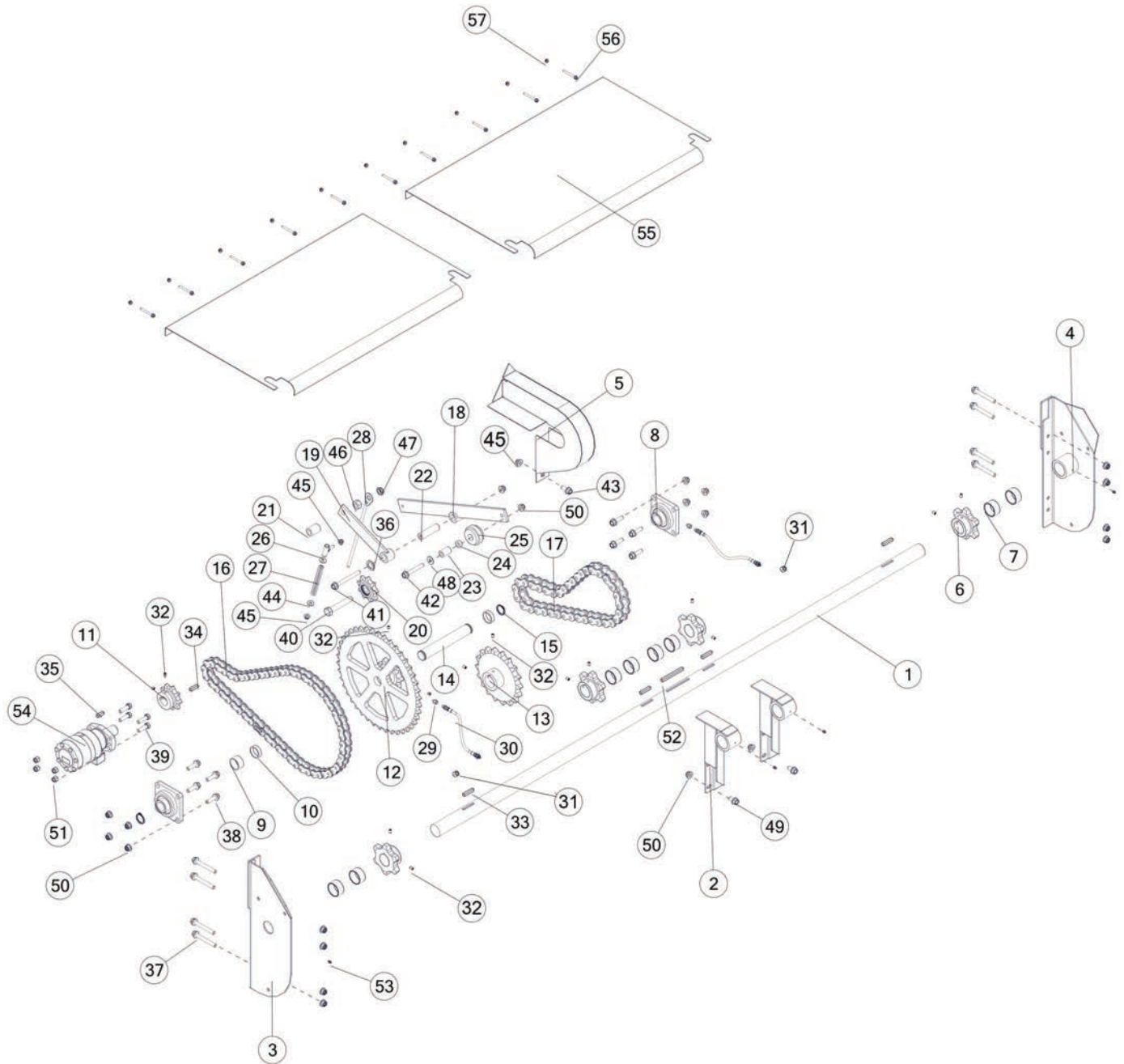


FIGURE 8

DRIVE SHAFT & COMPONENTS

<u>ITEM</u>	<u>QTY</u>	<u>PART#</u>	<u>DESCRIPTION</u>
41	1	YBFB16500	BOLT FLANGE, 1/2 X 5 G5
42	1	YBFB16350	BOLT FLANGE, 1/2 X 3-1/2 G5
43	1	YBFB12125	BOLT FLANGE, 3/8 X 1-1/4 G5
44	2	YWFL12005	WASHER, FLAT, 3/8 USS
45	3	YNFG12006	NUT FLANGE, 3/8 GF
46	1	YNHX24004	NUT HEX, 3/4-10 NA G5 ZC
47	1	YNNJ24005	NUT JAM, 3/4-10 LKNY G2 ZC
48	1	YWFL16005	WASHER FLAT, 1/2 USS
49	2	YBFB16100	BOLT FLANGE, 1/2 X 1 G5
50	17	YNFG16003	NUT FLANGE, 1/2 GF
51	4	YNNY16005	NUT HEX, 1/2-13 LKNY G2 ZC
52	1	96027	SQUARE KEY, 3/8 X 4
53	2	G89	STRAIGHT ZERK, 1/4-28
54	1	90713	HYDRAULIC MOTOR
55	2	90541	DRIVE SHAFT COVER
56	10	YBFB08250	BOLT FLANGE, 1/4 X 2-1/2
57	10	YNFG08010	NUT FLANGE, 1/4
*	1	94290	DRIVE SHAFT ASSEMBLY

FIGURE 9
APRON CHAIN

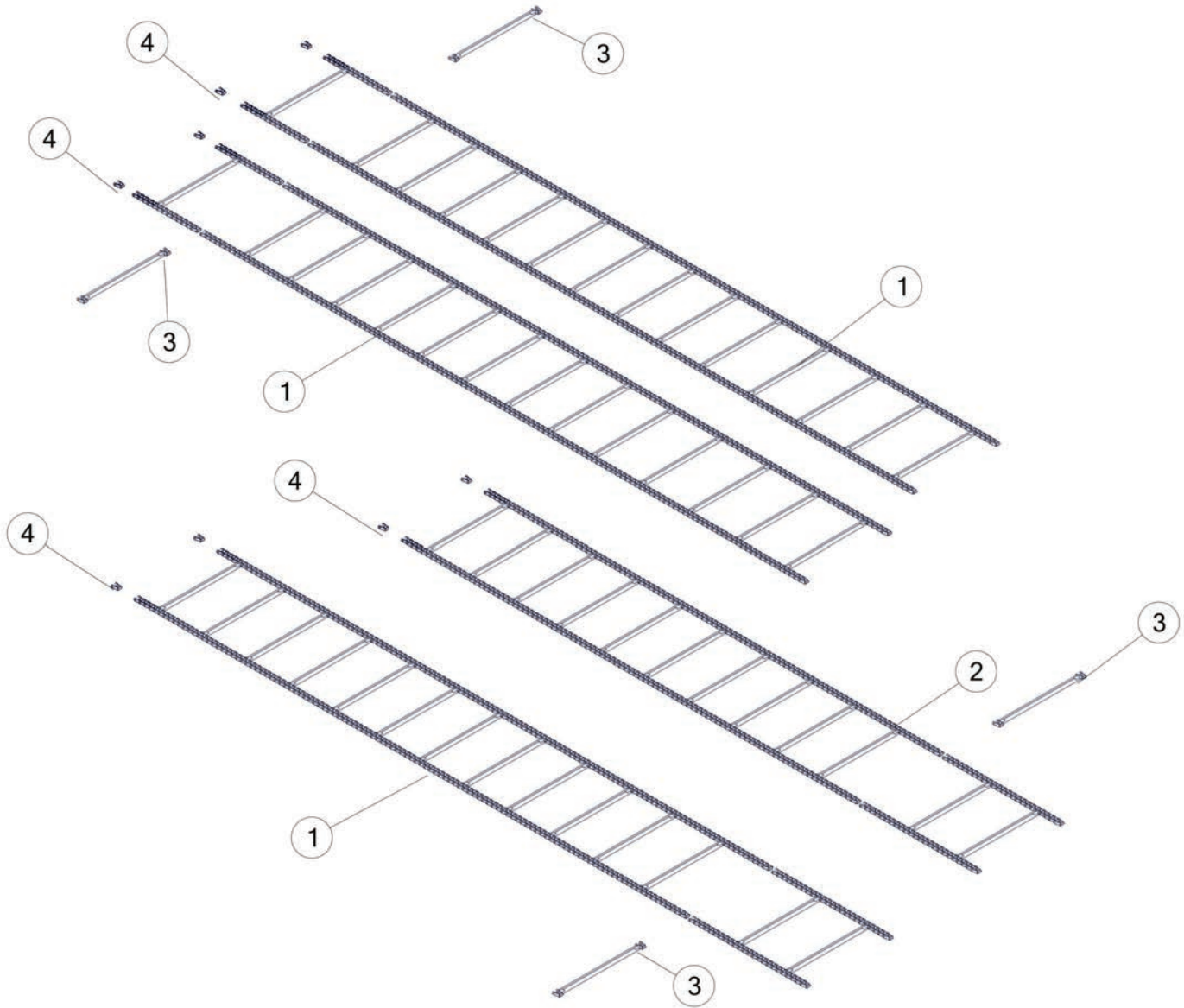


FIGURE 9
APRON CHAIN

<u>ITEM</u>	<u>QTY</u>	<u>PART#</u>	<u>DESCRIPTION</u>
1	4	L3449	APRON CHAIN, 667XH X 140
2	1	L3450	APRON CHAIN, 667XH X 119
3	58	PB177	CHAIN SLAT, 667XH X 1, W/ ATTACHMENT LINK
4	8	PB181	PNTL CHAIN, 667XH X 1, CONN LINK

FIGURE 10 HYDRAULICS

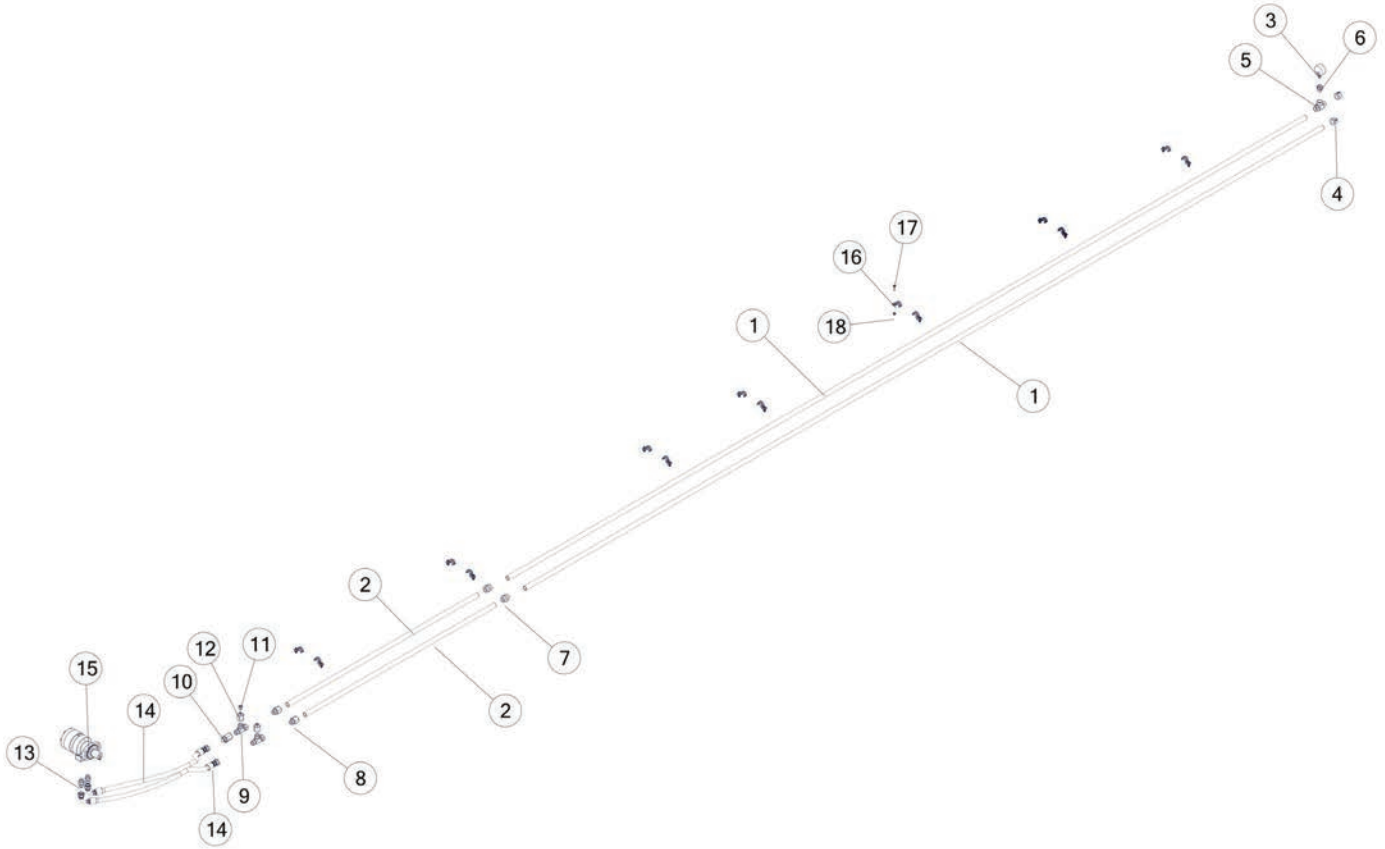


FIGURE 10 HYDRAULICS

<u>ITEM</u>	<u>QTY</u>	<u>PART#</u>	<u>DESCRIPTION</u>
1	2	90820	HYDRAULIC PIPE
2	2	90182	HYDRAULIC PIPE
3	1	BBS33	GAUGE, 4000 PSI
4	2	54565	PIPE CAP, 3/4
5	1	GM10	FITTING TEE, 3/4NPTF. 3/4 NPTF, 3/4 NPTF
6	1	GM11	REDUCER, 3/4 X 1/4 PRT
7	2	89603	3/4 BLACK COUPLING X 1-1/2
8	2	58055	FITTING ST, 12JIC, 12NPT
9	2	CHM180	FITTING TEE, 12JIC X 12JIC X 12JIC
10	1	86477	HYD VALVE, CHECK, 3/4
11	1	83114	FITTING CAP, 6JIC
12	2	86540	FITTING, STRAIGHT, 12JIC X 6JIC
13	2	GM21	FITTING STRAIGHT, 12JIC, 10ORB, STL
14	2	90216	HYDRAULIC HOSE, 10, 3
15	1	90713	HYDRAULIC MOTOR
16	14	90214	TUBE CLAMP
17	14	YBFB08100	BOLT FLANGE, 1/4 X 1 G5
18	14	YNFG08010	NUT FLANGE, 1/4 GF

FIGURE 11 LIGHTS

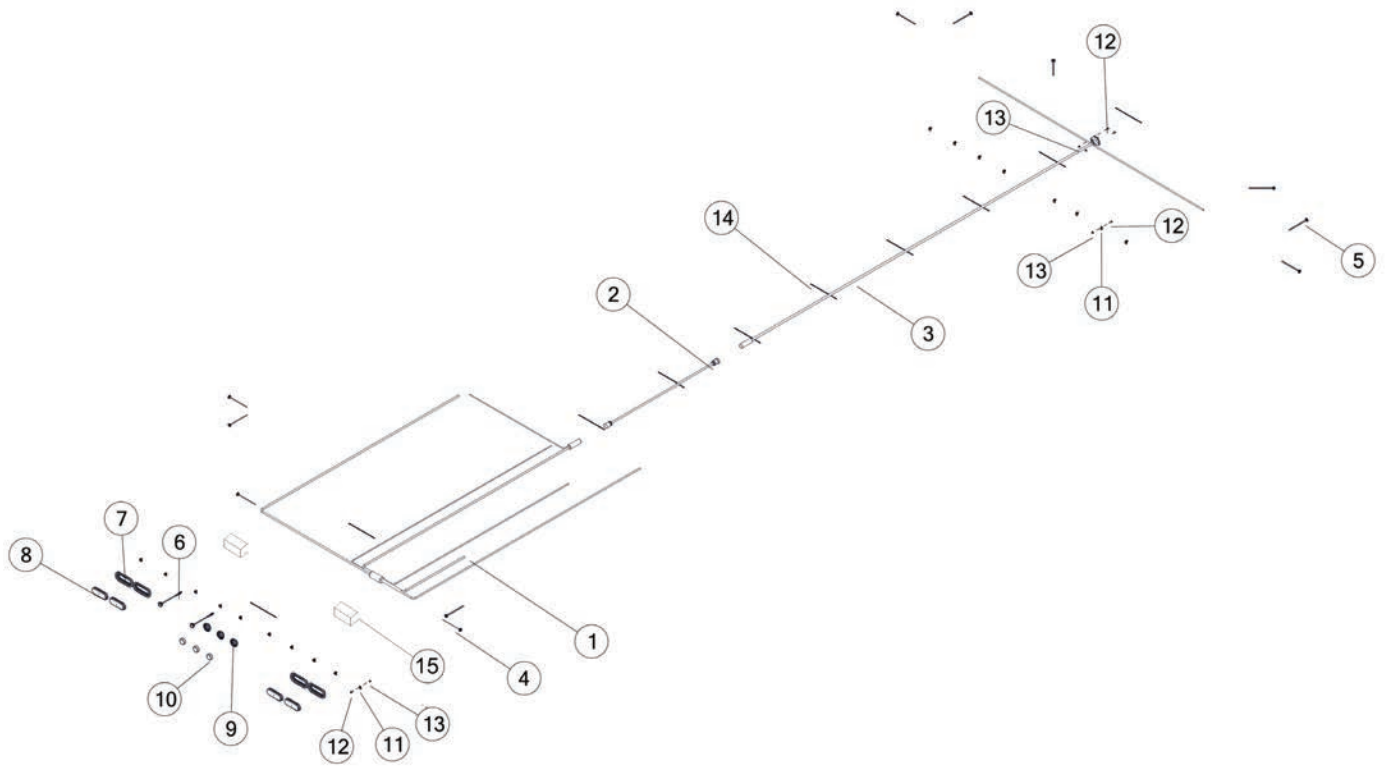


FIGURE 11 LIGHTS

<u>ITEM</u>	<u>QTY</u>	<u>PART#</u>	<u>DESCRIPTION</u>
1	1	78656	ELEC HARNESS, REAR MAIN
2	1	81670	HARNESS EXTENSION
3	1	90504	ELEC HARNESS, FRONT TRUCK
4	6	8620	RED LED LIGHT, ROUND
5	6	8033	AMBER LED LIGHT, ROUND
6	2	BBS98	LICENSE LIGHT
7	4	S308	OVAL LIGHT GROMMET
8	4	78671	RED LED LIGHT, OVAL
9	3	BBS91	ROUND LIGHT GROMMET
10	3	BBS92	MARKER LIGHT, RED ROUND
11	18	87705	CUSHION WIRE CLAMP 3/8
12	18	YBFB08075	BOLT FLANGE, 1/4 X 3/4 G5
13	18	YNFG08010	NUT FLANGE, 1/4 GF
14	10	CIZT109	ZIPTIE, 11.5 X .19 X .06
15	2	92932	PLUG, FEMALE DUMMY

FIGURE 12
OPTIONAL WBOTPD

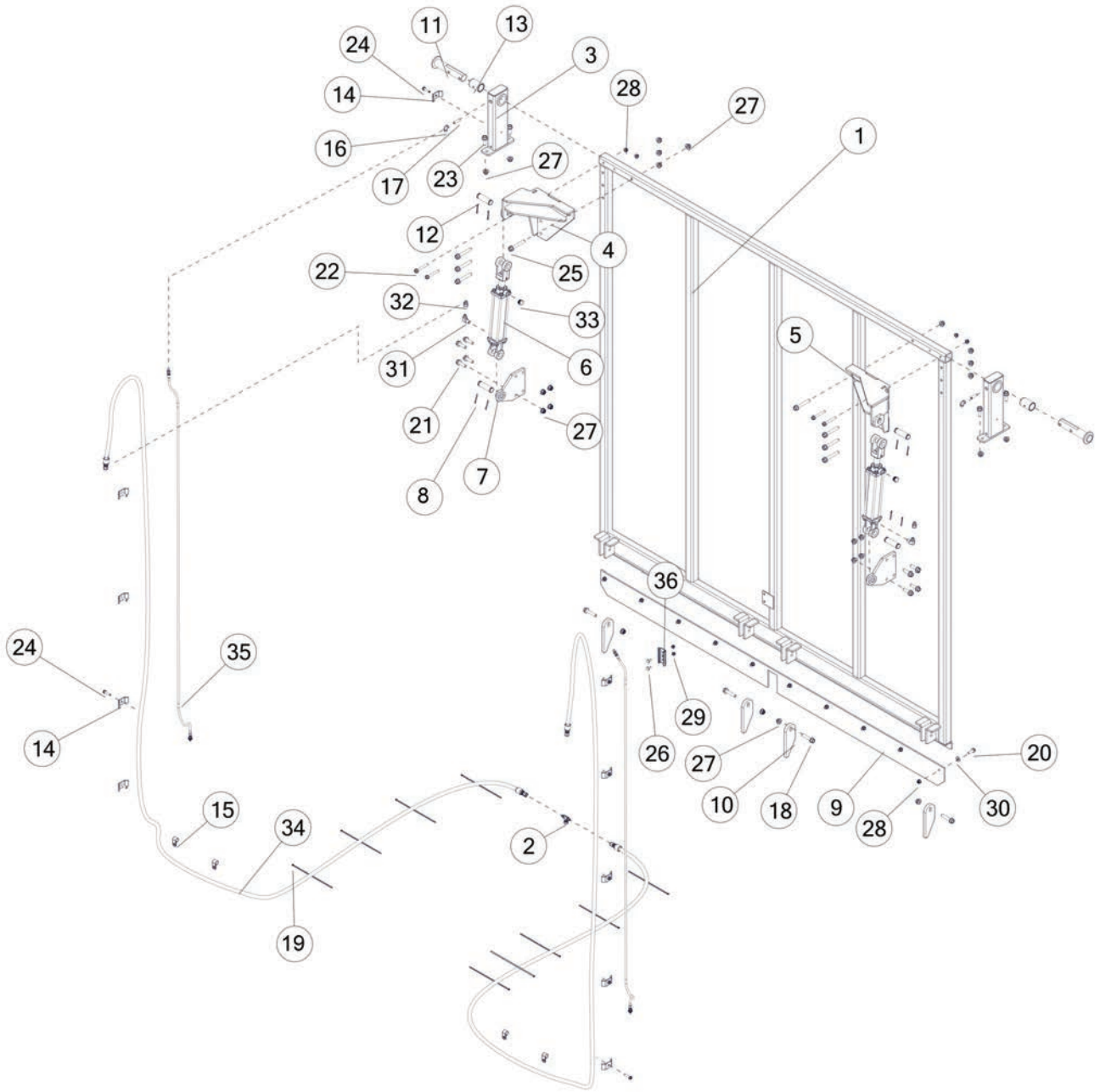


FIGURE 12

OPTIONAL WBOTPD

<u>ITEM</u>	<u>QTY</u>	<u>PART#</u>	<u>DESCRIPTION</u>
1	1	89983	DOOR
2	1	58137	FITTING T, 6JIC, 6JIC 6JIC
3	2	90679	STAKE TOP REAR ASSEMBLY
4	1	89265	UPPER GATE DELAY MOUNT, LH
5	1	89945	UPPER GATE DELAY MOUNT, RH
6	2	55999	CYLINDER, 2
*	2	56187	SEAL KIT
7	2	89267	LOWER GATE DELAY MOUNT
8	8	YPCT05010	COTTER PIN, 5/32 X 1-1/2
9	1	90014	DOOR SEAL
10	4	BBS67	LATCH
11	2	BBS64	DOOR HINGE PIN
12	4	T143	HYDRAULIC CYLINDER PIN
13	2	BBS39	BUSHING
14	10	23N67	FRONT HOSE BRACKET
15	4	HGV72	CUSHION WIRE CLAMP 3/4
16	2	90684	FITTING 90, 1/8NPT, 1/8NPT
17	2	90681	PIPE NIPPLE
18	4	YBFB16250	BOLT FLANGE, 1/2 X 2-1/2 G5
19	10	CIZT104	ZIPTIE, 11 X .18 X .05
20	10	YBFB12125	BOLT FLANGE, 3/8 X 1-1/4 G5
21	4	YBFB16175	BOLT FLANGE, 1/2 X 1-3/4 G5
22	4	YBFB12300	BOLT FLANGE, 3/8 X 3 G5
23	4	YBFB16150	BOLT FLANGE, 1/2 X 1-1/2 G5
24	10	YSHW10020	THREAD CUT SCREW, 5/16-18 X 1-1/2
25	8	YBFB16350	BOLT FLANGE, 1/2 X 3-1/2 G5
26	2	YBCR10030	BOLT CARRIAGE, 5/16-18 X 3/4 G5 ZC
27	20	YNFG16003	NUT FLANGE, 1/2 GF
28	14	YNFG12006	NUT FLANGE, 3/8 GF
29	2	YNFG10005	NUT FLANGE, 5/16 GF
30	10	YWFL12005	WASHER FLAT, 3/8 USS
31	2	CHM164	FITTING, 90, 6JIC X 3/8NPT
32	2	58144	IN-LINE CONNECTOR, ORIFICE, 6-XHX7-S .062
33	2	BFR70	VENT PLUG, 3/8
34	2	90507	HYDRAULIC HOSE, 6, 260
35	2	90729	HYD HOSE, 2, 88
36	1	F97	SMV HOLDER

FIGURE 13
OPTIONAL WBOSBDA

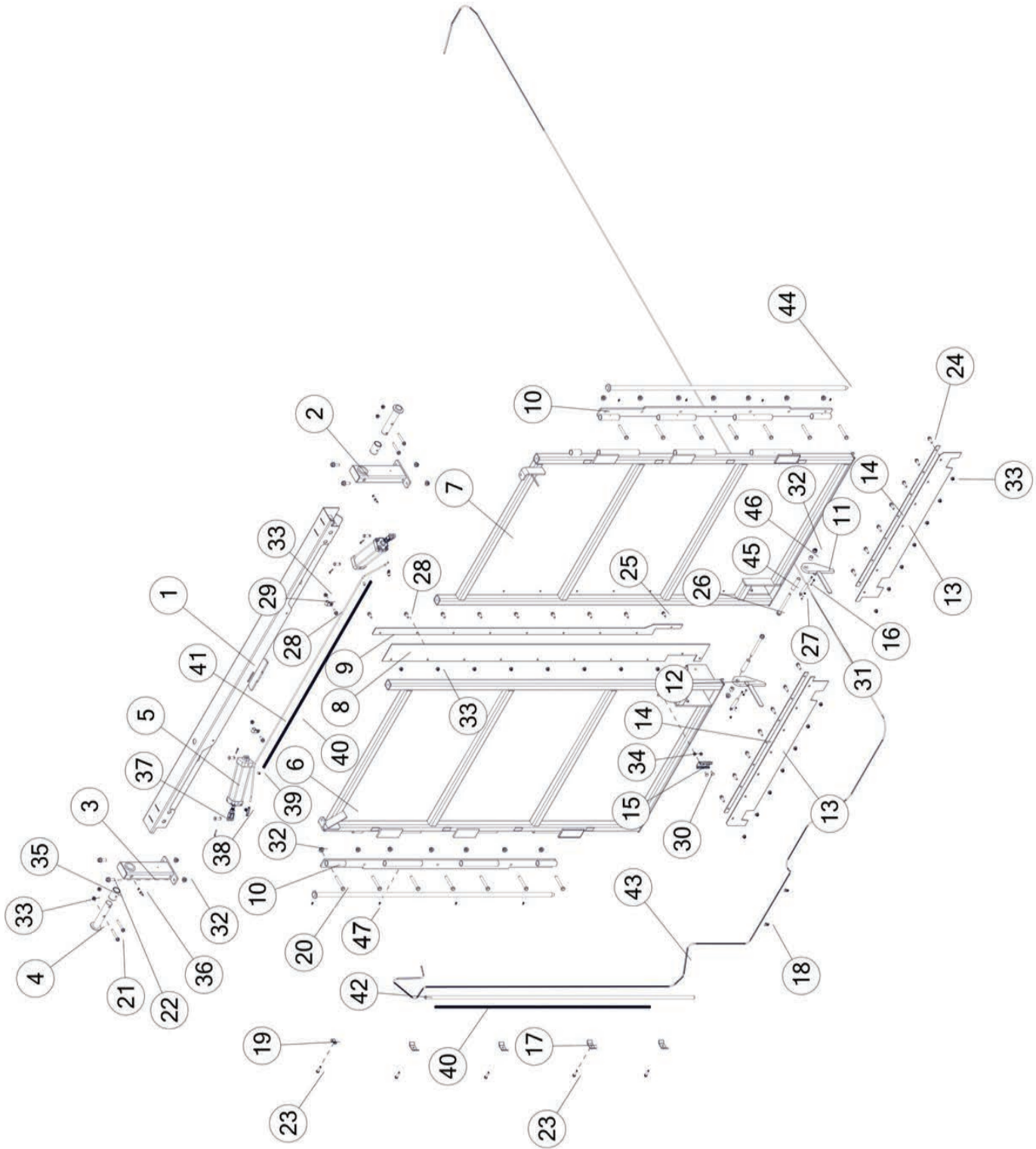


FIGURE 13

OPTIONAL WBOSBDA

<u>ITEM</u>	<u>QTY</u>	<u>PART#</u>	<u>DESCRIPTION</u>
1	1	90782	TOP CHANNEL
2	1	BBS21	STAKE TOP REAR
3	1	BBS20	STAKE TOP REAR
4	2	BBS64	DOOR HINGE PIN
5	2	GD49	AIR CYLINDER, 2-1/2 X 8
6	1	90746	LEFT DOOR
7	1	90747	RIGHT DOOR
8	1	90767	DOOR SEAL
9	1	90770	VERTICAL SEAL HOLDDOWN
10	2	82438	HINGE
11	1	0227WE08	LATCH RIGHT
12	1	0227WE07	LATCH LEFT
13	2	90759	DOOR BOTTOM BELTING
14	2	90761	LOWER SEAL HOLDDOWN
15	1	F97	SMV BRACKET
16	2	SD190	GAS STRUT
17	4	23N67	FRONT HOSE BRACKET
18	2	83052	CUSHION WIRE CLAMP 5/16
19	1	HGV162	CUSHION WIRE CLAMP 1/2
20	14	YBHH16125	BOLT HEX, 1/2 X 3-3/4 G5
21	4	YBFB12300	BOLT FLANGE, 3/8 X 3 G5
22	4	YBFB16150	BOLT FLANGE, 1/2 X 1-1/2 G5
23	5	YSHW10020	THREAD CUT SCREW, 5/16-18 X 1-1/2
24	14	YBFB12125	BOLT FLANGE, 3/8 X 1-1/4 G5
25	1	YSHW10005	HWH TCS "F", 5/16-18 X 1
26	2	YBFB16600	BOLT FLG, 1/2 X 6 G5
27	4	YSPP62075	PPHMS, #8-32 X .75
28	10	YBFB12003	BOLT FLG, 3/8 X 1 G5
29	2	HGV72	CUSHION WIRE CLAMP 3/4
30	2	YBCR10030	BOLT CARRIAGE, 5/16-18 X 3/4 G5 ZX
31	4	YNNY62005	NUT HEX, #8-32 LKNY G2 ZC
32	20	YNFG16003	NUT FLANGE, 1/2 GF
33	10	YNFG12006	NUT FLANGE, 3/8 GF
34	2	YNFG10005	NUT FLANGE, 5/16 GF
35	1	56244	BUSHING, DRIVE SHAFT
36	2	16SV26	30 DEG ZERK, 1/8 NPT X 2-3/32
37	2	56264	CLEVIS PIN AND COTTER PIN KIT
38	2	GD26	FITTING TEE, 1/4NPT
39	2	0227MS05	FITTING PLUG, 1/4NPT, ORIFICE
40	2	0227MS02	WIRE LOOM
41	1	0227MS03	CYLINDER TIE AIR LINE
42	1	90783	AIR LINE SHEILD
43	1	79792	CYLINDER SUPPLY LINE 530" (BLACK)
44	2	82449	DOOR HINGE PIN
45	2	90757	LATCH SPACER LONG
46	2	90758	LATCH SPACER SHORT
47	10	MS26	STRAIGHT ZERK, 1/4

FIGURE 14
OPTIONAL WBOSBDA2

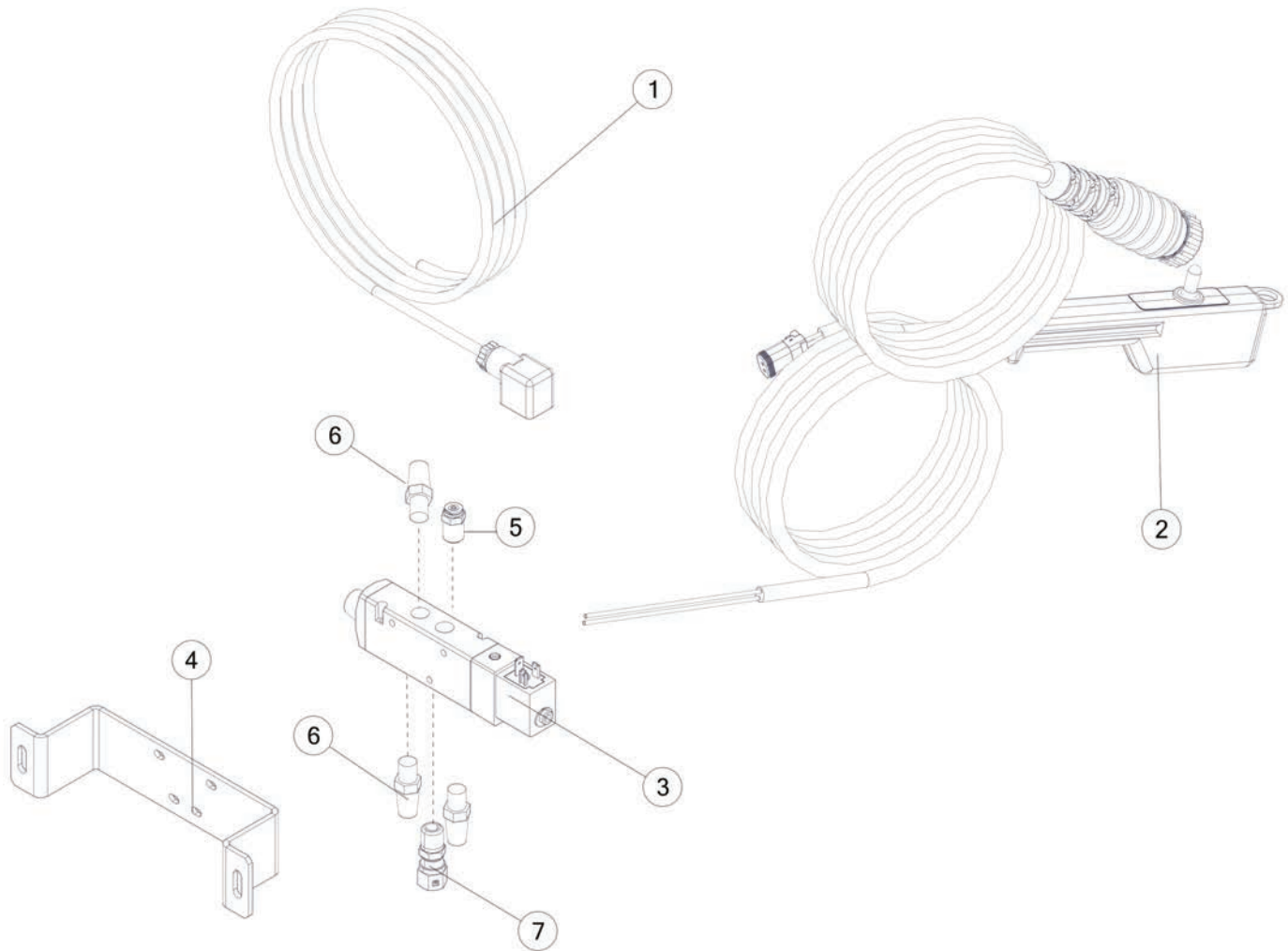


FIGURE 14
OPTIONAL WBOSBDA2

<u>ITEM</u>	<u>QTY</u>	<u>PART#</u>	<u>DESCRIPTION</u>
1	1	1093	DIN CORD
2	1	63361	HAND CONTROLLER, (ON)-OFF
3	1	8031	NORGREN VALVE 4 WAY
4	1	54510	AIR VALVE MOUNTING BRACKET
5	1	GD6	MALE COUPLER, 1/4
6	3	GD7	VENT PLUG, CONE SHAPED, 1/4
7	1	58651	DOT FITTING, 1/4 X 3/8

FIGURE 15
OPTIONAL WBOTMK

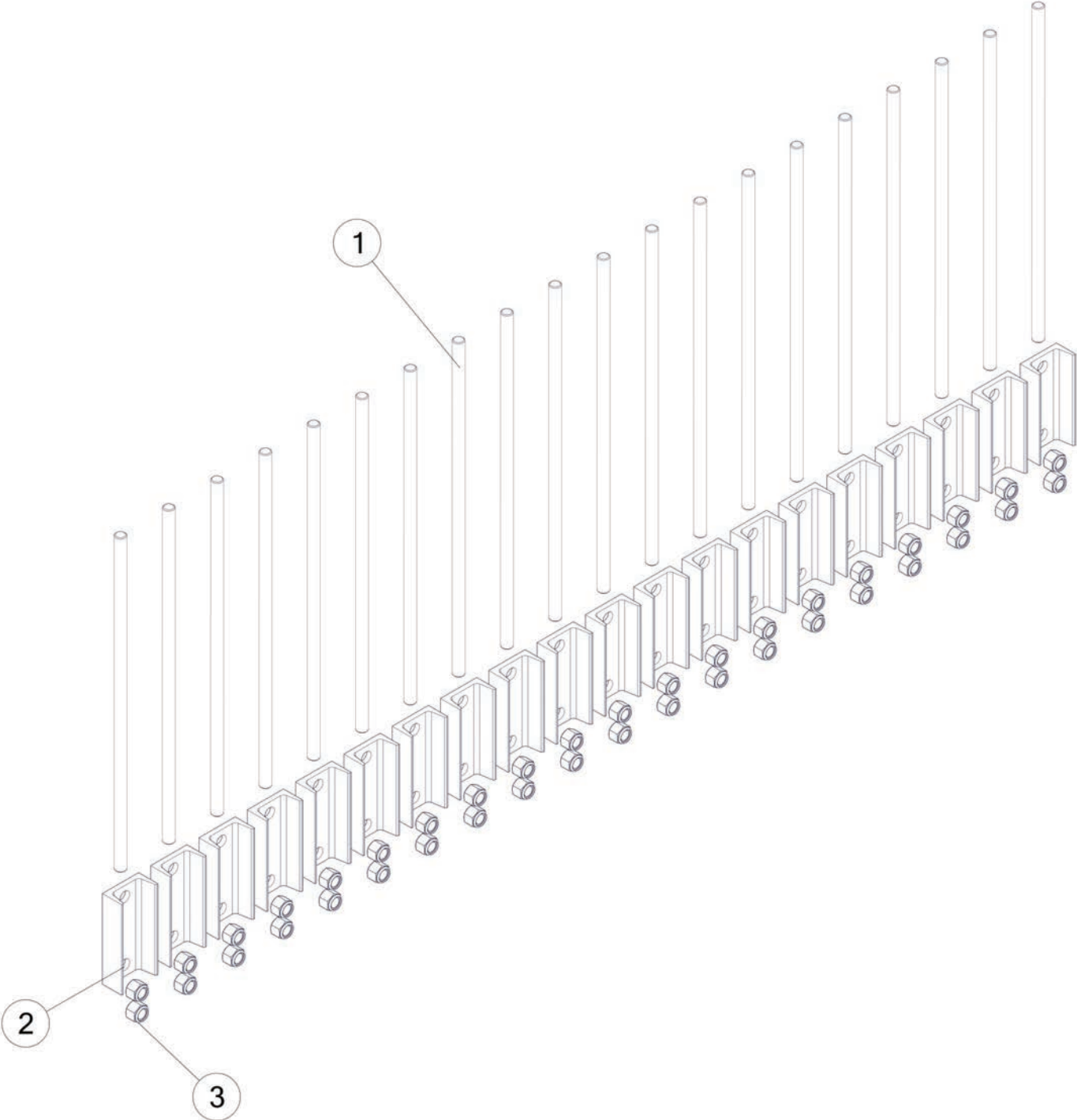


FIGURE 15
OPTIONAL WBOTMK

<u>ITEM</u>	<u>QTY</u>	<u>PART#</u>	<u>DESCRIPTION</u>
1	20	FBC6	SCR, ROD, 3/4-16 X 24 G5 ZC
2	20	69906	CHL, C, 3 X 1.52 X 6-1/2, TIE DOWN
3	40	YNNY24006	NUT HEX, 3/4-16 LKNY G2 ZC

FIGURE 16
OPTIONAL WBOCMK

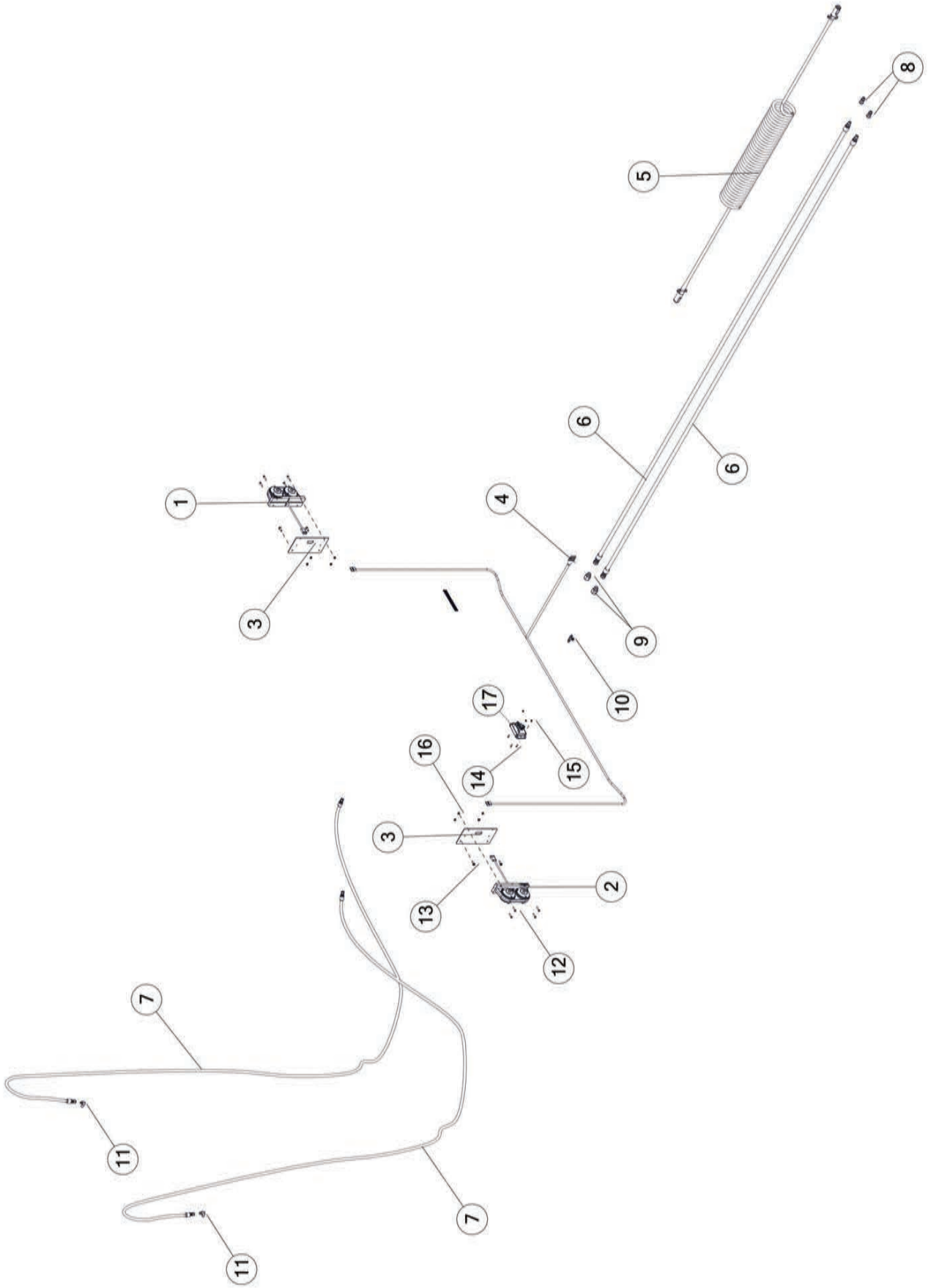


FIGURE 16
OPTIONAL WBOCMK

<u>ITEM</u>	<u>QTY</u>	<u>PART#</u>	<u>DESCRIPTION</u>
1	1	77923	TAIL LIGHT ASSY, LH
2	1	77924	TAIL LIGHT ASSY, RH
3	2	86040	LIGHT BRACKET, BOLT ON
4	1	78360	LIGHT HARNESS , REAR
5	1	TLPC7	TRANSPORT LIGHT CORD, 7 PIN
6	2	90311	HYDRAULIC HOSE, 10, 171
7	2	90507	HYDRAULIC HOSE, 6, 260
8	2	DWM205	VMI - MALE QUICK COUPLER S71-4P SAFEWAY HYD TIP
9	2	58055	FITTING ST, 12JIC 12NPT
10	1	58137	FITTING T, X JIC, X JIC, X JIC,
11	2	CHM164	FITTING, 90, 6JIC X 3/8NPT
12	8	YBHH08035	BOLT HEX, 1/4-20 X 1-1/4 G5
13	2	YSHW10005	HWH TCS "F", 5/16-18 X 1
14	3	YSPN64005	MACHINE PPHS, #10-24 X 5/8 ZINC
15	3	YNNY64005	NUT HEX, #10-24 LKNY G2 ZC
16	8	YNFG08010	NUT FLANGE, 1/4 GF
17	1	69908	MODULE, CONTROL, FLASHER

FIGURE 17 OPTIONAL WBOSBDH

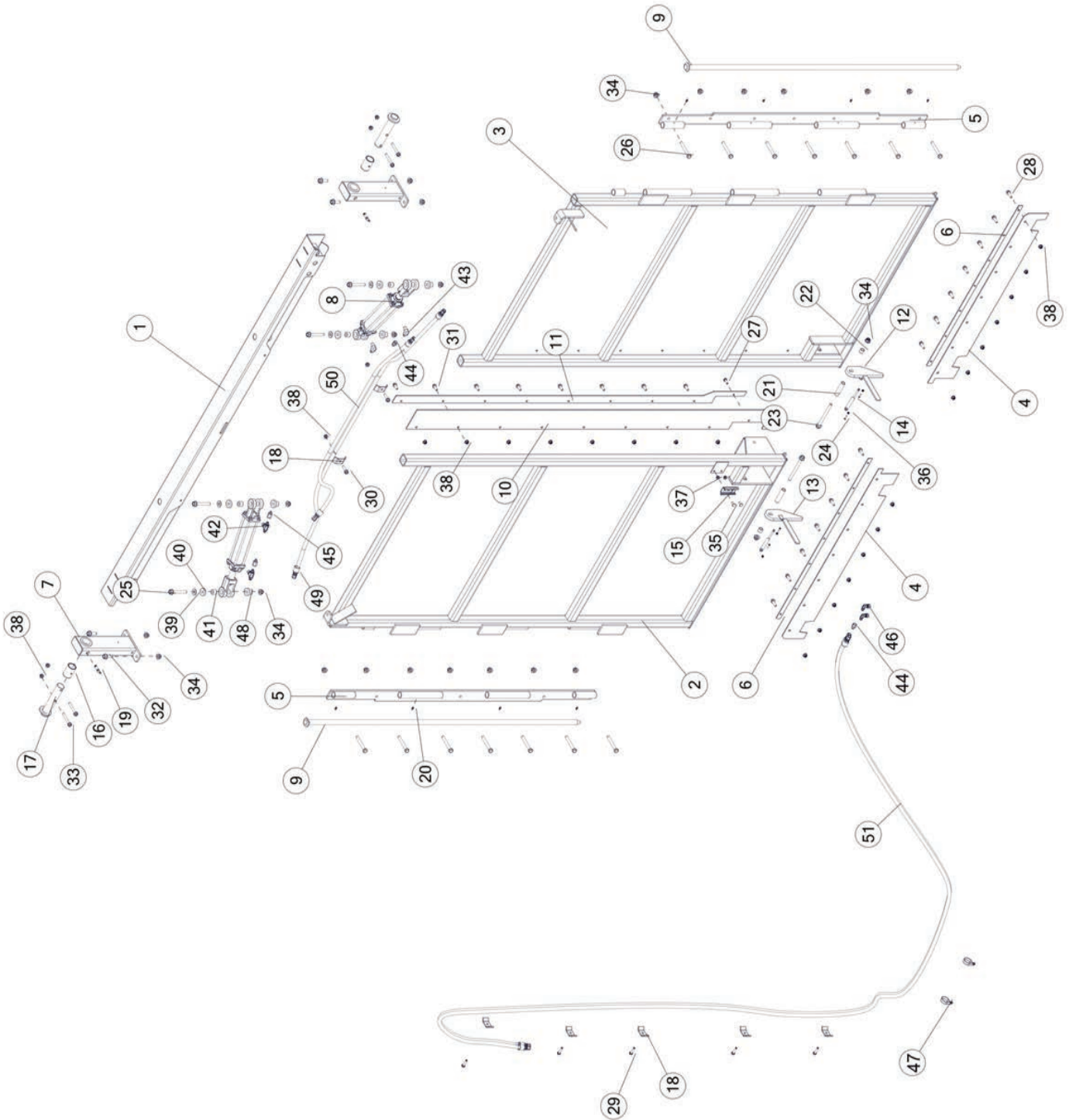


FIGURE 17

OPTIONAL WBOSBDH

<u>ITEM</u>	<u>QTY</u>	<u>PART#</u>	<u>DESCRIPTION</u>
1	1	90745	TOP CHANNEL
2	1	90746	LEFT DOOR
3	1	90747	RIGHT DOOR
4	2	90759	DOOR BOTTOM BELTING
5	2	82438	HINGE
6	2	90761	LOWER SEAL HOLDDOWN
7	2	BBS21	STAKE TOP REAR
8	2	85176	CYLINDER, 2 X 8 (3000 PSI)
*	1	23N142A	CLEVIS CAP FOR 2" CYLINDR
*	1	56174	ROD CAP FOR 2" CYLINDER
*	1	BFR68	CYLINDER TUB, 2 X 8
*	1	23N149	PLUG
*	4	T186	CYLINDER TIE ROD, 2 X 2-1/2 X 8
*	8	YNHX12006	NUT HEX, 3/8 NA G2 ZC
*	1	56180	PISTON FOR 2" CYLINDER
*	1	T184A	CYLINDER ROD
*	1	23N150A	ROD CLEVIS
*	1	YSSO12015	SET SCREW, SOCKET 3/8-24 X 3/8
*	1	23N148	PISTON NUT
*	1	56187	SEAL KIT FOR 2" CYLINDER
9	2	82449	DOOR HINGE PIN
10	1	90767	DOOR SEAL
11	1	90770	VERTICAL SEAL HOLDDOWN
12	1	93805	LATCH, RH
13	1	93806	LATCH, LH
14	2	SD190	GAS STRUT
15	1	F97	SMV BRACKET
16	2	BBS39	BRONZE BUSHING
17	2	BBS64	DOOR HINGE PIN
18	7	23N67	FRONT HOSE BRACKET
19	2	16SV26	PIPE GREASE ZERK
20	8	MS26	STRAIGHT STANDARD SHORT ZERK, 1/4
21	2	90757	LATCH SPACER LONG
22	2	90758	LATCH SPACER SHORT
23	2	YFBF16600	BOLT FLANGE, 1/2 X 6 G5
24	4	YSPP62075	PPHMS, #8-32 X 3/4
25	2	YFBF16350	BOLT FLANGE, 1/2 X 3-1/2 G5
26	14	YBHH16125	BOLT HEX, 1/2 X 3-3/4 G5
27	1	YSHW10005	HWH TCS "F", 5/16-18 X 1
28	14	YFBF12125	BOLT FLANGE, 3/8 X 1-1/4 G5
29	5	YSHW10020	THREAD CUTTING SCREW, 5/16 X 1-1/2
30	2	YFBF12150	BOLT FLANGE, 3/8 X 1-1/2 G5
31	8	YFBF12003	BOLT FLANGE, 3/8 X 1 G5
32	4	YFBF16150	BOLT FLANGE, 1/2 X 1-1/2 G5
33	4	YFBF12300	BOLT FLANGE, 3/8 X 3 G5
34	17	YNFG16003	NUT FLANGE, 1/2 GF
35	2	YBCR10030	BOLT CARRIAGE, 5/16-18 X 3/4 G5 ZC

FIGURE 17 OPTIONAL WBOSBDH

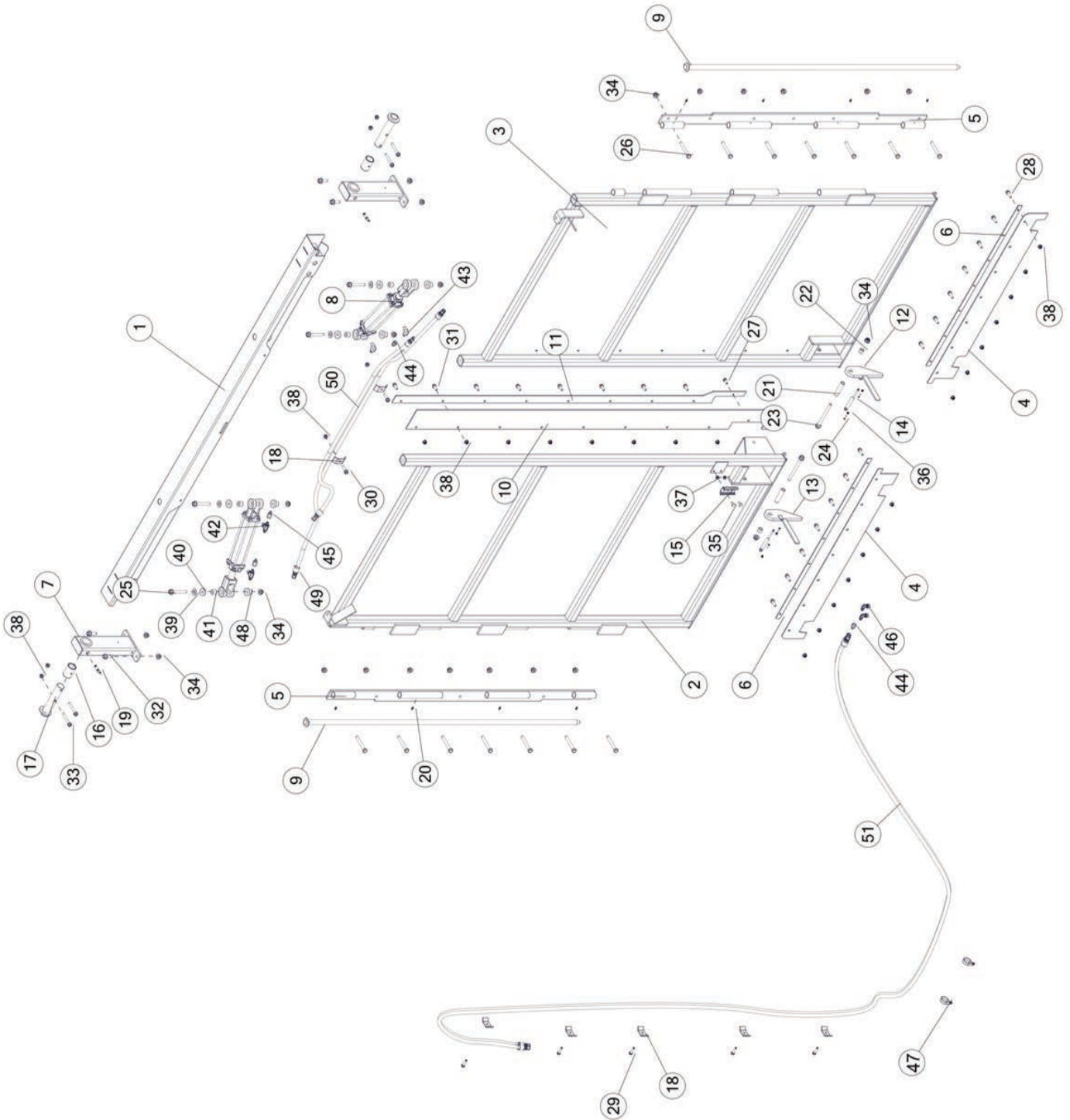


FIGURE 17
OPTIONAL WBOSBDH

<u>ITEM</u>	<u>QTY</u>	<u>PART#</u>	<u>DESCRIPTION</u>
36	4	YNNY62005	NUT HEX, #8-32 LKNY G2 ZC
37	2	YNFG10005	NUT FLANGE, 5/16 GF
38	10	YNFG12006	NUT FLANGE, 3/8 GF
39	4	YWFL16005	WASHER, FLAT 1/2 USS
40	4	84589	CYLINDER SPACER
41	4	BFR282	BELL CRANK BUSHING
42	2	90777	FITTING T, 6JIC, 6JIC, 3/8NPT
43	2	CHM164	FITTING, 90, 6JIC X 3/8NPT
44	2	58143	FITTING, 06-06 M/F ORIFICE, 0.047
45	1	90780	FITTING, STRAIGHT, 6JIC X 4JIC
46	1	58127	FITTING 90, 3/8 JIC, 3/8 JIC
47	2	1016	CUSHION WIRE CLAMP 1-1/2
48	4	82809	BUSHING, HYDRAULIC BARN DOOR
49	1	90817	HYDRAULIC HOSE, 6, 80
50	1	90818	HYDRAULIC HOSE, 6, 58
51	2	90507	HYDRAULIC HOSE, 6, 260

FIGURE 18
OPTIONAL MUD FLAP KIT FOR WBCT8230

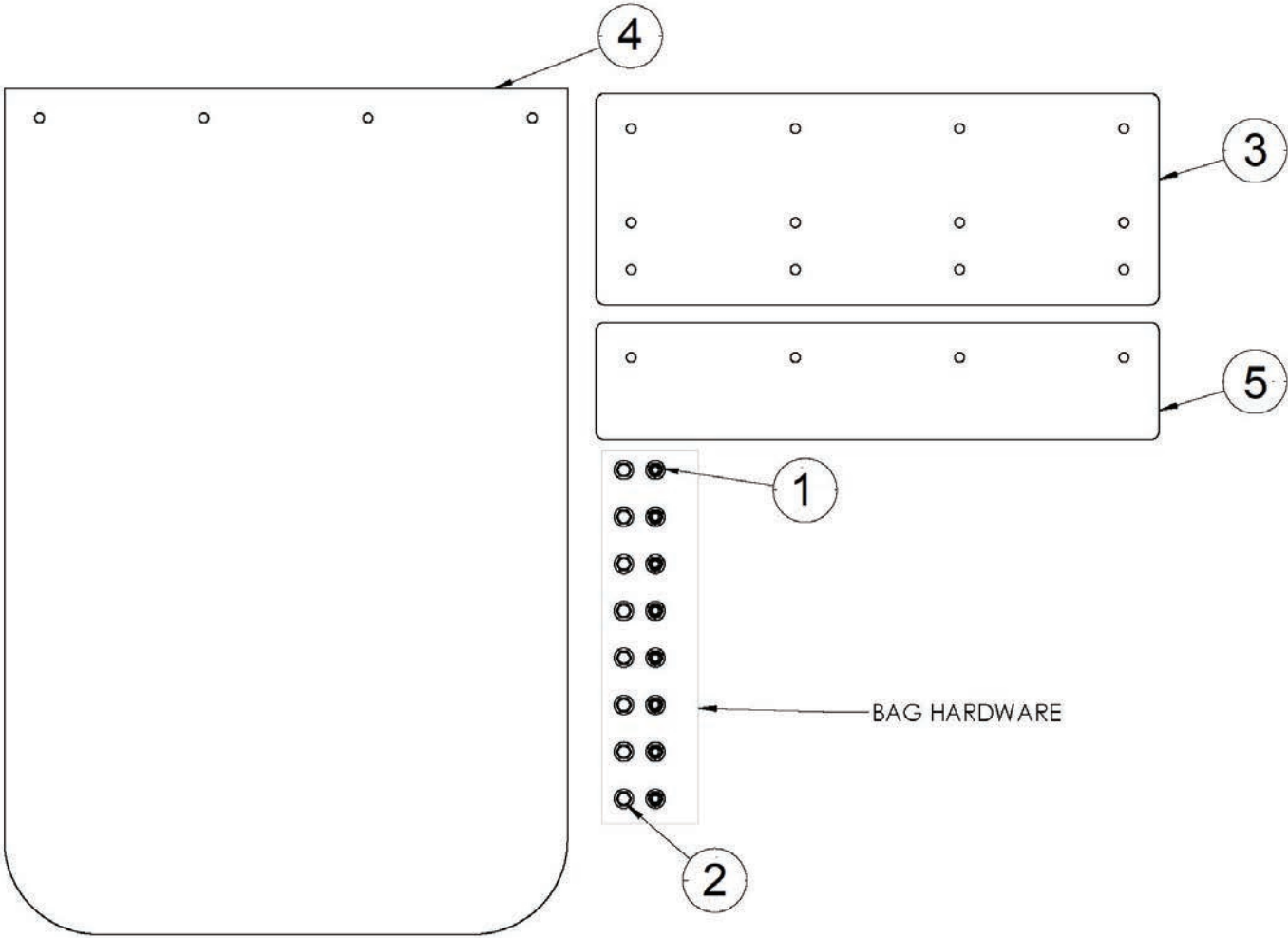


FIGURE 18
OPTIONAL MUD FLAP KIT FOR WBCT8230

<u>ITEM</u>	<u>QTY</u>	<u>PART#</u>	<u>DESCRIPTION</u>
1	8	YNFG12006	NUT FLANGE, 3/8 GF
2	8	YBFB12003	BOLT FLANGE, 3/8 X 1 G5
3	1	85463	MUD FLAP EXTENTSION BRACKET
4	1	8034	MUD FLAP, 24 X 36
5	1	BBST6G09	MUD FLAP BRACKET

FIGURE 19
TOP PIVOT REAR DOOR
W/HYD GATE DELAY WBCT8230

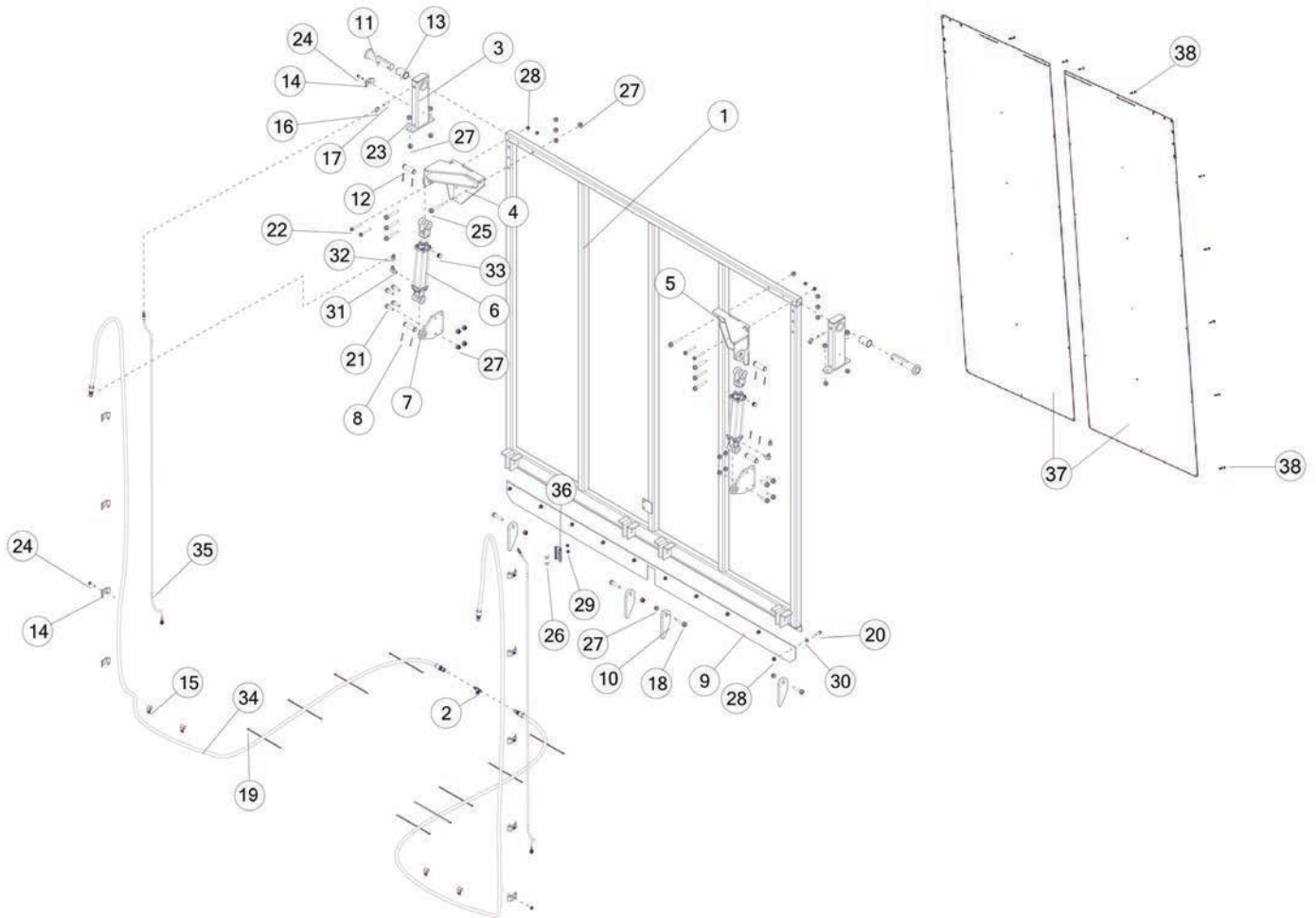


FIGURE 19
TOP PIVOT REAR DOOR
W/HYD GATE DELAY WBCT8230

<u>ITEM</u>	<u>QTY</u>	<u>PART#</u>	<u>DESCRIPTION</u>
1	1	94506	DOOR
2	1	58137	FITTING T, 6JIC, 6JIC 6JIC
3	2	94542	STAKE TOP REAR ASSEMBLY
4	1	89265	UPPER GATE DELAY MOUNT, LH
5	1	89945	UPPER GATE DELAY MOUNT, RH
6	2	55999	CYLINDER, 2 X 8
*	2	56187	SEAL KIT
7	2	89267	LOWER GATE DELAY MOUNT
8	8	YPCT05010	COTTER PIN, 5/32 X 1-1/2
9	1	90014	DOOR SEAL
10	4	BBS67	LATCH
11	2	BBS64	DOOR HINGE PIN
12	4	T143	HYDRAULIC CYLINDER PIN
13	2	BBS39	BUSHING
14	10	23N67	FRONT HOSE BRACKET
15	4	HGV72	CUSHION WIRE CLAMP 3/4
16	2	90684	FITTING 90, 1/8NPT, 1/8NPT
17	2	90681	PIPE NIPPLE
18	4	YBFB16250	BOLT FLANGE, 1/2 X 2-1/2 G5
19	10	CIZT104	ZIPTIE, 11 X .18 X .05
20	10	YBFB12125	BOLT FLANGE, 3/8 X 1-1/4 G5
21	4	YBFB16175	BOLT FLANGE, 1/2 X 1-3/4 G5
22	4	YBFB12300	BOLT FLANGE, 3/8 X 3 G5
23	4	YBFB16150	BOLT FLANGE, 1/2 X 1-1/2 G5
24	10	YSHW10020	THREAD CUT SCREW, 5/16-18 X 1-1/2
25	8	YBFB16350	BOLT FLANGE, 1/2 X 3-1/2 G5
26	2	YBCR10030	BOLT CARRIAGE, 5/16-18 X 3/4 G5 ZC
27	20	YNFG16003	NUT FLANGE, 1/2 GF
28	14	YNFG12006	NUT FLANGE, 3/8 GF
29	2	YNFG10005	NUT FLANGE, 5/16 GF
30	10	YWFL12005	WASHER FLAT, 3/8 USS
31	2	CHM164	FITTING, 90, 6JIC X 3/8NPT
32	2	58144	IN-LINE CONNECTOR, ORIFICE, 6-XHX7-S .062
33	2	BFR70	VENT PLUG, 3/8
34	2	90507	HYDRAULIC HOSE, 6, 260
35	2	90729	HYD HOSE, 2, 88
36	1	F97	SMV HOLDER
37	2	94557	PANEL, DOOR
38	34	YSDR66008	SELF DRILL SCR, HEX WAS HD, #12-24 X 1-1/4

PARTS NOTES

CHANGE NOTES

H&S MFG. CO.
products approved
for the
FEMA
SEAL OF QUALITY



Manufactured by:
H&S MANUFACTURING CO., INC.
2608 S. HUME AVE. MARSHFIELD, WI 54449
(715) 387-3414 | hsmfgco.com

